

HP4883

-UN-01JAN94



JOHN DEERE 9600 MAXIMIZER™ COMBINE WITH 900 SERIES CUTTING PLATFORM

(1989-)

(SPECIFICATIONS AND DESIGN SUBJECT TO CHANGE WITHOUT NOTICE)

NOTE

FOR 900 SERIES PLATFORM PARTS INFORMATION, REFER TO JOHN DEERE 900 SERIES PLATFORM PARTS CATALOG - PC-2104.

FOR 40 SERIES CORN HEAD PARTS INFORMATION, REFER TO JOHN DEERE 40 SERIES CORN HEAD PARTS CATALOG - PC-1223.

FOR 50A SERIES ROW-CROP HEAD PARTS INFORMATION, REFER TO JOHN DEERE 50A SERIES ROW-CROP HEAD PARTS CATALOG - PC-1747.

FOR THREE-ROLLER BELT PICKUP PARTS INFORMATION, REFER TO JOHN DEERE THREE-ROLLER BELT PICKUP PARTS CATALOG - PC-2210.

FOR 918 AND 920 DRAPER PARTS INFORMATION, REFER TO JOHN DEERE 918 AND 920 DRAPER PLATFORMS PARTS CATALOG - PC-2212.

FOR 90 SERIES CORN HEAD PARTS INFORMATION, REFER TO JOHN DEERE 90 SERIES CORN HEAD PARTS CATALOG - PC-2404.

IMPORTANT

THIS PARTS CATALOG CONTAINS PARTS INFORMATION FOR THE 9600 MAXIMIZER™ COMBINE. VINTAGE IS DETERMINED BY THE COMBINE SERIAL NUMBER OR THE PRODUCT IDENTIFICATION NUMBER (PIN). IT IS IMPORTANT THAT THE CORRECT NUMBERS BE USED WHEN ORDERING PARTS.

PRODUCT INFORMATION NUMBER (PIN) PLATE

THE PRODUCT IDENTIFICATION PLATE (PIN) IS LOCATED NEAR THE RIGHT-HAND SIDE OF THE TOOL BOX.
AN EXAMPLE OF THE TWO-LINES ON THIS PIN PLATE IS:

HO9600X640301
COMBINE

(FIRST LINE)

HO - MANUFACTURING UNIT (HARVESTER WORKS)

9600 - MODEL IDENTIFIER

X - CONFIGURATION CODE/MODEL IDENTIFIER SUFFIX

640301 - SEQUENTIAL NUMBER USED IN SERIAL NO. COLUMN

(SECOND LINE)

COMBINE - TYPE OF PRODUCT

COPYRIGHT (C) 2000. DEERE & COMPANY. MOLINE, ILLINOIS. ALL RIGHTS RESERVED.

THE ENGINE SERIAL NUMBER IS LOCATED ON THE RIGHT-HAND SIDE OF THE ENGINE BLOCK.

9600 STANDARD ENGINE 190 HP

HP4064 -UN-01JAN94

HP4064 1 2 3 4 5 6 7
 ┆ ┆ ┆ ┆ ┆ ┆ ┆
 6 076 T H 001 111337 RG

1. NUMBER OF CYLINDERS -6-
2. LITRE DISPLACEMENT -076-
3. TYPE OF AIR INTAKE -T-
4. FACTORY USER -H- HARVESTER
5. ENGINE VERSION (FIRST) -001-
6. ENGINE SERIAL NUMBER -113337-
7. ENGINE MANUFACTURER -RG- JOHN DEERE ENGINE WORKS

9600 OPTIONAL ENGINE 253 HP

HP4065 -UN-01JAN94

HP4065 1 2 3 4 5 6 7
 ┆ ┆ ┆ ┆ ┆ ┆ ┆
 6 076 H H 001 111839 RG

1. NUMBER OF CYLINDERS -6-
2. LITRE DISPLACEMENT -076-
3. TYPE OF AIR INTAKE -H- TURBO / AIR TO AIR AFTER COOLED
4. FACTORY USER -H- HARVESTER
5. ENGINE VERSION (FIRST) -001-
6. ENGINE SERIAL NUMBER -111839-
7. ENGINE MANUFACTURER -RG- JOHN DEERE ENGINE WORKS

PARTS LISTING INFORMATION

SERIAL NUMBER OR PRODUCT IDENTIFICATION NUMBER (PIN) INFORMATION SHOWS ON WHICH MACHINES PART MAY BE USED; FOR EXAMPLE:

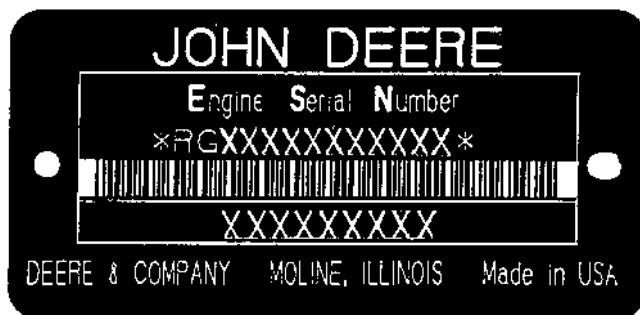
- THE PART CAN BE USED ON ALL MACHINES.
- 000000 THE PART CAN BE USED ON ALL MACHINES UP TO AND INCLUDING THE SERIAL NUMBER LISTED.
- 000000- THE PART CAN BE USED ON ALL MACHINES BEGINNING WITH THE SERIAL NUMBER LISTED.
- 000000-000000 THE PART CAN BE USED ON ALL MACHINES BETWEEN AND INCLUDING SERIAL NUMBERS LISTED.

WHEN XXXXXX'S ARE LISTED IN PLACE OF A SERIAL NUMBER, A SERIAL NUMBER CHANGE WAS MADE, BUT THE EXACT SERIAL NUMBER WAS NOT AVAILABLE WHEN THE CATALOG WAS PRINTED.

SHORT BLOCK SERIAL NUMBER PLATE

(-RGSB076882500)

RGP3513 -UN-01JAN94



RGP3513

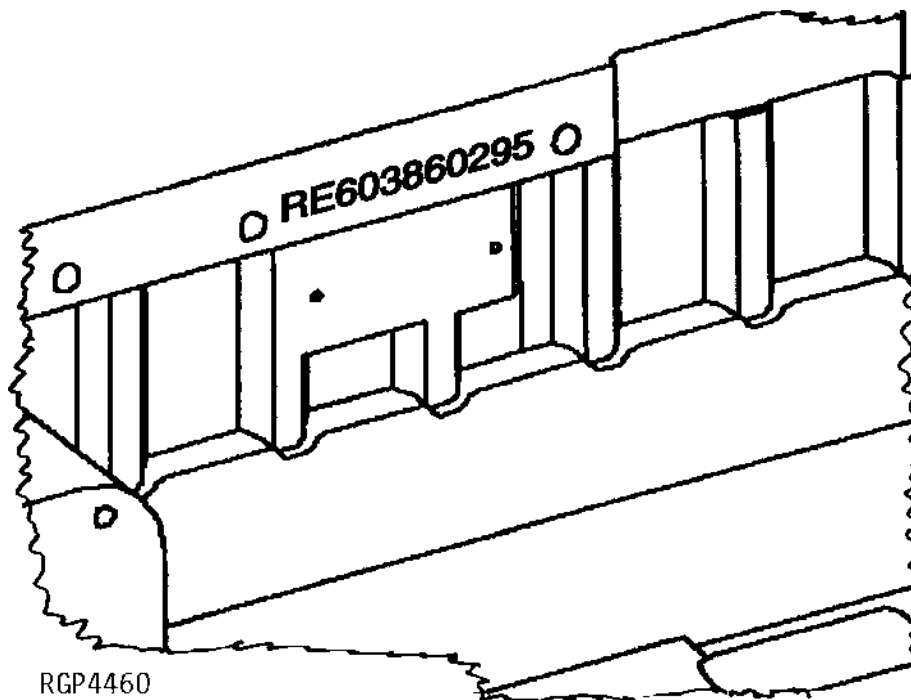
THE REPLACEMENT SHORT BLOCK ASSEMBLY HAS A SERIAL NUMBER PLATE ATTACHED. THE ORIGINAL ENGINE SERIAL NUMBER MUST BE STAMPED ONTO THE NEW PLATE IN THE BLANK SPACE PROVIDED, AS A REFERENCE FOR YOUR DEALER. THE PLATE CAN BE ATTACHED WITH (2) 37H44 DRIVE SCREWS.

- | | |
|---------------------------------------|----------------------------|
| 1. DESIGNATES ENGINE MANUFACTURER | RG - WATERLOO ENGINE WORKS |
| 2. DESIGNATES REPLACEMENT SHORT BLOCK | SB |
| 3. DESIGNATES LITERS | XXX- 076 (7.6) |
| 4. DESIGNATES THE PRODUCTION DATE | 8825 |
| 5. DESIGNATES COMPONENT SEQUENCE | 00 |

SHORT BLOCK SERIAL NUMBER IDENTIFICATION

(RE603860295-)

RGP4460 -UN-04MAR95



SERIAL NUMBER STAMPED INTO CASTING OF BLOCK NEAR PREVIOUS SERIAL NUMBER PLATE.

EXAMPLE: RE603860295

- | | |
|-----------------------------------|---------|
| 1. DESIGNATES SERVICE PART NUMBER | RE60386 |
| 2. DESIGNATES MONTH ASSEMBLED | 02 |
| 3. DESIGNATES YEAR ASSEMBLED | 95 |

1A8

9600 MAXIMIZER COMBINE

TWO LINE BAR CODED ENGINE SERIAL NUMBER PLATE AND ADDITIONAL ENGINE INFORMATION (LOCATED ON FUEL INJECTION PUMP SIDE OF ENGINE)

RGP3513 -UN-01JAN94



RGP3513

FIRST LINE

DEFINES

RG - WATERLOO ENGINE WORKS

DESIGNATES ENGINE MANUFACTURER.

6

DESIGNATES NUMBER OF CYLINDERS.

076 (7.6 LITERS)

DESIGNATES LITER DISPLACEMENT.

T - TURBOCHARGED

OR

H - AIR-TO-AIR

XXXXXX

DESIGNATES ENGINE SERIAL NUMBER.

SECOND LINE

6076XXXXX

DESIGNATES ENGINE APPLICATION

ADDITIONAL ENGINE INFORMATION

| ENGINE MODEL | ENGINE SERIAL NO. | APPLICATION |
|----------------------|-------------------|---------------------------------|
| 6076HH030 (260 H.P.) | (500000-565536) | (9600 OPT ENGINE) (DOMESTIC) |
| 6076HH030 (260 H.P.) | (565537-) | (9600 OPT ENGINE) (EXPORT ONLY) |
| 6076HH034 (260 H.P.) | (565537-) | (9600 OPT ENGINE) (DOMESTIC) |
| 6076HH035 (218 H.P.) | (565943-) | (9600 STD ENGINE) |

DIRECTION ARROW

ARROWS ARE USED WITH ILLUSTRATIONS TO INDICATE THE FRONT OF THE UNIT. "RIGHT-HAND" AND "LEFT-HAND" SIDES ARE DETERMINED BY FACING IN THE DIRECTION OF MACHINE FORWARD TRAVEL.

BOX-ENCLOSED ILLUSTRATIONS

A KEY NUMBER, SHOWN IN THE PARTS LIST, IS ASSIGNED TO A BOX ENCLOSING ALL PARTS SOLD AS A SERVICE ASSEMBLY. A BOX NOT KEYED INCLUDES NON-CURRENT PARTS.

KITS

KIT INFORMATION WILL BE FOUND IMMEDIATELY FOLLOWING THE STORY IN WHICH IT IS USED. THE ILLUSTRATION IS REPEATED WITH ONLY THE KIT PARTS CALLED OUT AND WITH ALL OTHER PARTS SHOWN IN PHANTOM.

JDM REMANUFACTURED COMPONENTS

THE SERVICE PARTS LISTED IN THIS CATALOG ARE INTENDED FOR THE REPAIR OF ORIGINAL EQUIPMENT COMPONENTS. ALTHOUGH MOST SERVICE PARTS MAY BE USED TO REPAIR REMANUFACTURED COMPONENTS, THE REMANUFACTURED DESIGN MAY CHANGE PARTS SUFFICIENTLY SO THAT SERVICE PARTS ARE INADEQUATE OR NOT USABLE.

BOLT AND CAP SCREW STRENGTH IDENTIFICATION

BOLTS AND CAP SCREWS REQUIRED TO HAVE HIGH-STRENGTH QUALITIES EQUIVALENT TO SAE GRADE 8 ARE IDENTIFIED THROUGHOUT THIS CATALOG BY THE DESCRIPTION HS SAE 8. ALL STANDARD BOLTS AND CAP SCREWS ARE SAE GRADE 5 OR LOWER. BOLTS AND CAP SCREWS REQUIRED TO HAVE HIGH-STRENGTH QUALITIES EQUIVALENT TO PROPERTY CLASS 10.9 ARE IDENTIFIED THROUGHOUT THIS CATALOG BY HS 10.9. ALL STANDARD BOLTS AND CAP SCREWS ARE PROPERTY CLASS 8.8 OR LOWER.

SI UNITS OF MEASURE

METRIC DIMENSIONS ARE GIVEN, WHERE APPLICABLE, THROUGHOUT THIS PARTS CATALOG.

TRADEMARKS

THROUGHOUT THIS PARTS CATALOG, YOU WILL FIND THE FOLLOWING DEERE & COMPANY TRADEMARKS:

DIAL-A-SPEED™
DIAL-A-MATIC™
HARVESTRAK™
CONTOUR MASTER™

POSI-TORQ™
TORQ-GARD SUPREME®
QUIK-TATCH™

CHANGE INDICATOR LINE

CHANGES AFFECTING THE ORDERING OF PARTS ARE IDENTIFIED BY VERTICAL LINES MARKED IN THE LEFT-HAND MARGIN OF REVISED PARTS LISTING IMAGES. A LINE IS ALSO AT THE LEFT-HAND EDGE OF THE SAME PART NUMBER IN THE NUMERICAL INDEX TO SHOW THE LOCATION OF REVISED INFORMATION.

FUNCTION CODE

(EXAMPLE - FC: 5000)

FUNCTION CODES ARE LOCATED ON EACH PAGE IN THE UPPER RIGHT-HAND CORNER IN THE BOX. THE CODE LISTED IS A GROUPING CODE THAT CAN BE USED FOR WARRANTIES AND FOR DTAC TO IDENTIFY CERTAIN AREAS.

COMPLETE GOODS LISTINGS

COMPLETE GOODS ARE IN BOLD FACE TYPE. ORDER SEPARATELY. DO NOT INCLUDE ON REPLACEMENT PARTS ORDER.

FOR INDIVIDUAL HEADER PARTS CATALOGS REFER TO:

PC-2104 - PARTS CATALOG FOR JOHN DEERE 900 SERIES PLATFORMS

PC-2210 - PARTS CATALOG FOR JOHN DEERE THREE ROLLER BELT PICK-UP

PC-2212 - PARTS CATALOG FOR JOHN DEERE 918 AND 920 DRAPER PLATFORMS

PC-1747 - PARTS CATALOG FOR JOHN DEERE 50A SERIES ROW-CROP HEADS

PC-1223 - PARTS CATALOG FOR JOHN DEERE 40 SERIES CORN HEADS

PC-2404 - PARTS CATALOG FOR JOHN DEERE 90 SERIES CORN HEADS

SECTION INDEX

- SECTION 10 - GENERAL INFORMATION
- SECTION 20 - ENGINE FAN, INTERCOOLER AND SCREENS
- SECTION 25 - 6076 ENGINE (SERIAL NUMBER -499999)
- SECTION 26 - 6076 ENGINE (SERIAL NUMBER 500000-)
- SECTION 30 - FUEL AND AIR
- SECTION 40 - ELECTRICAL
- SECTION 50 - POWER TRAIN
- SECTION 60 - STEERING AND BRAKES
- SECTION 70 - HYDRAULICS
- SECTION 80 - SEPARATOR SHELL
- SECTION 90 - OPERATOR'S STATION
- SECTION 110 - FEEDER HOUSE
- SECTION 120 - THRESHING AND SEPARATION
- SECTION 121 - DRIVES
- SECTION 125 - RESIDUE DISPOSAL
- SECTION 130 - CLEAN GRAIN ELEVATOR, GRAIN TANK AND UNLOADING AUGER
- SECTION 160 - DIAL-A-MATIC HEADER HEIGHT CONTROL
- SECTION 170 - DECALS, BELTS AND CHAINS
- SECTION 180 - NUMERICAL INDEX

ALPHABETICAL INDEX

| GRID | A | PAGE | GRID | PAGE |
|------|---|----------|------|--|
| 6F10 | A/C COMPRESSOR HARDWARE (650301-) R134A | 90 - 94 | 6E1 | AIR SEAT SUSPENSION KITS (665301-)..... 90 - 58 |
| 1C15 | A/C CONDENSER, AIR INTER COOLER AND RADIATOR WITH OIL COOLER | 20 - 22 | 6E3 | AIR SEAT SUSPENSION KITS (665301-)..... 90 - 60 |
| 3E3 | A/C HIGH PRESSURE SWITCH, 6076 | 40 - 60 | 3C17 | AIR SEAT WIRING HARNESS (660301-)..... 40 - 24 |
| 5D16 | ACCUMULATOR AND MOUNTING, ONE GALLON (655301-) | 70 - 46 | 6D21 | AIR SUSPENSION KITS, SEAT (665301-)..... 90 - 54 |
| 5B21 | ACCUMULATOR PRESSURE GAUGE WIRING HARNESS | 70 - 2 | 6D23 | AIR SUSPENSION KITS, SEAT (665301-)..... 90 - 56 |
| 5D14 | ACCUMULATOR, DUAL, HALF GALLON..... | 70 - 44 | 6E1 | AIR SUSPENSION KITS, SEAT (665301-)..... 90 - 58 |
| 5D12 | ACCUMULATOR, SINGLE MOUNTING BRACKET ONE HALF GALLON | 70 - 42 | 6E3 | AIR SUSPENSION KITS, SEAT (665301-)..... 90 - 60 |
| 5D12 | ACCUMULATOR, SINGLE, ONE HALF GALLON | 70 - 42 | 6D19 | AIR SUSPENSION, SEAT (660301-)..... 90 - 52 |
| 4G13 | ACTUATOR, PARK BRAKE (-640300) | 60 - 2 | 2F15 | ALTERNATOR ADJUSTING STRAP..... 26 - 94 |
| 3D11 | ADAPTER, WIRING HARNESS (CONTOUR MASTER) | 40 - 44 | 1H6 | ALTERNATOR ADJUSTING STRAP (6076) (EARLY DESIGN) |
| 3D13 | ADAPTER, WIRING HARNESS (CONTOUR MASTER) | 40 - 46 | | 25 - 106 |
| 4I6 | ADJUSTABLE REAR AXLE..... | 60 - 43 | 3E19 | ALTERNATOR AND SHEAVE (-636603)..... 40 - 76 |
| 4I12 | ADJUSTABLE REAR AXLE STEERING TIE RODS | 60 - 49 | 3E23 | ALTERNATOR MOUNTING..... 40 - 80 |
| 6D15 | ADJUSTER, OPERATOR'S SEAT LEVER | 90 - 48 | 2F15 | ALTERNATOR SUPPORT STRAP |
| 8D11 | ADJUSTING BRACKET, CYLINDER DRIVE, DUAL-RANGE | 121 - 42 | | 26 - 94 |
| 6E7 | ADJUSTING MECHANISM, ARMREST, R.H. (-640300) | 90 - 64 | 1H6 | ALTERNATOR SUPPORT STRAP (6076) (EARLY DESIGN) |
| 6E9 | ADJUSTING MECHANISM, ARMREST, R.H. (640301-) | 90 - 66 | | 25 - 106 |
| 3F1 | ADJUSTING MOTOR, CONCAVE..... | 40 - 82 | 3E20 | ALTERNATOR, SHEAVE AND BELT |
| 3E15 | ADJUSTING MOTOR, SEPARATOR FAN DRIVE | 40 - 72 | | 40 - 77 |
| 2G3 | AIR CLEANER AND INTAKE TUBES (-645300) | 30 - 12 | 3E17 | ALTERNATOR, VOLTAGE REGULATOR (90 AMP) MOTOROLA-PRESTOLITE (-636603) |
| 2G5 | AIR CLEANER AND INTAKE TUBES (645301-) | 30 - 14 | | 40 - 74 |
| 3E3 | AIR CLEANER PLUGGED SWITCH, 6076..... | 40 - 60 | 3E21 | ALTERNATOR, VOLTAGE REGULATOR (95 AMP) BOSCH (636604-) |
| 3C15 | AIR CONDITIONER AND HEATER (WIRING HARNESS) (-660300) | 40 - 22 | | 40 - 78 |
| 3C23 | AIR CONDITIONER AND HEATER SWITCH..... | 40 - 30 | 3D5 | ANTENNA, SPEAKERS AND RADIO |
| 3C21 | AIR CONDITIONER PRESSURIZER FAN KIT (640301-650300) | 40 - 28 | | 40 - 38 |
| 3C19 | AIR CONDITIONER THERMOSTAT KIT (630301-640300) | 40 - 26 | 8D3 | ARM, LOCKOUT, DUAL-RANGE |
| 3C15 | AIR CONDITIONER WIRING HARNESS (-660300) | 40 - 22 | | 121 - 34 |
| 3C17 | AIR CONDITIONER WIRING HARNESS (660301-) | 40 - 24 | 2C22 | ARM, ROCKER |
| 6E20 | AIR CONDITIONING & HEATER AND PRESSURIZING FAN | 90 - 78 | | 26 - 26 |
| 6D1 | AIR CONDITIONING AND HEATER DUCTS | 90 - 33 | 1E9 | ARM, ROCKER (EARLY DESIGN) |
| 6F3 | AIR CONDITIONING COMPRESSOR (-650300) R-12 | 90 - 86 | | 25 - 29 |
| 6F8 | AIR CONDITIONING COMPRESSOR (650301-) R134A | 90 - 92 | 2F11 | ARMATURE (DENSO) (12V F4) |
| 5G3 | AIR CONDITIONING CONDENSER AND OIL COOLER FOR 9600 253 HP | 70 - 110 | | 26 - 90 |
| 6E22 | AIR CONDITIONING SYSTEM | 90 - 80 | 1G23 | ARMATURE (DENSO) (12V F4) (ESN 136851-499999) |
| 6E24 | AIR CONDITIONING SYSTEM (-650300) R-12 | 90 - 82 | | 25 - 98 |
| 6F1 | AIR CONDITIONING SYSTEM (650301-) R134A | 90 - 84 | 5E4 | ARMATURE KIT, SOLENOID CONTROL VALVE, RELIEF VALVE MODULE |
| 6E18 | AIR CONDITIONING/HEATER HOUSING AND FILTERS..... | 90 - 76 | | 70 - 59 |
| 3E3 | AIR INLET TEMP SWITCH (253 HP), 6076..... | 40 - 60 | 1H3 | ARMATURE, STARTER (ND) (NO. 028000-3292) (6076)(EARLY DESIGN)..... |
| 1C15 | AIR INTER COOLER, RADIATOR WITH OIL COOLER AND A/C CONDENSER | 20 - 22 | | 25 - 103 |
| 6D19 | AIR SEAT SUSPENSION (660301-) | 90 - 52 | 6E11 | ARMREST (L.H.) |
| 6D21 | AIR SEAT SUSPENSION KITS (665301-)..... | 90 - 54 | | 90 - 68 |
| 6D23 | AIR SEAT SUSPENSION KITS (665301-)..... | 90 - 56 | 6E7 | ARMREST ADJUSTING MECHANISM (R.H.) (-640300) |
| | | | | 90 - 64 |
| | | | 6E9 | ARMREST ADJUSTING MECHANISM, R.H. (640301-) |
| | | | | 90 - 66 |
| | | | 3C9 | ARMREST PANEL, OPERATOR'S |
| | | | | 40 - 14 |
| | | | 3C9 | ARMREST ROCKER SWITCHES |
| | | | | 40 - 14 |
| | | | 3C7 | ARMREST WIRING HARNESS |
| | | | | 40 - 12 |
| | | | 6E5 | ARMREST WITH GLOVE BOX (R.H.)..... |
| | | | | 90 - 62 |
| | | | 7E9 | ARMS, FRAME, PRECLEANER CHAFFER |
| | | | | 120 - 64 |
| | | | 4E10 | ARMS, STEERING, CAM LOBE MOTOR (STEERABLE MOTOR) |
| | | | | 50 - 64 |
| | | | 3C9 | ASHTRAY |
| | | | | 40 - 14 |
| | | | 2C3 | ASSEMBLY, COMPLETE BLOCK (ESN 500000-) |
| | | | | 26 - 6 |
| | | | 5E22 | ASSEMBLY, SIX STACK SOLENOID CONTROL VALVE (660301-) |
| | | | | 70 - 80 |
| | | | 9E17 | AUGER BELTS |
| | | | | 170 - 2 |
| | | | 9D24 | AUGER COVERS AND CHANNEL, CROSS |
| | | | | 130 - 56 |
| | | | 5H19 | AUGER DRIVE MUD SHIELD, R.H. |
| | | | | 80 - 30 |
| | | | 8I6 | AUGER DRIVE SHIELD, UPPER TAILINGS |
| | | | | 125 - 62 |
| | | | 8I8 | AUGER DRIVE SHIELD, UPPER TAILINGS |
| | | | | 125 - 64 |
| | | | 8I6 | AUGER DRIVE, UPPER TAILINGS |
| | | | | 125 - 62 |
| | | | 8I8 | AUGER DRIVE, UPPER TAILINGS |
| | | | | 125 - 64 |
| | | | 9C5 | AUGER HOUSING, LOADING, UPPER CLEAN GRAIN |
| | | | | 130 - 12 |
| | | | 9C7 | AUGER HOUSING, LOADING, UPPER CLEAN GRAIN (660301-) |
| | | | | 130 - 14 |
| | | | 3D21 | AUGER SENSOR AND WIRING HARNESS, UNLOADING (660301-) |
| | | | | 40 - 54 |
| | | | 5E10 | AUGER SWING, SOLENOID CONTROL VALVE DOUBLE PILOTED (-650300) |
| | | | | 70 - 66 |
| | | | 9D9 | AUGER SWIVEL SUPPORT AND BRACES |
| | | | | 130 - 42 |
| | | | 9C5 | AUGER TRANSITION HOUSING |
| | | | | 130 - 12 |
| | | | 8H19 | AUGER TROUGH, LOWER TAILINGS..... |
| | | | | 125 - 50 |

ALPHABETICAL INDEX - CONTINUED

| GRID | | PAGE | GRID | | PAGE |
|------|--|----------|------|--|----------|
| 3D21 | AUGER WIRING HARNESS, UNLOADING (660301-) | 40 - 54 | 9E18 | BELT, AIR CONDITIONER COMPRESSOR | 170 - 3 |
| 9D22 | AUGER, GRAIN TANK CROSS | 130 - 54 | 9E17 | BELT, AUGER | 170 - 2 |
| 9D5 | AUGER, GRAIN TANK, VERTICAL UNLOADING | 130 - 38 | 9E20 | BELT, BEATER | 170 - 5 |
| 9D18 | AUGER, HORIZONTAL UNLOADING | 130 - 50 | 9E18 | BELT, CLEAN GRAIN ELEVATOR | 170 - 3 |
| 9C9 | AUGER, LOADING, CLEAN GRAIN | 130 - 16 | 9E17 | BELT, CONVEYOR FEEDER | 170 - 2 |
| 9C11 | AUGER, LOADING, CLEAN GRAIN FOLD (660301-) | 130 - 18 | 9E18 | BELT, COOLING FAN | 170 - 3 |
| 8H17 | AUGER, LOWER TAILINGS | 125 - 48 | 9E18 | BELT, CYLINDER DRIVE | 170 - 3 |
| 9E18 | AUGER, LOWER TAILINGS, BELTS | 170 - 3 | 9E18 | BELT, DRIVE, CYLINDER INTERMEDIATE | 170 - 3 |
| 7D13 | AUGER, SHOE GRAIN SUPPLY AND HOUSING | 120 - 44 | 7D9 | BELT, DRIVE, SHAFT AND BEATER | 120 - 40 |
| 7D15 | AUGER, SHOE GRAIN SUPPLY AND HOUSING | 120 - 46 | 9E17 | BELT, ENGINE DRIVE | 170 - 2 |
| 8I6 | AUGER, UPPER TAILINGS | 125 - 62 | 9E19 | BELT, FAN, CLEANING | 170 - 4 |
| 8I8 | AUGER, UPPER TAILINGS | 125 - 64 | 6I5 | BELT, FAN, DUST, LH SIDE FEEDER HOUSE-RETROFIT INSTALLATION | 110 - 60 |
| 3B24 | AUX FIELD LIGHTS SWITCH, OPTIONAL | 40 - 4 | 9E17 | BELT, FEEDER CONVEYOR | 170 - 2 |
| 3C5 | AUXILIARY FIELD LIGHTING | 40 - 10 | 9E19 | BELT, FEEDER HOUSE | 170 - 4 |
| 4E15 | AXLE SHAFT FINAL DRIVE | 50 - 69 | 9E19 | BELT, HEADER AND REEL | 170 - 4 |
| 4C8 | AXLE SPACERS | 50 - 13 | 9E20 | BELT, LOWER TAILINGS AUGER | 170 - 5 |
| 4C9 | AXLE SPACERS, PLANETARY FINAL DRIVE | 50 - 14 | 9E18 | BELT, LOWER TAINLINGS AUGER | 170 - 3 |
| 4C17 | AXLE, FINAL DRIVE | 50 - 22 | 6D12 | BELT, OPERATOR'S SEAT (665301-) | 90 - 44 |
| 4C6 | AXLE, FRONT | 50 - 11 | 9E18 | BELT, ROTARY SCREEN | 170 - 3 |
| 4C7 | AXLE, FRONT | 50 - 12 | 6D14 | BELT, SEAT - RETROFIT KIT (MACHINES PRIOR TO 1996 MODEL YEAR) | 90 - 46 |
| 4I6 | AXLE, REAR, ADJUSTABLE | 60 - 43 | 6D13 | BELT, SEAT - TRAINING SEAT (665301-) | 90 - 45 |
| 4I7 | AXLE, REAR, SPINDLES | 60 - 44 | 9E19 | BELT, STRAW CHOPPER | 170 - 4 |
| 4I3 | AXLE, REAR, SUPPORT | 60 - 40 | 9E19 | BELT, STRAW SPREADER | 170 - 4 |
| | | | 9E19 | BELT, UNLOADING AUGERS | 170 - 4 |
| | | | 9E20 | BELT, UNLOADING SYSTEM | 170 - 5 |
| | | | 9E20 | BELT, UPPER TAILINGS AUGER | 170 - 5 |
| | | | 9E17 | BELT, WALKER | 170 - 2 |
| | | | 5E8 | BI-DIRECTIONAL MODULE, SOLENOID CONTROL VALVE, REEL LIFT AND CYLINDER SPEED | 70 - 64 |
| | | | 2C3 | BLOCK ASSEMBLY, COMPLETE (ESN 500000-) | 26 - 6 |
| | | | 1D10 | BLOCK, CYLINDER (EARLY DESIGN) (WITHOUT HEAD BOLTS) | 25 - 4 |
| | | | 1C11 | BLOCK, ENGINE COOLANT HEATER | 20 - 18 |
| | | | 2C7 | BLOCK, SHORT (WITH HEAD BOLTS) | 26 - 10 |
| | | | 2C5 | BLOCK, SHORT (ESN 500000-) (WITHOUT HEAD BOLTS) | 26 - 8 |
| | | | 1D14 | BLOCK, SHORT (HH001-OPT. HP) (-499999)(WITHOUT HEAD BOLTS) | 25 - 8 |
| | | | 1D18 | BLOCK, SHORT (WITH HEAD BOLTS) (TH001,HH001,HH003)(ESN -499999) | 25 - 12 |
| | | | 1D16 | BLOCK, SHORT (6076HH003)(STD. HP)(LATE DESIGN -499999)(WITHOUT HEAD BOLTS) | 25 - 10 |
| | | | 1D14 | BLOCK, SHORT(TH001-STD. HP) (EARLY DESIGN -499999) W/O HEAD BOLTS | 25 - 8 |
| | | | 2C20 | BOLT, CYLINDER HEAD (ESN 500000-) | 26 - 24 |
| | | | 1E10 | BOLTS, CYLINDER HEAD (ESN -499999) | 25 - 30 |
| | | | 3E21 | BOSCH ALTERNATOR AND VOLTAGE REGULATOR (95 AMP) (636604-) | 40 - 78 |
| | | | 6C17 | BOX, TOOL (660301-) | 90 - 24 |
| | | | 4H6 | BRACKET, BRAKE CABLE SUPPORT (645307-) | 60 - 19 |
| | | | 7D5 | BRACKET, CONCAVE INDICATOR AND CABLE | 120 - 36 |
| | | | 6H4 | BRACKET, FEEDER CONVEYOR | 110 - 37 |
| | | | 3D23 | BRACKET, LOW SHAFT SPEED SENSORS | 40 - 56 |
| | | | 5D12 | BRACKET, SINGLE ACCUMULATOR MOUNTING ONE HALF GALLON | 70 - 42 |
| | | | 3D15 | BRACKET, STRAW CHOPPER SENSOR | 40 - 48 |
| | | | 5E21 | BRACKETS, SOLENOID CONTROL VALVE | 70 - 78 |
| | | | 4H6 | BRAKE CABLE SUPPORT BRACKET (645307-) | 60 - 19 |
| | | | 4H1 | BRAKE CYLINDER, MASTER | 60 - 14 |
| | | | 4G21 | BRAKE CYLINDERS, MASTER AND BRAKE PEDALS | 60 - 10 |

B

| | | |
|------|---|----------|
| 3H3 | BACKSHAFT SPEED SENSOR, FEEDER HOUSE (645316-) | 40 - 134 |
| 9C22 | BASE, GRAIN TANK | 130 - 30 |
| 3F5 | BATTERIES, CABLE AND HOLDDOWN | 40 - 86 |
| 3F3 | BATTERIES, CABLE AND HOLDDOWN-FRENCH | 40 - 84 |
| 3G12 | BEACON LIGHTS, REVOLVING (EXPORT ONLY) | 40 - 118 |
| 7F5 | BEARING KIT, STRAW WALKER (650301-665300) | 120 - 82 |
| 7F7 | BEARING KIT, STRAW WALKERS (665301-) | 120 - 84 |
| 4E5 | BEARING, COVER AND QUILL (STEERABLE MOTOR) | 50 - 58 |
| 4C16 | BEARING, FINAL DRIVE | 50 - 21 |
| 4C17 | BEARING, FINAL DRIVE | 50 - 22 |
| 4D1 | BEARING, FINAL DRIVE | 50 - 30 |
| 4E15 | BEARING, FINAL DRIVE | 50 - 69 |
| 4E16 | BEARING, FINAL DRIVE PINION SHAFT | 50 - 70 |
| 4E18 | BEARING, FINAL DRIVE PINION SHAFT | 50 - 72 |
| 1E1 | BEARING, MAIN | 25 - 20 |
| 2C14 | BEARING, MAIN (6076) | 26 - 17 |
| 8H23 | BEARING, TAILINGS ELEVATOR CONVEYOR | 125 - 54 |
| 1E1 | BEARING, THRUST | 25 - 20 |
| 2C14 | BEARING, THRUST (6076) | 26 - 17 |
| 4C19 | BEARING, TRANSMISSION | 50 - 24 |
| 4C21 | BEARING, TRANSMISSION PINION SHAFT | 50 - 26 |
| 1F1 | BEARING, WATER PUMP (EARLY DESIGN) (ESN -499999) | 25 - 46 |
| 2D7 | BEARING, WATER PUMP (ESN 500000-) | 26 - 38 |
| 7F3 | BEARINGS, STRAW WALKERS (-650300) | 120 - 80 |
| 9E20 | BEATER BELTS SHEAVES | 170 - 5 |
| 7D11 | BEATER COVER | 120 - 42 |
| 8D23 | BEATER DRIVE SHEAVES AND TIGHTENER | 121 - 54 |
| 7C13 | BEATER GRATE CURTAIN (652179-) | 120 - 20 |
| 7D9 | BEATER SHAFT AND DRIVE BELT | 120 - 40 |
| 3E20 | BELL, ALTERNATOR | 40 - 77 |
| 9E3 | BELT GUIDE, UNLOADING AUGER DRIVE | 130 - 60 |
| 8E13 | BELT PICKUP / REEL DRIVE, PUMP MOUNTING SHEAVE | 121 - 68 |

ALPHABETICAL INDEX - CONTINUED

| GRID | | PAGE | GRID | | PAGE |
|------|---|----------|------|--|----------|
| 4G17 | BRAKE LINES AND HOSES, PARKING, UPPER (-640300) | 60 - 6 | 4E3 | CAM LOBE MOTOR (STEERABLE MOTOR) | 50 - 56 |
| 4G23 | BRAKE LINES, MASTER CYLINDER AND RESERVOIR | 60 - 12 | 4E6 | CAM, CARRIER, AND PISTON (STEERABLE MOTOR)..... | 50 - 60 |
| 4G19 | BRAKE PEDAL AND SEAL, PARKING (640301-) | 60 - 8 | 1E6 | CAMSHAFT (ESN -499999)(W/R86565 GEAR) (TH001, HH001, HH004)..... | 25 - 26 |
| 4G21 | BRAKE PEDALS AND CYLINDERS | 60 - 10 | 2C18 | CAMSHAFT (ESN 500000-) | 26 - 21 |
| 4H3 | BRAKE SHOES AND DRUM (LEFT-HAND ILLUSTRATED) | 60 - 16 | 1E7 | CAMSHAFT (W/R105488 GEAR)(6076HH003) | 25 - 27 |
| 4H5 | BRAKE SLAVE CYLINDER | 60 - 18 | 1E6 | CAMSHAFT BUSHING (ESN -499999) (TH001, HH001, HH004)..... | 25 - 26 |
| 4G13 | BRAKE, PARK, ACTUATOR (-640300) | 60 - 2 | 2C1 | CAMSHAFT BUSHING (ESN 500000-) | 26 - 4 |
| 4G15 | BRAKE, PARKING, LINES (-640300) | 60 - 4 | 2C18 | CAMSHAFT BUSHING (ESN 500000-) | 26 - 21 |
| 4G12 | BRAKE, PARKING, VALVE (-640300) | 60 - 1 | 1E7 | CAMSHAFT BUSHING (6076HH003) | 25 - 27 |
| 3F11 | BREAKER, CIRCUIT, ENGINE COMPARTMENT | 40 - 92 | 2C22 | CAMSHAFT FOLLOWER..... | 26 - 26 |
| 3F8 | BREAKER, CIRCUIT, ENGINE COMPARTMENT (-660300) | 40 - 89 | 1E9 | CAMSHAFT FOLLOWER (EARLY DESIGN) | 25 - 29 |
| 3F9 | BREAKERS, CIRCUIT, ENGINE COMPARTMENT (660301-) | 40 - 90 | 1E6 | CAMSHAFT FOLLOWER (ESN -499999) (TH001, HH001, HH004)..... | 25 - 26 |
| 1E6 | BUSHING, CAMSHAFT (ESN -499999) (TH001, HH001, HH004)..... | 25 - 26 | 2C18 | CAMSHAFT FOLLOWER (ESN 500000-) | 26 - 21 |
| 2C1 | BUSHING, CAMSHAFT (ESN 500000-) | 26 - 4 | 1E7 | CAMSHAFT FOLLOWER (6076HH003) | 25 - 27 |
| 2C18 | BUSHING, CAMSHAFT (ESN 500000-) | 26 - 21 | 1E6 | CAMSHAFT GEAR (ESN -499999)(W/R86565 GEAR)(TH001, HH001, HH004) | 25 - 26 |
| 1E7 | BUSHING, CAMSHAFT (6076HH003) | 25 - 27 | 2C18 | CAMSHAFT GEAR (ESN 500000-) | 26 - 21 |
| 1E20 | BYPASS VALVE, OIL COOLER (ESN -156313)..... | 25 - 40 | 9D3 | CAP, GRAIN TANK CLEAN OUT CHUTE | 130 - 36 |
| 1E21 | BYPASS VALVE, OIL COOLER (ESN 156314-499999) | 25 - 41 | 1D12 | CAP, MAIN BEARING | 25 - 6 |
| 2D4 | BYPASS VALVE, OIL FILTER (ESN 500000-)..... | 26 - 34 | 2C1 | CAP, MAIN BEARING (ESN 500000-) | 26 - 4 |
| 1E22 | BYPASS VALVE, OIL FILTER (EARLY DESIGN) (ESN -499999)..... | 25 - 42 | 1E4 | CAP, OIL FILLER (HH003) (EARLY DESIGN)..... | 25 - 24 |
| | C | | 1E5 | CAP, OIL FILLER (TH001, HH001, HH004) (ESN -499999) | 25 - 25 |
| 6C25 | CAB AIR FILTER AND HOUSING | 90 - 32 | 4E8 | CAPS, YOKE AND PIVOTS (STEERABLE MOTOR) | 50 - 62 |
| 3B21 | CAB DOME LIGHT | 40 - 1 | 4E6 | CARRIER, PISTON, AND CAM (STEERABLE MOTOR)..... | 50 - 60 |
| 6C5 | CAB DOOR AND GLASS | 90 - 12 | 4F25 | CASE DRAIN, 4-WHEEL DRIVE, HYDRAULIC LINES | 50 - 104 |
| 6C3 | CAB DOOR LATCH | 90 - 10 | 9D3 | CASE, VERTICAL AUGER LOWER GEAR | 130 - 36 |
| 6B20 | CAB FLOOR MAT | 90 - 2 | 2D18 | CENTER HOUSING, TURBOCHARGER (AIRESEARCH) | 26 - 51 |
| 6C7 | CAB FRAME AND SUPPORT | 90 - 14 | 1F14 | CENTER HOUSING, TURBOCHARGER (AIRESEARCH) (ESN -499999) | 25 - 60 |
| 6C1 | CAB INTERIOR TRIM PANELS | 90 - 8 | 2D17 | CENTER HOUSING, TURBOCHARGER (SCHWITZER) | 26 - 50 |
| 6C21 | CAB LANDING AND MIRROR | 90 - 28 | 1F15 | CENTER HOUSING, TURBOCHARGER (SCHWITZER) (ESN -499999)..... | 25 - 61 |
| 6C19 | CAB LANDING AND MIRROR (-650300)..... | 90 - 26 | 3F15 | CENTRAL ELECTRONICS MODULE AND CIRCUIT BOARDS | 40 - 96 |
| 6C23 | CAB LANDING AND MIRROR (R.H.) | 90 - 30 | 3F15 | CENTRAL ELECTRONICS MODULE CIRCUIT BOARDS | 40 - 96 |
| 3B21 | CAB LIGHT, DOME | 40 - 1 | 8G17 | CHAFF SPREADER (DUAL MOTOR) SHIELDS AND HANDLES (650301-) | 125 - 24 |
| 6D10 | CAB OPERATOR'S SEAT AND BACKREST | 90 - 42 | 8H1 | CHAFF SPREADER CONTROL, CHECK VALVE | 125 - 32 |
| 6B20 | CAB PANELS AND FLOOR MAT | 90 - 2 | 8G13 | CHAFF SPREADER DISC (DUAL MOTOR) (650301-) | 125 - 20 |
| 3C1 | CAB POST INSTRUMENT PANEL | 40 - 6 | 8G11 | CHAFF SPREADER DISC AND DRIVE BELT (-650300) | 125 - 18 |
| 6D2 | CAB POST INSTRUMENT PANEL | 90 - 34 | 8G15 | CHAFF SPREADER FRAME, SHIELDS AND HANDLES (-650300) | 125 - 22 |
| 6F16 | CAB POST INSTRUMENT PANEL LH (EXPORT ONLY)..... | 90 - 100 | 8H3 | CHAFF SPREADER LINES AND FITTINGS | 125 - 34 |
| 6B24 | CAB REAR AND SIDE SEALS | 90 - 6 | 5C5 | CHAFF SPREADER MOTOR (EATON) (656147-) | 70 - 10 |
| 6C9 | CAB ROOF AND SUPPORTS..... | 90 - 16 | 5C3 | CHAFF SPREADER MOTOR (TRW ROSS) (-656146) | 70 - 8 |
| 3C3 | CAB ROOF LIGHTS | 40 - 8 | 8G23 | CHAFF SPREADER MOUNTING SUPPORT | 125 - 30 |
| 6D17 | CAB SEAT HEIGHT ADJUSTER | 90 - 50 | 8G19 | CHAFF SPREADER PAN AND SEALS (-650300) | 125 - 26 |
| 6B22 | CAB SOUND DEADENING, FOAM AND SEALS..... | 90 - 4 | 8G21 | CHAFF SPREADER PAN AND SEALS (650301-)..... | 125 - 28 |
| 3B22 | CAB WIRING HARNESS | 40 - 2 | 8H11 | CHAFF SPREADER PUMP | 125 - 42 |
| 6C5 | CAB, COMPLETE | 90 - 12 | 8H7 | CHAFF SPREADER, HOSES, LINES AND MOTOR (-650300) | 125 - 38 |
| 3F5 | CABLE, BATTERY | 40 - 86 | | | |
| 3F3 | CABLE, BATTERY-FRENCH..... | 40 - 84 | | | |
| 7D5 | CABLE, CONCAVE INDICATOR, AND BRACKETS | 120 - 36 | | | |
| 4B23 | CABLE, CONTROL, HYDROSTATIC DRIVE (-645300) | 50 - 4 | | | |
| 4C1 | CABLE, HYDROSTATIC DRIVE CONTROL (645301-) | 50 - 6 | | | |
| 3F23 | CABLE, WIRING | 40 - 104 | | | |

ALPHABETICAL INDEX - CONTINUED

| <i>GRID</i> | <i>PAGE</i> | <i>GRID</i> | <i>PAGE</i> |
|-------------|-------------|-------------|-------------|
| 8H9 | 125 - 40 | 9B23 | 130 - 6 |
| 8H5 | 125 - 36 | 9B21 | 130 - 4 |
| 8D21 | 121 - 52 | 9B23 | 130 - 6 |
| 7E11 | 120 - 66 | 9D3 | 130 - 36 |
| 7E13 | 120 - 67A | 2G3 | 30 - 12 |
| 7E15 | 120 - 68 | 2G5 | 30 - 14 |
| 7E17 | 120 - 70 | 7D19 | 120 - 50 |
| 7E9 | 120 - 64 | 7D21 | 120 - 52 |
| 7E5 | 120 - 60 | 8E1 | 121 - 56 |
| 7E3 | 120 - 58 | 7D19 | 120 - 50 |
| 811 | 125 - 57 | 7D21 | 120 - 52 |
| 9B21 | 130 - 4 | 7D23 | 120 - 54 |
| 9B23 | 130 - 6 | 7E1 | 120 - 56 |
| 6H3 | 110 - 36 | 7D17 | 120 - 48 |
| 6H4 | 110 - 37 | 6G16 | 110 - 24 |
| 8H23 | 125 - 54 | 6F3 | 90 - 86 |
| 9D24 | 130 - 56 | 6F4 | 90 - 87 |
| 9D5 | 130 - 38 | 6F9 | 90 - 93 |
| 5G11 | 70 - 118 | 8C17 | 121 - 24 |
| 9D3 | 130 - 36 | 6H9 | 110 - 42 |
| 3C9 | 40 - 14 | 6F3 | 90 - 86 |
| 3C1 | 40 - 6 | 2F11 | 26 - 90 |
| 6D2 | 90 - 34 | 1G23 | 25 - 98 |
| 3F15 | 40 - 96 | 1H2 | 25 - 102 |
| 3F11 | 40 - 92 | 4H11 | 60 - 24 |
| 3F8 | 40 - 89 | 6E14 | 90 - 72 |
| 3F9 | 40 - 90 | 2F23 | 30 - 8 |
| 3F11 | 40 - 92 | 2G1 | 30 - 10 |
| 3F8 | 40 - 89 | 1G25 | 25 - 100 |
| 3F9 | 40 - 90 | 5H1 | 80 - 12 |
| 3E13 | 40 - 70 | 5H3 | 80 - 14 |
| 9B21 | 130 - 4 | 5H5 | 80 - 16 |
| 9B23 | 130 - 6 | 5H7 | 80 - 18 |
| 9C14 | 130 - 22 | 2C3 | 26 - 6 |
| 9C14 | 130 - 22 | 6E24 | 90 - 82 |
| 9C14 | 130 - 22 | 6F1 | 90 - 84 |
| 9C12 | 130 - 20 | 6F4 | 90 - 87 |
| 9C16 | 130 - 24 | 6F9 | 90 - 93 |
| 9C18 | 130 - 26 | 6F3 | 90 - 86 |
| 9C3 | 130 - 10 | 6F5 | 90 - 88 |
| 9C3 | 130 - 10 | 6F6 | 90 - 90 |
| 9C3 | 130 - 10 | 6F11 | 90 - 95 |
| 9C1 | 130 - 8 | 6F4 | 90 - 87 |
| 9C9 | 130 - 16 | 6F3 | 90 - 86 |
| 9C5 | 130 - 12 | 6F8 | 90 - 86 |
| 9C7 | 130 - 14 | 9E18 | 170 - 3 |
| 9C11 | 130 - 18 | | |
| 9B19 | 130 - 2 | | |
| 9B19 | 130 - 2 | | |
| 9B21 | 130 - 4 | | |

ALPHABETICAL INDEX - CONTINUED

| GRID | | PAGE | GRID | | PAGE |
|------|---|-----------|------|---|----------|
| 6F3 | COMPRESSOR, CLUTCH PULLEY (-650300) R-12 | 90 - 86 | 4C1 | CONTROL CABLES, HYDROSTATIC DRIVE (645301-) | 50 - 6 |
| 3F1 | CONCAVE ADJUSTING MOTOR | 40 - 82 | 3C9 | CONTROL PANEL, OPERATOR'S ARMREST | 40 - 14 |
| 7D5 | CONCAVE INDICATOR, CABLE AND BRACKETS..... | 120 - 36 | 2E3 | CONTROL UNIT, ELECTRONIC (6076HH030) (ROBERT BOSCH)..... | 26 - 60 |
| 7D7 | CONCAVE INDICATOR, CORN AND SMALL GRAIN.... | 120 - 38 | 2E5 | CONTROL UNIT, ELECTRONIC (6076HH034) (ROBERT BOSCH)..... | 26 - 61A |
| 7C15 | CONCAVE, RASP BAR AND GRATE | 120 - 22 | 3F13 | CONTROL UNIT, ELECTRONIC (ECU) | 40 - 94 |
| 7C17 | CONCAVE, RASP BAR AND GRATE | 120 - 24 | 2E9 | CONTROL UNIT, ELECTRONIC (6076HH031) (RB) (LATE DESIGN F.I.P.) | 26 - 64 |
| 7D1 | CONCAVE, SPIKE TOOTH..... | 120 - 32 | 2E11 | CONTROL UNIT, ELECTRONIC (6076HH035) (RB) (LATE DESIGN F.I.P.) | 26 - 65A |
| 7C19 | CONCAVE, SPIKE-TOOTH | 120 - 26 | 4E13 | CONTROL VALVE | 50 - 67 |
| 7C23 | CONCAVE, SPIKE-TOOTH | 120 - 30 | 4E12 | CONTROL VALVE (-655300)..... | 50 - 66 |
| 6E24 | CONDENSER, AIR CONDITIONER (-650300) R-12 | 90 - 82 | 5E22 | CONTROL VALVE MODULE, SIX STACK SOLENOID ASSEMBLY & MOUNTINGS (660301-) | 70 - 80 |
| 6F1 | CONDENSER, AIR CONDITIONER (650301-) R134A | 90 - 84 | 4E14 | CONTROL VALVE SOLENOID (FOUR-WHEEL DR.) | 50 - 68 |
| 5G3 | CONDENSER, AIR CONDITIONING AND OIL COOLER FOR 9600 253 HP | 70 - 110 | 6F12 | CONTROL VALVE, HEATER | 90 - 96 |
| 1D9 | CONDITIONER, COOLANT..... | 25 - 2 | 4D9 | CONTROL VALVE, HYDRO. DR. DISPLACEMENT | 50 - 38 |
| 2B24 | CONDITIONER, COOLANT..... | 26 - 3 | 5E15 | CONTROL VALVE, SOLENOID - CONTOUR MASTER (660301-) | 70 - 72 |
| 1D23 | CONNECTING RODS | 25 - 17 | 5E12 | CONTROL VALVE, SOLENOID, FOR AUGER SWING.. | 70 - 68 |
| 2C12 | CONNECTING RODS (6076) | 26 - 15 | 6E7 | CONTROL, ARMREST ADJUSTING MECHANISM, R.H. (-640300)..... | 90 - 64 |
| 1G16 | CONNECTORS, ELECTRICAL, WEATHERPACK | 25 - 90 | 3G8 | CONVENIENCE OUTLET | 40 - 114 |
| 3F17 | CONNECTORS, ELECTRICAL, WEATHERPACK | 40 - 98 | 3G10 | CONVENIENCE OUTLET (660301-)..... | 40 - 116 |
| 2F5 | CONNECTORS, ELECTRICAL, WEATHERPACK (6076)..... | 26 - 84 | 5C8 | CONVERSION PARTS, HUDRAULIC, 200 SERIES CUTTING PLATFORM..... | 70 - 13 |
| 1G10 | CONNECTORS, FUEL INJECTION PUMP HOUSING (ND) (TH001/HH003)(ESN -499999) | 25 - 82 | 9E17 | CONVEYOR AUGER BELTS, | 170 - 2 |
| 2E14 | CONNECTORS, FUEL INJECTION PUMP HOUSING (ND) (6076HH031) (EARLY DESIGN F.I.P.) | 26 - 67 | 8D21 | CONVEYOR AUGERS, SIEVE, CHAFFER DRIVE AND STRAW WALKER..... | 121 - 52 |
| 2E15 | CONNECTORS, FUEL INJECTION PUMP HOUSING (RB)(HH031ORHH035)(LATE DESIGN F.I.P.) | 26 - 68 | 8D19 | CONVEYOR AUGERS, STRAW WALKER, SIEVE AND CHAFFER DRIVE | 121 - 50 |
| 1G9 | CONNECTORS, FUEL INJECTION PUMP HOUSING (ROBERT BOSCH) (6076HH001/HH004)..... | 25 - 81 | 9B21 | CONVEYOR CHAIN, CLEAN GRAIN | 130 - 4 |
| 1F17 | CONNECTORS, FUEL INJECTION PUMP HOUSING (6076) (ROBERT BOSCH) (EARLY DESIGN) | 25 - 63 | 9B23 | CONVEYOR CHAIN, CLEAN GRAIN | 130 - 6 |
| 2E13 | CONNECTORS, FUEL INJECTION PUMP HOUSING (6076HH030, HH032, HH034, HH036)..... | 26 - 66 | 1D9 | COOLANT CONDITIONER, ENGINE | 25 - 2 |
| 3G4 | CONNECTORS, HARNESS, UPPER (6076 ENGINE).... | 40 - 110 | 2B24 | COOLANT CONDITIONER, ENGINE | 26 - 3 |
| 3G2 | CONNECTORS, LOWER HARNESS FOR 6076 ENGINE | 40 - 108 | 2D12 | COOLANT HEATER, ENGINE | 26 - 44 |
| 3F25 | CONNECTORS, SUPPLEMENTARY TERMINALS | 40 - 106 | 1C11 | COOLANT HEATER, ENGINE BLOCK..... | 20 - 18 |
| 6E5 | CONSOLE GLOVE BOX AND ARM REST, R.H. | 90 - 62 | 2G11 | COOLANT RECOVERY TANK | 30 - 20 |
| 3B24 | CONSOLE PANEL, OVERHEAD..... | 40 - 4 | 1D9 | COOLANT SCAN TEST KIT | 25 - 2 |
| 6G16 | CONTOUR MASTER - FEEDER HOUSE FRAME, TILT BEAM & CLOSURE PLATES (660301-)..... | 110 - 24 | 2B24 | COOLANT SCAN TEST KIT | 26 - 3 |
| 6H23 | CONTOUR MASTER DRIVESHAFT | 110 - 55A | 2D4 | COOLER AND OIL FILTER HOUSING (ESN 500000-)..... | 26 - 34 |
| 6H21 | CONTOUR MASTER DRIVESHAFT (660301-) | 110 - 54 | 1F5 | COOLER, ENGINE OIL (EARLY DESIGN) (ESN -499999)..... | 25 - 50 |
| 5D5 | CONTOUR MASTER HYDRAULIC HOSES, L.H SIDE (OPTIONAL) (660301-) | 70 - 34 | 2D4 | COOLER, ENGINE OIL (ESN 500000-) | 26 - 34 |
| 6G20 | CONTOUR MASTER LOCKOUT ADAPTER KIT (BELT PU & 4R CORN HEADS) (660301-) | 110 - 28 | 5C11 | COOLER, OIL, FEEDER HOUSE | 70 - 16 |
| 5E3 | CONTOUR MASTER SOLENOID CONTROL RELIEF VALVE | 70 - 58 | 9E18 | COOLING FAN BELTS | 170 - 3 |
| 5E15 | CONTOUR MASTER SOLENOID CONTROL VALVE (660301-) | 70 - 72 | 7D7 | CORN AND SMALL GRAIN CONCAVE INDICATOR | 120 - 38 |
| 5F17 | CONTOUR MASTER TILT CYLINDER (660301-) | 70 - 100 | 8G3 | CORN CURTAIN AND DEFLECTORS | 125 - 10 |
| 5F19 | CONTOUR MASTER TILT CYLINDER HOSES AND FITTINGS (660301-) | 70 - 102 | 7C5 | CORN CYLINDER DOOR (ARGENTINA ONLY) | 120 - 12 |
| 3D11 | CONTOUR MASTER WIRING HARNESS | 40 - 44 | 5I5 | CORNER SHEET, R H FRONT | 80 - 40 |
| 3D13 | CONTOUR MASTER WIRING HARNESS ADAPTER | 40 - 46 | 5I7 | CORNER SHEET, REAR, L H | 80 - 42 |
| 6G14 | CONTOUR MASTER, FEEDER HOUSE SHELL, WEAR PLATES AND SEALS (660301-) | 110 - 22 | 8D13 | COUNTERSHAFT DRIVE, SECONDARY..... | 121 - 44 |
| 6G18 | CONTOUR MASTER, LOCKOUT ASSEMBLY (OPTIONAL) (660301-) | 110 - 26 | 9E1 | COUNTERSHAFT DRIVE, UNLOADING AUGER | 130 - 58 |
| 4B23 | CONTROL CABLES, HYDROSTATIC DRIVE (-645300) | 50 - 4 | 8C13 | COUNTERSHAFT GEARCASE, PRIMARY (-640300) | 121 - 20 |
| | | | 8C11 | COUNTERSHAFT GEARCASE, PRIMARY (640301-) | 121 - 18 |
| | | | 8C9 | COUNTERSHAFT, PRIMARY, GEARCASE (-640300) | 121 - 16 |
| | | | 8C15 | COUNTERSHAFT, PRIMARY, GEARCASE (640301-) | 121 - 22 |
| | | | 1C10 | COUPLING WITH HUB, ENGINE-TRANSMISSION..... | 20 - 17 |
| | | | 1F9 | COUPLING, INTAKE MANIFOLD (ESN -499999)..... | 25 - 54 |

ALPHABETICAL INDEX - CONTINUED

| GRID | | PAGE | GRID | | PAGE |
|------|---|----------|------|---|----------|
| 9D24 | COVER AND CHANNEL, CROSS AUGER | 130 - 56 | 7B22 | CYLINDER DOOR (LESS CYLINDER BAFFLE) | 120 - 4 |
| 2F10 | COVER STARTER SOLENOID (DENSO) | 26 - 89 | 7C3 | CYLINDER DOOR (656006-) | 120 - 10 |
| 7D11 | COVER, BEATER | 120 - 42 | 7C5 | CYLINDER DOOR, CORN (ARGENTINA ONLY)..... | 120 - 12 |
| 5H1 | COVER, ENGINE | 80 - 12 | 8D11 | CYLINDER DRIVE ADJUSTING BRACKET, DUAL-RANGE | 121 - 42 |
| 5H3 | COVER, ENGINE | 80 - 14 | 8D1 | CYLINDER DRIVE GEAR CASE, DUAL-RANGE..... | 121 - 32 |
| 5H5 | COVER, ENGINE | 80 - 16 | 8D7 | CYLINDER DRIVE INTERMEDIATE SHAFT MOUNTING, DUAL-RANGE | 121 - 38 |
| 5H7 | COVER, ENGINE | 80 - 18 | 8D9 | CYLINDER DRIVE INTERMEDIATE SHEAVE, DUAL-RANGE | 121 - 40 |
| 4D3 | COVER, HYDROSTATIC PUMP | 50 - 32 | 8D5 | CYLINDER DRIVE TIGHTENER, DUAL-RANGE | 121 - 36 |
| 4D17 | COVER, HYDROSTATIC PUMP | 50 - 46 | 8C21 | CYLINDER DRIVE, SINGLE RANGE | 121 - 28 |
| 2C17 | COVER, INJECTION PUMP ACCESS (ESN 500000-)..... | 26 - 20 | 8C23 | CYLINDER DRIVE, SLOW SPEED..... | 121 - 30 |
| 1E5 | COVER, INJECTION PUMP ACCESS (TH001,HH001,HH004)(ESN -499999) | 25 - 25 | 1E10 | CYLINDER HEAD (ESN -499999) | 25 - 30 |
| 1E4 | COVER, INJECTION PUMP ACCESS (HH003) (EARLY DESIGN) | 25 - 24 | 2C20 | CYLINDER HEAD (ESN 500000-) | 26 - 24 |
| 4E1 | COVER, INNER | 50 - 54 | 1E10 | CYLINDER HEAD BOLTS (ESN -499999)..... | 25 - 30 |
| 4E5 | COVER, QUILL AND BEARING (STEERABLE MOTOR)..... | 50 - 58 | 2C20 | CYLINDER HEAD BOLTS (ESN 500000-)..... | 26 - 24 |
| 1E12 | COVER, ROCKER ARM | 25 - 32 | 1E10 | CYLINDER HEAD GASKET (ESN -499999) | 25 - 30 |
| 2C23 | COVER, ROCKER ARM (6076) | 26 - 27 | 2C20 | CYLINDER HEAD GASKET (ESN 500000-) | 26 - 24 |
| 1H1 | COVER, STARTER SOLENOID (EARLY DESIGN) | 25 - 101 | 1G18 | CYLINDER HEAD GASKET KIT (ESN -499999)..... | 25 - 92 |
| 7B19 | COVER, THRESHING CYLINDER | 120 - 1 | 2F7 | CYLINDER HEAD GASKET KIT (ESN 500000-)..... | 26 - 86 |
| 2C17 | COVER, TIMING GEAR (ESN 500000-) | 26 - 20 | 1D23 | CYLINDER LINERS (ESN -499999)..... | 25 - 17 |
| 1E4 | COVER, TIMING GEAR (HH003)(EARLY DESIGN) | 25 - 24 | 2C12 | CYLINDER LINERS (6076) | 26 - 15 |
| 1E5 | COVER, TIMING GEAR (TH001, HH001, HH004) (ESN -499999) | 25 - 25 | 7C7 | CYLINDER SHEAR BAR | 120 - 14 |
| 7F9 | CRANK, STRAW WALKER, STRAW SPREADER DRIVE AND SHIELD | 120 - 86 | 5E8 | CYLINDER SPEED AND REEL LIFT, SOLENOID CONTROL VALVE | 70 - 64 |
| 1C13 | CRANKCASE, ENGINE, OIL DRAIN..... | 20 - 20 | 5E1 | CYLINDER SPEED HYDRAULIC LINES AND HOSES .. | 70 - 56 |
| 2C13 | CRANKSHAFT (ESN 500000-) | 26 - 16 | 7C21 | CYLINDER THRESHING, SPIKE TOOTH | 120 - 28 |
| 1D24 | CRANKSHAFT (HH001 OR HH004) (ESN -499999)(MKD RE53201) | 25 - 18 | 4H5 | CYLINDER, BRAKE SLAVE | 60 - 18 |
| 1D25 | CRANKSHAFT (HH003) (LATE DESIGN-STD HP) (ESN -499999)(MKD RE53203 OR RE42675)..... | 25 - 19 | 4H1 | CYLINDER, BRAKE, MASTER | 60 - 14 |
| 1D24 | CRANKSHAFT (TH001 - EARLY DESIGN) (STD HP)(MKD RE53201)..... | 25 - 18 | 5F7 | CYLINDER, DRIVE, GRAIN TANK UNLOADING..... | 70 - 90 |
| 2F9 | CRANKSHAFT DAMPER, NO PULLEY GROOVES | 26 - 88 | 5D9 | CYLINDER, HEADER LIFT, HYDRAULIC | 70 - 39 |
| 1G20 | CRANKSHAFT DAMPER, NO PULLEY GROOVES (EARLY DESIGN) | 25 - 94 | 5D8 | CYLINDER, HYDRAULIC, HEADER LIFT | 70 - 38 |
| 2C17 | CRANKSHAFT FRONT OIL SEAL (ESN 500000-)..... | 26 - 20 | 5F5 | CYLINDER, HYDRAULIC, UNLOADING AUGER SWING, LINES AND HOSES | 70 - 88 |
| 1E5 | CRANKSHAFT FRONT OIL SEAL (TH001,HH001,HH004)(ESN -499999) | 25 - 25 | 4G21 | CYLINDER, MASTER | 60 - 10 |
| 1E4 | CRANKSHAFT FRONT OIL SEAL (HH003) (EARLY DESIGN) | 25 - 24 | 4H23 | CYLINDER, STEERING (4-WHEEL DRIVE)..... | 60 - 36 |
| 9D20 | CROSS AUGER BEARING PLATE, L.H. | 130 - 52 | 7C9 | CYLINDER, THRESHING, RASP BAR | 120 - 16 |
| 9D24 | CROSS AUGER COVERS AND CHANNEL..... | 130 - 56 | 7C11 | CYLINDER, THRESHING, RASP BAR | 120 - 18 |
| 9D22 | CROSS AUGER, GRAIN TANK | 130 - 54 | 5F17 | CYLINDER, TILT - CONTOUR MASTER (660301-) | 70 - 100 |
| 5G16 | CROSS BRACE, SEPARATOR..... | 80 - 2 | 5F19 | CYLINDER, TILT, HOSES AND FITTINGS - CONTOUR MASTER (660301-) | 70 - 102 |
| 6E13 | CUP HOLDER (660301-) | 90 - 70 | 5F9 | CYLINDER, UNLOADING AUGER SWING HYDRAULIC (-650300) | 70 - 92 |
| 7C13 | CURTAIN, BEATER GRATE (652179-) | 120 - 20 | 5F11 | CYLINDER, UNLOADING AUGER SWING HYDRAULIC (650301-657573) | 70 - 94 |
| 9C24 | CURTAIN, GRAIN TANK | 130 - 32 | 5F13 | CYLINDER, UNLOADING AUGER SWING HYDRAULIC (657574-) | 70 - 96 |
| 8H13 | CURTAIN, SEPARATOR (-642457) | 125 - 44 | | | |
| 8H15 | CURTAIN, SPREADER (642458-) | 125 - 46 | | | |
| 5C8 | CUTTING PLATFORM , 200 SERIES CONVERSION PARTS | 70 - 13 | | | |
| 1D10 | CYLINDER BLOCK (EARLY DESIGN (WITHOUT HEAD BOLTS) | 25 - 4 | | | |
| 2C1 | CYLINDER BLOCK FITTINGS (ESN 500000-)..... | 26 - 4 | | | |
| 1D12 | CYLINDER BLOCK FITTINGS (WITH HEAD BOLTS) | 25 - 6 | | | |
| 7B19 | CYLINDER COVER, THRESHING | 120 - 1 | | | |
| 7C1 | CYLINDER DOOR (CORN AND GRAIN) (650301-656005) | 120 - 8 | | | |
| 7B24 | CYLINDER DOOR (FOR CORN) (-650300) | 120 - 6 | | | |

D

ALPHABETICAL INDEX - CONTINUED

| GRID | | PAGE | GRID | | PAGE |
|------|--|----------|------|--|-----------|
| 9F5 | DECALS, SAFETY AND LOCATIONS | 170 - 14 | 9C14 | DRIVE IDLER, CLEAN GRAIN ELEVATOR | 130 - 22 |
| 9F7 | DECALS, SAFETY AND LOCATIONS - FRENCH..... | 170 - 16 | 8C7 | DRIVE SHAFT, GEARCASE AND PRIMARY COUNTERSHAFT | 121 - 14 |
| 9F11 | DECALS, SAFETY AND LOCATIONS - FRENCH..... | 170 - 20 | 4C8 | DRIVE SHAFTS | 50 - 13 |
| 9F15 | DECALS, SAFETY AND LOCATIONS - FRENCH..... | 170 - 24 | 4C9 | DRIVE SHAFTS | 50 - 14 |
| 9F19 | DECALS, SAFETY AND LOCATIONS - FRENCH..... | 170 - 28 | 5H23 | DRIVE SHIELD, R.H. REAR | 80 - 34 |
| 9F23 | DECALS, SAFETY AND LOCATIONS - FRENCH..... | 170 - 32 | 6G8 | DRIVE SHIELDS, CONTOUR MASTER FEEDER HOUSE (660301-661261) | 110 - 16 |
| 9G16 | DECALS, TOP | 170 - 50 | 6G10 | DRIVE SHIELDS, CONTOUR MASTER FEEDER HOUSE (661262-) | 110 - 18 |
| 8F20 | DECK, SUPPORTS AND FINS, STRAW CHOPPER..... | 125 - 2 | 6G6 | DRIVE SHIELDS, SAFETY STOP, FEEDER HOUSE | 110 - 14 |
| 8G3 | DEFLECTORS AND CORN CURTAIN | 125 - 10 | 8F1 | DRIVE SHIELDS, STRAW CHOPPER (640301-) | 121 - 80 |
| 9E13 | DIAL-A-MATIC ELECTRICAL HARNESS | 160 - 4 | 9C14 | DRIVE TIGHTENER, CLEAN GRAIN ELEVATOR | 130 - 22 |
| 9E11 | DIAL-A-MATIC HEADER HEIGHT CONTROL HYDRAULIC LINE AND VALVE BLOCK | 160 - 2 | 8E11 | DRIVE TIGHTENER, FEEDER HOUSE | 121 - 66 |
| 9E12 | DIAL-A-MATIC HEADER HEIGHT CONTROL VALVE BLOCK SOLENOID | 160 - 3 | 6G4 | DRIVE TIGHTENER, FIXED SPEED FEEDER HOUSE..... | 110 - 12 |
| 5D11 | DIAL-A-MATIC HEADER HEIGHT CONTROL, VALVE BLOCK SOLENOID | 70 - 41 | 6G3 | DRIVE TIGHTENER, VARIABLE SPEED | 110 - 10 |
| 4C23 | DIFFERENTIAL GEARS | 50 - 28 | 4C3 | DRIVE WHEELS | 50 - 8 |
| 4C23 | DIFFERENTIAL SHAFTS..... | 50 - 28 | 4C4 | DRIVE WHEELS, HIGH FLOATATION PLANETARY FINAL DRIVE | 50 - 9 |
| 3B22 | DIGITAL TACH CONNECTOR, WIRING HARNESS | 40 - 2 | 8E13 | DRIVE, BELT PICKUP / REEL PUMP MOUNTING SHEAVE | 121 - 68 |
| 1D12 | DIPSTICK TUBE | 25 - 6 | 8E1 | DRIVE, CLEANING FAN, SEPARATOR | 121 - 56 |
| 1E8 | DIPSTICK, ENGINE OIL (EARLY DESIGN) (ESN -499999)..... | 25 - 28 | 9E1 | DRIVE, COUNTERSHAFT, UNLOADING AUGER..... | 130 - 58 |
| 2C19 | DIPSTICK, ENGINE OIL (ESN 500000-) | 26 - 22 | 9E18 | DRIVE, CYLINDER INTERMEDIATE, BELTS | 170 - 3 |
| 8G11 | DISC AND DRIVE BELT, CHAFF SPREADER (-650300) | 125 - 18 | 9E18 | DRIVE, CYLINDER, BELTS..... | 170 - 3 |
| 8G13 | DISC, CHAFF SPREADER (DUAL MOTOR) (650301-) | 125 - 20 | 8E9 | DRIVE, FAN, SPEED CONTROL SHEAVE LINKAGE.... | 121 - 64 |
| 4D9 | DISPLACEMENT CONTROL VALVE, HYDRO. DR. | 50 - 38 | 8D15 | DRIVE, GEARCASE, STRAW WALKER..... | 121 - 46 |
| 3B22 | DOMELIGHT, WIRING HARNESS | 40 - 2 | 4D11 | DRIVE, HYDROSTATIC MOTOR | 50 - 40 |
| 6C3 | DOOR LATCH, CAB | 90 - 10 | 4D21 | DRIVE, HYDROSTATIC MOTOR | 50 - 50 |
| 6C5 | DOOR, CAB AND GLASS..... | 90 - 12 | 4F9 | DRIVE, HYDROSTATIC OIL HOSES, UPPER..... | 50 - 88 |
| 8G5 | DOOR, CHOPPER STRAW..... | 125 - 12 | 4F11 | DRIVE, HYDROSTATIC OIL HOSES, UPPER (655301-) | 50 - 90 |
| 9B19 | DOOR, CLEAN GRAIN LOWER AUGER | 130 - 2 | 4E20 | DRIVE, HYDROSTATIC, LOWER OIL LINES (-655300) | 50 - 74 |
| 519 | DOOR, CORNER SHEET, LEFT - HAND FRONT..... | 80 - 44 | 4E24 | DRIVE, HYDROSTATIC, LOWER OIL LINES (-655300) | 50 - 78 |
| 7C1 | DOOR, CYLINDER (CORN AND GRAIN) (650301-656005) | 120 - 8 | 4F1 | DRIVE, HYDROSTATIC, LOWER OIL LINES (FOUR WHEEL DRIVE) (655301-) | 50 - 80 |
| 7B24 | DOOR, CYLINDER (FOR CORN) (-650300) | 120 - 6 | 4F3 | DRIVE, HYDROSTATIC, LOWER OIL LINES (TWO WHEEL DRIVE) (655000-) | 50 - 82 |
| 7B22 | DOOR, CYLINDER (LESS CYLINDER BAFFLE)..... | 120 - 4 | 5C15 | DRIVE, REEL, HYD., FRONT LINES AND HOSES..... | 70 - 20 |
| 7C3 | DOOR, CYLINDER (656006-)..... | 120 - 10 | 5B23 | DRIVE, REEL, HYDRAULIC LINES AND HOSES, L.H. | 70 - 4 |
| 7C5 | DOOR, CYLINDER DOOR (ARGENTINA ONLY) | 120 - 12 | 1B18 | DRIVE, ROTARY SCREEN (-645300) | 20 - 1 |
| 5G20 | DOOR, ENGINE ACCESS..... | 80 - 6 | 8D13 | DRIVE, SECONDARY COUNTERSHAFT..... | 121 - 44 |
| 5G20 | DOOR, RADIATOR | 80 - 6 | 8E23 | DRIVE, STRAW CHOPPER, SHIELDS (-640300) | 121 - 78 |
| 1B21 | DOOR, ROTARY SCREEN (-640300) | 20 - 4 | 1C1 | DRIVES, ENGINE FAN, 6076 | 20 - 8 |
| 8G5 | DOOR, STRAW CHOPPER..... | 125 - 12 | 1C3 | DRIVES, ENGINE FAN, 6076 | 20 - 10 |
| 5E10 | DOUBLE PILOTED, AUGER SWING, SOLENOID CONTROL VALVE (-650300)..... | 70 - 66 | 8E15 | DRIVES, STRAW CHOPPER (FRONT) | 121 - 70 |
| 5E13 | DOUBLE PILOTED, REEL FORE/AFT, SOLENOID CONTROL VALVE (-650300) | 70 - 70 | 8E19 | DRIVES, STRAW CHOPPER, (REAR) | 121 - 74 |
| 8G11 | DRIVE BELT AND DISC, CHAFF SPREADER (-650300) | 125 - 18 | 8E17 | DRIVES, STRAW CHOPPER, FINE CUT (FRONT) | 121 - 72 |
| 9E3 | DRIVE BELT GUIDE, UNLOADING AUGER | 130 - 60 | 8E21 | DRIVES, STRAW CHOPPER, FINE CUT (REAR)..... | 121 - 76 |
| 8H24 | DRIVE BRACKET, TAILINGS | 125 - 55 | 6H23 | DRIVESHAFT, CONTOUR MASTER | 110 - 55A |
| 811 | DRIVE CHAIN TIGHTENER, UPPER TAILINGS | 125 - 57 | 6H21 | DRIVESHAFT, CONTOUR MASTER (660301-) | 110 - 54 |
| 4B23 | DRIVE CONTROL CABLES, HYDROSTATIC (-645300) | 50 - 4 | 4H3 | DRUM, BRAKE..... | 60 - 16 |
| 4C1 | DRIVE CONTROL CABLES, HYDROSTATIC (645301-) | 50 - 6 | 6H3 | DRUM, CHAIN AND FEEDER CONVEYOR IDLER SHAFT | 110 - 36 |
| 2C13 | DRIVE GEAR, OIL PUMP (ESN 500000-) | 26 - 16 | 3E13 | DUAL LEVEL MONITOR | 40 - 70 |
| 1D24 | DRIVE GEAR, OIL PUMP (HH001 OR HH004) (ESN -499999)(MKD RE53201) | 25 - 18 | 4C5 | DUAL WHEELS, WIDE-SPACED (PLANETARY FINAL DRIVE) | 50 - 10 |
| 1D25 | DRIVE GEAR, OIL PUMP (HH003) (LATE DESIGN)..... | 25 - 19 | 8D11 | DUAL-RANGE CYLINDER DRIVE ADJUSTING BRACKET..... | 121 - 42 |
| 1D24 | DRIVE GEAR, OIL PUMP (TH001 - EARLY DESIGN) (STD HP)(MKD RE53201) | 25 - 18 | 8D1 | DUAL-RANGE CYLINDER DRIVE GEAR CASE | 121 - 32 |
| 8D17 | DRIVE GEARCASE, STRAW WALKER | 121 - 48 | | | |
| 1H3 | DRIVE HOUSING, STARTER (ND) (NO. 028000-3292) (6076)(EARLY DESIGN)..... | 25 - 103 | | | |

ALPHABETICAL INDEX - CONTINUED

| <i>GRID</i> | | <i>PAGE</i> | <i>GRID</i> | | <i>PAGE</i> |
|-------------|---|-------------|-------------|---|-------------|
| 8D7 | DUAL-RANGE CYLINDER DRIVE INTERMEDIATE SHAFT MOUNTING..... | 121 - 38 | 2E1 | ELECTRONIC FUEL INJECTION PUMP (6076HH030)(EARLY DESIGN)..... | 26 - 58 |
| 8D9 | DUAL-RANGE CYLINDER DRIVE INTERMEDIATE SHEAVE..... | 121 - 40 | 2E5 | ELECTRONIC FUEL INJECTION PUMP (6076HH034) (ROBERT BOSCH)..... | 26 - 61A |
| 8D5 | DUAL-RANGE CYLINDER DRIVE TIGHTENER | 121 - 36 | 2E9 | ELECTRONIC FUEL INJECTION PUMP (RB) (6076HH031)(LATE DESIGN F.I.P.)..... | 26 - 64 |
| 8D3 | DUAL-RANGE LOCKOUT ARM | 121 - 34 | 2E11 | ELECTRONIC FUEL INJECTION PUMP (RB) 6076HH035) (LATE DESIGN F.I.P.)..... | 26 - 65A |
| 6D1 | DUCTS, HEATER AND AIR CONDITIONING | 90 - 33 | 3F15 | ELECTRONIC MODULE, CENTRAL AND CIRCUIT BOARDS | 40 - 96 |
| 6I5 | DUST FAN BELT, LH SIDE FEEDER HOUSE-RETROFIT INSTALLATION..... | 110 - 60 | 7E11 | ELEMENT, CHAFFER | 120 - 66 |
| 6I7 | DUST FAN, LH SIDE FEEDER HOUSE-RETROFIT INSTALLATION..... | 110 - 62 | 7E13 | ELEMENT, CHAFFER | 120 - 67A |
| | E | | 7E15 | ELEMENT, CHAFFER EXTENSION | 120 - 68 |
| 1G1 | E.C.U. (HH001) (EARLY DESIGN ENGINE) | 25 - 72 | 7E19 | ELEMENT, SIEVE | 120 - 72 |
| 1G5 | E.C.U. (HH003) (LATE DESIGN STD. HP ENGINE) (ESN 149284-499999)..... | 25 - 76 | 9C14 | ELEVATOR DRIVE IDLER, CLEAN GRAIN..... | 130 - 22 |
| 2E3 | E.C.U. (ROBERT BOSCH) (6076HH030) | 26 - 60 | 9C14 | ELEVATOR DRIVE TIGHTENER, CLEAN GRAIN..... | 130 - 22 |
| 2E5 | E.C.U. (ROBERT BOSCH) (6076HH034) | 26 - 61A | 9C16 | ELEVATOR SHIELDS, UPPER CLEAN GRAIN (-640603) | 130 - 24 |
| 1G3 | E.C.U. (TH001) (EARLY DESIGN STD. HP ENGINE)..... | 25 - 74 | 9C18 | ELEVATOR SHIELDS, UPPER CLEAN GRAIN (640604-)..... | 130 - 26 |
| 2E7 | E.C.U. (6076HH031) (DENSO) (EARLY DESIGN F.I.P.) | 26 - 62 | 9E18 | ELEVATOR, CLEAN GRAIN BELTS..... | 170 - 3 |
| 2E9 | E.C.U. (6076HH031) (ROBERT BOSCH) (LATE DESIGN F.I.P.) | 26 - 64 | 9B21 | ELEVATOR, LOWER, CLEAN GRAIN | 130 - 4 |
| 2E11 | E.C.U. (6076HH035) (ROBERT BOSCH) (LATE DESIGN F.I.P.) | 26 - 65A | 9B23 | ELEVATOR, LOWER, CLEAN GRAIN | 130 - 6 |
| 2E1 | ECU (6076HH030) (EARLY DESIGN) | 26 - 58 | 9C1 | ELEVATOR, UPPER CLEAN GRAIN | 130 - 8 |
| 3F13 | ECU, ELECTRONIC CONTROL UNIT | 40 - 94 | 5G20 | ENGINE ACCESS DOOR, HANDRAILS, AND RADIATOR DOOR..... | 80 - 6 |
| 3E5 | EITHER START SOLENOID, 6076 | 40 - 62 | 5H9 | ENGINE ACCESS PLATFORM AND STEP | 80 - 20 |
| 3E7 | EITHER START SOLENOID, 6076 | 40 - 64 | 3D24 | ENGINE AIR FILTER WARNING SWITCH..... | 40 - 57 |
| 1F6 | ELBOW, HEATER RETURN (EARLY DESIGN) (ESN -499999)..... | 25 - 51 | 3E23 | ENGINE ALTERNATOR MOUNTING | 40 - 80 |
| 3F19 | ELECTRICAL CONNECTOR SERVICE KIT | 40 - 100 | 3F11 | ENGINE CIRCUIT BREAKERS | 40 - 92 |
| 3F21 | ELECTRICAL CONNECTOR SERVICE KIT | 40 - 102 | 3F8 | ENGINE CIRCUIT BREAKERS (-660300) | 40 - 89 |
| 9E13 | ELECTRICAL HARNESS, DIAL-A-MATIC..... | 160 - 4 | 3F9 | ENGINE CIRCUIT BREAKERS (660301-)..... | 40 - 90 |
| 3G1 | ELECTRICAL SERVICE OUTLET..... | 40 - 107 | 5H1 | ENGINE COMPARTMENT (-640300) | 80 - 12 |
| 1G16 | ELECTRICAL TERMINALS AND CONNECTORS, WEATHERPACK | 25 - 90 | 5H3 | ENGINE COMPARTMENT (-640300) | 80 - 14 |
| 3F17 | ELECTRICAL TERMINALS AND CONNECTORS, WEATHERPACK | 40 - 98 | 5H5 | ENGINE COMPARTMENT (640301-)..... | 80 - 16 |
| 2F5 | ELECTRICAL TERMINALS AND CONNECTORS, WEATHERPACK (6076) | 26 - 84 | 5H7 | ENGINE COMPARTMENT (640301-)..... | 80 - 18 |
| 8C17 | ELECTROMAGNETIC HEADER CLUTCH | 121 - 24 | 2D12 | ENGINE COOLANT HEATER | 26 - 44 |
| 2E3 | ELECTRONIC CONTROL UNIT (6076HH030) (ROBERT BOSCH)..... | 26 - 60 | 9E17 | ENGINE DRIVE BELTS..... | 170 - 2 |
| 2E5 | ELECTRONIC CONTROL UNIT (6076HH034) (ROBERT BOSCH)..... | 26 - 61A | 1C3 | ENGINE FAN DRIVES 6076 | 20 - 10 |
| 3F13 | ELECTRONIC CONTROL UNIT (ECU)..... | 40 - 94 | 1C1 | ENGINE FAN DRIVES, 6076 | 20 - 8 |
| 1G1 | ELECTRONIC CONTROL UNIT (HH001) (EARLY DESIGN ENGINE)..... | 25 - 72 | 5G5 | ENGINE GEARCASE OIL FILTER ASSEMBLY | 70 - 112 |
| 1G5 | ELECTRONIC CONTROL UNIT (HH003) (LATE DESIGN STD. HP ENGINE) (149284-499999) | 25 - 76 | 5G7 | ENGINE GEARCASE PRESSURE REGULATOR | 70 - 114 |
| 1G3 | ELECTRONIC CONTROL UNIT (TH001) (EARLY DESIGN STD. HP ENGINE)..... | 25 - 74 | 5G13 | ENGINE GEARCASE SOLENOID VALVE (PRESSURE REGULATOR) | 70 - 120 |
| 2E9 | ELECTRONIC CONTROL UNIT (6076HH031) (RB) (LATE DESIGN F.I.P.) | 26 - 64 | 8B24 | ENGINE GEARCASE- SEPARATOR DRIVE WET- CLUTCH AND PUMP DRIVE SHAFT | 121 - 6 |
| 2E11 | ELECTRONIC CONTROL UNIT (6076HH035) (RB) (LATE DESIGN F.I.P.) | 26 - 65A | 8B20 | ENGINE GEARCASE- STRAW CHOPPER, UNLOADING DRIVE AND SEPARATOR DRIVE GEAR | 121 - 2 |
| 1G1 | ELECTRONIC FUEL INJECTION PUMP (HH001) (EARLY DESIGN ENGINE) | 25 - 72 | 8C3 | ENGINE GEARCASE, SEPARATOR AND PUMP DRIVE | 121 - 10 |
| 2E3 | ELECTRONIC FUEL INJECTION PUMP (6076HH030) (ROBERT BOSCH)..... | 26 - 60 | 8C5 | ENGINE GEARCASE, SEPARATOR AND PUMP DRIVE | 121 - 12 |
| | | | 8C1 | ENGINE GEARCASE, SEPARATOR DRIVE WET- CLUTCH AND PUMP DRIVE SHAFT | 121 - 8 |
| | | | 8B22 | ENGINE GEARCASE, STRAW CHOPPER, UNLOAD- ING DRIVE AND SEPARATOR DRIVE GEAR | 121 - 4 |
| | | | 1C5 | ENGINE INTERCOOLER..... | 20 - 12 |
| | | | 1C7 | ENGINE MOUNTS (-640300)..... | 20 - 14 |
| | | | 1C8 | ENGINE MOUNTS (640301-655524) | 20 - 15 |
| | | | 1C9 | ENGINE MOUNTS (655525-)..... | 20 - 16 |
| | | | 1C7 | ENGINE MOUNTS AND REAR SUPPORT (-640300)..... | 20 - 14 |
| | | | 1C8 | ENGINE MOUNTS AND REAR SUPPORT (640301-655524) | 20 - 15 |
| | | | 1C9 | ENGINE MOUNTS AND REAR SUPPORT (655525-) | 20 - 16 |
| | | | 1D8 | ENGINE OIL (TORQ-GARD PLUS-50)..... | 25 - 1 |

ALPHABETICAL INDEX - CONTINUED

| <i>GRID</i> | | <i>PAGE</i> | <i>GRID</i> | | <i>PAGE</i> |
|-------------|--|-------------|-------------|---|-------------|
| 2B23 | ENGINE OIL (TORQ-GARD PLUS-50) | 26 - 1 | 2C9 | EXPANDED ENGINE OVERHAUL KIT(S) (ESN 500000-) | 26 - 12 |
| 1F5 | ENGINE OIL COOLER (EARLY DESIGN) (ESN -499999) | 25 - 50 | 1D20 | EXPANDED ENGINE OVERHAUL KITS (ESN -499999) | 25 - 14 |
| 2D4 | ENGINE OIL COOLER (ESN 500000-) | 26 - 34 | 6F16 | EXPORT ONLY, CAB POST INSTRUMENT PANEL, LH..... | 90 - 100 |
| 1E8 | ENGINE OIL DIPSTICK (EARLY DESIGN) (ESN -499999) | 25 - 28 | 4C11 | EXPORT, TRANSMISSION (-657284) | 50 - 16 |
| 2C19 | ENGINE OIL DIPSTICK (ESN 500000-) | 26 - 22 | 4C12 | EXPORT, TRANSMISSION (657285-) | 50 - 17 |
| 2C19 | ENGINE OIL DIPSTICK TUBE (ESN 500000-) | 26 - 22 | 1C11 | EXTENSION CORD, ENGINE BLOCK COOLANT HEATER | 20 - 18 |
| 1E8 | ENGINE OIL DIPSTICK TUBE (EARLY DESIGN) (ESN -499999) | 25 - 28 | 7E15 | EXTENSION ELEMENT, CHAFFER | 120 - 68 |
| 1E22 | ENGINE OIL FILTER (ESN -499999) | 25 - 42 | 9D1 | EXTENSION, GRAIN TANK | 130 - 34 |
| 2D4 | ENGINE OIL FILTER (ESN 500000-) | 26 - 34 | | F | |
| 3E5 | ENGINE OIL PRESSURE SENDING UNIT | 40 - 62 | 5H21 | FAN DRIVE SHIELD, L.H. | 80 - 32 |
| 3E7 | ENGINE OIL PRESSURE SENDING UNIT | 40 - 64 | 8E3 | FAN DRIVE SPEED CONTROL LINKAGE (-640300) | 121 - 58 |
| 1E14 | ENGINE OIL PUMP (EARLY DESIGN OIL PUMP) (ESN -499999) | 25 - 34 | 8E5 | FAN DRIVE SPEED CONTROL LINKAGE (640301-655300) | 121 - 60 |
| 2D1 | ENGINE OIL PUMP (ESN 500000-) | 26 - 30 | 8E7 | FAN DRIVE SPEED CONTROL LINKAGE (655301-) | 121 - 62 |
| 1E16 | ENGINE OIL PUMP (LATE DESIGN OIL PUMP) (ESN -499999) | 25 - 36 | 8E9 | FAN DRIVE SPEED CONTROL SHEAVE LINKAGE..... | 121 - 64 |
| 2D3 | ENGINE OIL PUMP INTAKE | 26 - 32 | 1C3 | FAN DRIVES, ENGINE, 6076 | 20 - 10 |
| 1E18 | ENGINE OIL PUMP INTAKE (REPLACEMENT) (USED WITH RE44118 OR RE60622) | 25 - 38 | 3C21 | FAN, AIR CONDITIONER PRESSURIZER KIT (640301-650300) | 40 - 28 |
| 2C9 | ENGINE OVERHAUL KIT(S) (ESN 500000-) | 26 - 12 | 6E20 | FAN, AIR CONDITIONING & HEATER AND PRESSURIZING | 90 - 78 |
| 1D20 | ENGINE OVERHAUL KITS (ESN -499999) | 25 - 14 | 7D19 | FAN, CLEANING | 120 - 50 |
| 3D24 | ENGINE PLUGGED AIR FILTER WARNING SWITCH .. | 40 - 57 | 7D21 | FAN, CLEANING | 120 - 52 |
| 5H1 | ENGINE RAILS | 80 - 12 | 9E19 | FAN, CLEANING, BELTS | 170 - 4 |
| 5H3 | ENGINE RAILS | 80 - 14 | 8E1 | FAN, DRIVE, CLEANING, SEPARATOR | 121 - 56 |
| 5H5 | ENGINE RAILS | 80 - 16 | 6I7 | FAN, DUST, LH SIDE FEEDER HOUSE-RETROFIT INSTALLATION..... | 110 - 62 |
| 5H7 | ENGINE RAILS | 80 - 18 | 1C1 | FAN, 6076 ENGINE | 20 - 8 |
| 1G18 | ENGINE REBUILD GASKET KIT (ESN -499999) | 25 - 92 | 6H7 | FEED PLATE LATCH HANDLE | 110 - 40 |
| 2F7 | ENGINE REBUILD GASKET KIT (ESN 500000-) | 26 - 86 | 9E17 | FEEDER CONVEYOR BELTS..... | 170 - 2 |
| 1H5 | ENGINE SPEED SENSOR (EARLY DESIGN) | 25 - 105 | 6H4 | FEEDER CONVEYOR BRACKET | 110 - 37 |
| 2F14 | ENGINE SPEED SENSOR (ESN-XXXXXX) | 26 - 93 | 6H4 | FEEDER CONVEYOR DRIVE CHAIN | 110 - 37 |
| 3E3 | ENGINE TACH SENSOR, 6076 | 40 - 60 | 6H5 | FEEDER CONVEYOR DRIVE CHAIN, TIGHTENER AND GUIDES..... | 110 - 38 |
| 3E5 | ENGINE TEMP SWITCH, 6076 | 40 - 62 | 6I3 | FEEDER CONVEYOR DRIVE CHAIN, TIGHTENER AND GUIDES-RETROFIT INATALLATION..... | 110 - 58 |
| 3E7 | ENGINE TEMP SWITCH, 6076 | 40 - 64 | 6H4 | FEEDER CONVEYOR IDLER | 110 - 37 |
| 3E5 | ENGINE TEMPERATURE SENDING UNIT | 40 - 62 | 6H3 | FEEDER CONVEYOR IDLER SHAFT, DRUM AND CHAIN | 110 - 36 |
| 3E7 | ENGINE TEMPERATURE SENDING UNIT | 40 - 64 | 5C7 | FEEDER HOUSE , HYD. HOSE, VARIABLE DRIVE..... | 70 - 12 |
| 1D22 | ENGINE UNDERHAUL KIT (STD BEARINGS) | 25 - 16 | 3H3 | FEEDER HOUSE BACKSHAFT SPEED SENSOR (645316-) | 40 - 134 |
| 2C11 | ENGINE UNDERHAUL KIT (STD BRGS) (6076) | 26 - 14 | 9E19 | FEEDER HOUSE BELTS | 170 - 4 |
| 3E5 | ENGINE, LOWER HARNESS, 6076 | 40 - 62 | 6G8 | FEEDER HOUSE DRIVE SHIELDS - CONTOUR MASTER (660301-661261) | 110 - 16 |
| 3E7 | ENGINE, LOWER HARNESS, 6076 | 40 - 64 | 6G10 | FEEDER HOUSE DRIVE SHIELDS - CONTOUR MASTER (661262-) | 110 - 18 |
| 1C10 | ENGINE, TRANSMISSION COUPLING WITH HUB..... | 20 - 17 | 6G6 | FEEDER HOUSE DRIVE SHIELDS AND SAFETY STOP | 110 - 14 |
| 3E3 | ENGINE, UPPER HARNESS, 6076 | 40 - 60 | 8E11 | FEEDER HOUSE DRIVE TIGHTENER..... | 121 - 66 |
| 4H11 | ETHER START BUTTON | 60 - 24 | 6G4 | FEEDER HOUSE DRIVE TIGHTENER (FIXED SPEED) | 110 - 12 |
| 6E14 | ETHER START BUTTON | 90 - 72 | 6I5 | FEEDER HOUSE DUST FAN BELT, LH SIDE - RETROFIT INSTALLATION | 110 - 60 |
| 2F23 | ETHER STARTING AID (-657740) | 30 - 8 | 6I7 | FEEDER HOUSE DUST FAN, LH SIDE - RETROFIT INSTALLATION | 110 - 62 |
| 2G1 | ETHER STARTING AID (657740-) | 30 - 10 | 5C21 | FEEDER HOUSE FITTINGS, HYDRAULIC, EXPORT.... | 70 - 26 |
| 2D20 | ETHER STARTING FITTINGS (6076) | 26 - 53 | 6H1 | FEEDER HOUSE FLOOR | 110 - 34 |
| 6E24 | EVAPORATOR, AIR CONDITIONER (-650300) R-12 | 90 - 82 | 6G12 | FEEDER HOUSE FRAME | 110 - 20 |
| 6F1 | EVAPORATOR, AIR CONDITIONER (650301-) R134A | 90 - 84 | | | |
| 6F12 | EVAPORATOR, HEATER UNIT | 90 - 96 | | | |
| 1F16 | EXHAUST MANIFOLD | 25 - 62 | | | |
| 2D19 | EXHAUST MANIFOLD | 26 - 52 | | | |
| 1F16 | EXHAUST MANIFOLD GASKETS..... | 25 - 62 | | | |
| 2D19 | EXHAUST MANIFOLD GASKETS..... | 26 - 52 | | | |
| 2G7 | EXHAUST PIPE AND MUFFLER | 30 - 16 | | | |
| 1E10 | EXHAUST VALVE SHIELD (ESN -499999) | 25 - 30 | | | |
| 2C20 | EXHAUST VALVE SHIELD (ESN 500000-) | 26 - 24 | | | |
| 1E10 | EXHAUST VALVES (ESN -499999) | 25 - 30 | | | |
| 2C20 | EXHAUST VALVES (ESN 500000-) | 26 - 24 | | | |

ALPHABETICAL INDEX - CONTINUED

| GRID | | PAGE | GRID | | PAGE |
|------|--|----------|------|---|----------|
| 6G16 | FEEDER HOUSE FRAME, TILT BEAM & CLOSURE PLATES, CONTOUR MASTER (660301-) | 110 - 24 | 4G2 | FINAL DRIVE SHAFT SHIELDS - PLANETARY FINAL DRIVE | 50 - 106 |
| 6H19 | FEEDER HOUSE FRONT DRIVE SHAFT, SHEAVE AND MOUNTINGS (FIXED SPEED) | 110 - 52 | 4G1 | FINAL DRIVE SHAFT SHIELDS - SINGLE REDUCTION | 50 - 105 |
| 5C11 | FEEDER HOUSE OIL COOLER | 70 - 16 | 8F11 | FINE CUT ROTOR STRAW CHOPPER (PADDLED WIDE (670820-) | 121 - 90 |
| 5C13 | FEEDER HOUSE OIL COOLER GEARBOX FITTINGS AND HOSES | 70 - 18 | 8F9 | FINE CUT ROTOR STRAW CHOPPER (STRAIGHT WIDE (670820-) | 121 - 88 |
| 5C9 | FEEDER HOUSE OIL COOLER LUBE OIL PUMP | 70 - 14 | 8E17 | FINE CUT STRAW CHOPPER DRIVES (FRONT) | 121 - 72 |
| 5C21 | FEEDER HOUSE PLUMBING- EXPORT | 70 - 26 | 8E21 | FINE CUT STRAW CHOPPER DRIVES (REAR) | 121 - 76 |
| 6D6 | FEEDER HOUSE REVERSER FOOT CONTROL | 90 - 38 | 7D3 | FINGER GRATE, SPIKE-TOOTH | 120 - 34 |
| 6F24 | FEEDER HOUSE REVERSER FOOT CONTROL | 110 - 6 | 8F20 | FINS, SUPPORTS AND DECK, STRAW CHOPPER | 125 - 2 |
| 6G14 | FEEDER HOUSE SHELL - CONTOUR MASTER (660301-) | 110 - 22 | 5C13 | FITTINGS AND HOSES, OIL COOLER, GEARBOX, FEEDER HOUSE | 70 - 18 |
| 6H9 | FEEDER HOUSE SLIP CLUTCH | 110 - 42 | 1D12 | FITTINGS BLOCK, CYLINDER (WITH HEAD BOLTS) | 25 - 6 |
| 6H17 | FEEDER HOUSE UPPER DRIVE SHAFT, SHEAVE AND MOUNTING (FIXED SPEED) | 110 - 50 | 2C1 | FITTINGS, CYLINDER BLOCK (ESN 500000-) | 26 - 4 |
| 6G21 | FEEDER HOUSE UPPER SHAFT (-645300) | 110 - 30 | 2D20 | FITTINGS, ETHER STARTING (6076) | 26 - 53 |
| 6G23 | FEEDER HOUSE UPPER SHAFT (645301-) | 110 - 32 | 2F17 | FITTINGS, FUEL TANK | 30 - 2 |
| 6G14 | FEEDER HOUSE WEAR PLATES - CONTOUR MASTER (660301-) | 110 - 22 | 2F21 | FITTINGS, TANK FUEL LINES | 30 - 6 |
| 7B20 | FEEDER HOUSE/SEPARATOR SEAL, STONE TRAP AND DOOR | 120 - 2 | 5F19 | FITTINGS, TILT CYLINDER - CONTOUR MASTER (660301-) | 70 - 102 |
| 6H11 | FEEDER HOUSE, UPPER COUNTERSHAFT VARIABLE DRIVE | 110 - 44 | 4I5 | FIXED REAR AXLE | 60 - 42 |
| 3C5 | FIELD LIGHTING, AUXILIARY | 40 - 10 | 4I10 | FIXED REAR AXLE STEERING TIE RODS | 60 - 47 |
| 3H1 | FIELD LIGHTS (660301-) | 40 - 132 | 4I11 | FIXED REAR AXLE, 4-WHEEL DRIVE, STEERING TIE RODS | 60 - 48 |
| 3B24 | FIELD LIGHTS SWITCH, AUX, OPTIONAL | 40 - 4 | 6G4 | FIXED SPEED FEEDER HOUSE DRIVE TIGHTENER | 110 - 12 |
| 2F11 | FIELD WINDING COIL (12V F4) | 26 - 90 | 5G9 | FLAT O-RING KIT, HYDRAULIC | 70 - 116 |
| 1G23 | FIELD WINDING COIL (12V F4) (ESN 136851-499999) | 25 - 98 | 6B20 | FLOOR MAT, CAB | 90 - 2 |
| 2G3 | FILTER, AIR AND INTAKE TUBES (-645300) | 30 - 12 | 6H1 | FLOOR, FEEDER HOUSE | 110 - 34 |
| 2G5 | FILTER, AIR AND INTAKE TUBES (645301-) | 30 - 14 | 5C1 | FLOW CONTROL VALVE, REEL DRIVE | 70 - 6 |
| 6C25 | FILTER, CAB AIR | 90 - 32 | 1E3 | FLYWHEEL | 25 - 22 |
| 1E22 | FILTER, ENGINE OIL (EARLY DESIGN) (ESN -499999) | 25 - 42 | 2C16 | FLYWHEEL | 26 - 19 |
| 2D4 | FILTER, ENGINE OIL (ESN 500000-) | 26 - 34 | 6B22 | FOAM, SEALS AND SOUND DEADENING, CAB | 90 - 4 |
| 2F1 | FILTER, FUEL (ESN 500000-) (HH030, HH032, HH034, HH036) | 26 - 80 | 2C22 | FOLLOWER, CAMSHAFT | 26 - 26 |
| 2F3 | FILTER, FUEL (HH031 OR HH035) | 26 - 82 | 1E9 | FOLLOWER, CAMSHAFT (EARLY DESIGN) | 25 - 29 |
| 1G14 | FILTER, FUEL (6076) (ESN -499999) | 25 - 88 | 1E6 | FOLLOWER, CAMSHAFT (ESN -499999) (TH001, HH001, HH004) | 25 - 26 |
| 5D7 | FILTER, MAIN HYDRAULIC | 70 - 36 | 2C18 | FOLLOWER, CAMSHAFT (ESN 500000-) | 26 - 21 |
| 5G5 | FILTER, OIL, ENGINE GEARCASE | 70 - 112 | 1E7 | FOLLOWER, CAMSHAFT (6076HH003) | 25 - 27 |
| 1F1 | FILTER, WEEP HOLE (WATER PUMP) (EARLY DESIGN) (ESN -499999) | 25 - 46 | 6D6 | FOOT PEDAL, FEEDER HOUSE REVERSER | 90 - 38 |
| 2D7 | FILTER, WEEP HOLE (WATER PUMP) (ESN 500000-) | 26 - 38 | 6F24 | FOOT PEDAL, FEEDER HOUSE REVERSER | 110 - 6 |
| 6E18 | FILTERS, AIR CONDITIONER AND HEATER | 90 - 76 | 4F21 | FOUR WHEEL DRIVE LINES AND HOSES, L.H. (655301-) | 50 - 100 |
| 6E18 | FILTERS, HEATER AND AIR CONDITIONING | 90 - 76 | 4H23 | FOUR-WHEEL DRIVE | 60 - 36 |
| 4C15 | FINAL DRIVE (RING AND PINION) | 50 - 20 | 4H24 | FOUR-WHEEL DRIVE | 60 - 37 |
| 4E15 | FINAL DRIVE AXLE SHAFT | 50 - 69 | 4E12 | FOUR-WHEEL DRIVE (-655300) | 50 - 66 |
| 4E16 | FINAL DRIVE AXLE SHAFT | 50 - 70 | 7E9 | FRAME ARMS, PRECLEANER CHAFFER | 120 - 64 |
| 4C17 | FINAL DRIVE AXLE, GEAR AND BEARINGS | 50 - 22 | 6C7 | FRAME, CAB AND SUPPORT | 90 - 14 |
| 4C16 | FINAL DRIVE BEARINGS | 50 - 21 | 7E17 | FRAME, CHAFFER | 120 - 70 |
| 4E15 | FINAL DRIVE BEARINGS | 50 - 69 | 6G12 | FRAME, FEEDER HOUSE | 110 - 20 |
| 4C16 | FINAL DRIVE HOUSING AND BEARING CAP | 50 - 21 | 6G16 | FRAME, FEEDER HOUSE, CONTOUR MASTER (660301-) | 110 - 24 |
| 4E18 | FINAL DRIVE INNER HOUSING | 50 - 72 | 5G16 | FRAME, SEPARATOR | 80 - 2 |
| 4E15 | FINAL DRIVE OUTER HOUSING | 50 - 69 | 8G15 | FRAME, SHIELDS AND HANDLES, CHAFF SPREADER (-650300) | 125 - 22 |
| 4E16 | FINAL DRIVE OUTER HOUSING | 50 - 70 | 7E21 | FRAME, SIEVE | 120 - 74 |
| 4E18 | FINAL DRIVE PINION SHAFT | 50 - 72 | 4F5 | FRANCE, HYDROSTATIC DRIVE OIL LINES AND HOSES, LOWER | 50 - 84 |
| 4E16 | FINAL DRIVE PINION SHAFT BEARINGS | 50 - 70 | 4F7 | FRANCE, HYDROSTATIC DRIVE OIL LINES AND HOSES, LOWER | 50 - 86 |
| 4E18 | FINAL DRIVE PINION SHAFT BEARINGS | 50 - 72 | 3C4 | FRONT AND REAR TURN AND TAIL LIGHTS | 40 - 9 |
| 4E18 | FINAL DRIVE PINION SHAFT GEARS | 50 - 72 | 4C6 | FRONT AXLE | 50 - 11 |
| 4D1 | FINAL DRIVE PINION, SHAFTS AND BEARINGS | 50 - 30 | 4C7 | FRONT AXLE | 50 - 12 |
| 4E15 | FINAL DRIVE PLANETARY PINION | 50 - 69 | 5I5 | FRONT CORNER SHEET, R H | 80 - 40 |
| | | | 2C17 | FRONT OIL SEAL (ESN 500000-) | 26 - 20 |

ALPHABETICAL INDEX - CONTINUED

| GRID | | PAGE | GRID | | PAGE |
|------|---|----------|------|--|----------|
| 1E4 | FRONT OIL SEAL (HH003) (EARLY DESIGN) | 25 - 24 | 1G5 | FUEL INJECTION PUMP (HH003) (LATE DESIGN STD. HP ENGINE) (ESN 149284-499999)..... | 25 - 76 |
| 1E5 | FRONT OIL SEAL (TH001, HH001, HH004) (ESN -499999) | 25 - 25 | 2E3 | FUEL INJECTION PUMP (ROBERT BOSCH) (6076HH030) | 26 - 60 |
| 6G1 | FRONT SHAFT WITH REVERSER (VARIABLE) | 110 - 8 | 2E5 | FUEL INJECTION PUMP (ROBERT BOSCH) (6076HH034) | 26 - 61A |
| 5I13 | FRONT SHIELD ASSEMBLY, LEFT SIDE | 80 - 48 | 1G3 | FUEL INJECTION PUMP (TH001) (EARLY DESIGN STD. HP ENGINE)..... | 25 - 74 |
| 5I19 | FRONT SHIELD ASSEMBLY, RIGHT SIDE | 80 - 54 | 2E1 | FUEL INJECTION PUMP (6076HH030) (EARLY DESIGN) | 26 - 58 |
| 4H15 | FRONT STEERING HOSES AND LINES | 60 - 28 | 2E7 | FUEL INJECTION PUMP (6076HH031) (DENSO) (EARLY DESIGN F.I.P.) | 26 - 62 |
| 6F20 | FRONT VARIABLE DRIVE SHEAVE | 110 - 2 | 2E9 | FUEL INJECTION PUMP (6076HH031) (ROBERT BOSCH) (LATE DESIGN F.I.P.) | 26 - 64 |
| 1F8 | FRONT WATER MANIFOLD (HH003) (ESN -499999)..... | 25 - 53 | 2E11 | FUEL INJECTION PUMP (6076HH035) (ROBERT BOSCH) (LATE DESIGN F.I.P.) | 26 - 65A |
| 1F7 | FRONT WATER MANIFOLD (EARLY DESIGN ENGINE) (TH001,HH001,HH004) | 25 - 52 | 2E15 | FUEL INJECTION PUMP HOUSING CONNECTOR (RB)(HH031ORHH035)(LATE DESIGN F.I.P.) | 26 - 68 |
| 2D10 | FRONT WATER MANIFOLD (ESN 500000-)..... | 26 - 42 | 1G9 | FUEL INJECTION PUMP HOUSING CONNECTOR (ROBERT BOSCH) (6076HH001/HH004)..... | 25 - 81 |
| 9G10 | FRONT WHEEL DECALS | 170 - 44 | 1F17 | FUEL INJECTION PUMP HOUSING CONNECTOR (6076) (ROBERT BOSCH) (EARLY DESIGN) | 25 - 63 |
| 2F1 | FUEL CHECK VALVE (ESN 500000-) (HH030, HH032, HH034, HH036)..... | 26 - 80 | 2E13 | FUEL INJECTION PUMP HOUSING CONNECTOR (6076HH030, HH032, HH034, HH036)..... | 26 - 66 |
| 2F3 | FUEL CHECK VALVE (HH031 OR HH035) | 26 - 82 | 1G10 | FUEL INJECTION PUMP HOUSING CONNECTORS (ND) (TH001/HH003)(ESN -499999) | 25 - 82 |
| 1G14 | FUEL CHECK VALVE (6076) (ESN -499999) (ESN -499999)..... | 25 - 88 | 2E14 | FUEL INJECTION PUMP HOUSING CONNECTORS (ND) (6076HH031) (EARLY DESIGN F.I.P.) | 26 - 67 |
| 2F1 | FUEL FILTER (ESN 500000-) (HH030, HH032, HH034, HH036)..... | 26 - 80 | 2E7 | FUEL LEAK-OFF LINE (6076HH031) (DENSO) (EARLY DESIGN F.I.P.) | 26 - 62 |
| 2F3 | FUEL FILTER (HH031 OR HH035)..... | 26 - 82 | 1F20 | FUEL LEAK-OFF LINES (HH001, HH004) (EARLY DESIGN ENG)(ESN 165439-499999)..... | 25 - 66 |
| 1G14 | FUEL FILTER (6076) (ESN -499999)..... | 25 - 88 | 1F18 | FUEL LEAK-OFF LINES (HH001, HH004) (EARLY DESIGN ENGINE) (ESN -165438) | 25 - 64 |
| 2F1 | FUEL FILTER LINES (ESN 500000-) (HH030, HH032, HH034, HH036)..... | 26 - 80 | 1F24 | FUEL LEAK-OFF LINES (HH003) (ESN 165439-499999) | 25 - 70 |
| 2F3 | FUEL FILTER LINES (HH031 OR HH035)..... | 26 - 82 | 2D23 | FUEL LEAK-OFF LINES (HH030, HH032, HH034, HH036) | 26 - 56 |
| 1G14 | FUEL FILTER LINES (6076) (ESN -499999)..... | 25 - 88 | 1F22 | FUEL INJECTION LINES (TH001, HH003) (EARLY DESIGN ENG)(ESN -165438) | 25 - 68 |
| 2F19 | FUEL GAUGE | 30 - 4 | 2D21 | FUEL INJECTION LINES (6076HH031, HH035) | 26 - 54 |
| 1F20 | FUEL INJECTION LINES (HH001, HH004) (EARLY DESIGN ENG)(ESN 165439-499999)..... | 25 - 66 | 2E20 | FUEL INJECTION NOZZLE (DENSO) (ESN 538146-) (6076HH031, HH035)..... | 26 - 74 |
| 1F18 | FUEL INJECTION LINES (HH001, HH004) (EARLY DESIGN ENGINE) (ESN -165438) | 25 - 64 | 1G12 | FUEL INJECTION NOZZLE (NIPPONDENSO) (ESN -499999)..... | 25 - 84 |
| 1F24 | FUEL INJECTION LINES (HH003) (ESN 165439-499999) | 25 - 70 | 2E23 | FUEL INJECTION NOZZLE (NIPPONDENSO) (6076HH030, HH032, HH034, OR HH036) | 26 - 78 |
| 2D23 | FUEL INJECTION LINES (HH030, HH032, HH034, HH036) | 26 - 56 | 1G11 | FUEL INJECTION NOZZLE (RB) (6076TH001 OR HH003) (EARLY DESIGN ENGINE) | 25 - 83 |
| 1F22 | FUEL INJECTION LINES (TH001, HH003) (EARLY DESIGN ENG)(ESN -165438) | 25 - 68 | 2E19 | FUEL INJECTION NOZZLE (ROBERT BOSCH) (6076HH031) (ESN 500000-538145) | 26 - 72 |
| 2D21 | FUEL INJECTION LINES (6076HH031, HH035) | 26 - 54 | 2E22 | FUEL INJECTION NOZZLE (STANADYNE) (6076HH031) | 26 - 76 |
| 2E20 | FUEL INJECTION NOZZLE (DENSO) (ESN 538146-) (6076HH031, HH035)..... | 26 - 74 | 2D21 | FUEL INJECTION NOZZLE (6076HH031, HH035) | 26 - 54 |
| 1G12 | FUEL INJECTION NOZZLE (NIPPONDENSO) (ESN -499999)..... | 25 - 84 | 1F20 | FUEL INJECTION NOZZLES (HH001, HH004) (EARLY DESIGN ENG)(ESN 165439-499999)..... | 25 - 66 |
| 2E23 | FUEL INJECTION NOZZLE (NIPPONDENSO) (6076HH030, HH032, HH034, OR HH036) | 26 - 78 | 1F18 | FUEL INJECTION NOZZLES (HH001, HH004) (EARLY DESIGN ENGINE) (ESN -165438) | 25 - 64 |
| 1G11 | FUEL INJECTION NOZZLE (RB) (6076TH001 OR HH003) (EARLY DESIGN ENGINE) | 25 - 83 | 1F24 | FUEL INJECTION NOZZLES (HH003) (ESN 165439-499999) | 25 - 70 |
| 2E19 | FUEL INJECTION NOZZLE (ROBERT BOSCH) (6076HH031) (ESN 500000-538145) | 26 - 72 | 2D23 | FUEL INJECTION NOZZLES (HH030, HH032, HH034, HH036) | 26 - 56 |
| 2E22 | FUEL INJECTION NOZZLE (STANADYNE) (6076HH031) | 26 - 76 | 1F22 | FUEL INJECTION NOZZLES (TH001, HH003) (EARLY DESIGN ENG)(ESN -165438) | 25 - 68 |
| 2D21 | FUEL INJECTION NOZZLE (6076HH031, HH035) | 26 - 54 | 1G1 | FUEL INJECTION PUMP (HH001) (EARLY DESIGN ENGINE)..... | 25 - 72 |
| 1F20 | FUEL INJECTION NOZZLES (HH001, HH004) (EARLY DESIGN ENG)(ESN 165439-499999)..... | 25 - 66 | 1G5 | FUEL INJECTION PUMP (HH003) (LATE DESIGN STD. HP ENGINE) (ESN 149284-499999)..... | 25 - 76 |
| 1F18 | FUEL INJECTION NOZZLES (HH001, HH004) (EARLY DESIGN ENGINE) (ESN -165438) | 25 - 64 | 2E3 | FUEL INJECTION PUMP (ROBERT BOSCH) (6076HH030) | 26 - 60 |
| 1F24 | FUEL INJECTION NOZZLES (HH003) (ESN 165439-499999) | 25 - 70 | 2E5 | FUEL INJECTION PUMP (ROBERT BOSCH) (6076HH034) | 26 - 61A |
| 2D23 | FUEL INJECTION NOZZLES (HH030, HH032, HH034, HH036) | 26 - 56 | 1G3 | FUEL INJECTION PUMP (TH001) (EARLY DESIGN STD. HP ENGINE)..... | 25 - 74 |
| 1F22 | FUEL INJECTION NOZZLES (TH001, HH003) (EARLY DESIGN ENG)(ESN -165438) | 25 - 68 | 2E1 | FUEL INJECTION PUMP (6076HH030) (EARLY DESIGN) | 26 - 58 |
| 1G1 | FUEL INJECTION PUMP (HH001) (EARLY DESIGN ENGINE)..... | 25 - 72 | 2E7 | FUEL INJECTION PUMP (6076HH031) (DENSO) (EARLY DESIGN F.I.P.) | 26 - 62 |
| | | | 2E9 | FUEL INJECTION PUMP (6076HH031) (ROBERT BOSCH) (LATE DESIGN F.I.P.) | 26 - 64 |
| | | | 2E11 | FUEL INJECTION PUMP (6076HH035) (ROBERT BOSCH) (LATE DESIGN F.I.P.) | 26 - 65A |
| | | | 2E15 | FUEL INJECTION PUMP HOUSING CONNECTOR (RB)(HH031ORHH035)(LATE DESIGN F.I.P.) | 26 - 68 |
| | | | 1G9 | FUEL INJECTION PUMP HOUSING CONNECTOR (ROBERT BOSCH) (6076HH001/HH004)..... | 25 - 81 |
| | | | 1F17 | FUEL INJECTION PUMP HOUSING CONNECTOR (6076) (ROBERT BOSCH) (EARLY DESIGN) | 25 - 63 |
| | | | 2E13 | FUEL INJECTION PUMP HOUSING CONNECTOR (6076HH030, HH032, HH034, HH036)..... | 26 - 66 |
| | | | 1G10 | FUEL INJECTION PUMP HOUSING CONNECTORS (ND) (TH001/HH003)(ESN -499999) | 25 - 82 |
| | | | 2E14 | FUEL INJECTION PUMP HOUSING CONNECTORS (ND) (6076HH031) (EARLY DESIGN F.I.P.) | 26 - 67 |
| | | | 2E7 | FUEL LEAK-OFF LINE (6076HH031) (DENSO) (EARLY DESIGN F.I.P.) | 26 - 62 |
| | | | 1F20 | FUEL LEAK-OFF LINES (HH001, HH004) (EARLY DESIGN ENG)(ESN 165439-499999)..... | 25 - 66 |
| | | | 1F18 | FUEL LEAK-OFF LINES (HH001, HH004) (EARLY DESIGN ENGINE) (ESN -165438) | 25 - 64 |
| | | | 1F24 | FUEL LEAK-OFF LINES (HH003) (ESN 165439-499999) | 25 - 70 |
| | | | 2D23 | FUEL LEAK-OFF LINES (HH030, HH032, HH034, HH036) | 26 - 56 |
| | | | 2E3 | FUEL LEAK-OFF LINES (ROBERT BOSCH) (6076HH030) | 26 - 60 |
| | | | 2E5 | FUEL LEAK-OFF LINES (ROBERT BOSCH) (6076HH034) | 26 - 61A |
| | | | 1F22 | FUEL LEAK-OFF LINES (TH001, HH003) (EARLY DESIGN ENG)(ESN -165438) | 25 - 68 |
| | | | 2E1 | FUEL LEAK-OFF LINES (6076HH030) (EARLY DESIGN) | 26 - 58 |
| | | | 2E9 | FUEL LEAK-OFF LINES (6076HH031) (ROBERT BOSCH) (LATE DESIGN F.I.P.) | 26 - 64 |
| | | | 2D21 | FUEL LEAK-OFF LINES (6076HH031, HH035) | 26 - 54 |
| | | | 2E11 | FUEL LEAK-OFF LINES (6076HH035) (ROBERT BOSCH) (LATE DESIGN F.I.P.) | 26 - 65A |
| | | | 2F19 | FUEL PUMP, AND SENDER..... | 30 - 4 |
| | | | 2F19 | FUEL SENDER | 30 - 4 |
| | | | 2E1 | FUEL SHUT-OFF SOLENOID HOUSING (6076HH030) (EARLY DESIGN) | 26 - 58 |
| | | | 2F17 | FUEL TANK, SUPPORTS, AND FITTINGS | 30 - 2 |
| | | | 2E17 | FUEL TRANSFER PUMP (DENSO) (ESN 500000-538145) (6076HH031) | 26 - 70 |
| | | | 2E16 | FUEL TRANSFER PUMP (RB) (ESN 5000000-) (6076HH030, HH032, HH034, HH036)..... | 26 - 69 |
| | | | 2E18 | FUEL TRANSFER PUMP (ROBERT BOSCH) (ESN 538146-) (6076HH031, HH035) | 26 - 71 |
| | | | 1G7 | FUEL TRANSFER PUMP (ROBERT BOSCH) (HH001/HH004) (ESN -499999) | 25 - 79 |
| | | | 1G8 | FUEL TRANSFER PUMP (TH001, HH003) (ND) (ESN -499999) | 25 - 80 |

ALPHABETICAL INDEX - CONTINUED

| GRID | | PAGE | GRID | | PAGE |
|------|---|----------|------|---|----------|
| | G | | | | |
| 1G18 | GASKET KIT, CYLINDER HEAD (ESN -499999)..... | 25 - 92 | 2E3 | GEAR, INJECTION PUMP (ROBERT BOSCH) (6076HH030) | 26 - 60 |
| 2F7 | GASKET KIT, CYLINDER HEAD (ESN 500000-)..... | 26 - 86 | 2E5 | GEAR, INJECTION PUMP (ROBERT BOSCH) (6076HH034) | 26 - 61A |
| 1G18 | GASKET KIT, ENGINE REBUILD (ESN -499999)..... | 25 - 92 | 1G3 | GEAR, INJECTION PUMP (TH001) (EARLY DESIGN STD. HP ENGINE)..... | 25 - 74 |
| 2F7 | GASKET KIT, ENGINE REBUILD (ESN 500000-)..... | 26 - 86 | 2E9 | GEAR, INJECTION PUMP (6076HH031) (ROBERT BOSCH) (LATE DESIGN F.I.P.) | 26 - 64 |
| 1G18 | GASKET KIT, SHORT BLOCK (ESN -499999)..... | 25 - 92 | 2E11 | GEAR, INJECTION PUMP (6076HH035) (ROBERT BOSCH) (LATE DESIGN F.I.P.) | 26 - 65A |
| 2F7 | GASKET KIT, SHORT BLOCK (ESN 500000-)..... | 26 - 86 | 1E7 | GEAR, INJECTION PUMP DRIVE (6076HH003)..... | 25 - 27 |
| 1E10 | GASKET, CYLINDER HEAD (ESN -499999)..... | 25 - 30 | 2C13 | GEAR, OIL PUMP DRIVE (ESN 500000-)..... | 26 - 16 |
| 2C20 | GASKET, CYLINDER HEAD(ESN 500000-)..... | 26 - 24 | 1D24 | GEAR, OIL PUMP DRIVE (HH001 OR HH004) (ESN -499999)(MKD RE53201) | 25 - 18 |
| 1F16 | GASKET, EXHAUST MANIFOLD | 25 - 62 | 1D25 | GEAR, OIL PUMP DRIVE (HH003) (LATE DESIGN)..... | 25 - 19 |
| 2D19 | GASKET, EXHAUST MANIFOLD | 26 - 52 | 1D24 | GEAR, OIL PUMP DRIVE (TH001 - EARLY DESIGN) (STD HP)(MKD RE53201) | 25 - 18 |
| 2D13 | GASKET, INTAKE MANIFOLD | 26 - 45 | 2D1 | GEAR, OIL PUMP DRIVE(ESN 500000-)..... | 26 - 30 |
| 2D14 | GASKET, INTAKE MANIFOLD | 26 - 46 | 1E3 | GEAR, STARTER..... | 25 - 22 |
| 1F9 | GASKET, INTAKE MANIFOLD (ESN -499999)..... | 25 - 54 | 2C16 | GEAR, STARTER..... | 26 - 19 |
| 2D4 | GASKET, OIL COOLER (ESN 500000-) | 26 - 34 | 4C19 | GEAR, TRANSMISSION | 50 - 24 |
| 2D4 | GASKET, OIL FILTER HOUSING (ESN 500000-)..... | 26 - 34 | 4C21 | GEAR, TRANSMISSION PINION | 50 - 26 |
| 1E24 | GASKET, OIL PAN | 25 - 45 | 5C13 | GEARBOX FITTINGS AND HOSES, OIL COOLER, FEEDER HOUSE..... | 70 - 18 |
| 2D6 | GASKET, OIL PAN | 26 - 36 | 8D15 | GEARCASE DRIVE, STRAW WALKER | 121 - 46 |
| 1E2 | GASKET, REAR OIL SEAL | 25 - 21 | 9C12 | GEARCASE, CLEAN GRAIN ELEVATOR | 130 - 20 |
| 2C15 | GASKET, REAR OIL SEAL (6076) | 26 - 18 | 8C7 | GEARCASE, DRIVE SHAFT AND PRIMARY COUNTERSHAFT | 121 - 14 |
| 1E12 | GASKET, ROCKER ARM COVER | 25 - 32 | 8B24 | GEARCASE, ENGINE | 121 - 6 |
| 2C23 | GASKET, ROCKER ARM COVER (6076) | 26 - 27 | 8C1 | GEARCASE, ENGINE | 121 - 8 |
| 2C17 | GASKET, TIMING GEAR COVER (ESN 500000-)..... | 26 - 20 | 8C3 | GEARCASE, ENGINE | 121 - 10 |
| 1E5 | GASKET, TIMING GEAR COVER (TH001,HH001,HH004)(ESN -499999) | 25 - 25 | 8C5 | GEARCASE, ENGINE | 121 - 12 |
| 1E4 | GASKET, TIMING GEAR COVER (HH003) (EARLY DESIGN) | 25 - 24 | 9D13 | GEARCASE, HORIZONTAL UNLOADING AUGER DRIVE | 130 - 46 |
| 1F12 | GASKET, TURBOCHARGER | 25 - 58 | 8C9 | GEARCASE, PRIMARY COUNTERSHAFT (-640300) | 121 - 16 |
| 2D15 | GASKET, TURBOCHARGER | 26 - 48 | 8C13 | GEARCASE, PRIMARY COUNTERSHAFT (-640300) | 121 - 20 |
| 1F7 | GASKET, WATER MANIFOLD (EARLY DESIGN ENGINE) (TH001,HH001,HH004) | 25 - 52 | 8C11 | GEARCASE, PRIMARY COUNTERSHAFT (640301-)..... | 121 - 18 |
| 2D10 | GASKET, WATER MANIFOLD (ESN 500000-)..... | 26 - 42 | 8C15 | GEARCASE, PRIMARY COUNTERSHAFT (640301-)..... | 121 - 22 |
| 1F8 | GASKET, WATER MANIFOLD (HH003) (ESN -499999)..... | 25 - 53 | 4C13 | GEARSHIFT LEVER AND LINKAGE | 50 - 18 |
| 1F1 | GASKET, WATER PUMP (EARLY DESIGN) (ESN -499999)..... | 25 - 46 | 6D4 | GEARSHIFT LEVER AND LINKAGE | 90 - 36 |
| 2D7 | GASKET, WATER PUMP (ESN 500000-) | 26 - 38 | 6C5 | GLASS, CAB AND DOOR | 90 - 12 |
| 3B22 | GAUGE BOARD, WIRING HARNESS | 40 - 2 | 6E5 | GLOVE BOX AND ARM REST, R.H. | 90 - 62 |
| 6F22 | GEAR BOX, REVERSER..... | 110 - 4 | 2E7 | GOVERNOR, ELECTRONIC INJECTION PUMP (6076HH031) (ND) (EARLY DESIGN F.I.P.) | 26 - 62 |
| 8D1 | GEAR CASE, DUAL-RANGE CYLINDER DRIVE..... | 121 - 32 | 9C24 | GRAIN TANK AND CURTAINS..... | 130 - 32 |
| 9D3 | GEAR CASE, VERTICAL AUGER LOWER | 130 - 36 | 9C22 | GRAIN TANK BASE..... | 130 - 30 |
| 1E6 | GEAR, CAMSHAFT (ESN -499999)(W/R86565 GEAR)(TH001, HH001, HH004) | 25 - 26 | 9D22 | GRAIN TANK CROSS AUGERS..... | 130 - 54 |
| 2C18 | GEAR, CAMSHAFT (ESN 500000-) | 26 - 21 | 3E13 | GRAIN TANK DUAL LEVEL MONITOR HARNESS..... | 40 - 70 |
| 4C23 | GEAR, DIFFERENTIAL | 50 - 28 | 9D1 | GRAIN TANK EXTENSIONS..... | 130 - 34 |
| 4C17 | GEAR, FINAL DRIVE..... | 50 - 22 | 7E7 | GRAIN TANK LEAK KIT | 120 - 62 |
| 4E16 | GEAR, FINAL DRIVE PINION SHAFT | 50 - 70 | 3E11 | GRAIN TANK LEVEL MONITOR..... | 40 - 68 |
| 4E18 | GEAR, FINAL DRIVE PINION SHAFT | 50 - 72 | 3E11 | GRAIN TANK LIGHT | 40 - 68 |
| 2E1 | GEAR, FUEL INJECTION PUMP (6076HH030) (EARLY DESIGN) | 26 - 58 | 3F7 | GRAIN TANK LIGHTS | 40 - 88 |
| 2E7 | GEAR, FUEL INJECTION PUMP (6076HH031) (ND) (EARLY DESIGN F.I.P.) | 26 - 62 | 9C20 | GRAIN TANK TOP..... | 130 - 28 |
| 1G5 | GEAR, INJ PUMP (HH003) (LATE DESIGN STD. HP ENGINE) (ESN 149284-499999)..... | 25 - 76 | 3E11 | GRAIN TANK UNLOADING AUGER LIMIT SWITCH | 40 - 68 |
| 1G1 | GEAR, INJECTION PUMP (HH001) (EARLY DESIGN ENGINE)..... | 25 - 72 | 5F7 | GRAIN TANK UNLOADING DRIVE CYLINDER..... | 70 - 90 |
| | | | 5F7 | GRAIN TANK UNLOADING DRIVE CYLINDER MOUNTING | 70 - 90 |
| | | | 9D5 | GRAIN TANK VERTICAL UNLOADING AUGER | 130 - 38 |
| | | | 9D5 | GRAIN TANK VERTICAL UNLOADING AUGER HOUSING..... | 130 - 38 |

ALPHABETICAL INDEX - CONTINUED

| <i>GRID</i> | | <i>PAGE</i> | <i>GRID</i> | | <i>PAGE</i> |
|-------------|---|-------------|-------------|--|-------------|
| 3E11 | GRAIN TANK WIRING HARNESS, LIGHT, LIMIT SWITCH AND LEVEL MONITOR | 40 - 68 | 6F16 | HEADER HEIGHT CONTROL GAUGE, LH CAB POST (EXPORT ONLY) | 90 - 100 |
| 7C15 | GRATE AND RASP BAR CONCAVE | 120 - 22 | 9E11 | HEADER HEIGHT CONTROL, DIAL-A-MATIC HYDRAULIC LINE AND VALVE BLOCK | 160 - 2 |
| 7C17 | GRATE AND RASP BAR CONCAVE | 120 - 24 | 5D11 | HEADER HEIGHT CONTROL, DIAL-A-MATIC, VALVE BLOCK SOLENOID | 70 - 41 |
| 7C13 | GRATE CURTAIN, BEATER (652179-) | 120 - 20 | 9E13 | HEADER HEIGHT CONTROL, ELECTRIC HARNESS, DIAL-A-MATIC | 160 - 4 |
| 7D3 | GRATE, FINGER, SPIKE-TOOTH | 120 - 34 | 5D9 | HEADER LIFT CYLINDER, HYDRAULIC | 70 - 39 |
| 8G7 | GUARD AND STRAW SPREADER MOUNTING | 125 - 14 | 5D8 | HEADER LIFT HYDRAULIC CYLINDER | 70 - 38 |
| 6H5 | GUIDES, TIGHTENER AND FEEDER CONVEYOR DRIVE CHAIN | 110 - 38 | 5D10 | HEADER LIFT HYDRAULIC CYLINDER KIT | 70 - 40 |
| 6I3 | GUIDES, TIGHTENER AND FEEDER CONVEYOR DRIVE CHAIN-RETROFIT INSTALLATION | 110 - 58 | 5D3 | HEADER LIFT LINES AND HOSES | 70 - 32 |
| | H | | 5E6 | HEADER LIFT MODULE, SOLENOID VALVE | 70 - 62 |
| 5D14 | HALF GALLON DUAL ACCUMULATOR | 70 - 44 | 4B21 | HEADER LIFT/LOWER SWITCH | 50 - 2 |
| 6C23 | HAND RAIL, R.H. | 90 - 30 | 3G16 | HEADER LIGHTS, (EXPORT ONLY) | 40 - 122 |
| 6C3 | HANDLE, CAB DOOR | 90 - 10 | 1A10 | HEADERS | 10 - 9 |
| 8G15 | HANDLE, CHAFF SPREADER FRAME | 125 - 22 | 3G18 | HEADLIGHT UNDER CAB, (EXPORT ONLY) | 40 - 124 |
| 7B22 | HANDLE, CYLINDER DOOR | 120 - 4 | 1F16 | HEAT SHIELD | 25 - 62 |
| 8G17 | HANDLES AND SHIELDS, CHAFF SPREADER (DUAL MOTOR) (650301-) | 125 - 24 | 6E20 | HEATER & AIR CONDITIONING AND PRESSURIZING FAN | 90 - 78 |
| 6C11 | HANDRAILS, OPERATOR'S PIVOTING PLATFORM | 90 - 18 | 3C23 | HEATER AND AIR CONDITIONER SWITCH | 40 - 30 |
| 5G20 | HANDRAILS, REAR LADDER LANDING | 80 - 6 | 6D1 | HEATER AND AIR CONDITIONING DUCTS | 90 - 33 |
| 6F14 | HARDWARE KIT, CAB | 90 - 98 | 6E18 | HEATER AND AIR CONDITIONING HOUSING AND FILTERS | 90 - 76 |
| 6F5 | HARDWARE KIT, COMPRESSOR (-650300) R-12 | 90 - 88 | 3C15 | HEATER AND AIR CONDITONER (WIRING HARNESS) (-660300) | 40 - 22 |
| 3G2 | HARNESS CONNECTORS, LOWER, FOR 6076 ENGINE | 40 - 108 | 1F6 | HEATER RETURN ELBOW (EARLY DESIGN) (ESN -499999) | 25 - 51 |
| 3G4 | HARNESS CONNECTORS, UPPER (6076 ENGINE) | 40 - 110 | 6F12 | HEATER SYSTEM | 90 - 96 |
| 3D15 | HARNESS FOR REAR LIGHTS AND SHIELDS | 40 - 48 | 3C15 | HEATER WIRING HARNESS (-660300) | 40 - 22 |
| 3D11 | HARNESS WIRING, MAIN, L.H. CENTER | 40 - 44 | 3C17 | HEATER WIRING HARNESS (660301-) | 40 - 24 |
| 3E5 | HARNESS, LOWER, ENGINE, 6076 | 40 - 62 | 1C11 | HEATER, COOLANT, ENGINE BLOCK | 20 - 18 |
| 3E7 | HARNESS, LOWER, ENGINE, 6076 | 40 - 64 | 2D12 | HEATER, ENGINE COOLANT | 26 - 44 |
| 3E3 | HARNESS, UPPER, ENGINE, 6076 | 40 - 60 | 6D17 | HEIGHT ADJUSTER, CAB SEAT | 90 - 50 |
| 1G1 | HARNESS, WIRING (HH001) (EARLY DESIGN ENGINE) | 25 - 72 | 3G20 | HEIGHT SENSOR, STUBBLE, (EXPORT ONLY) | 40 - 126 |
| 2E3 | HARNESS, WIRING (ROBERT BOSCH) (6076HH030) | 26 - 60 | 4C4 | HIGH FLOATATION DRIVE WHEELS PLANETARY FINAL DRIVE | 50 - 9 |
| 2E5 | HARNESS, WIRING (ROBERT BOSCH) (6076HH034) | 26 - 61A | 6E24 | HIGH PRESSURE SWITCH, AIR CONDITIONER (-650300) R-12 | 90 - 82 |
| 1G3 | HARNESS, WIRING (TH001) (EARLY DESIGN) (EARLY DESIGN STD. HP ENGINE) | 25 - 74 | 6F1 | HIGH PRESSURE SWITCH, AIR CONDITIONER (650301-) R134A | 90 - 84 |
| 2E1 | HARNESS, WIRING (6076HH030) (EARLY DESIGN) | 26 - 58 | 9B19 | HINGED DOOR, LOWER AUGER, CLEAN GRAIN | 130 - 2 |
| 2E7 | HARNESS, WIRING (6076HH031) (DENSO) (EARLY DESIGN F.I.P.) | 26 - 62 | 3F5 | HOLDDOWN, BATTERY | 40 - 86 |
| 2E9 | HARNESS, WIRING (6076HH031) (ROBERT BOSCH) (LATE DESIGN F.I.P.) | 26 - 64 | 3F3 | HOLDDOWN, BATTERY-FRENCH | 40 - 84 |
| 2E11 | HARNESS, WIRING (6076HH035) (ROBERT BOSCH) (LATE DESIGN F.I.P.) | 26 - 65A | 6E13 | HOLDER, CUP (660301-) | 90 - 70 |
| 3C17 | HARNESS, WIRING, A/C, HEATER AND AIRSEAT (660301-) | 40 - 24 | 5H17 | HOOD, REAR | 80 - 28 |
| 3D13 | HARNESS, WIRING, MAIN, L.H. CENTER | 40 - 46 | 9D18 | HORIZONTAL UNLOADING AUGER | 130 - 50 |
| 3D7 | HARNESS, WIRING, MAIN, L.H. FRONT | 40 - 40 | 9D11 | HORIZONTAL UNLOADING AUGER HUB SUPPORT | 130 - 44 |
| 3D17 | HARNESS, WIRING, R.H. MAIN | 40 - 50 | 9D13 | HORIZONTAL UNLOADING AUGER DRIVE GEARCASE | 130 - 46 |
| 3C13 | HARNESS, WIRING, STEERING COLUMN (645905-) | 40 - 20 | 9D14 | HORIZONTAL UNLOADING AUGER HOUSING | 130 - 48 |
| 3C1 | HARVESTRAK GAUGE | 40 - 6 | 9D16 | HORIZONTAL UNLOADING AUGER HOUSING (EXPORT) | 130 - 49A |
| 6D2 | HARVESTRAK GAUGE | 90 - 34 | 9D7 | HORIZONTAL UNLOADING AUGER SWIVEL | 130 - 40 |
| 3E1 | HARVESTRAK MONITOR WIRING HARNESS | 40 - 58 | 4H11 | HORN BUTTON | 60 - 24 |
| 1E10 | HEAD BOLT KIT (ESN -499999) | 25 - 30 | 6E14 | HORN BUTTON | 90 - 72 |
| 2C20 | HEAD BOLT KIT (ESN 500000-) | 26 - 24 | 4F21 | HOSES AND LINES, FOUR WHEEL DRIVE, L.H. (655301-) | 50 - 100 |
| 1E10 | HEAD, CYLINDER (ESN -499999) | 25 - 30 | 5D3 | HOSES AND LINES, HEADER LIFT | 70 - 32 |
| 2C20 | HEAD, CYLINDER (ESN 500000-) | 26 - 24 | 5E1 | HOSES AND LINES, HYDRAULIC, CYLINDER SPEED | 70 - 56 |
| 9E19 | HEADER BELTS | 170 - 4 | 4F13 | HOSES AND LINES, HYDRO. OIL COOLER (-640300) | 50 - 92 |
| 8C17 | HEADER ELECTROMAGNETIC CLUTCH | 121 - 24 | 4F17 | HOSES AND LINES, HYDRO. OIL COOLER (665301-) | 50 - 96 |

ALPHABETICAL INDEX - CONTINUED

| <i>GRID</i> | <i>PAGE</i> | <i>GRID</i> | <i>PAGE</i> |
|--|-------------|--|-------------|
| 4F15 HOSES AND LINES, OIL COOLER, HYDROSTATIC (640301-665300) | 50 - 94 | 2E15 HOUSING CONNECTORS, FUEL INJECTION PUMP (RB)(HH031ORHH035)(LATE DESIGN F.I.P.) | 26 - 68 |
| 5F23 HOSES AND LINES, OIL COOLER, WET CLUTCH (640301-665300) | 70 - 106 | 1G9 HOUSING CONNECTORS, FUEL INJECTION PUMP (ROBERT BOSCH) (6076HH001/HH004)..... | 25 - 81 |
| 4E22 HOSES AND LINES, OIL, HYDROSTATIC DRIVE, LOWER (4 WHEEL DRIVE)(655301-) | 50 - 76 | 1F17 HOUSING CONNECTORS, FUEL INJECTION PUMP (6076) (ROBERT BOSCH) (EARLY DESIGN) | 25 - 63 |
| 5C15 HOSES AND LINES, REEL DRIVE, HYD., FRONT..... | 70 - 20 | 2E13 HOUSING CONNECTORS, FUEL INJECTION PUMP (6076HH030, HH032, HH034, HH036) | 26 - 66 |
| 5B23 HOSES AND LINES, REEL DRIVE, HYDRAULIC, L.H..... | 70 - 4 | 4C18 HOUSING COVER, TRANSMISSION AND DIFFERENTIAL | 50 - 23 |
| 5C19 HOSES AND LINES, REEL LIFT | 70 - 24 | 6E18 HOUSING, AIR CONDITIONER & HEATER | 90 - 76 |
| 4H15 HOSES AND LINES, STEERING, FRONT | 60 - 28 | 6C25 HOUSING, CAB AIR FILTER | 90 - 32 |
| 4H21 HOSES AND LINES, STEERING, REAR | 60 - 34 | 9D5 HOUSING, CHARGE, VERTICAL UNLOADING AUGER..... | 130 - 38 |
| 5F5 HOSES AND LINES, UNLOADING AUGER SWING HYDRAULIC CYLINDER | 70 - 88 | 4C16 HOUSING, FINAL DRIVE | 50 - 21 |
| 5F21 HOSES AND LINES, WET CLUTCH OIL COOLER, HYDRAULIC (-650300) | 70 - 104 | 2E1 HOUSING, FUEL SHUT-OFF SOLENOID (EARLY DESIGN) | 26 - 58 |
| 5G1 HOSES AND LINES, WET CLUTCH OIL COOLER, HYDRAULIC (665301-) | 70 - 108 | 6E18 HOUSING, HEATER/AIR CONDITIONING | 90 - 76 |
| 2G9 HOSES AND RADIATOR | 30 - 18 | 9D14 HOUSING, HORIZONTAL UNLOADING AUGER..... | 130 - 48 |
| 6E24 HOSES, AIR CONDITIONER (-650300) R-12 | 90 - 82 | 9D16 HOUSING, HORIZONTAL UNLOADING AUGER (EXPORT) | 130 - 49A |
| 6F1 HOSES, AIR CONDITIONER (650301-) R134A | 90 - 84 | 4D5 HOUSING, HYDROSTATIC PUMP | 50 - 34 |
| 5G11 HOSES, CHARGE PRESSURE (640301-) | 70 - 118 | 4D19 HOUSING, HYDROSTATIC PUMP | 50 - 48 |
| 5F7 HOSES, GRAIN TANK UNLOADING DRIVE CYLINDER | 70 - 90 | 2D4 HOUSING, OIL COOLER AND FILTER (ESN 500000-)..... | 26 - 34 |
| 6F12 HOSES, HEATER | 90 - 96 | 1E22 HOUSING, OIL FILTER (EARLY DESIGN) (ESN -499999)..... | 25 - 42 |
| 5D5 HOSES, HYDRAULIC, CONTOUR MASTER (L.H.) (OPTIONAL) (660301-) | 70 - 34 | 4E15 HOUSING, OUTER, FINAL DRIVE | 50 - 69 |
| 5C17 HOSES, HYDRAULIC, REEL PUMP..... | 70 - 22 | 1E2 HOUSING, REAR OIL SEAL..... | 25 - 21 |
| 5C7 HOSES, HYDRAULIC, VARIABLE DRIVE, FEEDER HOUSE..... | 70 - 12 | 2C15 HOUSING, REAR OIL SEAL (6076) | 26 - 18 |
| 8H7 HOSES, LINES AND MOTOR, CHAFF SPREADER (-650300) | 125 - 38 | 4I9 HOUSING, SPINDLE, REAR AXLE | 60 - 46 |
| 8H9 HOSES, LINES AND MOTOR, CHAFF SPREADER (650301-) | 125 - 40 | 1H3 HOUSING, STARTER DRIVE (ND) (NO. 028000-3292) (6076)(EARLY DESIGN)..... | 25 - 103 |
| 4H17 HOSES, LINES, STEERING, L.H. SIDE | 60 - 30 | 8H21 HOUSING, TAILINGS ELEVATOR | 125 - 52 |
| 8I16 HOSES, LUBE, L. H. | 125 - 72 | 2D10 HOUSING, THERMOSTAT, FRONT (ESN 500000-)..... | 26 - 42 |
| 8I14 HOSES, LUBE, R. H..... | 125 - 70 | 1F7 HOUSING, THERMOSTAT, FRONT (EARLY DESIGN ENGINE) (TH001,HH001,HH004) | 25 - 52 |
| 4E20 HOSES, OIL, HYDROSTATIC DRIVE, LOWER (-655300) | 50 - 74 | 1F8 HOUSING, THERMOSTAT, FRONT (HH003) (ESN -499999)..... | 25 - 53 |
| 4E24 HOSES, OIL, HYDROSTATIC DRIVE, LOWER (-655300) | 50 - 78 | 4C10 HOUSING, TRANSMISSION AND DIFFERENTIAL | 50 - 15 |
| 4F1 HOSES, OIL, HYDROSTATIC DRIVE, LOWER (FOUR WHEEL DRIVE) (655301-)..... | 50 - 80 | 2D18 HOUSING, TURBOCHARGER CENTER (AIRESEARCH) | 26 - 51 |
| 4F3 HOSES, OIL, HYDROSTATIC DRIVE, LOWER (TWO WHEEL DRIVE) (655000-)..... | 50 - 82 | 1F14 HOUSING, TURBOCHARGER CENTER (AIRESEARCH) (ESN -499999) | 25 - 60 |
| 4F9 HOSES, OIL, HYDROSTATIC DRIVE, UPPER | 50 - 88 | 2D17 HOUSING, TURBOCHARGER CENTER (SCHWITZER) 26 - 50 | 26 - 50 |
| 4F11 HOSES, OIL, HYDROSTATIC DRIVE, UPPER (655301-) | 50 - 90 | 1F15 HOUSING, TURBOCHARGER CENTER (SCHWITZER) (ESN -499999)..... | 25 - 61 |
| 5D23 HOSES, PRESSURE, HYDRAULIC | 70 - 54 | 8I4 HOUSING, UPPER TAILINGS AUGER | 125 - 60 |
| 4H9 HOSES, STEERING, UPPER | 60 - 22 | 1F6 HOUSING, WATER PUMP INLET (EARLY DESIGN) (ESN -499999) | 25 - 51 |
| 5F19 HOSES, TILT CYLINDER - CONTOUR MASTER (660301-) | 70 - 102 | 5D8 HYDRAULIC CYLINDER, HEADER LIFT | 70 - 38 |
| 5D20 HOSES, UPPER RETURN, HYDRAULIC..... | 70 - 50 | 5F9 HYDRAULIC CYLINDER, UNLOADING AUGER SWING (-650300) | 70 - 92 |
| 4F23 HOSES, 4-WHEEL DRIVE..... | 50 - 102 | 5F11 HYDRAULIC CYLINDER, UNLOADING AUGER SWING (650301-657573) | 70 - 94 |
| 8F22 HOUSING AND KNIFEBANK, STRAW CHOPPER (-655300) | 125 - 4 | 5D7 HYDRAULIC FILTER, MAIN | 70 - 36 |
| 8F24 HOUSING AND KNIFEBANK, STRAW CHOPPER (-655300) | 125 - 6 | 5C21 HYDRAULIC FITTINGS, FEEDER HOUSE, EXPORT ... | 70 - 26 |
| 8F15 HOUSING AND KNIFEBANK, STRAW CHOPPER (655301-) | 121 - 94 | 5C7 HYDRAULIC HOSE, VARIABLE DRIVE, FEEDER HOUSE..... | 70 - 12 |
| 8G1 HOUSING AND KNIFEBANK, STRAW CHOPPER (655301-) | 125 - 8 | 5D5 HYDRAULIC HOSES, CONTOUR MASTER (L.H.) (OPTIONAL) (660301-) | 70 - 34 |
| 7D13 HOUSING AND SHOE GRAIN SUPPLY AUGERS | 120 - 44 | 5C17 HYDRAULIC HOSES, REEL PUMP | 70 - 22 |
| 7D15 HOUSING AND SHOE GRAIN SUPPLY AUGERS | 120 - 46 | 5E1 HYDRAULIC LINES AND HOSES, CYLINDER SPEED | 70 - 56 |
| | | 5D3 HYDRAULIC LINES AND HOSES, HEADER LIFT | 70 - 32 |

ALPHABETICAL INDEX - CONTINUED

| GRID | PAGE | GRID | PAGE |
|------|--|------|----------|
| 2E7 | INJECTION PUMP LUBE LINE (6076HH031) (DENSO) (EARLY DESIGN F.I.P.) | | 26 - 62 |
| 2E9 | INJECTION PUMP LUBE LINE (6076HH031) (RB) (LATE DESIGN F.I.P.) | | 26 - 64 |
| 2E11 | INJECTION PUMP LUBE LINE (6076HH035) (RB) (LATE DESIGN F.I.P.) | | 26 - 65A |
| 1G1 | INJECTION PUMP, ELECTRONIC FUEL (HH001) (EARLY DESIGN ENGINE) | | 25 - 72 |
| 2E3 | INJECTION PUMP, ELECTRONIC FUEL (6076HH030) (ROBERT BOSCH)..... | | 26 - 60 |
| 2E1 | INJECTION PUMP, ELECTRONIC FUEL (6076HH030)(EARLY DESIGN)..... | | 26 - 58 |
| 2E5 | INJECTION PUMP, ELECTRONIC FUEL (6076HH034) (ROBERT BOSCH)..... | | 26 - 61A |
| 2E9 | INJECTION PUMP,ELECTRONIC FUEL (6076HH031) (RB)(LATE DESIGN F.I.P.)..... | | 26 - 64 |
| 2E11 | INJECTION PUMP,ELECTRONIC FUEL (6076HH035)(RB)(LATE DESIGN F.I.P.) | | 26 - 65A |
| 3E9 | INLET AIR TEMPERATURE SWITCH | | 40 - 66 |
| 4E1 | INNER COVER..... | | 50 - 54 |
| 4E18 | INNER HOUSING, FINAL DRIVE | | 50 - 72 |
| 4C19 | INPUT SHAFT, TRANSMISSION | | 50 - 24 |
| 1E10 | INSERTS, VALVE SEAT (ESN -499999)..... | | 25 - 30 |
| 2C20 | INSERTS, VALVE SEAT (ESN 500000-)..... | | 26 - 24 |
| 3C1 | INSTRUMENT PANEL, CAB POST | | 40 - 6 |
| 6D2 | INSTRUMENT PANEL, CAB POST | | 90 - 34 |
| 6F16 | INSTRUMENT PANEL, CAB POST LH (EXPORT ONLY) | | 90 - 100 |
| 2D13 | INTAKE MANIFOLD (EARLY DESIGN) | | 26 - 45 |
| 1F9 | INTAKE MANIFOLD (ESN -499999)..... | | 25 - 54 |
| 2D14 | INTAKE MANIFOLD (LATE DESIGN)..... | | 26 - 46 |
| 1F11 | INTAKE MANIFOLD ADAPTER (ESN 147639-165935)..... | | 25 - 56 |
| 1F9 | INTAKE MANIFOLD COUPLING (ESN -499999)..... | | 25 - 54 |
| 2D14 | INTAKE MANIFOLD GASKET..... | | 26 - 46 |
| 2D13 | INTAKE MANIFOLD GASKETS..... | | 26 - 45 |
| 1F9 | INTAKE MANIFOLD GASKETS (ESN -499999)..... | | 25 - 54 |
| 6I1 | INTAKE SHIELD..... | | 110 - 56 |
| 7D19 | INTAKE SHIELDS, CLEANING FAN..... | | 120 - 50 |
| 7D21 | INTAKE SHIELDS, CLEANING FAN..... | | 120 - 52 |
| 2G3 | INTAKE TUBES AND AIR CLEANER (-645300) | | 30 - 12 |
| 2G5 | INTAKE TUBES AND AIR CLEANER (645301-) | | 30 - 14 |
| 1E10 | INTAKE VALVES (ESN -499999) | | 25 - 30 |
| 2C20 | INTAKE VALVES (ESN 500000-) | | 26 - 24 |
| 2D3 | INTAKE, ENGINE OIL PUMP | | 26 - 32 |
| 1E18 | INTAKE, ENGINE OIL PUMP (REPLACEMENT) (USED WITH RE44118 OR RE60622)..... | | 25 - 38 |
| 1C5 | INTERCOOLER | | 20 - 12 |
| 8D7 | INTERMEDIATE SHAFT MOUNTING, CYLINDER DRIVE, DUAL-RANGE..... | | 121 - 38 |
| 8D9 | INTERMEDIATE SHEAVE, CYLINDER DRIVE, DUAL-RANGE | | 121 - 40 |
| J | | | |
| 1D12 | JETS, PISTON COOLING | | 25 - 6 |
| 1D10 | JETS, PISTON COOLING (EARLY DESIGN) (WITHOUT HEAD BOLTS) | | 25 - 4 |
| 2C1 | JETS, PISTON COOLING (ESN 500000-)..... | | 26 - 4 |
| K | | | |
| 8F17 | KEY STOCK, METRIC KIT | | 121 - 96 |
| 2C13 | KEY, DAMPER..... | | 26 - 16 |
| 1D20 | KIT(S), ENGINE OVERHAUL (ESN -499999) | | 25 - 14 |
| 2C9 | KIT(S), ENGINE OVERHAUL (ESN 500000-) | | 26 - 12 |
| 2C9 | KIT(S), EXPANDED ENGINE OVERHAUL (ESN 500000-)..... | | 26 - 12 |
| 3C21 | KIT, AIR CONDITIONER PRESSURIZER FAN (640301-650300) | | 40 - 28 |
| 6D21 | KIT, AIR SUSPENSION SEAT (665301-) | | 90 - 54 |
| 6D23 | KIT, AIR SUSPENSION SEAT (665301-) | | 90 - 56 |
| 6E1 | KIT, AIR SUSPENSION SEAT (665301-) | | 90 - 58 |
| 6E3 | KIT, AIR SUSPENSION SEAT (665301-) | | 90 - 60 |
| 5E4 | KIT, ARMATURE, SOLENOID CONTROL VALVE, RELIEF VALVE MODULE..... | | 70 - 59 |
| 6F5 | KIT, COMPRESSOR HARDWARE (-650300) R-12 | | 90 - 88 |
| 3F19 | KIT, ELECTRICAL CONNECTOR SERVICE | | 40 - 100 |
| 3F21 | KIT, ELECTRICAL CONNECTOR SERVICE | | 40 - 102 |
| 7E7 | KIT, GRAIN TANK LEAK..... | | 120 - 62 |
| 1E10 | KIT, HEAD BOLT (ESN -499999)..... | | 25 - 30 |
| 2C20 | KIT, HEAD BOLT (ESN 500000-)..... | | 26 - 24 |
| 5E6 | KIT, HEADER LIFT CONTROL VALVE REPAIR | | 70 - 62 |
| 5D10 | KIT, HEADER LIFT HYDRAULIC CYLINDER | | 70 - 40 |
| 4D11 | KIT, HYDROSTATIC DRIVE MOTOR..... | | 50 - 40 |
| 4D21 | KIT, HYDROSTATIC DRIVE MOTOR..... | | 50 - 50 |
| 6G20 | KIT, LOCKOUT ADAPTER - CONTOUR MASTER (BELT PU & 4R CORN HEADS)(660301-) | | 110 - 28 |
| 8F17 | KIT, METRIC KEY STOCK | | 121 - 96 |
| 1D23 | KIT, PISTON LINER (ESN -499999) | | 25 - 17 |
| 2C12 | KIT, PISTON/LINER (6076) (ESN 500000-)..... | | 26 - 15 |
| 5C1 | KIT, REEL DRIVE FLOW CONTROL REPAIR..... | | 70 - 6 |
| 5F3 | KIT, REEL HYDRAULIC PUMP SEAL | | 70 - 86 |
| 5E8 | KIT, REEL LIFT/VARIABLE AND CYLINDER SPEED | | 70 - 64 |
| 6D14 | KIT, RETROFIT SEAT BELT (MACHINES PRIOR TO 1996 MODEL YEAR) | | 90 - 46 |
| 5E5 | KIT, SEAL, SOLENOID CONTROL VALVE, RELIEF VALVE MODULE..... | | 70 - 60 |
| 1H1 | KIT, STARTER SOLENOID COVER (EARLY DESIGN) | | 25 - 101 |
| 4H24 | KIT, STEERING CYLINDER | | 60 - 37 |
| 7F5 | KIT, STRAW WALKER BEARING (650301-665300) | | 120 - 82 |
| 7F7 | KIT, STRAW WALKER BEARING (665301-) | | 120 - 84 |
| 3F23 | KIT, TERMINAL AND WIRING | | 40 - 104 |
| 3C19 | KIT, THERMOSTAT, AIR CONDITIONER (630301-640300) | | 40 - 26 |
| 1D22 | KIT, UNDERHAUL ENGINE (STD BEARINGS) | | 25 - 16 |
| 2C11 | KIT, UNDERHAUL ENGINE (STD BRGS) (6076) | | 26 - 14 |
| 5F15 | KIT, UNLOADING AUGER SWING HYDRAULIC CYLINDER | | 70 - 98 |
| 2D9 | KIT, WATER PUMP REPAIR (ESN 500000-)..... | | 26 - 40 |
| 1F3 | KIT, WATER PUMP REPAIR (EARLY DESIGN) (ESN -499999)..... | | 25 - 48 |
| 1D20 | KITS, EXPANDED ENGINE OVERHAUL (ESN -499999) | | 25 - 14 |
| 8F22 | KNIFEBANK AND HOUSING, STRAW CHOPPER (-655300) | | 125 - 4 |
| 8F24 | KNIFEBANK AND HOUSING, STRAW CHOPPER (-655300) | | 125 - 6 |
| 8F15 | KNIFEBANK AND HOUSING, STRAW CHOPPER (655301-) | | 121 - 94 |

ALPHABETICAL INDEX - CONTINUED

| GRID | | PAGE | GRID | | PAGE |
|------|--|----------|------|---|----------|
| 8G1 | KNIFEBANK AND HOUSING, STRAW CHOPPER (655301-) | 125 - 8 | 3C5 | LIGHTING, AUXILIARY FIELD | 40 - 10 |
| 8H1 | KNOB, CHAFF SPREADER CONTROL | 125 - 32 | 3C4 | LIGHTS, FRONT AND REAR TAIL AND TURN | 40 - 9 |
| L | | | 3E11 | LIMIT SWITCH, GRAIN TANK UNLOADING AUGER | 40 - 68 |
| 3D9 | L H MAIN WIRING HARNESS, L H FRONT | 40 - 42 | 2E7 | LINE, FUEL LEAK-OFF (6076HH031) (DENSO) (EARLY DESIGN F.I.P.) | 26 - 62 |
| 3D15 | L.H. AND R.H. MAIN WIRING HARNESS, L.H. AND R.H. REAR | 40 - 48 | 1G5 | LINE, INJ PUMP LUBE (HH003) (LATE DESIGN STD. HP ENGINE) (ESN 149284-499999) | 25 - 76 |
| 3B22 | L.H. AND R.H. RADIO SPEAKERS, WIRING HARNESS | 40 - 2 | 2E1 | LINE, INJECTION PUMP LUBE (6076HH030) (EARLY DESIGN) | 26 - 58 |
| 3D11 | L.H. MAIN WIRING HARNESS, L.H. CENTER | 40 - 44 | 2E3 | LINE, INJECTION PUMP LUBE (6076HH030) (ROBERT BOSCH) | 26 - 60 |
| 3D7 | L.H. MAIN WIRING HARNESS, L.H. FRONT | 40 - 40 | 2E5 | LINE, INJECTION PUMP LUBE (6076HH034) (ROBERT BOSCH) | 26 - 61A |
| 5I3 | L.H. SERVICE ACCESS SHIELD | 80 - 38 | 1G1 | LINE, INJECTION PUMP LUBE (HH001) (EARLY DESIGN ENGINE) | 25 - 72 |
| 4H17 | L.H. SIDE HOSES AND LINES, STEERING | 60 - 30 | 1G3 | LINE, INJECTION PUMP LUBE (TH001) (EARLY DESIGN STD. HP ENGINE) | 25 - 74 |
| 6C15 | LADDER AND LATCH, OPERATOR'S PLATFORM | 90 - 22 | 2E7 | LINE, INJECTION PUMP LUBE (6076HH031) (DENSO) (EARLY DESIGN F.I.P.) | 26 - 62 |
| 6C13 | LADDER, OPERATOR'S PLATFORM | 90 - 20 | 2E9 | LINE, INJECTION PUMP LUBE (6076HH031) (RB) (LATE DESIGN F.I.P.) | 26 - 64 |
| 5H11 | LADDER, REAR | 80 - 22 | 2E11 | LINE, INJECTION PUMP LUBE (6076HH035) (RB) (LATE DESIGN F.I.P.) | 26 - 65A |
| 3H5 | LAMP ASSEMBLY, REAR - L.H. SIDE | 40 - 136 | 1D23 | LINERS, CYLINDER | 25 - 17 |
| 6C11 | LANDING, OPERATOR'S PLATFORM | 90 - 18 | 2C12 | LINERS, CYLINDER (6076) | 26 - 15 |
| 6C13 | LANDING, OPERATOR'S PLATFORM | 90 - 20 | 8H3 | LINES AND FITTING, CHAFF SPREADER | 125 - 34 |
| 6C23 | LANDING, R.H. | 90 - 30 | 4F21 | LINES AND HOSES, FOUR WHEEL DRIVE HYDRAULIC, L.H. (655301-) | 50 - 100 |
| 5H11 | LANDING, REAR LADDER | 80 - 22 | 5D3 | LINES AND HOSES, HEADER LIFT | 70 - 32 |
| 6C15 | LATCH AND LADDER, OPERATOR'S PLATFORM | 90 - 22 | 5E1 | LINES AND HOSES, HYDRAULIC, CYLINDER SPEED | 70 - 56 |
| 5H13 | LATCH ARM, REAR LADDER LANDING (-640300) | 80 - 24 | 4F19 | LINES AND HOSES, HYDRAULIC, 4-WHEEL DRIVE, L.H. SIDE (-655300) | 50 - 98 |
| 5H15 | LATCH ARM, REAR LADDER LANDING (640301-) | 80 - 26 | 4F13 | LINES AND HOSES, HYDRO. OIL COOLER (-640300) | 50 - 92 |
| 6H7 | LATCH HANDLE, FEED PLATE | 110 - 40 | 4F17 | LINES AND HOSES, HYDRO. OIL COOLER (665301-) | 50 - 96 |
| 6C3 | LATCH, CAB DOOR | 90 - 10 | 4F15 | LINES AND HOSES, OIL COOLER, HYDROSTATIC (640301-665300) | 50 - 94 |
| 9D3 | LATCH, GRAIN TANK CLEAN OUT CHUTE | 130 - 36 | 5F23 | LINES AND HOSES, OIL COOLER, WET CLUTCH (640301-665300) | 70 - 106 |
| 6C13 | LATCH, OPERATOR'S PLATFORM | 90 - 20 | 4E22 | LINES AND HOSES, OIL, HYDROSTATIC DRIVE, LOWER (4 WHEEL DRIVE)(655301-) | 50 - 76 |
| 7D17 | LEAF SCREENS, CLEANING FAN (CORN) (660985-) | 120 - 48 | 5C15 | LINES AND HOSES, REEL DRIVE, HYD., FRONT | 70 - 20 |
| 7E7 | LEAK KIT, GRAIN TANK | 120 - 62 | 5B23 | LINES AND HOSES, REEL DRIVE, HYDRAULIC, L.H. | 70 - 4 |
| 5I13 | LEFT SIDE FRONT SHIELD ASSEMBLY | 80 - 48 | 5C19 | LINES AND HOSES, REEL LIFT | 70 - 24 |
| 5I17 | LEFT SIDE SHIELD ASSEMBLY | 80 - 52 | 4H15 | LINES AND HOSES, STEERING, FRONT | 60 - 28 |
| 6E11 | LEFT-HAND ARMREST | 90 - 68 | 4H21 | LINES AND HOSES, STEERING, REAR | 60 - 34 |
| 6C21 | LEFT-HAND LANDING AND MIRROR | 90 - 28 | 5F5 | LINES AND HOSES, UNLOADING AUGER SWING HYDRAULIC CYLINDER | 70 - 88 |
| 6C19 | LEFT-HAND LANDING AND MIRROR (-650300) | 90 - 26 | 5F21 | LINES AND HOSES, WET CLUTCH OIL COOLER, HYDRAULIC (-650300) | 70 - 104 |
| 3E13 | LEVEL MONITOR WIRING HARNESS, DUAL | 40 - 70 | 5G1 | LINES AND HOSES, WET CLUTCH OIL COOLER, HYDRAULIC (665301-) | 70 - 108 |
| 3E13 | LEVEL MONITOR, DUAL | 40 - 70 | 4F23 | LINES AND HOSES, 4-WHEEL DRIVE | 50 - 102 |
| 3E11 | LEVEL MONITOR, GRAIN TANK | 40 - 68 | 4G23 | LINES, BRAKE, RESERVOIR, MASTER CYLINDER | 60 - 12 |
| 4B21 | LEVER ASSEMBLY, GEARSHIFT | 50 - 2 | 2F1 | LINES, FUEL FILTER (ESN 50000-) (HH030, HH032, HH034, HH036) | 26 - 80 |
| 6D15 | LEVER, ADJUSTER, OPERATOR'S SEAT | 90 - 48 | 2F3 | LINES, FUEL FILTER (HH031 OR HH035) | 26 - 82 |
| 4C13 | LEVER, GEARSHIFT | 50 - 18 | 1G14 | LINES, FUEL FILTER (6076) (ESN -499999) | 25 - 88 |
| 6D4 | LEVER, GEARSHIFT | 90 - 36 | 1F18 | LINES, FUEL INJECTION (HH001, HH004) (EARLY DESIGN ENGINE) (ESN -165438) | 25 - 64 |
| 5D9 | LIFT CYLINDER, HEADER, HYDRAULIC | 70 - 39 | 1F20 | LINES, FUEL INJECTION (HH001, HH004) (EARLY DESIGN ENG)(ESN 165439-499999) | 25 - 66 |
| 1E13 | LIFT STRAPS, ENGINE | 25 - 33 | | | |
| 2C24 | LIFT STRAPS, ENGINE (6076) | 26 - 28 | | | |
| 5D10 | LIFT, HEADER, HYDRAULIC CYLINDER KIT | 70 - 40 | | | |
| 3G14 | LIGHT REAR (EXPORT ONLY) | 40 - 120 | | | |
| 3B22 | LIGHT SWITCH, CAB, WIRING HARNESS | 40 - 2 | | | |
| 3F6 | LIGHT SWITCH, SHOE ADJUSTING | 40 - 87 | | | |
| 3G18 | LIGHT UNDER CAB, (EXPORT ONLY) | 40 - 124 | | | |
| 3B21 | LIGHT, CAB DOME | 40 - 1 | | | |
| 3C3 | LIGHT, CAB ROOF | 40 - 8 | | | |
| 3H1 | LIGHT, FIELD (660301-) | 40 - 132 | | | |
| 3E11 | LIGHT, GRAIN TANK | 40 - 68 | | | |
| 3G16 | LIGHT, HEADER, (EXPORT ONLY) | 40 - 122 | | | |
| 3F7 | LIGHT, ROW | 40 - 88 | | | |
| 3G24 | LIGHT, TRANSPORT WARNING | 40 - 130 | | | |
| 3E13 | LIGHT, UNLOADING AUGER | 40 - 70 | | | |
| 3G12 | LIGHT, REVOLVING BEACON (EXPORT ONLY) | 40 - 118 | | | |
| 3C9 | LIGHTER, CIGARETTE | 40 - 14 | | | |

ALPHABETICAL INDEX - CONTINUED

| GRID | PAGE | GRID | PAGE | | |
|------|---|----------|------|---|----------|
| 1F24 | LINES, FUEL INJECTION (HH003) (ESN 165439-499999)..... | 25 - 70 | 6G18 | LOCKOUT ASSEMBLY - CONTOUR MASTER (OPTIONAL) (660301-)..... | 110 - 26 |
| 2D23 | LINES, FUEL INJECTION (HH030, HH032, HH034, HH036)..... | 26 - 56 | 3D11 | LOGIC MODULE | 40 - 44 |
| 1F22 | LINES, FUEL INJECTION (TH001, HH003) (EARLY DESIGN ENG)(ESN -165438)..... | 25 - 68 | 3D13 | LOGIC MODULE | 40 - 46 |
| 2D21 | LINES, FUEL INJECTION (6076HH031, HHO35)..... | 26 - 54 | 2C3 | Longblock, "COMPLETE BLOCK ASSEMBLY" (ESN 500000-)..... | 26 - 6 |
| 1F20 | LINES, FUEL LEAK-OFF (HH001, HH004) (EARLY DESIGN ENG)(ESN 165439-499999)..... | 25 - 66 | 3D23 | LOW SHAFT SPEED SENSORS AND BRACKETS | 40 - 56 |
| 1F18 | LINES, FUEL LEAK-OFF (HH001, HH004) (EARLY DESIGN ENGINE) (ESN -165438)..... | 25 - 64 | 9B19 | LOWER AUGER, CLEAN GRAIN | 130 - 2 |
| 1F24 | LINES, FUEL LEAK-OFF (HH003) (ESN 165439-499999)..... | 25 - 70 | 9B21 | LOWER ELEVATOR, CLEAN GRAIN | 130 - 4 |
| 2D23 | LINES, FUEL LEAK-OFF (HH030, HH032, HH034, HH036)..... | 26 - 56 | 9B23 | LOWER ELEVATOR, CLEAN GRAIN..... | 130 - 6 |
| 2E3 | LINES, FUEL LEAK-OFF (ROBERT BOSCH) (6076HH030)..... | 26 - 60 | 3E5 | LOWER HARNESS FOR 6076 ENGINE | 40 - 62 |
| 2E5 | LINES, FUEL LEAK-OFF (ROBERT BOSCH) (6076HH034)..... | 26 - 61A | 3E7 | LOWER HARNESS FOR 6076 ENGINE | 40 - 64 |
| 1F22 | LINES, FUEL LEAK-OFF (TH001, HH003) (EARLY DESIGN ENG)(ESN -165438)..... | 25 - 68 | 4E20 | LOWER HYDROSTATIC DRIVE OIL LINES AND HOSES (-655300)..... | 50 - 74 |
| 2E1 | LINES, FUEL LEAK-OFF (6076HH030) (EARLY DESIGN)..... | 26 - 58 | 4E24 | LOWER HYDROSTATIC DRIVE OIL LINES AND HOSES (-655300)..... | 50 - 78 |
| 2E9 | LINES, FUEL LEAK-OFF (6076HH031) (ROBERT BOSCH) (LATE DESIGN F.I.P.)..... | 26 - 64 | 4F1 | LOWER HYDROSTATIC DRIVE OIL LINES AND HOSES (FOUR WHEEL DRIVE)(65301-)..... | 50 - 80 |
| 2D21 | LINES, FUEL LEAK-OFF (6076HH031, HH035)..... | 26 - 54 | 4F3 | LOWER HYDROSTATIC DRIVE OIL LINES AND HOSES (TWO WHEEL DRIVE)(65000-)..... | 50 - 82 |
| 2E11 | LINES, FUEL LEAK-OFF (6076HH035) (ROBERT BOSCH) (LATE DESIGN F.I.P.)..... | 26 - 65A | 4E22 | LOWER HYDROSTATIC DRIVE OIL LINES AND HOSES (4 WHEEL DRIVE)(655301-)..... | 50 - 76 |
| 4H17 | LINES, HOSES, STEERING, L.H. SIDE..... | 60 - 30 | 8H17 | LOWER TAILINGS AUGER..... | 125 - 48 |
| 8H5 | LINES, HOSES, VALVE AND PUMP, CHAFF SPREADER | 125 - 36 | 9E20 | LOWER TAILINGS AUGER BELT | 170 - 5 |
| 5C17 | LINES, HYDRAULIC, REEL PUMP..... | 70 - 22 | 8H25 | LOWER TAILINGS AUGER CHAIN TIGHTENER | 125 - 56 |
| 4E20 | LINES, OIL, HYDROSTATIC DRIVE, LOWER (-655300)..... | 50 - 74 | 8I2 | LOWER TAILINGS AUGER DRIVE TIGHTENER | 125 - 58 |
| 4E24 | LINES, OIL, HYDROSTATIC DRIVE, LOWER (-655300)..... | 50 - 78 | 8H17 | LOWER TAILINGS AUGER SHAFT | 125 - 48 |
| 4F1 | LINES, OIL, HYDROSTATIC DRIVE, LOWER (FOUR WHEEL DRIVE) (655301-)..... | 50 - 80 | 8H17 | LOWER TAILINGS AUGER SHAFT TIGHTENER | 125 - 48 |
| 4F3 | LINES, OIL, HYDROSTATIC DRIVE, LOWER (TWO WHEEL DRIVE) (655000-)..... | 50 - 82 | 8H19 | LOWER TAILINGS AUGER TROUGH | 125 - 50 |
| 4G15 | LINES, PARKING BRAKE (-640300)..... | 60 - 4 | 8H24 | LOWER TROUGH SUPPORT..... | 125 - 55 |
| 5D23 | LINES, PRESSURE, HYDRAULIC | 70 - 54 | 9E8 | LUBE BANK, UNLOADING AUGER LOWER..... | 130 - 66 |
| 5D18 | LINES, RETURN, HYDRAULIC..... | 70 - 48 | 9E6 | LUBE BANK, UNLOADING AUGER UPPER | 130 - 64 |
| 4H19 | LINES, STEERING R.H. SIDE | 60 - 32 | 8I16 | LUBE HOSES L. H..... | 125 - 72 |
| 2F21 | LINES, TANK FUEL..... | 30 - 6 | 8I14 | LUBE HOSES R. H..... | 125 - 70 |
| 2D15 | LINES, TURBOCHARGER OIL (ESN 500000-)..... | 26 - 48 | 5C9 | LUBE OIL PUMP, FEEDER HOUSE OIL COOLER..... | 70 - 14 |
| 1F12 | LINES, TURBOCHARGER OIL (EARLY DESIGN) (ESN -499999)..... | 25 - 58 | 4C19 | LUBE PUMP, TRANSMISSION..... | 50 - 24 |
| 5D20 | LINES, UPPER RETURN, HYDRAULIC | 70 - 50 | 1D9 | LUBRICANT, ELECTRICAL CONNECTOR, ENGINE | 25 - 2 |
| 4C13 | LINKAGE, GEARSHIFT | 50 - 18 | 2B24 | LUBRICANT, ELECTRICAL CONNECTOR, ENGINE | 26 - 3 |
| 6D4 | LINKAGE, GEARSHIFT | 90 - 36 | 1D9 | LUBRICANT, VALVE STEM | 25 - 2 |
| 8E9 | LINKAGE, SHEAVE, FAN DRIVE SPEED CONTROL.... | 121 - 64 | 2B24 | LUBRICANT, VALVE STEM | 26 - 3 |
| 8E3 | LINKAGE, SPEED CONTROL, FAN DRIVE (-640300)..... | 121 - 58 | M | | |
| 8E5 | LINKAGE, SPEED CONTROL, FAN DRIVE (640301-655300)..... | 121 - 60 | 1H5 | MAGNETIC PICK-UP (EARLY DESIGN) | 25 - 105 |
| 8E7 | LINKAGE, SPEED CONTROL, FAN DRIVE (655301-)..... | 121 - 62 | 2F14 | MAGNETIC PICK-UP (ESN-XXXXXX) | 26 - 93 |
| 9C9 | LOADING AUGER, CLEAN GRAIN | 130 - 16 | 1E1 | MAIN BEARING | 25 - 20 |
| 9C11 | LOADING AUGER, CLEAN GRAIN, FOLD (660301-)..... | 130 - 18 | 1D12 | MAIN BEARING CAPS | 25 - 6 |
| 6E7 | LOCKING LEVER, ARMREST, R.H. (-640300)..... | 90 - 64 | 2C1 | MAIN BEARING CAPS (ESN 500000-)..... | 26 - 4 |
| 6G20 | LOCKOUT ADAPTER KIT - CONTOUR MASTER (BELT PU & 4R CORN HEADS)(660301-)..... | 110 - 28 | 2C14 | MAIN BEARINGS (6076)..... | 26 - 17 |
| 8D3 | LOCKOUT ARM, DUAL-RANGE | 121 - 34 | 5G16 | MAIN FRAME, SEPARATOR | 80 - 2 |
| | | | 1H2 | MAIN FRAME, STARTER (ND) (NO. 028000-3292) (6076)(EARLY DESIGN)..... | 25 - 102 |
| | | | 4G6 | MAIN HYDRAULIC PUMP - HYDROSTATIC DRIVE PUMP CONNECTING HARDWARE..... | 50 - 110 |
| | | | 9E12 | MAIN VALVE BLOCK SOLENOID DIAL-A-MATIC HEADER HEIGHT CONTROL | 160 - 3 |
| | | | 3D13 | MAIN WIRING HARNESS,L.H. CENTER | 40 - 46 |
| | | | 4E4 | MANIFOLD AND PACKINGS | 50 - 57 |
| | | | 1F16 | MANIFOLD, EXHAUST | 25 - 62 |
| | | | 2D19 | MANIFOLD, EXHAUST | 26 - 52 |
| | | | 2D13 | MANIFOLD, INTAKE (EARLY DESIGN)..... | 26 - 45 |
| | | | 1F9 | MANIFOLD, INTAKE (ESN -499999)..... | 25 - 54 |
| | | | 2D14 | MANIFOLD, INTAKE (LATE DESIGN)..... | 26 - 46 |
| | | | 1F11 | MANIFOLD, INTAKE ADAPTER (ESN 147639-165935)..... | 25 - 56 |

ALPHABETICAL INDEX - CONTINUED

| GRID | | PAGE | GRID | | PAGE |
|------|--|----------|------|--|----------|
| 1F7 | MANIFOLD, WATER, FRONT (EARLY DESIGN ENGINE) (TH001,HH001,HH004) | 25 - 52 | 2G7 | MUFFLER AND EXHAUST PIPE | 30 - 16 |
| 2D10 | MANIFOLD, WATER, FRONT (ESN 500000-) | 26 - 42 | | N | |
| 1F8 | MANIFOLD, WATER, FRONT (HH003) (ESN -499999)..... | 25 - 53 | 6E5 | NEUTRAL START SWITCH | 90 - 62 |
| 4H1 | MASTER BRAKE CYLINDER | 60 - 14 | 5G18 | NO. 1 UPRIGHT KIT | 80 - 4 |
| 4G23 | MASTER CYLINDER, RESERVOIR, BRAKE LINES | 60 - 12 | 5G19 | NO. 5 UPRIGHT KIT | 80 - 5 |
| 8F17 | METRIC KEY STOCK KIT..... | 121 - 96 | 2E20 | NOZZLE, FUEL INJECTION (DENSO) (ESN 538146-) (6076HH031, HH035)..... | 26 - 74 |
| 6C21 | MIRROR, LEFT-HAND REAR VIEW..... | 90 - 28 | 1F20 | NOZZLE, FUEL INJECTION (HH001, HH004) (EARLY DESIGN ENG)(ESN 165439-499999)..... | 25 - 66 |
| 6C19 | MIRROR, LEFT-HAND REAR VIEW (-650300) | 90 - 26 | 1F18 | NOZZLE, FUEL INJECTION (HH001, HH004) (EARLY DESIGN ENGINE) (ESN -165438) | 25 - 64 |
| 6C23 | MIRROR, R.H. | 90 - 30 | 1F24 | NOZZLE, FUEL INJECTION (HH003) (ESN 165439-499999) | 25 - 70 |
| 3F15 | MODULE, CENTRAL ELECTRONICS AND CIRCUIT BOARDS | 40 - 96 | 2D23 | NOZZLE, FUEL INJECTION (HH030, HH032, HH034, HH036) | 26 - 56 |
| 3D11 | MODULE, LOGIC..... | 40 - 44 | 1G12 | NOZZLE, FUEL INJECTION (NIPPONDENSO) (ESN -499999)..... | 25 - 84 |
| 3D13 | MODULE, LOGIC..... | 40 - 46 | 2E23 | NOZZLE, FUEL INJECTION (NIPPONDENSO) (6076HH030, HH032, HH034, OR HH036) | 26 - 78 |
| 5E22 | MODULE, SIX STACK SOLENOID CONTROL VALVE ASSEMBLY & MOUNTINGS (660301-) | 70 - 80 | 1G11 | NOZZLE, FUEL INJECTION (RB) (6076TH001 OR HH003) (EARLY DESIGN ENGINE) | 25 - 83 |
| 3E1 | MONITOR WIRING HARNESS, HARVESTRAK..... | 40 - 58 | 2E19 | NOZZLE, FUEL INJECTION (ROBERT BOSCH) (6076HH031) (ESN 500000-538145) | 26 - 72 |
| 3E11 | MONITOR, LEVEL, GRAIN TANK..... | 40 - 68 | 2E22 | NOZZLE, FUEL INJECTION (STANADYNE) (6076HH031) | 26 - 76 |
| 8G13 | MOTOR AND DISC, CHAFF SPREADER (650301-) | 125 - 20 | 1F22 | NOZZLE, FUEL INJECTION (TH001, HH003) (EARLY DESIGN ENG)(ESN -165438) | 25 - 68 |
| 4G4 | MOTOR DRIVE, HYDROSTATIC | 50 - 108 | 2D21 | NOZZLE, FUEL INJECTION (6076HH031, HH035) | 26 - 54 |
| 3F1 | MOTOR, ADJUSTING, CONCAVE | 40 - 82 | | O | |
| 3E15 | MOTOR, ADJUSTING, SEPARATOR FAN DRIVE | 40 - 72 | 5G9 | O-RINGS, HYDRAULIC, FLAT | 70 - 116 |
| 4E3 | MOTOR, CAM LOBE (STEERABLE MOTOR) | 50 - 56 | 1D23 | O-RINGS, LINER | 25 - 17 |
| 4D11 | MOTOR, HYDROSTATIC DRIVE | 50 - 40 | 2C12 | O-RINGS, LINER (6076) | 26 - 15 |
| 4D21 | MOTOR, HYDROSTATIC DRIVE | 50 - 50 | 1D9 | OFF-SEASON STORAGE KIT..... | 25 - 2 |
| 4G4 | MOTOR, HYDROSTATIC DRIVE | 50 - 108 | 2B24 | OFF-SEASON STORAGE KIT..... | 26 - 3 |
| 4D13 | MOTOR, HYDROSTATIC VALVE | 50 - 42 | 5G3 | OIL COOLER AND AIR CONDITIONING CONDENSER FOR 9600 253 HP | 70 - 110 |
| 4D16 | MOTOR, HYDROSTATIC VALVE | 50 - 45 | 1E20 | OIL COOLER BYPASS VALVE (ESN -156313)..... | 25 - 40 |
| 5C5 | MOTOR, REEL (EATON) (656147-)..... | 70 - 10 | 1E21 | OIL COOLER BYPASS VALVE (ESN 156314-499999)..... | 25 - 41 |
| 5C3 | MOTOR, REEL (TRW ROSS) (-656146)..... | 70 - 8 | 2D4 | OIL COOLER GASKET (ESN 500000-) | 26 - 34 |
| 3G6 | MOTOR, REEL SPEED, AND BRACKET..... | 40 - 112 | 4F13 | OIL COOLER LINES AND HOSES, HYDRO. (-640300) | 50 - 92 |
| 2F10 | MOTOR, STARTING (DENSO) (12V F4) | 26 - 89 | 4F17 | OIL COOLER LINES AND HOSES, HYDRO. (665301-) | 50 - 96 |
| 1G21 | MOTOR, STARTING (ND) (NO. 028000-3292) (ESN -136850)..... | 25 - 95 | 4F15 | OIL COOLER LINES AND HOSES, HYDROSTATIC (640301-665300) | 50 - 94 |
| 1G22 | MOTOR, STARTING (ND) (12V F4) (ESN 136851-499999)..... | 25 - 96 | 5F23 | OIL COOLER LINES AND HOSES, WET CLUTCH (640301-665300) | 70 - 106 |
| 3E17 | MOTOROLA-PRESTOLITE, ALTERNATOR VOLTAGE REGULATOR (90 AMP) (-636603)..... | 40 - 74 | 1F5 | OIL COOLER, ENGINE (EARLY DESIGN) (ESN -499999)..... | 25 - 50 |
| 5D14 | MOUNTING AND DUAL ACCUMULATOR HALF GALLON | 70 - 44 | 5C11 | OIL COOLER, FEEDER HOUSE | 70 - 16 |
| 8G23 | MOUNTING SUPPORT, CHAFF SPREADER | 125 - 30 | 1C13 | OIL DRAIN, ENGINE CRANKCASE | 20 - 20 |
| 3E23 | MOUNTING, ALTERNATOR | 40 - 80 | 1E4 | OIL FILLER CAP (HH003) (EARLY DESIGN) | 25 - 24 |
| 5F7 | MOUNTING, GRAIN TANK UNLOADING DRIVE CYLINDER | 70 - 90 | 1E5 | OIL FILLER CAP (TH001, HH001, HH004) (ESN -499999) | 25 - 25 |
| 5D22 | MOUNTING, HYDRAULIC/HYDRO OIL RESERVOIR | 70 - 52 | 5G5 | OIL FILTER ASSEMBLY, ENGINE GEARCASE | 70 - 112 |
| 5D16 | MOUNTING, ONE GALLON ACCUMULATOR (655301-) | 70 - 46 | 2D4 | OIL FILTER BYPASS VALVE (ESN 500000-) | 26 - 34 |
| 8G7 | MOUNTING, STRAW SPREADER AND GUARD | 125 - 14 | 1E22 | OIL FILTER BYPASS VALVE (EARLY DESIGN) (ESN -499999)..... | 25 - 42 |
| 5F9 | MOUNTING, UNLOADING AUGER SWING HYDRAULIC (-650300) | 70 - 92 | | | |
| 5F11 | MOUNTING, UNLOADING AUGER SWING HYDRAULIC (650301-657573) | 70 - 94 | | | |
| 5F13 | MOUNTING, UNLOADING AUGER SWING HYDRAULIC (657574-) | 70 - 96 | | | |
| 5E22 | MOUNTINGS, SIX STACK SOLENOID CONTROL VALVE (660301-) | 70 - 80 | | | |
| 5E17 | MOUNTINGS, SOLENOID CONTROL VAVLE MODULE ASSEMBLY | 70 - 74 | | | |
| 5E19 | MOUNTINGS, SOLENOID CONTROL VAVLE MODULE ASSEMBLY | 70 - 76 | | | |
| 5H21 | MUD AND FAN DRIVE SHIELDS, L.H. | 80 - 32 | | | |
| 5H19 | MUD SHIELD, AUGER DRIVE, R.H. | 80 - 30 | | | |
| 5H21 | MUD SHIELD, L.H. | 80 - 32 | | | |
| 5I11 | MUD SHIELD, R.H. | 80 - 46 | | | |
| 4G3 | MUD SHIELDS..... | 50 - 107 | | | |

ALPHABETICAL INDEX - CONTINUED

| GRID | | PAGE | GRID | | PAGE |
|------|---|----------|------|---|----------|
| | R | | | | |
| 3B22 | R.H. CORNERPOST, WIRING HARNESS | 40 - 2 | 5B23 | REEL DRIVE HYD. LINES AND HOSES, L.H. | 70 - 4 |
| 3D17 | R.H. MAIN WIRING HARNESS..... | 40 - 50 | 5C23 | REEL FORE-AND-AFT HYDRAULIC LINES AND HOSES, FRONT | 70 - 28 |
| 511 | R.H. SERVICE ACCESS SHIELD..... | 80 - 36 | 5D1 | REEL FORE-AND-AFT HYDRAULIC LINES, L.H. | 70 - 30 |
| 4H19 | R.H. SIDE STEERING LINES | 60 - 32 | 5E13 | REEL FORE/AFT, SOLENOID CONTROL VALVE, DOUBLE PILOTED (-650300) | 70 - 70 |
| 2G9 | RADIATOR | 30 - 18 | 5F3 | REEL HYDRAULIC PUMP SEAL KIT..... | 70 - 86 |
| 2G9 | RADIATOR AND HOSES | 30 - 18 | 5E8 | REEL LIFT AND CYLINDER SPEED, SOLENOID CONTROL VALVE..... | 70 - 64 |
| 5G20 | RADIATOR DOOR | 80 - 6 | 5C19 | REEL LIFT LINES AND HOSES..... | 70 - 24 |
| 5G22 | RADIATOR SHELL AND SEALS..... | 80 - 8 | 4B21 | REEL LIFT/LOWER OR FEEDERHOUSE SPEED CONTROL SWITCH | 50 - 2 |
| 5G24 | RADIATOR SHELL AND SEALS..... | 80 - 10 | 5C17 | REEL PUMP HOSES, HYDRAULIC | 70 - 22 |
| 1C15 | RADIATOR WITH OIL COOLER, A/C CONDENSER AND AIR INTER COOLER | 20 - 22 | 5C17 | REEL PUMP HYDRAULIC HOSES..... | 70 - 22 |
| 3D5 | RADIO, SPEAKERS AND ANTENNA | 40 - 38 | 3G22 | REEL SPEED CONTROL AND RELAYS (EXPORT ONLY) | 40 - 128 |
| 3B22 | RADIO, WIRING HARNESS | 40 - 2 | 3G6 | REEL SPEED MOTOR AND BRACKET..... | 40 - 112 |
| 7C15 | RASP BAR CONCAVE AND GRATE | 120 - 22 | 8E14 | REEL/BELT PICKUP CHARGE PUMP MOUNTING AND SHEAVE | 121 - 69 |
| 7C17 | RASP BAR CONCAVE AND GRATE | 120 - 24 | 3F11 | RELAY, ENGINE CIRCUIT BREAKER | 40 - 92 |
| 7F11 | RASP BAR CYLINDER, SEPARATOR CURTAIN | 120 - 88 | 3F8 | RELAY, ENGINE CIRCUIT BREAKER (-660300) | 40 - 89 |
| 7C9 | RASP BAR THRESHING CYLINDER..... | 120 - 16 | 3G22 | RELAYS AND REEL SPEED CONTROL (EXPORT ONLY) | 40 - 128 |
| 7C11 | RASP BAR THRESHING CYLINDER..... | 120 - 18 | 3F9 | RELAYS, ENGINE CIRCUIT BREAKER (660301-)..... | 40 - 90 |
| 6B24 | REAR AND SIDE CAB SEALS | 90 - 6 | 5E4 | RELIEF VALVE MODULE, SOLENOID CONTROL VALVE ARMATURE KIT | 70 - 59 |
| 419 | REAR AXLE SPINDLE HOUSING | 60 - 46 | 5E5 | RELIEF VALVE SEAL KIT, SOLENOID CONTROL VALVE UNLOAD MODULE..... | 70 - 60 |
| 417 | REAR AXLE SPINDLES | 60 - 44 | 5E3 | RELIEF VALVE, SOLENOID CONTROL - CONTOUR MASTER | 70 - 58 |
| 413 | REAR AXLE SUPPORT..... | 60 - 40 | 5E3 | RELIEF VALVE, SOLENOID CONTROL VALVE UNLOAD MODULE | 70 - 58 |
| 411 | REAR AXLE TRASH SHIELD..... | 60 - 38 | 2D9 | REPAIR KIT, WATER PUMP (ESN 500000-)..... | 26 - 40 |
| 416 | REAR AXLE, ADJUSTABLE | 60 - 43 | 1F3 | REPAIR KIT, WATER PUMP (EARLY DESIGN) (ESN -499999)..... | 25 - 48 |
| 415 | REAR AXLE, FIXED | 60 - 42 | 1E19 | REPLACEMENT ENGINE OIL PUMP (EARLY DESIGN) (ESN -499999) | 25 - 39 |
| 517 | REAR CORNER SHEET, L H..... | 80 - 42 | 4G23 | RESERVOIR, BRAKE LINES, MASTER CYLINDER | 60 - 12 |
| 5H17 | REAR HOOD | 80 - 28 | 5D22 | RESERVOIR, HYDRAULIC/HYDROSTATIC..... | 70 - 52 |
| 5H11 | REAR LADDER | 80 - 22 | 4G8 | RESEVOIR, RETURN LINE (640301-)..... | 50 - 112 |
| 5H11 | REAR LADDER AND LANDING | 80 - 22 | 6I5 | RETROFIT INSTALLATION - LH SIDE FEEDER HOUSE DUST FAN..... | 110 - 60 |
| 5H11 | REAR LADDER LANDING..... | 80 - 22 | 6I3 | RETROFIT INSTALLATION-FEEDER CONVEYOR DRIVE CHAIN,TIGHTENER AND GUIDES | 110 - 58 |
| 5G20 | REAR LADDER LANDING HANDRAILS..... | 80 - 6 | 6I7 | RETROFIT INSTALLATION-LH SIDE FEEDER HOUSE DUST FAN..... | 110 - 62 |
| 5H13 | REAR LADDER LANDING LATCH ARM (-640300)..... | 80 - 24 | 6D14 | RETROFIT SEAT BELT KIT (MACHINES PRIOR TO 1996 MODEL YEAR) | 90 - 46 |
| 5H15 | REAR LADDER LANDING LATCH ARM (640301-)..... | 80 - 26 | 6H13 | RETURN FLOOR, FEEDER HOUSE (-642300)..... | 110 - 46 |
| 3H5 | REAR LAMP ASSEMBLY - L.H. SIDE | 40 - 136 | 6H15 | RETURN FLOOR, FEEDER HOUSE (642301-)..... | 110 - 48 |
| 8I12 | REAR LEFT SIDE TAILINGS SHIELD | 125 - 68 | 4G8 | RETURN LINE TO RESEVOIR (640301-)..... | 50 - 112 |
| 3G14 | REAR LIGHT (EXPORT ONLY) | 40 - 120 | 5D18 | RETURN LINES, HYDRAULIC | 70 - 48 |
| 3D15 | REAR LIGHT HARNESS AND SHIELDS | 40 - 48 | 5D20 | RETURN LINES, UPPER, HYDRAULIC | 70 - 50 |
| 1E2 | REAR OIL SEAL | 25 - 21 | 6D6 | REVERSER FOOT CONTROL, FEEDER HOUSE..... | 90 - 38 |
| 2C15 | REAR OIL SEAL (6076) | 26 - 18 | 6F24 | REVERSER FOOT CONTROL, FEEDER HOUSE..... | 110 - 6 |
| 1E2 | REAR OIL SEAL GASKET | 25 - 21 | 6F22 | REVERSER GEAR BOX | 110 - 4 |
| 2C15 | REAR OIL SEAL GASKET (6076) | 26 - 18 | 3G12 | REVOLVING BEACON LIGHTS (EXPORT ONLY) | 40 - 118 |
| 1E2 | REAR OIL SEAL HOUSING | 25 - 21 | 5I19 | RIGHT SIDE FRONT SHIELD ASSEMBLY | 80 - 54 |
| 2C15 | REAR OIL SEAL HOUSING (6076) | 26 - 18 | 5I15 | RIGHT SIDE SHIELD ASSEMBLY | 80 - 50 |
| 4H21 | REAR STEERING LINES AND HOSES | 60 - 34 | 4C3 | RIMS, DRIVE WHEELS..... | 50 - 8 |
| 8E19 | REAR STRAW CHOPPER DRIVES | 121 - 74 | 1D23 | RINGS, PISTON (ESN -499999)..... | 25 - 17 |
| 8E21 | REAR STRAW CHOPPER DRIVES, FINE CUT | 121 - 76 | 2C12 | RINGS, PISTON (6076) (ESN 500000-)..... | 26 - 15 |
| 1C7 | REAR SUPPORT (-640300) | 20 - 14 | | | |
| 1C8 | REAR SUPPORT (640301-655524) | 20 - 15 | | | |
| 1C9 | REAR SUPPORT (655525-)..... | 20 - 16 | | | |
| 8I12 | REAR TAILINGS SHIELD, LEFT SIDE..... | 125 - 68 | | | |
| 6C21 | REAR VIEW MIRROR, LEFT-HAND..... | 90 - 28 | | | |
| 6C19 | REAR VIEW MIRROR, LEFT-HAND (-650300) | 90 - 26 | | | |
| 9G10 | REAR WHEEL DECALS | 170 - 44 | | | |
| 4115 | REAR WHEELS (4-WHEEL DRIVE/CAM LODE MOTOR)..... | 60 - 52 | | | |
| 4113 | REAR WHEELS AND WHEEL WEIGHTS | 60 - 50 | | | |
| 6E24 | RECEIVER - DRYER, AIR CONDITIONER (-650300) R-12 | 90 - 82 | | | |
| 6F1 | RECEIVER - DRYER, AIR CONDITIONER (650301-) R134A..... | 90 - 84 | | | |
| 9E19 | REEL BELTS | 170 - 4 | | | |
| 5C1 | REEL DRIVE FLOW CONTROL VALVE | 70 - 6 | | | |
| 5C15 | REEL DRIVE HYD. LINES AND HOSES, FRONT..... | 70 - 20 | | | |

ALPHABETICAL INDEX - CONTINUED

| GRID | | PAGE | GRID | | PAGE |
|------|--|----------|------|--|----------|
| 2C22 | ROCKER ARM | 26 - 26 | 1E4 | SEAL, FRONT OIL (HH003) (EARLY DESIGN) | 25 - 24 |
| 1E12 | ROCKER ARM COVER | 25 - 32 | 1E5 | SEAL, FRONT OIL (TH001, HH001, HH004) (ESN -499999) | 25 - 25 |
| 2C23 | ROCKER ARM COVER (6076) | 26 - 27 | 1E2 | SEAL, REAR OIL | 25 - 21 |
| 1E12 | ROCKER ARM COVER GASKET | 25 - 32 | 2C15 | SEAL, REAR OIL (6076) | 26 - 18 |
| 2C23 | ROCKER ARM COVER GASKET (6076) | 26 - 27 | 1F1 | SEAL, WATER PUMP (EARLY DESIGN) (ESN -499999) | 25 - 46 |
| 2C22 | ROCKER ARM SHAFT | 26 - 26 | 2D7 | SEAL, WATER PUMP (ESN 500000-) | 26 - 38 |
| 1E9 | ROCKER ARM SHAFT (EARLY DESIGN) | 25 - 29 | 8G19 | SEALS AND PAN, CHAFF SPREADER (-650300) | 125 - 26 |
| 1E9 | ROCKER ARMS (EARLY DESIGN) | 25 - 29 | 8G21 | SEALS AND PAN, CHAFF SPREADER (650301-) | 125 - 28 |
| 8H1 | ROD, CHAFF SPREADER CONTROL | 125 - 32 | 5G22 | SEALS AND RADIATOR SHELL | 80 - 8 |
| 2C22 | ROD, PUSH | 26 - 26 | 5G24 | SEALS AND RADIATOR SHELL | 80 - 10 |
| 1E9 | ROD, PUSH (EARLY DESIGN) | 25 - 29 | 6B24 | SEALS, CAB SIDE AND REAR | 90 - 6 |
| 1D23 | RODS, CONNECTING | 25 - 17 | 7D17 | SEALS, CLEANING FAN LEAF SCREEN (CORN) (660985-) | 120 - 48 |
| 2C12 | RODS, CONNECTING (6076) | 26 - 15 | 6G14 | SEALS, FEEDER HOUSE - CONTOUR MASTER (660301-) | 110 - 22 |
| 6C9 | ROOF, CAB AND SUPPORTS | 90 - 16 | 6B22 | SEALS, FOAM AND SOUND DEADENING, CAB | 90 - 4 |
| 3C3 | ROOF, CAB LIGHTS | 40 - 8 | 4D23 | SEALS, SHAFT, OUTER COVER AND BEARING CAM LOBE MOTOR | 50 - 52 |
| 9E18 | ROTARY SCREEN BELTS | 170 - 3 | 6D15 | SEAT ADJUST FORE-AND-AFT | 90 - 48 |
| 1B21 | ROTARY SCREEN DOOR (-640300) | 20 - 4 | 6D10 | SEAT AND BACKREST, OPERATOR'S | 90 - 42 |
| 1B23 | ROTARY SCREEN DOOR AND SCREEN (640301-) | 20 - 6 | 6D14 | SEAT BELT KIT, RETROFIT (MACHINES PRIOR TO 1996 MODEL YEAR) | 90 - 46 |
| 1B18 | ROTARY SCREEN DRIVE (-645300) | 20 - 1 | 6D17 | SEAT HEIGHT ADJUSTER | 90 - 50 |
| 1B19 | ROTARY SCREEN DRIVE (645301-) | 20 - 2 | 6D8 | SEAT SHROUDS AND OPTIONAL SEAT | 90 - 40 |
| 1B19 | ROTARY SCREEN DRIVE AND IDLER ARMS (645301-) | 20 - 2 | 6D19 | SEAT, AIR SUSPENSION (660301-) | 90 - 52 |
| 1B19 | ROTARY SCREEN DRIVE IDLER ARMS (645301-) | 20 - 2 | 6D21 | SEAT, AIR SUSPENSION KITS (665301-) | 90 - 54 |
| 8F3 | ROTOR AND SHEAVE, STRAW CHOPPER | 121 - 82 | 6D23 | SEAT, AIR SUSPENSION KITS (665301-) | 90 - 56 |
| 8F11 | ROTOR STRAW CHOPPER, FINE CUT (PADDLED WIDE (670820-) | 121 - 90 | 6E1 | SEAT, AIR SUSPENSION KITS (665301-) | 90 - 58 |
| 8F9 | ROTOR STRAW CHOPPER, FINE CUT (STRAIGHT WIDE (670820-) | 121 - 88 | 6E3 | SEAT, AIR SUSPENSION KITS (665301-) | 90 - 60 |
| 8F13 | ROTOR, SHEAVE AND STRAW CHOPPER | 121 - 92 | 3C17 | SEAT, AIR, WIRING HARNESS(660301-) | 40 - 24 |
| 3F7 | ROW LIGHTS (L.H. AND R.H.) | 40 - 88 | 6D12 | SEAT, OPERATOR'S SEATBELT (665301-) | 90 - 44 |
| | | | 6D13 | SEAT, SEATBELT - TRAINING (665301-) | 90 - 45 |
| | | | 6D12 | SEATBELT, OPERATOR'S SEAT (665301-) | 90 - 44 |
| | | | 6D13 | SEATBELT, TRAINING SEAT(665301-) | 90 - 45 |
| | | | 8D13 | SECONDARY COUNTERSHAFT DRIVE | 121 - 44 |
| | | | 8D13 | SECONDARY COUNTERSHAFT DRIVE PULLEY | 121 - 44 |
| | | | 2F19 | SENDER, FUEL | 30 - 4 |
| | | | 3D19 | SENSING SWITCH, STRAW WALKER PLUGGING | 40 - 52 |
| | | | 1H5 | SENSOR, ENGINE SPEED (EARLY DESIGN) | 25 - 105 |
| | | | 2F14 | SENSOR, ENGINE SPEED (ESN-XXXXXX) | 26 - 93 |
| | | | 3D23 | SENSOR, LOW SHAFT SPEED | 40 - 56 |
| | | | 3H3 | SENSOR, SPEED, FDR HSE BACKSHAFT (645316-) | 40 - 134 |
| | | | 3G20 | SENSOR, STUBBLE HEIGHT, (EXPORT ONLY) | 40 - 126 |
| | | | 2E3 | SENSOR, TEMPERATURE (ROBERT BOSCH) (6076HH030) | 26 - 60 |
| | | | 2E5 | SENSOR, TEMPERATURE (ROBERT BOSCH) (6076HH034) | 26 - 61A |
| | | | 2E9 | SENSOR, TEMPERATURE (6076HH031) (ROBERT BOSCH) (LATE DESIGN F.I.P.) | 26 - 64 |
| | | | 2E11 | SENSOR, TEMPERATURE (6076HH035) (ROBERT BOSCH) (LATE DESIGN F.I.P.) | 26 - 65A |
| | | | 3D21 | SENSOR, UNLOADING AUGER (660301-) | 40 - 54 |
| | | | 8C3 | SEPARATOR AND PUMP DRIVE, GEARCASE | 121 - 10 |
| | | | 8C5 | SEPARATOR AND PUMP DRIVE, GEARCASE | 121 - 12 |
| | | | 5G16 | SEPARATOR CROSS BRACES | 80 - 2 |
| | | | 7F11 | SEPARATOR CURTAIN (RASP BAR CYLINDER) | 120 - 88 |
| | | | 7F13 | SEPARATOR CURTAIN (SPIKE-TOOTH CYLINDER) | 120 - 90 |
| | | | 8H13 | SEPARATOR CURTAIN (-642457) | 125 - 44 |

S

| | | |
|------|---|----------|
| 9E21 | SAFETY DECALS AND LOCATIONS | 170 - 6 |
| 9E23 | SAFETY DECALS AND LOCATIONS | 170 - 8 |
| 9F1 | SAFETY DECALS AND LOCATIONS | 170 - 10 |
| 9F3 | SAFETY DECALS AND LOCATIONS | 170 - 12 |
| 9F5 | SAFETY DECALS AND LOCATIONS | 170 - 14 |
| 9F7 | SAFETY DECALS AND LOCATIONS - FRENCH | 170 - 16 |
| 9F11 | SAFETY DECALS AND LOCATIONS - FRENCH | 170 - 20 |
| 9F15 | SAFETY DECALS AND LOCATIONS - FRENCH | 170 - 24 |
| 9F19 | SAFETY DECALS AND LOCATIONS - FRENCH | 170 - 28 |
| 9F23 | SAFETY DECALS AND LOCATIONS - FRENCH | 170 - 32 |
| 6E5 | SAFETY START SWITCH | 90 - 62 |
| 6G8 | SAFETY STOP, CONTOUR MASTER FEEDER HOUSE (660301-661261) | 110 - 16 |
| 6G10 | SAFETY STOP, CONTOUR MASTER FEEDER HOUSE (661262-) | 110 - 18 |
| 6G6 | SAFETY STOP, DRIVE SHIELDS, FEEDER HOUSE | 110 - 14 |
| 9E4 | SAMPLING TROUGH, GRAIN TANK | 130 - 62 |
| 1B23 | SCREEN DOOR, ROTARY (640301-) | 20 - 6 |
| 1B18 | SCREEN DRIVE, ROTARY (-645300) | 20 - 1 |
| 1B19 | SCREEN DRIVE, ROTARY (645301-) | 20 - 2 |
| 1B21 | SCREEN, ROTARY, DOOR (-640300) | 20 - 4 |
| 7D17 | SCREENS, CLEANING FAN LEAF (CORN) (660985-) | 120 - 48 |
| 4G19 | SEAL AND BRAKE PEDAL, PARKING (650301-) | 60 - 8 |
| 4D11 | SEAL KIT, HYDROSTATIC DRIVE MOTOR | 50 - 40 |
| 4D21 | SEAL KIT, HYDROSTATIC DRIVE MOTOR | 50 - 50 |
| 5E5 | SEAL KIT, SOLENOID CONTROL VALVE, RELIEF VALVE MODULE | 70 - 60 |
| 6C5 | SEAL, CAB DOOR | 90 - 12 |
| 2C17 | SEAL, FRONT OIL (ESN 500000-) | 26 - 20 |

ALPHABETICAL INDEX - CONTINUED

| GRID | | PAGE | GRID | | PAGE |
|------|--|----------|------|---|----------|
| 8B22 | SEPARATOR DRIVE GEAR, UNLOADING DRIVE AND STRAW CHOPPER, ENGINE GEARCASE..... | 121 - 4 | 5I19 | SHIELD ASSEMBLY, FRONT, RIGHT SIDE | 80 - 54 |
| 8B20 | SEPARATOR DRIVE GEAR, UNLOADING DRIVE AND STRAW CHOPPER- ENGINE GEARCASE | 121 - 2 | 5I17 | SHIELD ASSEMBLY, LEFT SIDE | 80 - 52 |
| 8B24 | SEPARATOR DRIVE WET-CLUTCH AND PUMP DRIVE SHAFT, GEARCASE..... | 121 - 6 | 5I15 | SHIELD ASSEMBLY, RIGHT SIDE..... | 80 - 50 |
| 8C1 | SEPARATOR DRIVE WET-CLUTCH AND PUMP DRIVE SHAFT, GEARCASE..... | 121 - 8 | 5H23 | SHIELD, DRIVE, R.H. REAR..... | 80 - 34 |
| 8E1 | SEPARATOR FAN DRIVE..... | 121 - 56 | 1E10 | SHIELD, EXHAUST VALVE (ESN -499999) | 25 - 30 |
| 3E15 | SEPARATOR FAN DRIVE ADJUSTING MOTOR | 40 - 72 | 2C20 | SHIELD, EXHAUST VALVE(ESN 500000-) | 26 - 24 |
| 5G16 | SEPARATOR FRAME | 80 - 2 | 5H21 | SHIELD, FAN DRIVE, L.H. | 80 - 32 |
| 7B20 | SEPARATOR/FEEDER HOUSE SEAL, STONE TRAP AND DOOR..... | 120 - 2 | 1F16 | SHIELD, HEAT..... | 25 - 62 |
| 2F19 | SEPARATOR, WATER | 30 - 4 | 6I1 | SHIELD, INTAKE | 110 - 56 |
| 5I3 | SERVICE ACCESS SHIELD, L.H..... | 80 - 38 | 5H19 | SHIELD, MUD, AUGER DRIVE, R.H. | 80 - 30 |
| 5I1 | SERVICE ACCESS SHIELD, R.H..... | 80 - 36 | 5H21 | SHIELD, MUD, L.H. | 80 - 32 |
| 3F19 | SERVICE KIT, ELECTRICAL CONNECTORS | 40 - 100 | 5I11 | SHIELD, MUD, R.H..... | 80 - 46 |
| 3F21 | SERVICE KIT, ELECTRICAL CONNECTORS | 40 - 102 | 8I12 | SHIELD, REAR TAILINGS LEFT SIDE..... | 125 - 68 |
| 3G1 | SERVICE OUTLET, ELECTRICAL | 40 - 107 | 8F1 | SHIELD, STRAW CHOPPER DRIVE (640301-) | 121 - 80 |
| 4D5 | SERVO, HYDROSTATIC PUMP | 50 - 34 | 8I10 | SHIELD, TAILINGS UPPER REAR | 125 - 66 |
| 4D19 | SERVO, HYDROSTATIC PUMP | 50 - 48 | 4I1 | SHIELD, TRASH, REAR AXLE | 60 - 38 |
| 6F5 | SET, COMPRESSOR HARDWARE (-650300) R-12 | 90 - 88 | 8I6 | SHIELD, UPPER TAILINGS AUGER DRIVE | 125 - 62 |
| 7D9 | SHAFT, BEATER AND DRIVE BELT | 120 - 40 | 8I8 | SHIELD, UPPER TAILINGS AUGER DRIVE | 125 - 64 |
| 4C23 | SHAFT, DIFFERENTIAL | 50 - 28 | 8G17 | SHIELDS AND HANDLES, CHAFF SPREADER (DUAL MOTOR) (650301-) | 125 - 24 |
| 4C8 | SHAFT, DRIVE..... | 50 - 13 | 3D15 | SHIELDS FOR REAR LIGHT HARNESS | 40 - 48 |
| 4C9 | SHAFT, DRIVE..... | 50 - 14 | 7D23 | SHIELDS, CLEANING FAN INTAKE (-645306) | 120 - 54 |
| 6H19 | SHAFT, DRIVE, FRONT, SHEAVE AND MOUNTINGS (FIXED SPEED WITH REVERSER) | 110 - 52 | 7E1 | SHIELDS, CLEANING FAN INTAKE (645307-) | 120 - 56 |
| 6H17 | SHAFT, DRIVE, UPPER, SHEAVE AND MOUNTING (FIXED SPEED WITH REVERSER)..... | 110 - 50 | 6G8 | SHIELDS, CONTOUR MASTER FEEDER HOUSE (660301-661261) | 110 - 16 |
| 4D1 | SHAFT, FINAL DRIVE | 50 - 30 | 6G10 | SHIELDS, CONTOURMASTER FEEDER HOUSE (661262-) | 110 - 18 |
| 4E16 | SHAFT, FINAL DRIVE PINION | 50 - 70 | 4G2 | SHIELDS, FINAL DRIVE SHAFT - PLANETARY FINAL DRIVE..... | 50 - 106 |
| 4E18 | SHAFT, FINAL DRIVE PINION | 50 - 72 | 4G1 | SHIELDS, FINAL DRIVE SHAFT - SINGLE REDUCTION | 50 - 105 |
| 6G1 | SHAFT, FRONT WITH REVERSER (VARIABLE) | 110 - 8 | 4G3 | SHIELDS, MUD | 50 - 107 |
| 4D11 | SHAFT, HYDROSTATIC DRIVE MOTOR..... | 50 - 40 | 8E23 | SHIELDS, STRAW CHOPPER DRIVE (-640300) | 121 - 78 |
| 4D21 | SHAFT, HYDROSTATIC DRIVE MOTOR..... | 50 - 50 | 9C16 | SHIELDS, UPPER CLEAN GRAIN ELEVATOR (-640603) | 130 - 24 |
| 4D3 | SHAFT, HYDROSTATIC PUMP | 50 - 32 | 9C18 | SHIELDS, UPPER CLEAN GRAIN ELEVATOR (640604-) | 130 - 26 |
| 4D17 | SHAFT, HYDROSTATIC PUMP | 50 - 46 | 4C18 | SHIFTER CAM, TRANSMISSION AND DIFFERENTIAL | 50 - 23 |
| 8H17 | SHAFT, LOWER TAILINGS AUGER..... | 125 - 48 | 4C10 | SHIFTER FORKS, TRANSMISSION AND DIFFERENTIAL HOUSING | 50 - 15 |
| 4D23 | SHAFT, OUTER COVER, BEARING AND SEALS CAM LOBE MOTOR | 50 - 52 | 1D23 | SHIM, LINER | 25 - 17 |
| 2C22 | SHAFT, ROCKER ARM..... | 26 - 26 | 2C12 | SHIM, LINER (6076) | 26 - 15 |
| 1E9 | SHAFT, ROCKER ARM (EARLY DESIGN) | 25 - 29 | 3F6 | SHOE ADJUSTING LIGHT SWITCH | 40 - 87 |
| 4C21 | SHAFT, TRANSMISSION PINION..... | 50 - 26 | 7D12 | SHOE GRAIN SUPPLY AUGER CLEANOUT DOOR, HANDLE AND LATCHES | 120 - 43 |
| 9C3 | SHAFT, UPPER CLEAN GRAIN ELEVATOR..... | 130 - 10 | 7D13 | SHOE GRAIN SUPPLY AUGERS AND HOUSING | 120 - 44 |
| 7E23 | SHAKER PAN | 120 - 76 | 7D15 | SHOE GRAIN SUPPLY AUGERS AND HOUSING | 120 - 46 |
| 7C7 | SHEAR BAR, CYLINDER | 120 - 14 | 4H3 | SHOES, BRAKE..... | 60 - 16 |
| 8F3 | SHEAVE AND ROTOR, STRAW CHOPPER | 121 - 82 | 2C7 | SHORT BLOCK (WITH HEAD BOLTS) | 26 - 10 |
| 8E9 | SHEAVE LINKAGE, FAN DRIVE SPEED CONTROL | 121 - 64 | 2C5 | SHORT BLOCK (ESN 500000-) (WITHOUT HEAD BOLTS) | 26 - 8 |
| 3E20 | SHEAVE, ALTERNATOR..... | 40 - 77 | 1D14 | SHORT BLOCK (HH001-OPT. HP) (-499999) (WITHOUT HEAD BOLTS) | 25 - 8 |
| 3E19 | SHEAVE, ALTERNATOR (-636603)..... | 40 - 76 | 1D14 | SHORT BLOCK (TH001-STD. HP) (EARLY DESIGN -499999) W/O HEAD BOLTS | 25 - 8 |
| 9C12 | SHEAVE, CLEAN GRAIN ELEVATOR GEARCASE | 130 - 20 | 1D18 | SHORT BLOCK (WITH HEAD BOLTS) (TH001,HH001,HH003)(ESN -499999) | 25 - 12 |
| 8E13 | SHEAVE, MOUNTING, PUMP, REEL / BELT PICKUP DRIVE | 121 - 68 | 1G18 | SHORT BLOCK GASKET KIT (ESN -499999)..... | 25 - 92 |
| 6F20 | SHEAVE, MOUNTINGS, FRONT VARIABLE DRIVE | 110 - 2 | 2F7 | SHORT BLOCK GASKET KIT (ESN 500000-)..... | 26 - 86 |
| 8F13 | SHEAVE, ROTOR AND STRAW CHOPPER | 121 - 92 | | | |
| 9C3 | SHEAVE, UPPER CLEAN GRAIN ELEVATOR | 130 - 10 | | | |
| 8D23 | SHEAVES, BEATER DRIVE AND TIGHTENER..... | 121 - 54 | | | |
| 6H11 | SHEAVES, FEEDER HOUSE, UPPER COUNTERSHAFT, VARIABLE DRIVE | 110 - 44 | | | |
| 6G14 | SHELL, FEEDER HOUSE-CONTOUR MASTER (660301-) | 110 - 22 | | | |
| 5G22 | SHELL, RADIATOR AND SEALS | 80 - 8 | | | |
| 5G24 | SHELL, RADIATOR AND SEALS | 80 - 10 | | | |
| 5I13 | SHIELD ASSEMBLY, FRONT, LEFT SIDE | 80 - 48 | | | |

ALPHABETICAL INDEX - CONTINUED

| <i>GRID</i> | | <i>PAGE</i> | <i>GRID</i> | | <i>PAGE</i> |
|-------------|--|-------------|-------------|---|-------------|
| 1D16 | SHORT BLOCK(6076HH003)(STD. HP)(LATE DESIGN -499999)(WITHOUT HEAD BOLTS) | 25 - 10 | 5D11 | SOLENOID, VALVE BLOCK, DIAL-A-MATIC, HEADER HEIGHT CONTROL | 70 - 41 |
| 2E3 | SHUT-OFF HOUSING SOLENOID (6076HH030) (ROBERT BOSCH)..... | 26 - 60 | 6B22 | SOUND DEADENING, SEALS AND FOAM, CAB | 90 - 4 |
| 2E5 | SHUT-OFF HOUSING SOLENOID (6076HH034) (ROBERT BOSCH)..... | 26 - 61A | 4C8 | SPACER, AXLE | 50 - 13 |
| 2E9 | SHUT-OFF HOUSING SOLENOID (6076HH031) (RB) (LATE DESIGN F.I.P.) | 26 - 64 | 4C9 | SPACER, AXLE, PLANETARY FINAL DRIVE | 50 - 14 |
| 2E11 | SHUT-OFF HOUSING SOLENOID (6076HH035) (RB) (LATE DESIGN F.I.P.) | 26 - 65A | 3D5 | SPEAKERS, ANTENNA AND RADIO | 40 - 38 |
| 6B24 | SIDE AND REAR CAB SEALS | 90 - 6 | 8E3 | SPEED CONTROL LINKAGE, FAN DRIVE (-640300) | 121 - 58 |
| 3F7 | SIDE LIGHTS | 40 - 88 | 8E5 | SPEED CONTROL LINKAGE, FAN DRIVE (640301-655300) | 121 - 60 |
| 8D19 | SIEVE AND CHAFFER DRIVE, CONVEYOR AUGERS AND STRAW WALKER..... | 121 - 50 | 8E7 | SPEED CONTROL LINKAGE, FAN DRIVE (655301-) | 121 - 62 |
| 7E19 | SIEVE ELEMENT | 120 - 72 | 8E9 | SPEED CONTROL, FAN DRIVE SHEAVE LINKAGE | 121 - 64 |
| 7E21 | SIEVE FRAME | 120 - 74 | 3G22 | SPEED CONTROL, REEL AND RELAYS (EXPORT ONLY) | 40 - 128 |
| 8D21 | SIEVE, CHAFFER DRIVE, STRAW WALKER AND CONVEYOR AUGERS | 121 - 52 | 3D9 | SPEED SENSOR, TRANSMISSION | 40 - 42 |
| 5D12 | SINGLE ACCUMULATOR, ONE HALF GALLON..... | 70 - 42 | 3G6 | SPEED, REEL, MOTOR AND BRACKET..... | 40 - 112 |
| 5E22 | SIX STACK SOLENOID CONTROL VALVE MODULE ASSEMBLY & MOUNTINGS (660301-) | 70 - 80 | 7D1 | SPIKE TOOTH CONCAVE | 120 - 32 |
| 4H5 | SLAVE CYLINDER, BRAKE | 60 - 18 | 7C21 | SPIKE TOOTH THRESHING CYLINDER | 120 - 28 |
| 6H9 | SLIP CLUTCH,FEEDER HOUSE | 110 - 42 | 7C19 | SPIKE-TOOTH CONCAVE | 120 - 26 |
| 8C23 | SLOW SPEED CYLINDER DRIVE | 121 - 30 | 7C23 | SPIKE-TOOTH CONCAVE | 120 - 30 |
| 8G7 | SMV (SLOW MOVING VEHICLE)..... | 125 - 14 | 7F13 | SPIKE-TOOTH CYLINDER, SEPARATOR CURTAIN ... | 120 - 90 |
| 5E15 | SOLENOID CONTROL VALVE - CONTOUR MASTER (660301-)..... | 70 - 72 | 7D3 | SPIKE-TOOTH FINGER GRATE..... | 120 - 34 |
| 5E8 | SOLENOID CONTROL VALVE BI-DIRECTIONAL MODULE, REEL LIFT AND CYLINDER SPEED | 70 - 64 | 4I9 | SPINDLE HOUSING, REAR AXLE | 60 - 46 |
| 5E21 | SOLENOID CONTROL VALVE BRACKETS..... | 70 - 78 | 4I7 | SPINDLES, REAR AXLE | 60 - 44 |
| 5E10 | SOLENOID CONTROL VALVE DOUBLE PILOTED MODULE, AUGER SWING (-650300) | 70 - 66 | 8H13 | SPREADER CURTAIN (-642457) | 125 - 44 |
| 5E13 | SOLENOID CONTROL VALVE DOUBLE PILOTED MODULE, REEL FORE/AFT (-650300) | 70 - 70 | 8H15 | SPREADER CURTAIN (642458-) | 125 - 46 |
| 5E12 | SOLENOID CONTROL VALVE FOR AUGER SWING.... | 70 - 68 | 5C5 | SPREADER MOTOR, CHAFF (EATON) (656147-) | 70 - 10 |
| 5E17 | SOLENOID CONTROL VALVE MODULE ASSEMBLY AND MOUNTINGS | 70 - 74 | 5C3 | SPREADER MOTOR, CHAFF (TRW ROSS) (-656146) | 70 - 8 |
| 5E19 | SOLENOID CONTROL VALVE MODULE ASSEMBLY AND MOUNTINGS | 70 - 76 | 8H7 | SPREADER, CHAFF, MOTOR, LINES AND HOSES (-650300) | 125 - 38 |
| 5E22 | SOLENOID CONTROL VALVE MODULE, 6 STACK ASSEMBLY & MOUNTINGS (660301-) | 70 - 80 | 8H9 | SPREADER, CHAFF, MOTOR, LINES AND HOSES (650301-) | 125 - 40 |
| 5E6 | SOLENOID CONTROL VALVE UNBALANCED LOAD MODULE (HEADER LIFT MODULE) | 70 - 62 | 8G9 | SPREADER, STRAW..... | 125 - 16 |
| 5E3 | SOLENOID CONTROL VALVE UNLOAD MODULE, RELIEF VALVE | 70 - 58 | 9E19 | SPREADER, STRAW, BELTS..... | 170 - 4 |
| 5G13 | SOLENOID CONTROL VALVE, ENGINE GEARCASE (PRESSURE REGULATOR) | 70 - 120 | 8H23 | SPROCKET, TAILINGS ELEVATOR CONVEYOR..... | 125 - 54 |
| 1H4 | SOLENOID SWITCH, STARTER (ND) (NO. 028000-3292) (EARLY DESIGN) | 25 - 104 | 9C3 | SPROCKET, UPPER CLEAN GRAIN ELEVATOR..... | 130 - 10 |
| 2F13 | SOLENOID SWITCH, STARTER (6076)..... | 26 - 92 | 1H3 | STARTER ARMATURE (ND) (NO. 028000-3292) (6076)(EARLY DESIGN)..... | 25 - 103 |
| 4E14 | SOLENOID, CONTROL VALVE (FOUR-WHEEL DR.).... | 50 - 68 | 1H2 | STARTER COIL (ND) (NO. 028000-3292) (6076) (EARLY DESIGN) | 25 - 102 |
| 2F23 | SOLENOID, ETHER START (-657740) | 30 - 8 | 1G25 | STARTER COMMUTATOR END FRAME (ND) (NO. 028000-3292) (6076)(EARLY DESIGN)..... | 25 - 100 |
| 2G1 | SOLENOID, ETHER START (657740-) | 30 - 10 | 1H3 | STARTER DRIVE HOUSING (ND) (NO. 028000-3292) (6076)(EARLY DESIGN)..... | 25 - 103 |
| 9E12 | SOLENOID, MAIN VALVE BLOCK DIAL-A-MATIC HEADER HEIGHT CONTROL | 160 - 3 | 1E3 | STARTER GEAR | 25 - 22 |
| 2E3 | SOLENOID, SHUT-OFF HOUSING (6076HH030) (ROBERT BOSCH)..... | 26 - 60 | 2C16 | STARTER GEAR | 26 - 19 |
| 2E5 | SOLENOID, SHUT-OFF HOUSING (6076HH034) (ROBERT BOSCH)..... | 26 - 61A | 1H2 | STARTER MAIN FRAME (ND) (NO. 028000-3292) (6076)(EARLY DESIGN)..... | 25 - 102 |
| 2E9 | SOLENOID, SHUT-OFF HOUSING (6076HH031) (RB) (LATE DESIGN F.I.P.) | 26 - 64 | 2F11 | STARTER SOLENOID (12V F4) | 26 - 90 |
| 2E11 | SOLENOID, SHUT-OFF HOUSING (6076HH035) (RB) (LATE DESIGN F.I.P.) | 26 - 65A | 1G23 | STARTER SOLENOID (12V F4) (ESN 136851-499999) | 25 - 98 |
| 2F11 | SOLENOID, STARTER (12V F4) | 26 - 90 | 2F10 | STARTER SOLENOID COVER (DENSO) | 26 - 89 |
| 1G23 | SOLENOID, STARTER (12V F4) (ESN 136851-499999) | 25 - 98 | 1H1 | STARTER SOLENOID COVER KIT (EARLY DESIGN) | 25 - 101 |
| | | | 1H4 | STARTER SOLENOID SWITCH (ND) (NO. 028000-3292) (EARLY DESIGN) | 25 - 104 |
| | | | 2F13 | STARTER SOLENOID SWITCH (6076) | 26 - 92 |
| | | | 2F23 | STARTING AID, COLD WEATHER (-657740)..... | 30 - 8 |
| | | | 2G1 | STARTING AID, COLD WEATHER (657740-) | 30 - 10 |
| | | | 2D20 | STARTING FITTINGS, ETHER (6076) | 26 - 53 |
| | | | 2F10 | STARTING MOTOR (DENSO) (12V F4)..... | 26 - 89 |

ALPHABETICAL INDEX - CONTINUED

| GRID | | PAGE | GRID | | PAGE |
|------|---|----------|------|--|----------|
| 1G21 | STARTING MOTOR (ND) (NO. 028000-3292) (ESN -136850)..... | 25 - 95 | 8F13 | STRAW CHOPPER, ROTOR AND SHEAVE | 121 - 92 |
| 1G22 | STARTING MOTOR (ND) (12V F4) (ESN 136851-499999)..... | 25 - 96 | 8F5 | STRAW CHOPPER, TRI ROTOR (645301-655300) | 121 - 84 |
| 4H11 | STARTING SWITCH | 60 - 24 | 8F7 | STRAW CHOPPER, TRI ROTOR (655301-)..... | 121 - 86 |
| 6E14 | STARTING SWITCH | 90 - 72 | 8B20 | STRAW CHOPPER, UNLOADING DRIVE AND SEPARATOR DRIVE GEAR- ENGINE GEARCASE .. | 121 - 2 |
| 4E10 | STEERING ARM, CAM LOBE MOTOR (STEERABLE MOTOR)..... | 50 - 64 | 8B22 | STRAW CHOPPER, UNLOADING DRIVE AND SEPARATOR DRIVE GEAR, ENGINE GEARCASE .. | 121 - 4 |
| 4H13 | STEERING COLUMN (LOWER) | 60 - 26 | 8G9 | STRAW SPREADER | 125 - 16 |
| 6E16 | STEERING COLUMN (LOWER) | 90 - 74 | 7F9 | STRAW SPREADER DRIVE, SHIELD AND STRAW WALKER CRANKS | 120 - 86 |
| 4H11 | STEERING COLUMN (UPPER) | 60 - 24 | 8G7 | STRAW SPREADER MOUNTING AND GUARD | 125 - 14 |
| 6E14 | STEERING COLUMN (UPPER) | 90 - 72 | 3D19 | STRAW WALKER (PLUGGING) SENSING SWITCH | 40 - 52 |
| 3C11 | STEERING COLUMN WIRING HARNESS (-645904)..... | 40 - 18 | 7F5 | STRAW WALKER BEARING KIT (650301-665300) | 120 - 82 |
| 3C13 | STEERING COLUMN WIRING HARNESS (645905-)..... | 40 - 20 | 7F7 | STRAW WALKER BEARING KIT (665301-)..... | 120 - 84 |
| 4H23 | STEERING CYLINDER (4-WHEEL DRIVE) | 60 - 36 | 7F3 | STRAW WALKER BEARINGS (-650300) | 120 - 80 |
| 4H24 | STEERING CYLINDER KIT..... | 60 - 37 | 7F9 | STRAW WALKER CRANKS,STRAW SPREADER DRIVE AND SHIELD | 120 - 86 |
| 4H15 | STEERING HOSES AND LINES, FRONT | 60 - 28 | 8D15 | STRAW WALKER DRIVE GEARCASE..... | 121 - 46 |
| 4H17 | STEERING HOSES AND LINES, L.H. SIDE | 60 - 30 | 8D17 | STRAW WALKER DRIVE GEARCASE..... | 121 - 48 |
| 4H9 | STEERING HOSES, UPPER..... | 60 - 22 | 8D19 | STRAW WALKER, CONVEYOR AUGERS, SIEVE AND CHAFFER DRIVE | 121 - 50 |
| 4H21 | STEERING LINES AND HOSES, REAR | 60 - 34 | 8D21 | STRAW WALKER, CONVEYOR AUGERS, SIEVE AND CHAFFER DRIVE | 121 - 52 |
| 4H19 | STEERING LINES, R.H. SIDE | 60 - 32 | 7F1 | STRAW WALKERS | 120 - 78 |
| 4H7 | STEERING PUMP | 60 - 20 | 9E3 | STRAWCHOPPER TOP BELT GUIDE (TRAP) | 130 - 60 |
| 4H13 | STEERING PUMP - STEERING SHAFT | 60 - 26 | 7B22 | STRIPPER, CYLINDER DOOR, LESS BAFFLE..... | 120 - 4 |
| 6E16 | STEERING PUMP - STEERING SHAFT | 90 - 74 | 3G20 | STUBBLE HEIGHT SENSOR (EXPORT ONLY) | 40 - 126 |
| 4I12 | STEERING TIE RODS, ADJUSTABLE REAR AXLE | 60 - 49 | 3F25 | SUPPLEMENTARY TERMINALS AND CONNECTORS | 40 - 106 |
| 4I10 | STEERING TIE RODS, FIXED REAR AXLE | 60 - 47 | 7D12 | SUPPLY AUGER CLEANOUT DOOR, HANDLE AND LATCHES, SHOE GRAIN | 120 - 43 |
| 4I11 | STEERING TIE RODS, FIXED REAR AXLE, 4-WHEEL DRIVE | 60 - 48 | 9D9 | SUPPORT AND BRACES, AUGER | 130 - 42 |
| 4H13 | STEERING WHEEL ADJUSTER PEDAL | 60 - 26 | 4H6 | SUPPORT BRACKET, BRAKE CABLE (645307-)..... | 60 - 19 |
| 6E16 | STEERING WHEEL ADJUSTER PEDAL | 90 - 74 | 8H24 | SUPPORT, LOWER TROUGH | 125 - 55 |
| 7B20 | STONE TRAP, DOOR AND FEEDER HOUSE/ SEPARATOR SEAL..... | 120 - 2 | 1C7 | SUPPORT, REAR (-640300)..... | 20 - 14 |
| 1D9 | STORAGE KIT, OFF-SEASON | 25 - 2 | 1C8 | SUPPORT, REAR (640301-655524)..... | 20 - 15 |
| 2B24 | STORAGE KIT, OFF-SEASON | 26 - 3 | 1C9 | SUPPORT, REAR (655525-)..... | 20 - 16 |
| 2F15 | STRAP, ALTERNATOR ADJUSTING | 26 - 94 | 4I3 | SUPPORT, REAR AXLE | 60 - 40 |
| 1H6 | STRAP, ALTERNATOR ADJUSTING (6076) (EARLY DESIGN) | 25 - 106 | 6C9 | SUPPORTS AND CAB ROOF..... | 90 - 16 |
| 2F15 | STRAP, ALTERNATOR SUPPORT..... | 26 - 94 | 8C19 | SUPPORTS AND VARIABLE SHEAVE, PRIMARY COUNTERSHAFT | 121 - 26 |
| 1H6 | STRAP, ALTERNATOR SUPPORT (6076) (EARLY DESIGN) | 25 - 106 | 2F17 | SUPPORTS, FUEL TANK | 30 - 2 |
| 1E13 | STRAPS, ENGINE LIFT..... | 25 - 33 | 6H11 | SUPPORTS, UPPER COUNTERSHAFT, FEEDER HOUSE, VARIABLE DRIVE | 110 - 44 |
| 2C24 | STRAPS, ENGINE LIFT (6076)..... | 26 - 28 | 4D5 | SWASHPLATE, HYDROSTATIC PUMP | 50 - 34 |
| 9E19 | STRAW CHOPPER BELTS..... | 170 - 4 | 4D19 | SWASHPLATE, HYDROSTATIC PUMP | 50 - 48 |
| 8F20 | STRAW CHOPPER DECK, SUPPORTS AND FINS | 125 - 2 | 5F15 | SWING, UNLOADING AUGER, HYDRAULIC CYLINDER KIT | 70 - 98 |
| 8G5 | STRAW CHOPPER DOOR | 125 - 12 | 2F11 | SWITCH (DENSO) (12V F4)..... | 26 - 90 |
| 8E23 | STRAW CHOPPER DRIVE SHIELDS (-640300)..... | 121 - 78 | 1G23 | SWITCH (DENSO) (12V F4) (ESN 136851-499999)..... | 25 - 98 |
| 8F1 | STRAW CHOPPER DRIVE SHIELDS (640301-)..... | 121 - 80 | 3C23 | SWITCH, AIR CONDITIONER..... | 40 - 30 |
| 8E15 | STRAW CHOPPER DRIVES (FRONT) | 121 - 70 | 3B24 | SWITCH, AUX FIELD LIGHTS, OPTIONAL | 40 - 4 |
| 8E19 | STRAW CHOPPER DRIVES (REAR)..... | 121 - 74 | 3C23 | SWITCH, HEATER..... | 40 - 30 |
| 8F22 | STRAW CHOPPER HOUSING AND KNIFEBANK (-655300)..... | 125 - 4 | 3E12 | SWITCH, HORIZONTAL UNLOADING AUGER | 40 - 69 |
| 8F24 | STRAW CHOPPER HOUSING AND KNIFEBANK (-655300)..... | 125 - 6 | 9D12 | SWITCH, HORIZONTAL UNLOADING AUGER | 130 - 45 |
| 8F15 | STRAW CHOPPER HOUSING AND KNIFEBANK (655301-)..... | 121 - 94 | 3E9 | SWITCH, INLET AIR TEMPERATURE | 40 - 66 |
| 8G1 | STRAW CHOPPER HOUSING AND KNIFEBANK (655301-)..... | 125 - 8 | 3F6 | SWITCH, LIGHT, SHOE ADJUSTING | 40 - 87 |
| 8F3 | STRAW CHOPPER ROTOR AND SHEAVE | 121 - 82 | 3D11 | SWITCH, PARK BRAKE | 40 - 44 |
| 8F11 | STRAW CHOPPER ROTOR, FINE CUT (PADDLED WIDE (670820-)..... | 121 - 90 | 3D19 | SWITCH, SENSING, STRAW WALKER PLUGGING..... | 40 - 52 |
| 8F9 | STRAW CHOPPER ROTOR, FINE CUT (STRAIGHT WIDE (670820-)..... | 121 - 88 | 1H4 | SWITCH, STARTER SOLENOID (ND) (NO. 028000-3292) (EARLY DESIGN)..... | 25 - 104 |
| 3D15 | STRAW CHOPPER SENSOR BRACKET..... | 40 - 48 | 2F13 | SWITCH, STARTER SOLENOID (6076)..... | 26 - 92 |
| | | | 3D24 | SWITCH, WARNING, PLUGGED AIR FILTER..... | 40 - 57 |
| | | | 3C9 | SWITCHES, ARMREST ROCKER | 40 - 14 |

ALPHABETICAL INDEX - CONTINUED

| GRID | | PAGE | GRID | | PAGE |
|----------|--|----------|------|--|----------|
| 9D9 | SWIVEL SUPPORT AND BRACES, AUGER | 130 - 42 | 8H17 | TIGHTENER, LOWER TAILINGS AUGER | 125 - 48 |
| 9D9 | SWIVEL, AUGER SUPPORT | 130 - 42 | 8H25 | TIGHTENER, LOWER TAILINGS AUGER CHAIN | 125 - 56 |
| 9D7 | SWIVEL, HORIZONTAL UNLOADING AUGER | 130 - 40 | 8I2 | TIGHTENER, LOWER TAILINGS AUGER DRIVE | 125 - 58 |
| T | | | | | |
| 3C1 | TACHOMETER | 40 - 6 | 6G16 | TILT BEAM, FEEDER HOUSE, CONTOUR MASTER (660301-) | 110 - 24 |
| 6D2 | TACHOMETER | 90 - 34 | 5F17 | TILT CYLINDER - CONTOUR MASTER (660301-) | 70 - 100 |
| 3C4 | TAIL LIGHTS | 40 - 9 | 5F19 | TILT CYLINDER HOSES AND FITTINGS - CONTOUR MASTER (660301-) | 70 - 102 |
| 8H23 | TAILING ELEVATOR CONVEYOR CHAIN | 125 - 54 | 2C17 | TIMING GEAR COVER (ESN 500000-) | 26 - 20 |
| 8H23 | TAILING ELEVATOR CONVEYOR SPROCKETS | 125 - 54 | 1E4 | TIMING GEAR COVER (HH003) (EARLY DESIGN) | 25 - 24 |
| 8H24 | TAILINGS DRIVE BRACKET | 125 - 55 | 1E5 | TIMING GEAR COVER (TH001, HH001, HH004) (ESN -499999) | 25 - 25 |
| 8H21 | TAILINGS ELEVATOR HOUSING | 125 - 52 | 2C17 | TIMING GEAR COVER GASKET (ESN 500000-) | 26 - 20 |
| 8I12 | TAILINGS SHIELD, REAR LEFT SIDE | 125 - 68 | 1E5 | TIMING GEAR COVER GASKET (TH0010,HH001,HH004)(ESN -499999) | 25 - 25 |
| 8I10 | TAILINGS SHIELD, UPPER REAR | 125 - 66 | 1E4 | TIMING GEAR COVER GASKET (HH003) (EARLY DESIGN) | 25 - 24 |
| 2F21 | TANK FUEL LINES AND FITTINGS | 30 - 6 | 6C17 | TOOL BOX (660301-) | 90 - 24 |
| 2G11 | TANK, COOLANT RECOVERY | 30 - 20 | 9G16 | TOP DECALS | 170 - 50 |
| 2F17 | TANK, FUEL | 30 - 2 | 9C20 | TOP, TANK, GRAIN | 130 - 28 |
| 9E4 | TANK, GRAIN, SAMPLING TROUGH | 130 - 62 | 1D8 | TORQ-GARD PLUS-50, ENGINE OIL | 25 - 1 |
| 3C1 | TEMPERATURE GAUGE | 40 - 6 | 2B23 | TORQ-GARD PLUS-50, ENGINE OIL | 26 - 1 |
| 6D2 | TEMPERATURE GAUGE | 90 - 34 | 6D13 | TRAINING SEAT SEATBELT (665301-) | 90 - 45 |
| 3E5 | TEMPERATURE SENDING UNIT, ENGINE | 40 - 62 | 1G5 | TRANSFER PUMP (ENGINE) (HH003) (LATE DESIGN STD. HP ENGINE) (149284-499999) | 25 - 76 |
| 3E7 | TEMPERATURE SENDING UNIT, ENGINE | 40 - 64 | 1G3 | TRANSFER PUMP (ENGINE) (TH001) (EARLY DESIGN STD. HP ENGINE) | 25 - 74 |
| 2E3 | TEMPERATURE SENSOR (ROBERT BOSCH) (6076HH030) | 26 - 60 | 1G1 | TRANSFER PUMP (HH001) (EARLY DESIGN ENGINE) | 25 - 72 |
| 2E5 | TEMPERATURE SENSOR (ROBERT BOSCH) (6076HH034) | 26 - 61A | 2E17 | TRANSFER PUMP, FUEL (DENSO) (ESN 500000-538145) (6076HH031) | 26 - 70 |
| 2E9 | TEMPERATURE SENSOR (6076HH031) (ROBERT BOSCH) (LATE DESIGN F.I.P.) | 26 - 64 | 2E16 | TRANSFER PUMP, FUEL (RB(ESN 5000000-) (6076HH030, HH032, HH034, HH036) | 26 - 69 |
| 2E11 | TEMPERATURE SENSOR (6076HH035) (ROBERT BOSCH) (LATE DESIGN F.I.P.) | 26 - 65A | 2E18 | TRANSFER PUMP, FUEL (ROBERT BOSCH) (ESN 538146-)(6076HH031, HH035) | 26 - 71 |
| 3E9 | TEMPERATURE SWITCH, INLET AIR | 40 - 66 | 1G7 | TRANSFER PUMP, FUEL (ROBERT BOSCH) (HH001/HH004) (ESN -499999) | 25 - 79 |
| 3F23 | TERMINAL AND WIRING KIT | 40 - 104 | 1G8 | TRANSFER PUMP, FUEL (TH001, HH003) (ND) (ESN -499999) | 25 - 80 |
| 1G16 | TERMINALS, ELECTRICAL, WEATHERPACK | 25 - 90 | 9C5 | TRANSITION AUGER HOUSING | 130 - 12 |
| 3F17 | TERMINALS, ELECTRICAL, WEATHERPACK | 40 - 98 | 4C11 | TRANSMISSION (-657284) | 50 - 16 |
| 2F5 | TERMINALS, ELECTRICAL, WEATHERPACK (6076) | 26 - 84 | 4C12 | TRANSMISSION (657285-) | 50 - 17 |
| 3F25 | TERMINALS, SUPPLEMENTARY, AND CONNECTORS | 40 - 106 | 4C18 | TRANSMISSION AND DIFFERENTIAL HOUSING COVER AND SHIFTER CAM | 50 - 23 |
| 1D9 | TEST KIT, COOLANT SCAN | 25 - 2 | 4C10 | TRANSMISSION AND DIFFERENTIAL HOUSING, SHIFTER FORKS | 50 - 15 |
| 2B24 | TEST KIT, COOLANT SCAN | 26 - 3 | 4C19 | TRANSMISSION BEARINGS | 50 - 24 |
| 2D10 | THERMOSTAT HOUSING, FRONT (ESN 500000-) | 26 - 42 | 4C19 | TRANSMISSION GEARS | 50 - 24 |
| 1F7 | THERMOSTAT HOUSING, FRONT (EARLY DESIGN ENGINE) (TH001,HH001,HH004) | 25 - 52 | 4C13 | TRANSMISSION GEARSHIFT LEVER AND LINKAGE | 50 - 18 |
| 1F8 | THERMOSTAT HOUSING, FRONT (HH003) (ESN -499999) | 25 - 53 | 6D4 | TRANSMISSION GEARSHIFT LEVER AND LINKAGE | 90 - 36 |
| 3C19 | THERMOSTAT KIT, AIR CONDITIONER (630301-640300) | 40 - 26 | 4C19 | TRANSMISSION INPUT SHAFT | 50 - 24 |
| 7B19 | THRESHING CYLINDER COVER | 120 - 1 | 4C19 | TRANSMISSION LUBE PUMP | 50 - 24 |
| 7C9 | THRESHING CYLINDER, RASP BAR | 120 - 16 | 4C21 | TRANSMISSION PINION GEARS | 50 - 26 |
| 7C11 | THRESHING CYLINDER, RASP BAR | 120 - 18 | 4C21 | TRANSMISSION PINION SHAFT | 50 - 26 |
| 7C21 | THRESHING CYLINDER, SPIKE TOOTH | 120 - 28 | 4C21 | TRANSMISSION PINION SHAFT BEARINGS | 50 - 26 |
| 1E1 | THRUST BEARING | 25 - 20 | 3D9 | TRANSMISSION SPEED SENSOR | 40 - 42 |
| 2C14 | THRUST BEARING (6076) | 26 - 17 | 1C10 | TRANSMISSION-ENGINE COUPLING WITH HUB | 20 - 17 |
| 4I12 | TIE RODS, STEERING, ADJUSTABLE REAR AXLE | 60 - 49 | 3G24 | TRANSPORT WARNING LIGHTS | 40 - 130 |
| 4I10 | TIE RODS, STEERING, FIXED REAR AXLE | 60 - 47 | 7B20 | TRAP, STONE | 120 - 2 |
| 4I11 | TIE RODS, STEERING, 4-WHEEL DRIVE FIXED REAR AXLE | 60 - 48 | 4I1 | TRASH SHIELD, REAR AXLE | 60 - 38 |
| 8D23 | TIGHTENER AND BEATER DRIVE SHEAVES | 121 - 54 | 8F5 | TRI ROTOR STRAW CHOPPER (645301-655300) | 121 - 84 |
| 8D5 | TIGHTENER, CYLINDER DRIVE, DUAL-RANGE | 121 - 36 | 8F7 | TRI ROTOR STRAW CHOPPER (655301-) | 121 - 86 |
| 6G3 | TIGHTENER, DRIVE, VARIABLE SPEED | 110 - 10 | 6C1 | TRIM PANELS, CAB INTERIOR | 90 - 8 |
| 8E11 | TIGHTENER, FEEDER HOUSE DRIVE | 121 - 66 | | | |
| 6H5 | TIGHTENER, GUIDES AND FEEDER CONVEYOR DRIVE CHAIN | 110 - 38 | | | |
| 6I3 | TIGHTENER, GUIDES AND FEEDER CONVEYOR DRIVE CHAIN-RETROFIT INSTALLATION | 110 - 58 | | | |

ALPHABETICAL INDEX - CONTINUED

| <i>GRID</i> | | <i>PAGE</i> | <i>GRID</i> | | <i>PAGE</i> |
|-------------|---|-------------|-------------|---|-------------|
| 1D12 | TUBE, DIPSTICK | 25 - 6 | 8B22 | UNLOADING DRIVE, STRAW CHOPPER AND SEPARATOR DRIVE GEAR, ENGINE GEARCASE .. | 121 - 4 |
| 2C19 | TUBE, ENGINE OIL DIPSTICK (ESN 500000-)..... | 26 - 22 | 9E20 | UNLOADING SYSTEM BELTS | 170 - 5 |
| 1E8 | TUBE, ENGINE OIL DIPSTICK (EARLY DESIGN) (ESN -499999)..... | 25 - 28 | 9C1 | UPPER CLEAN GRAIN ELEVATOR..... | 130 - 8 |
| 2D15 | TURBOCHARGER (ESN 500000-)..... | 26 - 48 | 9C3 | UPPER CLEAN GRAIN ELEVATOR SHAFT, SPROCKET AND SHEAVE..... | 130 - 10 |
| 1F12 | TURBOCHARGER (EARLY DESIGN) (ESN -499999)..... | 25 - 58 | 9C16 | UPPER CLEAN GRAIN ELEVATOR SHIELDS (-640603) | 130 - 24 |
| 2D18 | TURBOCHARGER CENTER HOUSING (AIRESEARCH) 1F14 TURBOCHARGER CENTER HOUSING (AIRESEARCH) (ESN -499999)..... | 26 - 51 | 9C18 | UPPER CLEAN GRAIN ELEVATOR SHIELDS (640604-) | 130 - 26 |
| 2D17 | TURBOCHARGER CENTER HOUSING (SCHWITZER) 1F15 TURBOCHARGER CENTER HOUSING (SCHWITZER) (ESN -499999)..... | 26 - 50 | 9C5 | UPPER CLEAN GRAIN LOADING AUGER HOUSING .. | 130 - 12 |
| 1F12 | TURBOCHARGER GASKET | 25 - 58 | 9C7 | UPPER CLEAN GRAIN LOADING AUGER HOUSING (660301-) | 130 - 14 |
| 2D15 | TURBOCHARGER GASKET | 26 - 48 | 3E3 | UPPER HARNESS FOR 6076 ENGINE | 40 - 60 |
| 2D15 | TURBOCHARGER OIL LINES (ESN 500000-)..... | 26 - 48 | 5D20 | UPPER HYDRAULIC RETURN LINES | 70 - 50 |
| 1F12 | TURBOCHARGER OIL LINES (EARLY DESIGN) (ESN -499999)..... | 25 - 58 | 8I10 | UPPER REAR TAILINGS SHIELD | 125 - 66 |
| 3C4 | TURN LIGHTS | 40 - 9 | 6G21 | UPPER SHAFT, FEEDER HOUSE (-645300) | 110 - 30 |
| 4H11 | TURN SIGNAL SWITCH | 60 - 24 | 6G23 | UPPER SHAFT, FEEDER HOUSE (645301-)..... | 110 - 32 |
| 6E14 | TURN SIGNAL SWITCH | 90 - 72 | 4H9 | UPPER STEERING HOSES | 60 - 22 |
| | U | | 9E20 | UPPER TAILINGS AUGER BELT | 170 - 5 |
| 1D22 | UNDERHAUL KIT, ENGINE (STD BEARINGS) | 25 - 16 | 8I6 | UPPER TAILINGS AUGER DRIVE | 125 - 62 |
| 2C11 | UNDERHAUL KIT, ENGINE (STD BRGS) (6076) | 26 - 14 | 8I8 | UPPER TAILINGS AUGER DRIVE | 125 - 64 |
| 5E3 | UNLOAD MODULE, RELIEF VALVE, SOLENOID CONTROL VALVE | 70 - 58 | 8I4 | UPPER TAILINGS AUGER HOUSING AND PADDLE ASSEMBLY | 125 - 60 |
| 9E19 | UNLOADING AUGER BELTS | 170 - 4 | 8I4 | UPPER TAILINGS AUGER PADDLE ASSEMBLY | 125 - 60 |
| 9E1 | UNLOADING AUGER COUNTERSHAFT DRIVE | 130 - 58 | 8I6 | UPPER TAILINGS AUGER, DRIVE AND SHIELD..... | 125 - 62 |
| 9E3 | UNLOADING AUGER DRIVE BELT GUIDE..... | 130 - 60 | 8I8 | UPPER TAILINGS AUGER, DRIVE AND SHIELD..... | 125 - 64 |
| 9D14 | UNLOADING AUGER HOUSING, HORIZONTAL..... | 130 - 48 | 8I1 | UPPER TAILINGS DRIVE CHAIN TIGHTENER..... | 125 - 57 |
| 9D16 | UNLOADING AUGER HOUSING, HORIZONTAL (EXPORT) | 130 - 49A | 4F9 | UPPER, HYDROSTATIC DRIVE OIL HOSES | 50 - 88 |
| 3E13 | UNLOADING AUGER LIGHT AND HARNESS..... | 40 - 70 | 4F11 | UPPER, HYDROSTATIC DRIVE OIL HOSES (655301-) | 50 - 90 |
| 3E13 | UNLOADING AUGER LIGHT CLAMPS | 40 - 70 | 5G18 | UPRIGHT KIT, NO. 1..... | 80 - 4 |
| 3E11 | UNLOADING AUGER LIMIT SWITCH | 40 - 68 | 5G19 | UPRIGHT KIT, NO. 5..... | 80 - 5 |
| 9E8 | UNLOADING AUGER LOWER LUBE BANK | 130 - 66 | | V | |
| 3D21 | UNLOADING AUGER SENSOR AND WIRING HARNESS (660301-)..... | 40 - 54 | 9E11 | VALVE BLOCK AND HYDRAULIC LINE, DIAL-A-MATIC HEADER HEIGHT CONTROL | 160 - 2 |
| 5F15 | UNLOADING AUGER SWING HYDRAULIC CYLINDER KIT | 70 - 98 | 5D11 | VALVE BLOCK SOLENOID, DIAL-A-MATIC, HEADER HEIGHT CONTROL | 70 - 41 |
| 5F9 | UNLOADING AUGER SWING HYDRAULIC CYLINDER (-650300) | 70 - 92 | 5E22 | VALVE MODULE, SIX STACK SOLENOID CONTROL ASSEMBLY & MOUNTINGS (660301-) | 70 - 80 |
| 5F11 | UNLOADING AUGER SWING HYDRAULIC CYLINDER (650301-657573) | 70 - 94 | 1E10 | VALVE SEAT INSERTS (ESN -499999) | 25 - 30 |
| 5F13 | UNLOADING AUGER SWING HYDRAULIC CYLINDER (657574-) | 70 - 96 | 2C20 | VALVE SEAT INSERTS (ESN 500000-) | 26 - 24 |
| 5F5 | UNLOADING AUGER SWING HYDRAULIC CYLINDER LINES AND HOSES | 70 - 88 | 5E3 | VALVE SOLENOID CONTROL UNLOAD MODULE | 70 - 58 |
| 5F9 | UNLOADING AUGER SWING HYDRAULIC MOUNTING (-650300) | 70 - 92 | 1D9 | VALVE STEM LUBRICANT | 25 - 2 |
| 5F11 | UNLOADING AUGER SWING HYDRAULIC MOUNTING (650301-657573) | 70 - 94 | 2B24 | VALVE STEM LUBRICANT | 26 - 3 |
| 5F13 | UNLOADING AUGER SWING HYDRAULIC MOUNTING (657574-) | 70 - 96 | 5E10 | VALVE, AUGER SWING, DOUBLE PILOTED, SOLENOID CONTROL VALVE (-650300) | 70 - 66 |
| 9D7 | UNLOADING AUGER SWIVEL, HORIZONTAL | 130 - 40 | 8H1 | VALVE, CHECK, CHAFF SPREADER, CONTROL | 125 - 32 |
| 9E6 | UNLOADING AUGER UPPER LUBE BANK..... | 130 - 64 | 6F9 | VALVE, COMPRESSOR (650301-) R134A | 90 - 93 |
| 9D11 | UNLOADING AUGER, HORIZONTAL, HUB SUPPORT | 130 - 44 | 6F4 | VALVE, COMPRESSOR SERVICE (-650300) R-12 | 90 - 87 |
| 5F7 | UNLOADING DRIVE CYLINDER, GRAIN TANK | 70 - 90 | 4E13 | VALVE, CONTROL | 50 - 67 |
| 8B20 | UNLOADING DRIVE, STRAW CHOPPER AND SEPARATOR DRIVE GEAR- ENGINE GEARCASE .. | 121 - 2 | 4E12 | VALVE, CONTROL (-655300) | 50 - 66 |
| | | | 4E14 | VALVE, CONTROL, SOLENOID(FOUR-WHEEL DR.) | 50 - 68 |
| | | | 1E10 | VALVE, EXHAUST (ESN -499999)..... | 25 - 30 |
| | | | 2C20 | VALVE, EXHAUST (ESN 500000-)..... | 26 - 24 |
| | | | 2F1 | VALVE, FUEL CHECK (ESN 500000-) (HH030, HH032, HH034, HH036)..... | 26 - 80 |
| | | | 2F3 | VALVE, FUEL CHECK (HH031 OR HH035) | 26 - 82 |
| | | | 1G14 | VALVE, FUEL CHECK (6076) (ESN -499999)..... | 25 - 88 |
| | | | 4D9 | VALVE, HYDRO. DR. DISPLACEMENT CONTROL..... | 50 - 38 |
| | | | 4D13 | VALVE, HYDROSTATIC MOTOR | 50 - 42 |
| | | | 4D16 | VALVE, HYDROSTATIC MOTOR | 50 - 45 |

ALPHABETICAL INDEX - CONTINUED

| GRID | | PAGE | GRID | | PAGE |
|------|--|----------|------|---|----------|
| 1E10 | VALVE, INTAKE (ESN -499999)..... | 25 - 30 | 1F1 | WATER PUMP (EARLY DESIGN) (ESN -499999)..... | 25 - 46 |
| 2C20 | VALVE, INTAKE (ESN 500000-)..... | 26 - 24 | 2D7 | WATER PUMP (ESN 500000-)..... | 26 - 38 |
| 1E20 | VALVE, OIL COOLER BYPASS (ESN -156313)..... | 25 - 40 | 1F1 | WATER PUMP BEARING (EARLY DESIGN) (ESN -499999)..... | 25 - 46 |
| 1E21 | VALVE, OIL COOLER BYPASS (ESN 156314-499999)..... | 25 - 41 | 2D7 | WATER PUMP BEARING (ESN 500000-)..... | 26 - 38 |
| 2D4 | VALVE, OIL FILTER BYPASS (ESN 500000-)..... | 26 - 34 | 1F1 | WATER PUMP GASKET (EARLY DESIGN) (ESN -499999)..... | 25 - 46 |
| 1E22 | VALVE, OIL FILTER BYPASS (EARLY DESIGN) (ESN -499999)..... | 25 - 42 | 2D7 | WATER PUMP GASKET (ESN 500000-)..... | 26 - 38 |
| 1E24 | VALVE, OIL PAN DRAIN..... | 25 - 45 | 1F1 | WATER PUMP IMPELLER (EARLY DESIGN) (ESN -499999)..... | 25 - 46 |
| 2D6 | VALVE, OIL PAN DRAIN..... | 26 - 36 | 2D7 | WATER PUMP IMPELLER (ESN 500000-)..... | 26 - 38 |
| 1E22 | VALVE, OIL PRESSURE REGULATING (ESN -499999)..... | 25 - 42 | 1F6 | WATER PUMP INLET HOUSING (EARLY DESIGN) (ESN -499999) | 25 - 51 |
| 2D4 | VALVE, OIL PRESSURE REGULATING (ESN 500000-)..... | 26 - 34 | 2D9 | WATER PUMP REPAIR KIT (ESN 500000-)..... | 26 - 40 |
| 4G12 | VALVE, PARKING BRAKE (-640300) | 60 - 1 | 1F3 | WATER PUMP REPAIR KIT (EARLY DESIGN) (ESN -499999)..... | 25 - 48 |
| 5C1 | VALVE, REEL DRIVE FLOW CONTROL | 70 - 6 | 1F1 | WATER PUMP SEAL (EARLY DESIGN) (ESN -499999)..... | 25 - 46 |
| 5E13 | VALVE, REEL FORE/AFT, DOUBLE PILOTED, SOLENOID CONTROL VALVE (-650300) | 70 - 70 | 2D7 | WATER PUMP SEAL (ESN 500000-) | 26 - 38 |
| 5E3 | VALVE, RELIEF, SOLENOID CONTROL VALVE UNLOAD MODULE | 70 - 58 | 2F19 | WATER SEPARATOR | 30 - 4 |
| 5E15 | VALVE, SOLENOID CONTROL - CONTOUR MASTER (660301-)..... | 70 - 72 | 6G14 | WEAR PLATES, FEEDER HOUSE - CONTOUR MASTER (660301-)..... | 110 - 22 |
| 5E17 | VALVE, SOLENOID CONTROL MODULE ASSEMBLY AND MOUNTINGS | 70 - 74 | 1G16 | WEATHERPACK CONNECTORS | 25 - 90 |
| 5E19 | VALVE, SOLENOID CONTROL MODULE ASSEMBLY AND MOUNTINGS | 70 - 76 | 3F17 | WEATHERPACK CONNECTORS | 40 - 98 |
| 5E3 | VALVE, SOLENOID CONTROL RELIEF - CONTOUR MASTER | 70 - 58 | 2F5 | WEATHERPACK CONNECTORS (6076) | 26 - 84 |
| 5E8 | VALVE, SOLENOID CONTROL, CYLINDER SPEED AND REEL LIFT BI-DIRECTIONAL MODULE | 70 - 64 | 1G16 | WEATHERPACK TERMINALS | 25 - 90 |
| 5E6 | VALVE, SOLENOID CONTROL, HEADER LIFT MODULE | 70 - 62 | 3F17 | WEATHERPACK TERMINALS | 40 - 98 |
| 5C7 | VARIABLE DRIVE HYD. HOSE, FEEDER HOUSE | 70 - 12 | 2F5 | WEATHERPACK TERMINALS (6076) | 26 - 84 |
| 6H11 | VARIABLE DRIVE, FEEDER HOUSE, UPPER COUNTERSHAFT | 110 - 44 | 6C5 | WEATHERSTRIP, CAB DOOR | 90 - 12 |
| 6G1 | VARIABLE FRONT SHAFT WITH REVERSER | 110 - 8 | 1F1 | WEEP HOLE FILTER (WATER PUMP) (EARLY DESIGN) (ESN -499999) | 25 - 46 |
| 8C19 | VARIABLE SHEAVE AND SUPPORTS, PRIMARY COUNTERSHAFT | 121 - 26 | 2D7 | WEEP HOLE FILTER (WATER PUMP) (ESN 500000-)..... | 26 - 38 |
| 6G3 | VARIABLE SPEED DRIVE TIGHTENER | 110 - 10 | 5F21 | WET CLUTCH OIL COOLER HYDRAULIC LINES AND HOSES (-640300) | 70 - 104 |
| 6H11 | VARIABLE DRIVE, FEEDER HOUSE, UPPER COUNTERSHAFT SUPPORTS..... | 110 - 44 | 5G1 | WET CLUTCH OIL COOLER HYDRAULIC LINES AND HOSES (665301-) | 70 - 108 |
| 9D3 | VERTICAL AUGER LOWER GEAR CASE..... | 130 - 36 | 5F23 | WET CLUTCH OIL COOLER LINES AND HOSES (640301-665300) | 70 - 106 |
| 3E17 | VOLTAGE REGULATOR, ALTERNATOR (90 AMP) MOTOROLA-PRESTOLITE (-636603) | 40 - 74 | 4I13 | WHEEL WEIGHTS AND REAR WHEELS | 60 - 50 |
| 3E21 | VOLTAGE REGULATOR, ALTERNATOR (95 AMP) BOSCH (636604-)..... | 40 - 78 | 4C4 | WHEEL, HIGH FLOATATION DRIVE PLANETARY FINAL DRIVE | 50 - 9 |
| W | | | 4H11 | WHEEL, STEERING | 60 - 24 |
| 9E17 | WALKER BELTS | 170 - 2 | 6E14 | WHEEL, STEERING | 90 - 72 |
| 7F1 | WALKERS, STRAW..... | 120 - 78 | 4C3 | WHEELS, DRIVE | 50 - 8 |
| 3D24 | WARNING SWITCH, AIR FILTER..... | 40 - 57 | 4I15 | WHEELS, REAR (4-WHEEL DRIVE/CAM LODE MOTOR)..... | 60 - 52 |
| 3D3 | WASHER, WINDSHIELD..... | 40 - 36 | 4I13 | WHEELS, REAR, AND WHEEL WEIGHTS | 60 - 50 |
| 1F7 | WATER MANIFOLD GASKET (EARLY DESIGN ENGINE) (TH001,HH001,HH004) | 25 - 52 | 4C5 | WIDE-SPACED DUAL WHEELS (PLANETARY FINAL DRIVE) | 50 - 10 |
| 2D10 | WATER MANIFOLD GASKET (ESN 500000-) | 26 - 42 | 3D3 | WINDSHIELD WASHER | 40 - 36 |
| 1F8 | WATER MANIFOLD GASKET (HH003) (ESN -499999)..... | 25 - 53 | 3C24 | WINDSHIELD WIPER (LONG) | 40 - 32 |
| 1F7 | WATER MANIFOLD, FRONT (EARLY DESIGN ENGINE) (TH001,HH001,HH004) | 25 - 52 | 3D1 | WIPER (SHORT) | 40 - 34 |
| 2D10 | WATER MANIFOLD, FRONT (ESN 500000-) | 26 - 42 | 3B22 | WIPER MOTOR, WIRING HARNESS..... | 40 - 2 |
| 1F8 | WATER MANIFOLD, FRONT (HH003) (ESN -499999)..... | 25 - 53 | 3B22 | WIPER SWITCH, WIRING HARNESS | 40 - 2 |
| | | | 3D1 | WIPER, WINDSHIELD (SHORT)..... | 40 - 34 |
| | | | 3C24 | WIPER, WINDSHIELD (LONG)..... | 40 - 32 |
| | | | 3F23 | WIRING AND TERMINAL KIT..... | 40 - 104 |
| | | | 3F23 | WIRING CRIMPING TOOL | 40 - 104 |
| | | | 1G1 | WIRING HARNESS (HH001) (EARLY DESIGN ENGINE)..... | 25 - 72 |
| | | | 2E3 | WIRING HARNESS (ROBERT BOSCH) (6076HH030) | 26 - 60 |
| | | | 2E5 | WIRING HARNESS (ROBERT BOSCH) (6076HH034) | 26 - 61A |

ALPHABETICAL INDEX - CONTINUED

| <i>GRID</i> | | <i>PAGE</i> | <i>GRID</i> | <i>PAGE</i> |
|-------------|---|-------------|-------------|-------------|
| 1G3 | WIRING HARNESS (TH001) (EARLY DESIGN STD. HP ENGINE)..... | 25 - 74 | | |
| 2E1 | WIRING HARNESS (6076HH030) (EARLY DESIGN) | 26 - 58 | | |
| 2E7 | WIRING HARNESS (6076HH031) (DENSO) (EARLY DESIGN F.I.P.) | 26 - 62 | | |
| 2E9 | WIRING HARNESS (6076HH031) (ROBERT BOSCH) (LATE DESIGN F.I.P.) | 26 - 64 | | |
| 2E11 | WIRING HARNESS (6076HH035) (ROBERT BOSCH) (LATE DESIGN F.I.P.) | 26 - 65A | | |
| 3D11 | WIRING HARNESS ADAPTER (CONTOUR MASTER).. | 40 - 44 | | |
| 3D13 | WIRING HARNESS ADAPTER (CONTOUR MASTER).. | 40 - 46 | | |
| 3C17 | WIRING HARNESS, A/C, HEATER AND AIR SEAT (660301-) | 40 - 24 | | |
| 5B21 | WIRING HARNESS, ACCUMULATOR PRESSURE GAUGE..... | 70 - 2 | | |
| 3C7 | WIRING HARNESS, ARMREST | 40 - 12 | | |
| 3E13 | WIRING HARNESS, DUAL LEVEL MONITOR..... | 40 - 70 | | |
| 3E11 | WIRING HARNESS, GRAIN TANK..... | 40 - 68 | | |
| 3E1 | WIRING HARNESS, HARVESTRAK MONITOR..... | 40 - 58 | | |
| 3D11 | WIRING HARNESS, MAIN, L.H. CENTER | 40 - 44 | | |
| 3D13 | WIRING HARNESS, MAIN, L.H. CENTER | 40 - 46 | | |
| 3D7 | WIRING HARNESS, MAIN, L.H. FRONT | 40 - 40 | | |
| 3D17 | WIRING HARNESS, R.H. MAIN | 40 - 50 | | |
| 3C11 | WIRING HARNESS, STEERING COLUMN (-645904) | 40 - 18 | | |
| 3C13 | WIRING HARNESS, STEERING COLUMN (645905-) | 40 - 20 | | |
| 3D21 | WIRING HARNESS, UNLOADING AUGER (660301-) | 40 - 54 | | |
| 3E13 | WIRING HARNESS, UNLOADING AUGER LIGHT | 40 - 70 | | |
| 3D9 | WIRING HARNESS,L H MAIN, L H FRONT | 40 - 42 | | |
| 3F23 | WIRING STRIPPING TOOL..... | 40 - 104 | | |
| 3F25 | WIRING, SUPPLEMENTARY TERMINALS AND CONNECTORS | 40 - 106 | | |
| Y | | | | |
| 4E8 | YOKE, PIVOTS, AND CAPS (STEERABLE MOTOR) | 50 - 62 | | |

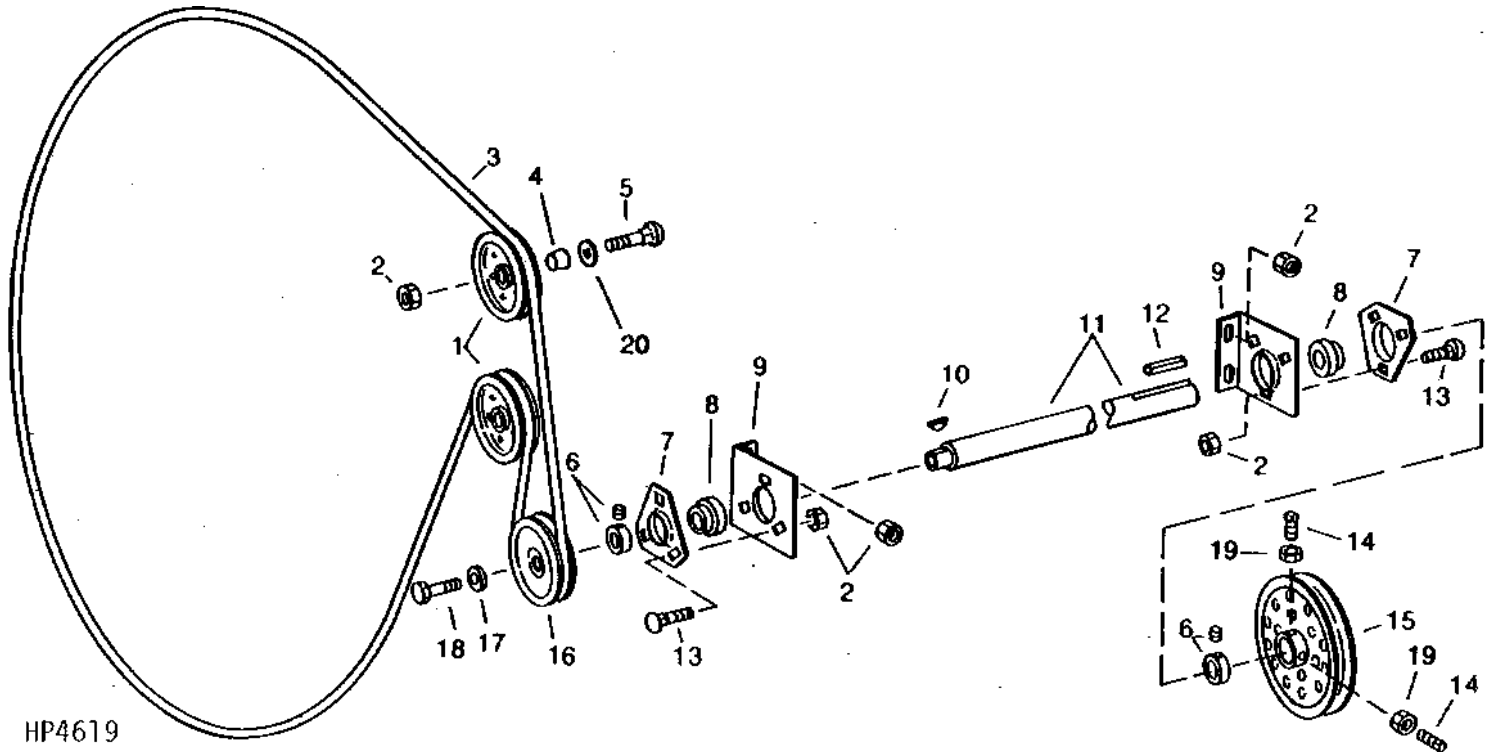
1B18

ENGINE FAN, INTERCOOLER AND SCREENS

ROTARY SCREEN DRIVE

(-645300)

HP4619 -UN-01JAN94



HP4619

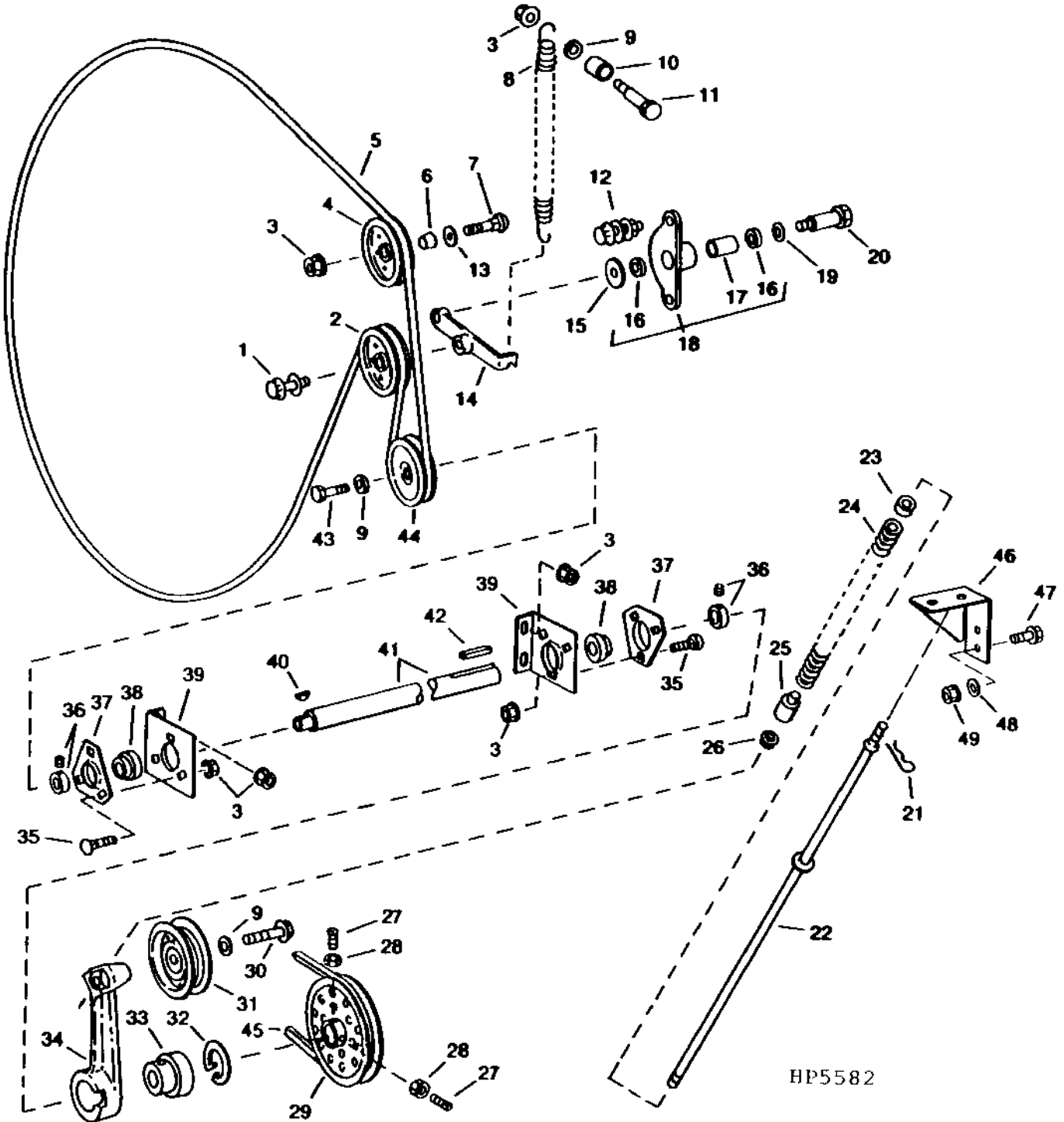
| KEY | PART NO. | PART NAME | QTY | SERIAL NO. | REMARKS |
|-----|----------|--------------------------|-----|------------|--|
| 1 | AH135035 | SHEAVE | 2 | | (SUB FOR AH115347) |
| 2 | 14M7298 | FLANGE NUT | 2 | | M8 |
| 3 | H143869 | BELT | 1 | -641716 | (SUB FOR H133576) |
| | H145158 | BELT | 1 | 641717- | |
| 4 | H121407 | SPACER | 2 | -632154 | |
| 5 | 03M7224 | BOLT | 2 | -635300 | M8 X 65 |
| | 03M7223 | BOLT | 2 | 635301- | M8 X 60 |
| 6 | AZ10044 | ECCENTRIC LOCKING COLLAR | 2 | | |
| 7 | H103264 | PRESSED FLANGED HOUSING | 2 | | |
| 8 | JD39102 | BALL BEARING | 2 | | |
| 9 | H123652 | PRESSED FLANGED HOUSING | 2 | | |
| 10 | | SHAFT KEY | 1 | | 5 X 16 MM (IN AH141142 KEY STOCK KIT) (CUT FROM H150267) |
| 11 | H123653 | COUNTERSHAFT | 1 | | |
| 12 | | SHAFT KEY | 1 | | 6 X 25 MM (IN AH141142 KEY STOCK KIT) (CUT FROM H150268) |
| 13 | 03M7183 | BOLT | 6 | | M8 X 16 |
| 14 | A50744 | BOLT | 2 | | M8 X 25 |
| 15 | AH115639 | SHEAVE | 1 | | |
| 16 | H118719 | HALF SHEAVE | 2 | | |
| 17 | 24M7207 | WASHER | 1 | | 8.400 X 24 X 2 MM |
| 18 | 19M7865 | SCREW | 1 | | M8 X 16 |
| 19 | 14M7273 | NUT | 2 | | M8 |
| 20 | 24H1850 | WASHER | 2 | -635300 | 17/32" X 1-1/4" X 0.180" |
| | 24M7055 | WASHER | 2 | 635301- | 8.400 X 16 X 1.600 MM |

1B19

ENGINE FAN, INTERCOOLER AND SCREENS

ROTARY SCREEN DRIVE AND IDLER ARMS

(645301-)
HP5582 -UN-01JAN94



HP5582

1B20

ENGINE FAN, INTERCOOLER AND SCREENS

ROTARY SCREEN DRIVE AND IDLER ARMS - CONTINUED (645301-)

| KEY | PART NO. | PART NAME | QTY | SERIAL NO. | REMARKS |
|-----|----------|--------------------------|-----|--|----------|
| 1 | 19M7867 | SCREW | 1 | M8 X 25 | |
| | 24M7207 | WASHER | 1 | 8.400 X 24 X 2 MM | |
| 2 | AH140119 | SHEAVE | 1 | | |
| 3 | 14M7298 | FLANGE NUT | 10 | M8 | |
| 4 | AH135035 | SHEAVE | 1 | | |
| 5 | H145158 | BELT | 1 | | |
| 6 | | SPACER | 1 | (SUB AH135035) | |
| 7 | 03M7224 | BOLT | 1 | M8 X 65 | |
| 8 | H146577 | EXTENSION SPRING | 1 | | |
| 9 | 24M7207 | WASHER | 3 | 8.400 X 24 X 2 MM | |
| 10 | 28H1720 | BUSHING | 1 | 0.423" X 0.675" X 27/32" | |
| 11 | H140715 | BOLT | 1 | M8 X 40 | |
| 12 | 19M7867 | SCREW | 2 | M8 X 25 | |
| | 24H1296 | WASHER | 2 | 11/32" X 1-3/8" X 0.134" | |
| | 14M7298 | FLANGE NUT | 2 | M8 | |
| 13 | 24H1850 | WASHER | 1 | 17/32" X 1-1/4" X 0.180" | |
| 14 | H146064 | PITMAN ARM | 1 | | |
| 15 | 24H1342 | WASHER | 1 | 17/32" X 1-1/4" X 0.036" | |
| 16 | AH10888 | SEAL | 2 | | |
| 17 | R36119 | BUSHING | 1 | | |
| 18 | AH140170 | SUPPORT | 1 | | |
| 19 | 24H1341 | WASHER | 1 | 17/32" X 15/16" X 0.060" | |
| 20 | M111701 | BOLT | 1 | M8 X 51 | |
| 21 | J16931 | SPRING LOCKING PIN | 1 | | |
| 22 | H131949 | ROD | 1 | | |
| 23 | H123918 | SPACER | 1 | | |
| 24 | H131948 | SPRING | 1 | | |
| 25 | H134214 | GUIDE | 1 | | |
| 26 | 14M7296 | FLANGE NUT | 1 | M10 | |
| 27 | A50744 | BOLT | 2 | M8 X 25 | |
| 28 | 14M7273 | NUT | 2 | M8 | |
| 29 | AH115639 | SHEAVE | 1 | | |
| 30 | 19M7868 | SCREW | 1 | M8 X 30 | |
| 31 | AH140497 | SHEAVE | 1 | | |
| 32 | R55408 | WEAR RING | 1 | | |
| 33 | AH140495 | BALL BEARING | 1 | | |
| 34 | H146586 | ARM | 1 | | |
| 35 | 03M7183 | BOLT | 6 | -666095 M8 X 16 | |
| | 19M7865 | SCREW | 6 | 666096- M8 X 16 | |
| 36 | AZ10044 | ECCENTRIC LOCKING COLLAR | 2 | | |
| 37 | H103264 | PRESSED FLANGED HOUSING | 2 | | |
| 38 | JD39102 | BALL BEARING | 2 | | |
| 39 | H123652 | PRESSED FLANGED HOUSING | 2 | | |
| 40 | 26M7002 | SHAFT KEY | 1 | 5 X 16 MM (0.197" X 0.630") | WOODRUFF |
| 41 | H123653 | COUNTERSHAFT | 1 | | |
| 42 | | SHAFT KEY | 1 | 5 X 16 MM (IN AH141142 KEY STOCK KIT) (CUT FROM H150267) | |
| 43 | 19M7865 | SCREW | 1 | M8 X 16 | |
| 44 | H118719 | HALF SHEAVE | 2 | | |
| 45 | H133577 | BELT | 1 | -630300 | |
| | H146637 | BELT | 1 | 630301-642015 | |
| | H146636 | BELT | 1 | 642014- | |
| 46 | H146680 | BRACKET | 1 | | |
| 47 | 19M7865 | SCREW | 2 | M8 X 16 | |
| 48 | 24M7207 | WASHER | 2 | 8.400 X 24 X 2 MM | |
| 49 | 14M7298 | FLANGE NUT | 2 | M8 | |

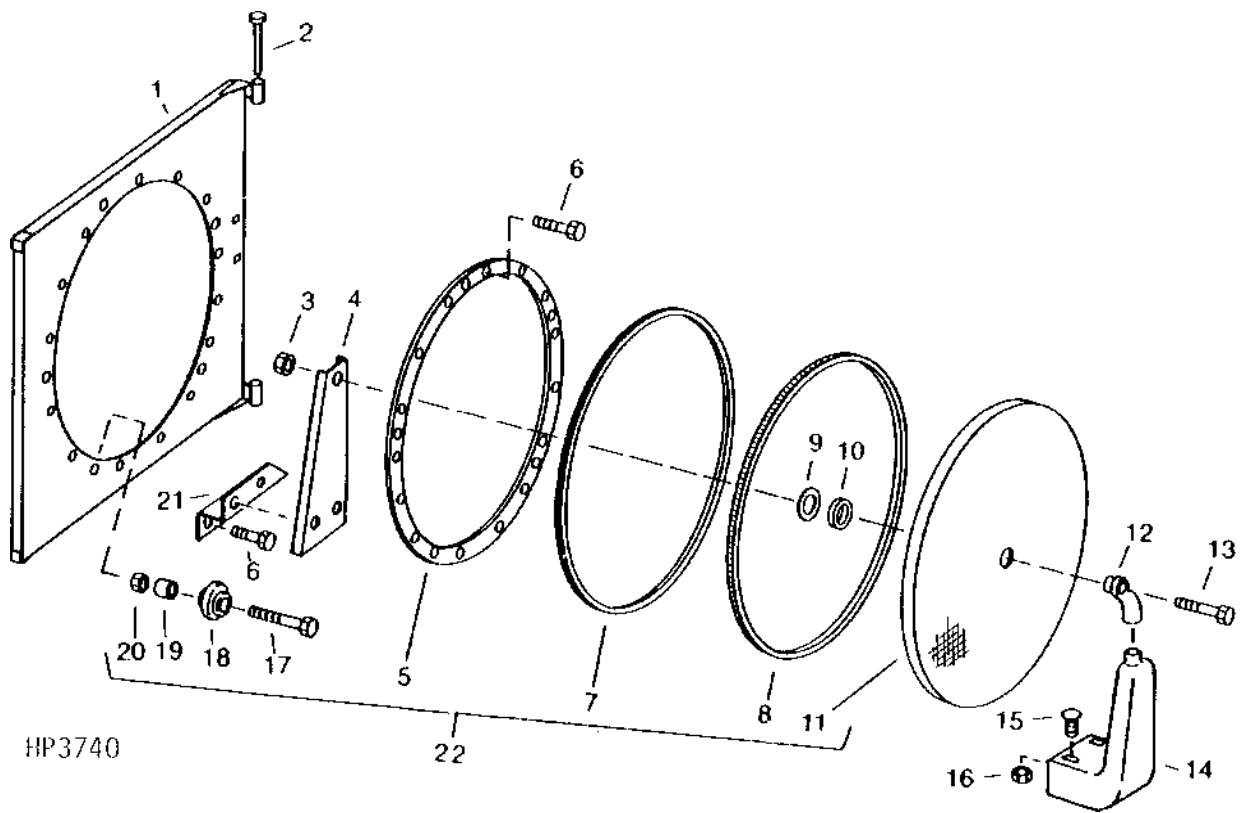
1B21

ENGINE FAN, INTERCOOLER AND SCREENS

ROTARY SCREEN DOOR AND SCREEN

(-640300)

HP3740 -UN-01JAN94



1B22

ENGINE FAN, INTERCOOLER AND SCREENS

ROTARY SCREEN DOOR AND SCREEN - CONTINUED
(-640300)

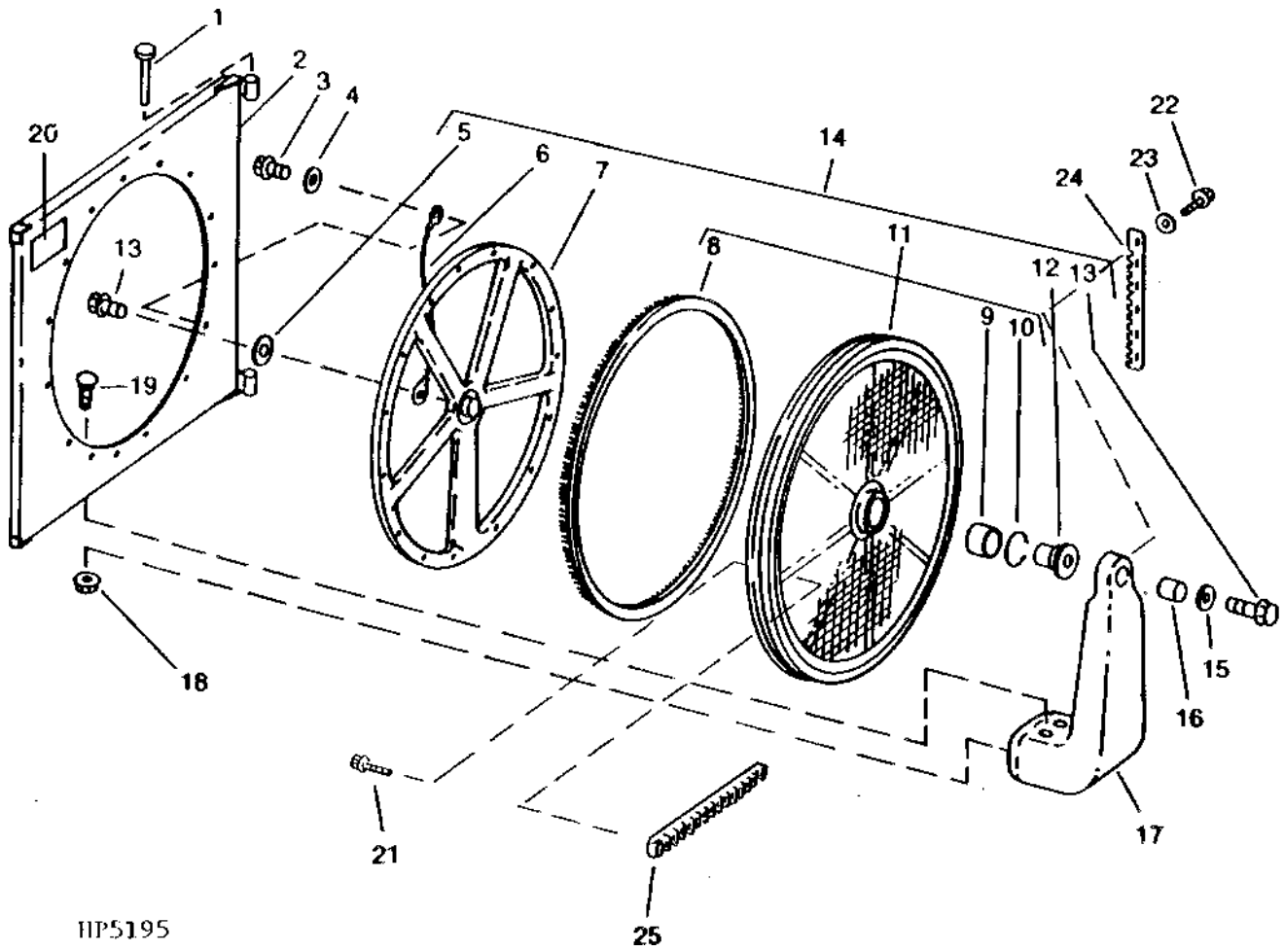
| KEY | PART NO. | PART NAME | QTY | SERIAL NO. | REMARKS |
|-----|----------|---------------|-----|---------------|--|
| 1 | AH125208 | DOOR | 1 | -640300 | |
| | AH135241 | DOOR | 1 | 640301-641716 | |
| | AH140118 | SHEET | 1 | 641717- | |
| 2 | H114818 | PIN | 2 | | 11.930 X 167 MM (0.470" X 6.575") |
| 3 | 14M7296 | FLANGE NUT | 1 | -635300 | M10 |
| 4 | H125377 | CHANNEL | 1 | -640300 | |
| 5 | H129683 | RING | 1 | -640300 | (SUB AH141672, H143562, 19M8162, 24M7055, 24M7178 AND 28H1524) |
| 6 | 19M7865 | SCREW | 17 | -635300 | M8 X 16 |
| | 19M8162 | CAP SCREW | 1 | 635301- | M10 X 40 |
| 7 | H138987 | BRUSH | 1 | | |
| 8 | H134354 | BRUSH | 1 | -640300 | |
| 9 | H134409 | SPRING WASHER | 1 | -635300 | 43.690 X 56.360 X 0.410 MM (1.720" X 2.219" X 0.016") |
| 10 | H119475 | THRUST WASHER | 1 | -635300 | 38.800 X 60 X 9 MM (1.528" X 2.362" X 0.354") |
| 11 | AH123792 | SCREEN | 1 | -640300 | (SUB AH141672, H143562, 19M8162, 24M7055, 24M7178 AND 28H1524) |
| 12 | H118781 | HUB | 1 | -640300 | |
| 13 | 19M7835 | SCREW | 1 | -635300 | M10 X 35 |
| 14 | H144277 | AIR DUCT | 1 | -640300 | (SUB FOR H125379) |
| | H143562 | AIR DUCT | 1 | 640301- | |
| 15 | 03M7183 | BOLT | 2 | | M8 X 16 |
| 16 | 14M7298 | FLANGE NUT | 4 | -635300 | M8 |
| 17 | 19M7658 | CAP SCREW | 5 | -640300 | M10 X 50 |
| 18 | AH135789 | WHEEL | 5 | -640300 | (SUB FOR AH128665) |
| 19 | 28H1521 | SPACER | 5 | -640300 | 0.493" X 0.675" X 9/16" |
| 20 | 14M7337 | NUT | AR | -656691 | M10, (SUB 14M7517) |
| | 14M7517 | LOCK NUT | AR | | M10 |
| 21 | H125376 | BRACKET | 1 | -640300 | |
| 22 | AH130423 | SCREEN | 1 | -635579 | (SUB AH135790) |
| | AH135790 | SCREEN | 1 | 635580-640300 | (SUB AH141672, H143562, 19M8162, 24M7055, 24M7178 AND 28H1524) |
| | AH134646 | SCREEN | 1 | 640301-646204 | (SUB AH141672) |
| | AH141672 | SCREEN | 1 | | |

1B23

ENGINE FAN, INTERCOOLER AND SCREENS

ROTARY SCREEN DOOR AND SCREEN

(640301-)
HP5195 -UN-01JAN94



1B24

ENGINE FAN, INTERCOOLER AND SCREENS

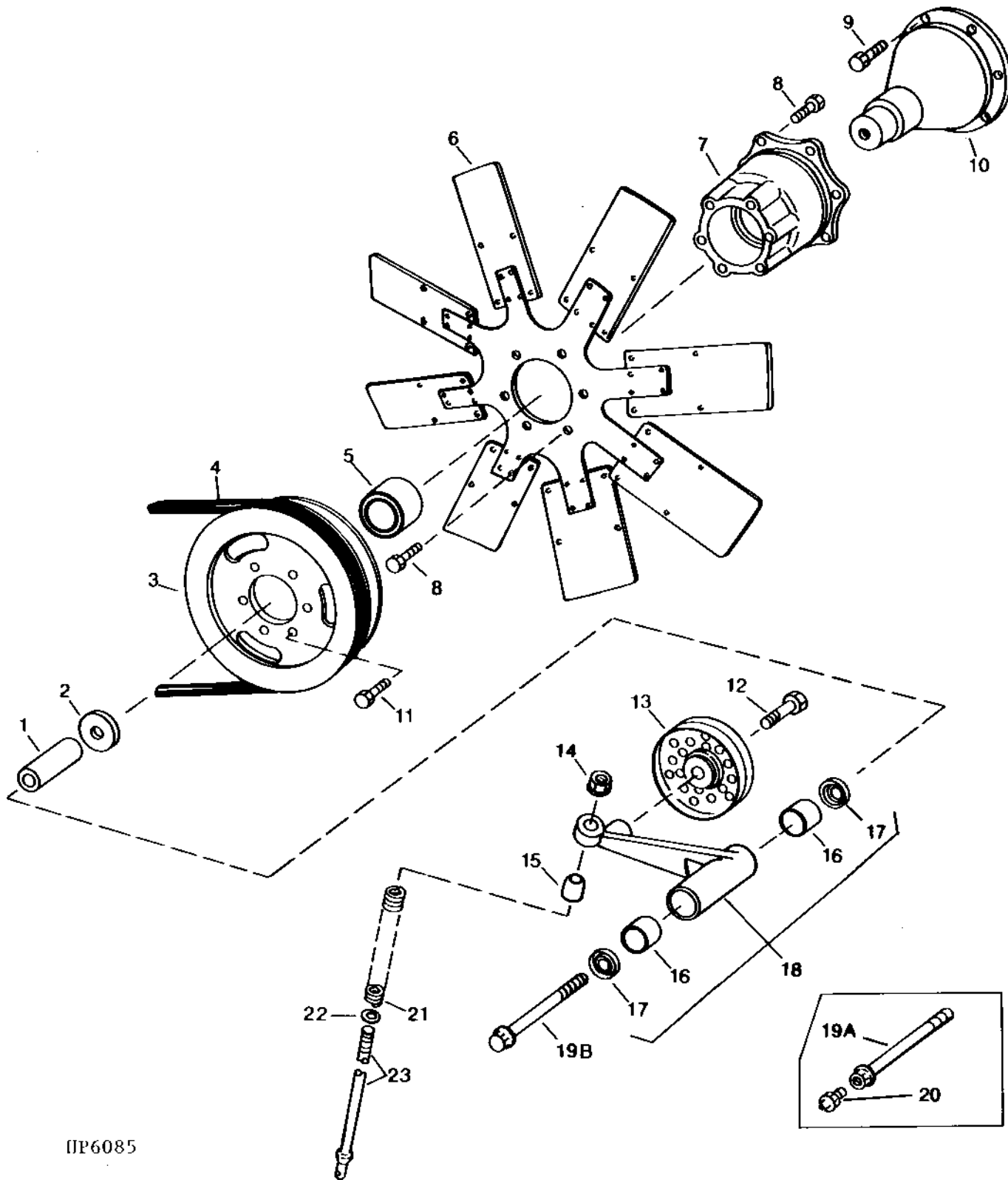
ROTARY SCREEN DOOR AND SCREEN - CONTINUED
(640301-)

| KEY | PART NO. | PART NAME | QTY | SERIAL NO. | REMARKS |
|-----|----------|----------------|-----|------------|-----------------------------------|
| 1 | H114818 | PIN | 2 | | 11.930 X 167 MM (0.470" X 6.575") |
| 2 | AH135241 | DOOR | 1 | -641716 | |
| | AH140118 | SHEET | 1 | 641717- | |
| 3 | 19M7865 | SCREW | 15 | | M8 X 16 |
| 4 | 12M7122 | LOCK WASHER | 1 | | 8.400 MM |
| 5 | 24M7028 | WASHER | 1 | | 10.500 X 20 X 2 MM |
| 6 | AH138257 | WIRING LEAD | 1 | | |
| 7 | AH134642 | HUB | 1 | | |
| 8 | AH141849 | BRUSH | 1 | | (SUB FOR AH135041) |
| 9 | AH109788 | ROLLER BEARING | 1 | | |
| 10 | H83285 | SNAP RING | 1 | | |
| 11 | AH141671 | SCREEN | 1 | | (SUB FOR AH134643) |
| 12 | H140380 | HUB | 1 | | |
| 13 | 19M8162 | CAP SCREW | 1 | | M10 X 40 |
| 14 | AH141672 | SCREEN | 1 | | (SUB FOR AH134646) |
| 15 | 24M7178 | WASHER | 1 | -650300 | 10.500 X 30 X 2.500 MM |
| | 24M7180 | WASHER | 1 | 650301- | 13 X 37 X 3 MM |
| 16 | 28H1720 | BUSHING | 1 | | 0.423" X 0.675" X 27/32" |
| 17 | H143562 | AIR DUCT | 1 | -650300 | |
| | AH141808 | AIR DUCT | 1 | 650301- | |
| 18 | 14M7298 | FLANGE NUT | 2 | | M8 |
| 19 | 03M7183 | BOLT | 2 | | M8 X 16 |
| 20 | H144692 | LABEL | 1 | | |
| 21 | 37H143 | SCREW | 16 | 650301- | |
| 22 | 19M7774 | SCREW | 6 | 650301- | M6 X 12 |
| 23 | 24M7207 | WASHER | 6 | 650301- | 8.400 X 24 X 2 MM |
| 24 | H148416 | KNIFE | 1 | 650301- | |
| 25 | AH142527 | RAKE | 2 | 650301- | |

1C1

ENGINE FAN, INTERCOOLER AND SCREENS

ENGINE FAN AND DRIVES
HP6085 -UN-14JUN95



HP6085

1C2

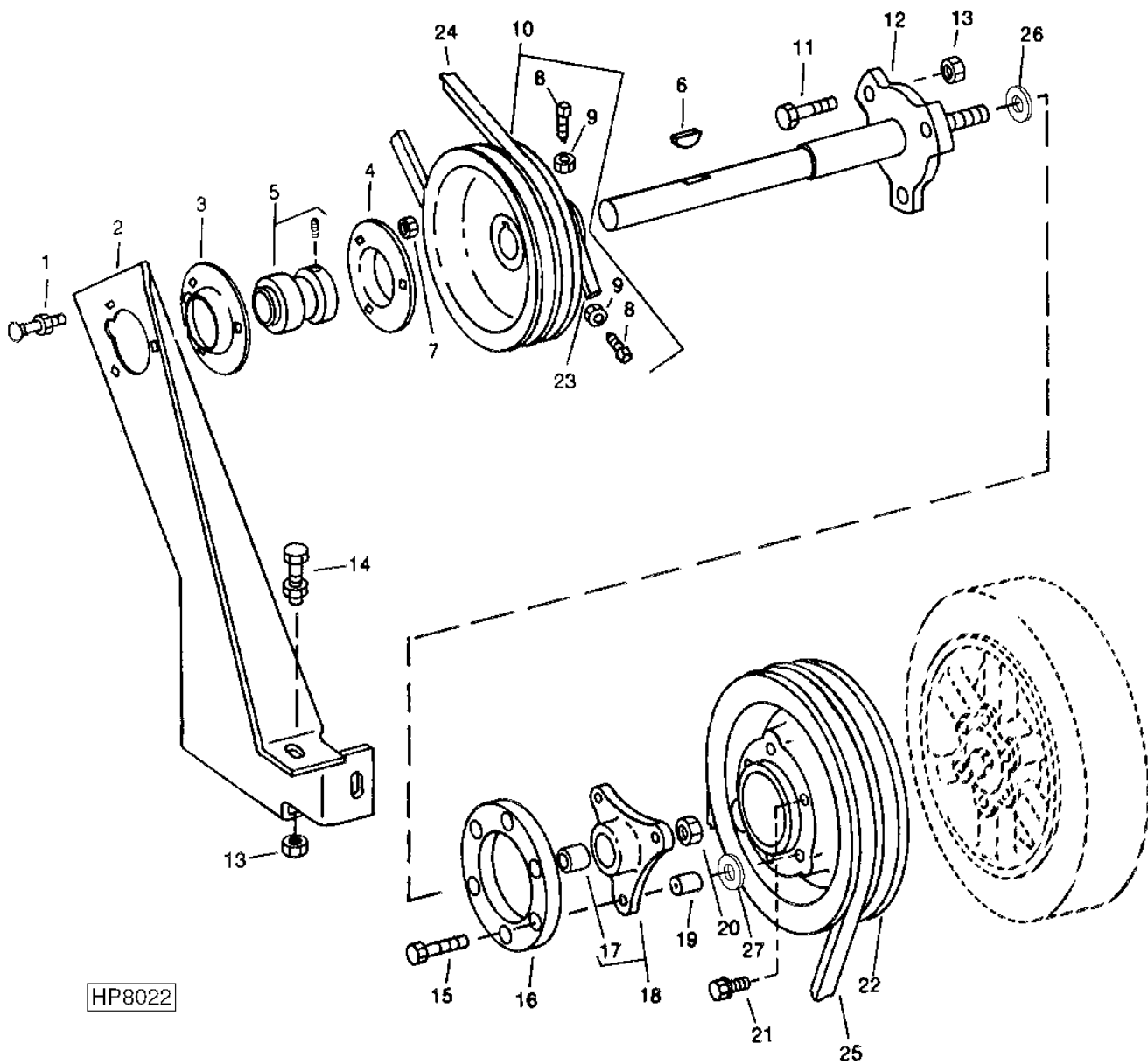
ENGINE FAN, INTERCOOLER AND SCREENS

ENGINE FAN AND DRIVES - CONTINUED

| KEY | PART NO. | PART NAME | QTY | SERIAL NO. | REMARKS |
|-----|----------|---------------------|-----|---------------|--|
| 1 | H125467 | BUSHING | 1 | | 13 X 25.310 X 90 MM (0.512" X 0.996" X 3.543") |
| 2 | H125466 | WASHER | 1 | | 13.500 X 48 X 8 MM |
| 3 | H129248 | SHEAVE | 1 | -641716 | |
| | H146750 | IDLER | 1 | 641717- | |
| 4 | H132808 | BELT | 1 | -641716 | |
| | H153297 | BELT | 1 | | (SUB FOR AH140623) |
| 5 | AH120815 | ROLLER BEARING | 1 | | (SUB FOR AH146634) |
| 6 | AH125673 | SUCTION FAN | 1 | | |
| 7 | H134143 | HUB | 1 | | |
| 8 | 19M7866 | SCREW | 6 | | M8 X 20 |
| 9 | 19M7785 | SCREW | 6 | | M10 X 25 |
| 10 | H134144 | SUPPORT | 1 | | (SUB FOR H152317) |
| 11 | 19M7867 | SCREW | 6 | | M8 X 25 |
| 12 | 19M8292 | SCREW | 1 | -640300 | M10 X 50 |
| | 19M8306 | SCREW | 1 | 640301- | M12 X 50 |
| 13 | AH120817 | SHEAVE | 1 | -640300 | (SUB AH96292, AH137736 AND 19M8306) |
| | AH96292 | SHEAVE | 1 | | |
| 14 | 14M7296 | FLANGE NUT | 1 | | M10 |
| 15 | H134214 | GUIDE | 1 | | |
| 16 | H99147 | BUSHING | 2 | | (SUB H171061) |
| | H171061 | BEARING | 2 | | |
| 17 | AA5607R | SEAL | 2 | | |
| 18 | AH115579 | ARM | 1 | -640300 | (SUB AH96292, AH137736 AND 19M8306) |
| | AH137736 | ARM | 1 | 640301- | |
| 19A | H140848 | SET SCREW | 1 | -665375 | (SUB FOR H125468) 1/8" - TAPPED BOLT |
| 19B | 19M7821 | SCREW | 1 | 665376-671332 | M12 X 120 |
| | H140848 | SET SCREW | 1 | 671333- | |
| 20 | JD7759 | LUBRICATION FITTING | 1 | -631359 | 1/8" - STRAIGHT |
| | JD7797 | LUBRICATION FITTING | 1 | 631360-640300 | 1/4" - STRAIGHT |
| | JD7788 | LUBRICATION FITTING | 1 | 640301-665375 | 1/4" - 45 DEGREE |
| 21 | H131948 | SPRING | 1 | -645300 | |
| | H146767 | COMPRESSION SPRING | 1 | 645301- | |
| 22 | 24M7178 | WASHER | 1 | | 10.500 X 30 X 2.500 MM |
| 23 | H125471 | ROD | 1 | | |

1C3

6076 ENGINE FAN DRIVE
HP8022 -UN-12NOV98



HP8022

1C4

ENGINE FAN, INTERCOOLER AND SCREENS

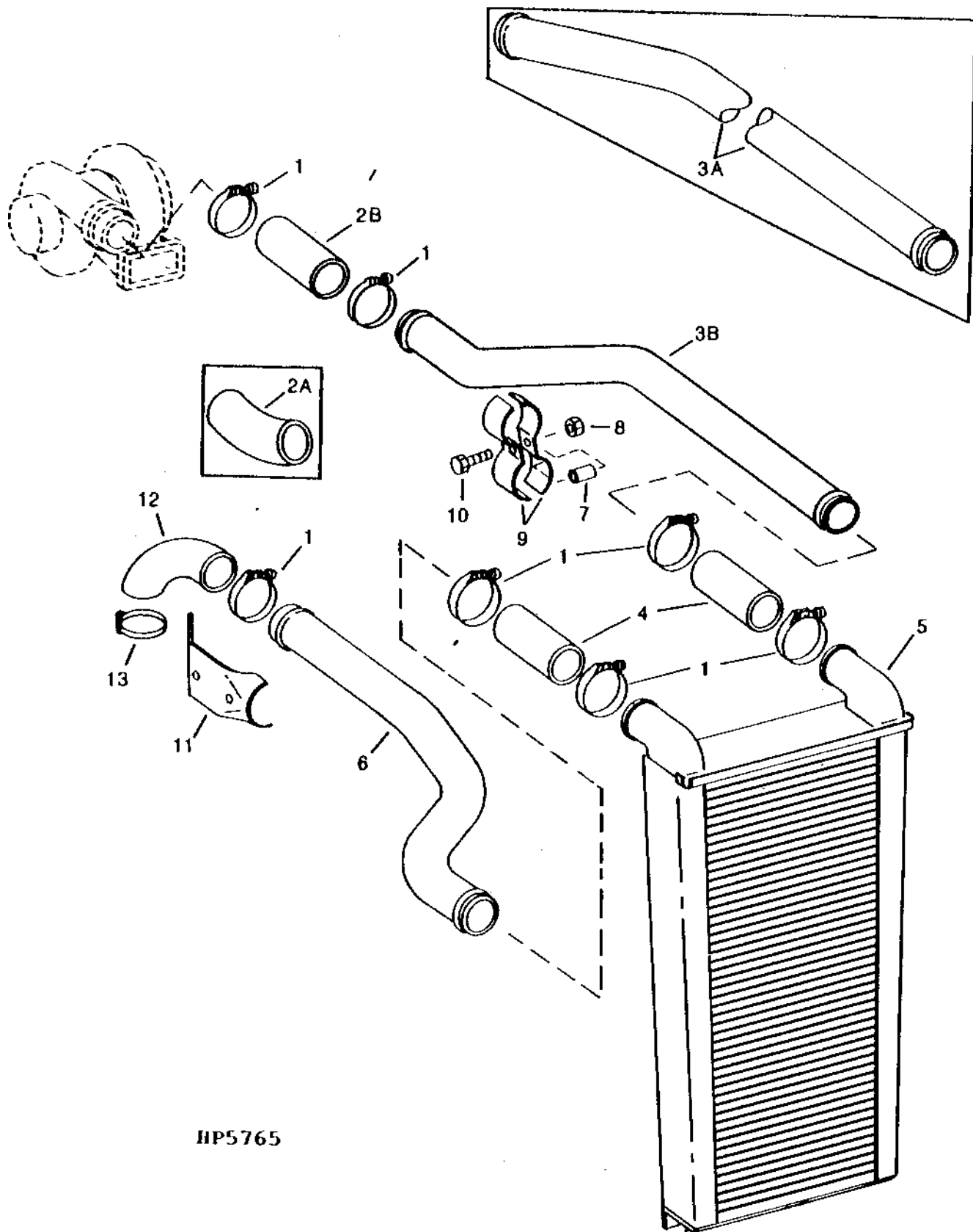
6076 ENGINE FAN DRIVE - CONTINUED

| KEY | PART NO. | PART NAME | QTY | SERIAL NO. | REMARKS |
|-----|----------|-------------------------|-----|---------------|---|
| 1 | 03M7184 | BOLT | 3 | | M8 X 20 |
| 2 | H125469 | SUPPORT | 1 | | |
| 3 | AE26118 | PRESSED FLANGED HOUSING | 1 | | |
| 4 | N52258 | PRESSED FLANGED HOUSING | 1 | | |
| 5 | AH156244 | BEARING | 1 | | (SUB FOR AH120819) |
| 6 | 26M6731 | SHAFT KEY | 1 | | |
| 7 | 14M7298 | FLANGE NUT | 3 | | M8 |
| 8 | A50744 | BOLT | 3 | | M8 X 25 |
| 9 | 14M7273 | NUT | 3 | | M8 |
| 10 | H129249 | SHEAVE | 1 | -640873 | (SUB AH139287) |
| | AH139287 | SPUR GEAR | 1 | 640874-645300 | (SUB AH140965 AND H146636) |
| | AH140965 | HALF SHEAVE | 1 | | FOR 215 HP ENGINE (REQUIRES H146636 BELOW S/N 645301) |
| | AH140966 | GEAR | 1 | 645301- | FOR 253 AND 260 HP ENGINES |
| 11 | 19M8162 | CAP SCREW | 3 | | M10 X 40 |
| 12 | AH130226 | DRIVE SHAFT | 1 | -645300 | |
| | AH137590 | DRIVE SHAFT | 1 | 645301- | |
| 13 | 14M7296 | FLANGE NUT | 3 | | M10 |
| 14 | 19M7785 | SCREW | 2 | | M10 X 25 |
| 15 | 19M7808 | SCREW | 3 | | M10 X 65 |
| 16 | AH118443 | DISK | 1 | | |
| 17 | AH80384 | ISOLATOR | 1 | | |
| 18 | AH124550 | DRIVE DISK | 1 | | |
| 19 | H123918 | SPACER | 3 | | |
| 20 | 14M7401 | LOCK NUT | 1 | | M12 |
| 21 | 19H2458 | CAP SCREW | 3 | | 3/8" X 3" |
| 22 | H134188 | SHEAVE | 1 | | |
| 23 | H133577 | BELT | 1 | -641921 | ENGINE CRANK TO ROTARY SCREEN JACKSHAFT |
| | H146637 | BELT | 1 | 641922-645300 | ENGINE CRANK TO ROTARY SCREEN JACKSHAFT |
| | H146636 | BELT | 1 | 645301- | ENGINE CRANK TO ROTARY SCREEN JACKSHAFT |
| 24 | H132808 | BELT | 1 | -645300 | (ENGINE FAN DRIVE SHAFT TO FAN) |
| | H153297 | BELT | 1 | 645301- | (SUB FOR AH140623) MATCHED SET OF TWO BELTS - FOR 253 AND 260 HP ENGINE (ENGINE FAN DRIVE SHAFT TO FAN) |
| 25 | H134437 | BELT | 1 | 630401-631200 | 12.700 X 1 470 MM (1/2" X 57.874") TO AIR CONDITIONING COMPRESSOR |
| | H81742 | BELT | 1 | 635301-647500 | 12.700 X 1 346.200 MM (1/2" X 53") TO AIR CONDITIONING COMPRESSOR |
| | H80896 | BELT | 1 | 650301- | 12.700 X 1 422.500 MM (1/2" X 56.004") |
| 26 | 24H1346 | WASHER | 1 | | |
| 27 | 24M7239 | WASHER | 1 | | |

1C5

ENGINE FAN, INTERCOOLER AND SCREENS

INTERCOOLER
HP5765 -UN-01JAN94



HP5765

1C6

ENGINE FAN, INTERCOOLER AND SCREENS

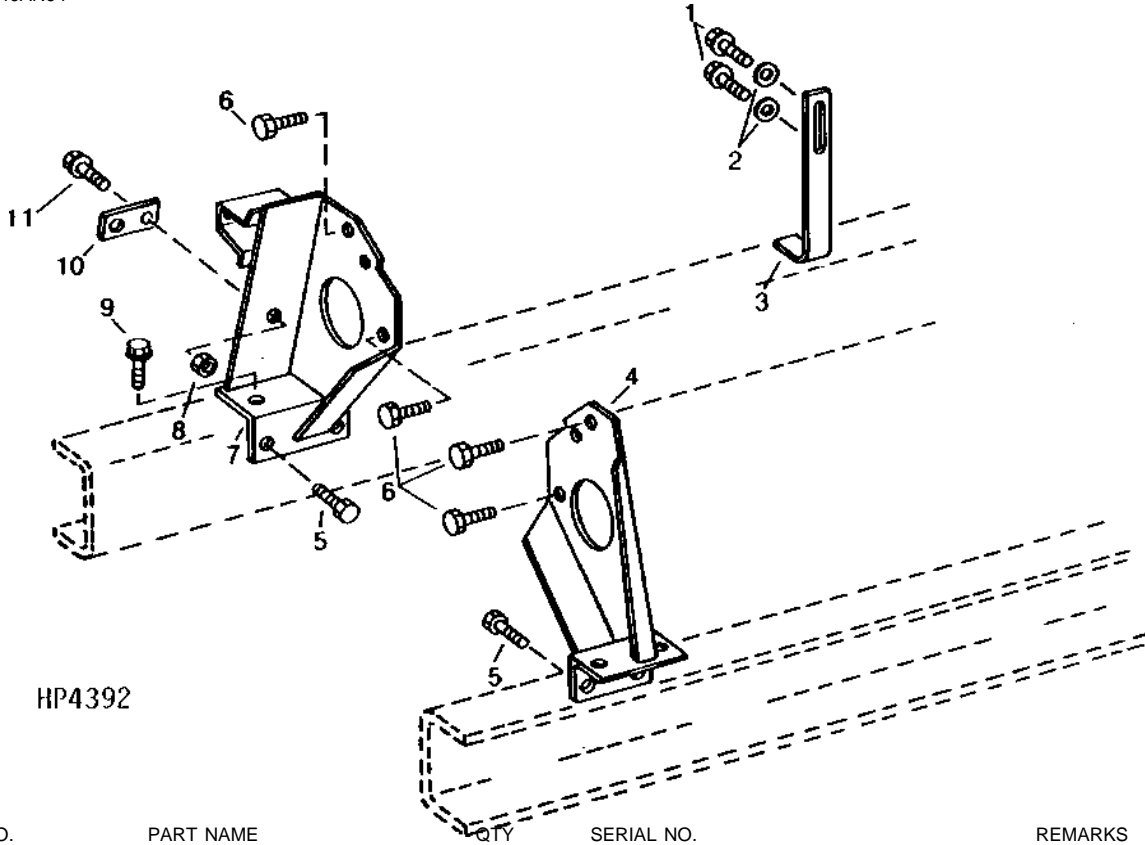
INTERCOOLER - CONTINUED

| KEY | PART NO. | PART NAME | QTY | SERIAL NO. | REMARKS |
|-----|----------|-------------|-----|------------|--|
| 1 | AT39141 | HOSE CLAMP | 7 | | |
| 2A | H133049 | HOSE | 1 | -655300 | (SUB H133051) |
| 2B | H133051 | HOSE | 1 | | |
| 3A | H133733 | TUBE | 1 | -655300 | (SUB H150022) |
| 3B | H150022 | TUBE | 1 | -666172 | |
| | H155109 | TUBE | 1 | | |
| 4 | H133051 | HOSE | 2 | | |
| 5 | AH151139 | AIR COOLER | 1 | | (USE WITH M84971) (SUB FOR AH136360 OR AH140474) LOW POWER |
| | AH140473 | AIR COOLER | 1 | | HI POWER |
| 6 | AH128884 | TUBE | 1 | | |
| | AH142097 | LINE | 1 | -666172 | |
| | AH148286 | TUBE | 1 | | |
| 7 | 28H1903 | BUSHING | 1 | | 0.364" X 0.540" X 3/4" |
| 8 | 14M7396 | LOCK NUT | 1 | | M8 |
| 9 | H133751 | CLAMP | 2 | | |
| 10 | 19M8317 | SCREW | 1 | | M8 X 40 |
| 11 | H135419 | HEAT SHIELD | 1 | -635243 | NOT REQUIRED WHEN USED WITH H140573 |
| 12 | H133532 | HOSE | 1 | -635243 | REQUIRED WHEN USED WITH H135419 |
| | H140573 | HOSE | 1 | 635244- | H135419 NOT REQUIRED |
| 13 | AT37476 | HOSE CLAMP | 1 | -641817 | |
| | RE37039 | CLAMP | 1 | 641818- | |

ENGINE MOUNTS AND REAR SUPPORT

(-640300)

HP4392 -UN-01JAN94



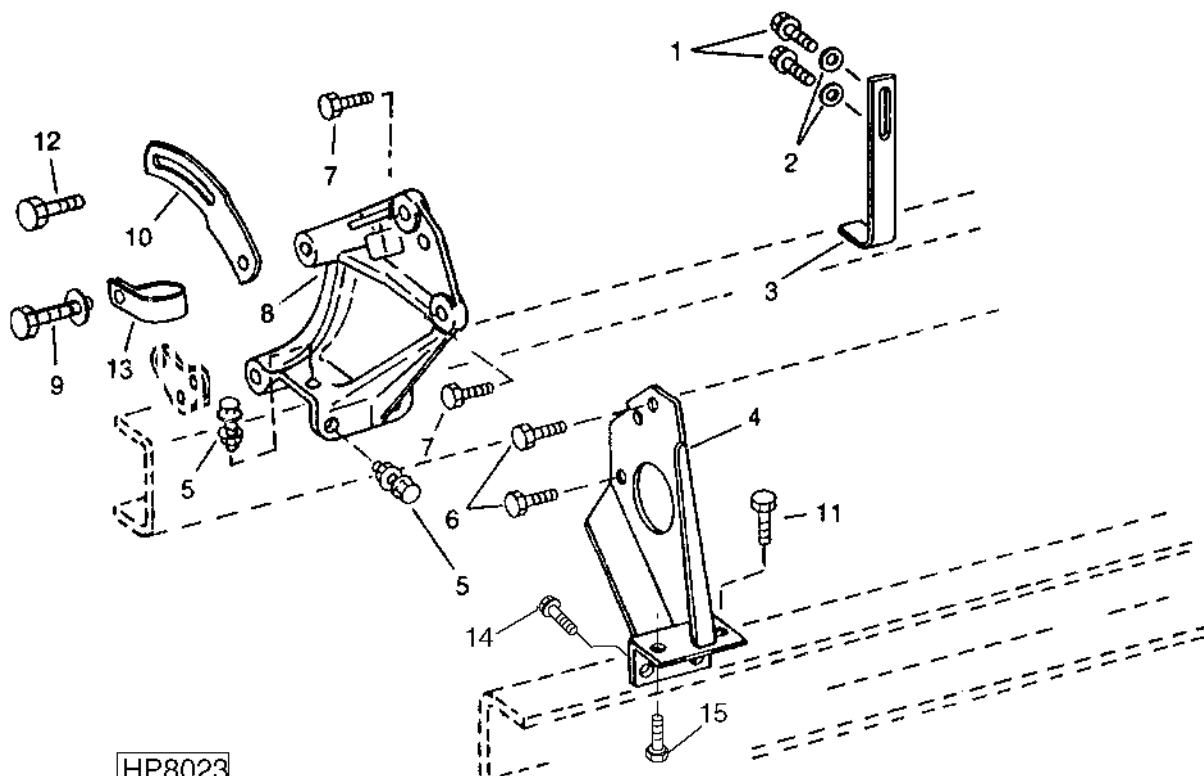
HP4392

| KEY | PART NO. | PART NAME | QTY | SERIAL NO. | REMARKS |
|-----|----------|------------|-----|------------|-------------------------|
| 1 | 19H1708 | CAP SCREW | 2 | | 5/8" X 1-3/4" |
| 2 | 24M7051 | WASHER | AR | | 21 X 37 X 3 MM |
| 3 | H134856 | BRACKET | 1 | | |
| 4 | AH148106 | SUPPORT | 1 | | (SUB FOR AH130507) L.H. |
| 5 | 19M7785 | SCREW | AR | | M10 X 25 |
| 6 | 19H1895 | CAP SCREW | AR | | 1/2" X 3/4" |
| 7 | AH130508 | SUPPORT | 1 | | R.H. |
| 8 | 14M7296 | FLANGE NUT | AR | | M10 |
| 9 | 19M7786 | SCREW | AR | | M10 X 30 |
| 10 | H128201 | PLATE | 1 | | |
| 11 | 19M7784 | SCREW | AR | | M10 X 20 |

ENGINE MOUNTS AND REAR SUPPORT

(640301-655524)

HP8023 -UN-04MAY99



HP8023

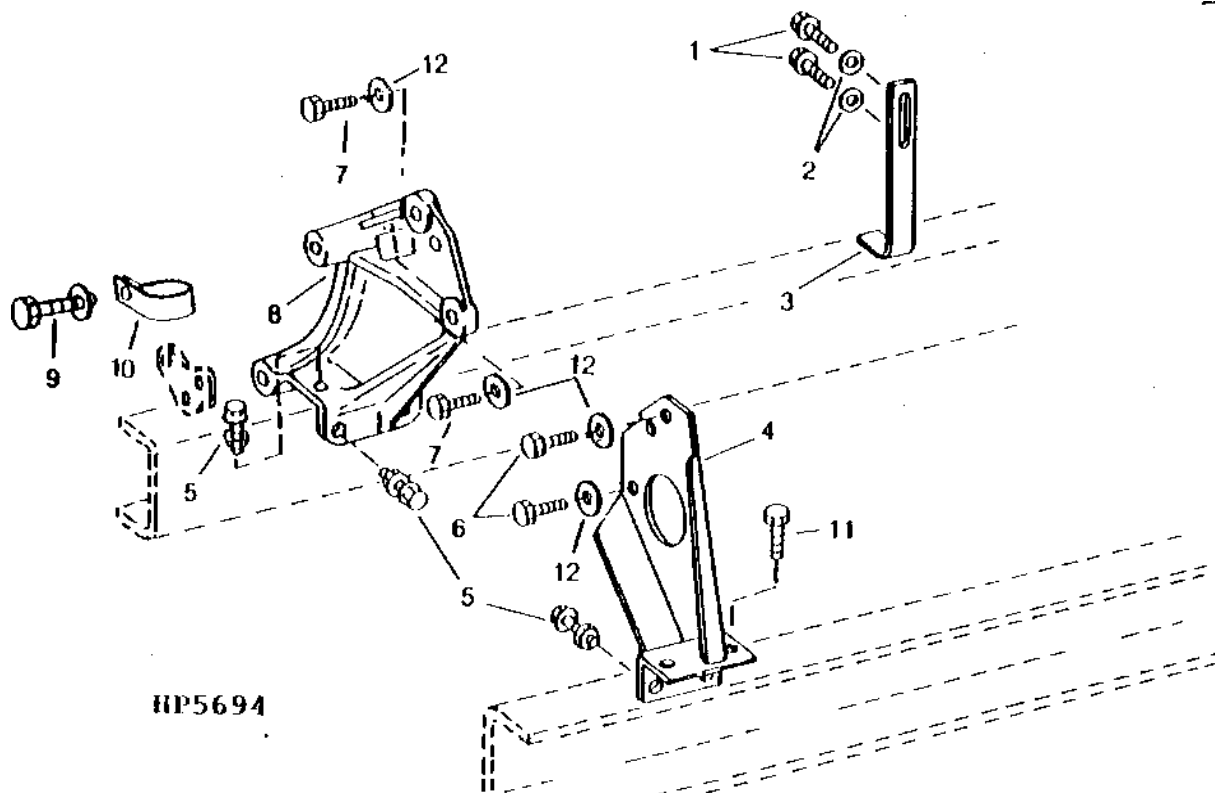
| KEY | PART NO. | PART NAME | QTY | SERIAL NO. | REMARKS |
|-----|----------|-----------------|-----|---------------|--------------------------------|
| 1 | 19H1708 | CAP SCREW | 2 | | 5/8" X 1-3/4" |
| 2 | 24M7051 | WASHER | 2 | | 21 X 37 X 3 MM |
| 3 | H134856 | BRACKET | 1 | | REAR |
| 4 | AH148106 | SUPPORT | 1 | | (SUB FOR AH130507) L.H. ENGINE |
| 5 | 19M7786 | SCREW | 6 | | M10 X 30 |
| | 14M7296 | FLANGE NUT | 8 | | M10 |
| 6 | 19H1895 | CAP SCREW | 2 | | 1/2" X 3/4" |
| 7 | 19H1815 | CAP SCREW | 2 | -641944 | 1/2" X 1-1/4" |
| | 19H2473 | CAP SCREW | 2 | 641945- | 1/2" X 1-3/4" |
| 8 | H143904 | SUPPORT | 1 | -641842 | R.H. (GRAIN) |
| | H140075 | SUPPORT | 1 | -641842 | R.H. (CORN & RICE STANDARD) |
| | H143761 | SUPPORT | 1 | 641843-650300 | |
| | H147115 | SUPPORT | 1 | 650301- | |
| 9 | 19M8007 | CAP SCREW | 1 | | M10 X 25 |
| | 24M7178 | WASHER | 1 | -650300 | 10.500 X 30 X 2.500 MM |
| 10 | H140076 | ADJUSTING STRAP | 1 | -650300 | |
| 11 | 19H1782 | CAP SCREW | 1 | | 3/4" X 2-1/4" |
| 12 | 19M7786 | SCREW | 1 | -650300 | M10 X 30 |
| 13 | H143757 | HOSE CLAMP | 1 | | |
| 14 | 19M7785 | SCREW | 1 | | |
| 15 | 19M7835 | SCREW | 1 | | |

1C9

ENGINE FAN, INTERCOOLER AND SCREENS

ENGINE MOUNTS AND REAR SUPPORT

(655525-)
 HP5694 -UN-01JAN94



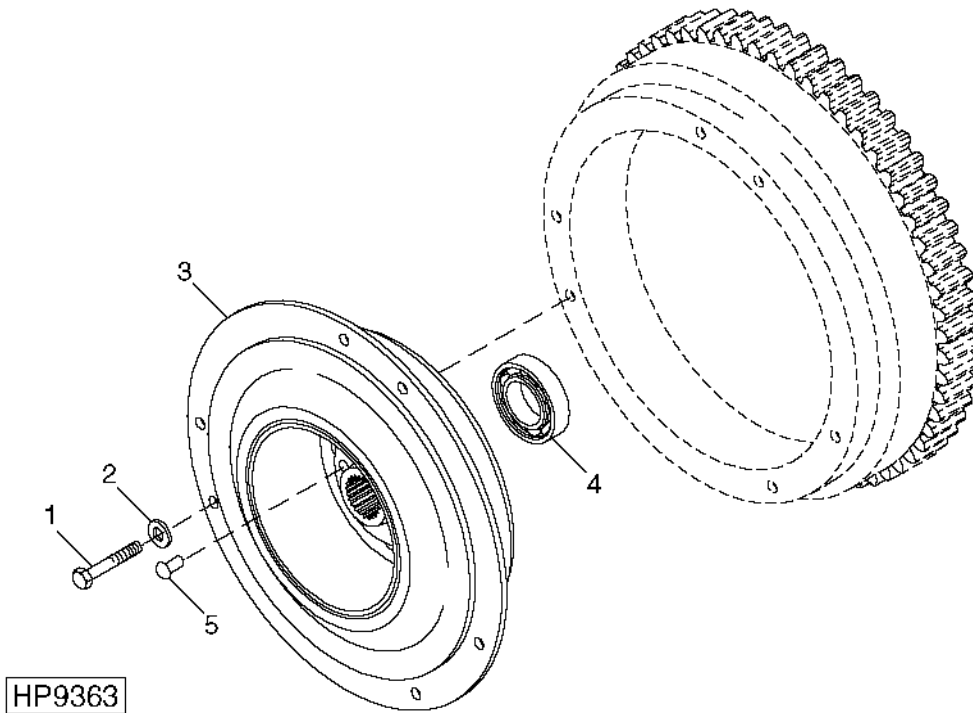
| KEY | PART NO. | PART NAME | QTY | SERIAL NO. | REMARKS |
|-----|----------|-------------|-----|------------|--------------------------------|
| 1 | 19H1708 | CAP SCREW | 2 | | 5/8" X 1-3/4" |
| 2 | 24M7051 | WASHER | 2 | | 21 X 37 X 3 MM |
| 3 | H134856 | BRACKET | 1 | | REAR |
| 4 | AH148106 | SUPPORT | 1 | | (SUB FOR AH130507) L.H. ENGINE |
| 5 | 19M7786 | SCREW | 8 | | M10 X 30 |
| | 14M7296 | FLANGE NUT | 8 | | M10 |
| 6 | 19H1792 | CAP SCREW | 2 | | 1/2" X 1" |
| 7 | 19H2473 | CAP SCREW | 2 | | 1/2" X 1-3/4" |
| 8 | H147115 | SUPPORT | 1 | | R.H. |
| 9 | 19M7167 | CAP SCREW | 1 | | M10 X 25 |
| 10 | H143757 | HOSE CLAMP | 1 | | |
| 11 | 19H1782 | CAP SCREW | 1 | | 3/4" X 2-1/4" |
| 12 | 12H301 | LOCK WASHER | 1 | | 12.700 MM (1/2") |

1C10

ENGINE FAN, INTERCOOLER AND SCREENS

ENGINE GEARCASE COUPLING WITH HUB

HP9363 -UN-02DEC99

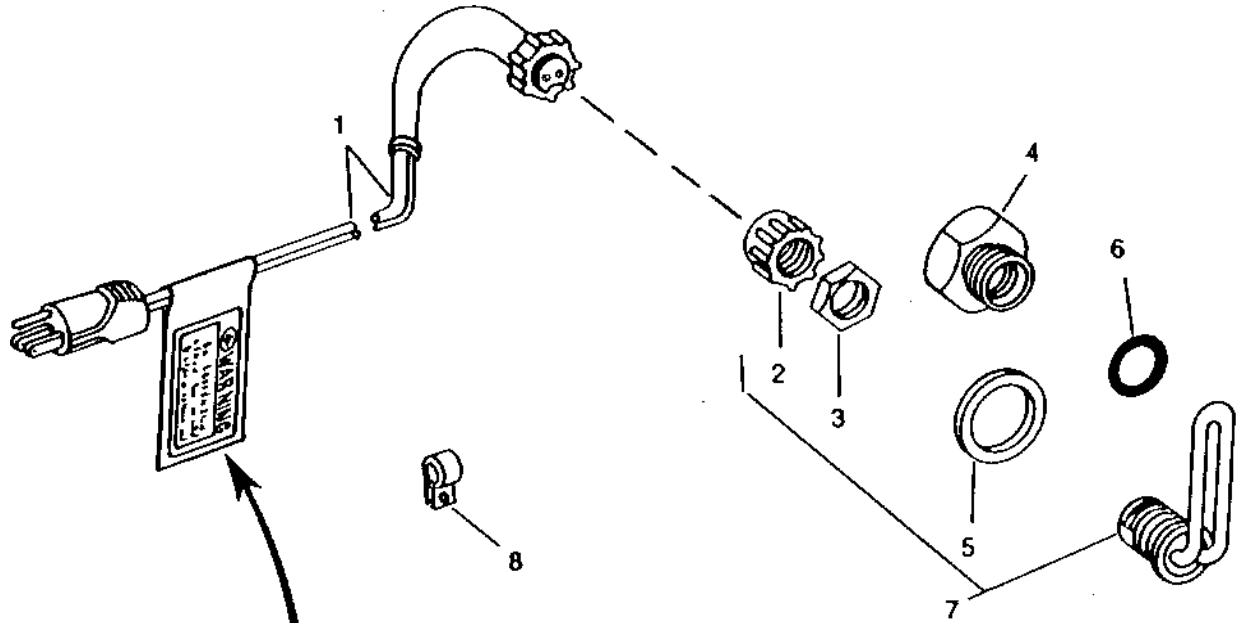


| KEY | PART NO. | PART NAME | QTY | SERIAL NO. | REMARKS |
|-----|----------|--------------|-----|----------------------------|---------|
| 1 | R57725 | SCREW | 6 | 9.525 X 25.400 MM | |
| 2 | R42729 | WASHER | 6 | 10.312 X 20.980 X 2.286 MM | |
| 3 | AH117782 | COUPLING | 1 | | |
| 4 | AR48751 | BALL BEARING | 1 | | |
| 5 | 16H1559 | RIVET | 6 | 7/16" X 1-1/4" | |

1C11

ENGINE FAN, INTERCOOLER AND SCREENS

ENGINE BLOCK COOLANT HEATER AND EXT. CORD
HP5231 -UN-01JAN94



⊕ WARNING

To prevent shock,
always use a grounded
3-wire extension cord

HP5231

1C12

ENGINE FAN, INTERCOOLER AND SCREENS

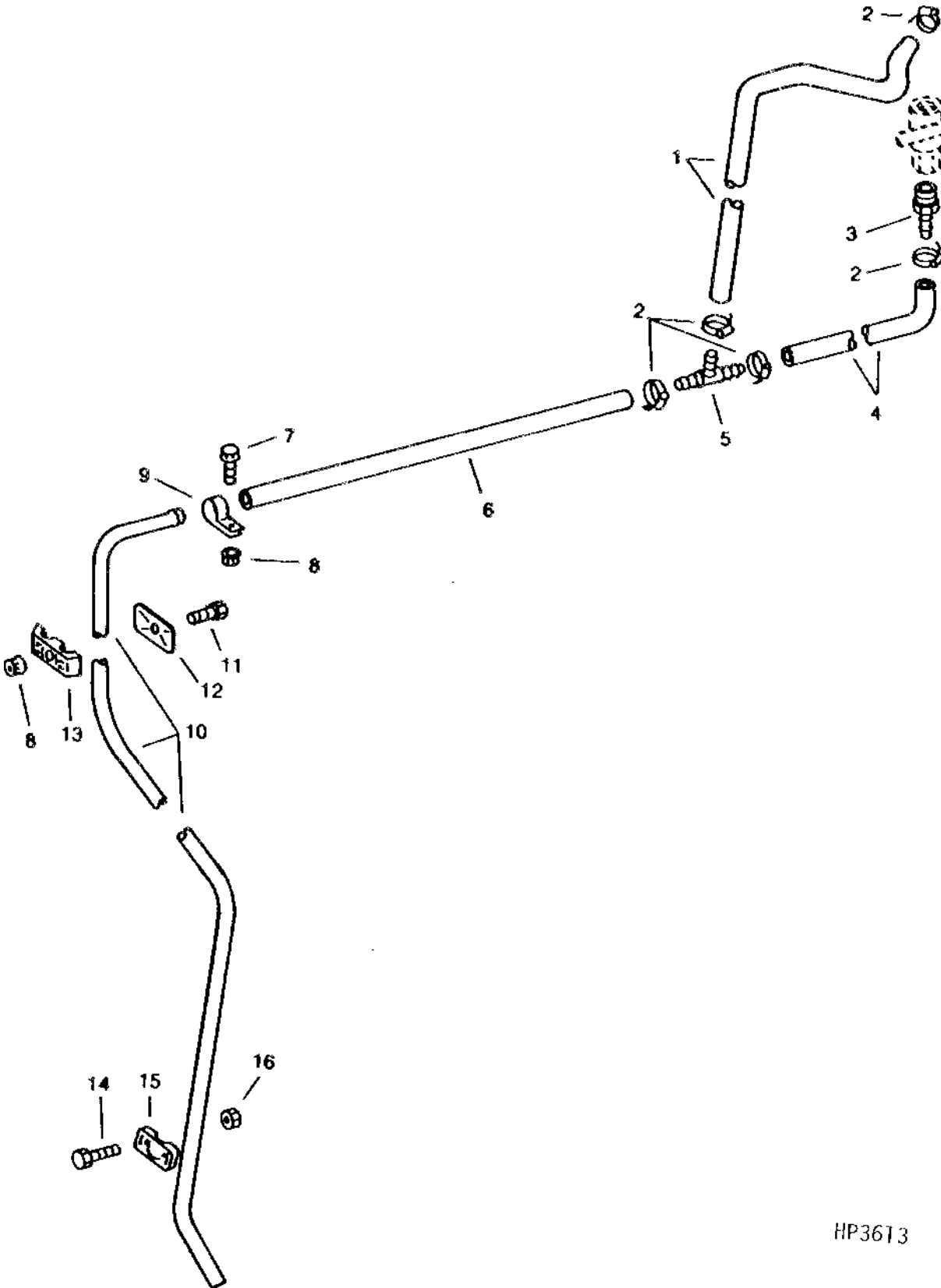
ENGINE BLOCK COOLANT HEATER AND EXT. CORD - CONTINUED

| KEY | PART NO. | PART NAME | QTY | SERIAL NO. | REMARKS |
|-----|----------|----------------|-----|------------|-------------------------------------|
| 1 | AT73296 | POWER CORD | 1 | | |
| 2 | R54510 | CAP | 1 | | (SUB RE504122) |
| 3 | R54511 | NUT | 1 | | 25.400 MM (1") (SUB RE504122) |
| 4 | R54123 | ADAPTER | 1 | | |
| 5 | R47693 | GASKET | 1 | | |
| 6 | U13639 | O-RING | 1 | | 37.465 X 2.997 MM (1.475" X 0.118") |
| 7 | RE504122 | COOLANT HEATER | 1 | | (SUB FOR AR62399) |
| 8 | H75541 | CLAMP | 1 | | |

1C13

ENGINE FAN, INTERCOOLER AND SCREENS

ENGINE CRANKCASE OIL DRAIN
HP3613 -UN-01JAN94



HP3613

1C14

ENGINE FAN, INTERCOOLER AND SCREENS

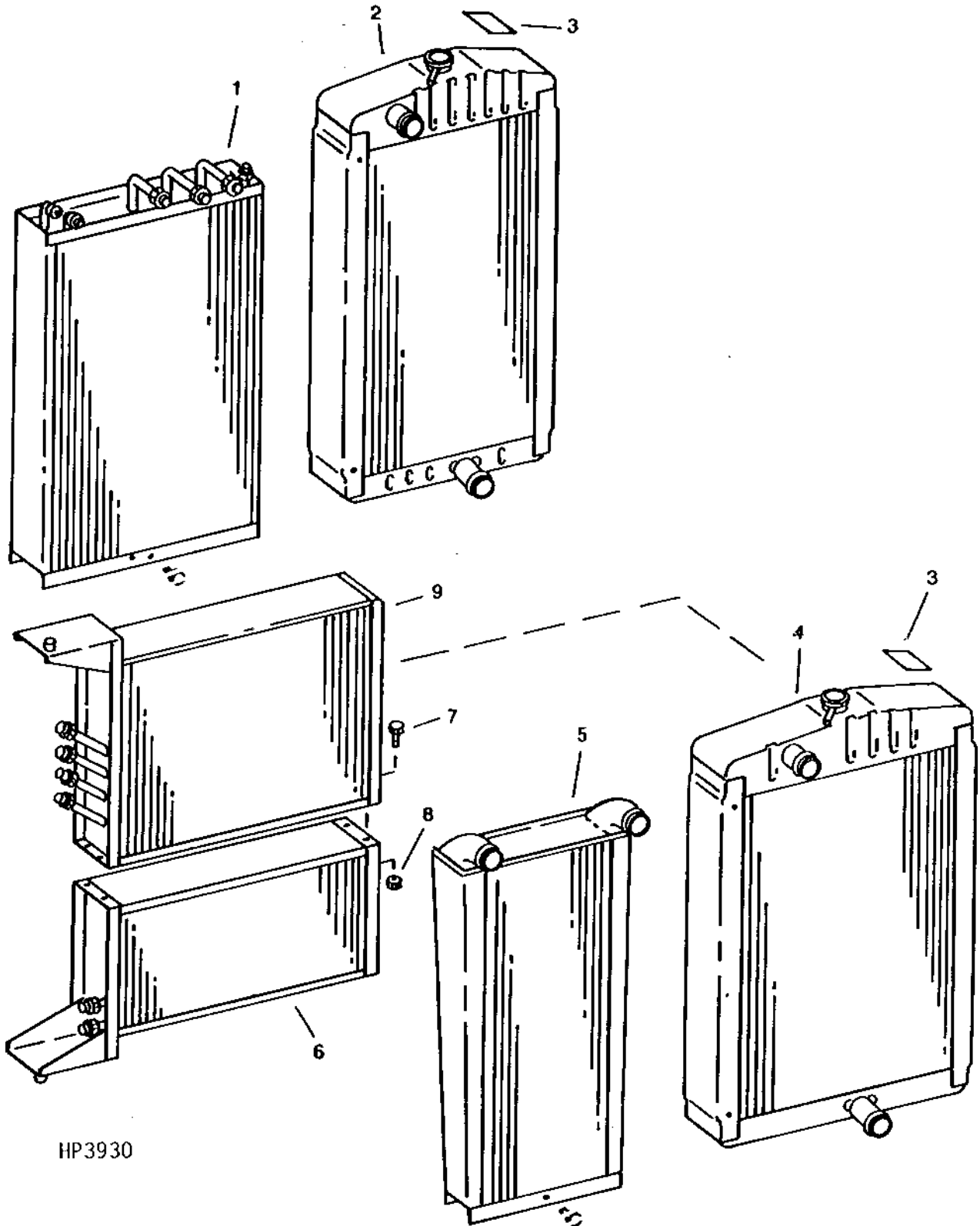
ENGINE CRANKCASE OIL DRAIN - CONTINUED

| KEY | PART NO. | PART NAME | QTY | SERIAL NO. | REMARKS |
|-----|----------|--------------|-----|------------|------------------------------|
| 1 | H130016 | HOSE | 1 | | |
| 2 | AT18904 | CLAMP | 5 | | |
| 3 | A27238 | HOSE FITTING | 1 | | |
| 4 | TY22424 | HOSE | 1 | | (SUB FOR H130017) |
| 5 | A24915 | TEE FITTING | 1 | | |
| 6 | H114433 | HOSE | 1 | | |
| 7 | 19M7867 | SCREW | 1 | | M8 X 25 |
| 8 | 14M7298 | FLANGE NUT | 1 | | M8 |
| 9 | T70694 | CLAMP | 1 | | |
| 10 | H134389 | OIL LINE | 1 | -645307 | |
| | H161155 | TUBE | 1 | | (SUB FOR H145003 OR H150433) |
| 11 | 19M7801 | SCREW | 1 | | M8 X 60 |
| 12 | H112567 | PLATE | 2 | | |
| 13 | H114897 | CLAMP | 2 | | |
| 14 | 03M7280 | BOLT | 2 | | M6 X 45 |
| 15 | H114432 | CLAMP | 2 | | |
| 16 | 14M7303 | FLANGE NUT | 2 | | M6 |

1C15

ENGINE FAN, INTERCOOLER AND SCREENS

RADIATOR WITH OIL COOLER, A/C CONDENSER AND AIR INTERCOOLER
HP3930 -UN-01JAN94



HP3930

1C16

ENGINE FAN, INTERCOOLER AND SCREENS

RADIATOR WITH OIL COOLER, A/C CONDENSER AND AIR INTERCOOLER- CONTINUED

| KEY | PART NO. | PART NAME | QTY | SERIAL NO. | REMARKS |
|-----|----------|-----------------|-----|------------|---|
| 1 | AH150219 | OIL COOLER | 1 | 670000- | (SUB FOR AH120836 OR AH136172) COMBINATION OIL COOLER AND CONDENSER |
| 2 | AH137544 | RADIATOR | 1 | | (SUB FOR AH128258) |
| 3 | H169344 | DECAL | 1 | | (SUB FOR A2913R) PRESSURE COOLING SYSTEM |
| 4 | AH128257 | RADIATOR | 1 | -640300 | |
| | AH138940 | RADIATOR | 1 | 640301- | (SUB FOR AH133223) 5 1/2 FPI |
| | H88769 | ISOLATOR | 1 | 642113- | (SUB FOR H145454) 4 FPI |
| | AH144719 | RADIATOR | 1 | 656882- | |
| 5 | H88769 | ISOLATOR | 1 | | (SUB FOR H140121) |
| | AH149229 | AFTERCOOLER | 1 | | (ORDER AT37476 AND H152403) (SUB FOR AH140473) |
| | AH151139 | AIR COOLER | 1 | | (SUB FOR AH136360 OR AH140474) |
| 6 | AH149618 | VAPOR CONDENSER | 1 | | (SUB FOR AH115321 OR AH140471) EVAPORATOR |
| 7 | 19M7774 | SCREW | 4 | | M6 X 12 |
| 8 | 14M7303 | FLANGE NUT | 4 | | M6 |
| 9 | AH140472 | OIL COOLER | 1 | | (SUB FOR AH120854) |
| | AH149588 | VAPOR CONDENSER | 1 | | (SUB FOR AH145232) |

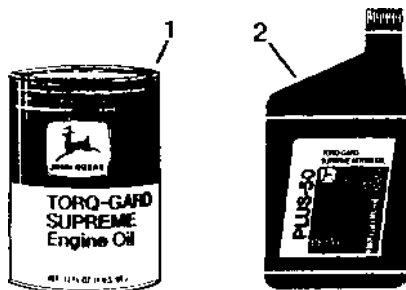
MEMORANDA

1D8

6076 ENGINE (ENGINE SERIAL NUMBER -499999)

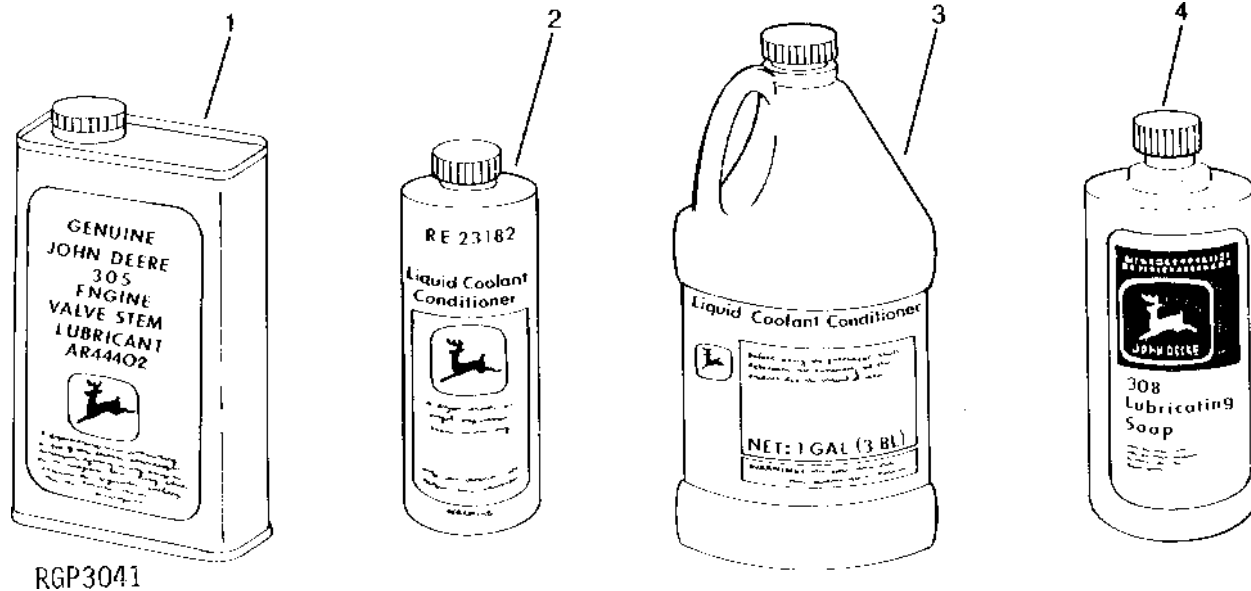
TORQ-GARD SUPREME AND PLUS-50 ENGINE OIL

RGP3291 -UN-01JAN94



RGP 3291

| KEY | PART NO. | PART NAME | QTY | ENGINE SERIAL NO. | REMARKS |
|-----|----------|-----------|-----|--|---------|
| 1 | TY22064 | OIL | 1 | (SAE 5W/30), 0.9L (1 QT) | |
| | TY22065 | OIL | 1 | (SAE 5W/30), 19L (5 GAL) | |
| | TY22066 | OIL | 1 | (SAE 5W/30), 208L (55 GAL) | |
| | TY6364 | OIL | 1 | (SAE 10W/30), 0.9L (1 QT) (BREAKIN) | |
| | TY22067 | OIL | 1 | (SAE 10W), .9L (1 GAL) | |
| | TY22068 | OIL | 1 | (SAE 10W), 19L (5 GAL) | |
| | TY22069 | OIL | 1 | (SAE 10W), 208L (55 GAL) | |
| | TY22070 | OIL | 1 | (SAE 30W), 0.9L (1 GAL) | |
| | TY22073 | OIL | 1 | (SAE 30W), 19L (5 GAL) | |
| | TY6280 | OIL | 1 | (SAE 30W), 114L (30 GAL) | |
| | TY22074 | OIL | 1 | (SAE 30W), 208L (55 GAL) | |
| | 2 TY6389 | OIL | 1 | (SAE 15W/40), 0.9 L (1 QT) | |
| | TY22008 | OIL | 1 | (SAE 15W/40), 3.8 L (1 GAL) | |
| | TY6390 | OIL | 1 | (SAE 15W/40), 19 L (5 GAL) | |
| | TY22010 | OIL | 1 | (SAE 15W/40), 113.6 L (30 GAL) | |
| | TY6391 | OIL | 1 | (SAE 15W/40), 208 L (55 GAL) | |
| | TY6392 | OIL | 1 | (SAE 30W), 0.9 L (1 QT) | |
| | TY22007 | OIL | 1 | (SAE 30W), 3.8 L (1 GAL) | |
| | TY6393 | OIL | 1 | (SAE 30W), 19 L (5 GAL) | |
| | TY22011 | OIL | 1 | (SAE 30W), 113.6 L (30 GAL) | |
| | TY6394 | OIL | 1 | (SAE 30W), 208 L (55 GAL) | |
| .. | TY22041 | OIL | 1 | (SAE 10W/30), 3.8 L (1 GAL) (BREAKIN) | |
| .. | TY22042 | OIL | 1 | (SAE 10W/30), 208 L (55 GAL) (BREAKIN) | |

ACCESSORY PARTS
 RGP3041 -UN-01JAN94


RGP3041

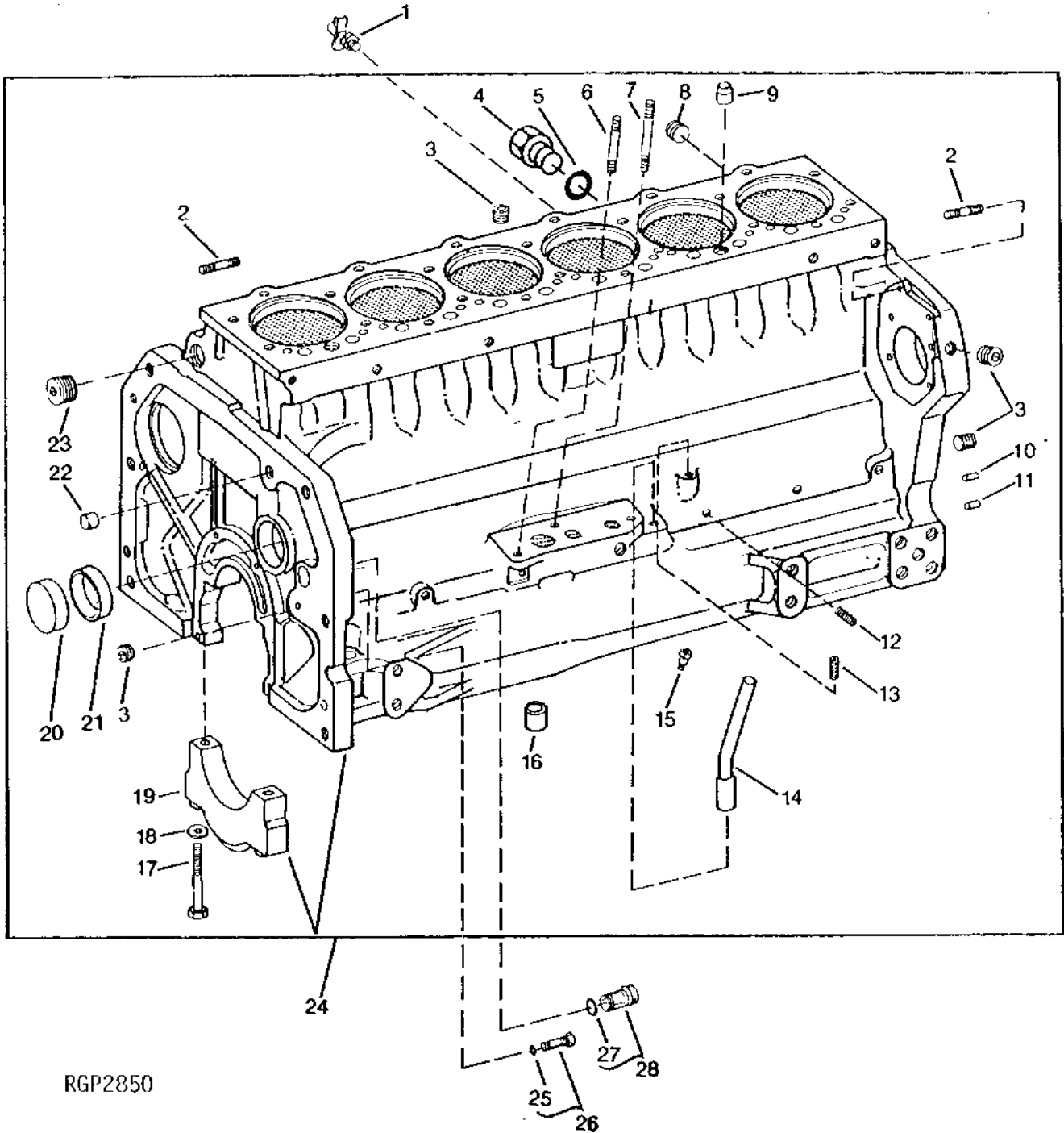
| KEY | PART NO. | PART NAME | QTY | TRACTOR SERIAL NO. | REMARKS |
|-----|----------|----------------------------|-----|--------------------|---------------------------------------|
| 1 | AR44402 | OIL | 1 | | 0.9 L (1 QT) |
| 2 | TY16004 | ENGINE COOLANT CONDITIONER | 1 | | 0.472 L (16 OZ) |
| 3 | TY16005 | ENGINE COOLANT CONDITIONER | 1 | | 3.8 L (1 GAL) |
| 4 | AR54749 | LUBRICANT | 1 | | 0.9 L (1 QT) |
| .. | AT66865 | LUBRICANT | 1 | | (ELECTRICAL CONNECTIONS) |
| .. | AR41785 | KIT | 1 | | 0.9 L (1 QT) |
| .. | AR21969 | KIT | 1 | | (CAP PLUG) |
| .. | DS0251 | KIT | 1 | | (COOLANT SCAN TEST) |
| .. | IPSKIT1 | KIT | 1 | | (OIL SCAN TEST) |
| .. | DS0557 | VALVE | 1 | | (SAMPLING SYSTEM) |
| .. | TY16423 | INDICATOR | 1 | | (COOLANT EYE - FILL OR FLUSHING PORT) |

MEMORANDA

1D10

6076 ENGINE (ENGINE SERIAL NUMBER -499999)

CYLINDER BLOCK
(ENGINE SERIAL NO. -499999)
(WITHOUT HEAD BOLTS)
RGP2850 -UN-01JAN94



1D11

6076 ENGINE (ENGINE SERIAL NUMBER -499999)

CYLINDER BLOCK - CONTINUED
(ENGINE SERIAL NO. -499999)
(WITHOUT HEAD BOLTS)

| KEY | PART NO. | PART NAME | QTY | ENGINE SERIAL NO. | REMARKS |
|-----|----------|----------------|-----|-------------------|--|
| 1 | AT13740 | DRAIN VALVE | 1 | | |
| 2 | R114130 | STUD | 5 | | (SUB FOR R55396, APPL) |
| 3 | 15H624 | PIPE PLUG | 4 | | 1/2" |
| 4 | R39741 | DRAIN PLUG | 1 | | |
| 5 | U13639 | O-RING | 1 | | |
| 6 | R106859 | STUD | 1 | | (SUB FOR F3646R OR R26622) |
| 7 | R55395 | STUD | 1 | | |
| 8 | 15H690 | PIPE PLUG | 1 | | 3/4" |
| 9 | R42340 | BUSHING | 2 | | |
| 10 | R1612R | DOWEL PIN | 2 | | (WATER PUMP - NOT INSTALLED) |
| | R71583 | DOWEL PIN | 2 | | (WATER PUMP - NOT INSTALLED) (USE WITH R87570 ONLY) |
| 11 | F1743R | DOWEL PIN | 2 | | |
| 12 | R104592 | PIPE PLUG | 6 | | |
| 13 | R21630 | PIPE PLUG | 1 | | |
| 14 | AR71850 | DIPSTICK TUBE | 1 | | (HRW01 - NOT APPLICABLE) |
| 15 | R43621 | ORIFICE | 6 | | |
| 16 | R62930 | BUSHING | 2 | | |
| 17 | R42365 | BOLT | 14 | | |
| 18 | R70268 | WASHER | 14 | | |
| 19 | R57158 | BEARING CAP | 6 | | (MAIN) |
| | R57159 | BEARING CAP | 1 | | (THRUST) |
| 20 | R82007 | CAP | 1 | | |
| 21 | R87561 | BUSHING | 4 | | |
| 22 | R61288 | DOWEL PIN | 1 | | |
| 23 | 15H686 | PIPE PLUG | 1 | | 1" |
| 24 | RE30091 | CYLINDER BLOCK | 1 | -158801 | (A) (MARKED R88380) (SUB RE65055) |
| | RE47108 | CYLINDER BLOCK | 1 | 158802-XXXXXX | (A) (MARKED R109780) (SUB RE65055) |
| | RE60396 | CYLINDER BLOCK | 1 | XXXXXX- | (A) (MARKED R122730) (SUB RE65055) |
| | RE29498 | CYLINDER BLOCK | 1 | -158801 | (B) (MARKED R88379) (SUB RE65057) |
| | RE47106 | CYLINDER BLOCK | 1 | 158802-XXXXXX | (B) (MARKED R109777) (SUB RE65057) |
| | RE60408 | CYLINDER BLOCK | 1 | XXXXXX- | (B) (MARKED R122729) (SUB RE65057) |
| 25 | A4365R | O-RING | 1 | | |
| 26 | AR61589 | PLUG | 1 | | |
| 27 | R27149 | O-RING | 1 | | |
| 28 | AR61533 | PLUG | 1 | | |
| .. | H79910 | DOWEL PIN | 2 | | (REAR FLANGE - TH001,HH001,HH003, OR HH004) (NOT INCLUDED) |

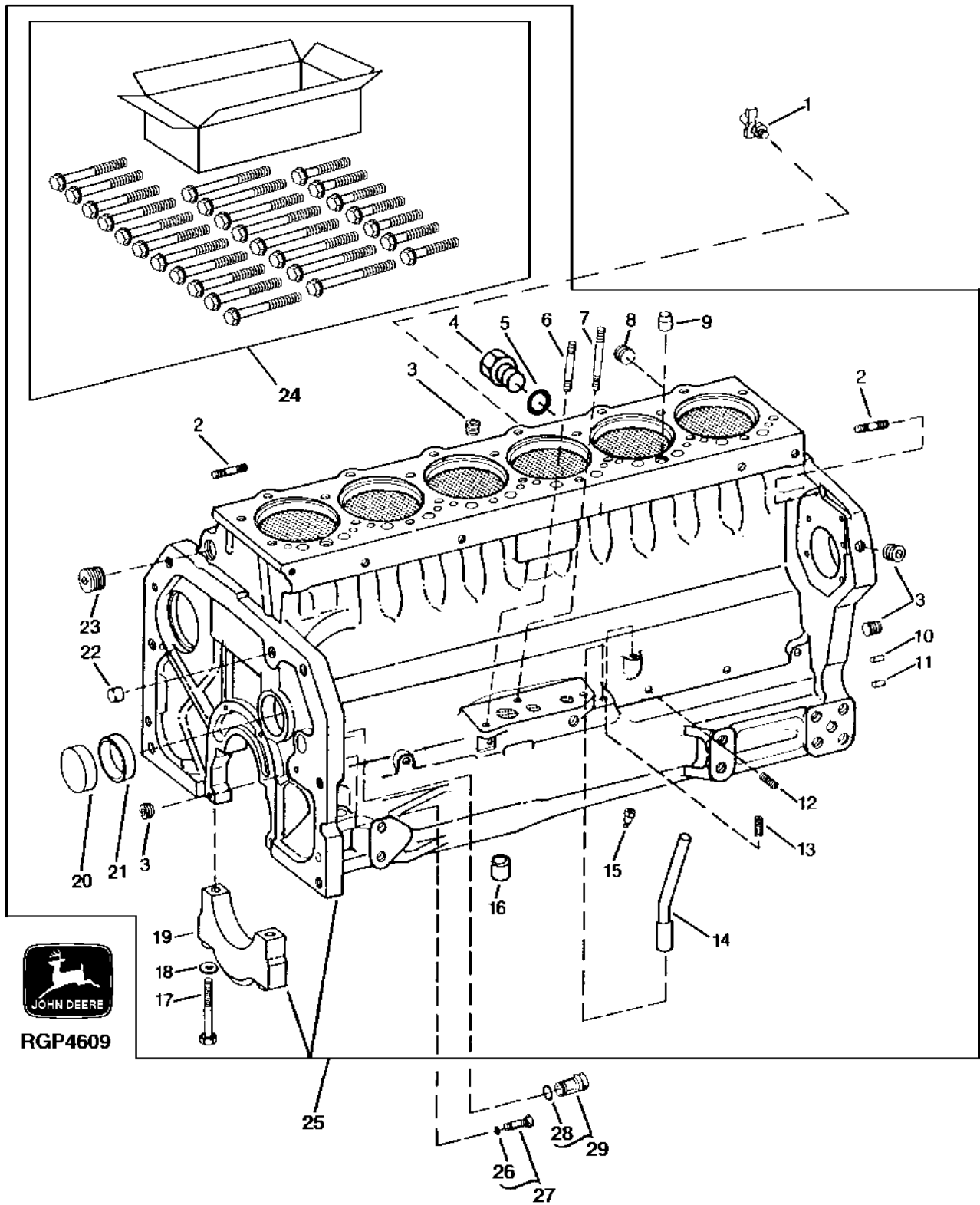
(A) 6076HH001, HH004
 (B) 6076TH001, HH003

1D12

6076 ENGINE (ENGINE SERIAL NUMBER -499999)

CYLINDER BLOCK FITTINGS AND MAIN BEARING CAPS (WITH HEAD BOLTS)

(ENGINE SERIAL NO. -499999)
RGP4609 -UN-30NOV95



1D13

6076 ENGINE (ENGINE SERIAL NUMBER -499999)

**CYLINDER BLOCK, FITTINGS AND MAIN BEARING CAPS - CONTINUED
(WITH HEAD BOLTS)
(ENGINE SERIAL NO. -499999)**

| KEY | PART NO. | PART NAME | QTY | ENGINE SERIAL NO. | REMARKS |
|-----|----------|----------------|-----|-------------------|---|
| 1 | AT13740 | DRAIN VALVE | 1 | | |
| 2 | R114130 | STUD | 5 | | (SUB FOR R55396, APPL) |
| 3 | 15H624 | PIPE PLUG | 4 | | 1/2" |
| 4 | R39741 | DRAIN PLUG | 1 | | |
| 5 | U13639 | O-RING | 1 | | |
| 6 | R106859 | STUD | 1 | | (SUB FOR F3646R OR R26622) |
| 7 | R55395 | STUD | 1 | | |
| 8 | 15H690 | PIPE PLUG | 1 | | 3/4" |
| 9 | R42340 | BUSHING | 2 | | |
| 10 | R1612R | DOWEL PIN | 4 | | |
| 11 | F1743R | DOWEL PIN | 2 | | |
| 12 | R104592 | PIPE PLUG | 7 | | |
| 13 | R21630 | PIPE PLUG | 1 | | |
| 14 | AR71850 | DIPSTICK TUBE | 1 | | |
| 15 | R43621 | ORIFICE | 6 | | |
| 16 | R62930 | BUSHING | 2 | | |
| 17 | R42365 | BOLT | 14 | | |
| 18 | R70268 | WASHER | 14 | | |
| 19 | R57158 | BEARING CAP | 6 | | (MAIN) |
| | R57159 | BEARING CAP | 1 | | (THRUST) |
| 20 | R82007 | CAP | 1 | | |
| 21 | R87561 | BUSHING | 4 | | |
| 22 | R61288 | DOWEL PIN | 1 | | |
| 23 | 15H686 | PIPE PLUG | 1 | | 1" |
| 24 | RG24025 | KIT | 1 | | |
| 25 | RE65055 | CYLINDER BLOCK | 1 | | (A) (MARKED R122730) (INCLUDES (26) "SPECIAL" HEAD BOLTS) |
| | RE65057 | CYLINDER BLOCK | 1 | | (B) (MARKED R122729) (INCLUDES (26) "SPECIAL" HEAD BOLTS) |
| 26 | A4365R | O-RING | 1 | | |
| 27 | AR61589 | PLUG | 1 | | |
| 28 | R27149 | O-RING | 1 | | |
| 29 | AR61533 | PLUG | 1 | | |

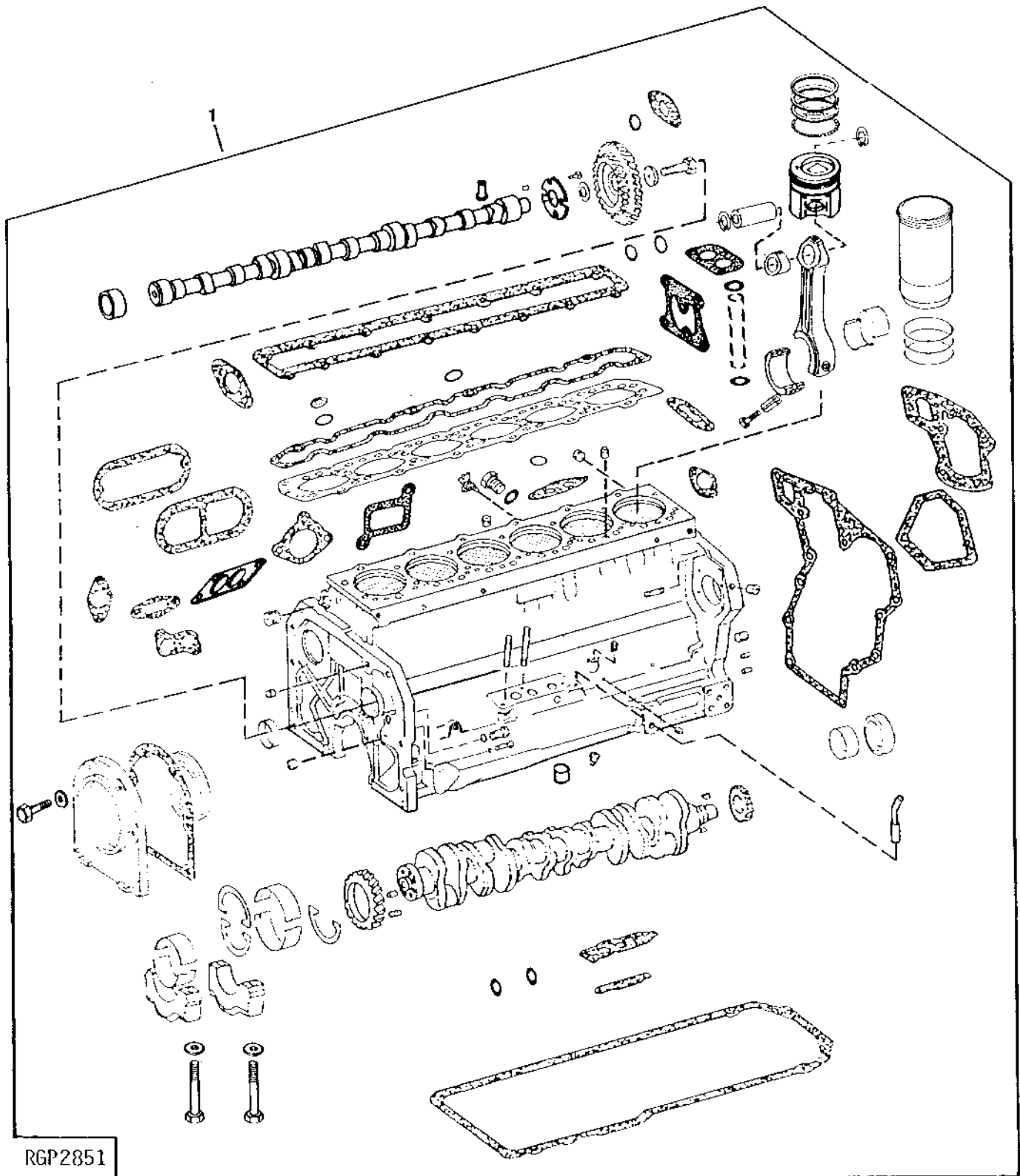
(A) 6076HH001, HH004

(B) 6076TH001, HH003

1D14

6076 ENGINE (ENGINE SERIAL NUMBER -499999)

ENGINE SHORT BLOCK
(ENGINE SERIAL NO. -499999)
(6076HH001 - OPT. HP) (6076TH001 - STD. HP - EARLY DESIGN)
(WITHOUT HEAD BOLTS)
RGP2851 -UN-01JAN94



1D15

6076 ENGINE (ENGINE SERIAL NUMBER -499999)

ENGINE SHORT BLOCK - CONTINUED
(ENGINE SERIAL NO. -499999)
(6076HH001 - OPT. HP) (6076TH001 - STD. HP - EARLY DESIGN)
(WITHOUT HEAD BOLTS)

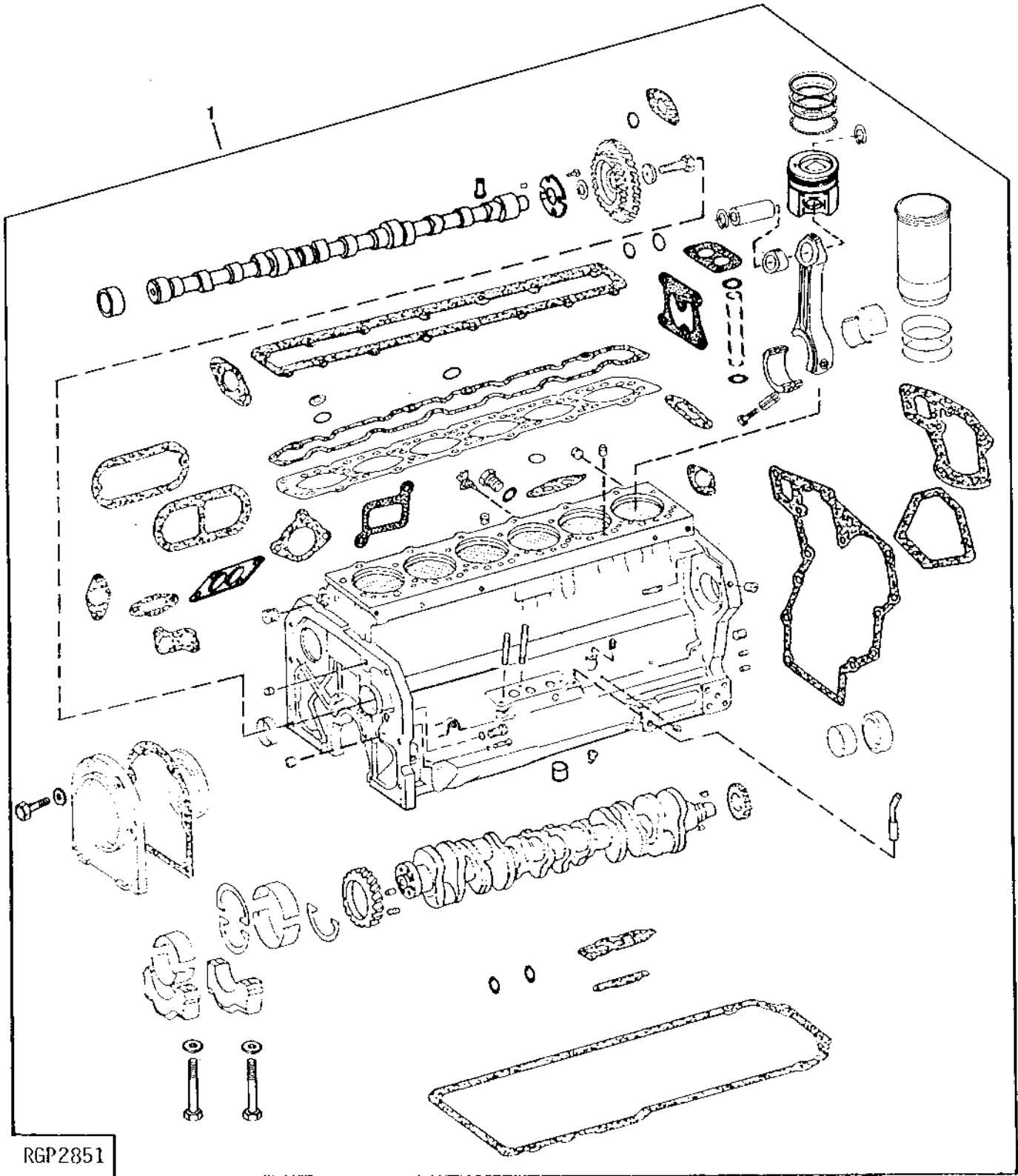
| KEY | PART NO. | PART NAME | QTY | ENGINE SERIAL NO. | REMARKS |
|-----|----------|----------------------|-----|-------------------|---|
| 1 | RE35643 | SHORT BLOCK ASSEMBLY | 1 | -158801 | (A) (D) (MARKED R88380) (SUB RE65060) (USE WITH R87544) |
| | RE49831 | SHORT BLOCK ASSEMBLY | 1 | 158802-XXXXXX | (A) (D) (MARKED R109780) (SUB RE65060) (USE WITH RE53201 AND R116311) |
| | RE53446 | SHORT BLOCK ASSEMBLY | 1 | | (A) (D) (MARKED R109780) (SUB RE65060) (USE WITH RE53201 AND R116311) |
| | RE56715 | SHORT BLOCK ASSEMBLY | 1 | | (A) (D) (MARKED R109780) (SUB RE65060) (USE WITH R53201 AND R116311) |
| | RE58459 | SHORT BLOCK ASSEMBLY | 1 | | (A) (D) (MARKED R109780) (SUB RE65060) (USE WITH RE53201 AND R116311) |
| | RE60419 | SHORT BLOCK ASSEMBLY | 1 | | (A) (D) (MARKED R122730) (USE WITH RE53201 AND R116311) (SUB RE65060) |
| | RE36024 | SHORT BLOCK ASSEMBLY | 1 | -158801 | (B) (C) (MARKED R88379) (SUB RE65059) (USE WITH R87544) |
| | RE50589 | SHORT BLOCK ASSEMBLY | 1 | 158802-XXXXXX | (B) (C) (MARKED R109777) (SUB RE65059) (USE WITH R87544) |
| | RE53426 | SHORT BLOCK ASSEMBLY | 1 | | (B) (C) (MARKED R109777) (SUB RE65059) (USE WITH RE53201 AND R116311) |
| | RE58458 | SHORT BLOCK ASSEMBLY | 1 | | (B) (C) (MARKED R109777) (SUB RE65059) (USE WITH RE53201 AND R116311) |
| | RE60410 | SHORT BLOCK ASSEMBLY | 1 | | (B) (C) (MARKED R122729) (USE WITH RE53201 AND R116311) (SUB RE65059) |

- (A) 6076HH001 (9600 OPT. HP)
- (B) 6076TH001 (9600 STD. HP EARLY DESIGN ENGINE)
- (C) 85 MM INJECTION PUMP BORE
- (D) 95 MM INJECTION PUMP BORE

1D16

6076 ENGINE (ENGINE SERIAL NUMBER -499999)

ENGINE SHORT BLOCK (WITHOUT HEAD BOLTS)
(6076HH003 - 215 HP) (STD. HP - LATE DESIGN)
(ENGINE SERIAL NO. -499999)
RGP2851 -UN-01JAN94



1D17

6076 ENGINE (ENGINE SERIAL NUMBER -499999)

ENGINE SHORT BLOCK (WITHOUT HEAD BOLTS) - CONTINUED
(6076HH003 - 215 HP) (STD. HP - LATE DESIGN)
(ENGINE SERIAL NO. -499999)

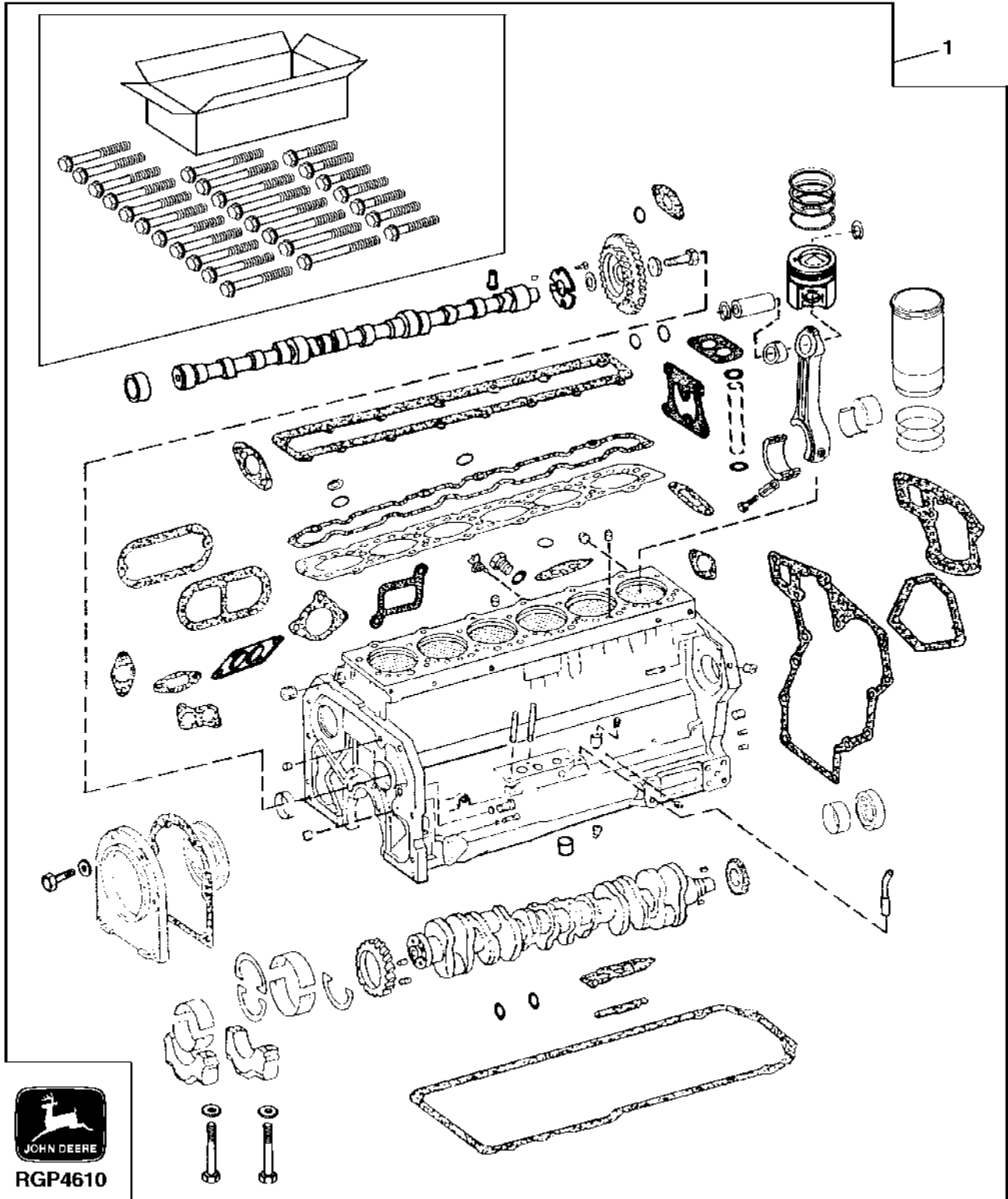
| KEY | PART NO. | PART NAME | QTY | ENGINE SERIAL NO. | REMARKS |
|-----|----------|----------------------|-----|-------------------|---|
| 1 | RE29499 | SHORT BLOCK ASSEMBLY | 1 | -158801 | (MARKED R88379) (SUB RE65058) (USE WITH R63451 OR RE42675) |
| | RE47107 | SHORT BLOCK ASSEMBLY | 1 | 158802- | (MARKED R109777) (SUB RE65058) (USE WITH R63451 OR RE42675) |
| | RE53465 | SHORT BLOCK ASSEMBLY | 1 | | (MARKED R109777) (SUB RE65058) (USE WITH RE53203 AND R116311) |
| | RE58457 | SHORT BLOCK ASSEMBLY | 1 | | (MARKED R109777) (SUB RE65058) (USE WITH RE53203 AND R116311) |
| | RE60409 | SHORT BLOCK ASSEMBLY | 1 | | (MARKED R122729) (USE WITH RE53203 AND R116311) (SUB RE65058) |

(A) ALSO ORDER (11) R121320, (8) R121321, (7) R121322 WITH RE60409

1D18

6076 ENGINE (ENGINE SERIAL NUMBER -499999)

**ENGINE SHORT BLOCK
(WITH HEAD BOLTS)**
RGP4610 -UN-30NOV95



1D19

6076 ENGINE (ENGINE SERIAL NUMBER -499999)

ENGINE SHORT BLOCK - CONTINUED (WITH HEAD BOLTS)

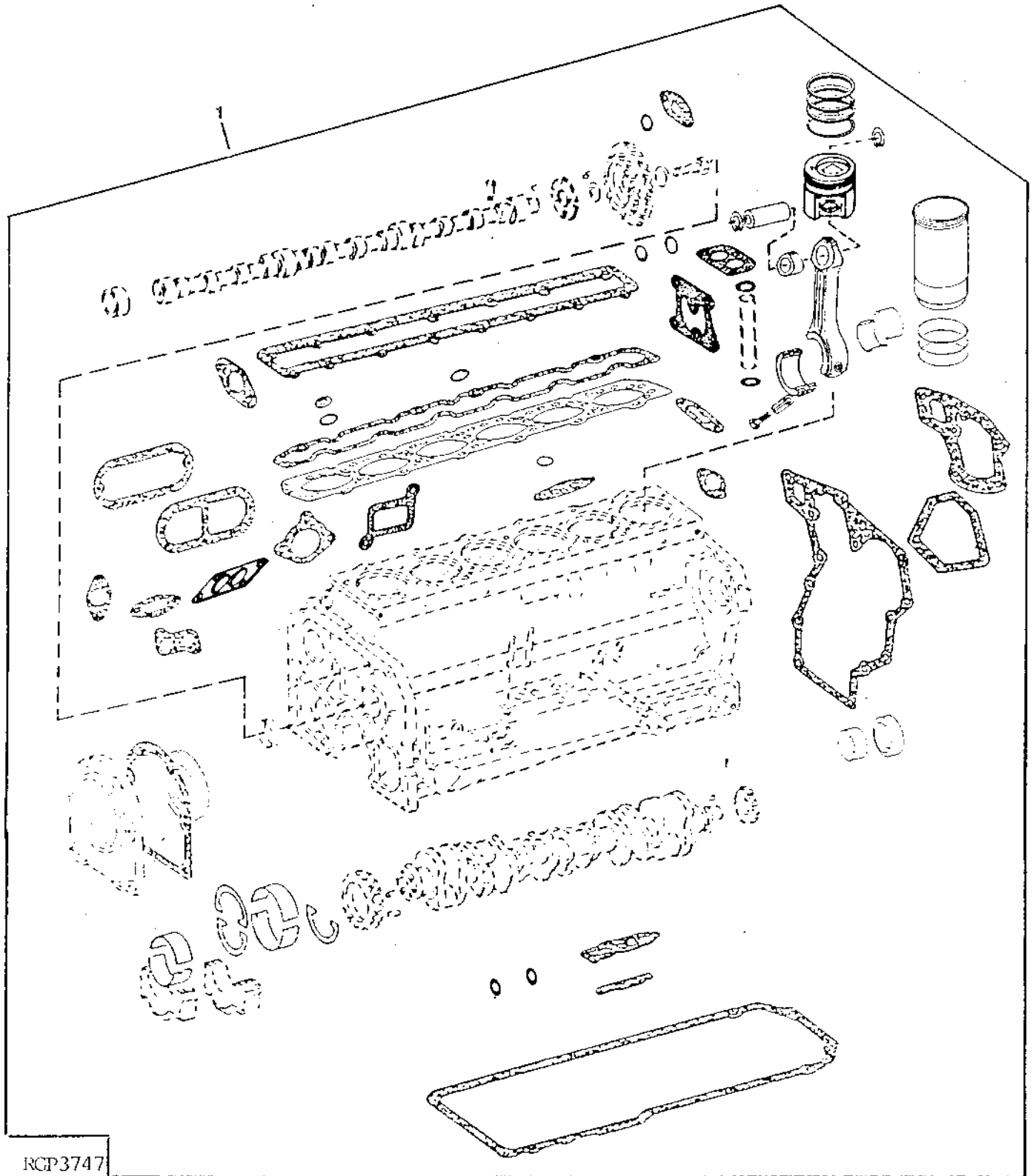
| KEY | PART NO. | PART NAME | QTY | ENGINE SERIAL NO. | REMARKS |
|-----|----------|----------------------|-----|--------------------------|--------------------------------------|
| 1 | RE65060 | SHORT BLOCK ASSEMBLY | 1 | (A) (D) (MARKED R122730) | (INCLUDES (26) "SPECIAL" HEAD BOLTS) |
| | RE65059 | SHORT BLOCK ASSEMBLY | 1 | (B) (C) (MARKED R122729) | (INCLUDES (26) "SPECIAL" HEAD BOLTS) |
| | RE65058 | SHORT BLOCK ASSEMBLY | 1 | (E) (C) (MARKED R122729) | (INCLUDES (26) "SPECIAL" HEAD BOLTS) |

- (A) 6076HH001 (9600 OPT EG. HP)
- (B) 6076TH001 (9600 STD HP EARLY DESIGN ENGINE)
- (C) 85 MM INJECTION PUMP BORE
- (D) 95 MM INJECTION PUMP BORE
- (E) 6076HH003 - 215 HP (STD. HP - LATE DESIGN)

1D20

6076 ENGINE (ENGINE SERIAL NUMBER -499999)

ENGINE OVERHAUL KIT(S) (STD/US BEARINGS OR EXPANDED)
(ENGINE SERIAL NO. -499999)
RGP3747 -UN-01JAN94



1D21

6076 ENGINE (ENGINE SERIAL NUMBER -499999)

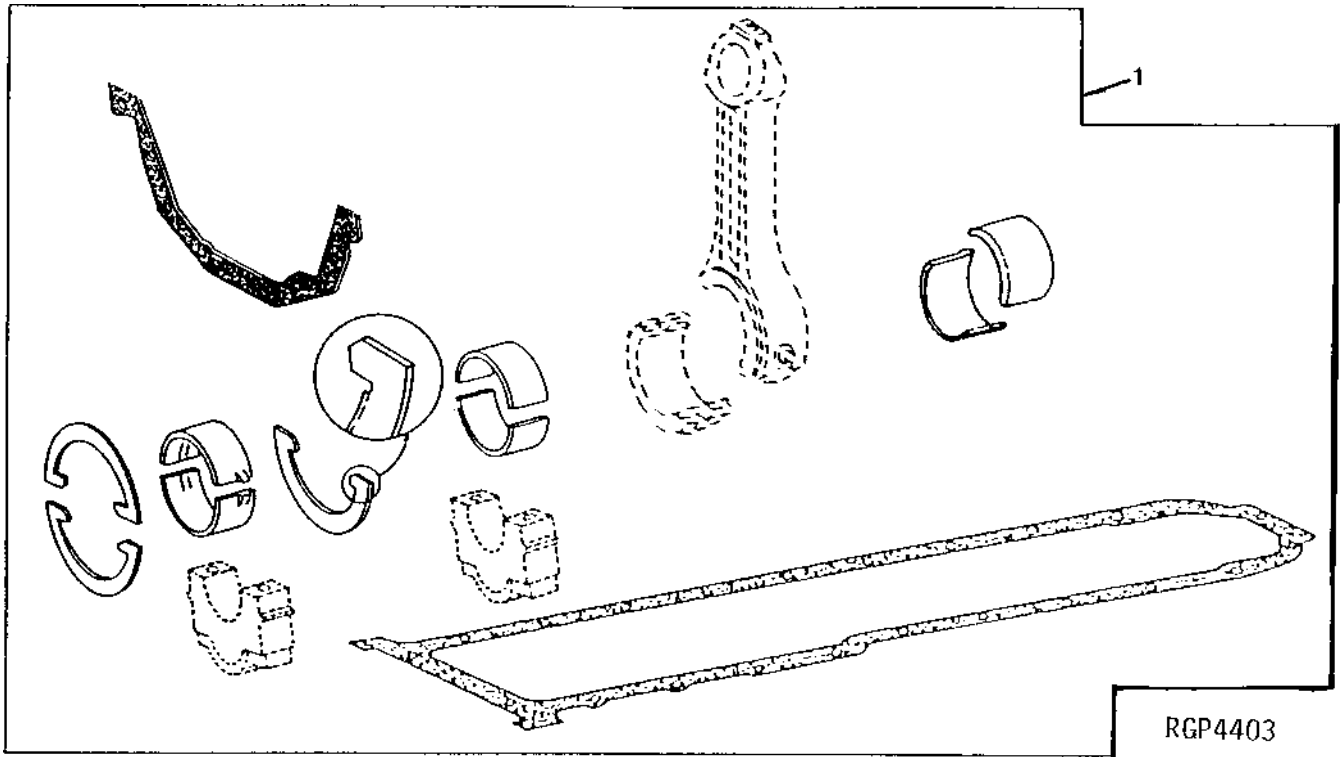
ENGINE OVERHAUL KIT(S) (STD/US BEARINGS OR EXPANDED) - CONTINUED
(ENGINE SERIAL NO. -499999)

| KEY | PART NO. | PART NAME | QTY | ENGINE SERIAL NO. | REMARKS |
|-----|----------|---------------------|-----|-------------------|--|
| 1 | RG20846 | ENGINE OVERHAUL KIT | 1 | -193860 | (CONTAINS (6) RE48739 PISTON LINERS, GASKET KIT, STD BEARINGS, FRONT AND REAR SEALS) (SUB RE60295, APPL) |
| | RG22797 | ENGINE OVERHAUL KIT | 1 | 193861- | (CONTAINS (6) RE57513 PISTON LINERS, GASKET KIT, STD BEARINGS, FRONT AND REAR SEALS) (SUB RE60295) |
| | RE60295 | ENGINE OVERHAUL KIT | 1 | | (CONTAINS (6) RE60294 PISTON LINERS, GASKET KIT, STD BEARINGS, FRONT/REAR SEALS AND SNAP RINGS) (SUB FOR RG20846 OR RG22797) (SUB RG27912) |
| | RG27912 | ENGINE OVERHAUL KIT | 1 | 17DEC7- | (NOT AS SHOWN) (EXPANDED -STD BEARING KIT) (CONTAINS RE60295 PARTS, (12) R66452, (6) R74008, (6) R57771 AND (4) R87561) |
| | RE66778 | ENGINE OVERHAUL KIT | 1 | | |
| | RE66780 | ENGINE OVERHAUL KIT | 1 | | (SUB RG27918) (NOT AS SHOWN)(EXPANDED .010" US BRGS KIT) (CONTAINS (6) RE60294, (6) AR73279, (6) AR74816, AR77750, AR77753, RE35647, AR49025, RE22764, (12) E1343FN, (12) R66452, (6) R74008, (6) R57771 AND (4) R87561) |
| | RG27918 | ENGINE OVERHAUL KIT | 1 | 5JAN98- | |

1D22

6076 ENGINE (ENGINE SERIAL NUMBER -499999)

ENGINE UNDERHAUL KIT
RGP4403 -UN-14DEC94



| KEY | PART NO. | PART NAME | QTY | ENGINE SERIAL NO. | REMARKS |
|-----|----------|-----------|-----|-------------------|--|
| 1 | RG23426 | KIT | 1 | | (INCLUDES STD BEARINGS, OIL PAN GASKET, AND SPLIT GASKETS) |

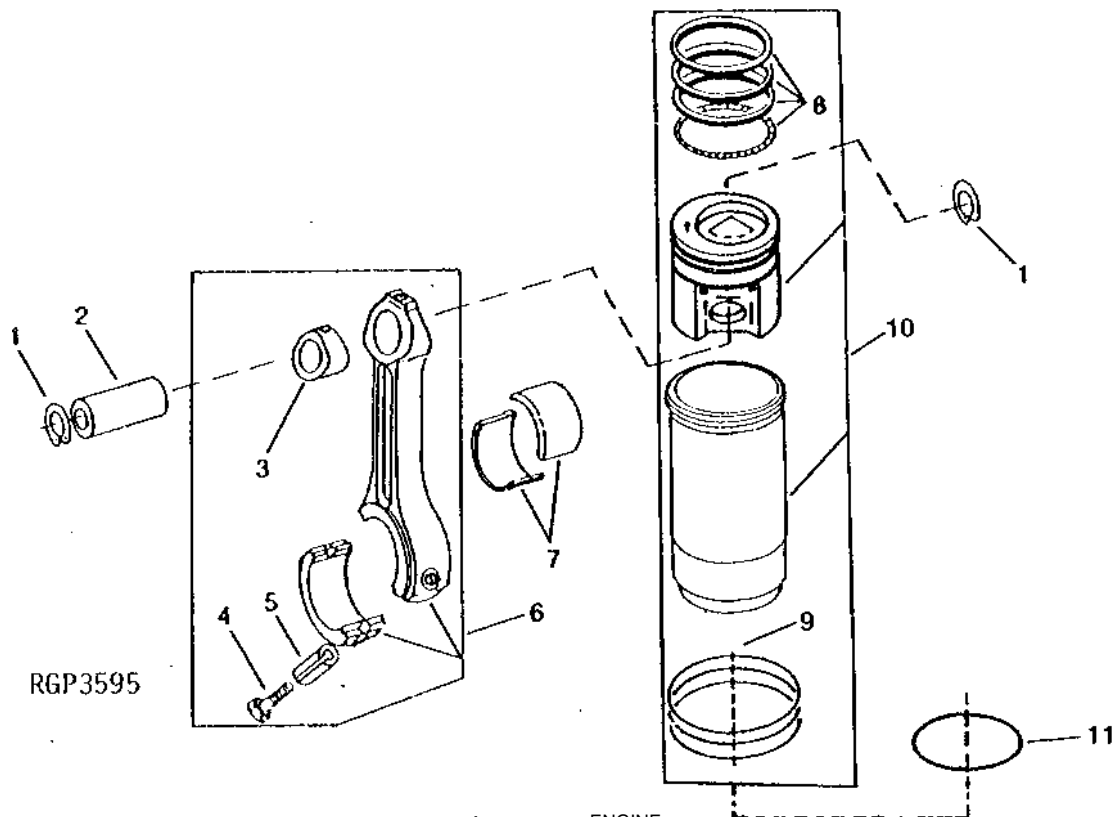
1D23

6076 ENGINE (ENGINE SERIAL NUMBER -499999)

PISTON, RINGS, LINERS AND CONNECTING RODS

(ENGINE SERIAL NO. -499999)

RGP3595 -UN-01JAN94



| KEY | PART NO. | PART NAME | QTY | ENGINE SERIAL NO. | REMARKS |
|-----|----------|----------------|-----|-------------------|---|
| 1 | E1343FN | SNAP RING | 12 | | |
| 2 | R57771 | PISTON PIN | 6 | | |
| 3 | R74008 | BUSHING | 6 | | |
| 4 | R66452 | CAP SCREW | 12 | | |
| 5 | R53292 | SLEEVE | 12 | | |
| 6 | AR93341 | CONNECTING ROD | 6 | | |
| 7 | AR73277 | BEARING | AR | | (MARKED R71074) |
| | AR73278 | BEARING | AR | | STD (PKG (2) R57583) |
| | AR73279 | BEARING | AR | | 0.05MM (.002") US (PKG (2) R60485) |
| | AR73280 | BEARING | AR | | 0.25MM (.010") US (PKG (2) R60486) |
| | AR73281 | BEARING | AR | | 0.51MM (.020") US (PKG (2) R60487) |
| | AR73281 | BEARING | AR | | 0.76MM (.030") US (PKG (2) R60488) |
| 8 | RE48380 | PISTON RING | 6 | -193860 | (SUB FOR RE27012 OR AR73627) (USE WITH RE25652 OR RE50868) |
| | RE57517 | PISTON RING | 6 | 193861- | (USE WITH RE57512) |
| 9 | AR98850 | KIT | 6 | | |
| 10 | RE48739 | KIT | 6 | -193860 | (A) (MARKED RE25652 OR RE50868) (SUB FOR RE25254) (SUB RE60294, APPL) |
| | RE57513 | KIT | 6 | 193861-XXXXXX | (A) (MARKED RE57512) (SUB RE60294) |
| | RE60294 | KIT | 6 | XXXXXX- | (A) (MARKED RE57512) |
| 11 | R93948 | SHIM | 2 | | (A) 0.05MM (.002") (MAX) |

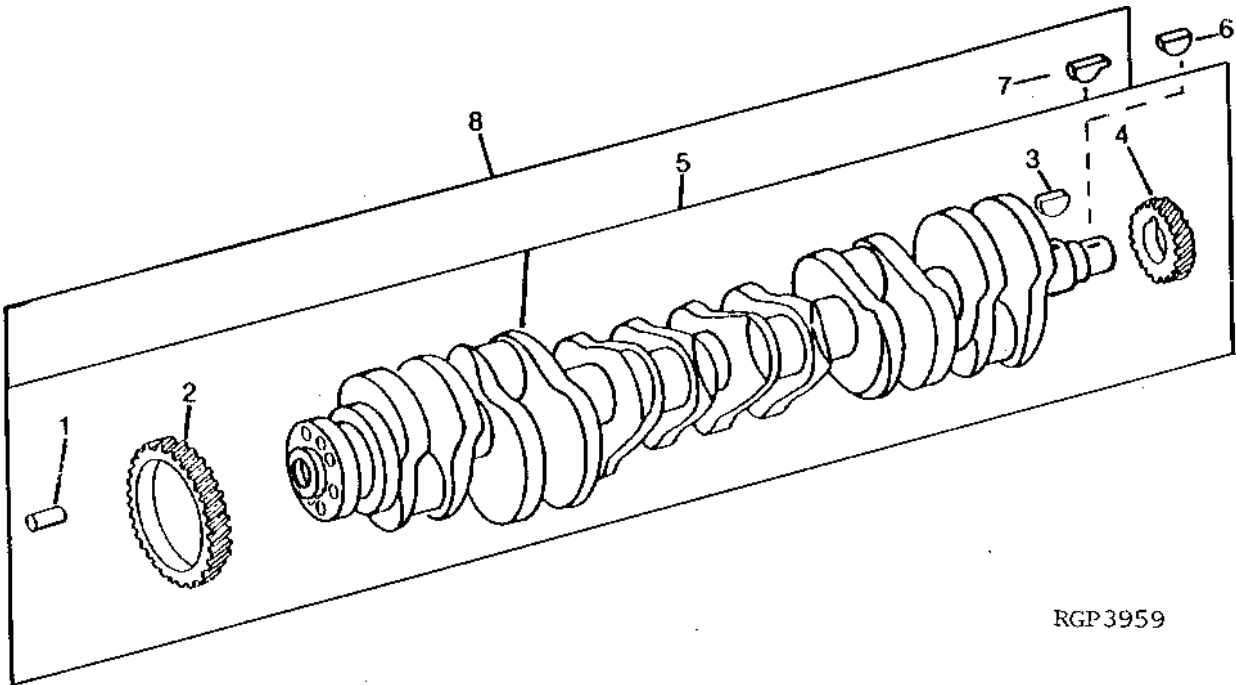
(A) LINERS WITH MARKED FOUR DIGIT DATE CODE AT ENGINE SERIAL NO. (134594-)

1D24

6076 ENGINE (ENGINE SERIAL NUMBER -499999)

CRANKSHAFT

(ENGINE SERIAL NO. -499999) (235HP/HH004 OR 253HP/HH001)
 (ENGINE SERIAL NO. -499999) (190HP) (EARLY DESIGN - STD. HP) (6076TH001)
 (USE WITH RE33390 CAMSHAFT GEAR)
 RGP3959 -UN-01JAN94



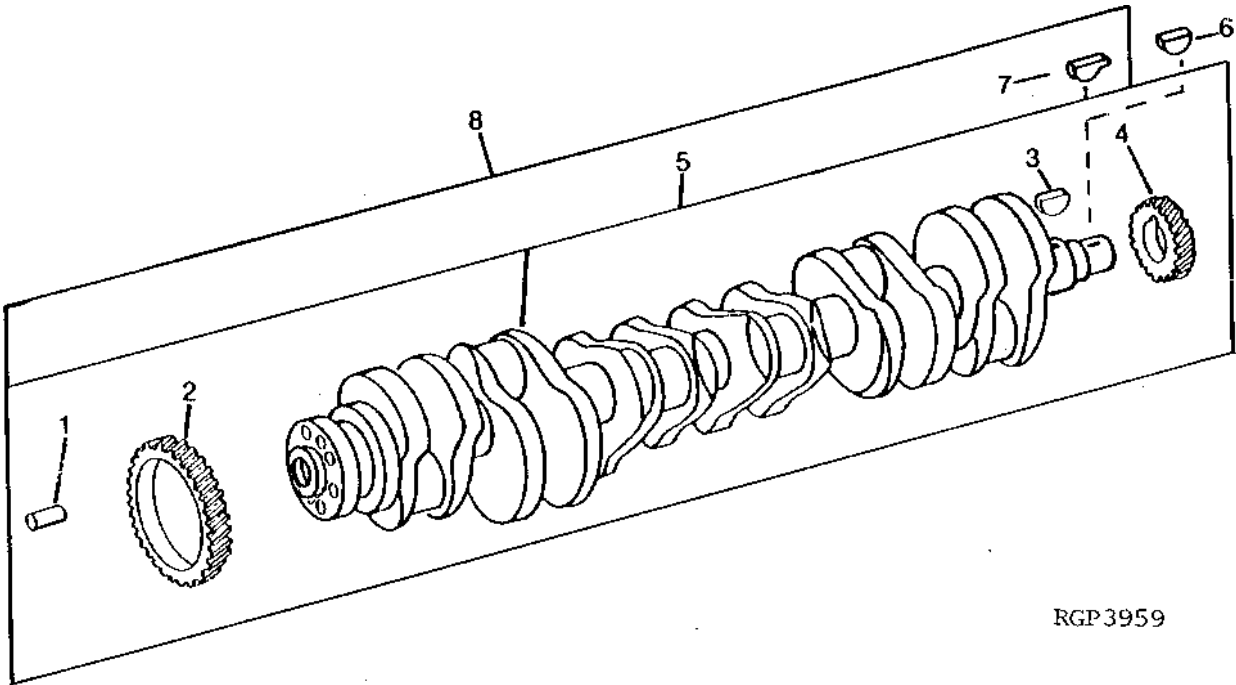
RGP3959

| KEY | PART NO. | PART NAME | QTY | ENGINE SERIAL NO. | REMARKS |
|-----|----------|------------|-----|---|---------|
| 1 | R41934 | DOWEL PIN | 1 | | |
| 2 | R63326 | GEAR | 1 | (SUB RE63293, APPL) | |
| 3 | R120752 | KEY | 1 | | |
| 4 | R86565 | GEAR | 1 | (35MM WIDE) (USE WITH R87544 OR RE33390 CAMSHAFT GEAR, APPL) | |
| 5 | RE27132 | CRANKSHAFT | 1 | (MARKED R87544) (SUB FOR RE27875) (SUB RE63293) (USE WITH R87570) | |
| 6 | 26H85 | SHAFT KEY | 1 | 1/4" X 1", (USE WITH R87544) | |
| 7 | R116311 | KEY | 1 | (USE WITH RE53201) | |
| 8 | RE63293 | CRANKSHAFT | 1 | (MARKED RE53201) (SUB FOR RE27875, RE27132 OR RE53201) | |

1D25

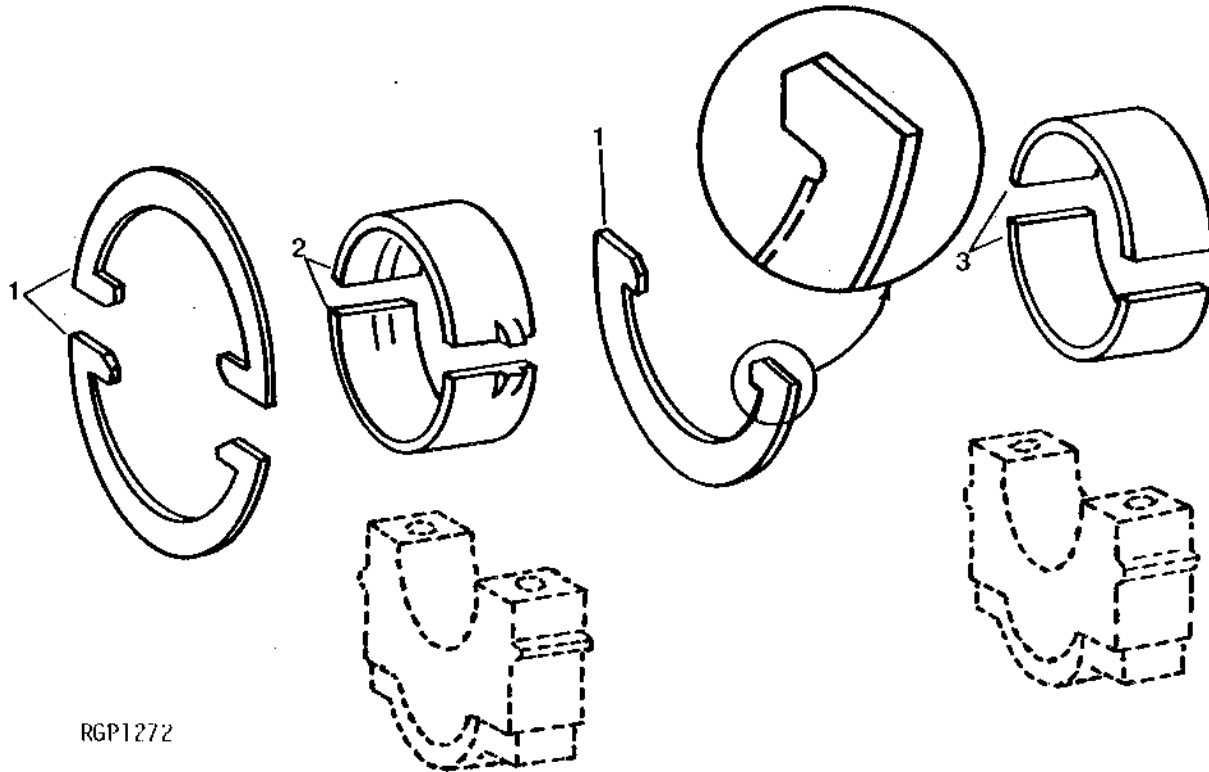
6076 ENGINE (ENGINE SERIAL NUMBER -499999)

CRANKSHAFT
 (ENGINE SERIAL NO. -499999) (215HP) (LATE DESIGN-STD HP) (6076HH003)
 (USE WITH RE27839 CAMSHAFT GEAR)
 RGP3959 -UN-01JAN94



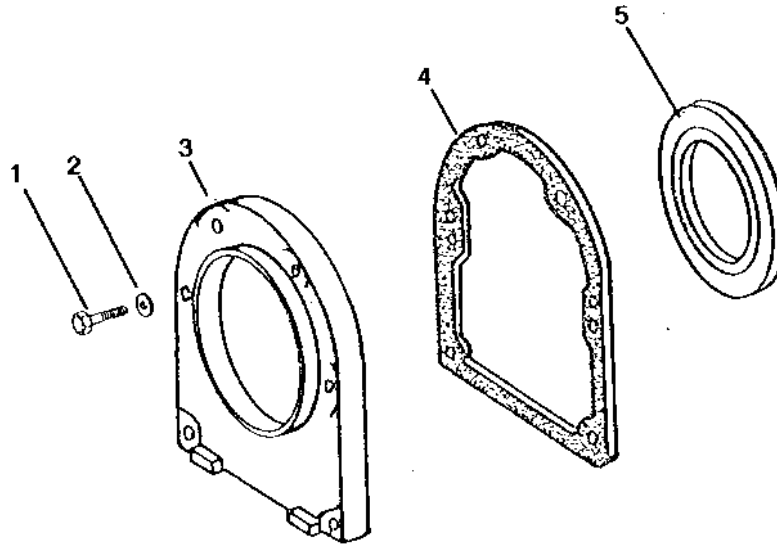
RGP3959

| KEY | PART NO. | PART NAME | QTY | ENGINE SERIAL NO. | REMARKS |
|-----|----------|------------|-----|-------------------|---|
| 1 | R41934 | DOWEL PIN | 1 | | |
| 2 | R63326 | GEAR | 1 | | (SUB RE53422, APPL) |
| 3 | R120752 | KEY | 1 | | 1/8" X 0.625" |
| 4 | R26049 | GEAR | 1 | -161875 | (USE WITH R63451) |
| | R105488 | GEAR | 1 | 161876- | (23 MM WIDE) (USE WITH RE42675 OR RE53203) |
| 5 | AR96189 | CRANKSHAFT | 1 | -161875 | (MARKED R63451) (USE WITH R71316) (SUB RE42671) |
| | RE42671 | CRANKSHAFT | 1 | 161876- | (MARKED RE42675) (USE WITH R71316) |
| 6 | 26H85 | SHAFT KEY | 1 | | 1/4" X 1", (USE WITH R63451 OR RE42675) |
| 7 | R116311 | KEY | 1 | | (USE WITH RE53203) |
| 8 | RE53422 | CRANKSHAFT | 1 | | (MARKED RE53203) |

MAIN AND MAIN THRUST BEARINGS
 RGP1272 -UN-01JAN94


| KEY | PART NO. | PART NAME | QTY | ENGINE SERIAL NO. | REMARKS |
|-----|----------|----------------|-----|-------------------|---|
| 1 | AR77747 | THRUST WASHER | 1 | | STD (PKG (3) R62986) |
| | AR77753 | THRUST WASHER | 1 | | 0.18 MM (.007") OS FLANGE (PKG (2) R63010 AND R62986) |
| 2 | AR77748 | THRUST BEARING | 1 | | STD (PKG R62987 AND R62988) |
| | AR77749 | THRUST BEARING | 1 | | 0.05 MM (.002") US (PKG R63002 AND R63006) |
| | AR77750 | THRUST BEARING | 1 | | 0.25 MM (.010") US (PKG R63003 AND R63007) |
| | AR77751 | THRUST BEARING | 1 | | 0.51 MM (.020") US (PKG R63004 AND R63008) |
| | AR77752 | THRUST BEARING | 1 | | 0.76 MM (.030") US (PKG R63005 AND R63009) |
| 3 | AR74814 | BEARING | AR | | STD (PKG R61289 AND R57584) |
| | AR74815 | BEARING | AR | | 0.05 MM (.002") US (PKG R61608 AND R60472) |
| | AR74816 | BEARING | AR | | 0.25 MM (.010") US (PKG R61609 AND R60473) |
| | AR74817 | BEARING | AR | | 0.51 MM (.020") US (PKG R61610 AND R60474) |
| | AR74818 | BEARING | AR | | 0.76 MM (.030") US (PKG R61611 AND R60475) |

CRANKSHAFT OIL SEAL AND HOUSING
RGP2382 -UN-01JAN94



RGP2382

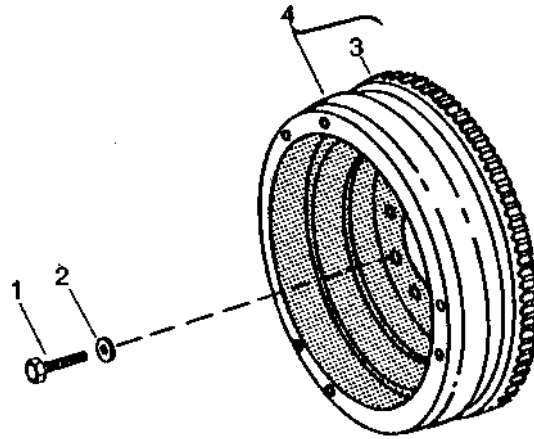
| KEY | PART NO. | PART NAME | QTY | ENGINE SERIAL NO. | REMARKS |
|-----|----------|-----------|-----|-------------------|---------|
| 1 | R47074 | CAP SCREW | 6 | | |
| 2 | T27860 | WASHER | 6 | | |
| 3 | R125027 | HOUSING | 1 | | |
| 4 | R26058 | GASKET | 1 | | |
| 5 | RE22764 | SEAL | 1 | | |

1E3

6076 ENGINE (ENGINE SERIAL NUMBER -499999)

FLYWHEEL

RGP198 -UN-01JAN94



RGP198

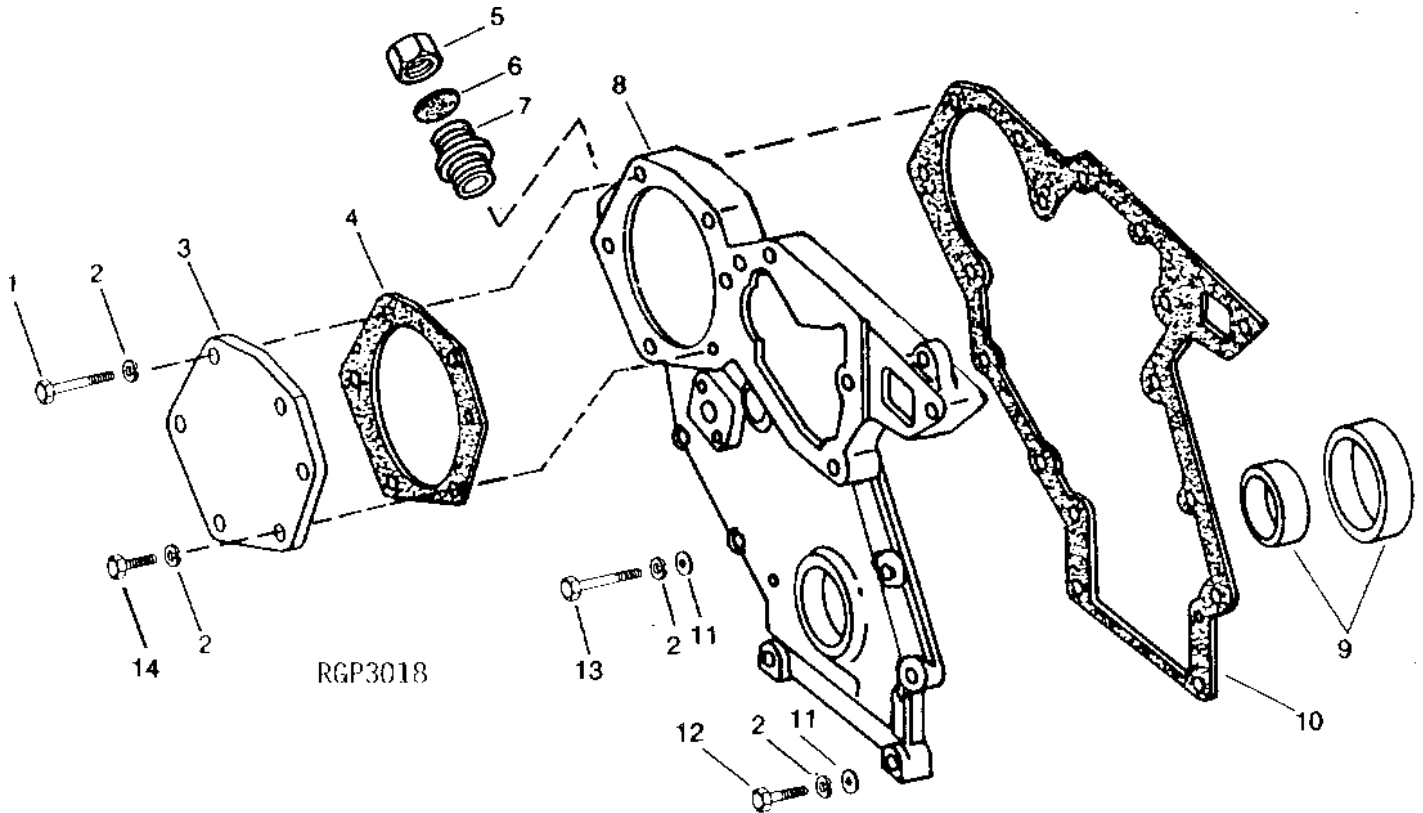
| KEY | PART NO. | PART NAME | QTY | ENGINE SERIAL NO. | REMARKS |
|-----|----------|-----------|-----|-------------------|--|
| 1 | R121199 | CAP SCREW | 6 | | 12.700 X 50.800 MM (1/2" X 2") (SUB FOR R43369 OR R112884) |
| 2 | T23891 | WASHER | 6 | | |
| 3 | R28811 | RING GEAR | 1 | | |
| 4 | AR95426 | FLYWHEEL | 1 | | (MARKED R73271) (SUB RE57733) |
| | RE57733 | FLYWHEEL | 1 | | (MARKED R125183) (SUB RE502510) |
| | RE502510 | FLYWHEEL | 1 | | (MARKED R501414) |

MEMORANDA

1E4

6076 ENGINE (ENGINE SERIAL NUMBER -499999)

**TIMING GEAR COVER AND FRONT OIL SEAL
(215HP) (6076HH003) (NARROW GEAR TRAIN)
(ENGINE SERIAL NO. -499999)
RGP3018 -UN-01JAN94**

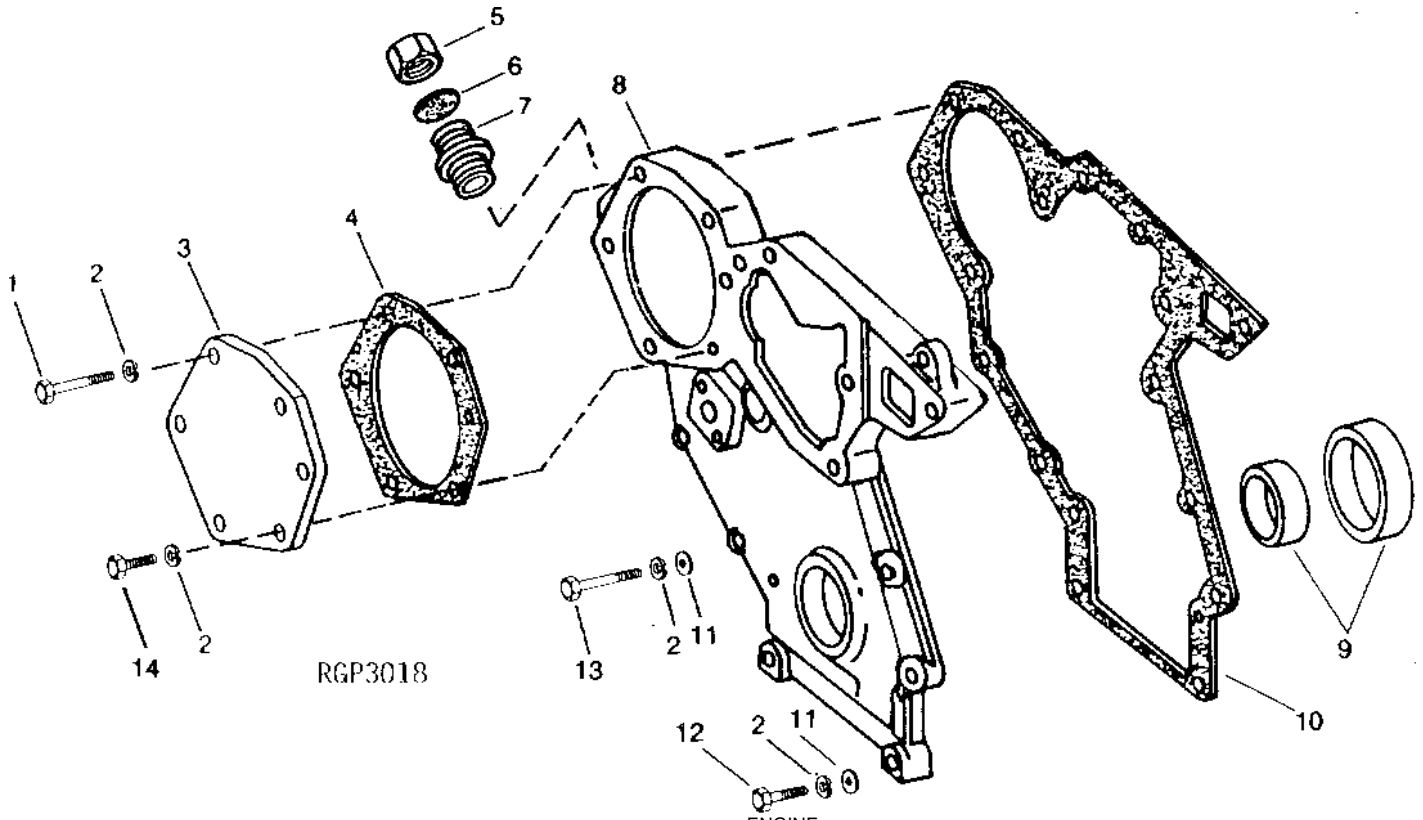


| KEY | PART NO. | PART NAME | QTY | ENGINE SERIAL NO. | REMARKS |
|-----|----------|-----------------|-----|-------------------|--|
| 1 | 19H1907 | CAP SCREW | 4 | | 5/16" X 2-3/4" |
| 2 | 12H303 | LOCK WASHER | 1 | | 5/16", (USE WITH 19H1907) |
| | 12H303 | LOCK WASHER | 11 | | 5/16", (NO LONGER REQUIRED) |
| 3 | R50393 | COVER | 1 | | |
| 4 | R50390 | GASKET | 1 | | |
| 5 | T20294 | CAP | 1 | | |
| 6 | T20328 | GASKET | 1 | | |
| 7 | R50354 | THREADED NIPPLE | 1 | | |
| 8 | R71316 | COVER | 1 | | |
| 9 | AR49025 | SEAL | 1 | | |
| 10 | R71314 | GASKET | 1 | | |
| 11 | 24H1136 | WASHER | 6 | | 11/32" X 11/16" X 0.065", (NO LONGER REQUIRED WITH R104859 OR R112269) |
| 12 | R104859 | CAP SCREW | 4 | | |
| 13 | R112269 | CAP SCREW | 2 | | |
| 14 | 19H1905 | CAP SCREW | 1 | | 5/16" X 1" |
| | 19H1904 | CAP SCREW | 1 | | 5/16" X 3", (ALTERNATOR ADJUSTING STRAP) |

1E5

6076 ENGINE (ENGINE SERIAL NUMBER -499999)

TIMING GEAR COVER AND FRONT OIL SEAL
 (ENGINE SERIAL NO. -499999) (WIDE GEAR TRAIN)
 (190HP/TH001, 235HP/HH001 OR 253HP/HH001)
 RGP3018 -UN-01JAN94

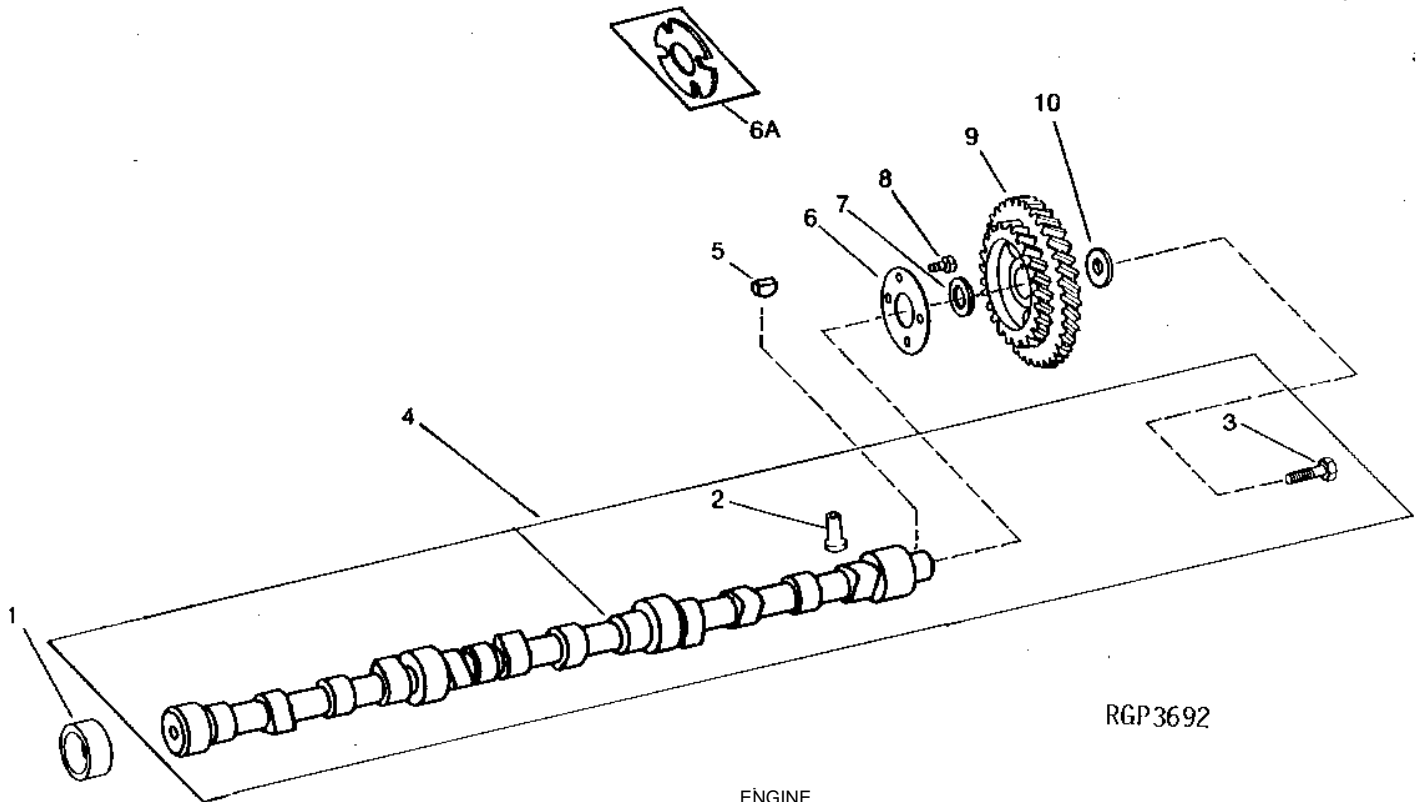


| KEY | PART NO. | PART NAME | QTY | ENGINE SERIAL NO. | REMARKS |
|-----|----------|-----------------|-----|--------------------------|-----------------------------------|
| 1 | R104861 | CAP SCREW | 4 | | |
| 2 | 12H303 | LOCK WASHER | 7 | 5/16" | |
| | 12H303 | LOCK WASHER | 5 | 5/16" | ACCESS COVER (NO LONGER REQUIRED) |
| 3 | R50393 | COVER | 1 | | |
| 4 | R50390 | GASKET | 1 | | |
| 5 | T20294 | CAP | 1 | | |
| 6 | T20328 | GASKET | 1 | | |
| 7 | R50354 | THREADED NIPPLE | 1 | | |
| 8 | R87570 | COVER | 1 | | |
| 9 | AR49025 | SEAL | 1 | | |
| 10 | R71314 | GASKET | 1 | | |
| 11 | 24H1136 | WASHER | 6 | 11/32" X 11/16" X 0.065" | |
| 12 | 19H3552 | CAP SCREW | 2 | 5/16" X 1-1/2" | |
| 13 | 19H2569 | CAP SCREW | 4 | 5/16" X 1-5/8" | |
| 14 | R112268 | CAP SCREW | 1 | | |
| | 19H1897 | CAP SCREW | 1 | 5/16" X 3-3/4" | (ALTERNATOR ADJUSTING STRAP) |

1E6

6076 ENGINE (ENGINE SERIAL NUMBER -499999)

CAMSHAFT AND GEAR (USE W/R86565 GEAR (35MM WIDE)/RE53201 CRANKSHAFT)
 (ENGINE SERIAL NO. -499999) (WIDE GEAR TRAIN)
 (190HP/TH001, 235HP/HH004 OR 253HP/HH001)
 RGP3692 -UN-01JAN94

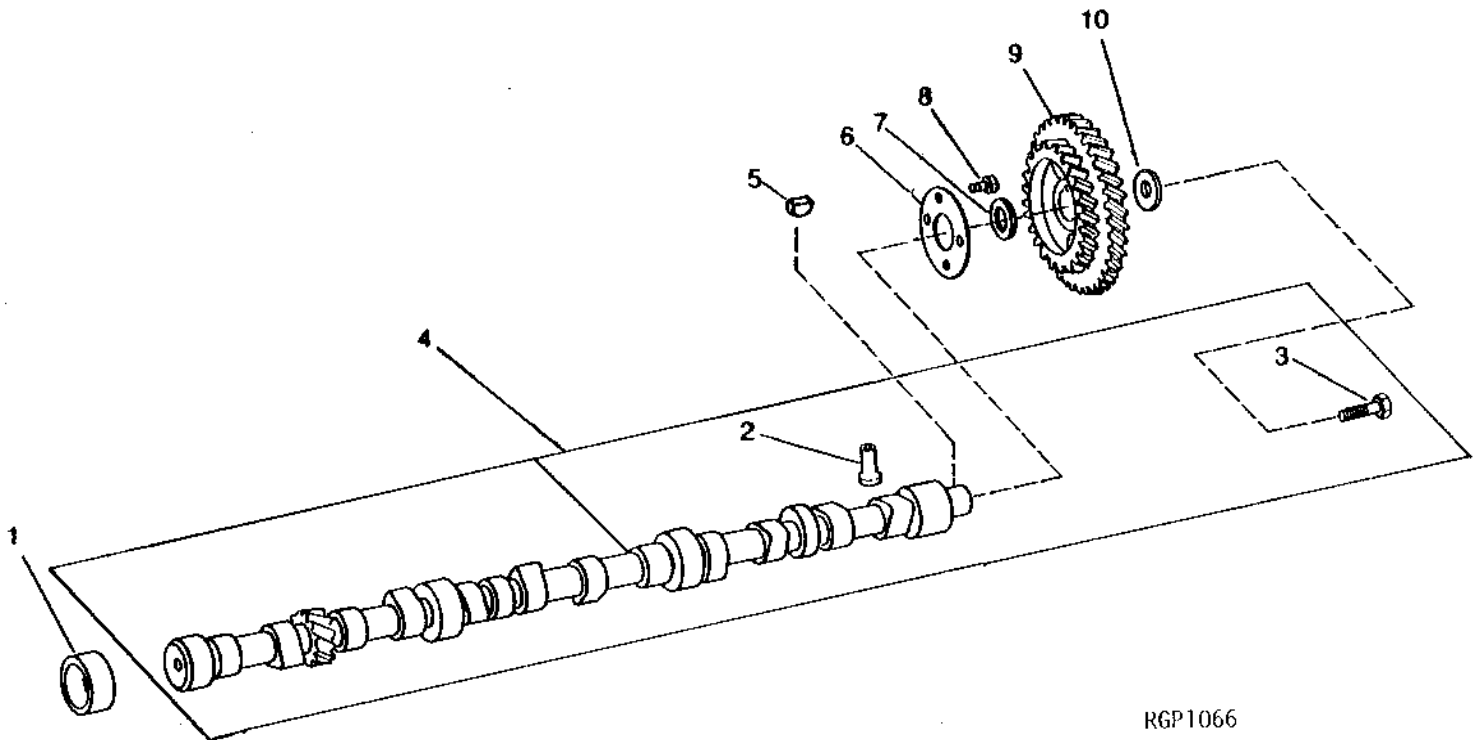


| KEY | PART NO. | PART NAME | QTY | ENGINE SERIAL NO. | REMARKS |
|-----|----------|---------------|-----|-------------------|---|
| 1 | R87561 | BUSHING | 4 | | |
| 2 | R105379 | CAM FOLLOWER | 12 | | (SUB FOR R91747) (USE WITH R84828 OR R105494) |
| | R110126 | CAM FOLLOWER | 12 | | (USE WITH R108370) |
| 3 | R85319 | CAP SCREW | 1 | | 14.288 X 104.648 MM (9/16" X 4.120") |
| 4 | RE29526 | CAMSHAFT | 1 | -121169 | (MARKED R84828) (SUB RG22421) |
| | RG19170 | CAMSHAFT | 1 | 121170- | (MARKED R105494) (SUB RG22421) |
| | RG22421 | CAMSHAFT | 1 | | (MARKED R108370) |
| 5 | 26H72 | SHAFT KEY | 1 | | 1/8" X 5/8" |
| 6 | R84958 | THRUST WASHER | 1 | -128227 | (SUB R100942) (USE WITH R87570) |
| 6A | R100942 | THRUST WASHER | 1 | 128228- | (USE WITH R87570) |
| 7 | R84959 | WASHER | 1 | | |
| 8 | 19H2894 | SCREW | 3 | | 5/16" X 0.620" |
| 9 | RE33390 | GEAR | 1 | | (MATCHED SET W/INJECTION PUMP GEAR) |
| 10 | R84960 | SPACER | 1 | | |

1E7

6076 ENGINE (ENGINE SERIAL NUMBER -499999)

CAMSHAFT AND GEAR (USE W/R105488 GEAR (23MM WIDE)/RE53422 CRANKSHAFT)
 (6076HH003) (NARROW GEAR TRAIN)
 (ENGINE SERIAL NO. -499999) (215HP)
 RGP1066 -UN-01JAN94

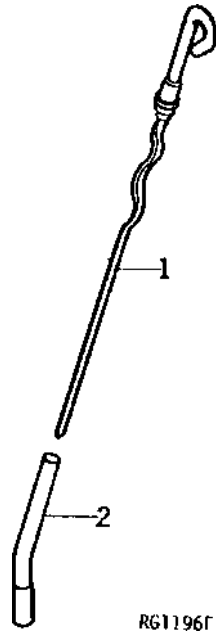


| KEY | PART NO. | PART NAME | QTY | ENGINE SERIAL NO. | REMARKS |
|-----|----------|---------------|-----|-------------------|--------------------------------------|
| 1 | R87561 | BUSHING | 4 | | |
| 2 | R105379 | CAM FOLLOWER | 12 | | (USE WITH R105494) |
| | R110126 | CAM FOLLOWER | 12 | | (USE WITH R108370) |
| 3 | R85319 | CAP SCREW | 1 | | 14.288 X 104.648 MM (9/16" X 4.120") |
| 4 | RG19170 | CAMSHAFT | 1 | | (MARKED R105494) (SUB RG22421) |
| | RG22421 | CAMSHAFT | 1 | | (MARKED R108370) |
| 5 | 26H72 | SHAFT KEY | 1 | | 1/8" X 5/8" |
| 6 | R100630 | THRUST WASHER | 1 | | (USE WITH R71316) |
| 7 | R84959 | WASHER | 1 | | |
| 8 | 19H2894 | SCREW | 3 | | 5/16" X 0.620" |
| 9 | RE27839 | GEAR | 1 | | (MATCHED SET WINJECTION PUMP GEAR) |
| 10 | R84960 | SPACER | 1 | | |

1E8

6076 ENGINE (ENGINE SERIAL NUMBER -499999)

ENGINE OIL DIPSTICK AND TUBE
(ENGINE SERIAL NO. -499999)
RG1196 -UN-01JAN94

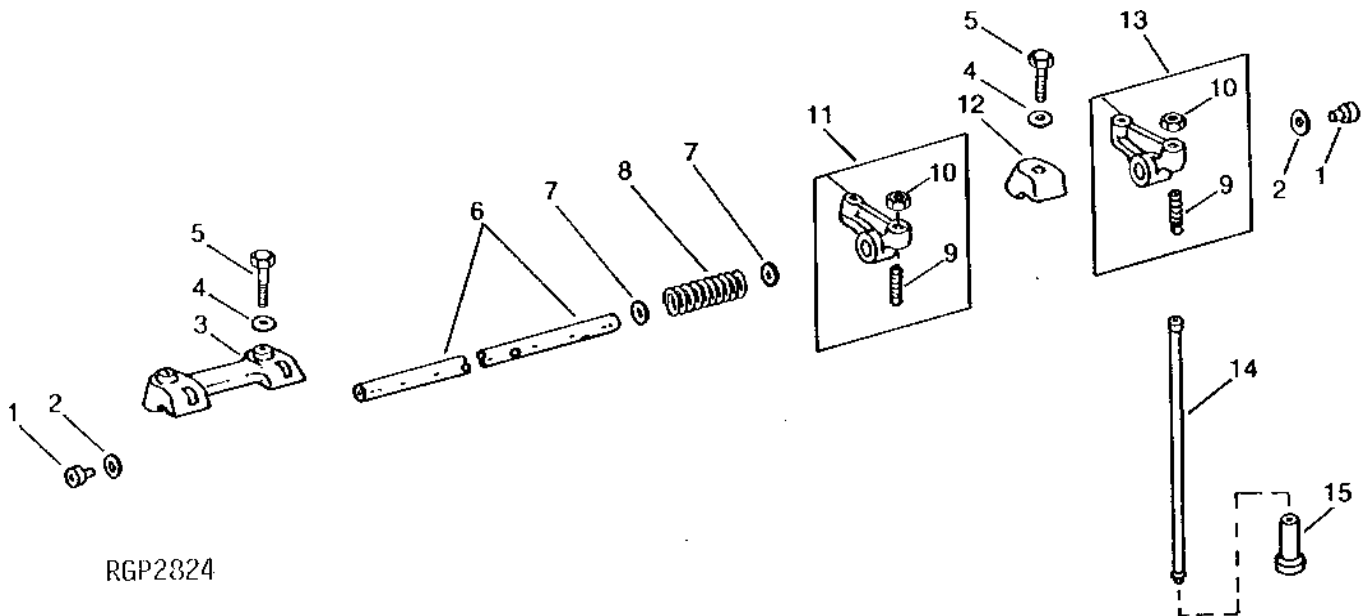


| KEY | PART NO. | PART NAME | QTY | ENGINE SERIAL NO. | REMARKS |
|-----|----------|---------------|-----|--|---------|
| 1 | RE37425 | DIPSTICK | 1 | (TH001 OR HH001) | |
| | AR74021 | DIPSTICK | 1 | (SUB RE37425 FOR TH001 OR HH001, ONLY) | |
| 2 | AR71850 | DIPSTICK TUBE | 1 | | |

ROCKER ARMS, SHAFT AND PUSH RODS

(ENGINE SERIAL NO. -499999)

RGP2824 -UN-01JAN94



| KEY | PART NO. | PART NAME | QTY | ENGINE SERIAL NO. | REMARKS |
|-----|----------|------------------|-----|---|---------------|
| 1 | R54565 | PLUG | 2 | | |
| 2 | R26081 | WASHER | 2 | | |
| 3 | R65553 | CLAMP | 2 | | (SUB R136083) |
| | R136083 | CLAMP | 2 | | |
| 4 | R26559 | WASHER | 6 | | |
| 5 | 19H1740 | CAP SCREW | 6 | 7/16" X 1-3/4" | |
| 6 | R70826 | ROCKER ARM SHAFT | 1 | | |
| 7 | R71208 | WASHER | 10 | | |
| 8 | R26079 | SPRING | 5 | | |
| 9 | R27443 | SET SCREW | 12 | | |
| 10 | 14H846 | NUT | 12 | 3/8" | |
| 11 | RE24045 | ROCKER ARM | 6 | (A) (1E, 2I, 3E, 4I, 5E, 6I) (RH) | |
| 12 | R26748 | CLAMP | 2 | | |
| 13 | RE24046 | ROCKER ARM | 6 | (A) (1I, 2E, 3I, 4E, 5I, 6E) (LH) | |
| 14 | R85027 | PUSH ROD | 12 | | |
| 15 | R105379 | CAM FOLLOWER | 12 | (SUB FOR R91747) (USE WITH R84828 OR R105494) | |
| | R110126 | CAM FOLLOWER | 12 | (USE WITH R108370) | |

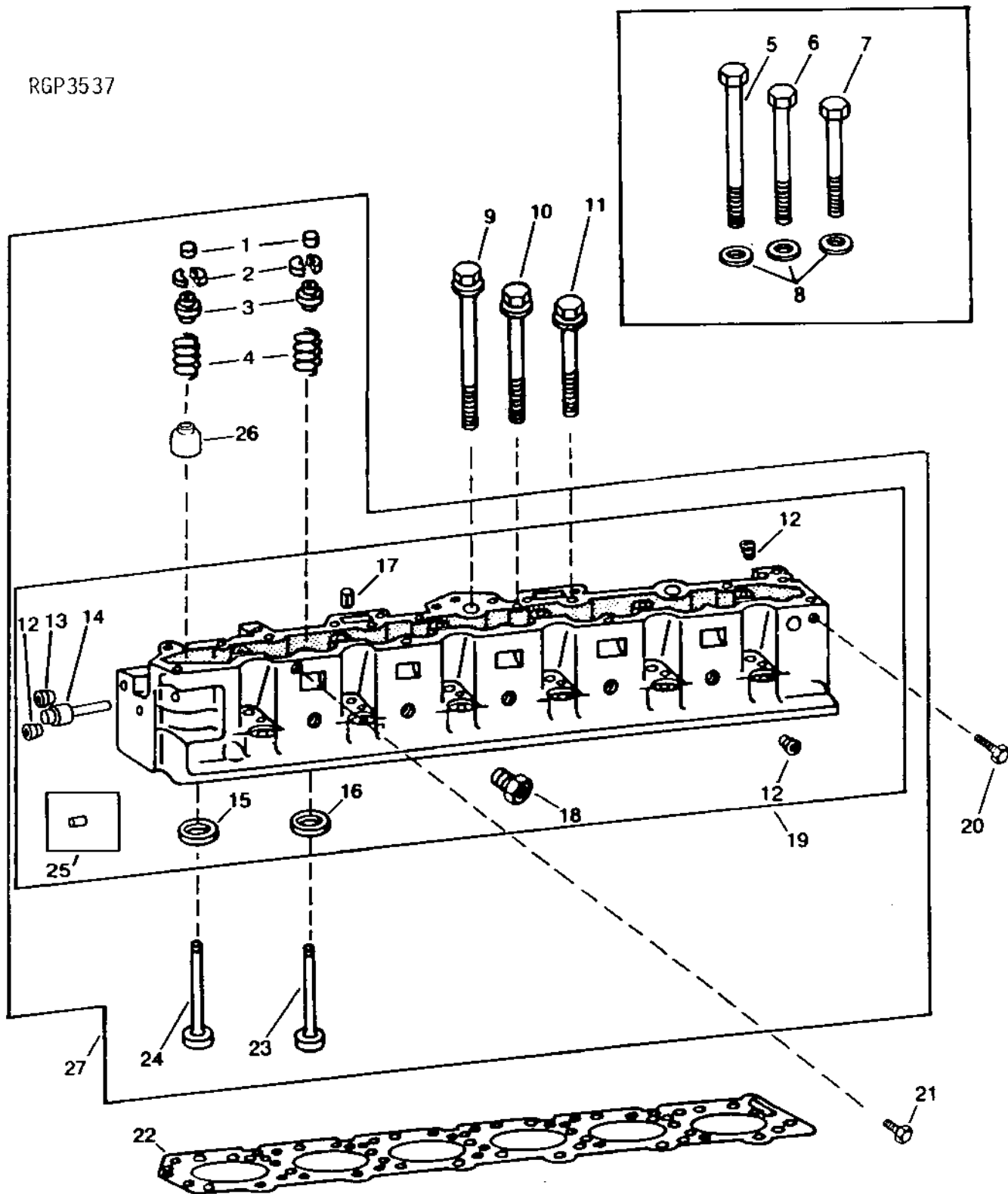
(A) - E (EXHAUST VALVE) - I (INTAKE VALVE)

1E10

6076 ENGINE (ENGINE SERIAL NUMBER -499999)

CYLINDER HEAD AND VALVES
(ENGINE SERIAL NO. -499999)
RGP3537 -UN-01JAN94

RGP3537



CYLINDER HEAD AND VALVES - CONTINUED
(ENGINE SERIAL NO. -499999)

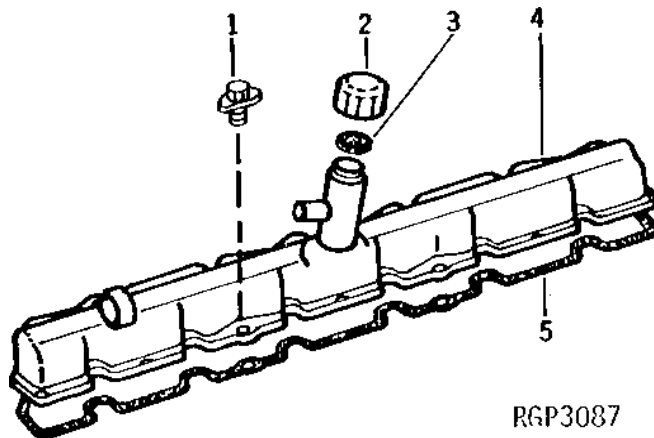
| KEY | PART NO. | PART NAME | QTY | ENGINE SERIAL NO. | REMARKS |
|-----|----------|-----------------------------|-----|-------------------|--|
| 1 | T20129 | CAP | 12 | | |
| 2 | T20077 | RETAINER | 24 | | |
| 3 | RE11410 | ROTATOR | 12 | | |
| 4 | R91732 | SPRING | 12 | -129678 | (SUB R91822) |
| | R91822 | SPRING | 12 | 129679- | |
| 5 | R62420 | SCREW | 7 | -101977 | (9/16" X 7.4") (SUB R88045) |
| 6 | R62419 | SCREW | 8 | -101977 | (9/16" X 6.3") (SUB R88044) |
| 7 | R62418 | SCREW | 11 | -101977 | (9/16" X 5.3") (SUB R88043) |
| 8 | R76126 | WASHER | 26 | -101977 | 14.681 X 25.400 X 2.667 MM (37/64" X 1" X 0.105") (USE WITH R62418, R62419 OR R62420 ONLY, APPL) |
| 9 | R88045 | SCREW | 7 | 101978- | (A) (9/16" X 7.4") |
| | R121322 | SCREW | 7 | | (B) (MARKED "SPECIAL") (9/16" X 7.4") |
| 10 | R88044 | SCREW | 8 | 101978- | (A) (9/16" X 6.3") |
| | R121321 | SCREW | 8 | | (B) (MARKED "SPECIAL") (9/16" X 6.3") |
| 11 | R88043 | SCREW | 11 | 101978- | (A) (9/16" X 5.3") |
| | R121320 | CAP SCREW | 11 | | (B) (MARKED "SPECIAL") (9/16" X 5.3") |
| 12 | 15H690 | PIPE PLUG | 10 | | 3/4" |
| 13 | 15H624 | PIPE PLUG | 2 | | 1/2" (LH FRONT NO. 5 HOLE NO LONGER REQUIRED) |
| 14 | AT107509 | PLUG | 1 | 143829- | |
| 15 | R84976 | VALVE SEAT INSERT | 6 | | EXHAUST |
| | R93349 | VALVE SEAT INSERT | AR | | 0.25MM (.010") OS |
| 16 | R84977 | VALVE SEAT INSERT | 6 | | INTAKE |
| | R93350 | VALVE SEAT INSERT | AR | | 0.25MM (.010") OS |
| 17 | 34H387 | SPRING PIN | 1 | | 3/16" X 3/4" |
| 18 | R76491 | PIPE PLUG | 1 | | |
| 19 | RE26380 | CYLINDER HEAD | 1 | | (MARKED R86427) (SUB RE58516) |
| 20 | 19H1756 | CAP SCREW | 2 | | 5/8" X 1-1/2" |
| 21 | 19H2367 | CAP SCREW | 1 | | 5/8" X 3/4" |
| 22 | RE47336 | ENGINE CYLINDER HEAD GASKET | 1 | | (SUB FOR R55182, RE34010 OR R80026) |
| 23 | R84618 | INTAKE VALVE | 6 | | STD |
| | R93308 | INTAKE VALVE | AR | | 0.08MM (.003") OS |
| | R93312 | INTAKE VALVE | AR | | 0.38MM (.015") OS |
| | R93314 | INTAKE VALVE | AR | | 0.76MM (.030") OS |
| 24 | R84619 | EXHAUST VALVE | 6 | | STD |
| | R93311 | EXHAUST VALVE | AR | | 0.08MM (.003") OS |
| | R93313 | EXHAUST VALVE | AR | | 0.38MM (.015") OS |
| | R93315 | EXHAUST VALVE | AR | | 0.76MM (.030") OS |
| 25 | F1743R | DOWEL PIN | 1 | -143828 | |
| 26 | R102882 | SHIELD | 6 | | (EXHAUST VALVES ONLY) |
| 27 | RE29528 | CYLINDER HEAD | 1 | -106215 | (SUB RE42741) |
| | RE41216 | CYLINDER HEAD | 1 | 106216-129678 | (SUB RE42741) |
| | RE45426 | CYLINDER HEAD | 1 | 129679-168023 | (MARKED R86427) (SUB RE58516) |
| | RE42741 | CYLINDER HEAD | 1 | 168024- | (MARKED R102932) (SUB RE58516) |
| | RE58516 | CYLINDER HEAD | 1 | | (MARKED R122112) |
| .. | RG24025 | KIT | 1 | | (B) (C) (CONTAINS (26) "SPECIAL" HEAD BOLTS) |

- (A) USE WITH BLOCKS MARKED BELOW R122723
 (B) USE WITH BLOCKS MARKED R122724 AND ABOVE
 (C) ALSO CONTAINED IN NEW SHORT BLOCK ASSEMBLIES

1E12

6076 ENGINE (ENGINE SERIAL NUMBER -499999)

ROCKER ARM COVER
RGP3087 -UN-01JAN94

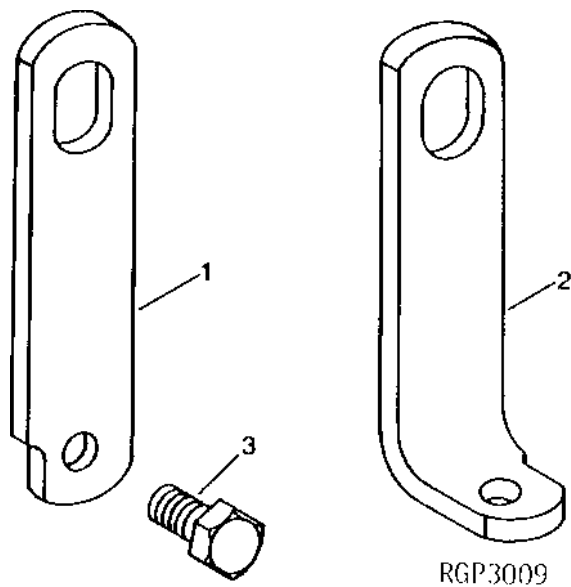


| KEY | PART NO. | PART NAME | QTY | ENGINE SERIAL NO. | REMARKS |
|-----|----------|--------------------|-----|-------------------|---------|
| 1 | AR100124 | SCREW, WITH WASHER | 8 | | |
| 2 | T20294 | CAP | 1 | | |
| 3 | T20328 | GASKET | 1 | | |
| 4 | AR93173 | COVER | 1 | | |
| 5 | R49866 | GASKET | 1 | | |
| .. | AR31790 | ADHESIVE | 1 | | |

1E13

6076 ENGINE (ENGINE SERIAL NUMBER -499999)

LIFT STRAPS
(ENGINE SERIAL NO. -499999)
RGP3009 -UN-01JAN94



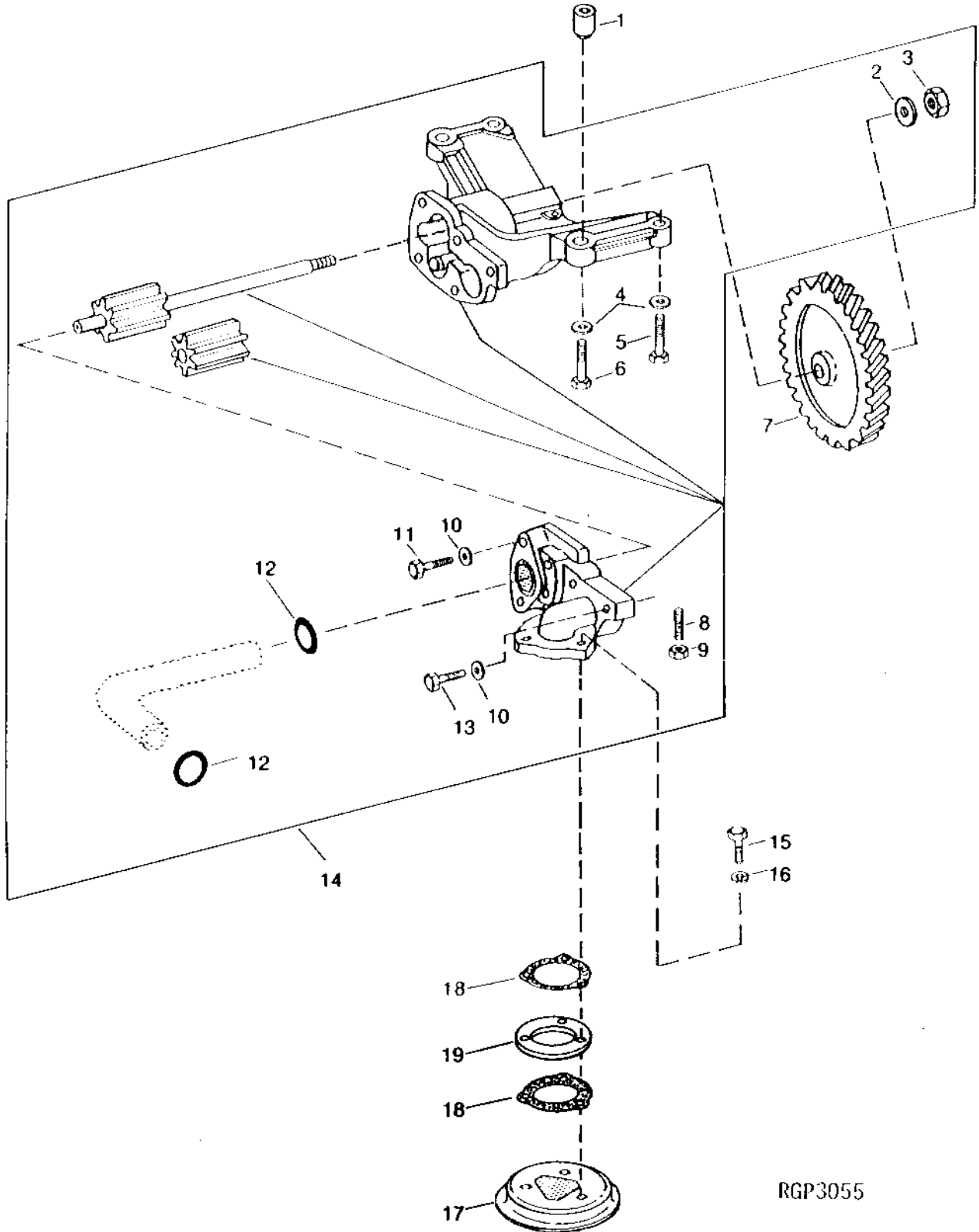
| KEY | PART NO. | PART NAME | QTY | ENGINE SERIAL NO. | REMARKS |
|-----|----------|-----------|-----|-------------------|---------|
| 1 | R61497 | STRAP | 1 | (A) (FRONT) | |
| | R61497 | STRAP | 2 | | |
| 2 | R86571 | ANGLE | 1 | (A) (REAR) | |
| 3 | 19H1756 | CAP SCREW | 2 | 5/8" X 1-1/2" | |

(A) - (HH001 AND TH001)

1E14

6076 ENGINE (ENGINE SERIAL NUMBER -499999)

OIL PUMP (EARLY DESIGN)
(ENGINE SERIAL NO. -499999)
RGP3055 -UN-01JAN94



RGP3055

1E15

6076 ENGINE (ENGINE SERIAL NUMBER -499999)

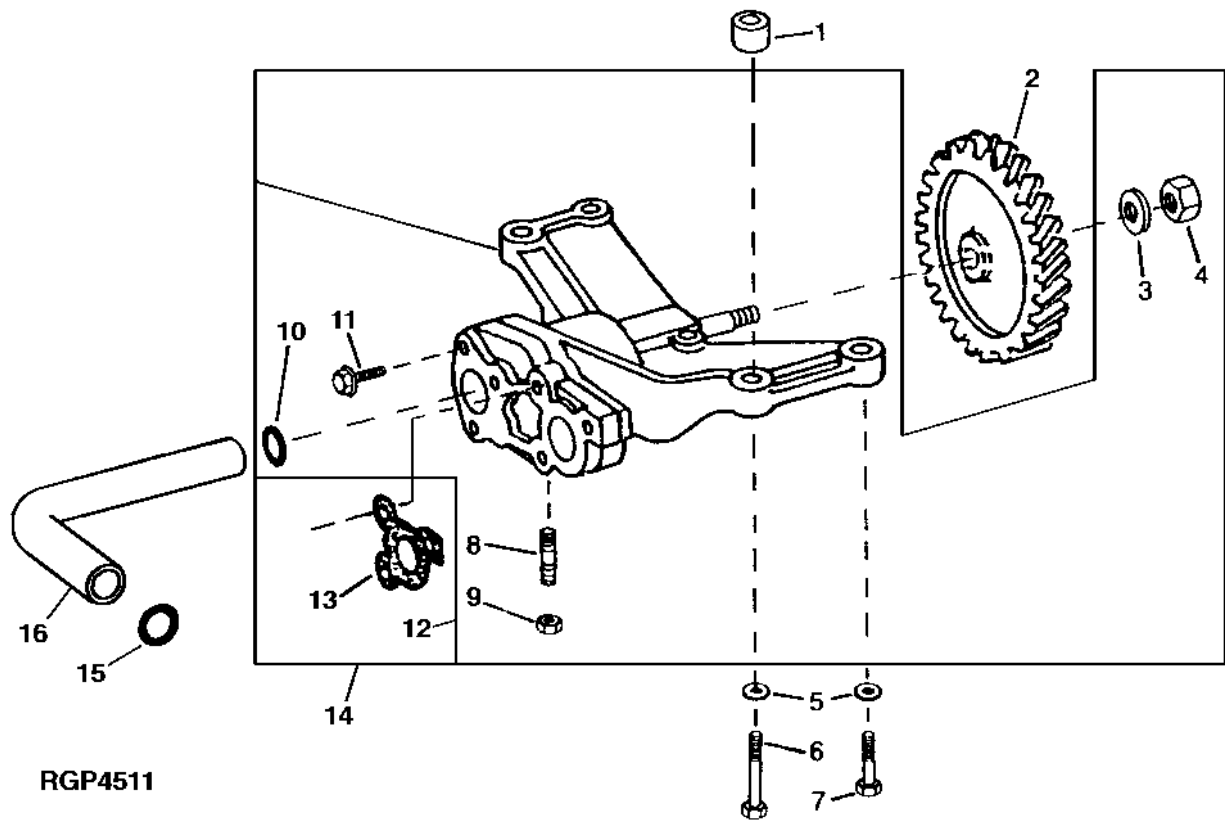
ENGINE OIL PUMP - CONTINUED
(ENGINE SERIAL NO. -499999)

| KEY | PART NO. | PART NAME | QTY | ENGINE SERIAL NO. | REMARKS |
|-----|----------|-----------|-----|-------------------|---|
| 1 | R62930 | BUSHING | 2 | | |
| 2 | R62938 | GEAR | 1 | | |
| 3 | T21242 | WASHER | 1 | | |
| 4 | 14H826 | NUT | 1 | 1/2" | |
| 5 | R57696 | WASHER | 4 | | |
| 6 | 19H2549 | CAP SCREW | 2 | 3/8" X 1-7/8" | |
| 7 | 19H3219 | CAP SCREW | 2 | 3/8" X 1-3/8" | |
| 8 | 22H1040 | SET SCREW | 1 | 5/16" X 1-1/4" | |
| 9 | 14H785 | NUT | 1 | 5/16" | |
| 10 | R71732 | O-RING | 1 | | |
| 11 | R104628 | CAP SCREW | 2 | | |
| | R104628 | CAP SCREW | 3 | | (INTAKE COVER TO HOUSING) |
| 12 | RE44118 | OIL PUMP | 1 | | (MARKED R62946) (SUB FOR AR99341 OR AR96190, APPL) (USE WITH RE38828) (SUB RE60622) |
| 13 | R100569 | GASKET | 1 | | |
| 14 | RE60622 | OIL PUMP | 1 | | (MARKED R124328) (USE WITH RE38828) |
| 15 | R71732 | O-RING | 1 | | |
| 16 | R62952 | OIL TUBE | 1 | | |

1E16

6076 ENGINE (ENGINE SERIAL NUMBER -499999)

ENGINE OIL PUMP
(ENGINE SERIAL NO. -499999)
RGP4511 -UN-16JUN95



RGP4511

1E17

6076 ENGINE (ENGINE SERIAL NUMBER -499999)

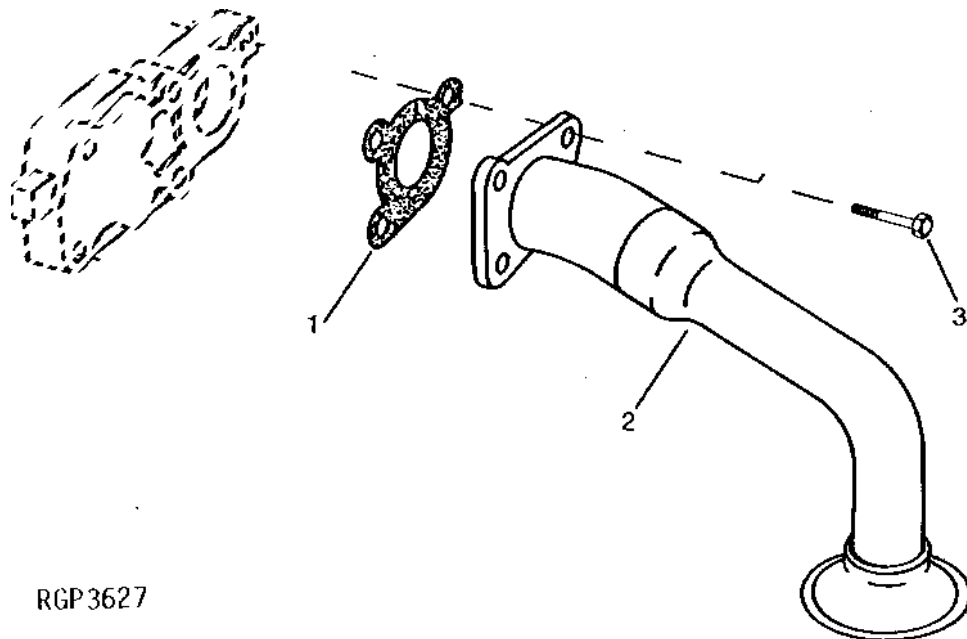
ENGINE OIL PUMP - CONTINUED
(ENGINE SERIAL NO. -499999)

| KEY | PART NO. | PART NAME | QTY | ENGINE SERIAL NO. | REMARKS |
|-----|----------|-----------|-----|-------------------|---|
| 1 | R62930 | BUSHING | 2 | | |
| 2 | R62938 | GEAR | 1 | | |
| 3 | T21242 | WASHER | 1 | | |
| 4 | 14H826 | NUT | 1 | 1/2" | |
| 5 | R57696 | WASHER | 4 | | |
| 6 | 19H1875 | CAP SCREW | 2 | 5/16" X 1-3/4" | |
| 7 | 19H3219 | CAP SCREW | 2 | 3/8" X 1-3/8" | |
| 8 | 22H1040 | SET SCREW | 1 | 5/16" X 1-1/4" | |
| 9 | 14H785 | NUT | 1 | 5/16" | |
| 10 | R71732 | O-RING | 1 | | |
| 11 | R104628 | CAP SCREW | 2 | | |
| | R104628 | CAP SCREW | 3 | | (INTAKE COVER TO HOUSING) |
| 12 | RE44118 | OIL PUMP | 1 | | (MARKED R62946) (SUB FOR AR99341 OR AR96190, APPL) (USE WITH RE38828) (SUB RE60622) |
| 13 | R100569 | GASKET | 1 | | |
| 14 | RE60622 | OIL PUMP | 1 | | (MARKED R124328) (USE WITH RE38828) |
| 15 | R71732 | O-RING | 1 | | |
| 16 | R62952 | OIL TUBE | 1 | | |

1E18

6076 ENGINE (ENGINE SERIAL NUMBER -499999)

ENGINE OIL PUMP INTAKE
(ENGINE SERIAL NO. -499999)
RGP3627 -UN-01JAN94

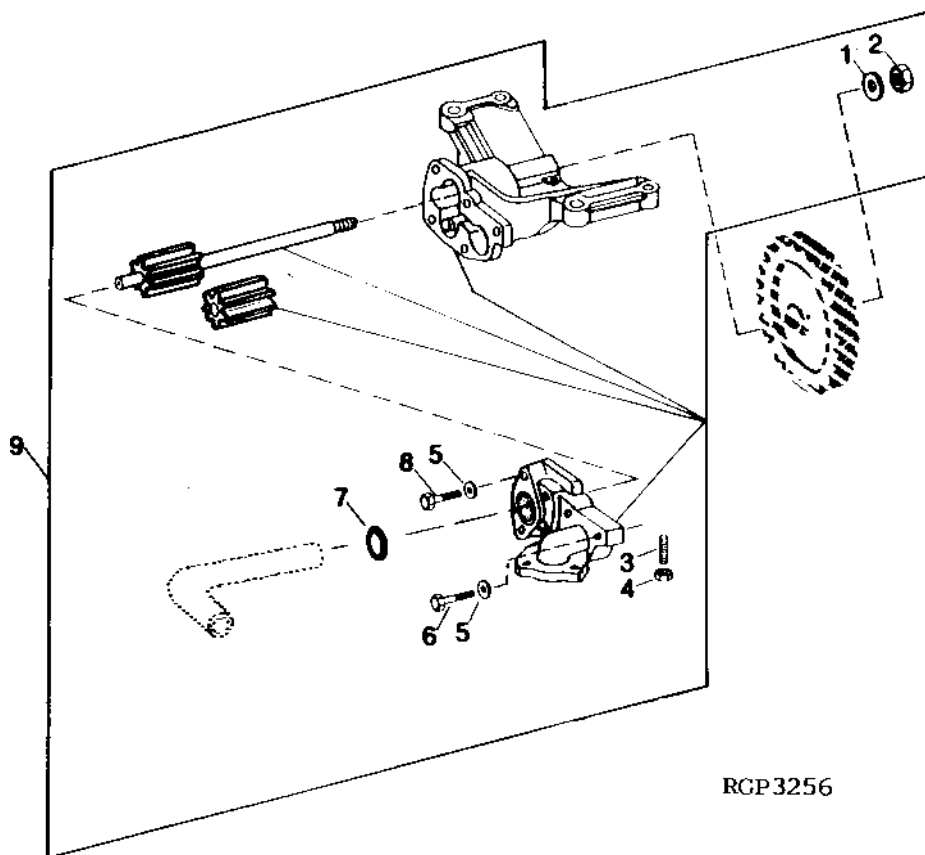


| KEY | PART NO. | PART NAME | QTY | ENGINE SERIAL NO. | REMARKS |
|-----|----------|-----------------|-----|-------------------|---|
| 1 | R100569 | GASKET | 1 | | |
| 2 | RE38828 | OIL PUMP INTAKE | 1 | | (USE WITH RE44118 OR RE60622) (SUB RE60550) |
| | RE60550 | OIL PUMP INTAKE | 1 | | |
| 3 | R104628 | CAP SCREW | 3 | | |

1E19

6076 ENGINE (ENGINE SERIAL NUMBER -499999)

REPLACEMENT ENGINE OIL PUMP
(ENGINE SERIAL NO. -499999)
RGP3256 -UN-20OCT94



| KEY | PART NO. | PART NAME | QTY | ENGINE SERIAL NO. | REMARKS |
|-----|----------|-----------|-----|---|---------|
| 1 | T21242 | WASHER | 1 | | |
| 2 | 14H826 | NUT | 1 | 1/2" | |
| 3 | 22H1040 | SET SCREW | 1 | 5/16" X 1-1/4" | |
| 4 | 14H785 | NUT | 1 | 5/16" | |
| 5 | M72490 | WASHER | 5 | (SUB FOR R42729) | |
| 6 | 19H1765 | CAP SCREW | 3 | 3/8" X 1-3/4" | |
| 7 | R71732 | O-RING | 1 | | |
| 8 | 19H2733 | CAP SCREW | 2 | 3/8" X 2-3/8" | |
| 9 | AR99341 | OIL PUMP | 1 | (SUB FOR AR96190) (SUB RE60622 AND RE38828, APPL) | |

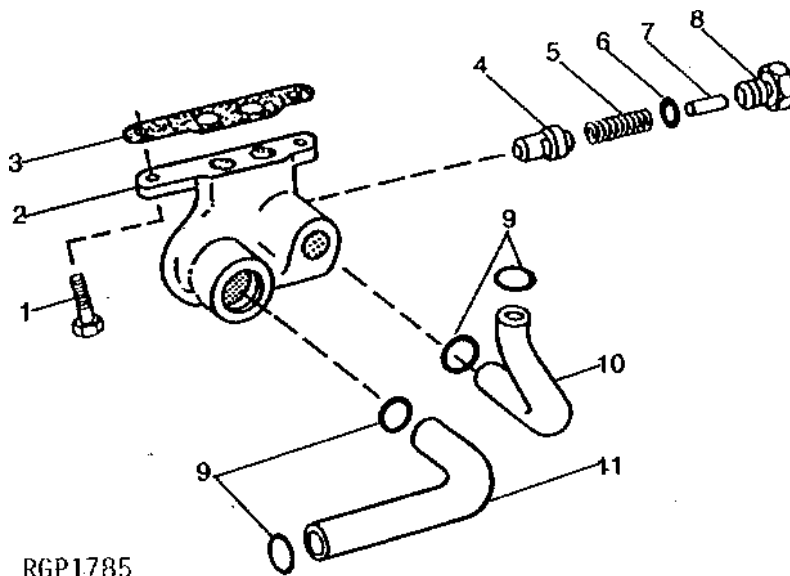
1E20

6076 ENGINE (ENGINE SERIAL NUMBER -499999)

ENGINE OIL COOLER BYPASS VALVE

(ENGINE SERIAL NO. -156313)

RGP1785 -UN-01JAN94



| KEY | PART NO. | PART NAME | QTY | ENGINE SERIAL NO. | REMARKS |
|-----|----------|------------|-----|-------------------|---------|
| 1 | R40236 | CAP SCREW | 2 | | |
| 2 | R78134 | HOUSING | 1 | | |
| 3 | R65055 | GASKET | 1 | | |
| 4 | R49464 | VALVE | 1 | | |
| 5 | R26151 | SPRING | 1 | | |
| 6 | U17409 | O-RING | 1 | | |
| 7 | 34H313 | SPRING PIN | 1 | 1/4" X 1-1/8" | |
| 8 | R49465 | DRAIN PLUG | 1 | | |
| 9 | R71732 | O-RING | 4 | | |
| 10 | R50386 | OIL TUBE | 1 | | |
| 11 | R62952 | OIL TUBE | 1 | | |

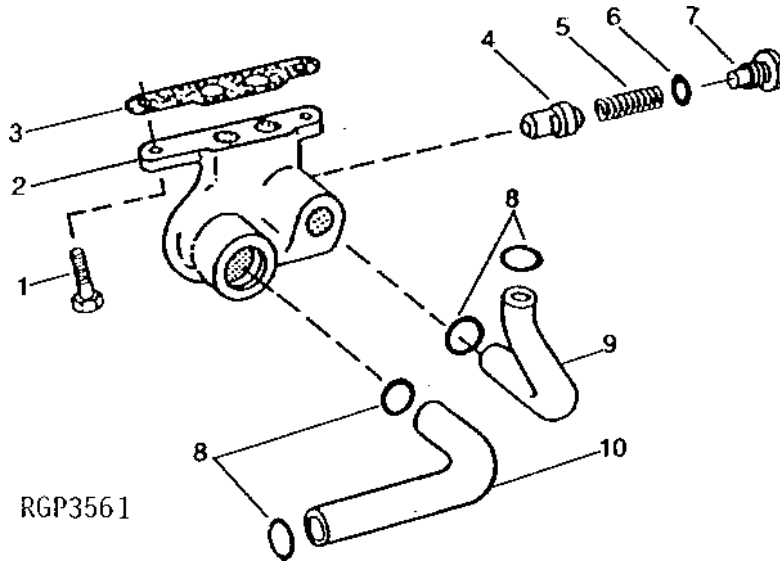
1E21

6076 ENGINE (ENGINE SERIAL NUMBER -499999)

ENGINE OIL COOLER BYPASS VALVE

(ENGINE SERIAL NO. 156314-499999)

RGP3561 -UN-01JAN94

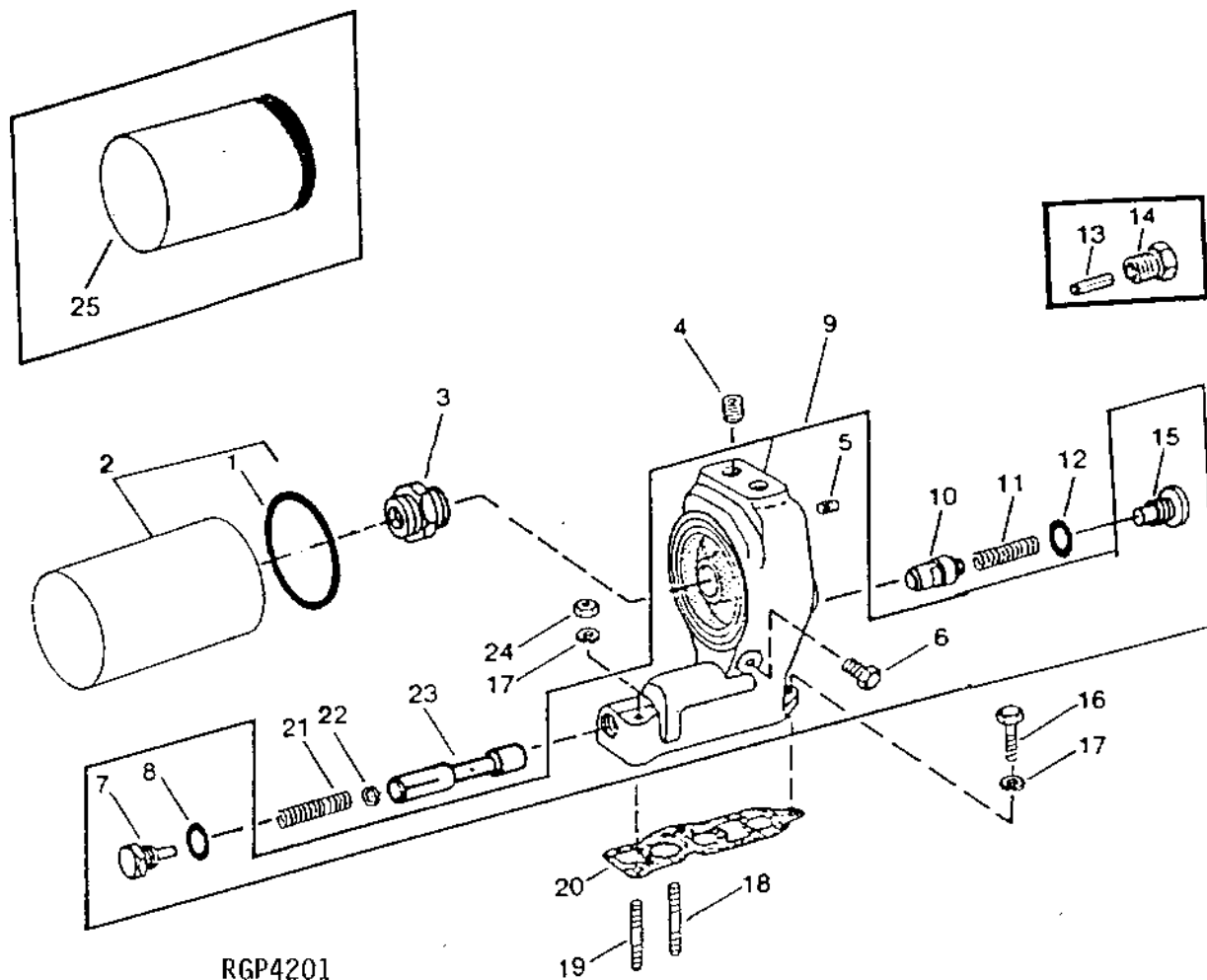


| KEY | PART NO. | PART NAME | QTY | ENGINE SERIAL NO. | REMARKS |
|-----|----------|-----------|-----|-------------------|---------|
| 1 | R40236 | CAP SCREW | 2 | | |
| 2 | R78134 | HOUSING | 1 | | |
| 3 | R65055 | GASKET | 1 | | |
| 4 | R49464 | VALVE | 1 | | |
| 5 | R26151 | SPRING | 1 | | |
| 6 | U17409 | O-RING | 1 | | |
| 7 | R86875 | FITTING | 1 | | |
| 8 | R71732 | O-RING | 4 | | |
| 9 | R50386 | OIL TUBE | 1 | | |
| 10 | R62952 | OIL TUBE | 1 | | |

1E22

6076 ENGINE (ENGINE SERIAL NUMBER -499999)

ENGINE OIL FILTER AND HOUSING
(ENGINE SERIAL NO. -499999)
RGP4201 -UN-01JAN94



RGP4201

1E23

6076 ENGINE (ENGINE SERIAL NUMBER -499999)

ENGINE OIL FILTER AND HOUSING - CONTINUED
(ENGINE SERIAL NO. -499999)

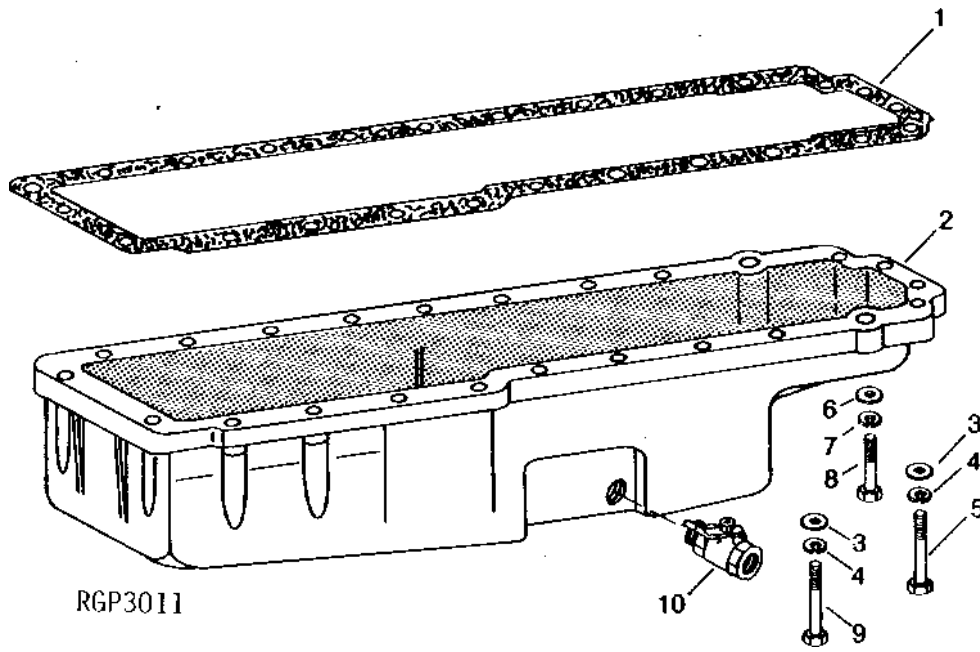
| KEY | PART NO. | PART NAME | QTY | ENGINE SERIAL NO. | REMARKS |
|-----|----------|-------------|-----|-------------------|---|
| 1 | R43660 | PACKING | 1 | | (USE WITH AR98329 OR RE57394) |
| 2 | AR101278 | OIL FILTER | 1 | | (MARKED AR98329) (SUB RE57394) |
| | RE57394 | OIL FILTER | 1 | | (MARKED RE57394) |
| 3 | R104621 | ADAPTER | 1 | | (USE WITH AR98329) (SUB FOR R73913, THIS APPLICATION) |
| 4 | 15H690 | PIPE PLUG | 2 | | 3/4" |
| 5 | R104592 | PIPE PLUG | 1 | | |
| 6 | R55233 | PIPE PLUG | 1 | | |
| 7 | AR105510 | DRAIN PLUG | 1 | | |
| 8 | U17409 | O-RING | 1 | | |
| 9 | RE24706 | HOUSING | 1 | | (MARKED R84946) |
| 10 | R49464 | VALVE | 1 | | |
| 11 | R26151 | SPRING | 1 | | |
| 12 | U17409 | O-RING | 1 | | |
| 13 | 34H313 | SPRING PIN | 1 | -156313 | |
| 14 | R49465 | DRAIN PLUG | 1 | -156313 | |
| 15 | R86875 | FITTING | 1 | 156314- | |
| 16 | 19H3219 | CAP SCREW | 1 | | 3/8" X 1-3/8" |
| 17 | 12H304 | LOCK WASHER | 3 | | 3/8", (NOT REQUIRED WITH E55662) |
| 18 | R106859 | STUD | 1 | | (SUB FOR F3646R OR R26622, THIS APPLICATION) |
| 19 | R55395 | STUD | 1 | | |
| 20 | R43774 | GASKET | 1 | | |
| 21 | R43548 | SPRING | 1 | | |
| 22 | U40750 | WASHER | AR | | |
| 23 | R84947 | VALVE | 1 | | (USE WITH R84946) |
| 24 | E55662 | FLANGE NUT | 2 | | |
| 25 | RE46380 | OIL FILTER | 1 | | (MARKED RE46380) (SUB RE57394) |

MEMORANDA

1E24

6076 ENGINE (ENGINE SERIAL NUMBER -499999)

OIL PAN
RGP3011 -UN-01JAN94

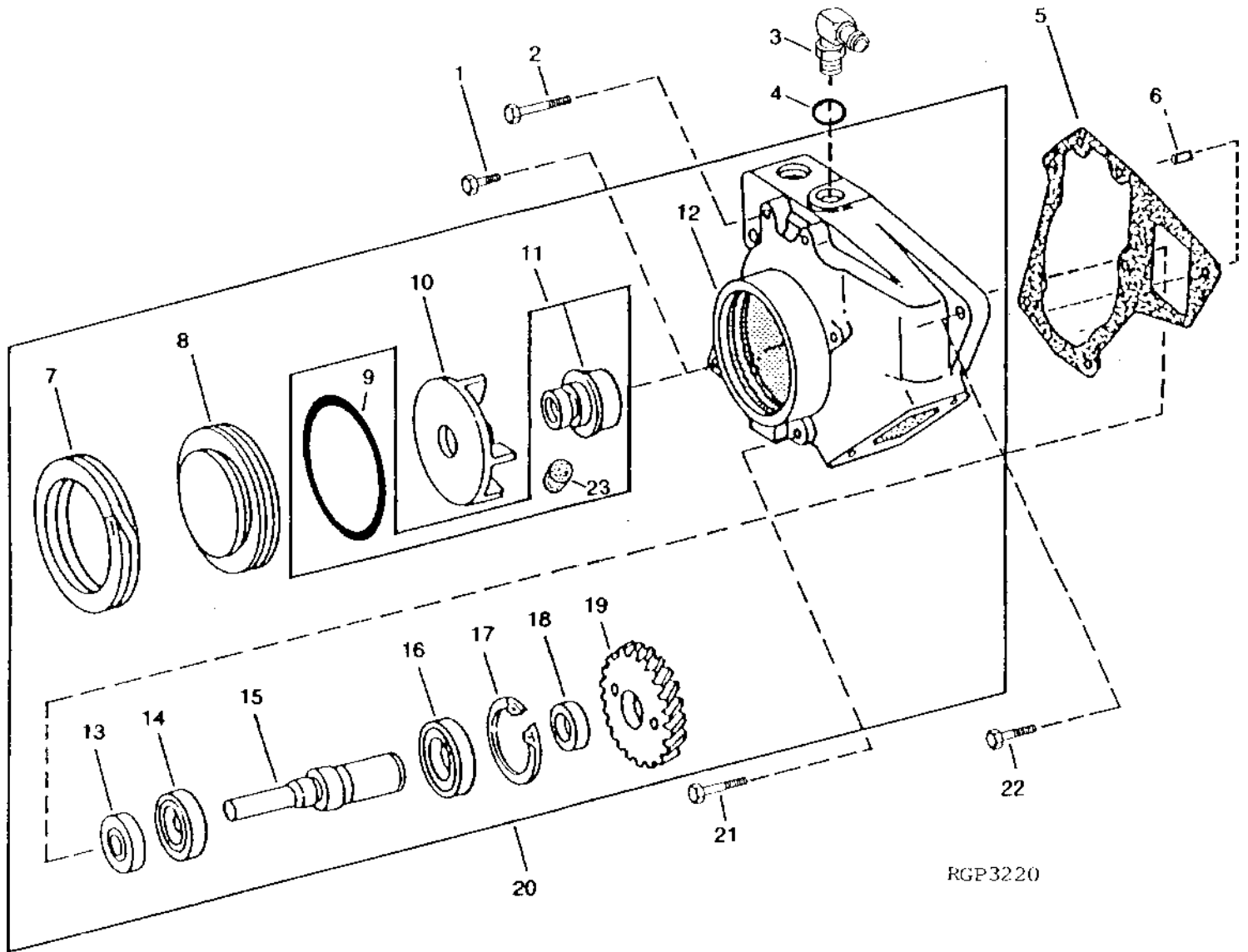


| KEY | PART NO. | PART NAME | QTY | ENGINE SERIAL NO. | REMARKS |
|-----|----------|-------------|-----|-------------------|--------------------------|
| 1 | R49377 | GASKET | 1 | | |
| 2 | R94338 | OIL PAN | 1 | | |
| 3 | 24H1305 | WASHER | 22 | | 13/32" X 13/16" X 0.065" |
| 4 | 12H304 | LOCK WASHER | 22 | | 3/8" |
| 5 | 19H3485 | CAP SCREW | 4 | | 3/8" X 2" |
| 6 | 24H1756 | WASHER | 2 | | 1/2" X 1" X 0.060" |
| 7 | 12H301 | LOCK WASHER | 2 | | 1/2" |
| 8 | 19H2473 | CAP SCREW | 2 | | 1/2" X 1-3/4" |
| 9 | 19H3267 | CAP SCREW | 18 | | 3/8" X 1-5/8" |
| 10 | RE32856 | VALVE | 1 | | |

1F1

6076 ENGINE (ENGINE SERIAL NUMBER -499999)

WATER PUMP
(ENGINE SERIAL NO. -499999)
RGP3220 -UN-01JAN94



RGP3220

1F2

6076 ENGINE (ENGINE SERIAL NUMBER -499999)

WATER PUMP - CONTINUED
(ENGINE SERIAL NO. -499999)

| KEY | PART NO. | PART NAME | QTY | ENGINE SERIAL NO. | REMARKS |
|-----|----------|---------------|-----|-------------------|--|
| 1 | R39305 | CAP SCREW | 2 | | |
| 2 | 19H2104 | CAP SCREW | 3 | | 3/8" X 5" |
| 3 | AR52206 | ELBOW FITTING | 1 | | |
| 4 | R26906 | O-RING | 1 | | |
| 5 | R71315 | GASKET | 1 | | |
| 6 | R71583 | DOWEL PIN | 2 | | (USE WITH R87570 ONLY) |
| 7 | R78696 | SNAP RING | 1 | | |
| 8 | R71226 | COVER | 1 | | |
| 9 | R71596 | O-RING | 1 | | |
| 10 | R71225 | IMPELLER | 1 | | |
| 11 | RE69844 | KIT | 1 | | (SUB FOR RE24772 OR RE55992) |
| 12 | R83561 | HOUSING | 1 | | |
| 13 | AR93518 | SEAL | 1 | -131266 | (SUB RE39134) |
| | RE39134 | SEAL | 1 | 131267- | |
| 14 | JD10363 | BALL BEARING | 1 | | (FRONT) |
| 15 | | SHAFT | 1 | | (SUB RG19279, APPL) |
| 16 | JD10362 | BALL BEARING | 1 | | (REAR) |
| 17 | R71228 | RING | 1 | | |
| 18 | R70964 | WASHER | 1 | | |
| 19 | R87634 | GEAR | 1 | | (A) (MARKED R87634) (WIDE GEAR TRAIN) |
| | R71037 | GEAR | 1 | | (B) (NARROW GEAR TRAIN) |
| 20 | RE28368 | WATER PUMP | 1 | -131266 | (A) (MARKED R83561) (SUB RE55986) |
| | RE55986 | WATER PUMP | 1 | 131267- | (A) (MARKED R83561) (SUB FOR RE28368 OR RE43132) |
| | RE55986 | WATER PUMP | 1 | | (B) (MARKED R83561) (SUB FOR RE43131) |
| 21 | 19H2996 | CAP SCREW | 1 | | 5/16" X 5" |
| 22 | 19H2023 | CAP SCREW | 1 | | 3/8" X 3-1/4" |
| 23 | R98527 | FILTER | 1 | | (WEEP HOLE) |

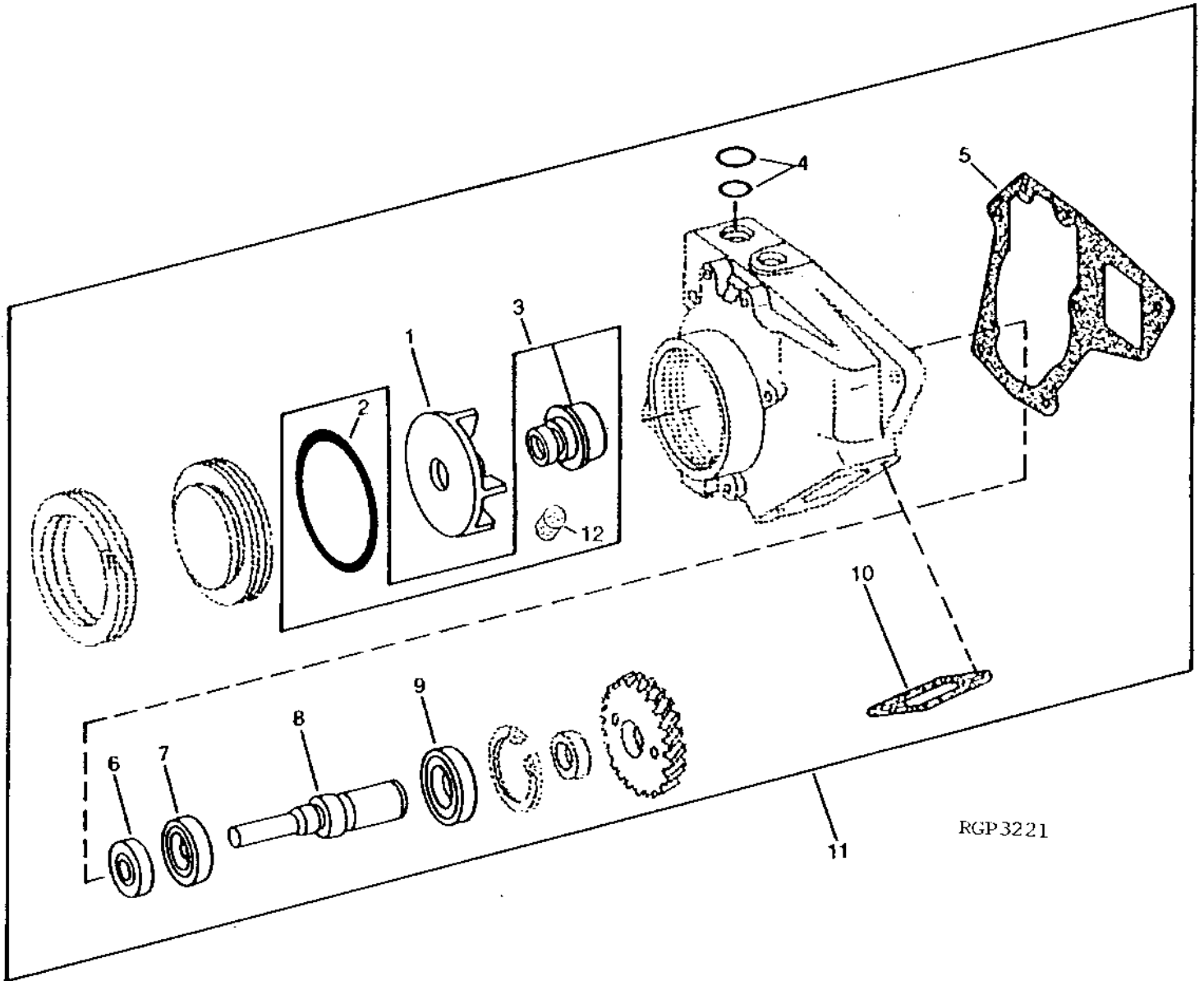
(A) - TH001, HH001 OR HH004

(B) - HH003

1F3

6076 ENGINE (ENGINE SERIAL NUMBER -499999)

WATER PUMP REPAIR KIT
(ENGINE SERIAL NO. -499999)
RGP3221 -UN-01JAN94



RGP 3221

1F4

6076 ENGINE (ENGINE SERIAL NUMBER -499999)

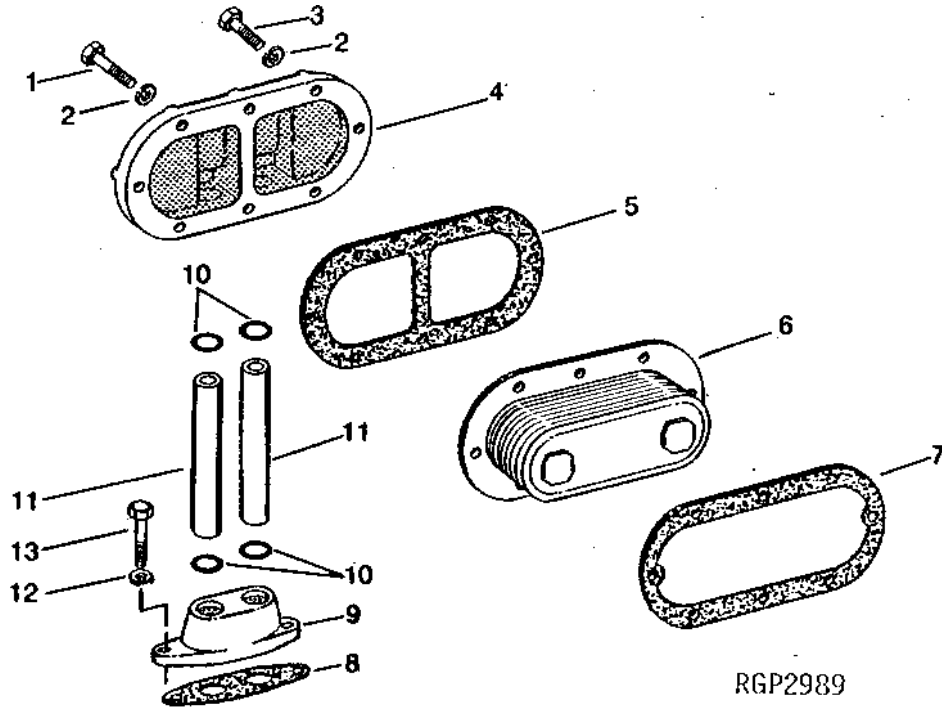
WATER PUMP REPAIR KIT - CONTINUED
(ENGINE SERIAL NO. -499999)

| KEY | PART NO. | PART NAME | QTY | ENGINE SERIAL NO. | REMARKS |
|-----|----------|--------------|-----|-------------------|---------------------------------------|
| 1 | R71225 | IMPELLER | 1 | | |
| 2 | R71596 | O-RING | 1 | | |
| 3 | RE69844 | KIT | 1 | | (SUB FOR RE24772 OR RE55992) |
| 4 | R47153 | O-RING | 2 | | |
| 5 | R71315 | GASKET | 1 | | |
| 6 | AR93518 | SEAL | 1 | -131266 | (SUB RE39134) |
| | RE39134 | SEAL | 1 | 131267- | |
| 7 | JD10363 | BALL BEARING | 1 | | (FRONT) |
| 8 | | SHAFT | 1 | | (SUB RE69847, APPL) |
| 9 | JD10362 | BALL BEARING | 1 | | (REAR) |
| 10 | R71361 | GASKET | 1 | | |
| 11 | RE23295 | KIT | 1 | -131266 | (SUB RE69847) |
| | RG19279 | KIT | 1 | 131267- | (SUB RE69847) |
| | RE69847 | KIT | 1 | | (SUB FOR RE23295, RG19279 OR RE55994) |
| 12 | R98527 | FILTER | 1 | | (WEEP HOLE) |

1F5

6076 ENGINE (ENGINE SERIAL NUMBER -499999)

ENGINE OIL COOLER
 (ENGINE SERIAL NO. -499999)
 RGP2989 -UN-01JAN94



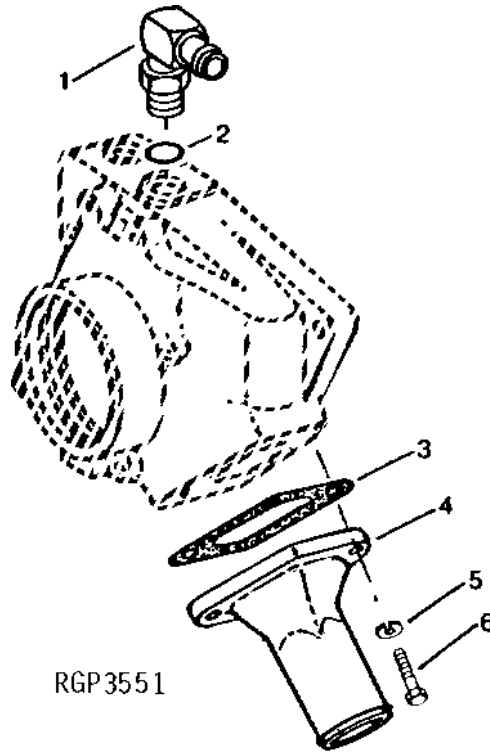
| KEY | PART NO. | PART NAME | QTY | ENGINE SERIAL NO. | REMARKS |
|-----|----------|-------------|-----|---|---------|
| 1 | 19H2703 | CAP SCREW | 1 | 5/16" X 2-1/8" | |
| 2 | 12H303 | LOCK WASHER | 8 | 5/16", (NO LONGER REQUIRED WITH 19H2703 OR 19H2661) | |
| | 24H1136 | WASHER | 1 | (A) 11/32" X 11/16" X 0.065" | |
| 3 | 19H2661 | CAP SCREW | 7 | 5/16" X 1-3/8" | |
| 4 | R51283 | COVER | 1 | | |
| 5 | R50419 | GASKET | 1 | | |
| 6 | AR55394 | OIL COOLER | 1 | | |
| 7 | AR58952 | GASKET | 1 | | |
| 8 | R50424 | GASKET | 1 | | |
| 9 | R50423 | ADAPTER | 1 | | |
| 10 | R47153 | O-RING | 4 | | |
| 11 | R51053 | OIL TUBE | 2 | | |
| 12 | 12H304 | LOCK WASHER | 2 | 3/8" | |
| 13 | 19H1732 | CAP SCREW | 2 | 3/8" X 1-1/4" | |
| .. | T32231 | CLAMP | 1 | (A) | |

(A) USED WITH 19H2703

1F6

6076 ENGINE (ENGINE SERIAL NUMBER -499999)

WATER PUMP INLET HOUSING
(ENGINE SERIAL NO. -499999)
RGP3551 -UN-01JAN94



RGP3551

| KEY | PART NO. | PART NAME | QTY | ENGINE SERIAL NO. | REMARKS |
|-----|----------|---------------|-----|-------------------|---------|
| 1 | AR52206 | ELBOW FITTING | 1 | | |
| 2 | R26906 | O-RING | 1 | | |
| 3 | R71361 | GASKET | 1 | | |
| 4 | R93953 | FILLER NECK | 1 | | |
| 5 | 12M7065 | LOCK WASHER | 2 | 8.100 MM | |
| 6 | 19M7513 | CAP SCREW | 2 | M8 X 30 | |

1F7

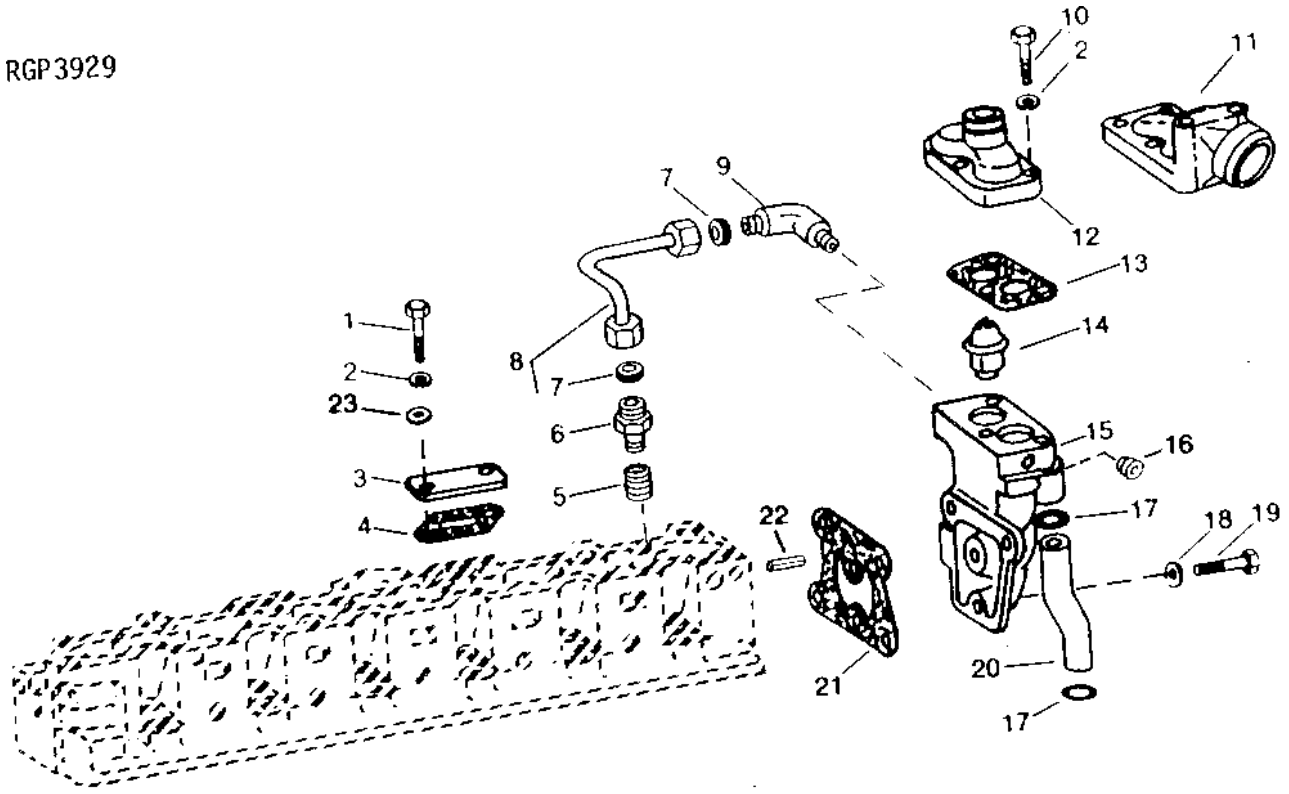
6076 ENGINE (ENGINE SERIAL NUMBER -499999)

WATER MANIFOLD AND THERMOSTAT (190HP 6076TH001) OR (235HP/HH004, 253HP/HH001)

(ENGINE SERIAL NO. -499999)

RGP3929 -UN-01JAN94

RGP3929



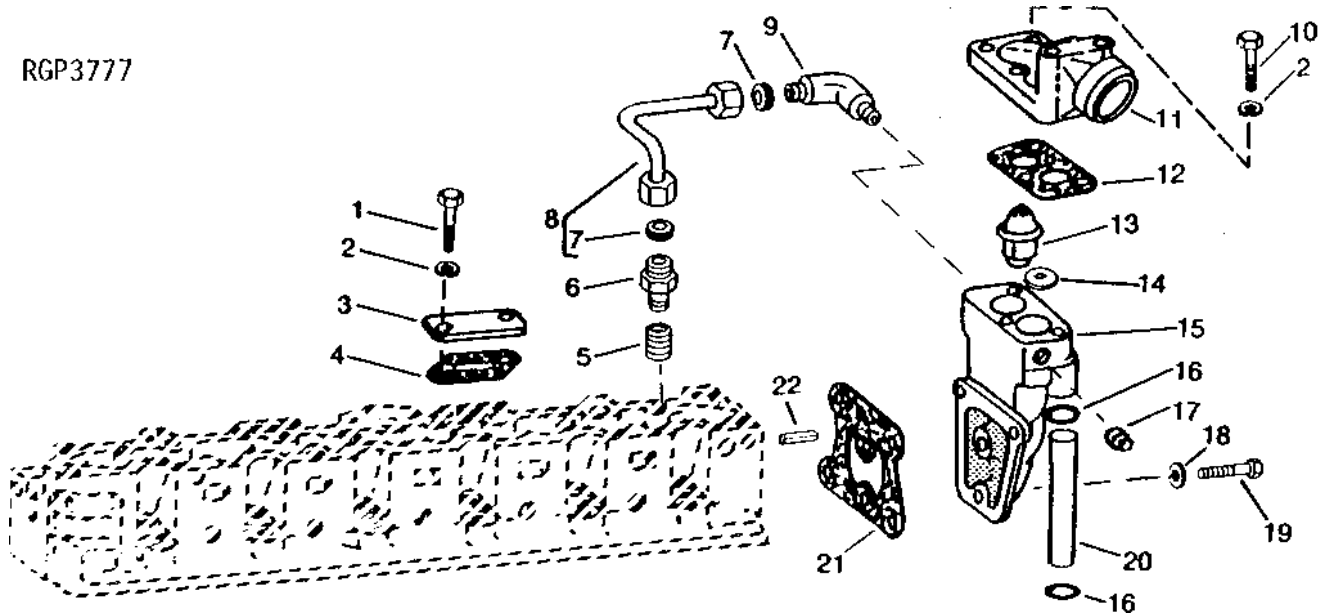
| KEY | PART NO. | PART NAME | QTY | ENGINE SERIAL NO. | REMARKS |
|-----|----------|---------------|-----|--|--|
| 1 | 19H2284 | CAP SCREW | 4 | 3/8" X 7/8" | |
| 2 | 12H304 | LOCK WASHER | 3 | 3/8", (USE WITH 19H3219) | |
| 3 | R86061 | STRAP | 2 | | |
| 4 | R88397 | GASKET | 2 | | |
| 5 | 15H691 | PIPE BUSHING | 1 | 101212- | |
| 6 | R63604 | FITTING | 1 | 101212- | |
| 7 | R51936 | PACKING | 2 | 101212- | |
| 8 | RE38682 | LINE | 1 | 101212- | |
| 9 | R67364 | ELBOW FITTING | 1 | | |
| 10 | 19H3219 | CAP SCREW | 3 | 3/8" X 1-3/8" | |
| 11 | R89439 | COVER | 1 | (HH001, TH001, HH004) | |
| 12 | R86007 | COVER | NA | | |
| 13 | R46479 | GASKET | 1 | | |
| 14 | AR48675 | THERMOSTAT | 2 | 82°C (180°F) | |
| 15 | R91604 | MANIFOLD | 1 | -XXXXXX | (HH001, TH001) |
| | R99864 | MANIFOLD | 1 | XXXXXX- | (HH001, TH001, HH004) (MARKED R99864 OR R105578) |
| 16 | 15H665 | PIPE PLUG | 1 | 3/4", (USE WITH R91604) | |
| | 15H584 | PIPE PLUG | 2 | 101212- | 1/2" NPT, (USE WITH R99864) |
| | 15H690 | PIPE PLUG | 1 | 101212- | 3/4", (USE WITH R99864) |
| 17 | R47153 | O-RING | 2 | | |
| 18 | R57696 | WASHER | 3 | 9.931 X 23.114 X 3.048 MM (25/64" X 0.910" X 0.120") | |
| 19 | 19H3217 | CAP SCREW | 3 | 3/8" X 1-3/4" | |
| 20 | R89056 | TUBE | 1 | | |
| 21 | R86062 | GASKET | 1 | | |
| 22 | 34H329 | SPRING PIN | 1 | 5/16" X 1-1/4" | |
| 23 | 24H1305 | WASHER | 4 | 13/32" X 13/16" X 0.065" | |

1F8

6076 ENGINE (ENGINE SERIAL NUMBER -499999)

WATER MANIFOLD AND THERMOSTAT
(6076HH003) (215HP)
(ENGINE SERIAL NO. -499999)
 RGP3777 -UN-01JAN94

RGP3777

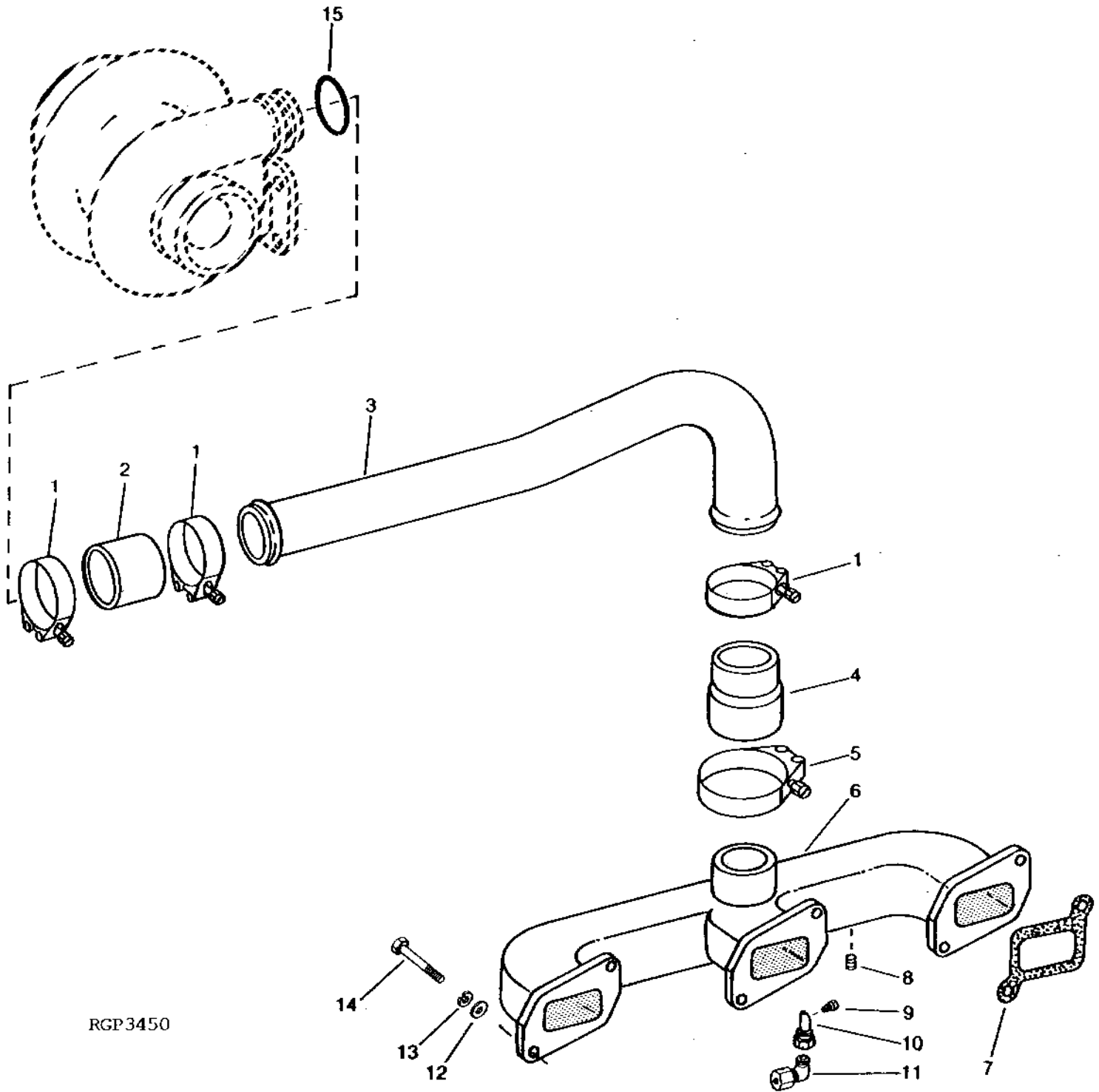


| KEY | PART NO. | PART NAME | QTY | ENGINE SERIAL NO. | REMARKS |
|-----|----------|---------------|-----|--|---------|
| 1 | 19H2284 | CAP SCREW | 2 | 3/8" X 7/8" (FRONT) | |
| | 19H1732 | CAP SCREW | 2 | 3/8" X 1-1/4" (REAR) | |
| 2 | 12H304 | LOCK WASHER | 3 | 3/8", (USE WITH 19H3219) | |
| | 24H1305 | WASHER | 4 | 13/32" X 13/16" X 0.065", (USE WITH 19H2284 AND 19H1732) | |
| 3 | R86061 | STRAP | 2 | | |
| 4 | R88397 | GASKET | 2 | | |
| 5 | 15H691 | PIPE BUSHING | 1 | | |
| 6 | R63604 | FITTING | 1 | | |
| 7 | R51936 | PACKING | 2 | | |
| 8 | RE38682 | LINE | 1 | | |
| 9 | R67364 | ELBOW FITTING | 1 | | |
| 10 | 19H3219 | CAP SCREW | 2 | 3/8" X 1-3/8" | |
| | 19H1912 | CAP SCREW | 1 | 3/8" X 3-1/2" | |
| 11 | R89439 | COVER | 1 | | |
| 12 | R46479 | GASKET | 1 | | |
| 13 | AR48675 | THERMOSTAT | 2 | 82°C (180°F) | |
| 14 | R77673 | O-RING | 1 | | |
| 15 | R99622 | MANIFOLD | 1 | | |
| 16 | R47153 | O-RING | 2 | | |
| 17 | 15H690 | PIPE PLUG | 1 | 3/4" | |
| 18 | R57696 | WASHER | 3 | 9.931 X 23.114 X 3.048 MM (25/64" X 0.910" X 0.120") | |
| 19 | 19H3217 | CAP SCREW | 3 | 3/8" X 1-3/4" | |
| 20 | R86063 | TUBE | 1 | | |
| 21 | R86062 | GASKET | 1 | | |
| 22 | 34H329 | SPRING PIN | 1 | 5/16" X 1-1/4" | |

1F9

6076 ENGINE (ENGINE SERIAL NUMBER -499999)

INTAKE MANIFOLD
(ENGINE SERIAL NO. -499999)
RGP3450 -UN-01JAN94



RGP3450

1F10

6076 ENGINE (ENGINE SERIAL NUMBER -499999)

INTAKE MANIFOLD - CONTINUED
(ENGINE SERIAL NO. -499999)

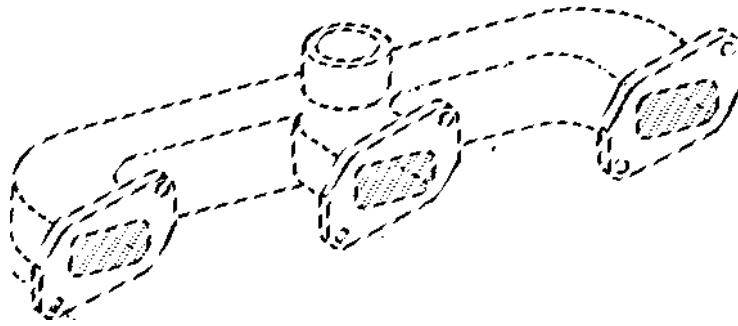
| KEY | PART NO. | PART NAME | QTY | ENGINE SERIAL NO. | REMARKS |
|-----|----------|-----------------|-----|-------------------|---|
| 1 | AT37693 | HOSE CLAMP | 3 | (A) | |
| 2 | R90979 | HOSE | 1 | (A) | 76 MM X 51 MM (3" X 2") |
| 3 | R86156 | TUBE | 1 | (A) | |
| 4 | R90980 | HOSE | 1 | (A) | |
| 5 | AT37478 | HOSE CLAMP | 1 | (A) | |
| 6 | R89790 | INTAKE MANIFOLD | 1 | | (MARKED R89790 OR R104706) (SUB R104592, R134429 AND 15H690) |
| | R104592 | PIPE PLUG | 1 | | |
| | R134429 | INTAKE MANIFOLD | 1 | | |
| | 15H690 | PIPE PLUG | 1 | | |
| 7 | R120646 | GASKET | 3 | | (SUB FOR R87316 OR R102838, APPL) |
| 8 | 15H666 | PIPE PLUG | 1 | | 3/8" |
| 9 | R28583 | NOZZLE | 1 | | |
| 10 | R47160 | NOZZLE HOLDER | 1 | | |
| 11 | RE21790 | ELBOW FITTING | 1 | | (SUB FOR AT25266) |
| 12 | 24H1682 | WASHER | 6 | | 13/32" X 7/8" X 0.120" |
| 13 | 12H304 | LOCK WASHER | 6 | | 3/8", (NO LONGER REQUIRED) |
| 14 | 19H1800 | CAP SCREW | 6 | | 3/8" X 1-1/2" |
| 15 | R86743 | O-RING | 1 | | |
| .. | T32231 | CLAMP | 1 | | (LOWER REAR) |

(A) USED ON 6076TH001

1F11

6076 ENGINE (ENGINE SERIAL NUMBER -499999)

INTAKE MANIFOLD ADAPTER
(ENGINE SERIAL NO. 147639-165935)
RGP3768 -UN-01JAN94



RGP3768

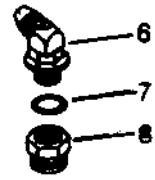
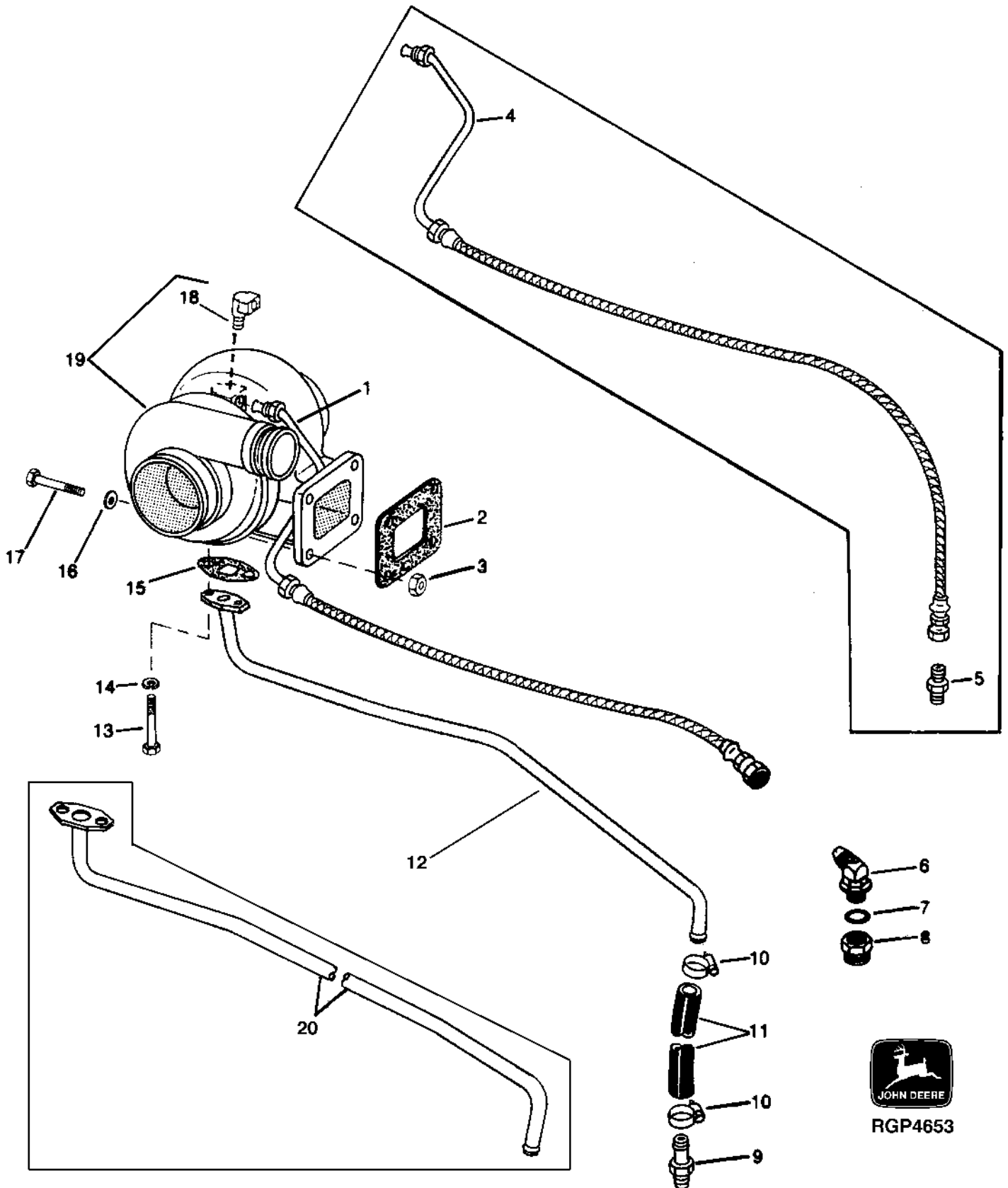
| KEY | PART NO. | PART NAME | QTY | ENGINE SERIAL NO. | REMARKS |
|-----|----------|-----------|-----|-------------------|---------|
| 1 | RE37229 | CLAMP | 1 | | |
| 2 | R114085 | ADAPTER | 1 | | |

MEMORANDA

1F12

6076 ENGINE (ENGINE SERIAL NUMBER -499999)

TURBOCHARGER AND OIL LINES
(ENGINE SERIAL NO. -499999)
RGP4653 -UN-28MAR96



RGP4653

1F13

6076 ENGINE (ENGINE SERIAL NUMBER -499999)

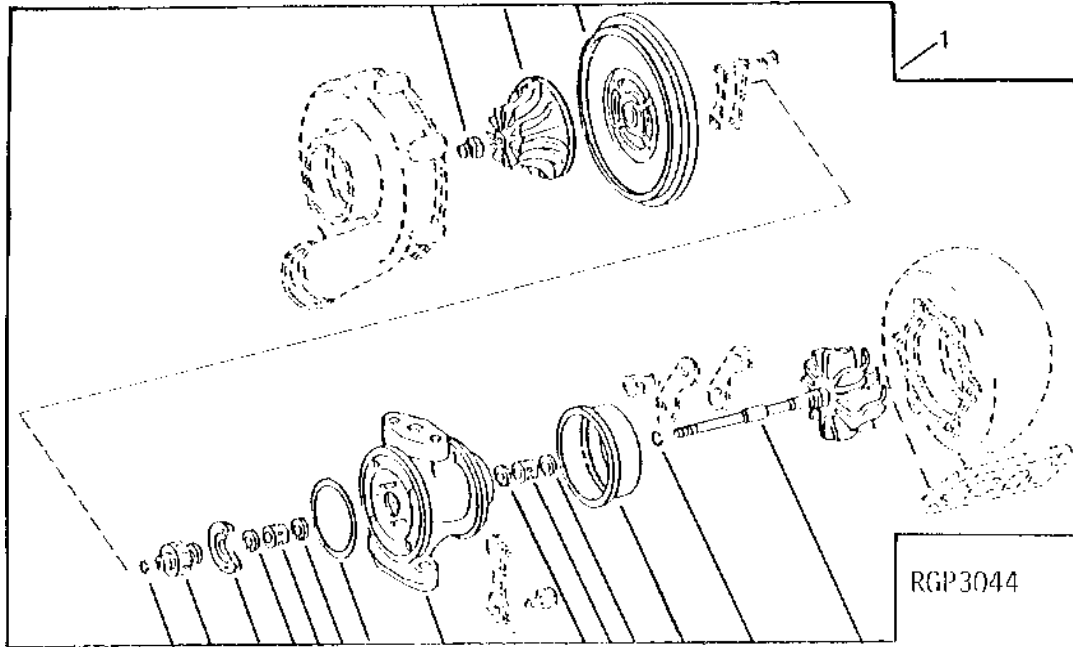
TURBOCHARGER AND OIL LINES - CONTINUED
(ENGINE SERIAL NO. -499999)

| KEY | PART NO. | PART NAME | QTY | ENGINE SERIAL NO. | REMARKS |
|-----|----------|--------------------|-----|-------------------|---|
| 1 | RE55511 | OIL LINE | 1 | 143836- | (INLET) (SUB FOR RE43978) |
| 2 | R92097 | GASKET | 1 | | |
| 3 | E55662 | FLANGE NUT | 4 | | |
| 4 | RE30635 | OIL LINE | 1 | -143835 | (INLET) (SUB RE55511, RE45557, R108691 AND R26448) |
| 5 | R62239 | FITTING | 1 | -143835 | (USE WITH RE30635) |
| 6 | RE45557 | ELBOW FITTING | 1 | 143836- | |
| 7 | R26448 | O-RING | 1 | 143836- | |
| 8 | R108691 | ADAPTER | 1 | 143836- | |
| 9 | R39503 | FITTING | 1 | | |
| 10 | TY22467 | CLAMP | 2 | | (SUB FOR AR21839) |
| 11 | R87682 | HOSE | 1 | | |
| 12 | RE68396 | OIL LINE | 1 | | (RETURN) |
| 13 | R122618 | SCREW | 2 | | |
| 14 | 12H304 | LOCK WASHER | 2 | | 3/8", (NO LONGER REQUIRED) |
| 15 | R105346 | GASKET | 1 | | (SUB FOR R43416 OR R97349) |
| 16 | 24H1305 | WASHER | 4 | | 13/32" X 13/16" X 0.065" |
| 17 | R100747 | SELF-LOCKING SCREW | 4 | | (SUB FOR R54500, APPL.) |
| 18 | T11180 | ELBOW FITTING | 1 | | |
| 19 | RE36285 | TURBOCHARGER | 1 | | REMANUFACTURED (GARRETT/AIRESEARCH) (MARKED RE25998) |
| | RE38345 | TURBOCHARGER | 1 | | REMANUFACTURED (SCHWITZER) (MARKED RE30562) (SUB RE36285) |
| 20 | RE25665 | OIL LINE | 1 | | (RETURN) (SUB RE68396) |

1F14

6076 ENGINE (ENGINE SERIAL NUMBER -499999)

**TURBOCHARGER CENTER HOUSING WITH ROTATING PARTS
(AIRESEARCH) (TH001, HH001, HH003, HH004)**
RGP3044 -UN-01JAN94

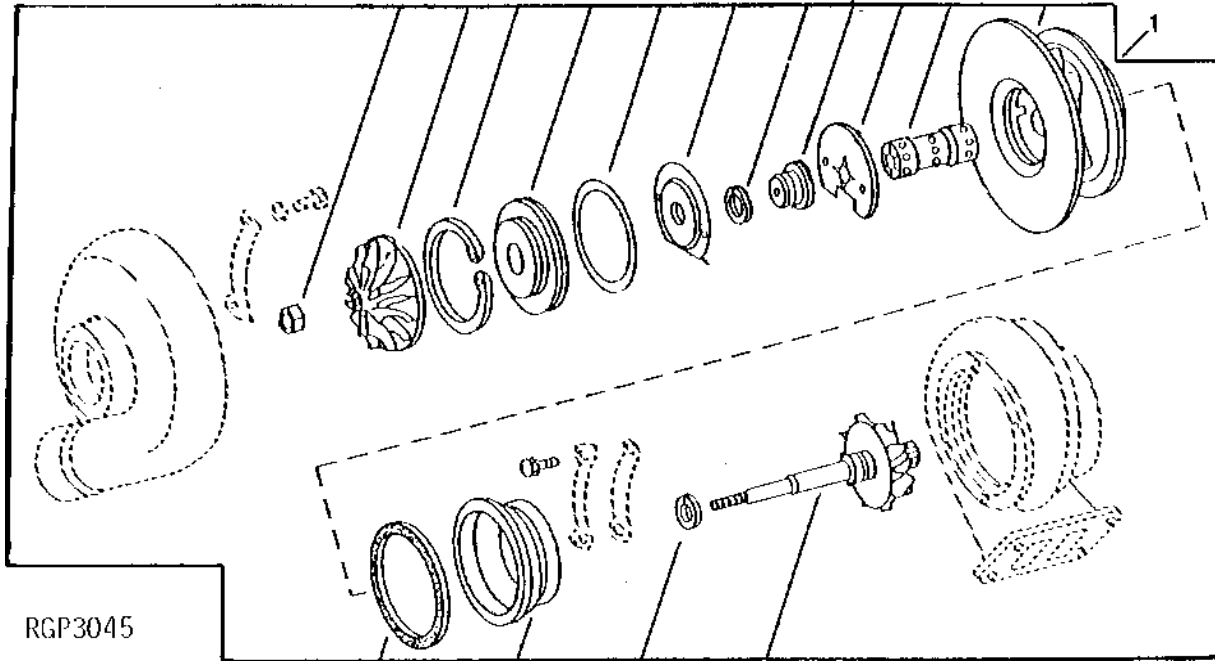


| KEY | PART NO. | PART NAME | QTY | ENGINE SERIAL NO. | REMARKS |
|-----|----------|-----------|-----|-----------------------|---------|
| 1 | RE36038 | HOUSING | 1 | | |
| .. | RE38346 | KIT | 1 | (NO LONGER AVAILABLE) | |

1F15

6076 ENGINE (ENGINE SERIAL NUMBER -499999)

TURBOCHARGER CENTER HOUSING WITH ROTATING PARTS
(SCHWITZER) (TH001, HH001, HH003, HH004)
 RGP3045 -UN-01JAN94



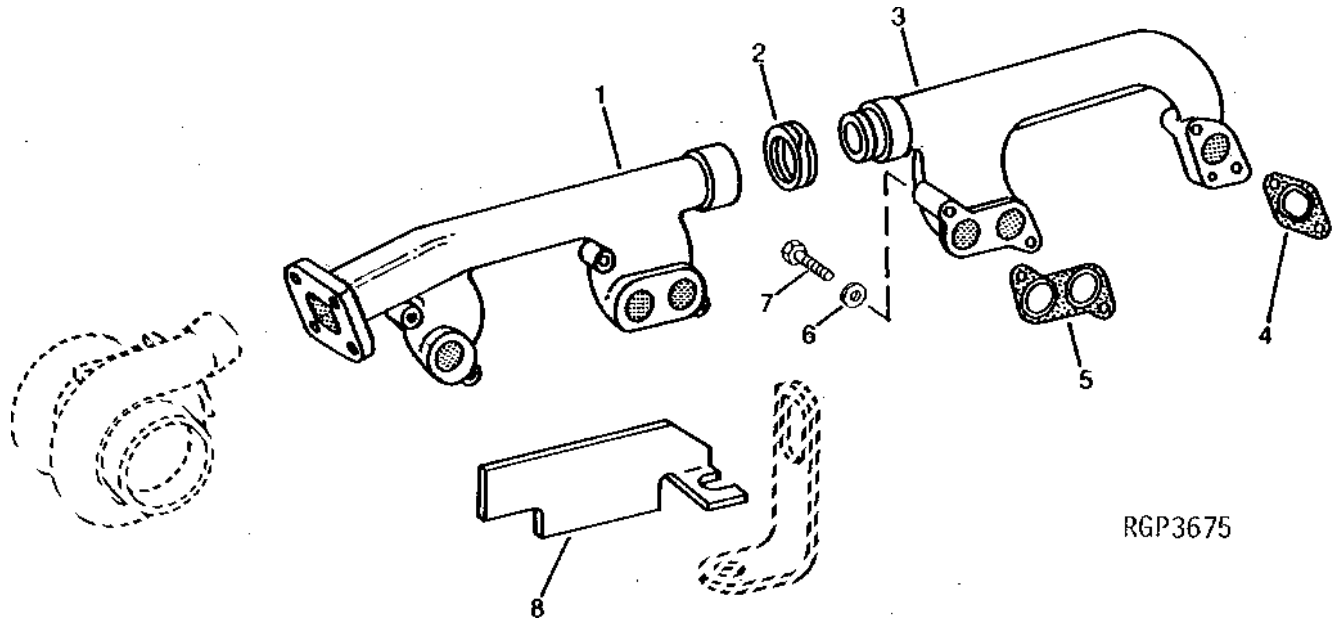
| KEY | PART NO. | PART NAME | QTY | ENGINE SERIAL NO. | REMARKS |
|-----|----------|-----------|-----|-------------------|---------|
| 1 | RE38331 | HOUSING | 1 | (SUB RE36285) | |
| .. | RE38288 | KIT | 1 | (NLA) | |

1F16

6076 ENGINE (ENGINE SERIAL NUMBER -499999)

EXHAUST MANIFOLDS AND HEAT SHIELD

RGP3675 -UN-01JAN94



| KEY | PART NO. | PART NAME | QTY | ENGINE SERIAL NO. | REMARKS |
|-----|----------|------------------|-----|-------------------|------------------|
| 1 | R91519 | MANIFOLD | 1 | | |
| 2 | R122595 | RING | 1 | | (SUB FOR R58109) |
| 3 | R69936 | EXHAUST MANIFOLD | 1 | | |
| 4 | R83021 | GASKET | 2 | | |
| 5 | R83020 | GASKET | 2 | | |
| 6 | R63845 | WASHER | 8 | | |
| 7 | 19H2128 | CAP SCREW | 8 | 3/8" X 3" | |
| 8 | H144260 | SHIELD | 1 | | |

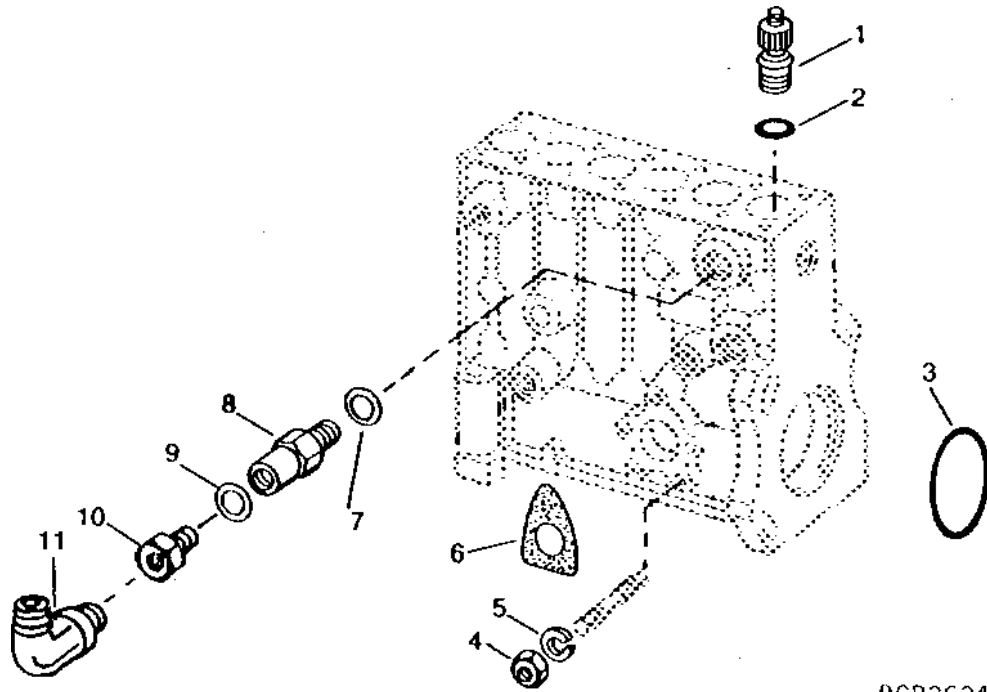
1F17

6076 ENGINE (ENGINE SERIAL NUMBER -499999)

FUEL INJECTION PUMP HOUSING CONNECTORS

(ENGINE SERIAL NO. -499999)

RGP3634 -UN-01JAN94



RGP3634

| KEY | PART NO. | PART NAME | QTY | ENGINE SERIAL NO. | REMARKS |
|-----|----------|---------------|-----|-------------------|-------------------------------------|
| 1 | R99531 | HOLDER | 6 | | |
| 2 | T24210 | O-RING | 6 | | |
| 3 | R53884 | O-RING | 1 | | |
| 4 | T31556 | NUT | 3 | | |
| 5 | T24229 | LOCK WASHER | 3 | | |
| 6 | R67879 | GASKET | 1 | | |
| 7 | R53901 | WASHER | 3 | | |
| 8 | RE36151 | CONTROL VALVE | 1 | | (SUB FOR AR77114, THIS APPLICATION) |
| 9 | R53899 | WASHER | 1 | | |
| 10 | R63016 | ADAPTER | 1 | | |
| 11 | R67364 | ELBOW FITTING | 1 | | |

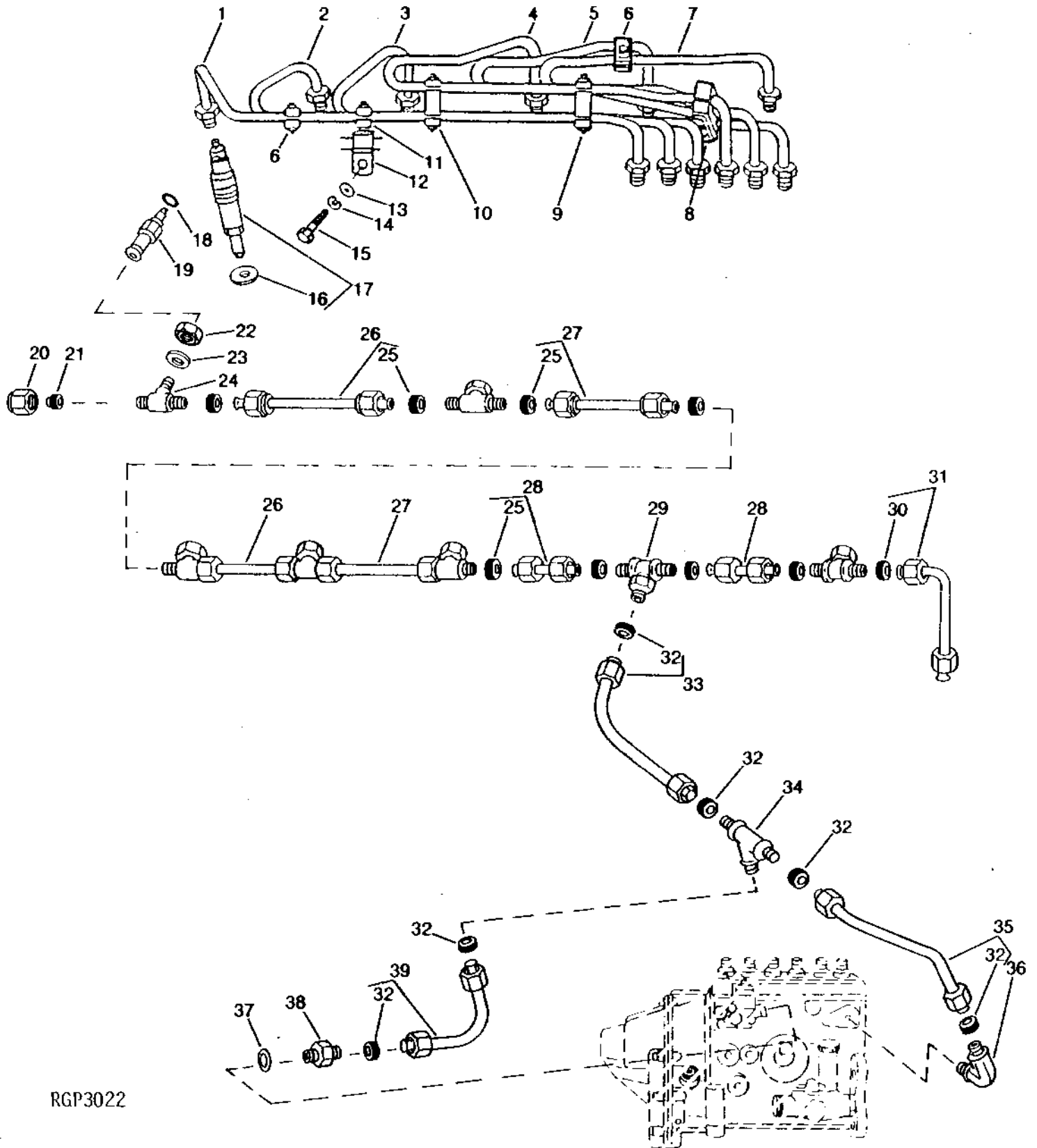
1F18

6076 ENGINE (ENGINE SERIAL NUMBER -499999)

FUEL INJECTION NOZZLES AND LINES (6076HH001, HH004)

(ENGINE SERIAL NO. -165438)

RGP3022 -UN-01JAN94



RGP3022

1F19

6076 ENGINE (ENGINE SERIAL NUMBER -499999)

FUEL INJECTION NOZZLES AND LINES (6076HH001, HH004) - CONTINUED
(ENGINE SERIAL NO. -165438)

| KEY | PART NO. | PART NAME | QTY | ENGINE SERIAL NO. | REMARKS |
|-----|----------|------------------|-----|-------------------|--|
| 1 | RE47728 | FUEL LINE | 1 | -165438 | NO. 6, (SUB FOR RE29512) |
| 2 | RE47727 | FUEL LINE | 1 | -165438 | NO. 5, (SUB FOR RE29511) |
| 3 | RE47726 | FUEL LINE | 1 | -165438 | NO. 4, (SUB FOR RE29510) |
| 4 | RE47725 | FUEL LINE | 1 | -165438 | NO. 3, (SUB FOR RE29509) |
| 5 | R59305 | STRAP | 2 | | |
| | R58186 | CLAMP | 4 | | |
| | R61144 | STRAP | 2 | | |
| | 21H1463 | CAP SCREW | 2 | | 0.190" X 7/8" |
| 6 | RE47724 | FUEL LINE | 1 | -165438 | NO. 2, (SUB FOR RE29508) |
| 7 | RE47723 | FUEL LINE | 1 | -165438 | NO. 1, (SUB FOR RE29507) |
| 8 | R59298 | STRAP | 1 | | |
| | R59297 | HALF CLAMP | 2 | | |
| | R61145 | STRAP | 1 | | |
| | 21H1463 | CAP SCREW | 2 | | 0.190" X 7/8" |
| 9 | R59298 | STRAP | 1 | | |
| | R71212 | CLAMP | 1 | | |
| | R59297 | HALF CLAMP | 2 | | |
| | R61145 | STRAP | 1 | | |
| 10 | R71398 | SCREW | 2 | | 0.190" X 1-1/2" |
| | R59305 | STRAP | 1 | | |
| | R58186 | CLAMP | 1 | | |
| | R74030 | CLAMP | 1 | | |
| | R74804 | CLAMP | 1 | | |
| | R61144 | STRAP | 1 | | |
| | R71398 | SCREW | 1 | | 0.190" X 1-1/2" |
| 11 | R59298 | STRAP | 1 | | |
| | R59297 | HALF CLAMP | 2 | | |
| | 21H1463 | CAP SCREW | 2 | | 0.190" X 7/8" |
| 12 | RE47120 | ABSORBER | 1 | | (SUB FOR RE12766) |
| 13 | 24H1305 | WASHER | 1 | | 13/32" X 13/16" X 0.065" |
| 14 | 12M7066 | LOCK WASHER | 1 | | 10.200 MM |
| 15 | 19M7166 | CAP SCREW | 1 | | M10 X 20 |
| 16 | R84472 | WASHER | 6 | | 7.360 X 18.160 X 2 MM (0.290" X 0.715" X 0.079") |
| 17 | RE25253 | INJECTION NOZZLE | 6 | | (DENSO) (SUB RE52113 AND R84472) |
| | RE52113 | INJECTION NOZZLE | 6 | | |
| | R84472 | WASHER | 6 | | |
| 18 | R77551 | O-RING | 6 | | |
| 19 | R87082 | FITTING | 6 | | (ALSO ORDER R77551) |
| 20 | R51937 | TUBE NUT | 1 | | |
| 21 | AR85519 | PLUG | 1 | | |
| 22 | R79604 | TUBE NUT | 6 | | |
| 23 | R79605 | WASHER | 6 | | |
| 24 | R79606 | TEE FITTING | 6 | | |
| 25 | R51936 | PACKING | 12 | | |
| 26 | RE15807 | FUEL LINE | 2 | | |
| 27 | RE15808 | FUEL LINE | 2 | | |
| 28 | RE36421 | FUEL LINE | 2 | | |
| 29 | R97061 | TEE FITTING | 1 | | |
| 30 | R51936 | PACKING | 5 | | |
| 31 | AR104650 | FUEL LINE | 1 | | |
| 32 | R51936 | PACKING | 1 | | |
| 33 | RE30920 | FUEL LINE | 1 | | |
| 34 | R97061 | TEE FITTING | 1 | | |
| 35 | RE35684 | FUEL LINE | 1 | | |
| 36 | R67364 | ELBOW FITTING | 1 | | |
| 37 | R48693 | WASHER | 1 | | |
| 38 | R91824 | FITTING | 1 | | |
| 39 | RE30833 | FUEL LINE | 1 | | |

1F20

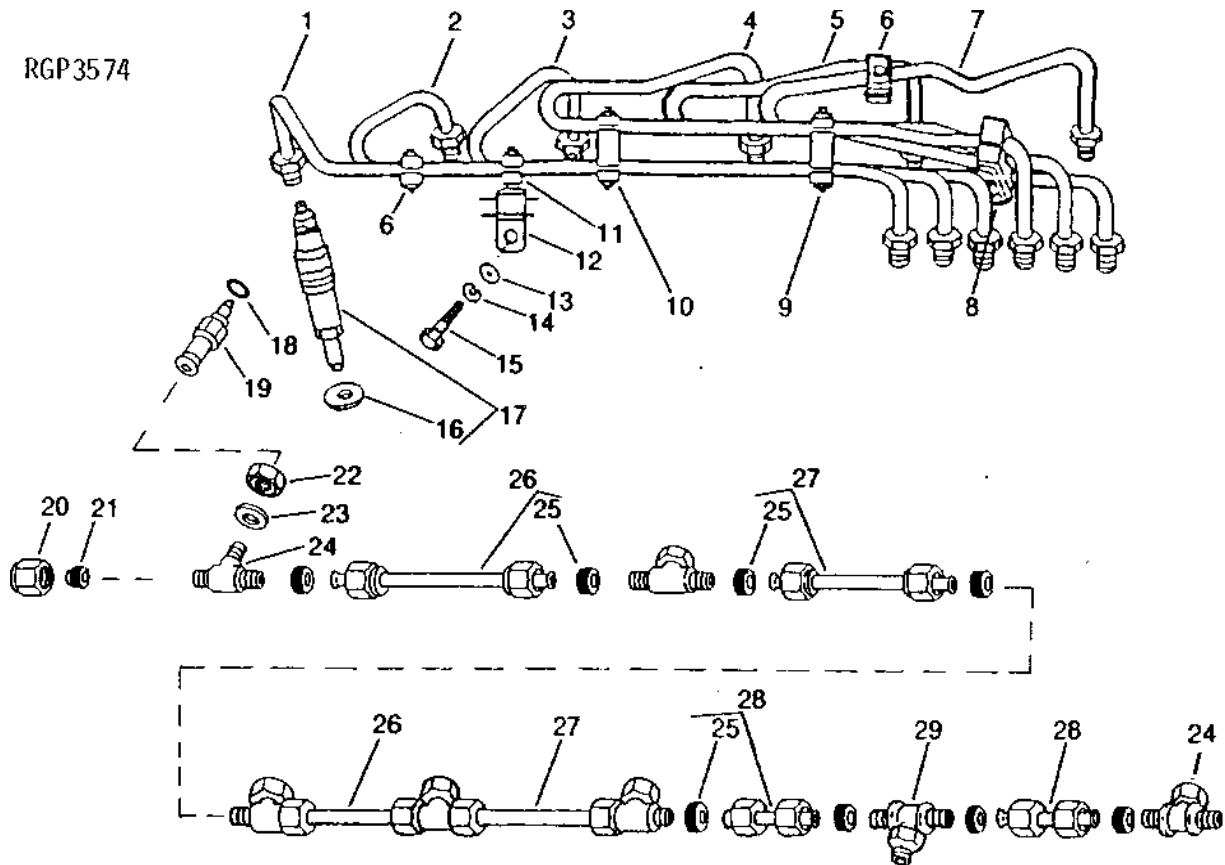
6076 ENGINE (ENGINE SERIAL NUMBER -499999)

FUEL INJECTION NOZZLES AND LINES (HH001 OR HH004)

(ENGINE SERIAL NO. 165439-499999)

RGP3574 -UN-01JAN94

RGP3574



1F21

6076 ENGINE (ENGINE SERIAL NUMBER -499999)

**FUEL INJECTION NOZZLES AND LINES (HH001 OR HH004) - CONTINUED
(ENGINE SERIAL NO. 165439-499999)**

| KEY | PART NO. | PART NAME | QTY | ENGINE SERIAL NO. | REMARKS |
|-----|----------|------------------|-----|--|---------|
| 1 | RE47431 | FUEL LINE | 1 | NO. 6 | |
| 2 | RE47430 | FUEL LINE | 1 | NO. 5 | |
| 3 | RE47429 | FUEL LINE | 1 | NO. 4 | |
| 4 | RE47428 | FUEL LINE | 1 | NO. 3 | |
| 5 | RE47427 | FUEL LINE | 1 | NO. 2 | |
| 6 | R59305 | STRAP | 2 | | |
| | R58186 | CLAMP | 8 | | |
| | R61144 | STRAP | 2 | | |
| | 21H1463 | CAP SCREW | 2 | 0.190" X 7/8" | |
| 7 | RE47426 | FUEL LINE | 1 | NO. 1 | |
| 8 | R59298 | STRAP | 1 | | |
| | R59297 | HALF CLAMP | 2 | | |
| | 21H1463 | CAP SCREW | 2 | 0.190" X 7/8" | |
| 9 | R59298 | STRAP | 1 | | |
| | R71212 | CLAMP | 1 | | |
| | R61145 | STRAP | 1 | | |
| | R71398 | SCREW | 2 | 0.190" X 1-1/2" | |
| 10 | R59305 | STRAP | 2 | | |
| | R58186 | CLAMP | 1 | | |
| | R74030 | CLAMP | 1 | | |
| | R74804 | CLAMP | 1 | | |
| | R61144 | STRAP | 3 | | |
| | R71398 | SCREW | 1 | 0.190" X 1-1/2" | |
| 11 | R59297 | HALF CLAMP | 2 | | |
| | 21H1463 | CAP SCREW | 1 | 0.190" X 7/8" | |
| 12 | RE47120 | ABSORBER | 1 | | |
| 13 | 24H1305 | WASHER | 1 | 13/32" X 13/16" X 0.065" | |
| 14 | 12M7066 | LOCK WASHER | 1 | 10.200 MM | |
| 15 | 19M7166 | CAP SCREW | 1 | M10 X 20 | |
| 16 | R84472 | WASHER | 6 | 7.360 X 18.160 X 2 MM (0.290" X 0.715" X 0.079") | |
| 17 | RE25253 | INJECTION NOZZLE | 6 | (DENSO) (SUB RE25253 AND R84472) | |
| | RE25253 | INJECTION NOZZLE | 6 | | |
| | R84472 | WASHER | 6 | | |
| 18 | R77551 | O-RING | 6 | | |
| 19 | R87082 | FITTING | 6 | (ALSO ORDER R77551) | |
| 20 | R51937 | TUBE NUT | 1 | | |
| 21 | AR85519 | PLUG | 1 | | |
| 22 | R79604 | TUBE NUT | 6 | | |
| 23 | R79605 | WASHER | 6 | | |
| 24 | R79606 | TEE FITTING | 6 | | |
| 25 | R51936 | PACKING | 11 | | |
| 26 | RE15807 | FUEL LINE | 2 | | |
| 27 | RE15808 | FUEL LINE | 2 | | |
| 28 | RE36421 | FUEL LINE | 2 | | |
| 29 | R97061 | TEE FITTING | 2 | | |

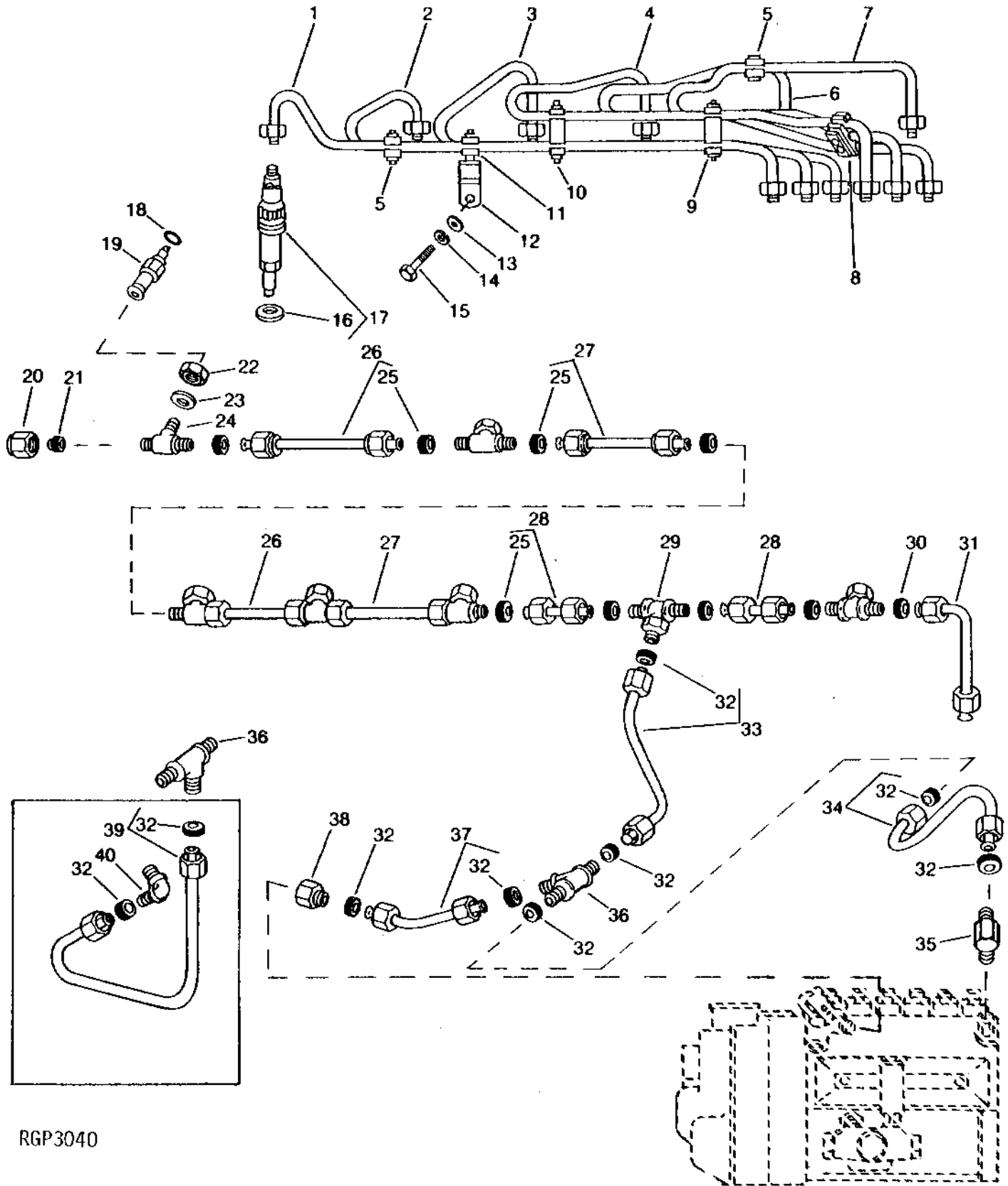
1F22

6076 ENGINE (ENGINE SERIAL NUMBER -499999)

FUEL INJECTION NOZZLES AND LINES (6076TH001 OR HH003)

(ENGINE SERIAL NO. -165438)

RGP3040 -UN-01JAN94



RGP3040

1F23

6076 ENGINE (ENGINE SERIAL NUMBER -499999)

FUEL INJECTION NOZZLES AND LINES (6076TH001 OR HH003) - CONTINUED
(ENGINE SERIAL NO. -165438)

| KEY | PART NO. | PART NAME | QTY | ENGINE SERIAL NO. | REMARKS |
|-----|----------|------------------|-----|-------------------|--|
| 1 | RE29726 | FUEL LINE | 1 | -165438 | NO. 6 |
| 2 | RE29725 | FUEL LINE | 1 | -165438 | NO. 5 |
| 3 | RE29724 | FUEL LINE | 1 | -165438 | NO. 4 |
| 4 | RE29723 | FUEL LINE | 1 | -165438 | NO. 3 |
| 5 | R59305 | STRAP | 2 | | |
| | R58186 | CLAMP | 4 | | |
| | R61144 | STRAP | 2 | | |
| | 21H1463 | CAP SCREW | 2 | | 0.190" X 7/8" |
| 6 | RE29722 | FUEL LINE | 1 | -165438 | NO. 2 |
| 7 | RE29721 | FUEL LINE | 1 | -165438 | NO. 1 |
| 8 | R59298 | STRAP | 1 | | |
| | R59297 | HALF CLAMP | 2 | | |
| | R61145 | STRAP | 1 | | |
| | 21H1463 | CAP SCREW | 2 | | 0.190" X 7/8" |
| 9 | R59298 | STRAP | 1 | | |
| | R71212 | CLAMP | 1 | | |
| | R59297 | HALF CLAMP | 2 | | |
| | R61145 | STRAP | 1 | | |
| 10 | R71398 | SCREW | 2 | | 0.190" X 1-1/2" |
| | R59305 | STRAP | 1 | | |
| | R58186 | CLAMP | 1 | | |
| | R74030 | CLAMP | 1 | | |
| | R74804 | CLAMP | 1 | | |
| | R61144 | STRAP | 1 | | |
| | R71398 | SCREW | 1 | | 0.190" X 1-1/2" |
| 11 | R59298 | STRAP | 1 | | |
| | R59297 | HALF CLAMP | 2 | | |
| | 21H1463 | CAP SCREW | 2 | | 0.190" X 7/8" |
| 12 | RE47120 | ABSORBER | 1 | | (SUB FOR RE12766) |
| 13 | 24H1305 | WASHER | 1 | | 13/32" X 13/16" X 0.065" |
| 14 | 12M7066 | LOCK WASHER | 1 | | 10.200 MM |
| 15 | 19M7166 | CAP SCREW | 1 | | M10 X 20 |
| 16 | R84472 | WASHER | 6 | | 7.360 X 18.160 X 2 MM (0.290" X 0.715" X 0.079") |
| 17 | RE30159 | INJECTION NOZZLE | 6 | -142238 | (DENSO) (SUB RE46364, THIS APPLICATION) |
| | RE46364 | INJECTION NOZZLE | 1 | 142239- | (ROBERT BOSCH) |
| 18 | R77551 | O-RING | 6 | | |
| 19 | R87082 | FITTING | 6 | | (ALSO ORDER R77551) |
| 20 | R51937 | TUBE NUT | 1 | | |
| 21 | AR85519 | PLUG | 1 | | |
| 22 | R79604 | TUBE NUT | 6 | | |
| 23 | R79605 | WASHER | 6 | | |
| 24 | R79606 | TEE FITTING | 6 | | |
| 25 | R51936 | PACKING | 11 | | |
| 26 | RE15807 | FUEL LINE | 2 | | |
| 27 | RE15808 | FUEL LINE | 2 | | |
| 28 | RE36421 | FUEL LINE | 2 | | |
| 29 | R97061 | TEE FITTING | 2 | | |
| 30 | R51936 | PACKING | 1 | | |
| 31 | AR104650 | FUEL LINE | 1 | | |
| 32 | R51936 | PACKING | 7 | | |
| 33 | RE35800 | FUEL LINE | 1 | | |
| 34 | RE35799 | FUEL LINE | 1 | | |
| 35 | R67364 | ELBOW FITTING | 1 | | |
| 36 | R97061 | TEE FITTING | 1 | | |
| 37 | RE38870 | FUEL LINE | 1 | 101099-106065 | |
| | RE38871 | FUEL LINE | 1 | 106066- | |
| 38 | R63604 | FITTING | 1 | 101099-106065 | |
| 39 | RE33482 | FUEL LINE | 1 | -101098 | |
| 40 | R67364 | ELBOW FITTING | 1 | -101098 | |

1F24

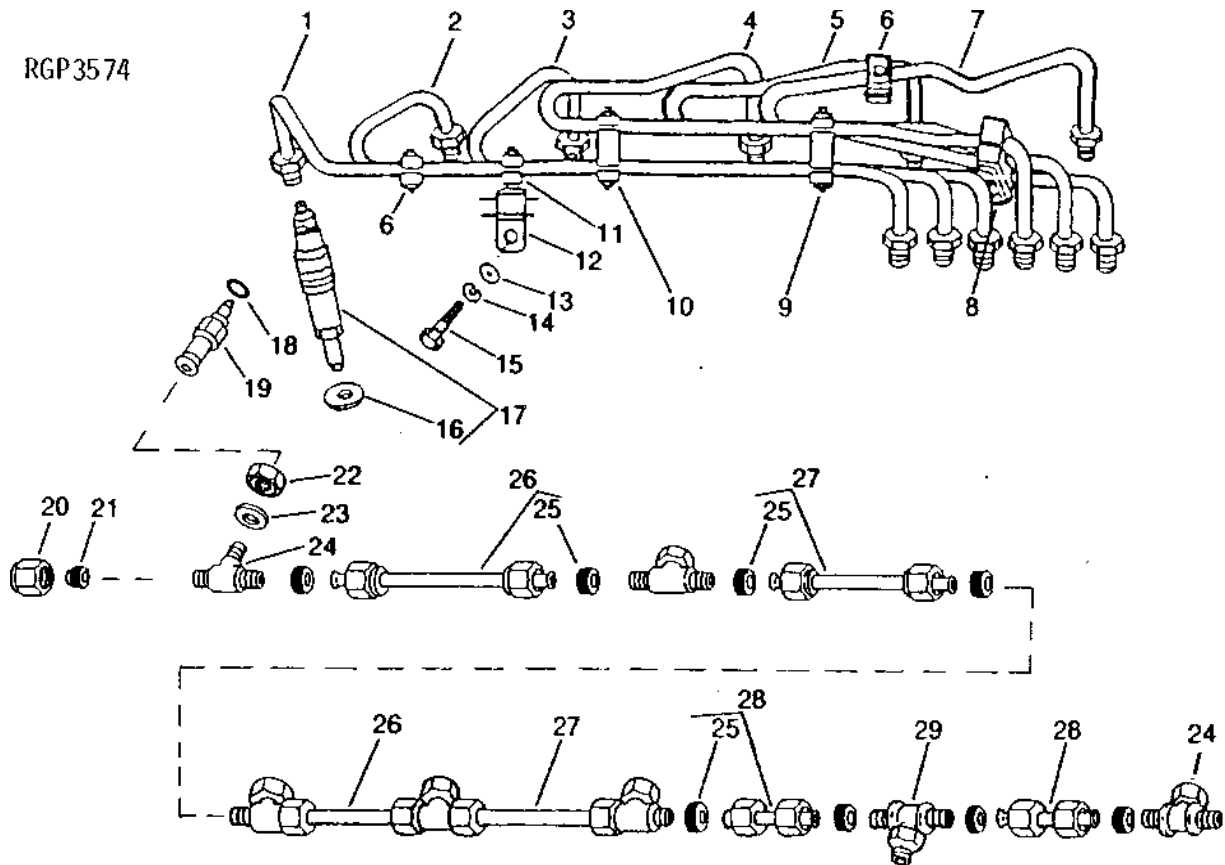
6076 ENGINE (ENGINE SERIAL NUMBER -499999)

FUEL INJECTION NOZZLES AND LINES (HH003)

(ENGINE SERIAL NO. 165439-499999)

RGP3574 -UN-01JAN94

RGP3574



1F25

6076 ENGINE (ENGINE SERIAL NUMBER -499999)

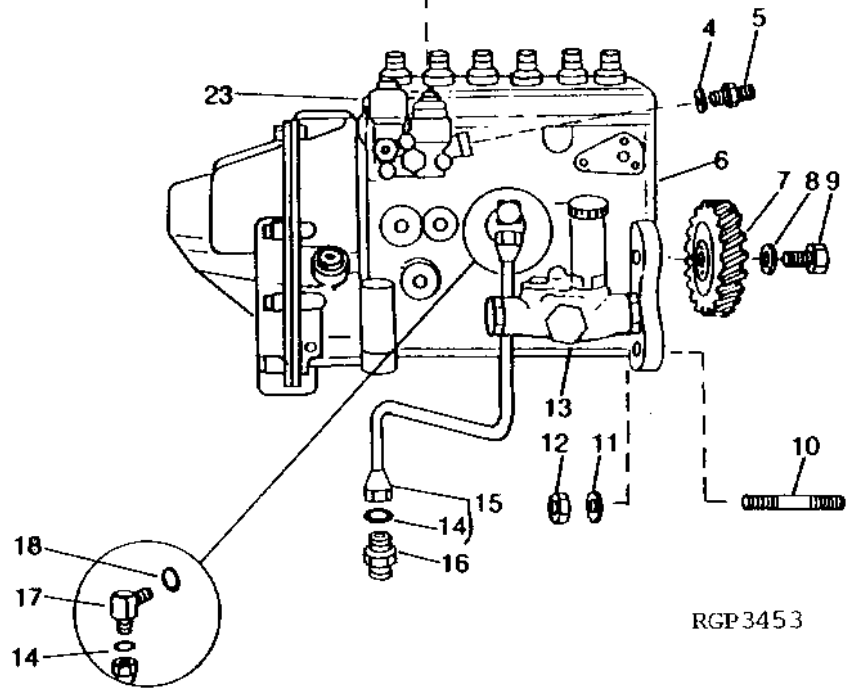
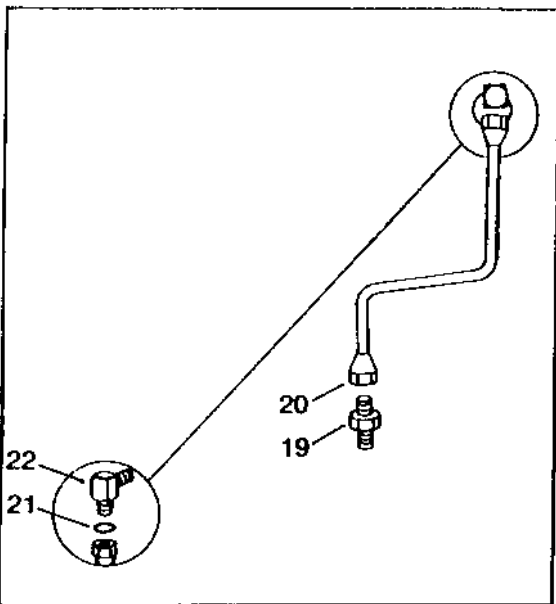
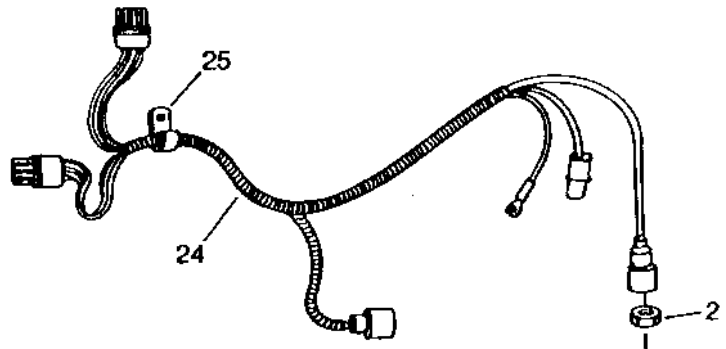
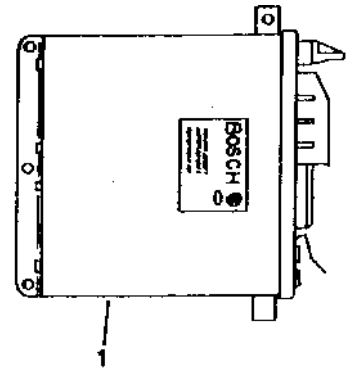
**FUEL INJECTION NOZZLES AND LINES (6076HH003) - CONTINUED
(ENGINE SERIAL NO. 165439-499999)**

| KEY | PART NO. | PART NAME | QTY | ENGINE SERIAL NO. | REMARKS |
|-----|----------|------------------|-----|--|---------|
| 1 | RE47419 | FUEL LINE | 1 | NO. 6 | |
| 2 | RE47418 | FUEL LINE | 1 | NO. 5 | |
| 3 | RE47417 | FUEL LINE | 1 | NO. 4 | |
| 4 | RE47416 | FUEL LINE | 1 | NO. 3 | |
| 5 | RE47415 | FUEL LINE | 1 | NO. 2 | |
| 6 | R59305 | STRAP | 2 | | |
| | R58186 | CLAMP | 8 | | |
| | R61144 | STRAP | 2 | | |
| | 21H1463 | CAP SCREW | 2 | 0.190" X 7/8" | |
| 7 | RE47414 | FUEL LINE | 1 | NO. 1 | |
| 8 | R59298 | STRAP | 1 | | |
| | R59297 | HALF CLAMP | 2 | | |
| | 21H1463 | CAP SCREW | 2 | 0.190" X 7/8" | |
| 9 | R59298 | STRAP | 1 | | |
| | R71212 | CLAMP | 1 | | |
| | R61145 | STRAP | 1 | | |
| | R71398 | SCREW | 2 | 0.190" X 1-1/2" | |
| 10 | R59305 | STRAP | 2 | | |
| | R58186 | CLAMP | 1 | | |
| | R74030 | CLAMP | 1 | | |
| | R74804 | CLAMP | 1 | | |
| | R61144 | STRAP | 3 | | |
| | R71398 | SCREW | 1 | 0.190" X 1-1/2" | |
| 11 | R59297 | HALF CLAMP | 2 | | |
| | 21H1463 | CAP SCREW | 1 | 0.190" X 7/8" | |
| 12 | RE47120 | ABSORBER | 1 | | |
| 13 | 24H1305 | WASHER | 1 | 13/32" X 13/16" X 0.065" | |
| 14 | 12M7066 | LOCK WASHER | 1 | 10.200 MM | |
| 15 | 19M7166 | CAP SCREW | 1 | M10 X 20 | |
| 16 | R84472 | WASHER | 6 | 7.360 X 18.160 X 2 MM (0.290" X 0.715" X 0.079") | |
| 17 | RE46364 | INJECTION NOZZLE | 6 | (ROBERT BOSCH) | |
| | RE30159 | INJECTION NOZZLE | 6 | (DENSO) | |
| 18 | R77551 | O-RING | 6 | | |
| 19 | R87082 | FITTING | 6 | (ALSO ORDER R77551) | |
| 20 | R51937 | TUBE NUT | 1 | | |
| 21 | AR85519 | PLUG | 1 | | |
| 22 | R79604 | TUBE NUT | 6 | | |
| 23 | R79605 | WASHER | 6 | | |
| 24 | R79606 | TEE FITTING | 6 | | |
| 25 | R51936 | PACKING | 11 | | |
| 26 | RE15807 | FUEL LINE | 2 | | |
| 27 | RE15808 | FUEL LINE | 2 | | |
| 28 | RE36421 | FUEL LINE | 2 | | |
| 29 | R97061 | TEE FITTING | 2 | | |

1G1

6076 ENGINE (ENGINE SERIAL NUMBER -499999)

FUEL INJECTION PUMP AND OIL LUBE LINES (6076HH001) (253HP)
(95MM INJECTION PUMP BORE)
(ENGINE SERIAL NO. -499999)
RGP3453 -UN-01JAN94



RGP3453

**FUEL INJECTION PUMP AND OIL LUBE LINES (6076HH001) (253HP) - CONTINUED
 (95MM INJECTION PUMP BORE)
 (ENGINE SERIAL NO. -499999)**

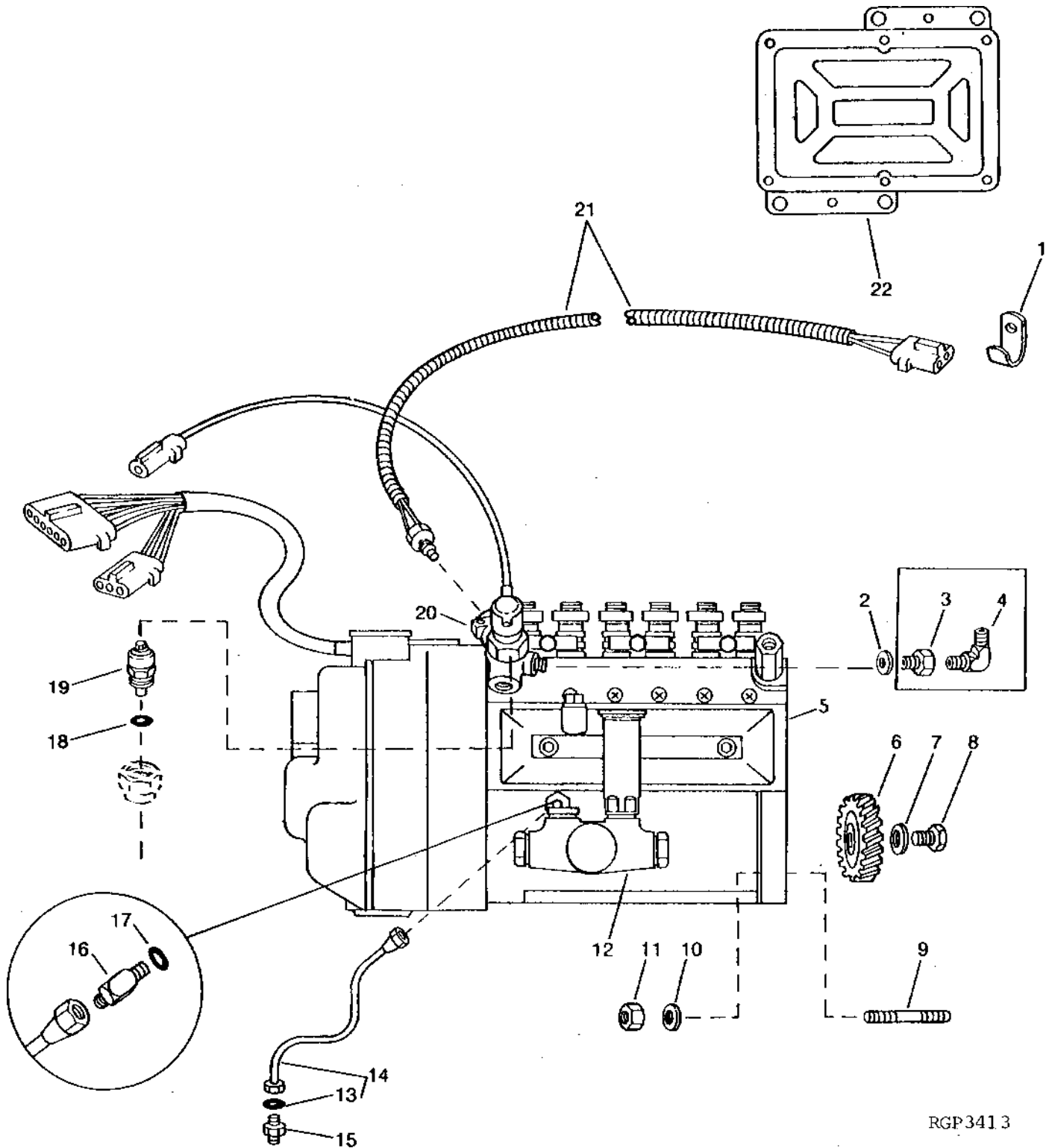
| KEY | PART NO. | PART NAME | QTY | ENGINE SERIAL NO. | REMARKS |
|-----|----------|-------------------------|-----|-------------------|--|
| 1 | RE38239 | ENGINE CONTROLLER | 1 | -146739 | (MARKED RE28320) (SUB RE47732) (HH001) (253HP) |
| | RE47732 | ENGINE CONTROLLER | 1 | 146740- | (MARKED RE28320) (SUB RE501805) (HH001) (253HP) |
| | RE501805 | ENGINE CONTROLLER | 1 | 146740- | (MARKED RE501731) |
| 2 | 14M7297 | NUT | 1 | | M5 |
| 3 | 12H296 | WASHER | 1 | | 0.216" |
| 4 | R48693 | WASHER | 1 | | |
| 5 | R91824 | FITTING | 1 | | |
| 6 | RE29583 | FUEL INJECTION PUMP | 1 | | (A) (ROBERT BOSCH) (PES6P120A720RS3184) |
| 7 | RE33390 | GEAR | 1 | | (MATCHED SET W/CAMSHAFT DRIVE GEAR) |
| 8 | R63845 | WASHER | 4 | | |
| 9 | 19H3336 | CAP SCREW | 4 | | 3/8" X 7/8" |
| 10 | R114130 | STUD | 4 | | (SUB FOR R55396) |
| 11 | M72490 | WASHER | 4 | | (SUB FOR R42729) |
| 12 | 14H1090 | NUT | 4 | | 3/8", (SUB FOR R32511 OR E55662, APPL.) |
| 13 | RE35142 | FUEL PUMP | 1 | | |
| 14 | R67264 | PACKING | 2 | 141005- | |
| 15 | RE38733 | OIL LINE | 1 | 141005- | |
| 16 | R76822 | FITTING | 1 | 141005- | |
| 17 | AR88903 | ELBOW FITTING | 1 | 141005- | |
| 18 | R73858 | O-RING | 1 | | |
| 19 | R39832 | ADAPTER | 1 | -141004 | (USE WITH RE14229) |
| 20 | RE14229 | OIL LINE | 1 | -141004 | (SUB RE38733, AR88903 AND R76822) |
| 21 | R73858 | O-RING | 1 | | |
| 22 | AT32335 | ELBOW FITTING | 1 | -141004 | (USE WITH RE14229) |
| 23 | | HOUSING | NA | | |
| 24 | RE31504 | WIRING HARNESS | 1 | | |
| 25 | R72853 | CLAMP | 1 | | |
| .. | R89014 | SOLENOID | 1 | | (SHUT-OFF HOUSING) |
| .. | RE28217 | FUEL TEMPERATURE SENSOR | 1 | | (TEMPERATURE) |
| .. | R98500 | O-RING | 1 | | |
| .. | R99047 | O-RING | 1 | | |

(A) "SEE YOUR AUTHORIZED PUMP REPAIR STATION FOR PARTS NOT LISTED"

1G3

6076 ENGINE (ENGINE SERIAL NUMBER -499999)

FUEL INJECTION PUMP AND OIL LUBE LINE (6076TH001) (190HP)
(85MM INJECTION PUMP BORE)
(ENGINE SERIAL NO. -149283)
RGP3413 -UN-01JAN94



RGP 341 3

1G4

6076 ENGINE (ENGINE SERIAL NUMBER -499999)

**FUEL INJECTION PUMP AND OIL LUBE LINE (6076TH001) (190HP) - CONTINUED
(85MM INJECTION PUMP BORE)
(ENGINE SERIAL NO. -149283)**

| KEY | PART NO. | PART NAME | QTY | ENGINE SERIAL NO. | REMARKS |
|-----|----------|---------------------|-----|--|--------------------------------|
| 1 | R72853 | CLAMP | 1 | | |
| 2 | R53901 | WASHER | 1 | | |
| 3 | R78379 | ADAPTER | 1 | -101098 | |
| 4 | M42830 | ELBOW FITTING | 1 | -101098 | |
| 5 | RE32064 | FUEL INJECTION PUMP | 1 | | (A) (DENSO) (191000-5870) |
| 6 | RE33390 | GEAR | 1 | | (MATCHED SET W/CAM DRIVE GEAR) |
| 7 | R63845 | WASHER | 4 | | |
| 8 | 19H3336 | CAP SCREW | 4 | 3/8" X 7/8" | |
| 9 | R114130 | STUD | 4 | (SUB FOR R55396) | |
| 10 | M72490 | WASHER | 4 | (SUB FOR R42729) | |
| 11 | 14H1090 | NUT | 4 | (SUB FOR R32511 OR E55662, APPL.) | |
| 12 | RE35139 | FUEL PUMP | 1 | | |
| 13 | R67264 | PACKING | 1 | | |
| 14 | RE38732 | OIL LINE | 1 | (SUB FOR RE33486) | |
| 15 | R76822 | FITTING | 1 | | |
| 16 | AT32335 | ELBOW FITTING | 1 | | |
| 17 | R73858 | O-RING | 1 | | |
| 18 | R98502 | RING | 1 | (SHUT-OFF SOLENOID) | |
| 19 | RE34100 | SOLENOID | 1 | | |
| 20 | | HOUSING | NA | (A) (SHUT-OFF) | |
| 21 | RE35284 | SENDER | 1 | (FUEL TEMPERATURE) | |
| 22 | RE44131 | ENGINE CONTROLLER | 1 | (MARKED RE34048 OR RE34049) (SUB FOR RE38240 OR RE43388) | |

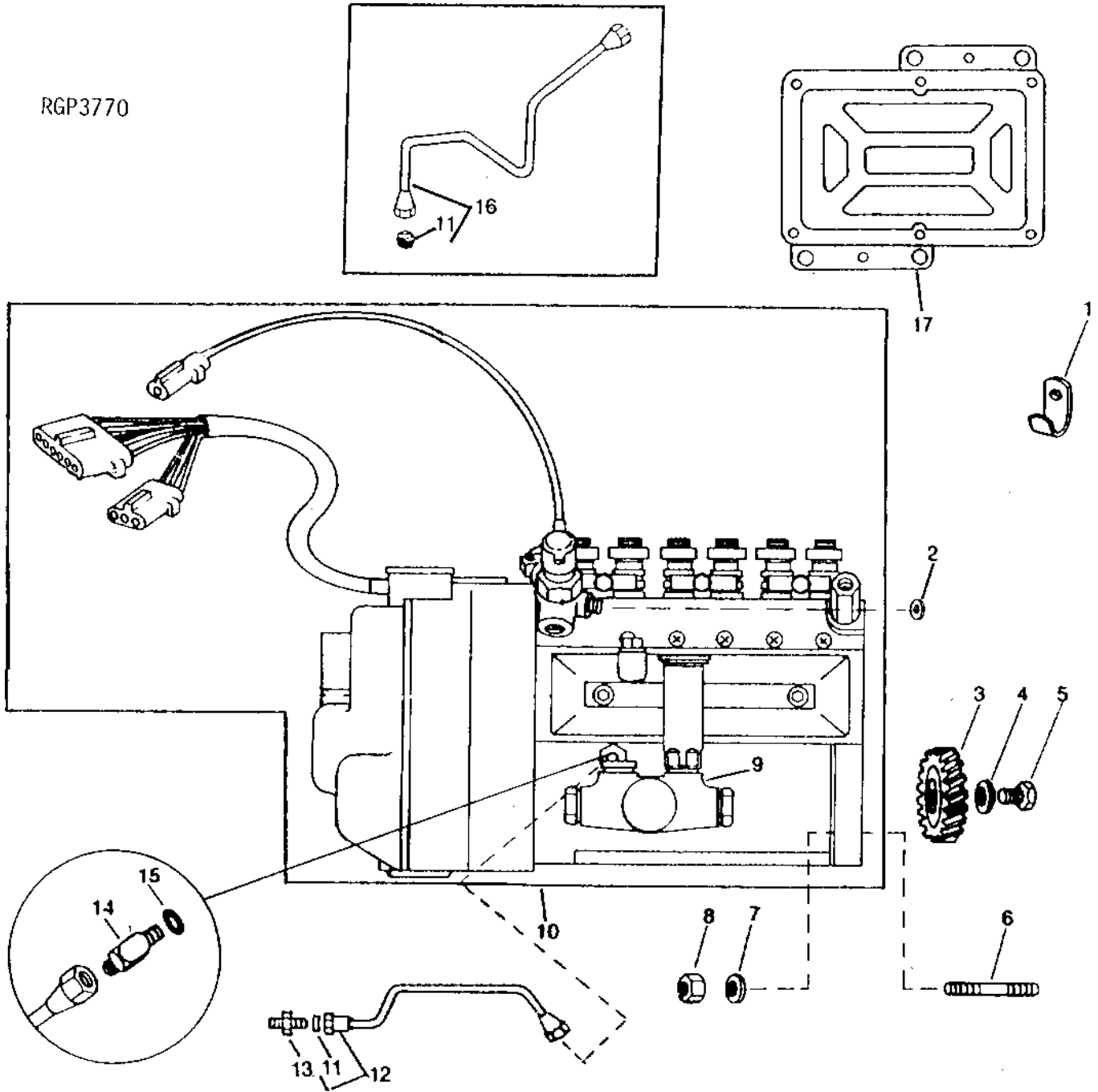
(A) "SEE YOUR AUTHORIZED PUMP REPAIR STATION FOR PARTS NOT LISTED."

1G5

6076 ENGINE (ENGINE SERIAL NUMBER -499999)

FUEL INJECTION PUMP AND OIL LUBE LINE (6076HH003) (215HP)
(85MM INJECTION PUMP BORE)
(ENGINE SERIAL NO. 149284-499999)
RGP3770 -UN-01JAN94

RGP3770



1G6

6076 ENGINE (ENGINE SERIAL NUMBER -499999)

**FUEL INJECTION PUMP AND OIL LUBE LINE (6076HH003) (215HP) - CONTINUED
(85MM INJECTION PUMP BORE)
(ENGINE SERIAL NO. 149284-499999)**

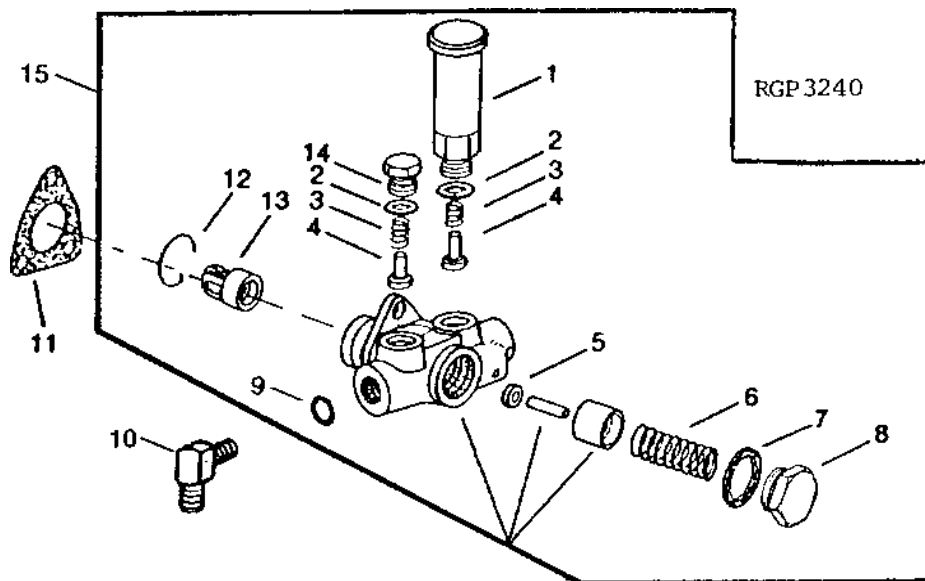
| KEY | PART NO. | PART NAME | QTY | ENGINE SERIAL NO. | REMARKS |
|-----|----------|---------------------|-----|-------------------|-----------------------------------|
| 1 | R72853 | CLAMP | 1 | | |
| 2 | R53901 | WASHER | 1 | | |
| 3 | R67380 | GEAR | 1 | | |
| 4 | R63845 | WASHER | 4 | | |
| 5 | 19H3336 | CAP SCREW | 4 | | 3/8" X 7/8" |
| 6 | R114130 | STUD | 4 | | (SUB FOR R55396) |
| 7 | M72490 | WASHER | 4 | | (SUB FOR R42729) |
| 8 | 14H1090 | NUT | 4 | | (SUB FOR R32511 OR E55662, APPL.) |
| 9 | | FUEL PUMP | 1 | | |
| 10 | RE46264 | FUEL INJECTION PUMP | 1 | | (A) (DENSO) (191000-8590) |
| 11 | R67264 | PACKING | 1 | | |
| 12 | RE49899 | OIL LINE | 1 | 171868- | |
| 13 | R76822 | FITTING | 1 | | (USE WITH RE38732 OR RE49899) |
| 14 | AT32335 | ELBOW FITTING | 1 | | |
| 15 | R73858 | O-RING | 1 | | |
| 16 | RE38732 | OIL LINE | 1 | -171867 | |
| 17 | RE44705 | ENGINE CONTROLLER | 1 | | (MARKED RE34049) |

(A) "SEE YOUR AUTHORIZED PUMP REPAIR STATION FOR PARTS NOT LISTED."

MEMORANDA

FUEL TRANSFER PUMP (253HP/HH001 OR 235HP/HH004)
(ROBERT BOSCH)
(ENGINE SERIAL NO. -499999)

RGP3240 -UN-01JAN94



| KEY | PART NO. | PART NAME | QTY | ENGINE SERIAL NO. | REMARKS |
|-----|----------|---------------|-----|-------------------|------------------------|
| 1 | RE48048 | HAND PRIMER | 1 | | (SUB FOR R70135) |
| 2 | R54025 | WASHER | 2 | | |
| 3 | R54023 | SPRING | 2 | | |
| 4 | R54022 | VALVE | 2 | | |
| 5 | R54013 | O-RING | 1 | | |
| 6 | R75272 | SPRING | 1 | | |
| 7 | R64861 | WASHER | 1 | | |
| 8 | R54015 | DRAIN PLUG | 1 | | |
| 9 | R26448 | O-RING | 2 | | (SUB FOR R78079, APPL) |
| 10 | RE10258 | ELBOW FITTING | 1 | | (OUTLET) |
| | RE34128 | ELBOW FITTING | 1 | | (INLET) |
| | R67879 | GASKET | 1 | | |
| 12 | R54021 | SNAP RING | 1 | | |
| 13 | AR73863 | TAPPET | 1 | | |
| 14 | R54024 | PLUG | 1 | | |
| 15 | RE35142 | FUEL PUMP | 1 | | |

1G8

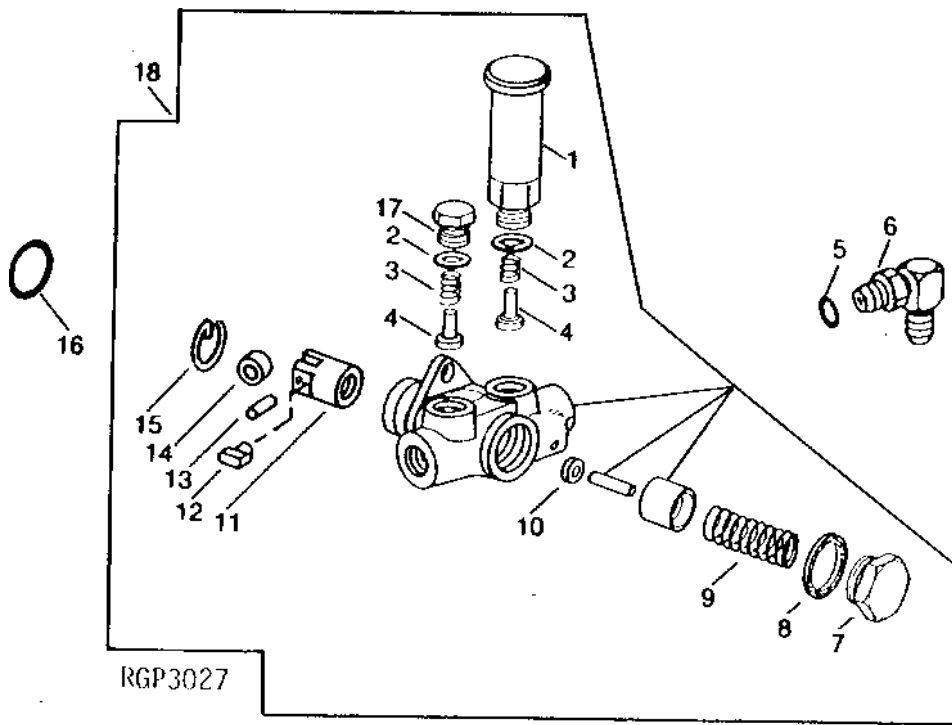
6076 ENGINE (ENGINE SERIAL NUMBER -499999)

FUEL TRANSFER PUMP (190HP/TH001 OR 215HP/HH003)

(DENSO)

(ENGINE SERIAL NO. -499999)

RGP3027 -UN-01JAN94



| KEY | PART NO. | PART NAME | QTY | ENGINE SERIAL NO. | REMARKS |
|-----|----------|---------------|-----|-------------------|----------------------|
| 1 | AR81825 | HAND PRIMER | 1 | | |
| 2 | R64854 | WASHER | 2 | | |
| 3 | R64855 | SPRING | 2 | | |
| 4 | R64856 | VALVE | 2 | | |
| 5 | R26448 | O-RING | 2 | | |
| 6 | RE10258 | ELBOW FITTING | 1 | | (OUTLET) |
| | RE34128 | ELBOW FITTING | 1 | | (INLET) |
| 7 | R64860 | DRAIN PLUG | 1 | | |
| 8 | R64861 | WASHER | 1 | | (NO LONGER REQUIRED) |
| 9 | R77206 | SPRING | 1 | | |
| 10 | AR87663 | SEAL | 1 | | |
| 11 | R73872 | TAPPET | 1 | | |
| 12 | R73871 | PIN | 2 | | |
| 13 | R73870 | NEEDLE ROLLER | 2 | | |
| 14 | R73869 | ROLLER | 1 | | |
| 15 | R64871 | SNAP RING | 1 | | |
| 16 | R64927 | O-RING | 1 | | |
| 17 | R64853 | DRAIN PLUG | 1 | | |
| 18 | RE35139 | FUEL PUMP | 1 | | (DENSO) |

1G9

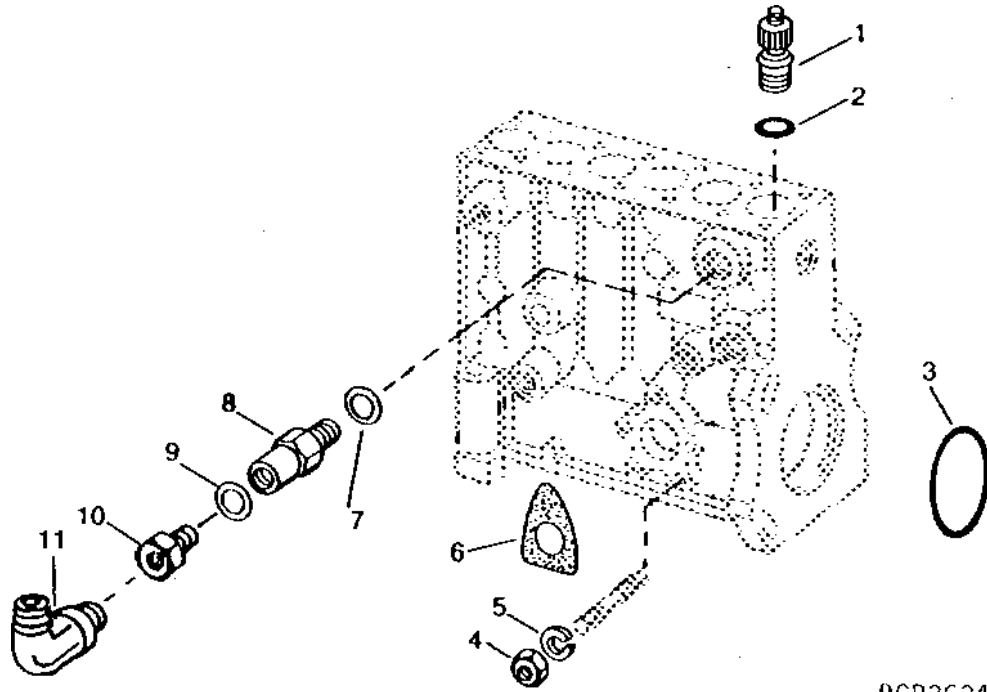
6076 ENGINE (ENGINE SERIAL NUMBER -499999)

FUEL INJECTION PUMP HOUSING CONNECTORS (235HP/HH004 OR 253HP/HH001)

(ENGINE SERIAL NO. -499999)

(ROBERT BOSCH)

RGP3634 -UN-01JAN94



RGP3634

| KEY | PART NO. | PART NAME | QTY | ENGINE SERIAL NO. | REMARKS |
|-----|----------|---------------|-----|-------------------------|---------|
| 1 | R99531 | HOLDER | 6 | (NLA) | |
| 2 | T24210 | O-RING | 6 | | |
| 3 | R53884 | O-RING | 1 | | |
| 4 | T31556 | NUT | 3 | | |
| 5 | T24229 | LOCK WASHER | 3 | | |
| 6 | R67879 | GASKET | 1 | | |
| 7 | R53899 | WASHER | 1 | | |
| 8 | RE36151 | CONTROL VALVE | 1 | (SUB FOR AR77114, APPL) | |
| 9 | R53901 | WASHER | 1 | | |
| 10 | R63016 | ADAPTER | 1 | | |
| 11 | R67364 | ELBOW FITTING | 1 | | |

1G10

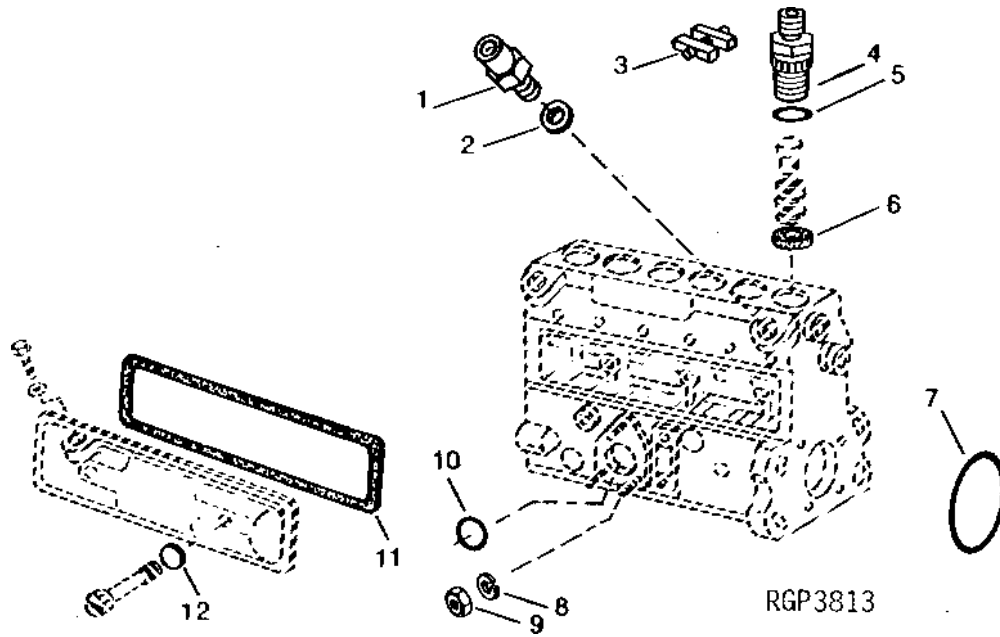
6076 ENGINE (ENGINE SERIAL NUMBER -499999)

FUEL INJECTION PUMP HOUSING CONNECTORS (190HP/TH001 OR 215HP/HH003)

(DENSO)

(ENGINE SERIAL NO. -499999)

RGP3813 -UN-01JAN94



| KEY | PART NO. | PART NAME | QTY | ENGINE SERIAL NO. | REMARKS |
|-----|----------|---------------|-----|-------------------|---------|
| 1 | RE10582 | CONTROL VALVE | 1 | | |
| 2 | R64857 | WASHER | 1 | | |
| 3 | R77536 | JAW | 3 | | |
| 4 | R73817 | HOLDER | 6 | | |
| 5 | R73821 | O-RING | 6 | | |
| 6 | R73820 | SHIM | 6 | | |
| 7 | R73864 | O-RING | 1 | | |
| 8 | R64926 | LOCK WASHER | 3 | | |
| 9 | 14M7272 | NUT | 3 | M6 | |
| 10 | R64927 | O-RING | 1 | | |
| 11 | R78774 | GASKET | 1 | | |
| 12 | R78773 | PACKING | 2 | | |

1G11

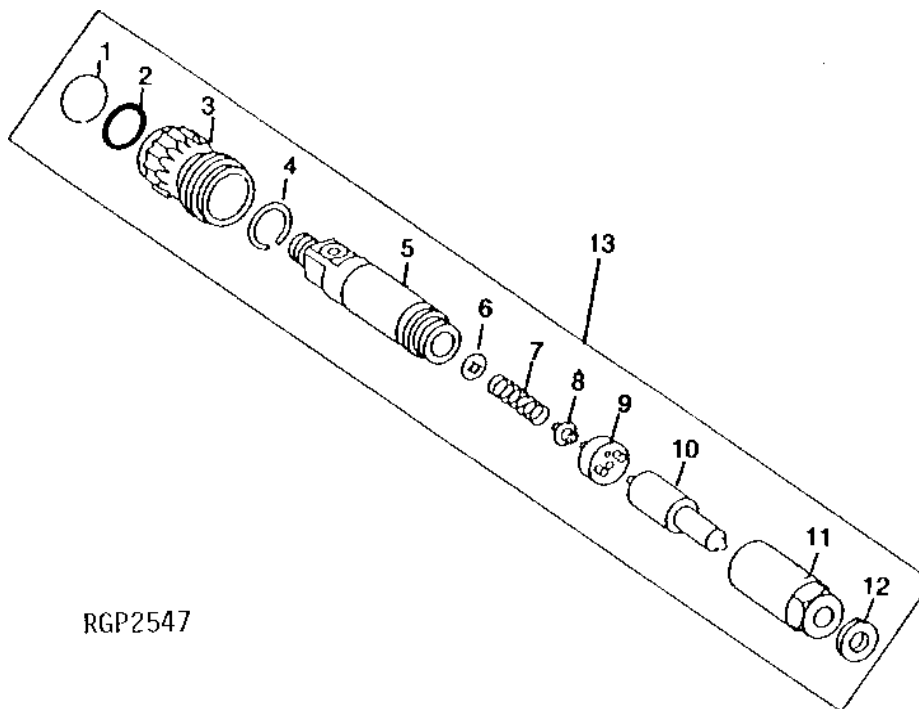
6076 ENGINE (ENGINE SERIAL NUMBER -499999)

FUEL INJECTION NOZZLE (190HP/TH001 OR 215HP/HH003)

(ROBERT BOSCH)

(ENGINE SERIAL NO. 142256-499999)

RGP2547 -UN-01JAN94



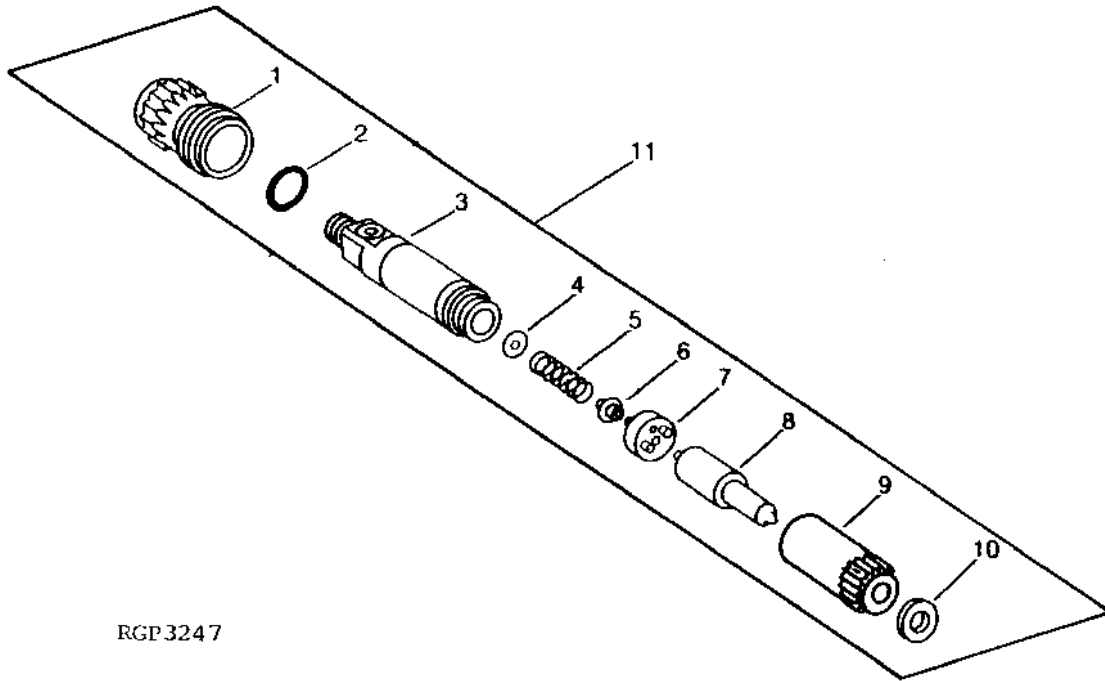
RGP2547

| KEY | PART NO. | PART NAME | QTY | ENGINE SERIAL NO. | REMARKS |
|-----|----------|------------------|-----|-------------------|---------|
| 1 | R60277 | SNAP RING | 1 | | |
| 2 | R51603 | O-RING | 1 | | |
| 3 | R60279 | NUT | 1 | | |
| 4 | R60278 | SNAP RING | 1 | | |
| 5 | R60272 | NOZZLE HOLDER | 1 | (SUB RE46364) | |
| 6 | R83720 | WASHER | 1 | 1.02 MM (.0402") | |
| | R83721 | WASHER | 1 | 1.08 MM (.0425") | |
| | R83722 | WASHER | 1 | 1.12 MM (.0441") | |
| | R83723 | WASHER | 1 | 1.18 MM (.0465") | |
| | R83724 | WASHER | 1 | 1.22 MM (.0480") | |
| | R83725 | WASHER | 1 | 1.28 MM (.0504") | |
| | R83726 | WASHER | 1 | 1.30 MM (.0512") | |
| | R83727 | WASHER | 1 | 1.38 MM (.0543") | |
| | R83728 | WASHER | 1 | 1.42 MM (.0559") | |
| | R83729 | WASHER | 1 | 1.48 MM (.0583") | |
| | R83730 | WASHER | 1 | 1.50 MM (.0591") | |
| | R83731 | WASHER | 1 | 1.58 MM (.0622") | |
| | R83732 | WASHER | 1 | 1.60 MM (.0630") | |
| | R83733 | WASHER | 1 | 1.68 MM (.0661") | |
| | R83734 | WASHER | 1 | 1.70 MM (.0669") | |
| | R83735 | WASHER | 1 | 1.78 MM (.0701") | |
| | R83736 | WASHER | 1 | 1.82 MM (.0717") | |
| | R83737 | WASHER | 1 | 1.88 MM (.0740") | |
| | R83738 | WASHER | 1 | 1.90 MM (.0748") | |
| | R83739 | WASHER | 1 | 1.98 MM (.0780") | |
| 7 | R108699 | SPRING | 1 | | |
| 8 | R108700 | SEAT | 1 | | |
| 9 | R108701 | PLATE | 1 | | |
| 10 | RE30973 | NOZZLE | 1 | (7 X 0.24) | |
| 11 | R108702 | NUT | 1 | | |
| 12 | R84472 | WASHER | 1 | | |
| 13 | RE46364 | INJECTION NOZZLE | 6 | (ROBERT BOSCH) | |

1G12

6076 ENGINE (ENGINE SERIAL NUMBER -499999)

FUEL INJECTION NOZZLE (TH001, HH003 OR HH004)
(DENSO)
(ENGINE SERIAL NO. -499999)
RGP3247 -UN-01JAN94



RGP3247

1G13

6076 ENGINE (ENGINE SERIAL NUMBER -499999)

**FUEL INJECTION NOZZLE (TH001, HH001, HH003 OR HH004) - CONTINUED
(DENSO)
(ENGINE SERIAL NO. -499999)**

| KEY | PART NO. | PART NAME | QTY | ENGINE SERIAL NO. | REMARKS |
|-----|----------|------------------|-----|-------------------|---|
| 1 | R68035 | NUT | 1 | | |
| 2 | R69089 | O-RING | 1 | | |
| 3 | R94400 | NOZZLE HOLDER | 1 | -184892 | |
| 4 | R115369 | NOZZLE HOLDER | 1 | 184893- | |
| | R68036 | SHIM | AR | | 0.70MM (.028") |
| | R90544 | SHIM | AR | | 0.725MM (.0285") |
| | R68037 | SHIM | AR | | 0.75MM (.030") |
| | R90543 | WASHER | AR | | 0.775MM (.0305") |
| | R68038 | WASHER | AR | | 0.80MM (.032") |
| | R90542 | WASHER | AR | | 0.825MM (.0324") |
| | R68039 | WASHER | AR | | 0.85MM (.034") |
| | R90541 | WASHER | AR | | 0.875MM (.0344") |
| | R68040 | WASHER | AR | | 0.90MM (.035") |
| | R90540 | WASHER | AR | | 0.925MM (.0364") |
| | R68041 | WASHER | AR | | 0.95MM (.037") |
| | R90539 | WASHER | AR | | 0.0975MM (.0383") |
| | R68042 | WASHER | AR | | 1.00MM (.039") |
| | R90538 | WASHER | AR | | 1.025MM (.0403") |
| | R68043 | WASHER | AR | | 1.05MM (.041") |
| | R90537 | WASHER | AR | | 1.075MM (.0423") |
| | R68044 | WASHER | AR | | 1.10MM (.043") |
| | R90536 | WASHER | AR | | 1.125MM (.0443") |
| | R68045 | WASHER | AR | | 1.15MM (.045") |
| | R90535 | WASHER | AR | | 1.175MM (.0462") |
| | R68046 | WASHER | AR | | 1.20MM (.047") |
| | R90534 | WASHER | AR | | 1.225MM (.0482") |
| | R68047 | WASHER | AR | | 1.25MM (.049") |
| | R90533 | WASHER | AR | | 1.275MM (.0502") |
| | R68048 | WASHER | AR | | 1.30MM (.051") |
| | R90532 | WASHER | AR | | 1.325MM (.0522") |
| | R68049 | WASHER | AR | | 1.35MM (.053") |
| | R90531 | WASHER | AR | | 1.375MM (.0541") |
| | R68050 | WASHER | AR | | 1.40MM (.055") |
| | R90530 | WASHER | AR | | 1.425MM (.0561") |
| | R68051 | WASHER | AR | | 1.45MM (.057") |
| | R90529 | WASHER | AR | | 1.475MM (.0580") |
| | R68052 | WASHER | AR | | 1.50MM (.059") |
| 5 | R68053 | SPRING | 1 | -184892 | (SUB R115368 AND R115369, APPL) |
| | R115368 | SPRING | 1 | 184893- | |
| 6 | R94410 | SEAT | 1 | | |
| 7 | R94412 | PLATE | 1 | | |
| 8 | RE29179 | INJECTION NOZZLE | 1 | -184892 | (A) (7 X 0.255) (SUB RE52114) |
| | RE52114 | INJECTION NOZZLE | 1 | 184893- | (A) (7 X 0.255) |
| | RE30085 | INJECTION NOZZLE | 1 | -142255 | (B) (7 X 0.23) (SUB RE46364, APPL, TH001) |
| | RE52110 | INJECTION NOZZLE | 1 | | (C) (7 X 0.23) (DENSO) |
| 9 | R94414 | NUT | 1 | | |
| 10 | R84472 | WASHER | 1 | | |
| 11 | RE25253 | INJECTION NOZZLE | 6 | | (A) (SUB RE52113 AND R84472) (DENSO) |
| | RE52113 | INJECTION NOZZLE | 6 | | (A) |
| | R84472 | WASHER | 6 | | (A) |
| | RE30159 | INJECTION NOZZLE | 6 | -142255 | (B) (DENSO) |
| | RE30159 | INJECTION NOZZLE | 6 | | (C) (DENSO) |

- (A) HH001, HH004
- (B) TH001
- (C) HH003

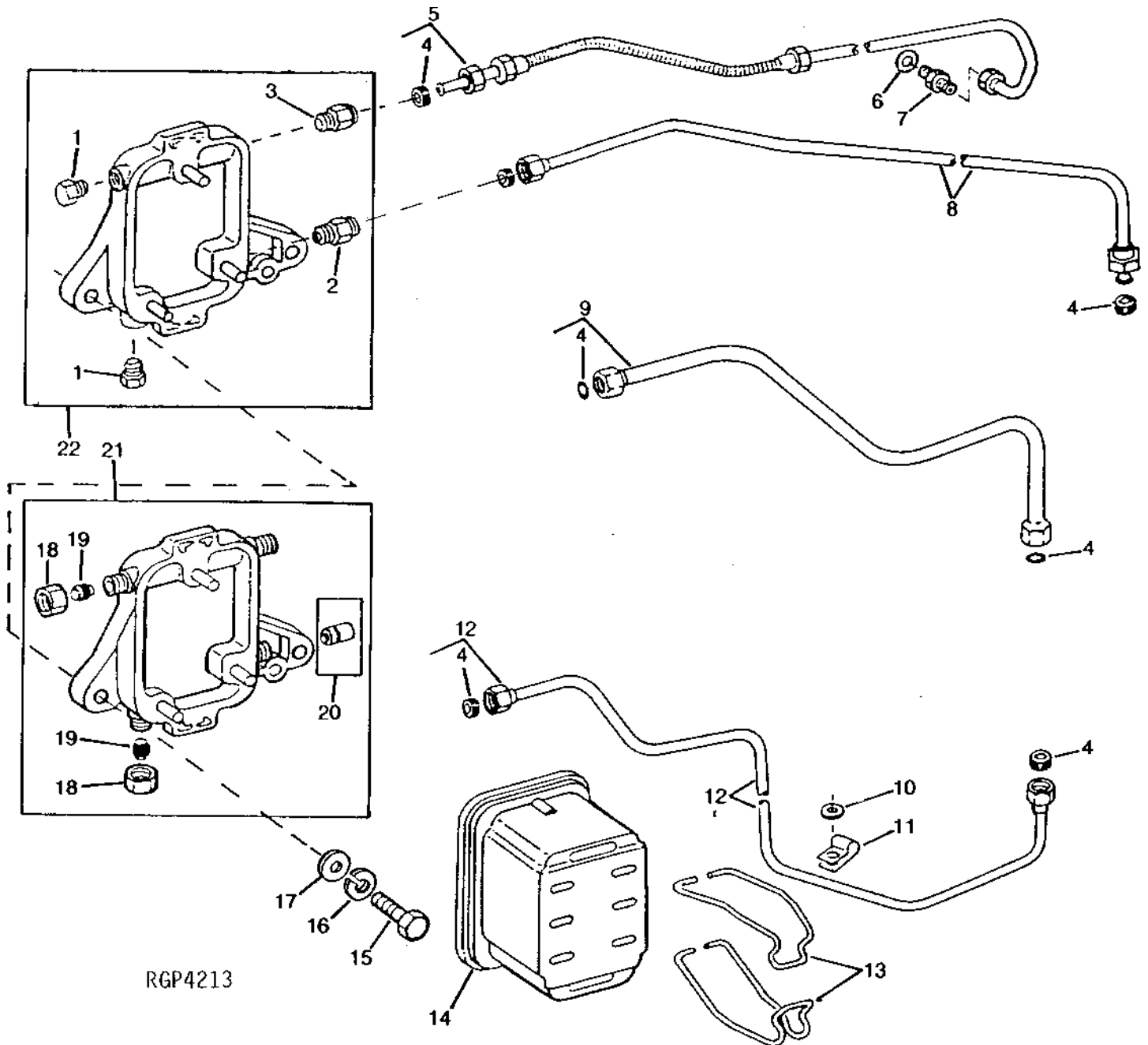
MEMORANDA

MEMORANDA

1G14

6076 ENGINE (ENGINE SERIAL NUMBER -499999)

FUEL FILTER AND LINES
(ENGINE SERIAL NO. -499999)
RGP4213 -UN-01JAN94



1G15

6076 ENGINE (ENGINE SERIAL NUMBER -499999)

FUEL FILTER AND LINES - CONTINUED
(ENGINE SERIAL NO. -499999)

| KEY | PART NO. | PART NAME | QTY | ENGINE SERIAL NO. | REMARKS |
|-----|----------|--------------------|-----|-------------------|---|
| 1 | R119223 | PLUG | 2 | | |
| 2 | RE54244 | CHECK VALVE | 1 | | (USE WITH RE47501) |
| 3 | RE54245 | FITTING | 1 | | (USE WITH RE47501) |
| 4 | R67092 | SEAL | 3 | | |
| 5 | RE41173 | FUEL LINE | 1 | | (B) (SUB FOR RE28951) |
| | RE41174 | FUEL LINE | 1 | | (A) (SUB FOR RE28950 OR RE39780) |
| 6 | R53899 | WASHER | 1 | | (A) |
| | R53901 | WASHER | 1 | | (B) |
| | R93008 | WASHER | 1 | | (A) |
| 7 | R83490 | FITTING | 1 | -XXXXXX | (TH001) |
| | R83489 | FITTING | 1 | | (A) (B) |
| 8 | RE38738 | FUEL LINE | 1 | 109066- | (A) |
| 9 | | FUEL LINE | NA | | |
| 10 | 24H1305 | WASHER | 1 | | 13/32" X 13/16" X 0.065", (USE WITH RE28954 OR RE37689) |
| 11 | T13814 | CLAMP | 1 | | (USE WITH RE28954 OR RE37689) |
| 12 | RE28954 | FUEL LINE | 1 | -109065 | (SUB RE38738) |
| | RE37689 | FUEL LINE | 1 | | (B) |
| 13 | R89927 | CLAMP | 2 | | |
| 14 | RE27091 | FUEL FILTER | 1 | | |
| 15 | N167861 | SELF-LOCKING SCREW | 2 | -XXXXXX | 7/16" X 1-1/4", (SUB (2) 19H2731, (2) 12H293 AND (2) 24H1325, THIS APPLICATION) |
| | 19H3104 | CAP SCREW | 2 | | 7/16" X 1-1/4" |
| 16 | 12H293 | LOCK WASHER | 2 | | 7/16", (NO LONGER REQUIRED WITH 19H1304) |
| 17 | 24H1325 | WASHER | 2 | | 15/32" X 59/64" X 0.065" |
| 18 | R49672 | FITTING | 2 | | |
| 19 | R97237 | PLUG | 2 | | |
| | R67092 | SEAL | 2 | | |
| 20 | RE33542 | CHECK VALVE | 1 | | (USE WITH RE28947) |
| 21 | RE28947 | BASE | 1 | | (SUB RE47501) |
| 22 | RE47501 | BASE | 1 | | (SUB FOR RE28947) |

(A) - HH001, HH004

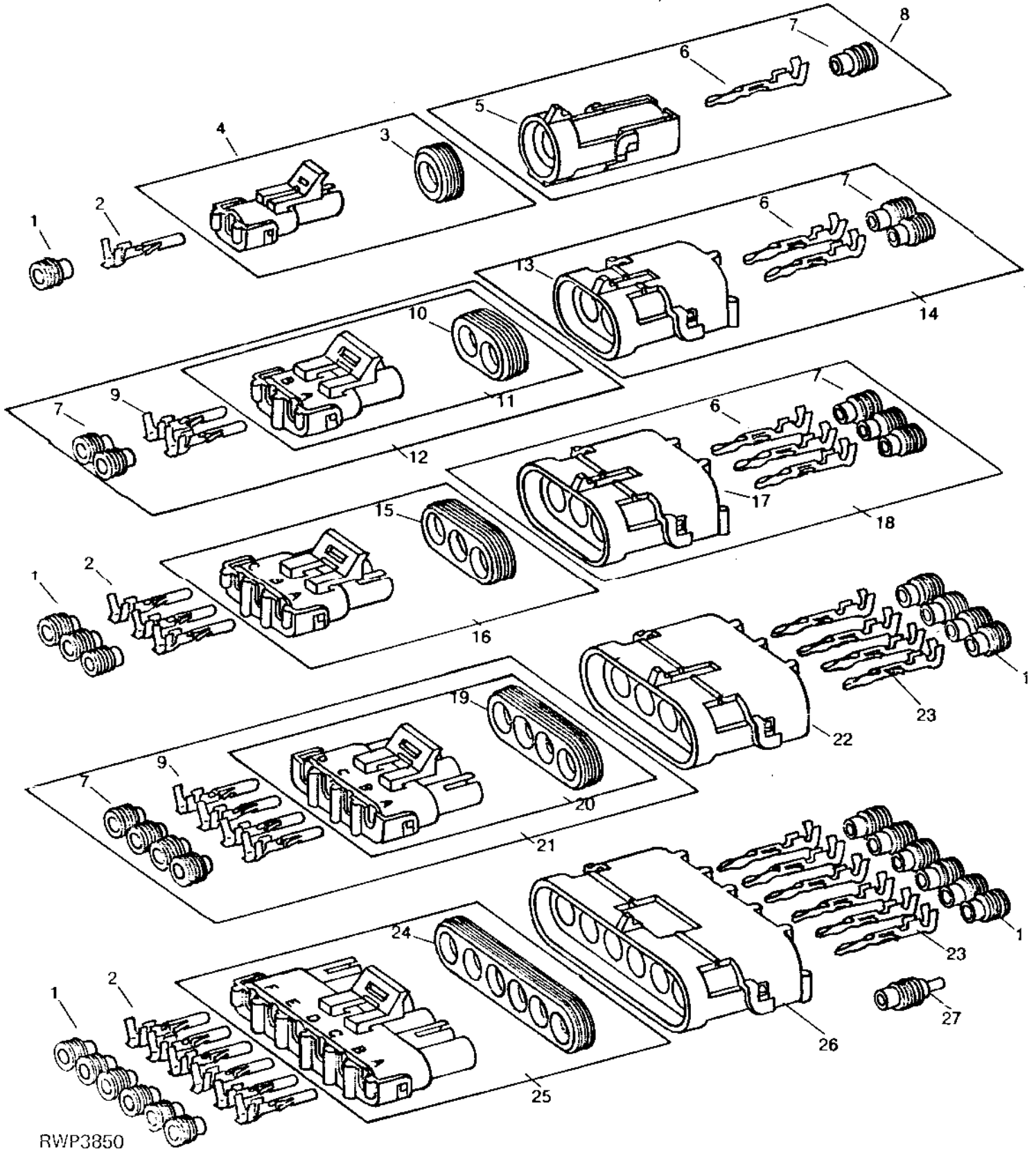
(B) - TH001, HH003

1G16

6076 ENGINE (ENGINE SERIAL NUMBER -499999)

WEATHERPACK TERMINALS AND CONNECTORS

RWP3850 -UN-01JAN94



WEATHERPACK TERMINALS AND CONNECTORS - CONTINUED

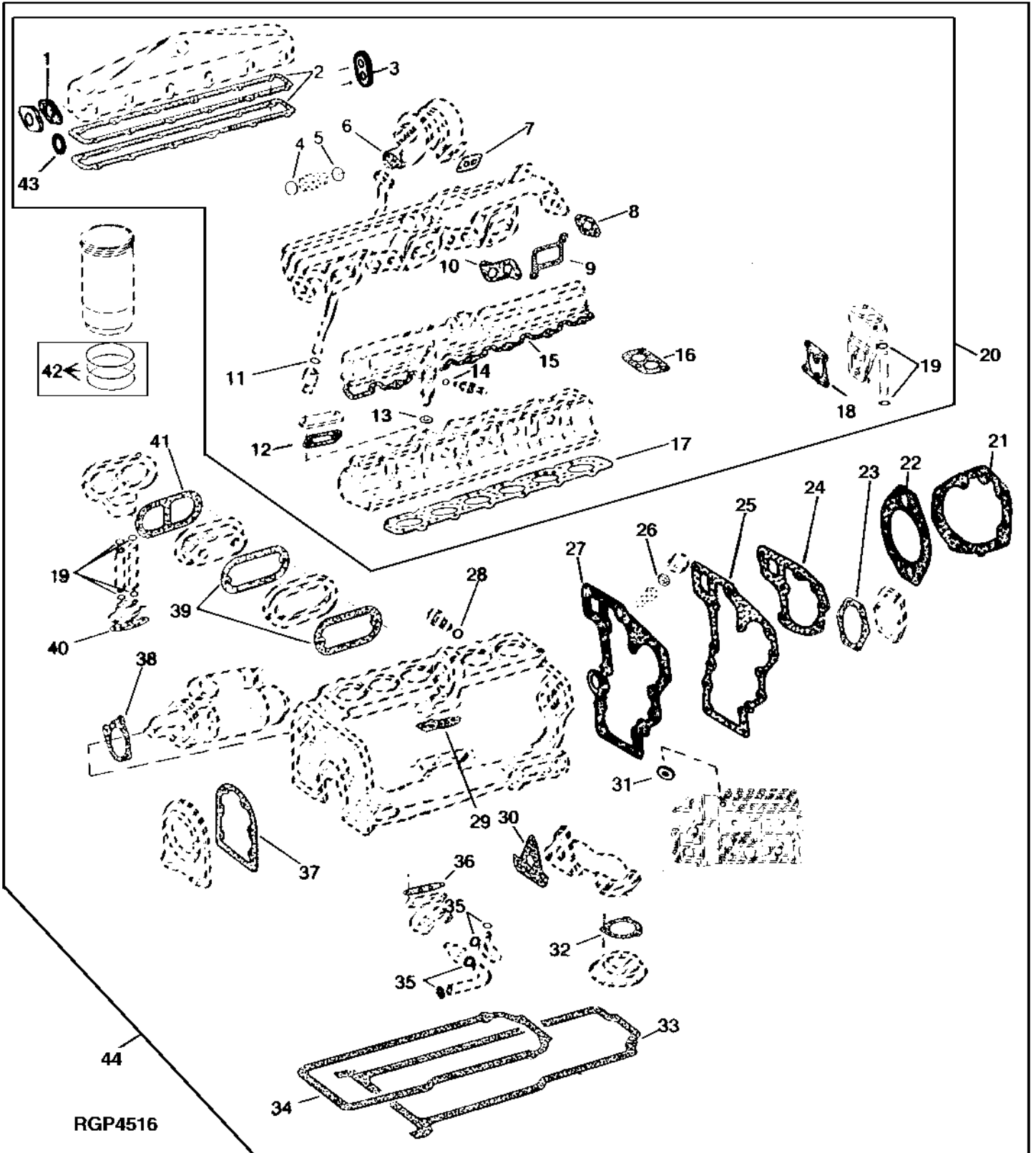
| KEY | PART NO. | PART NAME | QTY | TRACTOR SERIAL NO. | REMARKS |
|-----|----------|----------------------------|-----|-----------------------|----------------------------------|
| 1 | R78063 | TERMINAL NIPPLE | 1 | | (D) (16 GA. WIRE) (GRAY) |
| | R78059 | ELECTRICAL PLUG | 1 | | (D) (18 OR 20 GA. WIRE) (GREEN) |
| | R78062 | TERMINAL NIPPLE | 1 | | (D) (14 GA. WIRE) (BLUE) |
| 2 | R78057 | SOCKET CONTACT | 1 | | (D) (18 OR 20 GA. WIRE) (NO. 19) |
| | R78060 | SOCKET CONTACT | 1 | | (D) (14 OR 16 GA. WIRE) (NO. 15) |
| 3 | R78047 | SEAL | 1 | | (C) |
| 4 | RE12362 | CONNECTOR | 1 | | (B) |
| 5 | R78052 | PIN CONTACT CONNECTOR BODY | 1 | | (B) |
| 6 | R78061 | PIN CONTACT | 1 | | (D) (14 OR 16 GA. WIRE) (NO. 15) |
| 7 | R78063 | TERMINAL NIPPLE | 1 | | (D) (16 GA. WIRE) (GRAY) |
| 8 | RE12334 | CONNECTOR | 1 | | (SUB R76477) |
| 9 | R78060 | SOCKET CONTACT | 1 | | (D) (14 OR 16 GA. WIRE) (NO. 15) |
| 10 | R78048 | TERMINAL NIPPLE | 1 | | (C) |
| 11 | RE12363 | CONNECTOR | 1 | | (B) |
| 12 | RE12331 | CONNECTOR | 1 | | |
| 13 | R78053 | PIN CONTACT CONNECTOR BODY | 1 | | (B) |
| 14 | RE12330 | CONNECTOR | 1 | | |
| 15 | R78049 | SEAL | 1 | | (C) |
| 16 | RE12364 | SOCKET CONT.CONNECTOR BODY | 1 | | (B) |
| 17 | R78054 | PIN CONTACT CONNECTOR BODY | 1 | | (B) |
| 18 | RE12332 | CONNECTOR | 1 | | |
| 19 | R78050 | SEAL | 1 | | (C) |
| 20 | RE12365 | CONNECTOR | 1 | | (A) |
| 21 | RE12333 | CONNECTOR | 1 | | |
| 22 | R78055 | PIN CONTACT CONNECTOR BODY | 1 | | (A) |
| 23 | R78061 | PIN CONTACT | 1 | | (D) (14 OR 16 GA. WIRE) (NO. 15) |
| | R78058 | PIN CONTACT | 1 | | (18 OR 20 GA. WIRE) (NO. 19) |
| 24 | R78051 | SEAL | 1 | | (C) |
| 25 | RE12366 | CONNECTOR | 1 | | (A) |
| 26 | R78056 | PIN CONTACT CONNECTOR BODY | 1 | | (A) |
| 27 | R78064 | ELECTRICAL PLUG | 1 | | (D) |

- (A) PKG OF 2
- (B) PKG OF 3
- (C) PKG OF 5
- (D) PKG OF 40

1G18

6076 ENGINE (ENGINE SERIAL NUMBER -499999)

ENGINE GASKET KITS
(ENGINE SERIAL NO. -499999)
RGP4516 -UN-23JUN95



RGP4516

1G19

6076 ENGINE (ENGINE SERIAL NUMBER -499999)

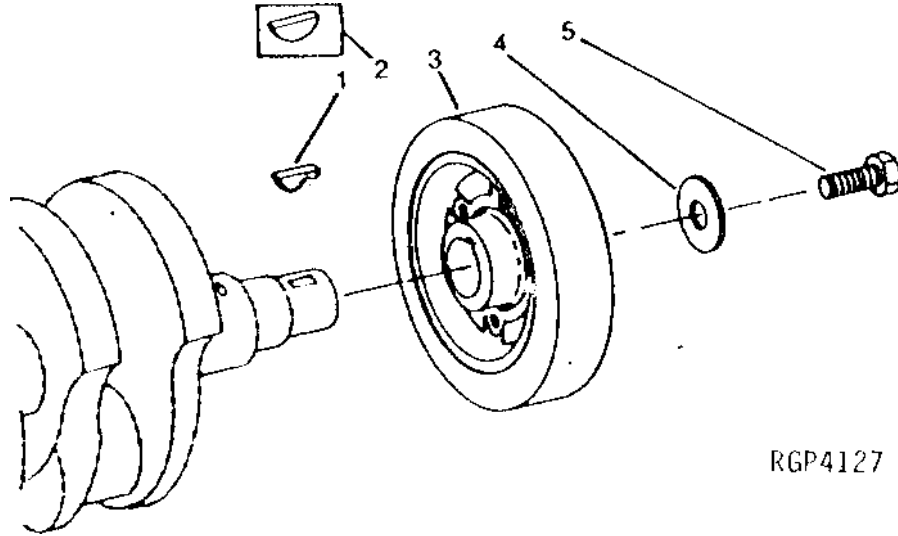
ENGINE GASKET KITS - CONTINUED
(ENGINE SERIAL NO. -499999)

| KEY | PART NO. | PART NAME | QTY | ENGINE SERIAL NO. | REMARKS |
|-----|----------|-----------------------------|-----|-------------------|--|
| 1 | | GASKET | NA | | |
| 2 | R88993 | GASKET | NA | | |
| 3 | R100911 | SEAL | 1 | | (SUB FOR R92447) |
| 4 | R50405 | O-RING | NA | | |
| 5 | R86743 | O-RING | 1 | | (6076HH001, TH001, HH003 OR HH004) |
| 6 | R105346 | GASKET | 1 | | (SUB FOR R43416 OR R97346) |
| 7 | R89879 | GASKET | 1 | | |
| | R92097 | GASKET | 1 | | (FOR TH001, HH001, HH003 OR HH004) |
| 8 | R83021 | GASKET | 2 | | |
| 9 | R120646 | GASKET | 3 | | (SUB FOR R87316 OR R102838, APPL) |
| 10 | R83020 | GASKET | 2 | | |
| 11 | R72328 | O-RING | 1 | | |
| 12 | R88397 | GASKET | 2 | | (SUB FOR R42693) |
| 13 | R84472 | WASHER | 6 | | |
| 14 | R77551 | O-RING | 6 | | |
| 15 | R49866 | GASKET | 1 | | |
| 16 | R46479 | GASKET | 1 | | |
| 17 | RE47336 | ENGINE CYLINDER HEAD GASKET | 1 | | (SUB FOR R55182, RE34010 OR R80026) |
| 18 | R86062 | GASKET | 1 | | |
| 19 | R47153 | O-RING | 6 | | |
| 20 | RG22248 | GASKET KIT | 1 | | CYLINDER HEAD, (SUB FOR RE29859) (SUB RG27884) |
| | RG27884 | GASKET KIT | 1 | | |
| 21 | | GASKET | NA | | |
| 22 | | GASKET | NA | | |
| 23 | R50390 | GASKET | 1 | | |
| 24 | R71315 | GASKET | 1 | | |
| 25 | R71314 | GASKET | 1 | | |
| 26 | T20328 | GASKET | 1 | | |
| 27 | | GASKET | NA | | |
| 28 | U13639 | O-RING | 1 | | |
| 29 | R43774 | GASKET | 1 | | |
| 30 | R71312 | GASKET | 1 | | |
| 31 | R53899 | WASHER | 1 | | (USE WITH R83490) |
| | R53901 | WASHER | 1 | | (USE WITH R83489) |
| 32 | R52049 | GASKET | 1 | | |
| 33 | R71918 | GASKET | 1 | | (CAST IRON OIL PAN) |
| 34 | R49377 | GASKET | 1 | | (ALUMINUM OIL PAN) |
| 35 | R71732 | O-RING | 4 | | |
| 36 | R65055 | GASKET | 1 | | |
| 37 | R26058 | GASKET | 1 | | |
| 38 | R53108 | GASKET | 1 | | |
| 39 | AR58952 | GASKET | 2 | | (CONSISTS OF (2) R50417) |
| 40 | R50424 | GASKET | 1 | | |
| 41 | R50419 | GASKET | 1 | | |
| 42 | AR98850 | KIT | 6 | | (NO LONGER INCLUDED) |
| 43 | | O-RING | NA | | |
| 44 | RE35647 | GASKET KIT | 1 | | ENGINE REBUILD, (SUB FOR RE30206) |

1G20

6076 ENGINE (ENGINE SERIAL NUMBER -499999)

CRANKSHAFT DAMPER
(ENGINE SERIAL NO. -499999)
RGP4127 -UN-01JAN94



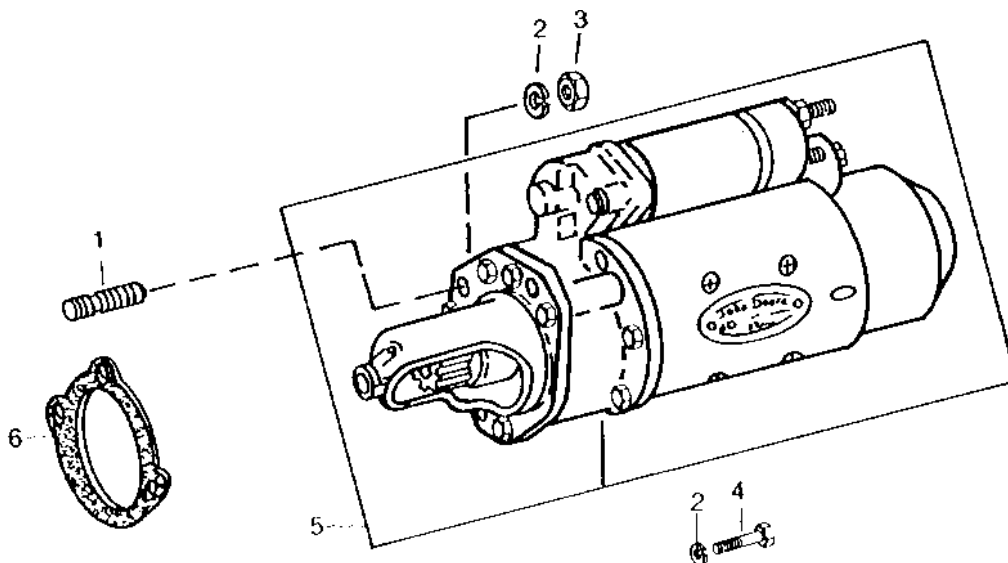
RGP4127

| KEY | PART NO. | PART NAME | QTY | ENGINE SERIAL NO. | REMARKS |
|-----|----------|--------------------|-----|-------------------|---|
| 1 | R116311 | KEY | 1 | | (USE WITH RE53203) |
| 2 | 26H85 | SHAFT KEY | 1 | | 1/4" X 1", (USE WITH R87544, R63451 OR RE42675) |
| 3 | RE24975 | TORSIONAL DAMPENER | 1 | | |
| 4 | R26333 | WASHER | 1 | | 16.662 X 57.150 X 9.525 MM (21/32" X 2-1/4" X 3/8") |
| 5 | R79846 | CAP SCREW | 1 | | 15.875 X 50.800 MM (5/8" X 2") |

1G21

6076 ENGINE (ENGINE SERIAL NUMBER -499999)

STARTING MOTOR
(12-VOLT)
(DENSO)
(ENGINE SERIAL NO. -136850)
 RGP3021 -UN-01JAN94



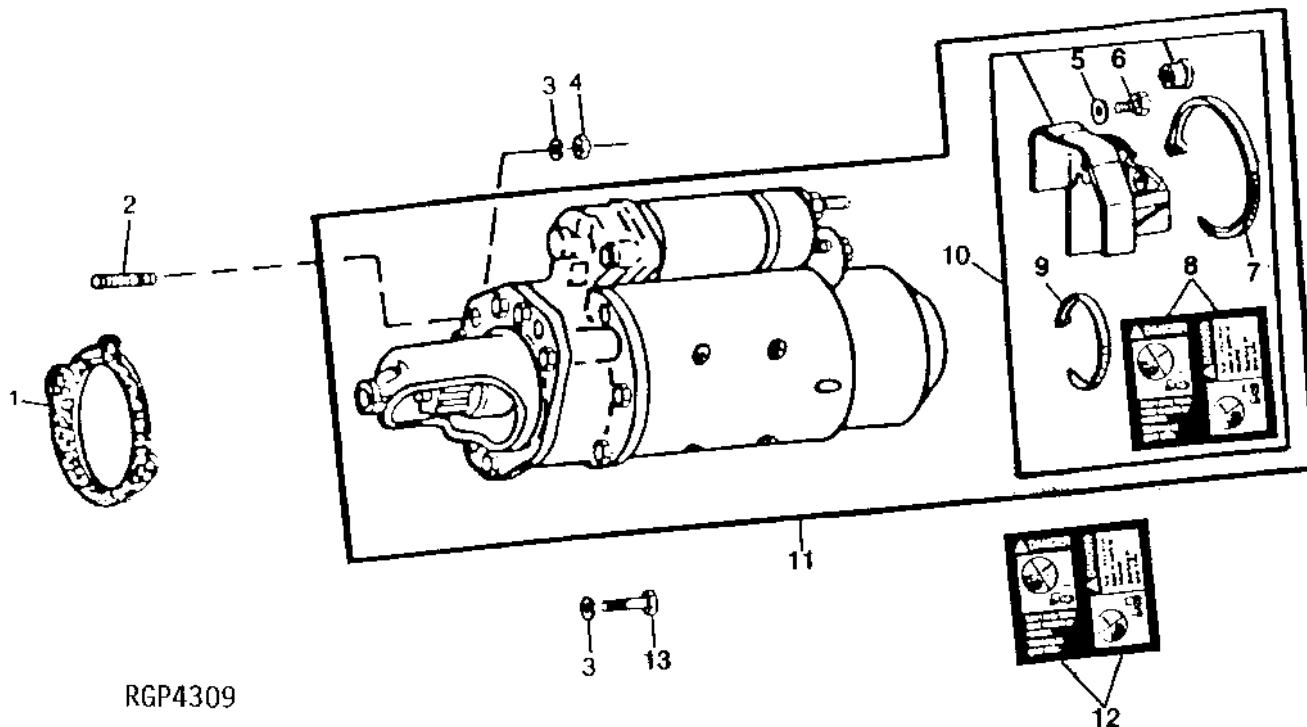
RGP3021

| KEY | PART NO. | PART NAME | QTY | ENGINE SERIAL NO. | REMARKS |
|-----|----------|---------------|-----|-------------------|---|
| 1 | R114130 | STUD | 1 | | (SUB FOR R55396) |
| 2 | 12H304 | LOCK WASHER | 3 | | 3/8" |
| 3 | E55662 | FLANGE NUT | 1 | | (2) (NOT REQUIRED WITH E55662) |
| 4 | 19H3219 | CAP SCREW | 2 | | 3/8" X 1-3/8" |
| 5 | RE13722 | STARTER MOTOR | 1 | | (DENSO NO. 028000-3292) (WITHOUT COVER) (SUB RE41875 OR TY6713) |
| | TY6617 | STARTER MOTOR | 1 | | REMANUFACTURED (DENSO) (WITHOUT COVER) (SUB TY6713) |
| 6 | R53108 | GASKET | 1 | | |
| .. | RE41875 | STARTER MOTOR | 1 | | (DENSO NO. 028000-3292) (CONTAINS RE39064) (SUB FOR RE13722) |
| .. | TY6713 | STARTER MOTOR | 1 | | (REMANUFACTURED DENSO WITH RE39064) (SUB FOR TY6617) |

1G22

6076 ENGINE (ENGINE SERIAL NUMBER -499999)

STARTING MOTOR (12V F4)
(DENSO)
(ENGINE SERIAL NO. 136851-499999)
 RGP4309 -UN-14SEP95



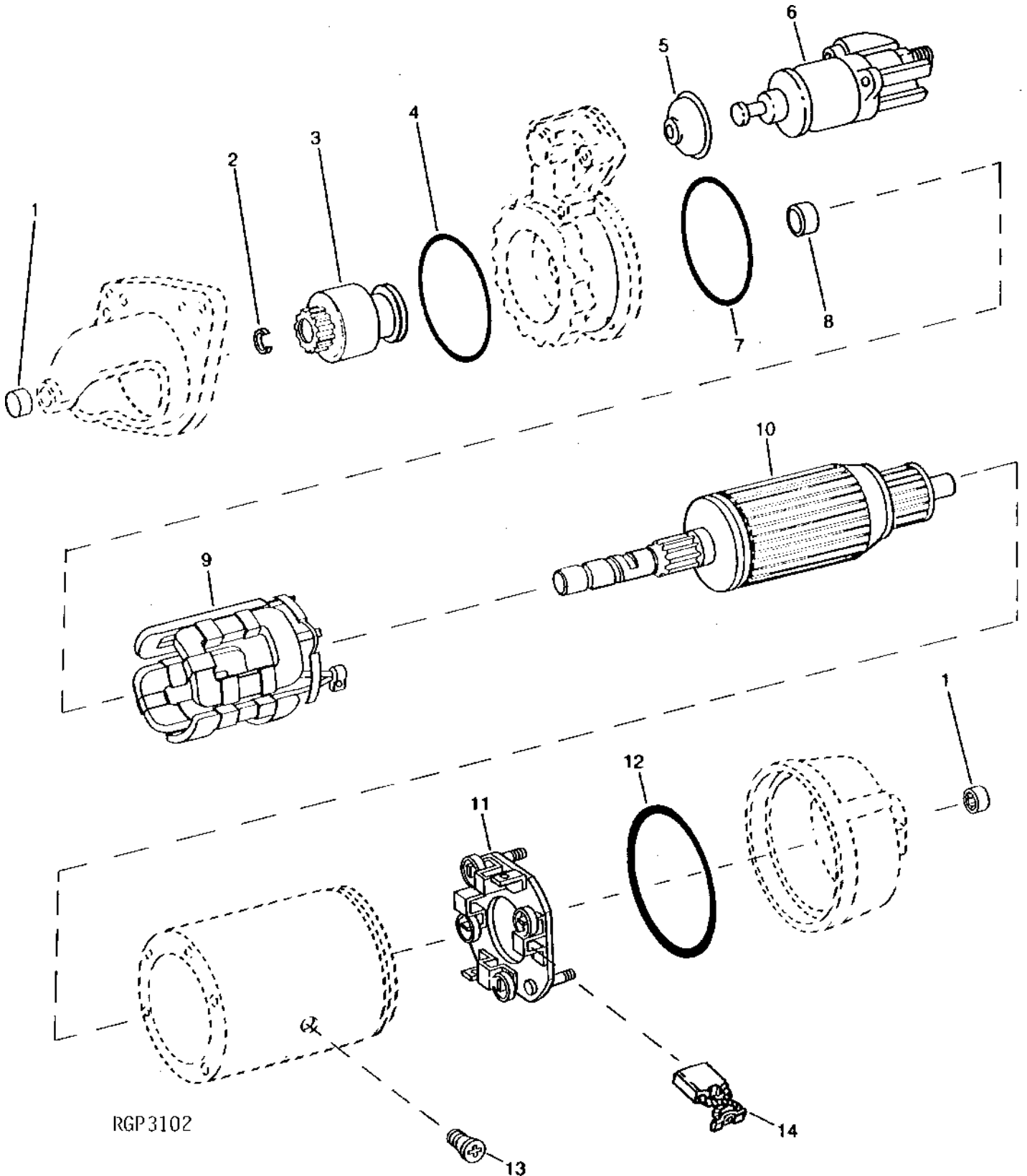
| KEY | PART NO. | PART NAME | QTY | ENGINE SERIAL NO. | REMARKS |
|-----|----------|---------------|-----|-------------------|---|
| 1 | R53108 | GASKET | 1 | | |
| 2 | R114130 | STUD | 1 | | (SUB FOR R55396, APPL) |
| 3 | 24M7096 | WASHER | 2 | | 10.500 X 18 X 1.600 MM |
| 4 | E55662 | FLANGE NUT | 2 | | |
| 5 | R104676 | SHIM | 1 | | |
| 6 | R104646 | SCREW | 1 | | |
| 7 | H113196 | TIE BAND | 1 | | (SUB FOR R76477 OR R45440) |
| 8 | T146102 | LABEL | 1 | | (ENGLISH) (SUB FOR T134459) |
| 9 | R44302 | TIE BAND | NA | | |
| 10 | RE41758 | COVER | 1 | | (USE WITH TY6731 OR TY6781) |
| | RE45329 | COVER | 1 | | (USE WITH RE43266 OR RE54416) |
| 11 | RE43423 | STARTER MOTOR | 1 | | (DENSO NO. 128000-5972) (MARKED RE43266) |
| | TY6731 | STARTER MOTOR | 1 | | (CONTAINS RE45329) (SUB RE65176) |
| | RE56053 | STARTER MOTOR | 1 | | (REMANUFACTURED) (DENSO) (CONTAINS RE41758) |
| | RE65176 | KIT | 1 | | (SUB TY6781) |
| | TY6781 | STARTER MOTOR | 1 | | (DENSO NO. 128000-2360) (MARKED RE54416) |
| 12 | T146517 | SAFETY SIGN | 1 | | (CONTAINS RE45329) (SUB RE65176) |
| | T146104 | SAFETY SIGN | 1 | | (DENSO NO. 22800-4601) (MARKED RE59589) |
| | T146515 | SAFETY SIGN | 1 | | (ENGLISH/FRENCH) (SUB FOR T134456) |
| | T146516 | SAFETY SIGN | 1 | | (FRENCH) (SUB FOR T134453) |
| | T146106 | SAFETY SIGN | 1 | | (GERMAN) (SUB FOR T134454) |
| | T146106 | SAFETY SIGN | 1 | | (ITALIAN) (SUB FOR T134455) |
| | T146106 | SAFETY SIGN | 1 | | (SPANISH) (SUB FOR T134452) |
| 13 | 19H3219 | CAP SCREW | 2 | | 3/8" X 1-3/8" |
| .. | TY22471 | CLAMP | 1 | | (INCLUDED WITH RE56053 AND RE65176) (SUB FOR RE43166) |

MEMORANDA

1G23

6076 ENGINE (ENGINE SERIAL NUMBER -499999)

STARTING MOTOR (12V F4)
(DENSO NO. 128000-5972 OR 128000-5973)
(ENGINE SERIAL NO. 136851-499999)
RGP3102 -UN-01JAN94



1G24

6076 ENGINE (ENGINE SERIAL NUMBER -499999)

STARTING MOTOR (12V F4) - CONTINUED
(DENSO NO. 128000-5972 OR 128000-5973)
(ENGINE SERIAL NO. 136851-499999)

| KEY | PART NO. | PART NAME | QTY | ENGINE SERIAL NO. | REMARKS |
|-----|----------|---------------------|-----|-------------------|--|
| 1 | RE39251 | NEEDLE BEARING | 2 | | |
| 2 | R50902 | SNAP RING | 1 | | |
| 3 | RE39249 | CLUTCH | 1 | | |
| 4 | R50901 | WASHER | 1 | -XXXXXX | (USE WITH RE43266 AND RE56053) |
| | R124581 | DUST SHIELD | 1 | XXXXXX- | (USE WITH RE65176) |
| 5 | R100513 | COVER | 1 | | |
| 6 | RE39241 | SWITCH | 1 | | (USE WITH TY6731) |
| | RE42777 | SWITCH | 1 | | (USE WITH RE43266, RE54416 AND RE59589) |
| 7 | R100511 | O-RING | 1 | | |
| 8 | R100509 | BUSHING | 1 | | |
| 9 | RE39243 | FIELD WINDING COIL | 1 | | |
| 10 | RE39245 | ARMATURE | 1 | | |
| 11 | RE39250 | CARBON BRUSH HOLDER | 1 | | |
| 12 | R100512 | O-RING | 1 | | |
| 13 | R100508 | SCREW | 1 | | |
| 14 | RE39247 | BRUSH | 4 | | |
| .. | RE43423 | STARTER MOTOR | 1 | | (DENSO NO. 128000-5972) (MARKED RE43266) (SUB RE65176) |
| .. | RE56053 | STARTER MOTOR | 1 | | (DENSO NO. 128000-5973) (MARKED RE54416) (SUB RE65176) |
| .. | RE65176 | KIT | 1 | | (DENSO NO. 22800-4601) (MARKED RE59589) |

1G25

6076 ENGINE (ENGINE SERIAL NUMBER -499999)

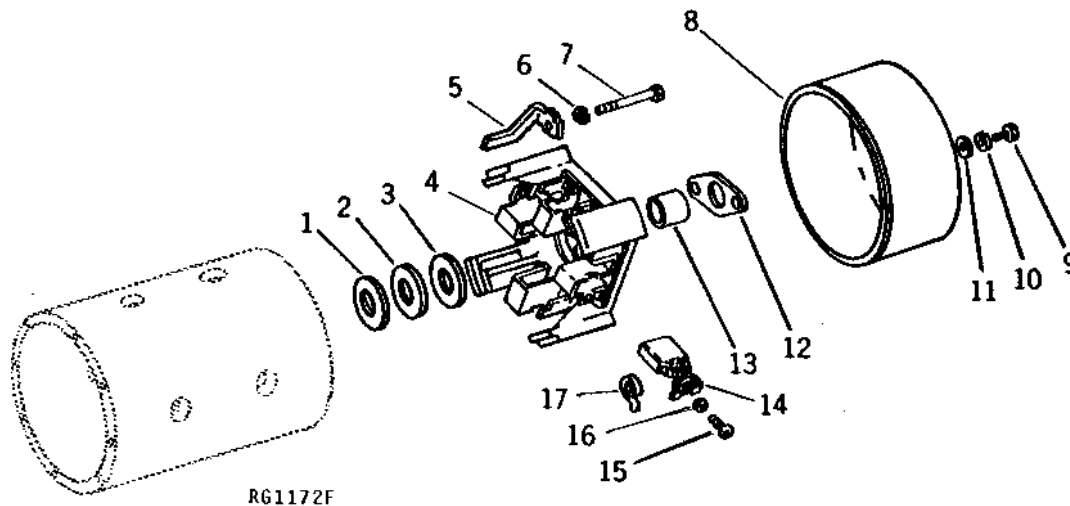
STARTER COMMUTATOR END FRAME

(12 VOLT) (JOHN DEERE)

(DENSO NO. 028000-3292)

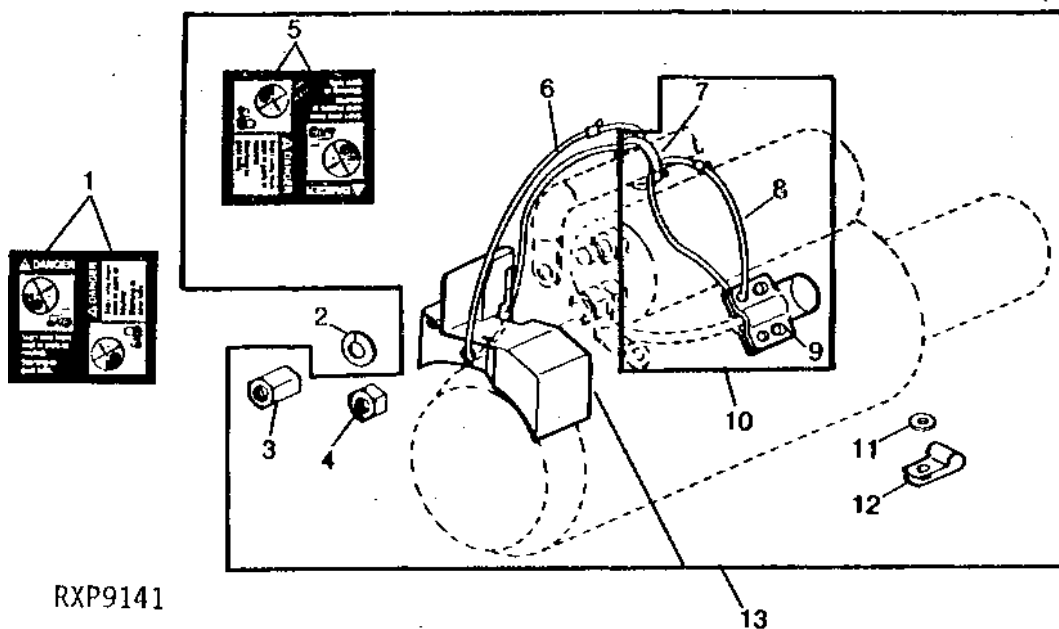
(6076TH001 OR HH001) (ENGINE SERIAL NO. -136850)

RG1172 -UN-01JAN94



| KEY | PART NO. | PART NAME | QTY | ENGINE SERIAL NO. | REMARKS |
|-----|----------|------------------------|-----|-----------------------|---------|
| 1 | R50923 | SHIM | AR | 0.18 MM (.007") | |
| 2 | R50924 | SHIM | AR | 0.50 MM (.019") | |
| 3 | R50925 | THRUST WASHER | 1 | | |
| 4 | AR54997 | FRAME | 1 | | |
| 5 | R51660 | BRACKET | 2 | | |
| 6 | 12H303 | LOCK WASHER | 2 | 5/16" | |
| 7 | R51659 | SCREW | 2 | | |
| 8 | R50912 | COVER | 1 | | |
| 9 | R50931 | SCREW | 2 | | |
| 10 | 12H246 | LOCK WASHER | 6 | 0.190" | |
| 11 | 24H1283 | WASHER | 2 | 7/32" X 1/2" X 0.049" | |
| 12 | R50930 | GASKET | 1 | | |
| 13 | R50891 | BUSHING | 1 | | |
| 14 | R50927 | CARBON BRUSH CONDUCTOR | 4 | | |
| 15 | R50929 | SCREW | 4 | | |
| 16 | 12H246 | LOCK WASHER | 4 | 0.190" | |
| 17 | R50928 | SPRING | 4 | | |

STARTER SOLENOID COVER KIT
(DENSO)
(ENGINE SERIAL NO. -499999)
 RXP9141 -UN-01JAN94



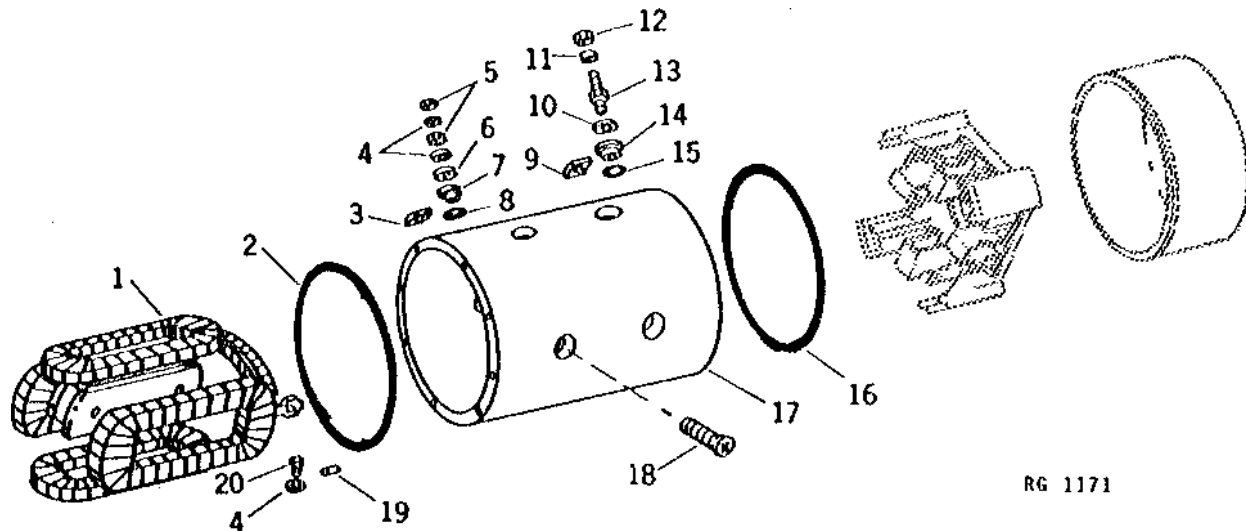
RXP9141

| KEY | PART NO. | PART NAME | QTY | ENGINE SERIAL NO. | REMARKS |
|-----|----------|-------------|-----|-------------------|--|
| 1 | T146106 | SAFETY SIGN | 1 | | (SPANISH) (SUB FOR T84410 OR T134452) |
| | T146104 | SAFETY SIGN | 1 | | (FRENCH) (SUB FOR T84411 OR T134453) |
| | T146515 | SAFETY SIGN | 1 | | (GERMAN) (SUB FOR T84412 OR T134454) |
| | T146516 | SAFETY SIGN | 1 | | (ITALIAN) (SUB FOR T84413 OR T134455) |
| | T146517 | SAFETY SIGN | 1 | | (ENGLISH/FRENCH) (SUB FOR T84578 OR T134456) |
| 2 | 12H246 | LOCK WASHER | 1 | | 0.190" |
| 3 | R100380 | NUT | 1 | | |
| 4 | 14H732 | NUT | 1 | | 3/8" |
| 5 | T146102 | LABEL | 1 | | (ENGLISH) (SUB FOR T84409 OR T134459) |
| 6 | H113196 | TIE BAND | 1 | | (SUB FOR R76477 OR R45440) |
| 7 | R44302 | TIE BAND | 1 | | |
| 8 | H113196 | TIE BAND | 1 | | (SUB FOR R76477 OR R45440) |
| 9 | R66117 | SCREW | 2 | | |
| 10 | RE39063 | SHIELD | 1 | | |
| 11 | 24H1289 | WASHER | 1 | | 21/64" X 5/8" X 0.049" |
| 12 | R46414 | CLAMP | 1 | | |
| 13 | RE39064 | SHIELD | 1 | | |

1H2

6076 ENGINE (ENGINE SERIAL NUMBER -499999)

STARTER MAIN FRAME AND COIL
 (12 VOLT) (JOHN DEERE)
 (DENSO NO. 028000-3292)
 (ENGINE SERIAL NO. -136850)
 RG1171 -UN-01JAN94



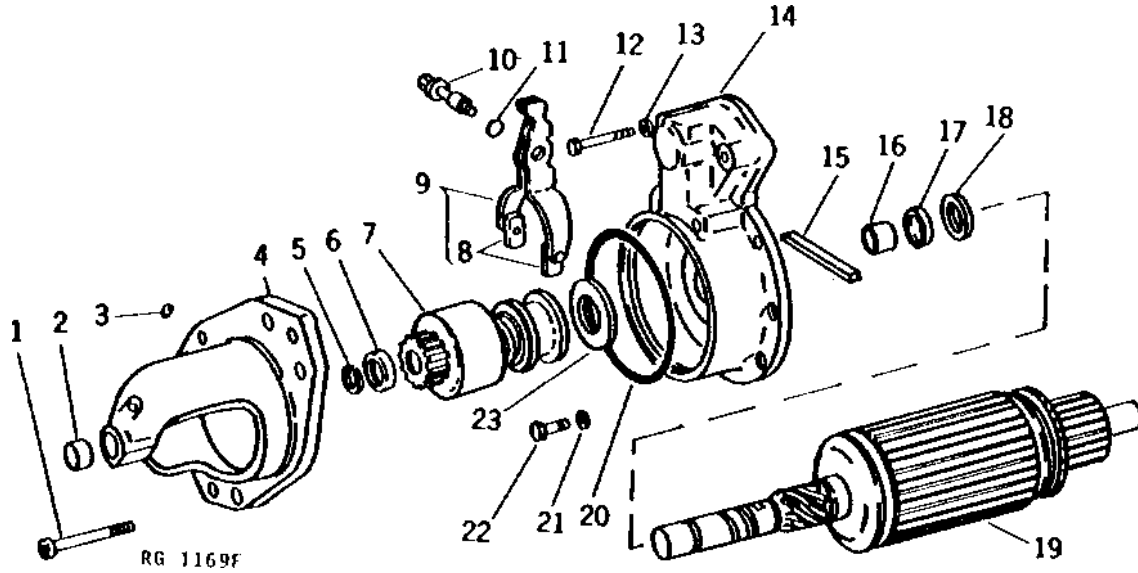
RG 1171

| KEY | PART NO. | PART NAME | QTY | ENGINE SERIAL NO. | REMARKS |
|-----|----------|--------------------|-----|-------------------------|---------|
| 1 | RE13731 | FIELD WINDING COIL | 1 | | |
| 2 | R50913 | O-RING | 1 | | |
| 3 | R50916 | WASHER | 1 | | |
| 4 | 12H246 | LOCK WASHER | 3 | 0.190" | |
| 5 | R50907 | NUT | 2 | | |
| 6 | 24H1283 | WASHER | 1 | 7/32" X 1/2" X 0.049" | |
| 7 | R50914 | WASHER | 1 | | |
| 8 | R50915 | O-RING | 1 | | |
| 9 | R50920 | BUSHING | 1 | | |
| 10 | R50917 | WASHER | 1 | | |
| 11 | R50899 | LOCK WASHER | 1 | | |
| 12 | R50909 | NUT | 1 | | |
| 13 | R56802 | STUD | 1 | | |
| 14 | R50918 | WASHER | 1 | | |
| 15 | R50919 | O-RING | 1 | | |
| 16 | R50922 | O-RING | 1 | | |
| 17 | | FRAME | 1 | (SUB RE41875 OR TY6713) | |
| 18 | R50921 | SCREW | 8 | | |
| 19 | R51664 | DOWEL PIN | 1 | | |
| 20 | R50931 | SCREW | 1 | | |

1H3

6076 ENGINE (ENGINE SERIAL NUMBER -499999)

STARTER DRIVE HOUSING AND ARMATURE
 (12 VOLT) (JOHN DEERE)
 (DENSO NO. 028000-3292)
 (ENGINE SERIAL NO. -136850)
 RG1169 -UN-01JAN94

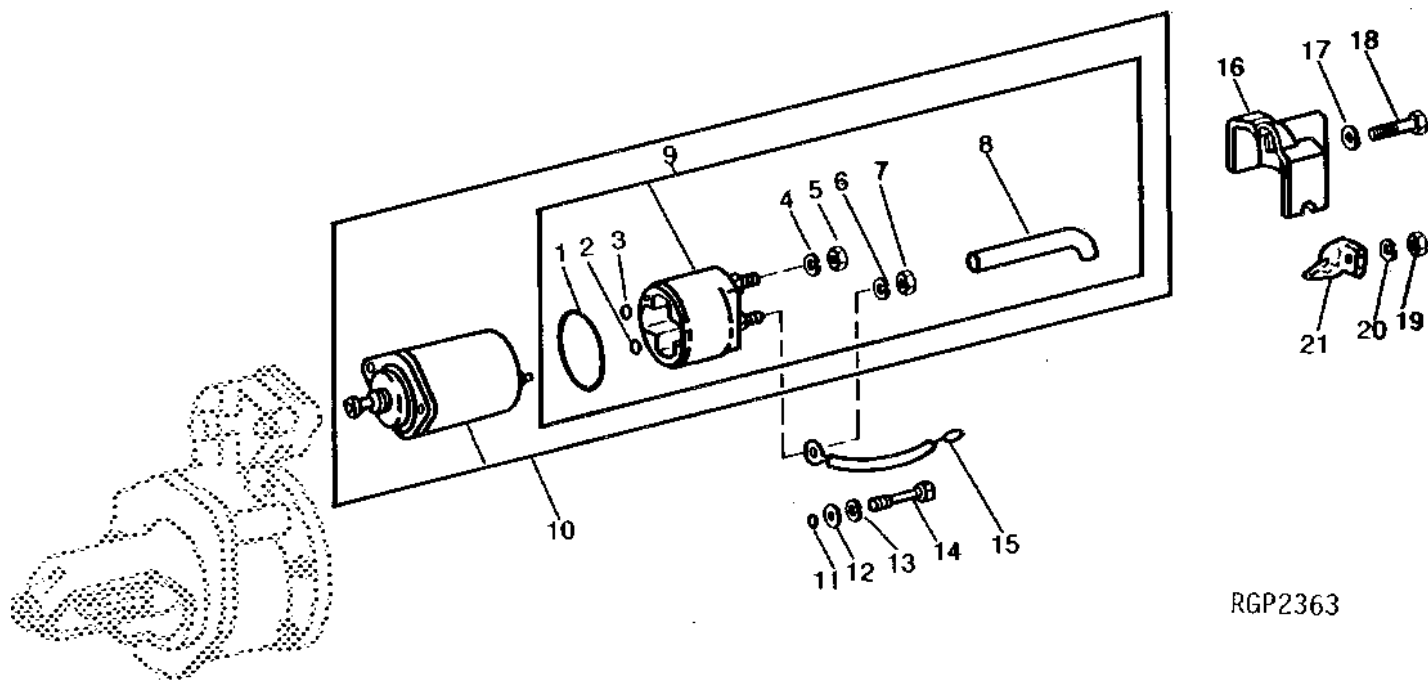


| KEY | PART NO. | PART NAME | QTY | ENGINE SERIAL NO. | REMARKS |
|-----|----------|---------------|-----|-------------------|---------|
| 1 | R50900 | SCREW | 6 | | |
| 2 | R50891 | BUSHING | 1 | | |
| 3 | R50892 | PLUG | 2 | | |
| 4 | AR54990 | HOUSING | 1 | | |
| 5 | R50902 | SNAP RING | 1 | | |
| 6 | R50903 | STOP | 1 | | |
| 7 | AR54992 | DRIVE | 1 | | |
| 8 | R51667 | WEAR PLATE | 2 | | |
| 9 | AR67827 | ARM | 1 | | |
| 10 | R50897 | SHAFT | 1 | | |
| 11 | R52387 | O-RING | 1 | | |
| 12 | R50893 | SCREW | 2 | | |
| 13 | 12H302 | LOCK WASHER | 2 | 1/4" | |
| 14 | AR68430 | HOUSING | 1 | | |
| 15 | R51666 | WICK | 1 | | |
| 16 | R51665 | BUSHING | 1 | | |
| 17 | AR55947 | SEAL | 1 | | |
| 18 | R50906 | THRUST WASHER | 1 | | |
| 19 | AR66778 | ARMATURE | 1 | | |
| 20 | R50901 | WASHER | 1 | | |
| 21 | 12H303 | LOCK WASHER | 2 | 5/16" | |
| 22 | R51661 | SCREW | 2 | | |
| 23 | R50905 | WEAR RING | 1 | | |

1H4

6076 ENGINE (ENGINE SERIAL NUMBER -499999)

STARTER SOLENOID SWITCH
 (12 VOLT) (JOHN DEERE)
 (DENSO NO. 028000-3292)
 (ENGINE SERIAL NO. -136850)
 RGP2363 -UN-01JAN94



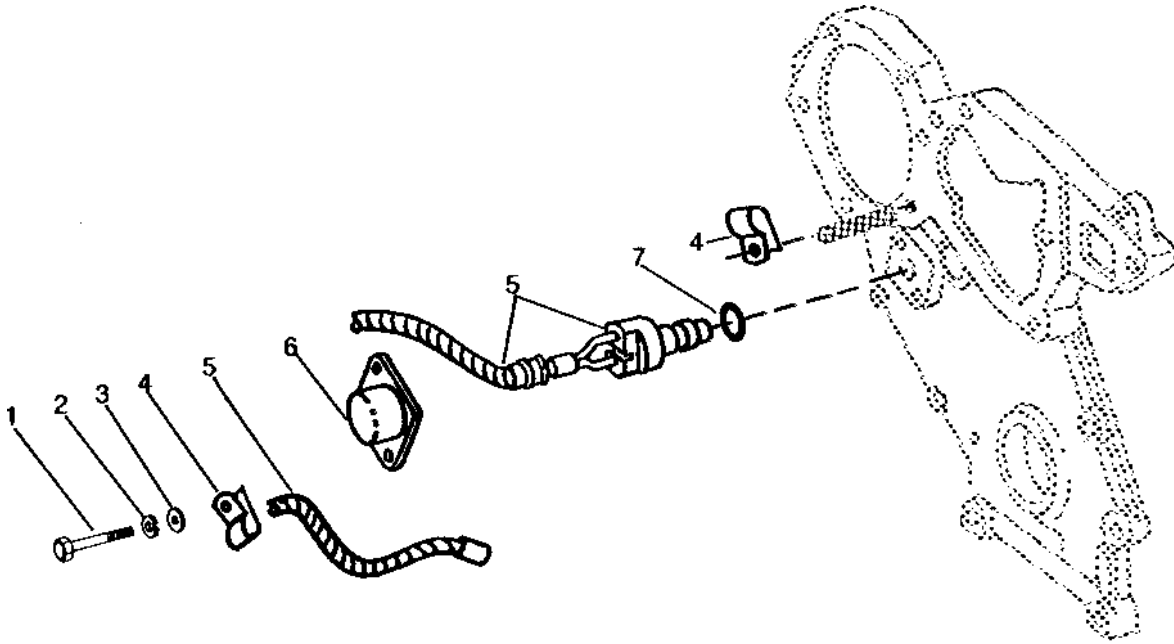
RGP2363

| KEY | PART NO. | PART NAME | QTY | ENGINE SERIAL NO. | REMARKS |
|-----|----------|-------------|-----|---|---------|
| 1 | R68224 | GASKET | 1 | | |
| 2 | R56792 | WASHER | 1 | | |
| 3 | R56793 | SHIM | 1 | | |
| 4 | 12H303 | LOCK WASHER | 1 | 5/16" | |
| 5 | R51671 | NUT | 1 | | |
| 6 | 12H246 | LOCK WASHER | 1 | 0.190" | |
| 7 | 14H631 | NUT | 1 | 0.190" | |
| 8 | R68222 | HOSE | 1 | | |
| 9 | RE13733 | SWITCH | 1 | (DENSO NO. 028099-3600) | |
| 10 | RE13732 | SOLENOID | 1 | (DENSO NO. 028099-3610) | |
| 11 | R50894 | O-RING | 2 | | |
| 12 | 24H1305 | WASHER | 2 | 13/32" X 13/16" X 0.065" | |
| 13 | 24H1283 | WASHER | 2 | 7/32" X 1/2" X 0.049" | |
| 14 | R51669 | SCREW | 2 | | |
| 15 | RE15058 | WIRE | 1 | | |
| 16 | R76139 | COVER | 1 | (SUB RE39064) | |
| 17 | R51662 | WASHER | 1 | | |
| 18 | AR55946 | SCREW | 1 | | |
| 19 | 14H732 | NUT | 1 | 3/8" | |
| 20 | R50899 | LOCK WASHER | 1 | | |
| 21 | R50910 | CONNECTOR | 1 | (DENSO NO. 028172-5060) (SUB FOR AR90070) | |

1H5

6076 ENGINE (ENGINE SERIAL NUMBER -499999)

MAGNETIC PICK-UP
 (ENGINE SERIAL NO. -499999)
 RGP1236 -UN-01JAN94



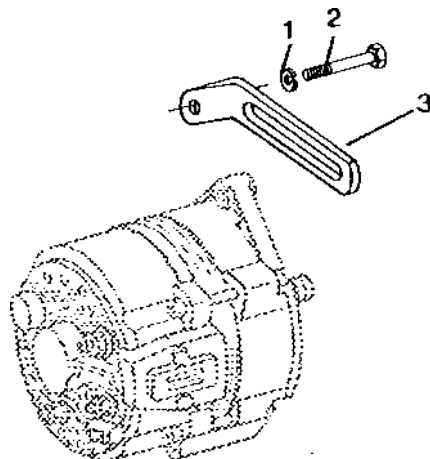
RGP1236

| KEY | PART NO. | PART NAME | QTY | ENGINE SERIAL NO. | REMARKS |
|-----|----------|-------------|-----|-------------------|----------------------------|
| 1 | 19H1948 | CAP SCREW | 2 | | 1/4" X 3/4" |
| 2 | 12H302 | LOCK WASHER | 2 | | 1/4", (NO LONGER REQUIRED) |
| 3 | 24H1287 | WASHER | 2 | | 9/32" X 5/8" X 0.065" |
| 4 | T13814 | CLAMP | 2 | | |
| 5 | RE12180 | SENSOR | 1 | | |
| 6 | R67230 | COVER | 1 | | |
| 7 | R79915 | O-RING | 1 | | |

1H6

6076 ENGINE (ENGINE SERIAL NUMBER -499999)

ALTERNATOR ADJUSTING STRAP
(6076)
(ENGINE SERIAL NO. -499999)
RGP3521 -UN-01JAN94



RGP3521

| KEY | PART NO. | PART NAME | QTY | ENGINE SERIAL NO. | REMARKS |
|-----|----------|-----------|-----|-------------------|----------------------------------|
| 1 | 24H1136 | WASHER | 1 | | 11/32" X 11/16" X 0.065" |
| 2 | 19H1897 | CAP SCREW | 1 | | 5/16" X 3-3/4", (HH001 OR HH004) |
| | 19H1904 | CAP SCREW | 1 | | 5/16" X 3", (HH003) |
| 3 | R67362 | STRAP | 1 | | |

2B23

6076 ENGINE (ENGINE SERIAL NUMBER 500000-)

TORQ-GARD SUPREME AND PLUS-50 ENGINE OIL

RGP3291 -UN-01JAN94



RGP 3291

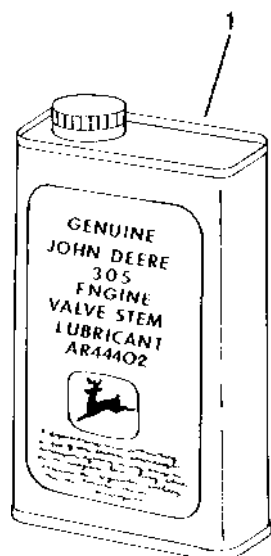
| KEY | PART NO. | PART NAME | QTY | ENGINE SERIAL NO. | REMARKS |
|-----|----------|-----------|-----|--|---------|
| 1 | TY22064 | OIL | 1 | (SAE 5W/30), 0.9L (1 QT) | |
| | TY22065 | OIL | 1 | (SAE 5W/30), 19L (5 GAL) | |
| | TY22066 | OIL | 1 | (SAE 5W/30), 208L (55 GAL) | |
| | TY6364 | OIL | 1 | (SAE 10W/30), 0.9L (1 QT) (BREAKIN) | |
| | TY22067 | OIL | 1 | (SAE 10W), .9L (1 GAL) | |
| | TY22068 | OIL | 1 | (SAE 10W), 19L (5 GAL) | |
| | TY22069 | OIL | 1 | (SAE 10W), 208L (55 GAL) | |
| | TY22070 | OIL | 1 | (SAE 30W), 0.9L (1 GAL) | |
| | TY22073 | OIL | 1 | (SAE 30W), 19L (5 GAL) | |
| | TY6280 | OIL | 1 | (SAE 30W), 114L (30 GAL) | |
| | TY22074 | OIL | 1 | (SAE 30W), 208L (55 GAL) | |
| | 2 TY6389 | OIL | 1 | (SAE 15W/40), 0.9 L (1 QT) | |
| | TY22008 | OIL | 1 | (SAE 15W/40), 3.8 L (1 GAL) | |
| | TY6390 | OIL | 1 | (SAE 15W/40), 19 L (5 GAL) | |
| | TY22010 | OIL | 1 | (SAE 15W/40), 113.6 L (30 GAL) | |
| | TY6391 | OIL | 1 | (SAE 15W/40), 208 L (55 GAL) | |
| | TY6392 | OIL | 1 | (SAE 30W), 0.9 L (1 QT) | |
| | TY22007 | OIL | 1 | (SAE 30W), 3.8 L (1 GAL) | |
| | TY6393 | OIL | 1 | (SAE 30W), 19 L (5 GAL) | |
| | TY22011 | OIL | 1 | (SAE 30W), 113.6 L (30 GAL) | |
| | TY6394 | OIL | 1 | (SAE 30W), 208 L (55 GAL) | |
| .. | TY22041 | OIL | 1 | (SAE 10W/30), 3.8 L (1 GAL) (BREAKIN) | |
| .. | TY22042 | OIL | 1 | (SAE 10W/30), 208 L (55 GAL) (BREAKIN) | |

MEMORANDA

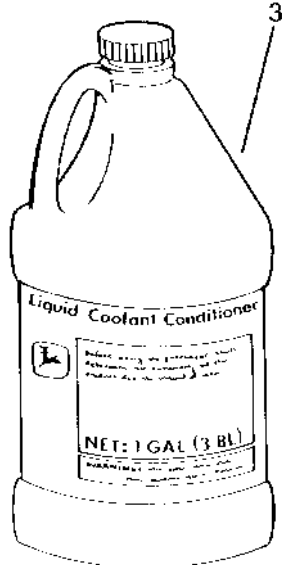
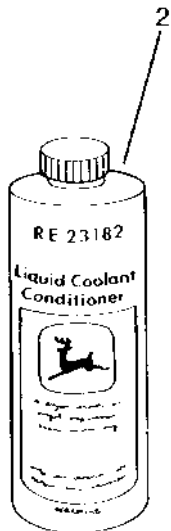
2B24

6076 ENGINE (ENGINE SERIAL NUMBER 500000-)

ACCESSORY PARTS
RGP3041 -UN-01JAN94



RGP3041

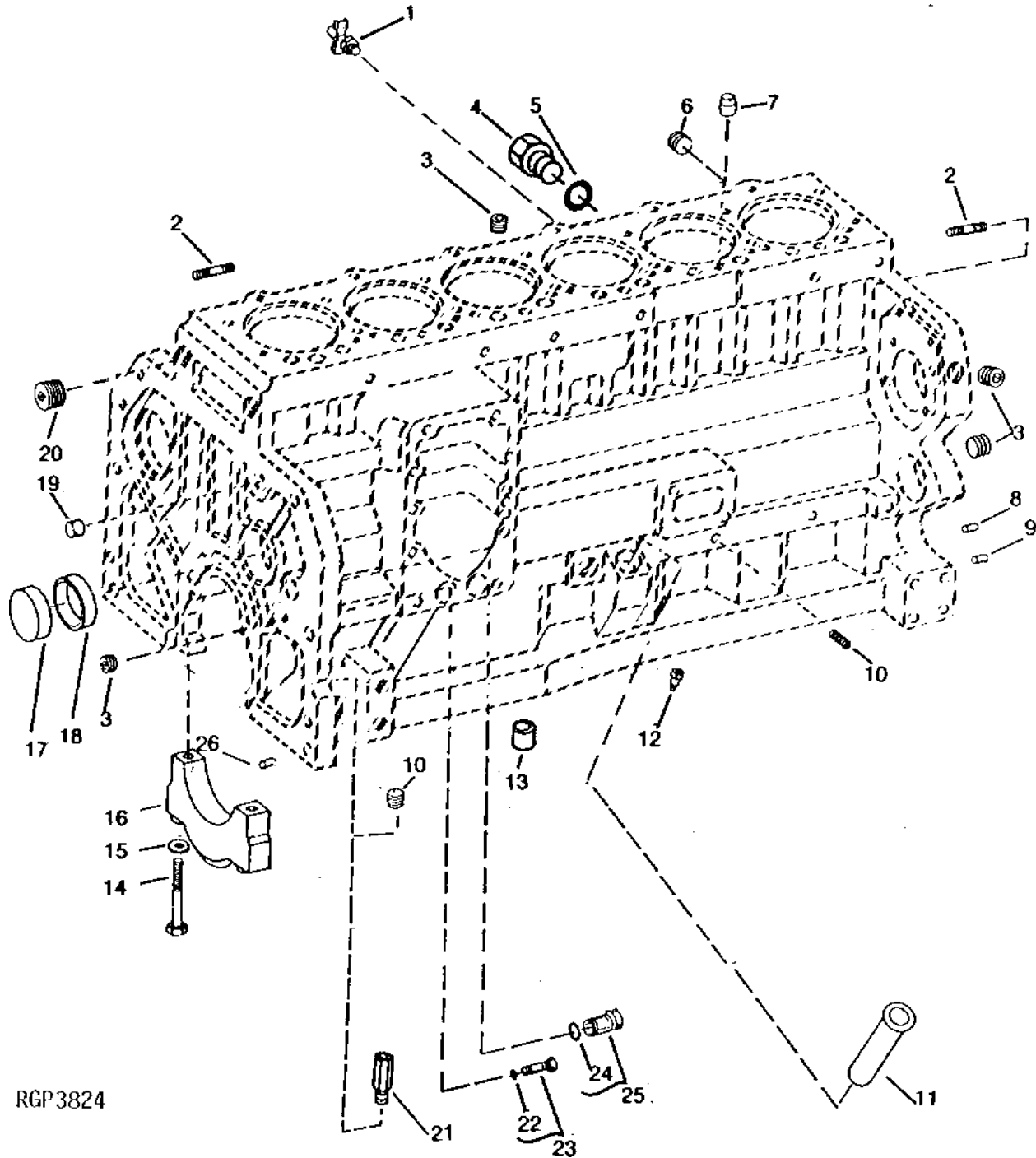


| KEY | PART NO. | PART NAME | QTY | TRACTOR SERIAL NO. | REMARKS |
|-----|----------|----------------------------|-----|--------------------|---------------------------------------|
| 1 | AR44402 | OIL | 1 | | 0.9 L (1 QT) |
| 2 | TY16004 | ENGINE COOLANT CONDITIONER | 1 | | 0.472 L (16 OZ) |
| 3 | TY16005 | ENGINE COOLANT CONDITIONER | 1 | | 3.8 L (1 GAL) |
| 4 | AR54749 | LUBRICANT | 1 | | 0.9 L (1 QT) |
| .. | AT66865 | LUBRICANT | 1 | | (ELECTRICAL CONNECTIONS) |
| .. | AR41785 | KIT | 1 | | 0.9 L (1 QT) |
| .. | AR21969 | KIT | 1 | | (CAP PLUG) |
| .. | DS0251 | KIT | 1 | | (COOLANT SCAN TEST) |
| .. | IPSKIT1 | KIT | 1 | | (OIL SCAN TEST) |
| .. | DS0557 | VALVE | 1 | | (SAMPLING SYSTEM) |
| .. | TY16423 | INDICATOR | 1 | | (COOLANT EYE - FILL OR FLUSHING PORT) |

2C1

6076 ENGINE (ENGINE SERIAL NUMBER 500000-)

CYLINDER BLOCK FITTINGS
(ENGINE SERIAL NO. 500000-)
RGP3824 -UN-01JAN94



2C2

6076 ENGINE (ENGINE SERIAL NUMBER 500000-)

CYLINDER BLOCK FITTINGS - CONTINUED
(ENGINE SERIAL NO. 500000-)

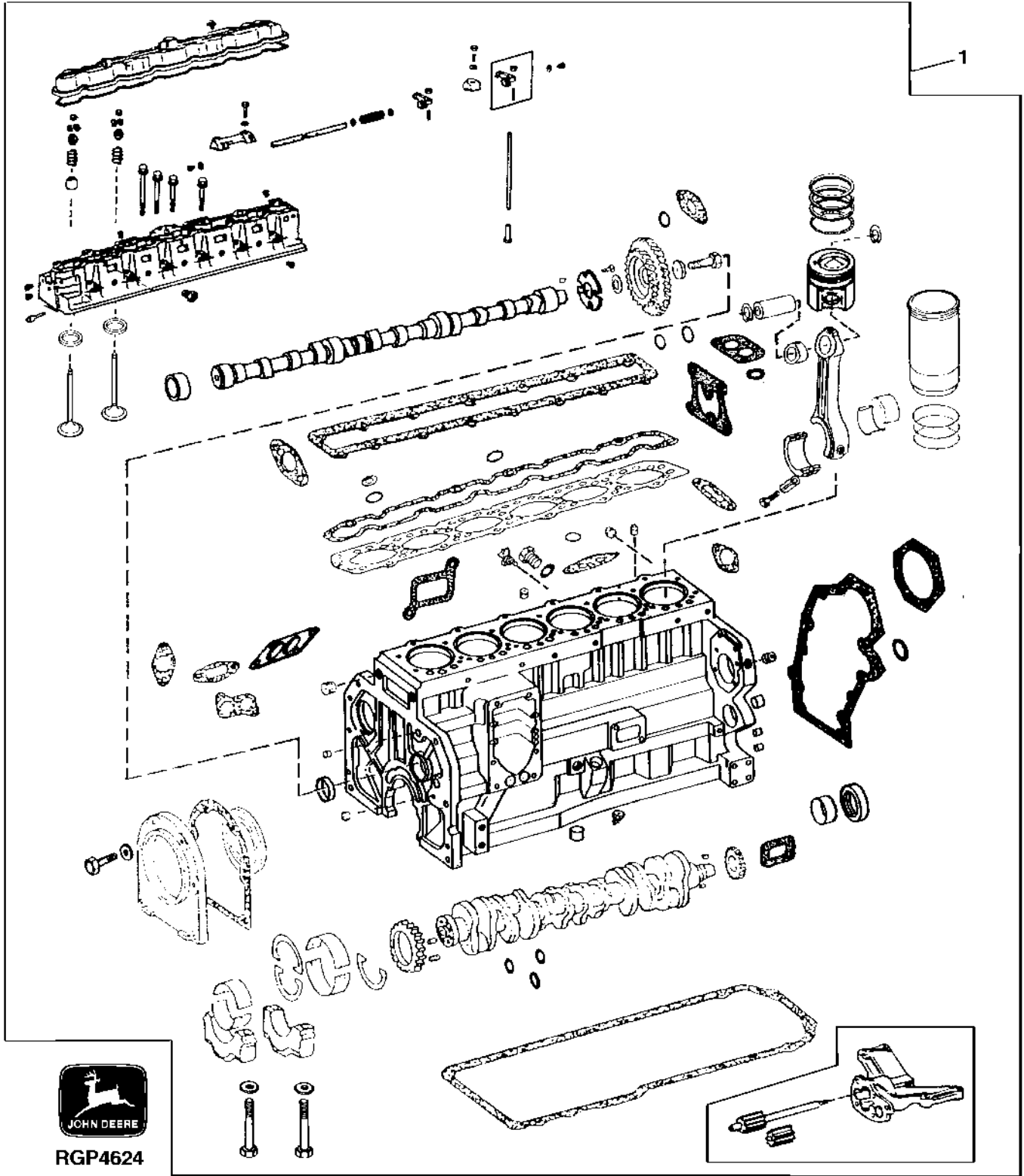
| KEY | PART NO. | PART NAME | QTY | ENGINE SERIAL NO. | REMARKS |
|-----|----------|----------------|-----|-----------------------|---------|
| 1 | AT13740 | DRAIN VALVE | 1 | | |
| 2 | R55396 | STUD | 5 | | |
| 3 | 15H624 | PIPE PLUG | 4 | (A) 1/2" | |
| | 15H624 | PIPE PLUG | 3 | (B) 1/2" | |
| 4 | R39741 | DRAIN PLUG | 1 | | |
| 5 | U13639 | O-RING | 1 | | |
| 6 | 15H690 | PIPE PLUG | 1 | 3/4" | |
| 7 | R42340 | BUSHING | 2 | | |
| 8 | R1612R | DOWEL PIN | 2 | | |
| 9 | F1743R | DOWEL PIN | 2 | | |
| 10 | R104592 | PIPE PLUG | 6 | (A) | |
| 11 | R104574 | DIPSTICK TUBE | 1 | | |
| 12 | R43621 | ORIFICE | 6 | | |
| 13 | R62930 | BUSHING | 2 | (NOT INSTALLED) | |
| 14 | R42365 | BOLT | 14 | | |
| 15 | R70268 | WASHER | 14 | | |
| 16 | R57158 | BEARING CAP | 6 | (MAIN) | |
| | R57159 | BEARING CAP | 1 | (THRUST) | |
| 17 | R82007 | CAP | 1 | | |
| 18 | R87561 | BUSHING | 4 | | |
| 19 | R61288 | DOWEL PIN | 1 | | |
| 20 | 15H562 | PIPE PLUG | 1 | 1" | |
| 21 | R53014 | FITTING | NA | | |
| 22 | A4365R | O-RING | 1 | | |
| 23 | AR61589 | PLUG | 1 | | |
| 24 | R27149 | O-RING | 1 | | |
| 25 | AR61533 | PLUG | 1 | | |
| 26 | H79910 | DOWEL PIN | NA | | |
| .. | RE57420 | SCREW | 2 | (TOP FRONT L.H. HOLE) | |
| .. | | CYLINDER BLOCK | NA | | |

(A) HH030, HH032, HH034, HH036,
(B) HH031, HH035

2C3

6076 ENGINE (ENGINE SERIAL NUMBER 500000-)

COMPLETE BLOCK ASSEMBLY
(ENGINE SERIAL NO. 500000-)
RGP4624 -UN-13DEC95



RGP4624

2C4

6076 ENGINE (ENGINE SERIAL NUMBER 500000-)

COMPLETE BLOCK ASSEMBLY - CONTINUED
(ENGINE SERIAL NO. 500000-)

| KEY | PART NO. | PART NAME | QTY | ENGINE SERIAL NO. | REMARKS |
|-----|----------|-------------------------|-----|-------------------|--------------------------------|
| 1 | RG25825 | COMPLETE BLOCK ASSEMBLY | 1 | | (B) (ALSO ORDER R104574, APPL) |
| | RG25273 | COMPLETE BLOCK ASSEMBLY | 1 | | (A) (ALSO ORDER R104574, APPL) |

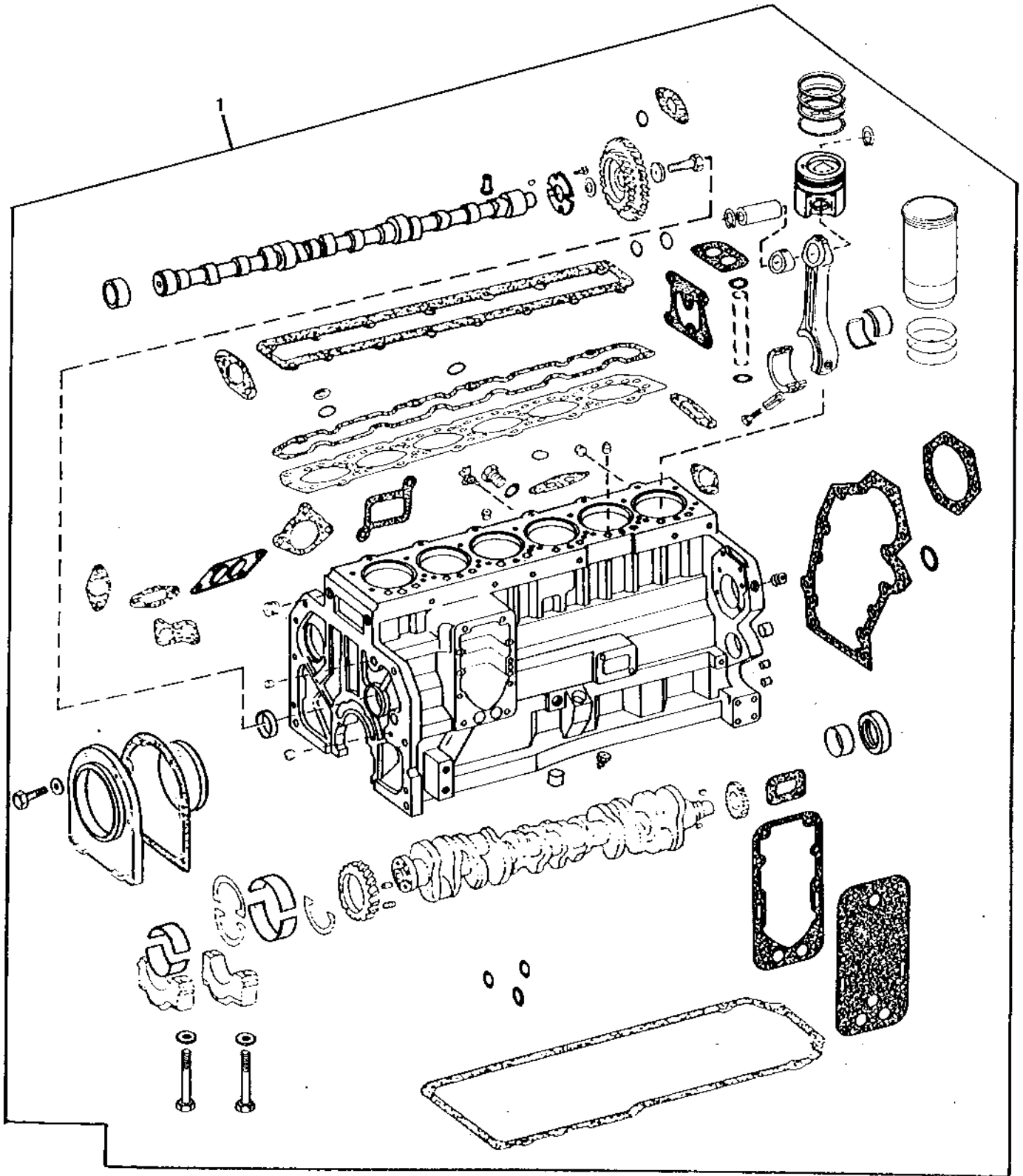
(A) (USE WITH BLOCK MARKED R94561, R119995, OR R122736, 27MM WIDE GEAR TRAIN, AND 95MM INJECTION PUMP BORE) 6076HH030, HH031 (ESN 538146-), HH032, HH034 HH035, OR HH036.

(B) (USE WITH BLOCK MARKED R100406, R119996 OR R122737, 27MM WIDE GEAR TRAIN, AND 85MM INJECTION PUMP BORE) 6076HH031 (ESN 500000-538145)

2C5

6076 ENGINE (ENGINE SERIAL NUMBER 500000-)

ENGINE SHORT BLOCK
(ENGINE SERIAL NO. 500000-)
(WITHOUT HEAD BOLTS)
RGP3581 -UN-01JAN94



RGP3581

2C6

6076 ENGINE (ENGINE SERIAL NUMBER 500000-)

ENGINE SHORT BLOCK - CONTINUED
(ENGINE SERIAL NO. 500000-)

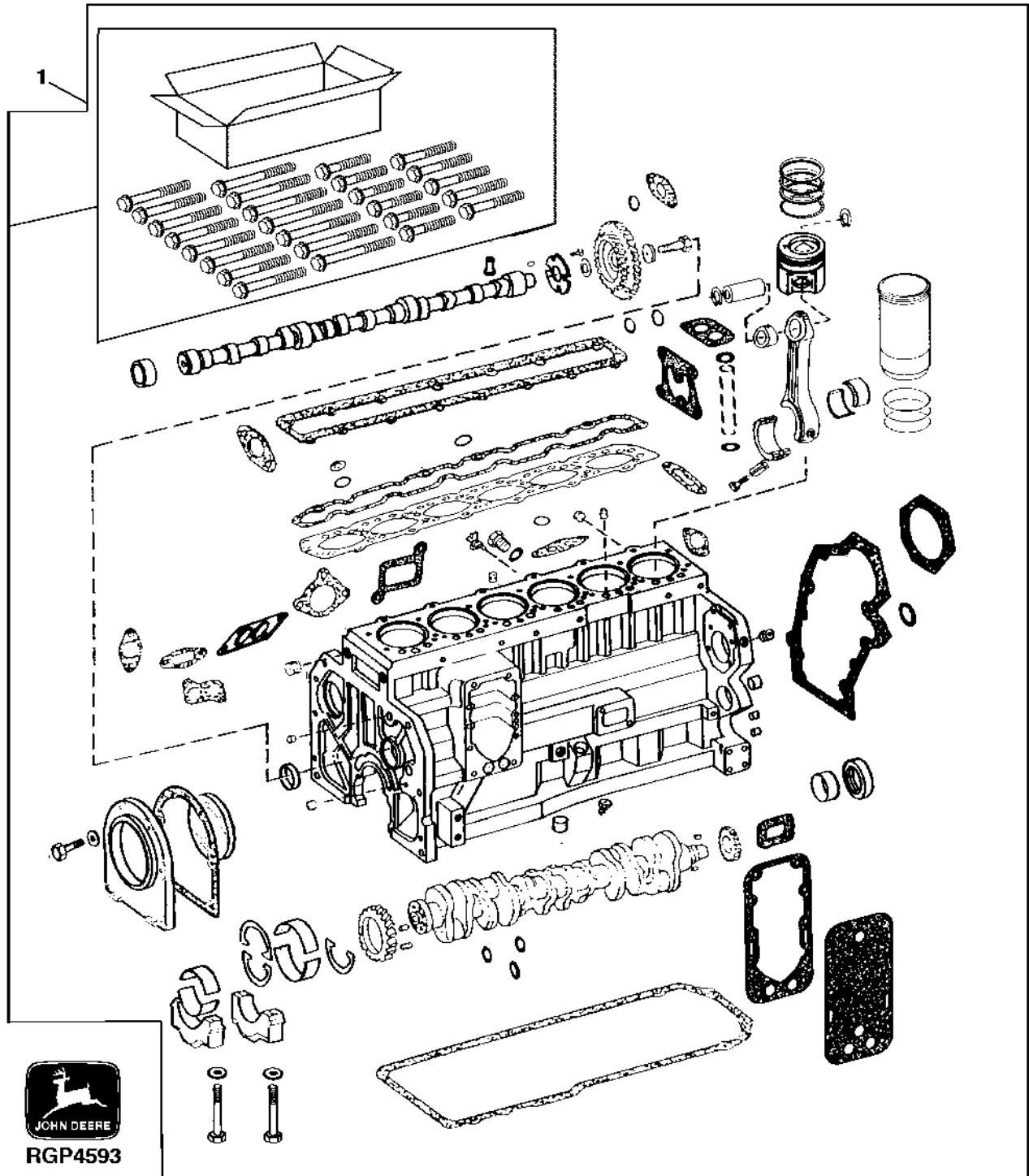
| KEY | PART NO. | PART NAME | QTY | ENGINE SERIAL NO. | REMARKS |
|-----|----------|----------------------|-----|-------------------|---|
| 1 | RE42588 | SHORT BLOCK ASSEMBLY | 1 | -509679 | (A) (D) (MARKED R94561) (USE WITH RE41821) (SUB RE65052 AND R104574, APPL) |
| | RE53470 | SHORT BLOCK ASSEMBLY | 1 | 509680-XXXXXX | (A) (D) (MARKED R94561) (SUB RE65052 AND R104574, APPL) |
| | RE55444 | SHORT BLOCK ASSEMBLY | 1 | XXXXXX-520643 | (A) (D) (MARKED R119995) (SUB RE65052 AND R104574, APPL) |
| | RE58463 | SHORT BLOCK ASSEMBLY | 1 | 520644-XXXXXX | (A) (D) (MARKED R119995) (SUB RE65052 AND R104574, APPL) |
| | RE60386 | SHORT BLOCK ASSEMBLY | 1 | XXXXXX- | (A) (D) (MARKED R122736) (SUB RE65052 AND R104574, APPL) |
| | RE42149 | SHORT BLOCK ASSEMBLY | 1 | -509679 | (B) (C) (MARKED R100406) (USE WITH RE41821) (SUB RE65077 AND R104574, APPL) |
| | RE53458 | SHORT BLOCK ASSEMBLY | 1 | 509680-538145 | (B) (C) (MARKED R100406) (SUB RE65077 AND R104574, APPL) |
| | RE55445 | SHORT BLOCK ASSEMBLY | 1 | XXXXXX-520643 | (B) (C) (MARKED R119996) (SUB RE65077 AND R104574, APPL) |
| | RE58465 | SHORT BLOCK ASSEMBLY | 1 | 520644-538145 | (B) (C) (MARKED R119996) (SUB RE65077 AND R104574, APPL) |
| | RE60452 | SHORT BLOCK ASSEMBLY | 1 | XXXXXX-538145 | (B) (C) (MARKED R122737) (SUB RE65077 AND R104574, APPL) |
| | RE60386 | SHORT BLOCK ASSEMBLY | 1 | 538146- | (B) (D) (MARKED R122736) (SUB RE65052 AND R104574, APPL) |

- (A) 6076HH030 (9600 OPT. HP)
- (B) 6076HH031 (9600 STD. HP)
- (C) 85MM INJECTION PUMP BORE
- (D) 95MM INJECTION PUMP BORE

2C7

6076 ENGINE (ENGINE SERIAL NUMBER 50000-)

**ENGINE SHORT BLOCK
(WITH HEAD BOLTS)**
RGP4593 -UN-26OCT95



2C8

6076 ENGINE (ENGINE SERIAL NUMBER 500000-)

ENGINE SHORT BLOCK - CONTINUED (WITH HEAD BOLTS)

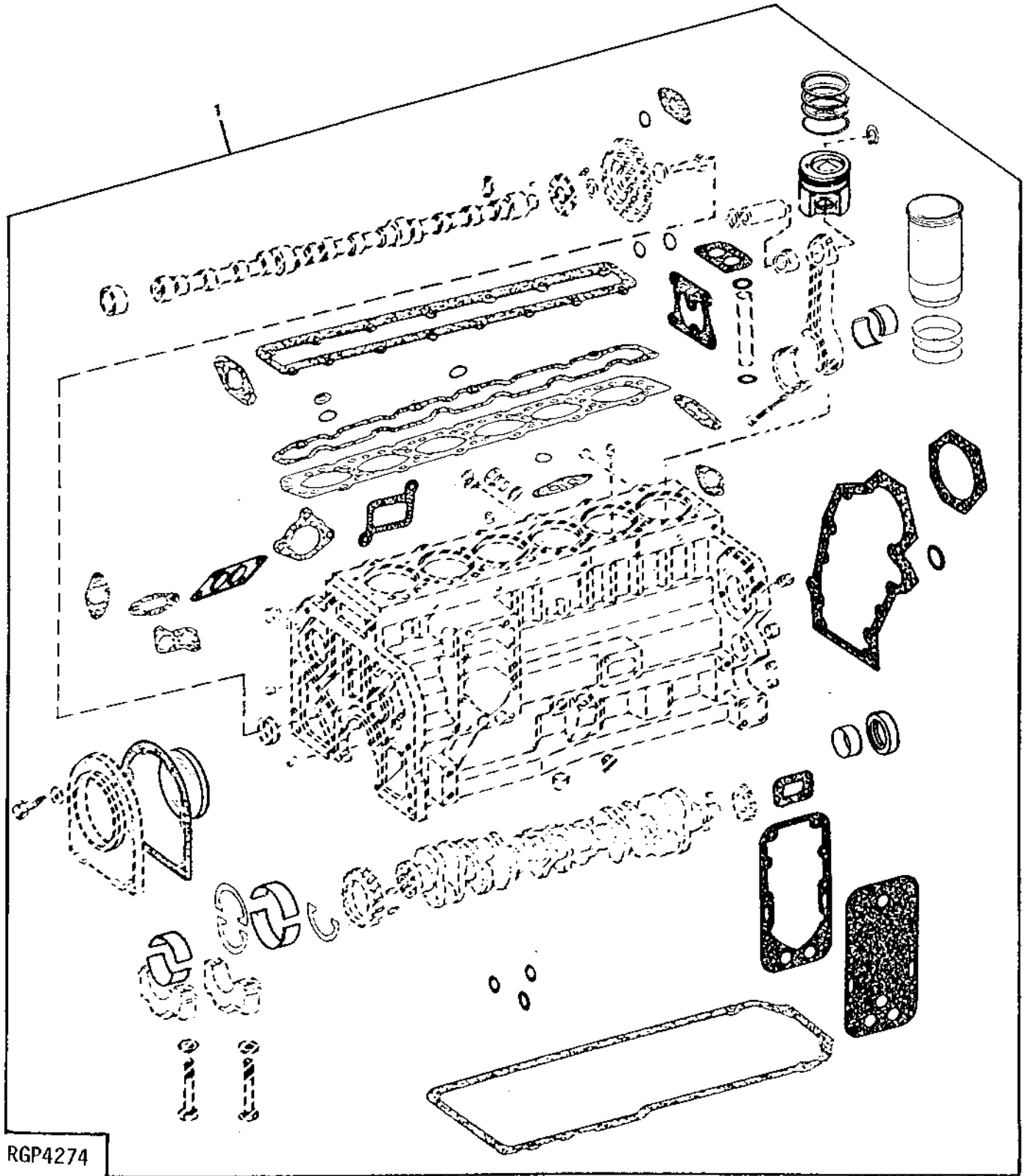
| KEY | PART NO. | PART NAME | QTY | ENGINE SERIAL NO. | REMARKS |
|-----|----------|----------------------|-----|-------------------|--|
| 1 | RE65052 | SHORT BLOCK ASSEMBLY | 1 | | (A) (C) (MARKED R122736) (ALSO ORDER R104574, APPL) (CONTAINS (26) "SPECIAL" HEAD BOLTS) |
| | RE65077 | SHORT BLOCK ASSEMBLY | 1 | | (B) (D) (MARKED R122737) (ALSO ORDER R104574, APPL) (CONTAINS (26) "SPECIAL" HEAD BOLTS) |

- (A) 6076HH030 OR HH034 (9600 OPT. HP)
- (B) 6076HH031 OR HH035 (9600 STD. HP)
- (C) 95MM INJECTION PUMP BORE
- (D) 85MM INJECTION PUMP BORE

2C9

6076 ENGINE (ENGINE SERIAL NUMBER 500000-)

ENGINE OVERHAUL KIT(S) (STD/US BRGS, OR EXPANDED)
(ENGINE SERIAL NO. 500000-)
RGP4274 -UN-01JAN94



2C10

6076 ENGINE (ENGINE SERIAL NUMBER 500000-)

ENGINE OVERHAUL KIT(S) (STD/US BRGS, OR EXPANDED) - CONTINUED
(ENGINE SERIAL NO. 500000-)

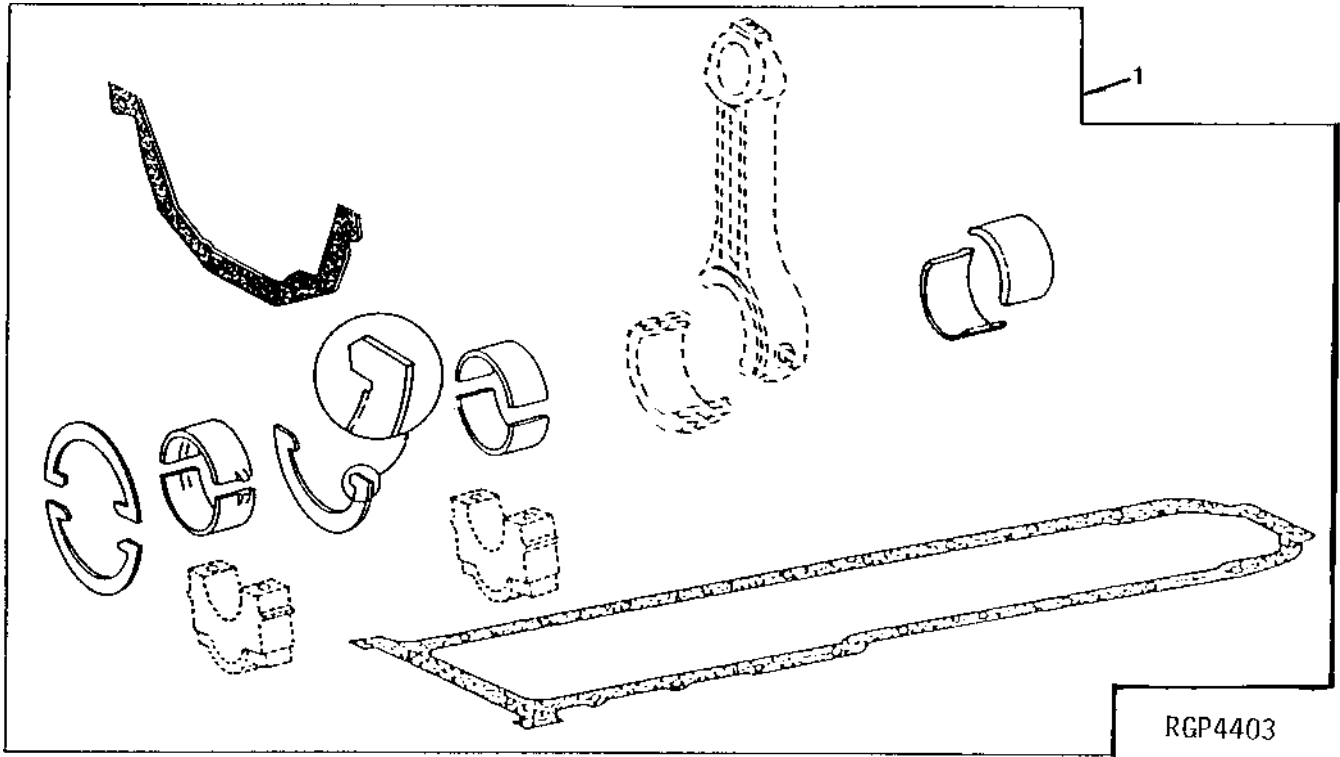
| KEY | PART NO. | PART NAME | QTY | ENGINE SERIAL NO. | REMARKS |
|-----|----------|---------------------|-----|-------------------|---|
| 1 | RE64212 | ENGINE OVERHAUL KIT | 1 | | (CONTAINS (6) RE60294 PISTON LINERS, GASKET KIT, STD BEARINGS, FRONT/REAR SEALS AND SNAP RINGS) (ALSO ORDER R66452 ROD BOLTS) (SUB FOR RG22793 OR RE60296) |
| | RE66784 | ENGINE OVERHAUL KIT | 1 | | (NOT AS SHOWN) (EXPANDED - STD BEARINGS KIT) (CONTAINS RE64212 PARTS, (12) R66452, (6) R74008, (6) R57771 AND (4) R87561) (SUB RG27920) |
| | RG27920 | ENGINE OVERHAUL KIT | 1 | 17DEC7- | |
| | RE66785 | ENGINE OVERHAUL KIT | 1 | | (NOT AS SHOWN) (EXPANDED .010" US BRGS KIT) (CONTAINS (6) RE60294, (6) AR73279, (6) AR74816, AR77750, AR77753, RE64206, AR49025, RE22764, (12) E1343FN, (12) R66452, (6) R74008, (6) R57771 AND (4) R87561) (SUB RG27921) |
| | RG27921 | ENGINE OVERHAUL KIT | 1 | 17DEC7- | |

2C11

6076 ENGINE (ENGINE SERIAL NUMBER 500000-)

ENGINE UNDERHAUL KIT (STD BRGS)

(6076)
RGP4403 -UN-14DEC94



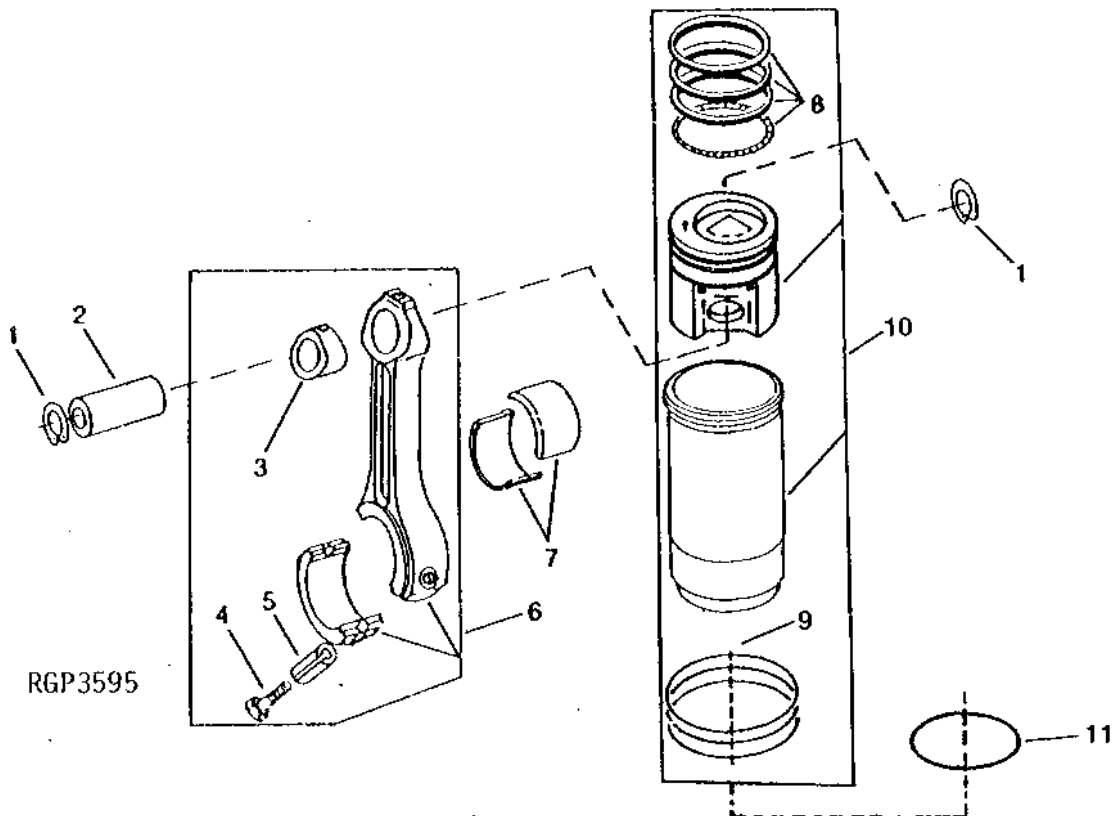
| KEY | PART NO. | PART NAME | QTY | ENGINE SERIAL NO. | REMARKS |
|-----|----------|-----------|-----|-------------------|--|
| 1 | RG23426 | KIT | 1 | | (INCLUDES STD BRGS, OIL PAN GASKET, AND SPLIT GASKETS) (SUB FOR RG22789) |

2C12

6076 ENGINE (ENGINE SERIAL NUMBER 500000-)

PISTON, RINGS, LINERS AND CONNECTING RODS

(6076) (ESN 500000-)
RGP3595 -UN-01JAN94

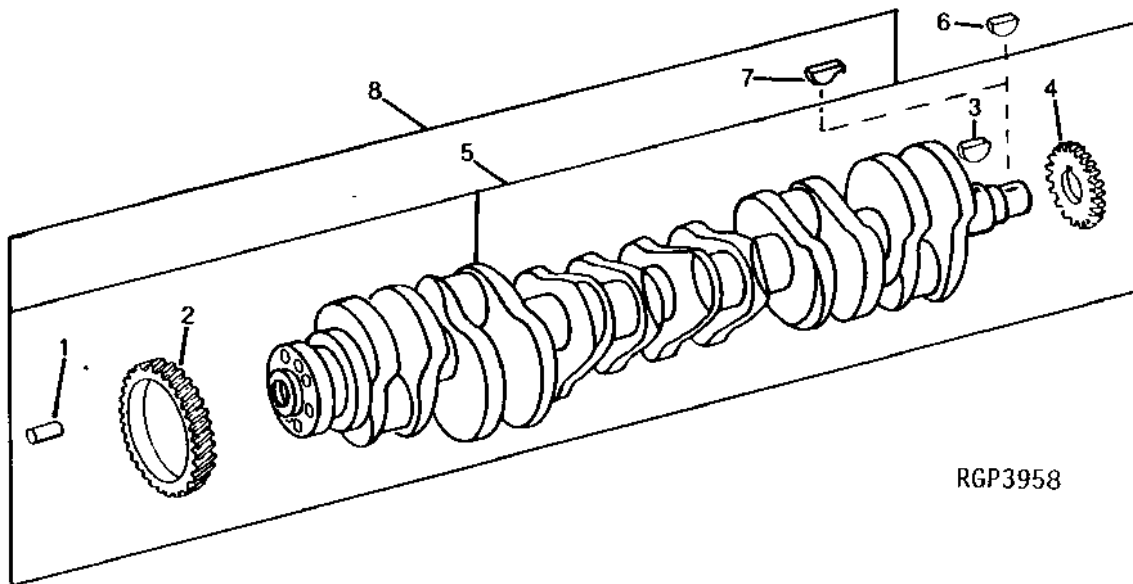


| KEY | PART NO. | PART NAME | QTY | ENGINE SERIAL NO. | REMARKS |
|-----|----------|----------------|-----|-------------------|--------------------------------------|
| 1 | E1343FN | SNAP RING | 12 | | |
| 2 | R57771 | PISTON PIN | 6 | | |
| 3 | R74008 | BUSHING | 6 | | |
| 4 | R66452 | CAP SCREW | 12 | | |
| 5 | R53292 | SLEEVE | 12 | | |
| 6 | AR93341 | CONNECTING ROD | 6 | | (MARKED R71074) |
| 7 | AR73277 | BEARING | AR | | STD (PKG (2) R57583) |
| | AR73278 | BEARING | AR | | 0.05MM (.002") US (PKG (2) R60485) |
| | AR73279 | BEARING | AR | | 0.25MM (.010") US (PKG (2) R60486) |
| | AR73280 | BEARING | AR | | 0.51MM (.020") US (PKG (2) R60487) |
| | AR73281 | BEARING | AR | | 0.76MM (.030") US (PKG (2) R60488) |
| 8 | RE48380 | PISTON RING | 6 | -520186 | (USE WITH RE50868) |
| | RE57517 | PISTON RING | 6 | 520187- | (USE WITH RE57512) |
| 9 | AR98850 | KIT | 6 | | |
| 10 | RE48739 | KIT | 6 | -520186 | (MARKED RE50868) (SUB RE60294, APPL) |
| | RE57513 | KIT | 6 | 520187-XXXXXX | (MARKED RE57512) (SUB RE60294) |
| | RE60294 | KIT | 6 | XXXXXX- | (MARKED RE57512) |
| 11 | R93948 | SHIM | 2 | | 0.05MM (.002") (MAXIMUM) |

2C13

6076 ENGINE (ENGINE SERIAL NUMBER 50000-)

CRANKSHAFT
 (ENGINE SERIAL NO. 50000-)
 RGP3958 -UN-01JAN94



| KEY | PART NO. | PART NAME | QTY | ENGINE SERIAL NO. | REMARKS |
|-----|----------|------------|-----|-------------------|--|
| 1 | R41934 | DOWEL PIN | 1 | | |
| 2 | R63326 | GEAR | 1 | | |
| 3 | R120752 | KEY | 1 | | 1/8" X 0.625" |
| 4 | R104587 | GEAR | 1 | | |
| 5 | RE41821 | CRANKSHAFT | 1 | -509679 | (MARKED RE41821) (SUB RG23551) |
| | RE53199 | CRANKSHAFT | 1 | 509680- | (MARKED RE53199) (SUB RG23551) |
| 6 | 26H85 | SHAFT KEY | 1 | -509679 | 1/4" X 1", (USE WITH RE41821) (DAMPER) |
| 7 | R116311 | KEY | 1 | 509680- | (USE WITH RE53199) (DAMPER) |
| 8 | RG23551 | CRANKSHAFT | 1 | | (MARKED RE53199) |

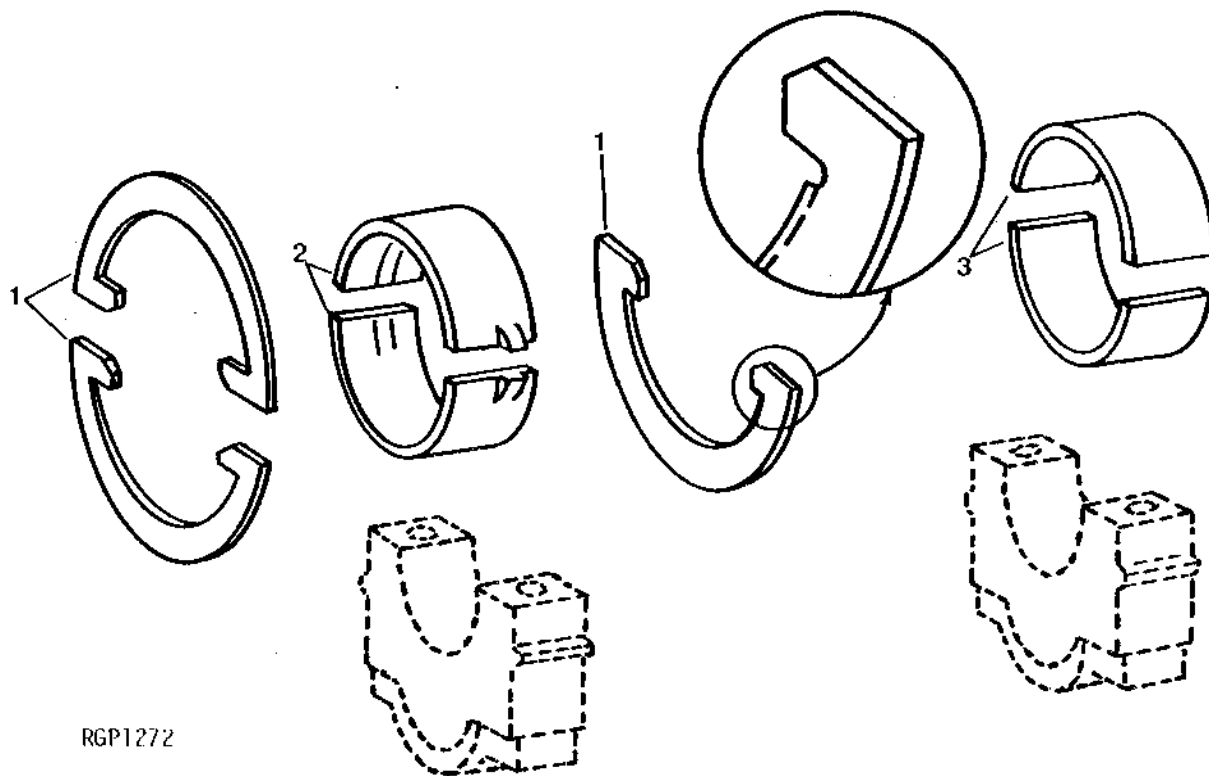
2C14

6076 ENGINE (ENGINE SERIAL NUMBER 500000-)

MAIN AND MAIN THRUST BEARINGS

(6076)

RGP1272 -UN-01JAN94



RGP1272

| KEY | PART NO. | PART NAME | QTY | ENGINE SERIAL NO. | REMARKS |
|-----|----------|----------------|-----|-------------------|--|
| 1 | AR77747 | THRUST WASHER | 1 | | STD (PKG (3) R62986) |
| | AR77753 | THRUST WASHER | 1 | | 0.18 MM (.007") OS (PKG (2) R63010 AND R62986) |
| 2 | AR77748 | THRUST BEARING | 1 | | STD (PKG R62987 AND R62988) |
| | AR77749 | THRUST BEARING | 1 | | 0.05 MM (.002") US (PKG R63002 AND R63006) |
| | AR77750 | THRUST BEARING | 1 | | 0.25 MM (.010") US (PKG R63003 AND R63007) |
| | AR77751 | THRUST BEARING | 1 | | 0.51 MM (.020") US (PKG R63004 AND R63008) |
| | AR77752 | THRUST BEARING | 1 | | 0.76 MM (.030") US (PKG R63005 AND R63009) |
| 3 | AR74814 | BEARING | AR | | STD (PKG R61289 AND R57584) |
| | AR74815 | BEARING | AR | | 0.05 MM (.002") US (PKG R61608 AND R60472) |
| | AR74816 | BEARING | AR | | 0.25 MM (.010") US (PKG R61609 AND R60473) |
| | AR74817 | BEARING | AR | | 0.51 MM (.020") US (PKG R61610 AND R60474) |
| | AR74818 | BEARING | AR | | 0.76 MM (.030") US (PKG R61611 AND R60475) |

2C15

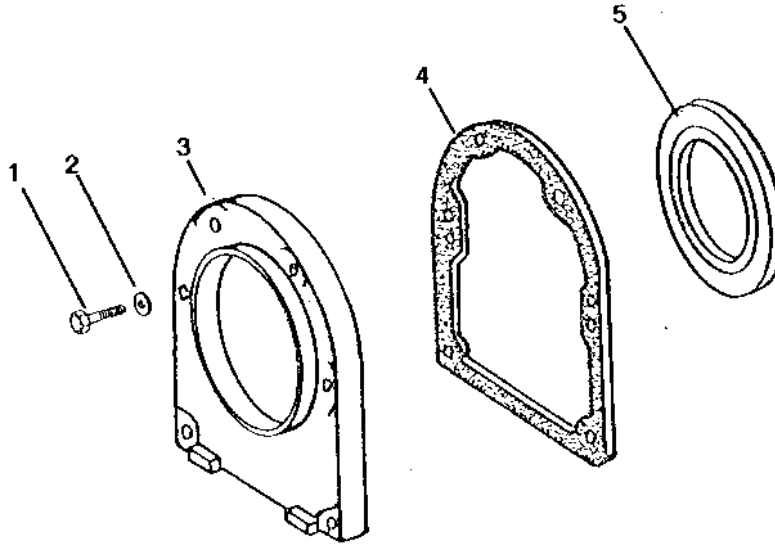
6076 ENGINE (ENGINE SERIAL NUMBER 50000-)

CRANKSHAFT OIL SEAL AND HOUSING

(6076)

RGP2382

-UN-01JAN94



RGP2382

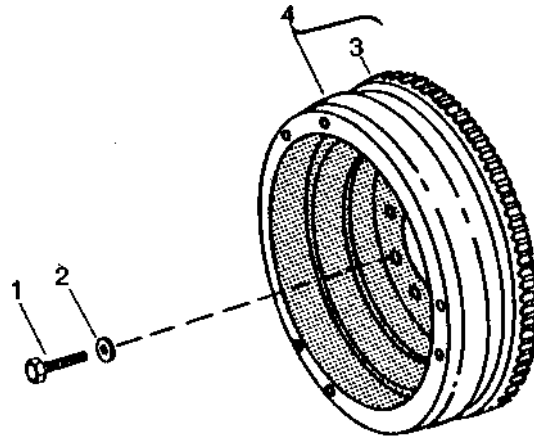
| KEY | PART NO. | PART NAME | QTY | ENGINE SERIAL NO. | REMARKS |
|-----|----------|-----------|-----|-------------------|------------------------------------|
| 1 | R47074 | CAP SCREW | 6 | | 7.925 X 28.448 MM (5/16" X 1.120") |
| 2 | T27860 | WASHER | 6 | | 11/32" X 11/16" X 0.065" |
| 3 | R125027 | HOUSING | 1 | | (SUB FOR R78124 OR R115050) |
| 4 | R26058 | GASKET | 1 | | |
| 5 | RE22764 | SEAL | 1 | | |

2C16

6076 ENGINE (ENGINE SERIAL NUMBER 50000-)

FLYWHEEL

RGP198 -UN-01JAN94



RGF198

| KEY | PART NO. | PART NAME | QTY | ENGINE SERIAL NO. | REMARKS |
|-----|----------|-----------|-----|-------------------|--|
| 1 | R121199 | CAP SCREW | 6 | | 12.700 X 50.800 MM (1/2" X 2") (SUB FOR R79850 OR R112884) |
| 2 | T23891 | WASHER | 6 | | |
| 3 | R28811 | RING GEAR | 1 | | |
| 4 | AR95426 | FLYWHEEL | 1 | -529838 | (MARKED R73271) (SUB RE57733) |
| | RE57733 | FLYWHEEL | 1 | 529839- | (MARKED R125183) (SUB RE502510) |
| | RE502510 | FLYWHEEL | 1 | 529839- | (MARKED R501414) |

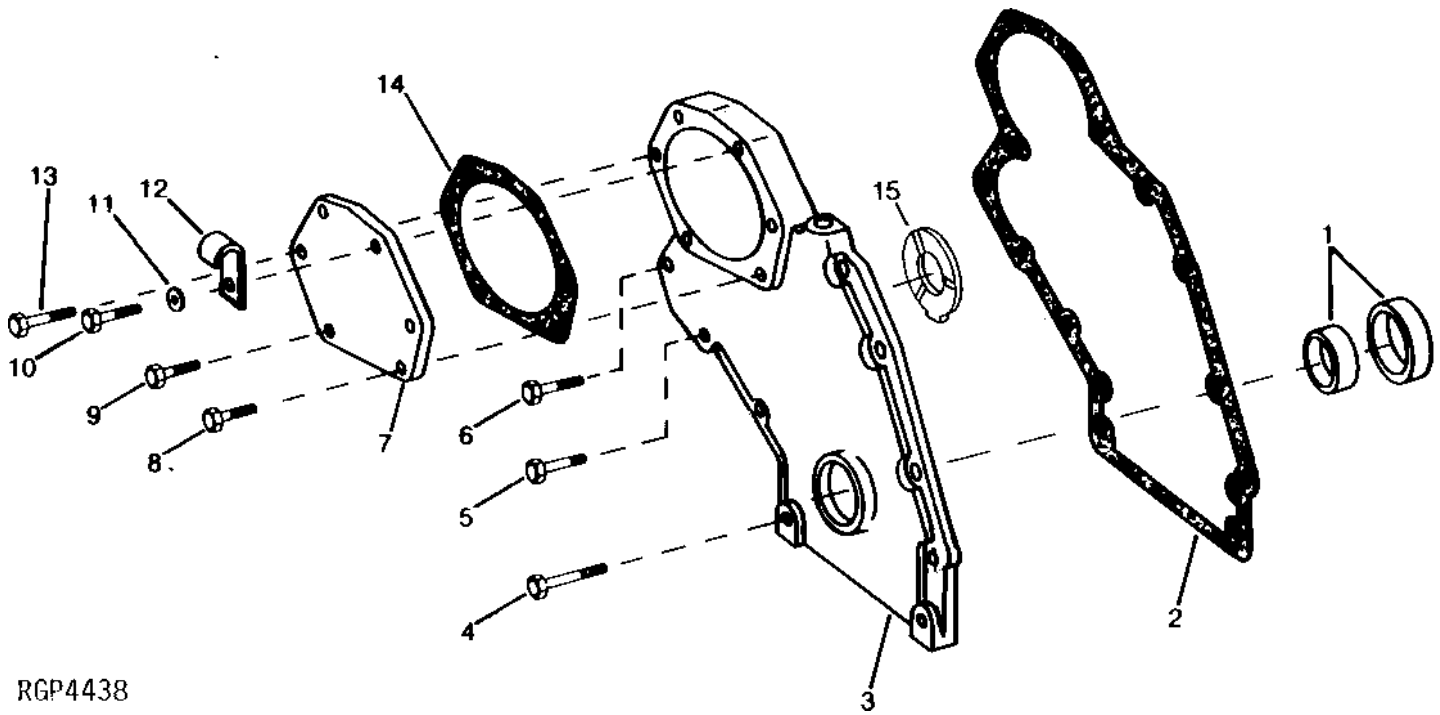
2C17

6076 ENGINE (ENGINE SERIAL NUMBER 500000-)

TIMING GEAR COVER AND FRONT OIL SEAL

(ENGINE SERIAL NO. 500000-)

RGP4438 -UN-28FEB95



RGP4438

| KEY | PART NO. | PART NAME | QTY | ENGINE SERIAL NO. | REMARKS |
|-----|----------|---------------|-----|-------------------|--|
| 1 | AR49025 | SEAL | 1 | | |
| 2 | R104623 | GASKET | 1 | | |
| 3 | R105506 | COVER | 1 | -505512 | (SUB R116465) |
| | R116465 | COVER | 1 | 505513- | |
| 4 | R104859 | CAP SCREW | 7 | | |
| 5 | R104861 | CAP SCREW | 1 | | |
| | 12H303 | LOCK WASHER | 1 | 5/16" | |
| 6 | R112269 | CAP SCREW | 1 | | |
| 7 | R99463 | COVER | 1 | | |
| 8 | R112268 | CAP SCREW | 1 | | |
| 9 | R112267 | CAP SCREW | 1 | | |
| | 12H303 | LOCK WASHER | 1 | 5/16" | |
| 10 | R112273 | CAP SCREW | 3 | | |
| 11 | 24H1136 | WASHER | 1 | | 11/32" X 11/16" X 0.065", (NO LONGER REQUIRED) |
| 12 | R72853 | CLAMP | 1 | | (A) (NO LONGER REQUIRED) |
| | AH89557 | CLIP | 1 | | (B) (NO LONGER REQUIRED) |
| 13 | | CAP SCREW | NA | | |
| 14 | R99464 | GASKET | 1 | | |
| 15 | R104656 | THRUST WASHER | 1 | | |

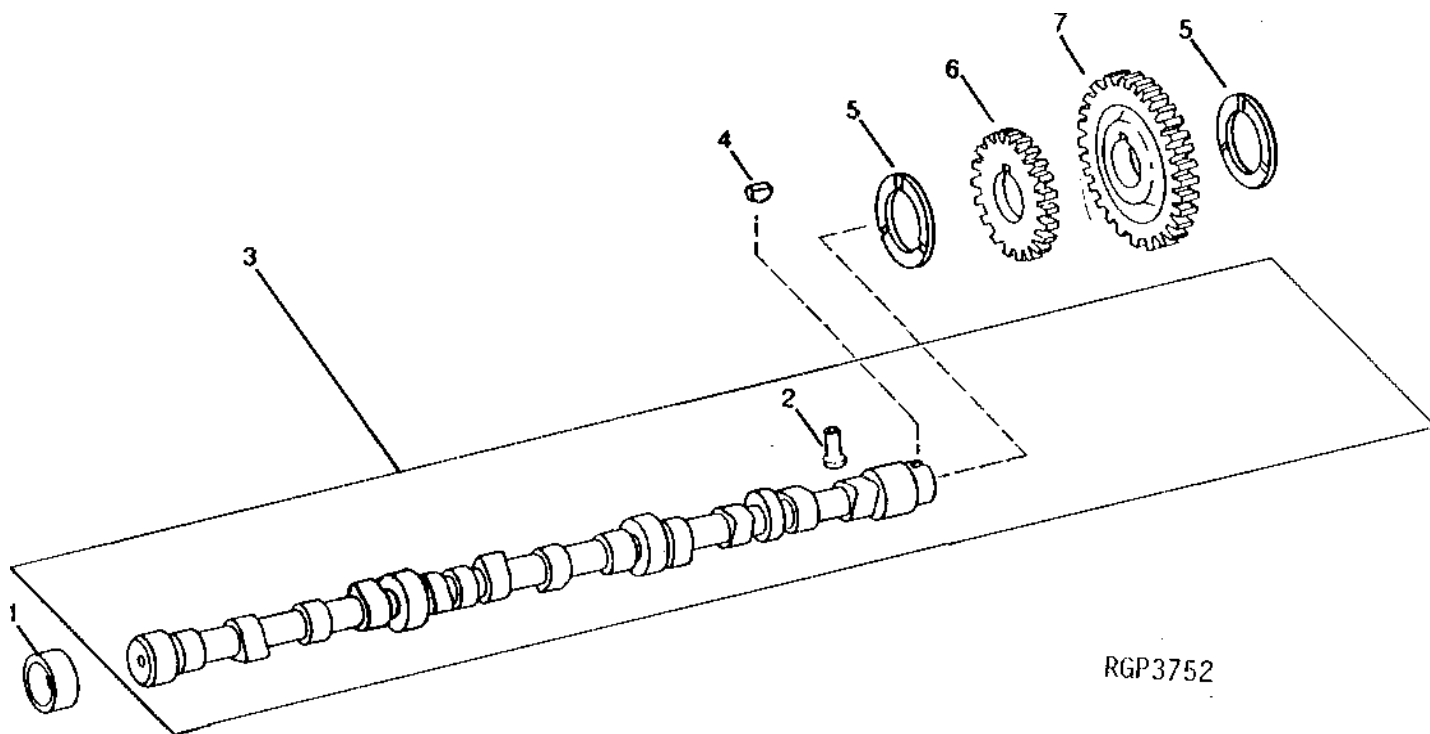
(A) HH030, HH032, HH034, HH036

(B) HH031, HH035

2C18

6076 ENGINE (ENGINE SERIAL NUMBER 500000-)

CAMSHAFT AND GEAR
(ENGINE SERIAL NO. 500000-)
 RGP3752 -UN-01JAN94

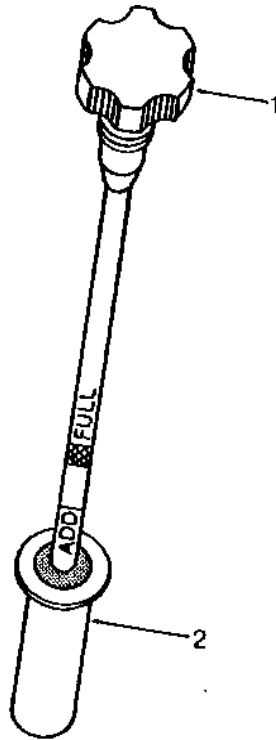


| KEY | PART NO. | PART NAME | QTY | ENGINE SERIAL NO. | REMARKS |
|-----|----------|---------------|-----|-------------------|---|
| 1 | R87561 | BUSHING | 4 | | |
| 2 | R105379 | CAM FOLLOWER | 12 | | (USE WITH R104858) (SUB FOR R91747) |
| | R110126 | CAM FOLLOWER | 12 | | (USE WITH R109717 OR R120872) |
| 3 | RE42383 | CAMSHAFT | 1 | -520097 | (MARKED R109717 OR R104858) (SUB RE57054) |
| | RE57054 | CAMSHAFT | 1 | 520098- | (MARKED R120872) |
| 4 | 26H91 | SHAFT KEY | 1 | | 3/16" X 1-1/4" |
| 5 | R104656 | THRUST WASHER | 2 | | |
| 6 | R104589 | GEAR | 1 | | |
| 7 | R112053 | GEAR | 1 | | |

2C19

6076 ENGINE (ENGINE SERIAL NUMBER 500000-)

ENGINE OIL DIPSTICK AND TUBE
(ENGINE SERIAL NO. 500000-)
RGP3592 -UN-01JAN94



RGP3592

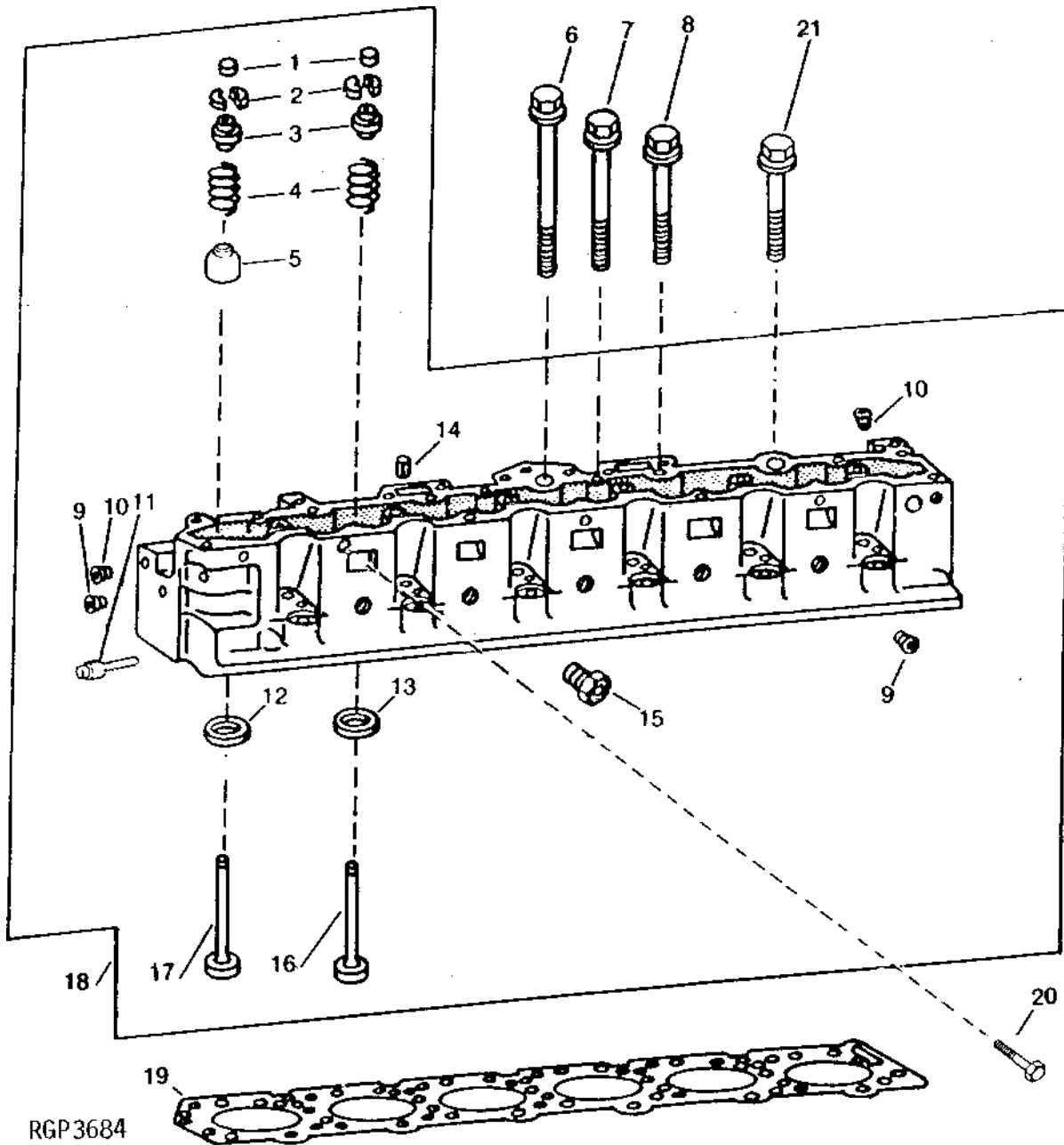
| KEY | PART NO. | PART NAME | QTY | ENGINE SERIAL NO. | REMARKS |
|-----|----------|---------------|-----|-------------------|---------|
| 1 | RE41811 | DIPSTICK | 1 | | |
| 2 | R104574 | DIPSTICK TUBE | 1 | | |

MEMORANDA

2C20

6076 ENGINE (ENGINE SERIAL NUMBER 500000-)

CYLINDER HEAD AND VALVES
(ENGINE SERIAL NO. 500000-)
RGP3684 -UN-01JAN94



CYLINDER HEAD AND VALVES - CONTINUED
(ENGINE SERIAL NO. 500000-)

| KEY | PART NO. | PART NAME | QTY | ENGINE SERIAL NO. | REMARKS |
|-----|----------|-----------------------------|-----|-------------------|--|
| 1 | T20129 | CAP | 12 | | |
| 2 | T20077 | RETAINER | 24 | | |
| 3 | RE11410 | ROTATOR | 12 | | |
| 4 | R91822 | SPRING | 12 | | |
| 5 | R102882 | SHIELD | 6 | | (EXHAUST VALVES ONLY) |
| 6 | R110289 | CAP SCREW | 7 | | (A) |
| | R121491 | CAP SCREW | 7 | | (B) (MARKED "SPECIAL") |
| 7 | R110288 | CAP SCREW | 8 | | (A) |
| | R121490 | CAP SCREW | 8 | | (B) (MARKED "SPECIAL") |
| 8 | R88043 | SCREW | 6 | | (A) 14.288 X 134.100 MM (0.563" X 5.280") |
| | R121320 | CAP SCREW | 6 | | (B) (MARKED "SPECIAL") |
| 9 | 15H690 | PIPE PLUG | 10 | | 3/4" |
| 10 | 15H584 | PIPE PLUG | 2 | | 1/2", (SUB 15H624) |
| | 15H624 | PIPE PLUG | 2 | | |
| 11 | AT107509 | PLUG | 1 | | |
| 12 | R84976 | VALVE SEAT INSERT | 6 | | EXHAUST |
| | R93350 | VALVE SEAT INSERT | AR | | 0.25MM (.010") OS |
| 13 | R84977 | VALVE SEAT INSERT | 6 | | INTAKE |
| | R93349 | VALVE SEAT INSERT | AR | | 0.25MM (.010") OS |
| 14 | 34H387 | SPRING PIN | 1 | | 3/16" X 3/4" |
| 15 | R76491 | PIPE PLUG | 1 | | |
| 16 | R84618 | INTAKE VALVE | 6 | | STD |
| | R93308 | INTAKE VALVE | AR | | 0.08MM (.003") OS |
| | R93312 | INTAKE VALVE | AR | | 0.38MM (.015") OS |
| | R93314 | INTAKE VALVE | AR | | 0.76MM (.030") OS |
| 17 | R84619 | EXHAUST VALVE | 6 | | STD |
| | R93311 | EXHAUST VALVE | AR | | 0.08MM (.003") OS |
| | R93313 | EXHAUST VALVE | AR | | 0.38MM (.015") OS |
| | R93315 | EXHAUST VALVE | AR | | 0.76MM (.030") OS |
| 18 | RE42741 | CYLINDER HEAD | 1 | | (MARKED R102932) (SUB RE58516) |
| | RE58516 | CYLINDER HEAD | 1 | | (MARKED R122112 OR R122491) |
| 19 | RE47336 | ENGINE CYLINDER HEAD GASKET | 1 | | |
| 20 | 19H2367 | CAP SCREW | 1 | | 5/8" X 3/4" |
| 21 | R110286 | CAP SCREW | 5 | | (A) |
| | R121489 | CAP SCREW | 5 | | (B) (MARKED "SPECIAL") |
| .. | RG24026 | KIT | 1 | | (B) (C) (CONTAINS (26) "SPECIAL" HEAD BOLTS) |

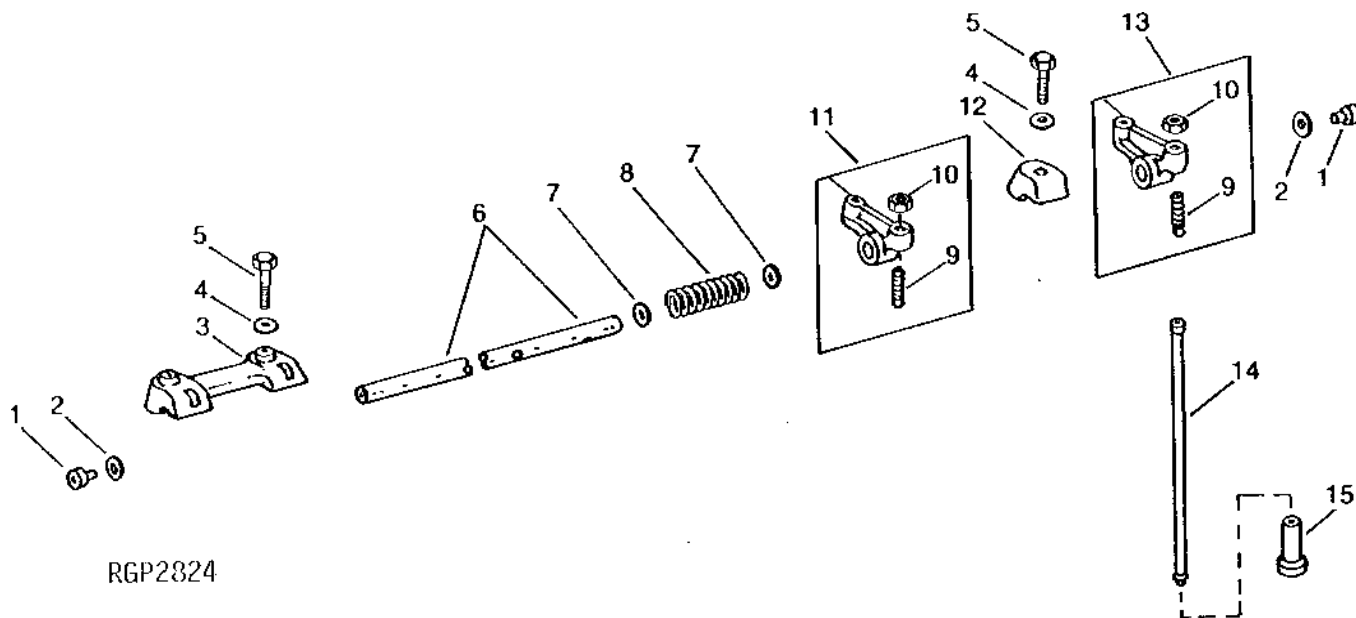
(A) USE WITH BLOCKS MARKED BELOW R122736

(B) USE WITH BLOCKS MARKED R122736 AND ABOVE

(C) ALSO CONTAINED IN NEW SHORT BLOCK ASSEMBLIES

ROCKER ARMS, SHAFT AND PUSH RODS
(ENGINE SERIAL NO. 500000-)

RGP2824 -UN-01JAN94



RGP2824

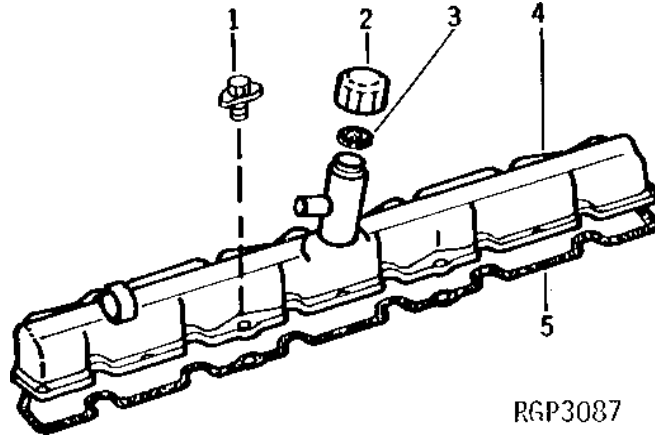
| KEY | PART NO. | PART NAME | QTY | ENGINE SERIAL NO. | REMARKS |
|-----|----------|------------------|-----|-----------------------------------|---------------|
| 1 | R54565 | PLUG | 2 | | |
| 2 | R26081 | WASHER | 2 | | |
| 3 | R65553 | CLAMP | 2 | | (SUB R136083) |
| | R136083 | CLAMP | 2 | | |
| 4 | R26559 | WASHER | 6 | | |
| 5 | 19H1740 | CAP SCREW | 6 | 7/16" X 1-3/4" | |
| 6 | R70826 | ROCKER ARM SHAFT | 1 | | |
| 7 | R71208 | WASHER | 10 | | |
| 8 | R26079 | SPRING | 5 | | |
| 9 | R27443 | SET SCREW | 12 | | |
| 10 | 14H846 | NUT | 12 | 3/8" | |
| 11 | RE24045 | ROCKER ARM | 6 | (A) (1E, 2I, 3E, 4I, 5E, 6I) (RH) | |
| 12 | R26748 | CLAMP | 2 | | |
| 13 | RE24046 | ROCKER ARM | 6 | (A) (1I, 2E, 3I, 4E, 5I, 6E) (LH) | |
| 14 | R85027 | PUSH ROD | 12 | | |
| 15 | R110126 | CAM FOLLOWER | 12 | (USE WITH R109717 OR R120872) | |
| | R105379 | CAM FOLLOWER | 12 | (USE WITH R104858) | |

(A) E (EXHAUST VALVE) - I (INTAKE VALVE)

2C23

6076 ENGINE (ENGINE SERIAL NUMBER 50000-)

ROCKER ARM COVER
RGP3087 -UN-01JAN94

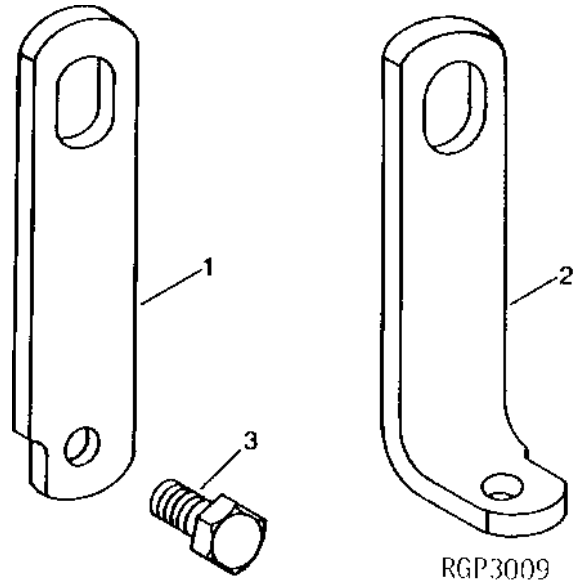


| KEY | PART NO. | PART NAME | QTY | ENGINE SERIAL NO. | REMARKS |
|-----|----------|--------------------|-----|-------------------|---------|
| 1 | AR100124 | SCREW, WITH WASHER | 8 | | |
| 2 | T20294 | CAP | 1 | | |
| 3 | T20328 | GASKET | 1 | | |
| 4 | AR93173 | COVER | 1 | | |
| 5 | R49866 | GASKET | 1 | | |
| .. | AR31790 | ADHESIVE | 1 | | |

2C24

6076 ENGINE (ENGINE SERIAL NUMBER 50000-)

LIFT STRAPS
RGP3009 -UN-01JAN94



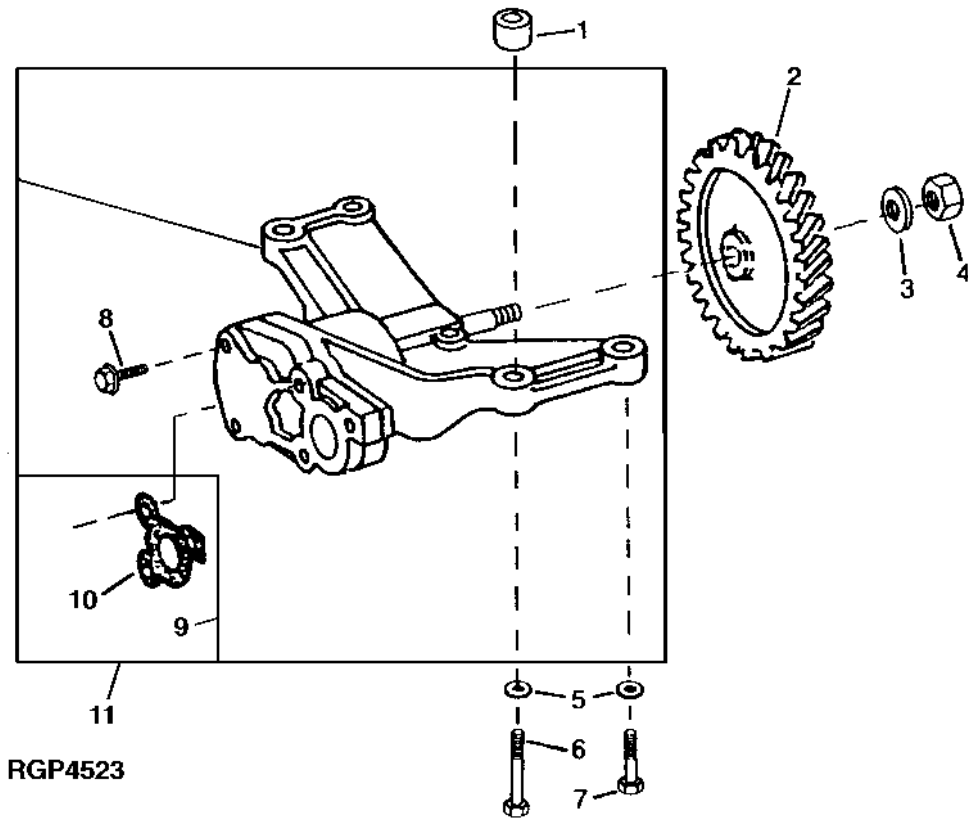
| KEY | PART NO. | PART NAME | QTY | ENGINE SERIAL NO. | REMARKS |
|-----|----------|-----------|-----|-------------------|---------|
| 1 | R61497 | STRAP | 1 | (FRONT) | |
| 2 | R86571 | ANGLE | 1 | (REAR) | |
| 3 | 19H1756 | CAP SCREW | 2 | 5/8" X 1-1/2" | |

MEMORANDA

2D1

6076 ENGINE (ENGINE SERIAL NUMBER 50000-)

OIL PUMP
(ESN 50000-)
RGP4523 -UN-10AUG95



2D2

6076 ENGINE (ENGINE SERIAL NUMBER 500000-)

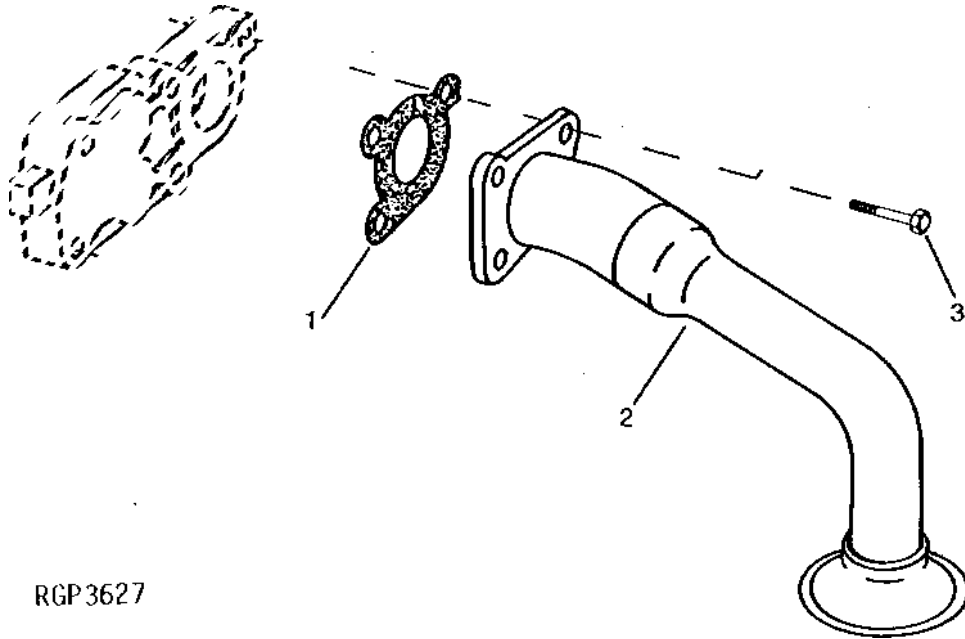
OIL PUMP - CONTINUED (ESN 500000-)

| KEY | PART NO. | PART NAME | QTY | ENGINE SERIAL NO. | REMARKS |
|-----|----------|-----------|-----|-------------------|--|
| 1 | R62930 | BUSHING | 2 | | |
| 2 | R62938 | GEAR | 1 | | |
| 3 | T21242 | WASHER | 1 | | |
| 4 | 14H826 | NUT | 1 | | 1/2", (SUB FOR R79187) |
| 5 | R57696 | WASHER | 4 | | |
| 6 | 19H2549 | CAP SCREW | 2 | | 3/8" X 1-7/8" |
| 7 | 19H3219 | CAP SCREW | 2 | | 3/8" X 1-3/8" |
| 8 | R104628 | CAP SCREW | 5 | | |
| 9 | RE62723 | OIL PUMP | 1 | | (SUB FOR RE39889 OR RE52277, APPL) (SUB RE63115) |
| 10 | R100569 | GASKET | 1 | | |
| 11 | RE63115 | OIL PUMP | 1 | | (MARKED R124746) |

2D3

6076 ENGINE (ENGINE SERIAL NUMBER 500000-)

ENGINE OIL PUMP INTAKE
(ENGINE SERIAL NO. 500000-)
 RGP3627 -UN-01JAN94



RGP3627

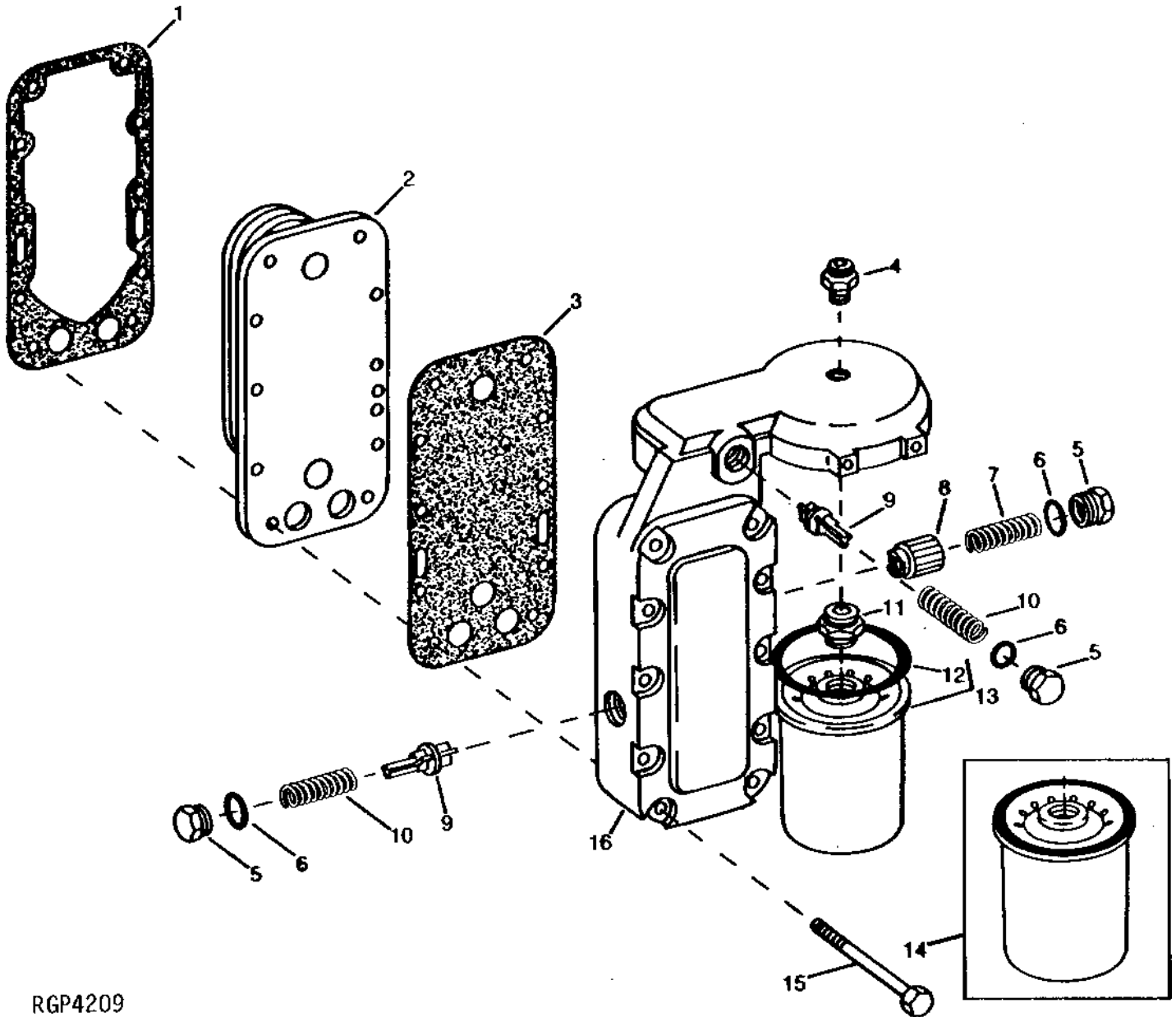
| KEY | PART NO. | PART NAME | QTY | ENGINE SERIAL NO. | REMARKS |
|-----|----------|-----------------|-----|-------------------|---------|
| 1 | R100569 | GASKET | 1 | | |
| 2 | RE38828 | OIL PUMP INTAKE | 1 | | |
| | RE60550 | OIL PUMP INTAKE | 1 | (SUB RE60550) | |
| 3 | R104628 | CAP SCREW | 3 | | |

MEMORANDA

2D4

6076 ENGINE (ENGINE SERIAL NUMBER 500000-)

ENGINE OIL COOLER, HOUSING AND FILTER
(ENGINE SERIAL NO. 500000-)
RGP4209 -UN-01JAN94



RGP4209

2D5

6076 ENGINE (ENGINE SERIAL NUMBER 50000-)

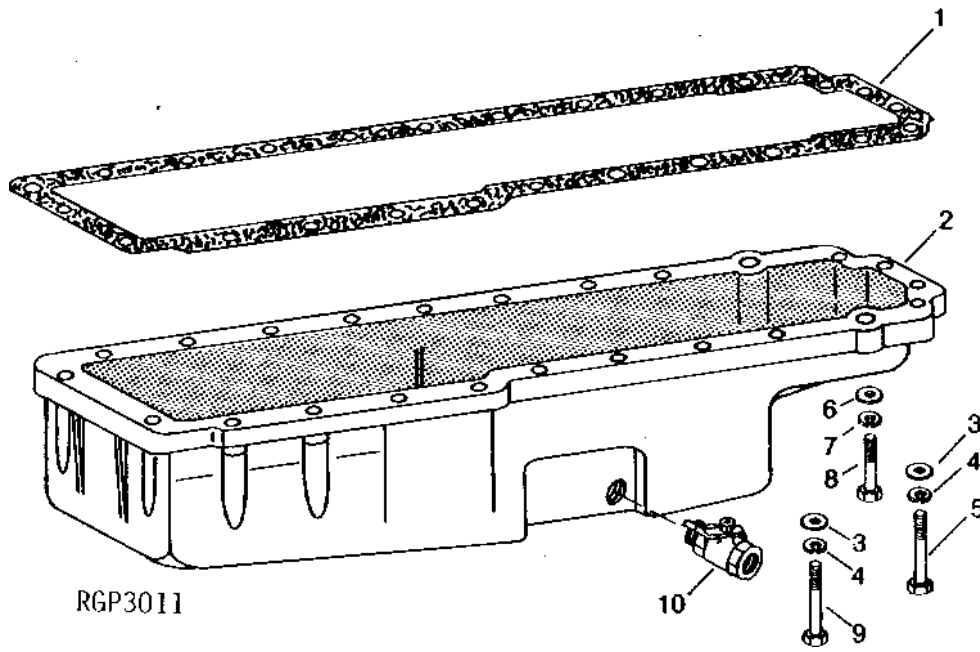
ENGINE OIL COOLER, FILTER HOUSING AND FILTER - CONTINUED
(ENGINE SERIAL NO. 50000-)

| KEY | PART NO. | PART NAME | QTY | ENGINE SERIAL NO. | REMARKS |
|-----|----------|--------------|-----|-------------------|--------------------------------|
| 1 | R94618 | GASKET | 1 | -547515 | (SUB R128557) |
| | R128557 | GASKET | 1 | 547516- | (SUB FOR R96418) |
| 2 | RE36367 | OIL COOLER | 1 | | |
| 3 | R94619 | GASKET | 1 | -547515 | (SUB R128558) |
| | R128558 | GASKET | 1 | 547516- | (SUB FOR R94619) |
| 4 | A4925R | FITTING | 1 | | |
| 5 | R134727 | PLUG | 3 | | (SUB FOR R100499) |
| 6 | U17409 | O-RING | 3 | | |
| 7 | R102844 | SPRING | 1 | | (SUB R500330) |
| | R500330 | SPRING | 1 | | |
| 8 | R94615 | RELIEF VALVE | 1 | | (SUB R124186) |
| | R124186 | RELIEF VALVE | 1 | | |
| 9 | R108867 | VALVE | 2 | | (SUB R500055) |
| | R500055 | VALVE | 2 | | |
| 10 | R98064 | SPRING | 2 | | |
| 11 | R104621 | ADAPTER | 1 | | |
| 12 | R43660 | PACKING | 1 | | (USE WITH RE57394) |
| 13 | RE57394 | OIL FILTER | 1 | | (MARKED RE57394) |
| 14 | RE46380 | OIL FILTER | 1 | | (MARKED RE46380) (SUB RE57394) |
| 15 | R104862 | CAP SCREW | 10 | | |
| 16 | RE39890 | HOUSING | 1 | | |

2D6

6076 ENGINE (ENGINE SERIAL NUMBER 50000-)

OIL PAN
RGP3011 -UN-01JAN94



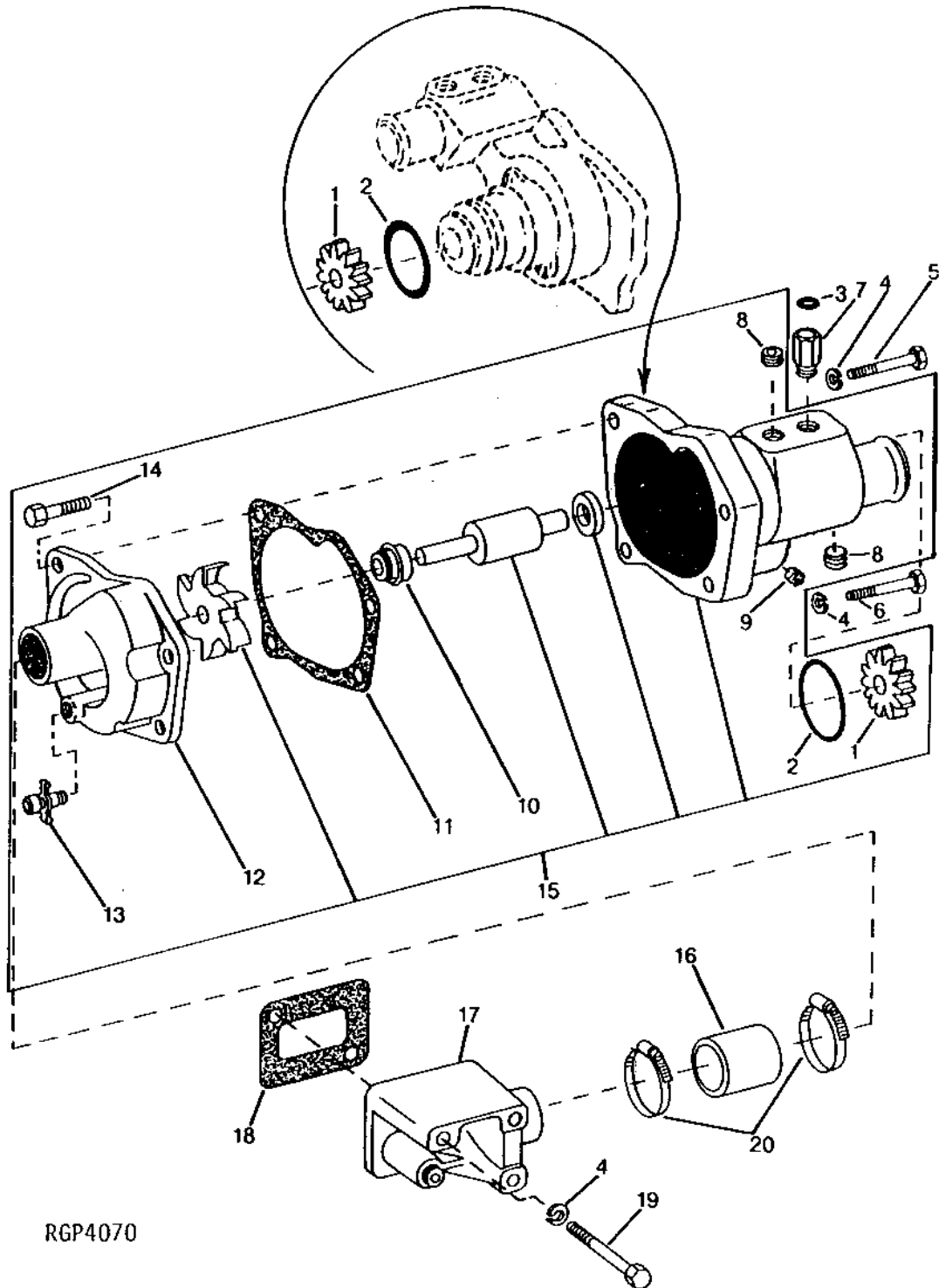
| KEY | PART NO. | PART NAME | QTY | ENGINE SERIAL NO. | REMARKS |
|-----|----------|-------------|-----|--------------------------|---------|
| 1 | R49377 | GASKET | 1 | | |
| 2 | R94338 | OIL PAN | 1 | | |
| 3 | 24H1305 | WASHER | 22 | 13/32" X 13/16" X 0.065" | |
| 4 | 12H304 | LOCK WASHER | 22 | 3/8" | |
| 5 | 19H3485 | CAP SCREW | 4 | 3/8" X 2" | |
| 6 | 24H1756 | WASHER | 2 | 1/2" X 1" X 0.060" | |
| 7 | 12H301 | LOCK WASHER | 2 | 1/2" | |
| 8 | 19H2473 | CAP SCREW | 2 | 1/2" X 1-3/4" | |
| 9 | 19H3267 | CAP SCREW | 18 | 3/8" X 1-5/8" | |
| 10 | RE32856 | VALVE | 1 | | |

MEMORANDA

2D7

6076 ENGINE (ENGINE SERIAL NUMBER 500000-)

WATER PUMP
(ENGINE SERIAL NO. 500000-)
RGP4070 -UN-01JAN94



RGP4070

2D8

6076 ENGINE (ENGINE SERIAL NUMBER 500000-)

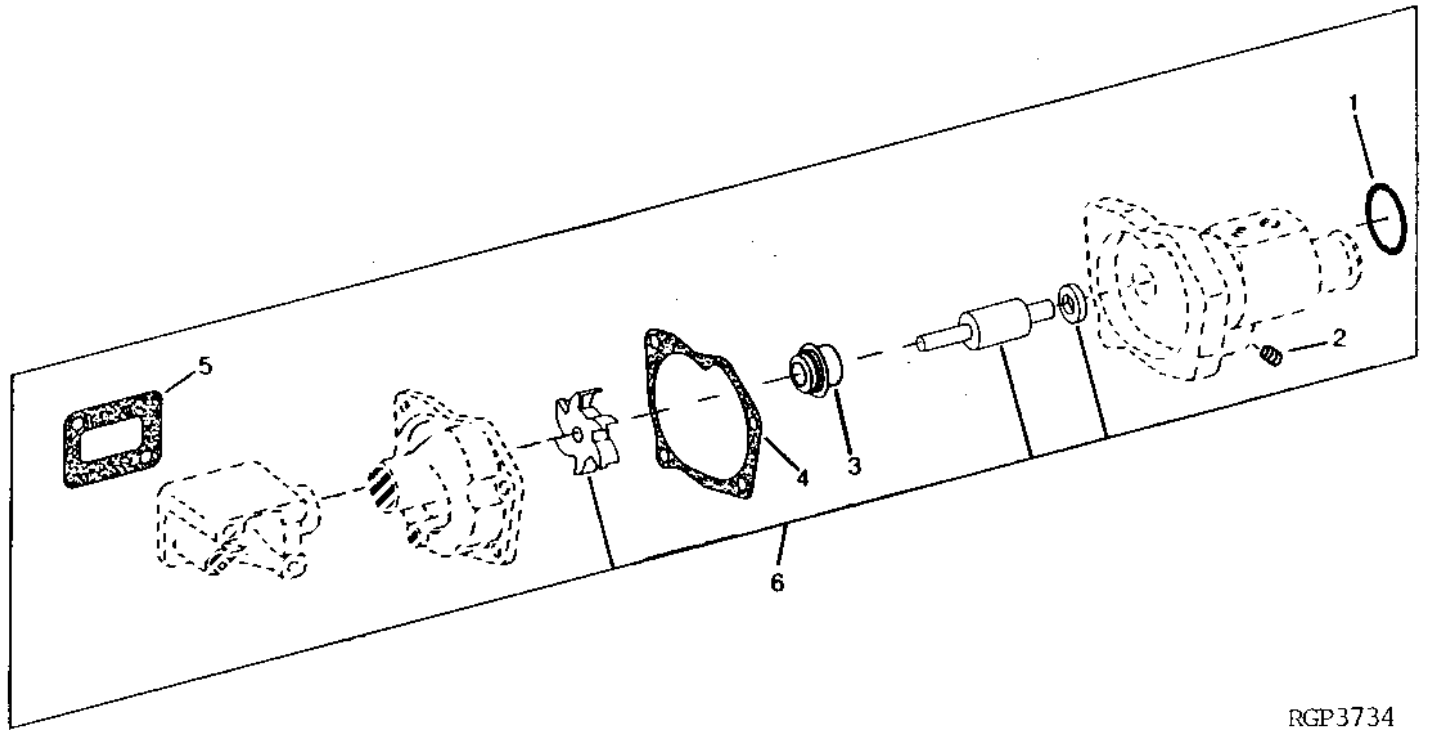
WATER PUMP - CONTINUED
(ENGINE SERIAL NO. 500000-)

| KEY | PART NO. | PART NAME | QTY | ENGINE SERIAL NO. | REMARKS |
|-----|----------|-------------|-----|-------------------|---|
| 1 | R104591 | GEAR | 1 | | |
| 2 | R101042 | O-RING | 1 | | |
| 3 | R72328 | O-RING | 1 | | |
| 4 | 12H303 | LOCK WASHER | 4 | | (NO LONGER REQUIRED WITH R105732, R112267 OR R112269) |
| 5 | R112267 | CAP SCREW | 1 | | |
| 6 | R104861 | CAP SCREW | 1 | | |
| 7 | R41285 | ADAPTER | 1 | | |
| 8 | 15H624 | PIPE PLUG | 2 | 1/2" | |
| 9 | R100369 | FILTER | 2 | | |
| 10 | RE69839 | SEAL | 1 | | (SUB FOR RE45337) |
| 11 | R100367 | GASKET | 1 | | |
| 12 | R100364 | COVER | 1 | | |
| 13 | AT13740 | DRAIN VALVE | 1 | | |
| 14 | R112268 | CAP SCREW | 4 | | (SUB FOR R101043) |
| 15 | RE39121 | WATER PUMP | 1 | | (MARKED RE39121 - WITH RAISED X) (SUB RE68230) |
| | RE68230 | WATER PUMP | 1 | | (MARKED RE68230 - WITH RAISED X) |
| 16 | R96622 | HOSE | 1 | | |
| 17 | R96606 | COVER | 1 | | |
| 18 | R96616 | GASKET | 1 | | |
| 19 | R105732 | CAP SCREW | 2 | | |
| 20 | RE67208 | CLAMP | 2 | | (SUB FOR AR40418 OR RE43166, APPL) |

2D9

6076 ENGINE (ENGINE SERIAL NUMBER 500000-)

WATER PUMP REPAIR KIT
(ENGINE SERIAL NO. 500000-)
 RGP3734 -UN-01JAN94



RGP3734

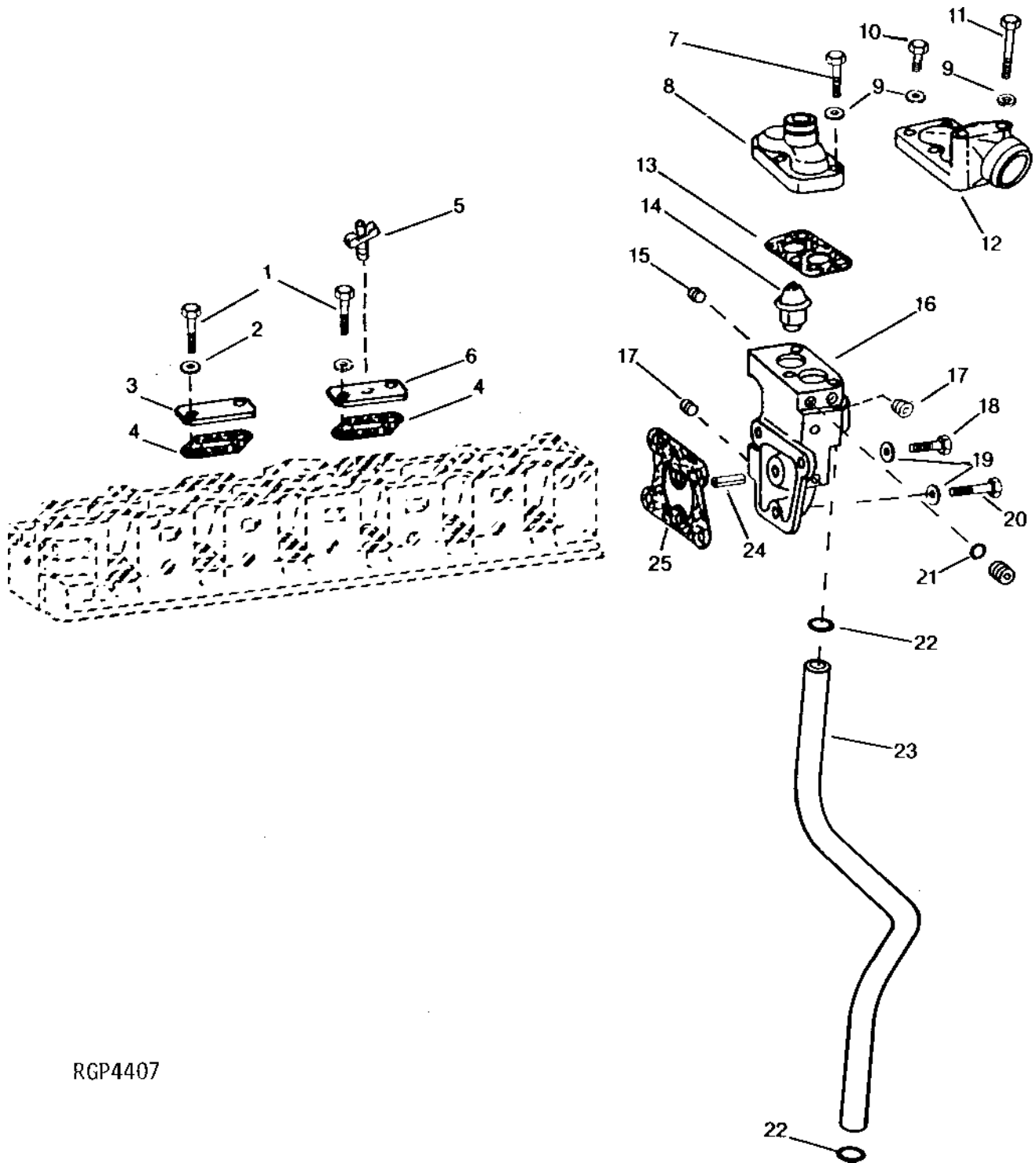
| KEY | PART NO. | PART NAME | QTY | ENGINE SERIAL NO. | REMARKS |
|-----|----------|-----------|-----|-------------------|---|
| 1 | R101042 | O-RING | 1 | | |
| 2 | R100369 | FILTER | 2 | | (WEEP HOLE) |
| 3 | RE69839 | SEAL | 1 | | (SUB FOR RE45337) |
| 4 | R100367 | GASKET | 1 | | |
| 5 | R96616 | GASKET | 1 | | |
| 6 | RE68316 | KIT | 1 | | (USE WITH RE39121 - WITH RAISED X) FROM (USE WITH RE39121-.....) TO (USE WITH RE39121 OR RE68230.....) (SUB FOR RE42107 OR RE58350) |

MEMORANDA

2D10

6076 ENGINE (ENGINE SERIAL NUMBER 500000-)

WATER MANIFOLD AND THERMOSTAT
(ENGINE SERIAL NO. 500000-)
RGP4407 -UN-02FEB94



RGP4407

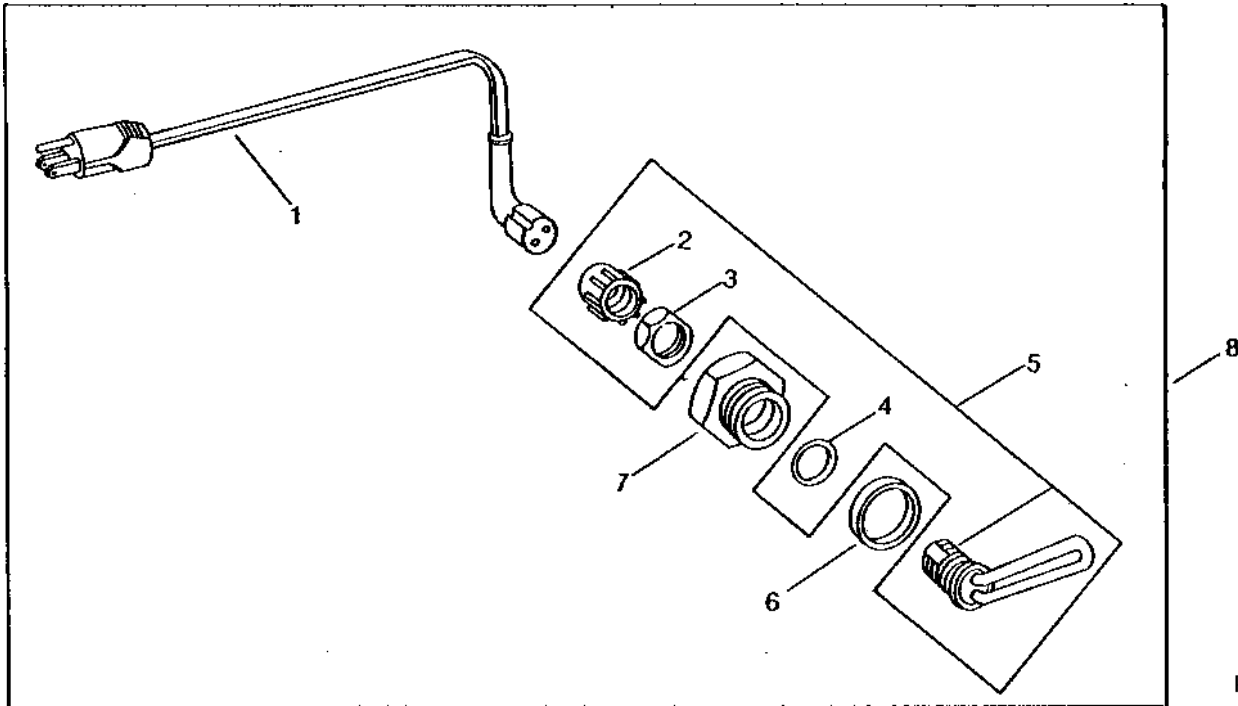
2D11

6076 ENGINE (ENGINE SERIAL NUMBER 500000-)

WATER MANIFOLD AND THERMOSTAT - CONTINUED
(ENGINE SERIAL NO. 500000-)

| KEY | PART NO. | PART NAME | QTY | ENGINE SERIAL NO. | REMARKS |
|-----|----------|--------------|-----|-------------------|---|
| 1 | 19H2284 | CAP SCREW | 4 | | 3/8" X 7/8" |
| 2 | 24H1305 | WASHER | 4 | | 13/32" X 13/16" X 0.065" |
| 3 | R86061 | STRAP | 1 | | |
| 4 | R88397 | GASKET | 2 | | |
| 5 | AT13740 | DRAIN VALVE | 1 | | |
| 6 | R114160 | COVER | 1 | | |
| 7 | 19H3219 | CAP SCREW | NA | -504979 | |
| | 19H3239 | CAP SCREW | NA | 504980- | |
| 8 | R86007 | COVER | NA | | |
| 9 | 12H304 | LOCK WASHER | 7 | -504778 | 3/8" |
| | 24M7096 | WASHER | NA | 504779-504979 | 10.500 X 18 X 1.600 MM |
| 10 | 19H3219 | CAP SCREW | 2 | | 3/8" X 1-3/8" |
| 11 | 19H2639 | CAP SCREW | 1 | | 3/8" X 3-3/8" |
| 12 | R89439 | COVER | 1 | | |
| 13 | R46479 | GASKET | 1 | | |
| 14 | AR48675 | THERMOSTAT | 2 | | 82°C(180°F) |
| 15 | 15H690 | PIPE PLUG | 1 | | 3/4" |
| 16 | R108604 | MANIFOLD | 1 | | (SUB R109859, R77673 AND R82719) |
| | R109859 | MANIFOLD | 1 | | (MARKED R109859) (ALSO ORDER R82719 AND R77673) |
| 17 | 15H624 | PIPE PLUG | 2 | | 1/2" |
| 18 | 19H3175 | CAP SCREW | 2 | | 3/8" X 3-5/8" |
| 19 | R57696 | WASHER | 3 | | |
| 20 | 19H3217 | CAP SCREW | 1 | | 3/8" X 1-3/4" |
| 21 | R77673 | O-RING | 1 | | |
| | | FITTING PLUG | NA | | |
| 22 | R72328 | O-RING | 2 | | |
| 23 | R108630 | TUBE | 1 | | |
| 24 | 34H329 | SPRING PIN | 1 | | 5/16" X 1-1/4" |
| 25 | R86062 | GASKET | 1 | | |

ENGINE COOLANT HEATER
RGP546 -UN-01JAN94

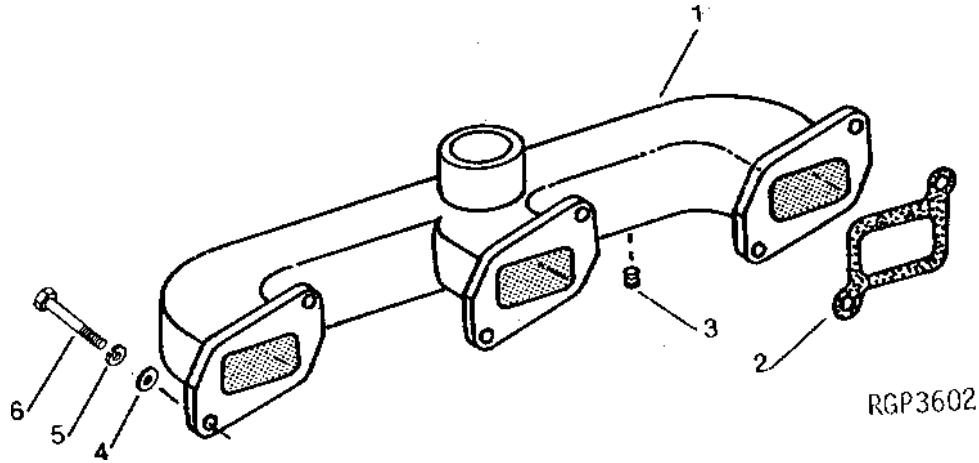


| KEY | PART NO. | PART NAME | QTY | ENGINE SERIAL NO. | REMARKS |
|-----|----------|----------------|-----|---------------------------|---------|
| 1 | AR50411 | WIRING LEAD | 1 | | |
| 2 | R54510 | CAP | 1 | (SUB AR62399, APPL) | |
| 3 | R54511 | NUT | 1 | (SUB AR62399, APPL) | |
| 4 | R47693 | GASKET | 1 | | |
| 5 | AR62399 | COOLANT HEATER | 1 | (110 VOLT) (SUB RE504122) | |
| | RE504122 | COOLANT HEATER | 1 | | |
| 6 | U13639 | O-RING | 1 | | |
| 7 | R54123 | ADAPTER | 1 | | |
| 8 | AR62492 | COOLANT HEATER | 1 | | |

2D13

6076 ENGINE (ENGINE SERIAL NUMBER 500000-)

INTAKE MANIFOLD
(ENGINE SERIAL NO. -520021)
 RGP3602 -UN-01JAN94

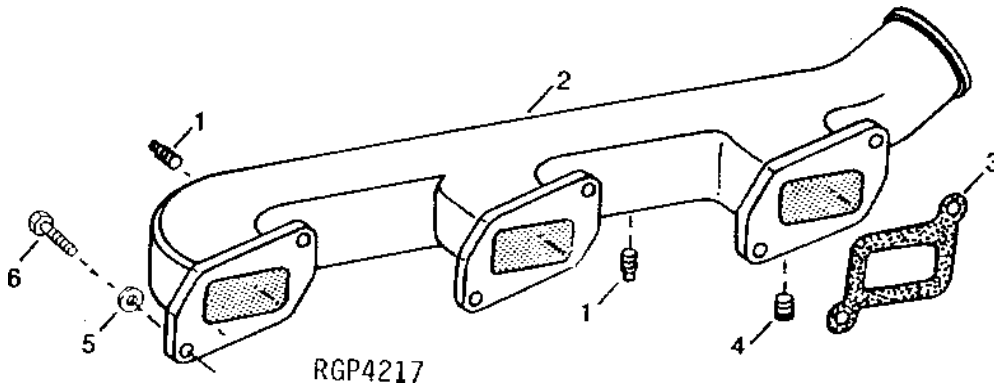


| KEY | PART NO. | PART NAME | QTY | ENGINE SERIAL NO. | REMARKS |
|-----|----------|-----------------|-----|-----------------------------------|---------|
| 1 | R89790 | INTAKE MANIFOLD | 1 | (SUB R104592, R134429 AND 15H690) | |
| | R104592 | PIPE PLUG | 1 | | |
| | R134429 | INTAKE MANIFOLD | 1 | | |
| | 15H690 | PIPE PLUG | 1 | | |
| 2 | R120646 | GASKET | 3 | (SUB FOR R102838, APPL) | |
| 3 | 15H638 | PIPE PLUG | 1 | 1/8" | |
| 4 | 24H1682 | WASHER | 6 | 13/32" X 7/8" X 0.120" | |
| 5 | 12H304 | LOCK WASHER | 6 | 3/8", (NO LONGER REQUIRED) | |
| 6 | 19H1651 | CAP SCREW | 6 | 3/8" X 1-1/2" | |
| .. | T32231 | CLAMP | 1 | (LOWER CENTER) | |

2D14

6076 ENGINE (ENGINE SERIAL NUMBER 500000-)

INTAKE MANIFOLD
 (ENGINE SERIAL NO. 520022-)
 RGP4217 -UN-01JAN94



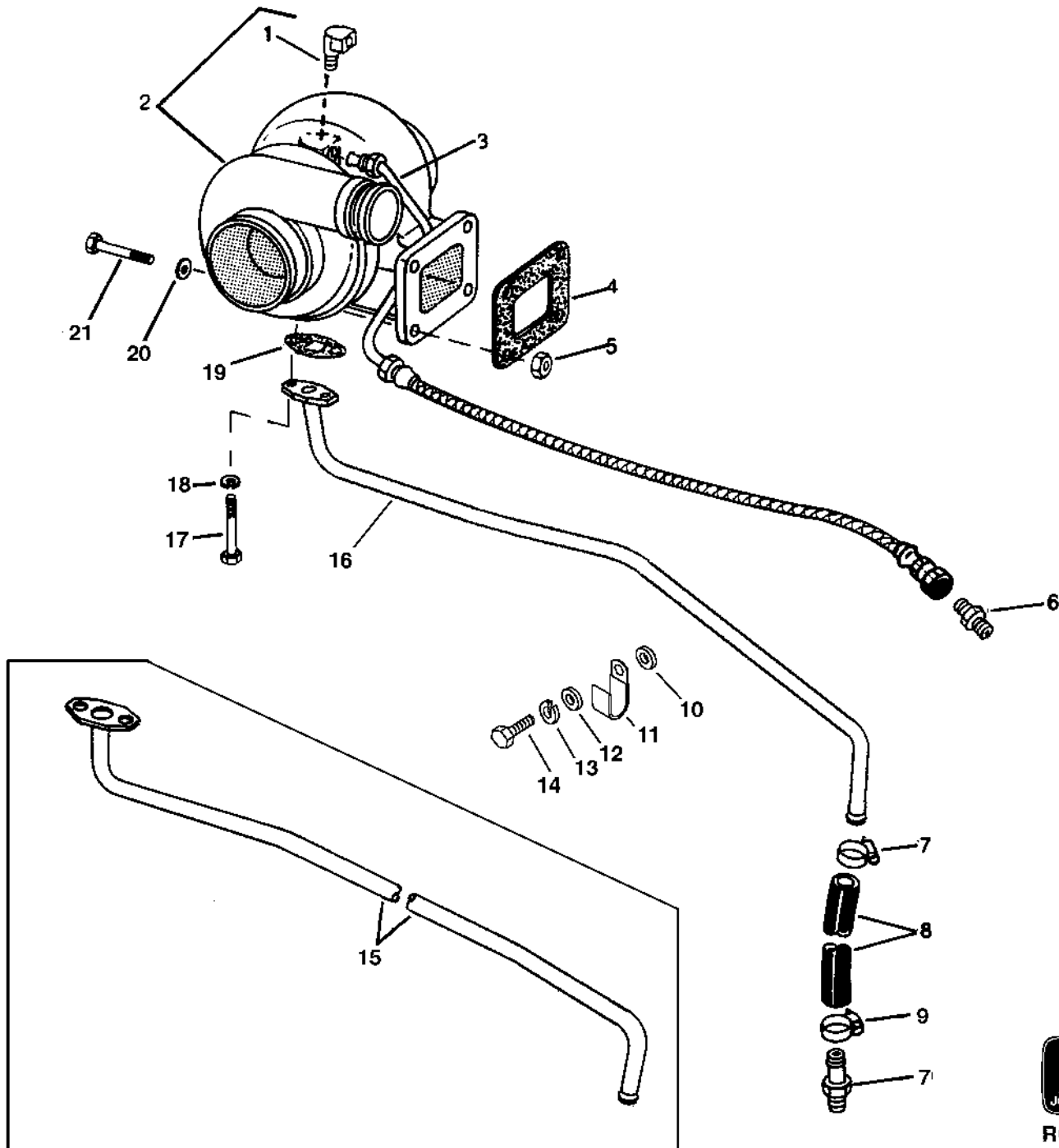
| KEY | PART NO. | PART NAME | QTY | ENGINE SERIAL NO. | REMARKS |
|-----|----------|-----------------|-----|-------------------|--|
| 1 | 15H666 | PIPE PLUG | 1 | | 3/8", (FRONT) |
| | 15H690 | PIPE PLUG | 1 | | 3/4", (REAR) |
| 2 | R96518 | INTAKE MANIFOLD | 1 | -571863 | (SUB RE68396, R115393, R104592 AND 15H690, APPL) |
| | R115393 | INTAKE MANIFOLD | 1 | 571864- | (SUB FOR R102838, APPL) |
| 3 | R120646 | GASKET | 3 | | |
| 4 | R104592 | PIPE PLUG | 1 | | |
| 5 | 24H1682 | WASHER | 6 | | 13/32" X 7/8" X 0.120" |
| 6 | 19H1651 | CAP SCREW | 6 | | 3/8" X 1-1/2" |
| .. | T32231 | CLAMP | 1 | | (LOWER CENTER) |

MEMORANDA

2D15

6076 ENGINE (ENGINE SERIAL NUMBER 500000-)

TURBOCHARGER AND OIL LINES
(ENGINE SERIAL NO. 500000-)
RGP4654 -UN-27MAR96



2D16

6076 ENGINE (ENGINE SERIAL NUMBER 500000-)

TURBOCHARGER AND OIL LINES - CONTINUED
(ENGINE SERIAL NO. 500000-)

| KEY | PART NO. | PART NAME | QTY | ENGINE SERIAL NO. | REMARKS |
|-----|----------|--------------------|-----|-------------------|---|
| 1 | T11180 | ELBOW FITTING | 1 | | |
| 2 | RE36285 | TURBOCHARGER | 1 | -565536 | (A) (MARKED RE25998) (USE WITH RE47396, RE57372 OR RE44518) (REMANUFACTURED) (GARRETT/AIRESEARCH) |
| | RE66554 | TURBOCHARGER | 1 | 565537-XXXXXX | (B) (MARKED RE65718) (USE WITH RE63514) |
| | RE70923 | TURBOCHARGER | 1 | XXXXXX- | (B) (MARKED RE70922 OR RE70105) (USE WITH RE63514) |
| 3 | RE55511 | OIL LINE | 1 | -571863 | (INLET) (SUB FOR RE43978) (ALSO ORDER T28862, 19H1936 AND 24M7096) |
| | RE68844 | OIL LINE | 1 | 571864- | (INLET) |
| 4 | R92097 | GASKET | 1 | | |
| 5 | E55662 | FLANGE NUT | 4 | | |
| 6 | A4925R | FITTING | 1 | | |
| 7 | TY22467 | CLAMP | 2 | | (SUB FOR AR21839) |
| 8 | R87682 | HOSE | 1 | | |
| 9 | R39503 | FITTING | 1 | | |
| 10 | 28H3376 | SPACER | 1 | | 0.364" X 0.540" X 9/16", (BEHIND T74416) |
| 11 | T74416 | CLAMP | 1 | | (SUB FOR R72853, APPL) |
| 12 | 24H1136 | WASHER | 1 | | 11/32" X 11/16" X 0.065" |
| 13 | 12H303 | LOCK WASHER | 1 | | 5/16", (NO LONGER REQUIRED WITH 19H2661) |
| 14 | 19H1849 | CAP SCREW | 1 | | 5/16" X 1-1/4" |
| 15 | RE25665 | OIL LINE | 1 | -571863 | (RETURN) (SUB RE68396) |
| 16 | RE68396 | OIL LINE | 1 | 571864- | (RETURN) |
| 17 | R122618 | SCREW | 2 | | |
| 18 | 12H304 | LOCK WASHER | 2 | | 3/8", (NO LONGER REQUIRED) |
| 19 | R105346 | GASKET | 1 | | |
| 20 | 24H1305 | WASHER | 8 | | 13/32" X 13/16" X 0.065" |
| 21 | R100747 | SELF-LOCKING SCREW | 4 | | |

(A) 6076HH031,032

(B) 6076HH034,035, 036

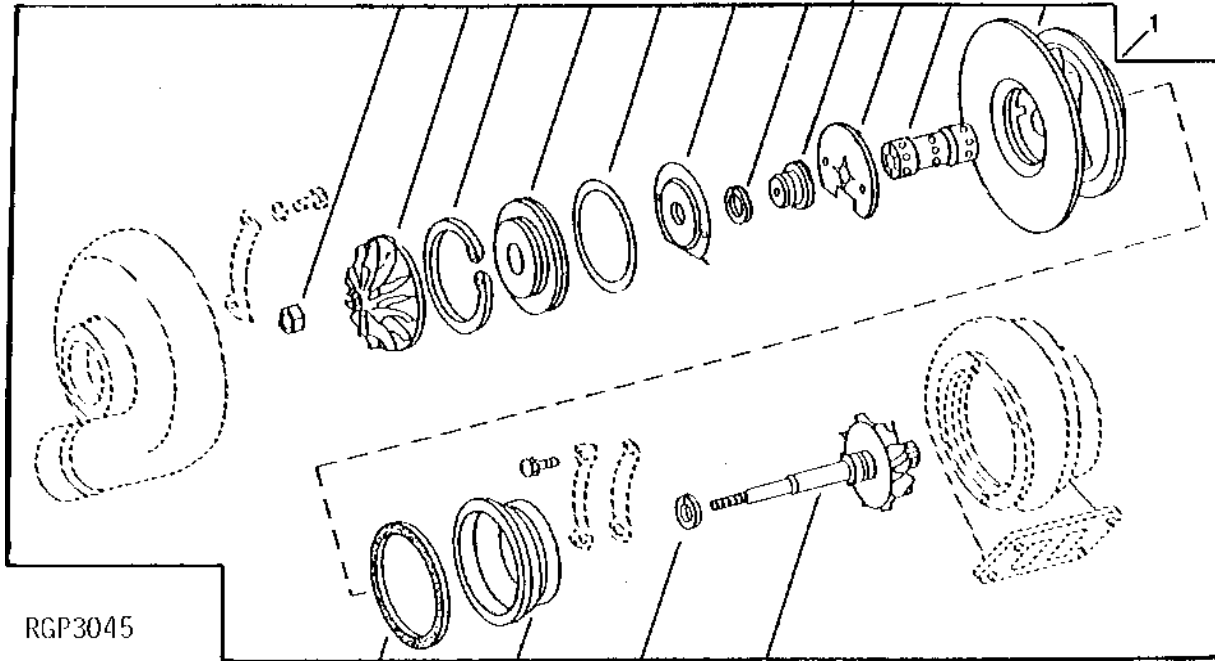
2D17

6076 ENGINE (ENGINE SERIAL NUMBER 50000-)

TURBOCHARGER CENTER HOUSING WITH ROTATING PARTS

(SCHWITZER)

RGP3045 -UN-01JAN94



| KEY | PART NO. | PART NAME | QTY | ENGINE SERIAL NO. | REMARKS |
|-----|----------|-----------|-----|-------------------|---|
| 1 | RE38331 | HOUSING | 1 | | |
| .. | RE38288 | KIT | 1 | | (USE WITH RE30562) (NO LONGER AVAILABLE) |

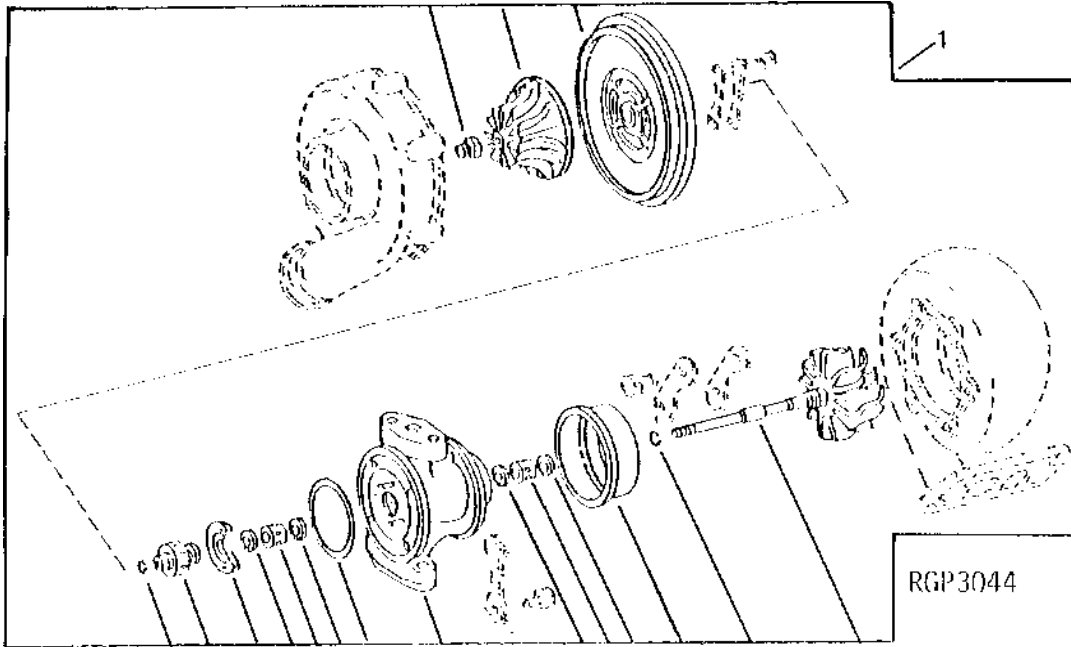
2D18

6076 ENGINE (ENGINE SERIAL NUMBER 50000-)

TURBOCHARGER CENTER HOUSING WITH ROTATING PARTS

(AIRESEARCH)

RGP3044 -UN-01JAN94

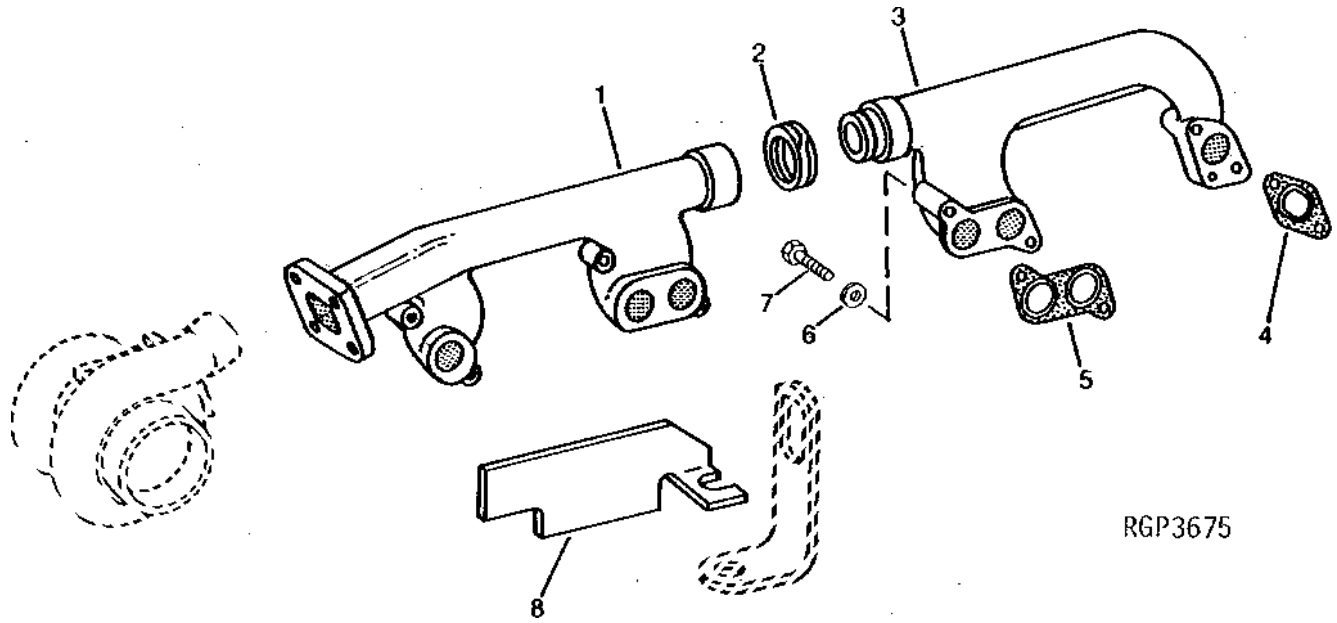


| KEY | PART NO. | PART NAME | QTY | ENGINE SERIAL NO. | REMARKS |
|-----|----------|-----------|-----|----------------------------------|---------|
| 1 | RE29488 | HOUSING | 1 | (SUB RE31258) (USE WITH RE25998) | |
| .. | RE38346 | KIT | 1 | (NLA) | |

2D19

6076 ENGINE (ENGINE SERIAL NUMBER 500000-)

EXHAUST MANIFOLDS
RGP3675 -UN-01JAN94

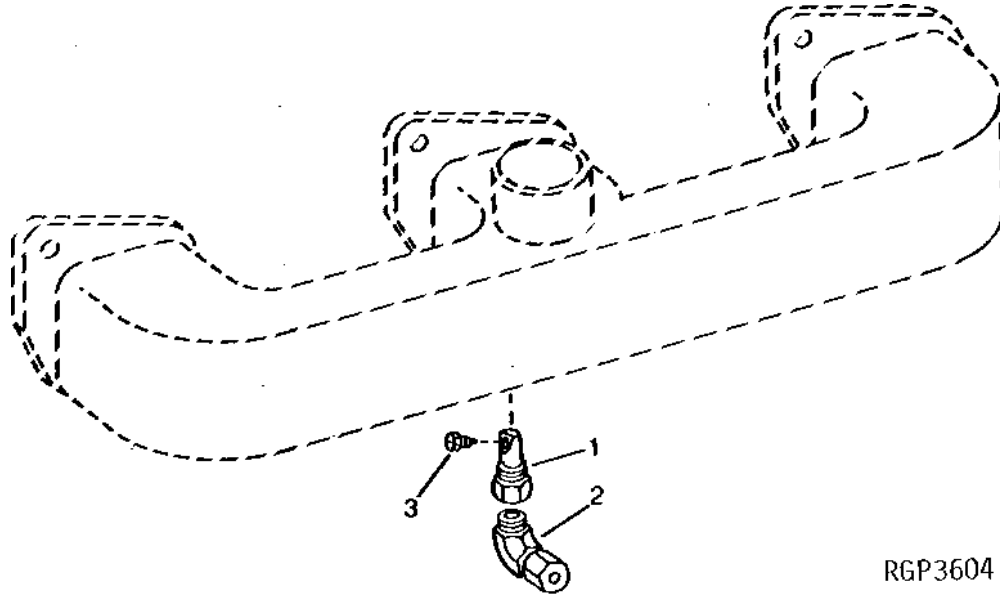


| KEY | PART NO. | PART NAME | QTY | ENGINE SERIAL NO. | REMARKS |
|-----|----------|------------------|-----|-------------------|------------------|
| 1 | R91519 | MANIFOLD | 1 | | |
| 2 | R122595 | RING | 1 | | (SUB FOR R58109) |
| 3 | R69936 | EXHAUST MANIFOLD | 1 | | |
| 4 | R83021 | GASKET | 2 | | |
| 5 | R83020 | GASKET | 2 | | |
| 6 | R63845 | WASHER | 8 | | |
| 7 | 19H2128 | CAP SCREW | 8 | 3/8" X 3" | |
| 8 | H144260 | SHIELD | 1 | | |

2D20

6076 ENGINE (ENGINE SERIAL NUMBER 50000-)

ETHER STARTING FITTINGS
RGP3604 -UN-01JAN94



| KEY | PART NO. | PART NAME | QTY | ENGINE SERIAL NO. | REMARKS |
|-----|----------|---------------|-----|-------------------|---------|
| 1 | R47160 | NOZZLE HOLDER | 1 | | |
| 2 | RE21790 | ELBOW FITTING | 1 | | |
| 3 | R28583 | NOZZLE | 1 | | |

FUEL INJECTION NOZZLES AND LINES (HH031, HH035) - CONTINUED
(ENGINE SERIAL NO. 500000-)

| KEY | PART NO. | PART NAME | QTY | ENGINE SERIAL NO. | REMARKS |
|-----|----------|------------------|-----|--|---------|
| 1 | RE47419 | FUEL LINE | 1 | NO. 6 | |
| 2 | RE47418 | FUEL LINE | 1 | NO. 5 | |
| 3 | RE47417 | FUEL LINE | 1 | NO. 4 | |
| 4 | RE47416 | FUEL LINE | 1 | NO. 3 | |
| 5 | R59305 | STRAP | 1 | | |
| | R58186 | CLAMP | 2 | | |
| | R61144 | STRAP | 1 | | |
| | 21H1463 | CAP SCREW | 1 | 0.190" X 7/8" | |
| 6 | RE47415 | FUEL LINE | 1 | NO. 2 | |
| 7 | RE47414 | FUEL LINE | 1 | NO. 1 | |
| 8 | R59298 | STRAP | 1 | | |
| | R71212 | CLAMP | 1 | | |
| | R59297 | HALF CLAMP | 2 | | |
| | R61145 | STRAP | 1 | | |
| | R71398 | SCREW | 2 | 0.190" X 1-1/2" | |
| 9 | R59305 | STRAP | 1 | | |
| | R58186 | CLAMP | 1 | | |
| | R74030 | CLAMP | 1 | | |
| | R74804 | CLAMP | 1 | | |
| | R61144 | STRAP | 1 | | |
| | R71398 | SCREW | 1 | 0.190" X 1-1/2" | |
| 10 | R59298 | STRAP | 1 | | |
| | R59297 | HALF CLAMP | 2 | | |
| | 21H1463 | CAP SCREW | 2 | 0.190" X 7/8" | |
| 11 | RE47120 | ABSORBER | 1 | | |
| 12 | 24H1884 | WASHER | 1 | 13/32" X 13/16" X 0.120" | |
| 13 | 12M7066 | LOCK WASHER | 1 | 10.200 MM, (NO LONGER REQUIRED) | |
| 14 | 19M7166 | CAP SCREW | 1 | M10 X 20 | |
| 15 | R84472 | WASHER | 6 | 7.360 X 18.160 X 2 MM (0.290" X 0.715" X 0.079") | |
| 16 | RE46364 | INJECTION NOZZLE | 6 | (ROBERT BOSCH) | |
| | RE55971 | INJECTION NOZZLE | 6 | (STANADYNE) (SUB RE46364) | |
| 17 | R77551 | O-RING | 6 | | |
| 18 | R87082 | FITTING | 6 | (ALSO ORDER R77551) | |
| 19 | R51937 | TUBE NUT | 1 | | |
| 20 | AR85519 | PLUG | 1 | | |
| 21 | R51936 | PACKING | 1 | | |
| 22 | AR104650 | FUEL LINE | NA | | |
| 23 | R79604 | TUBE NUT | 6 | | |
| 24 | R79605 | WASHER | 6 | | |
| 25 | R79606 | TEE FITTING | 6 | | |
| 26 | R51936 | PACKING | 12 | | |
| 27 | RE15807 | FUEL LINE | 2 | | |
| 28 | RE15808 | FUEL LINE | 2 | | |
| 29 | RE36421 | FUEL LINE | 2 | | |
| 30 | R97061 | TEE FITTING | 1 | | |
| 31 | AR104650 | FUEL LINE | 1 | | |
| 32 | R51937 | TUBE NUT | NA | | |
| 33 | AR85519 | PLUG | NA | | |

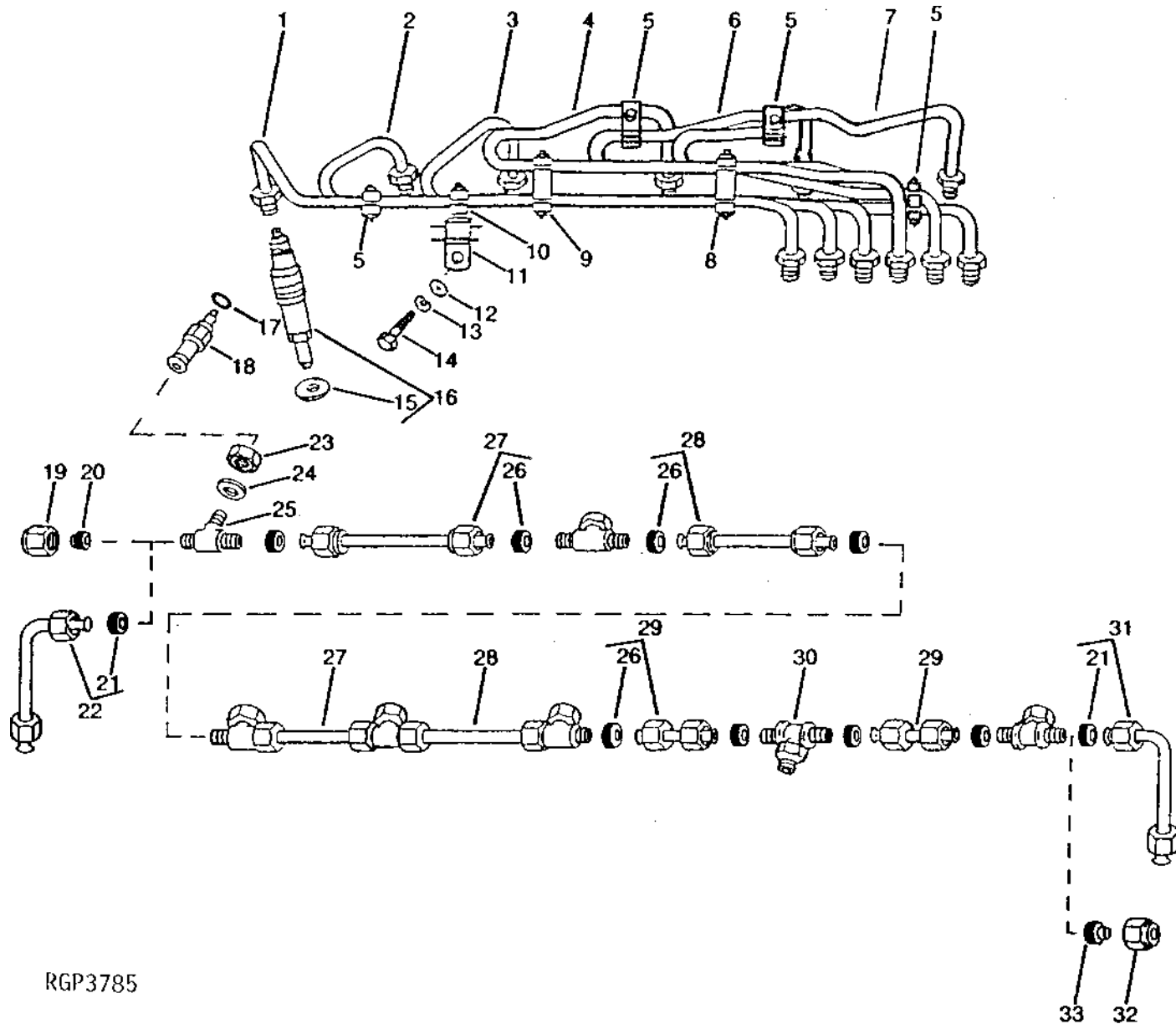
2D23

6076 ENGINE (ENGINE SERIAL NUMBER 500000-)

FUEL INJECTION NOZZLES AND LINES (HH030, HH032, HH034, HH036)

(ENGINE SERIAL NO. 500000-)

RGP3785 -UN-01JAN94



RGP3785

2D24

6076 ENGINE (ENGINE SERIAL NUMBER 500000-)

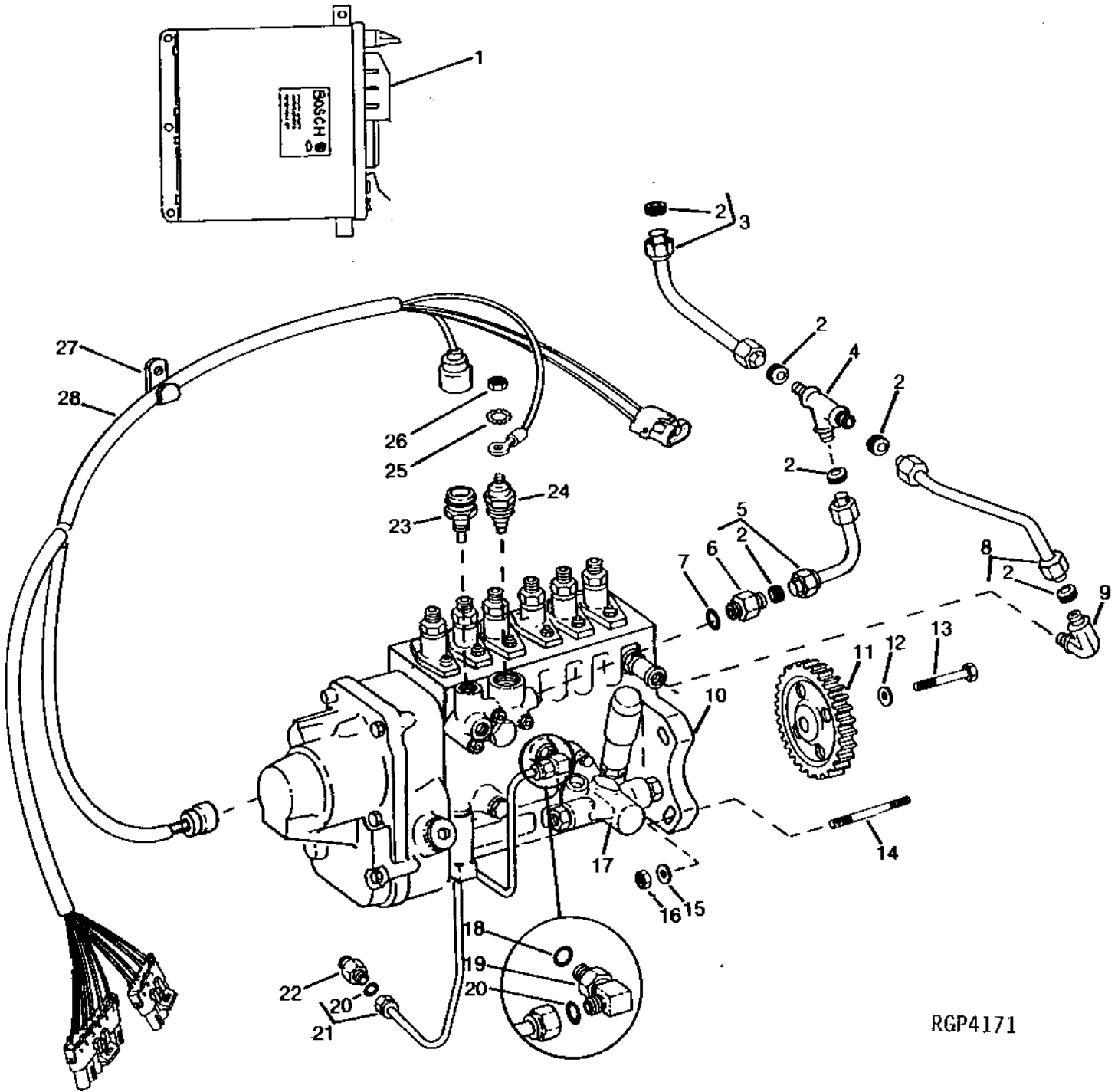
FUEL INJECTION NOZZLES AND LINES (HH030, HH032, HH034, HH036) - CONTINUED
(ENGINE SERIAL NO. 500000-)

| KEY | PART NO. | PART NAME | QTY | ENGINE SERIAL NO. | REMARKS |
|-----|----------|------------------|-----|--|----------------------------------|
| 1 | RE47431 | FUEL LINE | 1 | NO. 6 | |
| 2 | RE47430 | FUEL LINE | 1 | NO. 5 | |
| 3 | RE47429 | FUEL LINE | 1 | NO. 4 | |
| 4 | RE47428 | FUEL LINE | 1 | NO. 3 | |
| 5 | R59305 | STRAP | 1 | | |
| | R58186 | CLAMP | 2 | | |
| | R61144 | STRAP | 1 | | |
| | 21H1463 | CAP SCREW | 1 | 0.190" X 7/8" | |
| 6 | RE47427 | FUEL LINE | 1 | NO. 2 | |
| 7 | RE47426 | FUEL LINE | 1 | NO. 1 | |
| 8 | R59298 | STRAP | 1 | | |
| | R71212 | CLAMP | 1 | | |
| | R59297 | HALF CLAMP | 2 | | |
| | R61145 | STRAP | 1 | | |
| | R71398 | SCREW | 2 | 0.190" X 1-1/2" | |
| 9 | R59305 | STRAP | 1 | | |
| | R74030 | CLAMP | 1 | | |
| | R74804 | CLAMP | 1 | | |
| | R58186 | CLAMP | 1 | | |
| | R61144 | STRAP | 1 | | |
| | R71398 | SCREW | 1 | 0.190" X 1-1/2" | |
| 10 | R59298 | STRAP | 1 | | |
| | R59297 | HALF CLAMP | 2 | | |
| | 21H1463 | CAP SCREW | 2 | 0.190" X 7/8" | |
| 11 | RE47120 | ABSORBER | 1 | | |
| 12 | 24H1884 | WASHER | 1 | 13/32" X 13/16" X 0.120" | |
| 13 | 12M7066 | LOCK WASHER | 1 | 10.200 MM, (NO LONGER REQUIRED) | |
| 14 | 19M7166 | CAP SCREW | 1 | M10 X 20 | |
| 15 | R84472 | WASHER | 6 | 7.360 X 18.160 X 2 MM (0.290" X 0.715" X 0.079") | |
| 16 | RE25253 | INJECTION NOZZLE | 6 | | (DENSO) (SUB RE52113 AND R84472) |
| | RE52113 | INJECTION NOZZLE | 6 | | |
| | R84472 | WASHER | 6 | | |
| 17 | R77551 | O-RING | 6 | | |
| 18 | R87082 | FITTING | 6 | | (ALSO ORDER R77551) |
| 19 | R51937 | TUBE NUT | NA | | |
| 20 | AR85519 | PLUG | NA | | |
| 21 | R51936 | PACKING | 1 | | |
| 22 | AR104650 | FUEL LINE | 1 | | |
| 23 | R79604 | TUBE NUT | 6 | | |
| 24 | R79605 | WASHER | 6 | | |
| 25 | R79606 | TEE FITTING | 6 | | |
| 26 | R51936 | PACKING | 12 | | |
| 27 | RE15807 | FUEL LINE | 2 | | |
| 28 | RE15808 | FUEL LINE | 2 | | |
| 29 | RE36421 | FUEL LINE | 2 | | |
| 30 | R97061 | TEE FITTING | 1 | | |
| 31 | AR104650 | FUEL LINE | NA | | |
| 32 | R51937 | TUBE NUT | 1 | | |
| 33 | AR85519 | PLUG | 1 | | |

2E1

6076 ENGINE (ENGINE SERIAL NUMBER 50000-)

FUEL INJECTION PUMP, LUBE LINE AND ENGINE CONTROLLER (6076HH030)
(ENGINE SERIAL NO. 500000-536793)
(EARLY DESIGN)
RGP4171 -UN-20OCT94



RGP4171

2E2

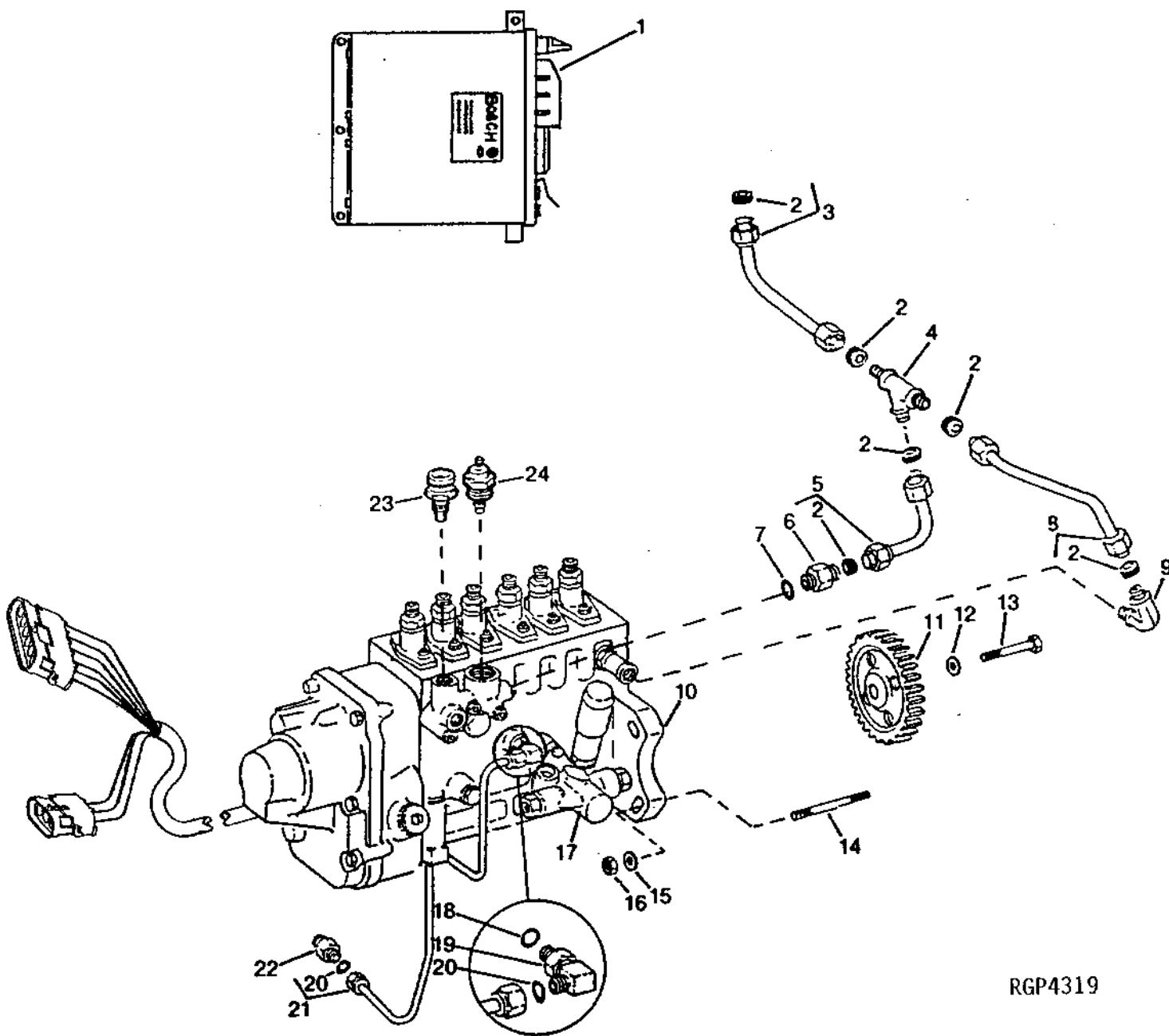
6076 ENGINE (ENGINE SERIAL NUMBER 500000-)

**FUEL INJECTION PUMP, LUBE LINE AND ENGINE CONTROLLER (6076HH030) - CONTINUED
(ENGINE SERIAL NO. 500000-536793)
(EARLY DESIGN)**

| KEY | PART NO. | PART NAME | QTY | ENGINE SERIAL NO. | REMARKS |
|-----|----------|-------------------------|-----|-------------------|---------------------------------------|
| 1 | RE48731 | ENGINE CONTROLLER | 1 | (6076HH030) | (MARKED RE28320) (ROBERT BOSCH) |
| 2 | R51936 | PACKING | 6 | | |
| 3 | RE30920 | FUEL LINE | 1 | | (SUB FOR RE49591) |
| 4 | R97061 | TEE FITTING | 1 | | |
| 5 | RE30833 | FUEL LINE | 1 | | |
| 6 | R91824 | FITTING | 1 | | |
| 7 | R48693 | WASHER | 1 | | |
| 8 | RE35684 | FUEL LINE | 1 | | |
| 9 | R67364 | ELBOW FITTING | 1 | | |
| 10 | RE47396 | FUEL INJECTION PUMP | 1 | (A) | (ROBERT BOSCH) (PES6P120A720RS3184) |
| 11 | R104590 | GEAR | 1 | | |
| 12 | R63845 | WASHER | 4 | | |
| 13 | 19H3690 | CAP SCREW | 4 | | 3/8" X 3/4", (SUB R121195) |
| | R121195 | CAP SCREW | 4 | | |
| 14 | R114130 | STUD | 4 | | (SUB FOR R55396, APPL) |
| 15 | M72490 | WASHER | 4 | | (SUB FOR R42729) |
| 16 | 14H1090 | NUT | 4 | | (SUB FOR E55662, APPL) |
| 17 | RE46252 | FUEL PUMP | 1 | | |
| 18 | R73858 | O-RING | 1 | | |
| 19 | AR88903 | ELBOW FITTING | 1 | | |
| 20 | R67264 | PACKING | 2 | | |
| 21 | RE43369 | OIL LINE | 1 | | |
| 22 | R76822 | FITTING | 1 | | |
| 23 | RE28217 | FUEL TEMPERATURE SENSOR | 1 | | (TEMPERATURE) |
| | R98500 | O-RING | 1 | | |
| 24 | R89014 | SOLENOID | 1 | | (SHUT-OFF HOUSING) |
| | R99047 | O-RING | 1 | | |
| | RE24468 | SHAFT | 1 | | (SPEED CONTROL SENSOR SHAFT WITH ARM) |
| | RE30295 | SENSOR | 1 | | (ROTARY POSITION SENSOR) |
| | R86457 | SUPPORT | 1 | | (SUPPORT SENSOR) |
| | R94648 | ANGLE | 1 | | |
| | 21H1390 | SCREW | 2 | | 0.190" X 1-3/4" |
| 25 | 12H296 | WASHER | 1 | | 0.216" |
| 26 | 14M7297 | NUT | 1 | | M5 |
| 27 | R72853 | CLAMP | 1 | | (NO LONGER REQUIRED) |
| 28 | RE31504 | WIRING HARNESS | 1 | | |
| .. | R53899 | WASHER | 1 | | |

(A) "SEE YOUR AUTHORIZED PUMP REPAIR STATION FOR PARTS NOT LISTED"

FUEL INJECTION PUMP, LUBE LINE AND ENGINE CONTROLLER
(6076HH030)
(ROBERT BOSCH)
(ENGINE SERIAL NO. 536794-565536)
(LATE DESIGN)
RGP4319 -UN-01JAN94



RGP4319

2E4

6076 ENGINE (ENGINE SERIAL NUMBER 500000-)

FUEL INJECTION PUMP, LUBE LINE AND ENGINE CONTROLLER - CONTINUED

(6076HH030, HH034
(ROBERT BOSCH)
(ENGINE SERIAL NO. 536794-565536)
(LATE DESIGN)

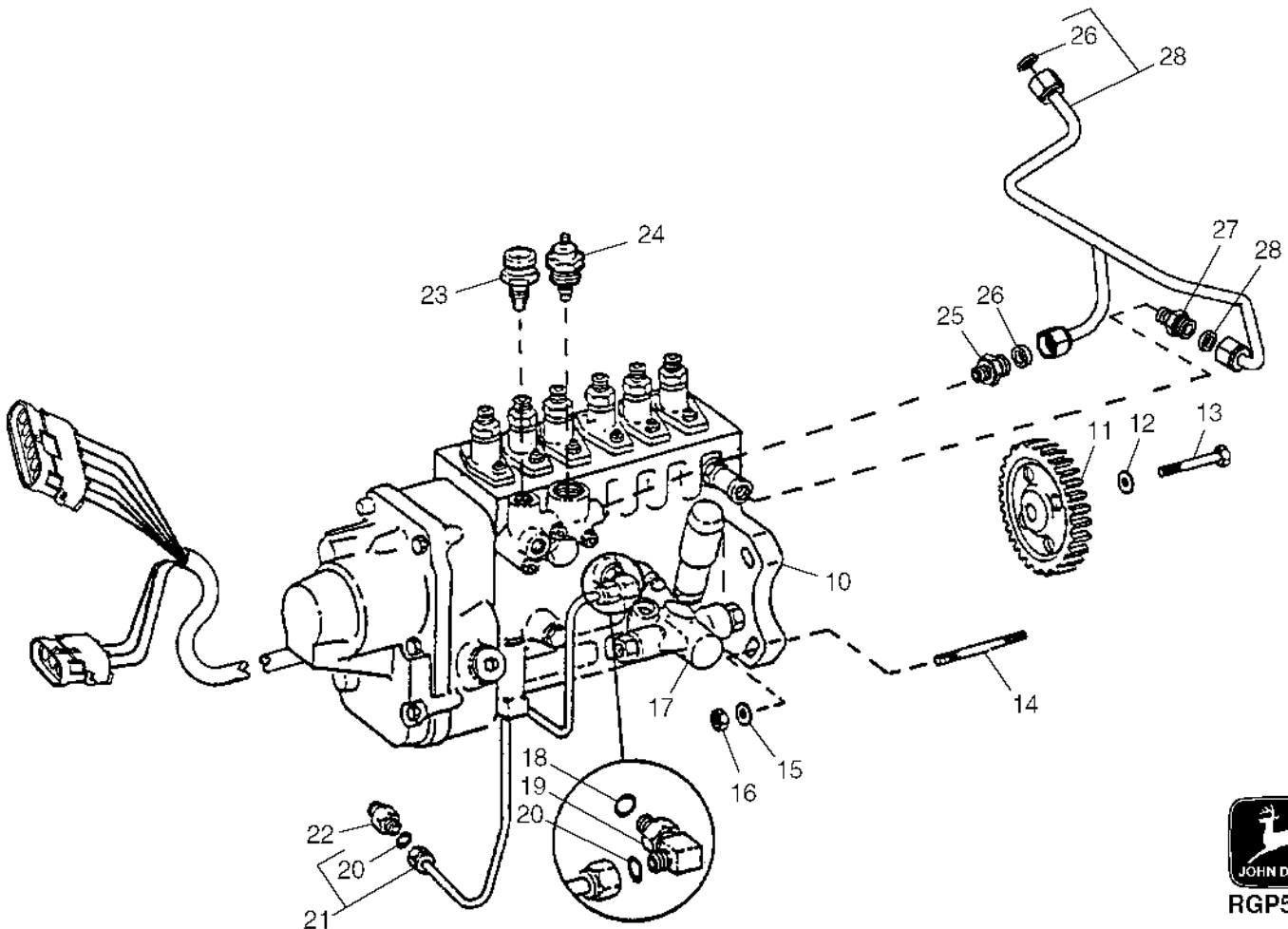
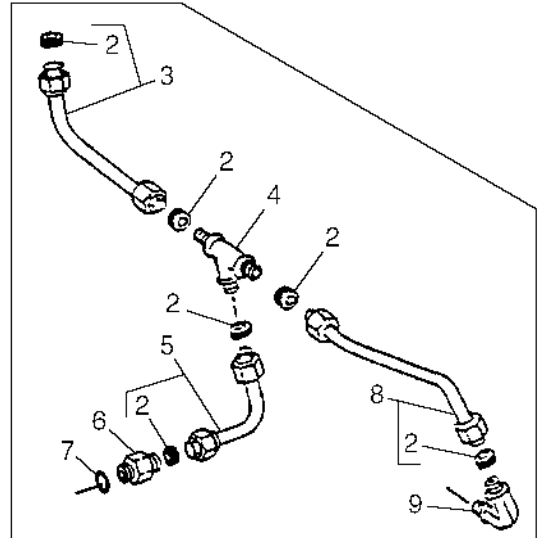
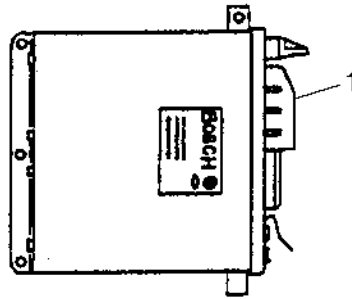
| KEY | PART NO. | PART NAME | QTY | ENGINE SERIAL NO. | REMARKS |
|-----|----------|-------------------------|-----|-------------------|---|
| 1 | RE48731 | ENGINE CONTROLLER | 1 | -565536 | (6076HH030) (MARKED RE28320) (ROBERT BOSCH) |
| | RE501809 | ENGINE CONTROLLER | 1 | | (SUB RE502146 AND RE502125) (SUB FOR RE48731) |
| | RE502146 | ENGINE CONTROLLER | 1 | | (SUB FOR RE501809 AND RE48731) (ALSO ORDER RE502125) (MARKED RE502404) |
| 2 | R51936 | PACKING | 6 | | |
| 3 | RE30920 | FUEL LINE | 1 | | |
| 4 | R97061 | TEE FITTING | 1 | | |
| 5 | RE30833 | FUEL LINE | 1 | | |
| 6 | R91824 | FITTING | 1 | | |
| 7 | R48693 | WASHER | 1 | | |
| 8 | RE35684 | FUEL LINE | 1 | | |
| 9 | R67364 | ELBOW FITTING | 1 | | |
| 10 | RE57372 | FUEL INJECTION PUMP | 1 | | (A) (ROBERT BOSCH) (PES6P120A720RS3184) (SUB RE63514 AND RE34128, APPL) |
| | RE63514 | FUEL INJECTION PUMP | 1 | | (A) (ROBERT BOSCH) |
| 11 | R104590 | GEAR | 1 | | |
| 12 | R63845 | WASHER | 4 | | |
| 13 | 19H3690 | CAP SCREW | 4 | | 3/8" X 3/4", (SUB R121195) |
| | R121195 | CAP SCREW | 4 | | |
| 14 | R114130 | STUD | 4 | | (SUB FOR R55396, APPL) |
| 15 | M72490 | WASHER | 4 | | |
| 16 | 14H1090 | NUT | 4 | | (SUB FOR E55662, APPL) |
| 17 | RE46252 | FUEL PUMP | 1 | | |
| 18 | R73858 | O-RING | 1 | | |
| 19 | AR88903 | ELBOW FITTING | 1 | | |
| 20 | R67264 | PACKING | 2 | | |
| 21 | RE43369 | OIL LINE | 1 | | |
| 22 | R76822 | FITTING | 1 | | |
| 23 | RE28217 | FUEL TEMPERATURE SENSOR | 1 | | (TEMPERATURE) |
| | R98500 | O-RING | 1 | | |
| 24 | R89014 | SOLENOID | 1 | | (SHUT-OFF HOUSING) |
| | R99047 | O-RING | 1 | | |
| .. | R53899 | WASHER | 1 | | |
| .. | RE502125 | KIT | 1 | | MOUNTING BRACKET |

(A) "SEE YOUR AUTHORIZED PUMP REPAIR STATION FOR PARTS NOT LISTED"

2E5

6076 ENGINE (ENGINE SERIAL NUMBER 50000-)

FUEL INJECTION PUMP, LUBE LINE AND ENGINE CONTROLLER
(6076HH034)
(ROBERT BOSCH)
(ENGINE SERIAL NO. 565537-)
(LATE DESIGN)
RGP5313 -UN-13SEP99



2E6

6076 ENGINE (ENGINE SERIAL NUMBER 500000-)

FUEL INJECTION PUMP, LUBE LINE AND ENGINE CONTROLLER - CONTINUED

(6076HH034

(ROBERT BOSCH)

(ENGINE SERIAL NO. 565537-)

(LATE DESIGN)

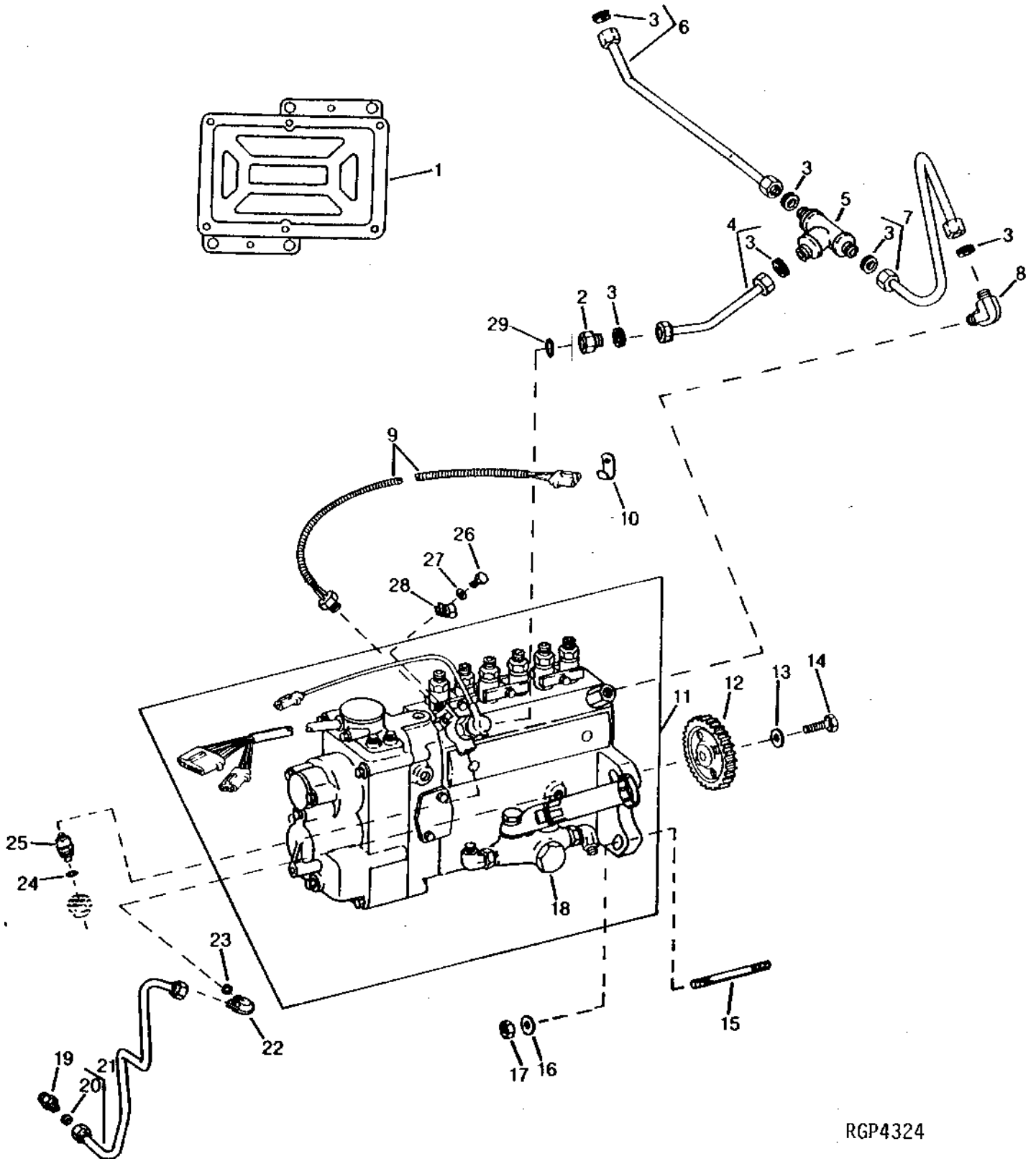
| KEY | PART NO. | PART NAME | QTY | ENGINE SERIAL NO. | REMARKS |
|-----|----------|-------------------------|-----|-------------------|--|
| 1 | RE66548 | ENGINE CONTROLLER | 1 | 565537-587620 | (MARKED RE28320) (SUB RE501248) (ROBERT BOSCH) |
| | RE501248 | ENGINE CONTROLLER | 1 | | (SUB RE501709) (SUB FOR RE66548) |
| | RE501709 | ENGINE CONTROLLER | 1 | | (SUB RE501814) (SUB FOR RE501248 AND RE566548) |
| | RE501814 | ENGINE CONTROLLER | 1 | | (SUB RE501694 AND RE502125) (SUB FOR RE501709, RE501248 AND RE66548) |
| | RE501694 | ENGINE CONTROLLER | 1 | | (SUB FOR RE501709, RE501248, RE66548 AND RE501814) (ALSO ORDER RE502125) (MARKED RE502404) |
| | RE500109 | ENGINE CONTROLLER | 1 | 587621- | (MARKED RE66614) (FOCUS) |
| | RE501251 | ENGINE CONTROLLER | 1 | | (SUB FOR RE500109) |
| 2 | R51936 | PACKING | 6 | -XXXXXX | |
| 3 | RE30920 | FUEL LINE | 1 | -XXXXXX | |
| 4 | R97061 | TEE FITTING | 1 | -XXXXXX | |
| 5 | RE30833 | FUEL LINE | 1 | -XXXXXX | |
| 6 | R91824 | FITTING | 1 | -XXXXXX | |
| 7 | R48693 | WASHER | 1 | -XXXXXX | |
| 8 | RE35684 | FUEL LINE | 1 | -XXXXXX | |
| 9 | R67364 | ELBOW FITTING | 1 | -XXXXXX | |
| 10 | RE57372 | FUEL INJECTION PUMP | 1 | | (A) (ROBERT BOSCH) (PES6P120A720RS3184) (SUB RE63514 AND RE34128, APPL) |
| | RE63514 | FUEL INJECTION PUMP | 1 | | (A) (ROBERT BOSCH) |
| 11 | R104590 | GEAR | 1 | | |
| 12 | R63845 | WASHER | 4 | | |
| 13 | 19H3690 | CAP SCREW | 4 | | 3/8" X 3/4", (SUB R121195) |
| | R121195 | CAP SCREW | 4 | | |
| 14 | R114130 | STUD | 4 | | (SUB FOR R55396, APPL) |
| 15 | M72490 | WASHER | 4 | | |
| 16 | 14H1090 | NUT | 4 | | (SUB FOR E55662, APPL) |
| 17 | RE46252 | FUEL PUMP | 1 | | |
| 18 | R73858 | O-RING | 1 | | |
| 19 | AR88903 | ELBOW FITTING | 1 | | |
| 20 | R67264 | PACKING | 2 | | |
| 21 | RE43369 | OIL LINE | 1 | | |
| 22 | R76822 | FITTING | 1 | | |
| 23 | RE28217 | FUEL TEMPERATURE SENSOR | 1 | | (TEMPERATURE) |
| | R98500 | O-RING | 1 | | |
| 24 | R89014 | SOLENOID | 1 | | (SHUT-OFF HOUSING) |
| | R99047 | O-RING | 1 | | |
| 25 | RE67934 | CONNECTOR | 1 | XXXXXX- | |
| 26 | R51936 | PACKING | 3 | XXXXXX- | |
| 27 | R63604 | FITTING | 1 | XXXXXX- | |
| 28 | RE66000 | FUEL LINE | 1 | XXXXXX-XXXXXX | |
| | RE501262 | FUEL LINE | 1 | XXXXXX- | (SUB RE504635) |
| | RE504635 | FUEL LINE | 1 | | (SUB FOR RE501262) |
| .. | R53899 | WASHER | 1 | | |
| .. | RE502125 | KIT | 1 | | MOUNTING BRACKET |

(A) "SEE YOUR AUTHORIZED PUMP REPAIR STATION FOR PARTS NOT LISTED"

2E7

6076 ENGINE (ENGINE SERIAL NUMBER 500000-)

FUEL INJECTION PUMP, LUBE LINE AND ENGINE CONTROLLER (6076HH031)
(DENSO)
(ENGINE SERIAL NO. 500000-538145) (85MM INJECTION PUMP BORE)
(EARLY DESIGN BLOCK MARKED - R100406, R119996 OR R122737)
RGP4324 -UN-01JAN94



RGP4324

2E8

6076 ENGINE (ENGINE SERIAL NUMBER 500000-)

FUEL INJECTION PUMP, LUBE LINE AND ENGINE CONTROLLER (6076HH031) - CONTINUED**(DENSO)****(ENGINE SERIAL NO. 500000-538145) (85MM INJECTION PUMP BORE)****(EARLY DESIGN BLOCK MARKED - R100406, R119996 OR R122737)**

| KEY | PART NO. | PART NAME | QTY | ENGINE SERIAL NO. | REMARKS |
|-----|----------|---------------------|-----|----------------------------|--|
| 1 | RE46802 | ENGINE CONTROLLER | 1 | | (MARKED RE34048 OR RE34049) (ROBERT BOSCH) |
| 2 | R83489 | FITTING | 1 | | |
| 3 | R51936 | PACKING | 6 | | |
| 4 | RE38871 | FUEL LINE | 1 | | |
| 5 | R97061 | TEE FITTING | 1 | | |
| 6 | RE35800 | FUEL LINE | 1 | | |
| 7 | RE35799 | FUEL LINE | 1 | | |
| 8 | R67364 | ELBOW FITTING | 1 | | |
| 9 | RE35284 | SENDER | 1 | | |
| 10 | R72853 | CLAMP | 1 | | |
| 11 | RE44518 | FUEL INJECTION PUMP | 1 | (A) (DENSO) | |
| 12 | R104590 | GEAR | 1 | | |
| 13 | R63845 | WASHER | 4 | | |
| 14 | 19H3690 | CAP SCREW | 4 | 3/8" X 3/4", (SUB R121195) | |
| | R121195 | CAP SCREW | 4 | | |
| 15 | R114130 | STUD | 4 | (SUB FOR R55396, APPL) | |
| 16 | M72490 | WASHER | 4 | (SUB FOR R42729) | |
| 17 | 14H1090 | NUT | 4 | (SUB FOR E55662, APPL.) | |
| 18 | RE48606 | FUEL PUMP | 1 | | |
| 19 | R76822 | FITTING | 1 | | |
| 20 | R67264 | PACKING | 1 | | |
| 21 | RE50140 | OIL LINE | 1 | | |
| 22 | AT32335 | ELBOW FITTING | 1 | | |
| 23 | R73858 | O-RING | 1 | | |
| 24 | R98502 | RING | 1 | | |
| 25 | RE34100 | SOLENOID | 1 | | |
| 26 | 19H2038 | CAP SCREW | 1 | 3/8" X 1/2" | |
| 27 | 24H1305 | WASHER | 1 | 13/32" X 13/16" X 0.065" | |
| 28 | T13814 | CLAMP | 1 | | |
| 29 | R53901 | WASHER | 1 | | |

(A) "SEE YOUR AUTHORIZED PUMP REPAIR STATION FOR PARTS NOT LISTED."

2E9

6076 ENGINE (ENGINE SERIAL NUMBER 500000-)

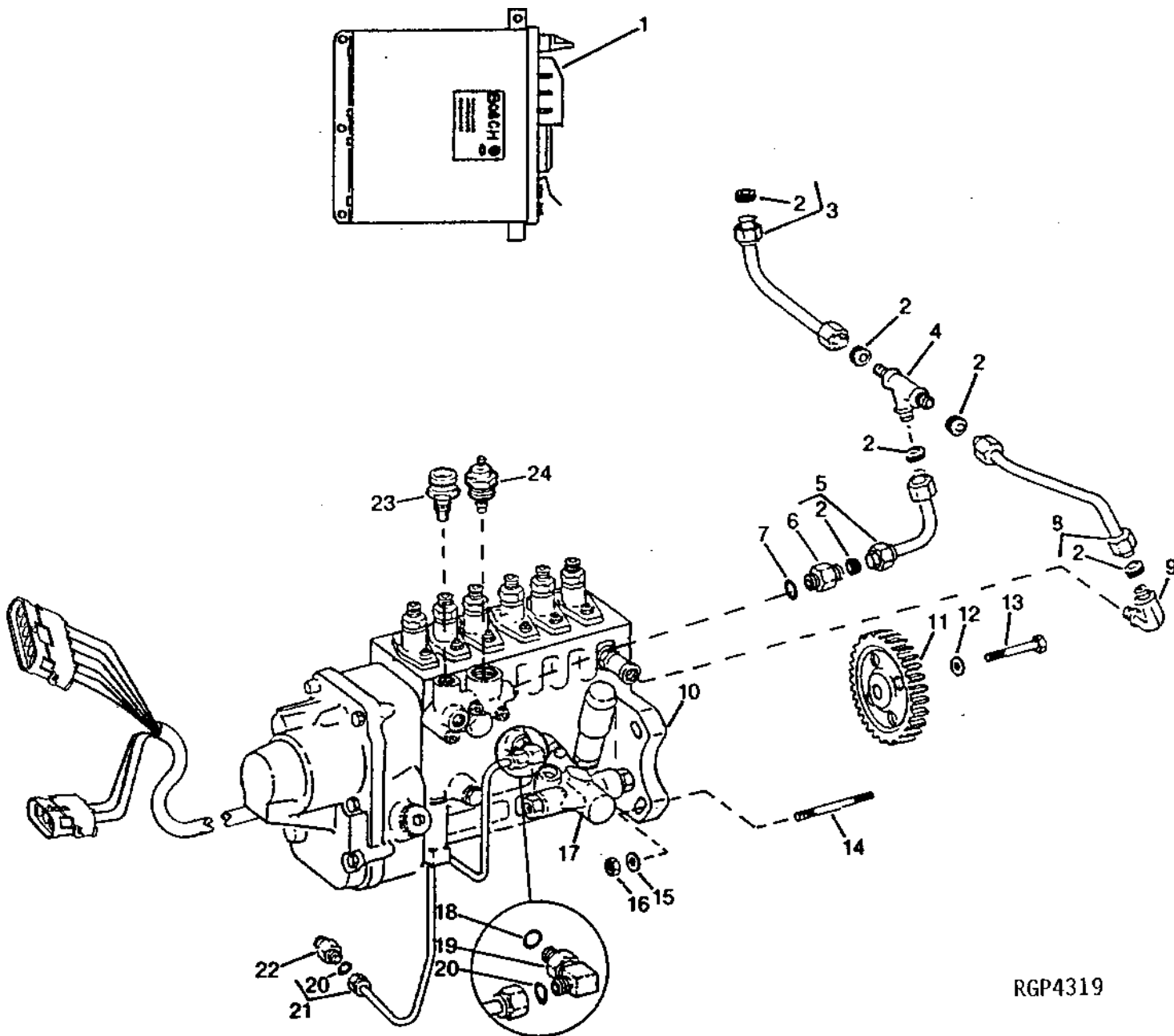
FUEL INJECTION PUMP, LUBE LINE AND ENGINE CONTROLLER (6076HH031 OR HH035)

(ROBERT BOSCH)

(ENGINE SERIAL NO. 538146-565942) (95MM INJECTION PUMP BORE)

(LATE DESIGN BLOCK MARKED - R122736)

RGP4319 -UN-01JAN94



RGP4319

2E10

6076 ENGINE (ENGINE SERIAL NUMBER 500000-)

FUEL INJECTION PUMP, LUBE LINE AND ENGINE CONTROLLER (6076HH031) - CONTINUED
(ROBERT BOSCH)
(ENGINE SERIAL NUMBER 538146-565942) (95MM INJECTION PUMP BORE)
(LATE DESIGN BLOCK MARKED - R122736)

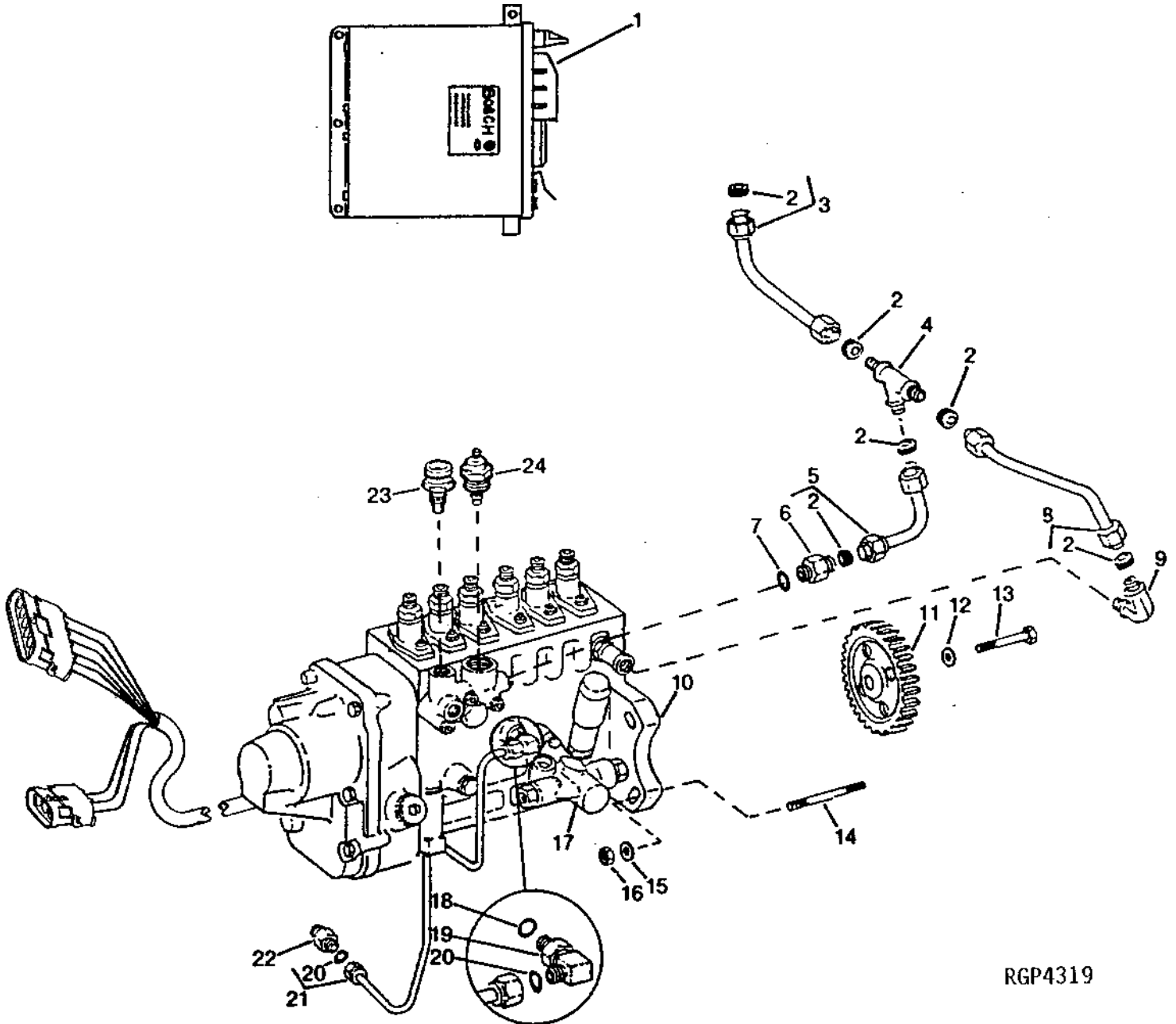
| KEY | PART NO. | PART NAME | QTY | ENGINE SERIAL NO. | REMARKS |
|-----|----------|-------------------------|-----|-------------------|---|
| 1 | RE62898 | ENGINE CONTROLLER | 1 | -565942 | (MARKED RE28320) (SUB RE501828) (ROBERT BOSCH) |
| | RE501828 | ENGINE CONTROLLER | 1 | | (SUB RE502147 AND RE502125) (SUB FOR RE62898) |
| | RE502147 | ENGINE CONTROLLER | 1 | | (SUB FOR RE501828 AND RE62898) (ALSO ORDER RE502125) (MARKED RE502404) |
| 2 | R51936 | PACKING | 6 | | |
| 3 | RE30920 | FUEL LINE | 1 | | |
| 4 | R97061 | TEE FITTING | 1 | | |
| 5 | RE30833 | FUEL LINE | 1 | | |
| 6 | R91824 | FITTING | 1 | | |
| 7 | R48693 | WASHER | 1 | | |
| 8 | RE35684 | FUEL LINE | 1 | | |
| 9 | R67364 | ELBOW FITTING | 1 | | |
| 10 | RE57372 | FUEL INJECTION PUMP | 1 | | (A) (ROBERT BOSCH) (PES6P120A720RS3184) (SUB RE63514 AND RE34128, APPL) |
| | RE63514 | FUEL INJECTION PUMP | 1 | | (A) (ROBERT BOSCH) |
| 11 | R104590 | GEAR | 1 | | |
| 12 | R63845 | WASHER | 4 | | |
| 13 | 19H3690 | CAP SCREW | 4 | | 3/8" X 3/4", (SUB R121195) |
| | R121195 | CAP SCREW | 4 | | |
| 14 | R114130 | STUD | 4 | | (SUB FOR R55396, APPL) |
| 15 | M72490 | WASHER | 4 | | |
| 16 | 14H1090 | NUT | 4 | | (SUB FOR E55662, APPL) |
| 17 | RE46252 | FUEL PUMP | 1 | | |
| 18 | R73858 | O-RING | 1 | | |
| 19 | AR88903 | ELBOW FITTING | 1 | | |
| 20 | R67264 | PACKING | 2 | | |
| 21 | RE43369 | OIL LINE | 1 | | |
| 22 | R76822 | FITTING | 1 | | |
| 23 | RE28217 | FUEL TEMPERATURE SENSOR | 1 | | (TEMPERATURE) |
| | R98500 | O-RING | 1 | | |
| 24 | R89014 | SOLENOID | 1 | | (SHUT-OFF HOUSING) |
| | R99047 | O-RING | 1 | | |
| .. | R53899 | WASHER | 1 | | MOUNTING BRACKET |
| .. | RE502125 | KIT | 1 | | |

(A) "SEE YOUR AUTHORIZED PUMP REPAIR STATION FOR PARTS NOT LISTED"

2E11

6076 ENGINE (ENGINE SERIAL NUMBER 500000-)

FUEL INJECTION PUMP, LUBE LINE AND ENGINE CONTROLLER (6076HH035)
(ROBERT BOSCH)
(ENGINE SERIAL NO. 565943-) (95MM INJECTION PUMP BORE)
(LATE DESIGN BLOCK MARKED - R122736)
RGP4319 -UN-01JAN94



RGP4319

2E12

6076 ENGINE (ENGINE SERIAL NUMBER 500000-)

FUEL INJECTION PUMP, LUBE LINE AND ENGINE CONTROLLER (6076HH035) - CONTINUED

(ROBERT BOSCH)

(ENGINE SERIAL NUMBER 565943-) (95MM INJECTION PUMP BORE)

(LATE DESIGN BLOCK MARKED - R122736)

| KEY | PART NO. | PART NAME | QTY | ENGINE SERIAL NO. | REMARKS |
|-----|----------|-------------------------|-----|-------------------|--|
| 1 | RE66555 | ENGINE CONTROLLER | 1 | 565943-587620 | (SUB RE501246) (ROBERT BOSCH) |
| | RE501246 | ENGINE CONTROLLER | 1 | | (SUB RE502147 AND RE502125) (SUB FOR RE66555) |
| | RE501711 | ENGINE CONTROLLER | 1 | | (SUB RE501812) (SUB FOR RE501246 AND RE66555) |
| | RE501812 | ENGINE CONTROLLER | 1 | | (SUB RE501249 AND RE502125) (SUB FOR RE501711, RE501246 AND RE66555) |
| | RE501249 | ENGINE CONTROLLER | 1 | | (SUB FOR RE501812, RE501711, RE501246, RE66555 AND RE500110) (ALSO ORDER RE502125) (MARKED RE502404) |
| | RE500110 | ENGINE CONTROLLER | 1 | 587621- | (MARKED RE66614) (SUB RE501249) (FOCUS) |
| 2 | R51936 | PACKING | 6 | | -XXXXXX |
| 3 | RE30920 | FUEL LINE | 1 | | -XXXXXX |
| 4 | R97061 | TEE FITTING | 1 | | -XXXXXX |
| 5 | RE30833 | FUEL LINE | 1 | | -XXXXXX |
| 6 | R91824 | FITTING | 1 | | -XXXXXX |
| 7 | R48693 | WASHER | 1 | | -XXXXXX |
| 8 | RE35684 | FUEL LINE | 1 | | -XXXXXX |
| 9 | R67364 | ELBOW FITTING | 1 | | -XXXXXX |
| 10 | RE57372 | FUEL INJECTION PUMP | 1 | | (A) (ROBERT BOSCH) (PES6P120A720RS3184) (SUB RE63514 AND RE34128, APPL) |
| | RE63514 | FUEL INJECTION PUMP | 1 | | (A) (ROBERT BOSCH) |
| 11 | R104590 | GEAR | 1 | | |
| 12 | R63845 | WASHER | 4 | | |
| 13 | 19H3690 | CAP SCREW | 4 | | 3/8" X 3/4", (SUB R121195) |
| | R121195 | CAP SCREW | 4 | | |
| 14 | R114130 | STUD | 4 | | (SUB FOR R55396, APPL) |
| 15 | M72490 | WASHER | 4 | | |
| 16 | 14H1090 | NUT | 4 | | (SUB FOR E55662, APPL) |
| 17 | RE46252 | FUEL PUMP | 1 | | |
| 18 | R73858 | O-RING | 1 | | |
| 19 | AR88903 | ELBOW FITTING | 1 | | |
| 20 | R67264 | PACKING | 2 | | |
| 21 | RE43369 | OIL LINE | 1 | | |
| 22 | R76822 | FITTING | 1 | | |
| 23 | RE28217 | FUEL TEMPERATURE SENSOR | 1 | | (TEMPERATURE) |
| | R98500 | O-RING | 1 | | |
| 24 | R89014 | SOLENOID | 1 | | (SHUT-OFF HOUSING) |
| | R99047 | O-RING | 1 | | |
| 25 | RE67934 | CONNECTOR | 1 | XXXXXX- | |
| 26 | R51936 | PACKING | 3 | XXXXXX- | |
| 27 | R63604 | FITTING | 1 | XXXXXX- | |
| 28 | RE66000 | FUEL LINE | 1 | XXXXXX-XXXXXX | |
| | RE501262 | FUEL LINE | 1 | XXXXXX- | (SUB RE504635) |
| | RE504635 | FUEL LINE | 1 | | (SUB FOR RE501262) |
| .. | R53899 | WASHER | 1 | | MOUNTING BRACKET |
| .. | RE502125 | KIT | 1 | | |

(A) "SEE YOUR AUTHORIZED PUMP REPAIR STATION FOR PARTS NOT LISTED"

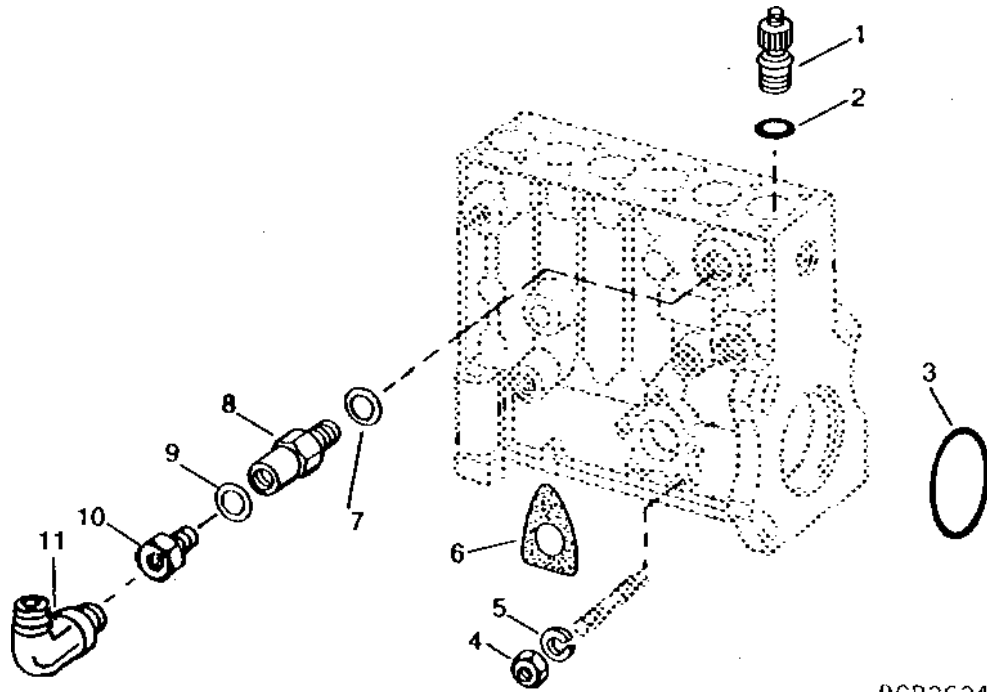
2E13

6076 ENGINE (ENGINE SERIAL NUMBER 500000-)

FUEL INJECTION PUMP HOUSING CONNECTORS (6076HH030, HH032, HH034, HH036)

(ENGINE SERIAL NO. 500000-)

RGP3634 -UN-01JAN94



| KEY | PART NO. | PART NAME | QTY | ENGINE SERIAL NO. | REMARKS |
|-----|----------|---------------|-----|-------------------|---------|
| 1 | R99531 | HOLDER | 6 | (NLA) | |
| 2 | T24210 | O-RING | 6 | | |
| 3 | R53884 | O-RING | 1 | | |
| 4 | 14M7272 | NUT | 3 | M6 | |
| 5 | 12M7006 | LOCK WASHER | 3 | 6.100 MM | |
| 6 | R67879 | GASKET | 1 | | |
| 7 | R53899 | WASHER | 1 | | |
| 8 | RE36151 | CONTROL VALVE | 1 | | |
| 9 | R53901 | WASHER | 1 | | |
| 10 | R63016 | ADAPTER | 1 | | |
| 11 | R67364 | ELBOW FITTING | 1 | | |

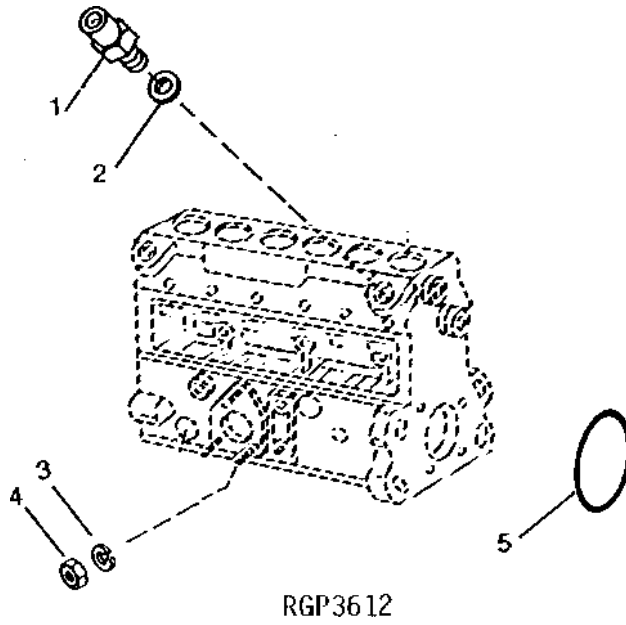
2E14

6076 ENGINE (ENGINE SERIAL NUMBER 500000-)

FUEL INJECTION PUMP HOUSING CONNECTORS (DENSO) (6076HH031)

(ENGINE SERIAL NO. 500000-538145)

RGP3612 -UN-01JAN94



| KEY | PART NO. | PART NAME | QTY | ENGINE SERIAL NO. | REMARKS |
|-----|----------|---------------|-----|-------------------|---------|
| 1 | RE10582 | CONTROL VALVE | 1 | | |
| 2 | R64857 | WASHER | 1 | | |
| 3 | 12M7006 | LOCK WASHER | 3 | 6.100 MM | |
| 4 | 14M7272 | NUT | 3 | M6 | |
| 5 | R73864 | O-RING | 1 | | |

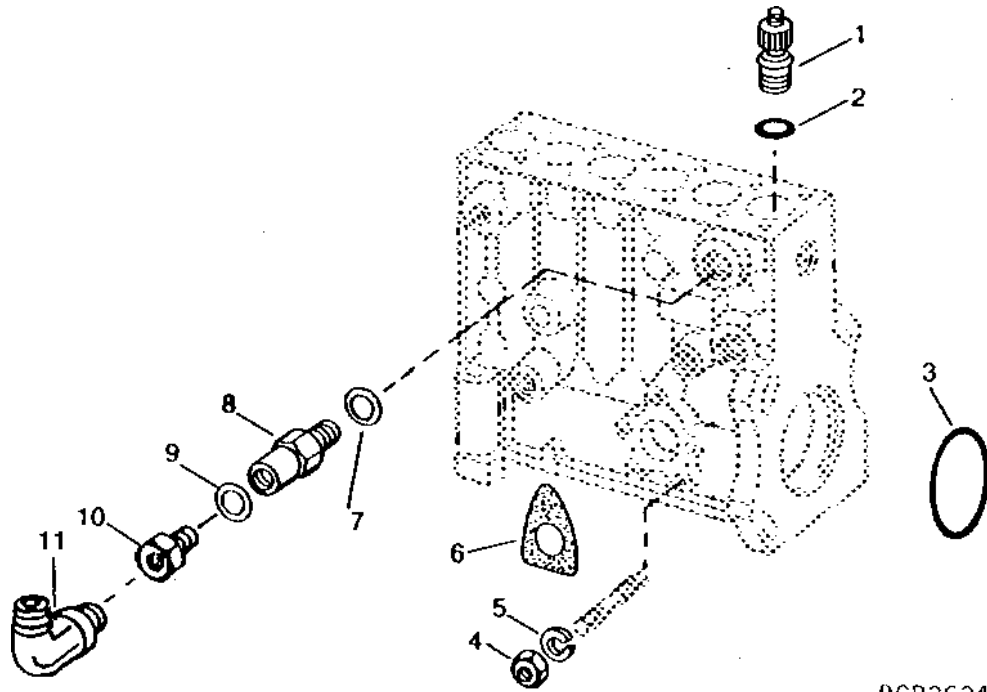
2E15

6076 ENGINE (ENGINE SERIAL NUMBER 50000-)

FUEL INJECTION PUMP HOUSING CONNECTORS (ROBERT BOSCH) (6076HH031, HH035)

(ENGINE SERIAL NO. 538146-)

RGP3634 -UN-01JAN94



| KEY | PART NO. | PART NAME | QTY | ENGINE SERIAL NO. | REMARKS |
|-----|----------|---------------|-----|-------------------|---------|
| 1 | R99531 | HOLDER | 6 | (NLA) | |
| 2 | T24210 | O-RING | 6 | | |
| 3 | R53884 | O-RING | 1 | | |
| 4 | 14M7272 | NUT | 3 | M6 | |
| 5 | 12M7006 | LOCK WASHER | 3 | 6.100 MM | |
| 6 | R67879 | GASKET | 1 | | |
| 7 | R53901 | WASHER | 1 | | |
| 8 | RE36151 | CONTROL VALVE | 1 | | |
| 9 | R53899 | WASHER | 1 | | |
| 10 | R63016 | ADAPTER | 1 | | |
| 11 | R67364 | ELBOW FITTING | 1 | | |

2E16

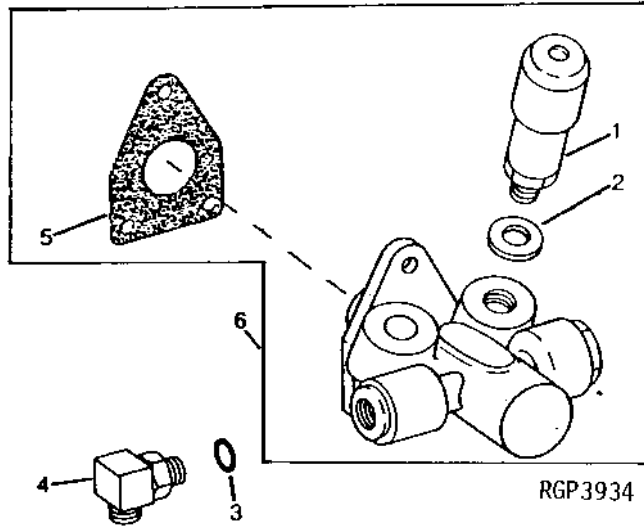
6076 ENGINE (ENGINE SERIAL NUMBER 500000-)

FUEL TRANSFER PUMP (6076HH030, HH032, HH034, HH036)

(ROBERT BOSCH)

(ENGINE SERIAL NO. 500000-)

RGP3934 -UN-01JAN94



| KEY | PART NO. | PART NAME | QTY | ENGINE SERIAL NO. | REMARKS |
|-----|----------|---------------|-----|-------------------|----------------------------|
| 1 | RE48048 | HAND PRIMER | 1 | | |
| 2 | R54025 | WASHER | 2 | | |
| 3 | R26448 | O-RING | 2 | | |
| 4 | RE10258 | ELBOW FITTING | 1 | | (OUTLET) (SUB FOR RE10259) |
| | RE34128 | ELBOW FITTING | 1 | | (INLET) |
| 5 | R67879 | GASKET | 1 | | |
| 6 | RE46252 | FUEL PUMP | 1 | | |

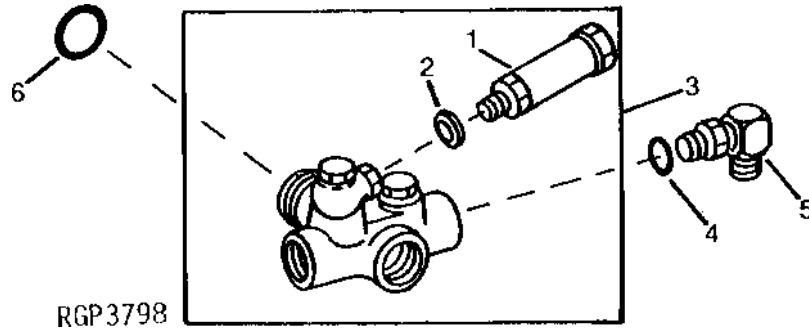
2E17

6076 ENGINE (ENGINE SERIAL NUMBER 500000-)

FUEL TRANSFER PUMP (DENSO) (6076HH031)

(ENGINE SERIAL NO. 500000-538145)

RGP3798 -UN-01JAN94



| KEY | PART NO. | PART NAME | QTY | ENGINE SERIAL NO. | REMARKS |
|-----|----------|---------------|-----|-------------------|---------|
| 1 | AR81825 | HAND PRIMER | 1 | | |
| 2 | R64854 | WASHER | 2 | | |
| 3 | RE48606 | FUEL PUMP | 1 | | |
| 4 | R26448 | O-RING | 2 | | |
| 5 | RE10258 | ELBOW FITTING | 1 | (OUTLET) | |
| | RE34128 | ELBOW FITTING | 1 | (INLET) | |
| 6 | R64927 | O-RING | 1 | | |

2E18

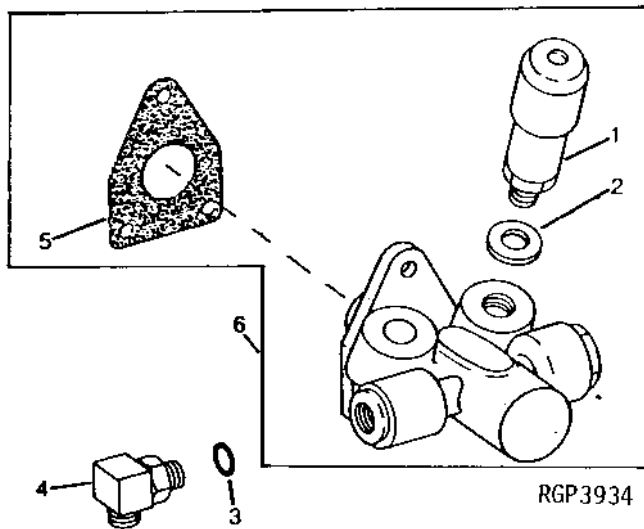
6076 ENGINE (ENGINE SERIAL NUMBER 50000-)

FUEL TRANSFER PUMP (6076HH031, HH035)

(ROBERT BOSCH)

(ENGINE SERIAL NO. 538146-)

RGP3934 -UN-01JAN94

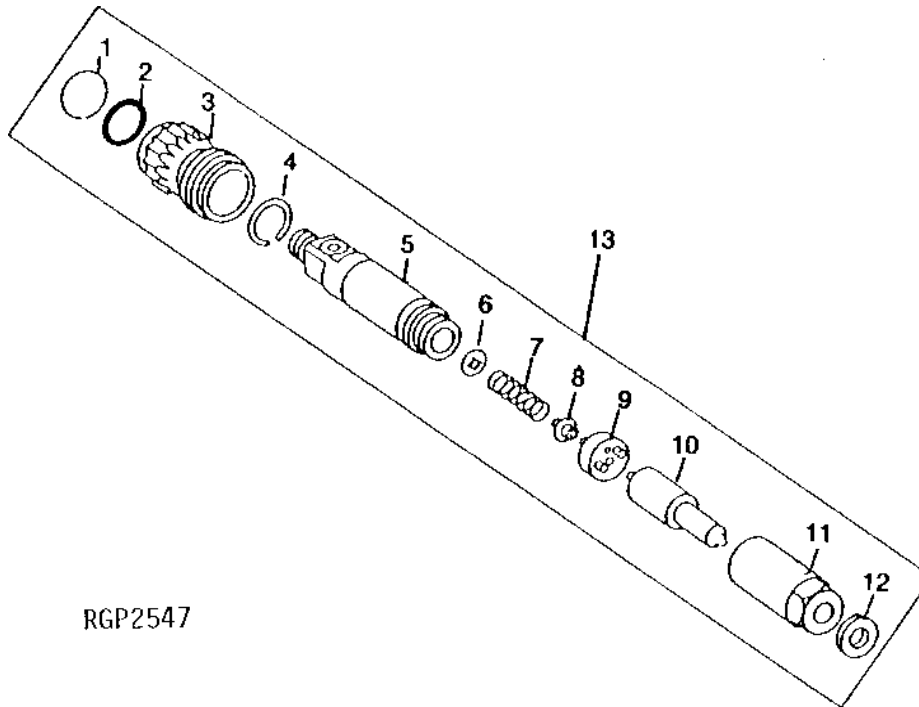


| KEY | PART NO. | PART NAME | QTY | ENGINE SERIAL NO. | REMARKS |
|-----|----------|---------------|-----|-------------------|---------|
| 1 | RE48048 | HAND PRIMER | 1 | | |
| 2 | R54025 | WASHER | 2 | | |
| 3 | R26448 | O-RING | 2 | | |
| 4 | RE10258 | ELBOW FITTING | 1 | (OUTLET) | |
| | RE34128 | ELBOW FITTING | 1 | (INLET) | |
| 5 | R67879 | GASKET | 1 | | |
| 6 | RE46252 | FUEL PUMP | 1 | | |

2E19

6076 ENGINE (ENGINE SERIAL NUMBER 500000-)

FUEL INJECTION NOZZLE (6076HH031)
 (ROBERT BOSCH)
 (ENGINE SERIAL NO. 500000-538145)
 RGP2547 -UN-01JAN94



RGP2547

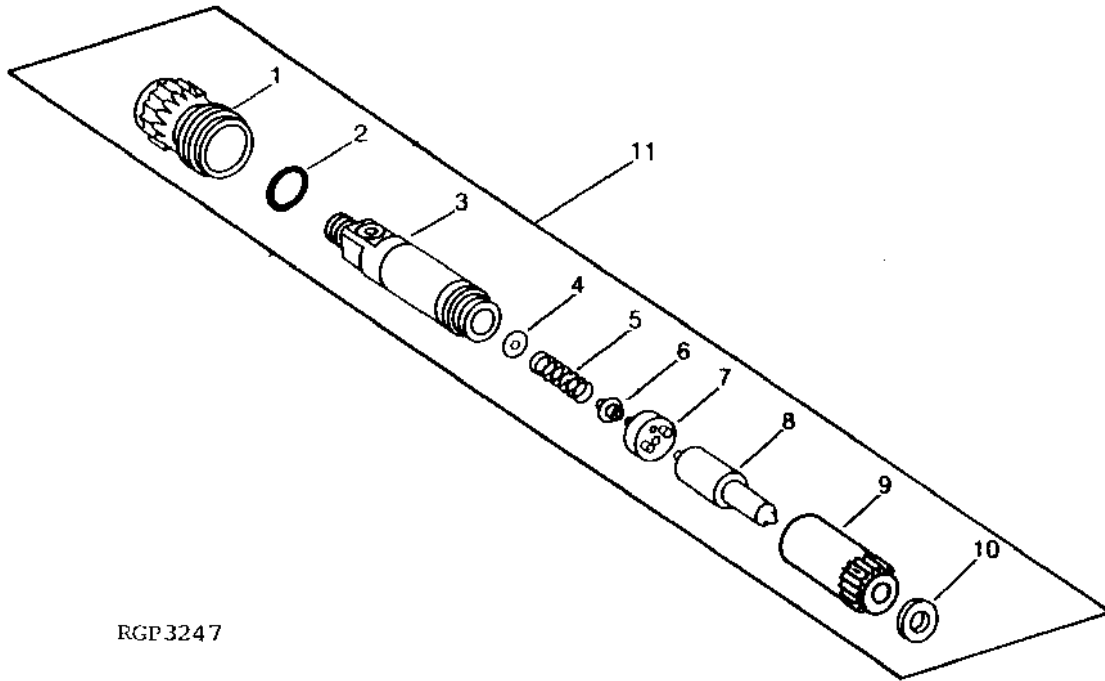
| KEY | PART NO. | PART NAME | QTY | ENGINE SERIAL NO. | REMARKS |
|-----|----------|------------------|-----|-------------------|---------|
| 1 | R60277 | SNAP RING | 1 | | |
| 2 | R51603 | O-RING | 1 | | |
| 3 | R60279 | NUT | 1 | | |
| 4 | R60278 | SNAP RING | 1 | | |
| 5 | R60272 | NOZZLE HOLDER | 1 | (SUB RE46364) | |
| 6 | R83720 | WASHER | 1 | 1.02 MM (.0402") | |
| | R83721 | WASHER | 1 | 1.08 MM (.0425") | |
| | R83722 | WASHER | 1 | 1.12 MM (.0441") | |
| | R83723 | WASHER | 1 | 1.18 MM (.0465") | |
| | R83724 | WASHER | 1 | 1.22 MM (.0480") | |
| | R83725 | WASHER | 1 | 1.28 MM (.0504") | |
| | R83726 | WASHER | 1 | 1.30 MM (.0512") | |
| | R83727 | WASHER | 1 | 1.38 MM (.0543") | |
| | R83728 | WASHER | 1 | 1.42 MM (.0559") | |
| | R83729 | WASHER | 1 | 1.48 MM (.0583") | |
| | R83730 | WASHER | 1 | 1.50 MM (.0591") | |
| | R83731 | WASHER | 1 | 1.58 MM (.0622") | |
| | R83732 | WASHER | 1 | 1.60 MM (.0630") | |
| | R83733 | WASHER | 1 | 1.68 MM (.0661") | |
| | R83734 | WASHER | 1 | 1.70 MM (.0669") | |
| | R83735 | WASHER | 1 | 1.78 MM (.0701") | |
| | R83736 | WASHER | 1 | 1.82 MM (.0717") | |
| | R83737 | WASHER | 1 | 1.88 MM (.0740") | |
| | R83738 | WASHER | 1 | 1.90 MM (.0748") | |
| | R83739 | WASHER | 1 | 1.98 MM (.0780") | |
| 7 | R108699 | SPRING | 1 | | |
| 8 | R108700 | SEAT | 1 | | |
| 9 | R108701 | PLATE | 1 | | |
| 10 | RE30973 | NOZZLE | 1 | (7 X 0.24) | |
| 11 | R108702 | NUT | 1 | | |
| 12 | R84472 | WASHER | 1 | | |
| 13 | RE46364 | INJECTION NOZZLE | 6 | (ROBERT BOSCH) | |

MEMORANDA

2E20

6076 ENGINE (ENGINE SERIAL NUMBER 500000-)

FUEL INJECTION NOZZLE (6076HH031, HH035)
(DENSO)
(ENGINE SERIAL NO. 538146-)
RGP3247 -UN-01JAN94



RGP3247

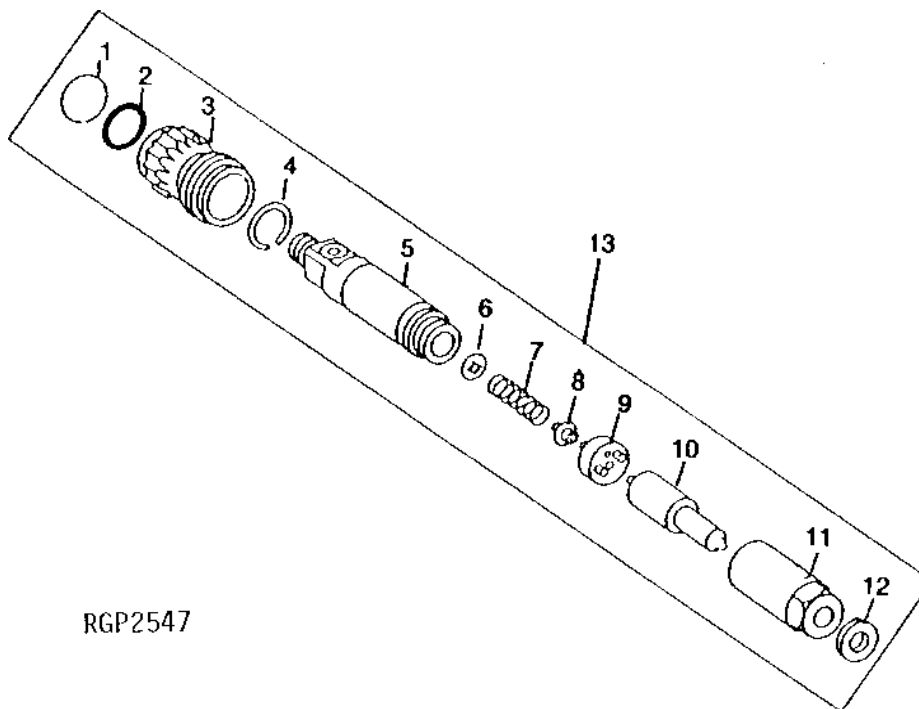
2E21

6076 ENGINE (ENGINE SERIAL NUMBER 500000-)

**FUEL INJECTION NOZZLE (6076HH031, HH035) - CONTINUED
(DENSO)
(ENGINE SERIAL NO. 538146-)**

| KEY | PART NO. | PART NAME | QTY | ENGINE SERIAL NO. | REMARKS |
|-----|----------|------------------|-----|----------------------------------|---------|
| 1 | R68035 | NUT | 1 | | |
| 2 | R69089 | O-RING | 1 | | |
| 3 | R115369 | NOZZLE HOLDER | 1 | | |
| 4 | R68036 | SHIM | AR | 0.70MM (.028") | |
| | R90544 | SHIM | AR | 0.725MM (.0285") | |
| | R68037 | SHIM | AR | 0.75MM (.030") | |
| | R90543 | WASHER | AR | 0.775MM (.0305") | |
| | R68038 | WASHER | AR | 0.80MM (.032") | |
| | R90542 | WASHER | AR | 0.825MM (.0324") | |
| | R68039 | WASHER | AR | 0.85MM (.034") | |
| | R90541 | WASHER | AR | 0.875MM (.0344") | |
| | R68040 | WASHER | AR | 0.90MM (.035") | |
| | R90540 | WASHER | AR | 0.925MM (.0364") | |
| | R68041 | WASHER | AR | 0.95MM (.037") | |
| | R90539 | WASHER | AR | 0.0975MM (.0383") | |
| | R68042 | WASHER | AR | 1.00MM (.039") | |
| | R90538 | WASHER | AR | 1.025MM (.0403") | |
| | R68043 | WASHER | AR | 1.05MM (.041") | |
| | R90537 | WASHER | AR | 1.075MM (.0423") | |
| | R68044 | WASHER | AR | 1.10MM (.043") | |
| | R90536 | WASHER | AR | 1.125MM (.0443") | |
| | R68045 | WASHER | AR | 1.15MM (.045") | |
| | R90535 | WASHER | AR | 1.175MM (.0462") | |
| | R68046 | WASHER | AR | 1.20MM (.047") | |
| | R90534 | WASHER | AR | 1.225MM (.0482") | |
| | R68047 | WASHER | AR | 1.25MM (.049") | |
| | R90533 | WASHER | AR | 1.275MM (.0502") | |
| | R68048 | WASHER | AR | 1.30MM (.051") | |
| | R90532 | WASHER | AR | 1.325MM (.0522") | |
| | R68049 | WASHER | AR | 1.35MM (.053") | |
| | R90531 | WASHER | AR | 1.375MM (.0541") | |
| | R68050 | WASHER | AR | 1.40MM (.055") | |
| | R90530 | WASHER | AR | 1.425MM (.0561") | |
| | R68051 | WASHER | AR | 1.45MM (.057") | |
| | R90529 | WASHER | AR | 1.475MM (.0580") | |
| | R68052 | WASHER | AR | 1.50MM (.059") | |
| 5 | R115368 | SPRING | 1 | | |
| 6 | R94410 | SEAT | 1 | | |
| 7 | R94412 | PLATE | 1 | | |
| 8 | RE52114 | INJECTION NOZZLE | 1 | (7 X 0.255) | |
| 9 | R94414 | NUT | 1 | | |
| 10 | R84472 | WASHER | 1 | | |
| 11 | RE25253 | INJECTION NOZZLE | 6 | (DENSO) (SUB RE52113 AND R84472) | |
| | RE52113 | INJECTION NOZZLE | 6 | | |
| | R84472 | WASHER | 6 | | |

**FUEL INJECTION NOZZLE
(STANADYNE)
(6076HH031)
RGP2547 -UN-01JAN94**



RGP2547

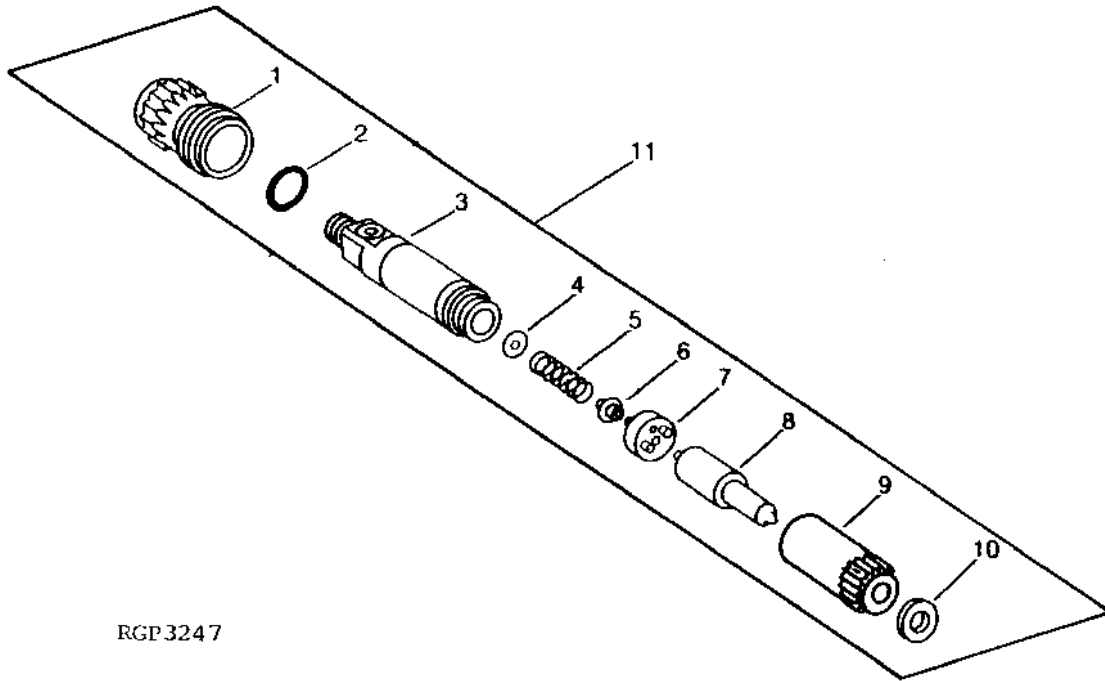
| KEY | PART NO. | PART NAME | QTY | ENGINE SERIAL NO. | REMARKS |
|-----|----------|------------------|-----|------------------------|----------------|
| 1 | R121044 | SNAP RING | 1 | (NLA) | |
| 2 | R121045 | O-RING | 1 | (NLA) | |
| 3 | R121046 | NUT | 1 | (NLA) | |
| 4 | R121047 | SNAP RING | 1 | (NLA) | |
| 5 | R121048 | NOZZLE HOLDER | 1 | (NLA) | |
| 6 | R121053 | SHIM | AR | (NLA) 1.00 MM (.0393") | |
| | R121054 | SHIM | AR | (NLA) 1.05 MM (.0413") | |
| | R121055 | SHIM | AR | (NLA) 1.10 MM (.0433") | |
| | R121056 | SHIM | AR | (NLA) 1.15 MM (.0452") | |
| | R121057 | SHIM | AR | (NLA) 1.20 MM (.0472") | |
| | R121058 | SHIM | AR | (NLA) 1.25 MM (.0492") | |
| | R121059 | SHIM | AR | (NLA) 1.30 MM (.0512") | |
| | R121060 | SHIM | AR | (NLA) 1.35 MM (.0531") | |
| | R121061 | SHIM | AR | (NLA) 1.40 MM (.0551") | |
| | R121062 | SHIM | AR | (NLA) 1.45 MM (.0571") | |
| | R121063 | SHIM | AR | (NLA) 1.50 MM (.0591") | |
| | R121064 | SHIM | AR | (NLA) 1.55 MM (.0610") | |
| | R121065 | SHIM | AR | (NLA) 1.60 MM (.0630") | |
| | R121066 | SHIM | AR | (NLA) 1.65 MM (.0650") | |
| | R121067 | SHIM | AR | (NLA) 1.70 MM (.0669") | |
| | R121068 | SHIM | AR | (NLA) 1.75 MM (.0699") | |
| | R121069 | SHIM | AR | (NLA) 1.80 MM (.0709") | |
| | R121070 | SHIM | AR | (NLA) 1.85 MM (.0728") | |
| | R121071 | SHIM | AR | (NLA) 1.90 MM (.0748") | |
| | R121072 | SHIM | AR | (NLA) 1.95 MM (.0768") | |
| | R121073 | SHIM | AR | (NLA) 2.00 MM (.0787") | |
| 7 | R122483 | SPRING | 1 | (NLA) | |
| 8 | R121050 | PLATE | 1 | (NLA) | |
| 9 | RE56740 | PLATE | 1 | (NLA) | (INTERMEDIATE) |
| | R121051 | DOWEL PIN | 2 | (NLA) | (LOCATING) |
| 10 | RE55970 | INJECTION NOZZLE | 1 | (NLA) | (7 X .235) |
| 11 | R121052 | NUT | 1 | (NLA) | |
| 12 | R84472 | WASHER | 1 | (NLA) | |
| 13 | RE55971 | INJECTION NOZZLE | 6 | (SUB RE46364) | |

MEMORANDA

2E23

6076 ENGINE (ENGINE SERIAL NUMBER 500000-)

FUEL INJECTION NOZZLE - (6076HH030, HH032, HH034, OR HH036)
(NIPPONDENSO)
(ENGINE SERIAL NO. 500000-)
RGP3247 -UN-01JAN94



RGP3247

2E24

6076 ENGINE (ENGINE SERIAL NUMBER 500000-)

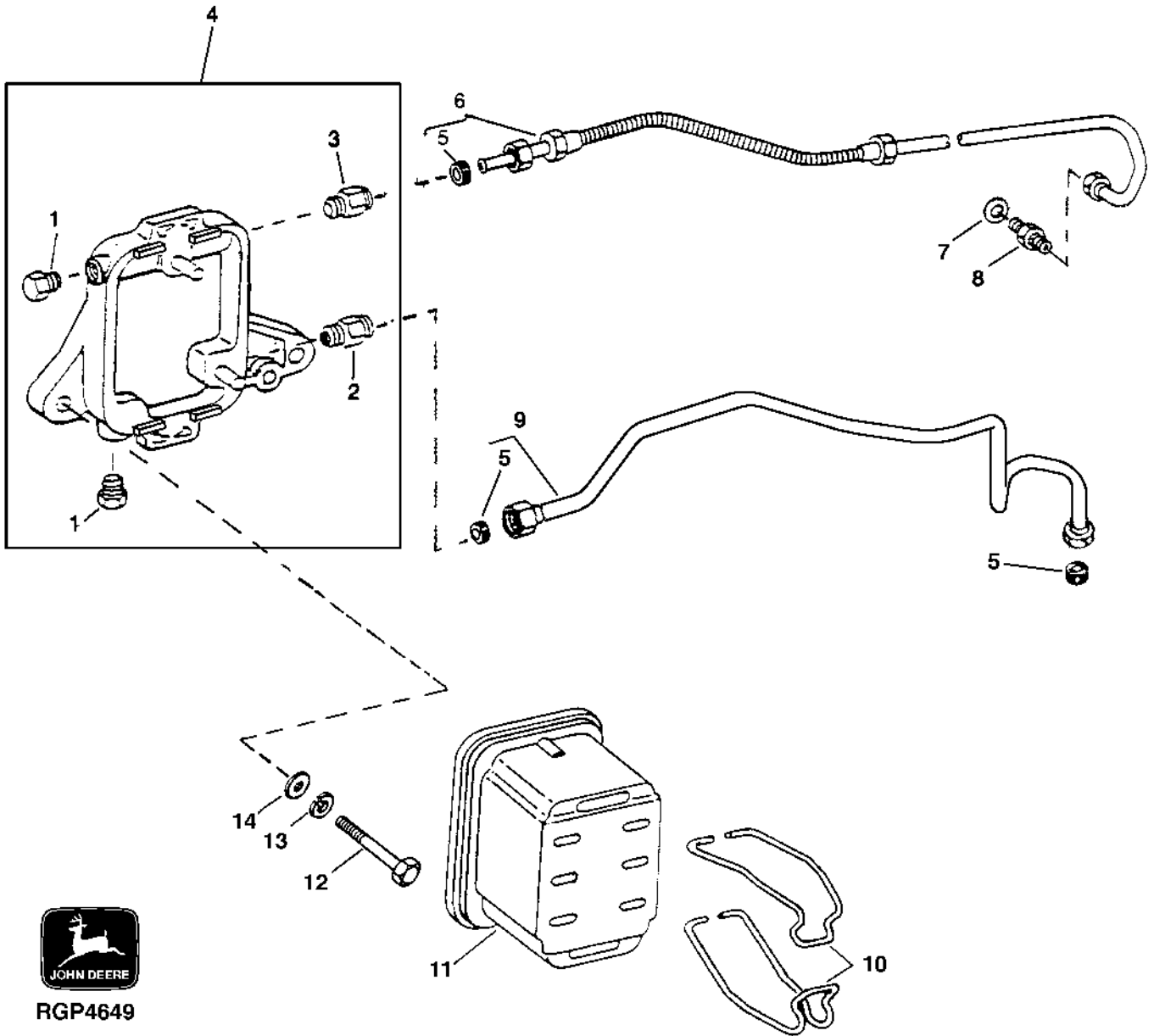
FUEL INJECTION NOZZLE - CONTINUED
(DENSO)
(ENGINE SERIAL NO. 500000-)

| KEY | PART NO. | PART NAME | QTY | ENGINE SERIAL NO. | REMARKS |
|-----|----------|------------------|-----|-------------------|----------------------------------|
| 1 | R68035 | NUT | 1 | | |
| 2 | R69089 | O-RING | 1 | | |
| 3 | R94400 | NOZZLE HOLDER | 1 | -505555 | |
| 4 | R115369 | NOZZLE HOLDER | 1 | 505556- | |
| | R68036 | SHIM | AR | | 0.70MM (.028") |
| | R90544 | SHIM | AR | | 0.725MM (.0285") |
| | R68037 | SHIM | AR | | 0.75MM (.030") |
| | R90543 | WASHER | AR | | 0.775MM (.0305") |
| | R68038 | WASHER | AR | | 0.80MM (.032") |
| | R90542 | WASHER | AR | | 0.825MM (.0324") |
| | R68039 | WASHER | AR | | 0.85MM (.034") |
| | R90541 | WASHER | AR | | 0.875MM (.0344") |
| | R68040 | WASHER | AR | | 0.90MM (.035") |
| | R90540 | WASHER | AR | | 0.925MM (.0364") |
| | R68041 | WASHER | AR | | 0.95MM (.037") |
| | R90539 | WASHER | AR | | 0.0975MM (.0383") |
| | R68042 | WASHER | AR | | 1.00MM (.039") |
| | R90538 | WASHER | AR | | 1.025MM (.0403") |
| | R68043 | WASHER | AR | | 1.05MM (.041") |
| | R90537 | WASHER | AR | | 1.075MM (.0423") |
| | R68044 | WASHER | AR | | 1.10MM (.043") |
| | R90536 | WASHER | AR | | 1.125MM (.0443") |
| | R68045 | WASHER | AR | | 1.15MM (.045") |
| | R90535 | WASHER | AR | | 1.175MM (.0462") |
| | R68046 | WASHER | AR | | 1.20MM (.047") |
| | R90534 | WASHER | AR | | 1.225MM (.0482") |
| | R68047 | WASHER | AR | | 1.25MM (.049") |
| | R90533 | WASHER | AR | | 1.275MM (.0502") |
| | R68048 | WASHER | AR | | 1.30MM (.051") |
| | R90532 | WASHER | AR | | 1.325MM (.0522") |
| | R68049 | WASHER | AR | | 1.35MM (.053") |
| | R90531 | WASHER | AR | | 1.375MM (.0541") |
| | R68050 | WASHER | AR | | 1.40MM (.055") |
| | R90530 | WASHER | AR | | 1.425MM (.0561") |
| | R68051 | WASHER | AR | | 1.45MM (.057") |
| | R90529 | WASHER | AR | | 1.475MM (.0580") |
| | R68052 | WASHER | AR | | 1.50MM (.059") |
| 5 | R68053 | SPRING | 1 | -505555 | (SUB R115368 AND R115369, APPL) |
| | R115368 | SPRING | 1 | 505556- | |
| 6 | R94410 | SEAT | 1 | | |
| 7 | R94412 | PLATE | 1 | | |
| 8 | RE29179 | INJECTION NOZZLE | 1 | -505555 | (7 X 0.255) (SUB RE52114) |
| | RE52114 | INJECTION NOZZLE | 1 | 505556- | (7 X 0.255) |
| 9 | R94414 | NUT | 1 | | |
| 10 | R84472 | WASHER | 1 | | |
| 11 | RE25253 | INJECTION NOZZLE | 6 | | (DENSO) (SUB RE52113 AND R84472) |
| | RE52113 | INJECTION NOZZLE | 6 | | |
| | R84472 | WASHER | 6 | | |

2F1

6076 ENGINE (ENGINE SERIAL NUMBER 500000-)

FUEL FILTER AND LINES (HH030, HH032, HH034, HH036)
(ENGINE SERIAL NO. 500000-)
RGP4649 -UN-04APR96



RGP4649

2F2

6076 ENGINE (ENGINE SERIAL NUMBER 500000-)

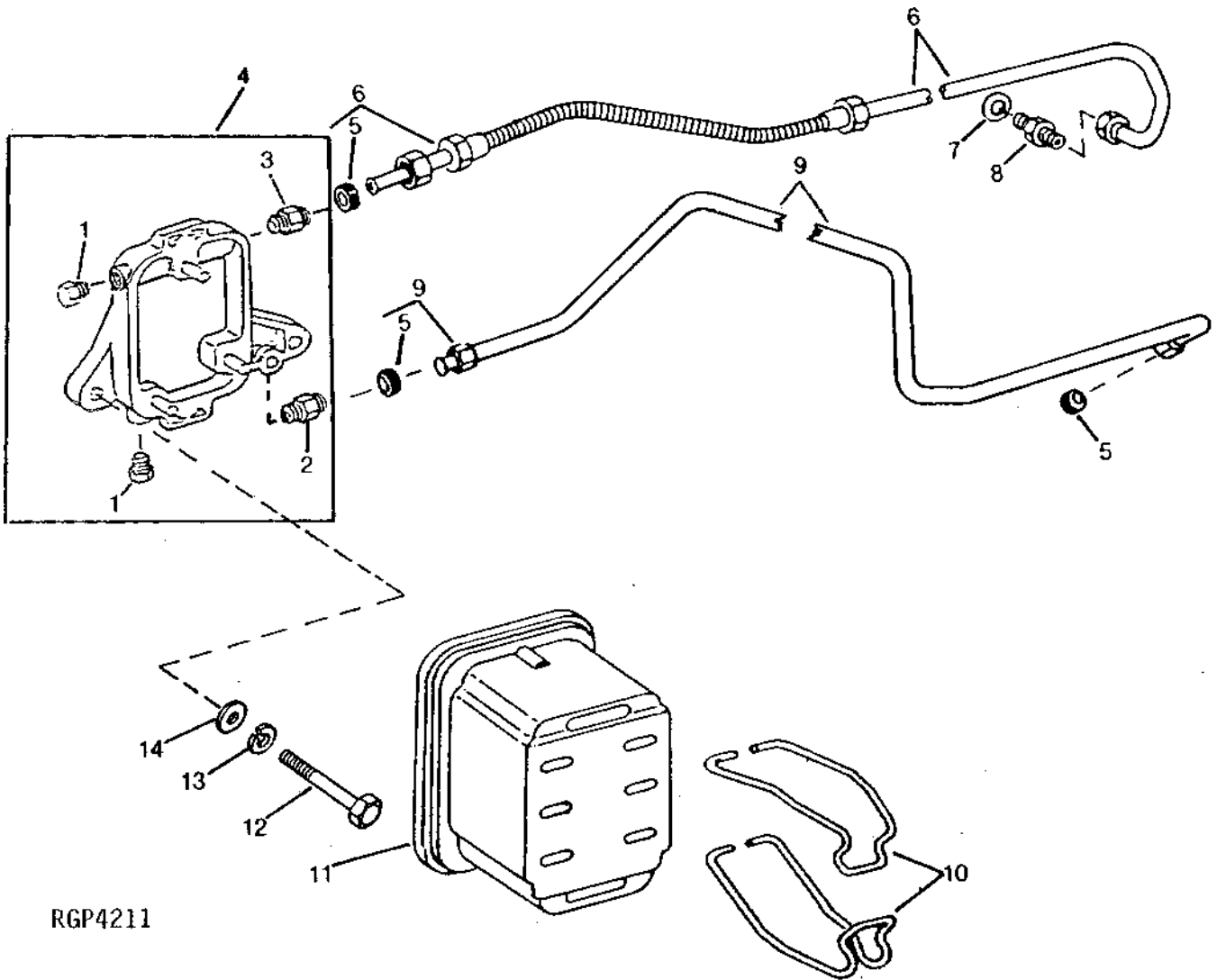
FUEL FILTER AND LINES (6076HH030, HH032, HH034, HH036) - CONTINUED
(ENGINE SERIAL NO. 500000-)

| KEY | PART NO. | PART NAME | QTY | ENGINE SERIAL NO. | REMARKS |
|-----|----------|-------------|-----|-------------------|--|
| 1 | R119223 | PLUG | 2 | | |
| 2 | RE54244 | CHECK VALVE | 1 | | |
| 3 | RE54245 | FITTING | 1 | | |
| 4 | RE47501 | BASE | 1 | | |
| 5 | R67092 | SEAL | 3 | | |
| 6 | RE47635 | FUEL LINE | 1 | -538049 | (SUB RE63090, APPL) |
| | RE63090 | FUEL LINE | 1 | 538050- | |
| 7 | R93008 | WASHER | 1 | | |
| 8 | R83489 | FITTING | 1 | | |
| 9 | RE47850 | FUEL LINE | 1 | | |
| 10 | R89927 | CLAMP | 2 | | |
| 11 | RE27091 | FUEL FILTER | 1 | | |
| 12 | 19H3104 | CAP SCREW | 2 | | 7/16" X 1-1/4" |
| 13 | 12H293 | LOCK WASHER | 2 | | 7/16", (NO LONGER REQUIRED WITH 19H3104) |
| 14 | 24H1325 | WASHER | 2 | | 15/32" X 59/64" X 0.065" |

2F3

6076 ENGINE (ENGINE SERIAL NUMBER 500000-)

FUEL FILTER AND LINES (6076HH031, HH035)
(ENGINE SERIAL NO. 500000-)
RGP4211 -UN-01JAN94



RGP4211

2F4

6076 ENGINE (ENGINE SERIAL NUMBER 500000-)

**FUEL FILTER AND LINES (6076HH031, HH035) - CONTINUED
(ENGINE SERIAL NO. 500000-)**

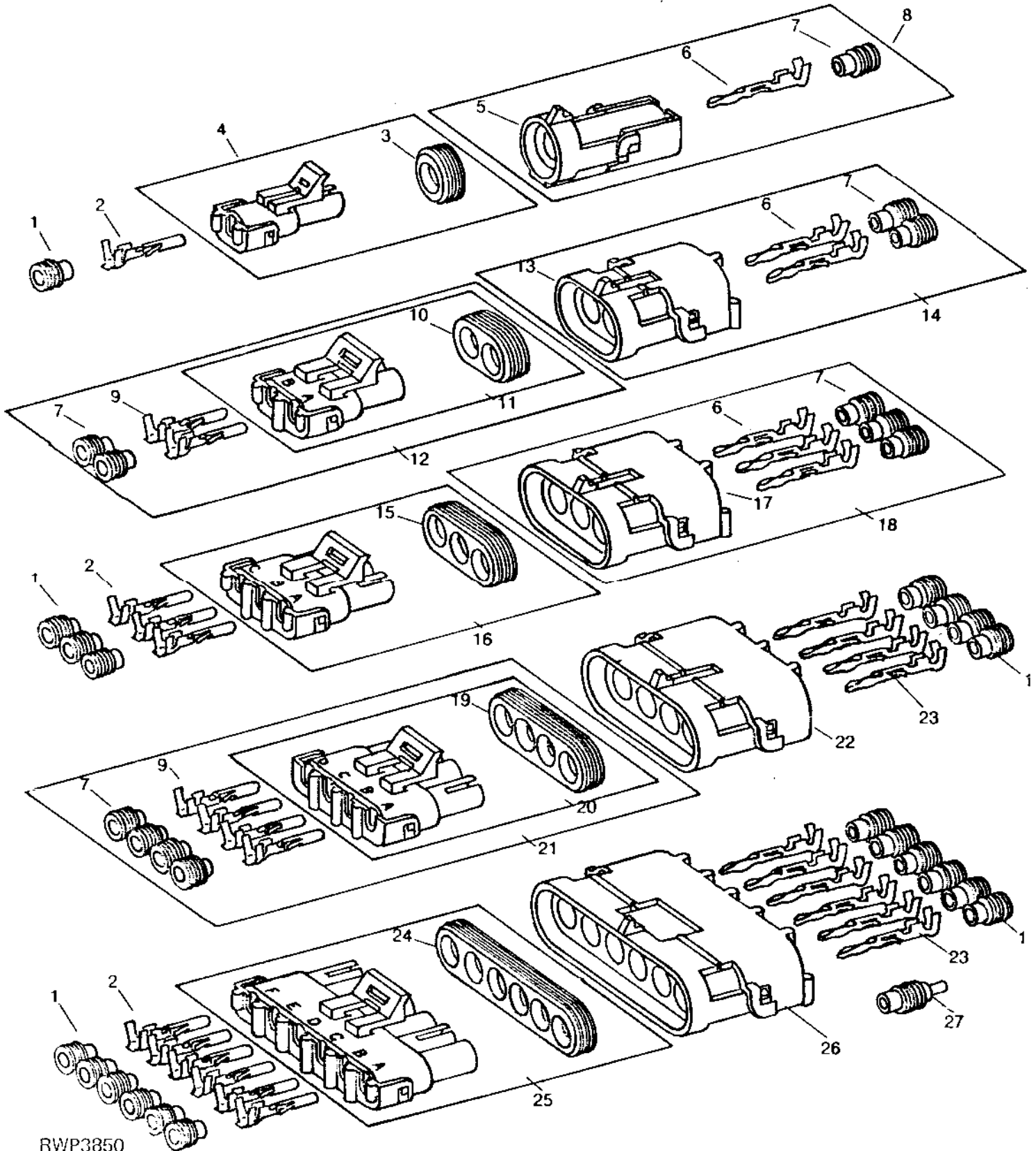
| KEY | PART NO. | PART NAME | QTY | ENGINE SERIAL NO. | REMARKS |
|-----|----------|-------------|-----|-------------------|--|
| 1 | R119223 | PLUG | 2 | | |
| 2 | RE54244 | CHECK VALVE | 1 | | |
| 3 | RE54245 | FITTING | 1 | | |
| 4 | RE47501 | BASE | 1 | | |
| 5 | R67092 | SEAL | 3 | | |
| 6 | RE47044 | FUEL LINE | 1 | -500149 | (SUB RE63090, APPL) |
| | RE47635 | FUEL LINE | 1 | 500150-538049 | (SUB RE63090, APPL) |
| | RE63090 | FUEL LINE | 1 | 538050- | |
| 7 | R93008 | WASHER | 1 | | |
| 8 | R83489 | FITTING | 1 | | |
| 9 | RE48051 | FUEL LINE | 1 | | |
| 10 | R89927 | CLAMP | 2 | | |
| 11 | RE27091 | FUEL FILTER | 1 | | |
| 12 | 19H3104 | CAP SCREW | 2 | | 7/16" X 1-1/4" |
| 13 | 12H293 | LOCK WASHER | 2 | | 7/16", (NO LONGER REQUIRED WITH 19H3104) |
| 14 | 24H1325 | WASHER | 2 | | 15/32" X 59/64" X 0.065" |

2F5

6076 ENGINE (ENGINE SERIAL NUMBER 50000-)

WEATHERPACK TERMINALS AND CONNECTORS

RWP3850 -UN-01JAN94



2F6

6076 ENGINE (ENGINE SERIAL NUMBER 500000-)

WEATHERPACK TERMINALS AND CONNECTORS - CONTINUED

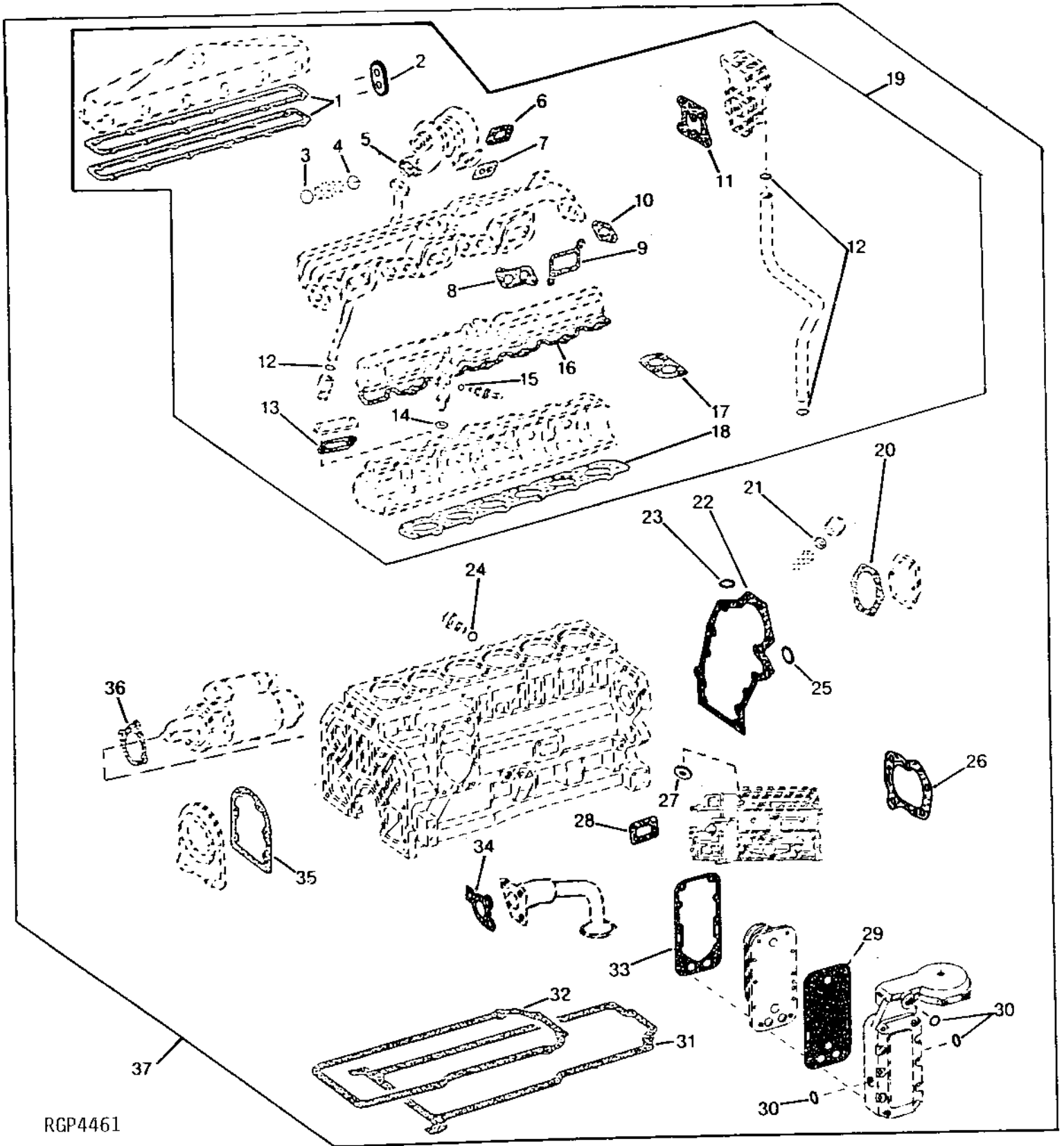
| KEY | PART NO. | PART NAME | QTY | TRACTOR SERIAL NO. | REMARKS |
|-----|----------|----------------------------|-----|--------------------|----------------------------------|
| 1 | R78063 | TERMINAL NIPPLE | 1 | | (D) (16 GA. WIRE) (GRAY) |
| | R78059 | ELECTRICAL PLUG | 1 | | (D) (18 OR 20 GA. WIRE) (GREEN) |
| | R78062 | TERMINAL NIPPLE | 1 | | (D) (14 GA. WIRE) (BLUE) |
| 2 | R78057 | SOCKET CONTACT | 1 | | (D) (18 OR 20 GA. WIRE) (NO. 19) |
| | R78060 | SOCKET CONTACT | 1 | | (D) (14 OR 16 GA. WIRE) (NO. 15) |
| 3 | R78047 | SEAL | 1 | | (C) |
| 4 | RE12362 | CONNECTOR | 1 | | (B) |
| 5 | R78052 | PIN CONTACT CONNECTOR BODY | 1 | | (B) |
| 6 | R78061 | PIN CONTACT | 1 | | (D) (14 OR 16 GA. WIRE) (NO. 15) |
| 7 | R78063 | TERMINAL NIPPLE | 1 | | (D) (16 GA. WIRE) (GRAY) |
| 8 | RE12334 | CONNECTOR | 1 | | |
| 9 | R78060 | SOCKET CONTACT | 1 | | (D) (14 OR 16 GA. WIRE) (NO. 15) |
| 10 | R78048 | TERMINAL NIPPLE | 1 | | (C) |
| 11 | RE12363 | CONNECTOR | 1 | | (B) |
| 12 | RE12331 | CONNECTOR | 1 | | |
| 13 | R78053 | PIN CONTACT CONNECTOR BODY | 1 | | (B) |
| 14 | RE12330 | CONNECTOR | 1 | | |
| 15 | R78049 | SEAL | 1 | | (C) |
| 16 | RE12364 | SOCKET CONT.CONNECTOR BODY | 1 | | (B) |
| 17 | R78054 | PIN CONTACT CONNECTOR BODY | 1 | | (B) |
| 18 | RE12332 | CONNECTOR | 1 | | |
| 19 | R78050 | SEAL | 1 | | (C) |
| 20 | RE12365 | CONNECTOR | 1 | | (A) |
| 21 | RE12333 | CONNECTOR | 1 | | |
| 22 | R78055 | PIN CONTACT CONNECTOR BODY | 1 | | (A) |
| 23 | R78061 | PIN CONTACT | 1 | | (D) (14 OR 16 GA. WIRE) (NO. 15) |
| | R78058 | PIN CONTACT | 1 | | (D) (18 OR 20 GA. WIRE) (NO. 19) |
| 24 | R78051 | SEAL | 1 | | (C) |
| 25 | RE12366 | CONNECTOR | 1 | | (A) |
| 26 | R78056 | PIN CONTACT CONNECTOR BODY | 1 | | (A) |
| 27 | R78064 | ELECTRICAL PLUG | 1 | | (D) |

- (A) PKG OF 2
- (B) PKG OF 3
- (C) PKG OF 5
- (D) PKG OF 40

2F7

6076 ENGINE (ENGINE SERIAL NUMBER 500000-)

ENGINE GASKET KITS
(ENGINE SERIAL NO. 500000-)
RGP4461 -UN-16MAR95



RGP4461

2F8

6076 ENGINE (ENGINE SERIAL NUMBER 500000-)

ENGINE GASKET KITS - CONTINUED
(ENGINE SERIAL NO. 500000-)

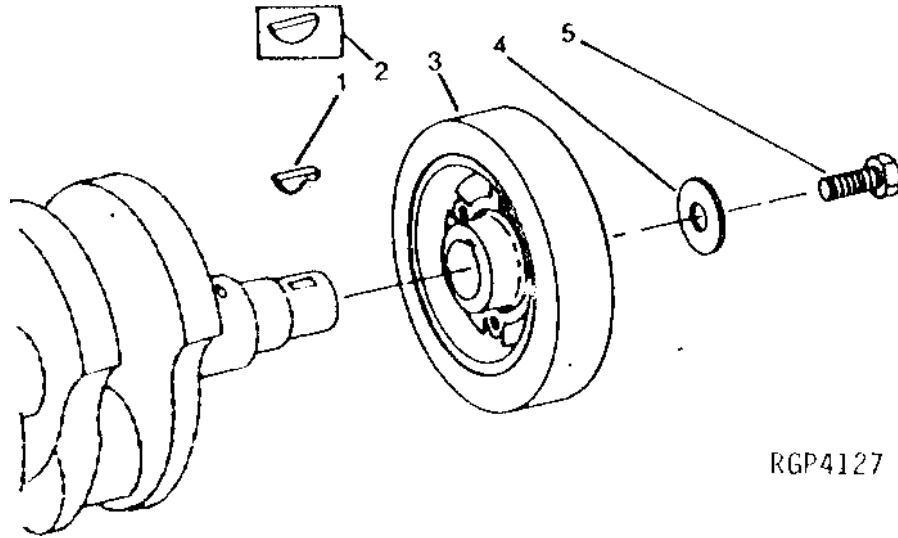
| KEY | PART NO. | PART NAME | QTY | ENGINE SERIAL NO. | REMARKS |
|-----|----------|-----------------------------|-----|-------------------|--|
| 1 | R88993 | GASKET | 2 | (A) | |
| 2 | R100911 | SEAL | 1 | (A) | |
| 3 | R50405 | O-RING | 1 | (A) | |
| 4 | R86743 | O-RING | 1 | | |
| 5 | R105346 | GASKET | 1 | | |
| 6 | R92097 | GASKET | 1 | | |
| 7 | R89879 | GASKET | 1 | | |
| 8 | R83020 | GASKET | 2 | | |
| 9 | R120646 | GASKET | 3 | | (SUB FOR R102838, APPL) |
| 10 | R83021 | GASKET | 2 | | |
| 11 | R86062 | GASKET | 1 | | |
| 12 | R72328 | O-RING | 3 | | |
| 13 | R88397 | GASKET | 2 | | |
| 14 | R84472 | WASHER | 6 | | |
| | R51603 | O-RING | 6 | | (ROBERT BOSCH) |
| 15 | R77551 | O-RING | 6 | | |
| 16 | R49866 | GASKET | 1 | | |
| 17 | R46479 | GASKET | 1 | | |
| 18 | RE47336 | ENGINE CYLINDER HEAD GASKET | 1 | | |
| 19 | RG22248 | GASKET KIT | 1 | | CYLINDER HEAD, (SUB FOR RE29859) (SUB RG27884) |
| | RG27884 | GASKET KIT | 1 | | |
| 20 | R99464 | GASKET | 1 | | |
| 21 | T20328 | GASKET | 1 | | |
| 22 | R104623 | GASKET | 1 | | |
| 23 | R79915 | O-RING | 1 | | |
| 24 | U13639 | O-RING | 1 | | |
| 25 | R101042 | O-RING | 1 | | |
| 26 | R100367 | GASKET | 1 | | |
| 27 | R53899 | WASHER | 1 | | (USE WITH R83490) |
| | R53901 | WASHER | 1 | | (USE WITH R83489) |
| 28 | R96616 | GASKET | 1 | | |
| 29 | R94619 | GASKET | 1 | -547515 | (SUB R128558) |
| | R128558 | GASKET | 1 | 547516- | (SUB FOR R94619) |
| 30 | U17409 | O-RING | 3 | | |
| 31 | R71918 | GASKET | 1 | | (A) (CAST IRON OIL PAN) |
| 32 | R49377 | GASKET | 1 | | (ALUMINUM OIL PAN) |
| 33 | R94618 | GASKET | 1 | -547515 | (SUB R128557) |
| | R128557 | GASKET | 1 | 547451- | (SUB FOR R94618) |
| 34 | R100569 | GASKET | 1 | | |
| 35 | R26058 | GASKET | 1 | | |
| 36 | R53108 | GASKET | 1 | | |
| 37 | RE64206 | GASKET KIT | 1 | | ENGINE REBUILD, (SUB FOR RE42151) |

(A) - USED WITH AFTERCOOLED ENGINES ONLY.

2F9

6076 ENGINE (ENGINE SERIAL NUMBER 50000-)

CRANKSHAFT DAMPER
(ENGINE SERIAL NO. 50000-)
 RGP4127 -UN-01JAN94



| KEY | PART NO. | PART NAME | QTY | ENGINE SERIAL NO. | REMARKS |
|-----|----------|--------------------|-----|-------------------|---|
| 1 | R116311 | KEY | 1 | 509680- | (USE WITH RE53199) |
| 2 | 26H85 | SHAFT KEY | 1 | -509679 | 1/4" X 1", (USE WITH RE41821) |
| 3 | RE24975 | TORSIONAL DAMPENER | 1 | | (B) |
| | RE24975 | TORSIONAL DAMPENER | 1 | -500035 | (A) |
| | RE48454 | TORSIONAL DAMPENER | 1 | 500036- | (A) |
| 4 | R26333 | WASHER | 1 | | 16.662 X 57.150 X 9.525 MM (21/32" X 2-1/4" X 3/8") |
| 5 | R79846 | CAP SCREW | 1 | | 15.875 X 50.800 MM (5/8" X 2") |

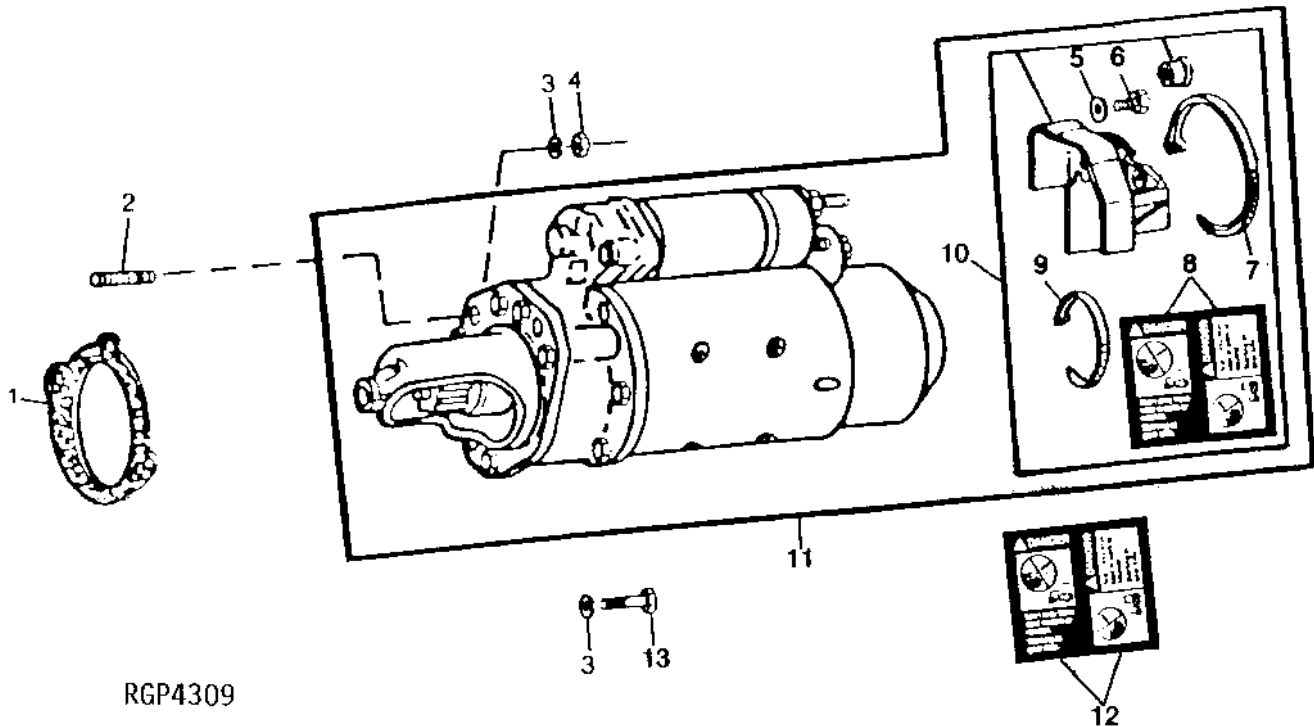
(A) HH030, HH032, HH034, HH036

(B) HH031, HH035

2F10

6076 ENGINE (ENGINE SERIAL NUMBER 500000-)

STARTING MOTOR (12V F4)
(DENSO)
(ENGINE SERIAL NO. 500000-)
RGP4309 -UN-14SEP95

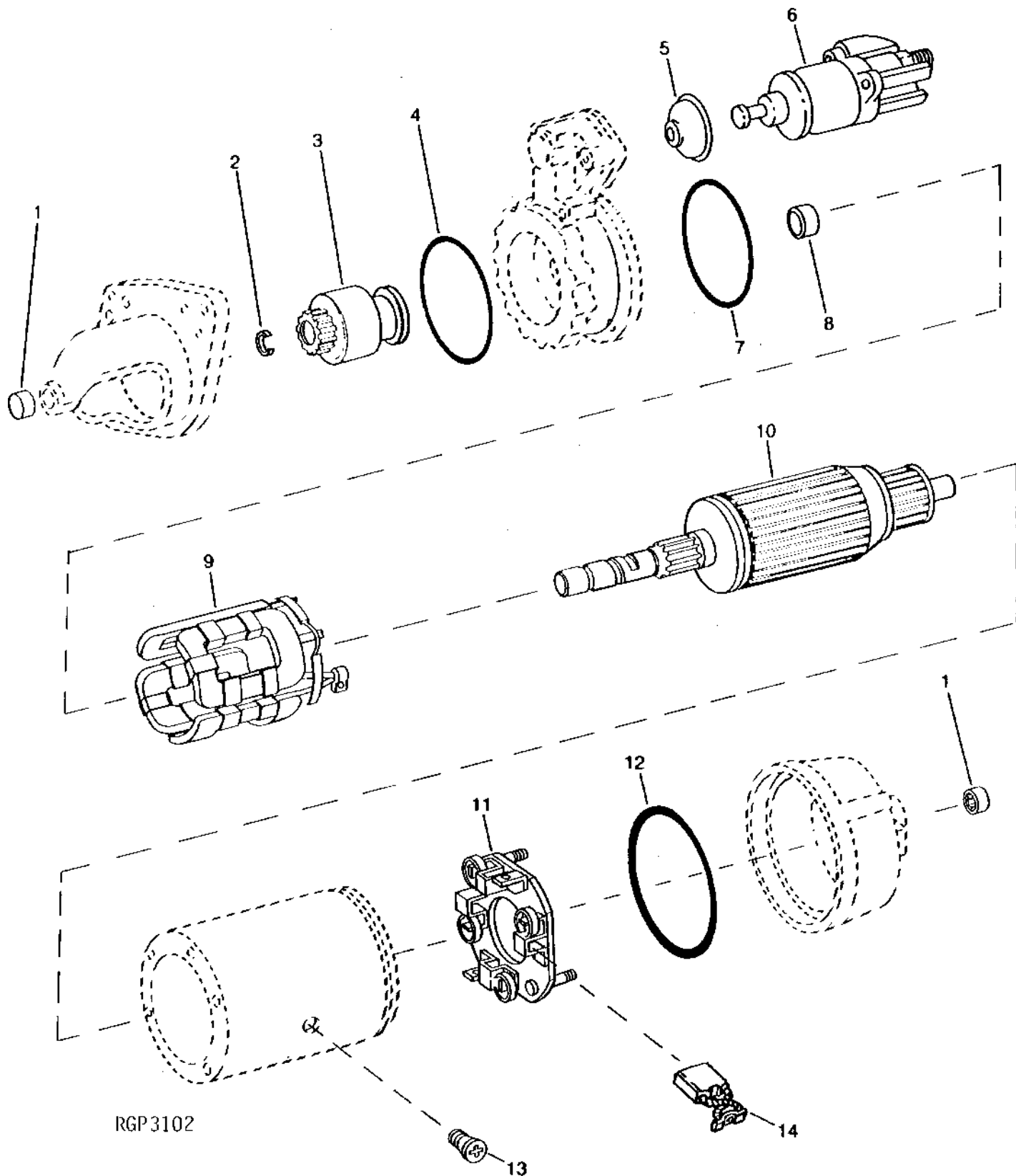


| KEY | PART NO. | PART NAME | QTY | ENGINE SERIAL NO. | REMARKS |
|-----|----------|---------------|-----|-------------------|---|
| 1 | R53108 | GASKET | 1 | -513109 | |
| 2 | R114130 | STUD | 1 | | (SUB FOR R55396, APPL.) |
| 3 | 12H304 | LOCK WASHER | 2 | -513026 | 3/8", (NO LONGER REQUIRED) |
| | 24M7096 | WASHER | 2 | 513027- | 10.500 X 18 X 1.600 MM |
| 4 | E55662 | FLANGE NUT | 1 | | |
| 5 | R104676 | SHIM | 1 | | |
| 6 | R104646 | SCREW | 1 | | |
| 7 | H113196 | TIE BAND | 1 | | |
| 8 | T146102 | LABEL | 1 | | (ENGLISH) (SUB FOR T134459) |
| 9 | R44302 | TIE BAND | 1 | | |
| 10 | RE41758 | COVER | 1 | | (USE WITH TY6731 OR TY6781) |
| | RE45329 | COVER | 1 | | (USE WITH RE43266 OR RE54416) |
| 11 | RE43423 | STARTER MOTOR | 1 | -513026 | (DENSO NO. 128000-5972) (MARKED RE43266) |
| | RE56053 | STARTER MOTOR | 1 | 513027- | (CONTAINS RE45329) (SUB RE56053) |
| | | | | | (DENSO NO. 128000-5973) (MARKED RE54416) |
| | | | | | (CONTAINS RE45329) (SUB RE65176) |
| | TY6731 | STARTER MOTOR | 1 | -513026 | (REMANUFACTURED) (DENSO) (CONTAINS RE41758) |
| | TY6781 | STARTER MOTOR | 1 | 513027- | (REMANUFACTURED) (DENSO) (CONTAINS RE45329) |
| | RE65176 | KIT | 1 | | (DENSO NO. 22800-4601) (MARKED RE59589) |
| 12 | T146517 | SAFETY SIGN | 1 | | (ENGLISH/FRENCH) (SUB FOR T134456) |
| | T146104 | SAFETY SIGN | 1 | | (FRENCH) (SUB FOR T134453) |
| | T146515 | SAFETY SIGN | 1 | | (GERMAN) (SUB FOR T134454) |
| | T146516 | SAFETY SIGN | 1 | | (ITALIAN) (SUB FOR T134455) |
| | T146106 | SAFETY SIGN | 1 | | (SPANISH) (SUB FOR T134452) |
| 13 | 19H3219 | CAP SCREW | 2 | | 3/8" X 1-3/8" |
| .. | RE43166 | CLAMP | 1 | | (INCLUDED WITH RE56053) |

2F11

6076 ENGINE (ENGINE SERIAL NUMBER 500000-)

STARTING MOTOR (12V F4)
(DENSO NO. 128000-5972 OR 128000-5973)
(ENGINE SERIAL NO. 500000-)
RGP3102 -UN-01JAN94



2F12

6076 ENGINE (ENGINE SERIAL NUMBER 500000-)

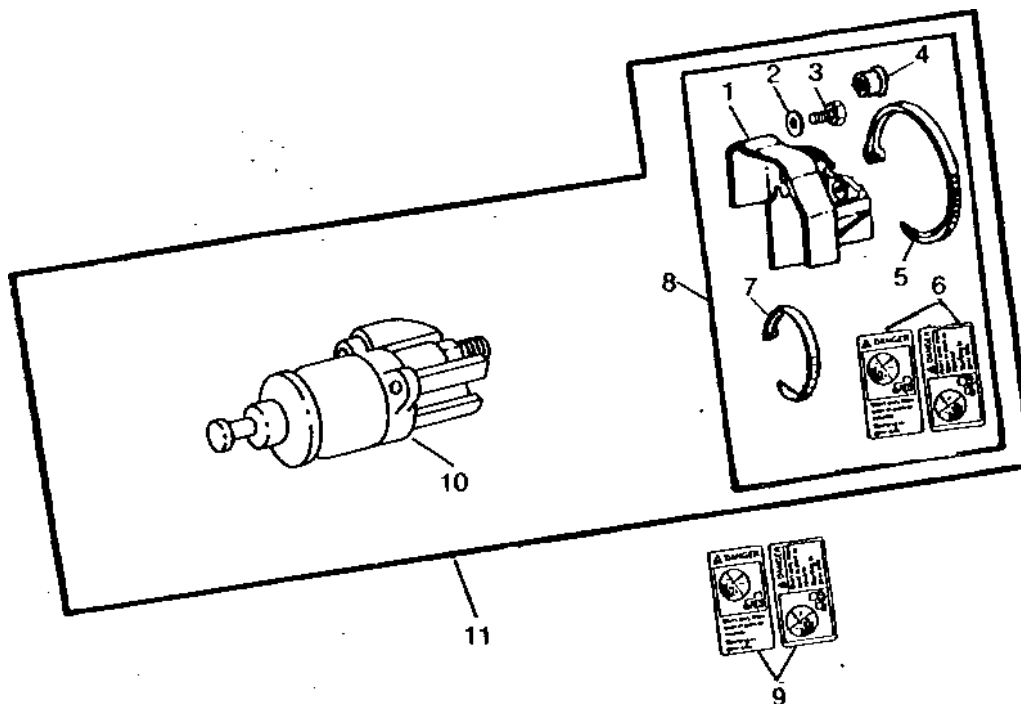
STARTING MOTOR (12V F4) - CONTINUED
(DENSO NO. 128000-5972 OR 128000-5973)
(ENGINE SERIAL NO. 500000-)

| KEY | PART NO. | PART NAME | QTY | ENGINE SERIAL NO. | REMARKS |
|-----|----------|---------------------|-----|-------------------|--|
| 1 | RE39251 | NEEDLE BEARING | 2 | | |
| 2 | R50902 | SNAP RING | 1 | | |
| 3 | RE39249 | CLUTCH | 1 | | |
| 4 | R50901 | WASHER | 1 | | |
| 5 | R100513 | COVER | 1 | | |
| 6 | RE39241 | SWITCH | 1 | | (USE WITH TY6731 OR TY6781) |
| | RE42777 | SWITCH | 1 | | (USE WITH RE43266 OR RE54416) |
| 7 | R100511 | O-RING | 1 | | |
| 8 | R100509 | BUSHING | 1 | | |
| 9 | RE39243 | FIELD WINDING COIL | 1 | | |
| 10 | RE39245 | ARMATURE | 1 | | |
| 11 | RE39250 | CARBON BRUSH HOLDER | 1 | | |
| 12 | R100512 | O-RING | 1 | | |
| 13 | R100508 | SCREW | 4 | | |
| 14 | RE39247 | BRUSH | 4 | | |
| .. | RE43423 | STARTER MOTOR | 1 | | (DENSO NO. 128000-5972) (MARKED RE43266) |
| .. | RE56053 | STARTER MOTOR | 1 | | (DENSO NO. 128000-5973) (MARKED RE54416) |

2F13

6076 ENGINE (ENGINE SERIAL NUMBER 50000-)

STARTER SOLENOID SWITCH
(12 VOLT) (JOHN DEERE)
(DENSO NO. 128000-5972)
 RGP3593 -UN-01JAN94



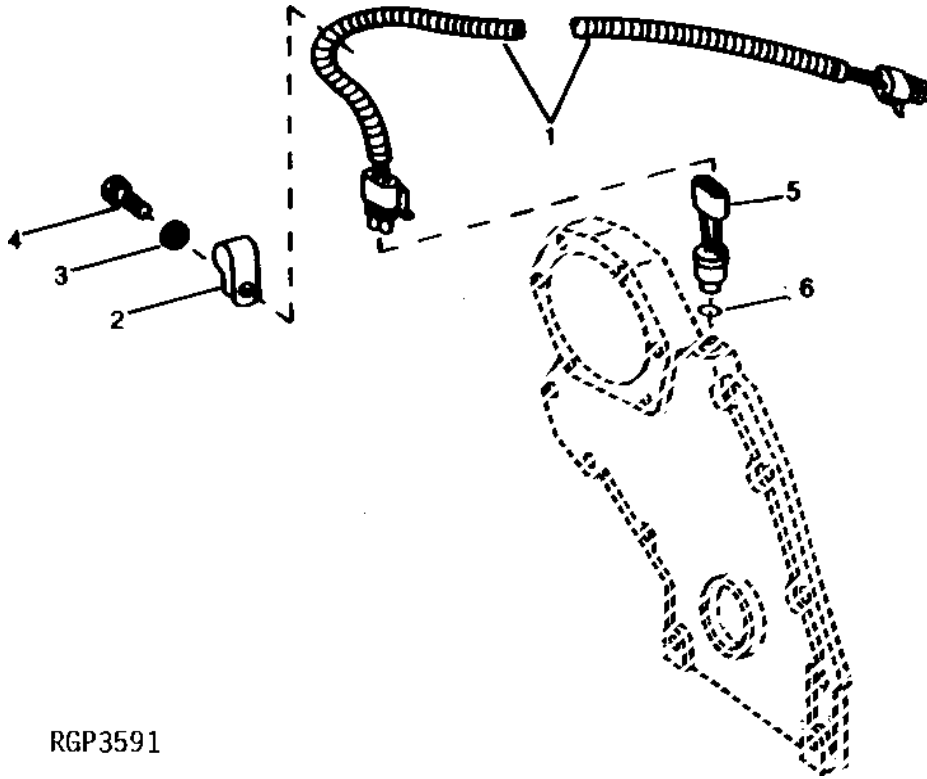
RGP3593

| KEY | PART NO. | PART NAME | QTY | ENGINE SERIAL NO. | REMARKS |
|-----|----------|-------------|-----|-------------------|------------------------------------|
| 1 | | COVER | 1 | | (SUB RE45329) |
| 2 | R104676 | SHIM | 1 | | |
| 3 | R104646 | SCREW | 1 | | |
| 4 | R104677 | BUSHING | 1 | | (SUB RE45329) |
| 5 | H113196 | TIE BAND | 1 | | |
| 6 | T146102 | LABEL | 1 | | (ENGLISH) (SUB FOR T134459) |
| 7 | R44302 | TIE BAND | 1 | | |
| 8 | RE45329 | COVER | 1 | | |
| 9 | T146106 | SAFETY SIGN | 1 | | (SPANISH) (SUB FOR T134452) |
| | T146104 | SAFETY SIGN | 1 | | (FRENCH) (SUB FOR T134453) |
| | T146515 | SAFETY SIGN | 1 | | (GERMAN) (SUB FOR T134454) |
| | T146516 | SAFETY SIGN | 1 | | (ITALIAN) (SUB FOR T134455) |
| | T146517 | SAFETY SIGN | 1 | | (ENGLISH-FRENCH) (SUB FOR T134456) |
| 10 | RE42777 | SWITCH | 1 | | |
| 11 | RE45330 | SWITCH | 1 | | |

2F14

6076 ENGINE (ENGINE SERIAL NUMBER 50000-)

MAGNETIC PICK-UP
(ENGINE SERIAL NO. 50000-XXXXXX)
 RGP3591 -UN-20OCT94



RGP3591

| KEY | PART NO. | PART NAME | QTY | ENGINE SERIAL NO. | REMARKS |
|-----|----------|----------------|-----|-------------------|--------------------------|
| 1 | RE49290 | WIRING HARNESS | 1 | | |
| 2 | T13814 | CLAMP | 1 | | |
| 3 | 24H1305 | WASHER | 2 | | 13/32" X 13/16" X 0.065" |
| 4 | 19H2038 | CAP SCREW | 2 | | 3/8" X 1/2" |
| 5 | RE43511 | SENSOR | 1 | | |
| 6 | R54856 | O-RING | 1 | | |

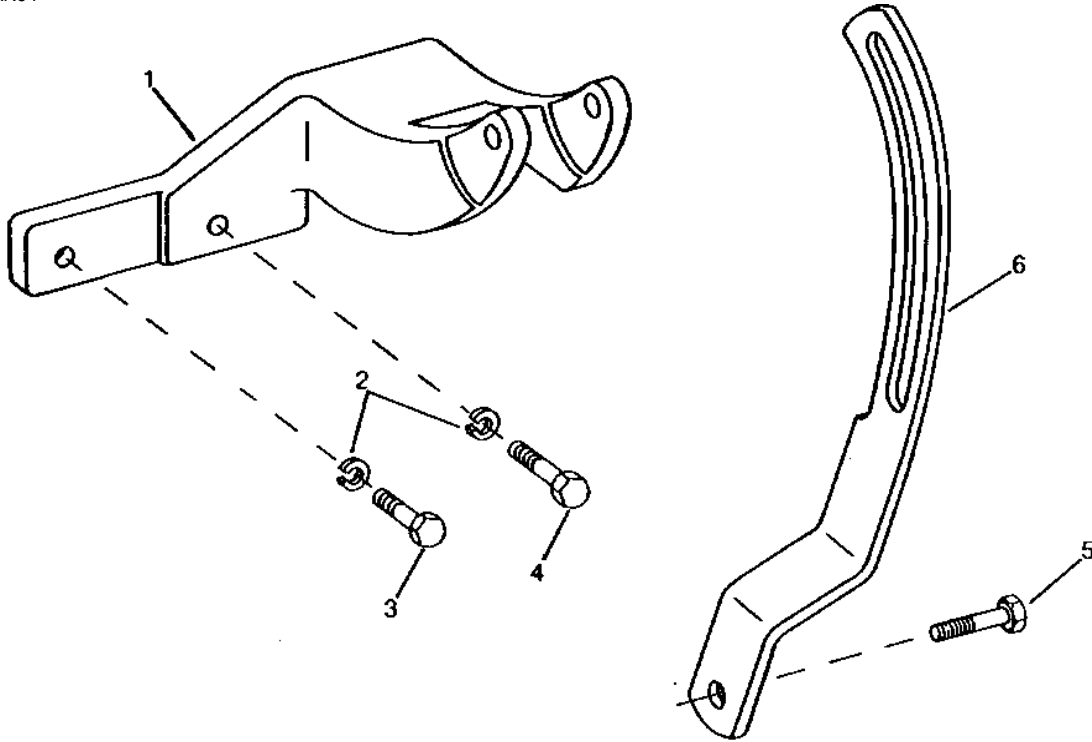
2F15

6076 ENGINE (ENGINE SERIAL NUMBER 500000-)

ALTERNATOR MOUNTING BRACKET AND ADJUSTING STRAP

(ENGINE SERIAL NO. 500000-)

RGP3620 -UN-01JAN94



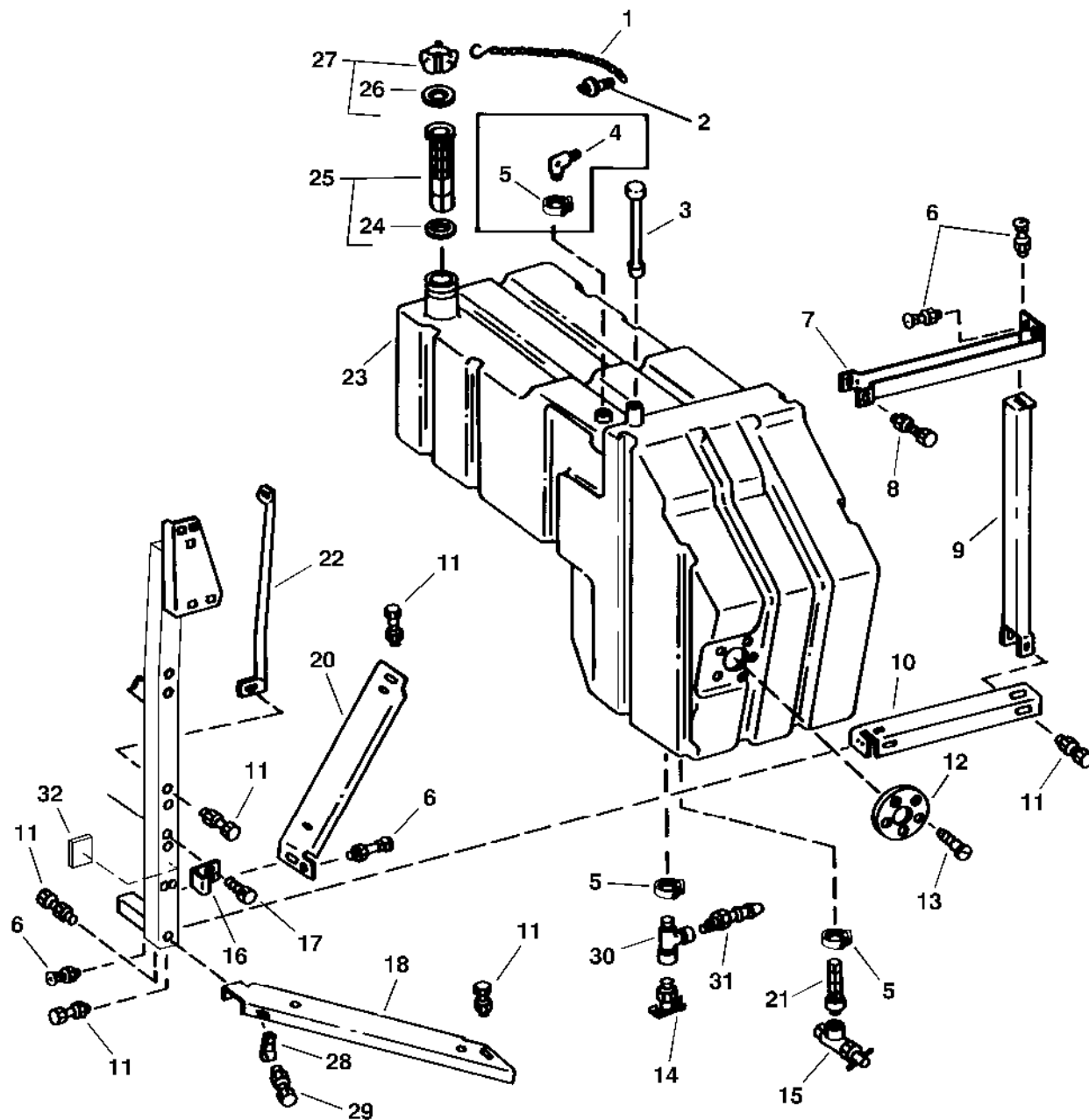
.RGP3620

| KEY | PART NO. | PART NAME | QTY | ENGINE SERIAL NO. | REMARKS |
|-----|----------|-------------|-----|-------------------|---|
| 1 | R108400 | SUPPORT | 1 | | |
| 2 | 12H293 | LOCK WASHER | 1 | | |
| 3 | 19H3104 | CAP SCREW | 1 | | |
| 4 | 19H2731 | CAP SCREW | 1 | | 7/16", (NO LONGER REQUIRED WITH 19H3104 OR 19H2731) |
| 5 | R105732 | CAP SCREW | 1 | | 7/16" X 1-1/4" |
| 6 | R112038 | STRAP | 1 | | 7/16" X 1-3/8" |

MEMORANDA

2F17

FUEL TANK, SUPPORTS, AND FITTINGS
HP7422 -UN-11FEB98



HP7422

2F18

FUEL AND AIR

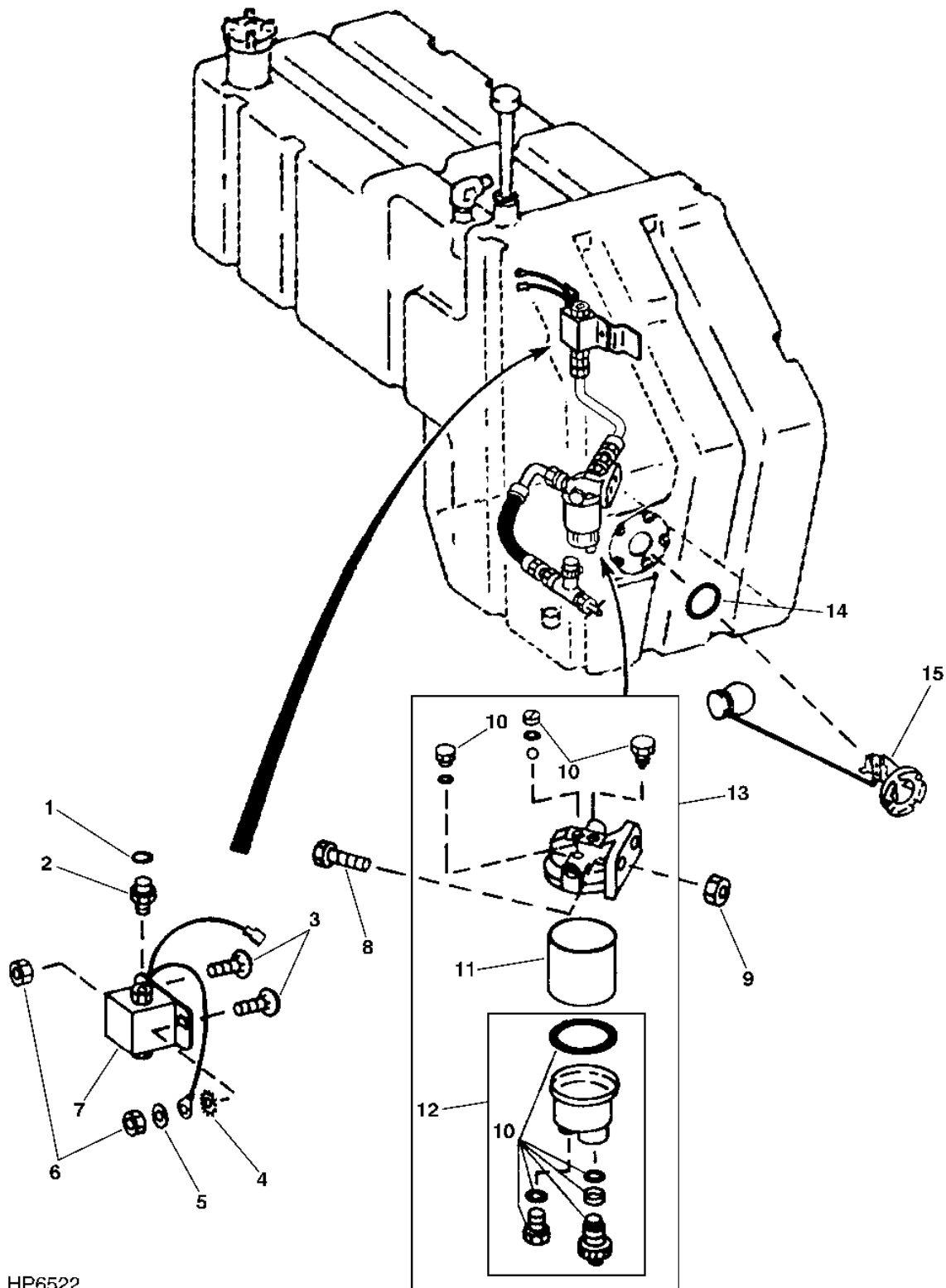
FUEL TANK, SUPPORTS, AND FITTINGS - CONTINUED

| KEY | PART NO. | PART NAME | QTY | SERIAL NO. | REMARKS |
|-----|----------|---------------|-----|---------------|--|
| 1 | AH132814 | LINK CHAIN | 1 | | |
| 2 | H99897 | RETAINER | 1 | | |
| 3 | AH116123 | BREATHER | 1 | | |
| 4 | T28077 | ELBOW FITTING | 1 | -662361 | 90 DEGREE |
| 5 | AR21837 | CLAMP | 3 | -635320 | (SUB TY22465) |
| | AT18904 | CLAMP | 3 | 635321-662361 | |
| | AT18904 | CLAMP | 2 | 662362- | |
| 6 | 19M7785 | SCREW | 5 | | M10 X 25 |
| | 14M7400 | LOCK NUT | 5 | | M10 |
| 7 | H169794 | CHANNEL | 1 | | (SUB FOR H134299) |
| 8 | 19M7812 | SCREW | 1 | | M10 X 100 |
| | 14M7400 | LOCK NUT | 1 | | M10 |
| | H77507 | WASHER | 1 | 641465- | |
| 9 | H134298 | CHANNEL | 1 | | |
| 10 | H169793 | CHANNEL | 1 | | (SUB FOR H134297) |
| 11 | 19M7785 | SCREW | 10 | | M10 X 25 |
| | 14M7400 | LOCK NUT | 10 | | M10 |
| 12 | H134396 | WASHER | 1 | | |
| 13 | 19H2925 | SCREW | 5 | | 1/4" X 1/2" |
| 14 | AT13740 | DRAIN VALVE | 1 | | (USE WITH T17568 TEE AND U42355 CONNECTOR) |
| 15 | AH129056 | VALVE | 1 | | |
| 16 | H129607 | STOP | 1 | -637683 | (SUB H143420) |
| | H143420 | STOP | 1 | | |
| 17 | 37M7058 | SCREW | 2 | | M8 X 20 |
| 18 | AH135191 | CHANNEL | 1 | | (INCLUDES (2) AH114109) |
| 19 | AH124945 | SUPPORT | 1 | -637683 | (SUB AH137254) |
| | AH137254 | SUPPORT | 1 | | |
| 20 | H134181 | CHANNEL | 1 | -635180 | (SUB AH136147 AND AH136146) REAR |
| | AH136147 | CHANNEL | 1 | | |
| 21 | AH106982 | SCREEN | 1 | | |
| 22 | H129839 | BRACE | 1 | | |
| 23 | AH128633 | FUEL TANK | 1 | -637475 | (SUB AH137817) |
| | AH137817 | FUEL TANK | 1 | 637476-637654 | (SUB AH139161) |
| | AH139161 | TANK | 1 | 637655-642112 | (SUB AH140493) |
| | AH140493 | TANK | 1 | 642113-655996 | (SUB AH144553) |
| | AH144553 | FUEL TANK | 1 | -662361 | (SUB AH146621, TY22418, T17568 AND U42355) |
| | AH146621 | FUEL TANK | 1 | | (USE WITH TY22418 HOSE, U42355 TEE AND T17568 CONNECTOR) |
| 24 | H140497 | WASHER | 1 | -646316 | 70 X 81 X 1.600 MM (2.756" X 3.189" X 0.063") |
| | H147415 | O-RING | 1 | | (SUB H147415) |
| 25 | AH162914 | STRAINER | 1 | | 69.215 X 5.334 MM (2.725" X 0.210") |
| 26 | H137323 | WASHER | 1 | -637475 | (SUB FOR AH135155) |
| | H141412 | WASHER | 1 | 637476-646311 | 61.900 X 69.900 X 3.200 MM (2.437" X 2.752" X 0.126") (SUB AH135893) |
| | H148166 | WASHER | 1 | | 29 X 87.500 X 3.180 MM (1.142" X 3.445" X 0.125") (SUB H148166) |
| 27 | AH130529 | FILLER CAP | 1 | -637475 | 29 X 85 X 3.175 MM (1.142" X 3.346" X 1/8") |
| | AH135893 | FILLER CAP | 1 | 637476-646316 | (SUB AH135893) |
| | AH141823 | FILLER CAP | 1 | | (SUB AH141823) (INCLUDES H141412) |
| 28 | T38377 | CLIP | 1 | -638003 | (INCLUDES H148166) |
| | T76719 | CLAMP | 1 | 638004-657801 | FOR RUBBER HOSE ON STRAW WALKER GEARBOX |
| | T28949 | CLAMP | 1 | 657802-660425 | FOR CLEAR HOSE ON STRAW WALKER GEARBOX |
| | T76719 | CLAMP | 1 | 660426- | |
| 29 | 19M7867 | SCREW | 1 | 638004-660425 | M8 X 25 |
| | 14M7298 | FLANGE NUT | 1 | 638004-660425 | M8 |
| | 19M7867 | SCREW | 1 | 660426- | M8 X 25 |
| | 14M7303 | FLANGE NUT | 1 | 660426- | M6 |
| 30 | T17568 | TEE FITTING | 1 | 662362- | 6.350 MM |
| 31 | U42355 | FITTING | 1 | 662362- | (FILL HOSE) FRENCH ONLY |
| 32 | H145706 | LABEL | 1 | | |

2F19

ELECTRIC FUEL PUMP, WATER SEPARATOR AND FUEL FLOAT

HP6522 -UN-15JUL96



HP6522

2F20

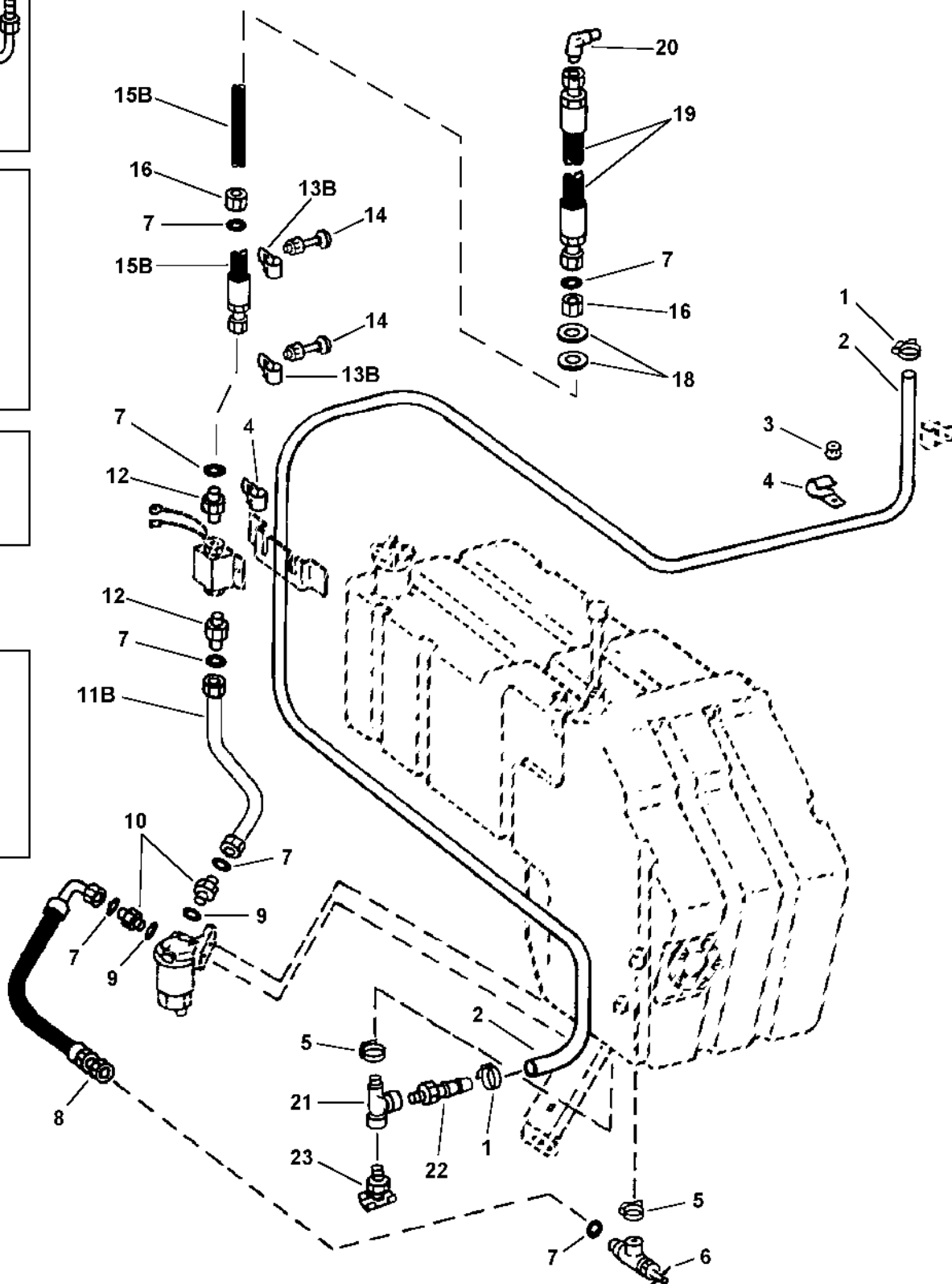
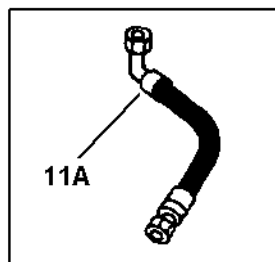
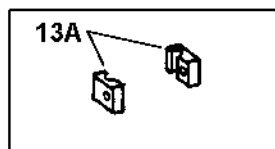
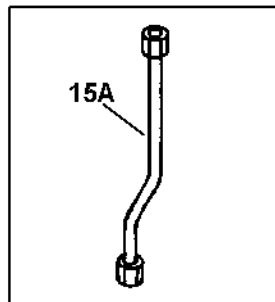
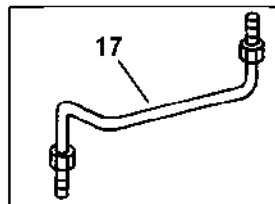
FUEL AND AIR

ELECTRIC FUEL PUMP, WATER SEPARATOR AND FUEL FLOAT - CONTINUED

| KEY | PART NO. | PART NAME | QTY | SERIAL NO. | REMARKS |
|-----|----------|----------------|-----|------------|--------------------------------|
| 1 | T77613 | O-RING | 2 | | 9.246 X 1.778 MM |
| 2 | H127578 | ADAPTER | 2 | | |
| 3 | 03M7221 | BOLT | 2 | | M6 X 16 |
| 4 | 12M7081 | LOCK WASHER | 1 | | 6.400 MM, EXTERNAL TOOTH |
| 5 | 24H1287 | WASHER | 1 | | 9/32" X 5/8" X 0.065" |
| 6 | 14M7303 | FLANGE NUT | 2 | | M6 |
| 7 | AH130127 | PUMP | 1 | | |
| 8 | 19M7786 | SCREW | 2 | | M10 X 30 |
| 9 | 14M7296 | FLANGE NUT | 2 | | |
| 10 | AT81477 | KIT | 1 | | |
| 11 | AT81478 | FILTER ELEMENT | 1 | | |
| 12 | AT81476 | KIT | 1 | | |
| 13 | AT81268 | SEPARATOR | 1 | | |
| 14 | F1649R | O-RING | 1 | -650300 | 59.919 X 3.531 MM |
| | H149454 | PACKING | 1 | 650301- | |
| 15 | AH143036 | SENSOR | 1 | | (SUB FOR AH124833 OR AH136233) |

2F21

TANK FUEL LINES AND FITTINGS
HP6781 -UN-20FEB98



HP6781

TANK FUEL LINES AND FITTINGS - CONTINUED

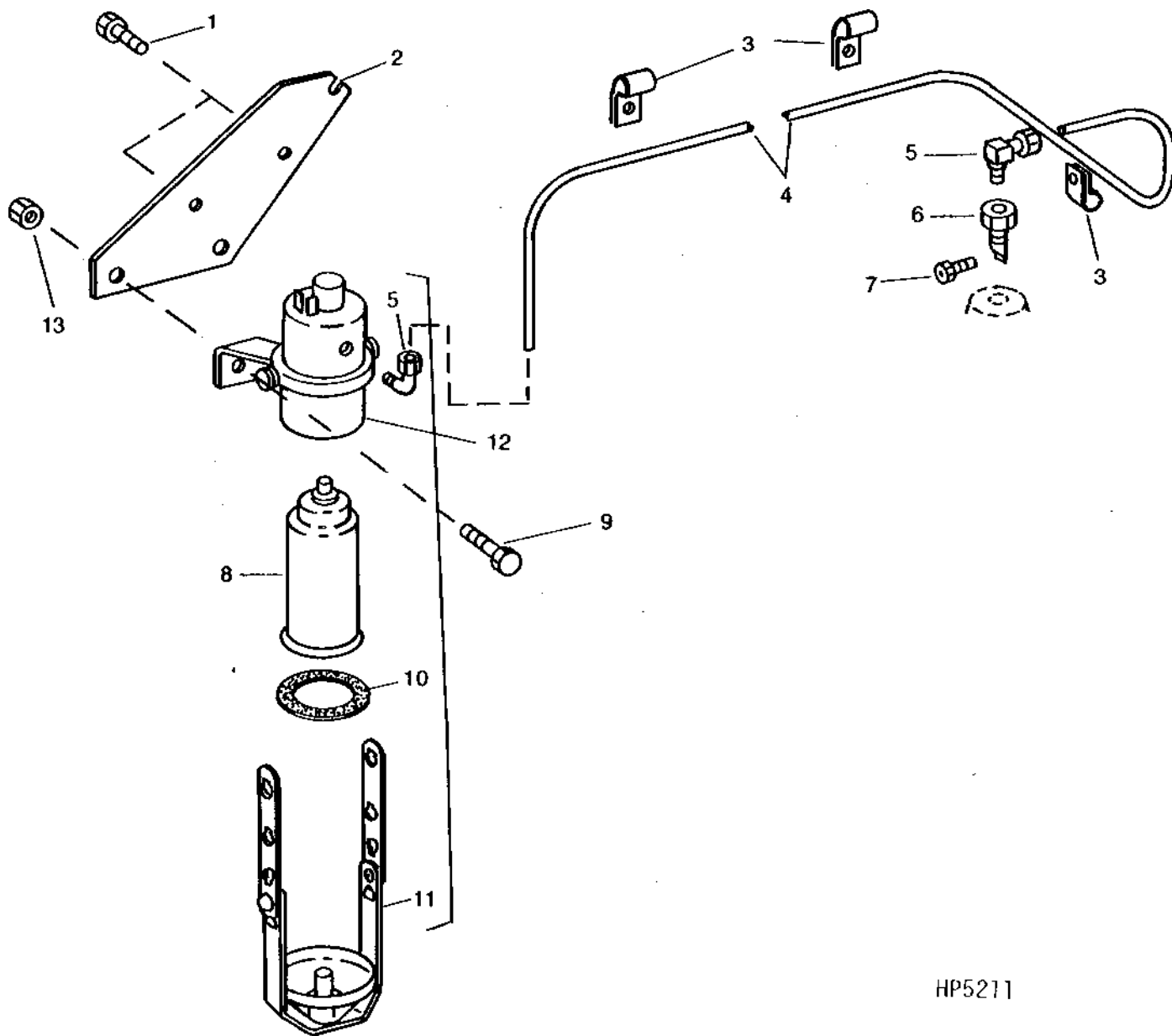
| KEY | PART NO. | PART NAME | QTY | SERIAL NO. | REMARKS |
|-----|----------|----------------|-----|---------------|--|
| 1 | AR48236 | CLAMP | 2 | -662284 | (SUB TY22462) |
| | TY22462 | CLAMP | 2 | | |
| 2 | H119904 | LINE | 1 | -661971 | (SUB TY22418 CUT TO 79 IN.) RETURN |
| | TY22418 | BULK HOSE | 1 | | (CUT TO 3200 MM (126 IN.) RETURN |
| 3 | 14M7298 | FLANGE NUT | 1 | | M8 |
| 4 | AH89557 | CLIP | 2 | | |
| 5 | AR21837 | CLAMP | 1 | -635320 | (SUB TY22465) |
| | AT18904 | CLAMP | 1 | 635321-662361 | |
| | AT18904 | CLAMP | 2 | 662362- | |
| 6 | AH129056 | VALVE | 1 | | |
| 7 | T77613 | O-RING | 7 | | 9.246 X 1.778 MM (0.364" X 0.070") |
| 8 | AH129058 | HYDRAULIC HOSE | 1 | | 11/16" X 420 MM (16-1/2") X 11/16", INLET |
| 9 | R26448 | O-RING | 2 | | 11.887 X 1.981 MM (0.468" X 5/64") |
| 10 | 38H1160 | ADAPTER | 2 | | |
| 11A | AH129407 | HYDRAULIC HOSE | 1 | -635819 | 11/16" X 200 MM (7-3/4") X 11/16", SUCTION |
| 11B | AH136146 | LINE | 1 | 635820- | |
| 12 | H127578 | ADAPTER | 2 | | |
| 13A | H127589 | CLAMP | 2 | | |
| 13B | AH90990 | CLIP | 2 | | |
| 14 | 03M7188 | BOLT | 1 | | M8 X 40 |
| | 14M7298 | FLANGE NUT | 1 | | M8 |
| 15A | AH134842 | OIL LINE | 1 | | R.H. SIDE |
| 15B | AH146788 | HYDRAULIC HOSE | 1 | | |
| 16 | T81029 | NUT | 2 | | 17.475 MM |
| 17 | AH129410 | OIL LINE | 1 | | UPPER |
| 18 | 24M7114 | WASHER | 2 | | 19 X 30 X 4 MM |
| 19 | AH131541 | HYDRAULIC HOSE | 1 | | 9/16" X 435 MM (17-1/4") X 11/16", ENGINE |
| 20 | T28860 | ELBOW FITTING | 1 | | |
| 21 | T17568 | TEE FITTING | 1 | 662362- | 6.350 MM (1/4") |
| 22 | U42355 | FITTING | 1 | 662362- | |
| 23 | AT13740 | DRAIN VALVE | 1 | | |

2F23

COLD WEATHER STARTING AID

(-657739)

HP5211 -UN-01JAN94



HP5211

2F24

FUEL AND AIR

COLD WEATHER STARTING AID - CONTINUED

(-657739)

| KEY | PART NO. | PART NAME | QTY | SERIAL NO. | REMARKS |
|-----|----------|----------------|-----|------------|--------------------------|
| 1 | 19M7774 | SCREW | AR | | M6 X 12 |
| 2 | H134300 | SUPPORT | 1 | -640819 | (SUB H170303) |
| | H170303 | COVER | 1 | | |
| 3 | T32231 | CLAMP | 4 | | |
| 4 | | LINE | 1 | | (CUT FROM H86108) 57 IN. |
| 5 | RE21790 | ELBOW FITTING | 1 | | |
| 6 | R47160 | NOZZLE HOLDER | 1 | | |
| 7 | R28583 | NOZZLE | 1 | | |
| 8 | RE33636 | STARTING FLUID | 1 | | |
| 9 | 19M7865 | SCREW | 2 | | M8 X 16 |
| 10 | T46726 | GASKET | 1 | | |
| 11 | AT57288 | BAIL | 1 | | |
| 12 | AT39623 | SOLENOID | 1 | | |
| 13 | 14M7298 | FLANGE NUT | 2 | | M8 |

COLD WEATHER STARTING AID - CONTINUED
(657740-)

| KEY | PART NO. | PART NAME | QTY | SERIAL NO. | REMARKS |
|-----|----------|-----------------------|-----|------------|-------------------------------------|
| 1 | 19M7774 | SCREW | AR | | |
| 2 | H134300 | SUPPORT | 1 | | |
| | H170303 | COVER | 1 | | M6 X 12 (SUB H170303) |
| 3 | T32231 | CLAMP | 4 | | |
| 4 | | LINE | 1 | | (CUT FROM H86108) 57 IN. |
| 5 | RE21790 | ELBOW FITTING | 2 | | |
| 6 | R47160 | NOZZLE HOLDER | 1 | | |
| 7 | R28583 | NOZZLE | 1 | | |
| 8 | RE33636 | STARTING FLUID | 1 | | |
| 9 | T13119 | O-RING | 1 | | 18.720 X 2.616 MM (0.737" X 0.103") |
| | T15712 | O-RING | 1 | | 12.421 X 1.778 MM (0.489" X 0.070") |
| 10 | R73498 | CONTAINER | 1 | | |
| 11 | RE48310 | STARTING AID SOLENOID | 1 | | |
| | RE48321 | ADAPTER | 1 | | |
| 12 | 14M7298 | FLANGE NUT | 2 | | M8 |

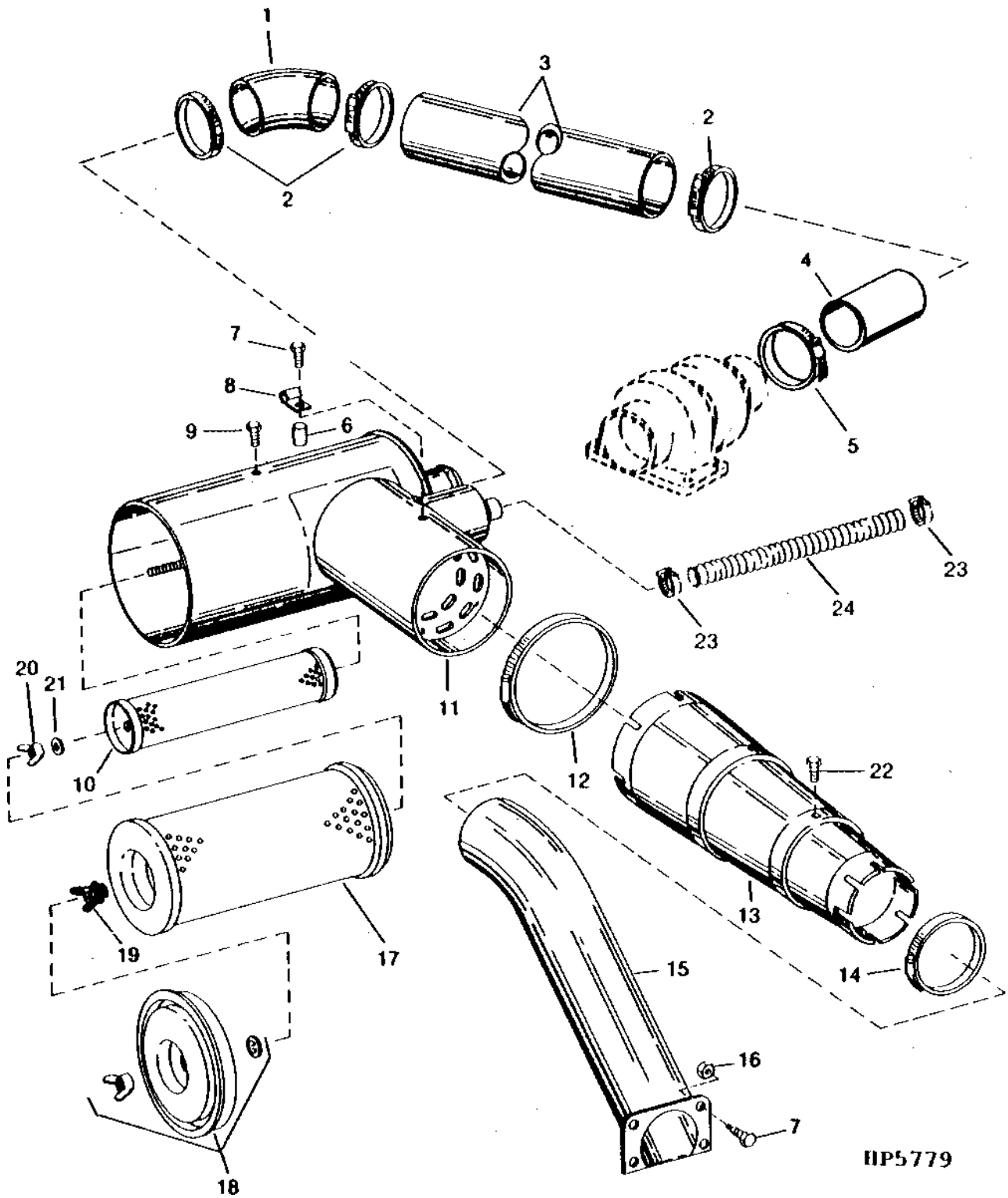
2G3

FUEL AND AIR

AIR CLEANER AND INTAKE TUBES

(-645300)

HP5779 -UN-01JAN94



HP5779

AIR CLEANER AND INTAKE TUBES - CONTINUED
(-645300)

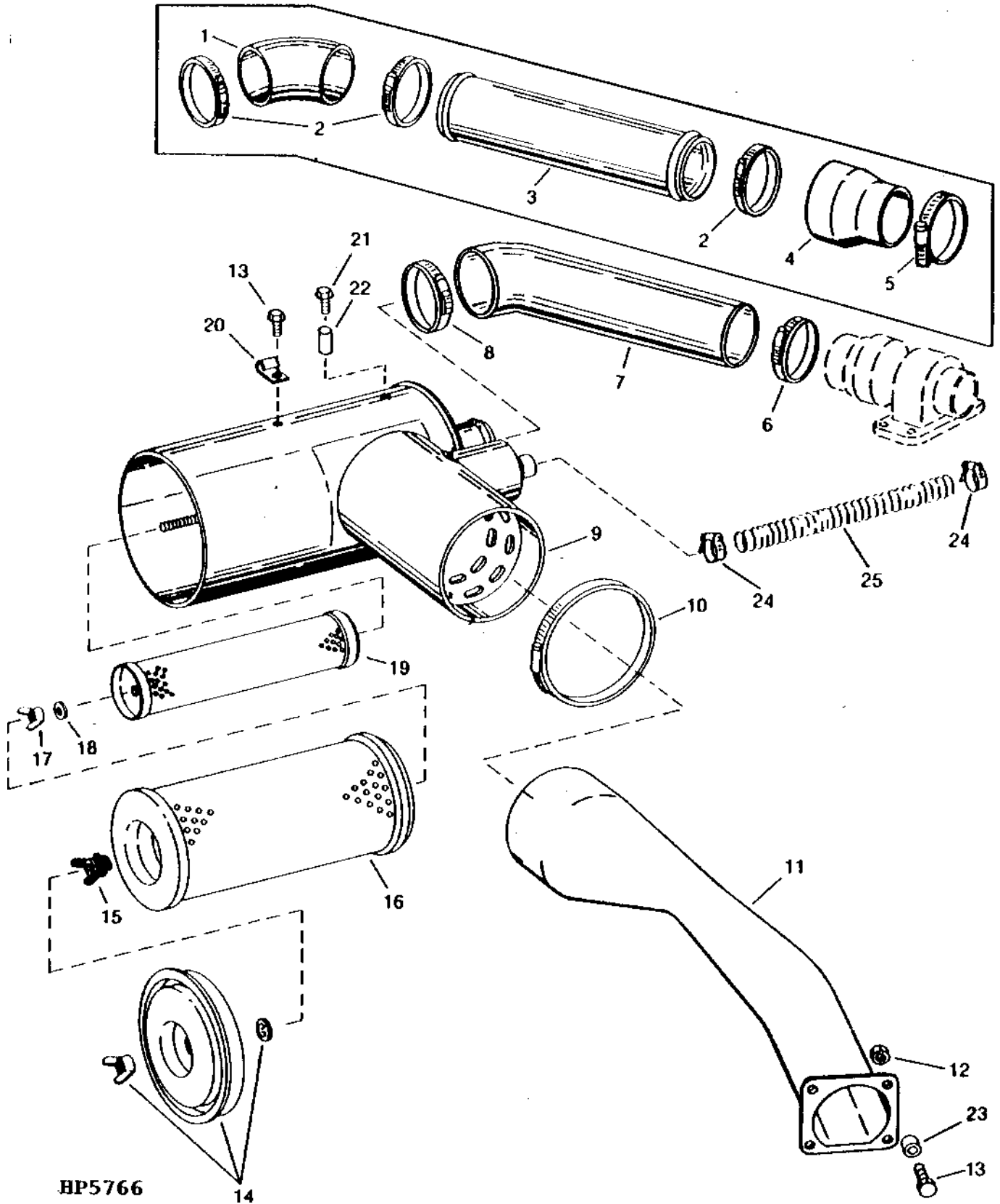
| KEY | PART NO. | PART NAME | QTY | SERIAL NO. | REMARKS |
|-----|----------|----------------|-----|------------|---|
| 1 | H136564 | HOSE | 1 | | |
| 2 | AH134578 | CLAMP | 3 | | |
| 3 | H136568 | TUBE | 1 | | |
| 4 | H136566 | HOSE | 1 | | |
| 5 | AH134578 | CLAMP | 1 | | |
| 6 | 28H1633 | BUSHING | 1 | | |
| 7 | 19M8318 | SCREW | 5 | M8 X 45 | |
| 8 | H136577 | CLAMP | 1 | | |
| 9 | 19M7774 | SCREW | 1 | M6 X 12 | |
| 10 | AR70107 | FILTER ELEMENT | 1 | | (USE WITH AR70106) SAFETY (SECONDARY) ELEMENT |
| 11 | AH130100 | AIR CLEANER | 1 | | |
| 12 | AH130230 | HOSE CLAMP | 1 | | |
| 13 | H135118 | AIR DUCT | 1 | | |
| 14 | AC15595 | CLAMP | 1 | | |
| 15 | AH130512 | TUBE | 1 | | |
| 16 | 14M7298 | FLANGE NUT | 1 | M8 | |
| 17 | AR70106 | FILTER ELEMENT | 1 | | PRIMARY ELEMENT |
| 18 | AH132803 | COVER | 1 | | |
| 19 | AR73234 | WING NUT | 1 | | |
| 20 | E17421 | LOCK NUT | 1 | 15.875 MM | |
| 21 | R39825 | SEAL | 1 | | |
| 22 | 19M7774 | SCREW | 1 | M6 X 12 | |
| 23 | AR65293 | CLAMP | 2 | | |
| 24 | H134117 | HOSE | 1 | | |

2G5

FUEL AND AIR

AIR CLEANER AND INTAKE TUBES

(645301-)
HP5766 -UN-01JAN94



HP5766

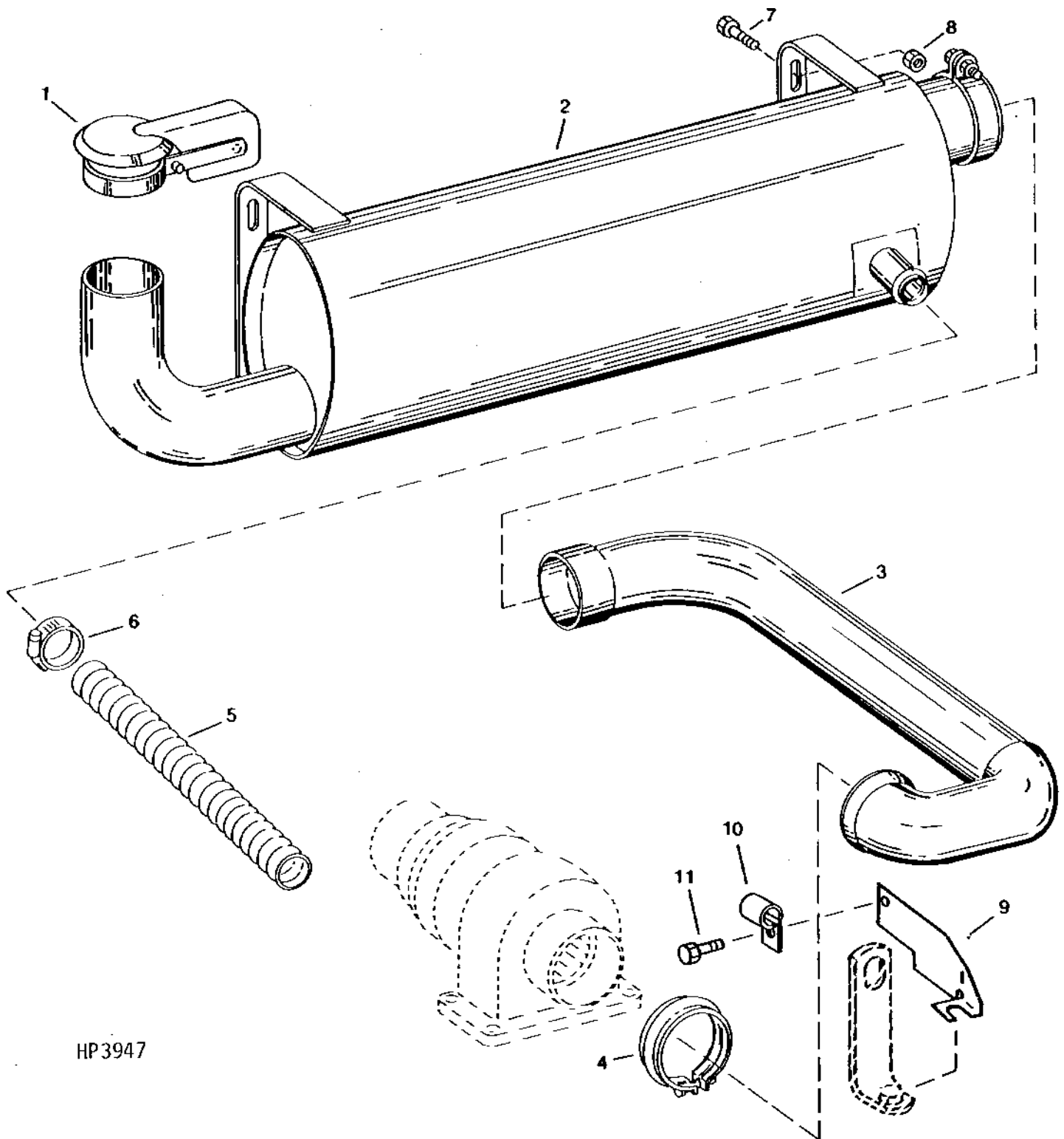
2G6

FUEL AND AIR

AIR CLEANER AND INTAKE TUBES - CONTINUED
(645301-)

| KEY | PART NO. | PART NAME | QTY | SERIAL NO. | REMARKS |
|-----|----------|----------------|-----|---------------|--|
| 1 | H136565 | HOSE | 1 | -650300 | (SUB H147865) |
| 2 | AT53439 | HOSE CLAMP | 3 | -650300 | |
| 3 | H136569 | TUBE | 1 | -650300 | (SUB H147865) |
| 4 | H136567 | HOSE | 1 | -650300 | |
| 5 | RE36259 | CLAMP | 1 | -650300 | |
| 6 | AT112176 | HOSE CLAMP | 1 | 650301- | |
| 7 | H147865 | HYDRAULIC HOSE | 1 | 650301-666172 | |
| | AH148990 | HOSE | 1 | 666173- | |
| 8 | AH142168 | CLAMP | 1 | 650301-651285 | (SUB AT104113) |
| | AT104113 | HOSE CLAMP | 1 | -666172 | |
| | AT131716 | HOSE CLAMP | 1 | | |
| 9 | AH130100 | AIR CLEANER | 1 | -666172 | |
| | AH148288 | AIR CLEANER | 1 | 666173- | |
| 10 | AH130230 | HOSE CLAMP | 1 | | |
| 11 | AH141580 | AIR DUCT | 1 | 650301- | (SUB FOR AH139253) |
| 12 | 14M7298 | FLANGE NUT | 4 | | M8 |
| 13 | 19M8318 | SCREW | 4 | | M8 X 45 |
| 14 | AH132803 | COVER | 1 | | |
| 15 | AR73234 | WING NUT | 1 | | |
| 16 | AR70106 | FILTER ELEMENT | 1 | -666172 | PRIMARY ELEMENT |
| | AR95758 | FILTER ELEMENT | 1 | 666173- | PRIMARY ELEMENT |
| 17 | AH20849 | WING NUT | 1 | | |
| 18 | R39825 | SEAL | 1 | | |
| 19 | AR70107 | FILTER ELEMENT | 1 | -666172 | (USE WITH AR70106) SAFETY (SECONDARY) ELEMENT |
| | AR95759 | FILTER ELEMENT | 1 | 666173- | (USE WITH AR95758) SAFETY (SECONDARY) ELEMENT |
| 20 | H136577 | CLAMP | 1 | -666172 | |
| | H134690 | CLAMP | 1 | | |
| 21 | 19M8319 | SCREW | 1 | | M8 X 50 |
| 22 | 28H1633 | BUSHING | 1 | | 9.246 X 13.716 X 39.675 MM (0.364" X 0.540" X 1-9/16") |
| 23 | H148776 | SPACER | 4 | 650301- | |
| 24 | AR65293 | CLAMP | 2 | | |
| 25 | H134117 | HOSE | 1 | | |

MUFFLER AND EXHAUST PIPE
HP3947 -UN-01JAN94



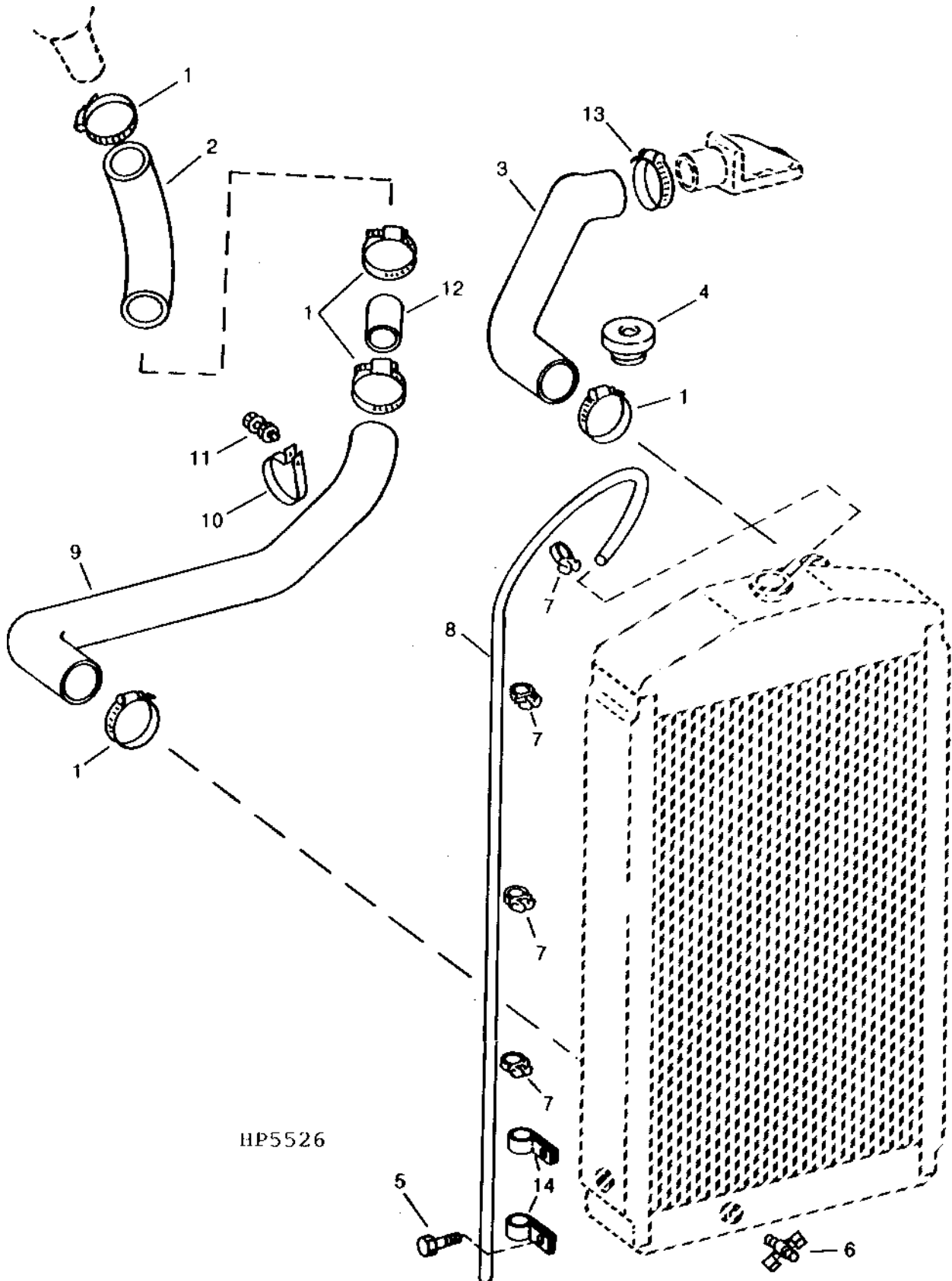
HP3947

MUFFLER AND EXHAUST PIPE - CONTINUED

| KEY | PART NO. | PART NAME | QTY | SERIAL NO. | REMARKS |
|-----|----------|--------------|-----|---------------|---|
| 1 | AR86603 | CAP | 1 | | |
| | AT74407 | EXHAUST CAP | 1 | | (USE WITH AH161463) |
| 2 | AH136385 | MUFFLER | 1 | -666172 | (SUB FOR AH130097) USED WITH 253 HP ENGINE |
| | AH136386 | MUFFLER | 1 | | (SUB FOR AH130098) GRAIN - USED WITH 190 HP |
| | AH161463 | MUFFLER | 1 | | (SUB AH161463) (ALSO ORDER AT74407) |
| | AH161463 | MUFFLER | 1 | | |
| 3 | AH128977 | EXHAUST PIPE | 1 | | |
| 4 | AT103553 | CLAMP | 1 | -646941 | (SUB RE40048) |
| | RE40048 | CLAMP | 1 | | |
| 5 | H134117 | HOSE | 1 | | |
| 6 | AR21839 | CLAMP | 2 | -662293 | (SUB TY22467) |
| | TY22467 | CLAMP | 2 | | |
| 7 | 19M7865 | SCREW | 4 | -661529 | M8 X 16 |
| | 19M7868 | SCREW | 4 | 661530- | M8 X 30 |
| 8 | 14M7298 | FLANGE NUT | 4 | | M8 |
| 9 | H140916 | SHIELD | 1 | -636281 | (SUB H144260) |
| | H142104 | SHIELD | 1 | 636282-637178 | (SUB H144260) |
| | H144260 | SHIELD | 1 | | |
| 10 | AH89486 | CLIP | 1 | -662433 | (SUB AH96317) |
| | AH96317 | CLIP | 1 | | |
| 11 | 37M7083 | SCREW | 1 | | M8 X 12 |

2G9

RADIATOR AND HOSES
HP5526 -UN-01JAN94



HP5526

2G10

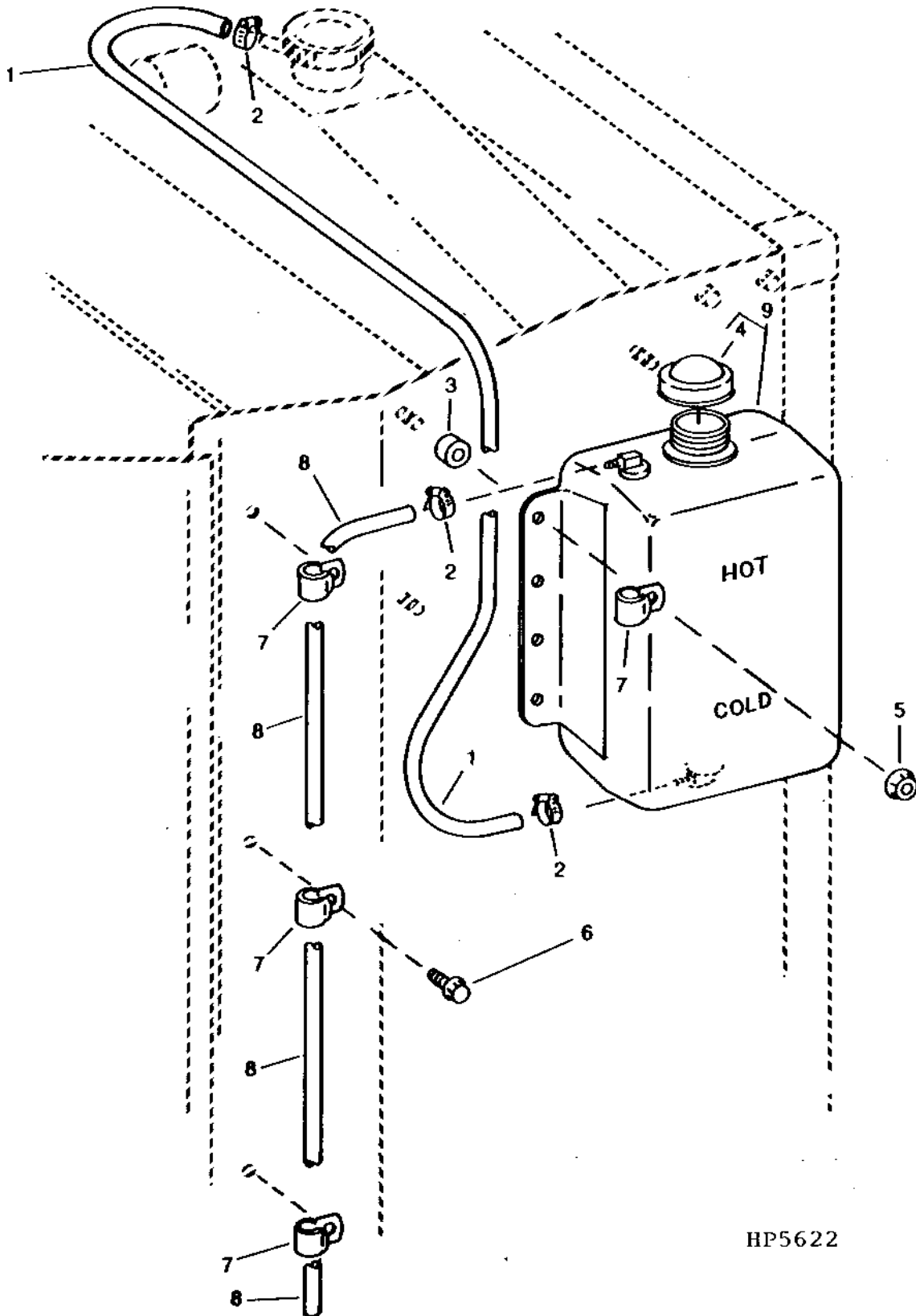
FUEL AND AIR

RADIATOR AND HOSES - CONTINUED

| KEY | PART NO. | PART NAME | QTY | SERIAL NO. | REMARKS |
|-----|----------|---------------|-----|------------|---|
| 1 | AR21999 | HOSE CLAMP | 5 | -641944 | (SUB RE41991) |
| | RE41991 | CLAMP | 5 | -663020 | (SUB TY22472) |
| | TY22472 | CLAMP | 3 | | |
| 2 | AR21999 | HOSE CLAMP | 2 | 670301- | |
| | AH130082 | HOSE | 1 | -640300 | (SUB AH135889) |
| | AH135889 | RADIATOR HOSE | 1 | | |
| 3 | AH140110 | HOSE | 1 | -642112 | (SUB AH137642) SPRING REINFORCED (LOW HP) |
| | AH137758 | HOSE | 1 | | SPRING REINFORCED |
| | H133973 | HOSE | 1 | -642112 | (SUB AH140931) |
| 4 | AH140931 | HOSE | 1 | | |
| | AN191560 | FILLER CAP | 1 | -666172 | 7 PSI |
| 5 | AH148649 | FILLER CAP | 1 | | 10 PSI |
| | 37M7083 | SCREW | 2 | | M8 X 12 |
| 6 | AT13740 | DRAIN VALVE | 1 | | |
| 7 | H118766 | CLAMP | 1 | -641464 | (SUB H145832) |
| | H145832 | CLAMP | 1 | | |
| 8 | H134124 | HOSE | 1 | -646204 | (SUB TY22324) (CUT TO LENGTH) |
| | TY22324 | BULK HOSE | 1 | | |
| 9 | AH130084 | HOSE | 1 | -640300 | (SUB AH135889) |
| | AH135889 | RADIATOR HOSE | 1 | | |
| | AH140110 | HOSE | 1 | -642112 | (SUB AH137642) SPRING REINFORCED |
| 10 | AH137642 | HOSE | 1 | | SPRING REINFORCED |
| | H123297 | CLAMP | 1 | | |
| 11 | 19M7865 | SCREW | 1 | | M8 X 16 |
| | 14M7298 | FLANGE NUT | 1 | | M8 |
| 12 | H133970 | BUSHING | 1 | -641944 | 60.300 X 63.500 X 110 MM (2.374" X 2-1/2" X 4.331") (SUB H147111) |
| | H147111 | TUBE | 1 | | |
| 13 | AR21999 | HOSE CLAMP | 1 | -641944 | (SUB RE41991) |
| | RE41991 | CLAMP | 1 | -663020 | (SUB TY22472) |
| | TY22472 | CLAMP | 1 | | |
| 14 | H75541 | CLAMP | 2 | | |

2G11

COOLANT RECOVERY TANK
HP5622 -UN-01JAN94



HP5622

2G12

FUEL AND AIR

COOLANT RECOVERY TANK - CONTINUED

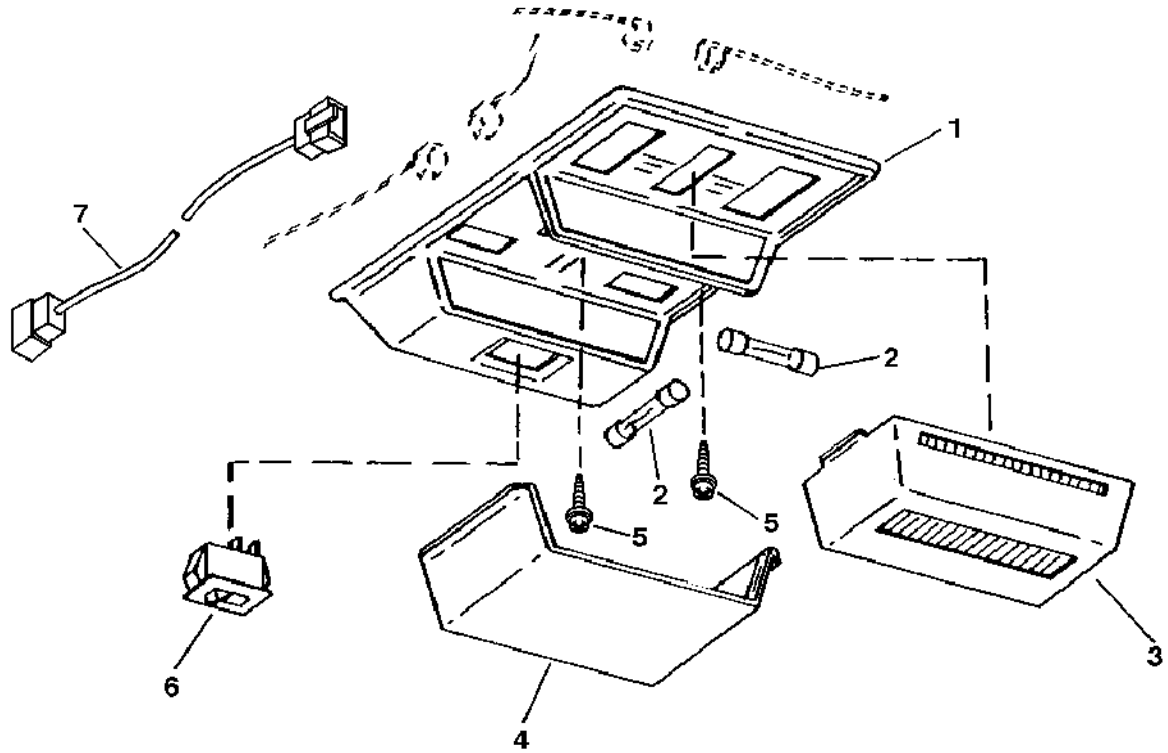
| KEY | PART NO. | PART NAME | QTY | SERIAL NO. | REMARKS |
|-----|----------|------------|-----|------------|------------------------------|
| 1 | TY22566 | HOSE | 1 | | (SUB FOR H147069 OR TY22412) |
| 2 | TY22462 | CLAMP | 3 | | (SUB FOR AR48236) |
| 3 | M78494 | SPACER | 4 | | |
| 4 | AT106413 | CAP | 1 | | |
| 5 | 14M7298 | FLANGE NUT | 4 | M8 | |
| 6 | 19M7865 | SCREW | 3 | M8 X 16 | |
| 7 | AH89557 | CLIP | 4 | | |
| 8 | H147068 | HOSE | 1 | | |
| 9 | AT162597 | TANK | 1 | | (SUB FOR AT104021) |

MEMORANDA

3B21

ELECTRICAL

CAB DOME LIGHT
 HP6762 -UN-18AUG97



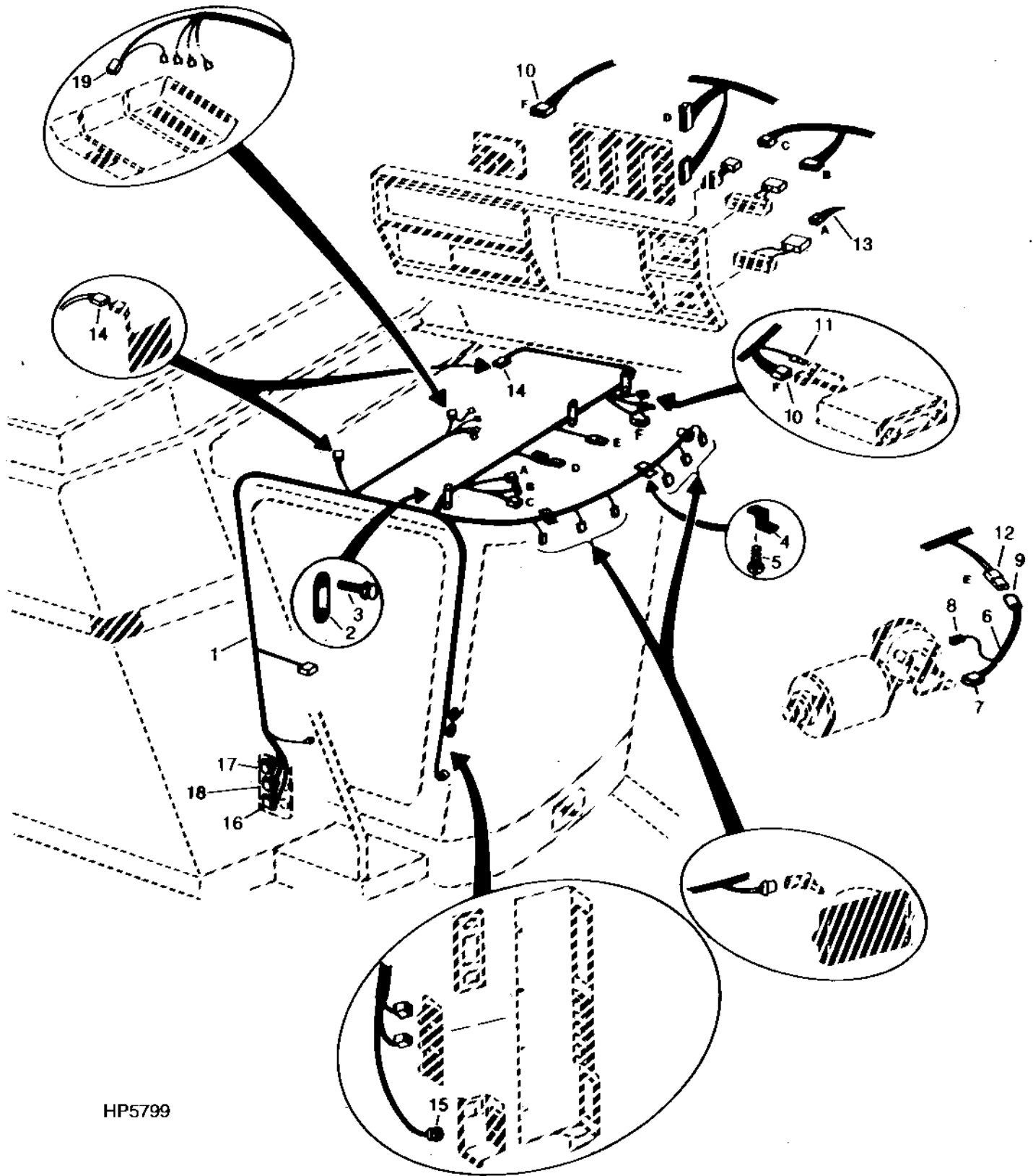
HP6762

| KEY | PART NO. | PART NAME | QTY | SERIAL NO. | REMARKS |
|-----|----------|----------------|-----|------------|---------|
| 1 | H131985 | BASE | 1 | | |
| | H159831 | BASE | 1 | | |
| 2 | 57M7173 | BULB | 2 | | |
| 3 | AH126831 | COVER | 1 | | |
| | AH153626 | COVER | 1 | | |
| 4 | H131982 | LENS | 1 | | |
| 5 | H123995 | SCREW | 2 | | |
| 6 | AH109555 | ROCKER SWITCH | 1 | | |
| | AH153910 | SWITCH | 1 | | |
| 7 | AH154151 | WIRING HARNESS | 1 | | |

3B22

ELECTRICAL

CAB WIRING HARNESS
HP5799 -UN-15OCT94



HP5799

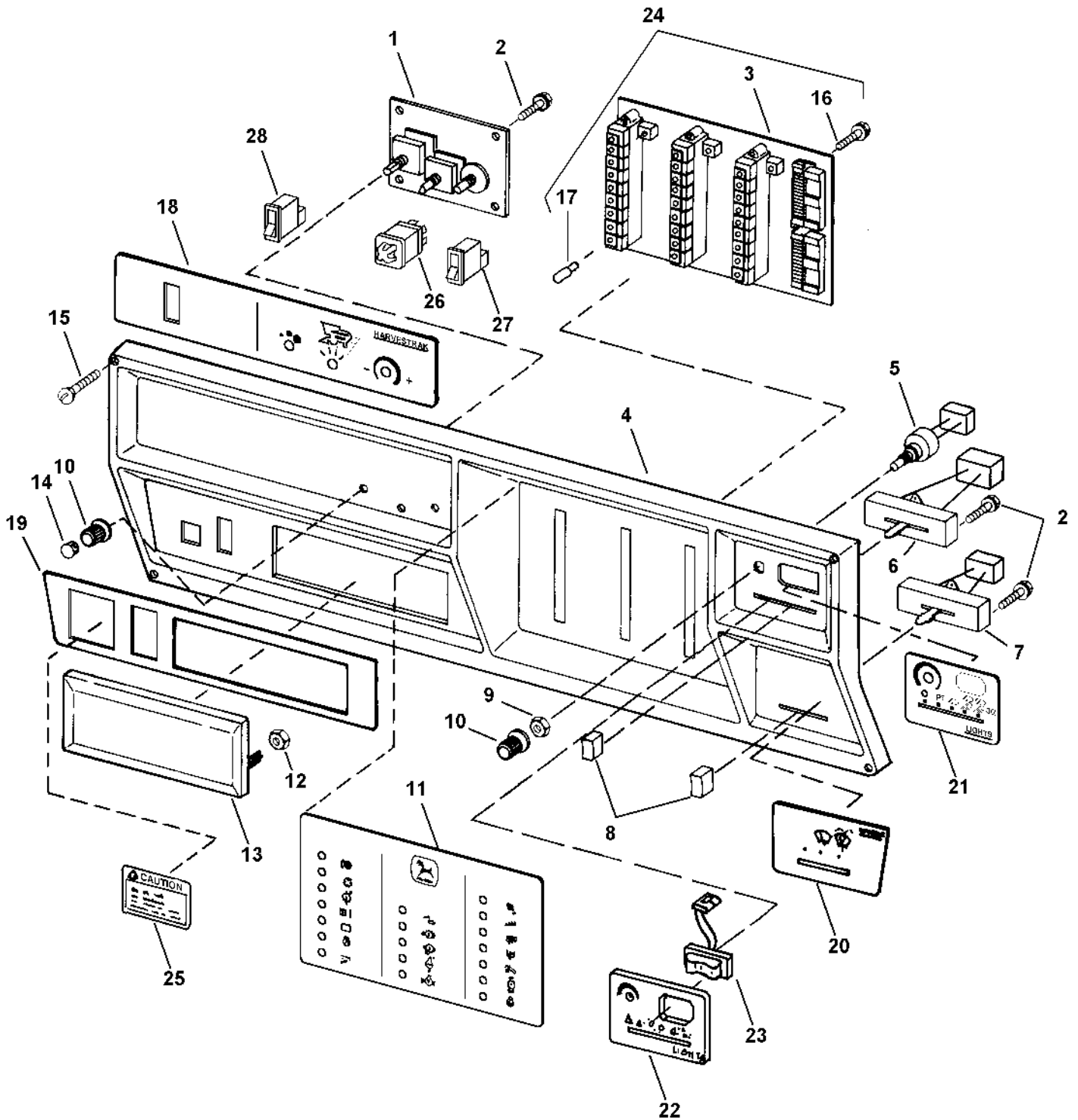
CAB WIRING HARNESS - CONTINUED

| KEY | PART NO. | PART NAME | QTY | SERIAL NO. | REMARKS |
|-----|----------|----------------------------|-----|------------|---|
| 1 | AH128415 | WIRING HARNESS | 1 | -640300 | (SUB AH137927, AH138279 AND (2) AH138280) |
| | AH145021 | WIRING HARNESS | 1 | -29SEP7 | (SUB FOR AH137927, AH136466 OR AH142155) |
| | AH151774 | WIRING HARNESS | 1 | 29SEP7- | |
| 2 | H129440 | STRAP | 3 | | |
| 3 | H114038 | SCREW | 6 | | |
| 4 | AH89557 | CLIP | 3 | | (SUB FOR H131302) |
| 5 | H123995 | SCREW | 3 | | |
| 6 | AH143422 | WIRING HARNESS | 1 | | (OPTIONAL REGULAR WIPER ONLY) |
| 7 | R77481 | CONNECTOR | 1 | | (PKG. OF 2) |
| | U46662 | TERMINAL | 1 | | (PKG. OF 25) |
| 8 | T28583 | RECEPTACLE CONNECTOR BODY | 1 | | (PKG. OF 3) |
| | U46662 | TERMINAL | 1 | | (PKG. OF 25) |
| 9 | R78053 | PIN CONTACT CONNECTOR BODY | 1 | | (PKG. OF 3) |
| | R78061 | PIN CONTACT | 1 | -640300 | (PKG. OF 40) |
| 10 | H118416 | PIN CONTACT | 1 | -640300 | (6 HOLES) |
| | R77468 | TERMINAL | 1 | -640300 | (PKG. OF 5) |
| 11 | RE12362 | CONNECTOR | 1 | -640300 | (PKG. OF 3) |
| | R78057 | SOCKET CONTACT | 1 | -640300 | (PKG. OF 40) |
| | R78047 | SEAL | 1 | | (PKG. OF 5) |
| 12 | RE12363 | CONNECTOR | 1 | | (PKG. OF 3) |
| | U46662 | TERMINAL | 1 | | (PKG. OF 25) |
| | R78060 | SOCKET CONTACT | 1 | | (PKG. OF 40) |
| | R78048 | TERMINAL NIPPLE | 1 | | (PKG. OF 5) |
| 13 | T24167 | RECEPTACLE CONNECTOR BODY | 1 | | |
| | R77464 | PIN CONTACT | 1 | | (PKG. OF 50) |
| | U46662 | TERMINAL | 1 | | (PKG. OF 25) |
| 14 | R77477 | RECEPTACLE CONNECTOR BODY | 2 | | (PKG. OF 2) |
| 15 | H118431 | CONNECTOR | 1 | | |
| 16 | H140664 | CONNECTOR | 1 | | (SUB FOR H107004) |
| | R77464 | PIN CONTACT | 1 | | (PKG. OF 50) |
| 17 | H118430 | CONNECTOR | 1 | | (37 PIN CONNECTOR) |
| 18 | R77464 | PIN CONTACT | 1 | | (PKG OF 50) |
| 19 | R77477 | RECEPTACLE CONNECTOR BODY | 1 | | (PKG. OF 2) |
| | U46662 | TERMINAL | 1 | | (PKG. OF 25) |

3B24

ELECTRICAL

OVERHEAD CONSOLE PANEL
HP7357 -UN-11FEB98



HP7357

3B25

ELECTRICAL

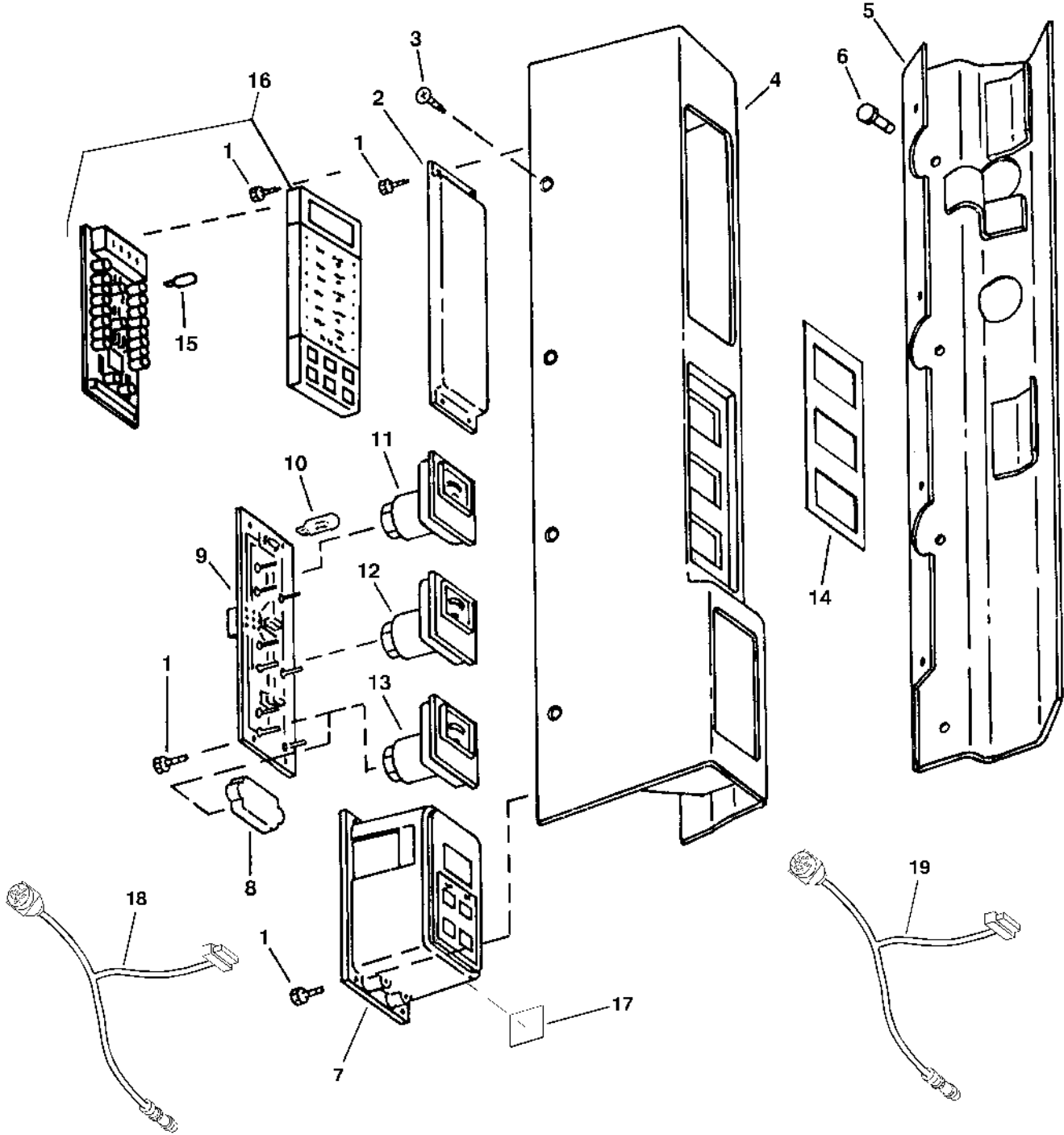
OVERHEAD CONSOLE PANEL - CONTINUED

| KEY | PART NO. | PART NAME | QTY | SERIAL NO. | REMARKS |
|-----|----------|---------------|-----|------------|---|
| 1 | AH125627 | CIRCUIT BOARD | 1 | | WITH HARVESTRAK |
| 2 | H111364 | SCREW | AR | | 10 WITH HARVESTRAK, 6 W/O HARVESTRAK |
| 3 | AH154573 | KIT | 1 | | (SUB FOR AH146208, AH136570 OR AH130129) |
| 4 | H168421 | PANEL | 1 | | (SUB FOR H161549, AH154277, AH145688, AH140610 OR H130152) |
| 5 | AH115797 | RHEOSTAT | 1 | | |
| 6 | AH144741 | SWITCH | 1 | | (SUB FOR AH115799) LIGHTS |
| 7 | AH144742 | SWITCH | 1 | | (SUB FOR AH115800) WIPER |
| 8 | H110848 | KNOB | 2 | -656581 | |
| | H150681 | KNOB | 2 | 656582- | |
| 9 | H140248 | NUT | 1 | | |
| 10 | H130153 | KNOB | 4 | | 4 WITH HARVESTRAK, 1 W/O HARVESTRAK |
| 11 | H138798 | PANEL | 1 | | (SUB FOR H132661) |
| | H143632 | PANEL | 1 | | (SUB FOR H135114) (EXPORT ONLY - FRANCE) |
| 12 | H117239 | FLANGE NUT | 2 | | 6.350 MM (1/4") LESS RADIO |
| 13 | H132795 | PANEL | 1 | | LESS RADIO |
| 14 | H113924 | PLUG | 3 | | |
| 15 | H130194 | CAP SCREW | 6 | | M4 X 30 |
| 16 | H110842 | SCREW | 6 | | |
| 17 | AH108380 | BULB | 22 | | |
| 18 | H137539 | PANEL | 1 | | HARVESTRAK GRAPHICS DECAL |
| 19 | H145418 | DECAL | 1 | | RADIO TRIM DECAL |
| 20 | H145419 | DECAL | 1 | | WINDSHIELD WIPER GRAPHICS DECAL |
| 21 | H145420 | DECAL | 1 | | LIGHTS GRAPHICS DECAL |
| 22 | H151376 | DECAL | 1 | 29SEP7- | LIGHTS GRAPHICS DECAL W/OPTIONAL AUX FIELD LIGHTS |
| 23 | AH145674 | ROCKER SWITCH | 1 | 660301- | USED WITH OPTIONAL AUX FIELD LIGHTS |
| 24 | AH154573 | KIT | 1 | | (SUB FOR AH146208) WARNING DISPLAY PANEL |
| 25 | H155510 | SIGN | 1 | 665301- | "CAUTION" SEATBELT |
| 26 | AZ47908 | SWITCH | 1 | 21OCT7- | (FRENCH) |
| | Z60250 | PUSH BUTTON | 1 | 21OCT7- | MIRROR DEFROST |
| 27 | AZ36343 | TOGGLE SWITCH | 1 | 21OCT7- | (FRENCH) |

3C1

ELECTRICAL

CAB POST INSTRUMENT PANEL
HP7510 -UN-06MAY98

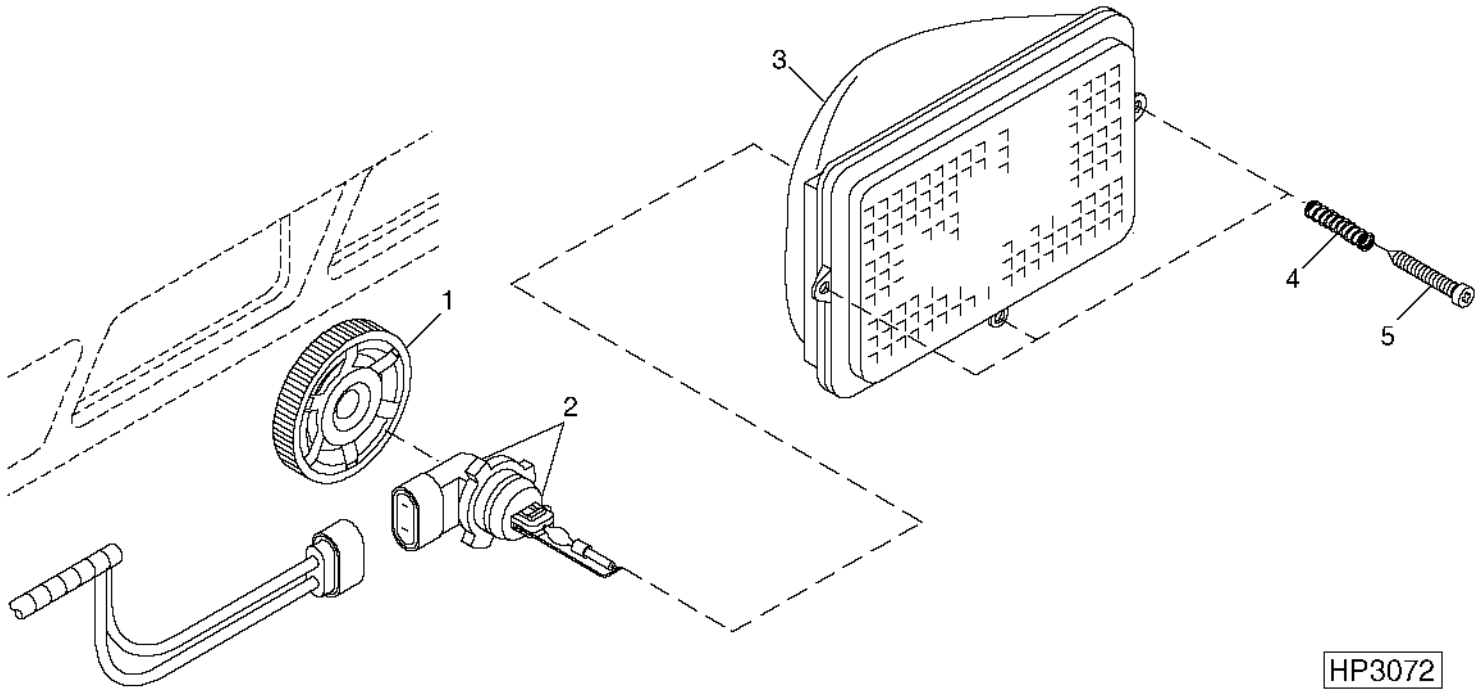


HP7510

CAB POST INSTRUMENT PANEL - CONTINUED

| KEY | PART NO. | PART NAME | QTY | SERIAL NO. | REMARKS |
|-----|----------|-------------------|-----|---------------|--|
| 1 | 21M7268 | SCREW | AR | | M3 X 6 |
| 2 | H130058 | PANEL | 1 | | USE WITHOUT DATA CENTER |
| 3 | H158579 | SCREW | AR | | M5 X 12, (SUB FOR H130195) |
| 4 | AH140609 | PANEL | 1 | | (SUB FOR H124222) |
| 5 | AH120570 | BRACKET | 1 | | |
| 6 | 37M7089 | SCREW | AR | | M6 X 12 |
| 7 | AH163526 | KIT | 1 | | (SUB FOR AH128015, AH136006, AH139889, AH141791, AH142327, AH142490, AH143068, AH147555, AH159349, AH161335 OR AH159984) |
| 8 | H129686 | COVER | 1 | | USE ONLY WITHOUT HARVESTRAK |
| 9 | AH141984 | CIRCUIT BOARD | 1 | | (SUB FOR AH127572) GAUGE BOARD |
| 10 | AA27536 | BULB | 3 | | |
| 11 | AH120444 | GAUGE | 1 | | FOR FUEL |
| 12 | AH139129 | TEMPERATURE GAUGE | 1 | -666312 | (SUB FOR AH120443) ENGINE |
| | AH148354 | TEMPERATURE GAUGE | 1 | 666313-2FEB98 | ENGINE |
| | AH159352 | TEMPERATURE GAUGE | 1 | 2FEB98- | ENGINE |
| 13 | AH120445 | GAUGE | 1 | | HARVESTRAK |
| 14 | H145417 | DECAL | 1 | | GAUGE GRAPHICS DECAL |
| 15 | AH108380 | BULB | 20 | | |
| 16 | AH148192 | KIT | 1 | | (SUB FOR AH142057 OR AH145565) COMBINE DATA CENTER |
| 17 | R133617 | LABEL | 1 | 29SEP7- | |
| 18 | AH155577 | WIRING HARNESS | 1 | 29SEP7- | ADAPTER TACH W/CONCAVE |
| 19 | AH155928 | WIRING HARNESS | 1 | 3NOV97- | |

CAB ROOF LIGHTS
HP3072 -UN-24AUG99



HP3072

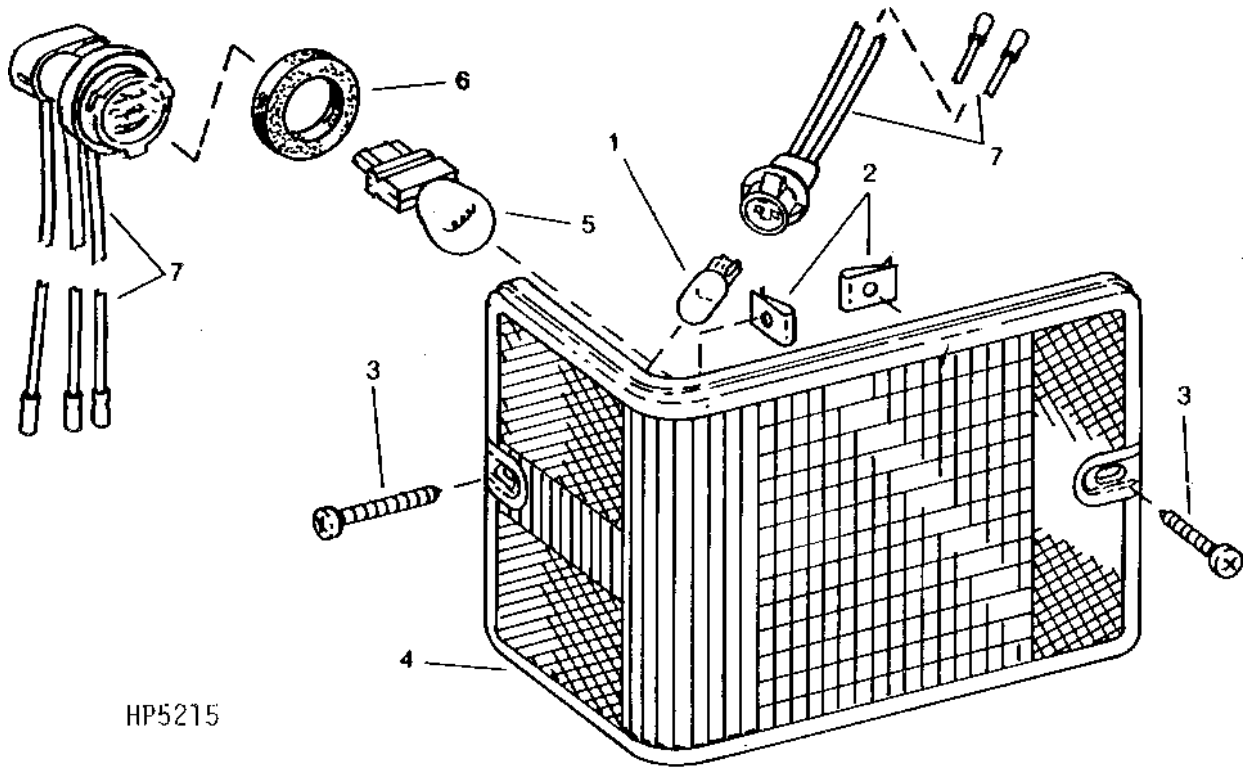
| KEY | PART NO. | PART NAME | QTY | SERIAL NO. | REMARKS |
|-----|----------------|------------------------------------|----------|------------|--|
| 1 | H132900 | RETAINER | 6 | | |
| 2 | AH127718 | BULB | 6 | | |
| 3 | AH128327 | FLOODLAMP | 4 | | |
| | AH128328 | FLOODLAMP | 2 | | |
| 4 | H130299 | SPRING | 18 | | |
| 5 | H130298 | SCREW | 18 | M5 X 40 | |
| .. | BH81453 | COMPLETE GOODS/SHIP. BUNDLE | 1 | | SHOE ADJUSTING LIGHT CONVERSION |

3C4

ELECTRICAL

FRONT AND REAR TURN AND TAIL LIGHTS

HP5215 -UN-01JAN94



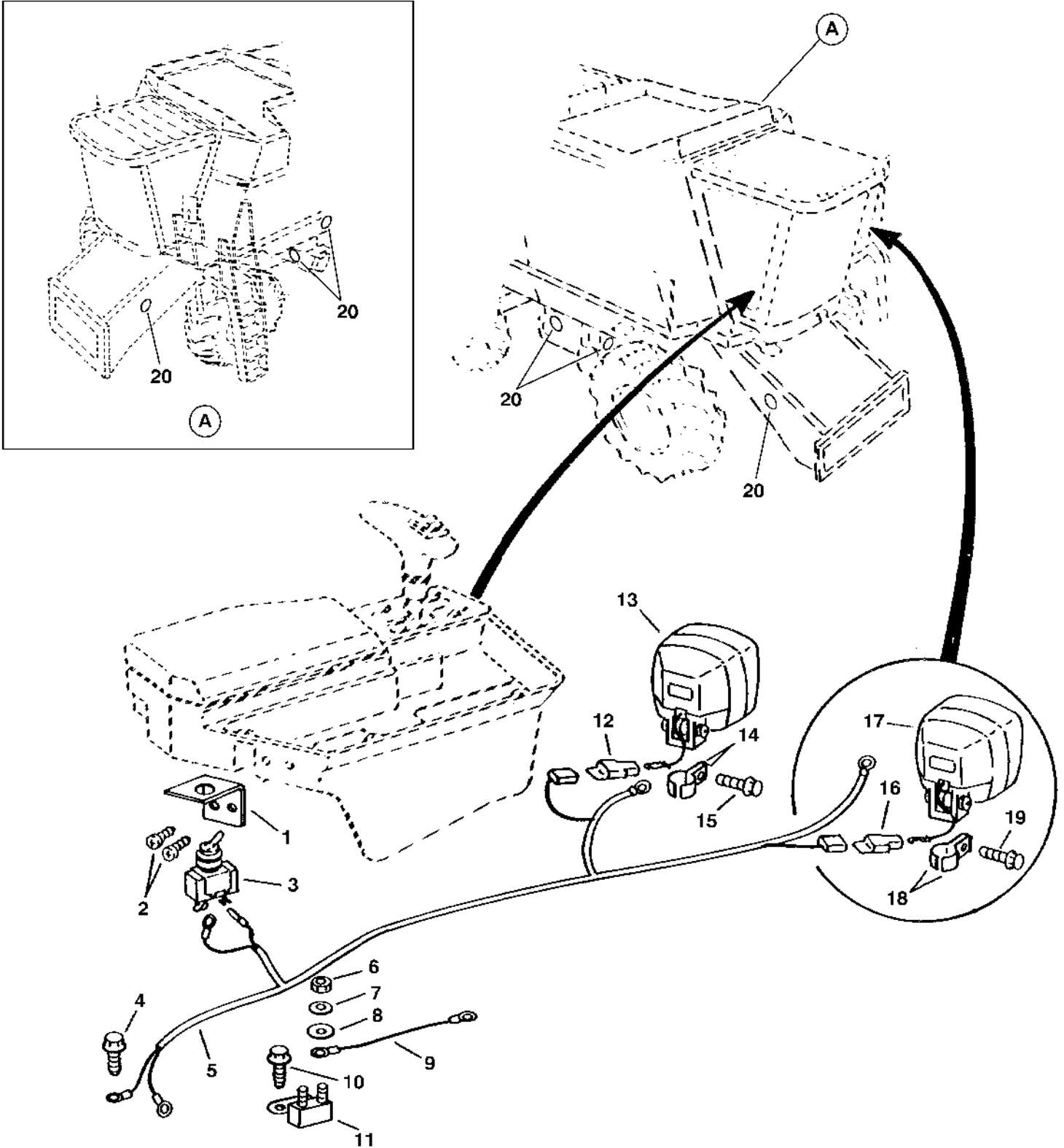
HP5215

| KEY | PART NO. | PART NAME | QTY | SERIAL NO. | REMARKS |
|-----|----------|-----------|-----|------------|---|
| 1 | AR62407 | BULB | 6 | | |
| 2 | H140628 | NUT | 12 | | (SUB FOR H129940) |
| 3 | H140627 | SCREW | 12 | | (SUB FOR 37M7182) |
| 4 | AH123014 | LAMP | 1 | | AMBER, R.H. FRONT |
| | AH123015 | LAMP | 1 | | AMBER, L.H. FRONT |
| | AH123016 | LAMP | 2 | | RED, R.H. AND L.H. REAR |
| | AH123017 | TAIL LAMP | 2 | | AMBER, R.H. AND L.H. REAR |
| 5 | H133384 | BULB | 6 | | |
| 6 | H141955 | SEAL | 1 | | |
| 7 | AH140120 | KIT | 1 | | SOCKET KIT (CONTAINS ONE LARGE REAR SOCKET AND ONE SMALL SIDE SOCKET) |

3C5

ELECTRICAL

AUXILIARY FIELD LIGHTING
HP6626 -UN-29JAN97



HP6626

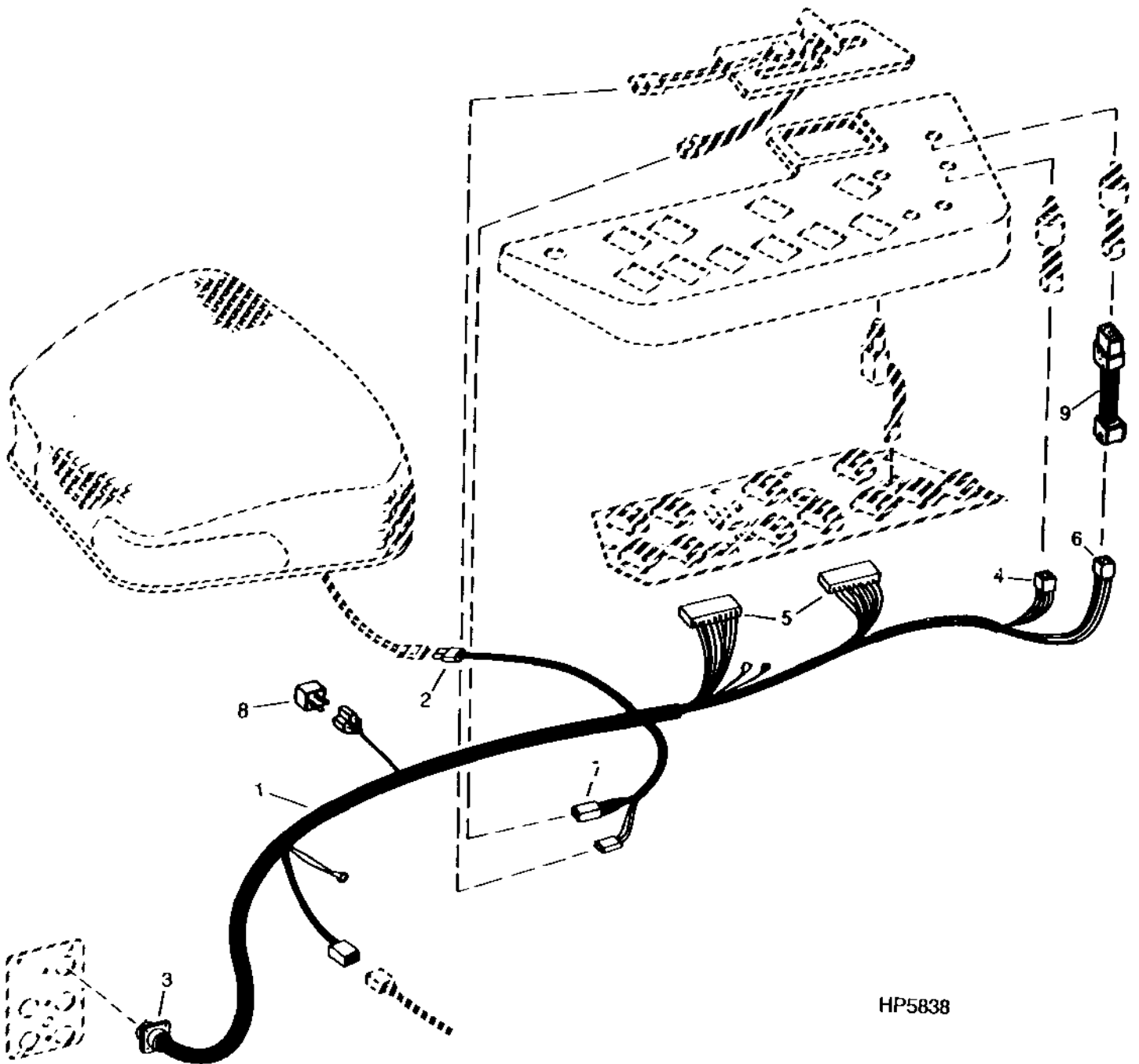
AUXILIARY FIELD LIGHTING - CONTINUED

| KEY | PART NO. | PART NAME | QTY | SERIAL NO. | REMARKS |
|-----|----------------|------------------------------------|----------|------------|--|
| 1 | H147249 | BRACKET | 1 | | |
| 2 | H111706 | SCREW | 2 | | |
| 3 | AH87806 | SWITCH | 1 | | TO BRACKET IN CAB |
| 4 | 37H147 | SCREW | 1 | | TO RELAY PANEL |
| 5 | AH141171 | WIRING HARNESS | 1 | | ROUTE ALONG R.H. MAIN WIRING HARNESS |
| 6 | 14H631 | NUT | 2 | | 0.190" |
| 7 | 12H246 | LOCK WASHER | 2 | | 0.190" |
| 8 | 24M7027 | WASHER | 2 | | 5.300 X 10 X 1 MM |
| 9 | AH141131 | WIRING LEAD | 1 | | ONE END TO BUSS BAR, OTHER TO CIRCUIT BREAKER |
| 10 | 37H147 | SCREW | 2 | | |
| 11 | AR28403 | CIRCUIT BREAKER | 1 | | ATTACH TO ENGINE COMPARTMENT RELAY |
| 12 | T28585 | TAB CONNECTOR BODY | 1 | | |
| 13 | AT135485 | FLOODLAMP | 1 | | TO LEFT HAND SIDE |
| 14 | AH140706 | KIT | 1 | | CONTAINS TWO HALF CLAMPS |
| 15 | 19M7867 | SCREW | 1 | | M8 X 25 |
| 16 | T28585 | TAB CONNECTOR BODY | 1 | | |
| 17 | AT135485 | FLOODLAMP | 1 | | TO RIGHT HAND SIDE |
| 18 | AH140706 | KIT | 1 | | CONTAINS TWO HALF CLAMPS |
| 19 | 19M7867 | SCREW | 1 | | M8 X 25 |
| 20 | AZ47247 | REFLECTOR | 6 | 671609- | (FRENCH) |
| .. | R44302 | TIE BAND | AR | | USE TO SECURE WIRING HARNESS TO ENGINE HARNESS |
| .. | BH79711 | COMPLETE GOODS/SHIP. BUNDLE | 1 | | OPTIONAL FIELD LIGHTS |

3C7

ELECTRICAL

ARMREST WIRING HARNESS
HP5838 -UN-15OCT94



HP5838

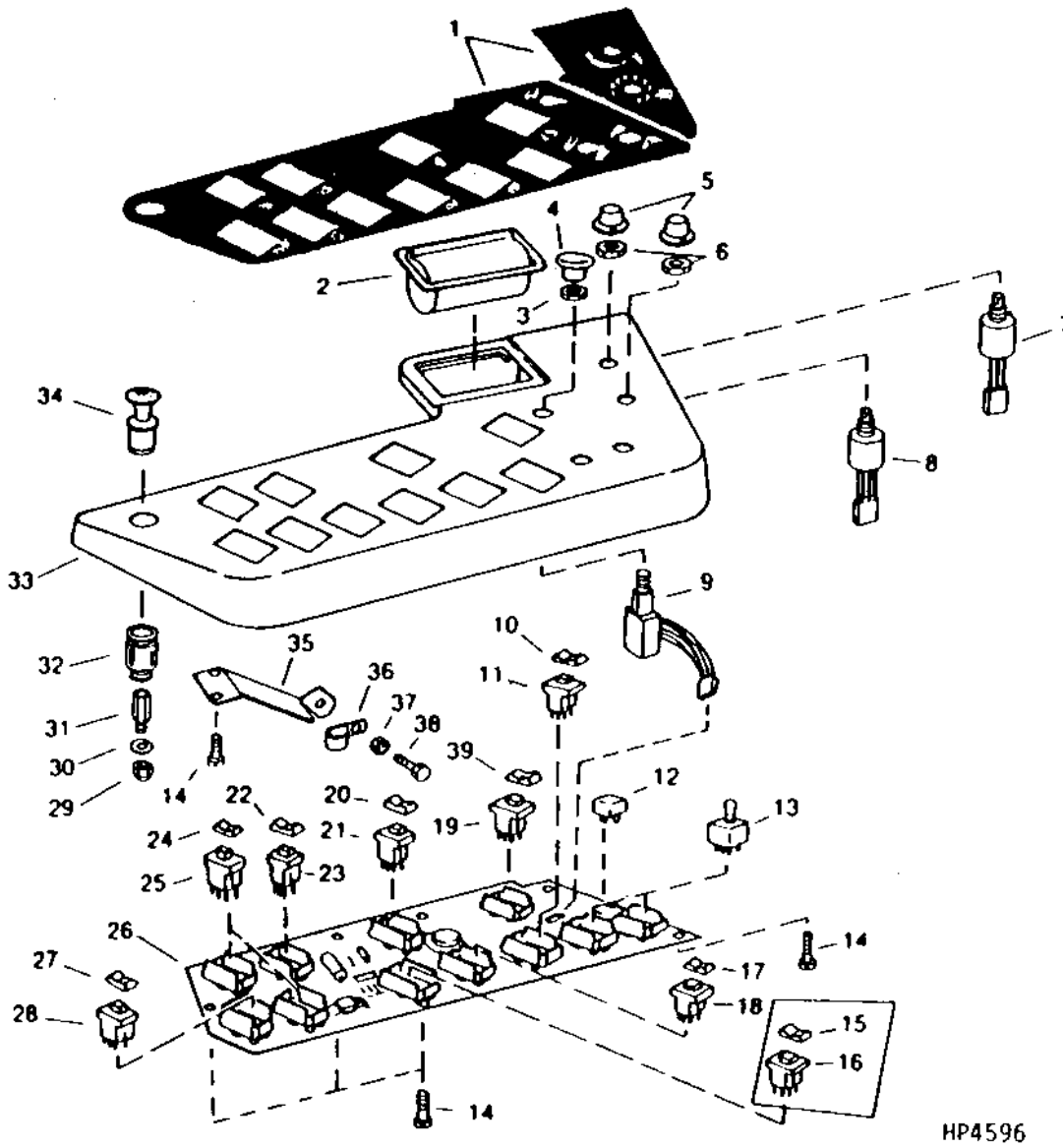
ARMREST WIRING HARNESS - CONTINUED

| KEY | PART NO. | PART NAME | QTY | SERIAL NO. | REMARKS |
|-----|----------|-----------------|-----|------------|--|
| 1 | AH145026 | WIRING HARNESS | 1 | | (SUB FOR AH128419, AH136467 OR AH143301) |
| 2 | RE12363 | CONNECTOR | 1 | | (PKG. OF 5) |
| | R78048 | TERMINAL NIPPLE | 1 | | (PKG. OF 3) |
| | R78063 | TERMINAL NIPPLE | 1 | | (PKG. OF 40) |
| | R78060 | SOCKET CONTACT | 1 | | (PKG OF 40) |
| 3 | H118430 | CONNECTOR | 1 | | (37 PIN CONNECTOR) |
| 4 | AH116902 | CONNECTOR | 1 | | CONNECTS TO DIAL-A-SPEED SWITCH |
| 5 | R77465 | SOCKET CONTACT | AR | | |
| 6 | R77465 | SOCKET CONTACT | AR | | CONNECTS TO ADAPTER HARNESS |
| 7 | AH116902 | CONNECTOR | 1 | | CONNECTS TO SWITCHES IN HYDRO HANDLE |
| 8 | AH106612 | RELAY | 1 | | |
| 9 | AH146207 | WIRING HARNESS | 1 | | (SUB FOR AH145962) CONNECTS TO DIAL-A-MATIC SWITCH |

3C9

ELECTRICAL

ARMREST CONTROL PANEL
HP4596 -UN-29JUN92



ARMREST CONTROL PANEL - CONTINUED

| KEY | PART NO. | PART NAME | QTY | SERIAL NO. | REMARKS |
|-----|----------------|------------------------------------|----------|------------|--|
| 1 | H129723 | PANEL | 1 | | |
| | H145284 | PANEL | 1 | 642300- | (SUB FOR H138407) |
| | H150929 | PANEL | 1 | 660301- | (CONTOUR MASTER) |
| 2 | AH104259 | ASHTRAY | 1 | | |
| 3 | H140248 | NUT | 1 | | (SUB FOR H94505) |
| 4 | H134169 | KNOB | 1 | | |
| 5 | AH126811 | KNOB | 1 | | (OPT) |
| 6 | H106246 | LOCK NUT | 1 | | 9.525 MM (3/8") (OPT) |
| 7 | AH145947 | SWITCH | 1 | | DIAL-A-MATIC (OPT) (SUB FOR AH121199 OR AH135951) |
| 8 | AH121190 | SWITCH | 1 | | DIAL-A-SPEED (OPT) |
| 9 | AH128904 | SWITCH | 1 | | UNLOADING AUGER ENGAGE |
| 10 | H143918 | ACTUATOR | 1 | | (SUB FOR H130448) (USE WITH H159740) MANUAL REEL SPEED |
| | H159740 | LABEL | 1 | | (SUB FOR H144562, H145511 OR H151908) MANUAL REEL SPEED |
| 11 | AH109120 | SWITCH | 1 | | MANUAL REEL SPEED |
| 12 | AH106612 | RELAY | 1 | | |
| 13 | AH111704 | TOGGLE SWITCH | 2 | | HEADER ENGAGE OR SEPARATOR ENGAGE |
| 14 | H111706 | SCREW | 4 | | |
| 15 | H143918 | ACTUATOR | 1 | | (SUB FOR H132965) (USE WITH H159740) PARK BRAKE |
| 16 | AH111705 | ROCKER SWITCH | 1 | -640300 | PARK BRAKE, MANUAL BRAKE USED 1991 AND UP (CONTOUR MASTER) |
| 17 | H143918 | ACTUATOR | 1 | | (SUB FOR H130450) (USE WITH H159740) REEL FORE AND AFT |
| 18 | AH109120 | SWITCH | 1 | | REEL FORE AND AFT |
| 19 | AH112169 | ROCKER SWITCH | 1 | | UNLOADING AUGER SWING |
| 20 | H143918 | ACTUATOR | 1 | | ENGINE SPEED, (SUB FOR H130455) (USE WITH H159740) |
| 21 | AH111705 | ROCKER SWITCH | 1 | -645304 | 2 - POSITION SWITCH FOR ENGINE SPEED |
| | AH112169 | ROCKER SWITCH | 1 | 640301- | 3 - POSITION SWITCH FOR ENGINE SPEED |
| 22 | H143918 | ACTUATOR | 1 | | 4-WHEEL DRIVE (OPT) (SUB FOR H130454) (USE WITH H159740) |
| 23 | AH111705 | ROCKER SWITCH | 1 | | 4-WHEEL DRIVE (OPT) |
| 24 | H143918 | ACTUATOR | 1 | | CLEANING FAN OR CYL. SPEED, (SUB FOR H130448) (USE WITH H159740) |
| 25 | AH109120 | SWITCH | 1 | | CLEANING FAN OR CYL. SPEED |
| 26 | AH153332 | CIRCUIT BOARD | 1 | | (SUB FOR AH130543, AH137788, AH137212, AH141265 OR AH143720) |
| 27 | H143918 | ACTUATOR | 1 | | CONCAVE SPACING, (SUB FOR H130449) (USE WITH H159740) |
| 28 | AH109120 | SWITCH | 1 | | CONCAVE SPACING |
| 29 | 14H605 | NUT | 1 | | 4.166 MM (0.164") |
| 30 | 12M7084 | LOCK WASHER | 1 | | 4.300 MM (0.169") (SUB FOR 12H290) |
| 31 | H129367 | SPACER | 1 | | |
| 32 | AR56766 | HOUSING | 1 | | |
| 33 | H168426 | COVER | 1 | | (SUB FOR AH125240) (USE WITH H129723) |
| 34 | AT26407 | LIGHTER | 1 | | |
| 35 | H126846 | BRACKET | 1 | | |
| 36 | AH117301 | CLAMP | 1 | -641842 | |
| | AH90990 | CLIP | 1 | 641843- | |
| | AH77869 | CLIP | 1 | | (FRENCH ONLY) |
| 37 | 14M7298 | FLANGE NUT | 1 | | M8 |
| | H131531 | NUT | 1 | | (FRENCH ONLY) |
| 38 | 19M7865 | SCREW | 1 | | M8 X 16 |
| 39 | H143918 | ACTUATOR | 1 | | UNLOADING AUGER SWING, (SUB FOR H130453) (USE WITH H159740) |
| .. | BH79485 | COMPLETE GOODS/SHIP. BUNDLE | 1 | | DIAL-A-SPEED CONTROL |
| .. | BH78887 | COMPLETE GOODS/SHIP. BUNDLE | 1 | | REEL FORE AND AFT CONVERSION |

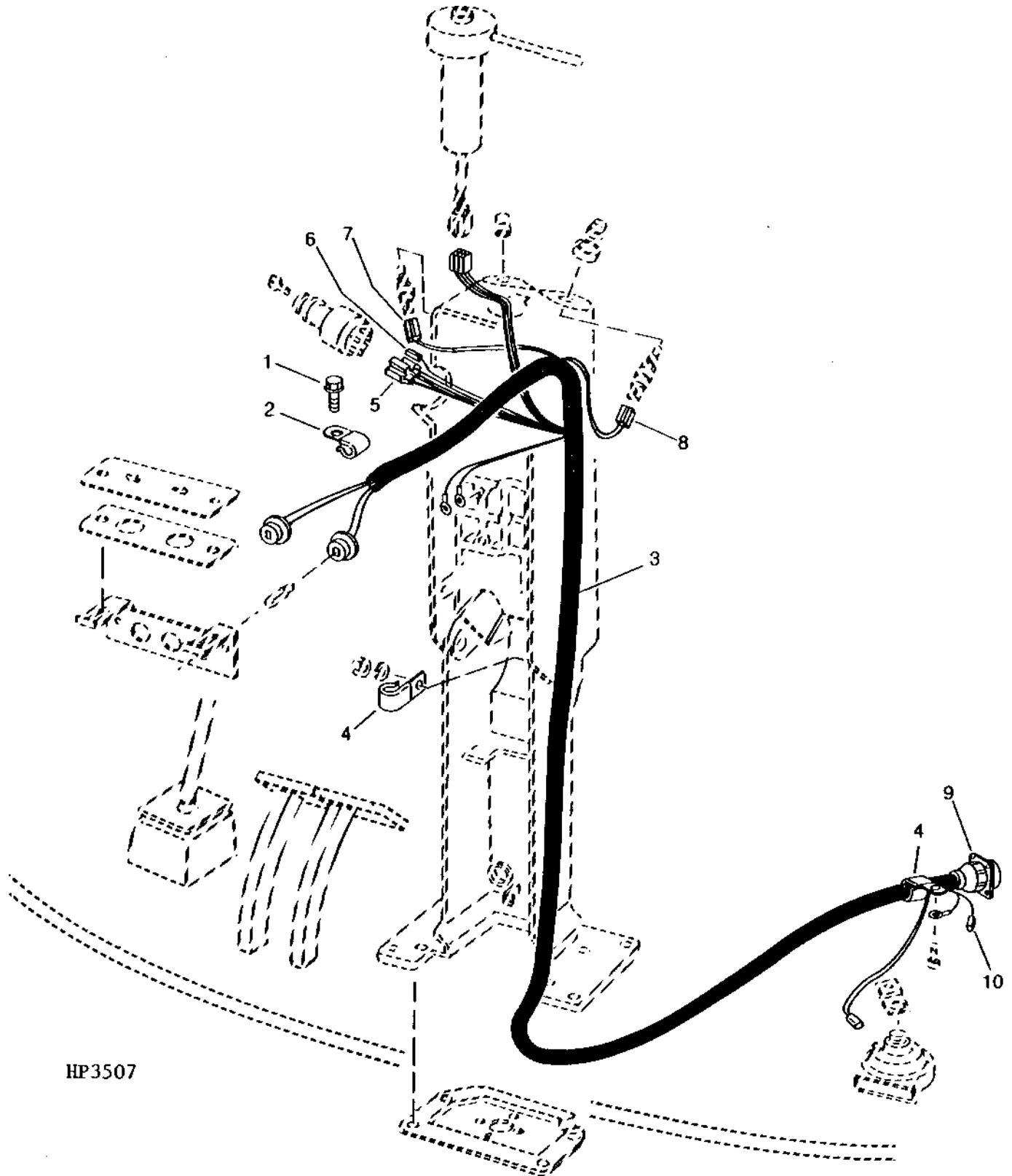
3C11

ELECTRICAL

STEERING COLUMN WIRING HARNESS

(-645904)

HP3507 -UN-01JAN94



HP3507

STEERING COLUMN WIRING HARNESS - CONTINUED
 (-645904)

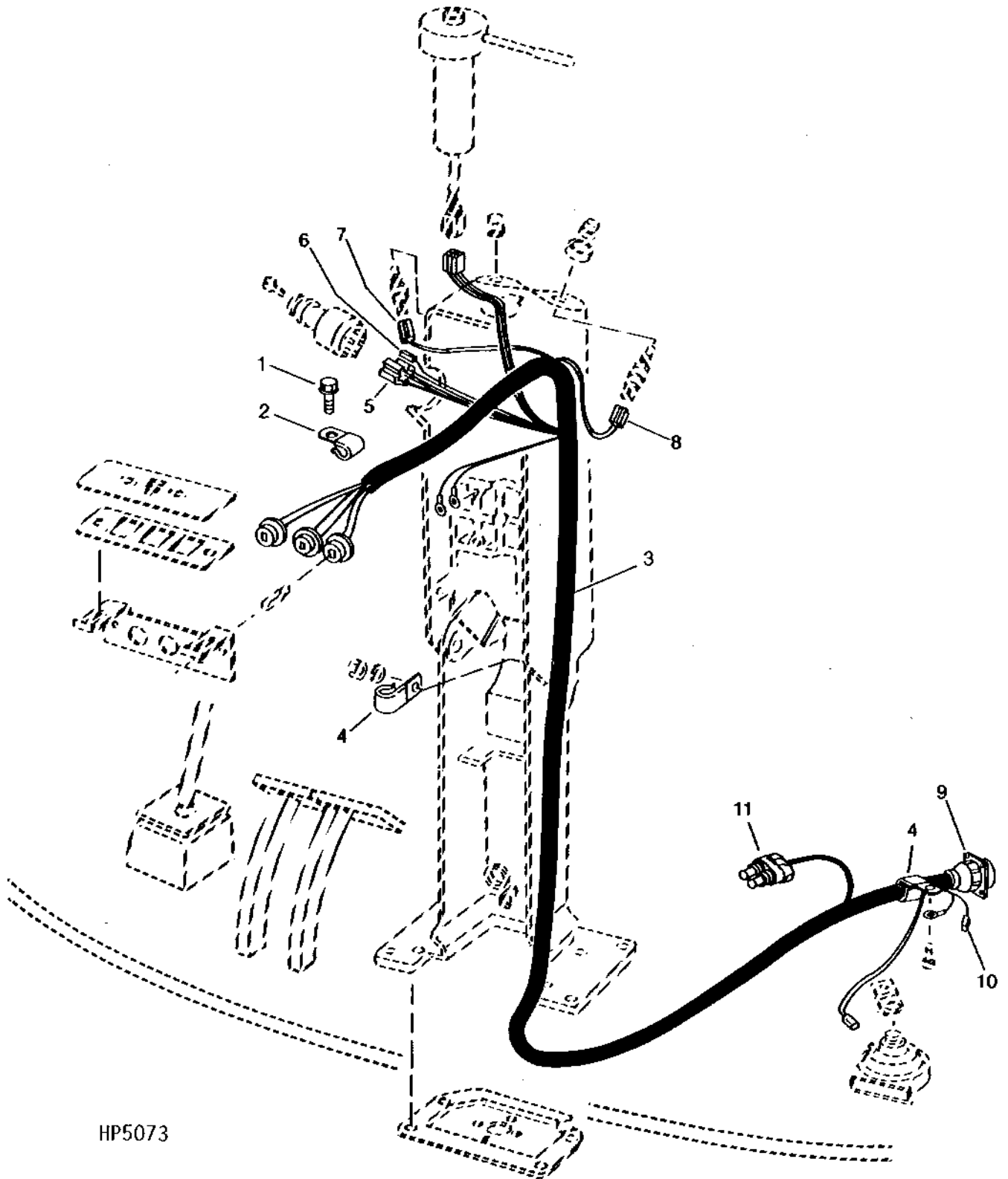
| KEY | PART NO. | PART NAME | QTY | SERIAL NO. | REMARKS |
|-----|----------|----------------------------|-----|------------|--------------------------------|
| 1 | 37M7083 | SCREW | 1 | | M8 X 12 |
| 2 | AH89557 | CLIP | 1 | -641246 | |
| 3 | AH134296 | WIRING HARNESS | 1 | | (SUB FOR AH128401 OR AH134225) |
| 4 | AH96317 | CLIP | 2 | | (SUB FOR AH89486) |
| 5 | L38138 | RECEPTACLE CONNECTOR BODY | 1 | | |
| | M71442 | TERMINAL | 1 | | |
| 6 | T28583 | RECEPTACLE CONNECTOR BODY | 1 | | |
| | U46662 | TERMINAL | 1 | | |
| 7 | R77480 | RECEPTACLE CONNECTOR BODY | 1 | | (SUB FOR M71184) |
| | M71442 | TERMINAL | 1 | | |
| | U46663 | TERMINAL | 1 | | |
| 8 | R77480 | RECEPTACLE CONNECTOR BODY | 1 | | (SUB FOR M71184) |
| | M71442 | TERMINAL | 1 | | |
| 9 | 57M7199 | RECEPTACLE | 1 | -640300 | (24 HOLES, PLAIN) |
| 10 | R78053 | PIN CONTACT CONNECTOR BODY | 1 | | (PKG OF 3) |

3C13

ELECTRICAL

STEERING COLUMN WIRING HARNESS

(645905-)
HP5073 -UN-01JAN94



HP5073

3C14

ELECTRICAL

STEERING COLUMN WIRING HARNESS - CONTINUED
(645905-)

| KEY | PART NO. | PART NAME | QTY | SERIAL NO. | REMARKS |
|-----|----------|----------------------------|-----|--|---------|
| 1 | 37M7083 | SCREW | 1 | M8 X 12 | |
| 2 | AH89557 | CLIP | 1 | | |
| 3 | AH134296 | WIRING HARNESS | 1 | | |
| 4 | AH96317 | CLIP | 2 | (SUB FOR AH89486) | |
| 5 | L38138 | RECEPTACLE CONNECTOR BODY | 1 | CONNECT TO KEY SWITCH | |
| | M71442 | TERMINAL | 1 | | |
| 6 | T28583 | RECEPTACLE CONNECTOR BODY | 1 | CONNECT TO KEY SWITCH | |
| | U46662 | TERMINAL | 1 | | |
| 7 | R77480 | RECEPTACLE CONNECTOR BODY | 1 | (SUB FOR M71184) CONNECT TO THE HORN SWITCH | |
| | M71442 | TERMINAL | 1 | | |
| | U46663 | TERMINAL | 1 | | |
| 8 | R77480 | RECEPTACLE CONNECTOR BODY | 1 | (SUB FOR M71184) CONNECT TO ETHER AID BUTTON | |
| | M71442 | TERMINAL | 1 | | |
| 9 | 57M7199 | RECEPTACLE | 1 | (24 HOLES, PLAIN) | |
| 10 | R78053 | PIN CONTACT CONNECTOR BODY | 1 | (PKG. OF 3) | |
| 11 | RE12363 | CONNECTOR | 1 | TWO PIN, (PKG. OF 5), CONNECTS TO MANUAL PARK BRAKE SWITCH | |
| | R78048 | TERMINAL NIPPLE | 1 | (PKG. OF 3) | |
| | R78063 | TERMINAL NIPPLE | 1 | (PKG. OF 40) | |
| | R78060 | SOCKET CONTACT | 1 | (PKG. OF 40) | |

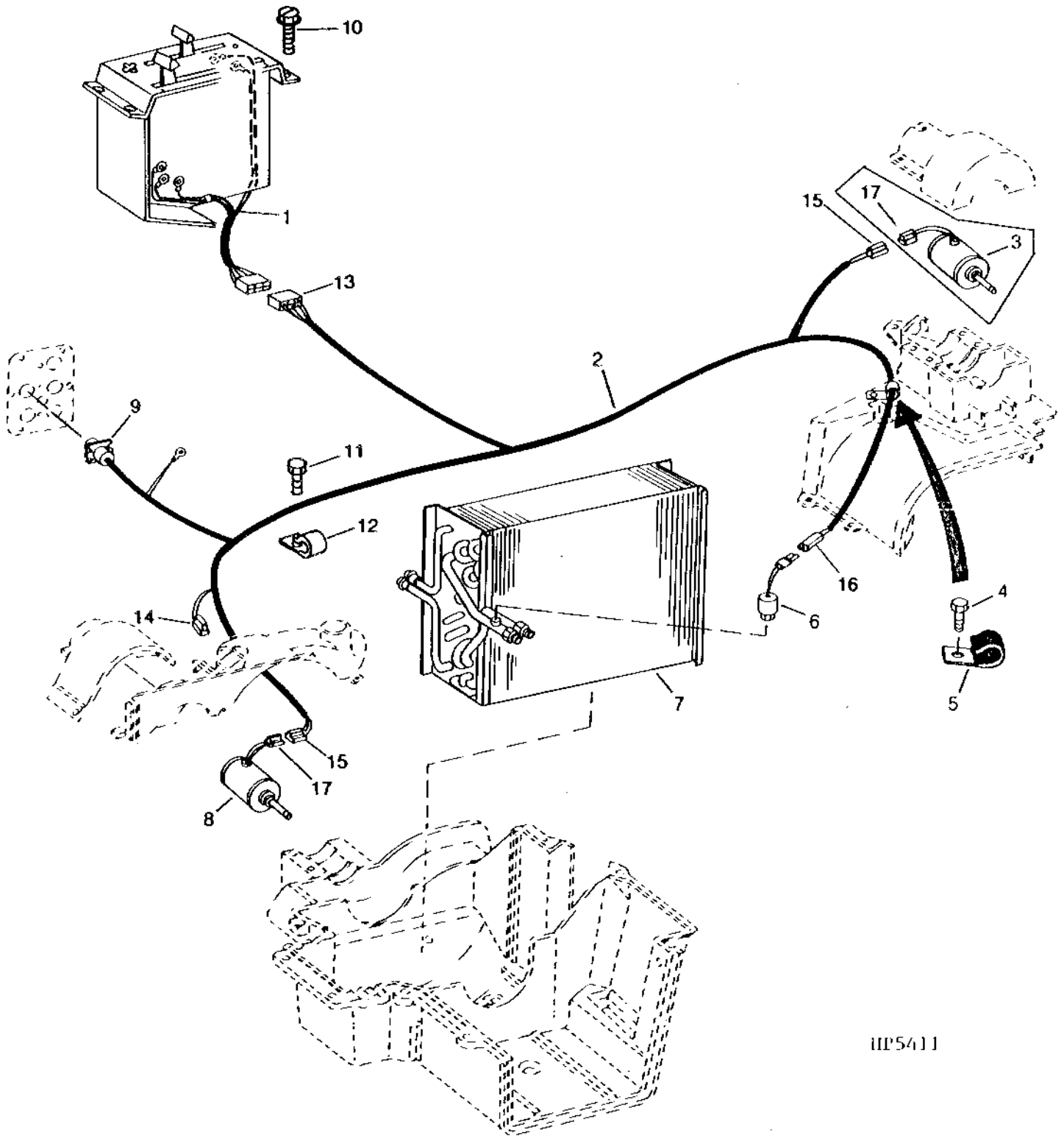
3C15

ELECTRICAL

AIR CONDITIONER AND HEATER WIRING HARNESS

(-660300)

HP5411 -UN-01JAN94



HP5411

3C16

ELECTRICAL

AIR CONDITIONER AND HEATER WIRING HARNESS - CONTINUED
(-660300)

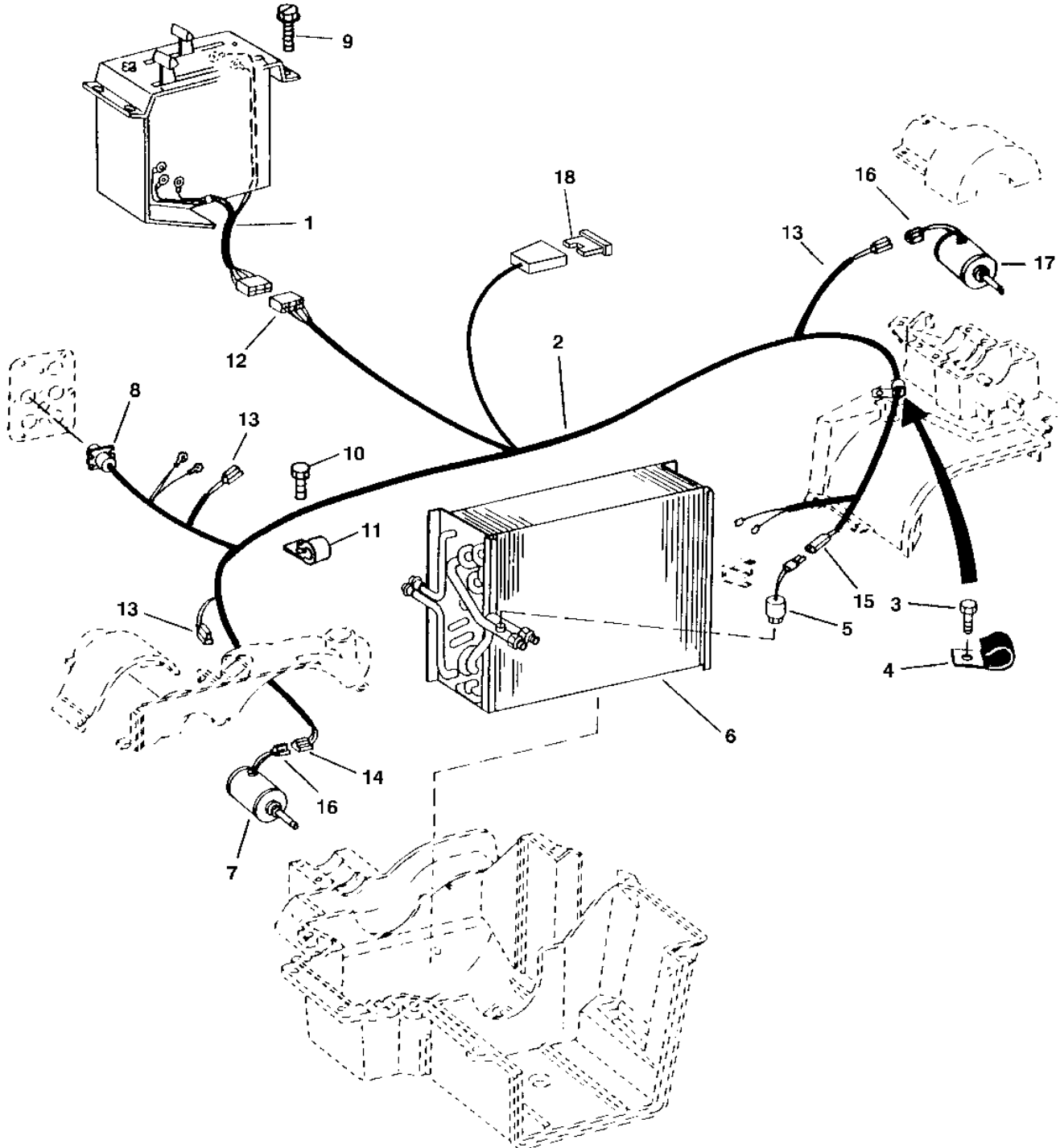
| KEY | PART NO. | PART NAME | QTY | SERIAL NO. | REMARKS |
|-----|----------|----------------------------|-----|------------|---|
| 1 | AH144096 | CONTROL | 1 | | (SUB FOR AH118796 OR AH140169) |
| | 24H1914 | WASHER | 3 | 652159- | 3.175 X 7.925 X 0.813 MM |
| | M80082 | NUT | 1 | | 6.350 MM, (SUB FOR M82321) |
| 2 | AH148616 | WIRING HARNESS | 1 | | (SUB FOR AH128402, AH144018 OR AH136896) |
| 3 | AH128925 | MOTOR | 1 | -640300 | PRESSURIZER |
| | AH128925 | MOTOR | 1 | 652143- | |
| | H129887 | ISOLATOR | 1 | | (USE WITH AH128925) |
| 4 | 19M7862 | SCREW | 1 | | M6 X 20 |
| 5 | AH89557 | CLIP | 1 | -641246 | |
| 6 | AH144084 | SWITCH | 1 | | (SUB FOR AH116110) |
| 7 | AH132264 | EVAPORATOR | 1 | | (SUB FOR AH130957) EVAPORATOR AND HEATER COMBINATION |
| 8 | AH128926 | MOTOR | 1 | | AC/HEATER |
| 9 | H130511 | CONNECTOR | 1 | | |
| | R78061 | PIN CONTACT | 1 | | (PKG. OF 40) |
| 10 | H114038 | SCREW | 4 | | |
| 11 | H123998 | SCREW | 1 | | |
| 12 | AH96317 | CLIP | 1 | | (SUB FOR AH89486) |
| 13 | T34067 | TERMINAL | 1 | | (PKG. OF 25) |
| 14 | R77483 | CONNECTOR | 1 | | |
| 15 | R77476 | CONNECTOR | 2 | | (PKG. OF 2) |
| 16 | R78053 | PIN CONTACT CONNECTOR BODY | 1 | | (PKG. OF 3) |
| | R78061 | PIN CONTACT | 1 | | (PKG. OF 40) |
| | T34067 | TERMINAL | 1 | | (PKG. OF 25) |
| 17 | T28586 | CONNECTOR | 1 | | |

3C17

ELECTRICAL

AIR CONDITIONER, HEATER AND AIR SEAT WIRING HARNESS

(660301-)
HP6534 -UN-23AUG96



HP6534

AIR CONDITIONER, HEATER AND AIR SEAT WIRING HARNESS - CONTINUED
(660301-)

| KEY | PART NO. | PART NAME | QTY | YEAR | REMARKS |
|-----|---------------------|----------------------------|--------|------|---|
| 1 | AH144096 24H1914 | CONTROL WASHER | 1 3 | | (INCLUDES (3) M48109 AND M82321) 3.175 X 7.925 X 0.813 MM (1/8" X 5/16" X 0.032") |
| | M80082 | NUT | 1 | | 6.350 MM (1/4") |
| 2 | AH148616 | WIRING HARNESS | 1 | | (SUB FOR AH136896) |
| 3 | 19M7862 | SCREW | 1 | | M6 X 20 |
| 4 | AH89557 | CLIP | 1 | | |
| 5 | AH144084 | SWITCH | 1 | | (SUB FOR AH116110) LOW TEMP |
| 6 | AH132264 | EVAPORATOR | 1 | | EVAPORATOR AND HEATER COMBINATION |
| 7 | AH128926 | MOTOR | 1 | | |
| 8 | H130511 | CONNECTOR | 1 | | (4 PIN) |
| | R78061 | PIN CONTACT | 1 | | (PKG OF 40) |
| 9 | H114038 | SCREW | 4 | | |
| 10 | H123998 | SCREW | 1 | | |
| 11 | AH96317 | CLIP | 1 | | (SUB FOR AH89486) |
| 12 | T34067 | TERMINAL | 1 | | (PKG OF 25) |
| 13 | R77483 | CONNECTOR | 3 | | (2 PIN) |
| 14 | R77476 | CONNECTOR | 1 | | (PKG OF 2) (3 PIN) |
| 15 | R78053 | PIN CONTACT CONNECTOR BODY | 1 | | (PKG OF 3) (2 PIN) |
| | R78061 | PIN CONTACT | 1 | | (PKG OF 40) |
| | T34067 | TERMINAL | 1 | | (PKG OF 25) |
| 16 | T28586 | CONNECTOR | 1 | | (3 PIN) |
| 17 | AH128925 | MOTOR | 1 | | PRESSURIZER |
| 18 | AM108845 | KIT | 1 | | COMPRESSOR CLUTCH, 10 AMP |

3C20

ELECTRICAL

AIR CONDITIONER THERMOSTAT KIT - CONTINUED
(630301-640300)

| KEY | PART NO. | PART NAME | QTY | SERIAL NO. | REMARKS |
|-----|----------|--------------------|-----|------------|---------|
| 1 | AH144020 | THERMOSTAT | 1 | | |
| 2 | AH144019 | WIRING HARNESS | 1 | | |
| 3 | AH144084 | SWITCH | 1 | | |
| 4 | H123998 | SCREW | 2 | | |
| 5 | H150099 | SPRING LOCKING PIN | 1 | | |
| 6 | AH144338 | KIT | 1 | | |

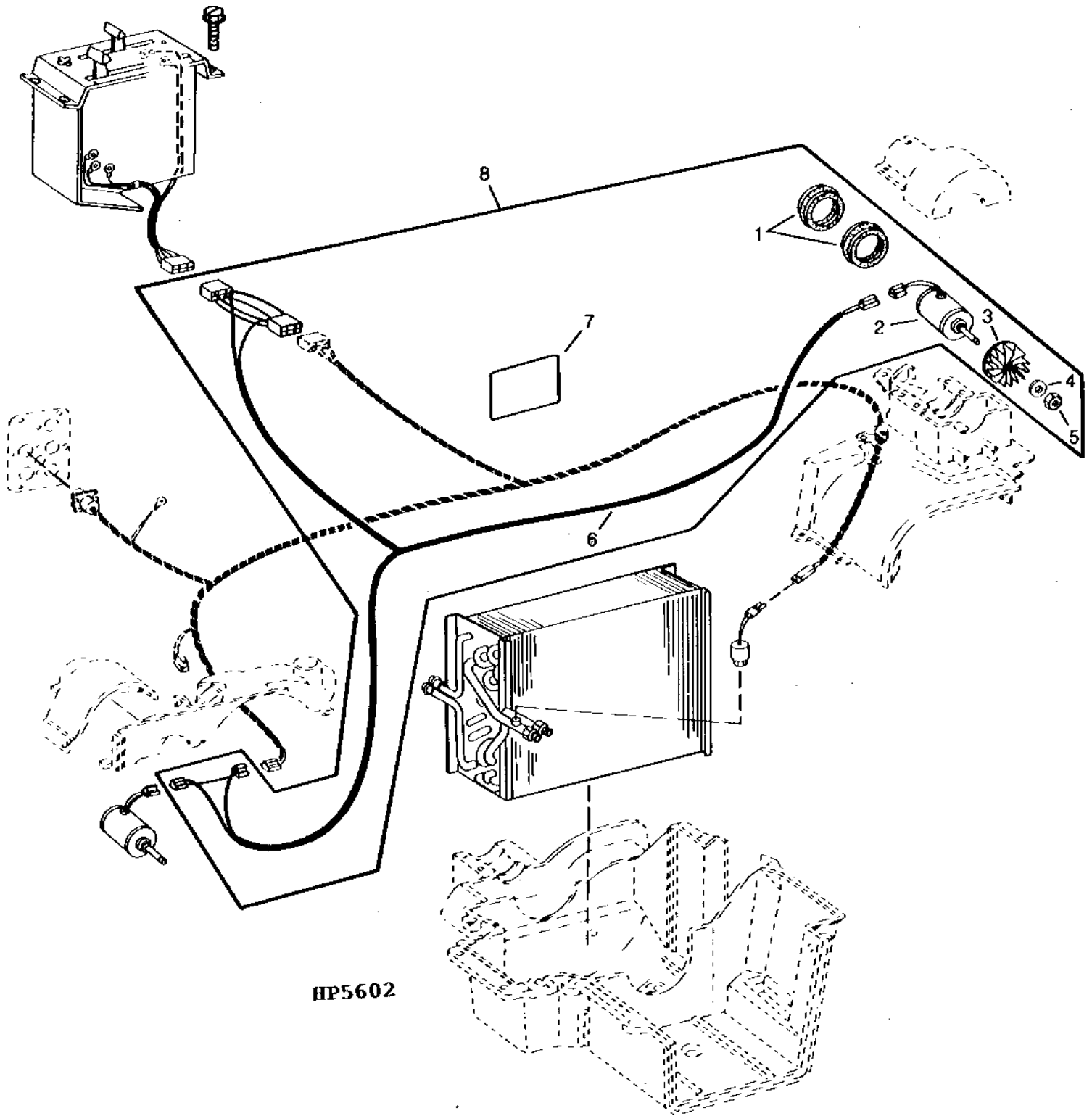
3C21

ELECTRICAL

AIR CONDITIONER PRESSURIZER FAN KIT

(640301-650300)

HP5602 -UN-01JAN94

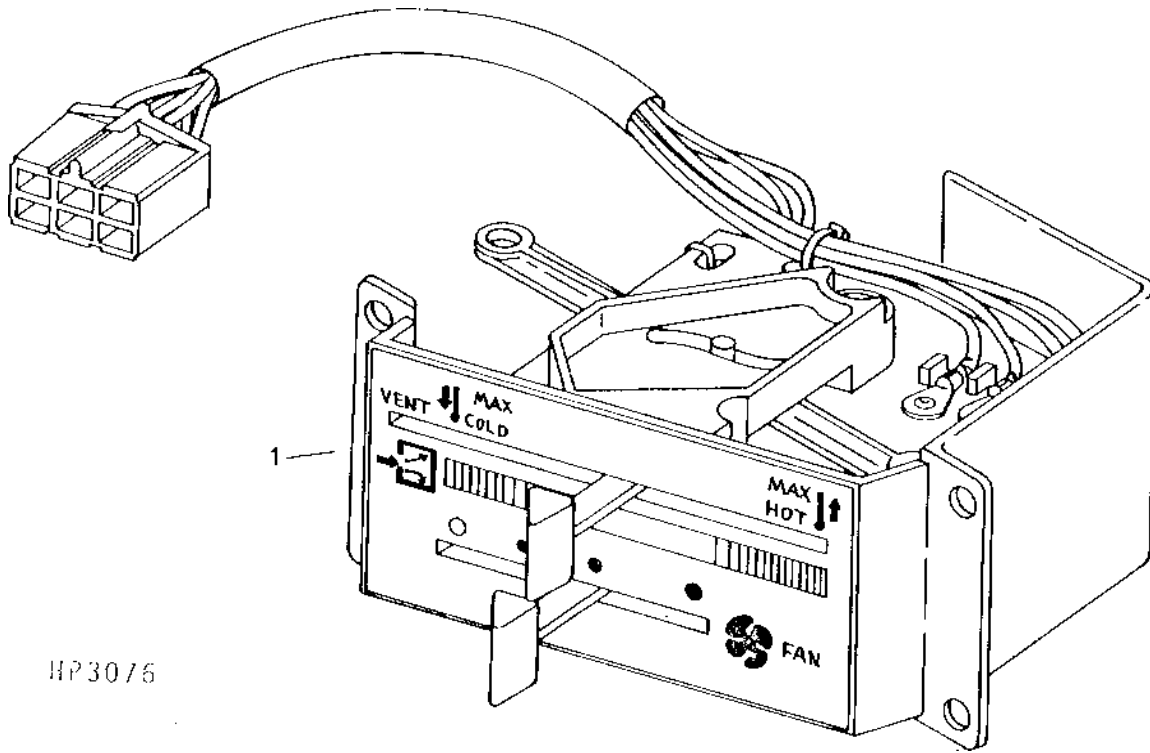


HP5602

AIR CONDITIONER PRESSURIZER FAN KIT - CONTINUED
(640301-650300)

| KEY | PART NO. | PART NAME | QTY | SERIAL NO. | REMARKS |
|-----|----------|----------------|-----|------------|----------------------|
| 1 | H115521 | ISOLATOR | 2 | | |
| 2 | AH128925 | MOTOR | 1 | | |
| | H129887 | ISOLATOR | 1 | | (USE WITH AH128925) |
| 3 | H124185 | FAN | 1 | | |
| 4 | 24M7117 | WASHER | 1 | | 4.300 X 9 X 0.800 MM |
| 5 | 14M7264 | LOCK NUT | 1 | | M4 |
| 6 | AH144044 | WIRING HARNESS | 1 | | |
| 7 | H150119 | LABEL | 1 | | |
| 8 | AH144339 | KIT | 1 | | |

AIR CONDITIONER AND HEATER SWITCH
 HP3076 -UN-01JAN94



HP3076

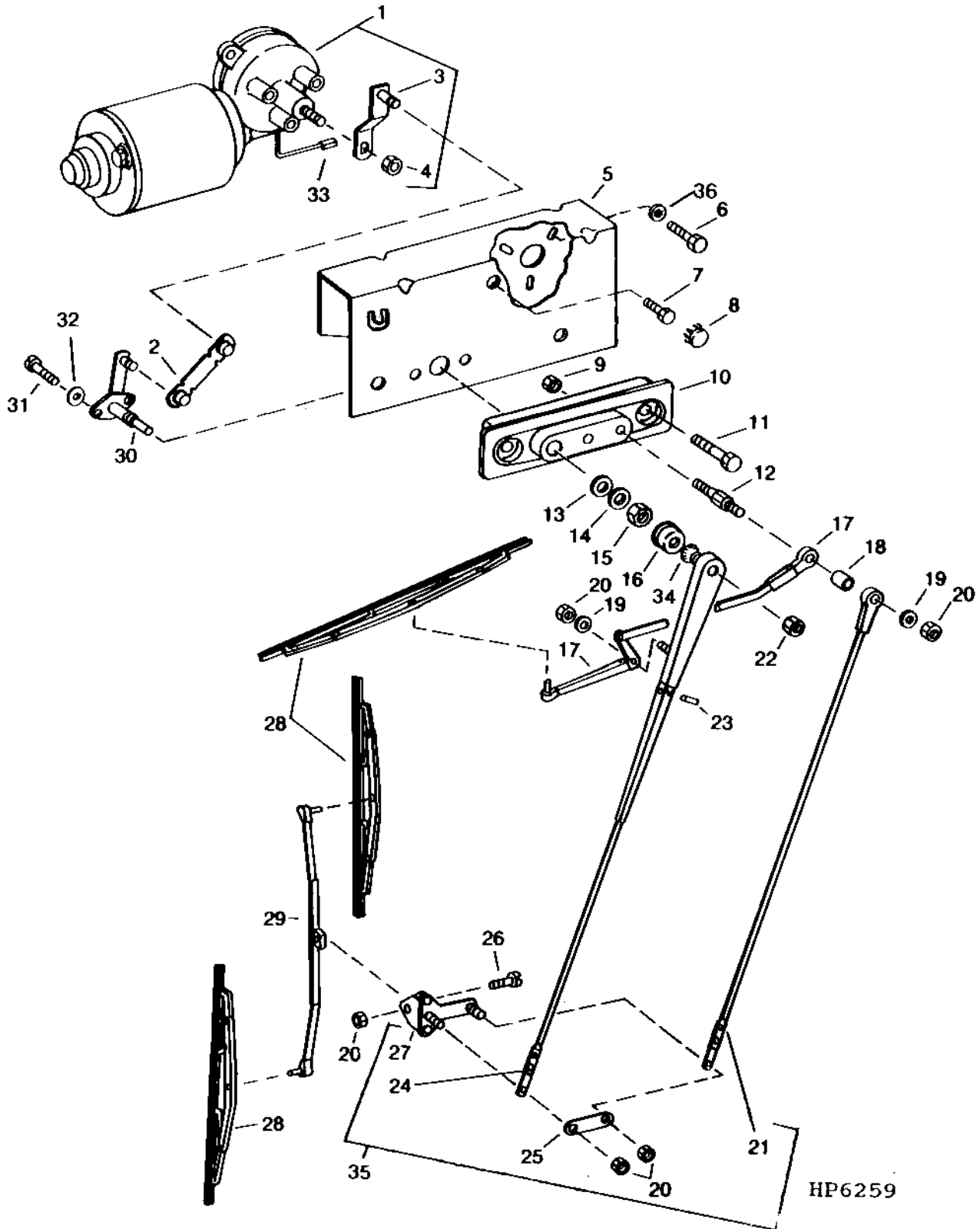
| KEY | PART NO. | PART NAME | QTY | SERIAL NO. | REMARKS |
|-----|----------|-----------|-----|------------|--------------------------------|
| 1 | AH144096 | CONTROL | 1 | | (SUB FOR AH118796 OR AH140169) |

MEMORANDA

3C24

ELECTRICAL

WINDSHIELD WIPER (OPT. LONG)
HP6259 -UN-09JAN96



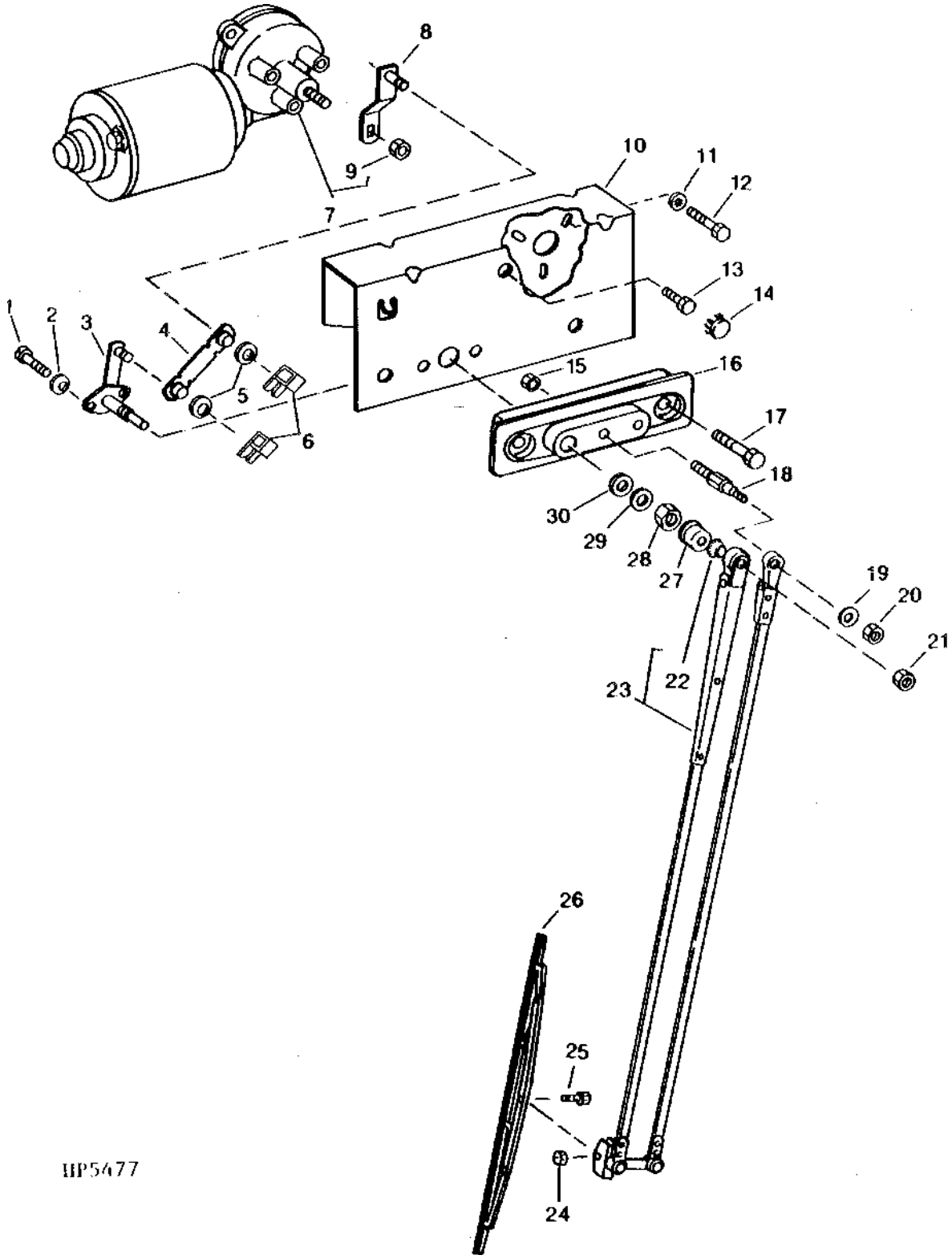
WINDSHIELD WIPER (OPT. LONG) - CONTINUED

| KEY | PART NO. | PART NAME | QTY | SERIAL NO. | REMARKS |
|-----|----------------|------------------------------------|----------|---|---------|
| 1 | AH149835 | MOTOR | 1 | (SUB FOR AH123900) | |
| 2 | AH123902 | LINK | 1 | | |
| 3 | AH149834 | CRANK | 1 | (SUB FOR AH123901) | |
| 4 | E64256 | LOCK NUT | AR | M8 | |
| 5 | AH154278 | BRACKET | 1 | (SUB FOR H128819) | |
| 6 | 19M7774 | SCREW | 3 | M6 X 12 | |
| 7 | 19M7865 | SCREW | AR | M8 X 16 | |
| 8 | R34337 | PLUG | 1 | | |
| 9 | 14M7303 | FLANGE NUT | AR | M6 | |
| 10 | H128820 | SUPPORT | 1 | | |
| 11 | 19M8317 | SCREW | 2 | M8 X 40 | |
| 12 | H128821 | STUD | 1 | | |
| 13 | R63666 | WASHER | 1 | 18.288 X 28.448 X 1.524 MM (0.720" X 1.120" X 0.060") | |
| 14 | R63667 | WASHER | 1 | 18.263 X 28.575 X 1.575 MM (23/32" X 1-1/8" X 1/16") | |
| 15 | R63668 | NUT | AR | 17.475 MM (11/16") | |
| 16 | R63669 | CAP | 1 | | |
| 17 | AH123908 | WIPER ARM | 1 | | |
| 18 | H128841 | SPACER | 1 | 6.500 X 12 X 20 MM (0.256" X 0.472" X 0.787") | |
| 19 | T32255 | SHIM | AR | 0.381 MM (0.015") | |
| 20 | T531T | LOCK NUT | AR | 4.775 MM (3/16") | |
| 21 | AH123907 | ARM | 1 | | |
| 22 | F3220R | LOCK NUT | AR | 9.525 MM (3/8") | |
| 23 | | PIN | 1 | FOR SHIPPING ONLY | |
| 24 | AH123905 | ARM | 1 | | |
| 25 | H128823 | STRAP | 1 | | |
| 26 | H128859 | SCREW | AR | 4.826 X 22.280 MM (0.190" X 0.877") | |
| 27 | AH123910 | BRACKET | 1 | | |
| 28 | AH123909 | WIPER BLADE | 3 | | |
| 29 | AH123911 | WIPER ARM | 1 | | |
| 30 | AH149833 | SHAFT | 1 | (SUB FOR AH123903) | |
| 31 | 21M7265 | SCREW | 2 | M5 X 12 | |
| 32 | 12H295 | LOCK WASHER | 1 | 4.826 MM (0.190") | |
| 33 | R78053 | PIN CONTACT CONNECTOR BODY | 1 | (PKG. OF 3) | |
| | R78058 | PIN CONTACT | 1 | (PKG. OF 40) | |
| | R78063 | TERMINAL NIPPLE | 1 | (PKG. OF 40) | |
| 34 | R63670 | WELD NUT | 1 | KNURLED DRIVER | |
| 35 | AH123904 | WIPER ARM | 1 | (INCLUDES R63670) | |
| 36 | 12H356 | LOCK WASHER | 3 | 6.350 MM (1/4") | |
| .. | BH71948 | COMPLETE GOODS/SHIP. BUNDLE | 1 | LONG WIPER | |

3D1

ELECTRICAL

WINDSHIELD WIPER (SHORT)
HP5477 -UN-01JAN94



HP5477

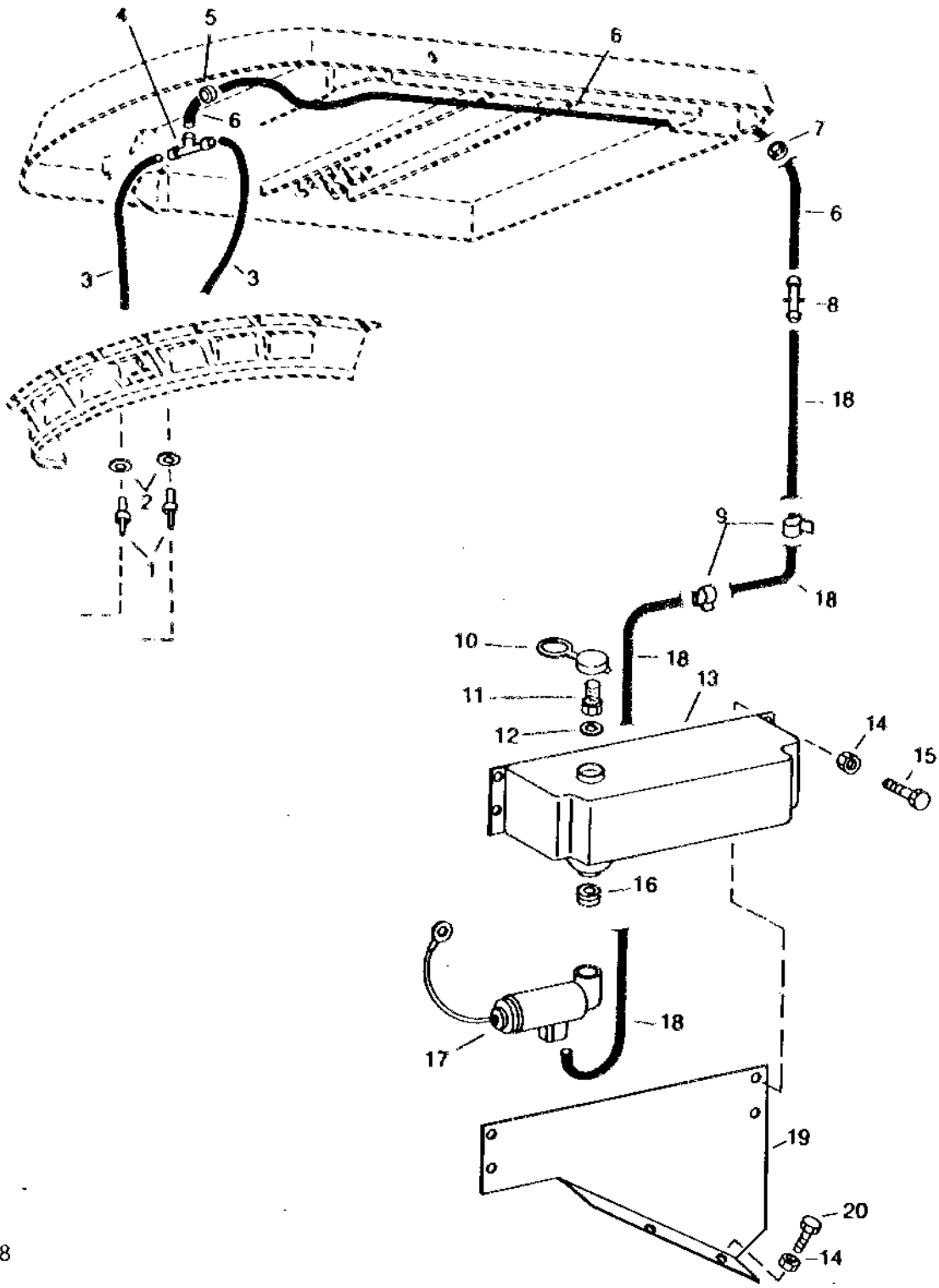
WINDSHIELD WIPER (SHORT) - CONTINUED

| KEY | PART NO. | PART NAME | QTY | SERIAL NO. | REMARKS |
|-----|----------|-------------|-----|------------|---|
| 1 | 21M7265 | SCREW | 2 | | M5 X 12 |
| 2 | 12H295 | LOCK WASHER | 2 | | 0.190" |
| 3 | AH123931 | SHAFT | 1 | | (INCLUDES U46507 AND AU43857) |
| | U46507 | PIN | 1 | | (USE WITH AH123931) |
| 4 | AU43853 | LINK | 1 | | |
| 5 | T32255 | SHIM | 2 | | 0.381 MM (0.015") |
| 6 | U46506 | CLIP | 2 | | |
| 7 | AH130421 | MOTOR | 1 | -651565 | |
| | AH143417 | MOTOR | 1 | -655995 | |
| | AT66481 | WIPER MOTOR | 1 | 655996- | |
| 8 | AT141987 | ARM | 1 | | (SUB FOR AH123934 OR AH143445) FOR USE WITH AH130421 |
| 9 | AU43857 | LOCK NUT | 1 | -655995 | 6.350 MM (1/4") |
| | N10213 | LOCK NUT | 1 | 655996- | 7.925 MM (5/16") |
| 10 | AH154278 | BRACKET | 1 | | (SUB FOR H128819) |
| 11 | 12H356 | LOCK WASHER | 3 | | 1/4" |
| 12 | 19H3138 | CAP SCREW | 3 | | 1/4" X 5/8" |
| 13 | 19M7865 | SCREW | 1 | | M8 X 16 |
| 14 | R34337 | PLUG | 1 | | |
| 15 | 14M7303 | FLANGE NUT | 1 | | M6 |
| 16 | H128820 | SUPPORT | 1 | | |
| 17 | 19M8317 | SCREW | 2 | | M8 X 40 |
| 18 | H128822 | STUD | 1 | | |
| 19 | T32255 | SHIM | 1 | | 0.381 MM (0.015") |
| 20 | T531T | LOCK NUT | 1 | | 4.775 MM (3/16") |
| 21 | F3220R | LOCK NUT | 1 | | 9.525 MM (3/8") |
| 22 | R63670 | WELD NUT | 1 | | KNURLED DRIVER |
| 23 | AH144503 | WIPER ARM | 1 | | (SUB FOR AH123932 OR AH142336) (INCLUDES R63670) |
| 24 | T35440 | LOCK NUT | 1 | | |
| 25 | H134367 | SCREW | 1 | | 3.175 X 22.200 MM (1/8" X 0.874") |
| 26 | AH123933 | WIPER BLADE | 1 | | |
| 27 | R63669 | CAP | 1 | | |
| 28 | R63668 | NUT | 1 | | 17.475 MM (11/16") |
| 29 | R63667 | WASHER | 1 | | 18.263 X 28.575 X 1.575 MM (23/32" X 1-1/8" X 1/16") |
| 30 | R63666 | WASHER | 1 | | 18.288 X 28.448 X 1.524 MM (0.720" X 1.120" X 0.060") |

3D3

ELECTRICAL

WINDSHIELD WASHER
HP3768 -UN-01JAN94



HP3768

3D4

ELECTRICAL

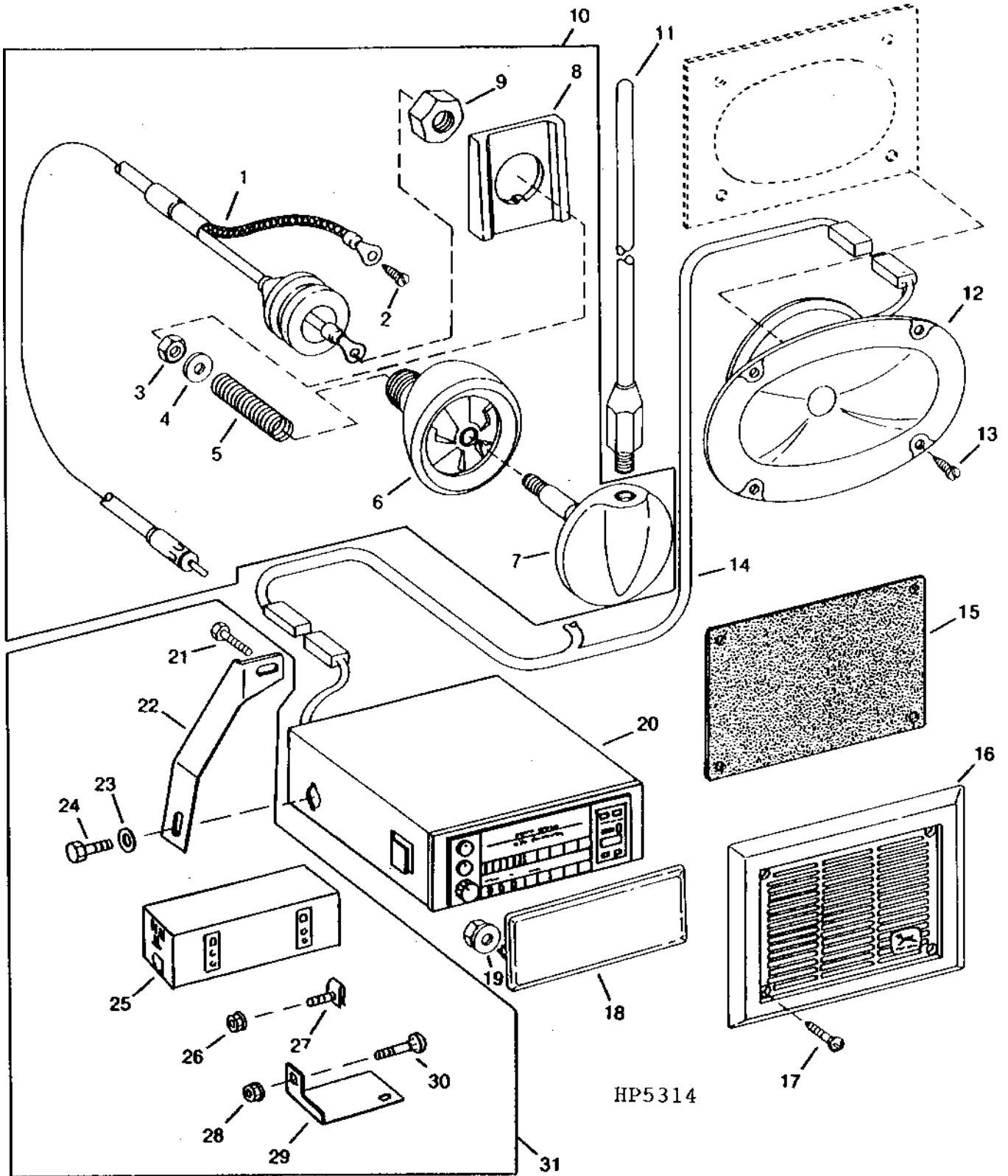
WINDSHIELD WASHER - CONTINUED

| KEY | PART NO. | PART NAME | QTY | SERIAL NO. | REMARKS |
|-----|----------------|------------------------------------|----------|------------|--|
| 1 | AR79548 | NOZZLE | 2 | | |
| 2 | H145221 | GROMMET | 2 | | (SUB FOR L1880N) |
| 3 | R54447 | HOSE | 2 | | CUT TO LENGTH AS NEEDED. |
| 4 | R64061 | TEE FITTING | 1 | | |
| 5 | M68701 | GROMMET | 1 | | |
| 6 | R104595 | BULK HOSE | 1 | | (SUB FOR H132527 OR R54445) |
| 7 | H987R | GROMMET | 1 | | |
| 8 | H132597 | FITTING | 1 | | |
| 9 | H76064 | CLIP | 2 | | |
| 10 | R64060 | CAP | 1 | | |
| 11 | AR79550 | FILTER | 1 | | |
| 12 | R64059 | WASHER | 1 | | 16.256 X 26.162 X 2.286 MM |
| 13 | R64056 | RESERVOIR | 1 | | |
| 14 | 14M7303 | FLANGE NUT | 4 | | M6 |
| 15 | 19M7775 | SCREW | 4 | | M6 X 16 |
| 16 | R64058 | GROMMET | 1 | | |
| 17 | AR79549 | PUMP | 1 | | |
| 18 | R104595 | BULK HOSE | 1 | | (SUB FOR R54445) CUT TO LENGTH AS NEEDED |
| 19 | H131595 | BRACKET | 1 | | |
| 20 | 19M7774 | SCREW | 2 | | M6 X 12 |
| .. | BH78370 | COMPLETE GOODS/SHIP. BUNDLE | 1 | | WINDSHIELD WASHER |

3D5

ELECTRICAL

RADIO, SPEAKERS AND ANTENNA (OPTIONAL)
HP5314 -UN-01JAN94



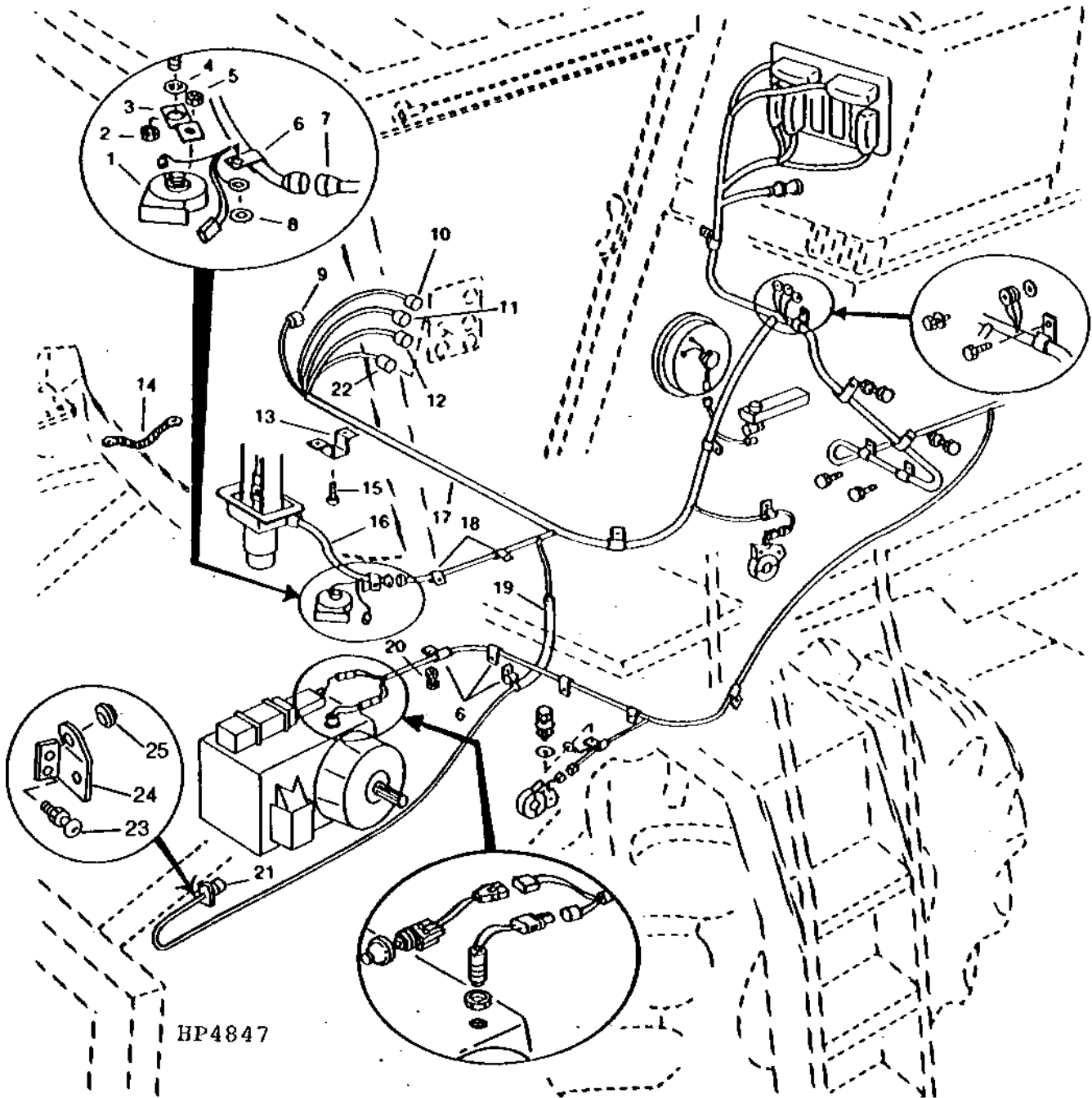
RADIO, SPEAKERS AND ANTENNA - CONTINUED

| KEY | PART NO. | PART NAME | QTY | SERIAL NO. | REMARKS |
|-----|----------|----------------|-----|---------------|---|
| 1 | AH124932 | WIRING LEAD | 1 | -642299 | (SUB AH141012) |
| 2 | 37M7089 | SCREW | 1 | | M6 X 12 |
| 3 | 14M7152 | NUT | 1 | | M10 |
| 4 | 24H1303 | WASHER | 1 | -642112 | 13/32" X 11/16" X 0.065", (SUB 24M7096) |
| | 24M7096 | WASHER | 1 | | 10.500 X 18 X 1.600 MM |
| 5 | | SPRING | 1 | | (SUB AH141012) |
| 6 | | FLANGE | 1 | | (SUB AH141012) |
| 7 | | BASE | 1 | | (SUB AH141012) |
| 8 | | SPACER | 1 | | (SUB AH141012) |
| 9 | 14M7309 | NUT | 1 | | M24 |
| 10 | AH141012 | KIT | 1 | 642300- | ANTENNA |
| 11 | AR104516 | ANTENNA | 1 | | |
| 12 | AR104520 | SPEAKER | 2 | -640300 | |
| | AH138098 | SPEAKER | 2 | 640301- | |
| 13 | 37M7215 | SCREW | 4 | | |
| 14 | AH128415 | WIRING HARNESS | 1 | | (SUB AH137927 AND AH138279 AND (2) AH138280) |
| | AH151774 | WIRING HARNESS | 1 | | (SUB FOR AH145021, AH142155, AH136466 OR AH137927) |
| 15 | H145264 | ISOLATOR | 1 | 640301- | |
| 16 | H120188 | GRILLE | 2 | -640300 | (SUB H144255) |
| | H144255 | GRILLE | 2 | | |
| 17 | 37M7100 | SCREW | 4 | | WITH OR WITHOUT RADIO |
| 18 | H132795 | PANEL | 1 | | |
| 19 | H117239 | FLANGE NUT | 2 | | 6.350 MM (1/4") LESS RADIO |
| 20 | TY15451 | KIT | 1 | -640300 | AM/FM (AH138279 AND AH138280 NEEDED TO INSTALL INTO MODEL YEAR 1991 AND ABOVE) |
| | PM9000 | RADIO | 1 | -640300 | AH138279 AND AH138280 NEEDED TO INSTALL INTO MODEL YEAR 1991 AND ABOVE |
| | TY15452 | KIT | 1 | -640300 | AH138279 AND AH138280 NEEDED TO INSTALL INTO MODEL YEAR 1991 AND ABOVE |
| | PM9200 | RADIO | 1 | -640300 | AH138279 AND AH138280 NEEDED TO INSTALL INTO MODEL YEAR 1991 AND ABOVE |
| | AH138289 | RADIO | 1 | 640301-641944 | (SUB AH140785 AND AH140786) AM/FM RADIO WITH CASSETTE |
| | AH140785 | RADIO | 1 | -655389 | AM/FM WITH CASSETTE AND WEATHER BAND; NO LONGER AVAILABLE |
| | RE55277 | RADIO | 1 | 655390- | AM / FM WITH CASSETTE AND WEATHER BAND (NO LONGER AVAILABLE) (ORDER DIRECTLY FROM WATERLOO) |
| | AH138099 | RADIO | 1 | 640301-641944 | (SUB AH140784 AND AH140786) AM/FM RADIO (DELCO) |
| | AH140784 | RADIO | 1 | -655390 | AM/FM (DELCO); NO LONGER AVAILABLE |
| | RE55278 | RADIO | 1 | | AM / FM (DELCO) (NOT AVAILABLE FOR SERVICE - ORDER DIRECTLY FROM DELCO) |
| 21 | H114038 | SCREW | 1 | -640300 | |
| 22 | H132780 | SUPPORT | 1 | -640300 | |
| | AH140786 | KIT | 1 | 640301- | |
| | 24M7027 | WASHER | 1 | | 5.300 X 10 X 1 MM, USED ON 19M7700 CAP SCREW |
| 24 | 19M7700 | CAP SCREW | 1 | | M5 X 10, THROUGH SUPPORT INTO RADIOS AH140784 AND AH140785 |
| 25 | | SLEEVE | 1 | | (SUB AH140786) USED WITH RADIOS AH140784 AND AH140785 |
| 26 | 14M7375 | FLANGE NUT | 1 | -640300 | M5 |
| 27 | R99173 | CLIP | 1 | -640300 | (SUB AH140786) |
| | AH140786 | KIT | 1 | | |
| 28 | 14M7303 | FLANGE NUT | 1 | | M6, USED ON 03M7251 |
| 29 | | BRACKET | 1 | | (SUB AH140786) USED WITH RADIOS AH138289 AND AH138099 ONLY |
| 30 | 03M7251 | BOLT | 1 | | M6 X 12, USED WITH RADIOS AH138289 AND AH138099 ONLY, THROUGH BRACKET AND SUPPORT |
| 31 | AH140786 | KIT | 1 | | |

3D7

ELECTRICAL

L.H. MAIN WIRING HARNESS, L.H. FRONT
HP4847 -UN-01JAN94



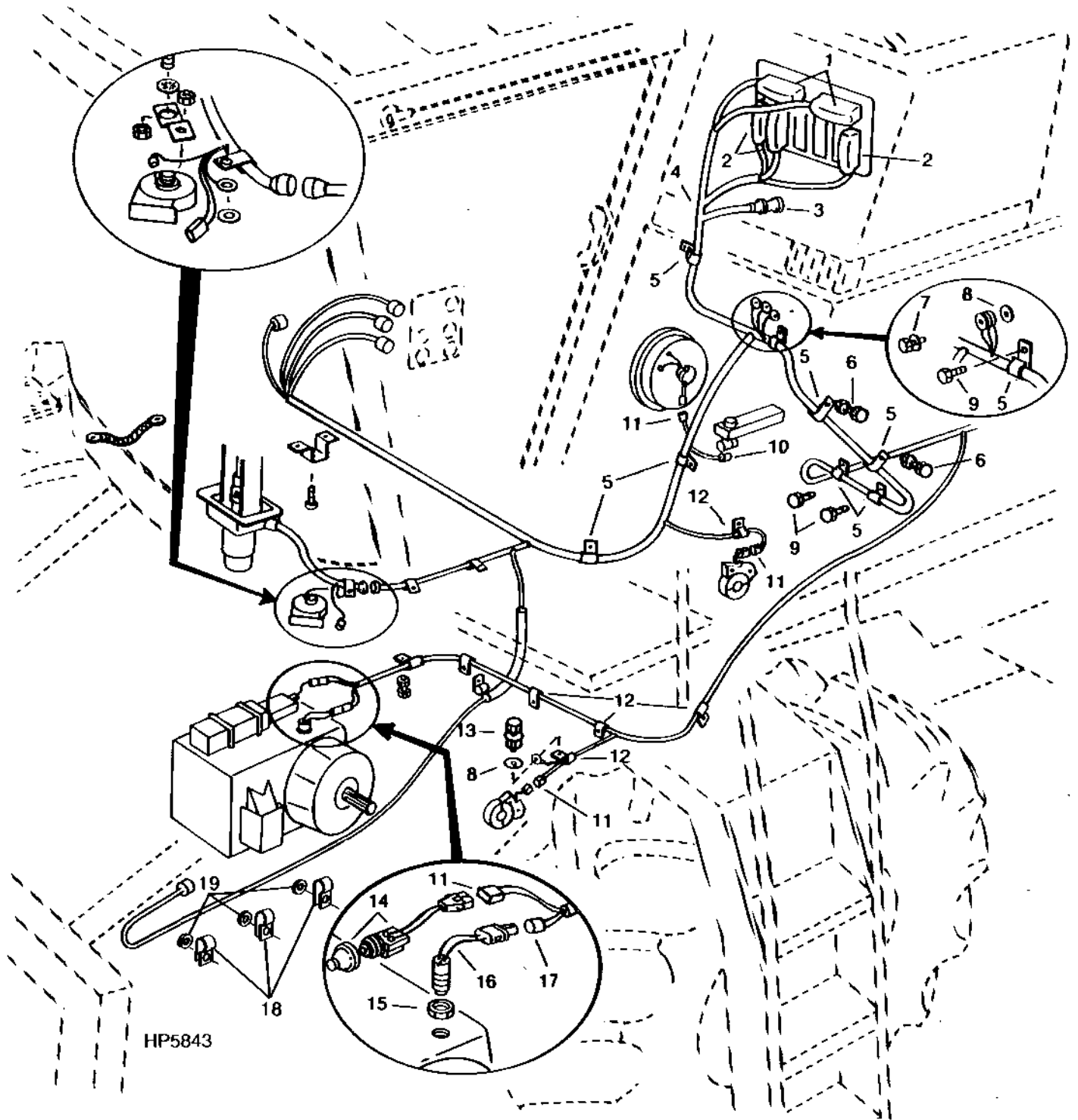
L.H. MAIN WIRING HARNESS, L.H. FRONT - CONTINUED

| KEY | PART NO. | PART NAME | QTY | SERIAL NO. | REMARKS |
|-----|----------|-----------------|-----|---------------|---|
| 1 | AT39043 | HIGH NOTE HORN | 1 | | |
| 2 | 14M7303 | FLANGE NUT | 1 | | M6 |
| 3 | H125930 | BRACKET | 1 | | |
| 4 | PT2314 | WASHER | 1 | | 6.706 MM (0.264") |
| 5 | R11278 | NUT | 1 | -670988 | 22.225 MM (7/8") |
| | 14M7303 | FLANGE NUT | 1 | 670989- | M6 |
| 6 | AH89557 | CLIP | 8 | -640300 | |
| 7 | H118426 | CONNECTOR | 1 | | 24 HOLES, FEMALE |
| | AE44930 | CONNECTOR | 1 | | |
| | R77465 | SOCKET CONTACT | AR | | |
| 8 | 24M7139 | WASHER | 1 | | 6.400 X 18 X 1.600 MM (0.252" X 0.709" X 0.063") STEERING |
| 9 | AE44931 | CONNECTOR | 1 | | |
| | AH135787 | ELECTRICAL PLUG | 1 | | |
| | H140664 | CONNECTOR | 1 | | 16 PIN CONNECTOR (MALE) TO R-H MAIN |
| 10 | R77463 | SOCKET CONTACT | AR | | TO CAB MAIN |
| | R77465 | SOCKET CONTACT | AR | | TO CAB MAIN |
| 11 | R77457 | ELECTRICAL PLUG | 1 | | 37 HOLES, (FEMALE) TO ARMREST |
| | AE44930 | CONNECTOR | 1 | | |
| | R77463 | SOCKET CONTACT | AR | | |
| 12 | AE44930 | CONNECTOR | 1 | | 16 HOLE CONNECTOR (FEMALE) TO CAB MAIN. |
| | R77465 | SOCKET CONTACT | AR | | |
| | AH135787 | ELECTRICAL PLUG | 1 | | |
| | H141325 | CONNECTOR | 1 | | |
| 13 | H131574 | RETAINER | 1 | | |
| 14 | AH125010 | GROUND CABLE | 1 | | |
| 15 | 19M7865 | SCREW | 2 | | M8 X 16, TRANSMISSION SPEED |
| 16 | AH128401 | WIRING HARNESS | 1 | -640300 | (SUB AH134225) |
| | AH134225 | WIRING HARNESS | 1 | 640301-645904 | (SUB AH134296) |
| | AH134296 | WIRING HARNESS | 1 | | |
| | AH134234 | WIRING HARNESS | 1 | -29SEP7 | (SUB FOR AH128429) (SUB AH153915) EXPORT ONLY |
| | AH153915 | WIRING HARNESS | 1 | 29SEP7- | (SUB FOR AH134234) GRAIN - FRENCH ONLY, STEERING COLUMN |
| 17 | AH134229 | WIRING HARNESS | 1 | 638116-642112 | (SUB FOR AH128406 OR AH134224) LH MAIN, ALSO REQS. ONE RE12363 |
| | AH134233 | WIRING HARNESS | 1 | -642112 | (SUB FOR AH128432) EXPORT ONLY |
| | AH145025 | WIRING HARNESS | 1 | | (SUB FOR AH134279 OR AH143902) |
| | AH148911 | WIRING HARNESS | 1 | 665301-2FEB98 | FRENCH |
| | RE12363 | CONNECTOR | 1 | | |
| | AH152443 | WIRING HARNESS | 1 | 29SEP7- | (SUB FOR AH134278, AH134295, AH143900 AND AH145022) W/O GREENSTAR |
| | AH151770 | WIRING HARNESS | 1 | 29SEP7- | W/ GREENSTAR |
| 18 | AH96317 | CLIP | 2 | | |
| 19 | H132800 | HOSE | 1 | | SLEEVE FOR PROTECTION |
| 20 | 03M7221 | BOLT | 1 | | M6 X 16 |
| | 14M7303 | FLANGE NUT | 1 | | M6 |
| 21 | AH135787 | ELECTRICAL PLUG | 1 | | 16 PIN CONNECTOR |
| 22 | H141325 | CONNECTOR | 1 | | 16 PIN CONNECTOR |
| 23 | 03M7183 | BOLT | 1 | | M8 X 16 |
| | 14M7298 | FLANGE NUT | 1 | | M8 |
| 24 | H134417 | BRACKET | 1 | | |
| 25 | H130520 | CAP | 1 | -645904 | (SUB H146306) |
| | H146306 | PLUG | 1 | | |

3D9

ELECTRICAL

L.H. MAIN WIRING HARNESS, L.H. FRONT
HP5843 -UN-15OCT94



3D10

ELECTRICAL

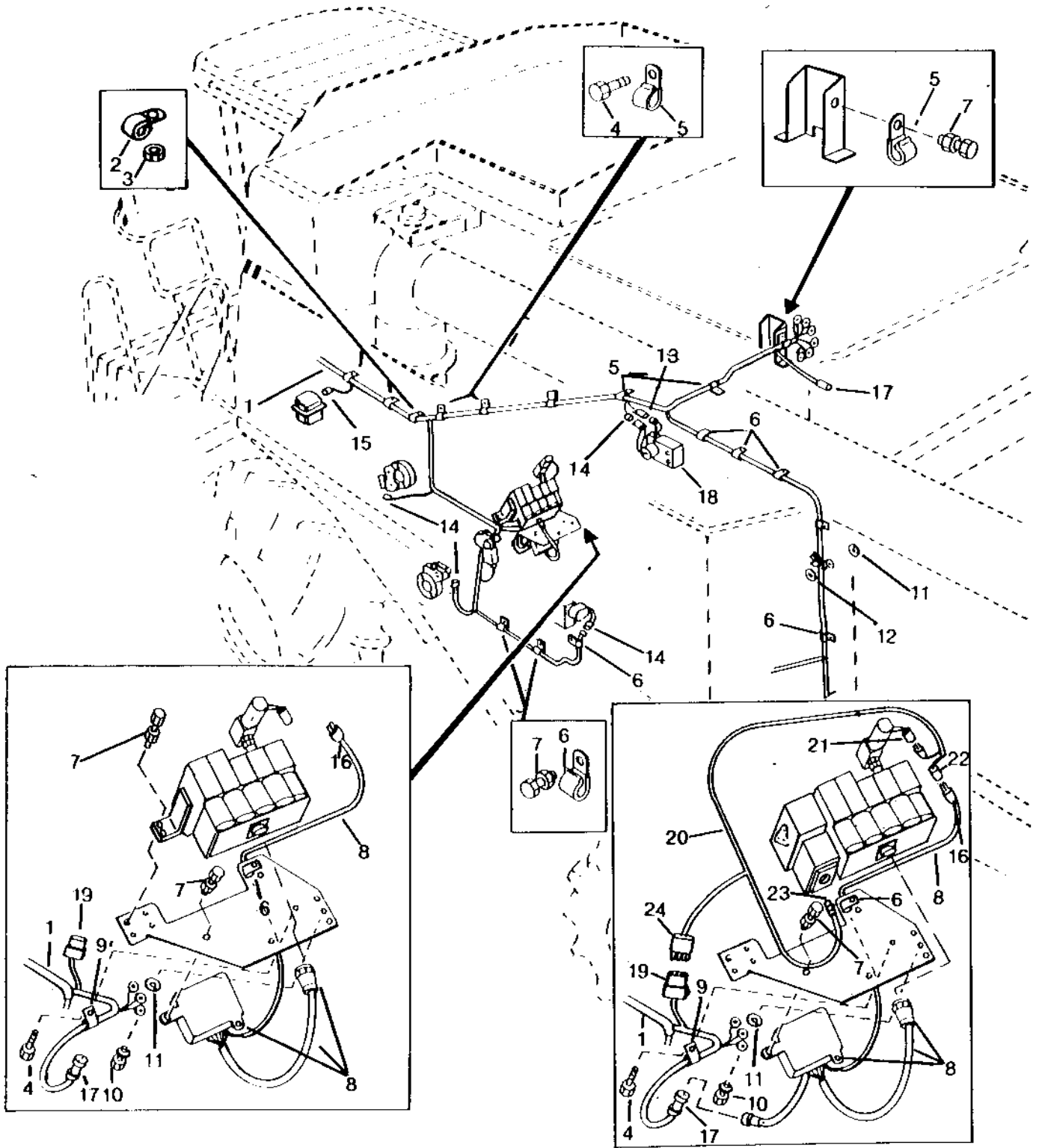
L.H. MAIN WIRING HARNESS, L.H. FRONT - CONTINUED

| KEY | PART NO. | PART NAME | QTY | SERIAL NO. | REMARKS |
|-----|----------|----------------------------|-----|---------------|---|
| 1 | H132513 | CONNECTOR | 1 | | 22 HOLES, FEMALE - FOR CEM |
| | H141127 | BOOT | 2 | | FOR CEM |
| | R76477 | TIE BAND | 2 | | FOR CEM, (SUB FOR (2) H141406) (SUB FOR M86436) |
| | | SOCKET CONTACT | AR | | FOR CEM - SIZE 12 - 8 USED |
| | R78065 | SOCKET CONTACT | AR | | FOR CEM - SIZE 16 - 12 USED |
| | | SOCKET CONTACT | AR | | FOR CEM - SIZE 4 - 1 USED |
| 2 | AH136356 | SCREW AND WASHER KIT | 1 | | REPAIRS TWO CONNECTORS (BOTH HALVES) |
| | H141127 | BOOT | 3 | | FOR CEM |
| | R76477 | TIE BAND | 3 | | FOR CEM, (SUB FOR (3) H141406) (SUB FOR M86436) |
| | R77463 | SOCKET CONTACT | 3 | | FOR CEM |
| | R77465 | SOCKET CONTACT | AR | | FOR CEM |
| 3 | H118427 | CONNECTOR | 1 | | 22 HOLES, MIXED |
| | R77463 | SOCKET CONTACT | AR | | |
| | R77465 | SOCKET CONTACT | AR | | |
| 4 | AH134229 | WIRING HARNESS | 1 | 640101-645100 | (ORDER RE12363) (SUB FOR AH128406 OR AH134224) LH MAIN HARNESS |
| | AH152443 | WIRING HARNESS | 1 | 29SEP7- | (SUB FOR AH134278, AH134295, AH143900 AND AH145022) W/O GREENSTAR |
| | AH151770 | WIRING HARNESS | 1 | 29SEP7- | W/ GREENSTAR |
| 5 | AH117301 | CLAMP | 8 | | |
| 6 | 19M7865 | SCREW | 2 | | M8 X 16 |
| | 14M7298 | FLANGE NUT | 2 | | M8 |
| 7 | 37M7083 | SCREW | 1 | | M8 X 12 |
| | 24M7055 | WASHER | 1 | | 8.400 X 16 X 1.600 MM |
| 8 | 12M7032 | LOCK WASHER | 2 | | 8.400 MM |
| 9 | 37M7083 | SCREW | 3 | | M8 X 12 |
| 10 | M43835 | FLAT CONNECTOR | 1 | | |
| | U46662 | TERMINAL | AR | | |
| 11 | RE12363 | CONNECTOR | 1 | | PKG OF 3 |
| | R78048 | TERMINAL NIPPLE | 1 | | PKG OF 40 |
| | R78060 | SOCKET CONTACT | 1 | | PKG OF 40 |
| 12 | AH89557 | CLIP | 5 | | |
| 13 | 37M7059 | SCREW | 1 | | M5 X 12 |
| | 24M7055 | WASHER | 1 | | 8.400 X 16 X 1.600 MM |
| | 14M7298 | FLANGE NUT | 1 | | M8 |
| 14 | AH123025 | SWITCH | 1 | -640100 | (SUB AH140605) |
| | AH140605 | SWITCH | 1 | | |
| 15 | H104418 | NUT | 1 | | |
| 16 | AH116104 | SENSOR | 1 | | TRANSMISSION SPEED |
| 17 | R78053 | PIN CONTACT CONNECTOR BODY | 1 | | PKG OF 3 |
| | R78063 | TERMINAL NIPPLE | 1 | | PKG OF 5 |
| 18 | AH89486 | CLIP | 3 | 660101-660377 | (SUB AH96317) |
| | AH96317 | CLIP | 3 | | |
| 19 | 12M7032 | LOCK WASHER | 3 | 660101- | 8.400 MM (0.331") |

3D11

ELECTRICAL

L.H. MAIN WIRING HARNESS, L.H. CENTER
HP5953 -UN-27APR95



HP5953

3D12

ELECTRICAL

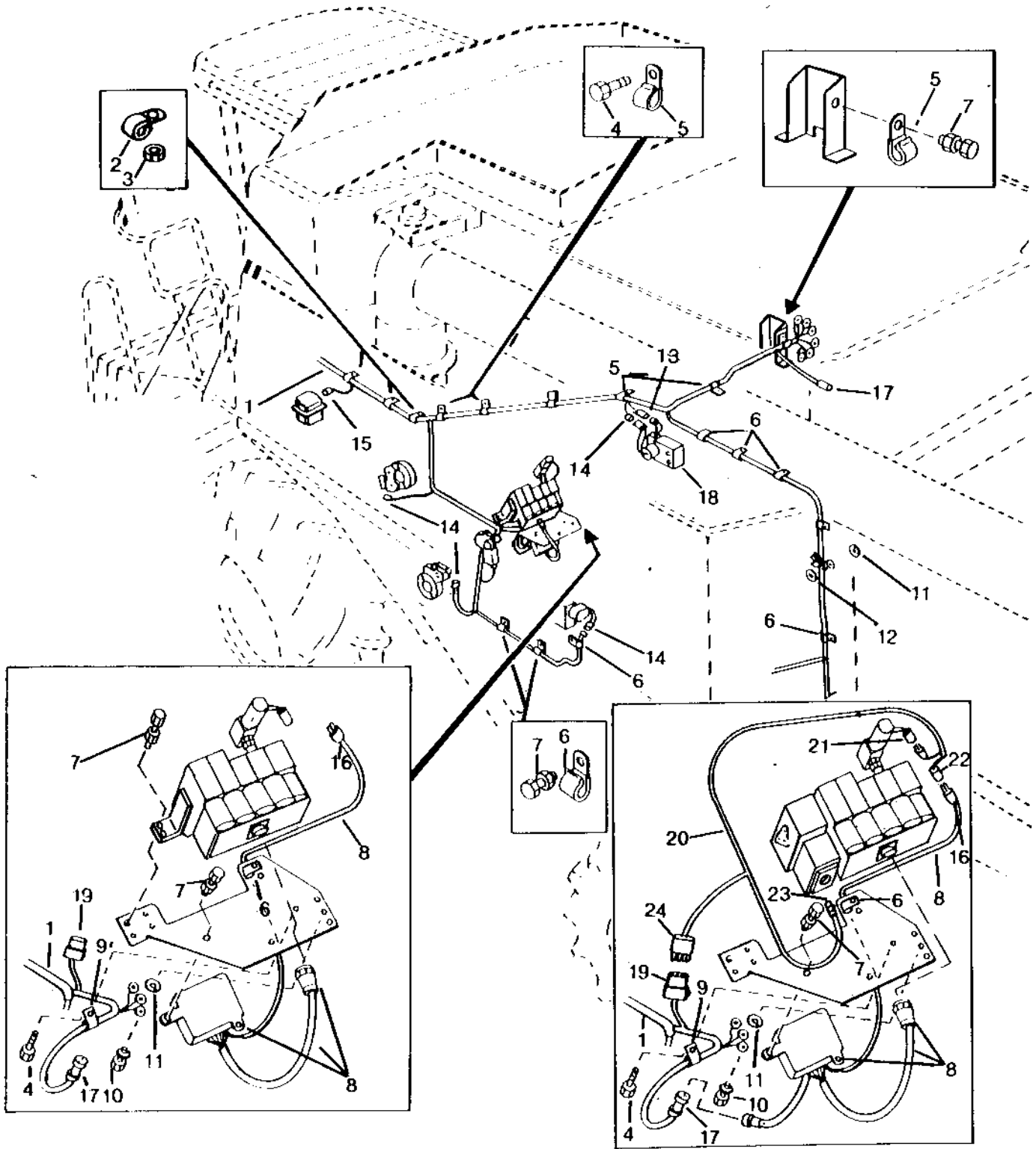
L.H. MAIN WIRING HARNESS, L.H. CENTER - CONTINUED

| KEY | PART NO. | PART NAME | QTY | SERIAL NO. | REMARKS |
|-----|----------|----------------------------|-----|---------------|---|
| 1 | AH134229 | WIRING HARNESS | 1 | 640301-645300 | (ORDER RE12363) (SUB FOR AH128406 OR AH134224) |
| | AH152443 | WIRING HARNESS | 1 | 29SEP7- | (SUB FOR AH134278, AH134295, AH143900 AND AH145022) W/O GREENSTAR |
| | AH151770 | WIRING HARNESS | 1 | 29SEP7- | W/ GREENSTAR |
| 2 | AH130222 | CLAMP | 3 | | |
| 3 | 14M7299 | FLANGE NUT | 3 | | M12 |
| 4 | 37M7083 | SCREW | 3 | | M8 X 12 |
| 5 | AH90990 | CLIP | 5 | | |
| 6 | AH89557 | CLIP | 9 | | |
| 7 | 19M7865 | SCREW | 5 | | M8 X 16 |
| | 14M7298 | FLANGE NUT | 5 | | M8 |
| 8 | AH129045 | MODULE | 1 | | (LOGIC) INCLUDES CONNECTOR AND RETAINER |
| | H118426 | CONNECTOR | 1 | | 29 PIN |
| | R77458 | CONNECTOR | 1 | | |
| 9 | AH89486 | CLIP | 1 | -662433 | (SUB AH96317) |
| | AH96317 | CLIP | 1 | | |
| 10 | 37M7083 | SCREW | 1 | | M8 X 12 |
| | 37M7058 | SCREW | 1 | | M8 X 20, (IMPORT) |
| | 24M7055 | WASHER | 1 | | 8.400 X 16 X 1.600 MM |
| 11 | 12M7032 | LOCK WASHER | 2 | | 8.400 MM |
| 12 | 24M7055 | WASHER | 1 | | 8.400 X 16 X 1.600 MM |
| 13 | R78053 | PIN CONTACT CONNECTOR BODY | 1 | | MALE, (PKG OF 3) TO PARK BRAKE SOLENOID |
| | R78063 | TERMINAL NIPPLE | 1 | | (PKG OF 40) |
| 14 | RE12363 | CONNECTOR | 1 | | LOW SHAFT SPEED MONITOR SENSORS |
| | R78048 | TERMINAL NIPPLE | 1 | | (PKG OF 5) |
| 15 | AE44392 | CONNECTOR | 1 | | 4 HOLES, FEMALE - TO REEL SPEED CONTROL MOTOR |
| | R77465 | SOCKET CONTACT | 1 | | |
| 16 | RE12363 | CONNECTOR | 1 | | (PKG OF 3) TO DIAL-A-MATIC DROP RATE SOLENOID |
| | R78048 | TERMINAL NIPPLE | 1 | | (PKG OF 5) |
| | R78060 | SOCKET CONTACT | 1 | | (PKG OF 40) |
| 17 | AH135787 | ELECTRICAL PLUG | 1 | | TO ENGINE HARNESS |
| | H141325 | CONNECTOR | 1 | | |
| 18 | AH128929 | SWITCH | 1 | | PRESSURE |
| 19 | R78055 | PIN CONTACT CONNECTOR BODY | 1 | 661262- | (PKG OF 2) |
| | R78058 | PIN CONTACT | 1 | 661262- | (PKG OF 40) (18 GA. WIRE) |
| | R78061 | PIN CONTACT | AR | 661262- | (PKG OF 40) (16 GA. WIRE) |
| | R78063 | TERMINAL NIPPLE | 1 | 661262- | (PKG OF 40) (16 GA. WIRE) (GRAY) |
| | R78059 | ELECTRICAL PLUG | 1 | 661262- | (PKG OF 40) (18 GA. WIRE) (GREEN) |

3D13

ELECTRICAL

L.H. MAIN WIRING HARNESS, L.H. CENTER - CONTINUED
HP5953 -UN-27APR95



HP5953

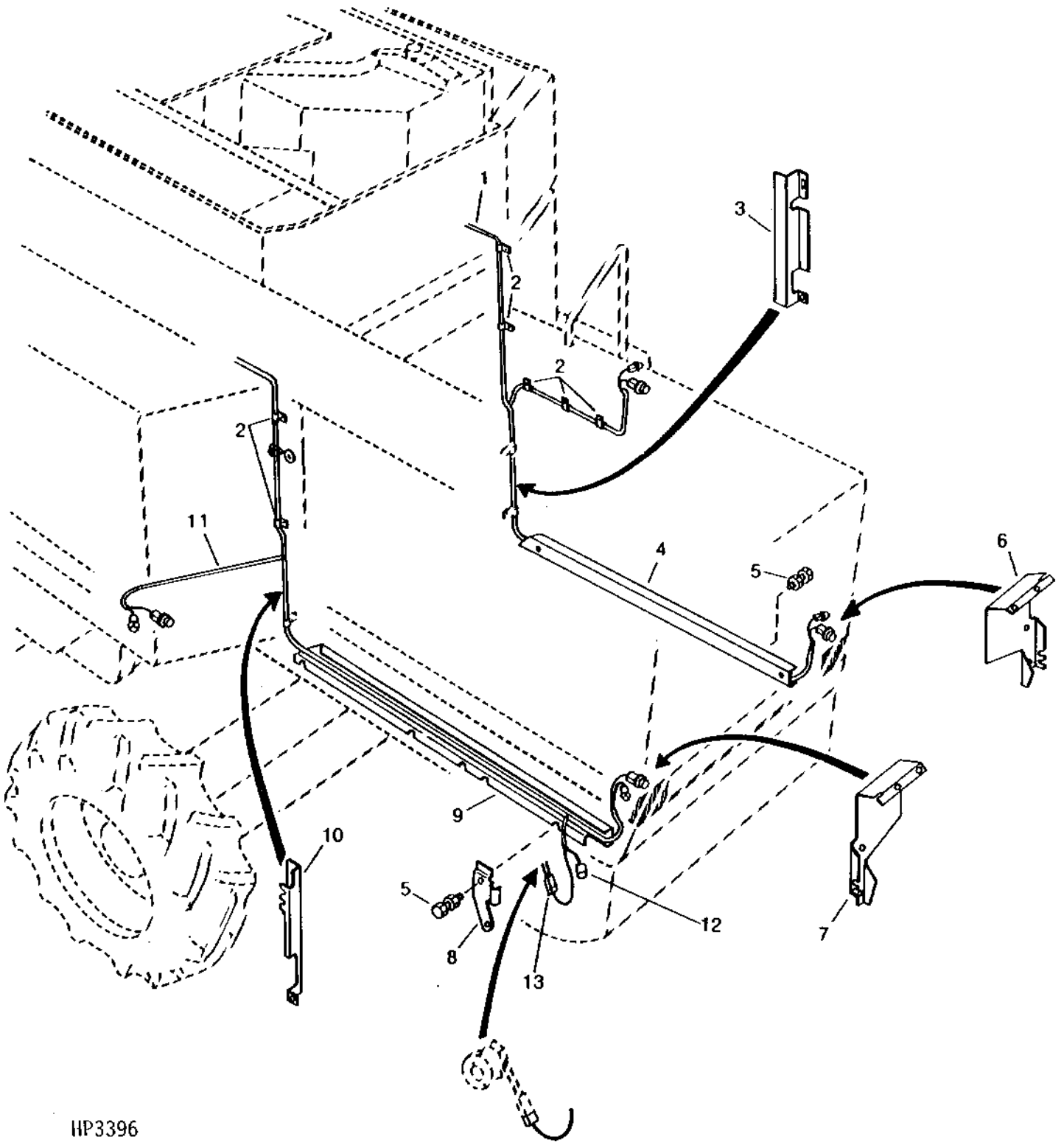
L.H. MAIN WIRING HARNESS, L.H. CENTER - CONTINUED

| KEY | PART NO. | PART NAME | QTY | SERIAL NO. | REMARKS |
|-----|----------|----------------------------|-----|------------|--------------------------------|
| 20 | AH145056 | WIRING HARNESS | 1 | 661262- | (USE WITH CONTOUR MASTER ONLY) |
| 21 | RE12363 | CONNECTOR | 1 | 661262- | (PKG OF 3) 2-PIN |
| | R78048 | TERMINAL NIPPLE | 1 | 661262- | (PKG OF 5) |
| | R78060 | SOCKET CONTACT | AR | 661262- | (PKG OF 40) (16 GA. WIRE) |
| | R78063 | TERMINAL NIPPLE | AR | 661262- | (PKG OF 40) |
| 22 | RE12364 | SOCKET CONT.CONNECTOR BODY | 1 | 661262- | (PKG OF 3) 2-PIN |
| | R78049 | SEAL | 1 | 661262- | (PKG OF 5) |
| | R78060 | SOCKET CONTACT | 2 | 661262- | (PKG OF 40) |
| | R78063 | TERMINAL NIPPLE | 2 | 661262- | (PKG OF 40) |
| 23 | AE44392 | CONNECTOR | 1 | 661262- | TO TILT VALVE (4-PIN) |
| 24 | RE12365 | CONNECTOR | 1 | 661262- | (PKG OF 2) 4-PIN |
| | R78050 | SEAL | 1 | 661262- | (PKG OF 5) |
| | R78060 | SOCKET CONTACT | AR | 661262- | (PKG OF 40) |
| | R78063 | TERMINAL NIPPLE | 2 | 661262- | (PKG OF 40) |

3D15

ELECTRICAL

L.H. AND R.H. MAIN WIRING HARNESS, L.H. AND R.H. REAR
HP3396 -UN-01JAN94



HP3396

3D16

ELECTRICAL

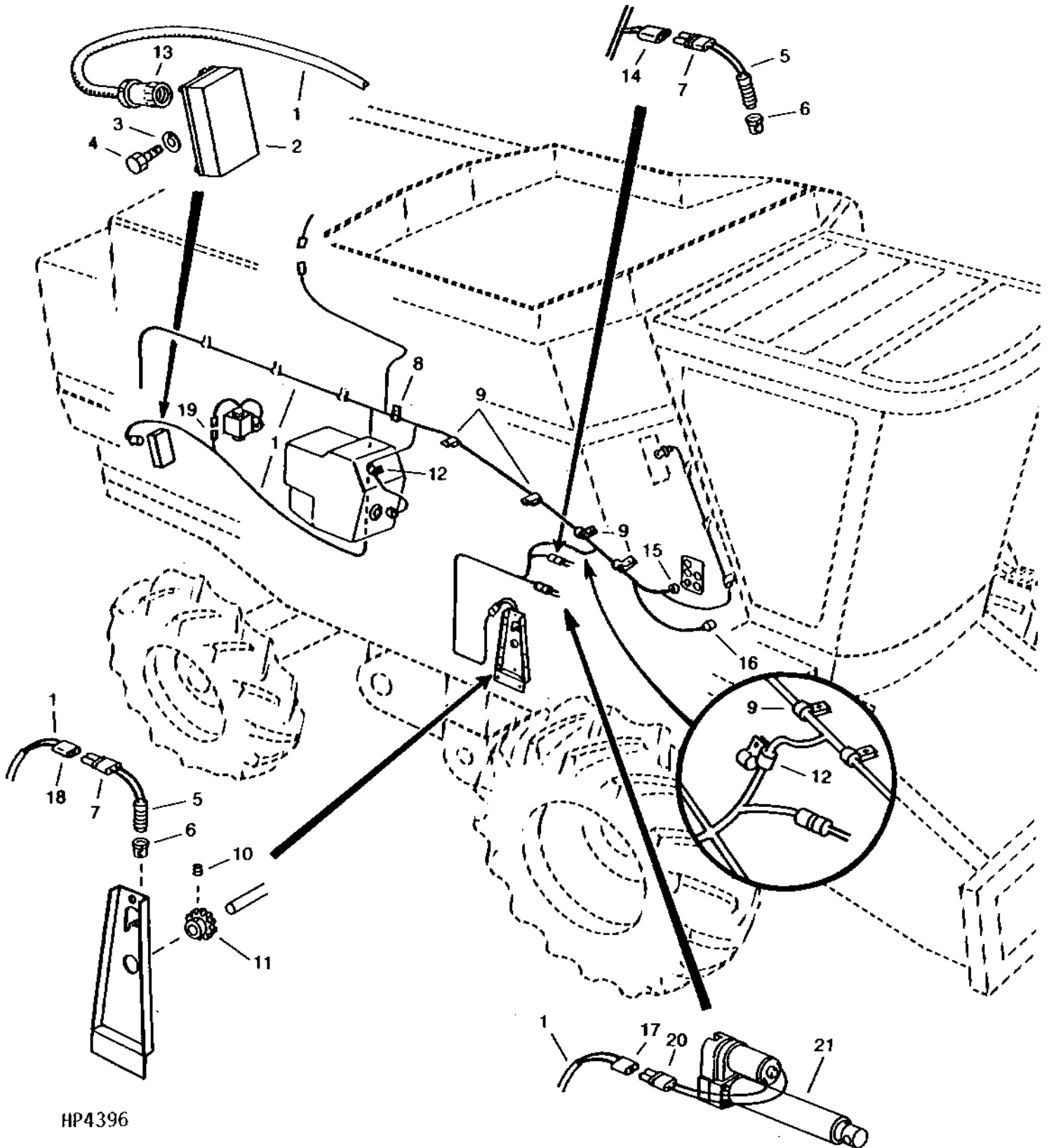
L.H. AND R.H. MAIN WIRING HARNESS, L.H. AND R.H. REAR - CONTINUED

| KEY | PART NO. | PART NAME | QTY | SERIAL NO. | REMARKS |
|-----|----------|----------------------------|-----|---------------|---|
| 1 | AH128418 | WIRING HARNESS | 1 | -640300 | R.H. MAIN |
| | AH134231 | WIRING HARNESS | 1 | 29SEP7- | R.H. MAIN W/O GREENSTAR |
| | AH148910 | WIRING HARNESS | 1 | 665301-29SEP7 | R.H. MAIN, SERVICE ONLY |
| | AH151772 | WIRING HARNESS | 1 | 29SEP7- | R.H. MAIN W/ GREENSTAR |
| | AH155917 | WIRING HARNESS | 1 | 29SEP7- | (SUB FOR AH148910) R.H. MAIN |
| 2 | AH89557 | CLIP | 7 | | |
| 3 | H137731 | SHIELD | 1 | | R.H. |
| 4 | H131017 | SHIELD | 1 | | R.H. |
| 5 | 19M7867 | SCREW | 10 | | M8 X 25 |
| | 14M7298 | FLANGE NUT | 10 | | M8 |
| 6 | H134171 | SHIELD | 1 | | R.H. |
| 7 | H134172 | SHIELD | 1 | | L.H. |
| 8 | H134831 | RETAINER | 1 | -635465 | |
| | AH89557 | CLIP | 1 | 635466- | |
| | 37M7092 | SCREW | 1 | 635466-640300 | M8 X 16 |
| | 37M7058 | SCREW | 1 | 640301- | M8 X 20 |
| 9 | H137303 | SHIELD | 1 | -640300 | L.H. (SUB H144013) |
| | H144013 | SHIELD | 1 | | |
| 10 | H137732 | SHIELD | 1 | -640300 | |
| | H143462 | SHIELD | 1 | 640301- | |
| 11 | AH134229 | WIRING HARNESS | 1 | 640301-645300 | (SUB FOR AH128406 OR AH134224) LH MAIN HARNESS, ALSO REQS. ONE RE12363 |
| | AH152443 | WIRING HARNESS | 1 | 29SEP7- | (SUB FOR AH134278, AH134295, AH143900 AND AH145022) L.H. MAIN W/O GREENSTAR |
| | AH151770 | WIRING HARNESS | 1 | 29SEP7- | L.H. MAIN W/ GREENSTAR |
| 12 | R78053 | PIN CONTACT CONNECTOR BODY | 1 | | (PKG OF 3), BUILT IN CHOPPER GROUND |
| | R78063 | TERMINAL NIPPLE | 1 | | (PKG OF 40) |
| 13 | RE12363 | CONNECTOR | 1 | | (PKG OF 3) TO STRAW CHOPPER SENSOR |
| | R78048 | TERMINAL NIPPLE | 1 | | (PKG OF 5) |
| .. | AH140120 | KIT | 1 | | |

3D17

ELECTRICAL

R.H. MAIN WIRING HARNESS
HP4396 -UN-01JAN94



HP4396

R.H. MAIN WIRING HARNESS - CONTINUED

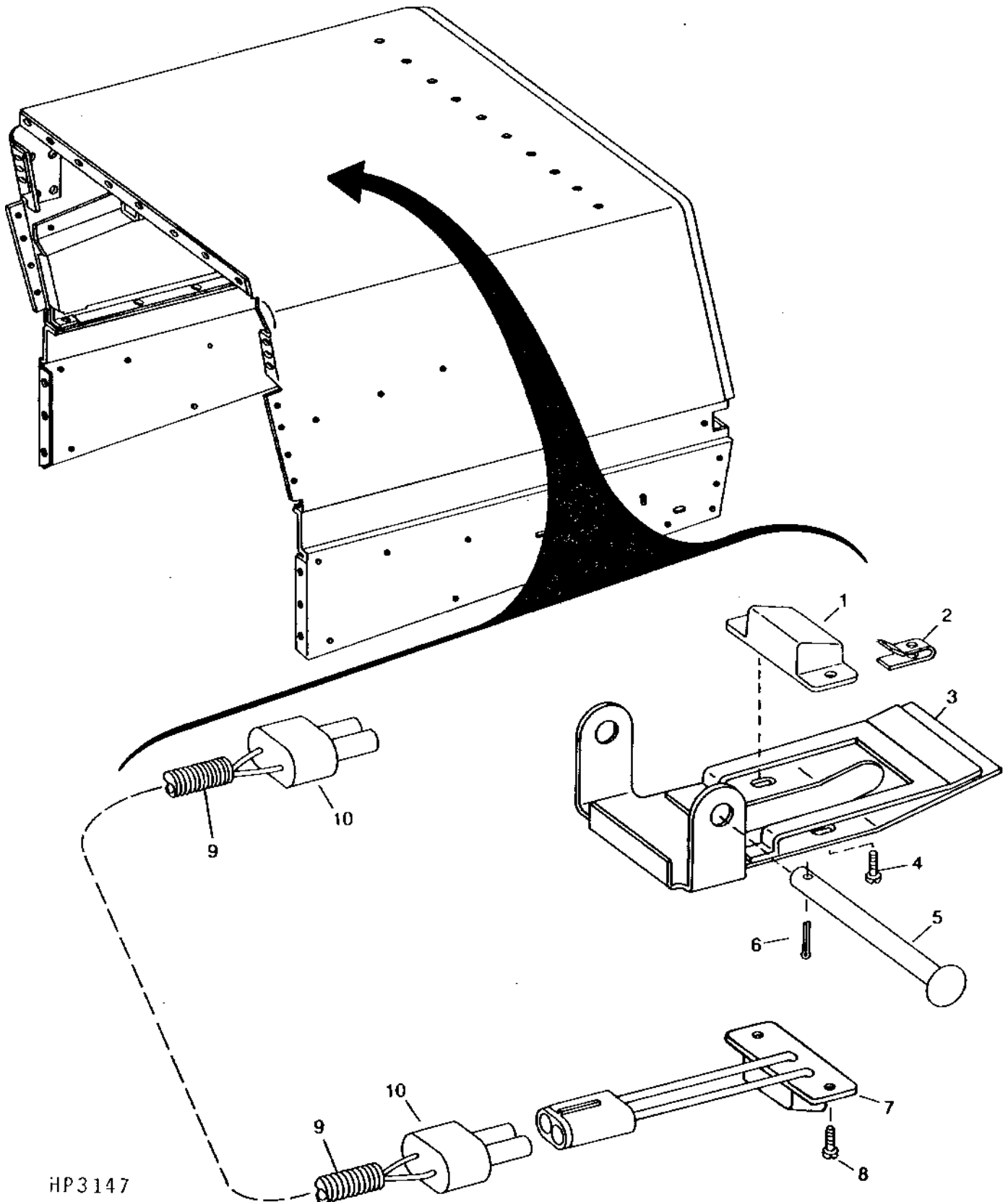
| KEY | PART NO. | PART NAME | QTY | SERIAL NO. | REMARKS |
|-----|----------|----------------------------|-----|---------------|--|
| 1 | AH128418 | WIRING HARNESS | 1 | -640300 | |
| | AH134231 | WIRING HARNESS | 1 | -29SE97 | R.H. MAIN W/O GREENSTAR |
| | AH128433 | WIRING HARNESS | 1 | -640300 | FRENCH |
| | AH134249 | WIRING HARNESS | 1 | 640301-666220 | R.H. MAIN, FRENCH |
| | AH148910 | WIRING HARNESS | 1 | 666221-29SE97 | (SUB FOR AH134249) R.H. MAIN FRENCH,SERVICE ONLY |
| | AH151772 | WIRING HARNESS | 1 | 29SE97- | R.H. MAIN, W/ GREENSTAR |
| | AH155917 | WIRING HARNESS | 1 | 29SE97- | (SUB FOR AH148910) R.H. MAIN |
| 2 | AH125744 | RELAY MODULE | 1 | | HARVESTRAK |
| 3 | 12H310 | LOCK WASHER | 1 | | 3/8" |
| 4 | 37M7058 | SCREW | 1 | | M8 X 20 |
| 5 | AH116104 | SENSOR | 2 | | LOW SHAFT SPEED - CYLINDER ON TOP OF ART, FAN ON BOTTOM OF ART (SUB H160880) |
| 6 | H121110 | CLIP | 2 | | |
| | H160880 | CLIP | 2 | | |
| 7 | RE12363 | CONNECTOR | 1 | | (PKG OF 3) |
| | R78048 | TERMINAL NIPPLE | 1 | | (PKG OF 5) |
| | R78060 | SOCKET CONTACT | 2 | | (PKG OF 40) |
| 8 | AH90990 | CLIP | 1 | | |
| 9 | H117952 | CLAMP | 6 | | |
| 10 | 22M7027 | SET SCREW | 1 | | M6 X 16 |
| 11 | H122372 | WHEEL | 1 | | LOW SHAFT SPEED FOR FAN |
| 12 | AH89557 | CLIP | 2 | | |
| 13 | AE44392 | CONNECTOR | 1 | | 4 HOLES, FEMALE (INTO PRE-AMP MODULE) |
| | R77463 | SOCKET CONTACT | AR | | |
| 14 | R78053 | PIN CONTACT CONNECTOR BODY | 1 | | (PKG OF 3) TO CYLINDER SPEED SENSOR |
| | R78063 | TERMINAL NIPPLE | 2 | | (PKG OF 40) |
| | R78058 | PIN CONTACT | 2 | | (PKG OF 40) |
| | R78059 | ELECTRICAL PLUG | 1 | | (PKG OF 40) |
| 15 | R77457 | ELECTRICAL PLUG | 1 | | 37 HOLES, FEMALE (TO CAB MAIN) |
| 16 | R77465 | SOCKET CONTACT | AR | | FOR 16 HOLE CONNECTOR (TO L-H MAIN) |
| 17 | R78053 | PIN CONTACT CONNECTOR BODY | 1 | | (PKG OF 3) (TO CONCAVE ACTUATOR) |
| | R78063 | TERMINAL NIPPLE | 2 | | (PKG OF 40) |
| | R78061 | PIN CONTACT | 2 | | (PKG OF 40) |
| 18 | R78053 | PIN CONTACT CONNECTOR BODY | 1 | | (PKG OF 3) TO FAN SPEED SENSOR |
| | R78063 | TERMINAL NIPPLE | 1 | | (PKG OF 40) |
| | R78058 | PIN CONTACT | 2 | | (PKG OF 40) |
| | R78059 | ELECTRICAL PLUG | 2 | | (PKG OF 40) |
| 19 | T28583 | RECEPTACLE CONNECTOR BODY | 1 | | INTO FUEL PUMP |
| | U46662 | TERMINAL | 1 | | |
| 20 | RE12363 | CONNECTOR | 1 | | (PKG OF 3) |
| | R78048 | TERMINAL NIPPLE | 2 | | (PKG OF 5) |
| | R78060 | SOCKET CONTACT | 2 | | (PKG OF 40) |
| 21 | AH134728 | ACTUATOR | 1 | | |

3D19

ELECTRICAL

STRAW WALKER (PLUGGING) SENSING SWITCH

HP3147 -UN-01JAN94



HP3147

STRAW WALKER (PLUGGING) SENSING SWITCH - CONTINUED

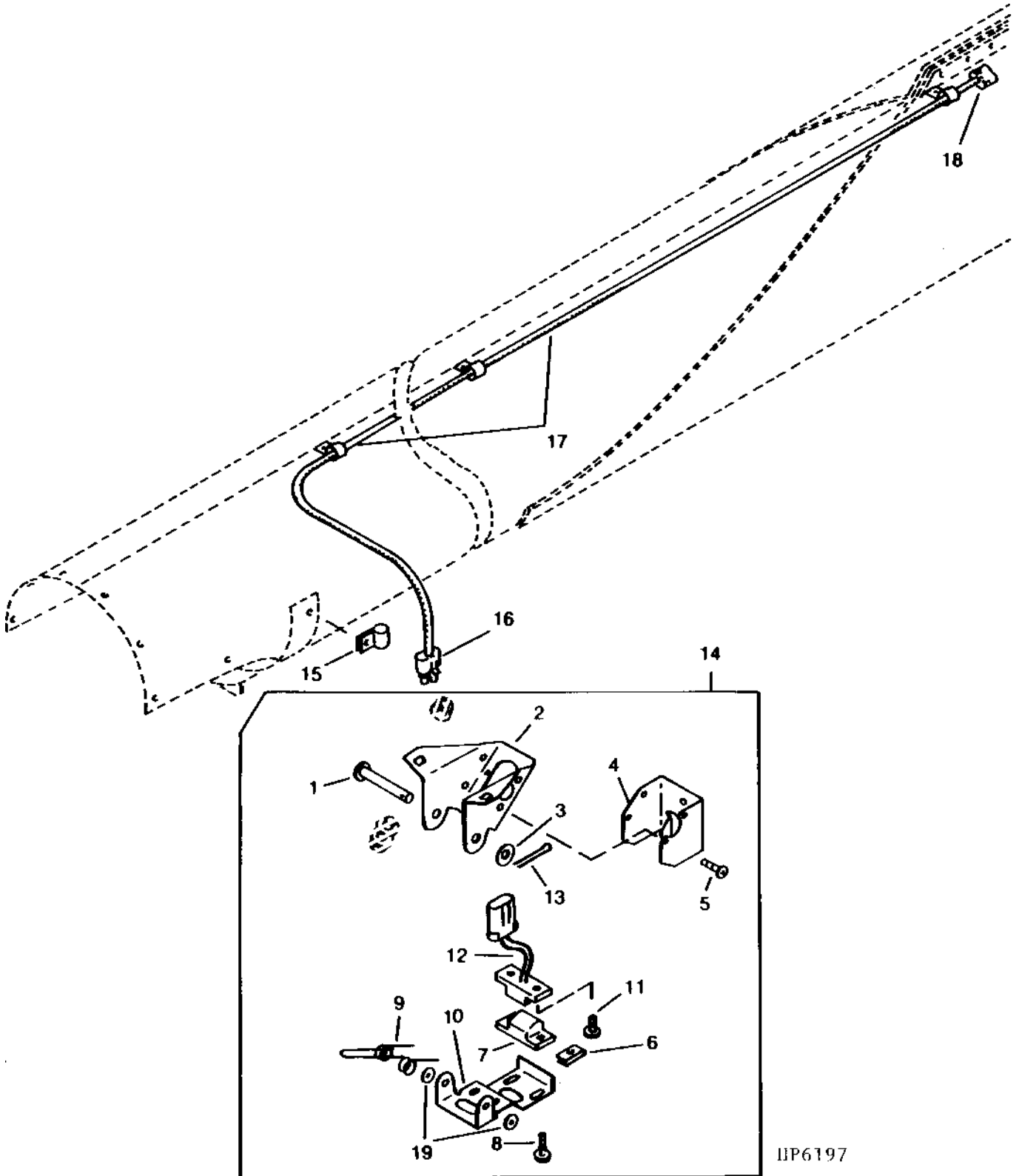
| KEY | PART NO. | PART NAME | QTY | SERIAL NO. | REMARKS |
|-----|----------|-----------------|-----|------------|---------------------------------|
| 1 | AH150473 | ACTUATOR | 1 | | (SUB FOR AH130603) |
| 2 | H140628 | NUT | 2 | | (SUB FOR H129940) |
| 3 | AH134524 | ARM | 1 | | |
| 4 | 37M7072 | SCREW | 2 | | |
| 5 | 45M7035 | PIN | 1 | | 10 X 90 MM (0.394" X 3.543") |
| 6 | 11M7012 | COTTER PIN | 1 | | 3.200 X 16 MM (0.126" X 0.630") |
| 7 | AH130602 | REED SWITCH | 1 | | |
| 8 | 37M7100 | SCREW | 2 | -640300 | |
| | 37M7215 | SCREW | 2 | 640301- | |
| 9 | AH125036 | WIRING HARNESS | 1 | | |
| 10 | RE12363 | CONNECTOR | 1 | | (PKG OF 3) |
| | R78048 | TERMINAL NIPPLE | 1 | | (PKG OF 5) |
| | R78063 | TERMINAL NIPPLE | 1 | | (PKG OF 40) |
| | R78060 | SOCKET CONTACT | 1 | | (PKG OF 40) |

3D21

ELECTRICAL

UNLOADING AUGER SENSOR AND WIRING HARNESS

(660301-)
HP6197 -UN-05OCT95



UNLOADING AUGER SENSOR AND WIRING HARNESS - CONTINUED
(660201-)

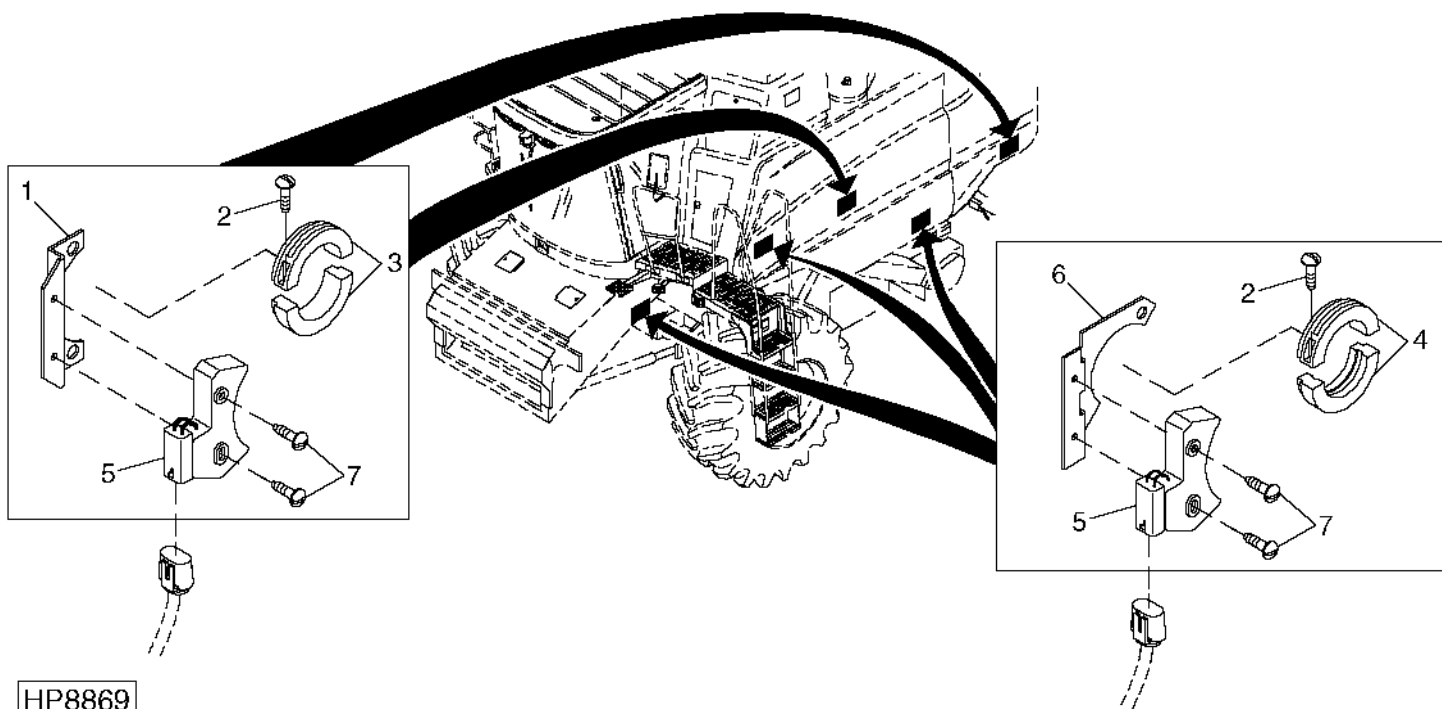
| KEY | PART NO. | PART NAME | QTY | SERIAL NO. | REMARKS |
|-----|----------|----------------------------|-----|------------|---|
| 1 | W38051 | PIN | 1 | | |
| 2 | | BRACKET | 1 | | (SUB AH145769) SENSOR |
| 3 | 24M7028 | WASHER | 1 | | 10.500 X 20 X 2 MM (0.413" X 0.787" X 0.079") |
| 4 | | COVER | 1 | | (SUB AH145769) SENSOR BRACKET |
| 5 | 37M7079 | SCREW | 4 | | M6 X 12, SELF-TAPPING |
| 6 | H140628 | NUT | 2 | | SPEED |
| 7 | AH150473 | ACTUATOR | 1 | | (SUB FOR AH130603) MAGNET |
| 8 | 37M7071 | SCREW | 2 | | SELF-TAPPING |
| 9 | H149788 | TORSION SPRING | 1 | | |
| 10 | | BRACKET | 1 | | (SUB AH145769) |
| 11 | 37M7215 | SCREW | 2 | | |
| 12 | AH130602 | REED SWITCH | 1 | | |
| 13 | 11M7012 | COTTER PIN | 1 | | 3.200 X 16 MM (0.126" X 0.630") |
| 14 | AH145769 | SENSOR | 1 | | UNLOADING AUGER |
| 15 | AH89557 | CLIP | 3 | | ONE USED WITH SOLID AUGER HOUSING, 3 USED WITH PERFORATED AUGER HOUSING. |
| 16 | RE12363 | CONNECTOR | 1 | | (PKG. OF 3) |
| | R78048 | TERMINAL NIPPLE | 1 | | |
| | R78059 | ELECTRICAL PLUG | 2 | | (PKG. OF 40) |
| 17 | AH143761 | WIRING HARNESS | 1 | | |
| 18 | R78053 | PIN CONTACT CONNECTOR BODY | 1 | | (PKG OF 3) |
| | R78058 | PIN CONTACT | 2 | | (PKG OF 40) |
| | R78059 | ELECTRICAL PLUG | 2 | | (PKG. OF 40) |
| 19 | 24M7028 | WASHER | 3 | | 10.500 X 20 X 2 MM (0.413" X 0.787" X 0.079") AS REQUIRED BETWEEN BRACKETS |

3D23

ELECTRICAL

LOW SHAFT SPEED SENSORS AND BRACKETS

HP8869 -UN-28JUL99

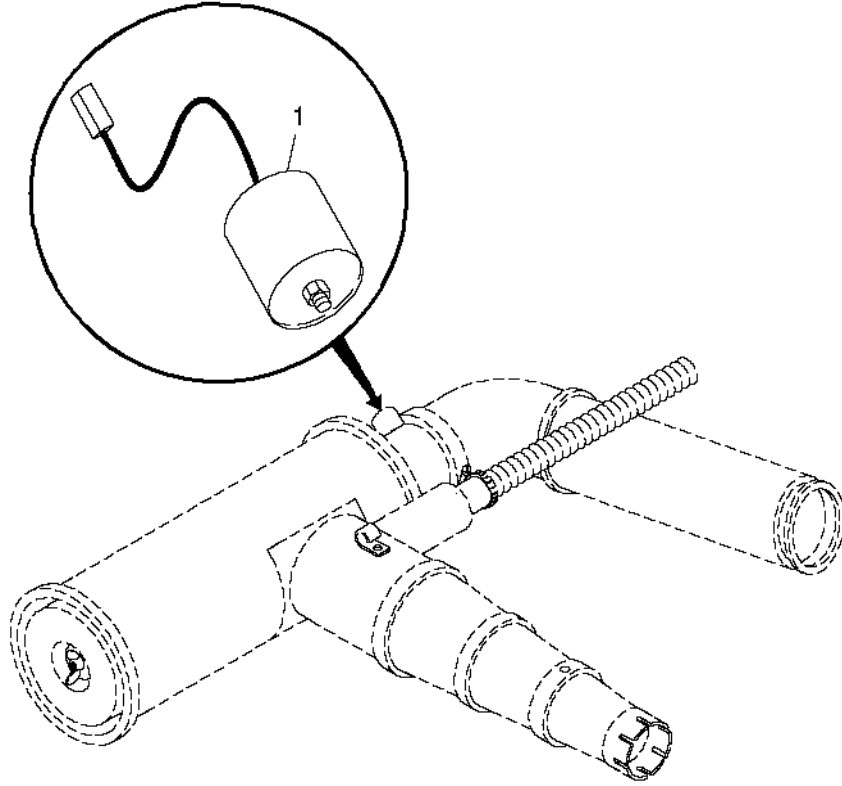


| KEY | PART NO. | PART NAME | QTY | SERIAL NO. | REMARKS |
|-----|----------|-----------|-----|---|---------|
| 1 | H148270 | BRACKET | 2 | (SUB FOR AH100012) | |
| 2 | H168924 | SCREW | 10 | | |
| | 37M7077 | SCREW | 10 | | |
| 3 | AH161839 | MAGNET | 1 | (SUB FOR H104793 OR H104794) LARGE | |
| 4 | AH161838 | MAGNET | 1 | (SUB FOR H104795 OR H104796) LARGE MAGNETIC | |
| 5 | AH131320 | SWITCH | 5 | | |
| 6 | H148271 | BRACKET | 3 | (ORDER (2) 37M7077) (SUB FOR AH100013) | |
| 7 | 37M7077 | SCREW | 10 | 4.8 X 32 MM (.1890" X 1.2598") | |

3D24

ELECTRICAL

ENGINE PLUGGED AIR FILTER WARNING SWITCH HP9338 -UN-19NOV99



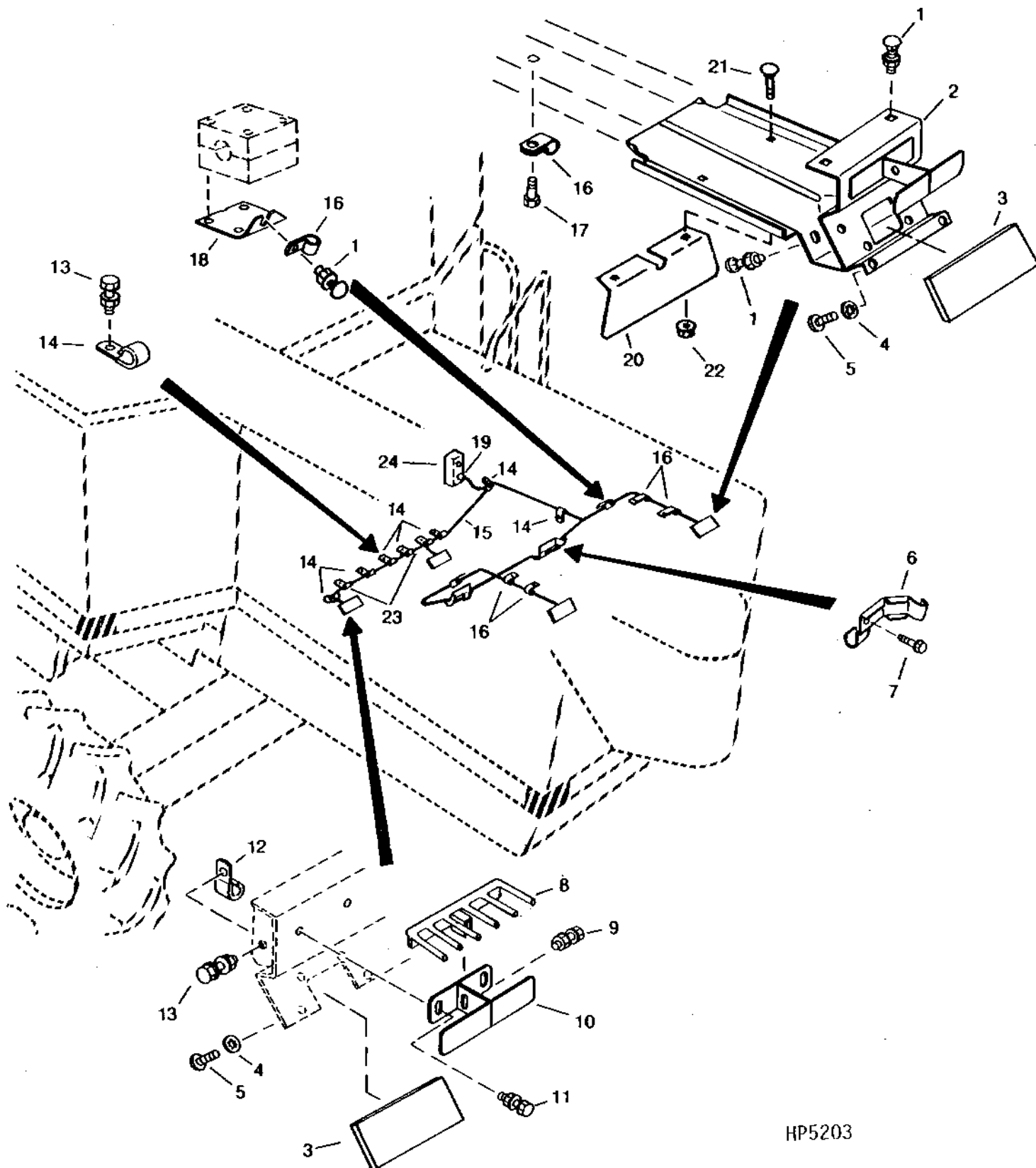
HP9338

| KEY | PART NO. | PART NAME | QTY | SERIAL NO. | REMARKS |
|-----|----------|-----------|-----|------------|---------|
| 1 | AH113292 | SWITCH | 1 | | |

3E1

ELECTRICAL

HARVESTRAK MONITOR SYSTEM AND WIRING HARNESS
HP5203 -UN-01JAN94



HP5203

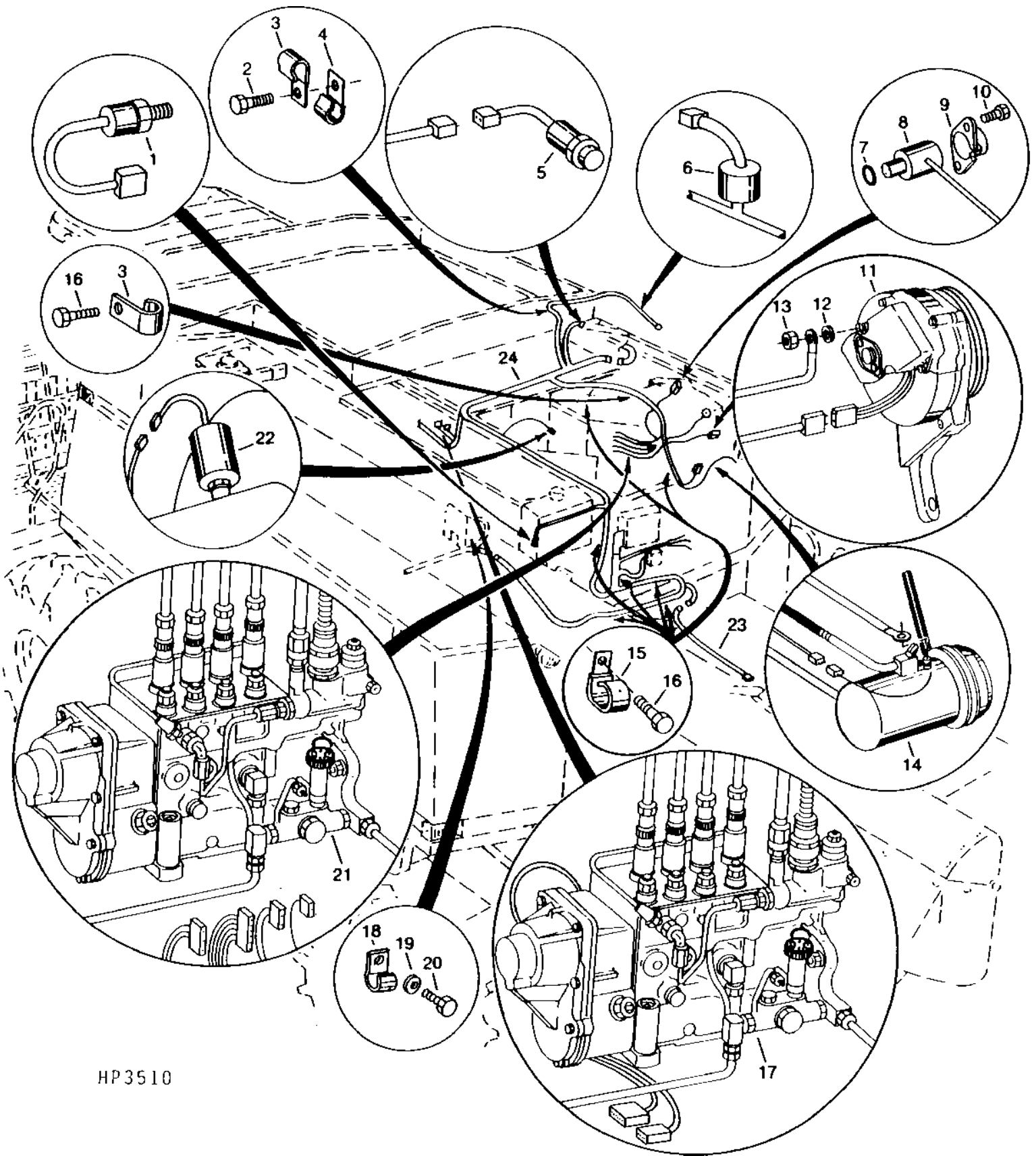
HARVESTRAK MONITOR SYSTEM AND WIRING HARNESS - CONTINUED

| KEY | PART NO. | PART NAME | QTY | SERIAL NO. | REMARKS |
|-----|----------------|------------------------------------|----------|------------|--|
| 1 | 03M7183 | BOLT | 10 | | M8 X 16 |
| | 14M7298 | FLANGE NUT | 10 | | M8 |
| 2 | AH141038 | SUPPORT | 2 | | (SUB FOR AH126555 OR AH135047) |
| 3 | AH126272 | SENSOR | 4 | | |
| 4 | 12H295 | LOCK WASHER | 16 | | 0.190", (INTERNAL TOOTH) |
| 5 | 21H1427 | SCREW | 16 | | 0.190" X 1/2" |
| 6 | H132812 | RETAINER | 1 | | R.H. |
| | H132813 | RETAINER | 1 | | L.H. |
| 7 | 37M7083 | SCREW | 2 | | M8 X 12, (SELF-TAPPING) |
| 8 | H114411 | FINGER | 2 | | |
| 9 | 19M7863 | SCREW | 2 | -641944 | M6 X 25 |
| | 19M7862 | SCREW | 2 | 645945- | M6 X 20 |
| | 14M7303 | FLANGE NUT | 2 | | M6 |
| 10 | AH125672 | DEFLECTOR | 2 | | |
| 11 | 19M7162 | CAP SCREW | 4 | -646315 | M8 X 16 |
| | 19M7865 | SCREW | 4 | 646316- | M8 X 16 |
| | 14M7298 | FLANGE NUT | 4 | | M8 |
| 12 | T74410 | CLAMP | 2 | | |
| 13 | 19M7865 | SCREW | 8 | | M8 X 16 |
| | 14M7298 | FLANGE NUT | 8 | | M8 |
| | 19M7865 | SCREW | 9 | | M8 X 16 |
| | 14M7298 | FLANGE NUT | 9 | | M8 |
| 14 | AH89557 | CLIP | 6 | | |
| | AH89557 | CLIP | 7 | | |
| 15 | AH134256 | WIRING HARNESS | 1 | | (SUB FOR AH128421) |
| | R78063 | TERMINAL NIPPLE | 8 | 652402- | |
| | 57M7298 | TERMINAL | 8 | 652402- | |
| | 57M7306 | CONNECTOR | 4 | 652402- | |
| | 57M7309 | RECEPTACLE CONNECTOR BODY | 4 | 652402- | |
| 16 | AH77724 | CLIP | 6 | | |
| 17 | 37M7089 | SCREW | 4 | | M6 X 12, (SELF-TAPPING) |
| 18 | H140074 | PLATE | 2 | | |
| 19 | H118422 | ELECTRICAL PLUG | 1 | | 9 HOLES, FEMALE (TO PRE-AMP) |
| | R77465 | SOCKET CONTACT | AR | | |
| 20 | H140414 | DEFLECTOR | 2 | 631223- | |
| 21 | 03M7184 | BOLT | 10 | 631223- | M8 X 20 |
| 22 | 14M7396 | LOCK NUT | 10 | 631223- | M8 |
| 23 | AH77279 | CLIP | 2 | -645720 | |
| | AH89557 | CLIP | 3 | 645721- | |
| | 19M7865 | SCREW | 3 | 645721- | M8 X 16 |
| | 14M7298 | FLANGE NUT | 3 | 645721- | M8 |
| | 24M7027 | WASHER | 3 | 645721- | 5.300 X 10 X 1 MM |
| 24 | AH125744 | RELAY MODULE | 1 | | PRE AMP MODULE |
| .. | AH143762 | KIT | 1 | -652401 | (SUB (8) R78063, (8) 57M7298, (4) 57M7306 AND (4) 57M7309) |
| .. | BH71886 | COMPLETE GOODS/SHIP. BUNDLE | 1 | | HARVESTRAK |

HARNESS FOR 6076 ENGINE

(UPPER PARTS)

HP3510 -UN-01JAN94



HP3510

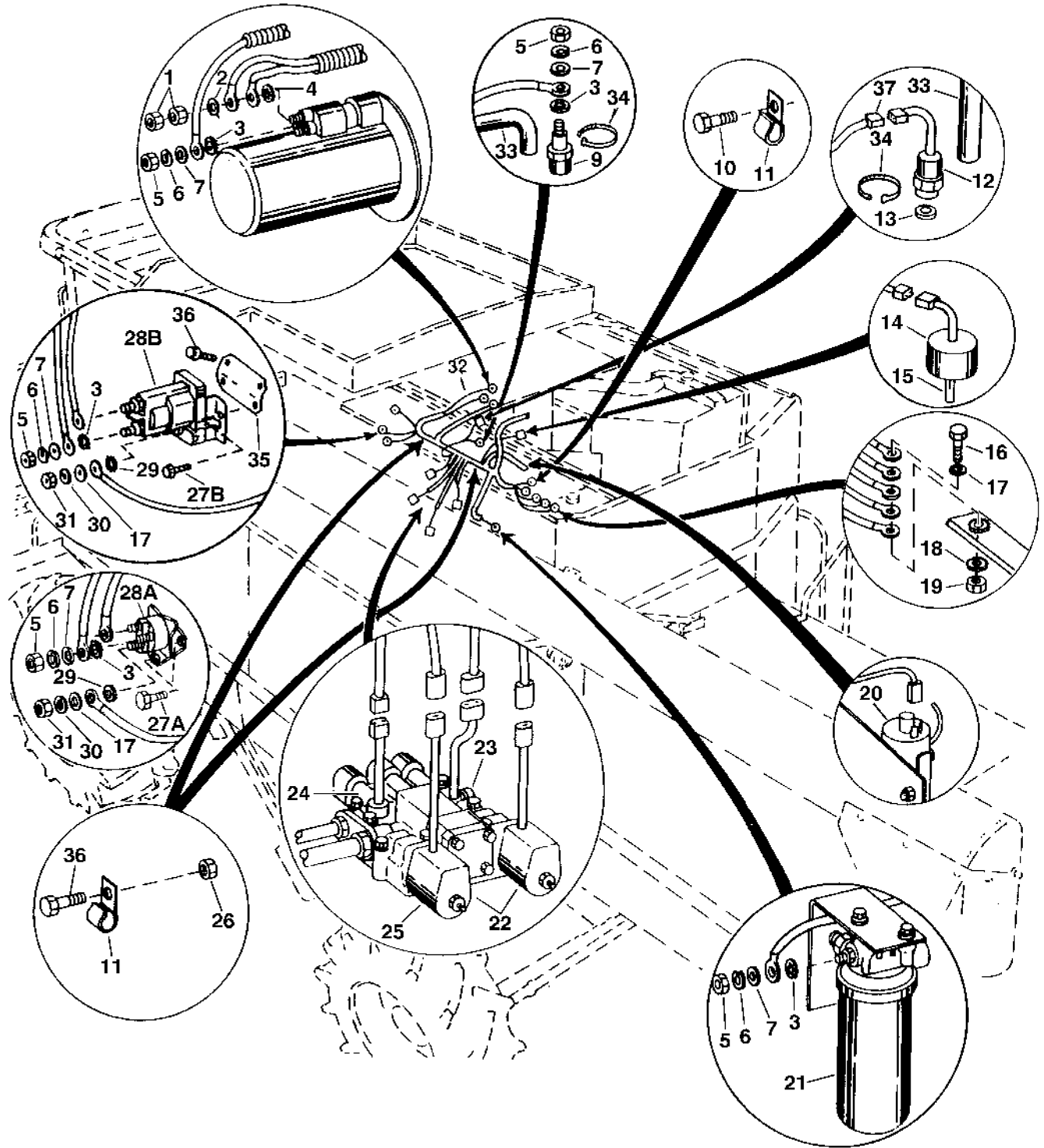
**HARNES FOR 6076 ENGINE - CONTINUED
(UPPER PARTS)**

| KEY | PART NO. | PART NAME | QTY | SERIAL NO. | REMARKS |
|-----|----------|----------------------|-----|---------------|---|
| 1 | AH116105 | SWITCH | 1 | | FOR HYD. OIL TEMP. |
| 2 | 19M7865 | SCREW | 1 | | M8 X 16 |
| 3 | AH89486 | CLIP | 1 | -662433 | (SUB AH96317) |
| | AH96317 | CLIP | 1 | | |
| 4 | AH89557 | CLIP | 1 | | |
| 5 | AH138802 | SWITCH | 1 | -666172 | (SUB FOR AH133787) |
| | AH148258 | SWITCH | 1 | 666173- | |
| | AH148258 | SWITCH | 1 | | |
| 6 | RE24307 | HIGH PRESSURE SWITCH | 1 | | FOR A/C HIGH PRESSURE |
| 7 | R79915 | O-RING | 1 | | 15.540 X 2.160 MM (0.612" X 0.085") |
| 8 | RE12180 | SENSOR | 1 | | FOR ENGINE TACH |
| 9 | R67230 | COVER | 1 | | |
| 10 | 19H1948 | CAP SCREW | 2 | | 1/4" X 3/4" |
| | 12H302 | LOCK WASHER | 2 | | 1/4" |
| | 24H1287 | WASHER | 2 | | 9/32" X 5/8" X 0.065" |
| 11 | | ALTERNATOR | 1 | | (SEE ELECTRICAL SECTION) |
| 12 | 12H297 | LOCK WASHER | 1 | | 1/4" |
| 13 | 14H786 | NUT | 1 | | 1/4" |
| 14 | | COMPRESSOR | 1 | | (SEE OPERATOR'S STATION) |
| 15 | AH89557 | CLIP | 1 | | |
| | AH89486 | CLIP | AR | -662433 | (SUB AH96317) |
| | AH96317 | CLIP | AR | | |
| 16 | 19M7774 | SCREW | 1 | | M6 X 12 |
| 17 | | FUEL INJECTION PUMP | 1 | | (SEE ENGINE SECTION) |
| 18 | AH90990 | CLIP | 1 | | |
| 19 | 14M7298 | FLANGE NUT | 1 | | M8 |
| 20 | 19M7865 | SCREW | 1 | | M8 X 16 |
| 21 | | FUEL INJECTION PUMP | 1 | | (SEE ENGINE SECTION) |
| 22 | AH113292 | SWITCH | 1 | -666172 | FOR AIR CLEANER (PLUGGED) |
| | AH148259 | SWITCH | 1 | | FOR AIR CLEANER (PLUGGED) |
| 23 | AH125036 | WIRING HARNESS | 1 | | FOR STRAW WALKER PLUGGED SWITCH |
| 24 | AH134260 | WIRING HARNESS | 1 | -640300 | NIPPONDENSO INJECTION PUMP (SUB FOR AH128427 AND AH134246) |
| | AH142594 | WIRING HARNESS | 1 | 640301-660300 | NIPPONDENSO (SUB FOR AH134268 WITH AH142597) |
| | AH144893 | WIRING HARNESS | 1 | 660301- | NIPPONDENSO |
| | AH134261 | WIRING HARNESS | 1 | -640300 | BOSCH INJECTION PUMP (SUB FOR AH128411) |
| | AH142595 | WIRING HARNESS | 1 | 640301-660300 | BOSCH (SUB FOR AH134269 WITH AH142597) |
| | AH148406 | WIRING HARNESS | 1 | 660301-671583 | |
| | AH153207 | WIRING HARNESS | 1 | 671584- | FOCUS |
| .. | H116160 | SEALANT | 1 | | 3 OZ. TUBE OF SEALANT |
| .. | AH142597 | WIRING HARNESS | 1 | | MUST BE USED WITH HARNESSES (650301-) WHEN USED ON MACHINES (-650300) |

3E5

ELECTRICAL

HARNESS FOR 6076 ENGINE
(LOWER PARTS)
HP7268 -UN-21JAN98



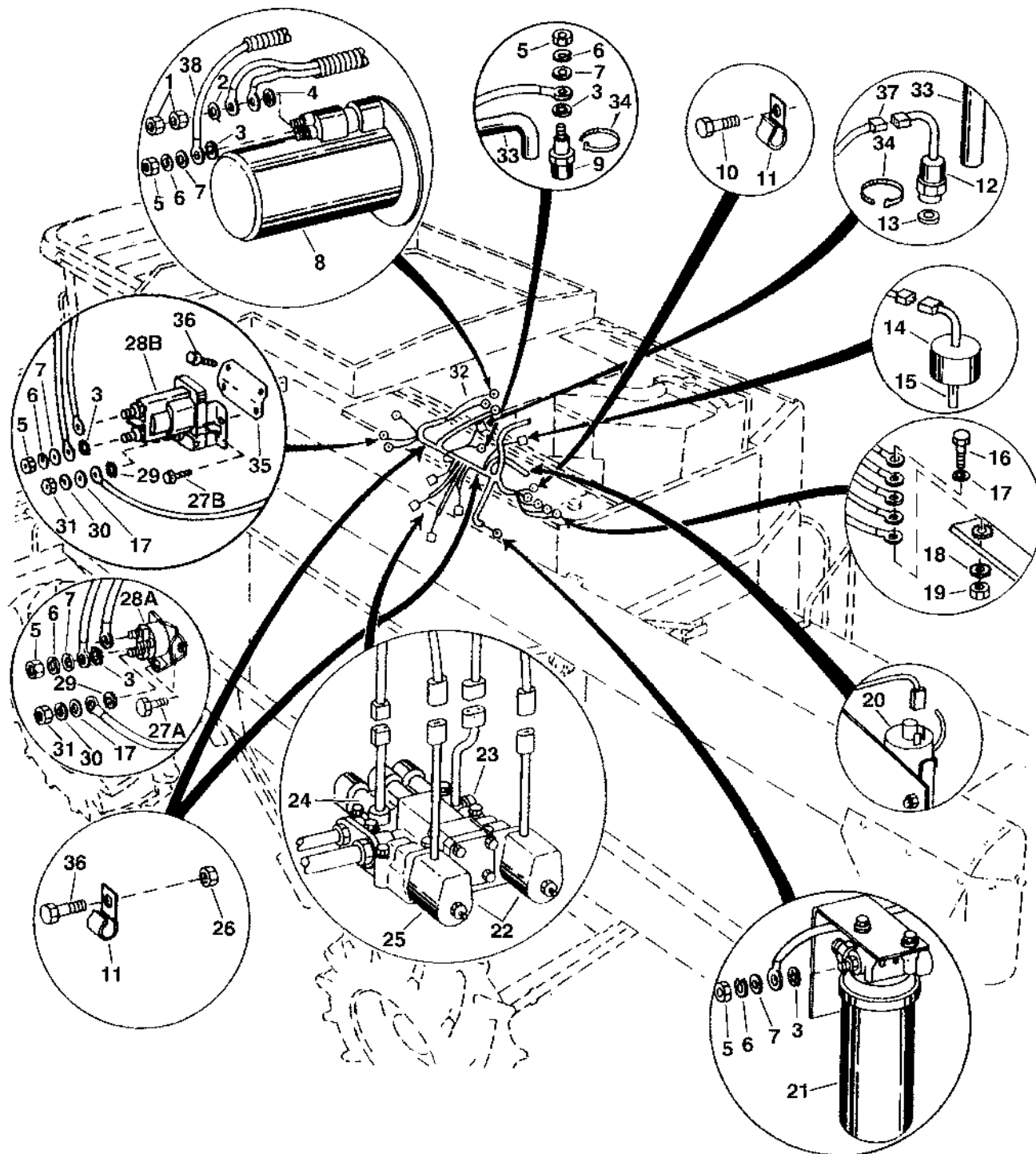
HP7268

**HARNESS FOR 6076 ENGINE - CONTINUED
(LOWER PARTS)**

| KEY | PART NO. | PART NAME | QTY | SERIAL NO. | REMARKS |
|-----|----------------|------------------------------------|----------|---------------|---|
| 1 | 14H732 | NUT | 2 | -637499 | 3/8" |
| | 14H826 | NUT | 2 | 637500-671404 | 12.700 MM (1/2") |
| | 14M7415 | NUT | 2 | 671405- | M12 |
| 2 | 24M7028 | WASHER | 1 | -671404 | 10.500 X 20 X 2 MM |
| | 24M7047 | WASHER | 1 | 671405- | 13 X 24 X 2.500 MM |
| 3 | 12M7112 | LOCK WASHER | 4 | -660753 | 5.300 MM, (SUB 12M7060) |
| | 12M7060 | WASHER | 4 | | 5.300 MM (0.209") |
| 4 | 12M7034 | LOCK WASHER | 1 | | 10.500 MM |
| 5 | 14H631 | NUT | 4 | | 0.190" |
| 6 | 12H246 | LOCK WASHER | 4 | | 0.190" |
| 7 | 24M7027 | WASHER | 4 | | 5.300 X 10 X 1 MM |
| 8 | | STARTER MOTOR | 1 | | (SEE ENGINE SECTION) |
| 9 | AT37368 | SENDER | 1 | | ENGINE COOLANT TEMPERATURE |
| 10 | 37M7083 | SCREW | 3 | -660300 | M8 X 12 |
| 11 | AH89486 | CLIP | 2 | -660300 | |
| | R44302 | TIE BAND | 4 | 660301- | |
| | H141406 | TIE BAND | 1 | 660301-22APR | |
| | H77698 | TIE BAND | 1 | 22APR- | |
| 12 | AH121234 | SWITCH | 1 | -666172 | FOR ENGINE TEMP |
| | AH148278 | SWITCH | 1 | 666173-671583 | FOR ENGINE TEMP |
| | AH152457 | SWITCH | 1 | 671584- | (SUB AH155523) |
| | AH155523 | SWITCH | 1 | 672251- | |
| | AH158689 | SWITCH | 1 | | |
| 13 | R76337 | WASHER | 1 | -671583 | 22 X 29.500 X 1.630 MM (0.866" X 1.161" X 0.064") |
| 14 | AH133896 | SWITCH | 1 | | FOR ENGINE OIL PRESS |
| 15 | R53014 | FITTING | 1 | | |
| 16 | 19M7868 | SCREW | 1 | | M8 X 30 |
| 17 | 24M7055 | WASHER | 2 | | 8.400 X 16 X 1.600 MM |
| 18 | 12M7032 | LOCK WASHER | 2 | | 8.400 MM |
| 19 | 14M7298 | FLANGE NUT | 1 | | M8 |
| 20 | AT39623 | SOLENOID | 1 | -657739 | FOR ETHER START |
| | RE48310 | STARTING AID SOLENOID | 1 | 657740- | |
| 21 | | HYDRAULIC FILTER | 1 | | |
| 22 | AH128655 | SOLENOID VALVE | 1 | | UNLOADING AUGER AND SEPARATOR ENGAGE |
| 23 | AH128927 | SWITCH | 1 | -636722 | (SUB AH135744) SEPARATOR DRIVE PRESSURE |
| | AH135744 | SWITCH | 1 | | |
| | R28782 | O-RING | 1 | 636723- | 8.915 X 1.829 MM (0.351" X 0.072") |
| 24 | AH116105 | SWITCH | 1 | | GEARCASE TEMPERATURE SWITCH |
| | R26375 | O-RING | 1 | | |
| 25 | AH128785 | SHUT-OFF VALVE | 1 | | |
| 26 | 14M7303 | FLANGE NUT | 1 | -641944 | M6 |
| .. | BH79118 | COMPLETE GOODS/SHIP. BUNDLE | 1 | | TEMPERATURE SENSOR PROTECTION |

HARNESS FOR 6076 ENGINE - CONTINUED (LOWER PARTS)

HP7594 -UN-27JUL98

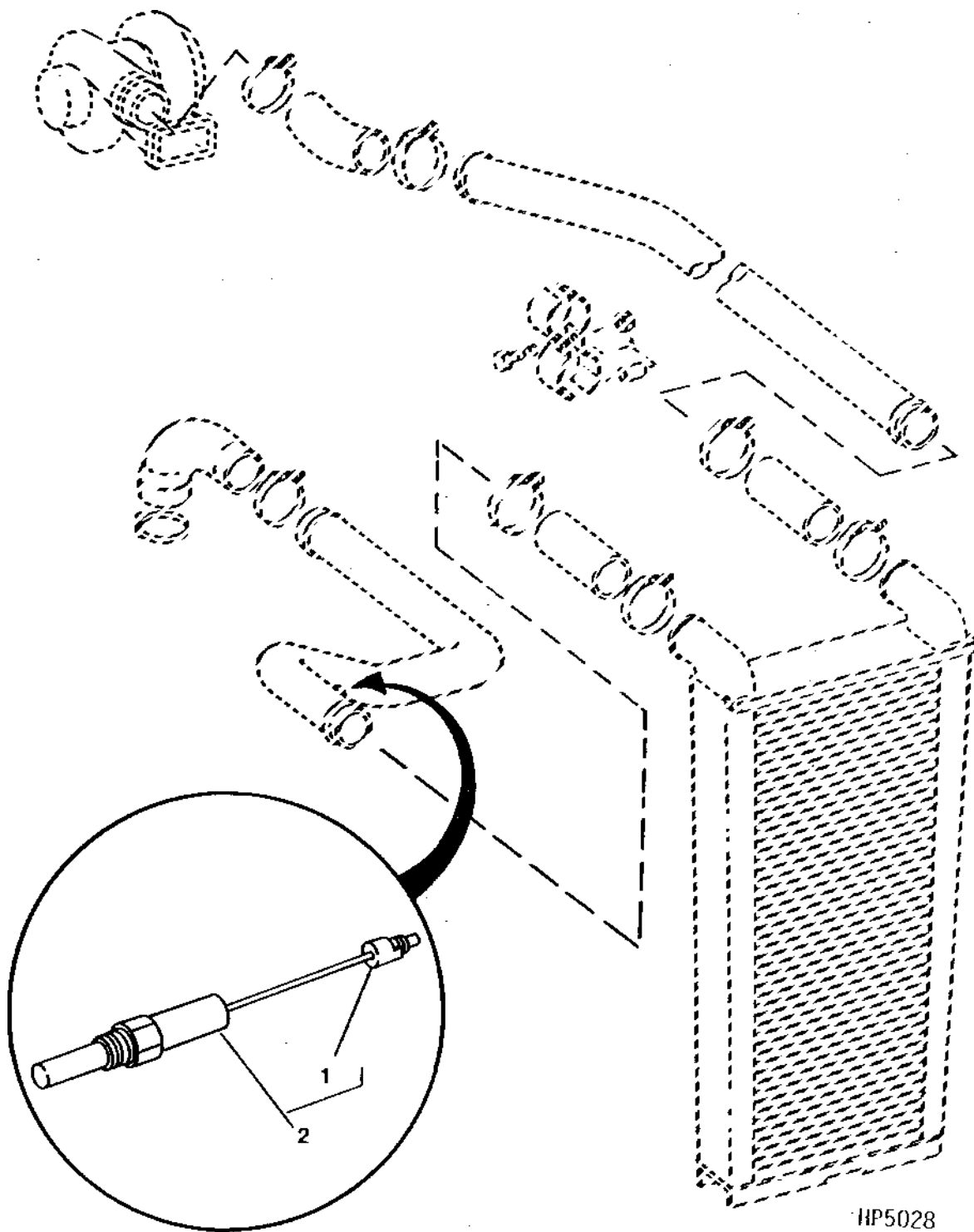


HP7594

**HARNESS FOR 6076 ENGINE - CONTINUED
(LOWER PARTS)**

| KEY | PART NO. | PART NAME | QTY | SERIAL NO. | REMARKS |
|-----|----------------|------------------------------------|----------|---------------|---|
| 27A | 19M7774 | SCREW | 2 | | M6 X 12 |
| 27B | 37M7089 | SCREW | 2 | -640300 | M6 X 12 |
| | 19M7774 | SCREW | 2 | 640301-661149 | M6 X 12 |
| 28A | AM53945 | SOLENOID | 1 | -637285 | (SUB AM105171) |
| | AM53945 | SOLENOID | 1 | 661150- | |
| 28B | AM105171 | SOLENOID | 1 | -661149 | (USE WITH H144291, (2) 37M7089 AND (2) 14M7303) |
| 29 | 12M7122 | LOCK WASHER | 2 | | 8.400 MM (0.331") |
| 30 | 12H303 | LOCK WASHER | 2 | | 7.938 MM (5/16") |
| 31 | 14H785 | NUT | 2 | -640300 | 7.925 MM (5/16") |
| | 14M7303 | FLANGE NUT | 2 | 640301- | M6 |
| 32 | AH134260 | WIRING HARNESS | 1 | -640300 | NIPPONDENSO INJECTION PUMP(SUB FOR AH128427 AND AH134246) |
| | AH142594 | WIRING HARNESS | 1 | 640301-660300 | NIPPONDENSO(SUB FOR AH134268 WITH AH142597) |
| | AH144893 | WIRING HARNESS | 1 | 660301- | NIPPONDENSO |
| | AH134261 | WIRING HARNESS | 1 | -640300 | BOSCH INJECTION PUMP(SUB FOR AH128411) |
| | AH142595 | WIRING HARNESS | 1 | 640301-660300 | BOSCH(SUB FOR AH134269 WITH AH142597) |
| | AH148406 | WIRING HARNESS | 1 | 660301-671583 | BOSCH(SUB FOR AH144954) |
| | AH153207 | WIRING HARNESS | 1 | 671584- | FOCUS |
| 33 | H138200 | INSULATING SLEEVE | 2 | | HEAT PROTECTION FOR ENGINE TEMP SENDER, SWITCH AND WIRES |
| 34 | M66044 | TIE BAND | 4 | | (SUB R44302) |
| | R44302 | TIE BAND | 4 | | |
| 35 | H144291 | PLATE | 1 | 636278-661149 | |
| 36 | 19M7774 | SCREW | 2 | 636278- | M6 X 12 |
| 37 | AH155820 | WIRING LEAD | 1 | 671325-671899 | USE WITH AH155523 |
| | AH155821 | WIRING LEAD | 1 | 671507-671872 | USE WITH AH155523 |
| 38 | AH155483 | WIRING LEAD | 1 | 590791- | (SERVICE ONLY) |
| .. | H116160 | SEALANT | 1 | | 3 OZ. TUBE OF SEALANT |
| .. | AH142597 | WIRING HARNESS | 1 | | MUST BE USED WITH HARNESSES (650301-) WHEN USED ON MACHINES (-650300) |
| .. | BH79118 | COMPLETE GOODS/SHIP. BUNDLE | 1 | | TEMPERATURE SENSOR PROTECTION |

INLET AIR TEMPERATURE SWITCH
HP5028 -UN-01JAN94



3E10

ELECTRICAL

INLET AIR TEMPERATURE SWITCH - CONTINUED

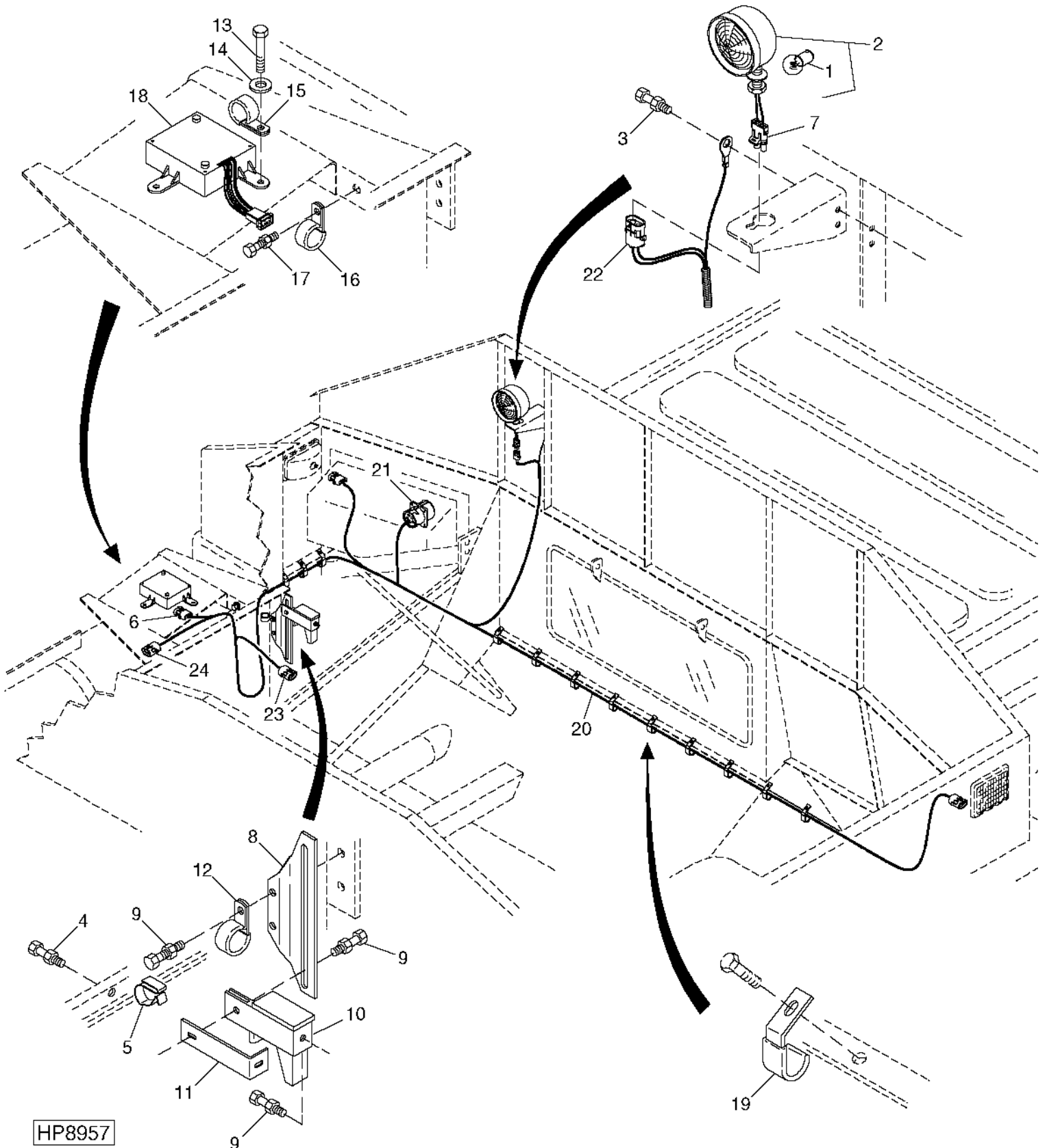
| KEY | PART NO. | PART NAME | QTY | SERIAL NO. | REMARKS |
|-----|----------|-----------------|-----|------------|-------------|
| 1 | RE12363 | CONNECTOR | 1 | | (PKG OF 3) |
| | R78060 | SOCKET CONTACT | 1 | | (PKG OF 40) |
| | R78063 | TERMINAL NIPPLE | 1 | | (PKG OF 40) |
| 2 | AH138802 | SWITCH | 1 | -666172 | |
| | AH148258 | SWITCH | 1 | | |

3E11

ELECTRICAL

GRAIN TANK WIRING HARNESS, LIGHT, LIMIT SWITCH AND LEVEL MONITOR

HP8957 -UN-02SEP99



HP8957

GRAIN TANK WIRING HARNESS, LIGHT, LIMIT SWITCH AND LEVEL MONITOR - CONTINUED

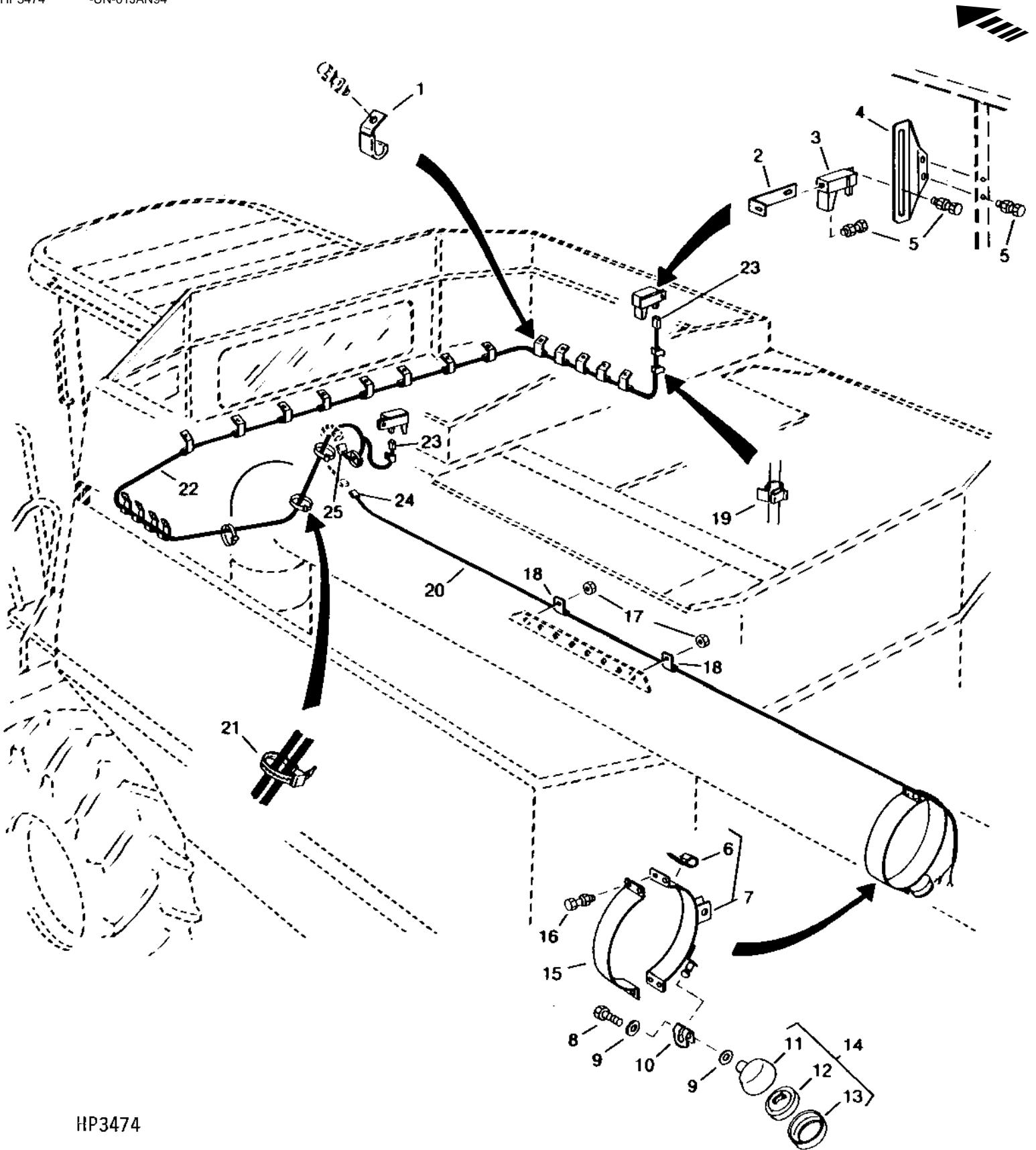
| KEY | PART NO. | PART NAME | QTY | SERIAL NO. | REMARKS |
|-----|----------|----------------------------|-----|---------------|---|
| 1 | AD2062R | BULB | 1 | | |
| 2 | AH152451 | LAMP | 1 | | (SUB AH164499) (SUB FOR AH133109) |
| | AH164499 | LAMP | 1 | | |
| 3 | 19M7865 | SCREW | 1 | | M8 X 16, (FOR WIRING HARNESS GROUND WIRE) |
| | 14M7298 | FLANGE NUT | 1 | | M8 |
| 4 | 19M7866 | SCREW | 2 | | M8 X 20 |
| | 14M7298 | FLANGE NUT | 2 | | M8 |
| 5 | H76064 | CLIP | 1 | -640300 | |
| 6 | RE12366 | CONNECTOR | 1 | | (PKG OF 2) |
| | R78051 | SEAL | 1 | | (PKG OF 5) |
| | R78060 | SOCKET CONTACT | 1 | | (PKG OF 40) |
| 7 | R78052 | PIN CONTACT CONNECTOR BODY | 1 | | (PKG OF 3) |
| | R78061 | PIN CONTACT | 1 | | (PKG OF 40) |
| 8 | H133824 | BRACKET | 1 | | |
| 9 | 19M7775 | SCREW | 4 | | M6 X 16 |
| | 14M7303 | FLANGE NUT | 4 | | M6 |
| 10 | AH121475 | SENSOR | 1 | | |
| 11 | H133645 | REINFORCEMENT | 1 | | |
| 12 | T32231 | CLAMP | 1 | | |
| 13 | 19M7177 | CAP SCREW | 3 | -640300 | M6 X 35 |
| | 19M6755 | CAP SCREW | 1 | 640301- | M6 X 35 |
| | 19M7865 | SCREW | 2 | 29SEP7- | |
| 14 | 24M7054 | WASHER | 3 | -29SEP7 | 6.400 X 12 X 1.600 MM |
| | 24M7139 | WASHER | 3 | 29SEP7- | 6.400 X 18 X 1.600 MM |
| 15 | AH89557 | CLIP | 1 | | |
| 16 | AH89486 | CLIP | 1 | -662433 | (SUB AH96317) |
| | AH96317 | CLIP | 1 | | |
| 17 | 19M7865 | SCREW | 1 | | M8 X 16 |
| | 14M7298 | FLANGE NUT | 1 | | M8 |
| 18 | AH142999 | SWITCH | 1 | | (SUB AH163979) (INCLUDES H148702) (SUB FOR AH128906, AH137183 AND AH140989) |
| | AH155480 | MODULE | 1 | | (A) |
| | AH163979 | KIT | 1 | | (INCLUDES PARTS MARKED (A)) |
| 19 | H130637 | CLAMP | 14 | -640873 | |
| | H130637 | CLAMP | 10 | 640874- | |
| | AH139300 | CLAMP | 4 | 640874-650457 | (SUB AH117301) |
| | AH117301 | CLAMP | 4 | -651228 | |
| | AH117301 | CLAMP | 3 | 651229- | |
| | AH77869 | CLIP | 7 | | (FRENCH ONLY) |
| 20 | AH128404 | WIRING HARNESS | 1 | -640300 | (SUB AH134239) |
| | AH134239 | WIRING HARNESS | 1 | -660300 | (SUB AH143921) SERVICE ONLY |
| | AH143921 | WIRING HARNESS | 1 | -29SEP7 | GRAIN TANK WIDE-W/O GREENSTAR |
| | AH128434 | WIRING HARNESS | 1 | -640300 | (SUB AH134236) FRENCH |
| | AH134236 | WIRING HARNESS | 1 | -660300 | (SUB AH143923) FRENCH |
| | AH143923 | WIRING HARNESS | 1 | -29SEP7 | FRENCH-SERVICE ONLY |
| | AH151776 | WIRING HARNESS | 1 | 29SEP7- | GRAIN TANK WIDE - GREENSTAR |
| | AH159141 | WIRING HARNESS | 1 | 29SEP7- | (SUB FOR AH143923) GRAINTANK |
| 21 | H118425 | CONNECTOR | 1 | | (22 HOLES, MIXED) |
| | AE44930 | CONNECTOR | 1 | | |
| | R78057 | SOCKET CONTACT | 1 | | (PKG OF 40) |
| | R78060 | SOCKET CONTACT | 1 | | (PKG OF 40) |
| 22 | RE12362 | CONNECTOR | 1 | | (PKG OF 3) |
| | R78047 | SEAL | 1 | | (PKG OF 5) |
| 23 | RE12363 | CONNECTOR | 1 | | (PKG OF 3) |
| | R78048 | TERMINAL NIPPLE | 1 | | (PKG OF 5) |
| | R78057 | SOCKET CONTACT | 1 | | (PKG OF 40) |
| 24 | R78053 | PIN CONTACT CONNECTOR BODY | 1 | | (PKG OF 3) |
| | R78063 | TERMINAL NIPPLE | 1 | | (PKG OF 40) |
| | R78060 | SOCKET CONTACT | 1 | | (PKG OF 40) |
| | R78061 | PIN CONTACT | 1 | | (PKG OF 40) |

3E13

ELECTRICAL

GRAIN TANK DUAL LEVEL MONITOR HARNESS AND UNLOADING AUGER LIGHT

HP3474 -UN-01JAN94



HP3474

3E14

ELECTRICAL

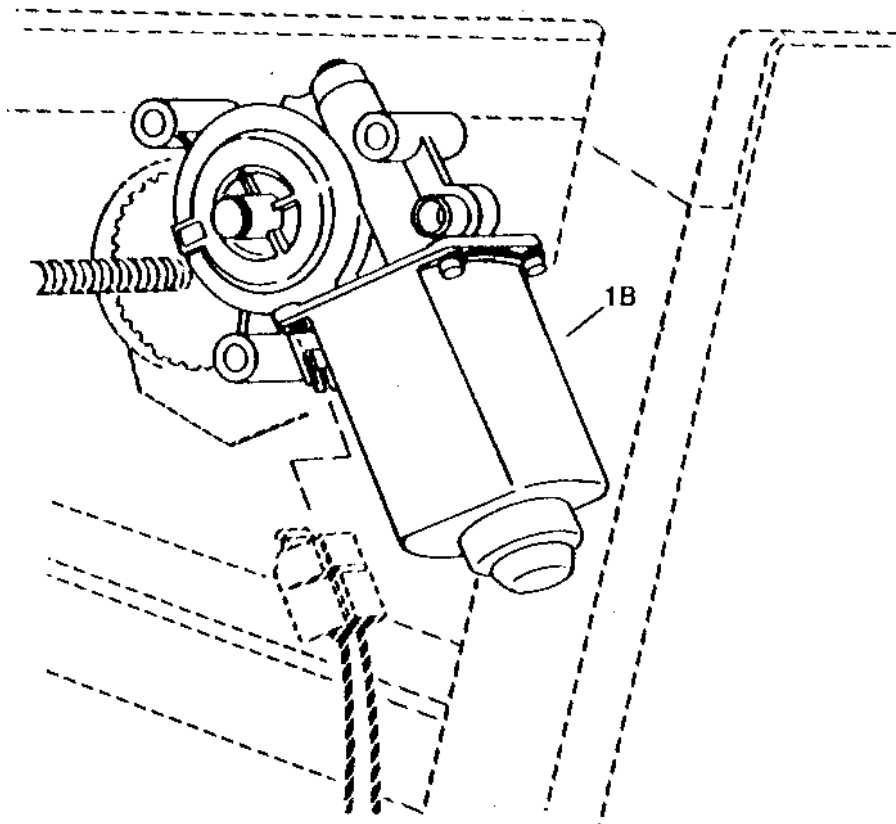
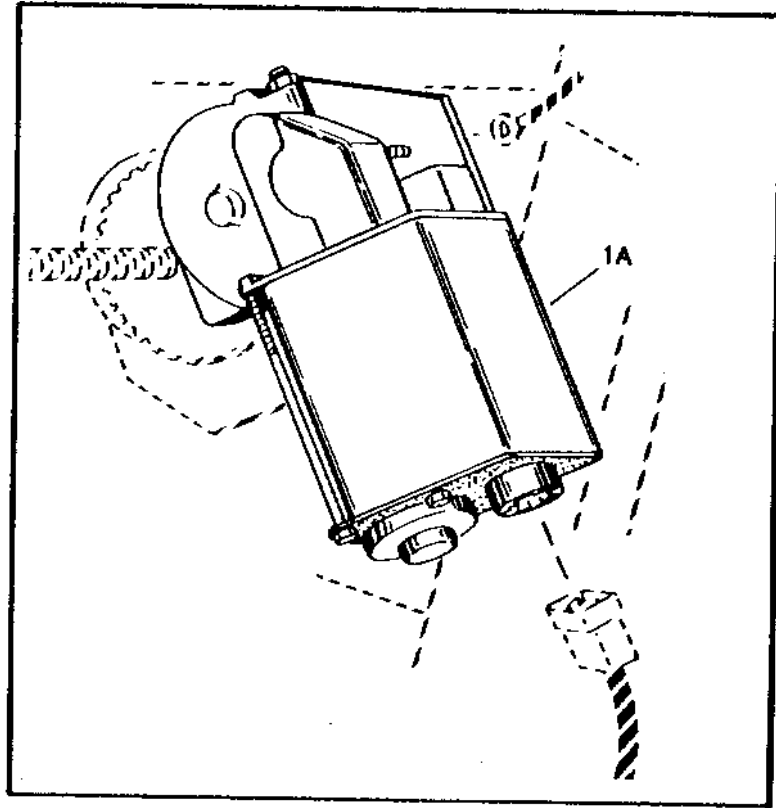
GRAIN TANK DUAL LEVEL MONITOR HARNESS AND UNLOADING AUGER LIGHT - CONTINUED

| KEY | PART NO. | PART NAME | QTY | SERIAL NO. | REMARKS |
|-----|----------------|------------------------------------|----------|---------------------------|-------------------------------------|
| 1 | H130637 | CLAMP | 5 | | |
| 2 | H133645 | REINFORCEMENT | 1 | | |
| 3 | AH121475 | SENSOR | 1 | | |
| 4 | H133824 | BRACKET | 1 | | |
| 5 | 19M7775 | SCREW | 4 | M6 X 16 | |
| | 14M7303 | FLANGE NUT | 4 | M6 | |
| 6 | AH89557 | CLIP | 1 | | |
| 7 | AH126541 | CLAMP | 1 | | |
| 8 | 19H1974 | CAP SCREW | 1 | 1/2" X 2-3/4" | |
| 9 | 24H1111 | WASHER | 2 | 17/32" X 1-1/16" X 0.090" | |
| 10 | R67377 | CLAMP | 1 | | |
| 11 | | HOUSING | 1 | | |
| 12 | AR42591 | HEADLIGHT | 1 | 35 WATT | |
| 13 | R31250 | BEZEL | 1 | | |
| 14 | AH98901 | HEADLIGHT | 1 | -665300 | (SUB AH162581 KIT AND AF3892R LAMP) |
| | AH148210 | HEADLIGHT | 1 | 665301- | |
| 15 | H133178 | CLAMP | 1 | | |
| 16 | 19M7800 | SCREW | 4 | M8 X 50 | |
| | 14M7396 | LOCK NUT | 4 | M8 | |
| 17 | 14M7298 | FLANGE NUT | 2 | M8 | |
| 18 | AH89557 | CLIP | 2 | | |
| 19 | H76064 | CLIP | 5 | | |
| | H76064 | CLIP | 5 | -640300 | |
| | H76064 | CLIP | 4 | 640301- | |
| 20 | AH117017 | WIRING HARNESS | 1 | -657629 | ALL AUGER LENGTHS |
| | AH117018 | WIRING HARNESS | 1 | -665300 | ALL AUGER LENGTHS |
| | AH148028 | WIRING HARNESS | 1 | 665301- | FOR ALL AUGER LENGTHS |
| 21 | M66044 | TIE BAND | 7 | | |
| 22 | AH128986 | WIRING HARNESS | 1 | | |
| 23 | RE12363 | CONNECTOR | 1 | | (PKG OF 3) |
| | R78048 | TERMINAL NIPPLE | 1 | | (PKG OF 5) |
| | R78057 | SOCKET CONTACT | 1 | | (PKG OF 40) |
| 24 | RE12363 | CONNECTOR | 1 | | (PKG OF 3) |
| | R78048 | TERMINAL NIPPLE | 1 | | (PKG OF 5) |
| | R78060 | SOCKET CONTACT | 1 | | (PKG OF 40) |
| 25 | R78053 | PIN CONTACT CONNECTOR BODY | 1 | | (PKG OF 3) |
| | R78063 | TERMINAL NIPPLE | 1 | | (PKG OF 40) |
| | R78058 | PIN CONTACT | 1 | | (PKG OF 40) |
| .. | BH78464 | COMPLETE GOODS/SHIP. BUNDLE | 1 | | GRAIN TANK LEVER MONITOR |

3E15

ELECTRICAL

SEPARATOR FAN DRIVE ADJUSTING MOTOR
HP5763 -UN-01JAN94



HP5763

3E16

ELECTRICAL

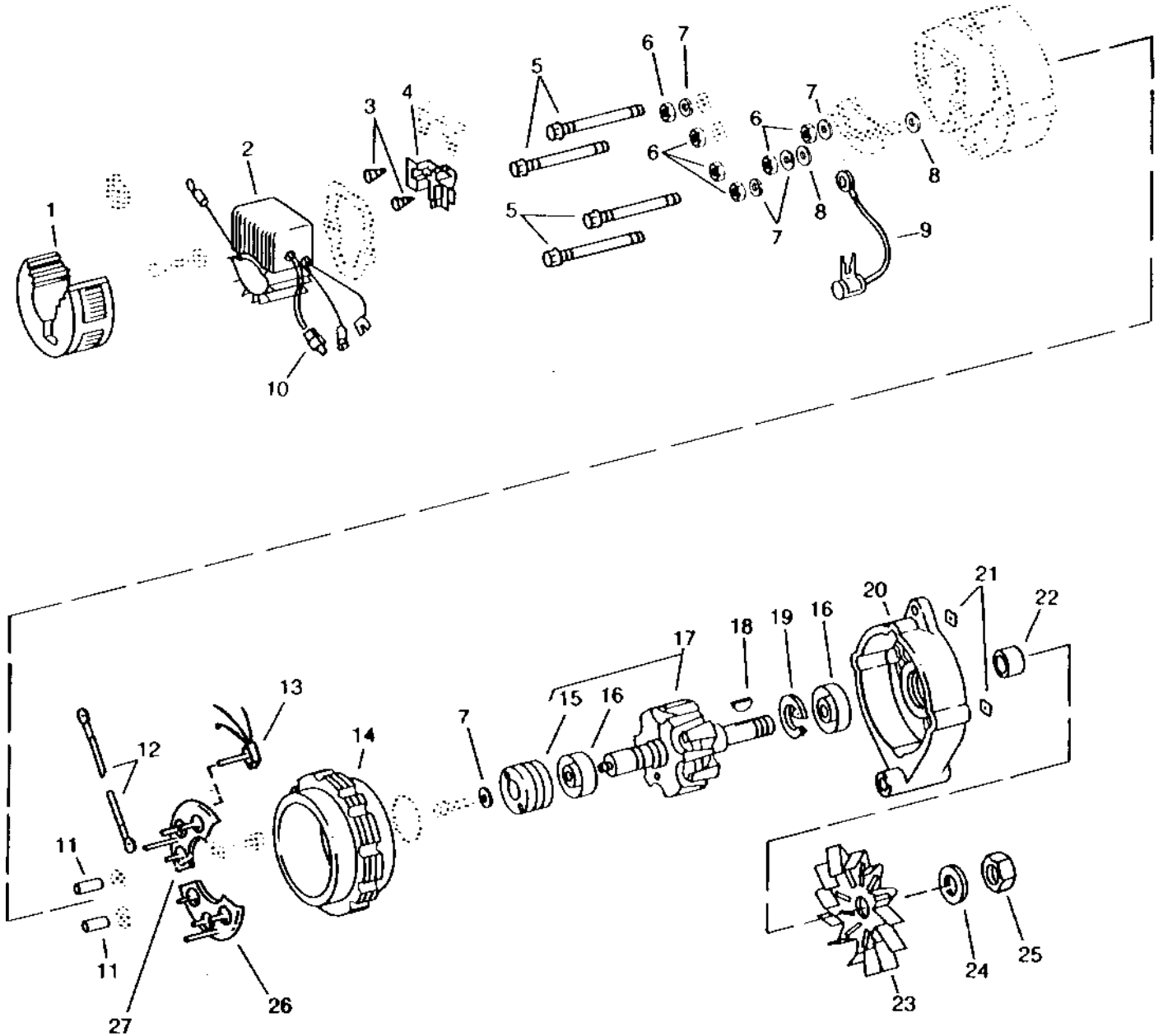
SEPARATOR FAN DRIVE ADJUSTING MOTOR - CONTINUED

| KEY | PART NO. | PART NAME | QTY | SERIAL NO. | REMARKS |
|-----|----------|-----------|-----|------------|--|
| 1A | AH124567 | MOTOR | 1 | -655300 | ADAPTER HARNESS AH143997, PLUS (2) ADAPTER AH106612 RELAYS, SUPPORT AH143904 AND CORRESPONDING HARDWARE (3) 19M8321 AND (3) 14M7165 MUST BE ORDERED WITH MOTOR AH143903 WHEN INSTALLED ON COMBINES WITH SERIAL NUMBERS UNDER 655300 IN COMBINATION WITH EXISTING POWER DISTRIBUTION BOARD AND L.H. WIRING HARNESS. |
| 1B | AH143903 | MOTOR | 1 | 655301- | (USE WITH AH143904, 19M8321 AND 14M7165) |

3E17

ELECTRICAL

ALTERNATOR AND VOLTAGE REGULATOR (90 AMP)
MOTOROLA - PRESTOLITE
(-636603)
HP3534 -UN-01JAN94



HP 3534

3E18

ELECTRICAL

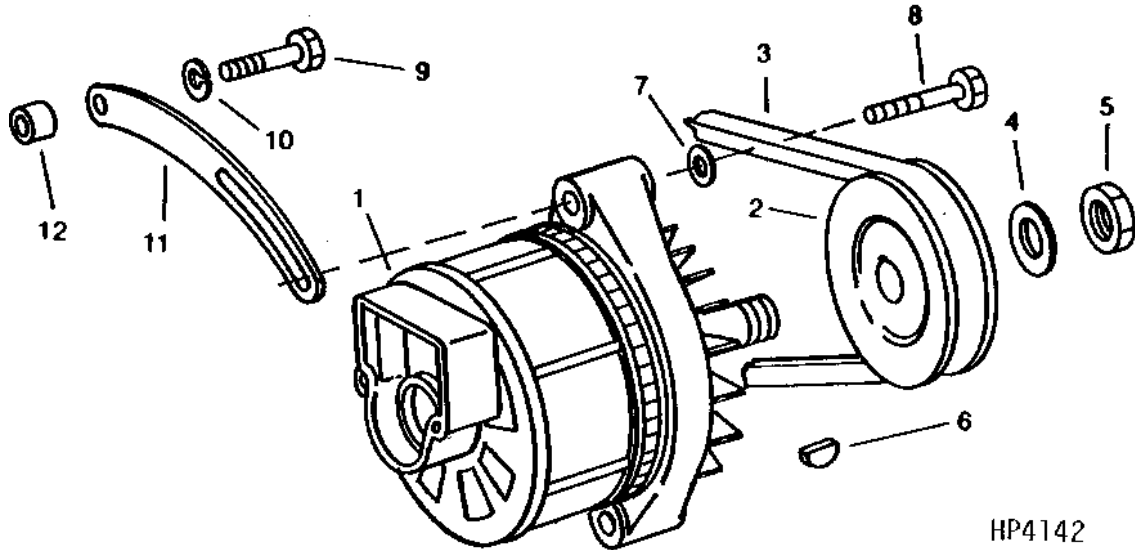
ALTERNATOR AND VOLTAGE REGULATOR (90 AMP) - CONTINUED
MOTOROLA - PRESTOLITE
(-636603)

| KEY | PART NO. | PART NAME | QTY | SERIAL NO. | REMARKS |
|-----|----------|--------------------|-----|------------|---|
| 1 | H121705 | COVER | 1 | | |
| 2 | AH117788 | VOLTAGE REGULATOR | 1 | | (USE WITH T29100 GASKET, (2) 37H78 SCREW AND (2) 12H356 WASHER) |
| 3 | 37H47 | SCREW | 2 | -650777 | (SUB 37H47) |
| | 37H47 | SCREW | 1 | | |
| 4 | AH122311 | BRUSH | 1 | | |
| 5 | R47460 | BOLT | 4 | | 4.826 X 84.328 MM (0.190" X 3.320") |
| 6 | 14H778 | NUT | 6 | | 0.190" |
| 7 | 12H246 | LOCK WASHER | 5 | | 0.190" |
| 8 | R15036 | WASHER | 2 | | 5.156 X 19.050 X 1.524 MM (13/64" X 3/4" X 0.060") |
| 9 | AH105521 | CAPACITOR | 1 | | |
| 10 | R48887 | TAB CONNECTOR BODY | 1 | | |
| 11 | T25353 | BUSHING | 2 | | (SUB TY6653) |
| 12 | AT27126 | WIRING LEAD | 1 | | (SUB TY6653) |
| 13 | AH117790 | DIODE | 1 | | |
| 14 | AH117791 | STATOR | 1 | | |
| 15 | TY6653 | ALTERNATOR | 1 | | (SUB FOR AT27127) |
| 16 | JD9395 | BALL BEARING | 2 | | (SUB JD9449) |
| | JD9449 | BALL BEARING | 2 | | |
| 17 | AH117789 | ROTOR | 1 | | WITH SLIP RINGS AND BEARINGS |
| 18 | 26H9 | SHAFT KEY | 1 | | 1/8" X 5/8" |
| 19 | R15029 | RETAINER | 1 | | |
| 20 | R15033 | HOUSING | 1 | | |
| 21 | 14H631 | NUT | 4 | | 0.190" |
| 22 | T25343 | BUSHING | 1 | | (SUB TY6653) |
| 23 | R15027 | FAN | 1 | | |
| 24 | 12H294 | LOCK WASHER | 1 | | 5/8" |
| 25 | 14H866 | NUT | 1 | | 5/8" |
| 26 | AH134530 | RECTIFIER | 1 | | RECTIFYING - NEGATIVE |
| 27 | AH134529 | RECTIFIER | 1 | | RECTIFYING - POSITIVE |
| .. | TY6653 | ALTERNATOR | 1 | | REMANUFACTURED, (SUB TY6748) |
| .. | TY6748 | ALTERNATOR | 1 | | REMANUFACTURED |

3E19

ELECTRICAL

ALTERNATOR, SHEAVE AND BELT
 MOTOROLA - PRESTOLITE
 (-636603)
 HP4142 -UN-01JAN94



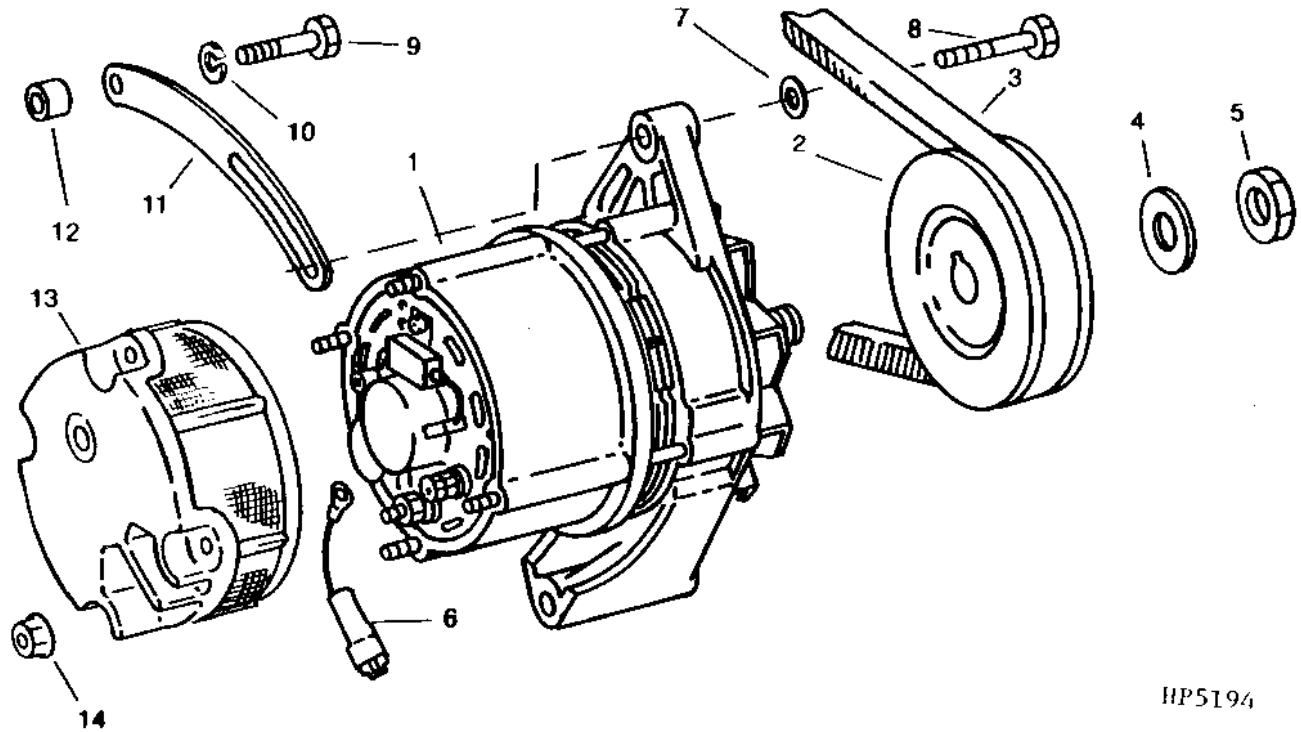
| KEY | PART NO. | PART NAME | QTY | SERIAL NO. | REMARKS |
|-----|----------|-------------|-----|------------|---|
| 1 | TY6748 | ALTERNATOR | 1 | | (SUB FOR TY6653) |
| 2 | H93619 | PULLEY | 1 | | |
| | T100640 | PULLEY | 1 | | |
| 3 | RE44538 | BELT | 1 | -631200 | |
| | R73189 | BELT | 1 | 631201- | |
| 4 | 12H294 | LOCK WASHER | 1 | | 5/8" |
| 5 | 14H866 | NUT | 1 | | 5/8" |
| 6 | 26H9 | SHAFT KEY | 1 | | |
| 7 | 24M7207 | WASHER | 1 | | 8.400 X 24 X 2 MM (0.331" X 0.945" X 0.079") |
| 8 | 19H2117 | CAP SCREW | 1 | | 7.925 X 28.575 MM (5/16" X 1-1/8") |
| 9 | 19H1726 | CAP SCREW | 1 | | 9.525 X 57.150 MM (3/8" X 2-1/4") |
| 10 | 12H304 | LOCK WASHER | 1 | | 9.525 MM (3/8") |
| 11 | R107734 | STRAP | 1 | | |
| 12 | 24H1304 | WASHER | 1 | | 10.312 X 18.263 X 3.048 MM (13/32" X 23/32" X 0.120") |

3E20

ELECTRICAL

ALTERNATOR, SHEAVE AND BELT

BOSCH (650100-)
HP5194 -UN-01JAN94



HP5194

| KEY | PART NO. | PART NAME | QTY | SERIAL NO. | REMARKS |
|-----|----------|----------------|-----|------------|---|
| 1 | TY24485 | ALTERNATOR | 1 | | (SUB FOR TY6750) REMANUFACTURED |
| 2 | H144139 | PULLEY | 1 | | (SUB FOR H144115) |
| | H144114 | SHEAVE | 1 | | |
| 3 | R73189 | BELT | 1 | -643001 | |
| | H101813 | BELT | 1 | 643001- | |
| 4 | T10745 | WASHER | 1 | | 17.145 X 25.781 X 1.981 MM (0.675" X 1.015" X 5/64") |
| 5 | 14M7158 | NUT | 1 | | M16 |
| 6 | AH146309 | WIRING HARNESS | 1 | | (SUB FOR AH134262) |
| 7 | 24M7207 | WASHER | 1 | | 8.400 X 24 X 2 MM (0.331" X 0.945" X 0.079") |
| 8 | 19M7868 | SCREW | 1 | | M8 X 30 |
| 9 | 19H1726 | CAP SCREW | 1 | | 9.525 X 57.150 MM (3/8" X 2-1/4") |
| 10 | 12H304 | LOCK WASHER | 1 | | 9.525 MM (3/8") |
| 11 | R107734 | STRAP | 1 | | |
| 12 | 24H1304 | WASHER | 1 | -650701 | 10.312 X 18.263 X 3.048 MM (13/32" X 23/32" X 0.120") |
| | 24M7106 | WASHER | 1 | 650702- | 10 X 18 X 2.500 MM (0.394" X 0.709" X 0.098") |
| 13 | AH138291 | SCREEN | 1 | | (USE WITH TY6750) |
| | AT207952 | COVER | 1 | | (USE WITH TY24485) |
| 14 | 14M7375 | FLANGE NUT | 4 | | M5 |

3E21

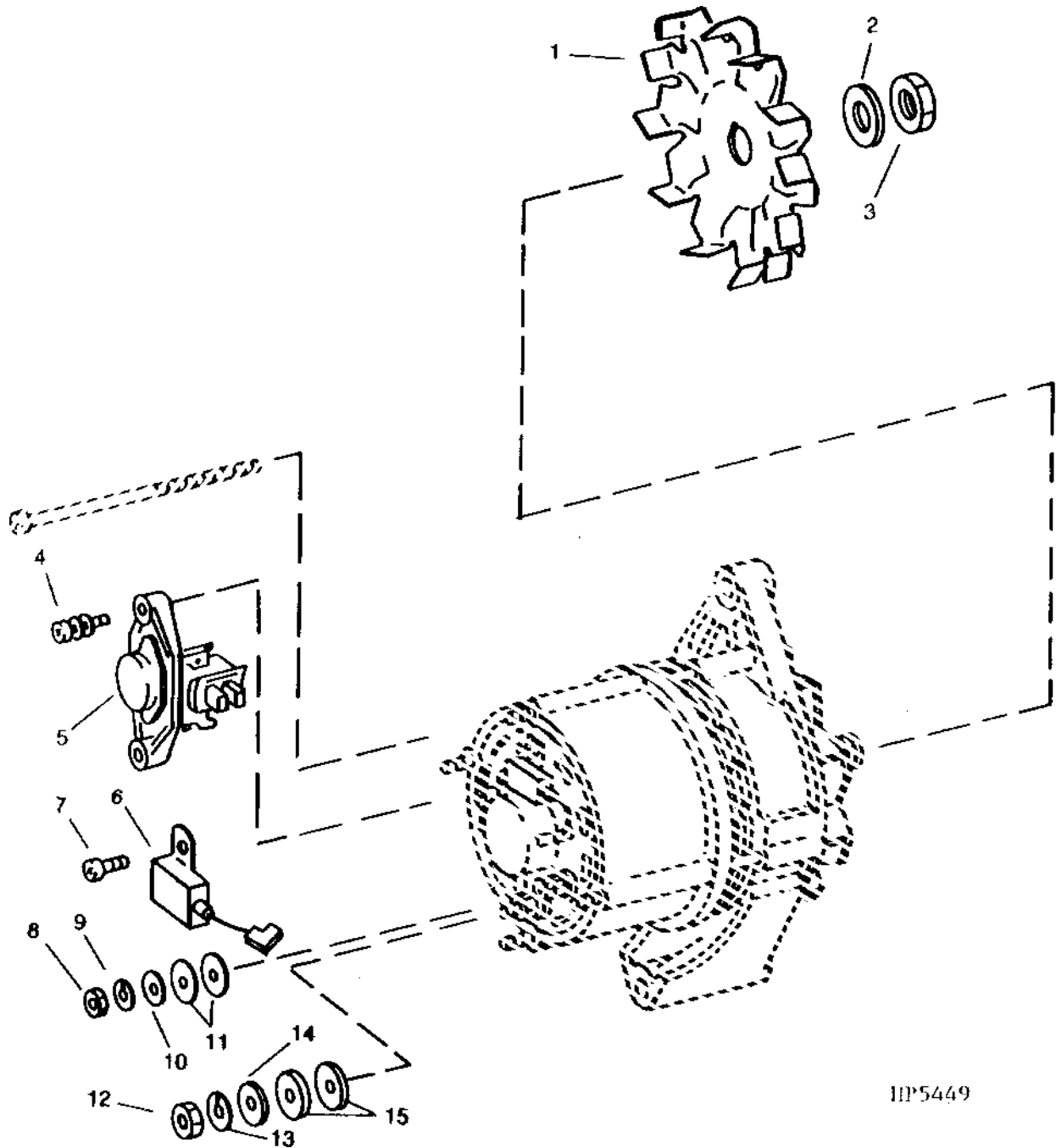
ELECTRICAL

ALTERNATOR AND VOLTAGE REGULATOR (95 AMP)

BOSCH

(636604-
HP5449

)
-UN-01JAN94



HP5449

3E22

ELECTRICAL

ALTERNATOR AND VOLTAGE REGULATOR (95 AMP) - CONTINUED

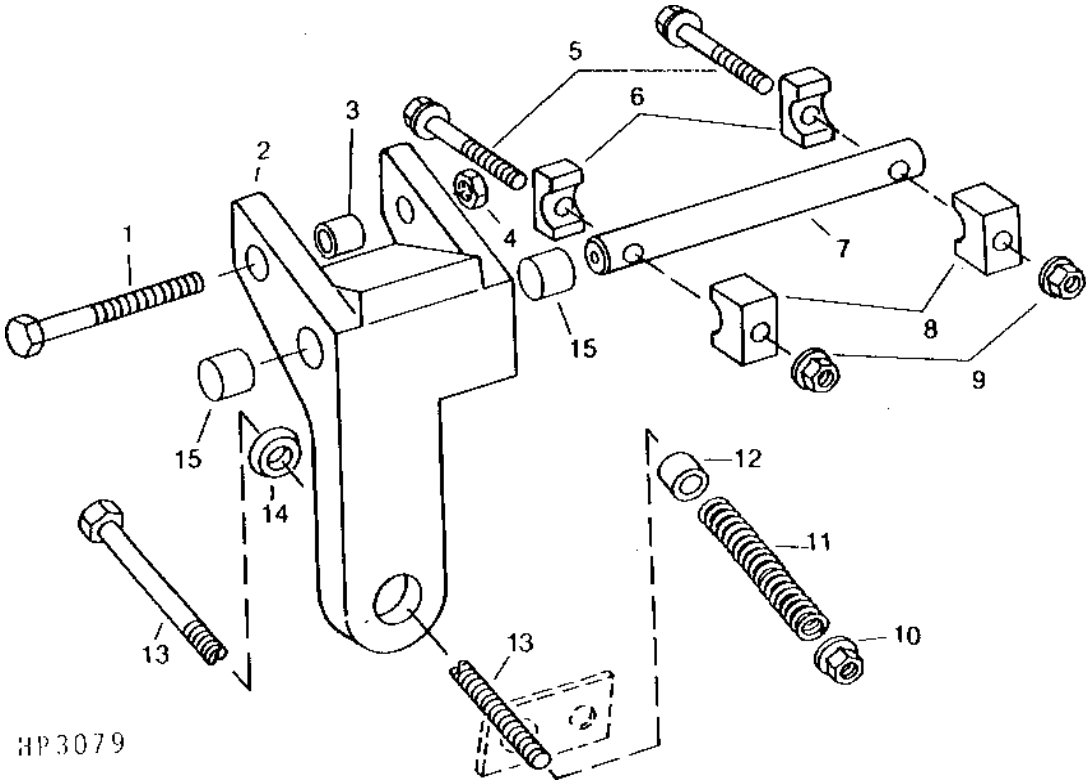
BOSCH
(636604-)

| KEY | PART NO. | PART NAME | QTY | SERIAL NO. | REMARKS |
|-----|----------|-------------------|-----|---------------------------------|---------|
| 1 | L33993 | FAN | 1 | | |
| 2 | T10745 | WASHER | 1 | 17.145 X 25.781 X 1.981 MM | |
| 3 | 14M7158 | NUT | 1 | M16 | |
| 4 | 21M7252 | SCREW | 2 | M4 X 16 | |
| | 12M7084 | LOCK WASHER | 2 | 4.300 MM (0.169") | |
| 5 | H144094 | VOLTAGE REGULATOR | 1 | | |
| 6 | H144095 | CAPACITOR | 1 | | |
| 7 | 21M6071 | SCREW | 1 | M5 X 10 | |
| | 12M7060 | WASHER | 1 | 5.300 MM (0.209") | |
| 8 | 14M7297 | NUT | 1 | M5 | |
| 9 | 12M7060 | WASHER | 1 | 5.300 MM (0.209") | |
| 10 | | WASHER | 1 | | |
| 11 | R47460 | BOLT | 2 | 4.826 X 84.328 MM | |
| 12 | 14M7273 | NUT | 1 | M8 | |
| 13 | 12M7032 | LOCK WASHER | 1 | 8.400 MM (0.331") | |
| 14 | R15036 | WASHER | 1 | 5.156 X 19.050 X 1.524 MM | |
| 15 | | WASHER | 2 | | |
| .. | TY24485 | ALTERNATOR | 1 | (SUB FOR TY6750) REMANUFACTURED | |

3E23

ALTERNATOR MOUNTING

HP3079 -UN-01JAN94



HP3079

3E24

ELECTRICAL

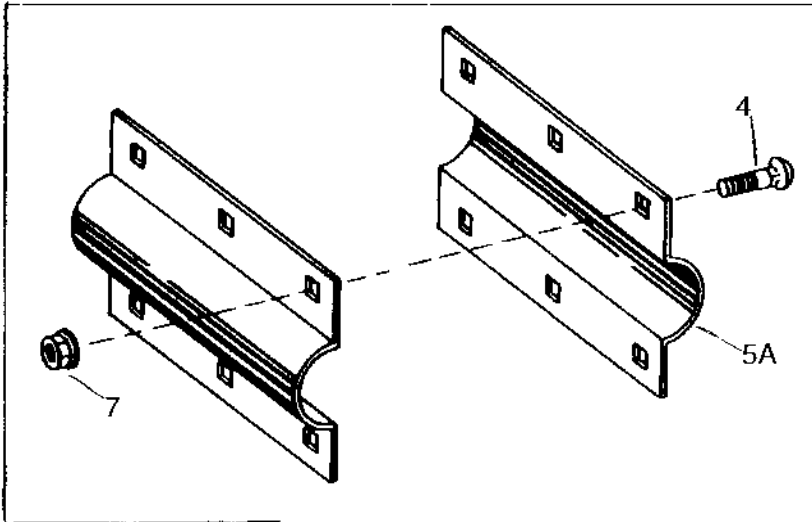
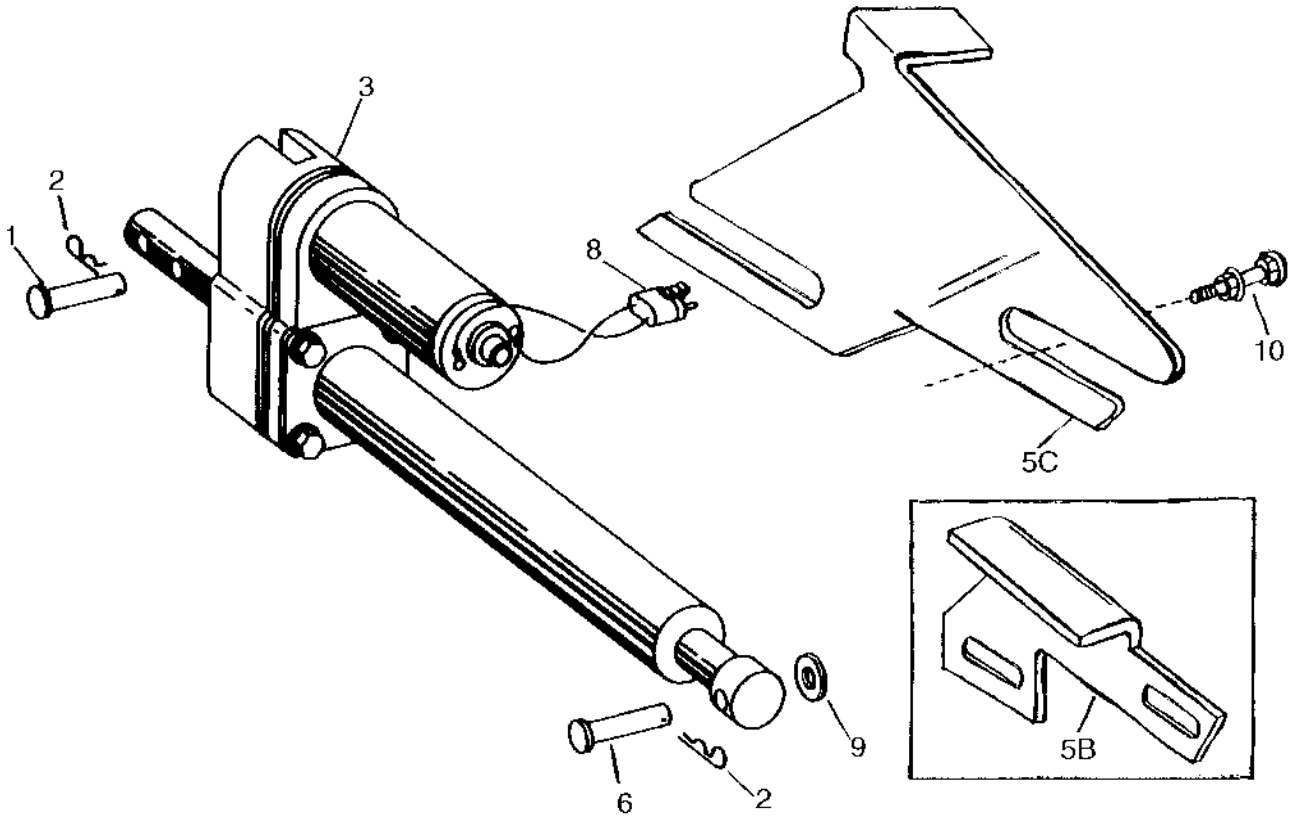
ALTERNATOR MOUNTING - CONTINUED

| KEY | PART NO. | PART NAME | QTY | SERIAL NO. | REMARKS |
|-----|----------|--------------------|-----|---------------|---|
| 1 | 19H1912 | CAP SCREW | 1 | -642112 | 3/8" X 3-1/2" |
| | 19M8183 | CAP SCREW | 1 | 642113-645662 | M10 X 90 |
| | 19M8081 | CAP SCREW | 1 | 645663- | M10 X 80 |
| 2 | H141409 | ARM | 1 | | (SUB FOR H123765) |
| 3 | H123785 | SPACER | 1 | | |
| 4 | 14H732 | NUT | 1 | -642112 | 3/8" |
| | 14M7296 | FLANGE NUT | 1 | 642113- | M10 |
| 5 | 19M7800 | SCREW | 2 | | M8 X 50 |
| 6 | H123788 | CLAMP | 2 | | |
| 7 | H123786 | PIN | 1 | | 15.875 X 120 MM (5/8" X 4.724") |
| 8 | H123787 | CLAMP | 2 | | |
| 9 | 14M7298 | FLANGE NUT | AR | | M8 |
| 10 | 14M7296 | FLANGE NUT | AR | | M10 |
| 11 | H128906 | COMPRESSION SPRING | 1 | | |
| 12 | H134214 | GUIDE | 1 | | |
| 13 | H125873 | CAP SCREW | 1 | | |
| 14 | H77337 | WASHER | 1 | | 10.312 X 22.225 X 6.350 MM (13/32" X 7/8" X 1/4") |
| 15 | H91788 | BUSHING | 2 | | |

3F1

ELECTRICAL

CONCAVE ADJUSTING MOTOR
HP6251 -UN-04JAN96



HP6251

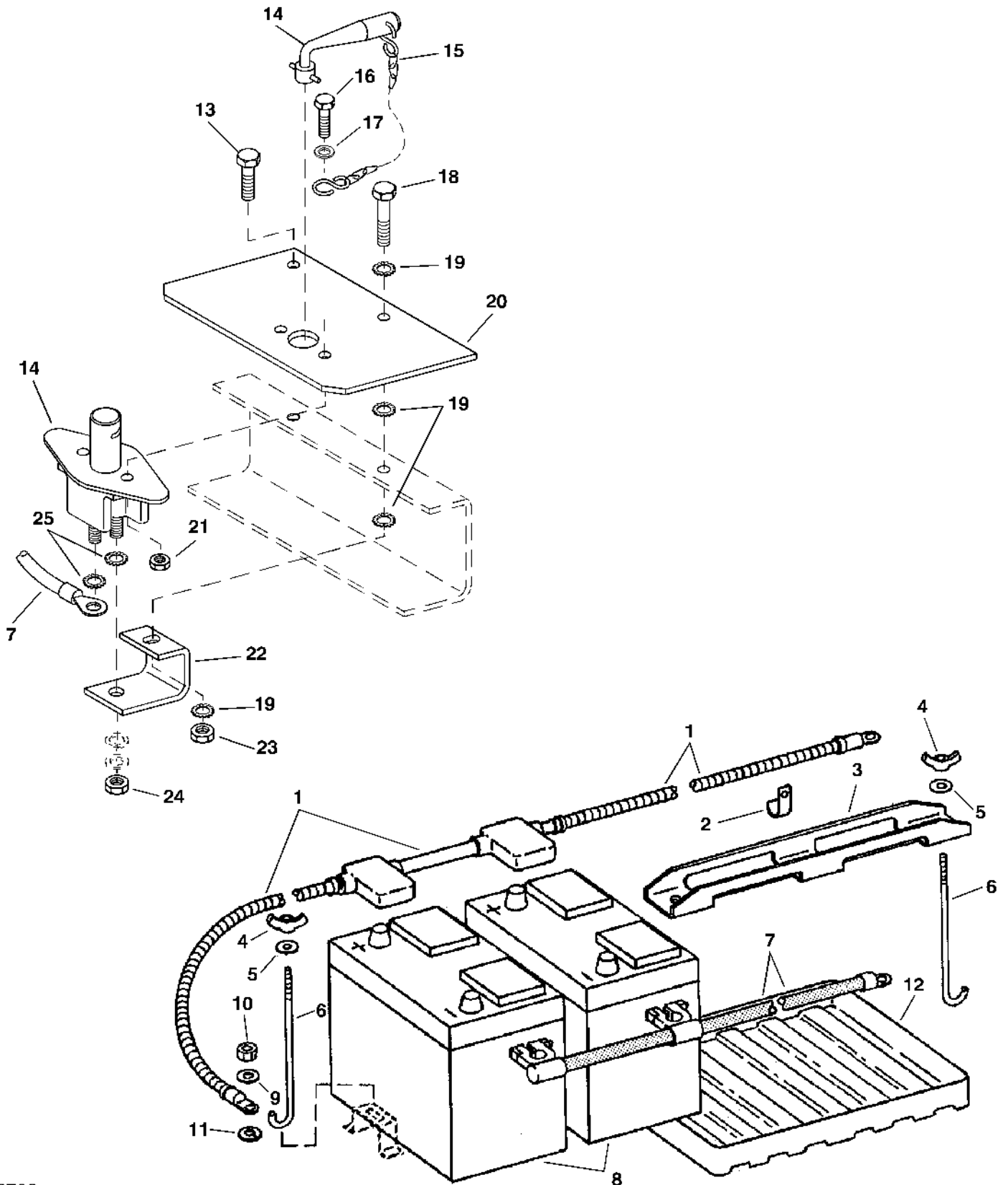
CONCAVE ADJUSTING MOTOR - CONTINUED

| KEY | PART NO. | PART NAME | QTY | SERIAL NO. | REMARKS |
|-----|----------|--------------------|-----|---------------|---|
| 1 | H98765 | PIN | 1 | -646819 | 12.700 X 60.500 MM (1/2" X 2.382") |
| | H148340 | PIN | 1 | 646820- | 12.700 X 60.500 MM (1/2" X 2.382") |
| 2 | B32630 | SPRING LOCKING PIN | 2 | | |
| 3 | AH134728 | ACTUATOR | 1 | | |
| 4 | 03M7192 | BOLT | 6 | -640300 | M10 X 30 |
| 5A | H139338 | STOP | 2 | -640300 | |
| 5B | H144801 | STOP | 1 | 640301-641716 | (SUB H146730) SHEET METAL |
| 5C | H146730 | STOP | 1 | | CASTING |
| 6 | H98494 | PIN | 1 | | 12.700 X 69.088 MM (1/2" X 2.720") FOR RASP |
| | H148340 | PIN | 1 | | BAR CONCAVE ONLY 12.700 X 60.500 MM (1/2" X 2.382") (SUB FOR H109146) FOR RASP BAR CONCAVE ONLY |
| 7 | 14M7296 | FLANGE NUT | 6 | -640300 | M10 |
| 8 | RE12363 | CONNECTOR | 1 | | (PKG OF 3) |
| | R78048 | TERMINAL NIPPLE | 1 | | (PKG OF 5) |
| | R78060 | SOCKET CONTACT | 1 | | (PKG OF 40) |
| 9 | 24H1654 | WASHER | 1 | | 14.275 X 37.313 X 2.667 MM (9/16" X 1-15/32" X 0.105") |
| 10 | 19M7812 | SCREW | 2 | 640301- | M10 X 100 |
| | 14M7296 | FLANGE NUT | 2 | 640301- | M10 |
| | 24M7178 | WASHER | 2 | 675301- | |

3F3

ELECTRICAL

BATTERIES, CABLES AND HOLDDOWN - FRENCH (670301-)
HP6708 -UN-14MAY97



HP6708

3F4

ELECTRICAL

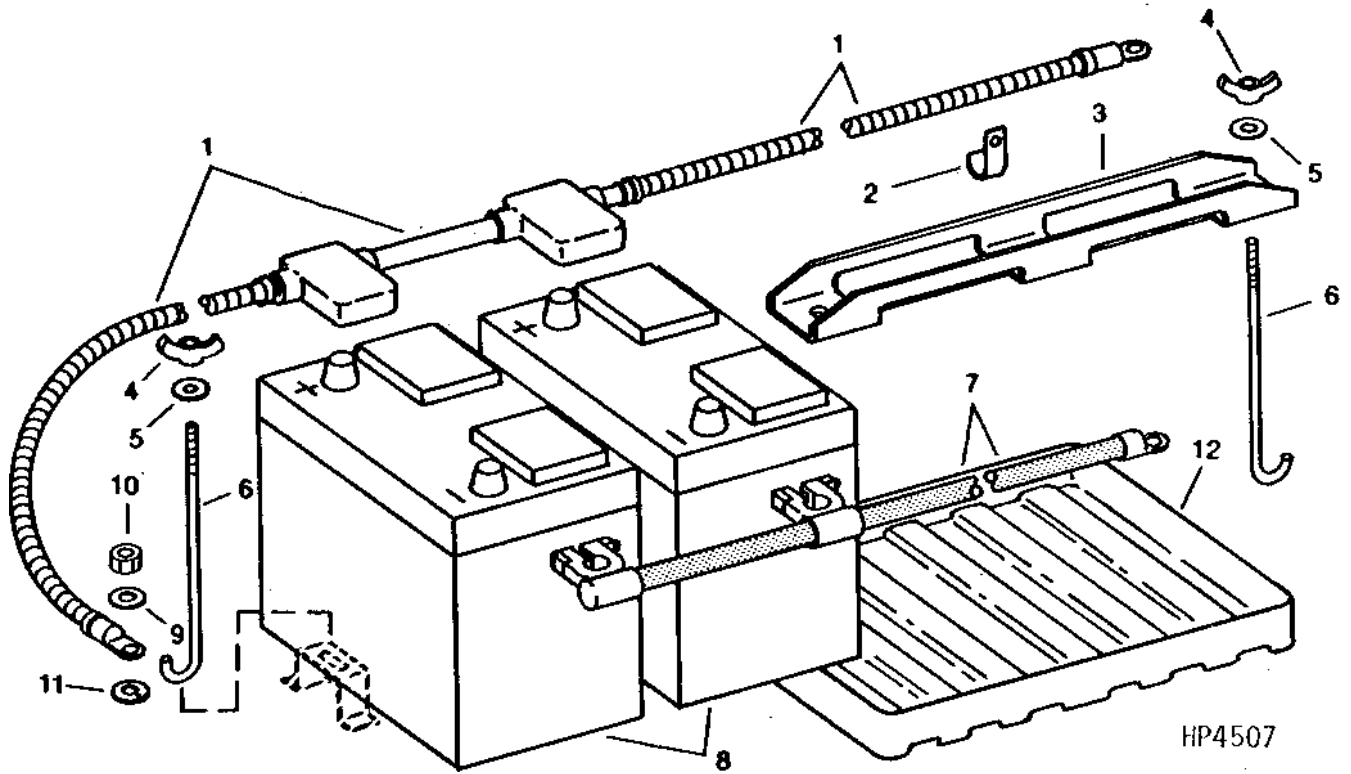
BATTERIES, CABLES AND HOLDDOWN - FRENCH (670301-)

| KEY | PART NO. | PART NAME | QTY | SERIAL NO. | REMARKS |
|-----|----------|-------------|-----|------------|--------------------------------|
| 1 | AH145256 | CABLE | 1 | | (SUB FOR AH128414 OR AH134250) |
| 2 | AH96317 | CLIP | 1 | | (SUB FOR AH89486) |
| 3 | H134000 | CLAMP | 1 | | |
| 4 | 14M7020 | WING NUT | 2 | | M8 |
| 5 | 24M7055 | WASHER | 2 | | 8.400 X 16 X 1.600 MM |
| 6 | H133998 | HOOK BOLT | 2 | | |
| | H158292 | HOOK BOLT | 2 | | |
| 7 | AH128413 | CABLE | 1 | | |
| 8 | TY21765 | BATTERY | 2 | | (SUB FOR TY6167) |
| 9 | 24M7054 | WASHER | 1 | | 6.400 X 12 X 1.600 MM |
| 10 | 14M7303 | FLANGE NUT | 1 | | M6 |
| 11 | 12M7081 | LOCK WASHER | 1 | | 6.400 MM |
| 12 | H144256 | TRAY | 2 | | |
| 13 | 37M7058 | SCREW | 1 | 670301- | M8 X 20 |
| 14 | AL68661 | SWITCH | 1 | 670301- | |
| 15 | AZ12018 | LINK CHAIN | 1 | 670301- | |
| 16 | 19M7862 | SCREW | 2 | 670301- | M6 X 20 |
| 17 | 24M7139 | WASHER | 1 | 670301- | 6.400 X 18 X 1.600 MM |
| 18 | 19M7868 | SCREW | 1 | 670301- | M8 X 30 |
| 19 | 12M7032 | LOCK WASHER | 4 | 670301- | 8.400 MM |
| 20 | H158115 | BRACKET | 1 | 670301- | |
| 21 | 14M7303 | FLANGE NUT | 2 | 670301- | M6 |
| 22 | H158181 | STRAP | 1 | 670301- | |
| 23 | 14M7166 | LOCK NUT | 1 | 670301- | M8 |
| 24 | 14M7361 | NUT | 1 | 670301- | M10 |
| 25 | 12M7033 | LOCK WASHER | 1 | 670301- | 10.500 MM |

3F5

ELECTRICAL

BATTERIES, CABLES AND HOLDDOWN
HP4507 -UN-01JAN94

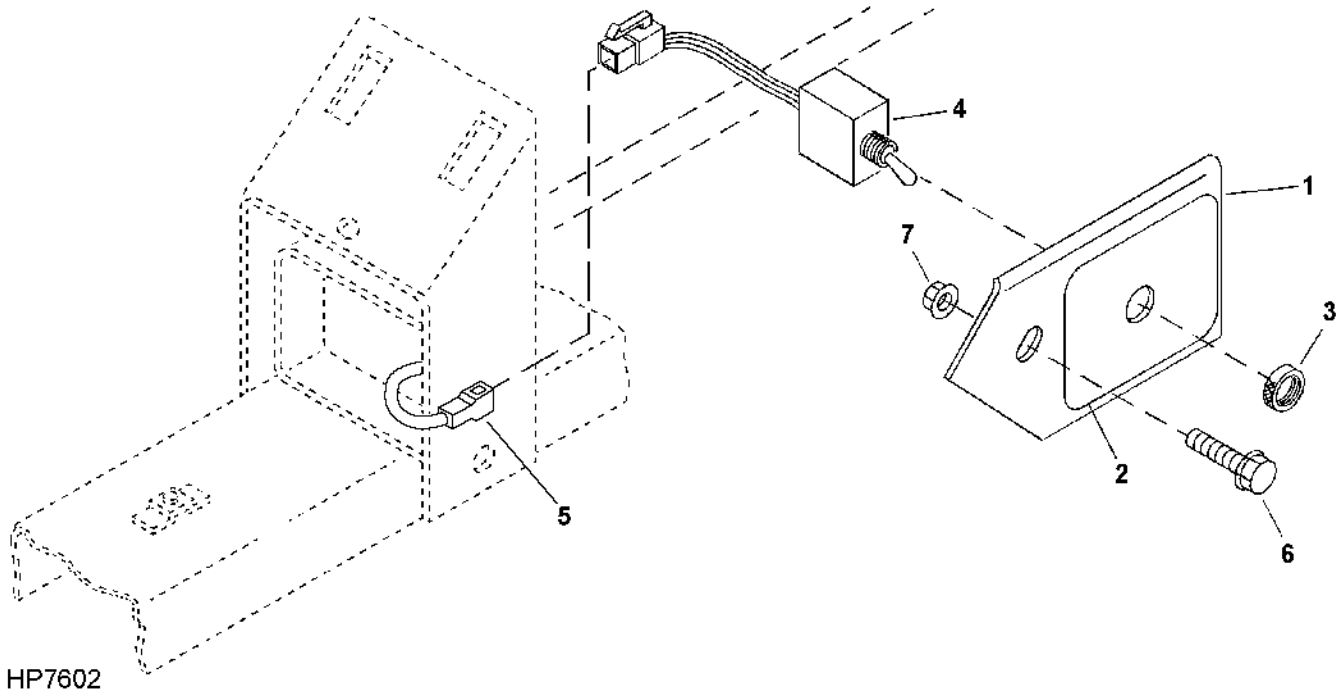


| KEY | PART NO. | PART NAME | QTY | SERIAL NO. | REMARKS |
|-----|----------|-------------|-----|------------|-----------------------|
| 1 | AH145256 | CABLE | 1 | | (SUB FOR AH134250) |
| 2 | AH96317 | CLIP | 1 | | (SUB FOR AH89486) |
| 3 | H134000 | CLAMP | 1 | | |
| 4 | 14M7020 | WING NUT | 2 | -27MY97 | M8 |
| | 14M7396 | LOCK NUT | 2 | 27MY97- | M8 |
| 5 | 24M7055 | WASHER | 2 | -27MY97 | 8.400 X 16 X 1.600 MM |
| 6 | H133998 | HOOK BOLT | 2 | | |
| | H158292 | HOOK BOLT | 2 | | |
| 7 | AH128413 | CABLE | 1 | | |
| 8 | TY21765 | BATTERY | 2 | | (SUB FOR TY6167) |
| 9 | 24M7054 | WASHER | 1 | | 6.400 X 12 X 1.600 MM |
| 10 | 14M7303 | FLANGE NUT | 1 | | M6 |
| 11 | 12M7081 | LOCK WASHER | 1 | | 6.400 MM |
| 12 | H144256 | TRAY | 2 | | |

3F6

ELECTRICAL

SHOE ADJUSTING LIGHT SWITCH
 HP7602 -UN-20AUG98



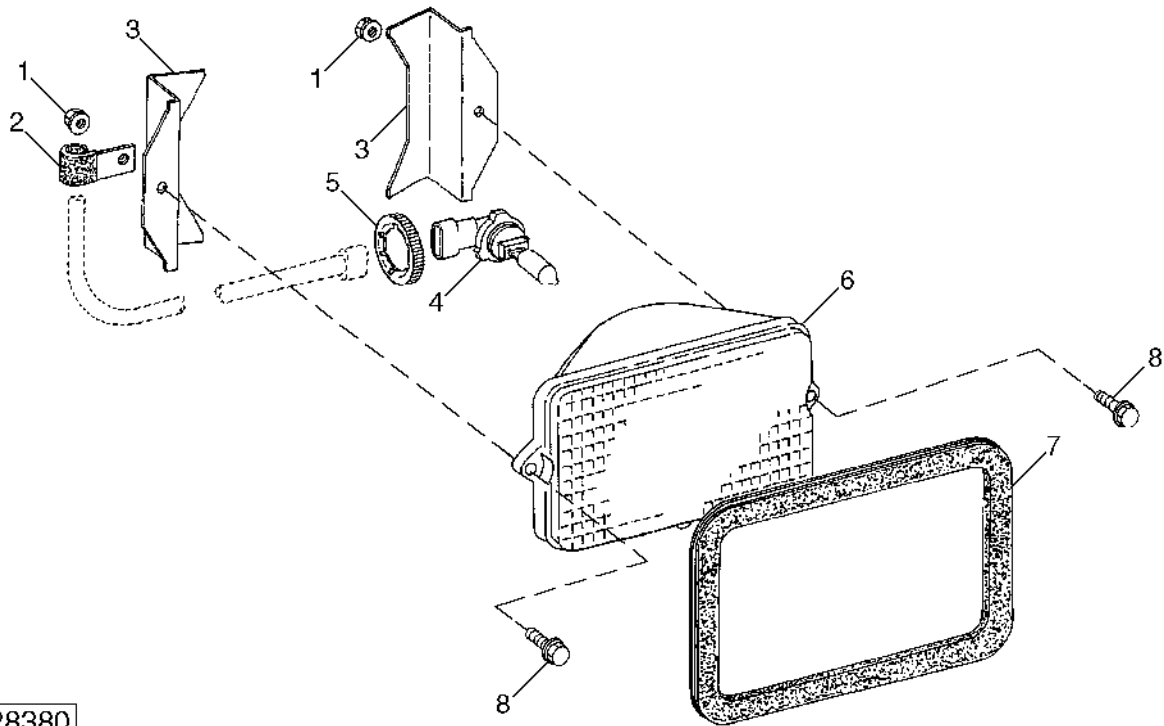
| KEY | PART NO. | PART NAME | QTY | SERIAL NO. | REMARKS |
|-----|----------------|------------------------------------|----------|------------|--|
| 1 | H164632 | BRACKET | 1 | 29SEP7- | |
| 2 | H166357 | LABEL | 1 | 29SEP7- | |
| 3 | H140248 | NUT | 1 | 29SEP7- | 0.468" |
| 4 | AH158310 | TOGGLE SWITCH | 1 | 29SEP7- | |
| 5 | AH158514 | WIRING HARNESS | 1 | 29SEP7- | |
| 6 | 19M7865 | SCREW | 1 | 29SEP7- | M8 X 16 |
| 7 | 14M7298 | FLANGE NUT | 1 | 29SEP7- | M8 |
| .. | BH81453 | COMPLETE GOODS/SHIP. BUNDLE | 1 | | SHOE ADJUSTING LIGHT CONVERSION |

3F7

ELECTRICAL

SIDE FINDER LIGHTS (L.H. AND R.H.)

HP8380 -UN-27JUL99



HP8380

| KEY | PART NO. | PART NAME | QTY | SERIAL NO. | REMARKS |
|-----|----------------|------------------------------------|----------|------------|--|
| 1 | 14M7303 | FLANGE NUT | 4 | M6 | |
| 2 | AH89557 | CLIP | 2 | | |
| 3 | H132687 | RETAINER | 4 | | |
| 4 | AH127718 | BULB | 2 | | |
| 5 | H132900 | RETAINER | 2 | | |
| 6 | AH128328 | FLOODLAMP | 2 | | |
| 7 | H132686 | GROMMET | 2 | -24NOV7 | |
| | H165252 | GROMMET | 2 | 24NOV7- | |
| 8 | 19M7774 | SCREW | 4 | M6 X 12 | |
| .. | H132666 | PLATE | 2 | | USED ONLY WITHOUT SIDE FINDER LIGHTS |
| .. | BH78337 | COMPLETE GOODS/SHIP. BUNDLE | 1 | | ROW FINDER LIGHTS |
| .. | BH81453 | COMPLETE GOODS/SHIP. BUNDLE | 1 | | SHOE ADJUSTING LIGHT CONVERSION |

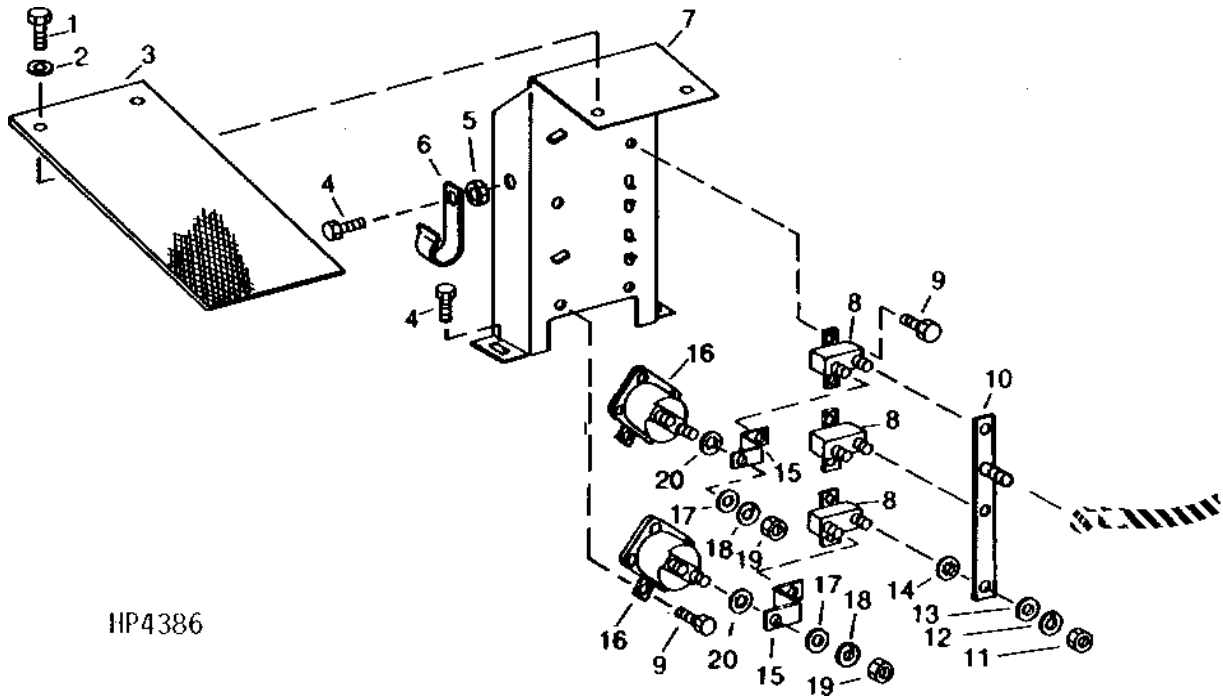
3F8

ELECTRICAL

CIRCUIT BREAKERS - ENGINE COMPARTMENT

(-660300)

HP4386 -UN-01JAN94



HP4386

| KEY | PART NO. | PART NAME | QTY | SERIAL NO. | REMARKS |
|-----|----------|-----------------|-----|------------|--|
| 1 | 19M7865 | SCREW | 2 | -650777 | M8 X 16 |
| | H116740 | PLUG | 2 | 650778- | |
| 2 | 24M7207 | WASHER | 2 | | 8.400 X 24 X 2 MM |
| 3 | H150923 | FLAP | 1 | | (SUB FOR H135224 OR H149121) |
| 4 | 19M7865 | SCREW | AR | | M8 X 16 |
| 5 | 14M7298 | FLANGE NUT | AR | | M8 |
| 6 | AH90990 | CLIP | 1 | | |
| 7 | AH131071 | PANEL | 1 | -650777 | (SUB (2) H116740, H164348 AND H150923) |
| | H164348 | PANEL | 1 | | (SUB FOR H149120 OR H150922) |
| 8 | AH112189 | CIRCUIT BREAKER | 3 | | |
| 9 | 37H147 | SCREW | 10 | | |
| 10 | AH145031 | STRAP | 1 | | (SUB FOR AH120900) |
| 11 | 14H631 | NUT | AR | | 4.826 MM (0.190") |
| 12 | 12H246 | LOCK WASHER | 10 | | 0.190" |
| 13 | 24M7027 | WASHER | 10 | | 5.300 X 10 X 1 MM |
| 14 | 12M7060 | WASHER | 10 | | 5.300 MM |
| 15 | H125347 | STRAP | 2 | | |
| 16 | AR73144 | RELAY | 2 | | |
| 17 | 24M7055 | WASHER | AR | | 8.400 X 16 X 1.600 MM |
| 18 | 12M7065 | LOCK WASHER | AR | | 0.319" |
| 19 | 14H785 | NUT | AR | | 5/16" |
| 20 | 12M7032 | LOCK WASHER | AR | | 8.400 MM |

3F9

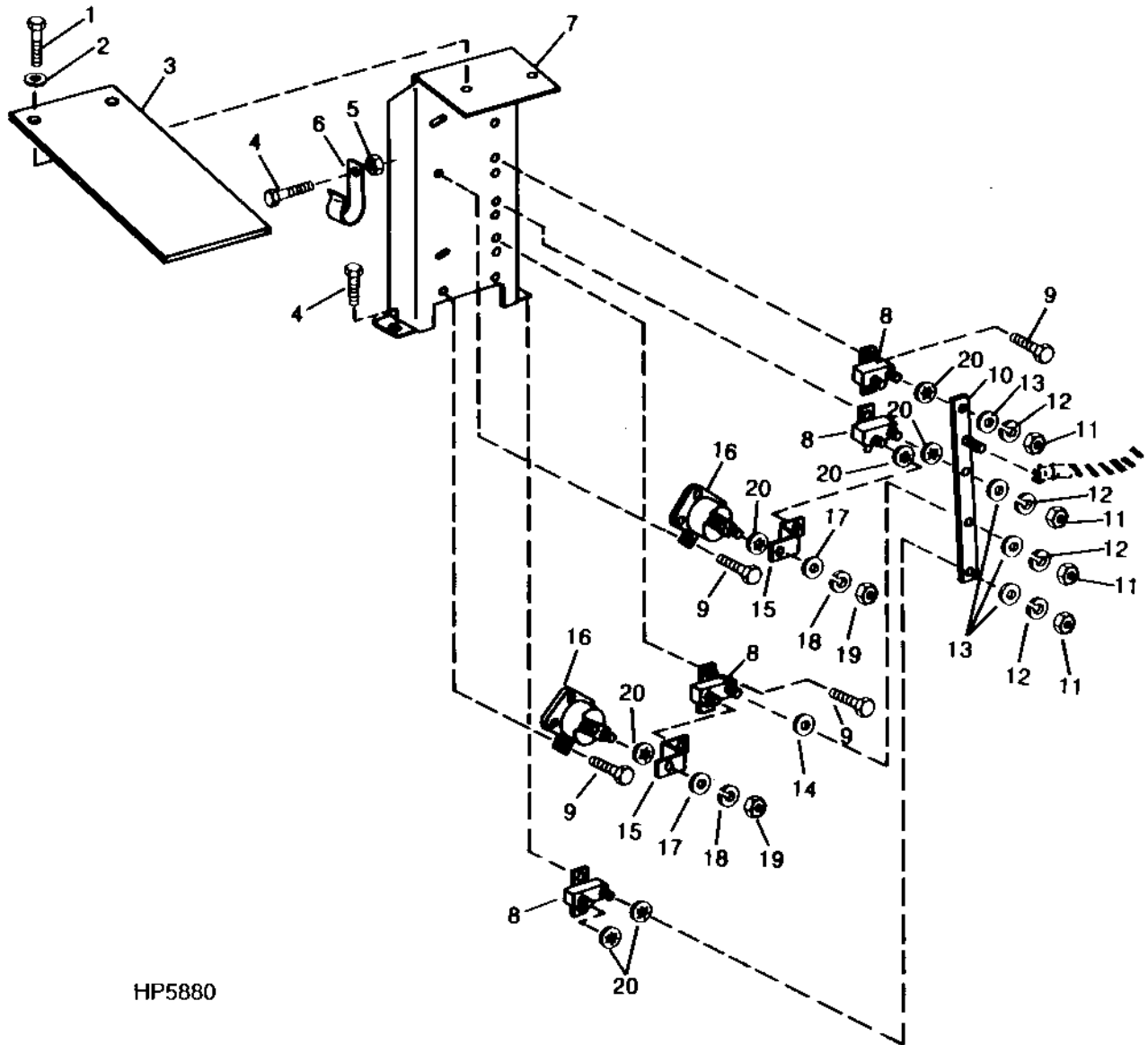
ELECTRICAL

CIRCUIT BREAKERS - ENGINE COMPARTMENT

(660301-8AUG97)

HP5880

-UN-17OCT94



HP5880

3F10

ELECTRICAL

**CIRCUIT BREAKERS - ENGINE COMPARTMENT - CONTINUED
(660301-8AUG97)**

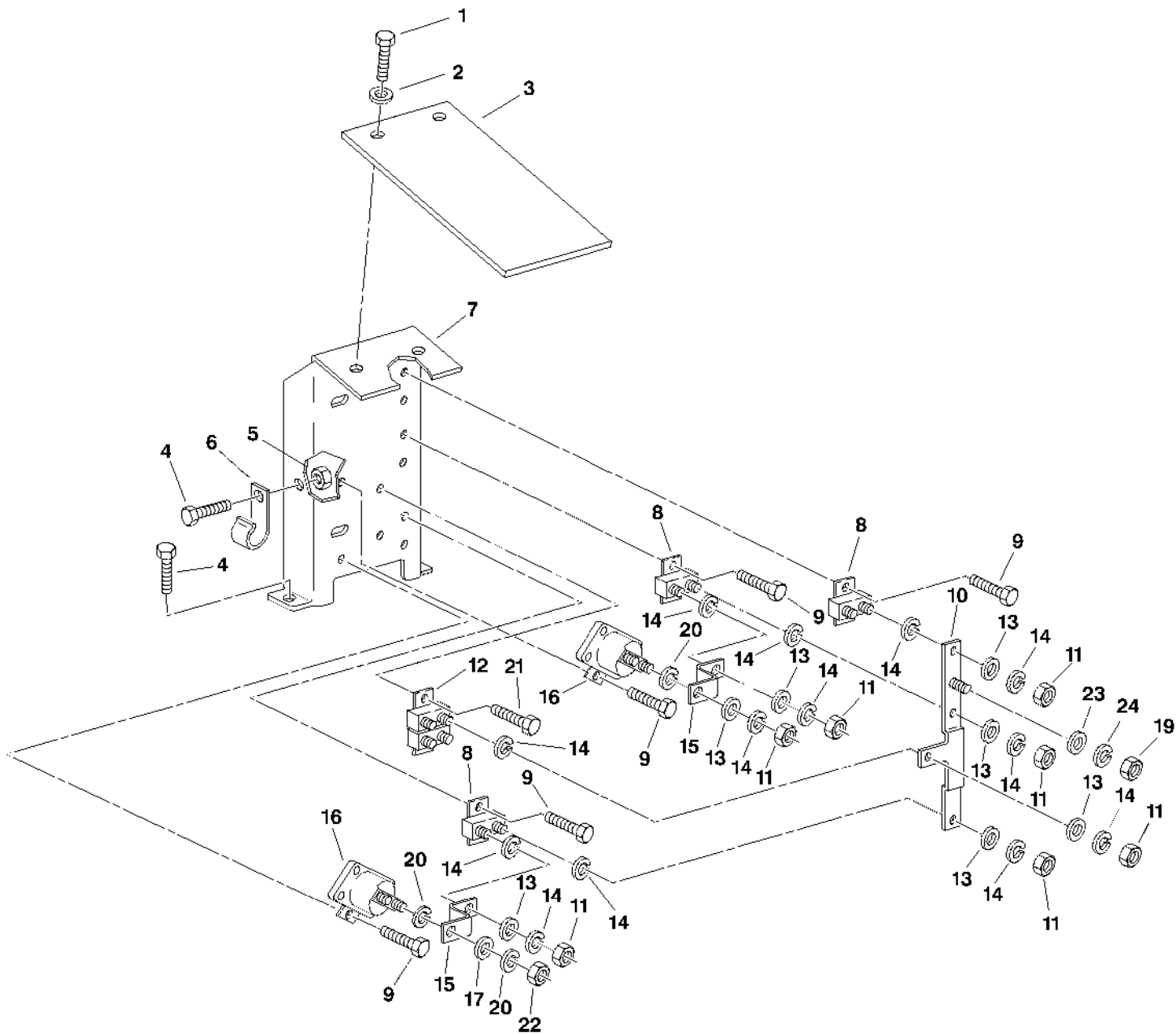
| KEY | PART NO. | PART NAME | QTY | SERIAL NO. | REMARKS |
|-----|----------|-----------------|-----|------------|--|
| 1 | H116740 | PLUG | 2 | | |
| 2 | 24M7207 | WASHER | 2 | | 8.400 X 24 X 2 MM (0.331" X 0.945" X 0.079") |
| 3 | H150923 | FLAP | 1 | | |
| 4 | 19M7865 | SCREW | AR | | M8 X 16 |
| 5 | 14M7298 | FLANGE NUT | AR | | M8 |
| 6 | AH90990 | CLIP | 1 | | |
| 7 | H164348 | PANEL | 1 | | (SUB FOR H150922) |
| 8 | AH112189 | CIRCUIT BREAKER | 4 | | |
| 9 | 37H147 | SCREW | 10 | | |
| 10 | AH145031 | STRAP | 1 | -29SEP7 | |
| 11 | 14H631 | NUT | AR | | 4.826 MM (0.190") |
| 12 | 12H246 | LOCK WASHER | AR | | 4.826 MM (0.190") |
| 13 | 24M7027 | WASHER | AR | | 5.300 X 10 X 1 MM (0.209" X 0.394" X 0.039") |
| 14 | 12M7060 | WASHER | AR | | 5.300 MM (0.209") |
| 15 | H125347 | STRAP | 2 | | |
| 16 | AR73144 | RELAY | 2 | | |
| 17 | 24M7055 | WASHER | AR | | 8.400 X 16 X 1.600 MM (0.331" X 0.630" X 0.063") |
| 18 | 12H303 | LOCK WASHER | AR | | 7.938 MM (5/16") |
| 19 | 14H785 | NUT | AR | | 7.925 MM (5/16") |
| 20 | 12M7032 | LOCK WASHER | AR | | 8.400 MM (0.331") |

3F11

ELECTRICAL

CIRCUIT BREAKERS - ENGINE COMPARTMENT

(8AUG97-)
HP7383 -UN-21JAN98



HP7383

3F12

ELECTRICAL

CIRCUIT BREAKERS - ENGINE COMPARTMENT - CONTINUED
(8AUG97-)

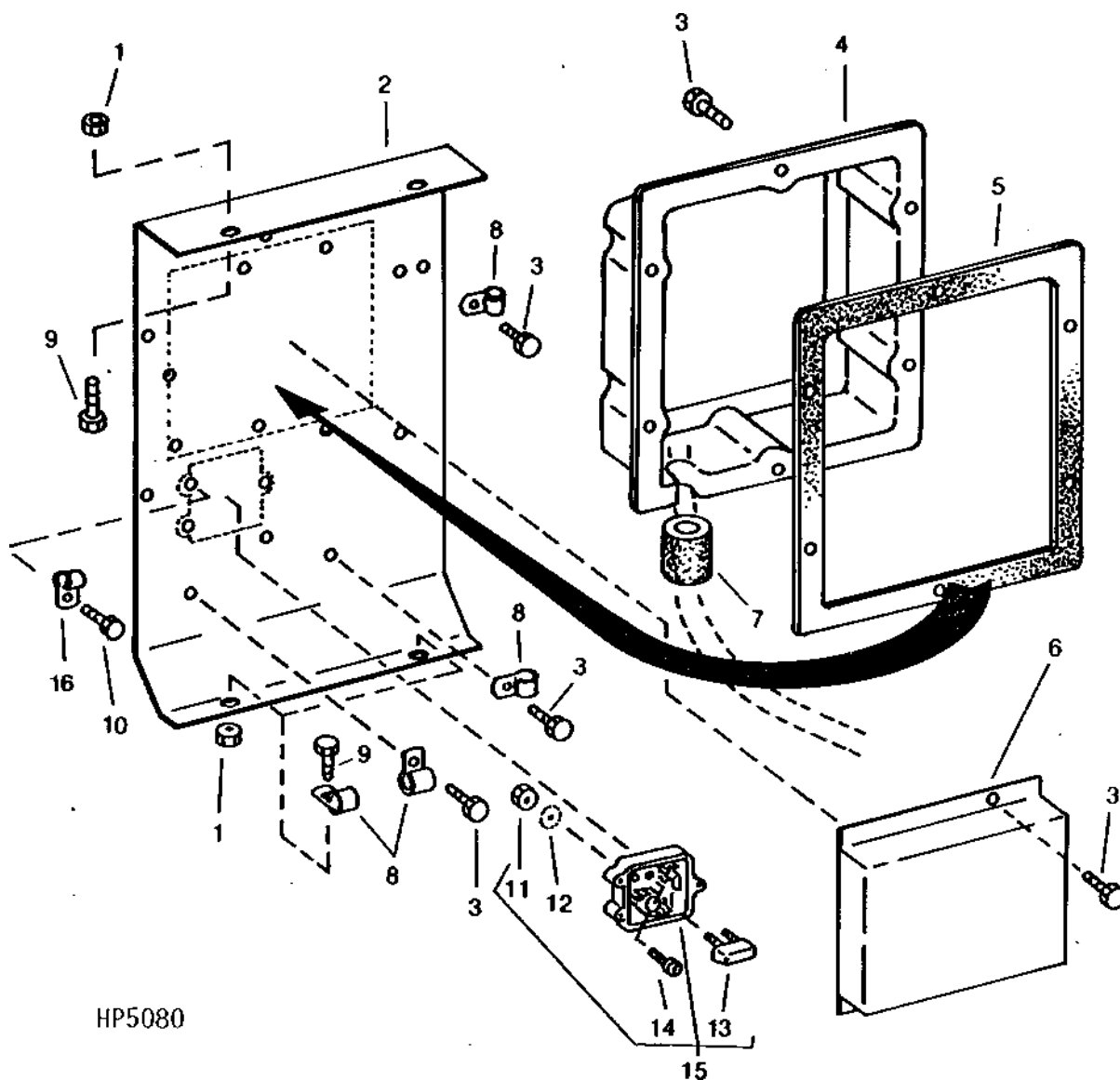
| KEY | PART NO. | PART NAME | QTY | SERIAL NO. | REMARKS |
|-----|----------|-----------------|-----|------------|--|
| 1 | H116740 | PLUG | 2 | | |
| 2 | 24M7207 | WASHER | 2 | | |
| 3 | H150923 | FLAP | 1 | | 8.400 X 24 X 2 MM (0.331" X 0.945" X 0.079") |
| 4 | 19M7865 | SCREW | 1 | | |
| 5 | 14M7298 | FLANGE NUT | 1 | | M8 X 16 |
| 6 | AH90990 | CLIP | 1 | | M8 |
| 7 | H164348 | PANEL | 1 | | |
| 8 | AH112189 | CIRCUIT BREAKER | 3 | | |
| 9 | 37H147 | SCREW | 8 | | |
| 10 | AH158604 | STRAP | 1 | | |
| 11 | R32176 | NUT | 7 | | |
| 12 | AH159105 | CIRCUIT BREAKER | 1 | | 100 AMP, DUAL 50A |
| 13 | 24M7027 | WASHER | 7 | | 5.300 X 10 X 1 MM |
| 14 | 12M7060 | WASHER | 12 | | 5.300 MM |
| 15 | H125347 | STRAP | 2 | | |
| 16 | AR73144 | RELAY | 2 | | |
| 17 | 24M7055 | WASHER | 1 | | 8.400 X 16 X 1.600 MM (0.331" X 0.630" X 0.063") |
| 18 | 12M7081 | LOCK WASHER | 1 | | 6.400 MM (0.252") M6.4 |
| 19 | 14H860 | NUT | 1 | | 6.350 MM (1/4") M6 |
| 20 | 12M7032 | LOCK WASHER | 1 | | 8.400 MM (0.331") |
| 21 | 37H129 | SCREW | 1 | | 10 X 5/8 |
| 22 | 14H785 | NUT | 1 | | 7.925 MM (5/16") 5/16 |
| 23 | 24M7054 | WASHER | 1 | | 6.400 X 12 X 1.600 MM, M6.4 X 12.5 X 1.6 |
| 24 | 12H302 | LOCK WASHER | 1 | | 6.350 MM (1/4") |

3F13

ELECTRICAL

ELECTRONIC CONTROL UNIT (ECU) MOUNTING SUPPORT

HP5080 -UN-01JAN94



HP5080

3F14

ELECTRICAL

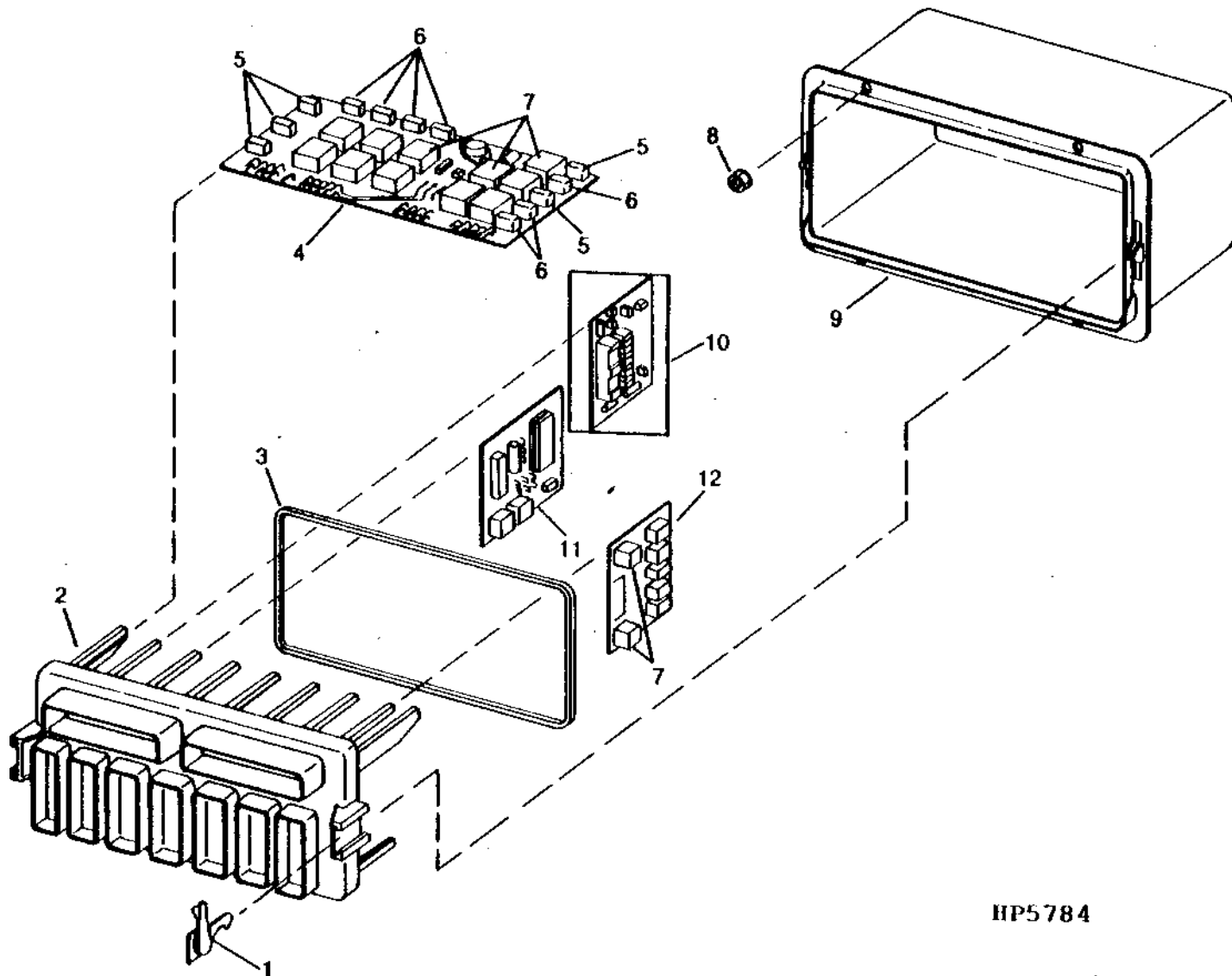
ELECTRONIC CONTROL UNIT (ECU) MOUNTING SUPPORT - CONTINUED

| KEY | PART NO. | PART NAME | QTY | SERIAL NO. | REMARKS |
|-----|----------|-------------------|-----|---------------|--|
| 1 | 14M7298 | FLANGE NUT | 4 | | M8 |
| 2 | AH130497 | PLATE | 1 | -671583 | |
| | AH153815 | PLATE | 1 | 671584- | |
| 3 | 19M7862 | SCREW | 9 | | M6 X 20 |
| | 19M7862 | SCREW | 4 | -660300 | M6 X 20, (USE WITH RE43388) (NIPPONDENSO) |
| | 19M7862 | SCREW | 3 | | M6 X 20, (USE WITH RE38235) (BOSCH) |
| | 19M7774 | SCREW | 3 | 660301-671583 | M6 X 12 |
| | 19M7721 | CAP SCREW | 3 | 671584- | M6 X 65 |
| 4 | H134474 | COVER | 1 | | |
| 5 | H134475 | SEAL | 1 | | |
| 6 | | ENGINE CONTROLLER | 1 | | FOR PARTS, SEE SECTION 25/26 FUEL INJECTION PUMP |
| 7 | H134476 | ISOLATOR | 1 | -671583 | |
| 8 | AH96317 | CLIP | 5 | | (SUB FOR AH89486) |
| 9 | 19M7865 | SCREW | 4 | | M8 X 16 |
| 10 | 19M8290 | SCREW | 3 | -671583 | M6 X 35 |
| 11 | 14H631 | NUT | 2 | | 0.190" |
| 12 | 12H295 | LOCK WASHER | 2 | | 0.190" |
| 13 | AR56671 | CIRCUIT BREAKER | 1 | | |
| 14 | | SCREW | 2 | | |
| 15 | AH108414 | PRINTED CIRCUIT | 1 | -21JA97 | |
| 16 | AH90990 | CLIP | 1 | 645301- | |
| .. | H116160 | SEALANT | 1 | | 3 OZ. TUBE |

3F15

ELECTRICAL

CENTRAL ELECTRONICS MODULE AND CIRCUIT BOARDS
HP5784 -UN-01JAN94



HP5784

3F16

ELECTRICAL

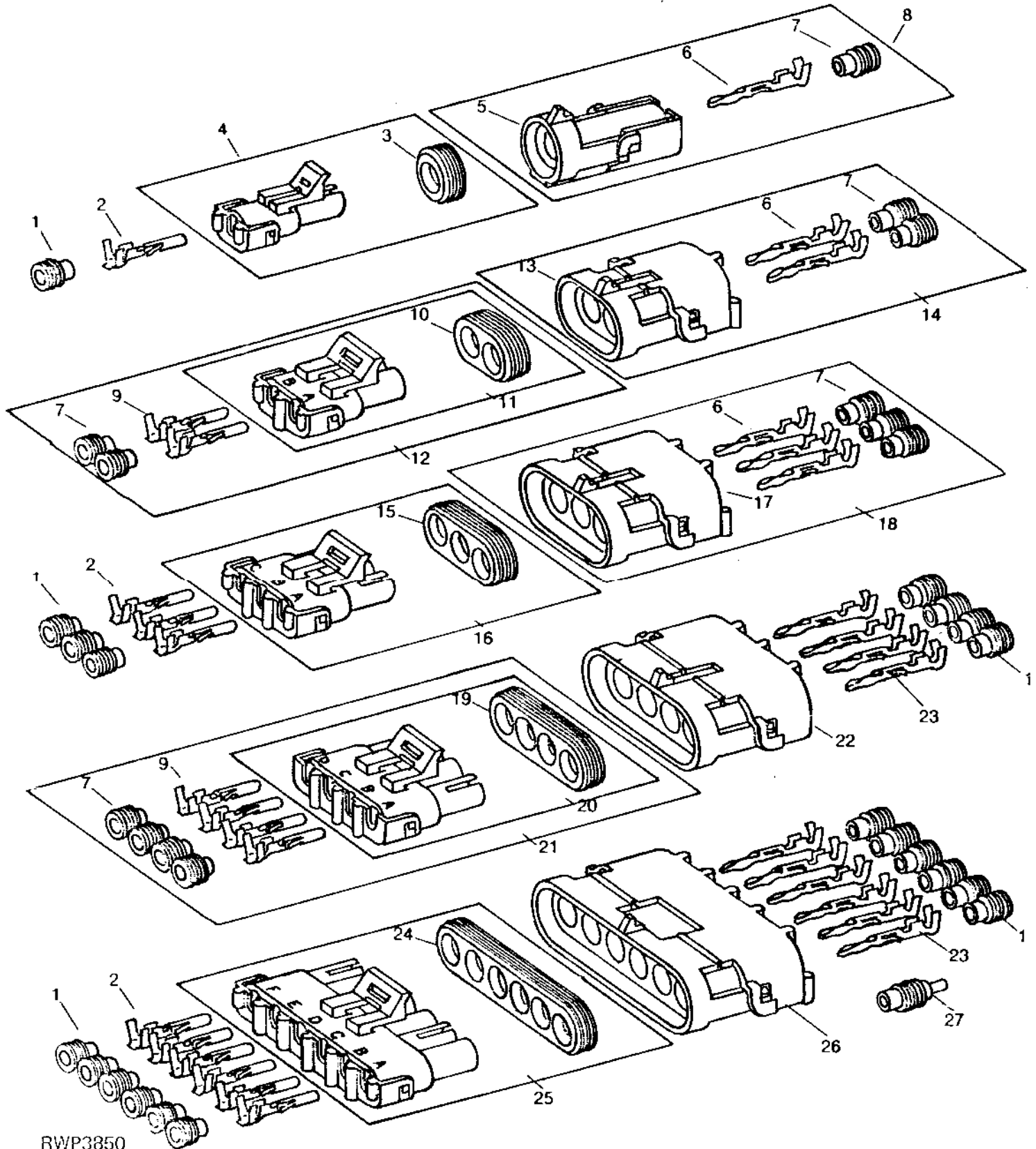
CENTRAL ELECTRONICS MODULE AND CIRCUIT BOARDS - CONTINUED

| KEY | PART NO. | PART NAME | QTY | SERIAL NO. | REMARKS |
|-----|----------------|------------------------------------|----------|---------------|--|
| 1 | AH115943 | LATCH | 2 | | |
| 2 | H124206 | COVER | 1 | | |
| 3 | H144242 | SEAL | 1 | | |
| 4 | AH134447 | CIRCUIT BOARD | 1 | -640300 | WORKS FOR ALL |
| | AH132208 | CIRCUIT BOARD | 1 | 640301-640655 | (SUB AH132208) (POWER) |
| | AH140078 | CIRCUIT BOARD | 1 | -655300 | (SUB AH140078) (POWER) |
| | | | | | (SUB AH143711) POWER; ADAPTER HARNESS |
| | | | | | AH144381 PLUS TWO ADAPTER AH106612 RELAYS |
| | | | | | MUST BE ORDERED WITH AH143711 POWER CIRCUIT |
| | | | | | BOARD WHEN INSTALLED ON COMBINES WITH |
| | | | | | SERIAL NUMBERS UNDER 655300 IN COMBINATION |
| | | | | | WITH EXISTING L.H. MAIN WIRING HARNESS AND |
| | | | | | FAN SPEED ADJUST FAN. |
| | | | | | ADAPTER HARNESS AH144382 MUST |
| | | | | | BE ORDERED WITH AH143711 POWER CIRCUIT |
| | | | | | BOARD AND AH143903 FAN SPEED ADJUST MOTOR |
| | | | | | WHEN INSTALLED ON COMBINES WITH SERIAL |
| | | | | | NUMBERS UNDER 655300 IN COMBINATION WITH |
| | | | | | EXISTING L.H. MAIN HARNESS. |
| | AH140078 | CIRCUIT BOARD | 1 | -655300 | (SUB AH143711) ADAPTER HARNESS AH144383 PLUS |
| | | | | | TWO ADAPTER AH106612 RELAYS MUST BE ORDERED |
| | | | | | WITH AH143711 POWER DISTRIBUTION BOARD AND |
| | | | | | AH143900 L.H. MAIN HARNESS WHEN INSTALLED |
| | | | | | ON COMBINES WITH SERIAL NUMBERS UNDER |
| | | | | | 655300 IN COMBINATION WITH EXISTING FAN |
| | | | | | SPEED ADJUST FAN. |
| | AH143711 | CIRCUIT BOARD | 1 | -660300 | (SUB AH145699) POWER |
| | AH145699 | CIRCUIT BOARD | 1 | | POWER (W/O RELAYS AND CIRCUIT BREAKERS) |
| | AH134686 | CIRCUIT BOARD | 1 | -655300 | (SUB AH143719) (POWER) EXPORT ONLY ADAPTER |
| | | | | | HARNESS AH144381 PLUS TWO ADAPTER AH106612 |
| | | | | | RELAYS MUST BE ORDERED WITH AH143719 POWER |
| | | | | | CIRCUIT BOARD WHEN INSTALLED ON COMBINES |
| | | | | | WITH SERIAL NUMBERS UNDER 655300 IN |
| | | | | | COMBINATION WITH EXISTING L.H. MAIN HARNESS |
| | | | | | AND FAN SPEED ADJUST FAN. |
| | | | | | |
| | | | | | ADAPTER HARNESS AH144382 MUST BE ORDERED |
| | | | | | WITH AH143711 POWER CIRCUIT BOARD AND |
| | | | | | AH143903 FAN SPEED ADJUST MOTOR WHEN |
| | | | | | INSTALLED ON COMBINES WITH SERIAL NUMBERS |
| | | | | | UNDER 655300 IN COMBINATION WITH EXISTING |
| | | | | | L.H. MAIN HARNESS. |
| | AH143719 | CIRCUIT BOARD | 1 | -660300 | (SUB AH145700) (EXPORT ONLY) |
| | AH145700 | CIRCUIT BOARD | 1 | -668400 | EXPORT ONLY |
| | AH136356 | SCREW AND WASHER KIT | 2 | | |
| | AH152619 | CIRCUIT BOARD | 1 | 668401- | (EXPORT ONLY) |
| 5 | AH122139 | CIRCUIT BREAKER | 5 | | |
| 6 | AH127677 | CIRCUIT BREAKER | 7 | | |
| 7 | AH106612 | RELAY | 13 | | |
| 8 | 14M7303 | FLANGE NUT | 4 | | M6 |
| 9 | H124205 | BOX | 1 | | |
| 10 | AH125485 | CIRCUIT BOARD | 1 | -640300 | SHAFT SPEED, (SUB AH137238) |
| | AH137238 | CIRCUIT BOARD | 1 | 640301-642300 | SHAFT SPEED (SEE OVERHEAD CONSOLE PANEL) |
| 11 | AH128397 | CIRCUIT BOARD | 1 | -641944 | DIAL-A-SPEED, (SUB AH142442) |
| | AH134681 | CIRCUIT BOARD | 1 | 641945-645300 | DIAL-A-SPEED NO LONGER AVAILABLE |
| | AH128397 | CIRCUIT BOARD | 1 | 645301-650336 | (SUB AH142442) DIAL-A-SPEED |
| | AH142442 | CIRCUIT BOARD | 1 | 650337-660300 | DIAL-A-SPEED |
| | AH144433 | CIRCUIT BOARD | 1 | 660301-660380 | (SUB AH145964) REEL SPEED |
| | AH145964 | CIRCUIT BOARD | 1 | | REEL SPEED |
| 12 | AH130102 | PRINTED CIRCUIT | 1 | -635492 | (SUB AH136498) (DIAL-A-MATIC) |
| | AH136498 | CIRCUIT BOARD | 1 | -655389 | (DIAL-A-MATIC) |
| | AH143745 | CIRCUIT BOARD | 1 | 655390-657573 | (W/O CONTOUR MASTER) (DIAL-A-MATIC) |
| | AH145701 | CIRCUIT BOARD | 1 | 657574- | (W/O CONTOUR MASTER) DIAL-A-MATIC |
| | AH137147 | CIRCUIT BOARD | 1 | 660301- | (W/CONTOUR MASTER) |
| .. | BH79902 | COMPLETE GOODS/SHIP. BUNDLE | 1 | | HEADER TRANSPORT WARNING LIGHTS |
| .. | BH79970 | COMPLETE GOODS/SHIP. BUNDLE | 1 | | HEADER TRANSPORT WARNING LIGHTS |
| .. | BH79485 | COMPLETE GOODS/SHIP. BUNDLE | 1 | | DIAL-A-SPEED CONTROL |

3F17

ELECTRICAL

WEATHERPACK TERMINALS AND CONNECTORS
RWP3850 -UN-01JAN94



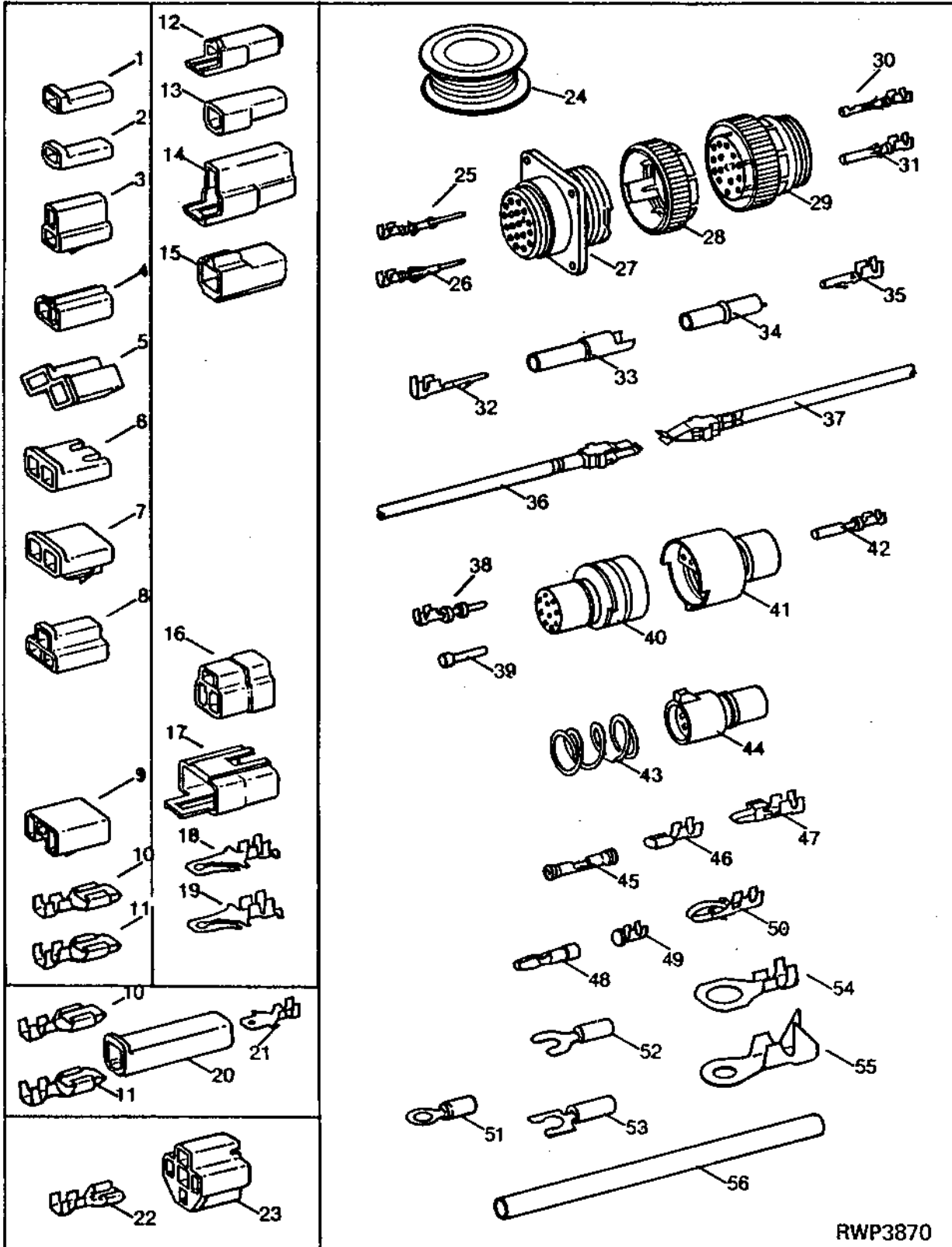
WEATHERPACK TERMINALS AND CONNECTORS - CONTINUED

| KEY | PART NO. | PART NAME | QTY | SERIAL NO. | REMARKS |
|-----|----------|----------------------------|-----|--------------|------------------------------|
| 1 | R78063 | TERMINAL NIPPLE | 1 | (PKG. OF 40) | (16 GA. WIRE) (GRAY) |
| | R78059 | ELECTRICAL PLUG | 1 | (PKG. OF 40) | (18 OR 20 GA. WIRE) (GREEN) |
| | R78062 | TERMINAL NIPPLE | 1 | (PKG. OF 40) | (14 GA. WIRE) (BLUE) |
| 2 | R78057 | SOCKET CONTACT | 1 | (PKG. OF 40) | (18 OR 20 GA. WIRE) (NO. 19) |
| | R78060 | SOCKET CONTACT | 1 | (PKG. OF 40) | (14 OR 16 GA. WIRE) (NO. 15) |
| 3 | R78047 | SEAL | 1 | (PKG. OF 5) | |
| 4 | RE12362 | CONNECTOR | 1 | (PKG. OF 3) | |
| 5 | R78052 | PIN CONTACT CONNECTOR BODY | 1 | (PKG. OF 3) | |
| 6 | R78061 | PIN CONTACT | 1 | (PKG. OF 40) | (14 OR 16 GA. WIRE) (NO. 15) |
| 7 | R78063 | TERMINAL NIPPLE | 1 | (PKG. OF 40) | (16 GA. WIRE) (GRAY) |
| 8 | RE12334 | CONNECTOR | 1 | | |
| 9 | R78060 | SOCKET CONTACT | 1 | (PKG. OF 40) | (14 OR 16 GA. WIRE) (NO. 15) |
| 10 | R78048 | TERMINAL NIPPLE | 1 | (PKG. OF 5) | |
| 11 | RE12363 | CONNECTOR | 1 | (PKG. OF 3) | |
| 12 | RE12331 | CONNECTOR | 1 | | |
| 13 | R78053 | PIN CONTACT CONNECTOR BODY | 1 | (PKG. OF 3) | |
| 14 | RE12330 | CONNECTOR | 1 | | |
| 15 | R78049 | SEAL | 1 | (PKG. OF 5) | |
| 16 | RE12364 | SOCKET CONT.CONNECTOR BODY | 1 | (PKG. OF 3) | |
| 17 | R78054 | PIN CONTACT CONNECTOR BODY | 1 | (PKG. OF 3) | |
| 18 | RE12332 | CONNECTOR | 1 | | |
| 19 | R78050 | SEAL | 1 | (PKG. OF 5) | |
| 20 | RE12365 | CONNECTOR | 1 | (PKG. OF 2) | |
| 21 | RE12333 | CONNECTOR | 1 | | |
| 22 | R78055 | PIN CONTACT CONNECTOR BODY | 1 | (PKG. OF 2) | |
| 23 | R78061 | PIN CONTACT | 1 | (PKG. OF 40) | (14 OR 16 GA. WIRE) (NO. 15) |
| | R78058 | PIN CONTACT | 1 | (PKG. OF 40) | (18 OR 20 GA. WIRE) (NO. 19) |
| 24 | R78051 | SEAL | 1 | (PKG. OF 5) | |
| 25 | RE12366 | CONNECTOR | 1 | (PKG. OF 2) | |
| 26 | R78056 | PIN CONTACT CONNECTOR BODY | 1 | (PKG. OF 2) | |
| 27 | R78064 | ELECTRICAL PLUG | 1 | (PKG. OF 40) | |

3F19

ELECTRICAL

ELECTRICAL CONNECTOR SERVICE KIT
RWP3870 -UN-01JAN94



RWP3870

3F20

ELECTRICAL

ELECTRICAL CONNECTOR SERVICE KIT - CONTINUED

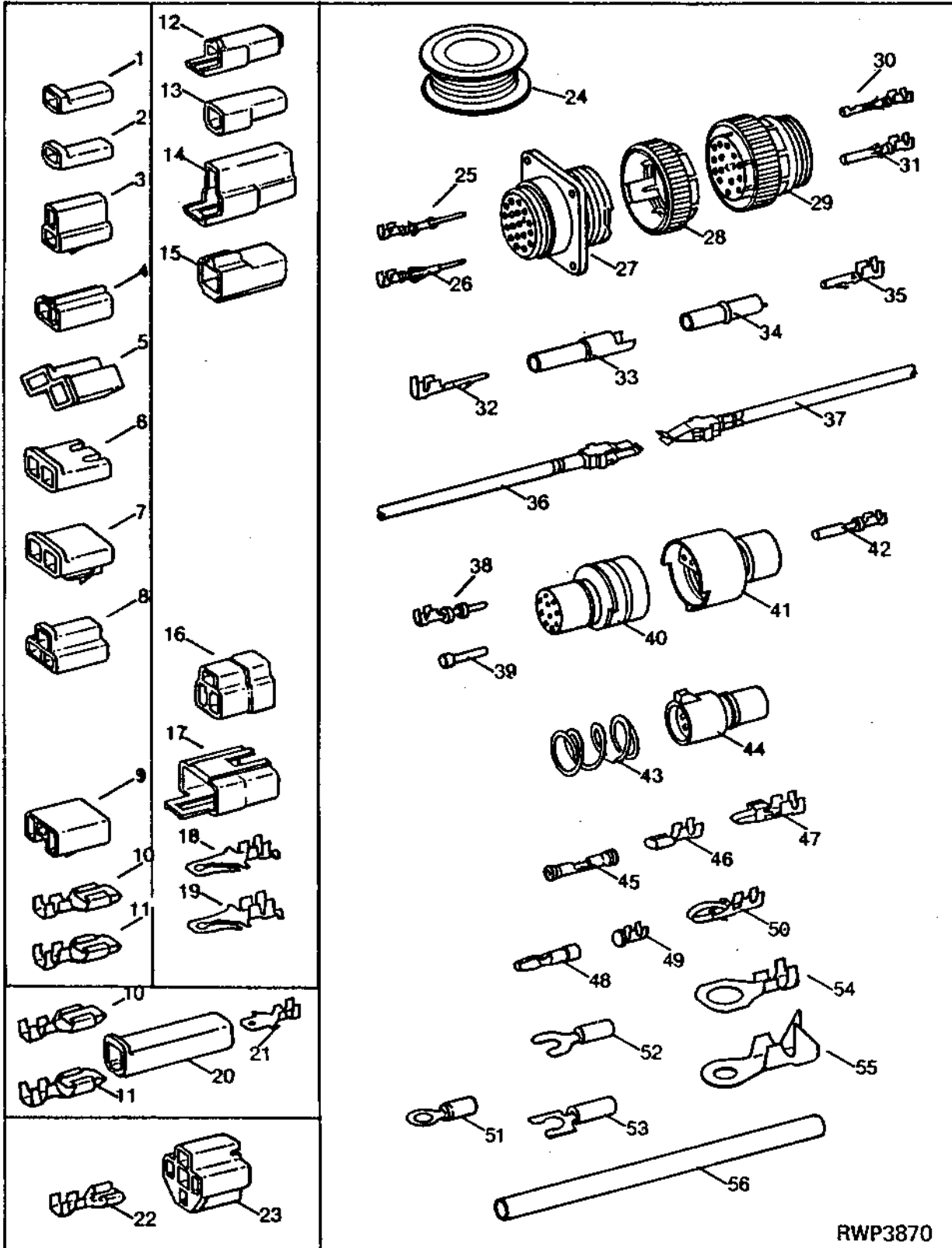
| KEY | PART NO. | PART NAME | QTY | SERIAL NO. | REMARKS |
|-----|----------|---------------------------|-----|--------------------------------------|---------|
| 1 | T28583 | RECEPTACLE CONNECTOR BODY | 1 | (B) | |
| 2 | M43835 | FLAT CONNECTOR | 1 | (B) | |
| 3 | R77476 | CONNECTOR | 1 | (A) | |
| 4 | R77477 | RECEPTACLE CONNECTOR BODY | 1 | (A) | |
| 5 | R77479 | CONNECTOR | 1 | (A) | |
| 6 | R77480 | RECEPTACLE CONNECTOR BODY | 1 | (A) | |
| 7 | R77481 | CONNECTOR | 1 | (A) | |
| 8 | R77482 | CONNECTOR | 1 | | |
| 9 | H104855 | RECEPTACLE CONNECTOR BODY | 1 | | |
| 10 | U46662 | TERMINAL | 1 | (E) (F) | |
| 11 | N115096 | TERMINAL | 1 | (G) (PKG. OF 15) | |
| 12 | T28585 | TAB CONNECTOR BODY | 1 | (B) | |
| 13 | R77475 | CONNECTOR | 1 | (B) | |
| 14 | T28586 | CONNECTOR | 1 | (A) | |
| 15 | R77478 | CONNECTOR | 1 | (A) | |
| 16 | R77483 | CONNECTOR | 1 | | |
| 17 | R48887 | TAB CONNECTOR BODY | 1 | | |
| 18 | T34067 | TERMINAL | 1 | (E) (F) | |
| 19 | R77484 | TERMINAL | 1 | (G) (PKG. OF 15) | |
| 20 | U46370 | CONNECTOR | 1 | (B) | |
| 21 | R77485 | TAB | 1 | (C) (F) | |
| 22 | R77486 | TERMINAL | 1 | (E) | |
| 23 | R77487 | CONNECTOR | 1 | (B) | |
| 24 | R66321 | WIRING LEAD | 1 | 15M (50 FT.) 10 GA. | |
| | R66320 | WIRING LEAD | 1 | 30.5M (100 FT.) 12 GA. | |
| | R77501 | WIRE | 1 | 30.5M (100 FT.) 14 GA. | |
| | R77500 | WIRE | 1 | 30.5M (100 FT.) 16 GA. | |
| | R77499 | WIRE | 1 | 30.5M (100 FT.) 18 GA. (SUB TY16086) | |
| | TY16086 | WIRE | 1 | | |
| | R77498 | WIRE | 1 | 30.5M (100 FT.) 20 GA. | |
| 25 | R77462 | PIN CONTACT | 1 | (PKG. OF 40) 20-22 OR 24 GA. WIRE | |
| 26 | R77464 | PIN CONTACT | 1 | (H) (PKG. OF 50) | |
| 27 | R77456 | RECEPTACLE | 1 | (37 WAY) | |
| 28 | R77458 | CONNECTOR | 1 | (A) SIZE 23 | |
| | R77459 | CONNECTOR | 1 | (A) SIZE 17 | |
| | R77460 | CONNECTOR | 1 | (A) SIZE 13 | |
| | R77461 | CONNECTOR | 1 | (A) SIZE 11 | |
| 29 | R77457 | ELECTRICAL PLUG | 1 | 37 WAY | |
| 30 | R77463 | SOCKET CONTACT | 1 | (PKG. OF 40) 20-22 OR 24 GA. WIRE | |
| 31 | R77465 | SOCKET CONTACT | 1 | (H) (PKG. OF 50) | |
| 32 | R77468 | TERMINAL | 1 | (PKG. OF 5) 18 GA. | |
| 33 | R77466 | CONNECTOR | 1 | (A) | |
| 34 | R77467 | CONNECTOR | 1 | (A) | |

- (A) PKG. OF 2
- (B) PKG. OF 3
- (C) PKG. OF 10
- (D) PKG. OF 20
- (E) PKG. OF 25
- (F) 14 OR 16 GA. WIRE
- (G) 10 OR 12 GA. WIRE
- (H) 14-16 OR 18 GA. WIRE

3F21

ELECTRICAL

ELECTRICAL CONNECTOR SERVICE KIT
RWP3870 -UN-01JAN94



RWP3870

ELECTRICAL CONNECTOR SERVICE KIT - CONTINUED

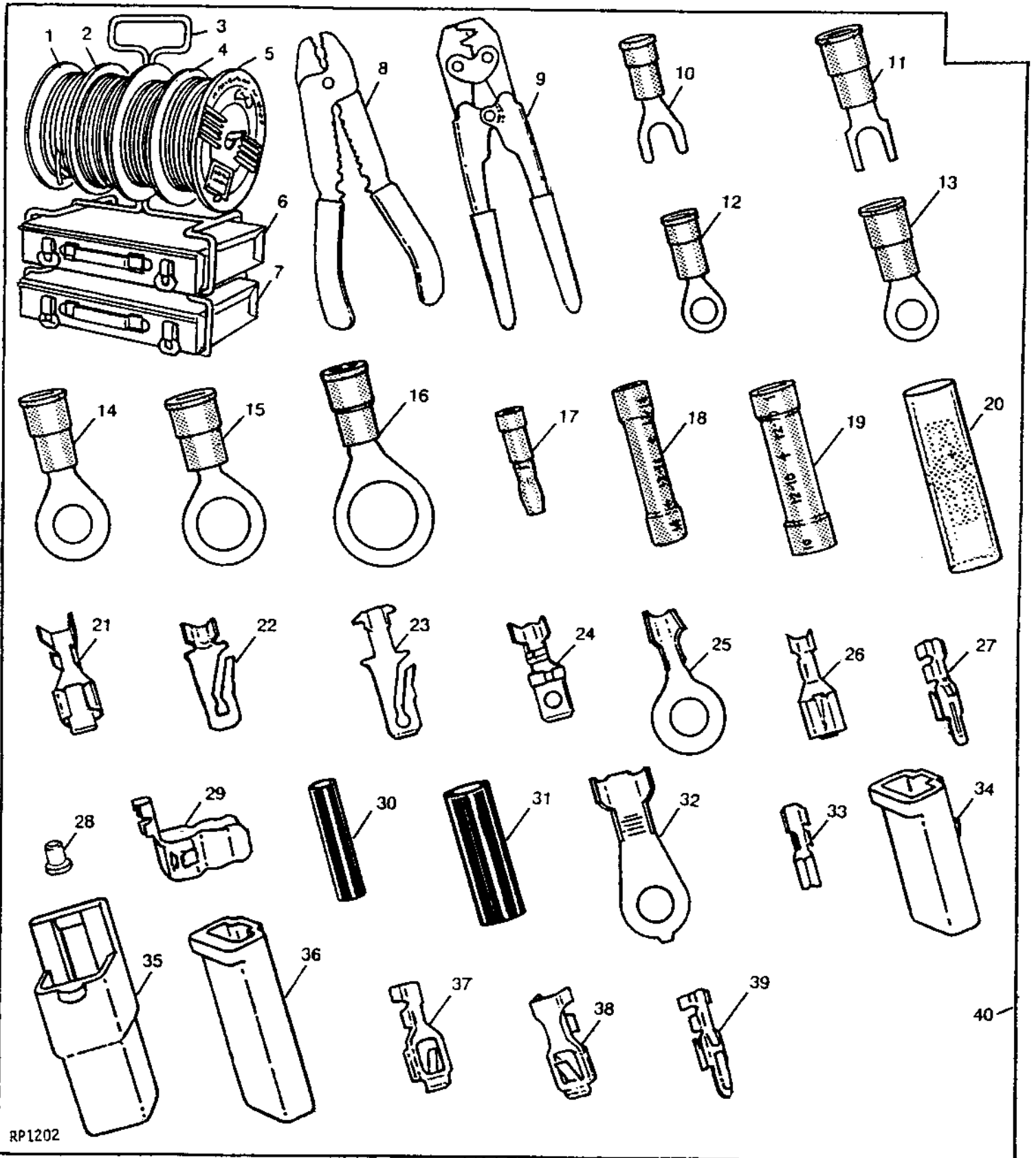
| KEY | PART NO. | PART NAME | QTY | SERIAL NO. | REMARKS |
|-----|----------|----------------------------|-----|------------|--|
| 35 | R77469 | TERMINAL | 1 | | (PKG. OF 5) 18 GA. |
| 36 | RE11156 | TERMINAL | 1 | | (B) MALE |
| 37 | RE11157 | TERMINAL | 1 | | (B) FEMALE |
| 38 | R70222 | PIN CONTACT | 1 | | (D) (H) |
| 39 | R70221 | ELECTRICAL PLUG | 1 | | (E) |
| 40 | R70219 | PLUG | 1 | | (PKG. OF (2) R70218 AND (2) R70219) 10 WAY |
| | R70217 | PLUG | 1 | | (PKG. OF (2) R70216 AND (2) R70217) 7 WAY |
| | R70215 | PLUG | 1 | | (PKG. OF (2) R70214 AND (2) R70215) 4 WAY |
| | R70213 | PIN CONTACT CONNECTOR BODY | 1 | | (PKG. OF (2) R70212 AND (2) R70213) 3 WAY |
| | R70211 | CONNECTOR | 1 | | (PKG. OF (2) R70210 AND (2) R70211) 2 WAY |
| 41 | R70218 | RECEPTACLE | 1 | | ORDER R70219 WHICH CONTAINS (2) R70218 AND (2) R70219 |
| | R70216 | RECEPTACLE | 1 | | ORDER R70217 WHICH CONTAINS (2) R70216 AND (2) R70217 |
| | R70214 | RECEPTACLE | 1 | | ORDER R70215 WHICH CONTAINS (2) R70214 AND (2) R70215 |
| | R70212 | RECEPTACLE | 1 | | ORDER R70213 WHICH CONTAINS (2) R70212 AND (2) R70213 |
| | R70210 | RECEPTACLE | 1 | | (ORDER R70211) ORDER R70211 WHICH CONTAINS (2) R70210 AND (2) R70211 |
| 42 | AR91793 | SOCKET CONTACT | 1 | | (D) |
| 43 | R30378 | SPRING | 1 | | (C) |
| 44 | R77474 | CONNECTOR | 1 | | (A) 6 WAY |
| 45 | R77470 | TERMINAL | 1 | | SPLICE (PKG. OF 15) 16-18-20 OR 22 GA. WIRE |
| | R77471 | TERMINAL | 1 | | (C) (G) SPLICE |
| | R77472 | TERMINAL | 1 | | (A) SPLICE (8 GA. WIRE) |
| | R77473 | TERMINAL | 1 | | (A) SPLICE (6 GA. WIRE) |
| 46 | R65607 | TERMINAL | 1 | | (C) (18 OR 20 GA. WIRE) |
| 47 | U46664 | TERMINAL | 1 | | (C) (F) |
| 48 | R32026 | TERMINAL | 1 | | (D) (F) |
| 49 | R65602 | SOCKET CONTACT | 1 | | (C) 16 OR 18 GA. WIRE |
| 50 | R70220 | TERMINAL | 1 | | (C) 18 OR 20 GA. WIRE |
| 51 | R77489 | TERMINAL | 1 | | (D) 14-16-18 OR 20 GA. WIRE; NO. 10 EYELET |
| | R77493 | TERMINAL | 1 | | (D) (G) NO. 10 EYELET |
| | R77488 | TERMINAL | 1 | | (D) 14-16-18 OR 20 GA. WIRE; 3/8" EYELET |
| | R77490 | TERMINAL | 1 | | (D) (G) (1/2" EYELET) |
| 52 | R77496 | TERMINAL | 1 | | (D) (F) NO. 8 SPADE |
| | R77495 | TERMINAL | 1 | | (D) 18 GA. WIRE; NO. 10 SPADE |
| 53 | R77497 | TERMINAL | 1 | | (D) (F) NO. 6 SPADE |
| 54 | R77491 | TERMINAL | 1 | | (D) (G) 3/8" EYELET |
| | R77492 | TERMINAL | 1 | | (D) (G) 1/4" EYELET |
| 55 | R77494 | TERMINAL | 1 | | (D) 6 OR 8 GA. WIRE; 1/4" EYELET |
| 56 | R77502 | TUBE | 1 | | (PKG. OF 8) 3/8", HEAT SHRINK |
| | R77503 | TUBE | 1 | | (PKG. OF 8) 3/16", HEAT SHRINK |
| 57 | RE11154 | KIT | 1 | -651985 | (SUB PM797NA) |
| | PM797NA | KIT | 1 | | |

- (A) PKG. OF 2
- (B) PKG. OF 3
- (C) PKG. OF 10
- (D) PKG. OF 20
- (E) PKG. OF 25
- (F) 14 OR 16 GA. WIRE
- (G) 10 OR 12 GA. WIRE
- (H) 14-16 OR 18 GA. WIRE

3F23

ELECTRICAL

TERMINAL AND WIRING KIT
RP1202 -UN-12SEP95



RP1202

3F24

ELECTRICAL

TERMINAL AND WIRING KIT - CONTINUED

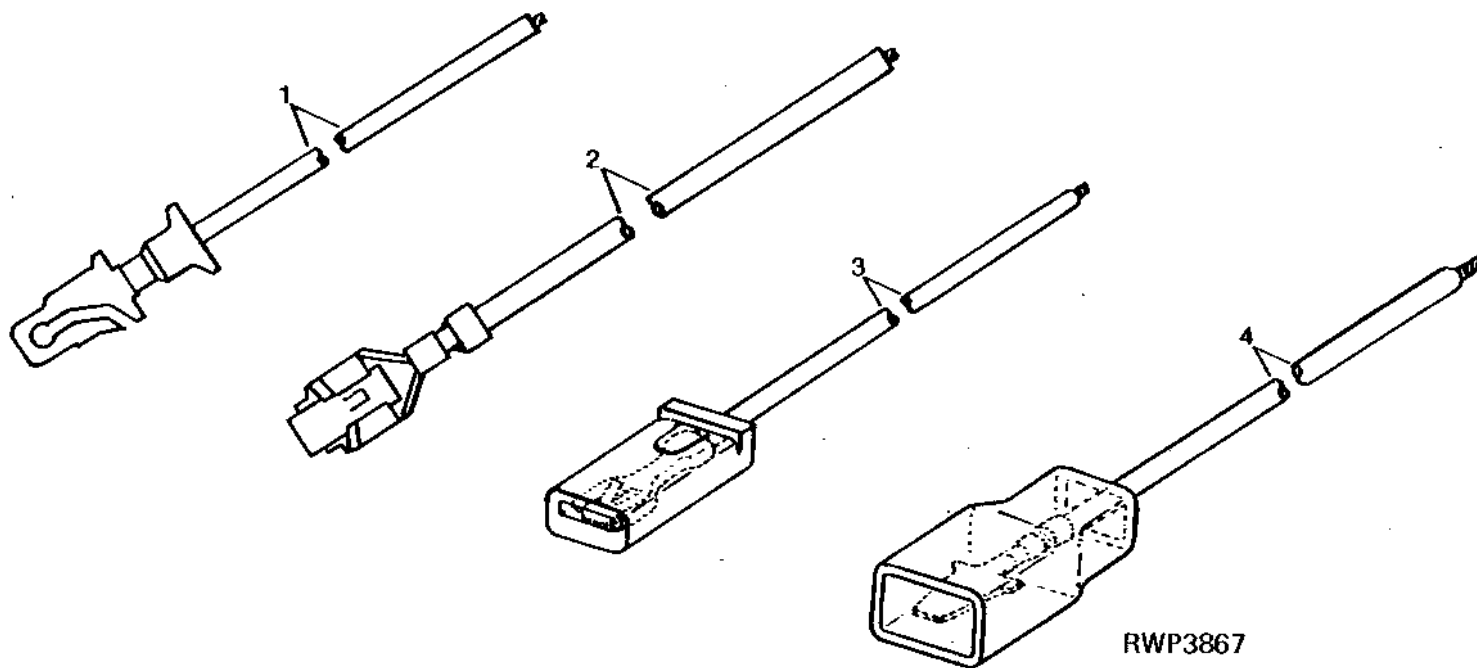
| KEY | PART NO. | PART NAME | QTY | SERIAL NO. | REMARKS |
|-----|----------|---------------------------|-----|------------|---|
| 1 | R66319 | WIRING LEAD | 1 | | PRIMARY, 14 GA., 30,480 MM (100') (1 SPOOL) |
| 2 | R65593 | WIRING LEAD | 1 | | PRIMARY, 16 GA., 30,480 MM (100') (1 SPOOL) |
| 3 | R65608 | RACK | 1 | | |
| 4 | R66321 | WIRING LEAD | 1 | | PRIMARY, 10 GA., 15,240 MM (50') (1 SPOOL) |
| 5 | R66320 | WIRING LEAD | 1 | | PRIMARY, 12 GA., 30,480 MM (100') (1 SPOOL) |
| 6 | R65609 | CONTAINER | 1 | | 32 COMPARTMENT |
| 7 | R65610 | CONTAINER | 1 | | 11 COMPARTMENT |
| 8 | R32011 | TOOL | 1 | | WIRING, STRIPPING |
| 9 | R65594 | TOOL | 1 | | WIRING, CRIMPING |
| 10 | R32016 | TERMINAL | 1 | | PRIMARY, 14-16 GA., NO. 10 SPADE |
| 11 | R32017 | TERMINAL | 1 | | PRIMARY, 10-12 GA., NO. 10 SPADE |
| 12 | R32018 | TERMINAL | 1 | | PRIMARY, 14-16 GA., NO. 10 EYELET |
| 13 | R32019 | TERMINAL | 1 | | PRIMARY, 10-12 GA., NO. 10 EYELET |
| 14 | R32021 | TERMINAL | 1 | | PRIMARY, 10-12 GA., 1/4" EYELET |
| 15 | R32022 | TERMINAL | 1 | | PRIMARY, 10-12 GA., 3/8" EYELET |
| 16 | R32023 | TERMINAL | 1 | | PRIMARY, 10-12 GA., 1/2" EYELET |
| 17 | R32026 | TERMINAL | 1 | | MALE BULLET |
| 18 | R32027 | CONNECTOR | 1 | | SPLICE, 14-16 GA. |
| 19 | R32028 | TERMINAL | 1 | | SPLICE, 10-12 GA. |
| 20 | R32029 | TERMINAL | 1 | -610700 | (SUB AL2976T, THIS APPLICATION) |
| | AL2976T | CONNECTOR | 1 | | 2-WIRE BULLET CONNECTOR |
| 21 | R65595 | TERMINAL | 1 | | FEMALE, 10 GA. |
| 22 | R65596 | TERMINAL | 1 | | MALE, 10 GA., OR TWO 14 GA. CABLES |
| 23 | R65597 | TERMINAL | 1 | | MALE, 14-16 GA. |
| 24 | R65598 | TERMINAL | 1 | | MALE, SHORT, 14-16 GA. |
| 25 | R65599 | TERMINAL | 1 | | 14-16 GA., 1/4" EYELET |
| 26 | R65600 | TERMINAL | 1 | | FEMALE, 14-16 GA. |
| 27 | R65601 | TERMINAL | 1 | | TWIN-LOCK, TWO 16 GA. CABLES |
| 28 | R65602 | SOCKET CONTACT | 1 | | BULB SOCKET, 16-18 GA. |
| 29 | R65603 | TERMINAL NIPPLE | 1 | | FUSE |
| 30 | R65604 | INSULATING SLEEVE | 1 | | 14-18 GA. |
| 31 | R65605 | INSULATING SLEEVE | 1 | | 8-12 GA. |
| 32 | R65606 | TERMINAL | 1 | | 6-8 GA., 1/4" EYELET |
| 33 | R65607 | TERMINAL | 1 | | 18-20 GA. |
| 34 | T28583 | RECEPTACLE CONNECTOR BODY | 1 | | ONE CONTACT LOCK-TYPE, MALE |
| 35 | T28585 | TAB CONNECTOR BODY | 1 | | ONE CONTACT LOCK-TYPE, FEMALE |
| 36 | U46370 | CONNECTOR | 1 | | ONE CONTACT SINGLE BODY, MALE |
| 37 | U46662 | TERMINAL | 1 | | CONNECTOR, ONE CONTACT SINGLE BODY, MALE |
| 38 | U46663 | TERMINAL | 1 | | MALE |
| 39 | U46664 | TERMINAL | 1 | | MALE |
| 40 | AR84006 | KIT | 1 | | TERMINALS AND WIRING, (SUB RE11154) |
| | RE11154 | KIT | 1 | -651985 | TERMINALS AND WIRING, (SUB PM797NA) |
| | PM797NA | KIT | 1 | | |

3F25

ELECTRICAL

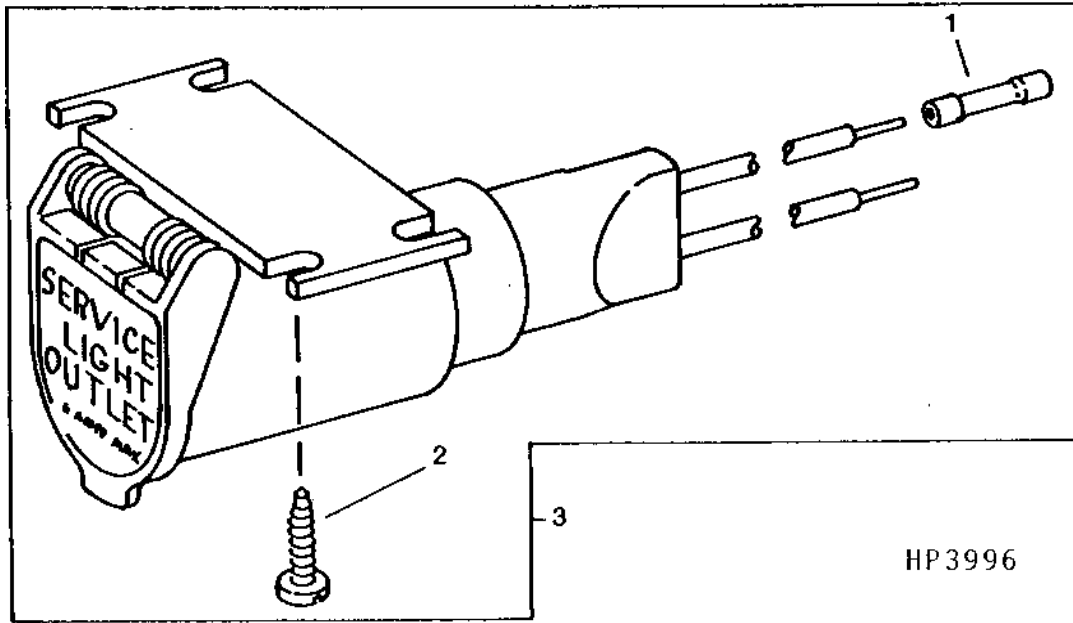
SUPPLEMENTARY TERMINALS AND CONNECTORS

RWP3867 -UN-01JAN94



| KEY | PART NO. | PART NAME | QTY | SERIAL NO. | REMARKS |
|-----|----------|-------------|-----|------------|---------|
| 1 | AR65005 | TERMINAL | 1 | | |
| 2 | AR65006 | TERMINAL | 1 | | |
| 3 | R32024 | WIRING LEAD | 1 | | |
| 4 | R32025 | WIRING LEAD | 1 | | |

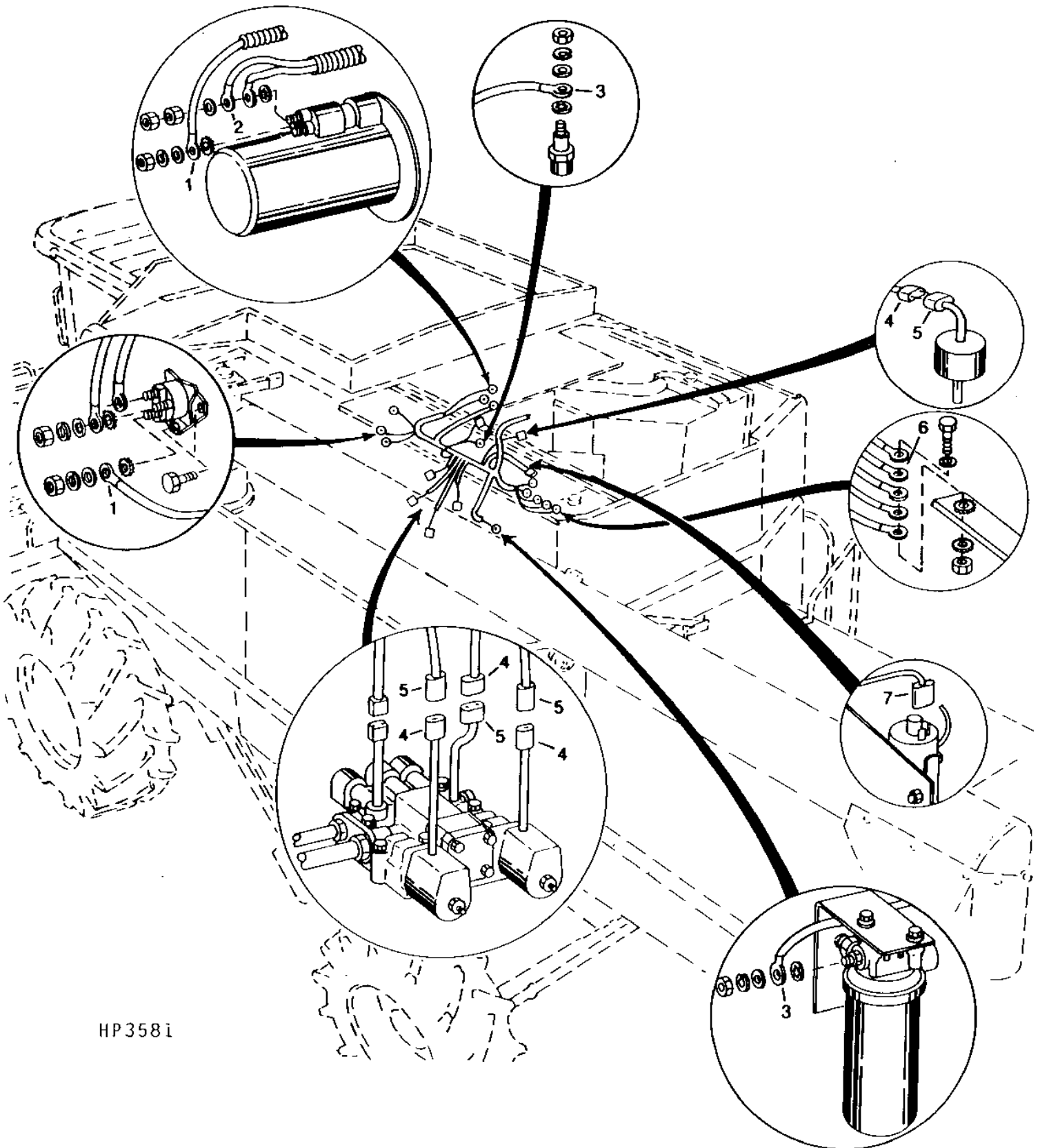
ELECTRICAL SERVICE OUTLET
 HP3996 -UN-01JAN94



HP3996

| KEY | PART NO. | PART NAME | QTY | SERIAL NO. | REMARKS |
|-----|----------|---------------|-----|------------|---------------|
| 1 | R32027 | CONNECTOR | 2 | | |
| 2 | 37M7060 | SCREW | 2 | M4 X 10 | |
| 3 | AH135821 | SOCKET OUTLET | 1 | | |
| | AH151376 | SOCKET OUTLET | 1 | | (FRENCH ONLY) |

LOWER HARNESS CONNECTORS FOR 6076 ENGINE
HP3581 -UN-01JAN94



HP3581

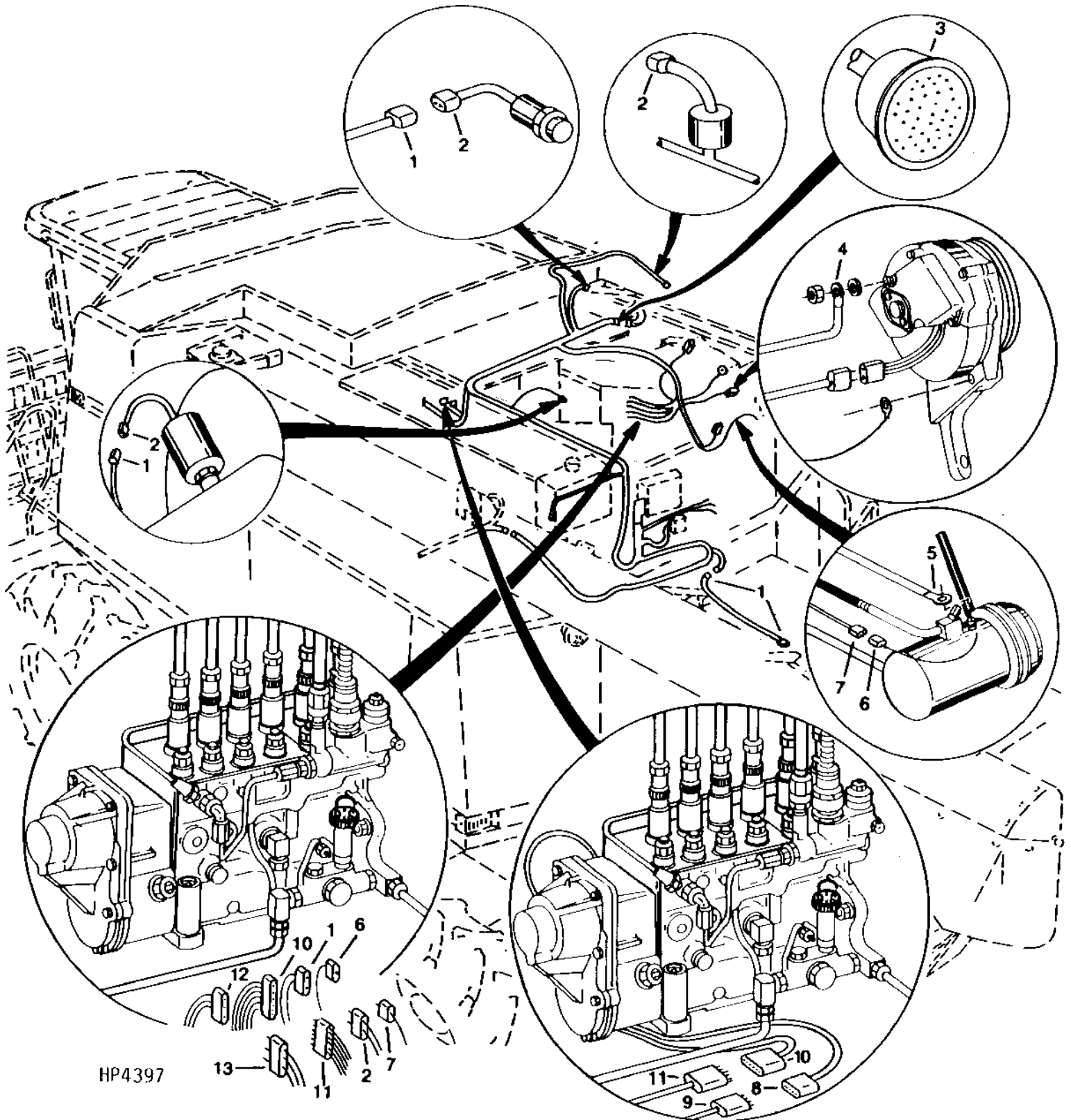
LOWER HARNESS CONNECTORS FOR 6076 ENGINE - CONTINUED

| KEY | PART NO. | PART NAME | QTY | SERIAL NO. | REMARKS |
|-----|----------|----------------------------|-----|------------|-----------------------|
| 1 | R77493 | TERMINAL | 1 | | |
| 2 | R77491 | TERMINAL | 1 | | |
| 3 | R77489 | TERMINAL | 2 | | |
| 4 | R78053 | PIN CONTACT CONNECTOR BODY | 4 | | (PKG OF 3) |
| | R78061 | PIN CONTACT | 2 | | (PKG OF 40) |
| | R78063 | TERMINAL NIPPLE | 2 | | (PKG OF 40) |
| 5 | RE12363 | CONNECTOR | 4 | | (PKG OF 3) |
| | R78048 | TERMINAL NIPPLE | 1 | | (PKG OF 5) |
| 6 | 57M7111 | TERMINAL | 1 | | (NO LONGER AVAILABLE) |
| 7 | R77479 | CONNECTOR | 1 | | FOR ETHER START |
| | U46662 | TERMINAL | 1 | | FOR ETHER START |

3G4

ELECTRICAL

UPPER HARNESS CONNECTORS FOR 6076 ENGINE
HP4397 -UN-01JAN94



UPPER HARNESS CONNECTORS FOR 6076 ENGINE - CONTINUED

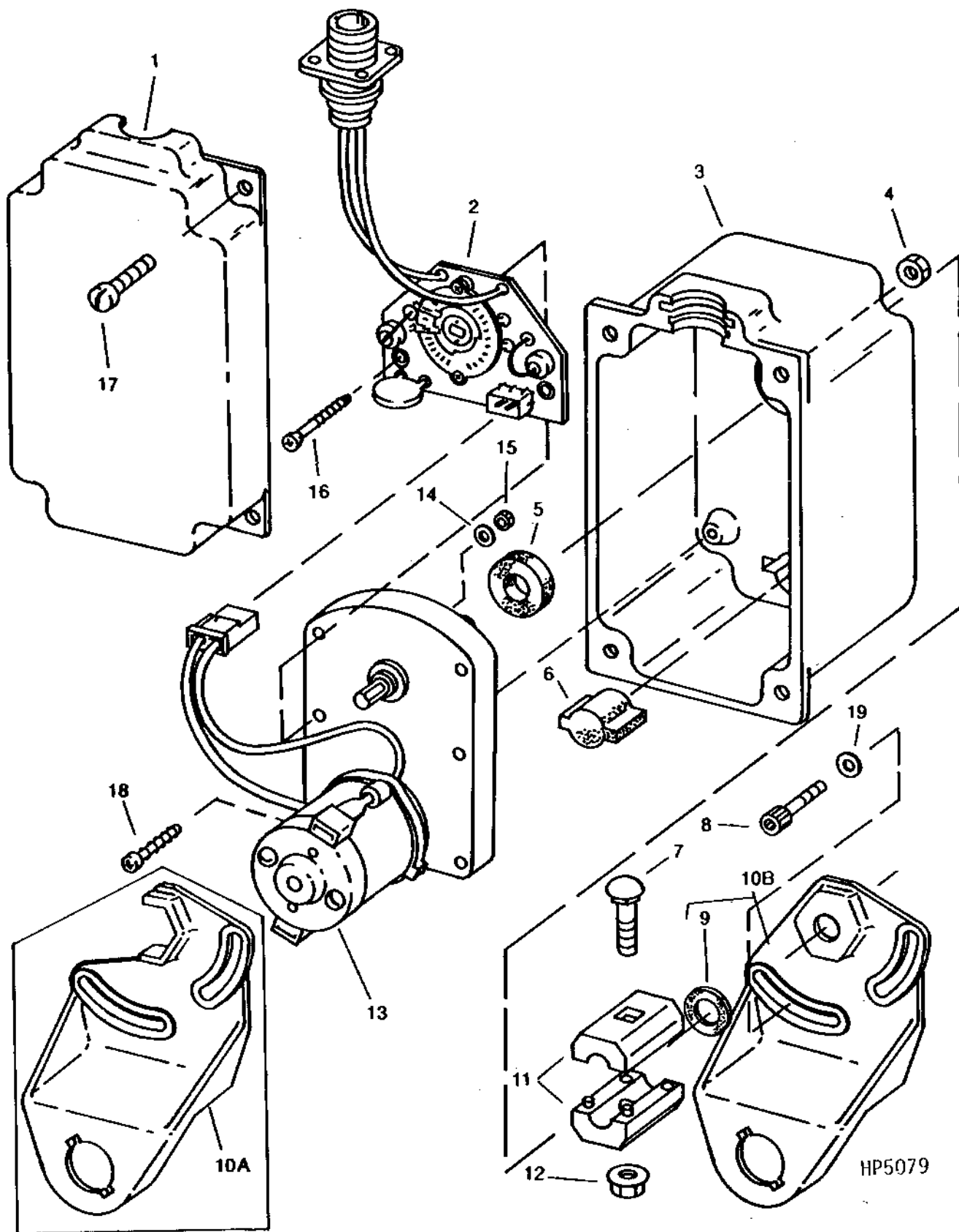
| KEY | PART NO. | PART NAME | QTY | SERIAL NO. | REMARKS |
|-----|----------|----------------------------|-----|------------------|---------|
| 1 | RE12363 | CONNECTOR | 1 | (PKG OF 3) | |
| | R78048 | TERMINAL NIPPLE | 2 | (PKG OF 5) | |
| | R78060 | SOCKET CONTACT | 2 | (PKG OF 40) | |
| 2 | R78063 | TERMINAL NIPPLE | 1 | (PKG OF 40) | |
| | R78053 | PIN CONTACT CONNECTOR BODY | 2 | (PKG OF 3) | |
| | R78063 | TERMINAL NIPPLE | 2 | (PKG OF 40) | |
| 3 | R78060 | SOCKET CONTACT | 2 | (PKG OF 40) | |
| | R77457 | ELECTRICAL PLUG | 1 | 37 PIN CONNECTOR | |
| | R77465 | SOCKET CONTACT | 1 | | |
| | R77463 | SOCKET CONTACT | 1 | | |
| 4 | R77494 | TERMINAL | 1 | | |
| 5 | R77489 | TERMINAL | 1 | | |
| 6 | R78052 | PIN CONTACT CONNECTOR BODY | 1 | (PKG OF 3) | |
| | R78061 | PIN CONTACT | 1 | (PKG OF 40) | |
| | R78063 | TERMINAL NIPPLE | 1 | (PKG OF 40) | |
| 7 | RE12362 | CONNECTOR | 1 | (PKG OF 3) | |
| | R78060 | SOCKET CONTACT | 1 | (PKG OF 40) | |
| | R78063 | TERMINAL NIPPLE | 1 | (PKG OF 40) | |
| 8 | R78055 | PIN CONTACT CONNECTOR BODY | 1 | (PKG OF 2) | |
| | R78058 | PIN CONTACT | 1 | (PKG OF 40) | |
| | R78059 | ELECTRICAL PLUG | 1 | (PKG OF 40) | |
| 9 | RE12365 | CONNECTOR | 1 | (PKG OF 2) | |
| | R78050 | SEAL | 1 | (PKG OF 5) | |
| | R78060 | SOCKET CONTACT | 1 | (PKG OF 40) | |
| | R78059 | ELECTRICAL PLUG | 1 | (PKG OF 40) | |
| 10 | R78056 | PIN CONTACT CONNECTOR BODY | 1 | (PKG OF 2) | |
| | R78058 | PIN CONTACT | 1 | (PKG OF 40) | |
| | R78059 | ELECTRICAL PLUG | 1 | (PKG OF 40) | |
| 11 | RE12366 | CONNECTOR | 1 | (PKG OF 2) | |
| | R78051 | SEAL | 1 | (PKG OF 5) | |
| | R78057 | SOCKET CONTACT | 1 | (PKG OF 40) | |
| | R78059 | ELECTRICAL PLUG | 1 | (PKG OF 40) | |
| 12 | RE12332 | CONNECTOR | 1 | | |
| | R78054 | PIN CONTACT CONNECTOR BODY | 1 | (PKG OF 3) | |
| | R78060 | SOCKET CONTACT | 1 | (PKG OF 40) | |
| | R78063 | TERMINAL NIPPLE | 1 | (PKG OF 40) | |
| 13 | RE12364 | SOCKET CONT.CONNECTOR BODY | 1 | (PKG OF 3) | |
| | R78049 | SEAL | 1 | (PKG OF 5) | |
| | R78060 | SOCKET CONTACT | 1 | (PKG OF 40) | |
| | R78063 | TERMINAL NIPPLE | 1 | (PKG OF 40) | |

3G6

ELECTRICAL

REEL SPEED MOTOR AND BRACKET

HP5079 -UN-01JAN94



HP5079

REEL SPEED MOTOR AND BRACKET - CONTINUED

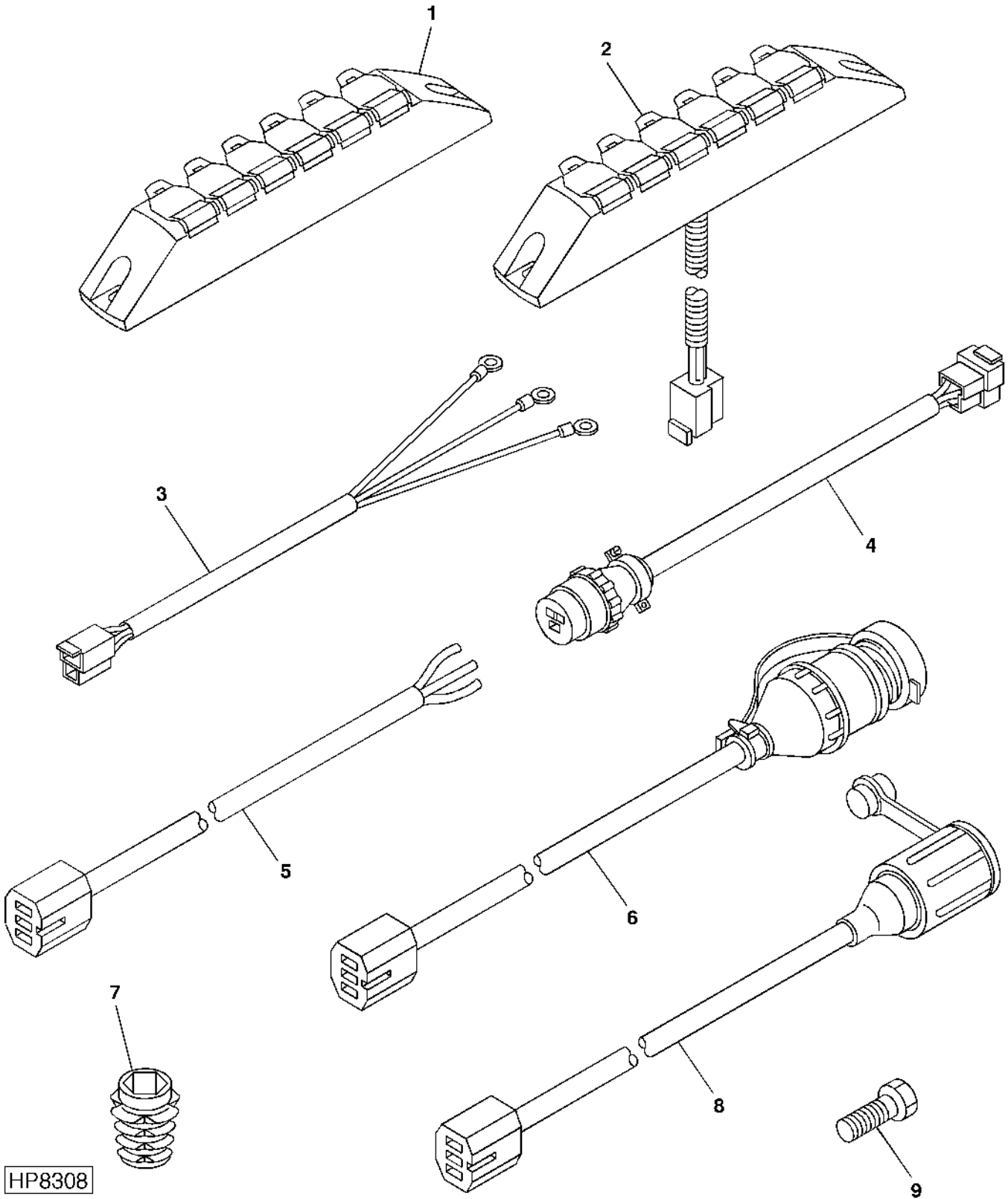
| KEY | PART NO. | PART NAME | QTY | SERIAL NO. | REMARKS |
|-----|----------|-----------------|-----|------------|--|
| 1 | H133852 | BOX | 1 | | |
| 2 | AH139987 | PRINTED CIRCUIT | 1 | | (SUB FOR AH128849) |
| 3 | H133851 | BOX | 1 | | |
| 4 | 14M7139 | NUT | 4 | | M4, (SUB FOR (4) 14M7100) |
| 5 | M121T | WASHER | 1 | | 9.652 X 20.574 X 4.064 MM (0.380" X 0.810" X 0.160") |
| 6 | H133981 | SEAL | 1 | | |
| 7 | 03M7290 | BOLT | 1 | | M6 X 30 |
| 8 | 19H2925 | SCREW | 2 | | 1/4" X 1/2" |
| 9 | H146950 | WASHER | 1 | 645330- | 9.500 X 19 X 1.600 MM |
| 10A | H128469 | BRACKET | 1 | -645327 | (SUB AH141813) |
| 10B | AH141813 | KIT | 1 | | |
| 11 | H114020 | HALF CLAMP | 2 | | |
| 12 | 14M7397 | LOCK NUT | 1 | | M6 |
| 13 | AH128865 | MOTOR | 1 | | |
| 14 | 12H314 | LOCK WASHER | 2 | | 0.138" |
| 15 | 14H1026 | NUT | 2 | | 0.138" |
| 16 | 21H1184 | SCREW | 2 | | 0.138" X 1-1/8" |
| 17 | 21M7250 | SCREW | 4 | | M4 X 12 |
| 18 | H144032 | SCREW | 4 | | |
| 19 | 24M7027 | WASHER | 2 | | 5.300 X 10 X 1 MM |

3G8

ELECTRICAL

KIT-CONVENIENCE OUTLET

(670301-)
HP8308 -UN-10MAR99



HP8308

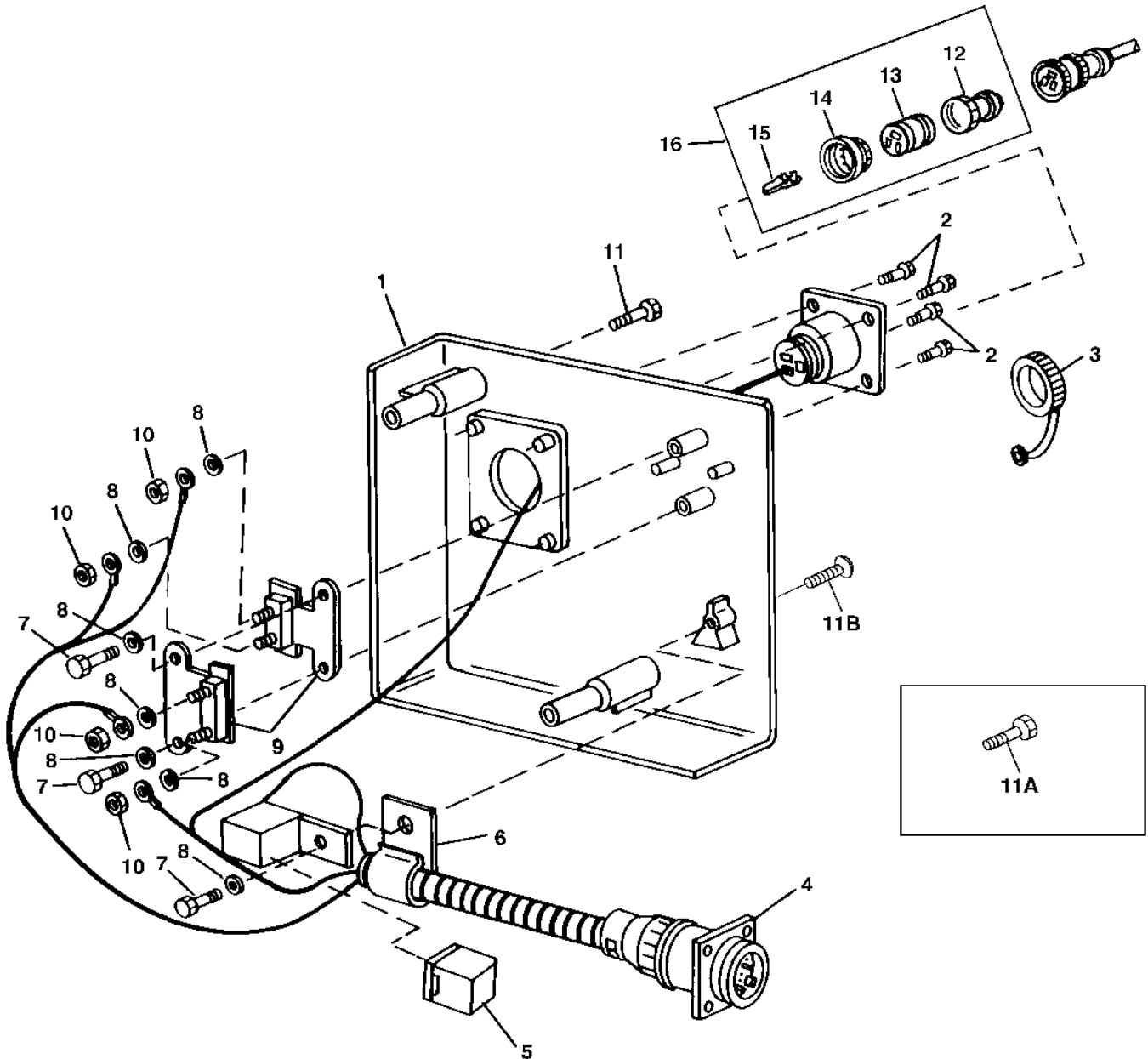
CONVENIENCE OUTLET - CONTINUED

| KEY | PART NO. | PART NAME | QTY | SERIAL NO. | REMARKS |
|-----|----------------|------------------------------------|----------|------------|-------------------------------|
| 1 | RE68495 | STRIP | 1 | | |
| 2 | AH152668 | TERMINAL | 1 | | |
| 3 | AH153311 | WIRING HARNESS | 1 | | |
| 4 | AH153133 | WIRING HARNESS | 1 | | |
| 5 | RE67013 | ELECTRICAL PLUG | 1 | | |
| 6 | RE67015 | ADAPTER | 1 | | |
| 7 | H159806 | INSERT | 1 | | |
| 8 | RE67014 | ADAPTER | 1 | | |
| 9 | 37M7160 | SCREW | 2 | M6 X 16 | |
| .. | BH81255 | COMPLETE GOODS/SHIP. BUNDLE | 1 | | CONVENIENCE OUTLET KIT |

3G10

ELECTRICAL

CONVENIENCE OUTLET
(660301-)
HP6550 -UN-23AUG96



HP6550

3G11

ELECTRICAL

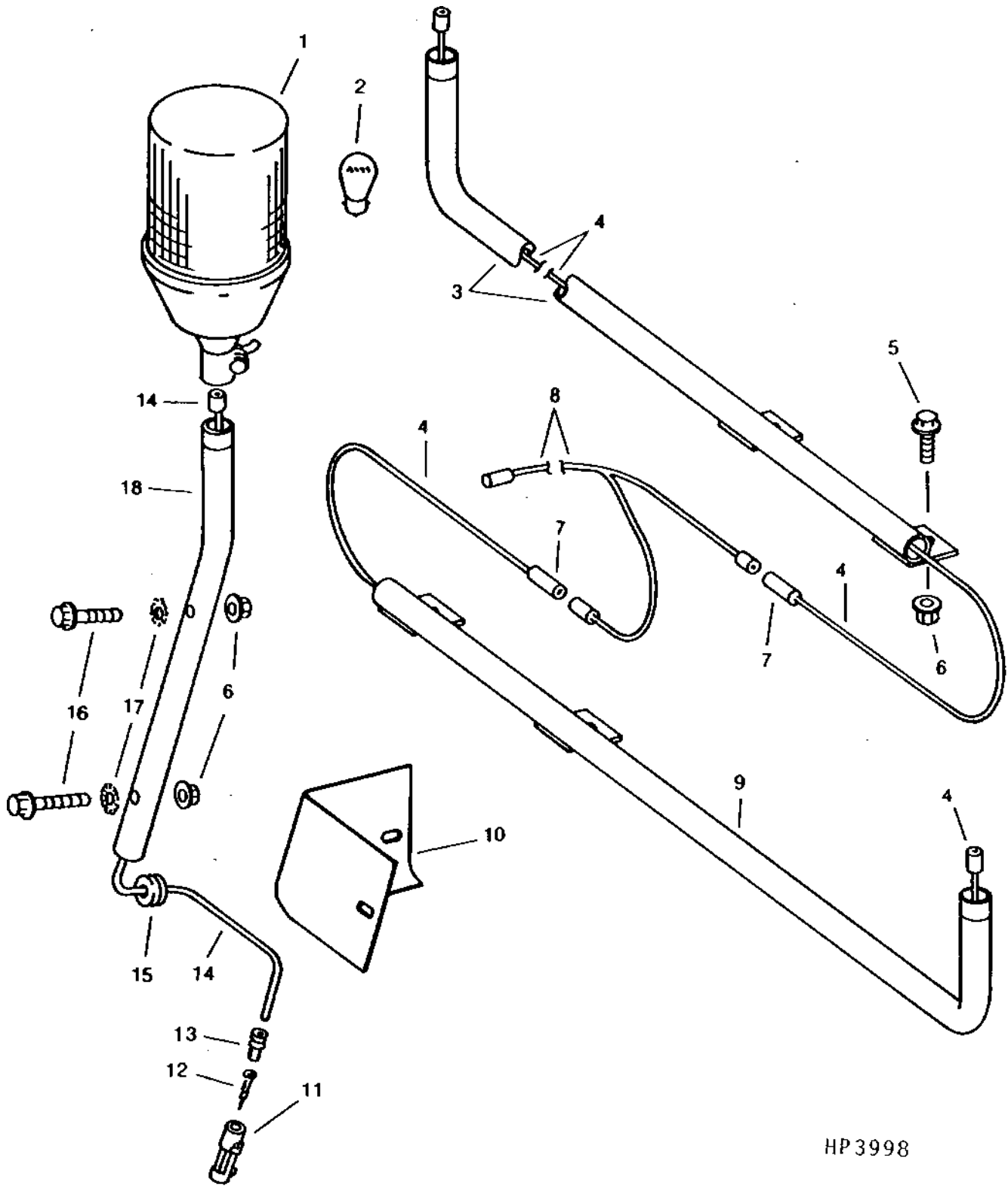
CONVENIENCE OUTLET - CONTINUED
(660301-)

| KEY | PART NO. | PART NAME | QTY | SERIAL NO. | REMARKS |
|-----|----------------|------------------------------------|----------|------------|-------------------------------|
| 1 | H151579 | BRACKET | 1 | | |
| 2 | H111364 | SCREW | 4 | | |
| 3 | 57M7391 | INSULATING CAPSULE | 1 | | |
| 4 | AH152020 | WIRING HARNESS | 1 | | (SUB FOR AH145277) |
| 5 | AH106612 | RELAY | 1 | | |
| 6 | AH89557 | CLIP | 1 | | |
| 7 | H123998 | SCREW | 3 | | |
| 8 | 12H295 | LOCK WASHER | 7 | | 4.826 MM (0.190") |
| 9 | AR49352 | CIRCUIT BREAKER | 2 | | 30 AMP |
| 10 | 14H778 | NUT | 4 | | 4.826 MM (0.190") |
| 11 | 19M7595 | CAP SCREW | 2 | | M6 X 50 |
| | H132451 | CAP SCREW | 2 | 666738- | M6 X 50 |
| 12 | AE44931 | CONNECTOR | 1 | | |
| 13 | AE44929 | CONNECTOR | 1 | | |
| 14 | R77459 | CONNECTOR | 1 | | |
| 15 | RE11157 | TERMINAL | 2 | | |
| 16 | RE37651 | PLUG | 1 | | |
| .. | BH81255 | COMPLETE GOODS/SHIP. BUNDLE | 1 | | CONVENIENCE OUTLET KIT |

3G12

ELECTRICAL

REVOLVING BEACON LIGHTS (EXPORT ONLY)
HP3998 -UN-01JAN94



HP 3998

3G13

ELECTRICAL

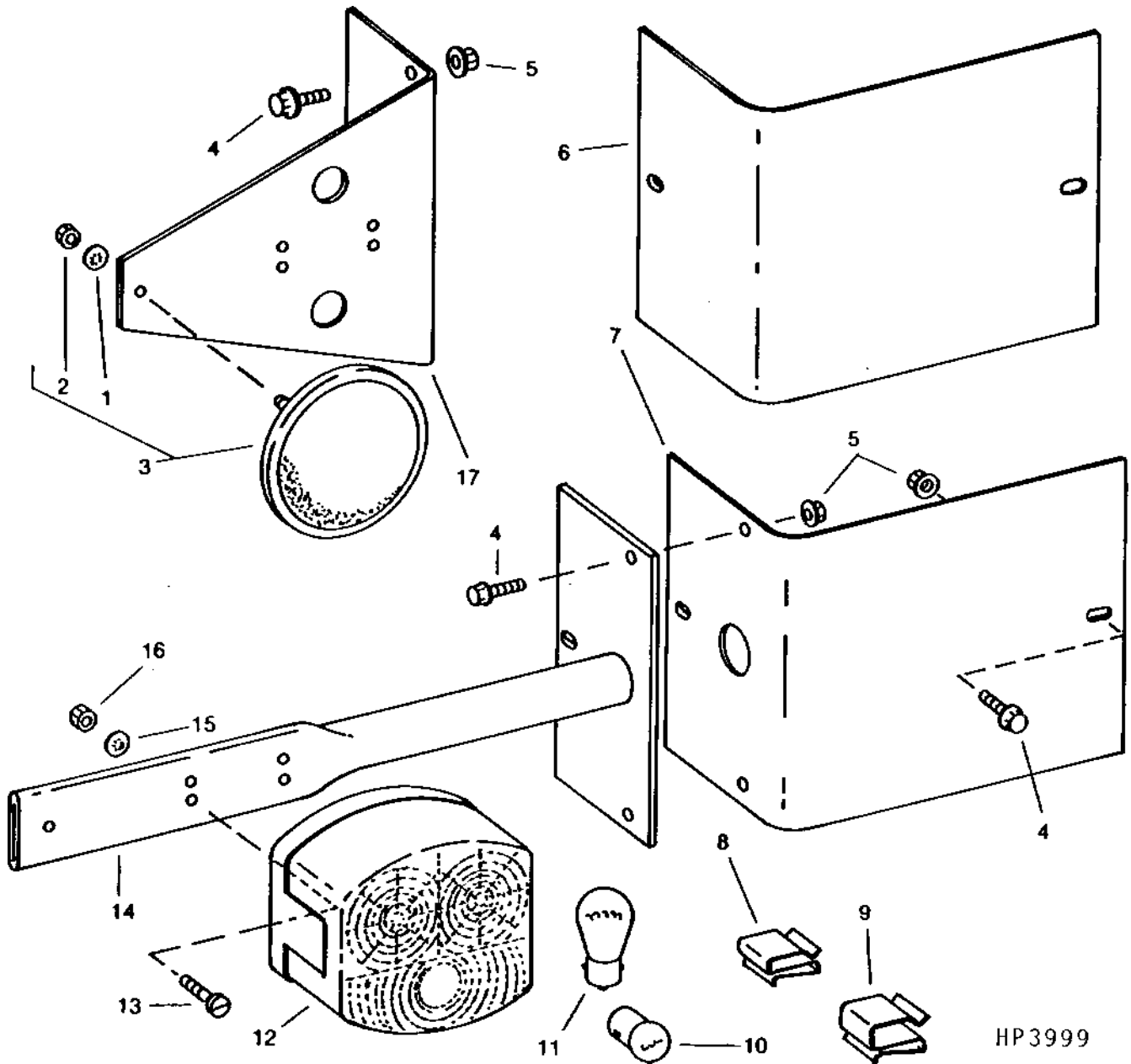
REVOLVING BEACON LIGHTS (EXPORT ONLY) - CONTINUED

| KEY | PART NO. | PART NAME | QTY | SERIAL NO. | REMARKS |
|-----|----------|----------------------------|-----|--------------------|-------------------|
| 1 | AZ44705 | FLARE | 1 | | (SUB FOR AZ23847) |
| 2 | 57M7019 | BULB | 4 | | |
| 3 | AH132869 | SUPPORT | 1 | | |
| 4 | AH132865 | WIRING HARNESS | 2 | | |
| 5 | 19M7866 | SCREW | 4 | M8 X 20 | |
| 6 | 14M7298 | FLANGE NUT | 8 | M8 | |
| 7 | R78052 | PIN CONTACT CONNECTOR BODY | 2 | (PKG OF 3) | |
| 8 | AH132866 | WIRING HARNESS | 1 | | |
| 9 | AH153476 | TUBE | 1 | (SUB FOR AH132866) | |
| 10 | H138363 | COVER | 1 | | |
| | H138364 | COVER | 1 | | |
| 11 | R78052 | PIN CONTACT CONNECTOR BODY | 2 | (PKG OF 3) | |
| 12 | R78061 | PIN CONTACT | 2 | (PKG OF 40) | |
| 13 | R78063 | TERMINAL NIPPLE | 2 | (PKG OF 40) | |
| 14 | AH132232 | WIRING HARNESS | 2 | | |
| 15 | H83060 | GROMMET | 2 | | |
| 16 | 19M8313 | CAP SCREW | 4 | M12 X 55 | |
| 17 | 12M7032 | LOCK WASHER | 2 | 8.400 MM | |
| 18 | H137657 | SUPPORT | 2 | | |

3G14

ELECTRICAL

REAR LIGHTS (EXPORT ONLY)
HP3999 -UN-01JAN94



HP3999

3G15

ELECTRICAL

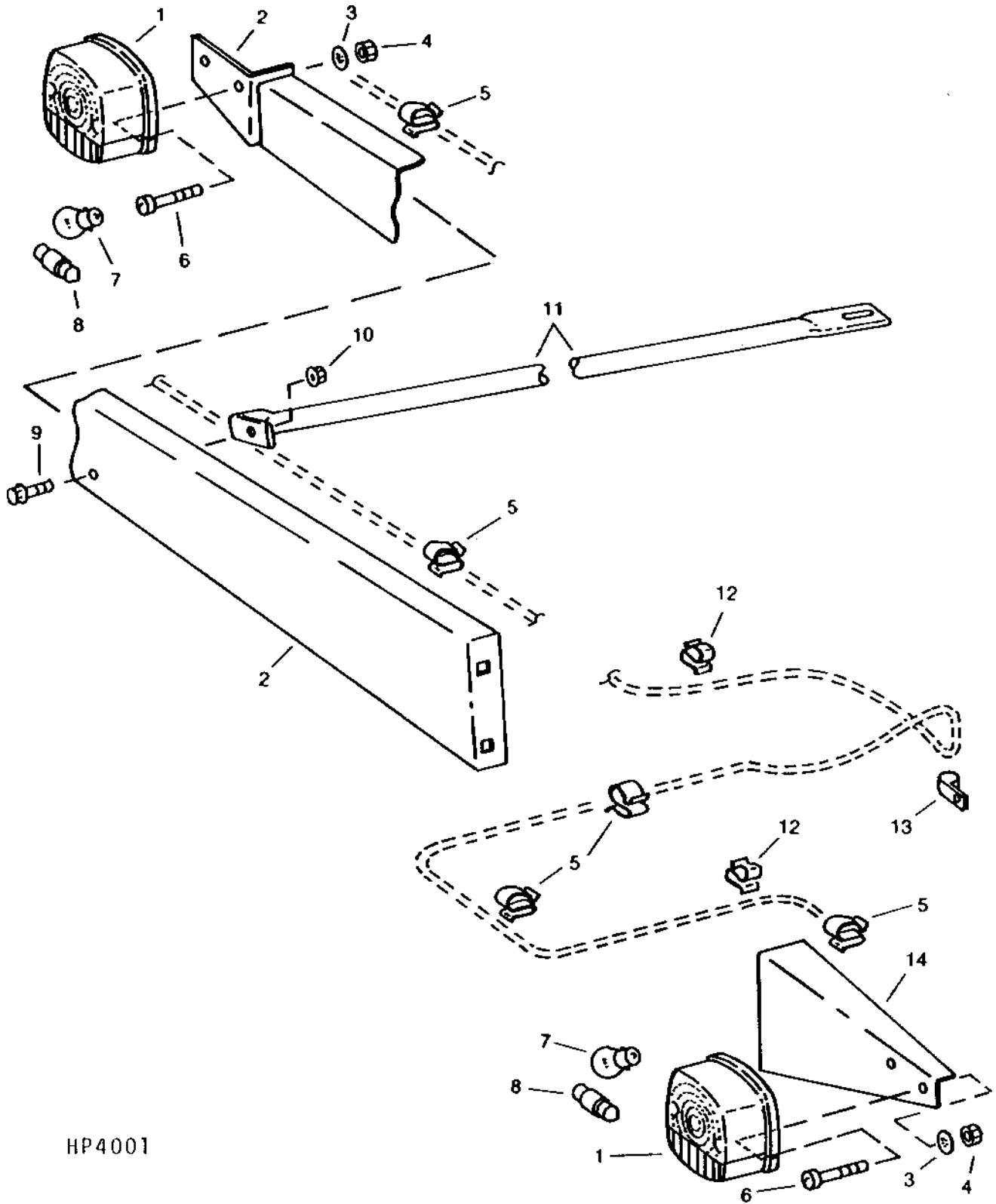
REAR LIGHTS (EXPORT ONLY) - CONTINUED

| KEY | PART NO. | PART NAME | QTY | SERIAL NO. | REMARKS |
|-----|----------|-------------|-----|---------------|------------------------------------|
| 1 | 12M7060 | WASHER | 2 | | 5.300 MM (0.209") |
| 2 | 14M7297 | NUT | 2 | | M5 |
| 3 | L39871 | REFLECTOR | 2 | | |
| 4 | 19M7775 | SCREW | 8 | | M6 X 16 |
| 5 | 14M7303 | FLANGE NUT | 8 | | M6 |
| 6 | H140183 | COVER | 1 | -640300 | (SUB H140184) |
| | H140184 | COVER | 1 | -2FEB98 | (FRENCH) |
| | H160437 | COVER | 1 | -2FEB98 | (FRENCH) |
| 7 | H140184 | COVER | 1 | -2FEB98 | (FRENCH) |
| 8 | H64612 | CLIP | 1 | | |
| 9 | H76064 | CLIP | 1 | | |
| 10 | 57M7013 | BULB | 2 | | |
| 11 | 57M4014 | BULB | 4 | | |
| 12 | AT43601 | LAMP | 1 | -656581 | R.H. TAILLIGHT |
| | AL67206 | TAIL LAMP | 1 | 656582- | R.H. TAIL LIGHT |
| | AT43600 | LAMP | 1 | -656581 | L.H. TAIL LIGHT |
| | AL67208 | TAIL LAMP | 1 | 656582-2FEB98 | L.H. TAIL LIGHT (FRENCH) |
| 13 | 21M7216 | SCREW | 4 | -2FEB98 | M4 X 20, (FRENCH) |
| 14 | AH134800 | SUPPORT | 2 | -2FEB98 | (FRENCH) |
| 15 | 12M7084 | LOCK WASHER | 4 | | 4.300 MM (0.169") |
| 16 | 14M7139 | NUT | 4 | | M4, (SUB FOR (4) 14M7100) |
| 17 | H140187 | BRACKET | 2 | | (FRENCH) |
| .. | AH119834 | TAIL LAMP | 1 | | (INCLUDES AT43601 AND (2) 57M7014) |

3G16

ELECTRICAL

HEADER LIGHTS (EXPORT ONLY)
HP4001 -UN-01JAN94



HP4001

3G17

ELECTRICAL

HEADER LIGHTS (EXPORT ONLY) - CONTINUED

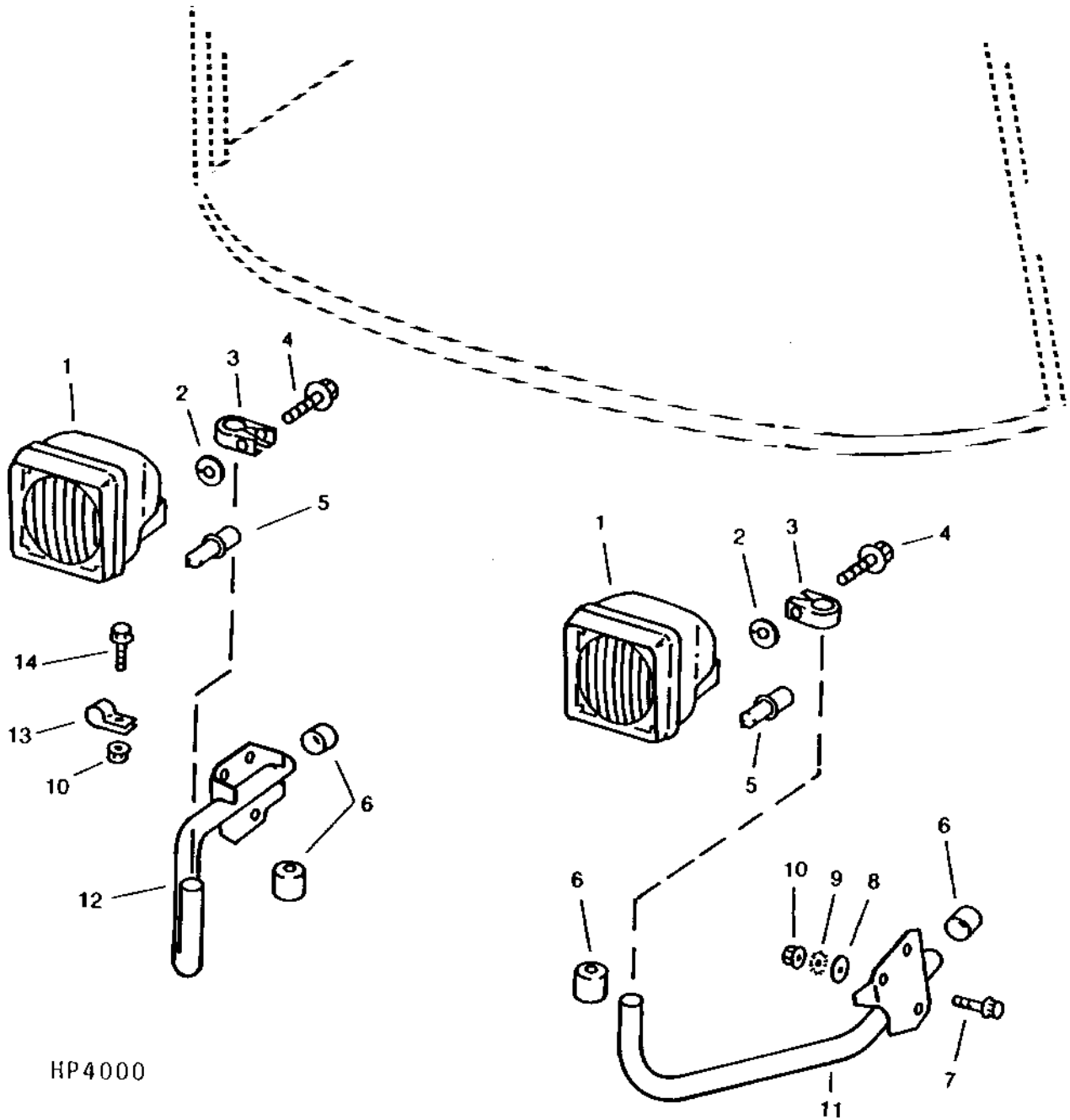
| KEY | PART NO. | PART NAME | QTY | SERIAL NO. | REMARKS |
|-----|----------|-------------|-----|------------|---------------------------|
| 1 | AL58739 | SIDE LIGHT | 2 | -2FEB98 | (FRENCH) |
| 2 | AH134802 | BRACKET | 1 | -2FEB98 | (FRENCH) |
| 3 | 12M7084 | LOCK WASHER | 2 | | 4.300 MM (0.169") |
| 4 | 14M7139 | NUT | 2 | | M4, (SUB FOR (2) 14M7100) |
| 5 | H76064 | CLIP | 5 | | |
| 6 | 21M7250 | SCREW | 2 | | M4 X 12 |
| 7 | 57M7014 | BULB | 2 | | |
| 8 | 57M6274 | BULB | 2 | | |
| 9 | 19M7865 | SCREW | 1 | | M8 X 16 |
| 10 | 14M7298 | FLANGE NUT | 1 | | M8 |
| 11 | H140193 | TUBE | 1 | -2FEB98 | (FRENCH) |
| 12 | H64612 | CLIP | 2 | | |
| 13 | AH89557 | CLIP | 1 | | |
| 14 | H140189 | BRACKET | 1 | | |

3G18

ELECTRICAL

HEADLIGHTS UNDER CAB (EXPORT ONLY)

HP4000 -UN-01JAN94



HP4000

3G19

ELECTRICAL

HEADLIGHTS UNDER CAB (EXPORT ONLY) - CONTINUED

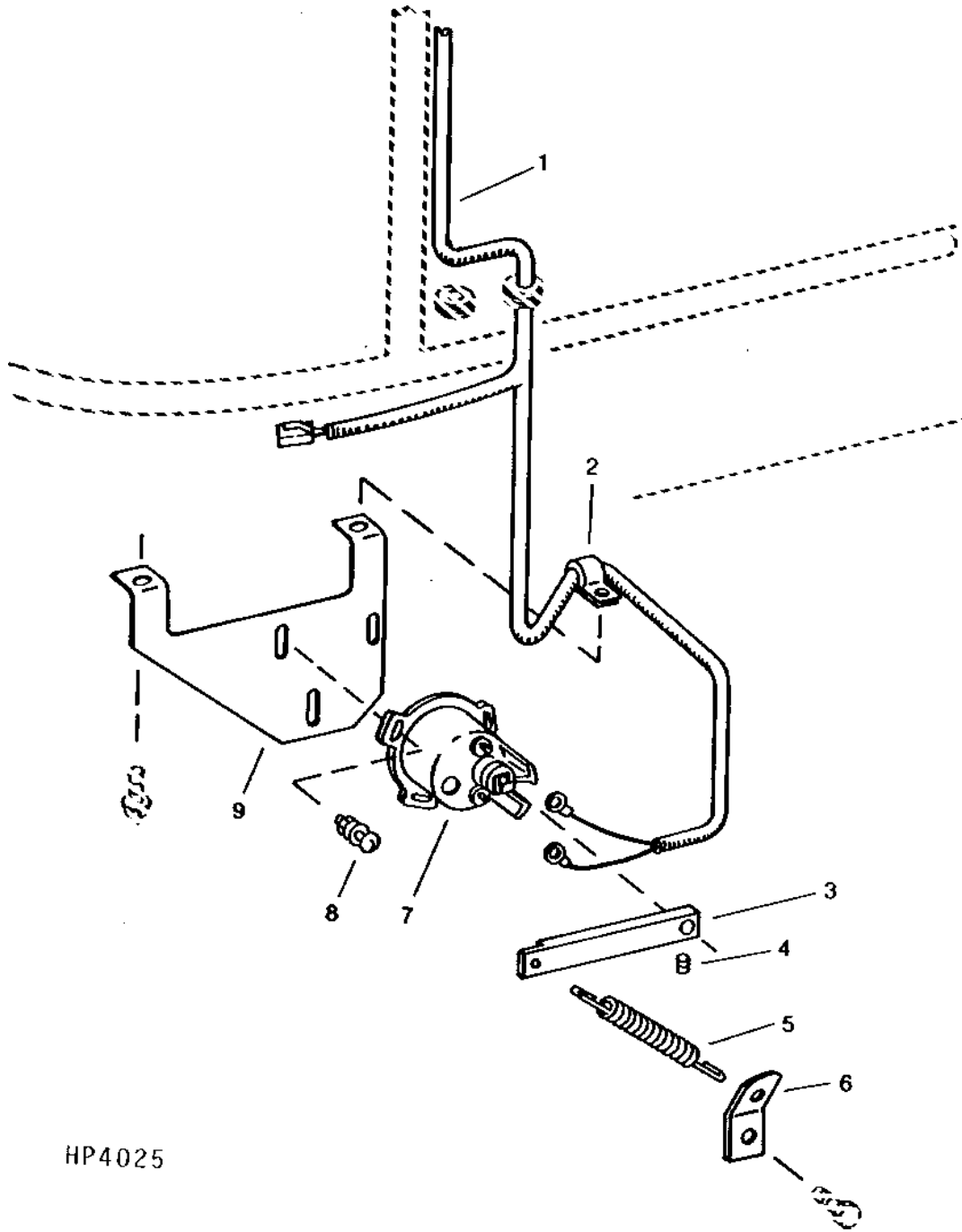
| KEY | PART NO. | PART NAME | QTY | SERIAL NO. | REMARKS |
|-----|----------|-------------|-----|-----------------------|---------|
| 1 | AH135370 | HEADLIGHT | 2 | | |
| 2 | H75716 | LOCK WASHER | 2 | 0.520" | |
| 3 | M2301T | CLAMP | 2 | | |
| 4 | 19M8112 | SCREW | 2 | M12 X 55 | |
| 5 | 57M7197 | BULB | 2 | | |
| 6 | H141411 | CAP | 4 | | |
| 7 | 19M7866 | SCREW | 6 | M8 X 20 | |
| 8 | 24M7055 | WASHER | 1 | 8.400 X 16 X 1.600 MM | |
| 9 | 12M7032 | LOCK WASHER | 1 | 8.400 MM | |
| 10 | 14M7298 | FLANGE NUT | 6 | M8 | |
| 11 | AH135823 | SUPPORT | 1 | L.H. | |
| 12 | AH135822 | SUPPORT | 1 | R.H. | |
| 13 | AH89557 | CLIP | 1 | | |
| 14 | 19M7865 | SCREW | 1 | M8 X 16 | |

3G20

ELECTRICAL

STUBBLE HEIGHT SENSOR (EXPORT ONLY)

HP4025 -UN-01JAN94



HP4025

3G21

ELECTRICAL

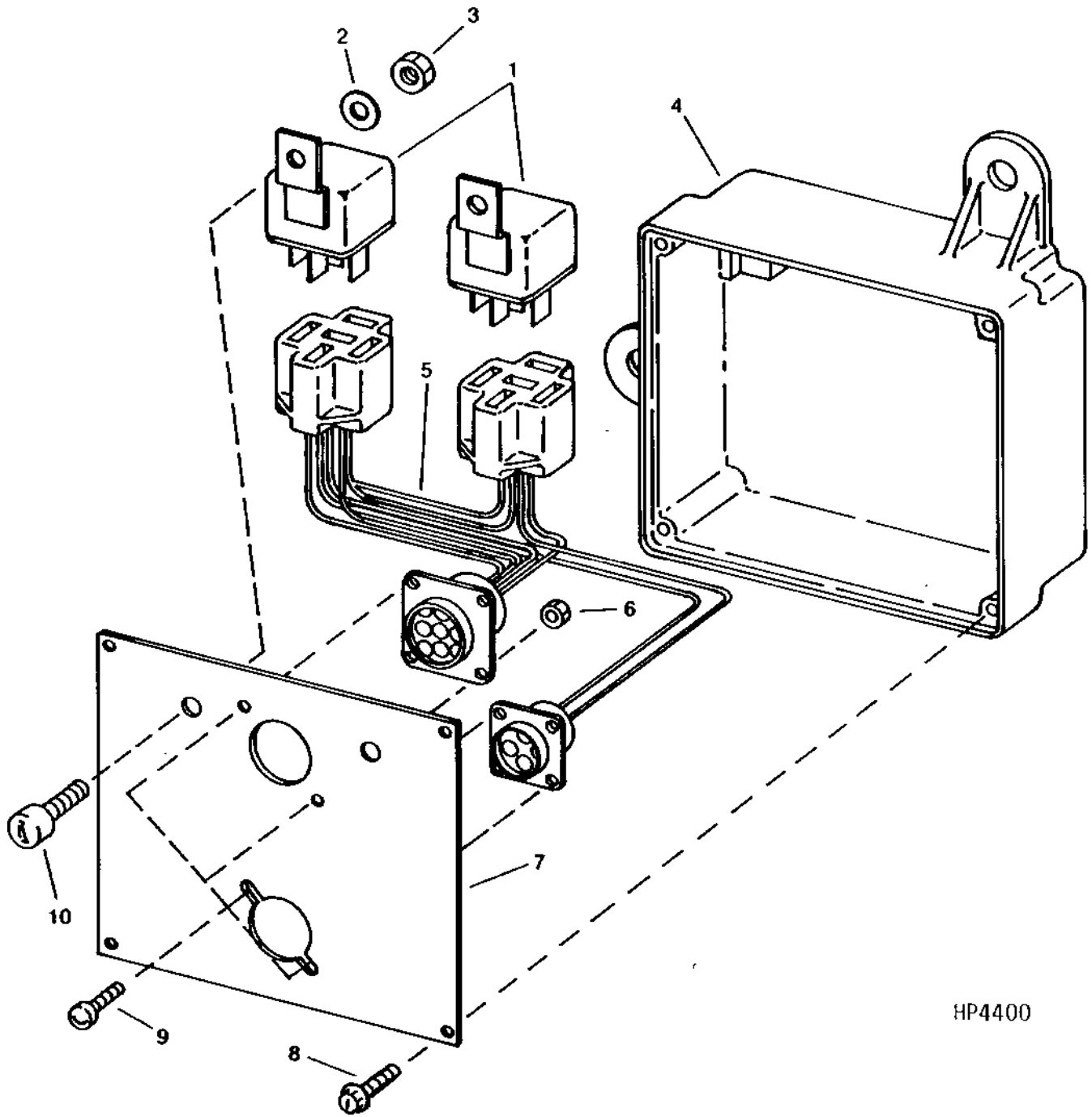
STUBBLE HEIGHT SENSOR (EXPORT ONLY) - CONTINUED

| KEY | PART NO. | PART NAME | QTY | SERIAL NO. | REMARKS |
|-----|----------|----------------|-----|------------|---------------------------|
| 1 | AH137487 | WIRING HARNESS | 1 | | (SUB FOR AH135353) |
| 2 | AH89557 | CLIP | 1 | | |
| 3 | H140913 | ARM | 1 | | |
| 4 | 22M7115 | SET SCREW | 1 | | M3 X 4 |
| 5 | H140914 | LEAF SPRING | 1 | | |
| 6 | H140912 | ANGLE | 1 | | |
| 7 | AZ35028 | SENDER | 1 | | |
| 8 | 21M7252 | SCREW | 3 | | M4 X 16 |
| | 14M7139 | NUT | 3 | | M4, (SUB FOR (3) 14M7100) |
| | 24M7027 | WASHER | 3 | 661673- | 5.300 X 10 X 1 MM |
| | 12M7045 | LOCK WASHER | 3 | | |
| 9 | H144336 | PLATE | 1 | | (SUB FOR H140915) |

3G22

ELECTRICAL

REEL SPEED CONTROL AND RELAYS (EXPORT ONLY - FRANCE)
HP4400 -UN-01JAN94



HP4400

3G23

ELECTRICAL

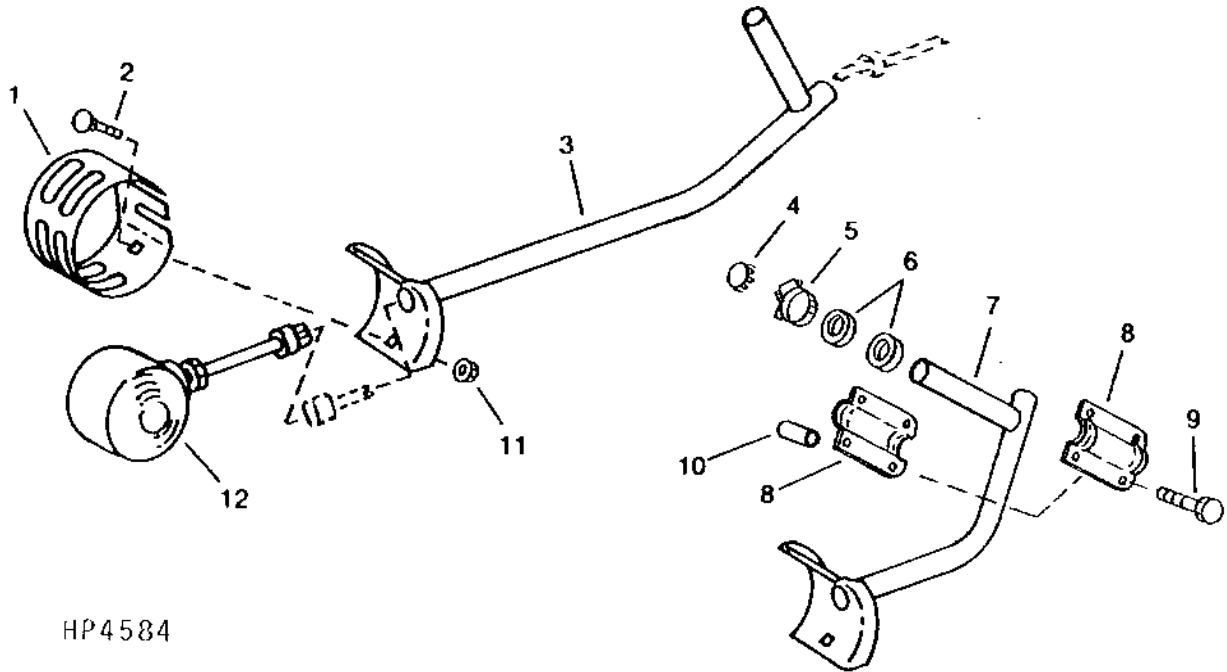
REEL SPEED CONTROL AND RELAYS (EXPORT ONLY - FRANCE) - CONTINUED

| KEY | PART NO. | PART NAME | QTY | SERIAL NO. | REMARKS |
|-----|----------|----------------|-----|------------|--------------------|
| 1 | AR91168 | RELAY | 2 | | (SUB FOR AH134542) |
| 2 | 24M7027 | WASHER | 2 | | 5.300 X 10 X 1 MM |
| 3 | 14M7297 | NUT | 2 | | M5 |
| 4 | H129212 | CIRCUIT BOX | 1 | | |
| 5 | AH134203 | WIRING HARNESS | 1 | | |
| 6 | 14M7196 | NUT | 4 | | M3 |
| 7 | H139867 | COVER | 1 | | |
| 8 | H111364 | SCREW | 4 | | |
| 9 | 21M7284 | SCREW | 4 | | M3 X 16 |
| 10 | 21M7265 | SCREW | 2 | | M5 X 12 |

3G24

ELECTRICAL

TRANSPORT WARNING LIGHTS
HP4584 -UN-01JAN94



HP4584

3G25

ELECTRICAL

TRANSPORT WARNING LIGHTS - CONTINUED

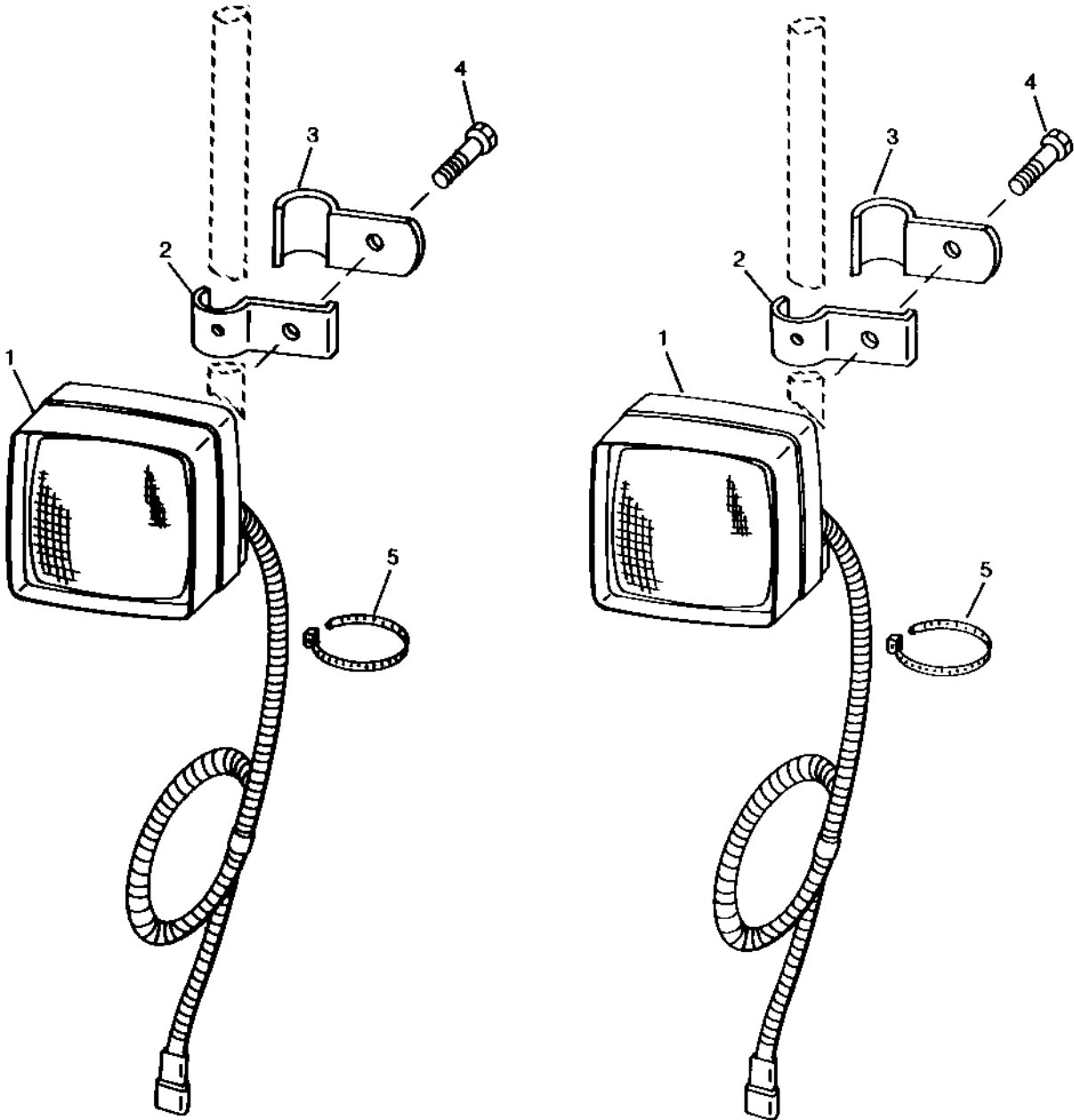
| KEY | PART NO. | PART NAME | QTY | SERIAL NO. | REMARKS |
|-----|----------------|------------------------------------|-----|------------|--|
| 1 | H143317 | SHIELD | 1 | | |
| 2 | 03M7183 | BOLT | 4 | | M8 X 16 |
| 3 | AH136496 | TUBE | 2 | | LONG |
| 4 | H106000 | PLUG | 2 | | |
| 5 | AT18904 | CLAMP | 2 | | |
| 6 | H136110 | ISOLATOR | 2 | | |
| 7 | AH136494 | TUBE | 2 | | SHORT |
| 8 | H136109 | SUPPORT | 4 | -671855 | |
| | H161289 | CLAMP | 4 | 671856- | |
| 9 | 19M7863 | SCREW | 4 | | M6 X 25, L.H. |
| | 19M8321 | SCREW | 4 | | M6 X 45, R.H. |
| 10 | 28H1914 | BUSHING | 4 | | 9.246 X 13.716 X 22.225 MM (0.364" X 0.540" X 7/8") |
| 11 | 14M7298 | FLANGE NUT | 4 | | M8 |
| 12 | AH133316 | LAMP | 2 | | (SUB AH164497) |
| | AH164497 | LAMP | 2 | | |
| .. | BH79539 | COMPLETE GOODS/SHIP. BUNDLE | 1 | | LAMP AND SHIELD |
| .. | BH80677 | COMPLETE GOODS/SHIP. BUNDLE | 1 | | ATT ID-ASAE LIGHT, RETRO LONG ARM |
| .. | BH80678 | COMPLETE GOODS/SHIP. BUNDLE | 1 | | ATT ID-ASAE LIGHT, RETRO SHORT ARM |

3H1

ELECTRICAL

FIELD LIGHTS

(660301-)
HP5865 -UN-15OCT94



HP5865

3H2

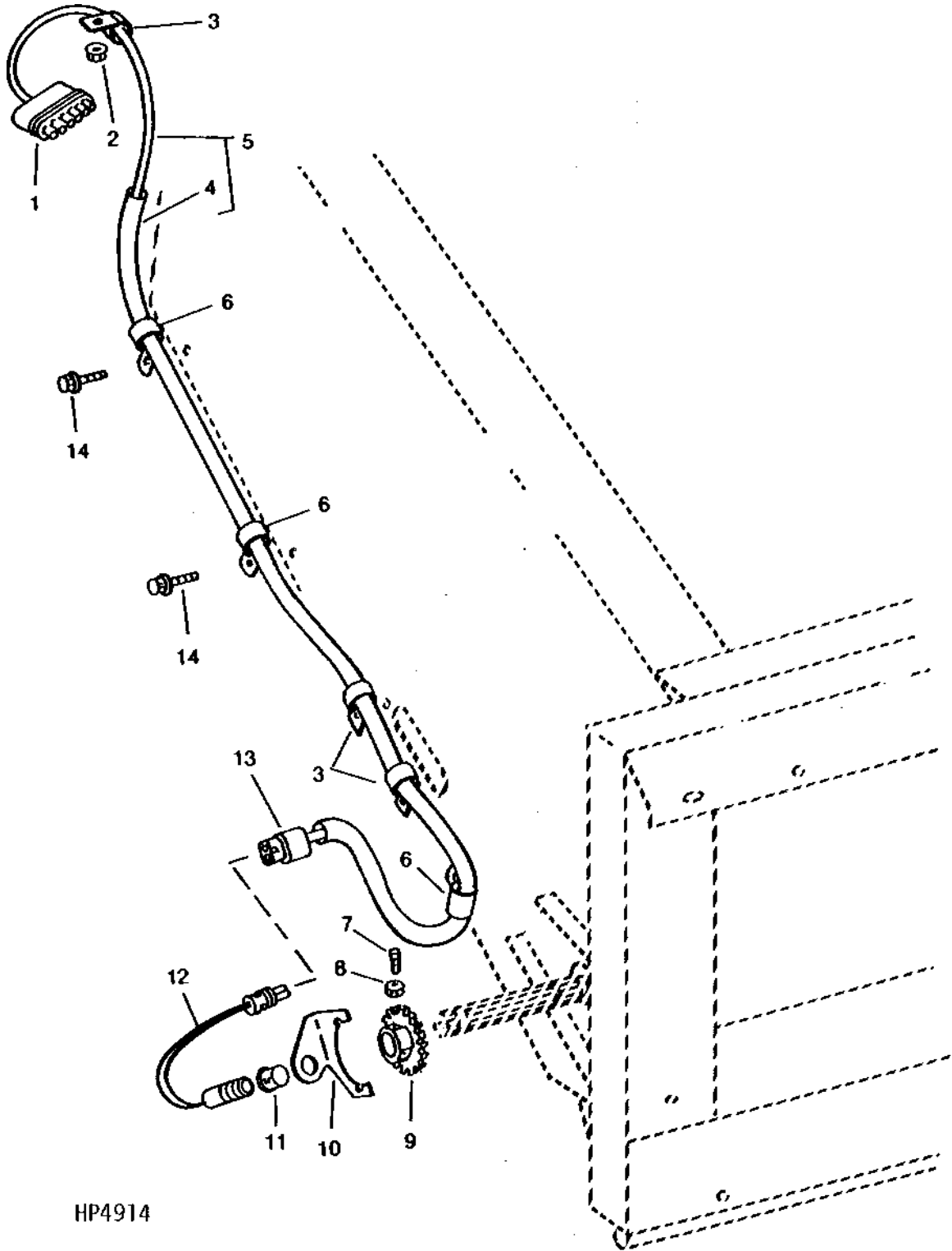
ELECTRICAL

FIELD LIGHTS - CONTINUED
(660301-)

| KEY | PART NO. | PART NAME | QTY | SERIAL NO. | REMARKS |
|-----|----------|-----------|-----|------------|--|
| 1 | AH145563 | FLOODLAMP | 2 | | (INCLUDES AT130104, T80393 AND (4) T80394) |
| 2 | H83790 | CLAMP | 2 | | |
| 3 | H83791 | CLAMP | 2 | | |
| 4 | 19M7867 | SCREW | 2 | | M8 X 25 |
| 5 | R44302 | TIE BAND | 2 | | |

FEEDER HOUSE BACKSHAFT SPEED SENSOR

(645316-)
HP4914 -UN-01JAN94



HP4914

3H4

ELECTRICAL

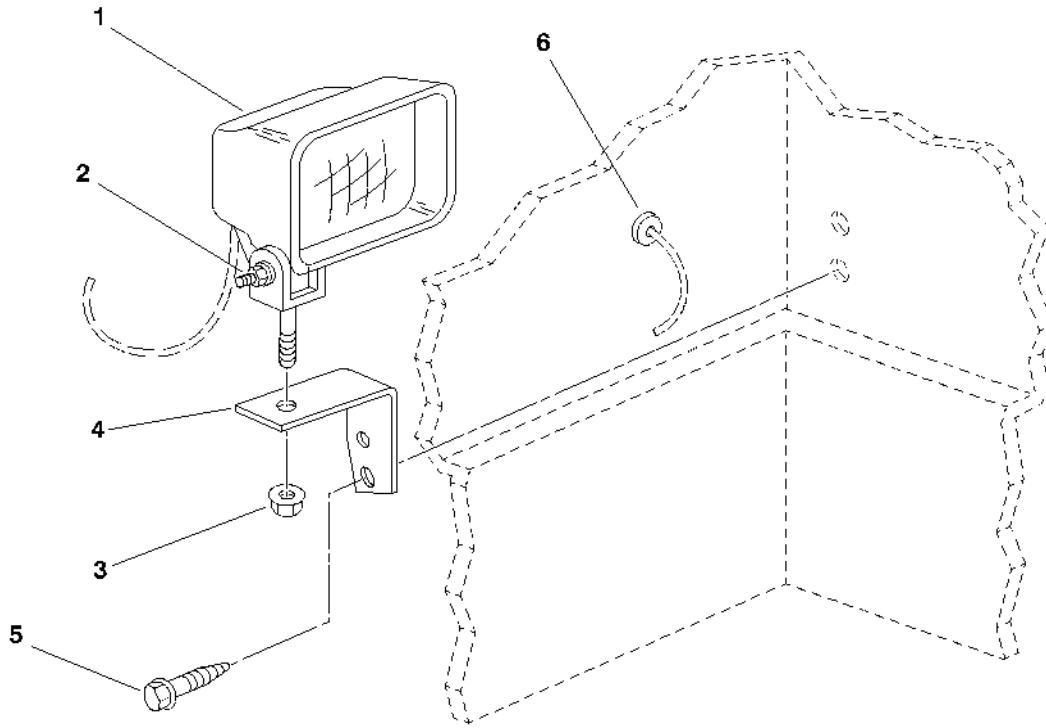
FEEDER HOUSE BACKSHAFT SPEED SENSOR - CONTINUED
(645316-)

| KEY | PART NO. | PART NAME | QTY | SERIAL NO. | REMARKS |
|-----|----------|----------------------------|-----|------------|--|
| 1 | RE12366 | CONNECTOR | 1 | | (PKG OF 2) |
| | R78051 | SEAL | 1 | | (PKG OF 5) |
| | R78060 | SOCKET CONTACT | 1 | | (PKG OF 40) |
| 2 | 14M7299 | FLANGE NUT | 1 | | M12 |
| 3 | AH77279 | CLIP | 3 | | |
| 4 | H132800 | HOSE | 1 | | |
| 5 | AH134288 | WIRING HARNESS | 1 | | |
| 6 | AH89557 | CLIP | 3 | | |
| 7 | A50743 | BOLT | 2 | | M6 X 16 |
| 8 | 14M7272 | NUT | 2 | | M6 |
| 9 | H135772 | WHEEL | 1 | | |
| | H170634 | WHEEL | 1 | | USE WITH AH153339 (GEARBOX) AND AH149349 (DRIVE SPROCKET) |
| 10 | H135773 | BRACKET | 1 | | |
| 11 | H121110 | CLIP | 1 | | |
| 12 | AH116104 | SENSOR | 1 | | BACKSHAFT SPEED |
| 13 | R78053 | PIN CONTACT CONNECTOR BODY | 1 | | (PKG OF 3) |
| | R78063 | TERMINAL NIPPLE | 1 | | (PKG OF 40) |
| 14 | 37M7083 | SCREW | 2 | | M8 X 12 |

3H5

ELECTRICAL

REAR LAMP ASSEMBLY - L.H. SIDE
 HP7290 -UN-08JAN98



HP7290

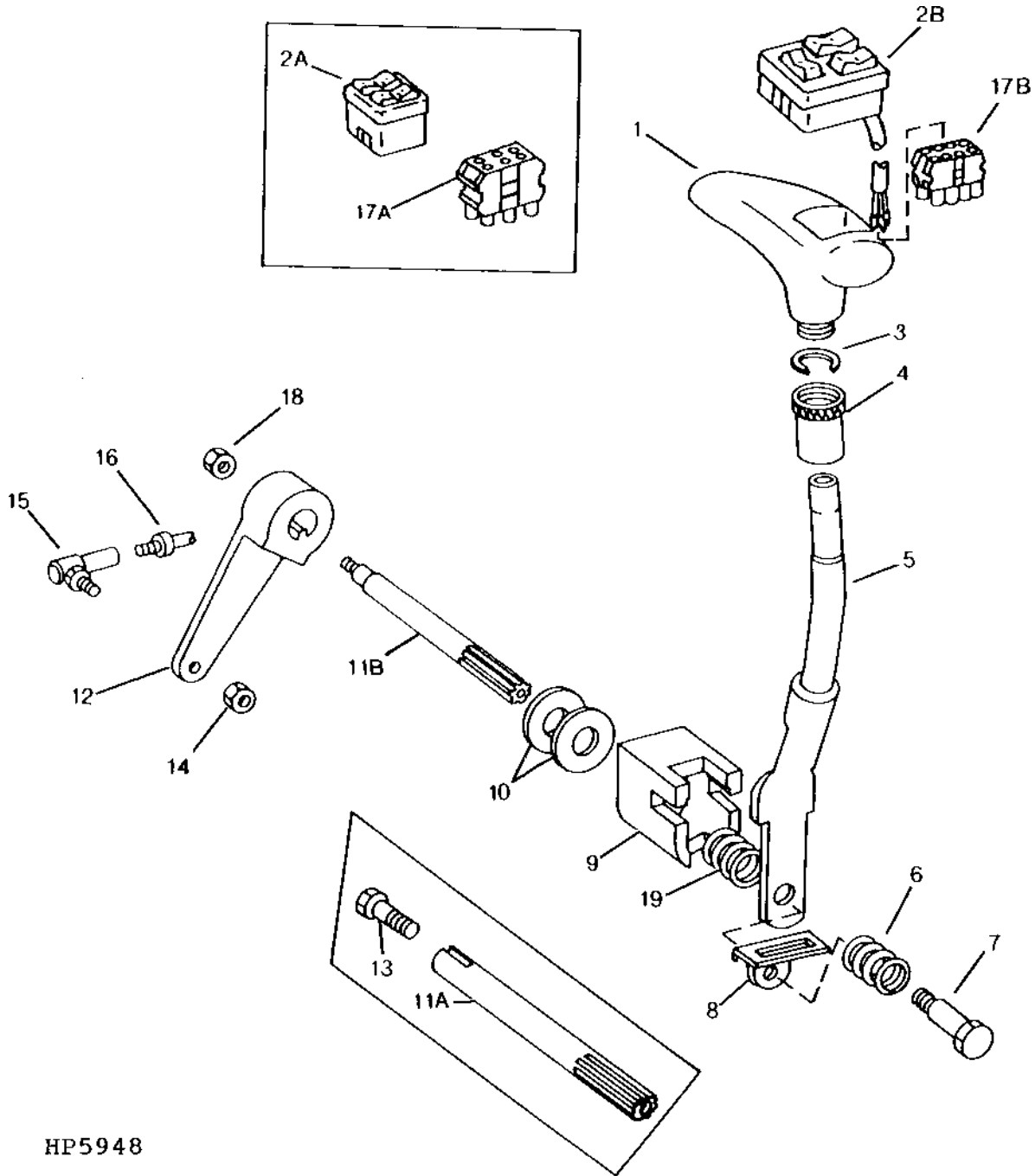
| KEY | PART NO. | PART NAME | QTY | SERIAL NO. | REMARKS |
|-----|----------------|------------------------------------|----------|------------|-----------------------------------|
| 1 | AH158038 | FLOODLAMP | 1 | | |
| | AH165877 | BULB | 1 | | |
| 2 | 19M7298 | CAP SCREW | 1 | | |
| | 14M7298 | FLANGE NUT | 1 | M8 | |
| 3 | 14M7298 | FLANGE NUT | 1 | M8 | |
| 4 | H164759 | BRACKET | 1 | | |
| 5 | 37M7058 | SCREW | 2 | M8 X 20 | |
| | 19M7865 | SCREW | 2 | M8 X 16 | |
| 6 | H80306 | GROMMET | 1 | | |
| | H164757 | PLUG | 1 | | |
| .. | BH81420 | COMPLETE GOODS/SHIP. BUNDLE | 1 | | KIT, REAR DISCHARGE LIGHTS |

MEMORANDA

4B21

HYDROSTATIC DRIVE LEVER, CABLE AND SWITCH

HP5948 -UN-02MAY95



HP5948

4B22

POWER TRAIN

HYDROSTATIC DRIVE LEVER, CABLE AND SWITCH - CONTINUED

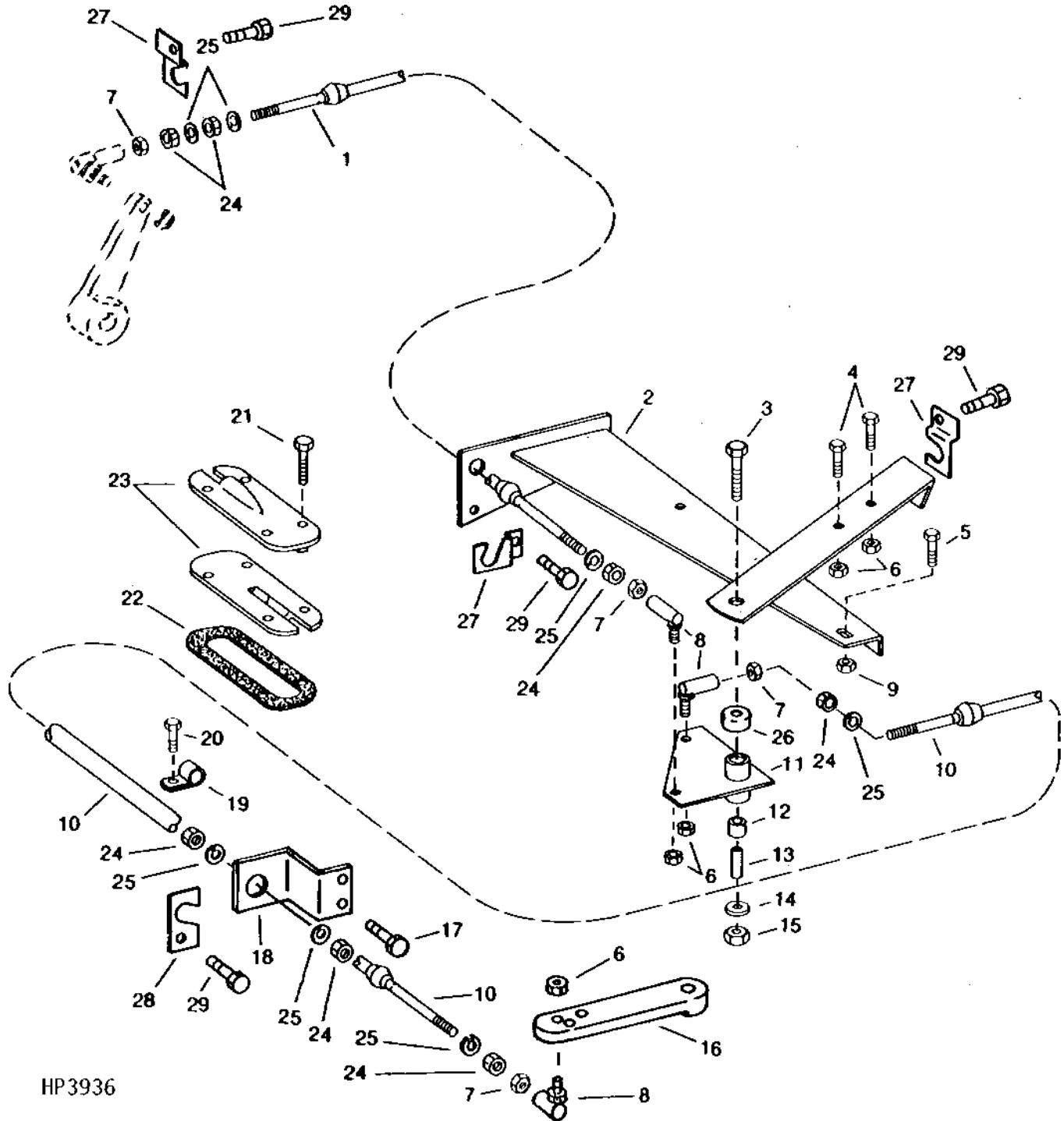
| KEY | PART NO. | PART NAME | QTY | SERIAL NO. | REMARKS |
|-----|----------|-----------------|-----|------------|---|
| 1 | AH115281 | KNOB | 1 | | W/O CONTOUR MASTER |
| | AH145061 | KNOB | 1 | 660301- | W/CONTOUR MASTER |
| 2A | AH140161 | SWITCH | 1 | | (SUB FOR AH114978) W/O CONTOUR MASTER |
| 2B | AH145060 | SWITCH | 1 | 660301- | W/CONTOUR MASTER |
| 3 | T12033 | SNAP RING | 1 | | |
| 4 | H129749 | LOCK | 1 | | |
| 5 | AH124940 | LEVER | 1 | | |
| 6 | 122SE | SPRING | 2 | | |
| 7 | H119007 | SCREW | 1 | | |
| 8 | H128557 | RETAINER | 1 | | |
| 9 | H128536 | BASE | 1 | | |
| 10 | H77739 | WASHER | 1 | | 16.662 X 38.100 X 1.520 MM (21/32" X 1-1/2" X 0.060") |
| 11A | H119008 | SHAFT | 1 | -640300 | |
| 11B | H144184 | SHAFT | 1 | 640301- | |
| 12 | H168989 | ARM | 1 | | (SUB FOR H143891) |
| 13 | 19M7866 | SCREW | 1 | -640300 | M8 X 20 |
| 14 | H168961 | LOCK NUT | 1 | | M6 |
| 15 | AH115487 | BALL JOINT | 1 | | |
| 16 | AH135844 | PUSH PULL CABLE | 1 | | (SUB FOR AH122352) |
| 17A | AH116902 | CONNECTOR | 1 | -660300 | CONNECTS TO HYDRO HANDLE SWITCHES (6-PIN) |
| 17B | H151161 | CONNECTOR | 1 | 660301- | CONNECTS TO HYDRO HANDLE SWITCHES (9-PIN) |
| 18 | 14M7152 | NUT | 1 | | M10 |
| 19 | H95368 | SPRING | 1 | | |

4B23

HYDROSTATIC DRIVE CONTROL CABLES

(-645300)

HP3936 -UN-01JAN94



HP3936

4B24

POWER TRAIN

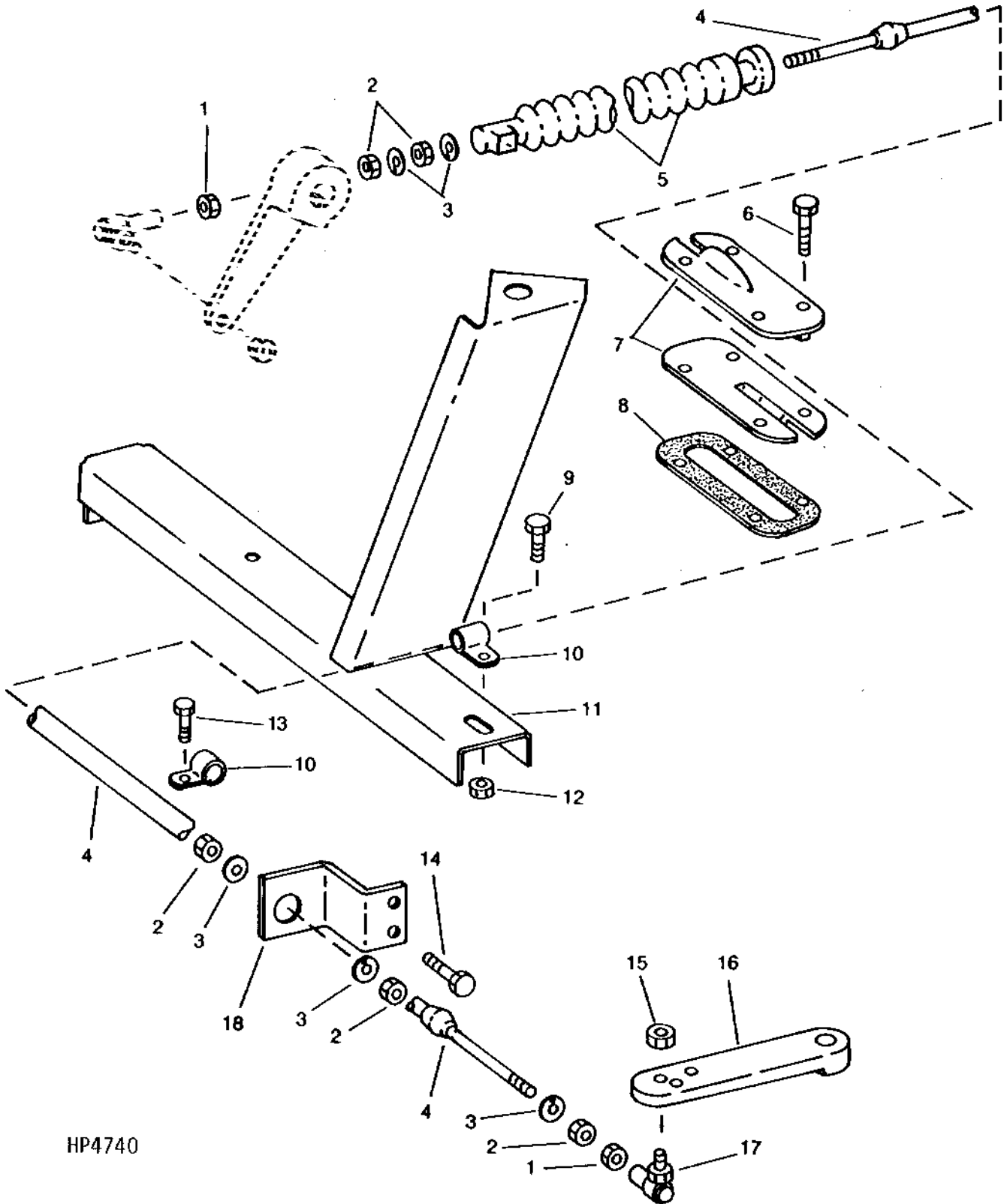
HYDROSTATIC DRIVE CONTROL CABLES - CONTINUED
(-645300)

| KEY | PART NO. | PART NAME | QTY | SERIAL NO. | REMARKS |
|-----|----------|-----------------|-----|---------------|---|
| 1 | AH135844 | PUSH PULL CABLE | 1 | | (SUB FOR AH122352) |
| 2 | AH135808 | SUPPORT | 1 | | (SUB FOR AH126402) |
| 3 | 19M7808 | SCREW | 1 | | M10 X 65 |
| 4 | 19M7862 | SCREW | 2 | | M6 X 20 |
| 5 | 19M7865 | SCREW | 1 | | M8 X 16 |
| 6 | 14M7303 | FLANGE NUT | 5 | | M6 |
| 7 | 14M7272 | NUT | 3 | | M6 |
| 8 | AH106933 | BALL JOINT | 1 | | |
| 9 | 14M7298 | FLANGE NUT | 1 | | M8 |
| 10 | AH121606 | PUSH PULL CABLE | 1 | -636122 | (SUB AH135845) REQUIRES H142044 OR H142045 |
| | AH135845 | PUSH PULL CABLE | 1 | 636123-637653 | |
| | AH138048 | CABLE | 1 | 640301- | |
| 11 | AH122250 | BELLCRANK | 1 | | |
| 12 | H125517 | BEARING | 1 | | |
| 13 | H136575 | SPACER | 1 | | |
| 14 | 24M7178 | WASHER | 1 | | 10.500 X 30 X 2.500 MM |
| 15 | 14M7296 | FLANGE NUT | 1 | | M10 |
| 16 | H168988 | LEVER | 1 | | (SUB FOR H126583) |
| 17 | 19M7867 | SCREW | 2 | | M8 X 25 |
| 18 | H142045 | SUPPORT | 1 | | (SUB FOR H126585 OR H141351) PLANETARY FINAL DRIVES ONLY |
| | H142044 | SUPPORT | 1 | | (SUB FOR H126586 OR (2) H141350) SINGLE REDUCTION FINAL DRIVES ONLY |
| 19 | AH80916 | CLIP | 2 | | |
| 20 | 37M7092 | SCREW | 1 | -640300 | M8 X 16 |
| | 37M7058 | SCREW | 1 | 640301- | M8 X 20 |
| 21 | 37M7131 | SCREW | 1 | | M6 X 20 |
| 22 | H126123 | GASKET | 1 | | |
| 23 | H126124 | CLAMP | 2 | | |
| 24 | 14M7260 | NUT | 5 | | M16 |
| 25 | 24M7241 | WASHER | 5 | | 17 X 34 X 4 MM |
| 26 | H132011 | COVER | 1 | | |
| 27 | H141386 | RETAINER | 3 | 631155-635481 | |
| 28 | H141387 | RETAINER | 1 | 630873-635481 | |
| 29 | 37M7089 | SCREW | 4 | | M6 X 12 |

4C1

HYDROSTATIC DRIVE CONTROL CABLE

(645301-)
HP4740 -UN-01JAN94



HP4740

4C2

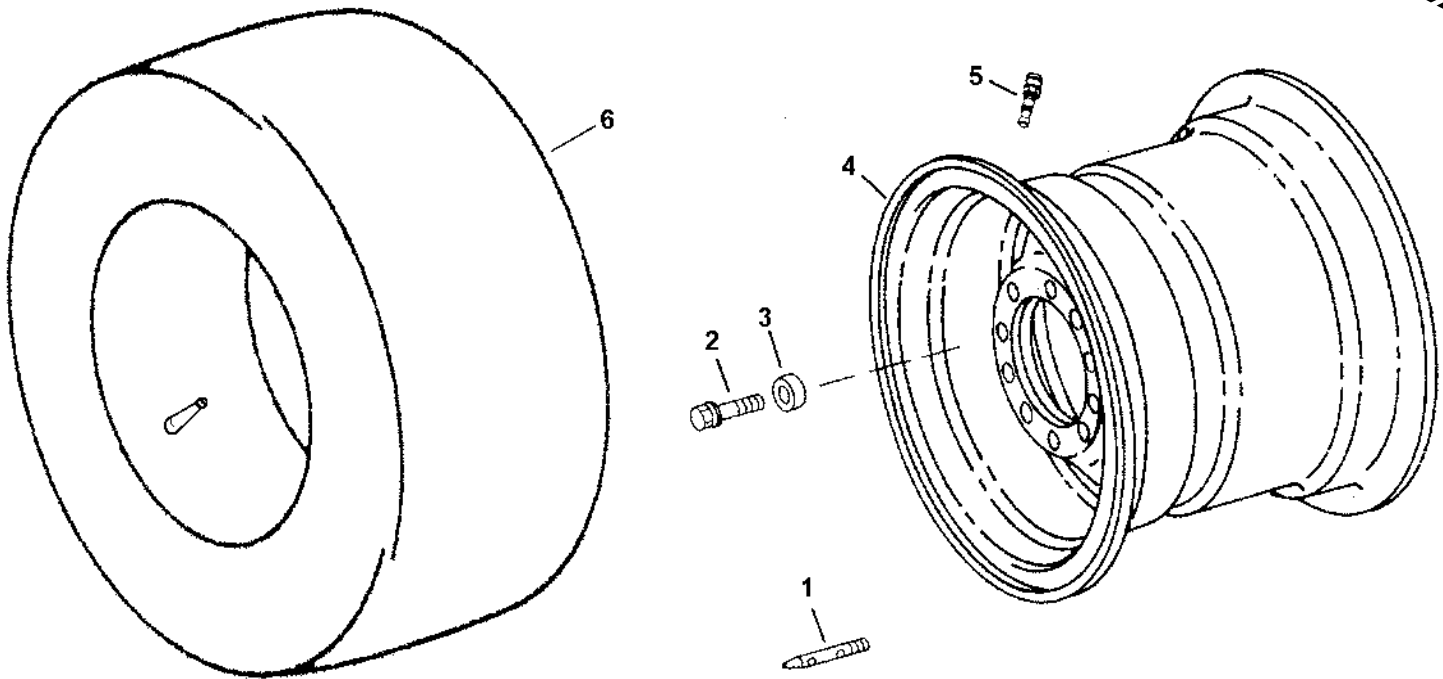
POWER TRAIN

HYDROSTATIC DRIVE CONTROL CABLE - CONTINUED
(645301-)

| KEY | PART NO. | PART NAME | QTY | SERIAL NO. | REMARKS |
|-----|----------|------------|-----|-------------------|---------|
| 1 | 14M7272 | NUT | 2 | M6 | |
| 2 | 14M7260 | NUT | 5 | M16 | |
| 3 | 24M7241 | WASHER | 5 | 17 X 34 X 4 MM | |
| 4 | AH138048 | CABLE | 1 | | |
| 5 | H143445 | BOOT | 1 | | |
| 6 | 37M7131 | SCREW | 4 | M6 X 20 | |
| 7 | H126124 | CLAMP | 2 | | |
| 8 | H126123 | GASKET | 1 | | |
| 9 | 19M7868 | SCREW | 1 | M8 X 30 | |
| 10 | AH80916 | CLIP | 3 | | |
| 11 | AH136362 | SUPPORT | 1 | | |
| 12 | 14M7298 | FLANGE NUT | 1 | M8 | |
| 13 | 37M7058 | SCREW | 1 | M8 X 20 | |
| 14 | 19M7867 | SCREW | 2 | M8 X 25 | |
| 15 | 14M7303 | FLANGE NUT | 1 | M6 | |
| 16 | H168988 | LEVER | 1 | (SUB FOR H126583) | |
| 17 | AH106933 | BALL JOINT | 2 | | |
| 18 | H142044 | SUPPORT | 1 | | |

DRIVE WHEELS

HP7585 -UN-27JUL98



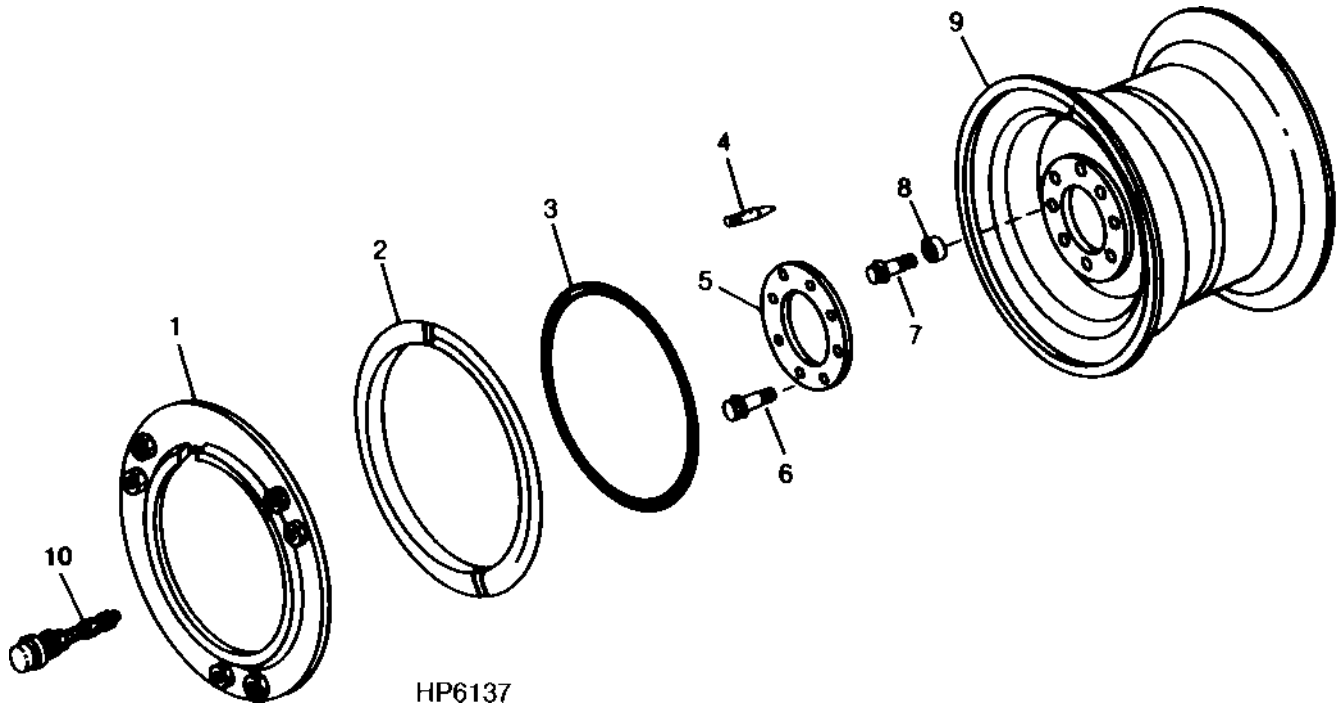
HP7585

| KEY | PART NO. | PART NAME | QTY | SERIAL NO. | REMARKS |
|-----|----------|-----------------|-----|------------|--|
| 1 | H138607 | STUD | 1 | | 20 X 205MM (0.787" X 8.07") (USE FOR WHEEL MOUNTING ONLY) |
| 2 | H134600 | CAP SCREW | 20 | | M20 X 85 |
| 3 | H134114 | SPACER | 20 | | 21.500 X 50 X 28 MM (0.846" X 1.969" X 1.102") |
| 4 | AH132128 | WHEEL | 2 | | (24.5 X 32 TIRES) |
| | AH130625 | WHEEL | 2 | | (30.5L X 32-16 PLY TIRES) PLANETARY FINAL DRIVE |
| | AH127656 | WHEEL | 2 | | (35.5L X 32 TIRES)(PLANETARY FINAL DRIVE) |
| | AH132116 | WHEEL | 2 | | 30.5L X 32 - 16 PLY, SINGLE REDUCTION |
| | AH147545 | WHEEL | 2 | | (SUB FOR AH145622) (68 X 50-32 - 16 PLY TIRES) SINGLE REDUCTION |
| | AH156626 | WHEEL | 2 | | (SUB FOR AH133844) (30.5 X 32 TIRES)(14 PLY MAX.) |
| 5 | AT25226 | TIRE VALVE STEM | 1 | | (USE WITH TUBELESS TIRES) |
| 6 | H83135 | TUBE | 2 | 3NOV97- | 30.5 X 32 (SERVICE ONLY FOR RUSSIA AND UKRAINE) |
| .. | H134442 | LABEL | 2 | | "IMPORTANT" WHEEL BOLT TORQUE |
| .. | H140709 | LABEL | 2 | | "IMPORTANT" 26 PSI (182 KPA) (24.5 X 32-10 PLY,0R 30.5L X 32-12 PLY TIRES) |
| .. | H140749 | LABEL | 2 | | (FRENCH) |
| .. | H116640 | LABEL | 2 | | "IMPORTANT" 32 PSI (225 KPA) (24.5 X 32-12 PLY TIRES) |
| .. | H108604 | LABEL | 2 | | "IMPORTANT" 20 PSI (140 KPA)(30.5L X 32-10 OR 35.5L X 32-12 PLY TIRES) |
| .. | H140710 | LABEL | 2 | | "IMPORTANT" 34 PSI (235 KPA)(30.5L X 32-16 PLY TIRES) |
| .. | H140750 | LABEL | 2 | | "IMPORTANT" 34 PSI (235 KPA)(30.5L X 32-14 PLY TIRES)(FRENCH) |
| .. | H140751 | LABEL | 2 | | "IMPORTANT" 36 PSI (250 KPA) (20.8 X 38-12 PLY TIRES)(FRENCH) |
| .. | H116639 | DECAL | 2 | | "IMPORTANT" 28 PSI (195 KPA) (30.5L X 32-14 PLY TIRES) |
| .. | H150646 | DECAL | 2 | 660301- | "IMPORTANT" 15 PSI (103 KPA) (68 X 50-32, 16 PLY TIRE) |
| .. | H116641 | LABEL | 2 | -641245 | (SUB H145995) IMPORTANT-WHEEL BOLT TORQUE (FRENCH) |
| .. | H145995 | LABEL | 2 | | |

4C4

**HIGH FLOATION DRIVE WHEELS
PLANETARY FINAL DRIVE**

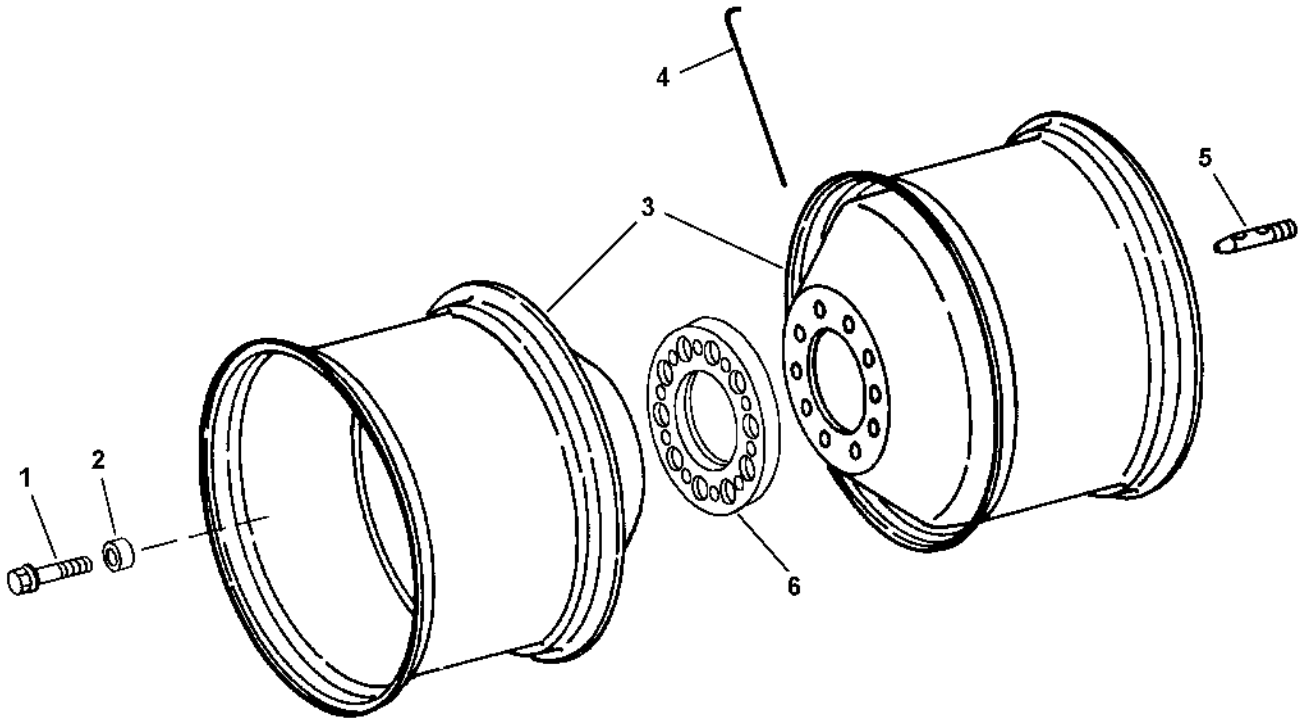
(660301-)
HP6137 -UN-23AUG95



| KEY | PART NO. | PART NAME | QTY | SERIAL NO. | REMARKS |
|-----|----------|-----------------|-----|------------|---|
| 1 | AH147544 | FLANGE | 1 | | (SUB FOR AH145623) |
| 2 | H105822 | RING | 1 | | |
| 3 | H111500 | O-RING | 1 | | |
| 4 | H138607 | STUD | 1 | | |
| 5 | H89431 | RING | 1 | | |
| 6 | 19H3343 | CAP SCREW | 8 | | 15.875 X 50.800 MM (5/8" X 2") |
| 7 | H134600 | CAP SCREW | 10 | | M20 X 85 |
| 8 | H134114 | SPACER | 10 | | 21.500 X 50 X 28 MM (0.846" X 1.969" X 1.102") |
| 9 | AH147546 | WHEEL | 1 | | (SUB FOR AH145624) 68 X 50-32, 16 PLY HIGH FLOATION TIRES |
| 10 | AT36212 | TIRE VALVE STEM | 1 | 662434- | |

4C5

WIDE-SPACED DUAL WHEELS
HP7465 -UN-10MAR98



HP7465

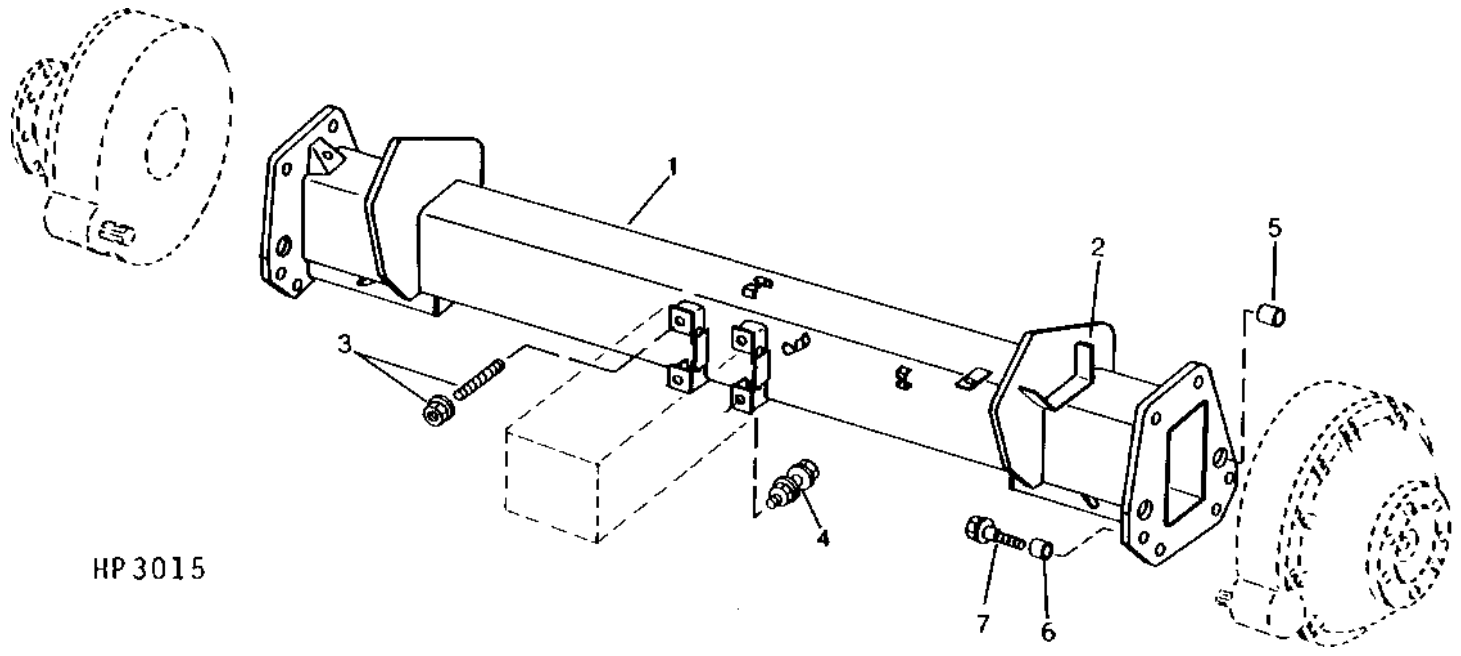
| KEY | PART NO. | PART NAME | QTY | SERIAL NO. | REMARKS |
|-----|----------------|------------------------------------|----------|---|---|
| 1 | H134600 | CAP SCREW | 10 | M20 X 85 | |
| 2 | H134114 | SPACER | 10 | 21.500 X 50 X 28 MM (0.846" X 1.969" X 1.102") | |
| 3 | AH130627 | WHEEL | 2 | (18.4 R38 TIRES) | |
| | AH130626 | WHEEL | 2 | (18.4 R42 TIRES) (PLANETARY FINAL DRIVE) | |
| | AH140253 | WHEEL | 2 | (20.8 X 38 TIRES) | |
| | AH145348 | WHEEL | 2 | (20.8 X 42 TIRES) | |
| 4 | H122063 | PIN | 1 | -671384 | |
| 5 | H138607 | STUD | 2 | 20 X 205MM (0.787" X 8.07") (USE FOR WHEEL MOUNTING ONLY) | |
| 6 | N276699 | SPACER | 1 | | |
| .. | H122573 | DECAL | 2 | -671384 | "CAUTION" REMOVING DUAL WHEELS |
| .. | H134442 | LABEL | 2 | | "IMPORTANT" WHEEL BOLT TORQUE |
| .. | H111537 | LABEL | 2 | | "IMPORTANT" 22 PSI (152 KPA) (18.4 R38 TIRES) (SUB H108605) |
| .. | H108605 | LABEL | 2 | | "IMPORTANT" 165KPA (24 PSI) (18.4 X R38 TIRES) |
| .. | H111538 | LABEL | 2 | | "IMPORTANT" 22 PSI (152 KPA) (18.4 R38 TIRES) (PLANETARY FINAL DRIVE) |
| .. | H158975 | DECAL | 2 | 671385- | |
| .. | BH80408 | COMPLETE GOODS/SHIP. BUNDLE | 1 | | DUAL WHEELS |

4C6

POWER TRAIN

**FRONT AXLE
(RING AND PINION FINAL DRIVE)**

HP3015 -UN-01JAN94

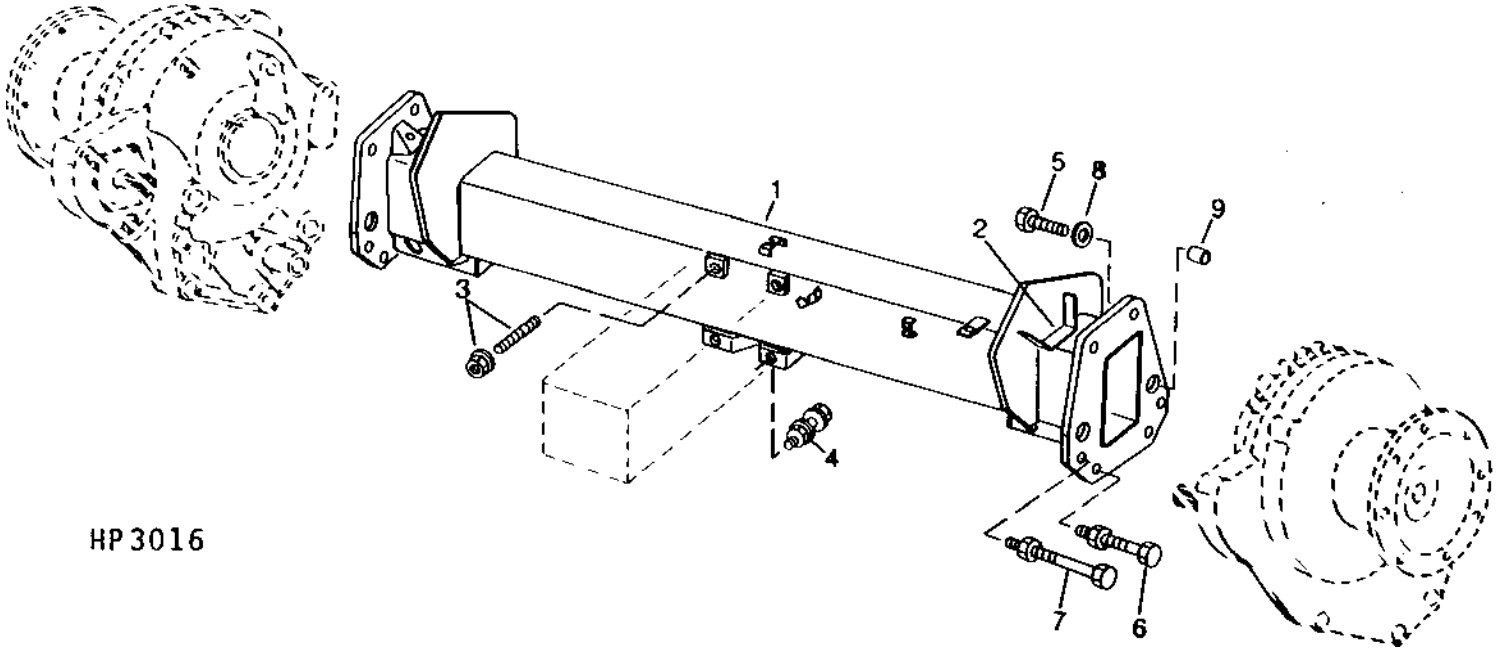


HP 3015

| KEY | PART NO. | PART NAME | QTY | SERIAL NO. | REMARKS |
|-----|----------|------------|-----|------------|---|
| 1 | AH128046 | FRONT AXLE | 1 | | |
| 2 | H132126 | PLATE | 2 | | NO LONGER AVAILABLE (REQUIRED WITH AXLE REPLACEMENT) NO LONGER AVAILABLE |
| 3 | 42M7028 | STUD | 2 | | M16 X 75 |
| | 14M7291 | FLANGE NUT | 2 | | M16 FLANGE |
| 4 | H107504 | BOLT | 2 | | |
| | 14M7291 | FLANGE NUT | 2 | | M16 FLANGE |
| 5 | H87691 | BUSHING | 4 | | |
| 6 | H156127 | SLEEVE | 12 | | 21.500 X 45 X 22 MM (0.846" X 1.772" X 0.866") (SUB FOR H116333) |
| 7 | 19M7831 | SCREW | 12 | -666693 | M20 X 80 |
| | 19M7892 | CAP SCREW | 12 | 666694- | M20 X 80 |

**FRONT AXLE
(PLANETARY FINAL DRIVES)**

HP3016 -UN-01JAN94

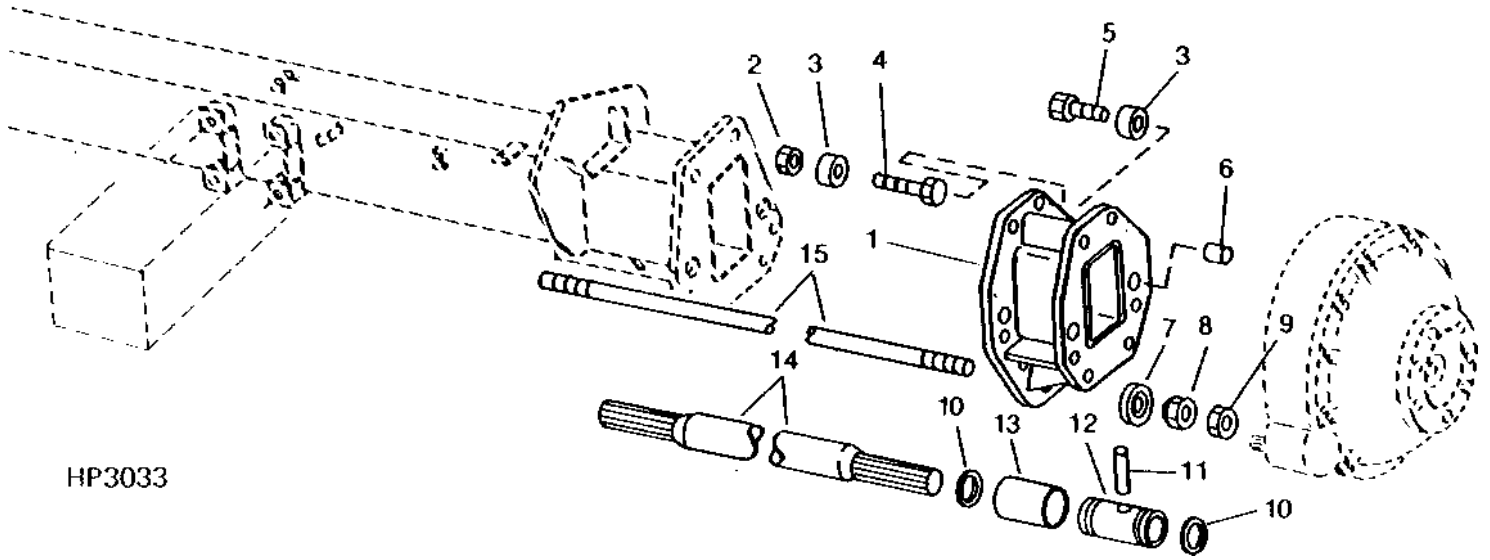


| KEY | PART NO. | PART NAME | QTY | SERIAL NO. | REMARKS |
|-----|----------|------------|-----|------------|---|
| 1 | AH128047 | FRONT AXLE | 1 | | |
| 2 | H132126 | PLATE | 2 | | NO LONGER AVAILABLE (REQUIRED WITH AXLE REPLACEMENT) |
| 3 | 42M7028 | STUD | 2 | | M16 X 75 |
| | 14M7291 | FLANGE NUT | 2 | | M16 FLANGE |
| 4 | H107504 | BOLT | 2 | | |
| | 14M7291 | FLANGE NUT | 2 | | M16 FLANGE |
| 5 | 19M8346 | CAP SCREW | 4 | | M24 X 70 |
| 6 | 19M7781 | CAP SCREW | 6 | | M24 X 150 |
| | 14M7278 | NUT | 6 | | M24 |
| 7 | 19M8216 | CAP SCREW | 2 | | M24 X 310 |
| | 14M7278 | NUT | 2 | | M24 |
| 8 | 24M7243 | WASHER | 12 | | 25.400 X 50 X 6 MM, (SUB FOR 24M7237) |
| 9 | H87691 | BUSHING | 4 | | 9.652 X 28.956 X 35.052 MM (0.380" X 1.140" X 1.380") |

4C8

**AXLE SPACERS
(RING AND PINION FINAL DRIVE)**

HP3033 -UN-01JAN94

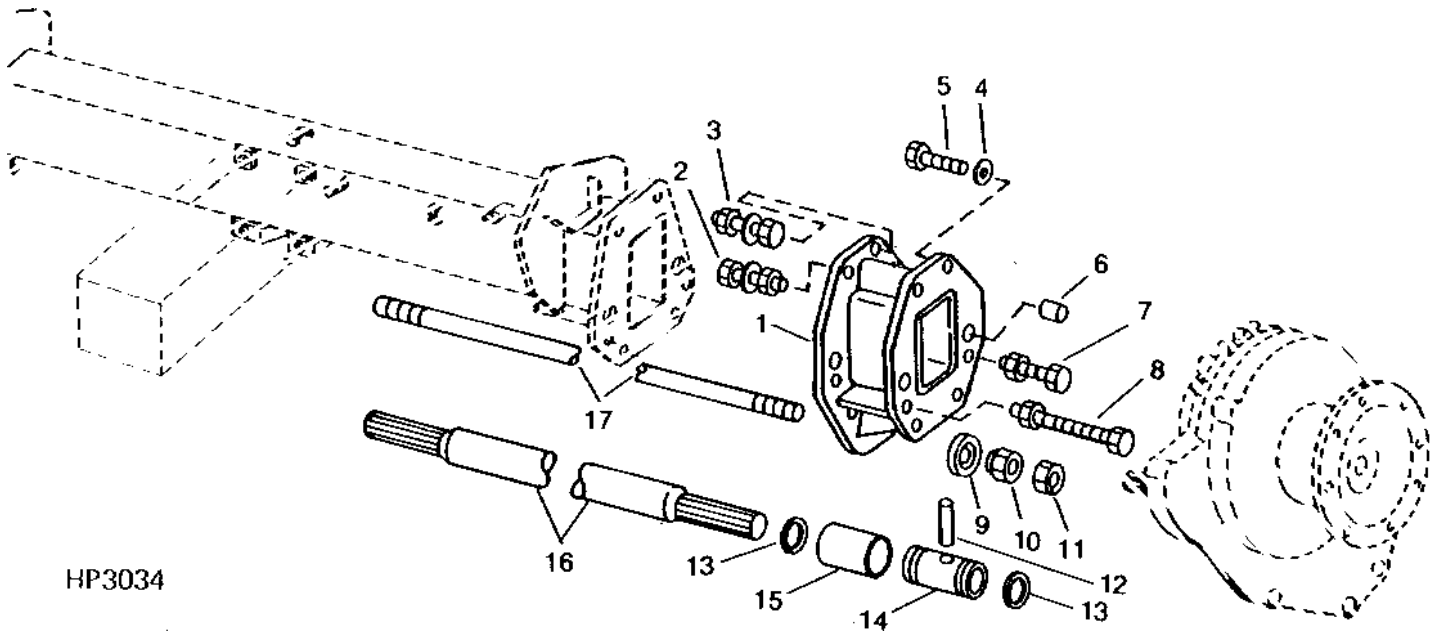


HP3033

| KEY | PART NO. | PART NAME | QTY | SERIAL NO. | REMARKS |
|-----|----------------|------------------------------------|----------|------------|--|
| 1 | H168165 | SPACER | 1 | | (SUB FOR AH128722) 6"(165 MM) |
| | H168744 | SPACER | 2 | | (SUB FOR AH125587 OR AH142158) 12"(300 MM) |
| | H168166 | SPACER | 2 | | (SUB FOR AH125588 OR AH142139) 16"(400 MM) |
| 2 | 14M7300 | FLANGE NUT | 12 | | M20 |
| 3 | H156127 | SLEEVE | 24 | | 21.500 X 45 X 22 MM (0.846" X 1.772" X 0.866") (SUB FOR H116333) |
| 4 | 19M7963 | CAP SCREW | 12 | | M20 X 100 |
| 5 | 19M8147 | CAP SCREW | 12 | | M20 X 90 |
| 6 | H87691 | BUSHING | 8 | | 9.652 X 28.956 X 35.052 MM (0.380" X 1.140" X 1.380") |
| 7 | H130287 | SPACER | 2 | | |
| 8 | H130288 | NUT | 2 | | |
| 9 | 14M7431 | NUT | 2 | | M30 |
| 10 | H133229 | SNAP RING | 4 | | |
| 11 | H131754 | PIN | 2 | | 10 X 52 MM (0.394" X 2.047") |
| 12 | H165510 | SPLINED COUPLING | 2 | | (SUB FOR H133230) |
| 13 | H134444 | SLEEVE | 2 | | |
| 14 | H165661 | SHAFT | 2 | | 165 MM, (SUB FOR H133242) |
| | H165662 | SHAFT | 1 | | 300 MM, (SUB FOR H133244) |
| | H165663 | SHAFT | 1 | | 400 MM, (SUB FOR H133246) |
| 15 | H133634 | STUD | 1 | | |
| .. | BH81703 | COMPLETE GOODS/SHIP. BUNDLE | 2 | | (165 MM) AXLE SPACER |
| .. | BH81704 | COMPLETE GOODS/SHIP. BUNDLE | 2 | | (400 MM) AXLE SPACER |
| .. | BH81705 | COMPLETE GOODS/SHIP. BUNDLE | 2 | | (300 MM) AXLE SPACER |

4C9

**AXLE SPACERS
(PLANETARY FINAL DRIVE)**
HP3034 -UN-01JAN94



HP3034

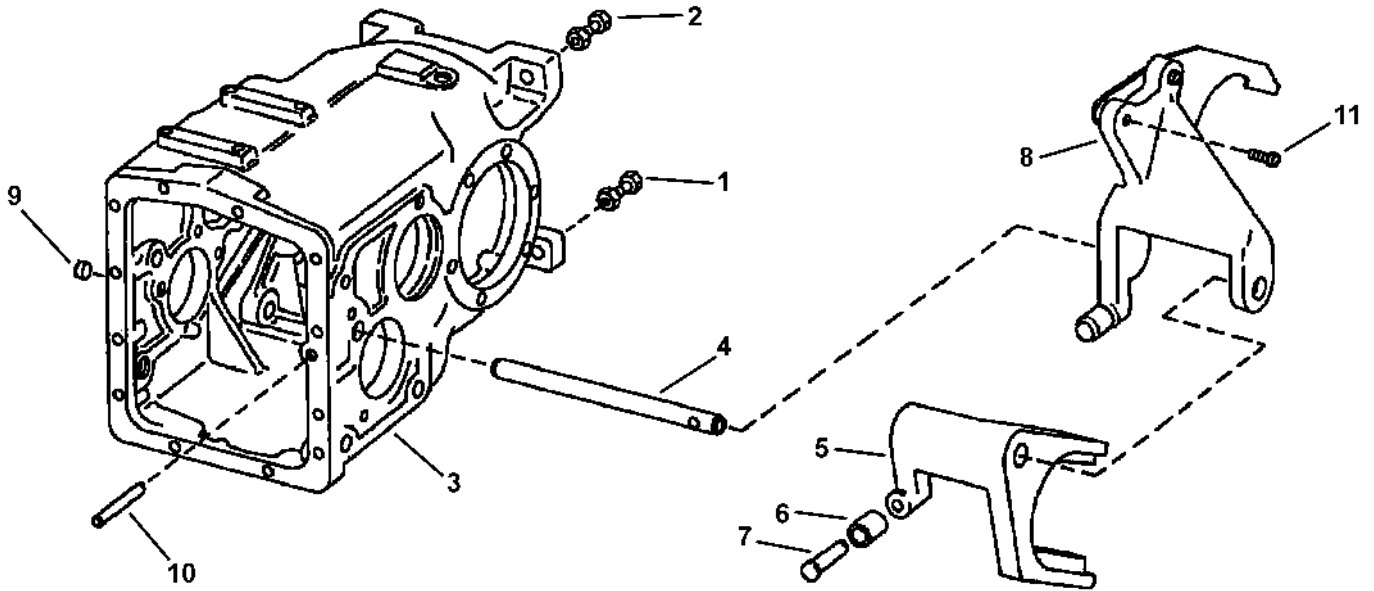
| KEY | PART NO. | PART NAME | QTY | SERIAL NO. | REMARKS |
|-----|----------|------------------|-----|------------|---|
| 1 | H168165 | SPACER | 1 | | (SUB FOR AH128722) (165 MM) - 6"(WIDE SPACED DUAL WHEELS) |
| | H168166 | SPACER | 2 | | (SUB FOR AH142139) (400 MM)-16" |
| | H168744 | SPACER | 1 | | (SUB FOR AH142158) (300 MM)-12" |
| 2 | 19M8288 | CAP SCREW | 10 | | M24 X 90 |
| | 24M7243 | WASHER | 10 | | 25.400 X 50 X 6 MM, (SUB FOR 24M7237) |
| | 14M7278 | NUT | 10 | | M24 |
| 3 | 19M8288 | CAP SCREW | 2 | | M24 X 90 |
| | 24M7243 | WASHER | 2 | | 25.400 X 50 X 6 MM, (SUB FOR 24M7237) |
| | 14M7278 | NUT | 2 | -641716 | M24 |
| | 14M7298 | FLANGE NUT | 2 | 641717- | |
| 4 | 24M7243 | WASHER | 12 | | 25.400 X 50 X 6 MM, (SUB FOR 24M7237) |
| 5 | 19M8346 | CAP SCREW | 4 | | M24 X 70 |
| 6 | H87691 | BUSHING | 8 | | 9.652 X 28.956 X 35.052 MM (0.380" X 1.140" X 1.380") |
| 7 | 19M7781 | CAP SCREW | 6 | | M24 X 150 |
| | 14M7278 | NUT | 6 | | M24 |
| 8 | 19M8216 | CAP SCREW | 2 | | M24 X 310 |
| | 14M7278 | NUT | 2 | | M24 |
| 9 | H130287 | SPACER | 2 | | 36 X 69.850 X 14 MM (1.417" X 2-3/4" X 0.551") |
| 10 | H130288 | NUT | 2 | | |
| 11 | 14M7431 | NUT | 2 | | M30 |
| 12 | H131754 | PIN | 2 | | 10 X 52 MM (0.394" X 2.047") |
| 13 | H133229 | SNAP RING | 4 | | |
| 14 | H133231 | SPLINED COUPLING | 2 | | |
| 15 | H134444 | SLEEVE | 2 | | 55.500 X 60.300 X 85.100 MM (2.185" X 2.374" X 3.350") |
| 16 | H126545 | DRIVE SHAFT | 2 | | (300 MM) - 12" |
| | H133243 | DRIVE SHAFT | 2 | | (165 MM) - 6" (WIDE SPACED DUAL WHEELS) |
| | H126404 | DRIVE SHAFT | 2 | | (400MM) |
| 17 | H133635 | STUD | 1 | | |

4C10

POWER TRAIN

TRANSMISSION AND DIFFERENTIAL HOUSING AND SHIFTER FORKS

HP7492 -UN-02APR98

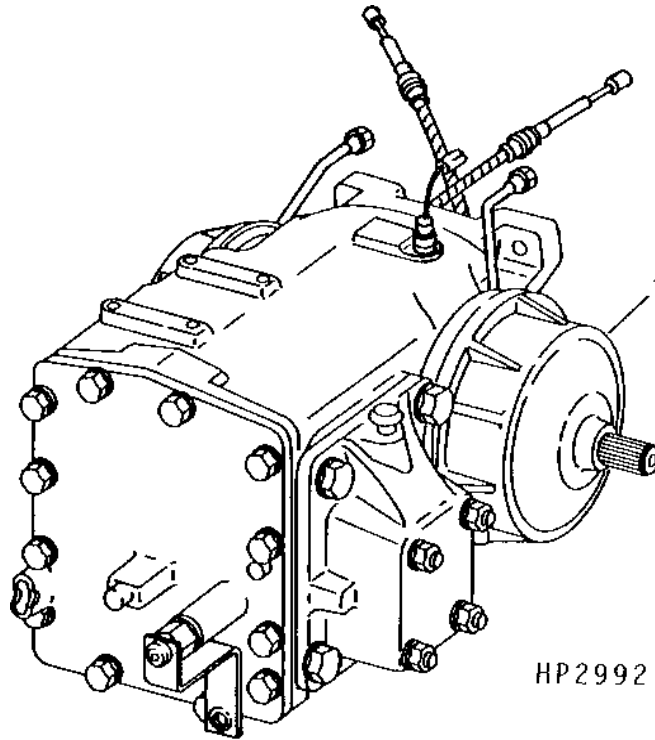


HP7492

| KEY | PART NO. | PART NAME | QTY | SERIAL NO. | REMARKS |
|-----|----------|------------|-----|------------|---|
| 1 | H107504 | BOLT | 2 | | M16 X 70 |
| 2 | 42M7028 | STUD | 2 | | |
| | 14M7291 | FLANGE NUT | 2 | | M16 |
| 3 | | HOUSING | 1 | | (ORDER AH140410) |
| 4 | H146640 | RAIL | 1 | | (SUB FOR H133352) |
| 5 | H135112 | SHIFTER | 1 | | |
| 6 | R26207 | ROLLER | 2 | | |
| 7 | H76152 | PIN | 2 | | 9.512 X 27.686 MM (3/8" X 1.090") |
| 8 | AH122575 | SHIFTER | 1 | | |
| 9 | N102039 | CAP | 1 | | |
| 10 | T76836 | PIN | 1 | | 10 X 74 MM (0.394" X 2.913") |
| | 14M7291 | FLANGE NUT | 2 | | M16 |
| 11 | 19M7785 | SCREW | 3 | 29SE97- | |
| .. | TY16285 | PRIMER | 1 | | 170 ML (6 OZ.) SPRAY CAN, CLEAN AND CURE |
| .. | TY9371 | ADHESIVE | 1 | | 6 ML (0.2 OZ.) TUBE, HIGH STRENGTH |
| .. | TY6304 | SEALANT | 1 | | |
| .. | AH140410 | KIT | 1 | | (INCLUDES CE18201, N196062, (2) R26375, (2) R33138, T12083, (3) T77857, 15H585 AND 19M7784) |

4C11

TRANSMISSION
 (-657284)
 HP2992 -UN-01JAN94



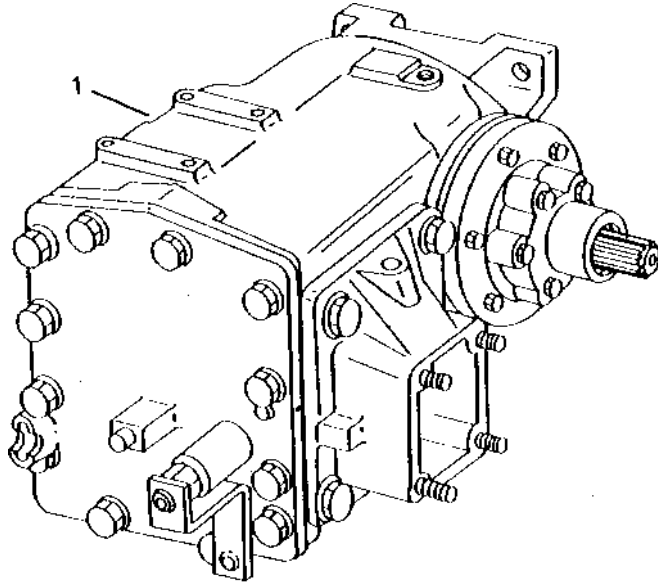
HP2992

| KEY | PART NO. | PART NAME | QTY | SERIAL NO. | REMARKS |
|-----|----------|--------------|-----|------------|---|
| 1 | AH158660 | TRANSMISSION | 1 | | (SUB FOR AH134903, AH137329 OR AH145614) (FOR RING AND PINION FINAL DRIVE ONLY) |
| | AH137328 | TRANSMISSION | 1 | -657284 | (SUB FOR AH134902) (FOR PLANETARY FINAL DRIVE ONLY) |
| | AH145613 | TRANSMISSION | 1 | 657285- | (FOR PLANETARY FINAL DRIVE ONLY) |
| | AH158662 | TRANSMISSION | 1 | | (SUB FOR AH137295, AH137795 OR AH145615) |
| | AH131690 | TRANSMISSION | 1 | -638116 | AUSTRALIA (EXPORT ONLY - FRANCE) |
| | AH158659 | TRANSMISSION | 1 | 638117- | (SUB FOR AH137327 OR AH145612) (EXPORT ONLY - FRANCE) |

4C12

TRANSMISSION

(657285-)
HP5722 -UN-01JAN94



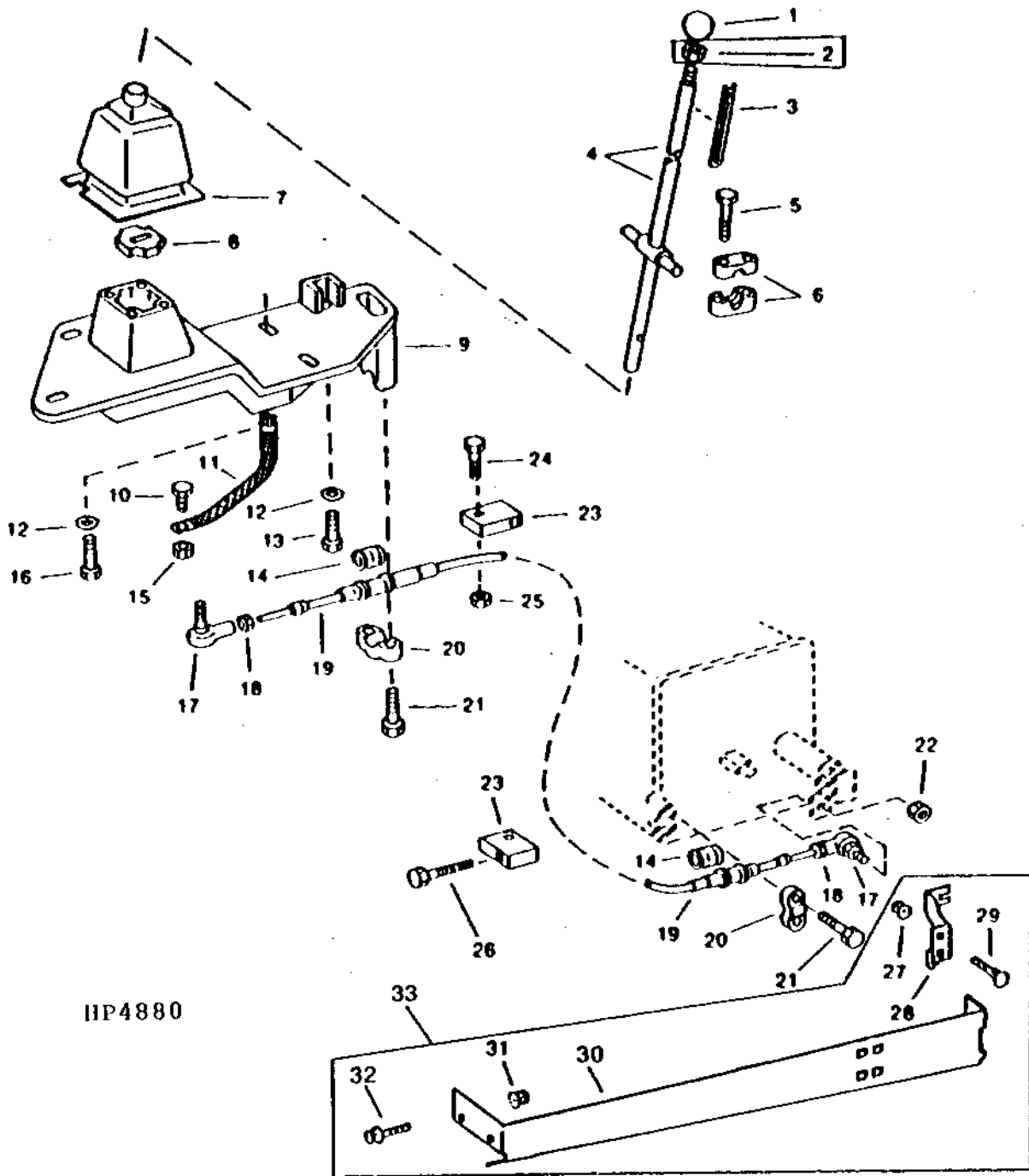
HP5722

| KEY | PART NO. | PART NAME | QTY | SERIAL NO. | REMARKS |
|-----|----------|--------------|-----|------------|---|
| 1 | AH158660 | TRANSMISSION | 1 | | (SUB FOR AH145614) (FOR RING AND PINION FINAL DRIVE ONLY) |
| | AH158661 | TRANSMISSION | 1 | | (SUB FOR AH145613) (FOR PLANETARY FINAL DRIVE ONLY) |
| | AH158659 | TRANSMISSION | 1 | | (SUB FOR AH145612) (FRANCE) |
| | AH158662 | TRANSMISSION | 1 | | (SUB FOR AH145615) (AUSTRALIA) |

4C13

POWER TRAIN

GEARSHIFT LEVER AND LINKAGE
HP4880 -UN-01JAN94



HP4880

4C14

POWER TRAIN

GEARSHIFT LEVER AND LINKAGE - CONTINUED

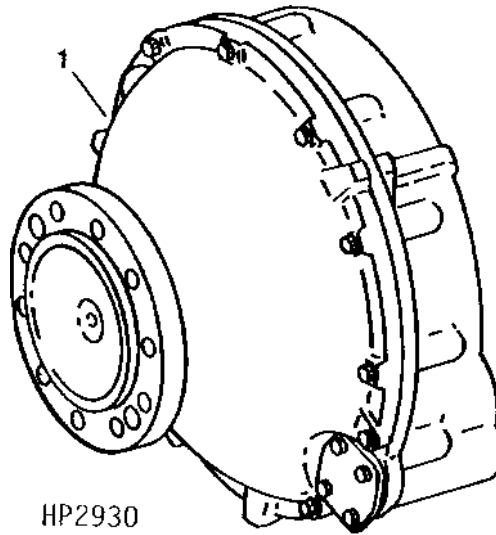
| KEY | PART NO. | PART NAME | QTY | SERIAL NO. | REMARKS |
|-----|----------|--------------|-----|------------|--|
| 1 | H125518 | KNOB | 1 | | USE TY9373 OR TY9478 OR TY9371 TO SECURE |
| 2 | 14M7433 | NUT | 1 | -635703 | M10 |
| 3 | H149068 | LABEL | 1 | | (SUB FOR H134767) "BRAKE" |
| 4 | AH138707 | ROD | 1 | | (SUB FOR AH135323) |
| 5 | 19M8318 | SCREW | 4 | | M8 X 45 |
| 6 | H131040 | BEARING | 4 | | |
| 7 | H131041 | BOOT | 1 | | |
| 8 | H133660 | SEAL | 1 | | |
| 9 | H133636 | HOUSING | 1 | | |
| 10 | 19M7788 | SCREW | 1 | | M12 X 25 |
| 11 | AH125010 | GROUND CABLE | 1 | | |
| 12 | 24H1296 | WASHER | 5 | | 11/32" X 1-3/8" X 0.134" |
| 13 | 19M8319 | SCREW | 1 | | M8 X 50 |
| 14 | H133662 | ISOLATOR | 2 | | |
| 15 | 14M7299 | FLANGE NUT | 1 | | M12 |
| 16 | 19M7867 | SCREW | 4 | | M8 X 25 |
| 17 | AH125958 | BALL JOINT | 2 | | |
| 18 | 14M7274 | NUT | 2 | -641944 | M10 |
| 19 | AH128356 | CABLE | 1 | | |
| 20 | H133047 | CLAMP | 2 | | |
| 21 | 19M8291 | SCREW | 4 | | M8 X 35 |
| 22 | 14M7296 | FLANGE NUT | 1 | | M10 |
| 23 | H112162 | CLAMP | 4 | -641716 | |
| | AH77724 | CLIP | 3 | 641717- | |
| 24 | 19M7799 | SCREW | 1 | | |
| 25 | 14M7298 | FLANGE NUT | 1 | | |
| 26 | 37M7149 | SCREW | 3 | -641716 | |
| | 37M7058 | SCREW | 3 | 641717- | |
| 27 | 14M7400 | LOCK NUT | 2 | | |
| 28 | | SUPPORT | 1 | | (SUB AH138328) |
| 29 | 03M7190 | BOLT | 2 | | M10 X 20 |
| 30 | | GUARD | 1 | | (SUB AH138328) |
| 31 | 14M7401 | LOCK NUT | 1 | | M12 |
| 32 | 19M7788 | SCREW | 1 | -646459 | M12 X 25 |
| | 19M7789 | SCREW | 1 | 646460- | M12 X 30 |
| 33 | AH138328 | KIT | 1 | 640301- | CABLE GUARD |
| .. | TY9370 | ADHESIVE | 1 | | 6 OZ. MEDIUM STRENGTH (CANADA NUMBER TY9477) |
| .. | TY9373 | GASKET | 1 | | |
| .. | TY9478 | ADHESIVE | 1 | | |
| .. | TY9371 | ADHESIVE | 1 | | 6 ML HIGH STRENGTH |

4C15

POWER TRAIN

FINAL DRIVE (RING AND PINION)

HP2930 -UN-01JAN94



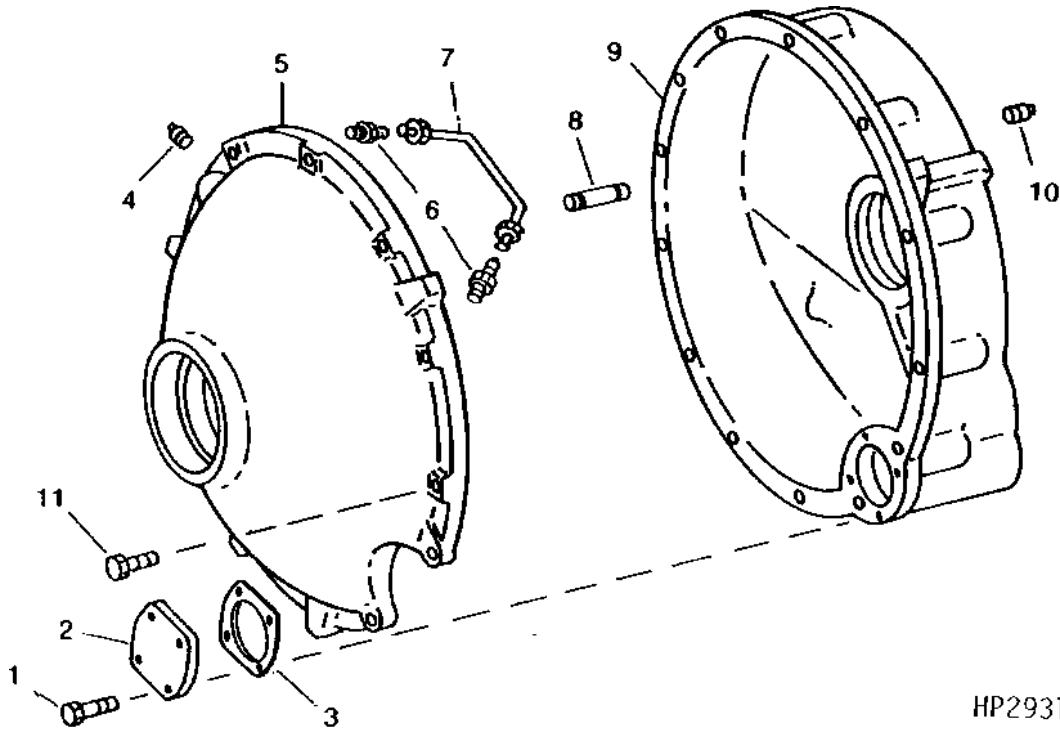
| KEY | PART NO. | PART NAME | QTY | SERIAL NO. | REMARKS |
|-----|----------|-----------|-----|------------|------------------|
| 1 | AH121922 | GEAR | 1 | | L.H. |
| | AH121923 | GEAR | 1 | | R.H. |
| | AH137754 | GEAR | 1 | 645301- | R.H. (RICE ONLY) |
| | AH137755 | GEAR | 1 | 645301- | L.H. (RICE ONLY) |

4C16

POWER TRAIN

FINAL DRIVE HOUSING AND BEARING CAP (RING AND PINION)

HP2931 -UN-01JAN94



HP2931

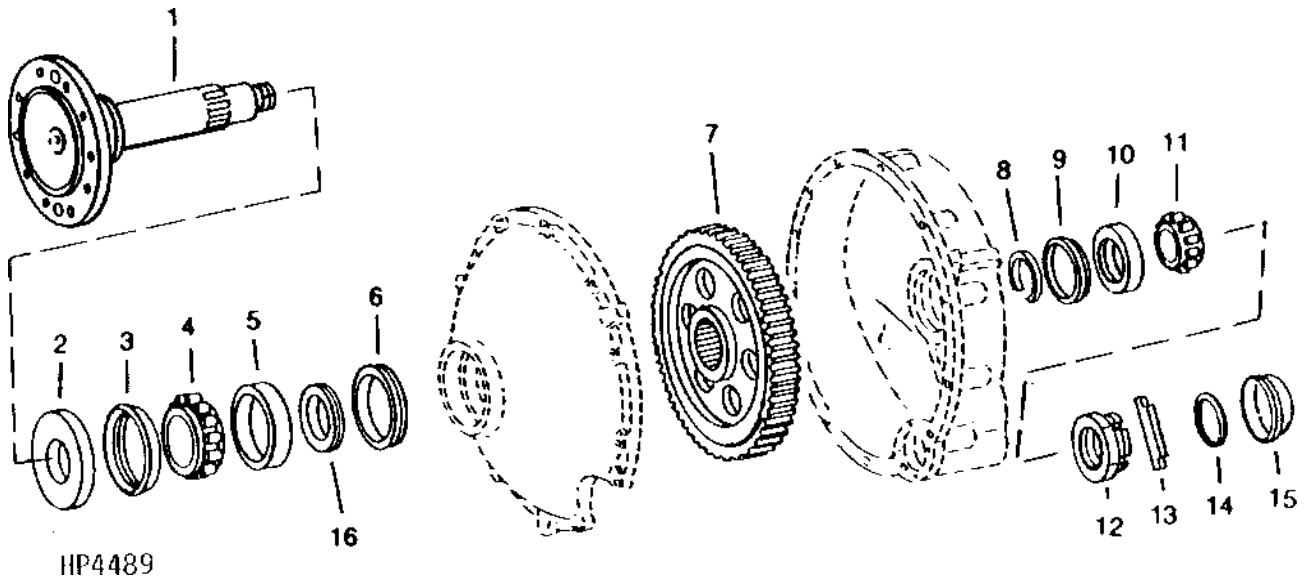
| KEY | PART NO. | PART NAME | QTY | SERIAL NO. | REMARKS |
|-----|----------|---------------------|-----|-----------------------------------|---|
| 1 | 19M7835 | SCREW | 4 | M10 X 35 | |
| 2 | H133089 | CAP | 1 | | |
| 3 | H133096 | SHIM | AR | 0.50 MM (0.020") (STEEL) | |
| | H133097 | SHIM | AR | 0.25 MM (0.010") (STEEL) | |
| | H133098 | SHIM | AR | 0.13 MM (0.005") (PLASTIC) (BLUE) | |
| 4 | JD7760 | LUBRICATION FITTING | 1 | | |
| 5 | H133092 | HOUSING | 1 | | (OUTER) |
| 6 | R35352 | FITTING | 2 | | |
| 7 | AH120736 | OIL LINE | 1 | | |
| 8 | R54380 | DOWEL PIN | 2 | | |
| 9 | N276474 | HOUSING | 1 | | (SUB FOR H133090 OR H148286) (USE WITH 15H584) R.H. (INNER) |
| | N276475 | HOUSING | 1 | | (SUB FOR H133091 OR H148287) (USE WITH 15H584) L.H. (INNER) |
| | H143894 | HOUSING | 1 | 645301- | L.H. (INNER) RICE ONLY |
| | H143893 | HOUSING | 1 | 645301- | R.H. (INNER) RICE ONLY |
| 10 | P46369 | FITTING | 1 | | (SUB FOR H154722) IN FILL HOLE |
| | 15H584 | PIPE PLUG | 3 | | 12.700 MM (1/2") (SUB FOR 15H237) |
| 11 | 19M7824 | SCREW | 12 | M16 X 60 | |

NOTE: QUANTITIES SHOWN ARE FOR ONE UNIT. TWO UNITS USED PER MACHINE.

4C17

FINAL DRIVE AXLE, GEAR AND BEARINGS (RING AND PINION)

HP4489 -UN-01JAN94



| KEY | PART NO. | PART NAME | QTY | SERIAL NO. | REMARKS |
|-----|----------|--------------|-----|------------|-------------------|
| 1 | H133094 | SPINDLE | 1 | | |
| 2 | AH112402 | SEAL | 1 | | |
| 3 | R52015 | SEAL | 1 | | |
| 4 | JD9092 | BEARING CONE | 1 | | |
| 5 | JD9147 | BEARING CUP | 1 | | |
| 6 | AH125233 | SEAL | 1 | | |
| 7 | H137672 | GEAR | 1 | -24JA99 | 104 TEETH |
| | H167723 | GEAR | 1 | 25JA99- | 95 TEETH |
| 8 | H118882 | SNAP RING | 1 | | |
| 9 | H129557 | SPACER | 1 | | |
| 10 | JD7298 | BEARING CUP | 1 | | |
| 11 | JD10266 | BEARING CONE | 1 | | |
| 12 | H129854 | NUT | 1 | | |
| 13 | H125330 | SHAFT KEY | 1 | | |
| 14 | H22784 | SNAP RING | 1 | | |
| 15 | H154720 | PLUG | 1 | | (SUB FOR H125335) |
| 16 | R99244 | V-RING SEAL | 1 | | |

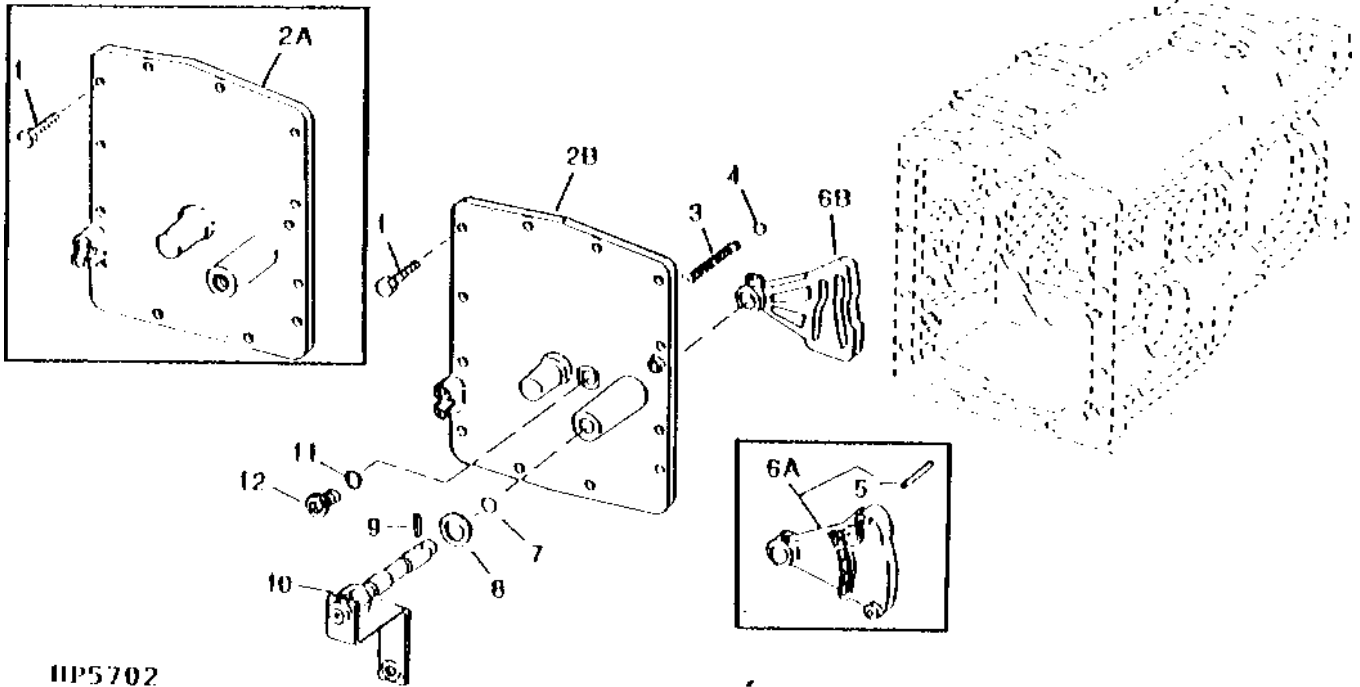
NOTE: QUANTITIES SHOWN ARE FOR ONE UNIT. TWO UNITS USED PER MACHINE.

4C18

POWER TRAIN

TRANSMISSION AND DIFFERENTIAL HOUSING COVER, AND SHIFTER CAM

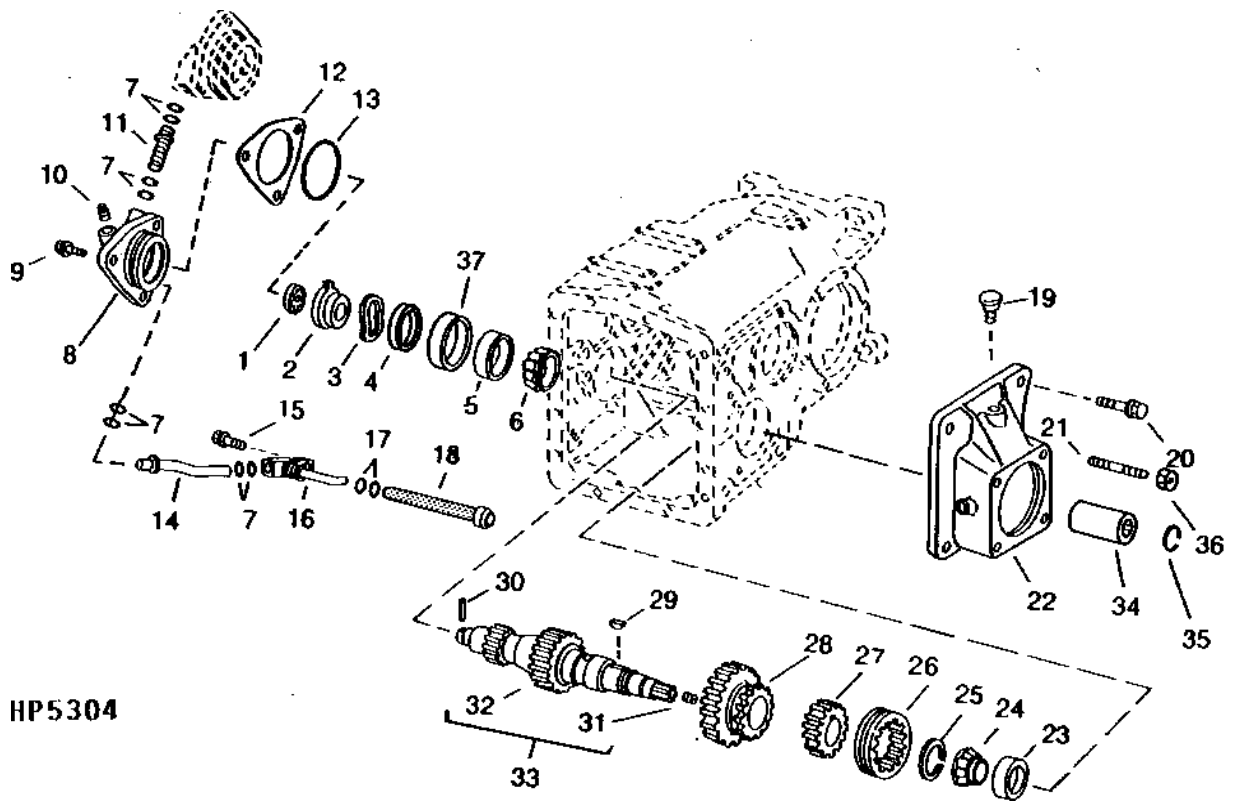
HP5702 -UN-01JAN94



| KEY | PART NO. | PART NAME | QTY | SERIAL NO. | REMARKS |
|-----|----------|------------|-----|------------|--|
| 1 | 19M7786 | SCREW | 12 | | M10 X 30 |
| 2A | H137334 | COVER | 1 | -656340 | (SUB N199920, R26375 AND R33138) |
| 2B | N199920 | COVER | 1 | | |
| 3 | T27888 | SPRING | 1 | | |
| 4 | R1818R | BALL | 1 | | 19.050 MM (3/4") |
| 5 | 34M7038 | SPRING PIN | 2 | -640300 | 6 X 20 MM, WITH H137333 CAM ONLY |
| | 25M3827 | GROOVE PIN | 2 | 29SEP7- | 3 X 8 MM |
| 6A | H137333 | CAM | 1 | -640300 | (SUB H136145) |
| 6B | H136145 | CAM | 1 | 656146- | (SUB N274892) |
| 7 | R71144 | O-RING | 1 | | 20.295 X 2.616 MM (0.799" X 0.103") |
| 8 | H75700 | WASHER | 1 | | 25.806 X 44.298 X 3.404 MM (1-1/64" X 1.744" X 0.134") |
| 9 | 34M7053 | SPRING PIN | 1 | | 10 X 40 MM |
| 10 | AH128267 | ARM | 1 | | |
| 11 | R26375 | O-RING | 1 | | 16.358 X 2.210 MM (0.644" X 0.087") |
| 12 | R33138 | FITTING | 1 | | |

4C19

TRANSMISSION INPUT SHAFT, GEARS, LUBE PUMP AND BEARINGS
HP5304 -UN-01JAN94



HP5304

4C20

POWER TRAIN

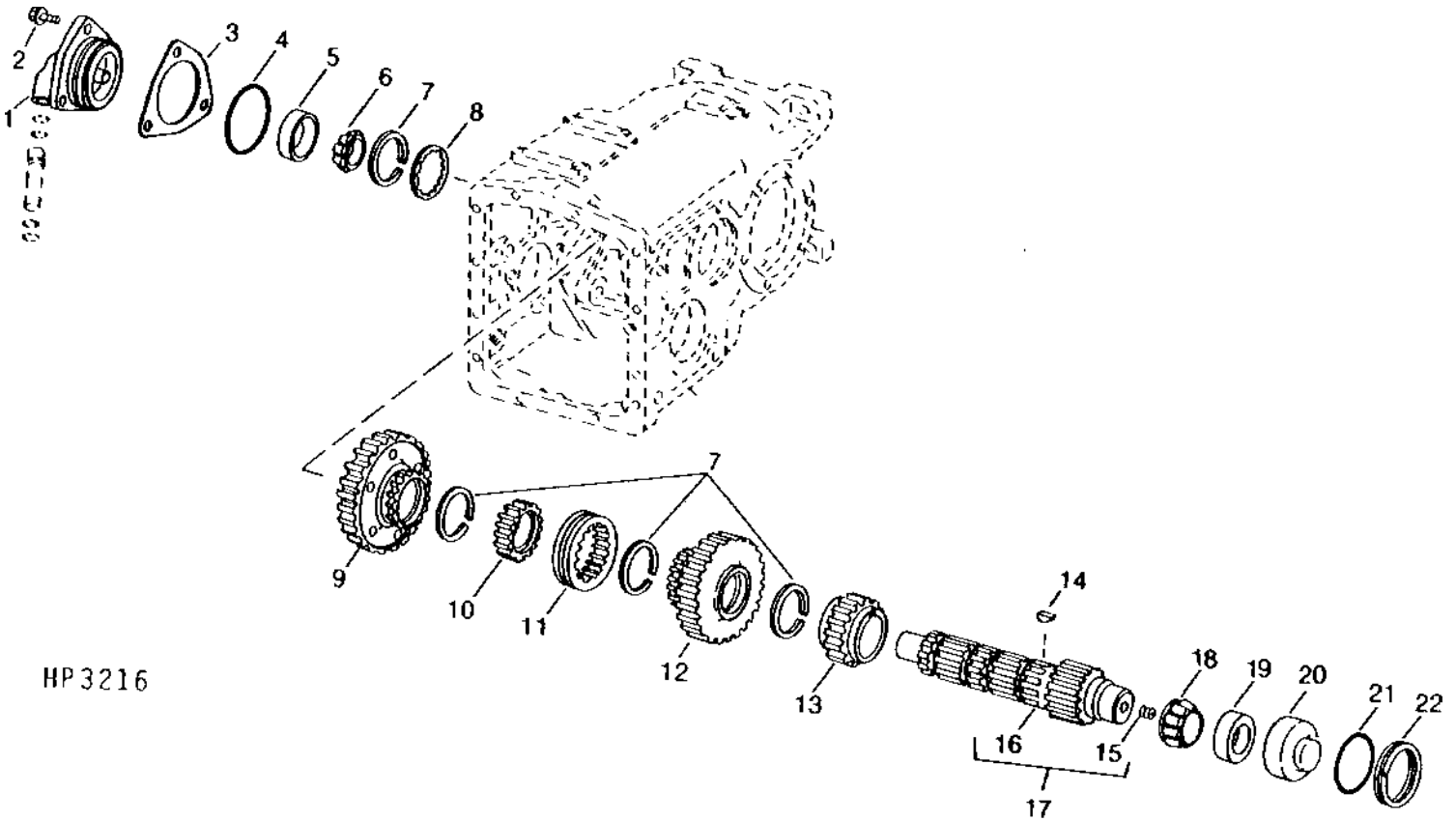
TRANSMISSION INPUT SHAFT, GEARS, LUBE PUMP AND BEARINGS - CONTINUED

| KEY | PART NO. | PART NAME | QTY | SERIAL NO. | REMARKS |
|-----|----------|------------------|-----|------------|---|
| 1 | AH128528 | ROTOR | 1 | | |
| 2 | H82234 | PLATE | 1 | | LUBE PUMP PORT |
| 3 | H82232 | WASHER | 1 | | 54.610 X 63.119 X 0.889 MM (2.150" X 2.485" X 0.035") (WAVE TYPE) |
| 4 | H82233 | BUSHING | 1 | | |
| 5 | JD8257 | BEARING CUP | 1 | | |
| 6 | AR94761 | BEARING CONE | 1 | | (SUB FOR JD8947) |
| 7 | R394R | O-RING | 8 | | 12.370 X 2.616 MM (0.487" X 0.103") |
| 8 | H142030 | HOUSING | 1 | 636184- | |
| 9 | 19M7786 | SCREW | 3 | | M10 X 30 |
| 10 | 15H253 | PIPE PLUG | 1 | -673845 | 1/8", 1/8" |
| | 15H638 | PIPE PLUG | 1 | 673846- | 1/8" |
| 11 | H131296 | OIL TUBE | 1 | | |
| 12 | H132892 | SHIM | AR | | 0.076 (.003) THICK |
| | H132893 | SHIM | AR | | 0.127 (.005") THICK |
| | H132894 | SHIM | AR | | 0.508 (.02") THICK |
| 13 | U10776 | O-RING | 1 | -636167 | 82.144 X 3.531 MM (3-15/64" X 0.139") |
| | T43514 | GASKET | 1 | 636168- | PLASTIC GASKET |
| 14 | H131297 | OIL TUBE | 1 | | HYDRO MOTOR MOUNTING BRACKET |
| 15 | 19M8162 | CAP SCREW | 1 | | M10 X 40 |
| 16 | AH125228 | FITTING | 1 | | |
| 17 | R495R | O-RING | 2 | | 21.819 X 3.531 MM (55/64" X 0.139") |
| | R495R | O-RING | 2 | -640300 | 21.819 X 3.531 MM (55/64" X 0.139") (FRANCE) |
| | R394R | O-RING | 2 | 640301- | 12.370 X 2.616 MM (0.487" X 0.103") (FRANCE) |
| 18 | AH121580 | SCREEN | 1 | | |
| 19 | AH20868 | BREATHER | 1 | | |
| 20 | 19M7844 | SCREW | 4 | | M16 X 45 |
| 21 | 42M7029 | STUD | 4 | | |
| 22 | H133165 | BRACKET | 1 | | |
| 23 | JD8237 | BEARING CUP | 1 | | |
| 24 | JD10182 | BEARING CONE | 1 | | |
| 25 | P43969 | SNAP RING | 1 | | |
| 26 | H129564 | SHIFT COLLAR | 1 | | |
| 27 | H129565 | SHIFT COLLAR | 1 | | THIRD GEAR |
| 28 | H129569 | GEAR | 1 | -635786 | (SUB H135943) 36 TOOTH, FOR 3RD GEAR |
| | H135943 | GEAR | 1 | | |
| | H141963 | GEAR | 1 | | (32 TOOTH) (FRANCE) |
| 29 | 26M4228 | SHAFT KEY | 1 | | WOODRUFF |
| 30 | H75358 | DOWEL PIN | 1 | | |
| 31 | H110539 | ORIFICE | 1 | | |
| 32 | | SHAFT | 1 | | |
| 33 | AH131861 | PINION SHAFT | 1 | | |
| | AH137350 | PINION SHAFT | 1 | | (AUSTRALIA) |
| 34 | H129525 | SPLINED COUPLING | 1 | | |
| 35 | M41029 | SNAP RING | 2 | | |
| 36 | 14M7299 | FLANGE NUT | 4 | | M12 |
| 37 | H142031 | SLEEVE | 1 | 636184- | ALSO USED FOR SUB ON AH131699 |
| .. | TY9371 | ADHESIVE | 1 | | HIGH STRENGTH 6 ML (0.2 OZ) TUBE |
| .. | TY6304 | SEALANT | 1 | | |
| .. | AH131699 | OIL PUMP | 1 | -636167 | (SUB AH128528, H82234, H82232, JD8257, H142031, H142030 AND TY6304) |

4C21

TRANSMISSION PINION SHAFT, GEARS AND BEARINGS

HP3216 -UN-01JAN94



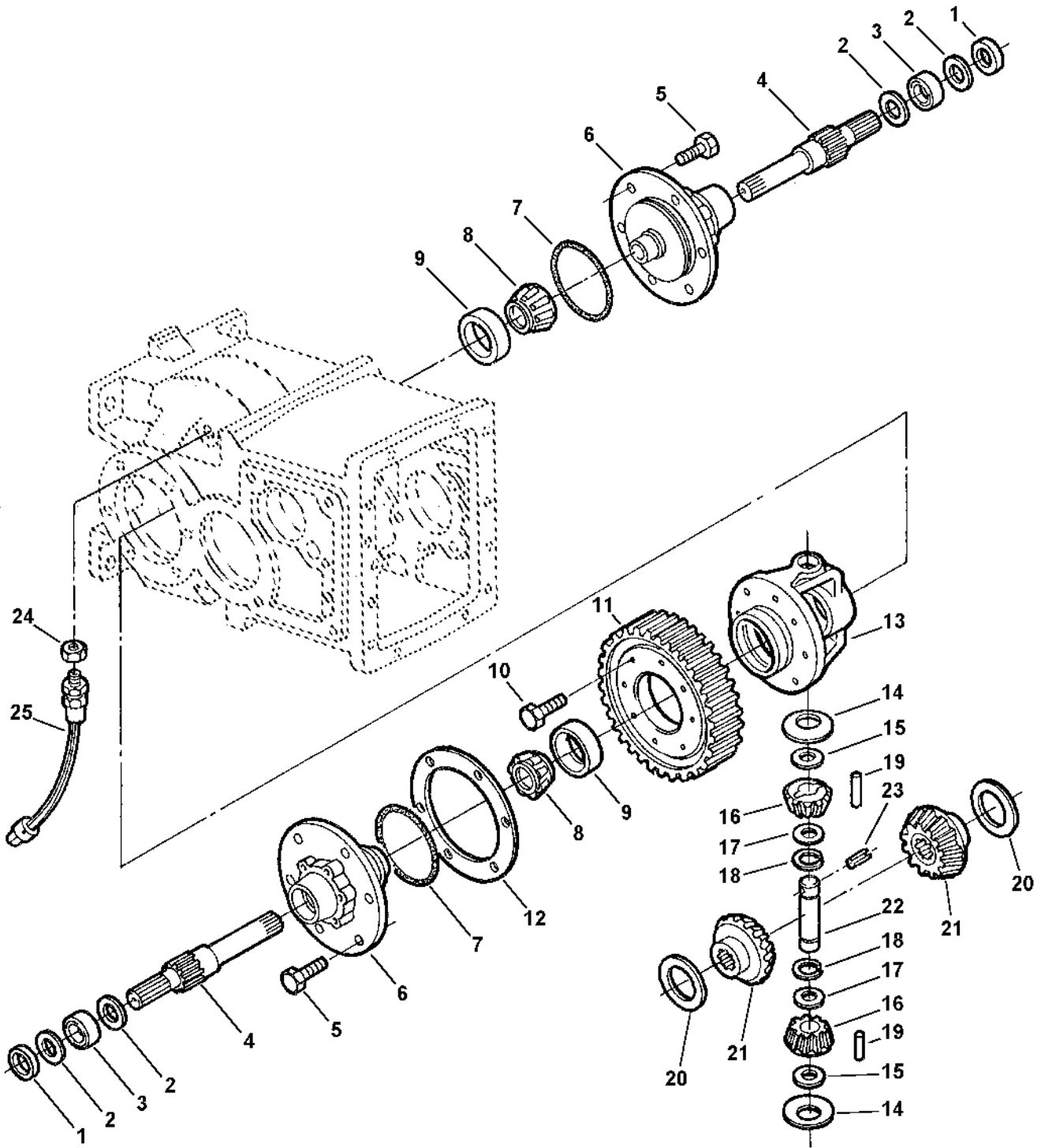
HP3216

TRANSMISSION PINION SHAFT, GEARS AND BEARINGS - CONTINUED

| KEY | PART NO. | PART NAME | QTY | SERIAL NO. | REMARKS |
|-----|----------|-----------------------|-----|------------|--|
| 1 | H145173 | PLANET PINION CARRIER | 1 | -11JA98 | (SUB FOR H132777, H144386 OR H145173) |
| | CE18201 | PLANET PINION CARRIER | 1 | 12JA98- | (SUB FOR H145335) |
| 2 | 19M7786 | SCREW | 3 | | M10 X 30 |
| 3 | H132892 | SHIM | AR | | 0.076MM (.003") THICK |
| | H132893 | SHIM | AR | | 0.127 (.005") THICK |
| | H132894 | SHIM | AR | | 0.508 (.02") THICK |
| 4 | U10776 | O-RING | 1 | | 82.144 X 3.531 MM (3-15/64" X 0.139") |
| 5 | JD8267 | BEARING CUP | 1 | | |
| 6 | JD8979 | BEARING | 1 | | |
| 7 | R26265 | SNAP RING | 4 | | |
| 8 | H103167 | WASHER | 1 | | |
| 9 | H135944 | GEAR | 1 | | (SUB FOR H133008) |
| 10 | H133010 | SHIFT COLLAR | 1 | | (DRIVE) |
| 11 | H129564 | SHIFT COLLAR | 1 | | |
| 12 | H135942 | GEAR | 1 | | (SUB FOR H129567) |
| | H143408 | GEAR | 1 | | (AUSTRALIA) |
| 13 | H132618 | GEAR | 1 | | (24 TOOTH), FOR 3RD GEAR |
| | H140227 | GEAR | 1 | | (28 TOOTH), FOR 3RD GEAR (FRANCE) |
| 14 | 26M4228 | SHAFT KEY | 1 | | 8 X 28 MM |
| 15 | H110539 | ORIFICE | 1 | | |
| 16 | | SHAFT | 1 | | |
| 17 | AH131862 | PINION SHAFT | 1 | | (12 TOOTH) |
| | AH131863 | PINION SHAFT | 1 | | (18 TOOTH) (PLANETARY FINAL DRIVE) |
| 18 | JD8182 | BEARING CONE | 1 | | |
| 19 | JD8223 | BEARING CUP | 1 | | |
| 20 | H144385 | BEARING CAP | 1 | | (SUB FOR H129144) |
| 21 | U10746 | O-RING | 1 | | 107.544 X 3.531 MM (4-15/64" X 0.139") |
| 22 | H129558 | SNAP RING | 1 | | |

4C23

DIFFERENTIAL GEARS AND SHAFTS
HP7501 -UN-30MAR98



HP7501

DIFFERENTIAL GEARS AND SHAFTS - CONTINUED

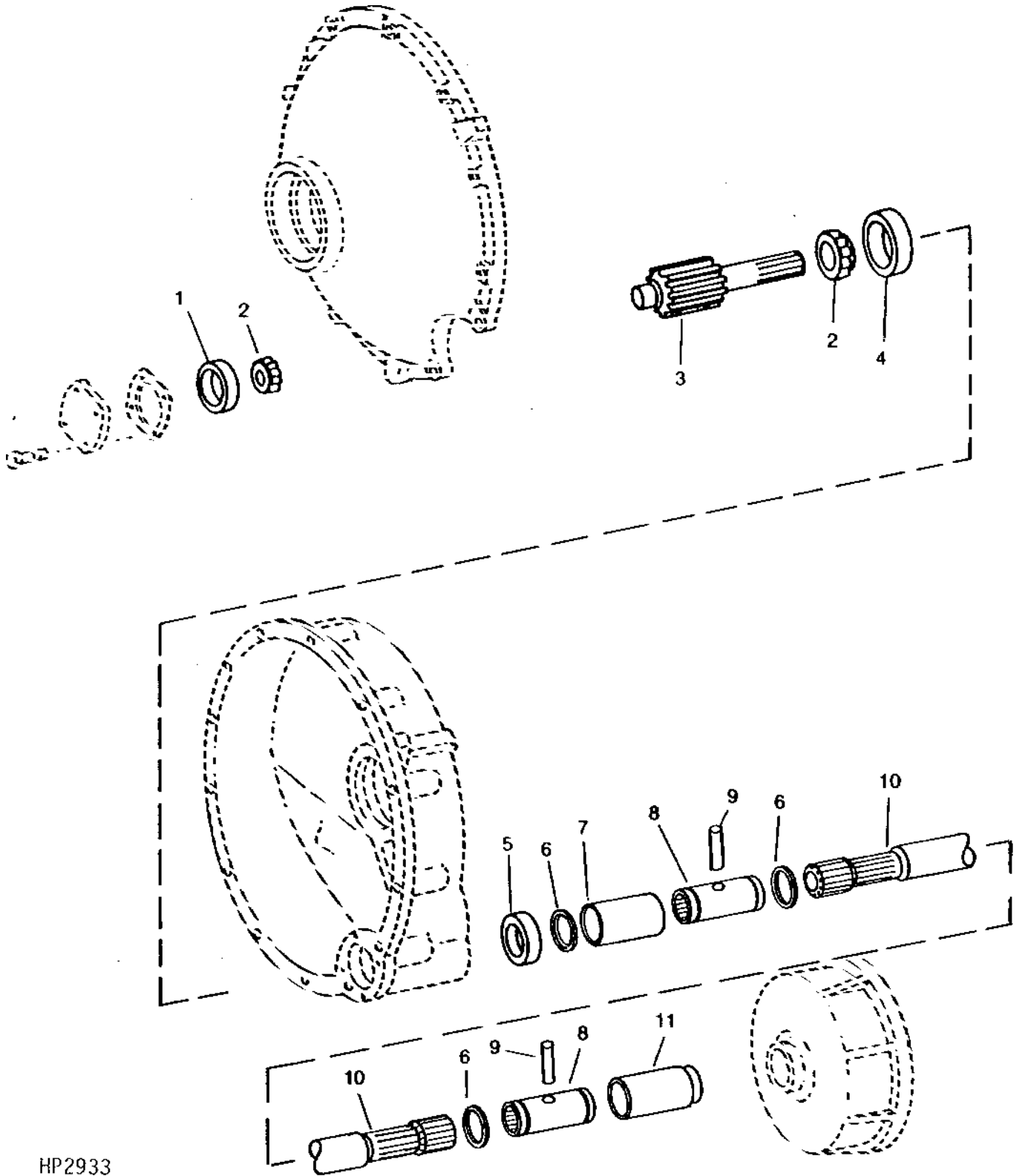
| KEY | PART NO. | PART NAME | QTY | SERIAL NO. | REMARKS |
|-----|----------|----------------|-----|------------|---|
| 1 | AT40603 | SEAL | 2 | | |
| 2 | C3936E | SNAP RING | 4 | | |
| 3 | JD7502 | ROLLER BEARING | 2 | | |
| 4 | H135173 | SHAFT | 2 | -25JA99 | (RING AND PINION) HEAVY DUTY |
| | H165508 | SHAFT | 2 | 26JA99- | (RING AND PINION) HEAVY DUTY |
| | H136017 | SHAFT | 2 | | (PLANETARY FINAL DRIVE) |
| 5 | 19M7844 | SCREW | 12 | | M16 X 45 |
| 6 | H130407 | CRADLE | 2 | | |
| 7 | R27796 | O-RING | 2 | | 158.344 X 3.531 MM (6-15/64" X 0.139") |
| 8 | JD8147 | BEARING CONE | 2 | | |
| 9 | JD7425 | BEARING CUP | 2 | | |
| 10 | 19M7790 | SCREW | 14 | | M12 X 35 |
| 11 | H132554 | GEAR | 1 | | (62 TOOTH) |
| | H125456 | GEAR | 1 | | (57 TOOTH) (PLANETARY FINAL DRIVE) |
| 12 | H126572 | SHIM | AR | | 0.076MM (.003") THICK |
| | H126573 | SHIM | AR | | 0.127MM (.005") THICK |
| | H126575 | SHIM | AR | | 0.508 (.02") THICK |
| 13 | N197422 | HOUSING | 1 | | (SUB FOR H133201) |
| 14 | H133202 | THRUST WASHER | 2 | | 32 X 70 X 1.650 MM (1.260" X 2.756" X 0.065") |
| 15 | R70112 | THRUST WASHER | 2 | | 31.480 X 38 X 2.500 MM (1.239" X 1.496" X 0.098") |
| 16 | Z12964 | PINION | 1 | 671162- | (SUB FOR R80880) |
| 17 | R70113 | THRUST WASHER | 2 | | |
| 18 | R70114 | SNAP RING | 2 | | |
| 19 | R70115 | NEEDLE ROLLER | 52 | | |
| 20 | H164794 | WASHER | 2 | | |
| 21 | H92308 | GEAR | 2 | | |
| 22 | H146646 | PIN | 1 | | (SUB FOR H113134) |
| 23 | 34M7073 | SPRING PIN | 1 | | 10 X 65 MM (0.394" X 2.559") |
| 24 | H104418 | NUT | 1 | | 19.050 MM (3/4") |
| 25 | AH116104 | SENSOR | 1 | | GROUND SPEED |

4D1

FINAL DRIVE PINION, DRIVE SHAFTS AND BEARINGS

(RING AND PINION)

HP2933 -UN-01JAN94



HP2933

4D2

**FINAL DRIVE PINION, DRIVE SHAFTS AND BEARINGS - CONTINUED
(RING AND PINION)**

| KEY | PART NO. | PART NAME | QTY | SERIAL NO. | REMARKS |
|-----|----------|------------------|-----|------------|------------------------------|
| 1 | JD8222 | BEARING CUP | 1 | | |
| 2 | JD10401 | BEARING CONE | 2 | | |
| 3 | H157014 | PINION | 1 | | (SUB FOR H133088 OR H141558) |
| 4 | T79098 | BEARING CUP | 1 | | |
| 5 | AH128391 | SEAL | 1 | | |
| 6 | H133229 | SNAP RING | 3 | | |
| 7 | H134444 | SLEEVE | 1 | | |
| 8 | H133230 | SPLINED COUPLING | 2 | | |
| 9 | H131754 | PIN | 2 | | 10 X 52 MM (0.394" X 2.047") |
| 10 | H133875 | DRIVE SHAFT | 1 | | (SUB H165509) |
| | H165509 | SHAFT | 1 | | |
| 11 | H134531 | SLEEVE | 1 | -31JA00 | |
| | H166201 | SLEEVE | 1 | 01FE00- | |

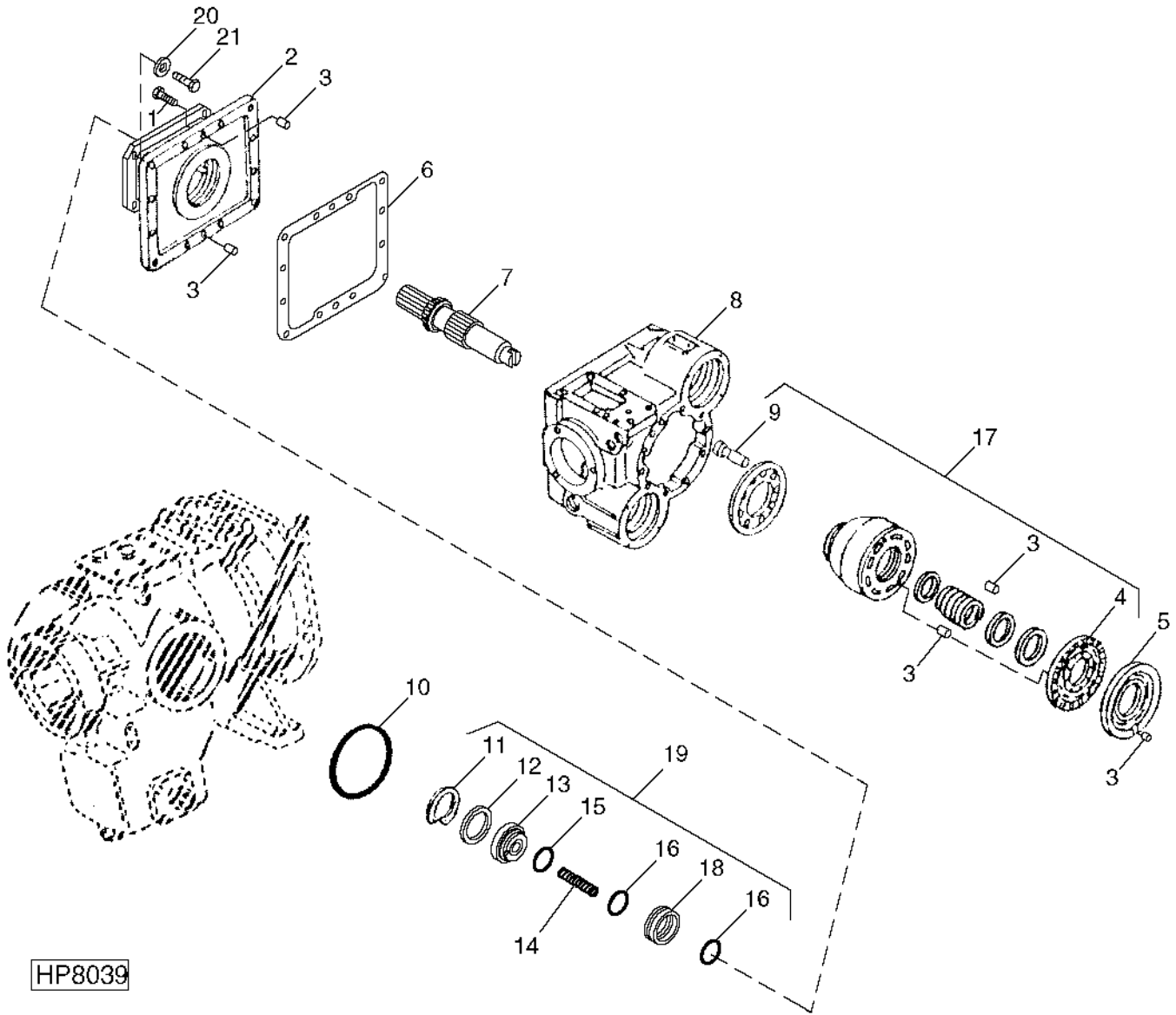
NOTE: QUANTITIES SHOWN ARE FOR ONE UNIT. TWO UNITS USED PER MACHINE.

4D3

HYDROSTATIC DRIVE PUMP, FRONT COVER AND SHAFT

(RING AND PINION)

HP8039 -UN-26MAR99



HP8039

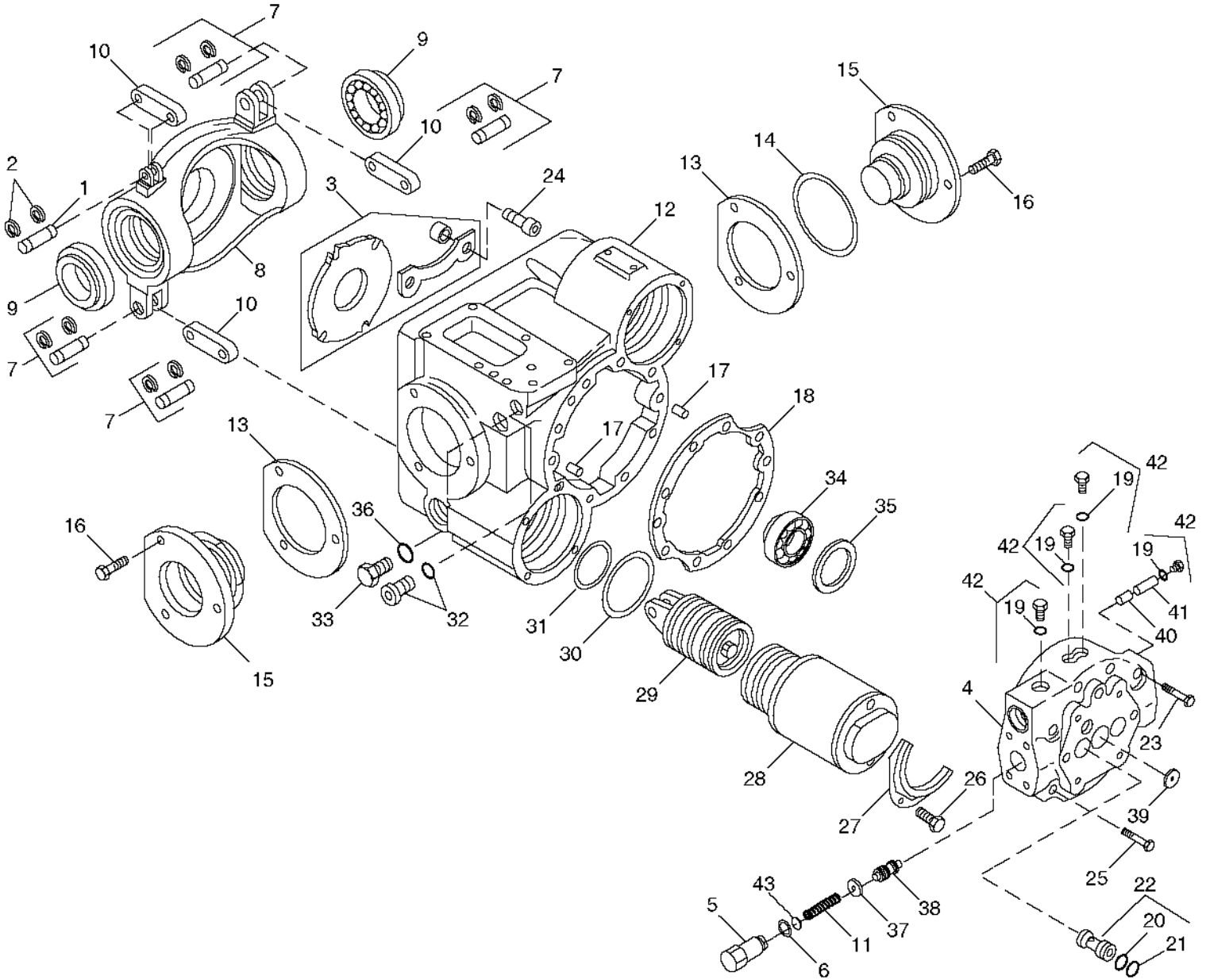
**HYDROSTATIC DRIVE PUMP, FRONT COVER AND SHAFT - CONTINUED
(RING AND PINION)**

| KEY | PART NO. | PART NAME | QTY | SERIAL NO. | REMARKS |
|-----|----------|-----------|-----|--------------------------------------|---------|
| 1 | 19H1731 | CAP SCREW | 12 | (A) 3/8" X 1" | |
| 2 | | FLANGE | 1 | | |
| 3 | H63271 | PIN | 5 | | |
| 4 | H135500 | PLATE | 1 | (A) | |
| 5 | H135499 | PLATE | 1 | (A) | |
| 6 | N126585 | GASKET | 1 | (A) | |
| 7 | AH133660 | SHAFT | 1 | (A) | |
| 8 | | HOUSING | 1 | | |
| 9 | AH131169 | PISTON | 1 | (A) (INCLUDES 9 PISTONS) | |
| 10 | R63308 | O-RING | 1 | 120.015 X 5.334 MM | |
| 11 | N126612 | SNAP RING | 1 | | |
| 12 | R112857 | O-RING | 1 | 64.770 X 2.616 MM | |
| 13 | | RETAINER | 1 | | |
| 14 | N191174 | SPRING | 6 | | |
| 15 | U15415 | O-RING | 1 | 34.646 X 1.778 MM | |
| 16 | N196034 | O-RING | 2 | 42.520 X 2.616 MM | |
| 17 | AH131171 | KIT | 1 | (A) | |
| 18 | | SEAL KIT | 1 | | |
| 19 | AN193085 | SEAL KIT | 1 | | |
| 20 | T29342 | WASHER | 4 | | |
| 21 | 19M7493 | CAP SCREW | 4 | M12 X 40 | |
| .. | AH160785 | PUMP | 1 | (SUB FOR AH131305) (USE WITH E65288) | |
| .. | E65288 | O-RING | 1 | REMANUFACTURED | |

4D5

HYDROSTATIC DRIVE PUMP, HOUSING, SWASHPLATE, AND SERVO CYLINDERS (RING AND PINION FINAL DRIVE)

HP8037 -UN-12JUL99



HP8037

4D6

POWER TRAIN

HYDROSTATIC DRIVE PUMP, HOUSING, SWASHPLATE, AND SERVO CYLINDERS - CONTINUED

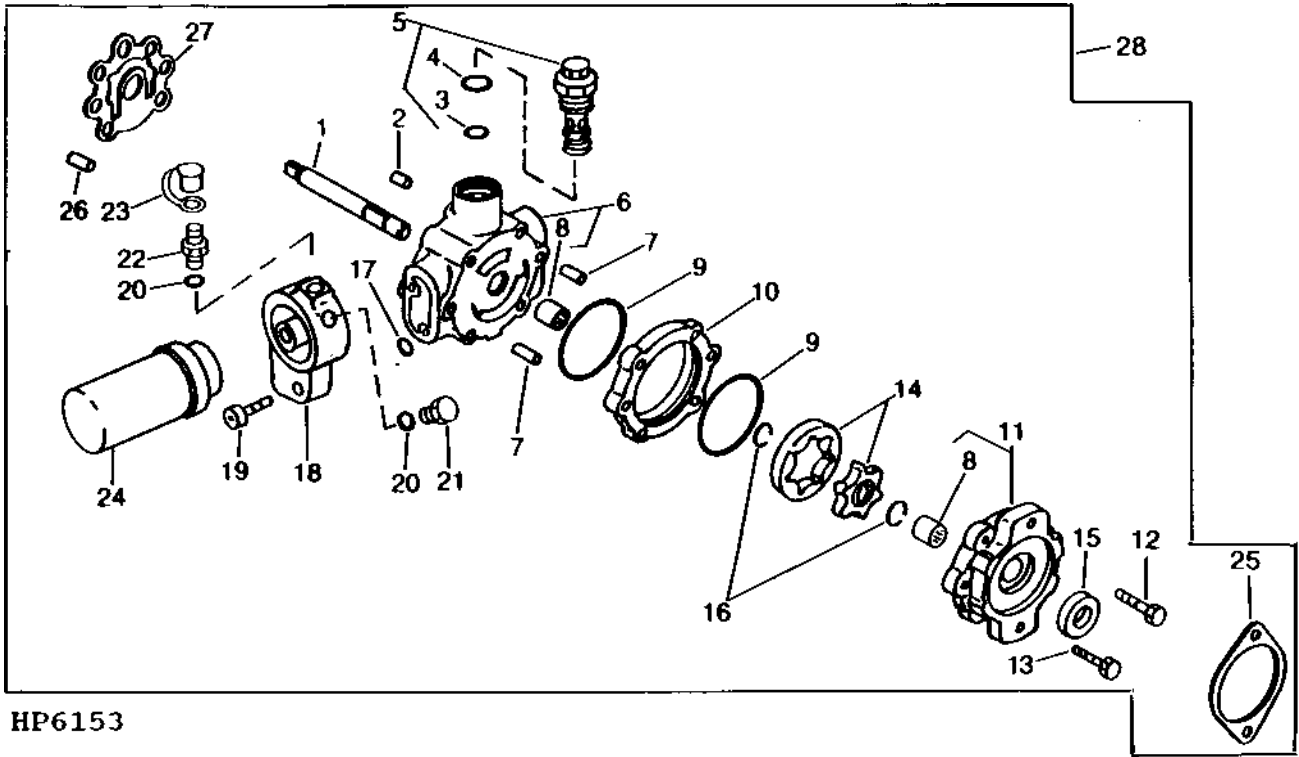
| KEY | PART NO. | PART NAME | QTY | SERIAL NO. | REMARKS |
|-----|----------|--------------------|-----|------------|-------------------------------------|
| 1 | N126603 | PIN | 1 | | 6.350 X 22.606 MM |
| 2 | M48000 | SNAP RING | 2 | | |
| 3 | AH131391 | KIT | 1 | | HOLD DOWN |
| 4 | | COVER | 1 | | |
| 5 | H135215 | HOLDER | 1 | | |
| 6 | R26906 | O-RING | 1 | | |
| 7 | AN274375 | PIN | 2 | | |
| 8 | | SWASH PLATE | 1 | | |
| 9 | JD9076 | BEARING CONE | 2 | | |
| | JD9133 | BEARING CUP | 2 | | |
| 10 | N126600 | LINK | 2 | | |
| 11 | H135211 | COMPRESSION SPRING | 1 | | |
| 12 | | HOUSING | 1 | | |
| 13 | AN122506 | SHIM | AR | | FOUR, .002", .005", .010" AND .015" |
| 14 | T14065 | O-RING | 2 | | 66.269 X 3.531 MM |
| 15 | | TRUNNION | 2 | | |
| 16 | 19H2284 | CAP SCREW | 6 | | 3/8" X 7/8" |
| 17 | H63271 | PIN | 2 | | |
| 18 | N126584 | GASKET | 1 | | (SUB FOR H135498) |
| 19 | R30903 | O-RING | 1 | | |
| 20 | 32246 | O-RING | 2 | | 13.945 X 2.616 MM |
| 21 | W23690 | BACK-UP RING | 2 | | |
| 22 | AN122502 | CHECK VALVE | 2 | | |
| 23 | 19H1944 | CAP SCREW | 6 | | 3/8" X 2-3/4" |
| 24 | 19H3053 | SCREW | 4 | | 5/16" X 1" |
| 25 | 19H1800 | CAP SCREW | 2 | | 3/8" X 1-1/2" |
| 26 | 19H3176 | SCREW | 6 | | 0.164" X 0.380" |
| 27 | N126602 | RETAINER | 2 | | |
| 28 | AN122493 | SLEEVE | 2 | | INCLUDES R53543 AND M43518 O-RINGS |
| 29 | AH131172 | PISTON | 2 | | INCLUDES KEYS 1, 2 AND 10 |
| 30 | R53543 | O-RING | 2 | | 67.945 X 2.619 MM |
| 31 | M43518 | O-RING | 2 | | 61.595 X 2.616 MM |
| 32 | AN122518 | FITTING | 1 | | INCLUDES O-RING |
| 33 | R51031 | FITTING | 1 | | |
| 34 | AN122507 | ROLLER BEARING | 1 | | |
| 35 | AN122509 | SHIM | 1 | | FIVE, .002", .005", .010" AND .015" |
| 36 | R28782 | O-RING | 2 | | 8.915 X 1.829 MM |
| 37 | H135213 | WASHER | 1 | | |
| 38 | H135214 | VALVE SPOOL | 1 | | |
| 39 | H135567 | ORIFICE | 1 | | |
| 40 | H135503 | NEEDLE ROLLER | 1 | | |
| 41 | H135504 | NEEDLE ROLLER | 1 | | |
| 42 | AT63272 | FITTING | 4 | | |
| 43 | AH129278 | KIT | 1 | | SHIM |
| .. | AH160785 | PUMP | 1 | | (USE WITH E65288) REMANUFACTURED |

4D7

HYDROSTATIC DRIVE CHARGE PUMP

(- 670000)

HP6153 -UN-01SEP95



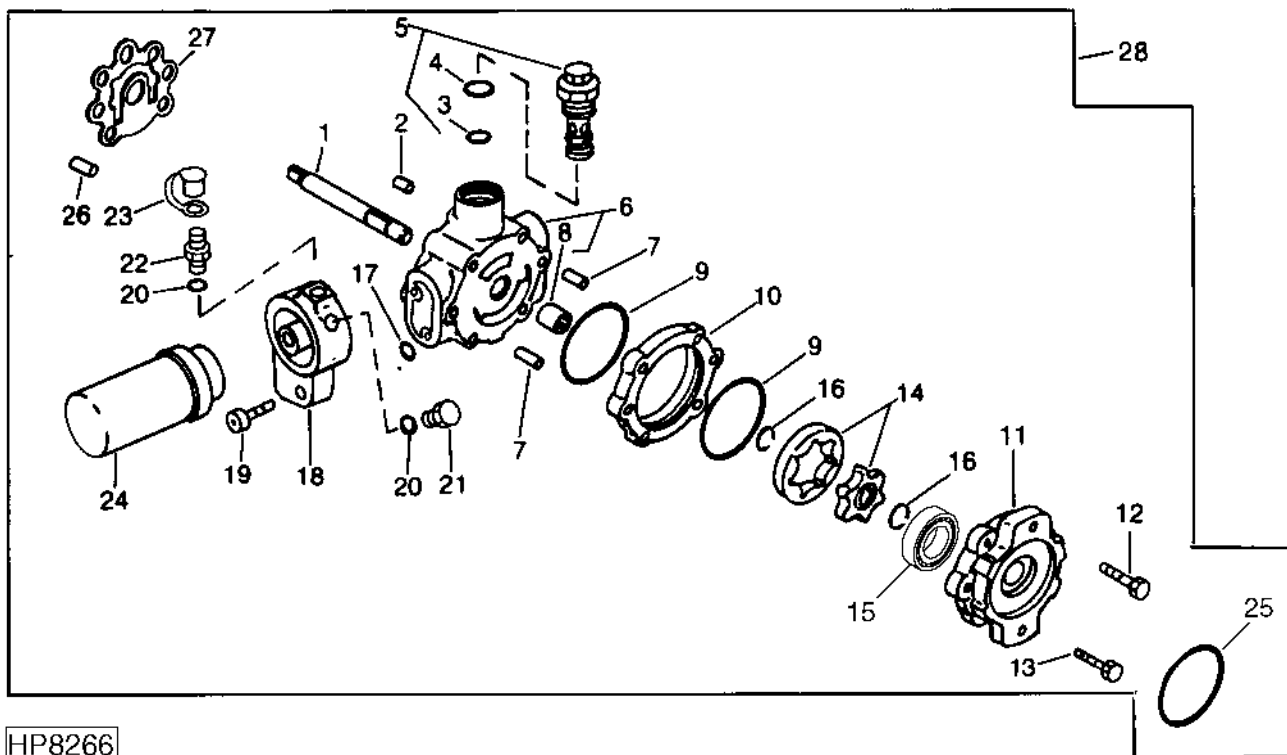
HP6153

| KEY | PART NO. | PART NAME | QTY | SERIAL NO. | REMARKS |
|-----|----------|----------------------------|-----|------------|-------------------------------------|
| 1 | H135505 | DRIVE SHAFT | 1 | | |
| 2 | N126638 | PIN | 1 | | |
| 3 | H63289 | O-RING | 1 | | 20.295 X 2.616 MM (0.799" X 0.103") |
| 4 | U17409 | O-RING | 1 | | 26.619 X 2.946 MM (1.048" X 0.116") |
| 5 | AN122498 | RELIEF VALVE | 1 | | |
| 6 | | HOUSING | 1 | | |
| 7 | N126601 | BUSHING | 1 | | |
| 8 | | NEEDLE BEARING | 1 | | |
| 9 | H135570 | O-RING | 1 | | 78.994 X 1.778 MM (3.110" X 0.070") |
| 10 | | SPACER | 1 | | |
| 11 | | COVER | 1 | | |
| 12 | 19H1875 | CAP SCREW | 2 | | 5/16" X 1-3/4" |
| 13 | | SCREW | 4 | | |
| 14 | | OIL PUMP | 1 | | |
| 15 | AH131170 | SEAL | 1 | | |
| 16 | | SNAP RING | 2 | | |
| 17 | R34404 | O-RING | 2 | | 17.120 X 2.616 MM (0.674" X 0.103") |
| 18 | H151087 | FILTER HEAD | 1 | | |
| 19 | 19H3093 | SCREW | 2 | | 9.525 X 44.450 MM (3/8" X 1-3/4") |
| 20 | R26448 | O-RING | 2 | | 11.887 X 1.981 MM (0.468" X 5/64") |
| 21 | R27218 | FITTING PLUG | 1 | | |
| 22 | AH125760 | HYD. QUICK-CONNECT COUPLER | 1 | | |
| 23 | R77175 | COVER | 1 | | |
| 24 | AH128449 | HYDRAULIC FILTER | 1 | | |
| 25 | H131121 | GASKET | 1 | | |
| 26 | H63271 | PIN | 2 | | |
| 27 | H135497 | GASKET | 1 | | |
| 28 | AH131167 | HYDRAULIC PUMP | 1 | | (SUB AH160745 AND E65288) |
| | AH160745 | HYDRAULIC PUMP | 1 | | |
| | E65288 | O-RING | 1 | | |

NOTE: PARTS ON THIS PAGE ARE ALSO FURNISHED AS PART OF AH160785 HYDROSTATIC DRIVE UNIT.
(RING AND PINION FINAL DRIVE)

HYDROSTATIC DRIVE CHARGE PUMP

(670000 -)
 HP8266 -UN-19FEB99



HP8266

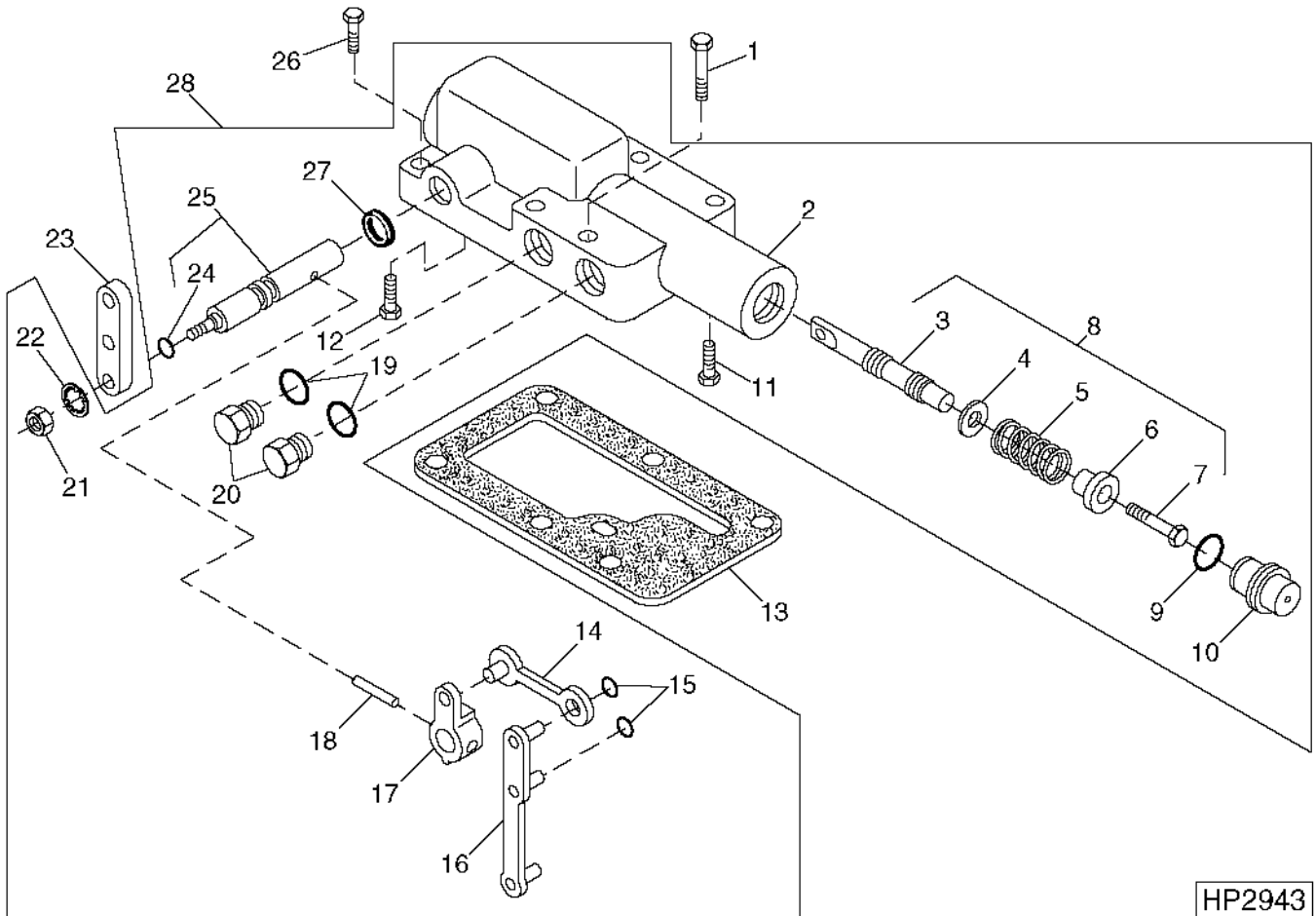
| KEY | PART NO. | PART NAME | QTY | SERIAL NO. | REMARKS |
|-----|----------|----------------------------|-----|------------|-------------------------------------|
| 1 | | DRIVE SHAFT | 1 | | |
| 2 | N126638 | PIN | 1 | | |
| 3 | H63289 | O-RING | 1 | | 20.295 X 2.616 MM (0.799" X 0.103") |
| 4 | U17409 | O-RING | 1 | | 26.619 X 2.946 MM (1.048" X 0.116") |
| 5 | AN122498 | RELIEF VALVE | 1 | | |
| 6 | | HOUSING | 1 | | |
| 7 | N126601 | BUSHING | 1 | | |
| 8 | | NEEDLE BEARING | 1 | | |
| 9 | H135570 | O-RING | 1 | | 78.994 X 1.778 MM (3.110" X 0.070") |
| 10 | | SPACER | 1 | | |
| 11 | | COVER | 1 | | |
| 12 | 19H1875 | CAP SCREW | 2 | | 5/16" X 1-3/4" |
| 13 | | SCREW | 4 | | |
| 14 | | OIL PUMP | 1 | | |
| 15 | | BALL BEARING | 1 | | |
| 16 | | SNAP RING | 2 | | |
| 17 | R34404 | O-RING | 2 | | 17.120 X 2.616 MM (0.674" X 0.103") |
| 18 | H151087 | FILTER HEAD | 1 | | |
| 19 | 19H3093 | SCREW | 2 | | 9.525 X 44.450 MM (3/8" X 1-3/4") |
| 20 | R26448 | O-RING | 2 | | 11.887 X 1.981 MM (0.468" X 5/64") |
| 21 | R27218 | FITTING PLUG | 1 | | |
| 22 | AH125760 | HYD. QUICK-CONNECT COUPLER | 1 | | |
| 23 | R77175 | COVER | 1 | | |
| 24 | AH128449 | HYDRAULIC FILTER | 1 | | |
| 25 | E65288 | O-RING | 1 | | |
| 26 | H63271 | PIN | 2 | | |
| 27 | H135497 | GASKET | 1 | | |
| 28 | AH160745 | HYDRAULIC PUMP | 1 | | |

NOTE: PARTS ON THIS PAGE ARE ALSO FURNISHED AS PART OF AH160785 HYDROSTATIC DRIVE UNIT.

4D9

HYDROSTATIC DRIVE DISPLACEMENT CONTROL VALVE

HP2943 -UN-13AUG99



4D10

HYDROSTATIC DRIVE DISPLACEMENT CONTROL VALVE - CONTINUED

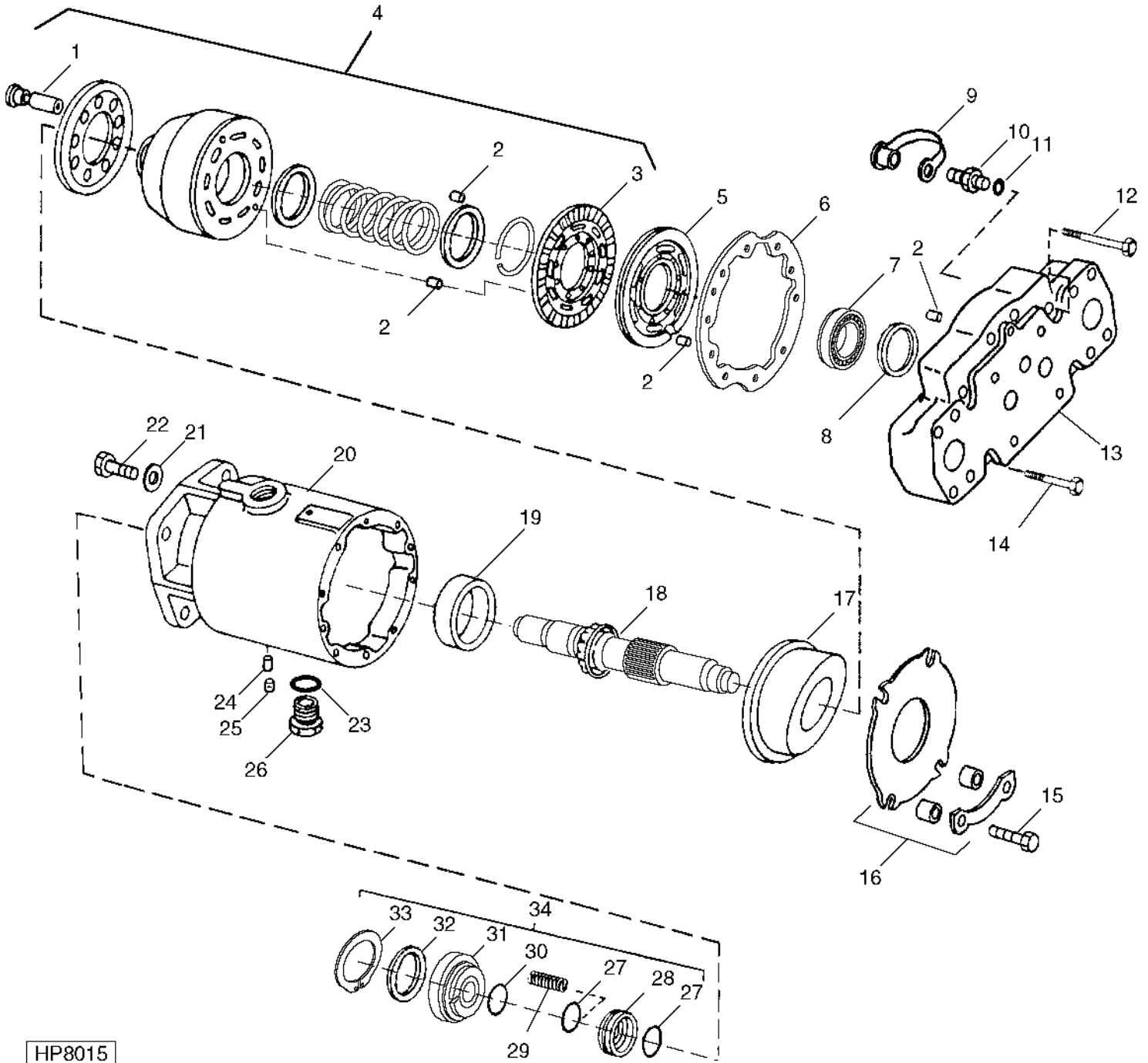
| KEY | PART NO. | PART NAME | QTY | SERIAL NO. | REMARKS |
|-----|----------|---------------|-----|------------|---|
| 1 | 19H1875 | CAP SCREW | 2 | | 5/16" X 1-3/4" |
| 2 | | HOUSING | 1 | | (ORDER AH131168) |
| 3 | | SPOOL | 1 | | (A) |
| 4 | | WASHER | 1 | | (A) |
| 5 | | SPRING | 1 | | (A) |
| 6 | | RETAINER | 1 | | (A) |
| 7 | | CAP SCREW | 1 | | (A) |
| 8 | AH129284 | KIT | 1 | | (INCLUDES PARTS MARKED (A)) |
| 9 | R27166 | O-RING | 1 | | 15.596 X 1.778 MM (0.614" X 0.070") |
| 10 | N126641 | SCREW | 1 | | |
| 11 | AN122494 | BOLT | 1 | | |
| 12 | AN122499 | BOLT | 1 | | |
| 13 | N126586 | GASKET | 1 | | |
| 14 | | LINK | 1 | | (ORDER AH131168) |
| 15 | M48000 | SNAP RING | 2 | | |
| 16 | | LINK | 1 | | (ORDER AH131168) |
| 17 | | CONNECTOR | 1 | | (ORDER AH131168) |
| 18 | 34H311 | SPRING PIN | 1 | | 1/4" X 7/8" |
| 19 | R26448 | O-RING | 2 | | 11.887 X 1.981 MM (0.468" X 5/64") |
| 20 | R27218 | FITTING PLUG | 2 | | |
| 21 | 14H785 | NUT | 1 | | 5/16" |
| 22 | 12M7032 | LOCK WASHER | 1 | | 0.331", (SUB FOR 12H291) |
| 23 | H168988 | LEVER | 1 | | (SUB FOR H126583) |
| 24 | A3917R | O-RING | 1 | | 9.246 X 1.778 MM (0.364" X 0.070") (SUB FOR R65286) |
| 25 | AN193084 | SHAFT | 1 | | |
| 26 | 19H1905 | CAP SCREW | 4 | | 5/16" X 1" |
| 27 | H136163 | SEAL | 1 | | |
| 28 | AH131168 | CONTROL VALVE | 1 | | |

NOTE: PARTS ON THIS PAGE ARE ALSO FURNISHED AS PART OF AH160785 HYDROSTATIC DRIVE UNIT.
(SINGLE REDUCTION FINAL DRIVE)

NOTE: PARTS ON THIS PAGE ARE ALSO FURNISHED AS PART OF AH160790 HYDROSTATIC DRIVE UNIT.
(PLANETARY FINAL DRIVE)

4D11

HYDROSTATIC DRIVE MOTOR
(RING AND PINION)
HP8015 -UN-03MAR99



HP8015

4D12

POWER TRAIN

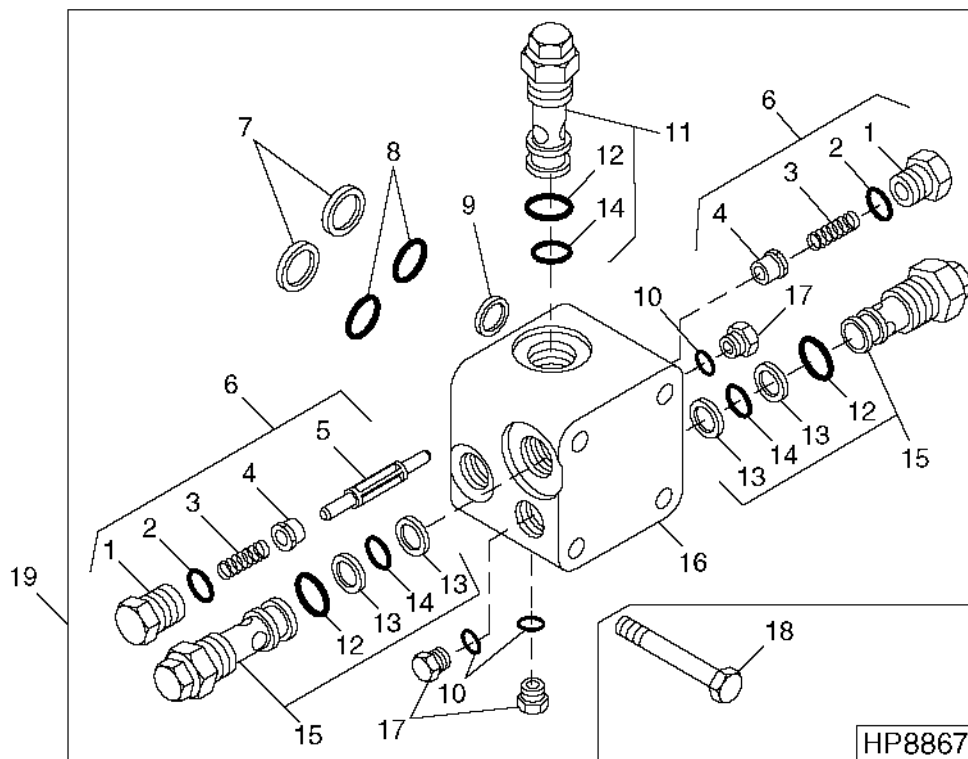
**HYDROSTATIC DRIVE MOTOR - CONTINUED
(RING AND PINION)**

| KEY | PART NO. | PART NAME | QTY | SERIAL NO. | REMARKS |
|-----|----------|----------------------------|-----|------------|---------------------|
| 1 | AH131169 | PISTON | 1 | | |
| 2 | H63271 | PIN | 5 | | |
| 3 | H135500 | PLATE | 1 | | |
| 4 | AH131171 | KIT | 1 | | |
| 5 | H135509 | PLATE | 1 | | |
| 6 | H135508 | GASKET | 1 | | |
| 7 | AN122507 | ROLLER BEARING | 1 | | |
| 8 | AN122509 | SHIM | 1 | | |
| 9 | R77175 | COVER | 2 | | |
| 10 | AH125760 | HYD. QUICK-CONNECT COUPLER | 2 | | |
| 11 | R26448 | O-RING | 2 | | |
| 12 | 19H1944 | CAP SCREW | 6 | | 3/8" X 2-3/4" |
| 13 | | COVER | 1 | | |
| 14 | 19H1800 | CAP SCREW | 2 | | 3/8" X 1-1/2" |
| 15 | 19H3053 | SCREW | 4 | | 5/16" X 1" |
| 16 | AH131391 | KIT | 1 | | |
| 17 | | SWASH PLATE | 1 | | |
| 18 | AH133661 | SHAFT | 1 | | |
| 19 | JD9113 | BEARING CUP | 1 | | |
| 20 | | HOUSING | 1 | | |
| 21 | H135571 | SEALING WASHER | 2 | | |
| 22 | 19H3192 | SCREW | 2 | | |
| 23 | U12547 | O-RING | 1 | | |
| 24 | H64813 | DOWEL PIN | 1 | | |
| 25 | 15H558 | PIPE PLUG | 1 | | 1/8" |
| 26 | R27175 | DRAIN PLUG | 1 | | |
| 27 | N196034 | O-RING | 2 | | |
| 28 | | SEAL | 1 | | |
| 29 | N191174 | SPRING | 6 | | |
| 30 | U15415 | O-RING | 1 | | |
| 31 | | SEAL | 1 | | |
| 32 | R112857 | O-RING | 1 | | |
| 33 | N126612 | SNAP RING | 1 | | |
| 34 | AN193085 | SEAL KIT | 1 | | |
| .. | AH131310 | MOTOR | 1 | | 75CC REMANUFACTURED |

4D13

HYDROSTATIC MOTOR VALVE (RING AND PINION)

HP8867 -UN-27JUL99



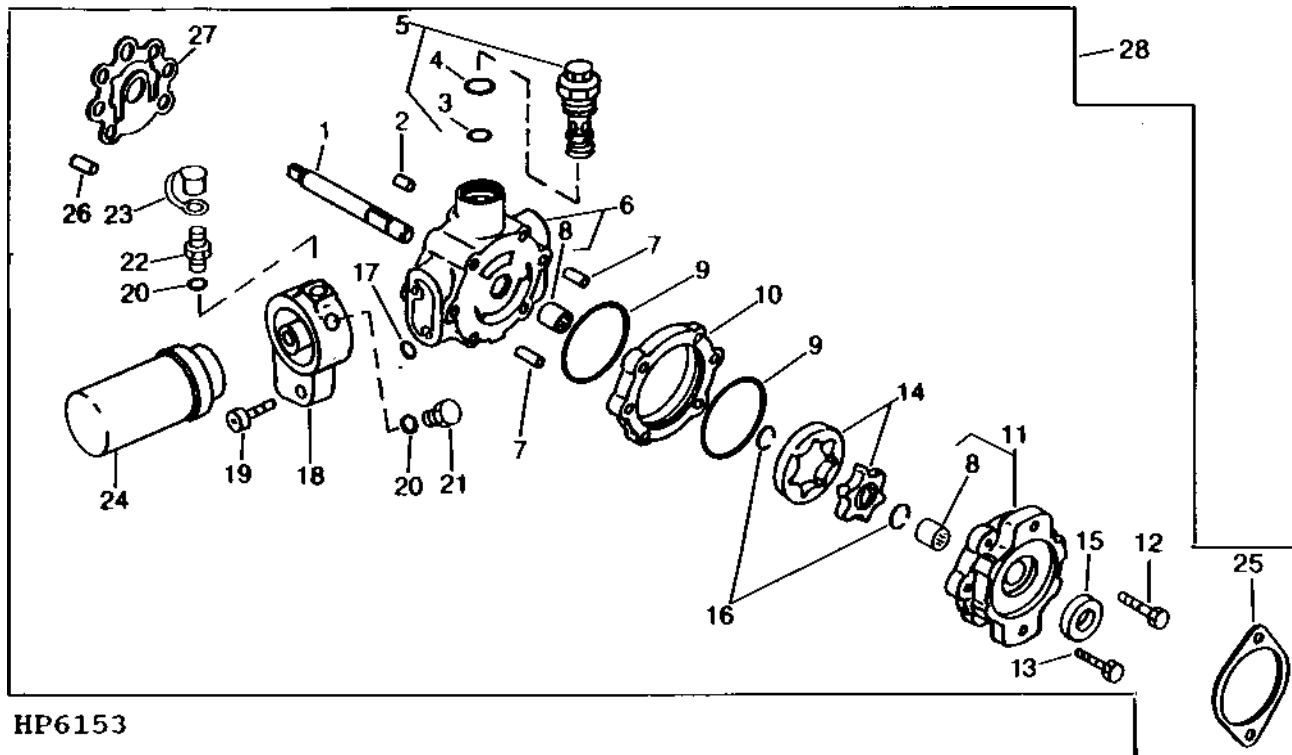
| KEY | PART NO. | PART NAME | QTY | SERIAL NO. | REMARKS |
|-----|----------|--------------|-----|------------|--------------------|
| 1 | R27175 | DRAIN PLUG | 2 | | |
| 2 | R26906 | O-RING | 2 | | 19.177 X 2.464 MM |
| 3 | | SPRING | 2 | | |
| 4 | N126654 | VALVE | 2 | | SHUTTLE |
| 5 | N128541 | SPOOL | 1 | | SHUTTLE |
| 6 | AH131308 | KIT | 1 | | |
| 7 | U40729 | BACK-UP RING | 2 | | |
| 8 | N130510 | O-RING | 2 | | 21.895 X 2.616 MM |
| 9 | AN272356 | SEAL KIT | 1 | | (SUB FOR N126588) |
| 10 | R28782 | O-RING | 3 | | 8.915 X 1.829 MM |
| 11 | AN122497 | RELIEF VALVE | 1 | | LOW PRESSURE |
| 12 | U17409 | O-RING | 3 | | 26.619 X 2.946 MM |
| 13 | H63288 | RING | 4 | | |
| 14 | H63289 | O-RING | 3 | | 20.295 X 2.616 MM |
| 15 | AH129280 | RELIEF VALVE | 2 | -29SE97 | HIGH PRESSURE |
| | AH131174 | RELIEF VALVE | 2 | 30SE97- | |
| 16 | | CASE | 1 | | |
| 17 | R51031 | FITTING | 3 | | |
| 18 | 19H2228 | CAP SCREW | 4 | | 3/8" X 4" |
| 19 | AH141811 | VALVE | 1 | | (SUB FOR AH131173) |

4D14

POWER TRAIN

HYDROSTATIC DRIVE CHARGE PUMP (PLANETARY)

(- 670000)
HP6153 -UN-01SEP95



| KEY | PART NO. | PART NAME | QTY | SERIAL NO. | REMARKS |
|-----|----------|----------------------------|-----|-------------------------------------|---------|
| 1 | H135697 | SHAFT | 1 | | |
| 2 | H135706 | PIN | 1 | 4.826 X 11.938 MM (0.190" X 0.470") | |
| 3 | H63289 | O-RING | 1 | 20.295 X 2.616 MM (0.799" X 0.103") | |
| 4 | U17409 | O-RING | 1 | 26.619 X 2.946 MM (1.048" X 0.116") | |
| 5 | AN122498 | RELIEF VALVE | 1 | | |
| 6 | | HOUSING | 1 | | |
| 7 | | BUSHING | 1 | | |
| 8 | | NEEDLE BEARING | 1 | | |
| 9 | H135570 | O-RING | 1 | 78.994 X 1.778 MM (3.110" X 0.070") | |
| 10 | | SPACER | 1 | | |
| 11 | | COVER | 1 | | |
| 12 | 19H1875 | CAP SCREW | 2 | 5/16" X 1-3/4" | |
| 13 | | SCREW | 4 | | |
| 14 | | OIL PUMP | 1 | | |
| 15 | AH131170 | SEAL | 1 | | |
| 16 | | SNAP RING | 2 | | |
| 17 | P48347 | O-RING | 2 | 17.120 X 2.616 MM (0.674" X 0.103") | |
| 18 | H151087 | FILTER HEAD | 1 | | |
| 19 | 19H3093 | SCREW | 2 | 9.525 X 44.450 MM (3/8" X 1-3/4") | |
| 20 | R26448 | O-RING | 2 | 11.887 X 1.981 MM (0.468" X 5/64") | |
| 21 | R27218 | FITTING PLUG | 1 | | |
| 22 | AH125760 | HYD. QUICK-CONNECT COUPLER | 1 | | |
| 23 | R77175 | COVER | 1 | | |
| 24 | AH128449 | HYDRAULIC FILTER | 1 | | |
| 25 | H131121 | GASKET | 1 | | |
| 26 | H63271 | PIN | 2 | | |
| 27 | H135497 | GASKET | 1 | | |
| 28 | AH160750 | HYDRAULIC PUMP | 1 | (SUB FOR AH131386) | |

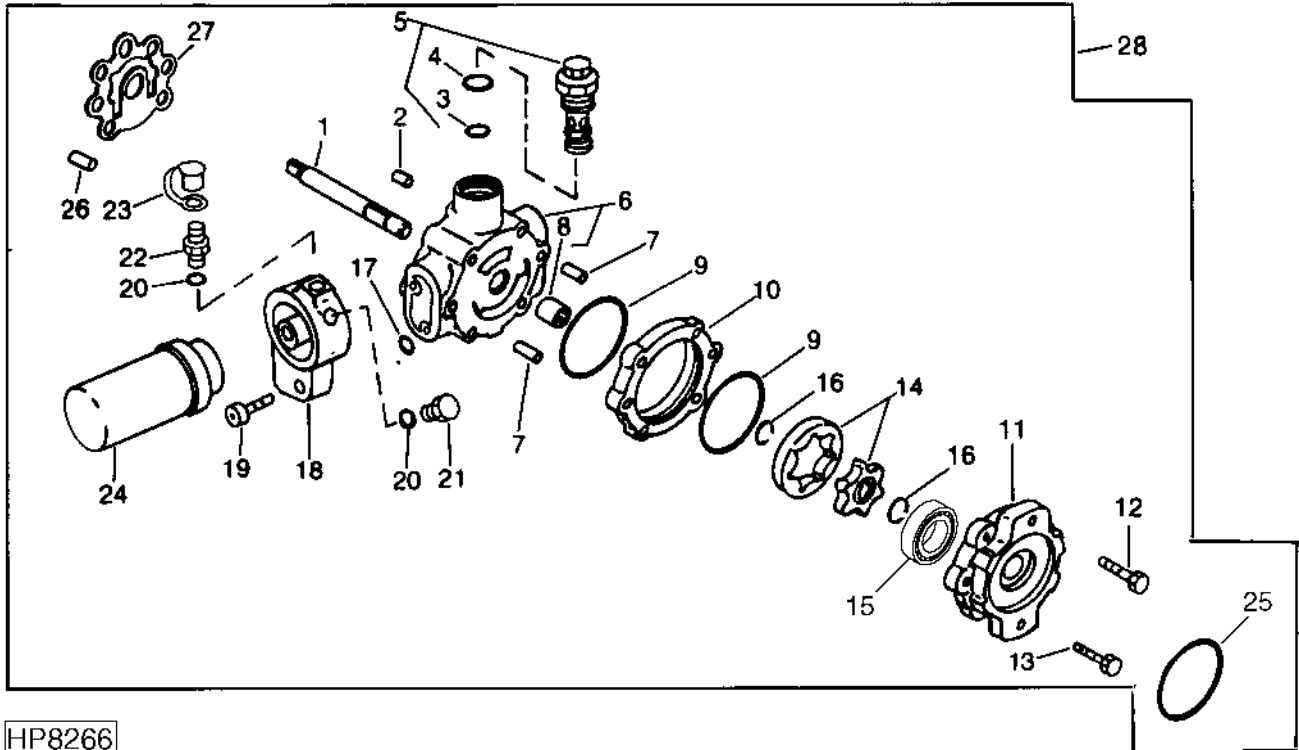
NOTE: PARTS ON THIS PAGE ARE ALSO FURNISHED AS PART OF AH160790 HYDROSTATIC DRIVE UNIT (PLANETARY FINAL DRIVE)

4D15

POWER TRAIN

HYDROSTATIC DRIVE CHARGE PUMP (PLANETARY)

(670000 -)
HP8266 -UN-19FEB99



HP8266

| KEY | PART NO. | PART NAME | QTY | SERIAL NO. | REMARKS |
|-----|----------|----------------------------|-----|-------------------------------------|---------|
| 1 | | DRIVE SHAFT | 1 | | |
| 2 | H135706 | PIN | 1 | 4.826 X 11.938 MM (0.190" X 0.470") | |
| 3 | H63289 | O-RING | 1 | 20.295 X 2.616 MM (0.799" X 0.103") | |
| 4 | U17409 | O-RING | 1 | 26.619 X 2.946 MM (1.048" X 0.116") | |
| 5 | AN122498 | RELIEF VALVE | 1 | | |
| 6 | | HOUSING | 1 | | |
| 7 | | BUSHING | 1 | | |
| 8 | | NEEDLE BEARING | 1 | | |
| 9 | H135570 | O-RING | 1 | 78.994 X 1.778 MM (3.110" X 0.070") | |
| 10 | | SPACER | 1 | | |
| 11 | | COVER | 1 | | |
| 12 | 19H1875 | CAP SCREW | 2 | 5/16" X 1-3/4" | |
| 13 | | SCREW | 4 | | |
| 14 | | OIL PUMP | 1 | | |
| 15 | | BALL BEARING | 1 | | |
| 16 | | SNAP RING | 2 | | |
| 17 | P48347 | O-RING | 2 | 17.120 X 2.616 MM (0.674" X 0.103") | |
| 18 | H151087 | FILTER HEAD | 1 | | |
| 19 | 19H3093 | SCREW | 2 | 9.525 X 44.450 MM (3/8" X 1-3/4") | |
| 20 | R26448 | O-RING | 2 | 11.887 X 1.981 MM (0.468" X 5/64") | |
| 21 | R27218 | FITTING PLUG | 1 | | |
| 22 | AH125760 | HYD. QUICK-CONNECT COUPLER | 1 | | |
| 23 | R77175 | COVER | 1 | | |
| 24 | AH128449 | HYDRAULIC FILTER | 1 | | |
| 25 | E65288 | O-RING | 1 | | |
| 26 | H63271 | PIN | 2 | | |
| 27 | H135497 | GASKET | 1 | | |
| 28 | AH160750 | HYDRAULIC PUMP | 1 | | |

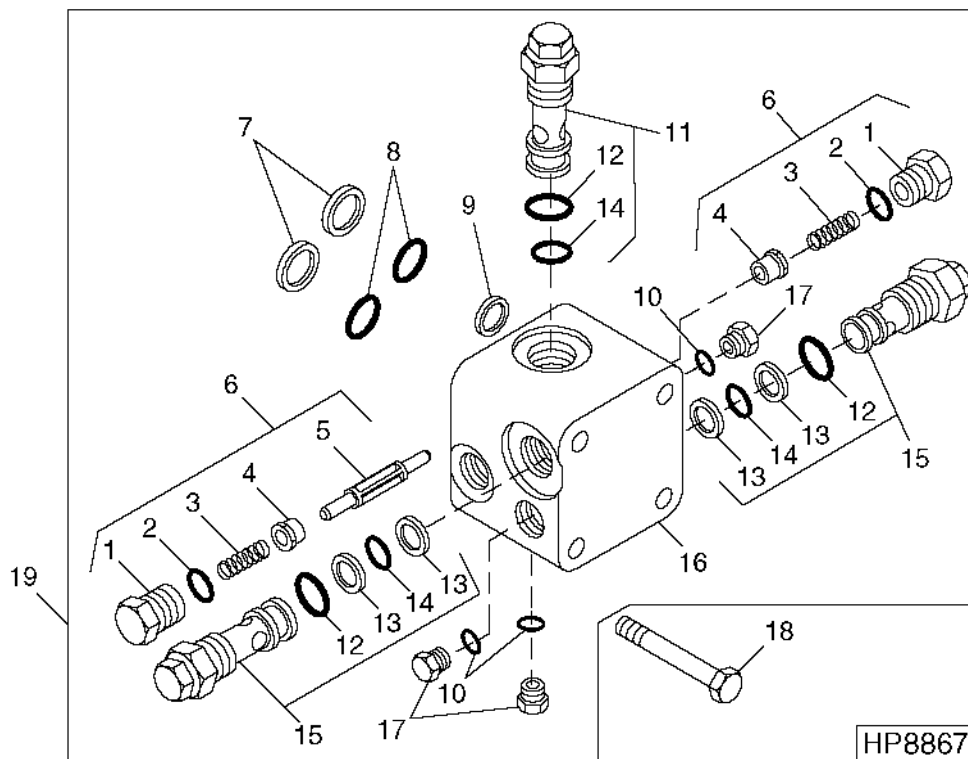
NOTE: PARTS ON THIS PAGE ARE ALSO FURNISHED AS PART OF AH160790 HYDROSTATIC DRIVE UNIT

4D16

POWER TRAIN

HYDROSTATIC MOTOR VALVE (PLANETARY)

HP8867 -UN-27JUL99

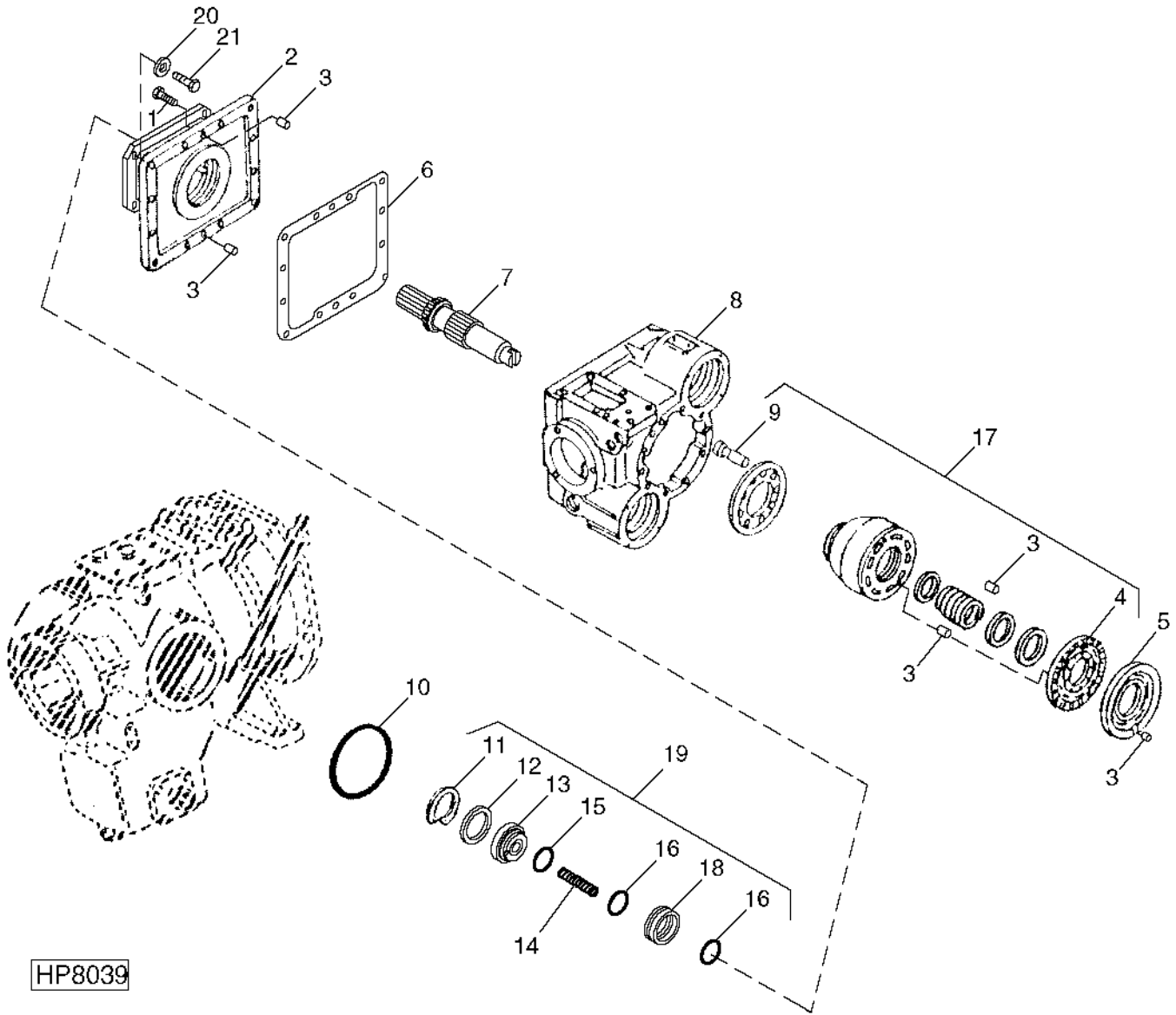


| KEY | PART NO. | PART NAME | QTY | SERIAL NO. | REMARKS |
|-----|----------|--------------|-----|------------|--------------------|
| 1 | R27175 | DRAIN PLUG | 2 | | |
| 2 | R26906 | O-RING | 2 | | 19.177 X 2.464 MM |
| 3 | | SPRING | 2 | | |
| 4 | N126654 | VALVE | 2 | | SHUTTLE |
| 5 | N128541 | SPOOL | 1 | | SHUTTLE |
| 6 | AH131308 | KIT | 1 | | |
| 7 | U40729 | BACK-UP RING | 2 | | |
| 8 | N130510 | O-RING | 2 | | 21.895 X 2.616 MM |
| 9 | AN272356 | SEAL KIT | 1 | | (SUB FOR N126588) |
| 10 | R28782 | O-RING | 3 | | 8.915 X 1.829 MM |
| 11 | AN122497 | RELIEF VALVE | 1 | | LOW PRESSURE |
| 12 | U17409 | O-RING | 3 | | 26.619 X 2.946 MM |
| 13 | H63288 | RING | 4 | | |
| 14 | H63289 | O-RING | 3 | | 20.295 X 2.616 MM |
| 15 | AH129280 | RELIEF VALVE | 2 | -29SE97 | HIGH PRESSURE |
| | AH131174 | RELIEF VALVE | 2 | 30SE97- | |
| 16 | | CASE | 1 | | |
| 17 | R51031 | FITTING | 3 | | |
| 18 | 19H2228 | CAP SCREW | 4 | | 3/8" X 4" |
| 19 | AH141811 | VALVE | 1 | | (SUB FOR AH131173) |

4D17

HYDROSTATIC DRIVE PUMP, FRONT COVER AND SHAFT (PLANETARY)

HP8039 -UN-26MAR99



HP8039

4D18

POWER TRAIN

**HYDROSTATIC DRIVE PUMP, FRONT COVER AND SHAFT - CONTINUED
(PLANETARY)**

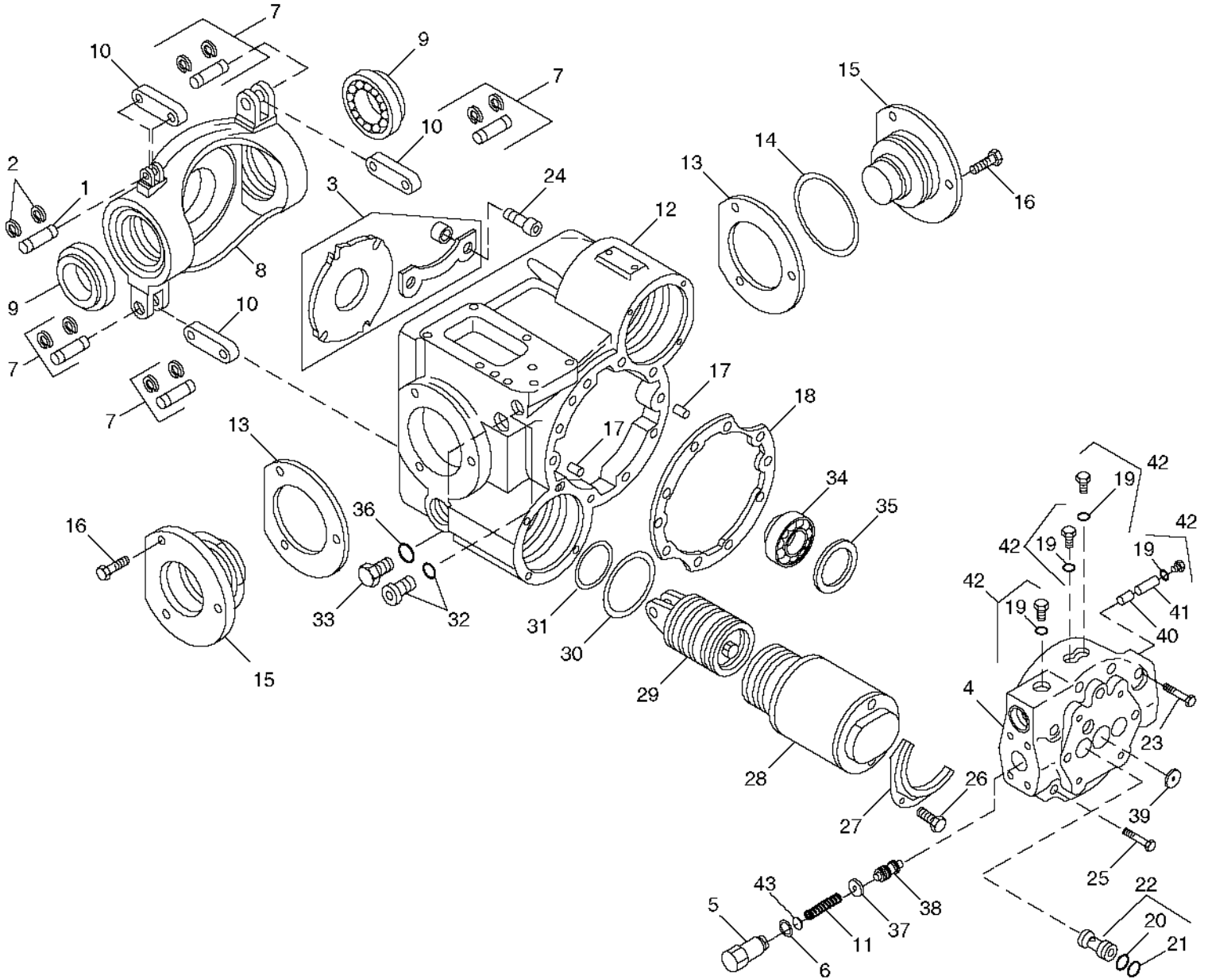
| KEY | PART NO. | PART NAME | QTY | SERIAL NO. | REMARKS |
|-----|----------|----------------|-----|------------|---|
| 1 | 19H1821 | CAP SCREW | 12 | | |
| 2 | | FLANGE | 1 | | |
| 3 | H63271 | PIN | 5 | | |
| 4 | H135700 | PLATE | 1 | | |
| 5 | H138900 | PLATE | 1 | | |
| 6 | H115060 | GASKET | 1 | | |
| 7 | AH133663 | SHAFT | 1 | | |
| 8 | | HOUSING | 1 | | |
| 9 | AH131388 | PISTON | 1 | | (INCLUDES 9 PISTONS) |
| 10 | R63308 | O-RING | 1 | | 120.015 X 5.334 MM |
| 11 | N126612 | SNAP RING | 1 | | |
| 12 | R112857 | O-RING | 1 | | 64.770 X 2.616 MM |
| 13 | | RETAINER | 1 | | (KIT AN193085) |
| 14 | N191174 | SPRING | 6 | | |
| 15 | U15415 | O-RING | 1 | | 34.646 X 1.778 MM |
| 16 | N196034 | O-RING | 2 | | 42.520 X 2.616 MM |
| 17 | AH131387 | KIT | 1 | | |
| 18 | | SEAL KIT | 1 | | |
| 19 | AN193085 | SEAL KIT | 1 | | |
| 20 | T29342 | WASHER | 4 | | |
| 21 | 19M7493 | CAP SCREW | 4 | | M12 X 40 |
| .. | AH160790 | HYDRAULIC PUMP | 1 | | (SUB FOR AH131385) (USE WITH E65288) REMANUFACTURED (75CC) |
| .. | E65288 | O-RING | 1 | | |

4D19

POWER TRAIN

HYDROSTATIC DRIVE PUMP, HOUSING, SWASHPLATE, AND SERVO CYLINDERS (PLANETARY)

HP8037 -UN-12JUL99



HP8037

4D20

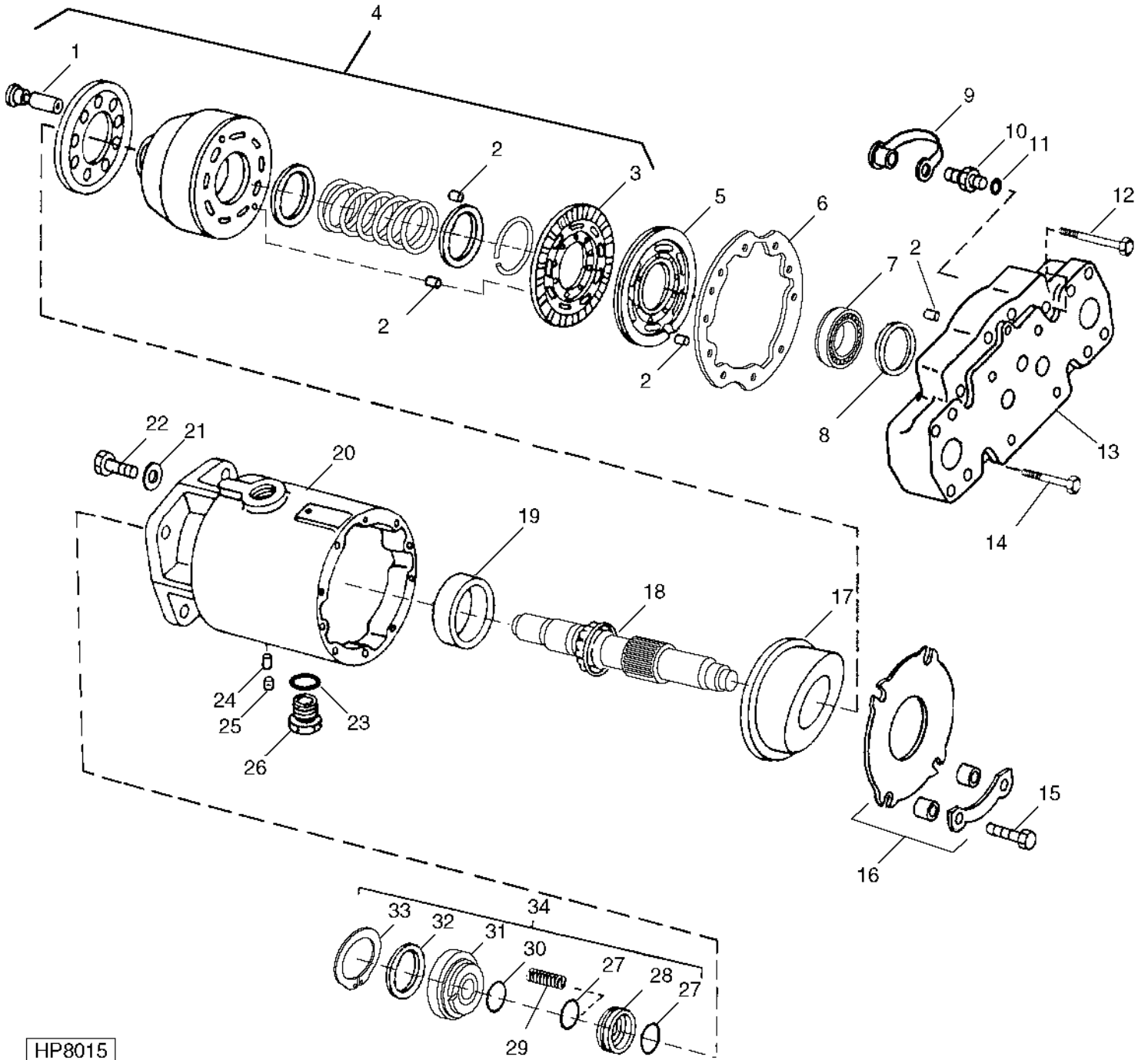
POWER TRAIN

**HYDROSTATIC DRIVE PUMP, HOUSING, SWASHPLATE, AND SERVO CYLINDERS - CONTINUED
(PLANETARY)**

| KEY | PART NO. | PART NAME | QTY | SERIAL NO. | REMARKS |
|-----|----------|--------------------|-----|------------|--|
| 1 | N126603 | PIN | 1 | | 6.350 X 22.606 MM |
| 2 | M48000 | SNAP RING | 2 | | |
| 3 | AH131391 | KIT | 1 | | HOLD DOWN |
| 4 | | COVER | 1 | | |
| 5 | H135215 | HOLDER | 1 | | |
| 6 | R26906 | O-RING | 1 | | |
| 7 | AN274375 | PIN | 2 | | |
| 8 | | SWASH PLATE | 1 | | |
| 9 | JD9076 | BEARING CONE | 2 | | |
| | JD9133 | BEARING CUP | 2 | | |
| 10 | N126600 | LINK | 2 | | |
| 11 | H135211 | COMPRESSION SPRING | 1 | | |
| 12 | | HOUSING | 1 | | |
| 13 | AH112680 | SHIM | AR | | SIX, .002", FOUR, .005", .010", .015" AND .025" |
| 14 | M4237T | O-RING | 2 | | 75.794 X 3.531 MM |
| 15 | | TRUNNION | 2 | | |
| 16 | 19H2666 | CAP SCREW | 6 | | 7/16" X 7/8" |
| 17 | H63271 | PIN | 2 | | |
| 18 | H115049 | GASKET | 1 | | |
| 19 | R30903 | O-RING | 1 | | |
| 20 | 32246 | O-RING | 2 | | 13.945 X 2.616 MM |
| 21 | W23690 | BACK-UP RING | 2 | | |
| 22 | AN122502 | CHECK VALVE | 2 | | |
| 23 | 19H2347 | CAP SCREW | 6 | | 7/16" X 3" |
| 24 | 19H3053 | SCREW | 4 | | 5/16" X 1" |
| | 19H3352 | SCREW | 4 | | 5/16" X 1-1/4" |
| 25 | 19H1899 | CAP SCREW | 2 | | 7/16" X 2" |
| 26 | 19H3176 | SCREW | 6 | | 0.164" X 0.380" |
| 27 | H115052 | RETAINER | 2 | | |
| 28 | AH112668 | KIT | 2 | | |
| 29 | AH112675 | PISTON | 2 | | INCLUDES KEYS 1, 2 AND 10 |
| 30 | P48403 | O-RING | 2 | | 85.319 X 3.531 MM |
| 31 | M43518 | O-RING | 2 | | 61.595 X 2.616 MM |
| 32 | AN122518 | FITTING | 1 | | INCLUDES O-RING |
| 33 | R51031 | FITTING | 1 | | |
| 34 | AH65358 | BEARING | 1 | | |
| 35 | AH112678 | SHIM | 1 | | SIX, .003", .005", .010", .015", .020" AND .030" |
| 36 | R28782 | O-RING | 2 | | 8.915 X 1.829 MM |
| 37 | H135213 | WASHER | 1 | | |
| 38 | H135214 | VALVE SPOOL | 1 | | |
| 39 | N126644 | ORIFICE | 1 | | |
| 40 | H135212 | NEEDLE ROLLER | 1 | | |
| 41 | H135695 | NEEDLE ROLLER | 1 | | |
| 42 | AT63272 | FITTING | 4 | | |
| 43 | AH129278 | KIT | 1 | | SHIM |
| .. | AH160790 | HYDRAULIC PUMP | 1 | | (SUB FOR AH131385) (USE WITH E65288) REMANUFACTURED |
| .. | E65288 | O-RING | 1 | | |

4D21

HYDROSTATIC DRIVE MOTOR
(PLANETARY)
HP8015 -UN-03MAR99



HP8015

4D22

POWER TRAIN

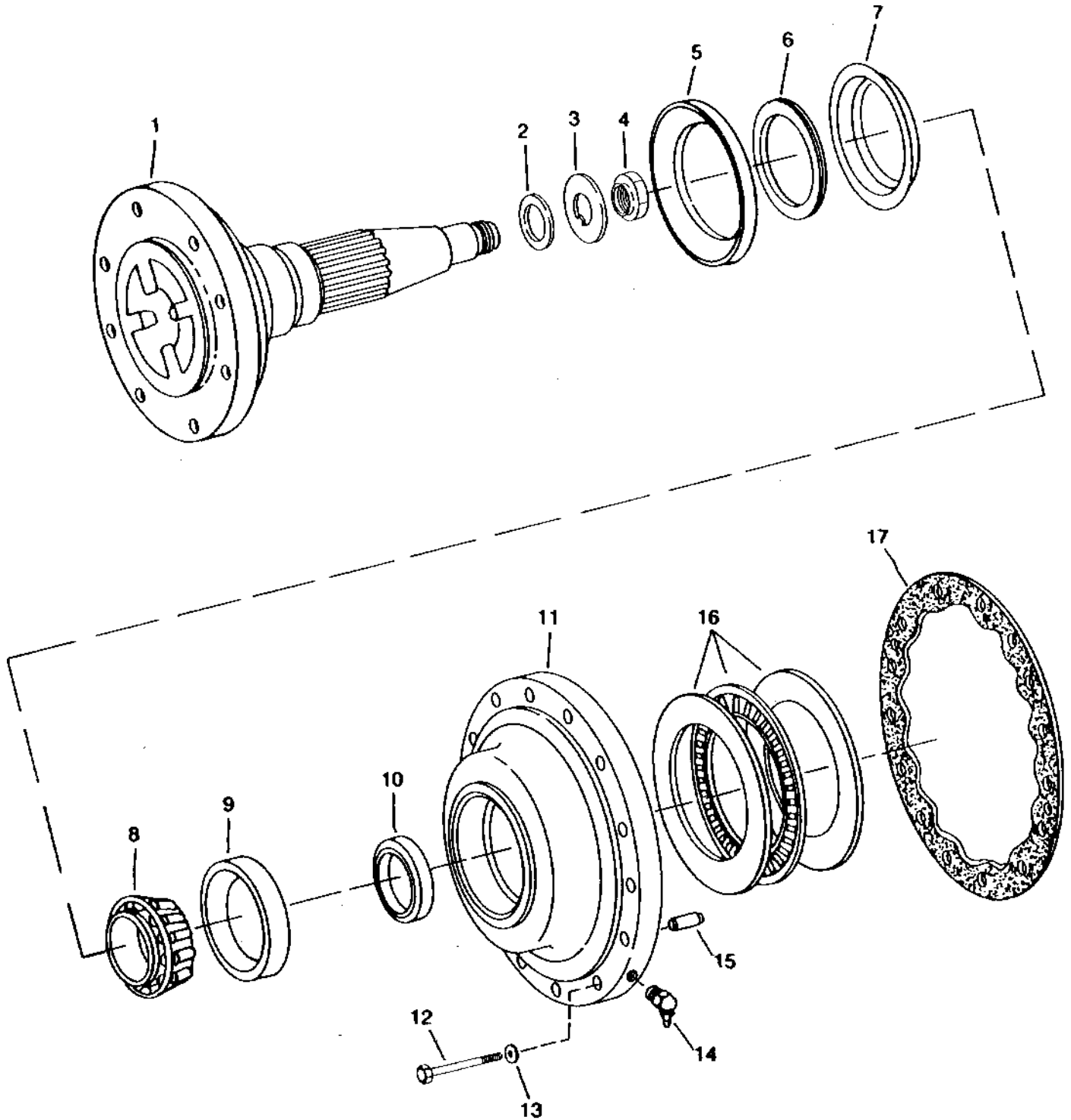
**HYDROSTATIC DRIVE MOTOR - CONTINUED
(PLANETARY)**

| KEY | PART NO. | PART NAME | QTY | SERIAL NO. | REMARKS |
|-----|----------|----------------------------|-----|------------|----------------|
| 1 | AH131388 | PISTON | 1 | | |
| 2 | H63271 | PIN | 5 | | |
| 3 | H135700 | PLATE | 1 | | |
| 4 | AH131387 | KIT | 1 | | |
| 5 | H138901 | PLATE | 1 | | |
| 6 | H135702 | GASKET | 1 | | |
| 7 | AH65358 | BEARING | 1 | | |
| 8 | AH112678 | SHIM | 1 | | |
| 9 | R77175 | COVER | 2 | | |
| 10 | AH125760 | HYD. QUICK-CONNECT COUPLER | 2 | | |
| 11 | R26448 | O-RING | 2 | | |
| 12 | 19H2347 | CAP SCREW | 6 | | 7/16" X 3" |
| 13 | | COVER | 1 | | |
| 14 | 19H1899 | CAP SCREW | 2 | | 7/16" X 2" |
| 15 | 19H3352 | SCREW | 4 | | 5/16" X 1-1/4" |
| 16 | AH131392 | KIT | 1 | | |
| 17 | | SWASH PLATE | 1 | | |
| 18 | AH133662 | SHAFT | 1 | | |
| 19 | JD7297 | BEARING CUP | 1 | | |
| 20 | | HOUSING | 1 | | |
| 21 | H135571 | SEALING WASHER | 2 | | |
| 22 | 19H3192 | SCREW | 2 | | |
| 23 | U12547 | O-RING | 1 | | |
| 24 | H64813 | DOWEL PIN | 1 | | |
| 25 | 15H558 | PIPE PLUG | 1 | | 1/8" |
| 26 | R27175 | DRAIN PLUG | 1 | | |
| 27 | N196034 | O-RING | 2 | | |
| 28 | | SEAL | 1 | | |
| 29 | N191174 | SPRING | 6 | | |
| 30 | U15415 | O-RING | 1 | | |
| 31 | | SEAL | 1 | | |
| 32 | T19832 | O-RING | 1 | | |
| 33 | N126612 | SNAP RING | 1 | | |
| 34 | AN193085 | SEAL KIT | 1 | | |
| .. | AH131390 | MOTOR | 1 | | REMANUFACTURED |

4D23

POWER TRAIN

SHAFT, OUTER COVER, BEARING AND SEALS
CAM LOBE MOTOR
RXP6957 -UN-01JAN94



RXP6957

4D24

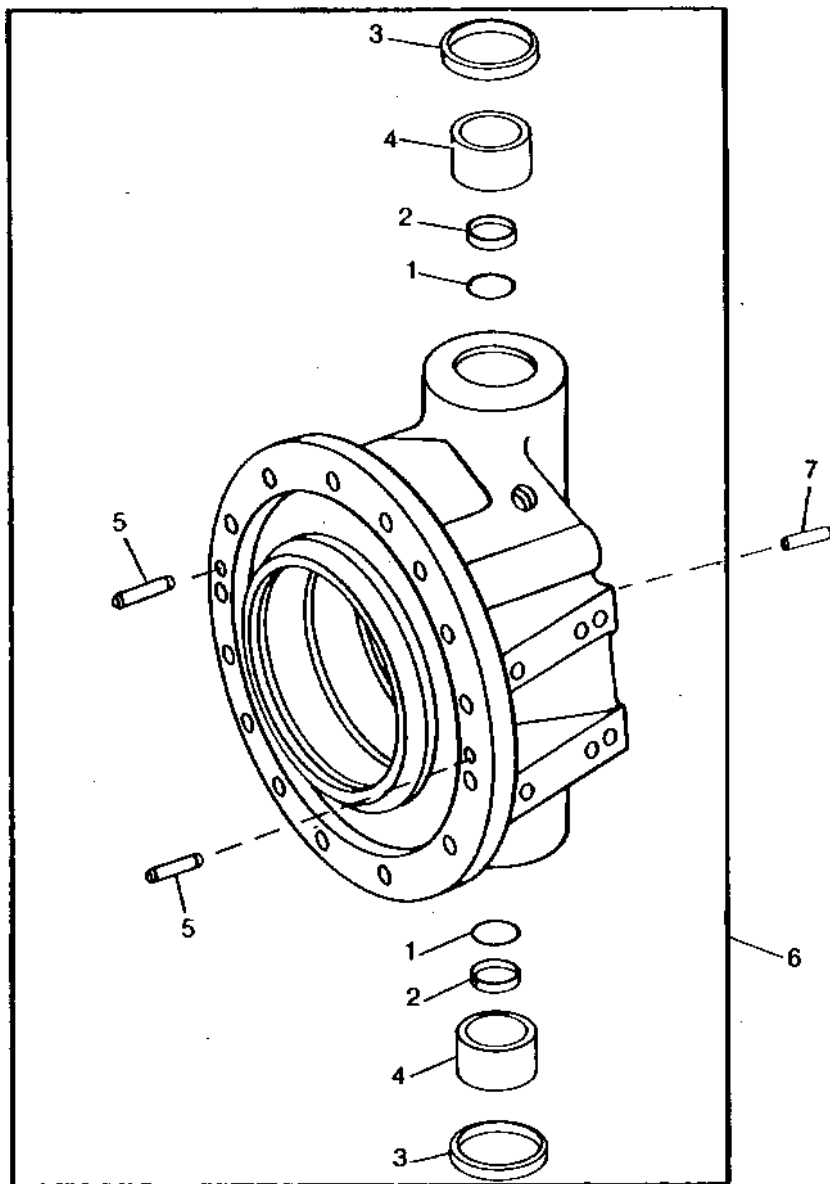
POWER TRAIN

**SHAFT, OUTER COVER, BEARING AND SEALS - CONTINUED
CAM LOBE MOTOR**

| KEY | PART NO. | PART NAME | QTY | SERIAL NO. | REMARKS |
|-----|----------|---------------------|-----|------------|--|
| 1 | R88972 | SPINDLE | 1 | | (SUB R111995 AND RE49243) |
| | R111995 | SPINDLE | 1 | | |
| 2 | JD9849 | THRUST BEARING | 1 | | |
| 3 | R93180 | WASHER | 1 | | |
| 4 | R92160 | NUT | 1 | | |
| 5 | R93030 | SEAL | 1 | | |
| 6 | RE31701 | SEAL | 1 | -641716 | (USE WITH R88972) |
| | RE49243 | SEAL | 1 | | (USE WITH R111995) |
| 7 | R57269 | OIL CUP | 1 | | |
| 8 | JD10462 | BEARING CONE | 1 | | |
| 9 | JD7448 | BEARING CUP | 1 | | |
| 10 | RE32824 | SEAL | 1 | | |
| 11 | R88829 | COVER | 1 | | |
| 12 | R89610 | CAP SCREW | 15 | | 1/2" X 6" |
| 13 | R32214 | WASHER | 15 | | 13.106 X 22.225 X 2.286 MM (33/64" X 7/8" X 0.090") |
| 14 | JD7847 | LUBRICATION FITTING | 1 | | |
| 15 | R26650 | DOWEL PIN | 2 | | |
| 16 | RE68401 | THRUST BEARING | 1 | | (SUB FOR RE22642) |
| 17 | R93142 | GASKET | 1 | | |

4E1

INNER COVER
RXP7788 -UN-01JAN94



RXP7788

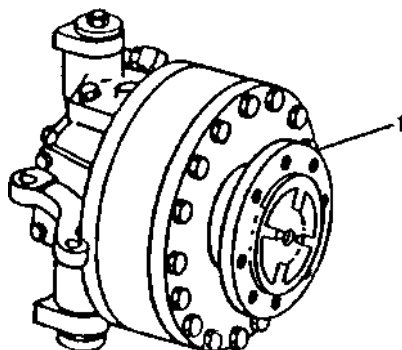
4E2

POWER TRAIN

INNER COVER - CONTINUED

| KEY | PART NO. | PART NAME | QTY | SERIAL NO. | REMARKS |
|-----|----------|-----------|-----|------------|---|
| 1 | U11647 | O-RING | 2 | | 21.819 X 3.531 MM (55/64" X 0.139") |
| 2 | R73102 | WASHER | 2 | | 22.300 X 28.300 X 1.270 MM (0.878" X 1.114" X 0.050") |
| 3 | AR86539 | SEAL | 2 | | |
| 4 | R68102 | BUSHING | 2 | | |
| 5 | R26650 | DOWEL PIN | 2 | | |
| 6 | RE39131 | COVER | 1 | | (MARKED R93105) |
| 7 | R71711 | DOWEL PIN | 1 | | 6.337 X 29 MM (0.249" X 1.142") |

CAM LOBE MOTOR
RXP6972 -UN-01JAN94



RXP6972

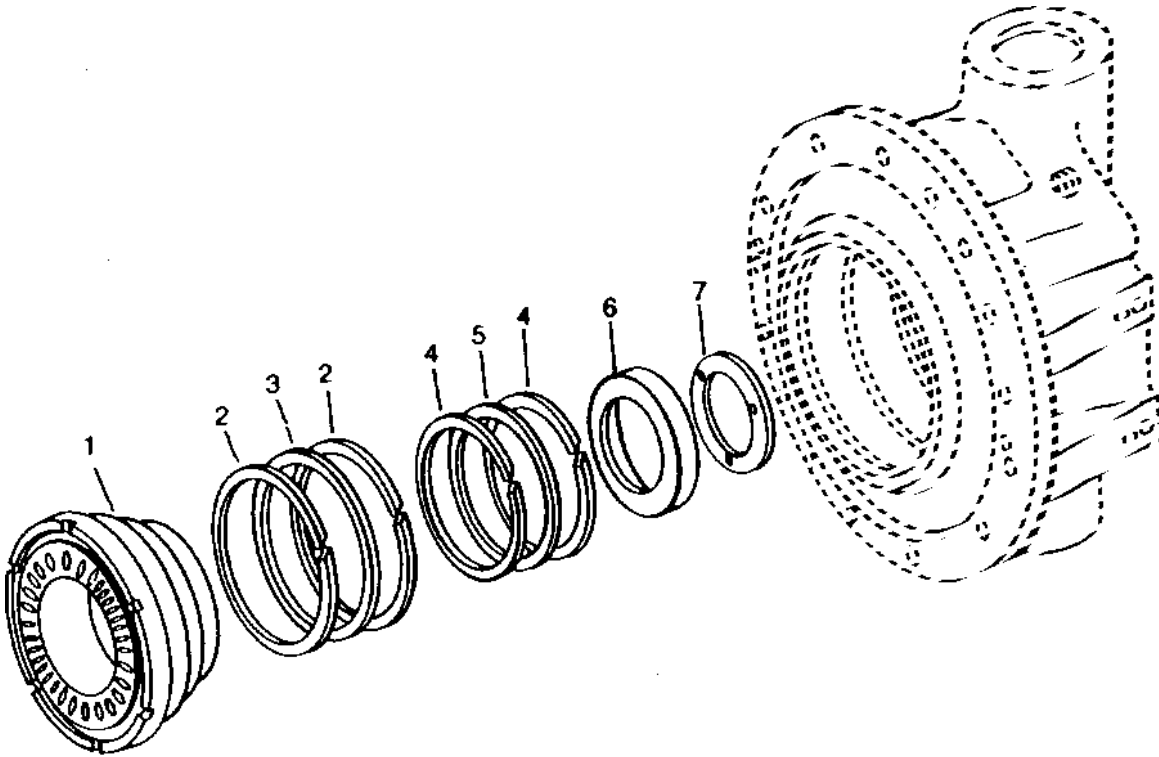
| KEY | PART NO. | PART NAME | QTY | SERIAL NO. | REMARKS |
|-----|----------------|------------------------------------|----------|------------|--|
| 1 | RE33336 | MOTOR | 1 | | (A) R.H. COMPLETE COMPONENT |
| | RE33337 | MOTOR | 1 | | (A) L.H. COMPLETE COMPONENT |
| | RE33338 | MOTOR | 1 | | (B) R.H. COMPLETE COMPONENT |
| | RE33339 | MOTOR | 1 | | (B) L.H. COMPLETE COMPONENT |
| .. | BH71746 | COMPLETE GOODS/SHIP. BUNDLE | 1 | | 4 WHEEL DRIVE CONVERSION |
| .. | BH71883 | COMPLETE GOODS/SHIP. BUNDLE | 1 | | 4 WHEEL DRIVE CONVERSION - CORN AND GRAIN |
| .. | BH80002 | COMPLETE GOODS/SHIP. BUNDLE | 1 | | 4 WHEEL DRIVE CONVERSION - RICE |
| .. | BH80003 | COMPLETE GOODS/SHIP. BUNDLE | 1 | | 4 WHEEL DRIVE CONVERSION |

(A) 1200 CC
(B) 1600 CC

4E4

POWER TRAIN

MANIFOLD AND PACKING
RXP7841 -UN-01JAN94



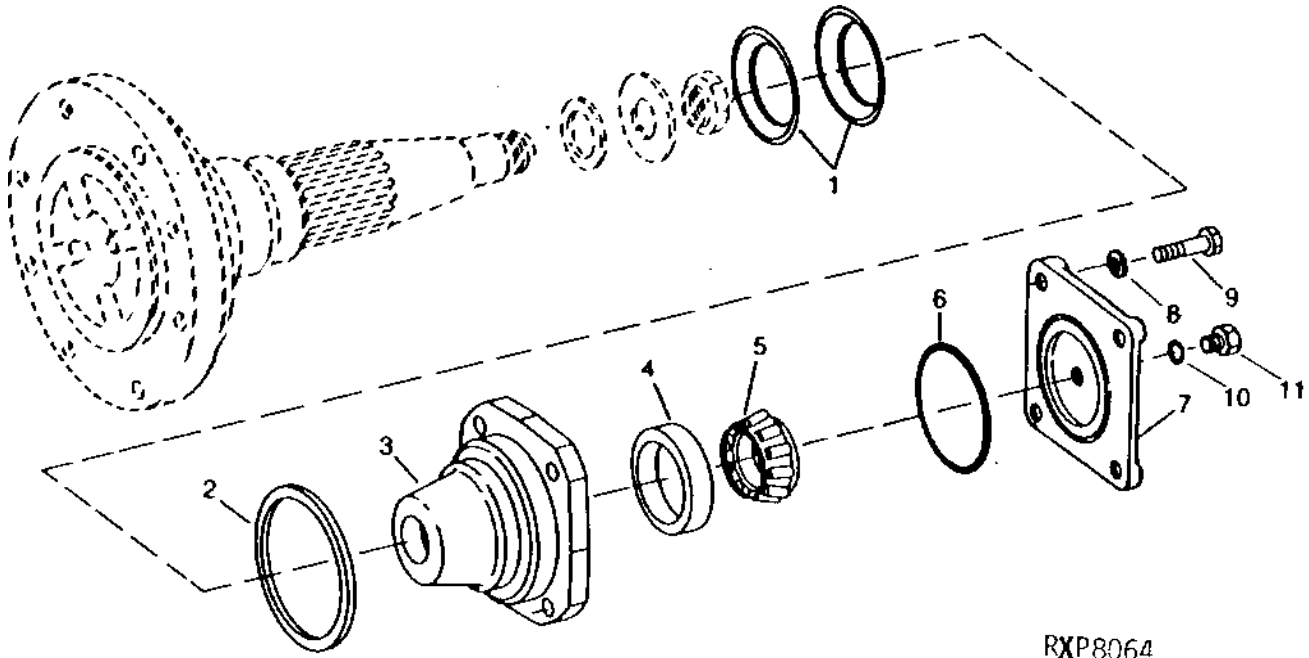
RXP7841

| KEY | PART NO. | PART NAME | QTY | SERIAL NO. | REMARKS |
|-----|----------|--------------|-----|------------|---------------------|
| 1 | R99377 | MANIFOLD | 1 | | |
| 2 | R74690 | BACK-UP RING | 2 | | |
| 3 | R74696 | WASHER | 1 | | |
| 4 | R74689 | BACK-UP RING | 2 | | |
| 5 | R74697 | WASHER | 1 | | |
| 6 | R74693 | PACKING | 1 | | ALSO FURNISH R74694 |
| 7 | R74694 | BACK-UP RING | 1 | | ALSO FURNISH R74693 |

4E5

POWER TRAIN

QUILL, BEARING AND COVER
RXP8064 -UN-01JAN94

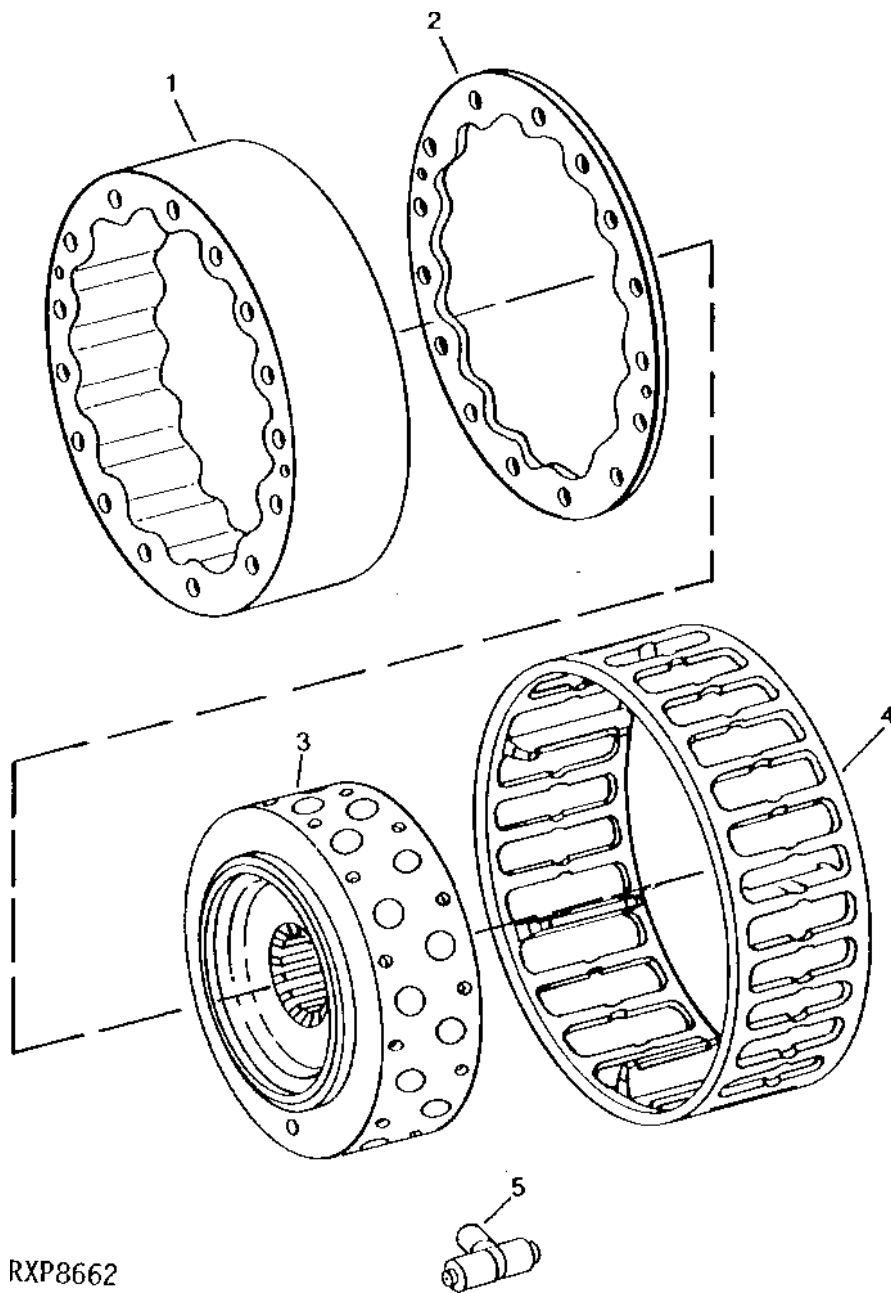


| KEY | PART NO. | PART NAME | QTY | SERIAL NO. | REMARKS |
|-----|----------|-----------------------------|-----|------------|--|
| 1 | R85588 | WASHER | 2 | | 78.700 X 112 X 1.780 MM (3.098" X 4.409" X 0.070") |
| 2 | R39876 | PACKING | 1 | | |
| 3 | R92104 | BEARING HOUSING W/O BEARING | 1 | | |
| 4 | JD9109 | BEARING CUP | 1 | | |
| 5 | JD9043 | BEARING CONE | 1 | | |
| 6 | E55758 | O-RING | 1 | | 113.970 X 2.616 MM (4.487" X 0.103") |
| 7 | R100727 | COVER | 1 | | (SUB FOR R92387) |
| 8 | R69536 | WASHER | 6 | | 10.500 X 18.500 X 3 MM (0.413" X 0.728" X 0.118") |
| 9 | 19H3065 | CAP SCREW | 6 | | 3/8" X 2", (SUB FOR 19H3267) |
| 10 | R28782 | O-RING | 1 | | 8.915 X 1.829 MM (0.351" X 0.072") |
| 11 | R51031 | FITTING | 1 | | |

MEMORANDA

4E6

CARRIER, PISTONS AND CAM
RXP8662 -UN-01JAN94



RXP8662

4E7

CARRIER, PISTONS AND CAM - CONTINUED

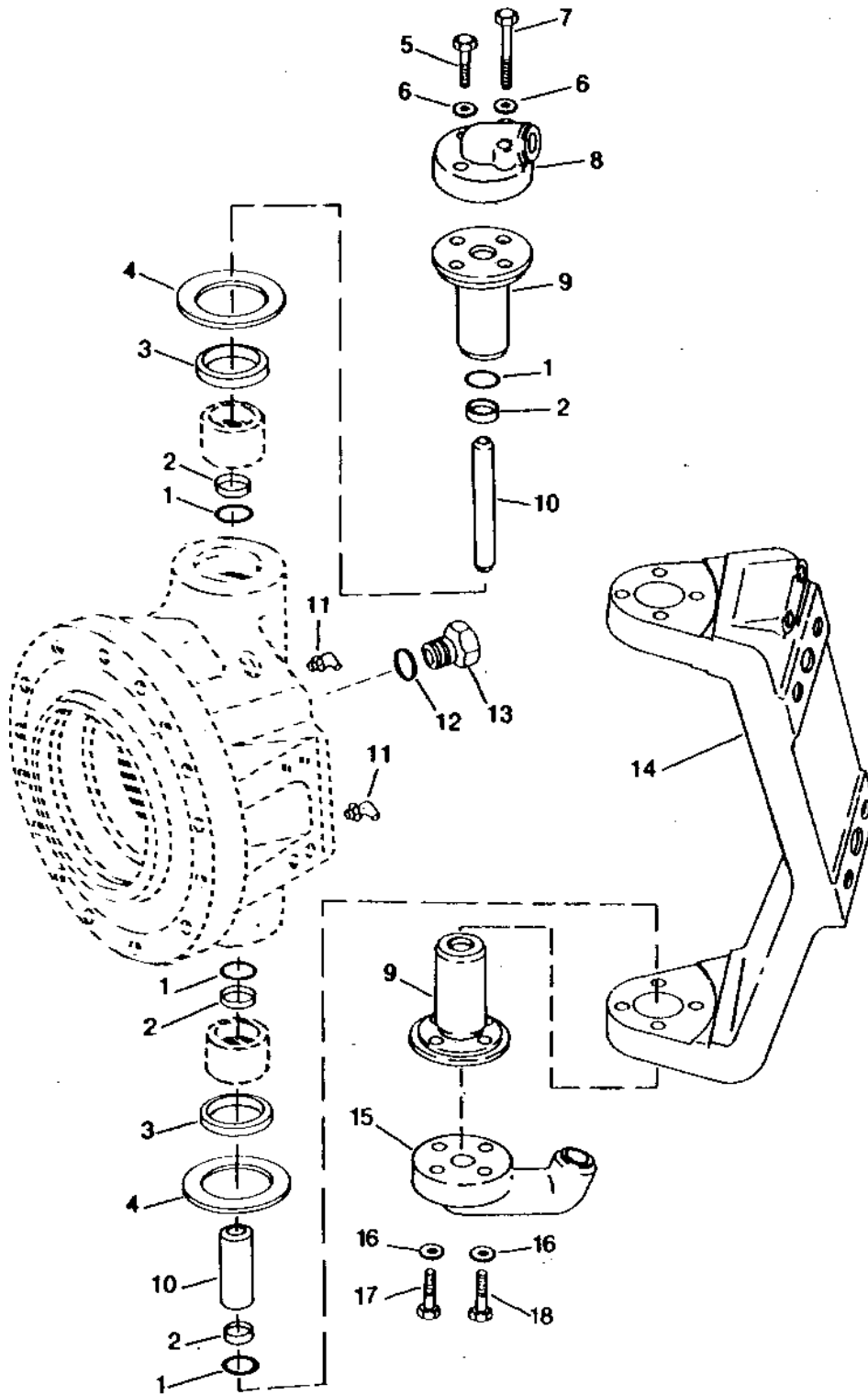
| KEY | PART NO. | PART NAME | QTY | SERIAL NO. | REMARKS |
|-----|----------|---------------------------|-----|------------|------------------|
| 1 | R92148 | CAM | 1 | | (SUB FOR R69927) |
| 2 | R93142 | GASKET | 1 | | |
| 3 | R88959 | HYD. MOTOR PISTON CARRIER | 1 | | (A) |
| | R88960 | PLANET PINION CARRIER | 1 | | (B) |
| 4 | R92979 | GUIDE | 1 | | (A) |
| | R89012 | GUIDE | 1 | | (B) |
| 5 | RE27837 | HYD. MOTOR PISTON CARRIER | 18 | | (A) |
| | RE27837 | HYD. MOTOR PISTON CARRIER | 24 | | (B) |

(A) 1200 CC

(B) 1600 CC

4E8

YOKE, PIVOTS AND CAPS
RXP7667 -UN-01JAN94



RXP7667

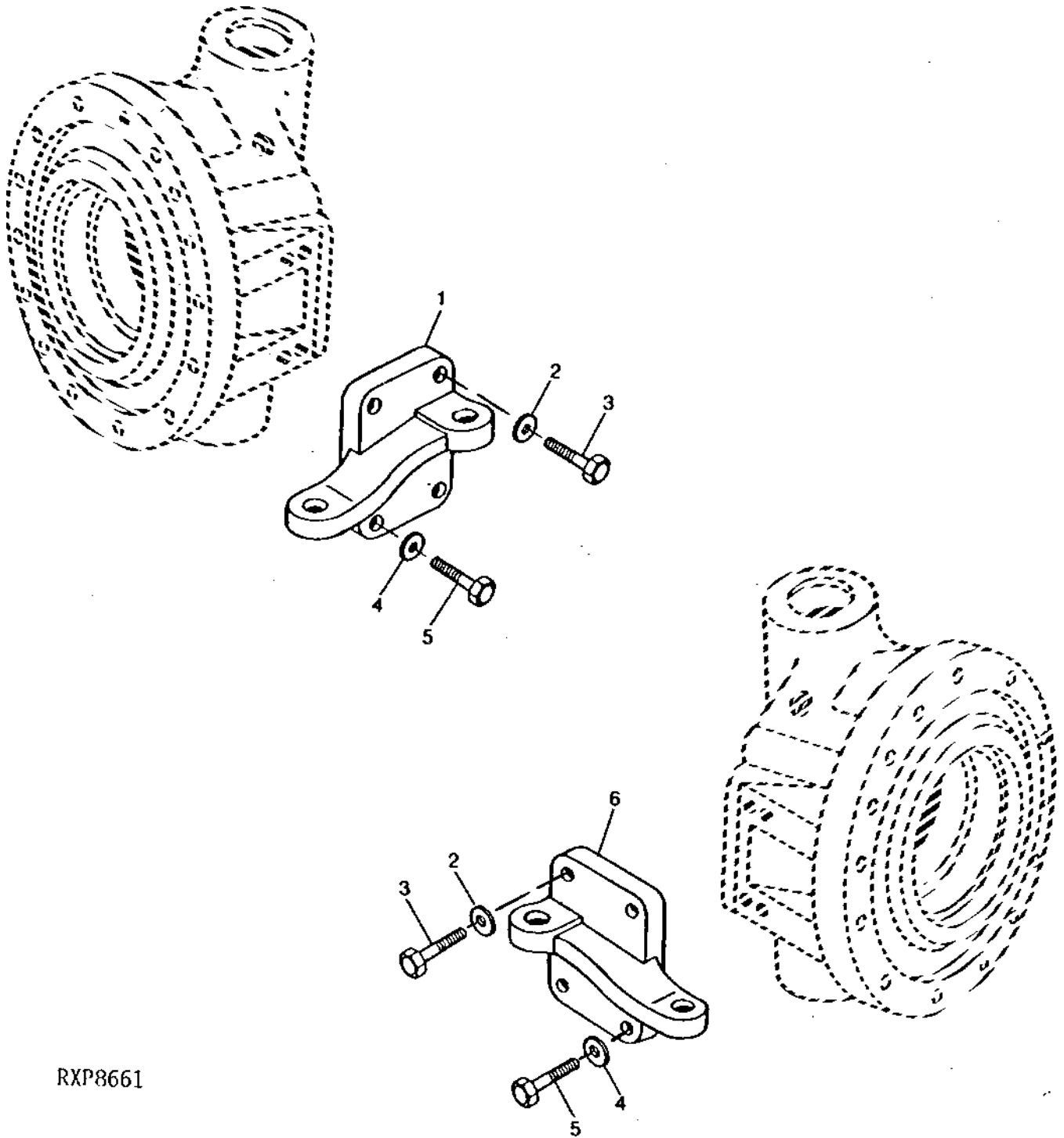
4E9

YOKE, PIVOTS AND CAPS - CONTINUED

| KEY | PART NO. | PART NAME | QTY | SERIAL NO. | REMARKS |
|-----|----------|---------------------|-----|------------|--|
| 1 | U11647 | O-RING | 4 | | 21.819 X 3.531 MM (55/64" X 0.139") |
| 2 | R73102 | WASHER | 4 | | 22.300 X 28.300 X 1.270 MM (0.878" X 1.114" X 0.050") |
| 3 | AR86539 | SEAL | 2 | | |
| 4 | R60239 | THRUST WASHER | 2 | | 51.500 X 101.500 X 3.040 MM (2.028" X 3.996" X 0.120") |
| 5 | 19H3267 | CAP SCREW | 2 | | 3/8" X 1-5/8" |
| 6 | R69536 | WASHER | 4 | | 10.500 X 18.500 X 3 MM (0.413" X 0.728" X 0.118") |
| 7 | 19H2855 | CAP SCREW | 2 | | 3/8" X 3-1/4" |
| 8 | R85374 | CAP | 1 | | |
| 9 | R85376 | PIN | 2 | | |
| 10 | R85378 | TUBE | 2 | | |
| 11 | JD7799 | LUBRICATION FITTING | 3 | | 65° X 0.840" LONG, (SUB FOR JD7847) |
| 12 | R26375 | O-RING | 1 | | 16.358 X 2.210 MM (0.644" X 0.087") |
| 13 | R39112 | FITTING | 1 | | |
| 14 | R89015 | YOKE | 1 | | |
| 15 | R85373 | CAP | 1 | | |
| 16 | R69536 | WASHER | 4 | | 10.500 X 18.500 X 3 MM (0.413" X 0.728" X 0.118") |
| 17 | 19H3267 | CAP SCREW | 2 | | 3/8" X 1-5/8" |
| 18 | 19H3031 | CAP SCREW | 2 | | 3/8" X 2-1/2" |
| .. | H75423 | PIN | 2 | | 22.073 X 19.812 MM (0.869" X 0.780") HARDWARE FOR KEY 14 |
| .. | H144293 | WASHER | 4 | | 20 X 45 X 10 MM (0.787" X 1.772" X 0.394") HARDWARE FOR KEY 14 |
| .. | 19H3126 | CAP SCREW | 4 | | 19.050 X 57.150 MM (3/4" X 2-1/4") HARDWARE FOR KEY 14 |

4E10

STEERING ARMS
RXP8661 -UN-01JAN94



RXP8661

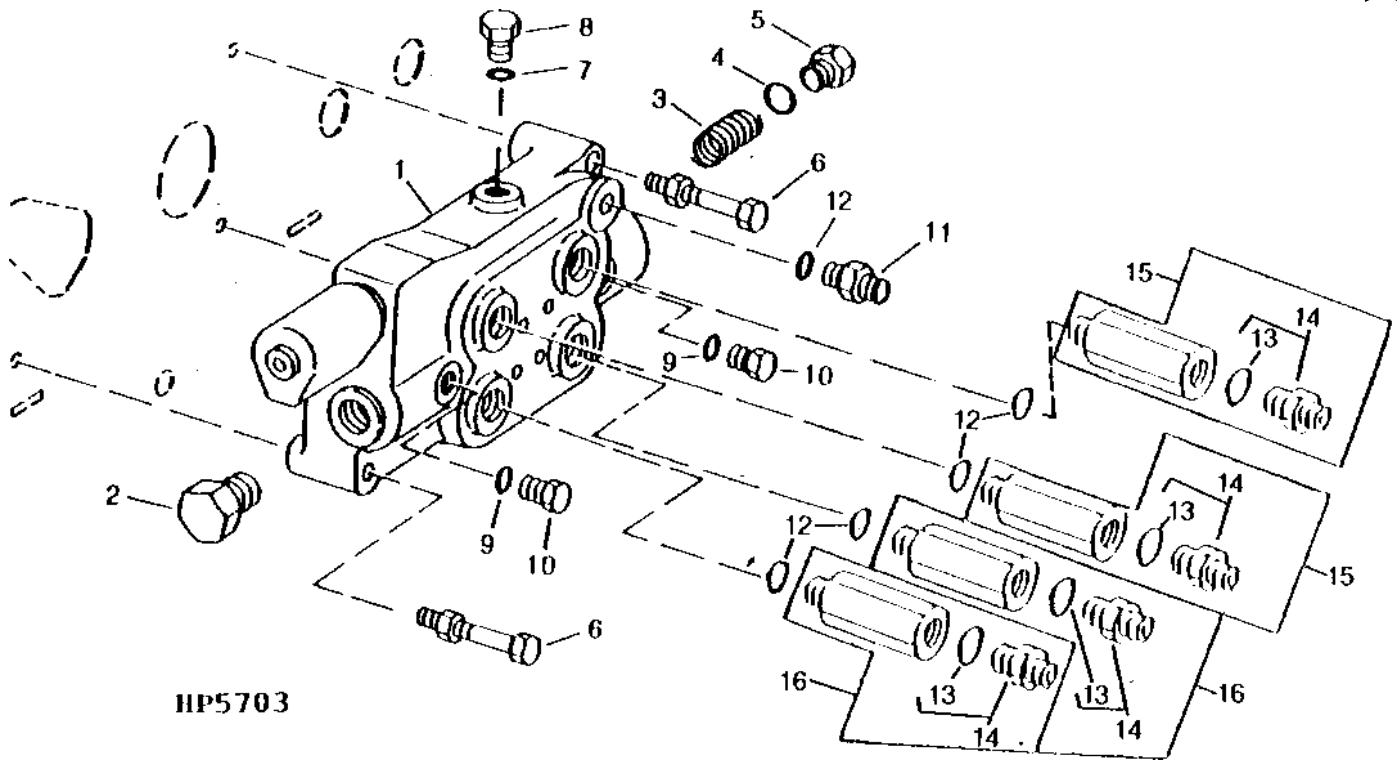
4E11

POWER TRAIN

STEERING ARMS - CONTINUED

| KEY | PART NO. | PART NAME | QTY | SERIAL NO. | REMARKS |
|-----|----------|--------------|-----|------------|---|
| 1 | R92977 | STEERING ARM | 1 | | L.H. |
| 2 | U41353 | WASHER | 2 | | 16.662 X 25.400 X 1.524 MM (21/32" X 1" X 0.060") |
| 3 | 19H2710 | CAP SCREW | 2 | | 5/8" X 1-3/4" |
| 4 | R32214 | WASHER | 2 | | 13.106 X 22.225 X 2.286 MM (33/64" X 7/8" X 0.090") |
| 5 | 19H2993 | CAP SCREW | 2 | | 1/2" X 1-1/2" |
| 6 | R92978 | STEERING ARM | 1 | | R.H. |

CONTROL VALVE (-655300)
(4-WHEEL DRIVE)
 HP5703 -UN-01JAN94

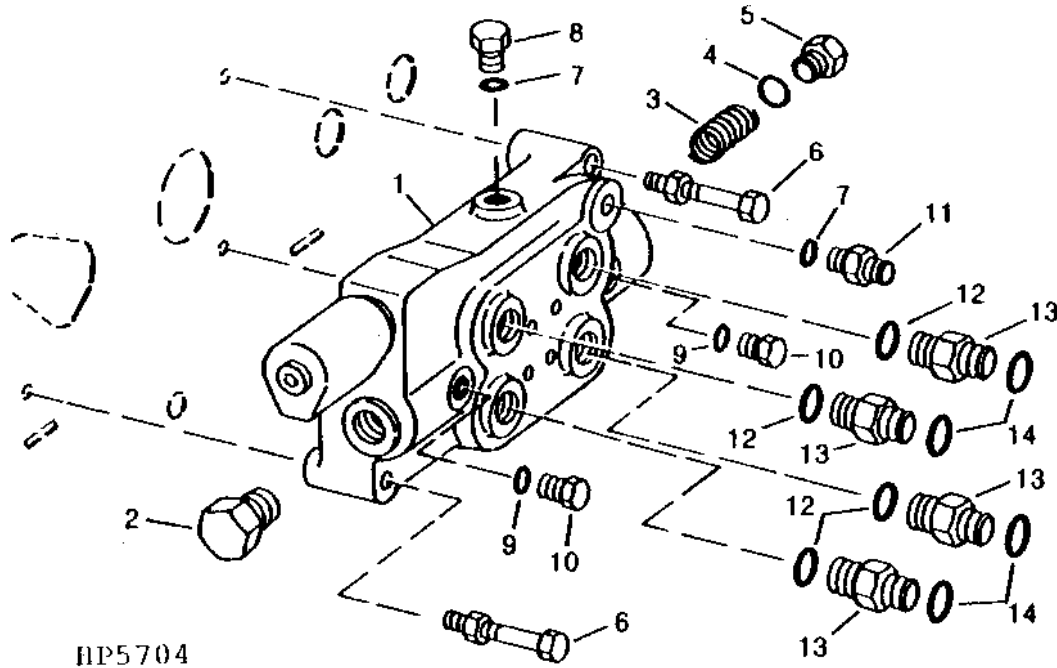


HP5703

| KEY | PART NO. | PART NAME | QTY | SERIAL NO. | REMARKS |
|-----|----------------|------------------------------------|----------|------------|---|
| 1 | AH128672 | VALVE | 1 | | CONTROL WITH SOLENOID |
| 2 | AU40993 | FITTING | 1 | | |
| 3 | R45182 | SPRING | 1 | | |
| 4 | R31674 | O-RING | 1 | | 25.070 X 2.616 MM (0.987" X 0.103") |
| 5 | AH84695 | FITTING | 1 | | |
| 6 | 19M7803 | SCREW | 3 | | M8 X 70 |
| | 14M7298 | FLANGE NUT | 3 | | M8 |
| 7 | R26448 | O-RING | 2 | | 11.887 X 1.981 MM (0.468" X 5/64") |
| 8 | R27218 | FITTING PLUG | 1 | | |
| 9 | R28782 | O-RING | 2 | | 8.915 X 1.829 MM (0.351" X 0.072") |
| 10 | R51031 | FITTING | 2 | | |
| 11 | 38H1168 | ADAPTER | 1 | | |
| 12 | U12547 | O-RING | 4 | | 23.470 X 2.946 MM (0.924" X 0.116") |
| 13 | H84318 | O-RING | 4 | | 31.420 X 2.616 MM (1.237" X 0.103") |
| 14 | AH140433 | FITTING | 4 | | INCLUDES H84318 O-RING |
| 15 | AH130950 | CONTROL VALVE | 2 | | REVERSE (WITH 1200 CC REAR MOTOR) OR WITH 1600 CC IF RING AND PINION FINAL DRIVE, PORTS "B" AND "D" |
| | AH121150 | CONTROL VALVE | 2 | | REVERSE (WITH 1600 CC REAR MOTOR) AND PLANETARY FINAL DRIVE, PORTS "B" AND "D" |
| 16 | AH121150 | CONTROL VALVE | 2 | | FORWARD (WITH 1200 CC REAR MOTOR) OR WITH 1600 CC IF RING AND PINION FINAL DRIVE, PORTS "A" AND "C" |
| | AH121149 | CONTROL VALVE | 2 | | FORWARD (WITH 1600 CC REAR MOTOR) AND PLANETARY FINAL DRIVE, PORTS "A" AND "C" |
| .. | BH79903 | COMPLETE GOODS/SHIP. BUNDLE | 1 | | VALVE ASSEMBLY AND AXLE HOSES |
| .. | BH71746 | COMPLETE GOODS/SHIP. BUNDLE | 1 | | 4-WHEEL DRIVE CONVERSION |
| .. | BH71883 | COMPLETE GOODS/SHIP. BUNDLE | 1 | | 4-WHEEL CONVERSION |
| .. | BH80002 | COMPLETE GOODS/SHIP. BUNDLE | 1 | | 4-WHEEL DRIVE CONVERSION |
| .. | BH80003 | COMPLETE GOODS/SHIP. BUNDLE | 1 | | 4-WHEEL CONVERSION |

4E13

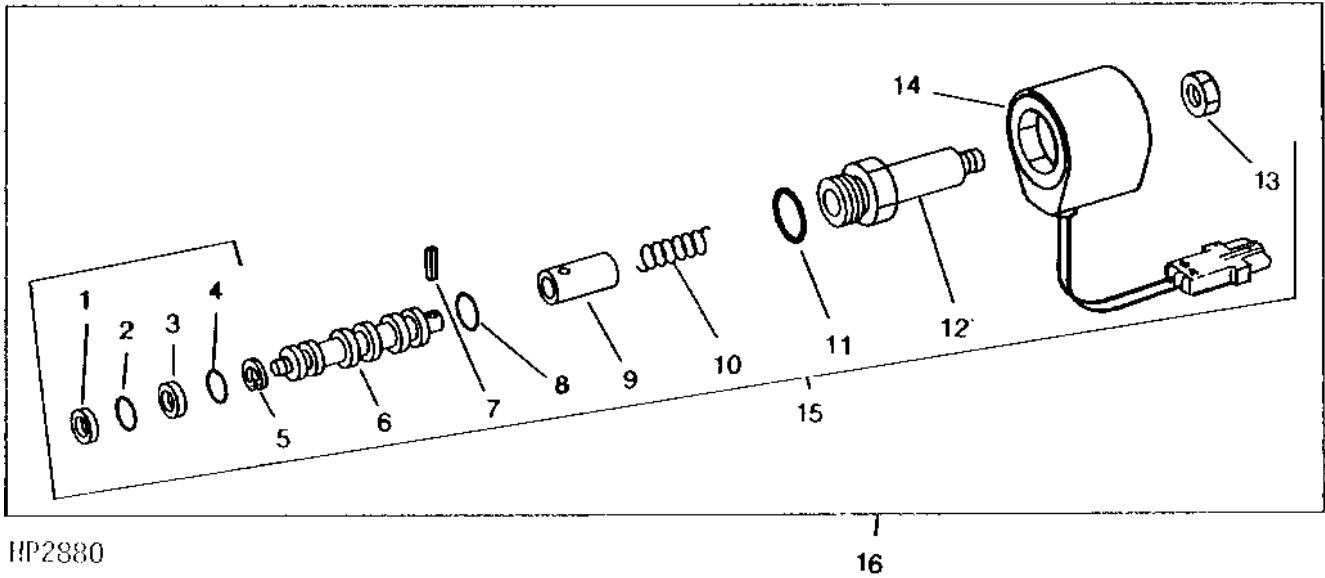
CONTROL VALVE (655301-)
 (4-WHEEL DRIVE)
 HP5704 -UN-01JAN94



| KEY | PART NO. | PART NAME | QTY | SERIAL NO. | REMARKS |
|-----|----------------|------------------------------------|----------|------------|--------------------------------------|
| 1 | AH128672 | VALVE | 1 | | CONTROL WITH SOLENOID |
| 2 | AU40993 | FITTING | 1 | | |
| 3 | R45182 | SPRING | 1 | | |
| 4 | R31674 | O-RING | 1 | | 25.070 X 2.616 MM (0.987" X 0.103") |
| 5 | AH84695 | FITTING | 1 | | |
| 6 | 14M7298 | FLANGE NUT | 3 | | M8 |
| | 19M7803 | SCREW | 3 | | M8 X 70 |
| 7 | R26448 | O-RING | 2 | | 11.887 X 1.981 MM (0.468" X 5/64") |
| 8 | R27218 | FITTING PLUG | 1 | | |
| 9 | R28782 | O-RING | 2 | | 8.915 X 1.829 MM (0.351" X 0.072") |
| 10 | R51031 | FITTING | 2 | | |
| 11 | 38H1168 | ADAPTER | 1 | | |
| 12 | U12547 | O-RING | 5 | | 23.470 X 2.946 MM (0.924" X 0.116") |
| 13 | 38H1329 | ADAPTER | 4 | | |
| 14 | T77932 | O-RING | 4 | | 15.596 X 1.778 MM (0.614" X 0.070") |
| .. | BH79903 | COMPLETE GOODS/SHIP. BUNDLE | 1 | | VALVE ASSEMBLY AND AXLE HOSES |
| .. | BH71746 | COMPLETE GOODS/SHIP. BUNDLE | 1 | | 4-WHEEL DRIVE CONVERSION |
| .. | BH71883 | COMPLETE GOODS/SHIP. BUNDLE | 1 | | 4-WHEEL CONVERSION |
| .. | BH80002 | COMPLETE GOODS/SHIP. BUNDLE | 1 | | 4-WHEEL CONVERSION |
| .. | BH80003 | COMPLETE GOODS/SHIP. BUNDLE | 1 | | 4-WHEEL CONVERSION |

**CONTROL VALVE SOLENOID
(4-WHEEL DRIVE)**

HP2880 -UN-01JAN94

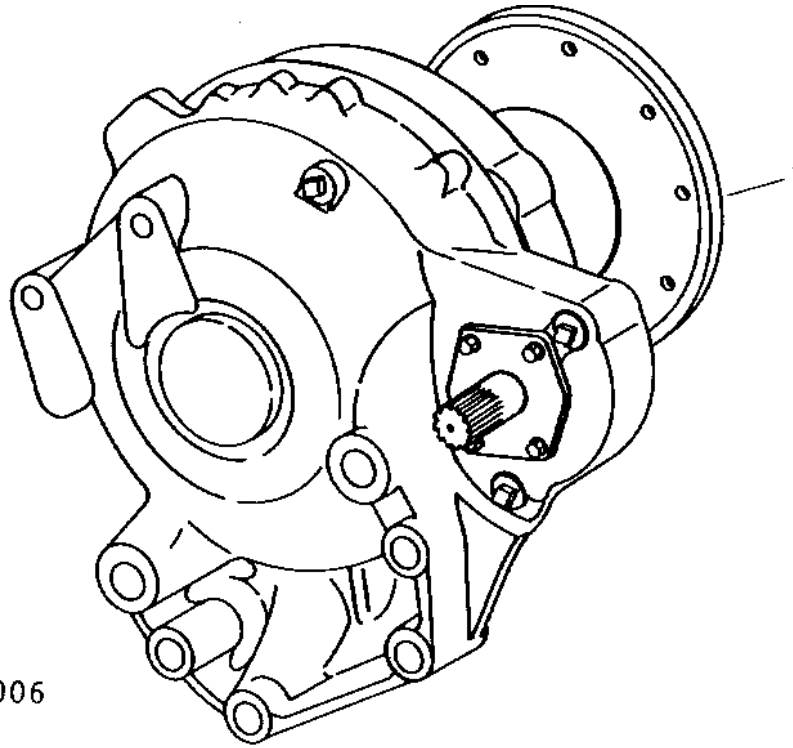


| KEY | PART NO. | PART NAME | QTY | SERIAL NO. | REMARKS |
|-----|----------|----------------------------|-----|------------|--|
| 1 | R42926 | BACK-UP RING | 1 | | |
| 2 | T77857 | O-RING | 1 | | 12.421 X 1.778 MM (0.489" X 0.070") (SUB FOR R45186) |
| 3 | R45187 | BACK-UP RING | 1 | | |
| 4 | R45638 | O-RING | 1 | | 15.596 X 1.778 MM (0.614" X 0.070") |
| 5 | R46701 | SNAP RING | 1 | | |
| 6 | | VALVE SPOOL | 1 | | |
| 7 | 34H227 | SPRING PIN | 1 | | 3/32" X 1/2" |
| 8 | N31772 | O-RING | 1 | | 18.771 X 1.778 MM (0.739" X 0.070") |
| 9 | | PLUNGER | 1 | | |
| 10 | R64698 | SPRING | 1 | | |
| 11 | U12547 | O-RING | 1 | | 23.470 X 2.946 MM (0.924" X 0.116") |
| 12 | | GUIDE | 1 | | |
| 13 | M63707 | LOCK NUT | 1 | | 6.350 MM (1/4") |
| 14 | AH128654 | ELECTRICAL COIL | 1 | | |
| | R78053 | PIN CONTACT CONNECTOR BODY | 1 | | (PKG OF 3) |
| | R78059 | ELECTRICAL PLUG | 1 | | (PKG OF 40) |
| | R78061 | PIN CONTACT | 1 | | (PKG OF 40) |
| 15 | AH130949 | SOLENOID VALVE | 1 | | |
| 16 | AH128655 | SOLENOID VALVE | 1 | | |

4E15

POWER TRAIN

FINAL DRIVE
(PLANETARY)
HP3006 -UN-01JAN94



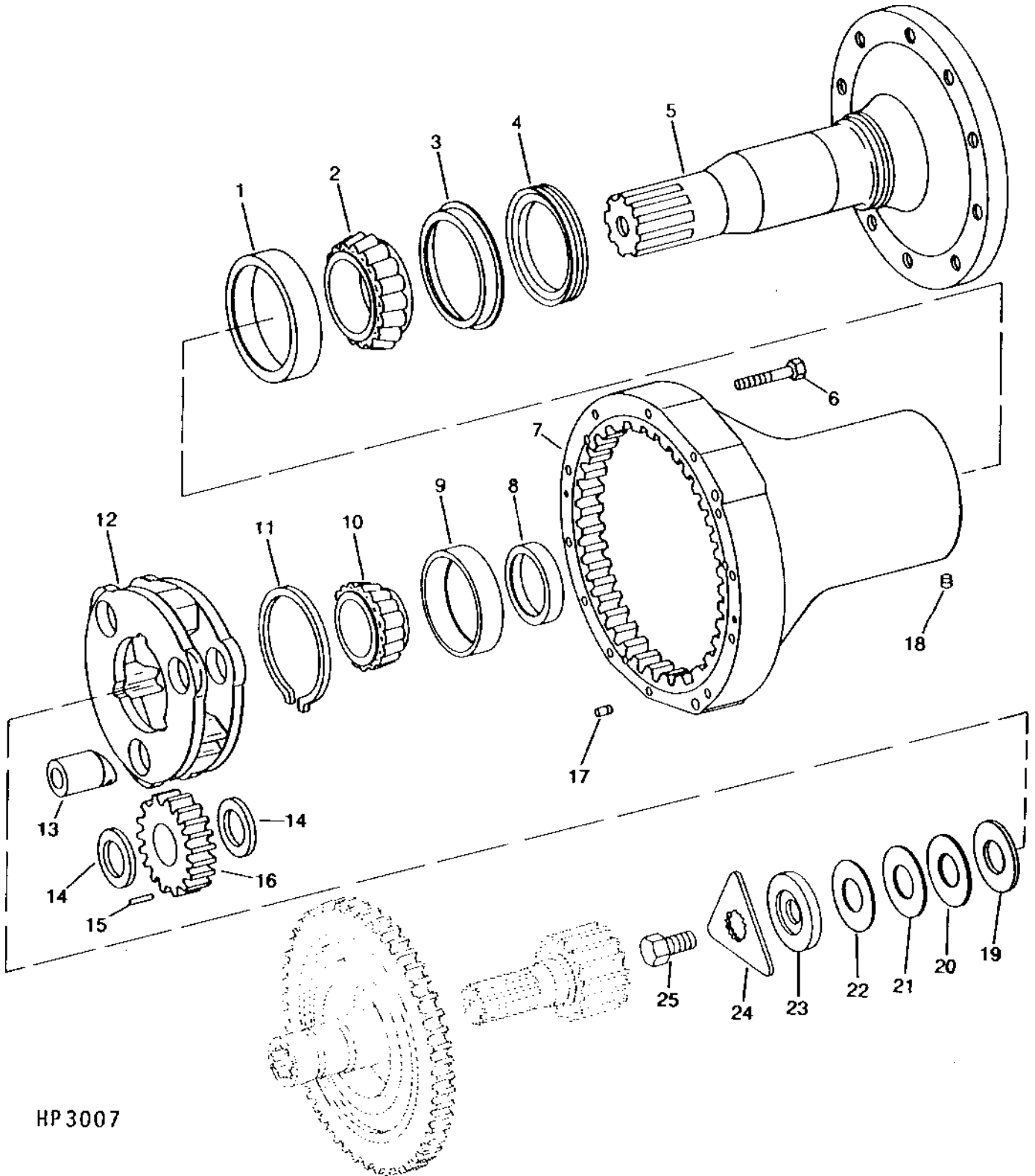
| KEY | PART NO. | PART NAME | QTY | SERIAL NO. | REMARKS |
|-----|----------|-----------|-----|------------|---------|
| 1 | AH122742 | GEAR | 1 | R.H. | |
| | AH122743 | GEAR | 1 | L.H. | |

4E16

POWER TRAIN

FINAL DRIVE AXLE SHAFT, OUTER HOUSING, PLANETARY PINION, AND BEARINGS (PLANETARY)

HP3007 -UN-01JAN94



HP 3007

4E17

POWER TRAIN

**FINAL DRIVE AXLE SHAFT, OUTER HOUSING, PLANETARY PINION, AND BEARINGS - CONTINUED
(PLANETARY)**

| KEY | PART NO. | PART NAME | QTY | SERIAL NO. | REMARKS |
|-----|----------|-----------------------|-----|------------|---|
| 1 | JD10135 | BEARING CUP | 1 | | |
| 2 | JD10134 | BEARING CONE | 1 | | |
| 3 | R90080 | OIL CUP | 1 | | |
| 4 | AH112401 | SEAL | 1 | | |
| 5 | H133344 | SPINDLE | 1 | | |
| 6 | 19M7845 | SCREW | 12 | M16 X 90 | |
| 7 | AH119092 | HOUSING | 1 | | |
| 8 | AR98650 | SEAL | 1 | | |
| 9 | JD9120 | BEARING CUP | 1 | | |
| 10 | JD8956 | BEARING CONE | 1 | | |
| 11 | R33029 | SNAP RING | 1 | | |
| 12 | R59933 | PLANET PINION CARRIER | 1 | | |
| 13 | R97998 | SHAFT | 3 | | |
| 14 | R33022 | THRUST WASHER | 6 | | 53.848 X 79.248 X 0.914 MM (2.120" X 3.120" X 0.036") |
| 15 | R61033 | NEEDLE ROLLER | 72 | | |
| 16 | R108996 | PLANET PINION | 3 | | (SUB FOR R59929) |
| 17 | R65499 | DOWEL PIN | 3 | | 11.506 X 31.750 MM (29/64" X 1-1/4") |
| 18 | JD7769 | LUBRICATION FITTING | 1 | | |
| 19 | F2380R | WASHER | 2 | | 26.200 X 52.400 X 1.524 MM (1.031" X 2.063" X 0.060") |
| 20 | R59440 | SHIM | AR | | |
| 21 | R59439 | SHIM | AR | | |
| 22 | R61461 | SHIM | AR | | |
| 23 | R72169 | SPACER | 1 | | |
| 24 | R26012 | LOCK PLATE | 1 | | |
| 25 | H125759 | SCREW | 1 | | 25.400 X 50.800 MM (1" X 2") |

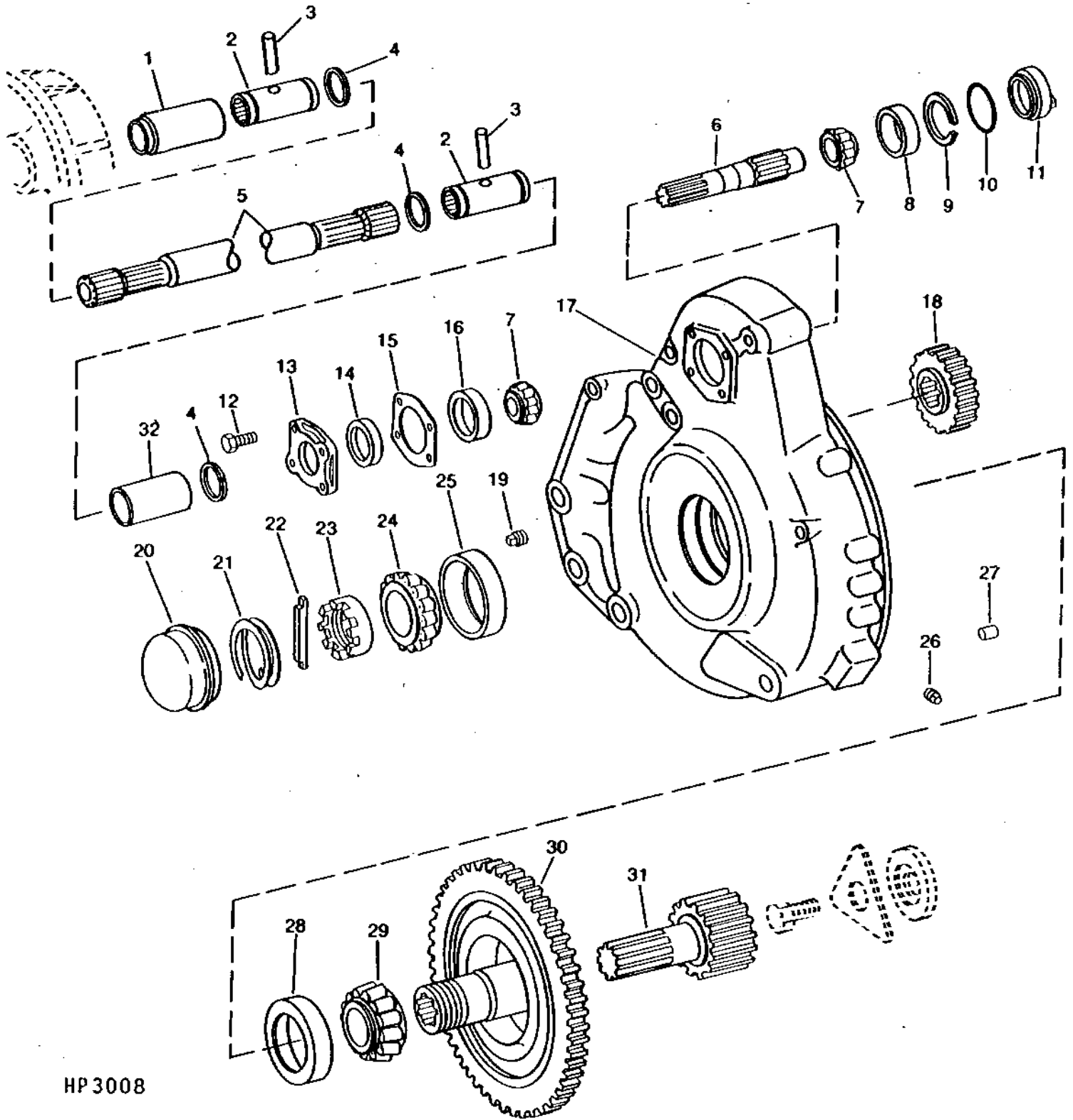
NOTE: QUANTITIES SHOWN ARE FOR ONE UNIT. TWO UNITS USED PER MACHINE.

4E18

POWER TRAIN

FINAL DRIVE PINION SHAFT, INNER HOUSING, GEARS AND BEARINGS (PLANETARY)

HP3008 -UN-01JAN94



HP 3008

4E19

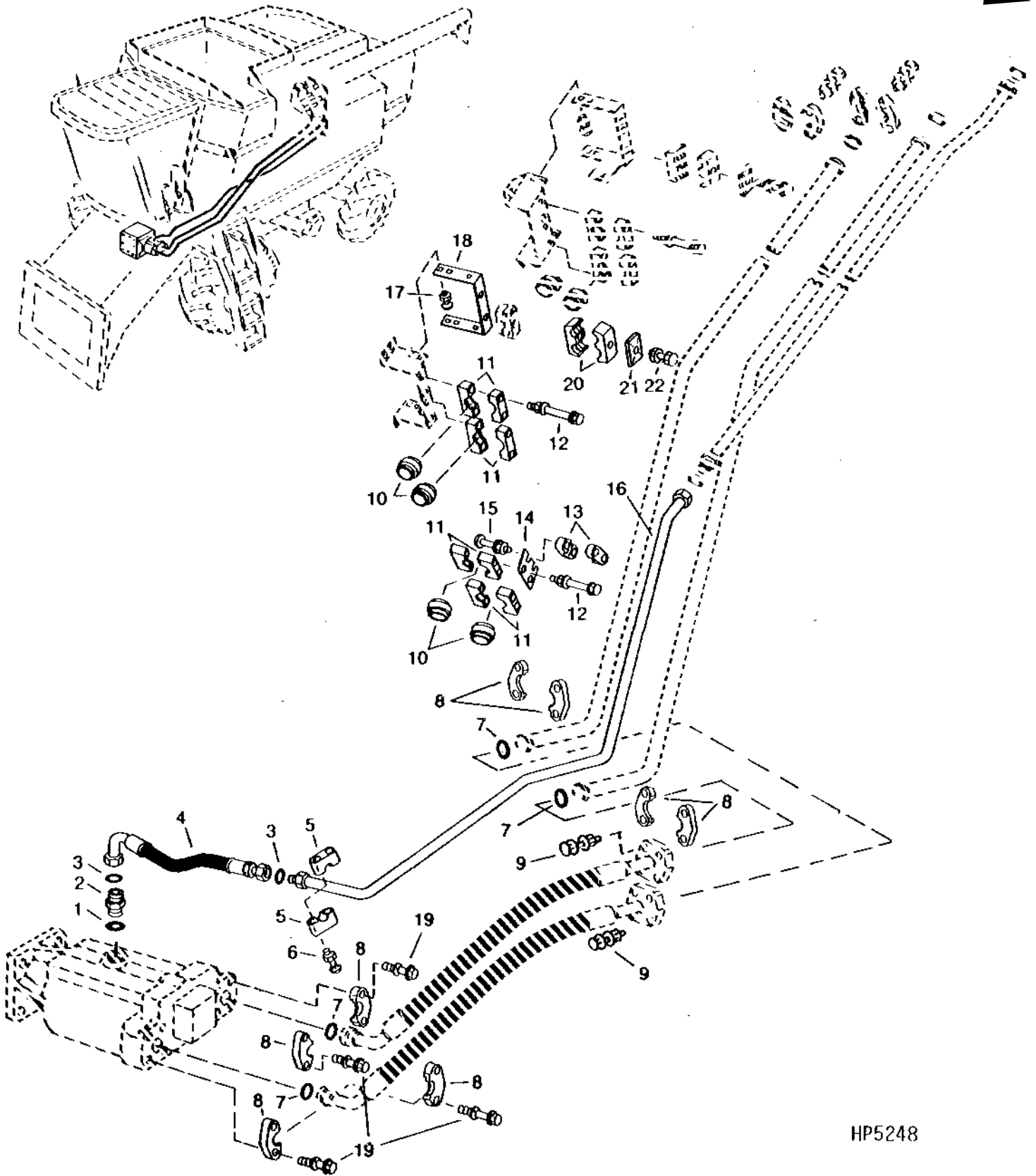
POWER TRAIN

**FINAL DRIVE PINION SHAFT, INNER HOUSING, GEARS AND BEARINGS - CONTINUED
(PLANETARY)**

| KEY | PART NO. | PART NAME | QTY | SERIAL NO. | REMARKS |
|-----|----------|-----------------------------|-----|------------|--|
| 1 | H134531 | SLEEVE | 1 | -31JA00 | |
| | H166201 | SLEEVE | 1 | 01FE00- | |
| 2 | H133231 | SPLINED COUPLING | 2 | | |
| 3 | H131754 | PIN | 2 | | 10 X 52 MM (0.394" X 2.047") |
| 4 | H133229 | SNAP RING | 3 | | |
| 5 | H136028 | DRIVE SHAFT | 1 | | R.H. 12-ROW |
| | H136029 | DRIVE SHAFT | 1 | | L.H. 12-ROW |
| 6 | H93674 | PINION SHAFT | 1 | | |
| 7 | JD7222 | BEARING CONE | 2 | | |
| 8 | JD7294 | BEARING CUP | 1 | | |
| 9 | P45313 | SNAP RING | 1 | | |
| 10 | U12331 | O-RING | 1 | | 69.444 X 3.531 MM (2-47/64" X 0.139") |
| 11 | H93675 | CAP | 1 | | |
| 12 | 19M7786 | SCREW | 4 | | M10 X 30 |
| 13 | H93676 | BEARING HOUSING W/O BEARING | 1 | | |
| 14 | AH81622 | SEAL | 1 | | |
| 15 | H75713 | SHIM | AR | -638116 | (SUB AH138565) PLASTIC, .127 MM (0.005") |
| | H75714 | SHIM | AR | -638116 | (SUB AH138565) STEEL, .254 MM (0.010") |
| | H75715 | SHIM | AR | -638116 | (SUB AH138565) STEEL, .508 MM (0.020") |
| 16 | JD8285 | BEARING CUP | 1 | | |
| 17 | H125305 | HOUSING | 1 | | L.H. |
| | H125306 | HOUSING | 1 | | R.H. |
| 18 | H121932 | PINION | 1 | | 21-TOOTH |
| 19 | P46369 | FITTING | 1 | | (SUB FOR H154722) |
| 20 | H76441 | CAP | 1 | | (SUB FOR H154721) |
| 21 | P48703 | SNAP RING | 1 | | |
| 22 | H93681 | KEY | 1 | | |
| 23 | H103538 | NUT | 1 | | |
| 24 | JD9091 | BEARING CONE | 1 | | |
| 25 | JD9146 | BEARING CUP | 1 | | |
| 26 | 15H237 | PIPE PLUG | 2 | | 1/2" |
| 27 | R54380 | DOWEL PIN | 2 | | |
| 28 | JD9132 | BEARING CUP | 1 | | |
| 29 | JD9075 | BEARING CONE | 1 | | |
| 30 | H158946 | GEAR | 1 | | (SUB FOR AH126532) |
| 31 | H129715 | PINION | 1 | | |
| 32 | H134444 | SLEEVE | 1 | | |

4E20

HYDROSTATIC DRIVE OIL LINES AND HOSES, LOWER
(TWO AND FOUR WHEEL DRIVE)
(-655300)
HP5248 -UN-01JAN94



HP5248

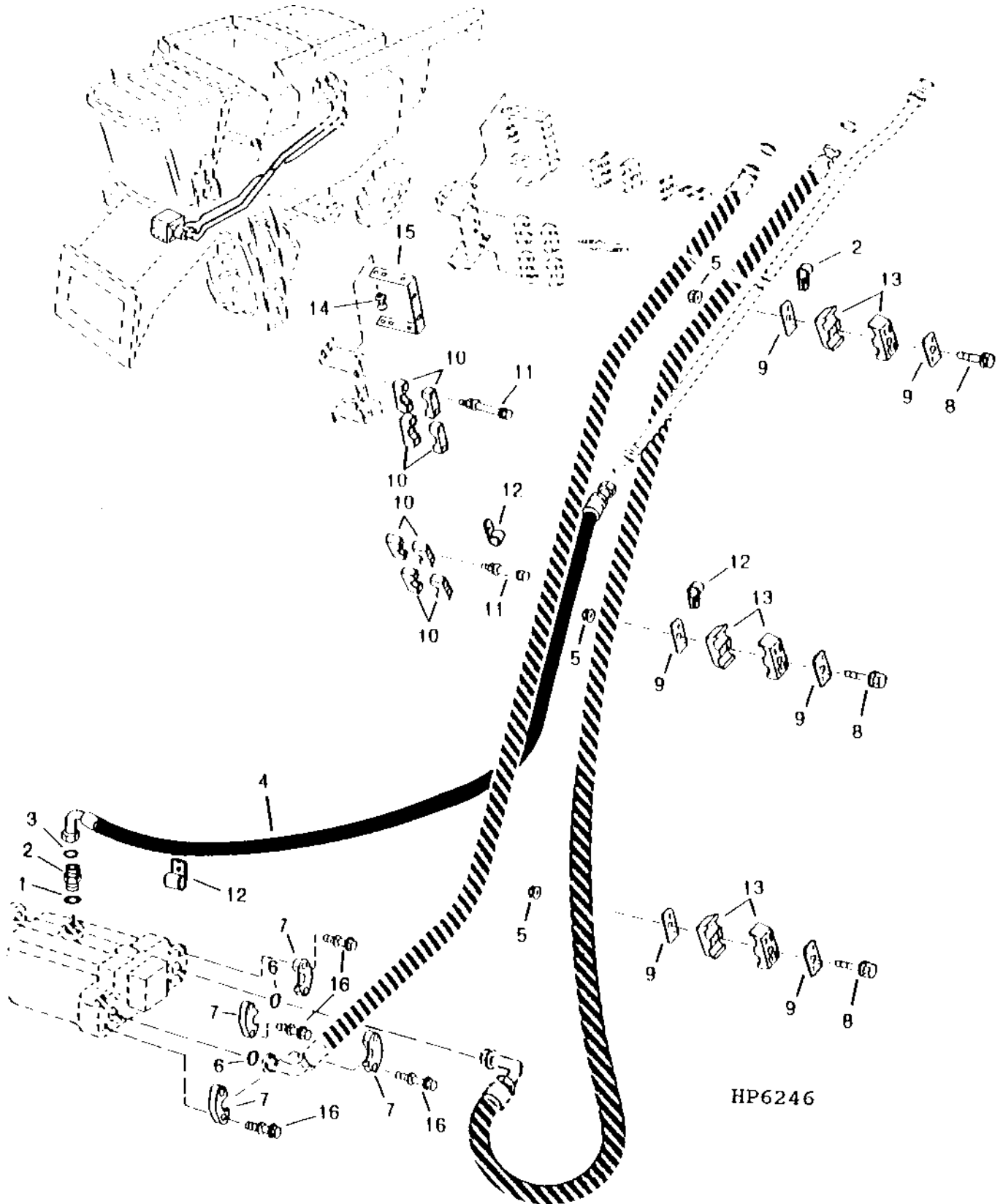
HYDROSTATIC DRIVE OIL LINES AND HOSES, LOWER - CONTINUED
 (TWO AND FOUR WHEEL DRIVE)
 (-655300)

| KEY | PART NO. | PART NAME | QTY | SERIAL NO. | REMARKS |
|-----|----------|-----------------------|-----|------------|---|
| 1 | U12547 | O-RING | 1 | | 23.470 X 2.946 MM (0.924" X 0.116") |
| 2 | 38H1163 | ADAPTER | 1 | | |
| 3 | T77858 | O-RING | 4 | | 18.771 X 1.778 MM (0.739" X 0.070") |
| 4 | AH128997 | HYDRAULIC HOSE | 1 | | 1-3/16" X 460 MM (18") X 1-3/16" (CASE DRAIN) |
| 5 | H114876 | CLAMP | 2 | | |
| 6 | 03M7216 | BOLT | 2 | | M8 X 50 (RD. HEAD) |
| | 14M7298 | FLANGE NUT | 2 | | M8 |
| 7 | T78313 | O-RING | 6 | | 32.918 X 3.531 MM (1.296" X 0.139") |
| 8 | H122182 | EXTERNAL HALF COUPLER | 8 | | |
| 9 | 19H3465 | CAP SCREW | 8 | | 7/16" X 3" |
| | T105740 | WASHER | 16 | | 11.400 X 25.400 X 2.286 MM |
| | 14H1047 | NUT | 8 | | 7/16" |
| 10 | H126582 | ISOLATOR | 6 | | (RUBBER) - NOT REQ WITH H140180 |
| 11 | H140180 | CLAMP | 12 | | (SUB FOR H131154) |
| 12 | 19M8039 | SCREW | 12 | | M8 X 80 |
| | 14M7396 | LOCK NUT | 12 | | M8 |
| 13 | H114876 | CLAMP | 2 | | |
| 14 | H131155 | BRACKET | 1 | | |
| 15 | 03M7216 | BOLT | 2 | | M8 X 50 (RD. HEAD) |
| | 14M7298 | FLANGE NUT | 2 | | M8 |
| 16 | AH135029 | HYDRAULIC LINE | 1 | | (CASE DRAIN) |
| 17 | 03M7184 | BOLT | 8 | | M8 X 20 (RD. HEAD) |
| | 14M7396 | LOCK NUT | 8 | | M8 |
| 18 | H131115 | BRACKET | 1 | | |
| 19 | 19H1740 | CAP SCREW | 8 | | 7/16" X 1-3/4" |
| | 12H293 | LOCK WASHER | 8 | | 7/16" |
| 20 | H114897 | CLAMP | 2 | | |
| 21 | H112567 | PLATE | 1 | | |
| 22 | 19M7913 | SCREW | 1 | | M8 X 90 |
| | 14M7298 | FLANGE NUT | 1 | | M8 |

4E22

HYDROSTATIC DRIVE OIL LINES AND HOSES, LOWER (FOUR WHEEL DRIVE)

(655301-)
HP6246 -UN-04JAN96



4E23

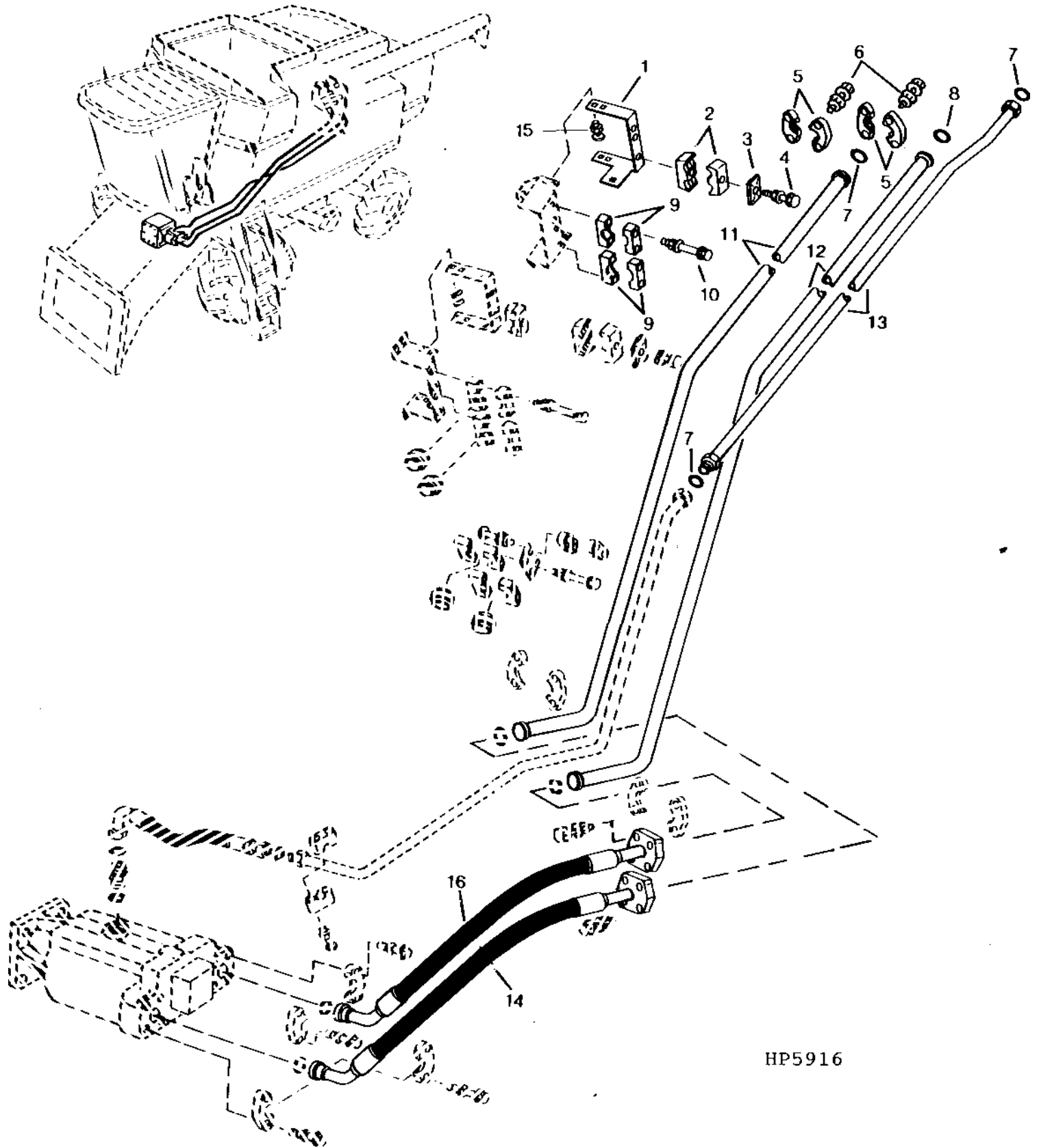
POWER TRAIN

**HYDROSTATIC DRIVE OIL LINES AND HOSES, LOWER - CONTINUED
(TWO WHEEL DRIVE)
(655301-)**

| KEY | PART NO. | PART NAME | QTY | SERIAL NO. | REMARKS |
|-----|----------|-----------------------|-----|------------|---|
| 1 | U12547 | O-RING | 1 | | 23.470 X 2.946 MM (0.924" X 0.116") |
| 2 | 38H1163 | ADAPTER | 1 | | |
| 3 | T77858 | O-RING | 4 | | 18.771 X 1.778 MM (0.739" X 0.070") |
| 4 | AH142611 | HYDRAULIC HOSE | 1 | | 1-3/16" X 1 924 MM (75-3/4") X 1-3/16" (CASE DRAIN) |
| 5 | 14M7298 | FLANGE NUT | 3 | | M8 |
| 6 | T78313 | O-RING | 6 | | 32.918 X 3.531 MM (1.296" X 0.139") |
| 7 | H122182 | EXTERNAL HALF COUPLER | 8 | | |
| 8 | 19M7970 | SCREW | 3 | | M8 X 100 |
| 9 | H114901 | PLATE | 6 | | |
| 10 | H150223 | HOSE CLAMP | 8 | | |
| 11 | 19M8039 | SCREW | 13 | | M8 X 80 |
| | 14M7396 | LOCK NUT | 13 | | M8 |
| 12 | T72393 | CLAMP | 4 | | |
| 13 | H150222 | HOSE CLAMP | 6 | | (RD. HEAD) |
| 14 | 03M7184 | BOLT | 8 | | M8 X 20 (RD. HEAD) |
| | 14M7396 | LOCK NUT | 8 | | M8 |
| 15 | H131115 | BRACKET | 1 | | |
| 16 | 19H1740 | CAP SCREW | 8 | | 7/16" X 1-3/4" |
| | 12H293 | LOCK WASHER | 8 | | 7/16" |

4E24

HYDROSTATIC DRIVE OIL LINES AND HOSES, LOWER
(TWO AND FOUR WHEEL DRIVE)
(-655300)
HP5916 -UN-14FEB95



HP5916

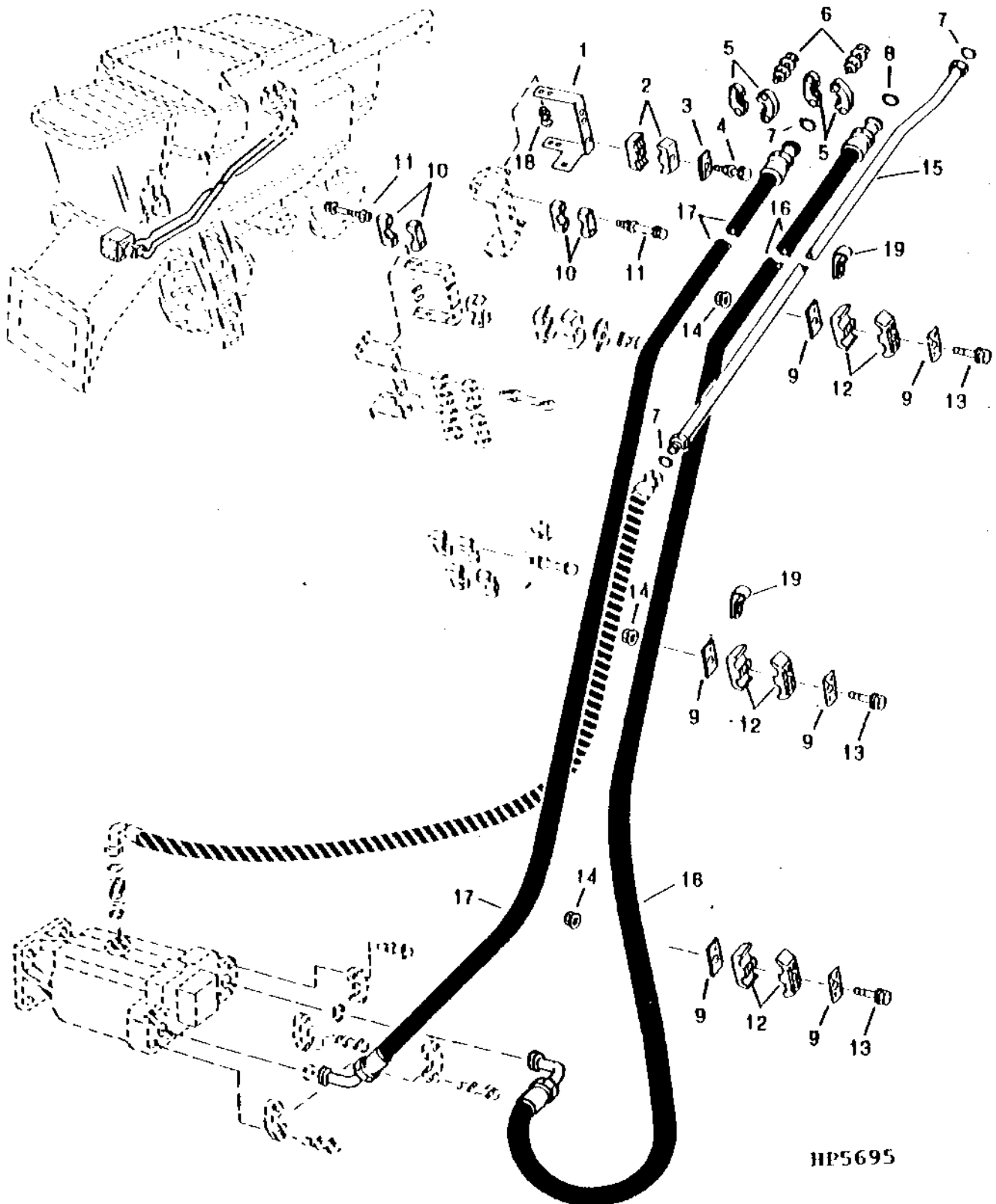
HYDROSTATIC DRIVE OIL LINES AND HOSES, LOWER - CONTINUED
(TWO AND FOUR WHEEL DRIVE)
(-655300)

| KEY | PART NO. | PART NAME | QTY | SERIAL NO. | REMARKS |
|-----|----------|-----------------------|-----|---|--|
| 1 | H133659 | BRACKET | 1 | | |
| 2 | H111730 | CLAMP | 2 | | |
| 3 | H112567 | PLATE | 1 | | |
| 4 | 19M7979 | SCREW | 1 | M8 X 55 | |
| | 14M7298 | FLANGE NUT | 1 | M8 | |
| 5 | H122182 | EXTERNAL HALF COUPLER | 4 | | |
| 6 | 19H3465 | CAP SCREW | 8 | 7/16" X 3" | |
| | T105740 | WASHER | 16 | 11.400 X 25.400 X 2.286 MM (0.449" X 1" X 0.090") | |
| | 14H1047 | NUT | 8 | 7/16", (SUB FOR 14M7296) | |
| 7 | T77858 | O-RING | 2 | 18.771 X 1.778 MM (0.739" X 0.070") | |
| 8 | T78313 | O-RING | 2 | 32.918 X 3.531 MM (1.296" X 0.139") | |
| 9 | H140180 | CLAMP | 4 | (SUB FOR H131154) | |
| 10 | 19M8039 | SCREW | 4 | M8 X 80 | |
| | 14M7298 | FLANGE NUT | 4 | | |
| 11 | AH126195 | HYDRAULIC LINE | 1 | -631802 | (SUB AH134972, AH134949 AND AH144192) REVERSE PRESSURE - TOP LINE |
| | AH134972 | OIL LINE | 1 | 631803- | REVERSE PRESSURE - TOP LINE |
| | AH134949 | HYDRAULIC HOSE | 1 | 631803- | |
| | AH141545 | HOSE | 1 | 631803- | |
| 12 | AH126194 | HYDRAULIC LINE | 1 | -631802 | FORWARD PRESSURE - BOTTOM LINE |
| | AH134971 | OIL LINE | 1 | 631803- | FORWARD PRESSURE - BOTTOM LINE |
| 13 | AH127881 | OIL LINE | 1 | | UPPER CASE DRAIN |
| 14 | AH141546 | HOSE | 1 | | 1" X 960 MM (37-3/4") X 1", (REVERSE PRESSURE) TO FRONT PORT ON MOTOR |
| 15 | 03M7184 | BOLT | 4 | | M8 X 20 |
| | 14M7396 | LOCK NUT | 4 | | M8 |
| 16 | AH141547 | HYDRAULIC HOSE | 1 | | 1-7/16" X 865 MM (34") X 1-7/16", (FORWARD PRESSURE) TO REAR PORT ON MOTOR |

4F1

HYDROSTATIC DRIVE OIL LINES AND HOSES, LOWER (FOUR WHEEL DRIVE)

(655301-)
HP5695 -UN-01JAN94



HP5695

4F2

POWER TRAIN

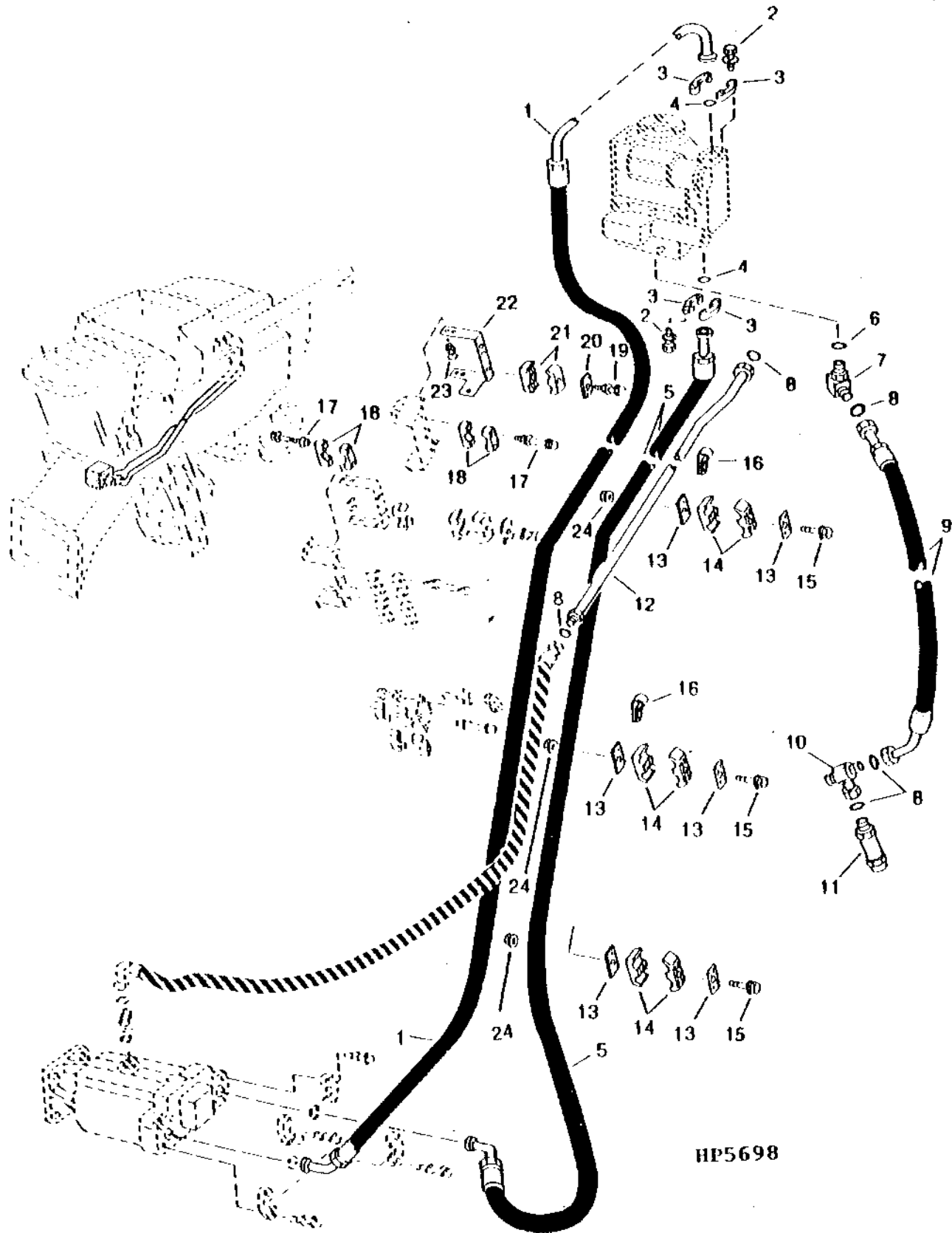
**HYDROSTATIC DRIVE OIL LINES AND HOSES, LOWER - CONTINUED
(FOUR WHEEL DRIVE)
(655301-)**

| KEY | PART NO. | PART NAME | QTY | SERIAL NO. | REMARKS |
|-----|----------------|------------------------------------|----------|---|---|
| 1 | H133659 | BRACKET | 1 | | |
| 2 | H111730 | CLAMP | 2 | | |
| 3 | H112567 | PLATE | 1 | | |
| 4 | 19M7979 | SCREW | 1 | M8 X 55 | |
| | 14M7298 | FLANGE NUT | 1 | M8 | |
| 5 | H122182 | EXTERNAL HALF COUPLER | 4 | | |
| 6 | 19H3465 | CAP SCREW | 8 | 7/16" X 3" | |
| | T105740 | WASHER | 16 | 11.400 X 25.400 X 2.286 MM (0.449" X 1" X 0.090") | |
| | 14H1047 | NUT | 8 | 7/16" | |
| 7 | T77858 | O-RING | 2 | 18.771 X 1.778 MM (0.739" X 0.070") | |
| 8 | T78313 | O-RING | 2 | 32.918 X 3.531 MM (1.296" X 0.139") | |
| 9 | H114901 | PLATE | 6 | | |
| 10 | H150223 | HOSE CLAMP | 4 | | |
| 11 | 19M8039 | SCREW | 5 | M8 X 80 | |
| | 14M7298 | FLANGE NUT | 5 | M8 | |
| 12 | H150222 | HOSE CLAMP | 6 | | |
| 13 | 19M7970 | SCREW | 2 | M8 X 100 | |
| 14 | 14M7298 | FLANGE NUT | 3 | M8 | |
| 15 | AH127881 | OIL LINE | 4 | | |
| 16 | AH143353 | HYDRAULIC HOSE | 1 | | 1" X 4 375 MM (172-1/4") X 1", FORWARD PRESSURE |
| 17 | AH142758 | HYDRAULIC HOSE | 1 | | 1" X 3 875 MM (152-1/2") X 1", REVERSE PRESSURE |
| 18 | 03M7184 | BOLT | 4 | M8 X 20 | |
| | 14M7396 | LOCK NUT | 4 | M8 | |
| 19 | T72393 | CLAMP | 2 | | |
| .. | BH79964 | COMPLETE GOODS/SHIP. BUNDLE | 1 | 4 WHEEL DRIVE HYDRAULIC HOSES | |

4F3

HYDROSTATIC DRIVE OIL LINES AND HOSES, LOWER (TWO WHEEL DRIVE)

(655301-)
HP5698 -UN-01JAN94



HP5698

4F4

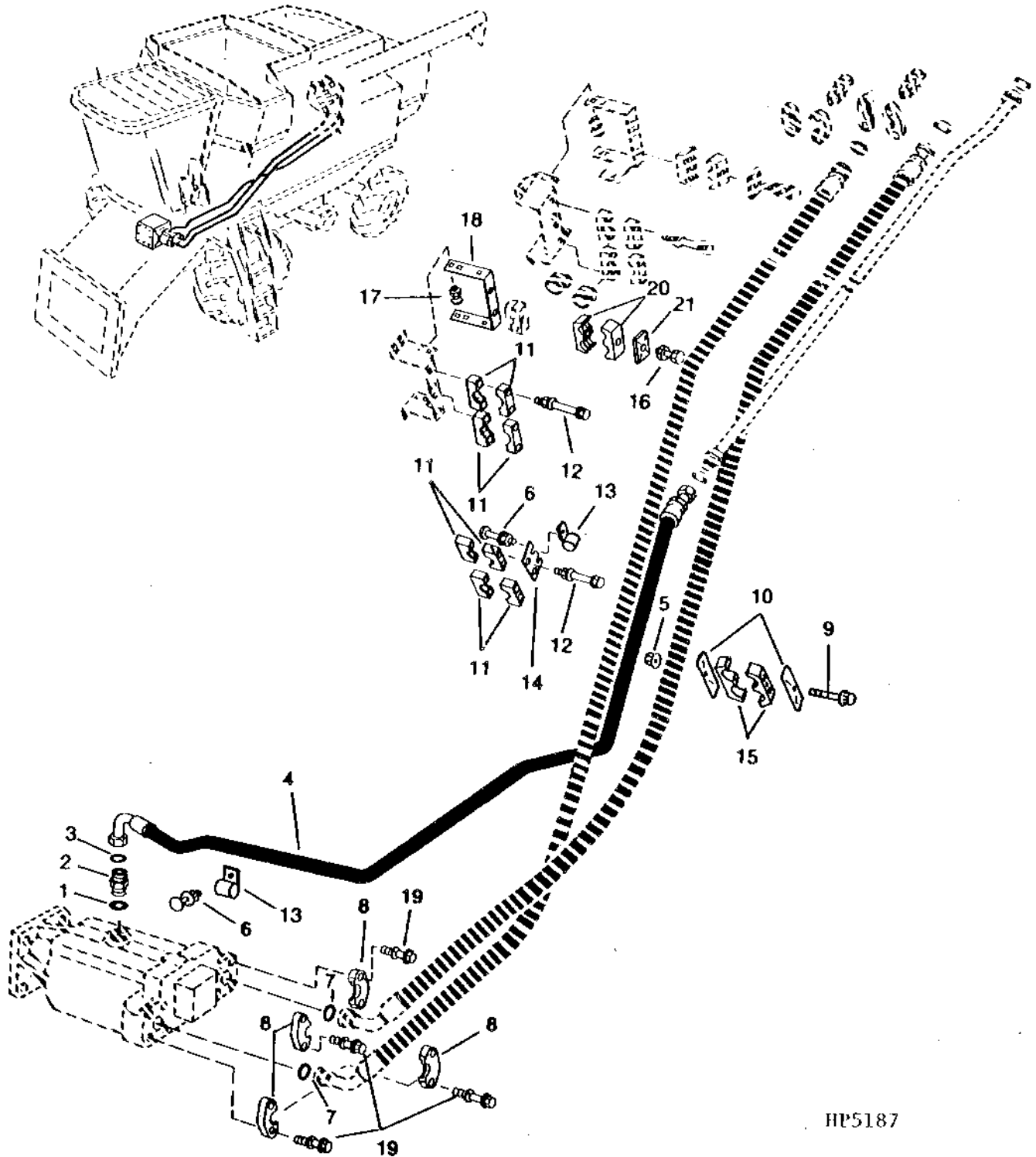
**HYDROSTATIC DRIVE OIL LINES AND HOSES, LOWER - CONTINUED
(TWO WHEEL DRIVE)
(655301-)**

| KEY | PART NO. | PART NAME | QTY | SERIAL NO. | REMARKS |
|-----|----------|-----------------------|-----|------------|--|
| 1 | AH143035 | HYDRAULIC HOSE | 1 | | 1" X 5 000 MM (196-3/4") X 1", (REVERSE PRESSURE) |
| 2 | 19H1740 | CAP SCREW | 8 | | 7/16" X 1-3/4" |
| | 12H293 | LOCK WASHER | 8 | | 7/16" |
| 3 | H122182 | EXTERNAL HALF COUPLER | 4 | | |
| 4 | T78313 | O-RING | 2 | | 32.918 X 3.531 MM |
| 5 | AH143352 | HYDRAULIC HOSE | 4 | | 1" X 5 175 MM (203-3/4") X 1", (FORWARD PRESSURE) |
| 6 | U12547 | O-RING | 1 | | 0.924" X 0.116" |
| 7 | 38H1007 | ELBOW FITTING | 1 | | |
| 8 | T77858 | O-RING | 4 | | 18.771 X 1.778 MM (0.739" X 0.070") |
| 9 | AH124008 | HYDRAULIC HOSE | 1 | | 1-3/16" X 725 MM (28-1/2") X 1-3/16", (UPPER DRAIN HOSE) |
| 10 | 38H1041 | TEE FITTING | 1 | | |
| 11 | AH118337 | CHECK VALVE | 1 | | |
| 12 | AH127881 | OIL LINE | 1 | | |
| 13 | H114901 | PLATE | 4 | | |
| 14 | H150222 | HOSE CLAMP | 6 | | |
| 15 | 19M7970 | SCREW | 2 | | M8 X 100 |
| 16 | T72393 | CLAMP | 1 | | (SUB T72393) |
| 17 | 19M8039 | SCREW | 5 | | M8 X 80 |
| | 14M7298 | FLANGE NUT | 5 | | M8 |
| 18 | H150223 | HOSE CLAMP | 4 | | |
| 19 | 19M7979 | SCREW | 1 | | M8 X 55 |
| | 14M7298 | FLANGE NUT | 1 | | M8 |
| 20 | H112567 | PLATE | 1 | | |
| 21 | H111730 | CLAMP | 2 | | |
| 22 | H133659 | BRACKET | 1 | | |
| 23 | 03M7184 | BOLT | 4 | | M8 X 20 |
| | 14M7396 | LOCK NUT | 4 | | M8 |
| 24 | 14M7298 | FLANGE NUT | 2 | | M8 |

4F5

HYDROSTATIC DRIVE OIL LINES AND HOSES, LOWER (FRANCE)

HP5187 -UN-01JAN94



HP5187

4F6

**HYDROSTATIC DRIVE OIL LINES AND HOSES, LOWER - CONTINUED
(FRANCE)**

| KEY | PART NO. | PART NAME | QTY | SERIAL NO. | REMARKS |
|-----|----------|-----------------------|-----|------------|---|
| 1 | U12547 | O-RING | 1 | | 23.470 X 2.946 MM (0.924" X 0.116") |
| 2 | 38H1163 | ADAPTER | 1 | | |
| 3 | T77858 | O-RING | 1 | | 18.771 X 1.778 MM (0.739" X 0.070") |
| 4 | AH142611 | HYDRAULIC HOSE | 1 | | 1-3/16" X 1 9/24 MM (75-3/4") X 1-3/16" |
| 5 | 14M7298 | FLANGE NUT | 2 | | M8 |
| 6 | 03M7184 | BOLT | 2 | | M8 X 20 |
| | 14M7298 | FLANGE NUT | 2 | | M8 |
| 7 | T78313 | O-RING | 2 | | 32.918 X 3.531 MM (1.296" X 0.139") |
| 8 | H122182 | EXTERNAL HALF COUPLER | 4 | | |
| 9 | 19M7970 | SCREW | 1 | -651285 | M8 X 100 |
| | 19M8039 | SCREW | 1 | 651286- | M8 X 80 |
| 10 | H114901 | PLATE | 2 | | |
| 11 | H148650 | CLAMP | 8 | | |
| 12 | 19M8039 | SCREW | 8 | -651285 | M8 X 80 |
| | 19M7913 | SCREW | 8 | 651286- | M8 X 90 |
| | 14M7396 | LOCK NUT | 8 | | M8 |
| 13 | T72393 | CLAMP | 3 | | |
| 14 | H131155 | BRACKET | 1 | | |
| 15 | H148646 | CLAMP | 2 | | |
| 16 | 19M7913 | SCREW | 1 | | M8 X 90 |
| | 14M7298 | FLANGE NUT | 1 | | M8 |
| 17 | 03M7184 | BOLT | 8 | | M8 X 20 |
| | 14M7396 | LOCK NUT | 8 | | M8 |
| 18 | H131115 | BRACKET | 1 | | |
| 19 | 19H1740 | CAP SCREW | 8 | | 7/16" X 1-3/4" |
| | 12H293 | LOCK WASHER | 8 | | 7/16" |
| 20 | H114897 | CLAMP | 2 | | |
| 21 | H112567 | PLATE | 1 | | |

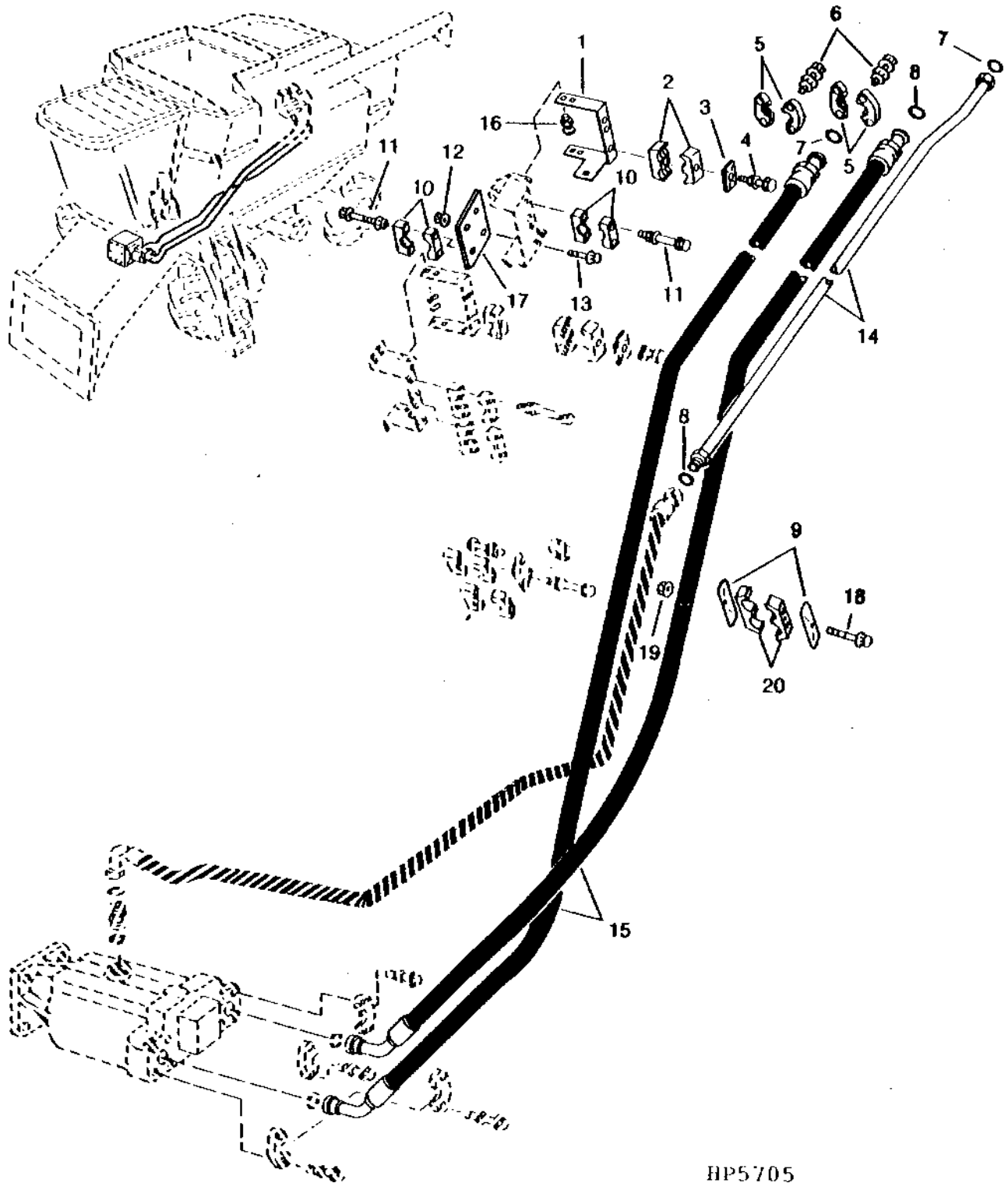
4F7

HYDROSTATIC DRIVE OIL LINES AND HOSES, UPPER

(FRANCE)

HP5705

-UN-01JAN94



HP5705

HYDROSTATIC DRIVE OIL LINES AND HOSES, UPPER-CONTINUED
(FRANCE)

| KEY | PART NO. | PART NAME | QTY | SERIAL NO. | REMARKS |
|-----|----------|-----------------------|-----|------------|---|
| 1 | H133659 | BRACKET | 1 | | |
| 2 | H111730 | CLAMP | 2 | | |
| 3 | H112567 | PLATE | 1 | | |
| 4 | 19M7979 | SCREW | 1 | | M8 X 55 |
| | 14M7298 | FLANGE NUT | 1 | | M8 |
| 5 | H122182 | EXTERNAL HALF COUPLER | 4 | | |
| 6 | 19H3465 | CAP SCREW | 8 | | 7/16" X 3" |
| | T105740 | WASHER | 16 | | 11.400 X 25.400 X 2.286 MM (0.449" X 1" X 0.090") |
| | 14H1047 | NUT | 8 | | 7/16" |
| 7 | T77858 | O-RING | 2 | | 18.771 X 1.778 MM (0.739" X 0.070") |
| 8 | T78313 | O-RING | 2 | | 32.918 X 3.531 MM (1.296" X 0.139") |
| 9 | H114901 | PLATE | 2 | | |
| 10 | H148650 | CLAMP | 4 | | |
| 11 | 19M8039 | SCREW | 4 | -651285 | M8 X 80 |
| | 19M7913 | SCREW | 4 | 651286- | M8 X 90 |
| 12 | 14M7298 | FLANGE NUT | 2 | | M8 |
| 13 | 19M7865 | SCREW | 2 | | M8 X 16 |
| 14 | AH127881 | OIL LINE | 1 | | UPPER CASE DRAIN |
| 15 | AH142758 | HYDRAULIC HOSE | 2 | | 1" X 3 875 MM (152-1/2") X 1" |
| 16 | 03M7184 | BOLT | 4 | | M8 X 20 |
| | 14M7396 | LOCK NUT | 4 | | M8 |
| 17 | H150091 | BRACKET | 1 | | (SUB FOR H148717) |
| 18 | 19M7970 | SCREW | 1 | -651285 | M8 X 100 |
| | 19M8039 | SCREW | 1 | 651286- | M8 X 80 |
| 19 | 14M7298 | FLANGE NUT | 1 | | M8 |
| 20 | H148646 | CLAMP | 2 | | |

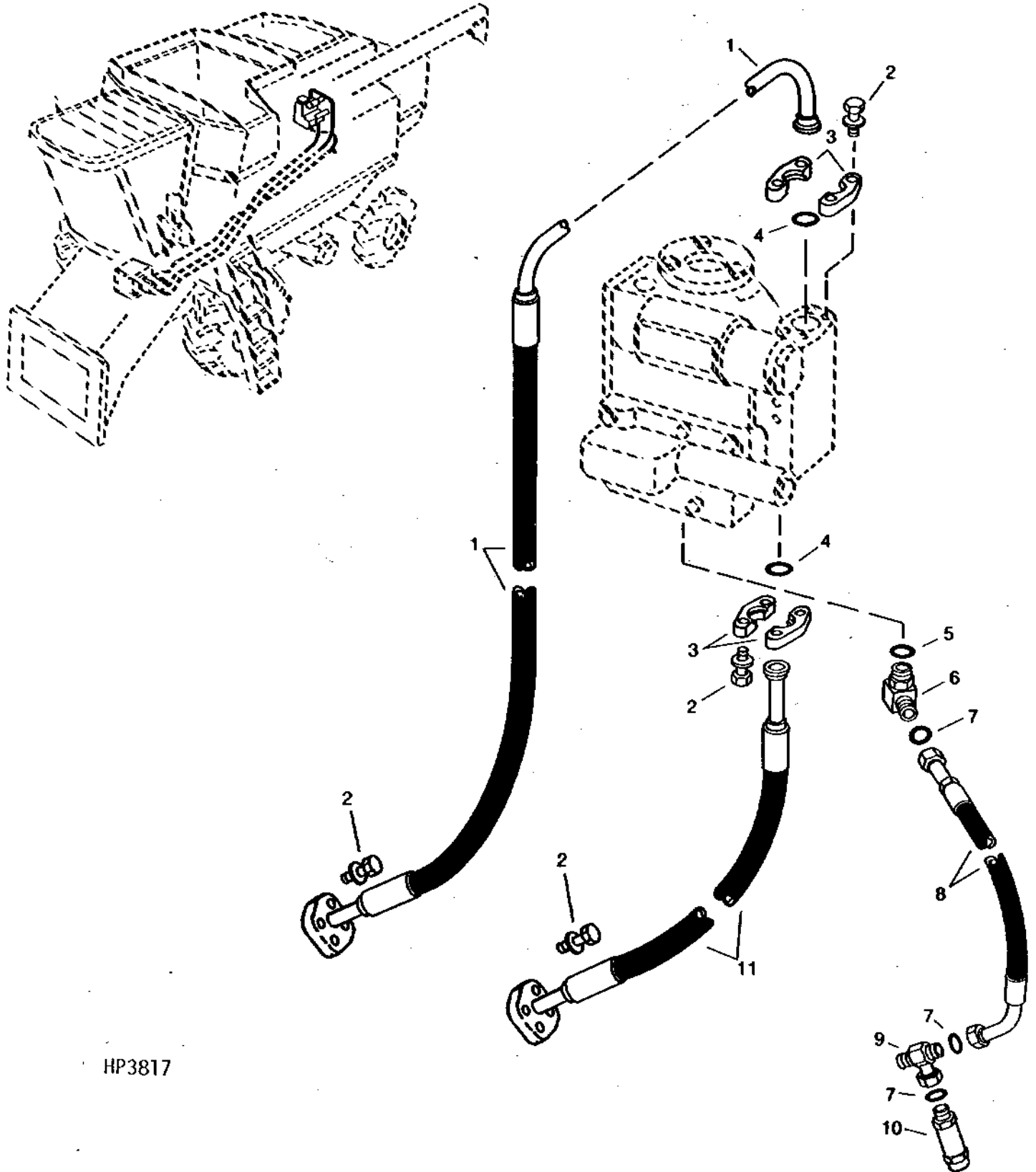
4F9

POWER TRAIN

HYDROSTATIC DRIVE HOSES, UPPER

(-655300)

HP3817 -UN-01JAN94



HP3817

4F10

POWER TRAIN

HYDROSTATIC DRIVE HOSES, UPPER - CONTINUED

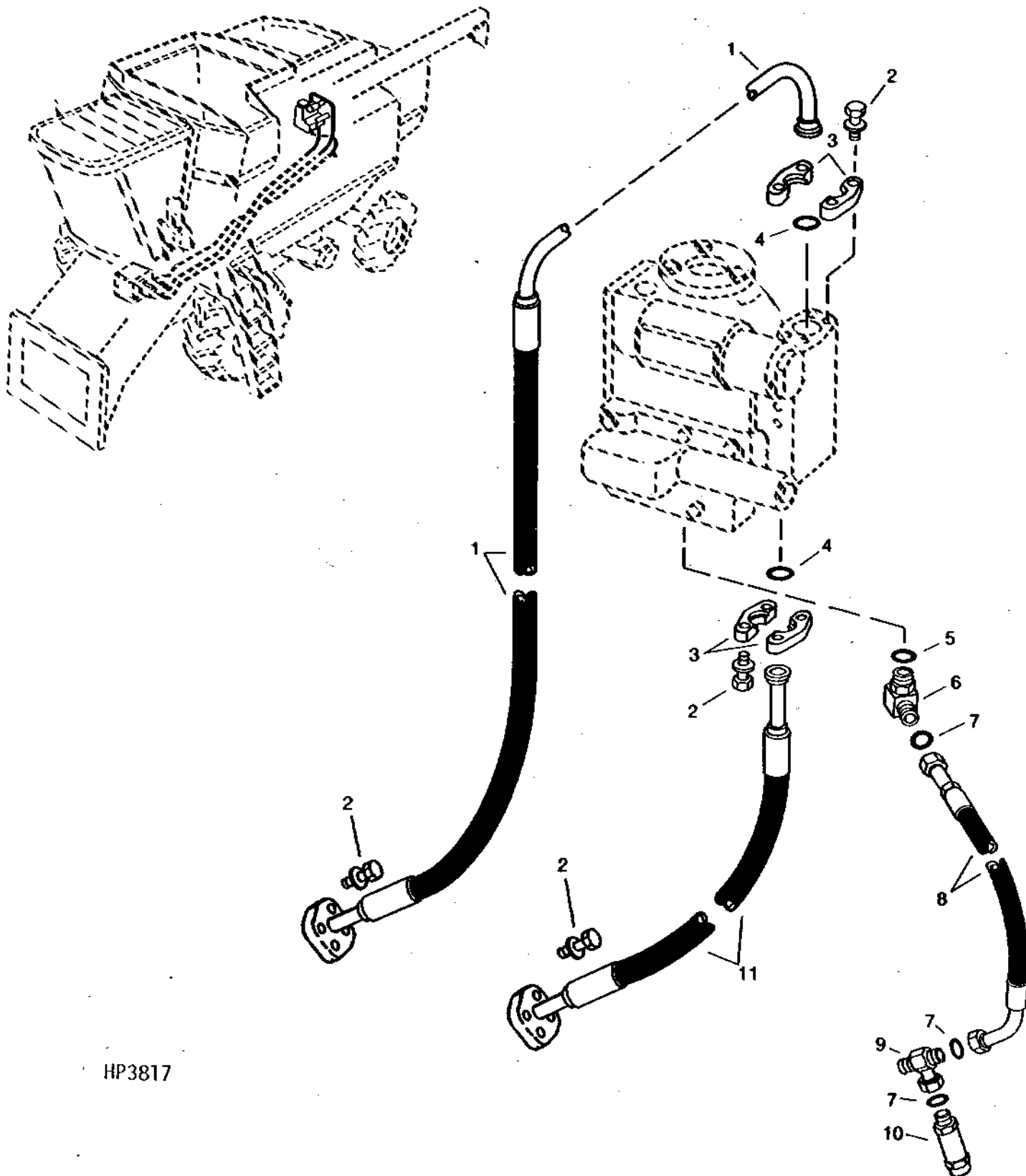
(-655300)

| KEY | PART NO. | PART NAME | QTY | SERIAL NO. | REMARKS |
|-----|----------|-----------------------|-----|------------|---|
| 1 | AH144192 | HYDRAULIC HOSE | 1 | | 1" X 975 MM (38-1/2") X 1", (SUB FOR AH128738, AH134951 OR AH141545) |
| 2 | 19H1740 | CAP SCREW | 8 | | 11.125 X 44.450 MM (7/16" X 1-3/4") |
| | 12H293 | LOCK WASHER | 8 | | 11.113 MM (7/16") |
| 3 | H122182 | EXTERNAL HALF COUPLER | 4 | | |
| 4 | T78313 | O-RING | 2 | | 32.918 X 3.531 MM (1.296" X 0.139") |
| 5 | U12547 | O-RING | 1 | | 23.470 X 2.946 MM (0.924" X 0.116") |
| 6 | 38H1007 | ELBOW FITTING | 1 | | |
| 7 | T77858 | O-RING | 3 | | 18.771 X 1.778 MM (0.739" X 0.070") |
| 8 | AH124008 | HYDRAULIC HOSE | 1 | | 1-3/16" X 725 MM (28-1/2") X 1-3/16" (UPPER CASE DRAIN) |
| 9 | 38H1041 | TEE FITTING | 1 | | |
| 10 | AH118337 | CHECK VALVE | 1 | | |
| 11 | AH141543 | HYDRAULIC HOSE | 1 | | 1-7/16" X 815 MM (32") X 1-7/16" (PRESSURE)(FOR NON POWERED REAR WHEELS) (SUB FOR AH128737, AH134950, AH140851) |
| | AH141544 | HYDRAULIC HOSE | 1 | | 1-7/16" X 700 MM (27-1/2") X 1-7/16", (SUB FOR AH128739, AH135039 OR AH140852) (PRESSURE) (FOR POWERED REAR WHEELS) |

4F11

HYDROSTATIC DRIVE HOSES, UPPER

(655301-)
HP3817 -UN-01JAN94



HP3817

4F12

POWER TRAIN

**HYDROSTATIC DRIVE HOSES, UPPER - CONTINUED
(FOUR WHEEL DRIVE)
(655301-)**

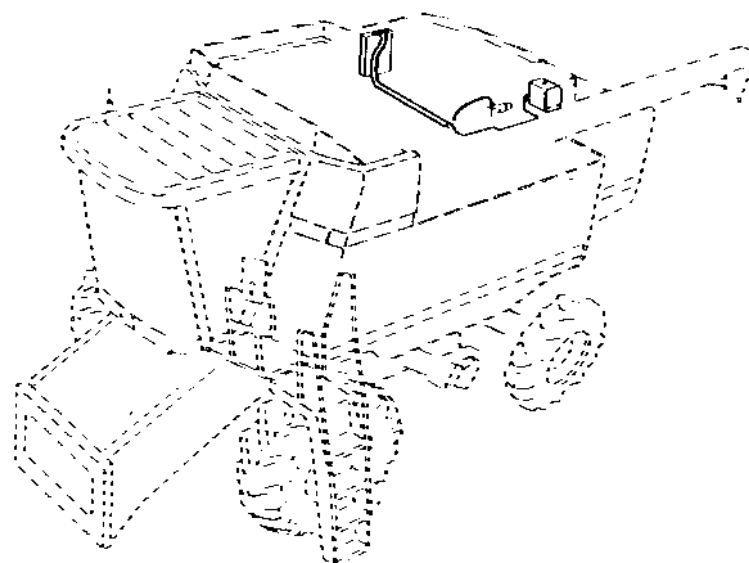
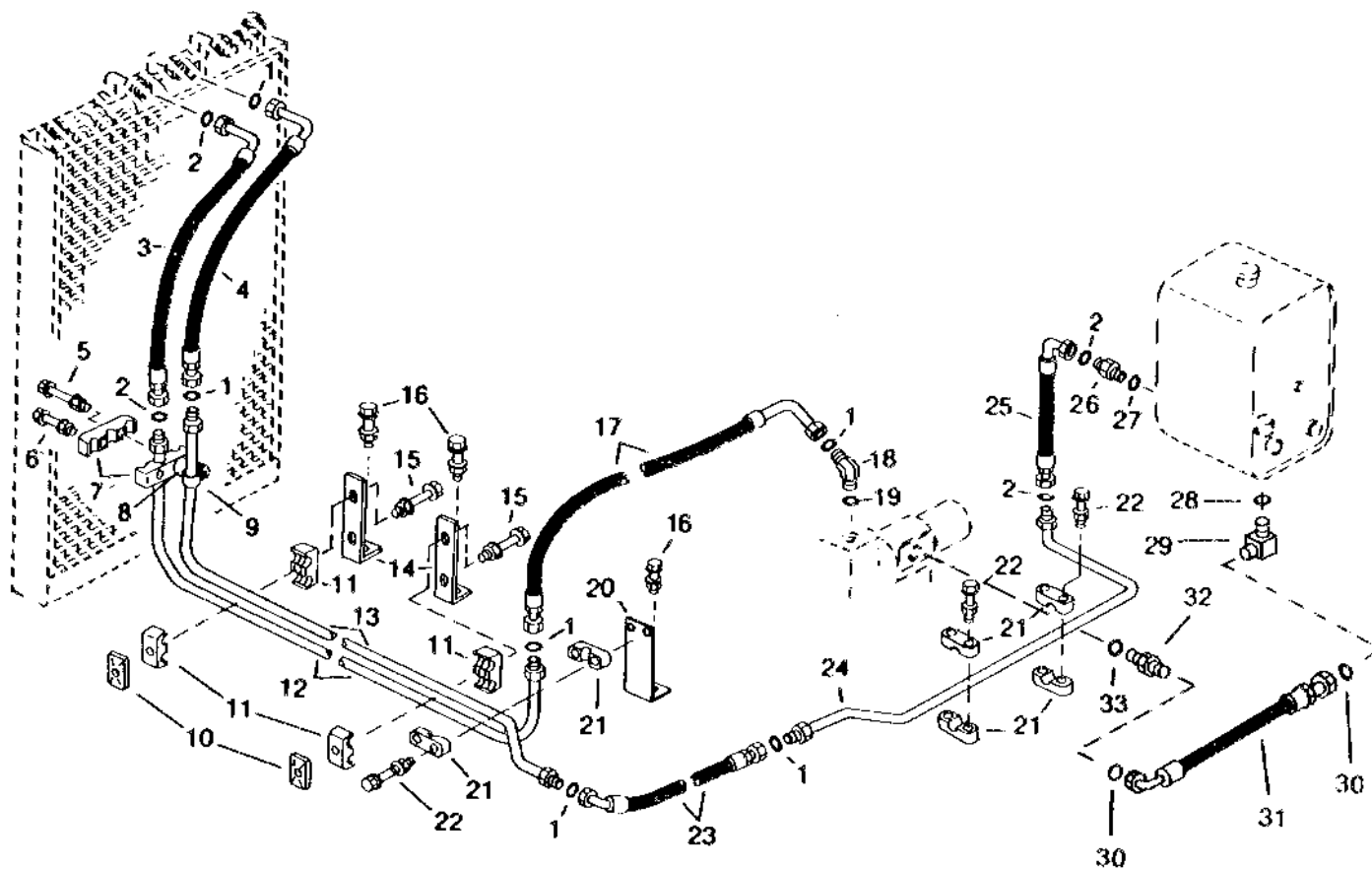
| KEY | PART NO. | PART NAME | QTY | SERIAL NO. | REMARKS |
|-----|----------------|------------------------------------|----------|--|---------|
| 1 | AH144192 | HYDRAULIC HOSE | 1 | 1" X 975 MM (38-1/2") X 1" | |
| 2 | 19H1740 | CAP SCREW | 8 | 7/16" X 1-3/4" | |
| | 12H293 | LOCK WASHER | 8 | 7/16" | |
| 3 | H122182 | EXTERNAL HALF COUPLER | 4 | | |
| 4 | T78313 | O-RING | 2 | 32.918 X 3.531 MM (1.296" X 0.139") | |
| 5 | U12547 | O-RING | 1 | 23.470 X 2.946 MM (0.924" X 0.116") | |
| 6 | 38H1007 | ELBOW FITTING | 1 | | |
| 7 | T77858 | O-RING | 3 | 18.771 X 1.778 MM (0.739" X 0.070") | |
| 8 | AH124008 | HYDRAULIC HOSE | 1 | 1-3/16" X 725 MM (28-1/2") X 1-3/16" (UPPER CASE DRAIN) | |
| 9 | 38H1041 | TEE FITTING | 1 | | |
| 10 | AH118337 | CHECK VALVE | 1 | | |
| 11 | AH141544 | HYDRAULIC HOSE | 1 | 1-7/16" X 700 MM (27-1/2") X 1-7/16" (PRESSURE)(FOR POWERED REAR WHEELS) | |
| | AH143352 | HYDRAULIC HOSE | 1 | 1" X 5 175 MM (203-3/4") X 1", (SUB FOR AH144194, AH145691 OR AH145880) FORWARD PRESSURE | |
| .. | BH79964 | COMPLETE GOODS/SHIP. BUNDLE | 1 | 4 WHEEL DRIVE HYDRAULIC HOSES | |

4F13

HYDROSTATIC OIL COOLER LINES AND HOSES

(-640300)

HP3605 -UN-01JAN94



HP3605

4F14

POWER TRAIN

HYDROSTATIC OIL COOLER LINES AND HOSES - CONTINUED
(-640300)

| KEY | PART NO. | PART NAME | QTY | SERIAL NO. | REMARKS |
|-----|----------|----------------|-----|------------|--|
| 1 | T76938 | O-RING | 6 | | 23.520 X 1.778 MM (0.926" X 0.070") |
| 2 | T77858 | O-RING | 4 | | 18.771 X 1.778 MM (0.739" X 0.070") |
| 3 | AH128775 | HYDRAULIC HOSE | 1 | | 1-3/16" X 650 MM (25-1/2") X 1-3/16" |
| 4 | AH128776 | HYDRAULIC HOSE | 1 | | 1-7/16" X 660 MM (26") X 1-7/16" |
| 5 | 19M8039 | SCREW | 1 | | M8 X 80 |
| | 14M7298 | FLANGE NUT | 1 | | M8 |
| 6 | 19M7801 | SCREW | 1 | | M8 X 60 |
| | 14M7298 | FLANGE NUT | 1 | | M8 |
| 7 | H130452 | CLAMP | 2 | | |
| 8 | 28H1720 | BUSHING | 1 | | 10.744 X 17.145 X 21.438 MM (0.423" X 0.675" X 27/32") |
| 9 | R72659 | CLAMP | 1 | | |
| 10 | H112567 | PLATE | 2 | | |
| 11 | H115379 | CLAMP | 4 | | |
| 12 | AH128770 | HYDRAULIC LINE | 1 | | |
| 13 | AH128772 | HYDRAULIC LINE | 1 | | |
| 14 | H130451 | BRACKET | 1 | | |
| 15 | 19M7801 | SCREW | 2 | | M8 X 60 |
| | 14M7298 | FLANGE NUT | 2 | | M8 |
| 16 | 19M7866 | SCREW | 3 | | M8 X 20 |
| | 14M7298 | FLANGE NUT | 3 | | M8 |
| 17 | AH125716 | HYDRAULIC HOSE | 1 | | 1-7/16" X 1 125 MM (44-1/4") X 1-7/16" |
| 18 | 38H1431 | ELBOW FITTING | 1 | | |
| 19 | U12547 | O-RING | 1 | | 23.470 X 2.946 MM (0.924" X 0.116") |
| 20 | H133674 | BRACKET | 1 | | |
| 21 | H114432 | CLAMP | 6 | | |
| 22 | 19M8321 | SCREW | 3 | | M6 X 45 |
| | 14M7303 | FLANGE NUT | 3 | | M6 |
| 23 | AH124006 | HYDRAULIC HOSE | 1 | | 1-7/16" X 800 MM (31-1/2") X 1-7/16" |
| 24 | AH132839 | OIL LINE | 1 | | (SUB AH135170 AND AH135171) |
| | AH135170 | OIL LINE | 1 | | |
| 25 | AH130567 | HYDRAULIC HOSE | 1 | -631900 | 1-3/16" X 305 MM (12") X 1-3/16" |
| | AH135171 | HYDRAULIC HOSE | 1 | 631901- | 1-3/16" X 260 MM (10-1/4") X 1-3/16" |
| 26 | 38H1194 | ADAPTER | 1 | | |
| 27 | R29936 | O-RING | 1 | | 29.743 X 2.946 MM (1.171" X 0.116") |
| 28 | R29936 | O-RING | 1 | | 29.743 X 2.946 MM (1.171" X 0.116") |
| 29 | 38H1037 | ELBOW FITTING | 1 | | |
| 30 | T76938 | O-RING | 2 | | 23.520 X 1.778 MM (0.926" X 0.070") |
| 31 | AH126242 | HYDRAULIC HOSE | 1 | | 1-7/16" X 730 MM (28-3/4") X 1-7/16" |
| 32 | 38H1164 | ADAPTER | 1 | | |
| 33 | R29936 | O-RING | 1 | | 29.743 X 2.946 MM (1.171" X 0.116") |

4F15

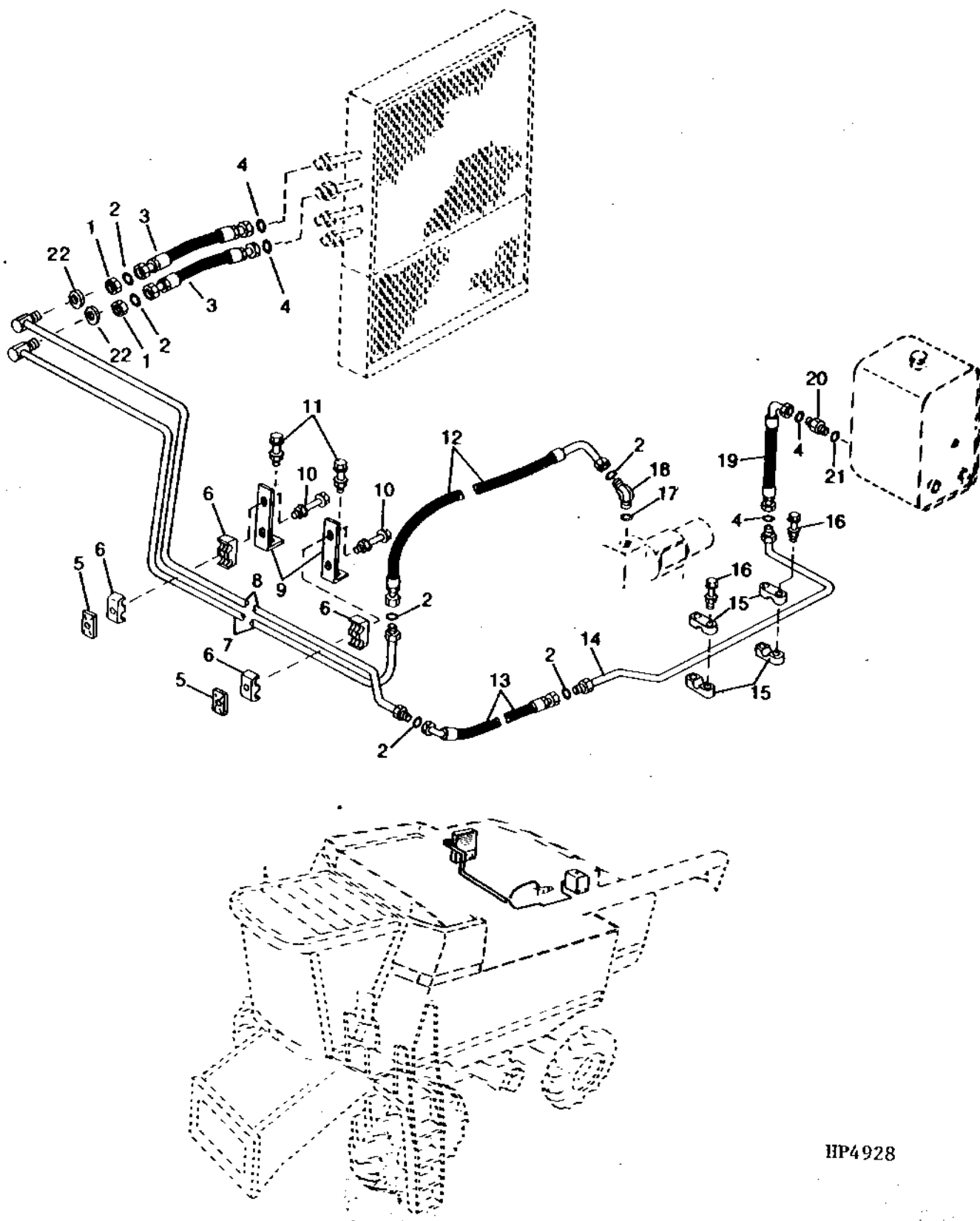
POWER TRAIN

HYDROSTATIC OIL COOLER LINES AND HOSES

(640301-665300)

HP4928

-UN-01JAN94



HP4928

4F16

POWER TRAIN

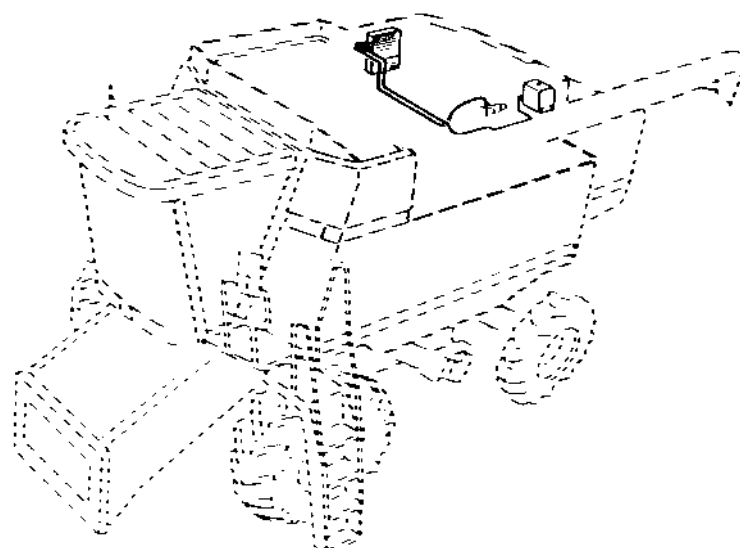
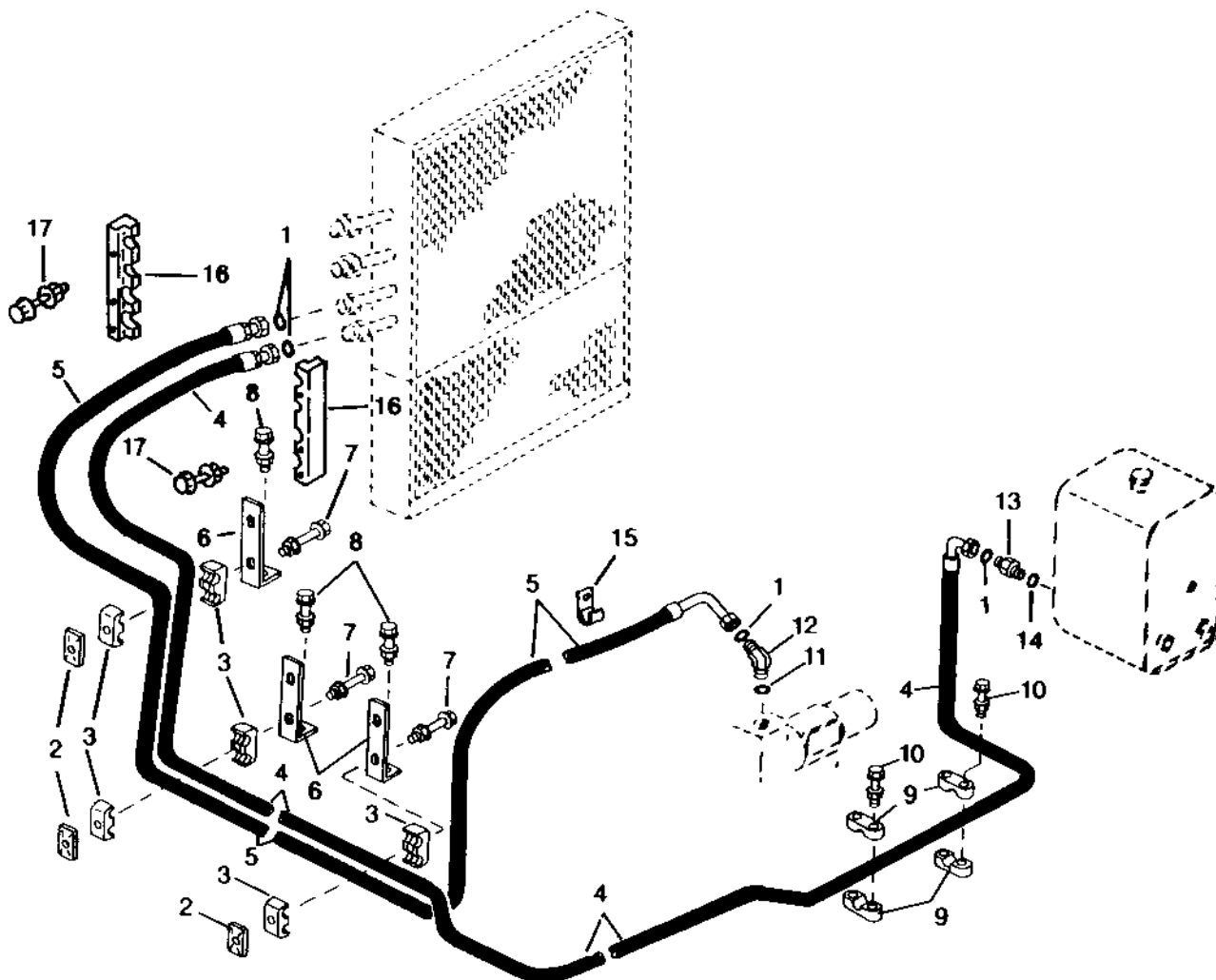
HYDROSTATIC OIL COOLER LINES AND HOSES- CONTINUED
(640301-665300)

| KEY | PART NO. | PART NAME | QTY | SERIAL NO. | REMARKS |
|-----|----------|----------------|-----|------------|--|
| 1 | T78715 | NUT | 2 | | 36.525 MM |
| 2 | T76938 | O-RING | 6 | | 23.520 X 1.778 MM (0.926" X 0.070") |
| 3 | AH128993 | HYDRAULIC HOSE | 2 | | 1-3/16" X 265 MM (10-1/2") X 1-7/16" |
| 4 | T77858 | O-RING | 4 | | 18.771 X 1.778 MM (0.739" X 0.070") |
| 5 | H112567 | PLATE | 2 | | |
| 6 | H115379 | CLAMP | 4 | | |
| 7 | AH128786 | HYDRAULIC LINE | 1 | | |
| 8 | AH128788 | HYDRAULIC LINE | 1 | | |
| 9 | H130451 | BRACKET | 2 | | |
| 10 | 19M7801 | SCREW | 2 | | M8 X 60 |
| | 14M7298 | FLANGE NUT | 2 | | M8 |
| 11 | U12547 | O-RING | 1 | | 23.470 X 2.946 MM |
| | 14M7298 | FLANGE NUT | 2 | | M8 |
| 12 | AH125716 | HYDRAULIC HOSE | 1 | | 1-7/16" X 1 125 MM (44-1/4") X 1-7/16" |
| 13 | AH124006 | HYDRAULIC HOSE | 1 | | 1-7/16" X 800 MM (31-1/2") X 1-7/16" |
| 14 | AH135170 | OIL LINE | 1 | | |
| 15 | H114432 | CLAMP | 4 | | |
| 16 | H151585 | CLAMP | 2 | | |
| | 14M7303 | FLANGE NUT | 2 | -655199 | M6 |
| | 14M7165 | LOCK NUT | 2 | 655200- | M6 |
| 17 | U12547 | O-RING | 1 | | 23.470 X 2.946 MM |
| 18 | 38H1431 | ELBOW FITTING | 1 | | |
| 19 | AH135171 | HYDRAULIC HOSE | 1 | | 1-3/16" X 260 MM (10-1/4") X 1-3/16" |
| 20 | 38H1194 | ADAPTER | 1 | | |
| 21 | R29936 | O-RING | 1 | | 29.743 X 2.946 MM (1.171" X 0.116") |
| 22 | 24H1534 | WASHER | 2 | 641945- | 38.887 X 52.375 X 1.524 MM (1-17/32" X 2-1/16" X 0.060") |

4F17

HYDROSTATIC OIL COOLER LINES AND HOSES

(665301-)
HP6090 -UN-14JUN95



HP6090

4F18

POWER TRAIN

HYDROSTATIC OIL COOLER LINES AND HOSES - CONTINUED
(665301-)

| KEY | PART NO. | PART NAME | QTY | SERIAL NO. | REMARKS |
|-----|----------|----------------|-----|------------|-------------------------------------|
| 1 | T77858 | O-RING | 4 | | 18.771 X 1.778 MM (0.739" X 0.070") |
| 2 | H114901 | PLATE | 3 | | |
| 3 | H150982 | CLAMP | 5 | | |
| 4 | AH145236 | HYDRAULIC HOSE | 1 | | |
| 5 | AH145238 | HYDRAULIC HOSE | 1 | | |
| 6 | H150980 | BRACKET | 3 | | |
| 7 | 19M8039 | SCREW | 3 | M8 X 80 | |
| | 14M7298 | FLANGE NUT | 3 | M8 | |
| 8 | 19M7866 | SCREW | 3 | M8 X 20 | |
| | 14M7298 | FLANGE NUT | 3 | M8 | |
| 9 | H145247 | HALF CLAMP | 4 | | |
| 10 | 19M7801 | SCREW | 2 | M8 X 60 | |
| | 14M7298 | FLANGE NUT | 2 | M8 | |
| 11 | U12547 | O-RING | 1 | | 23.470 X 2.946 MM |
| 12 | 38H1163 | ADAPTER | 1 | | |
| 13 | 38H1194 | ADAPTER | 1 | | |
| 14 | R29936 | O-RING | 1 | | 29.743 X 2.946 MM (1.171" X 0.116") |
| 15 | AH90990 | CLIP | 1 | | |
| 16 | H151585 | CLAMP | 2 | | |
| 17 | 19M8318 | SCREW | 6 | M8 X 45 | |
| | 14M7298 | FLANGE NUT | 6 | M8 | |

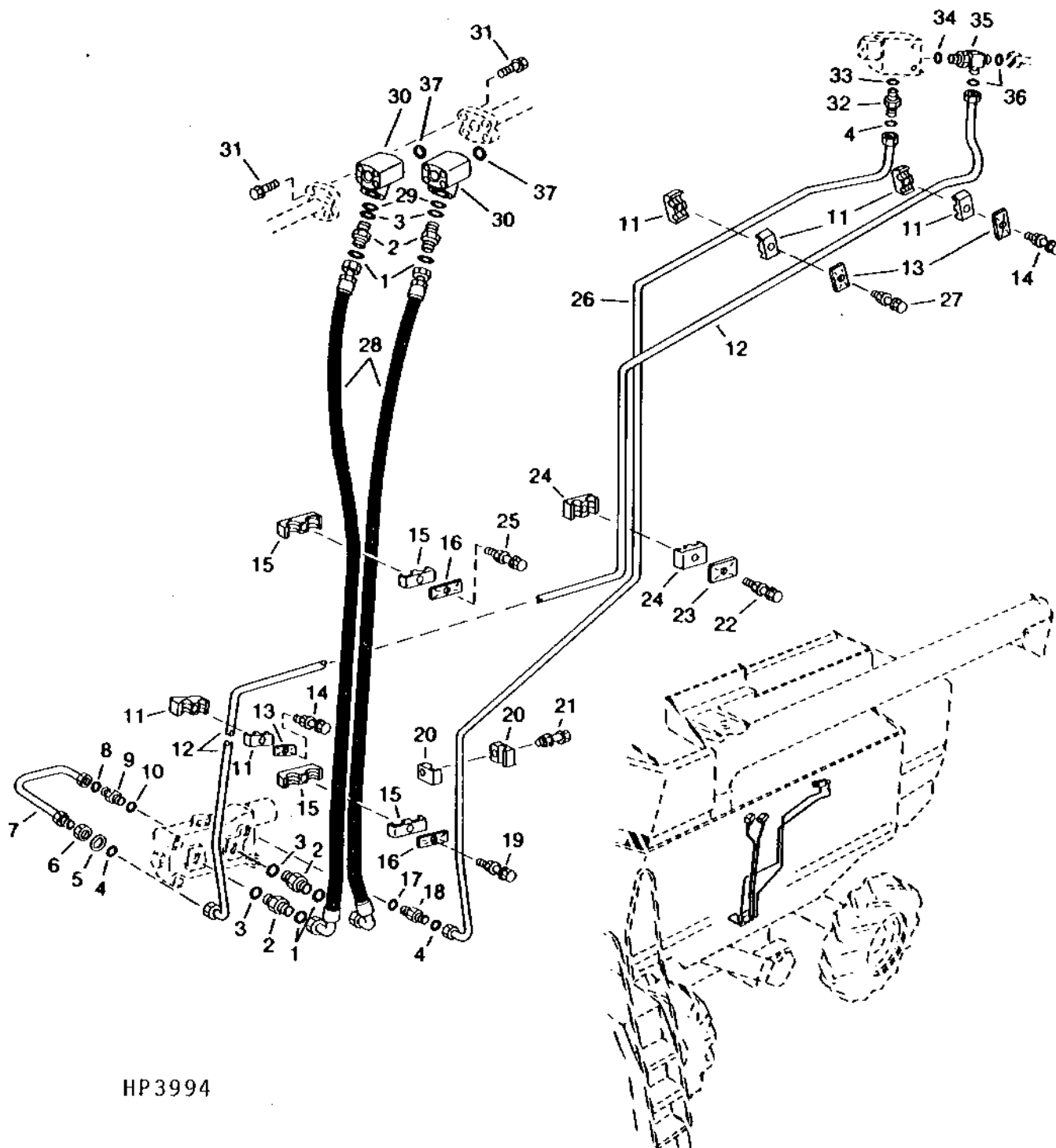
4F19

POWER TRAIN

4-WHEEL DRIVE HYDRAULIC LINES AND HOSES, L.H. SIDE

(-655300)

HP3994 -UN-01JAN94



HP3994

4F20

POWER TRAIN

4-WHEEL DRIVE HYDRAULIC LINES AND HOSES, L.H. SIDE - CONTINUED
(-655300)

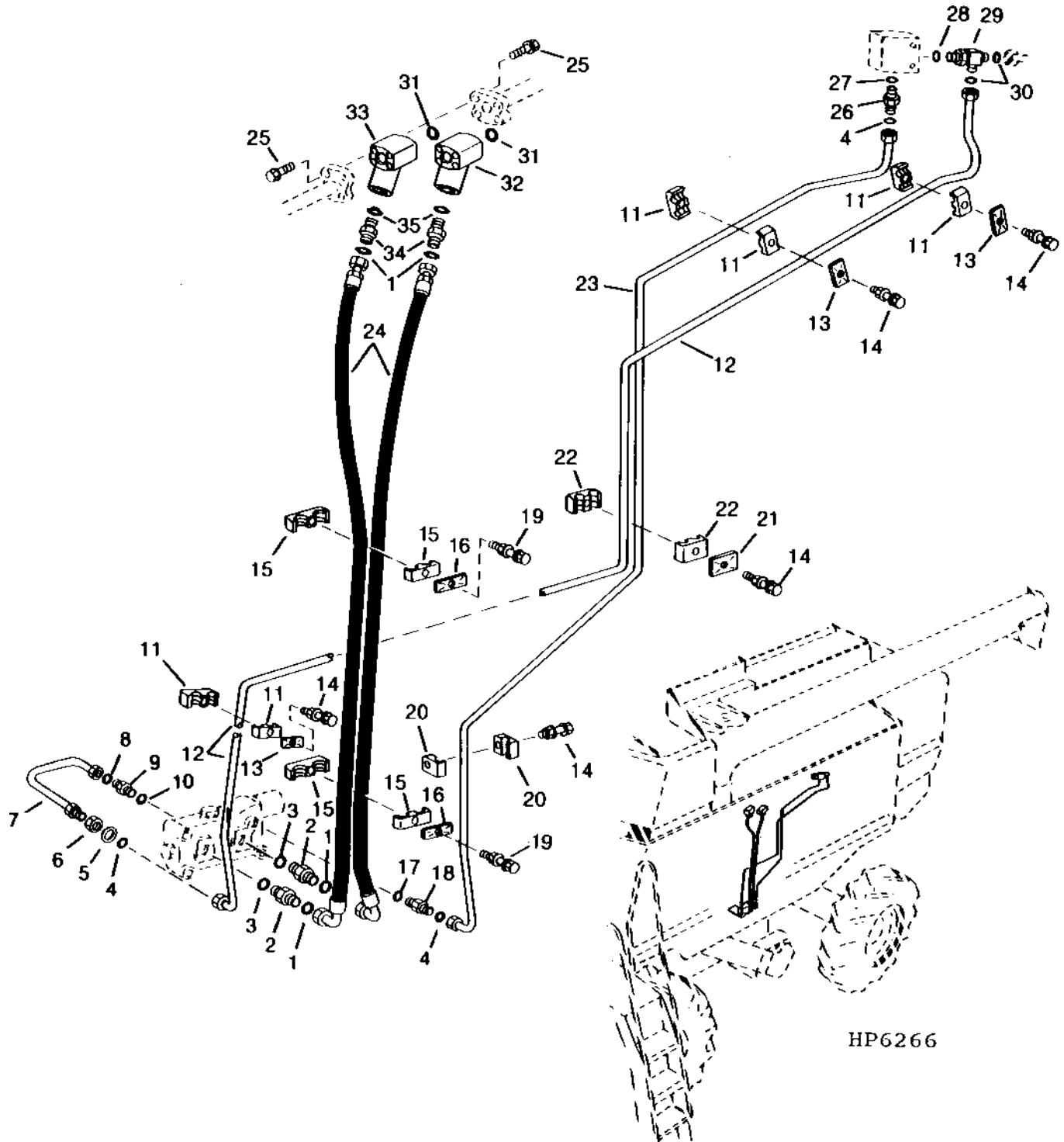
| KEY | PART NO. | PART NAME | QTY | SERIAL NO. | REMARKS |
|-----|----------------|------------------------------------|----------|------------|--|
| 1 | T77858 | O-RING | 4 | | 18.771 X 1.778 MM (0.739" X 0.070") |
| 2 | 38H1163 | ADAPTER | 4 | | |
| 3 | U12547 | O-RING | 4 | | 23.470 X 2.946 MM (0.924" X 0.116") |
| 4 | T77613 | O-RING | 3 | | 9.246 X 1.778 MM (0.364" X 0.070") |
| 5 | 24M7114 | WASHER | 1 | | 19 X 30 X 4 MM |
| 6 | T81029 | NUT | 1 | | 17.475 MM (11/16") |
| 7 | AH130611 | HYDRAULIC LINE | 1 | | |
| 8 | T77814 | O-RING | 1 | | 7.645 X 1.778 MM (0.301" X 0.070") |
| 9 | 38H1168 | ADAPTER | 1 | | |
| 10 | R26448 | O-RING | 1 | | 11.887 X 1.981 MM (0.468" X 5/64") |
| 11 | H114865 | CLAMP | 6 | | |
| 12 | AH130447 | OIL LINE | 1 | | (RETURN) |
| 13 | H112567 | PLATE | 3 | | |
| 14 | 03M7245 | BOLT | 2 | | M8 X 55 |
| | 14M7298 | FLANGE NUT | 2 | | M8 |
| 15 | H114898 | CLAMP | 4 | | |
| 16 | H114901 | PLATE | 2 | | |
| 17 | R28782 | O-RING | 1 | | 8.915 X 1.829 MM (0.351" X 0.072") |
| 18 | 38H1309 | ADAPTER | 1 | | |
| 19 | 19M8039 | SCREW | 1 | | M8 X 80 |
| | 19M7396 | CAP SCREW | 1 | | M16 X 45 |
| 20 | H127589 | CLAMP | 2 | | |
| 21 | 19M8317 | SCREW | 1 | -641716 | M8 X 40 |
| | 19M7867 | SCREW | 1 | 641717- | M8 X 25 |
| | 14M7298 | FLANGE NUT | 1 | | M8 |
| 22 | 03M7187 | BOLT | 1 | | M8 X 35 |
| | 14M7298 | FLANGE NUT | 1 | | M8 |
| 23 | H121163 | COVER | 1 | | |
| 24 | H128515 | CLAMP | 2 | | |
| 25 | 03M7267 | BOLT | 1 | | M8 X 80 |
| | 14M7396 | LOCK NUT | 1 | | M8 |
| 26 | AH135620 | OIL LINE | 1 | | (SUB FOR AH131300) |
| 27 | 19M7801 | SCREW | 1 | | M8 X 60 |
| | 14M7298 | FLANGE NUT | 1 | | M8 |
| 28 | AH125941 | HYDRAULIC HOSE | 2 | | 1-3/16" X 1 625 MM (64") X 1-3/16" (FORWARD AND REVERSE) |
| 29 | T78313 | O-RING | 2 | | 32.918 X 3.531 MM (1.296" X 0.139") (SUB FOR H61355) |
| 30 | H126368 | MANIFOLD | 2 | | |
| 31 | 19M8162 | CAP SCREW | 16 | | M10 X 40 |
| 32 | 38H1160 | ADAPTER | 1 | | |
| 33 | R26448 | O-RING | 1 | | 11.887 X 1.981 MM (0.468" X 5/64") |
| 34 | R26375 | O-RING | 1 | | 16.358 X 2.210 MM (0.644" X 0.087") |
| 35 | 38H1024 | TEE FITTING | 1 | | |
| 36 | T77857 | O-RING | 2 | | 12.421 X 1.778 MM (0.489" X 0.070") |
| 37 | T78313 | O-RING | 2 | | 32.918 X 3.531 MM (1.296" X 0.139") |
| .. | BH71746 | COMPLETE GOODS/SHIP. BUNDLE | 1 | | 4 WHEEL DRIVE CONVERSION |
| .. | BH79904 | COMPLETE GOODS/SHIP. BUNDLE | 1 | | 4 WHEEL DRIVE CONVERSION |

4F21

POWER TRAIN

4-WHEEL DRIVE HYDRAULIC LINES AND HOSES, L.H. SIDE

(655301-)
HP6266 -UN-17JAN96



HP6266

4F22

POWER TRAIN

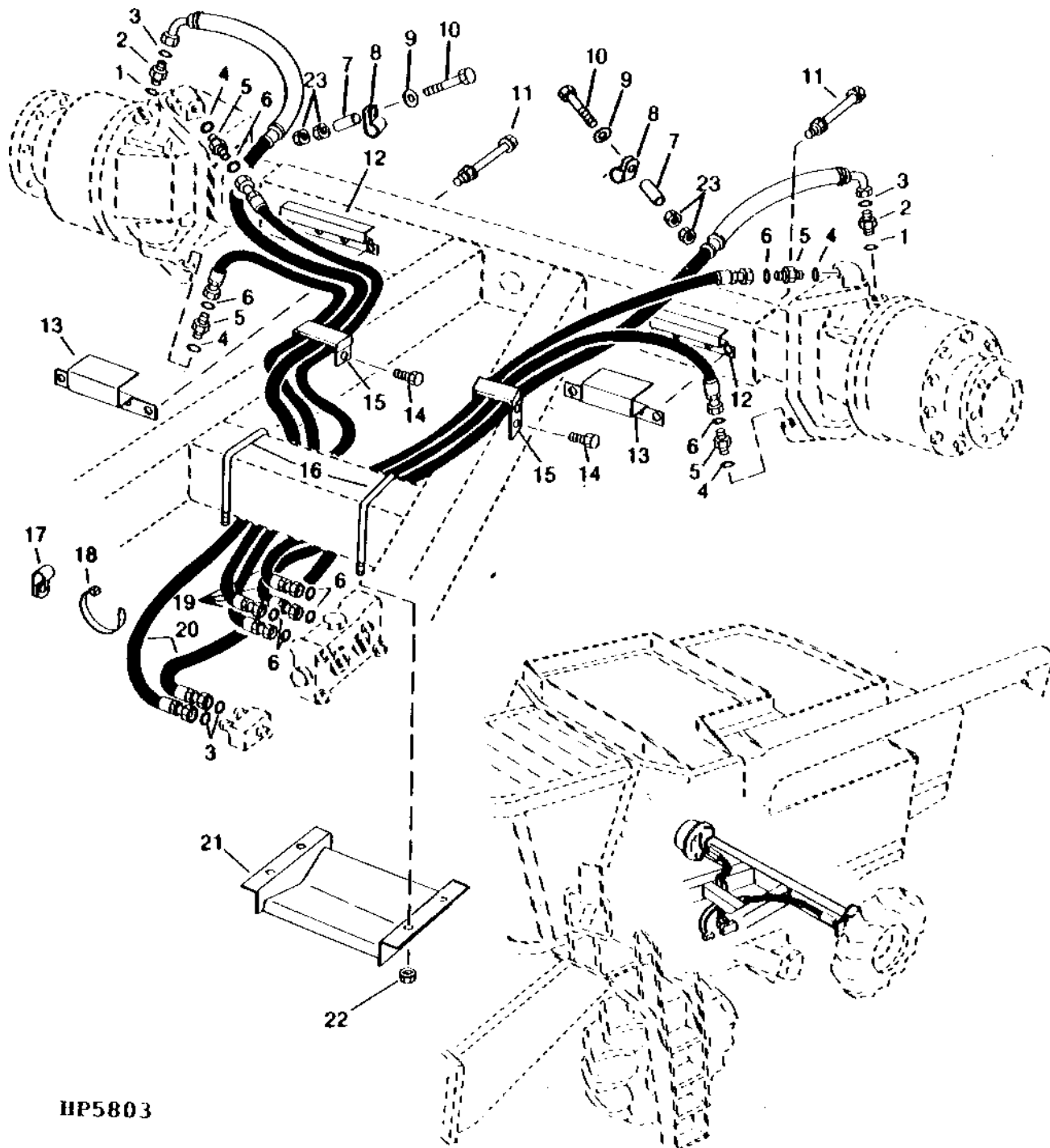
4-WHEEL DRIVE HYDRAULIC LINES AND HOSES, L.H. SIDE - CONTINUED
(655301-)

| KEY | PART NO. | PART NAME | QTY | SERIAL NO. | REMARKS |
|-----|----------|----------------|-----|------------|-------------------------------------|
| 1 | T77858 | O-RING | 4 | | 18.771 X 1.778 MM (0.739" X 0.070") |
| 2 | 38H1163 | ADAPTER | 2 | | |
| 3 | U12547 | O-RING | 2 | | 23.470 X 2.946 MM (0.924" X 0.116") |
| 4 | T77613 | O-RING | 3 | | 9.246 X 1.778 MM (0.364" X 0.070") |
| 5 | 24M7114 | WASHER | 1 | | 19 X 30 X 4 MM |
| 6 | T81029 | NUT | 1 | | 17.475 MM (11/16") |
| 7 | AH130611 | HYDRAULIC LINE | 1 | | |
| 8 | T77814 | O-RING | 1 | | 7.645 X 1.778 MM (0.301" X 0.070") |
| 9 | 38H1168 | ADAPTER | 1 | | |
| 10 | R26448 | O-RING | 1 | | 11.887 X 1.981 MM (0.468" X 5/64") |
| 11 | H114865 | CLAMP | 6 | | |
| 12 | AH130447 | OIL LINE | 1 | | (RETURN) |
| 13 | H112567 | PLATE | 3 | | |
| 14 | 03M7245 | BOLT | 5 | | M8 X 55 |
| | 14M7298 | FLANGE NUT | 5 | | M8 |
| 15 | H114898 | CLAMP | 4 | | |
| 16 | H114901 | PLATE | 2 | | |
| 17 | R28782 | O-RING | 1 | | 8.915 X 1.829 MM (0.351" X 0.072") |
| 18 | 38H1309 | ADAPTER | 1 | | |
| 19 | 19M7396 | CAP SCREW | 2 | | M16 X 45 |
| 20 | H127589 | CLAMP | 2 | | |
| 21 | H121163 | COVER | 1 | | |
| 22 | H128515 | CLAMP | 2 | | |
| 23 | AH135620 | OIL LINE | 1 | | (PRESSURE) |
| 24 | AH139802 | HYDRAULIC HOSE | 2 | | 1-3/16" X 1 575 MM (62") X 1-3/16" |
| 25 | 19M8162 | CAP SCREW | 16 | | M10 X 40 |
| 26 | 38H1160 | ADAPTER | 1 | | |
| 27 | R26448 | O-RING | 1 | | 11.887 X 1.981 MM (0.468" X 5/64") |
| 28 | R26375 | O-RING | 1 | | 16.358 X 2.210 MM (0.644" X 0.087") |
| 29 | 38H1024 | TEE FITTING | 1 | | |
| 30 | T77857 | O-RING | 2 | | 12.421 X 1.778 MM (0.489" X 0.070") |
| 31 | T78313 | O-RING | 2 | | 32.918 X 3.531 MM (1.296" X 0.139") |
| 32 | AH133941 | MANIFOLD | 1 | | 42 GPM, FWD PRESS. |
| 33 | AH133942 | MANIFOLD | 1 | | 30 GPM, REV PRESS. |
| 34 | 38H1329 | ADAPTER | 2 | | |
| 35 | R29936 | O-RING | 2 | | 29.743 X 2.946 MM (1.171" X 0.116") |

4F23

4-WHEEL DRIVE LINES AND HOSES (FROM FLOW CONTROL VALVE TO CAM LOBE MOTORS)

HP5803 -UN-01JAN94



HP5803

4F24

POWER TRAIN

**4-WHEEL DRIVE LINES AND HOSES - CONTINUED
(FROM FLOW CONTROL VALVE TO CAM LOBE MOTORS)**

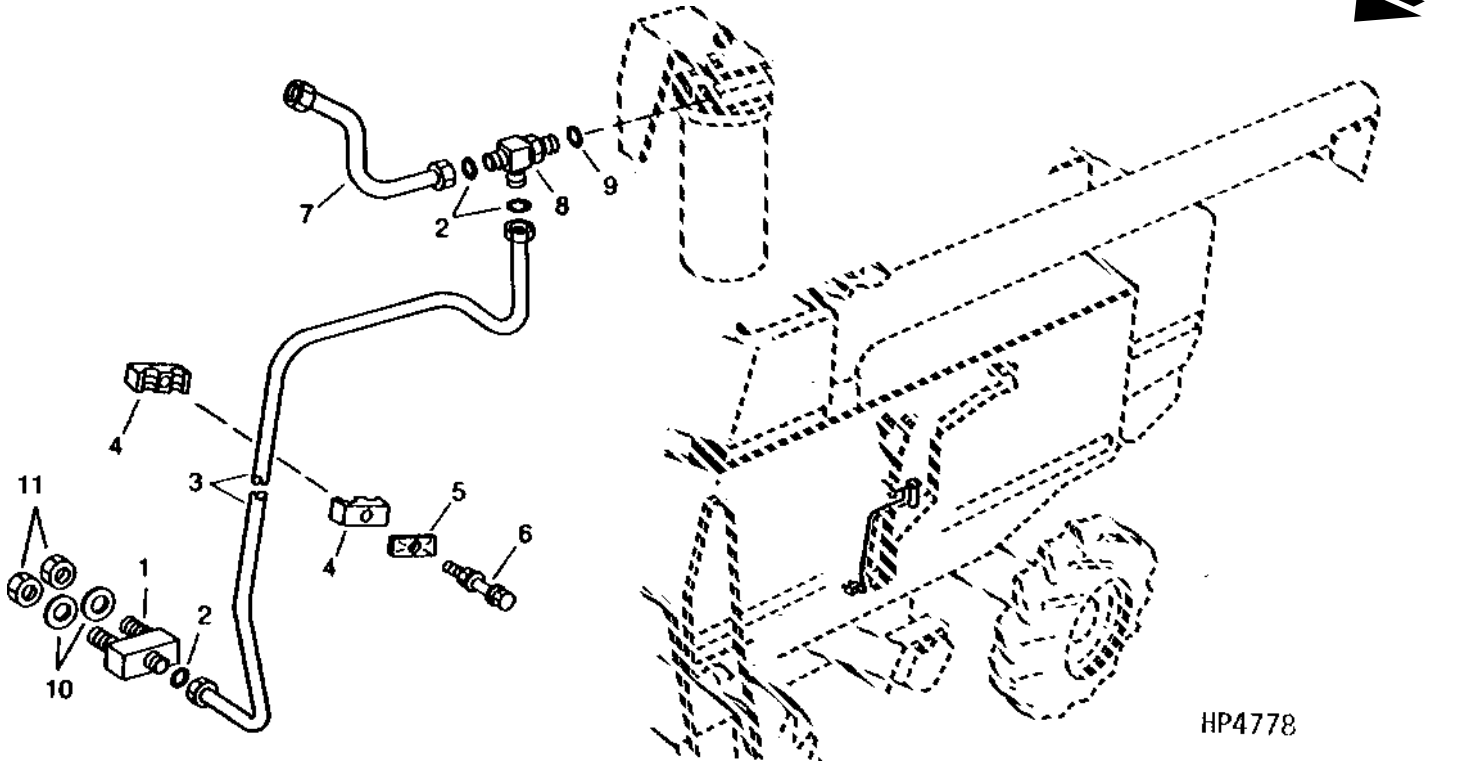
| KEY | PART NO. | PART NAME | QTY | SERIAL NO. | REMARKS |
|-----|----------------|------------------------------------|----------|------------|---|
| 1 | R26375 | O-RING | 2 | | 16.358 X 2.210 MM (0.644" X 0.087") |
| 2 | 38H1178 | ADAPTER | 2 | | |
| 3 | T77858 | O-RING | 4 | | 18.771 X 1.778 MM (0.739" X 0.070") |
| 4 | U12547 | O-RING | 4 | | 23.470 X 2.946 MM (0.924" X 0.116") |
| 5 | 38H1329 | ADAPTER | 4 | | |
| 6 | T77932 | O-RING | 8 | | 15.596 X 1.778 MM (0.614" X 0.070") |
| 7 | T25473 | SPACER | 2 | | 10.312 X 19.050 X 64.008 MM (13/32" X 3/4" X 2.520") |
| 8 | H134690 | CLAMP | 2 | -640300 | |
| | H145247 | HALF CLAMP | 4 | 640301- | |
| 9 | 24H1237 | WASHER | 2 | -641245 | 25/64" X 7/8" X 0.060" |
| | 24H1305 | WASHER | 2 | 641246- | 13/32" X 13/16" X 0.065" |
| 10 | 19H1912 | CAP SCREW | 2 | -640300 | 3/8" X 3-1/2" |
| | 19M7801 | SCREW | 4 | 640301- | M8 X 60 |
| 11 | H121472 | BOLT | 4 | | |
| | 14M7300 | FLANGE NUT | 4 | | M20 |
| 12 | H131996 | SHIELD | 2 | | |
| 13 | H133671 | SHIELD | 2 | | |
| 14 | 37M7092 | SCREW | 6 | | M8 X 16 |
| 15 | AH117418 | STRAP | 2 | | |
| 16 | H133669 | U-BOLT | 2 | | |
| 17 | AH77884 | CLIP | 1 | | |
| | 19M7865 | SCREW | 1 | | M8 X 16 |
| | 14M7298 | FLANGE NUT | 1 | | M8 |
| 18 | H113196 | TIE BAND | 1 | | |
| 19 | AH143407 | HYDRAULIC HOSE | 4 | | 1" X 3 375 MM (132-3/4") X 1", (SUB FOR AH128762) |
| 20 | AH130866 | HYDRAULIC HOSE | 2 | -640300 | 1-3/16" X 4 025 MM (158-1/2") X 1-3/16", (CASE DRAIN) |
| | AH139854 | HYDRAULIC HOSE | 2 | 640301- | 1-3/16" X 4 025 MM (158-1/2") X 1-3/16", (CASE DRAIN) |
| 21 | AH128757 | SHIELD | 1 | | |
| 22 | 14M7296 | FLANGE NUT | 4 | | M10 |
| 23 | 14M7298 | FLANGE NUT | 4 | 640301- | M8 |
| .. | TY16285 | PRIMER | 1 | | (SUB FOR TY6305) ON KEY 10 AND HOLE |
| .. | T43512 | SEALANT | 1 | | (SUB FOR TY9473) |
| .. | BH71746 | COMPLETE GOODS/SHIP. BUNDLE | 1 | | 4 WHEEL DRIVE CONVERSION |
| .. | BH71883 | COMPLETE GOODS/SHIP. BUNDLE | 1 | | 4 WHEEL DRIVE CONVERSION |
| .. | BH80002 | COMPLETE GOODS/SHIP. BUNDLE | 1 | | 4 WHEEL DRIVE CONVERSION |

4F25

POWER TRAIN

4-WHEEL DRIVE CASE DRAIN HYDRAULIC LINES

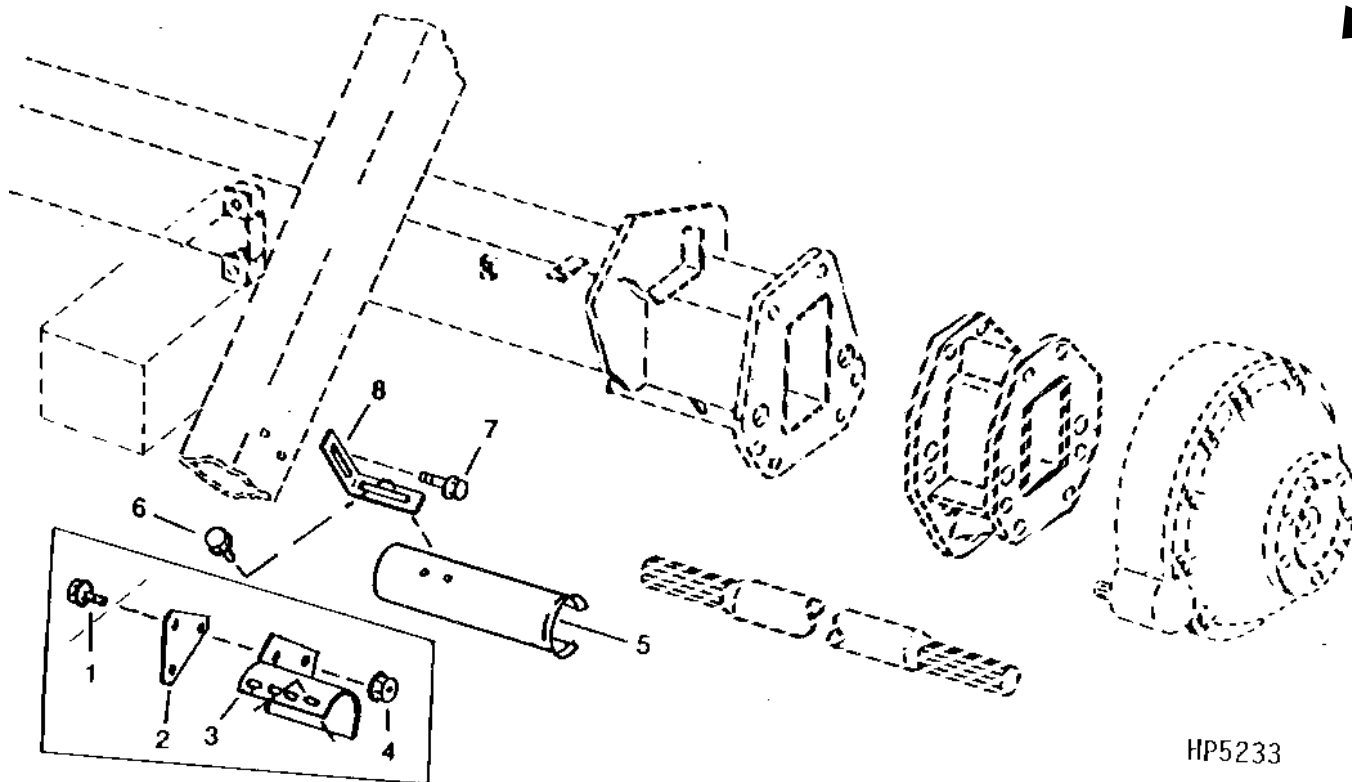
HP4778 -UN-01JAN94



| KEY | PART NO. | PART NAME | QTY | SERIAL NO. | REMARKS |
|-----|----------------|------------------------------------|----------|------------|---|
| 1 | AH128692 | MANIFOLD | 1 | | (CASE DRAIN) |
| 2 | T77858 | O-RING | 3 | | 18.771 X 1.778 MM (0.739" X 0.070") |
| 3 | AH130449 | HYDRAULIC LINE | 1 | | (CASE DRAIN RETURN) |
| 4 | H114865 | CLAMP | 2 | | |
| 5 | H112567 | PLATE | 1 | | |
| 6 | 03M7245 | BOLT | 1 | M8 X 55 | |
| | 14M7298 | FLANGE NUT | 1 | M8 | |
| 7 | AH126169 | OIL LINE | 1 | | (RETURN) (FROM VALVE STACK TO HYD FILTER) |
| 8 | 38H1438 | TEE FITTING | 1 | | |
| 9 | R29936 | O-RING | 1 | | 29.743 X 2.946 MM (1.171" X 0.116") |
| 10 | 28H1152 | BUSHING | 2 | | 1.278" X 1.660" X 3/8" |
| 11 | T78707 | NUT | 2 | | 30.175 MM (1-3/16") |
| .. | BH80003 | COMPLETE GOODS/SHIP. BUNDLE | 1 | | 4 WHEEL DRIVE CONVERSION |

**FINAL DRIVE SHAFT SHIELDS - (RING AND PINION)
(FOR RICE ONLY)
(LEFT-HAND SIDE ILLUSTRATED)**

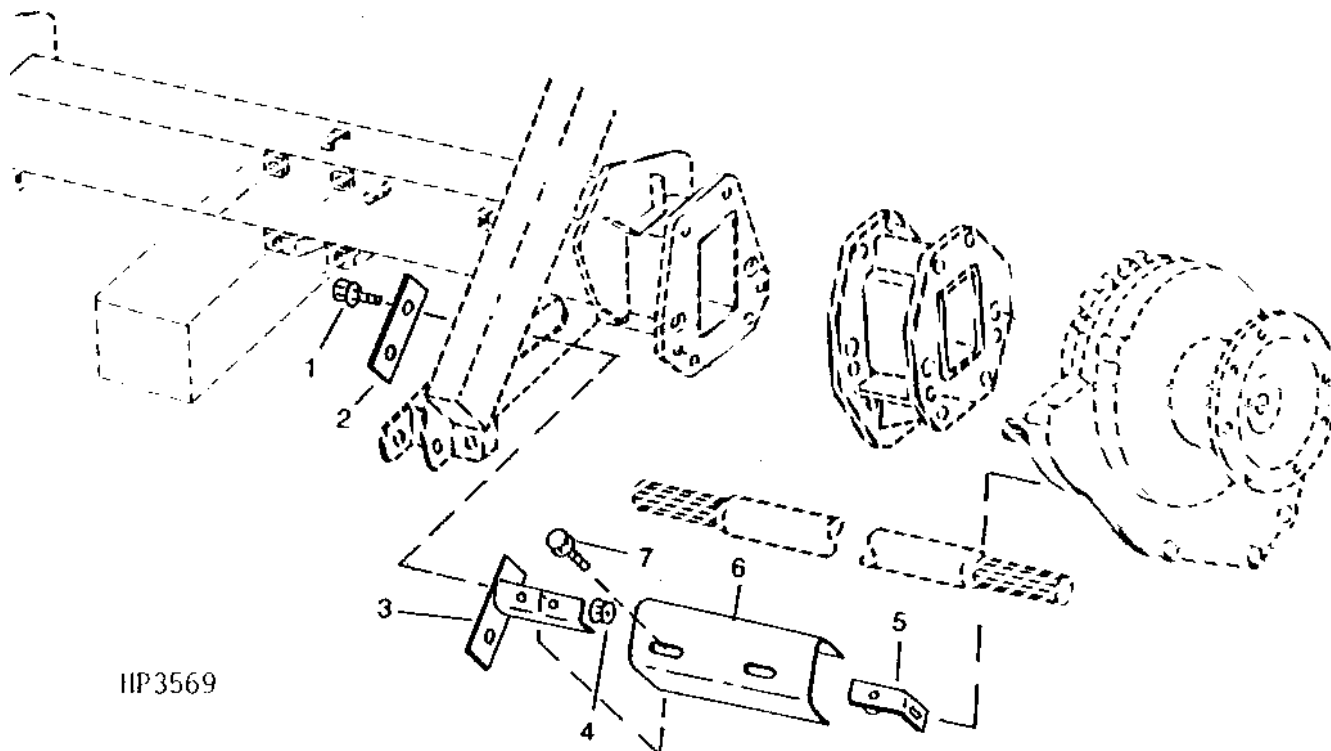
HP5233 -UN-01JAN94



| KEY | PART NO. | PART NAME | QTY | SERIAL NO. | REMARKS |
|-----|----------|-------------------|-----|------------|--|
| 1 | 19M7785 | SCREW | 6 | -645566 | M10 X 25 |
| 2 | H137779 | PLATE | 2 | -645566 | |
| 3 | AH139898 | POWERSHAFT SHIELD | 1 | -645566 | (SUB FOR AH132363) L.H. (INCLUDES DIRECTION) |
| 4 | AH139899 | POWERSHAFT SHIELD | 1 | -645566 | (SUB FOR AH132364) R.H. (INCLUDES DIRECTION) |
| 5 | 14M7296 | FLANGE NUT | 6 | -645566 | M10 |
| 5 | AH132239 | POWERSHAFT SHIELD | 2 | | USE WITH NO AXLE SPACER (INCLUDES DIRECTION) |
| | AH132240 | POWERSHAFT SHIELD | 2 | | USE WITH 165 MM AXLE SPACER |
| 6 | 19M7783 | SCREW | 4 | | M10 X 16, (INTO WELDNUTS) |
| 7 | 19M7783 | SCREW | 4 | 645567- | M10 X 16 |
| 8 | H147490 | ANGLE | 2 | 645567- | |

**FINAL DRIVE SHAFT SHIELDS - (PLANETARY)
(FOR RICE ONLY)
(LEFT-HAND SIDE ILLUSTRATED)**

HP3569 -UN-01JAN94

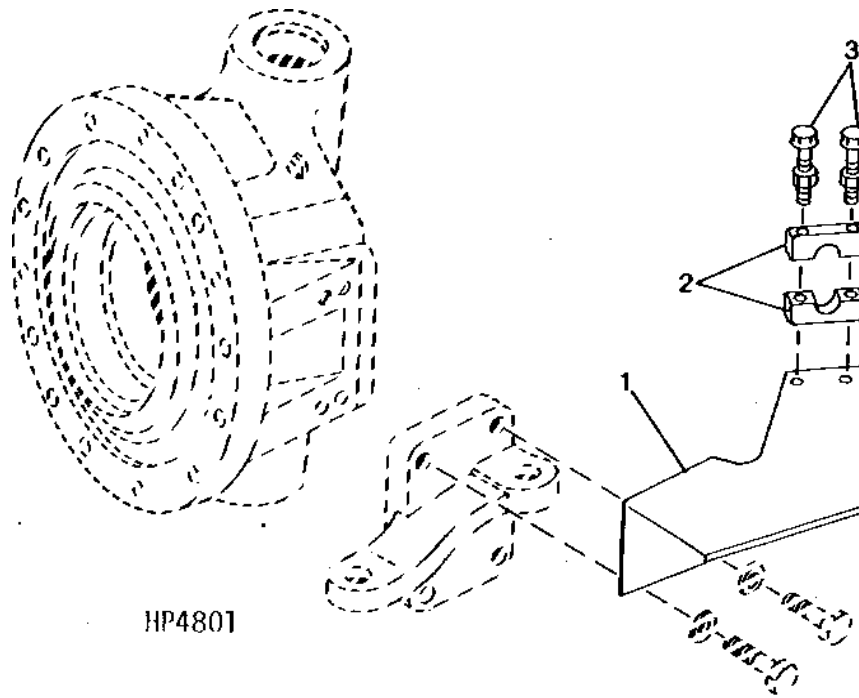


HP3569

| KEY | PART NO. | PART NAME | QTY | SERIAL NO. | REMARKS |
|-----|----------------|------------------------------------|-----|---------------------------|-----------------------------|
| 1 | 19M7786 | SCREW | 4 | M10 X 30 | |
| 2 | H137782 | ADJUSTING STRAP | 2 | | |
| 3 | AH132365 | BRACKET | 1 | L.H. | |
| | AH132366 | BRACKET | 1 | R.H. | |
| 4 | 14M7296 | FLANGE NUT | 4 | M10 | |
| 5 | AH132903 | BRACKET | 2 | | |
| 6 | H137805 | SHIELD | 2 | | USE WITH NO AXLE SPACER |
| | H137806 | SHIELD | 2 | | USE WITH 165 MM AXLE SPACER |
| | H137807 | SHIELD | 2 | | USE WITH 300 MM AXLE SPACER |
| 7 | 19M7783 | SCREW | 2 | M10 X 16, (INTO WELDNUTS) | |
| .. | BH79829 | COMPLETE GOODS/SHIP. BUNDLE | 1 | RIDGE DUAL | |
| .. | BH79830 | COMPLETE GOODS/SHIP. BUNDLE | 1 | 300MM AXLE SPACERS | |

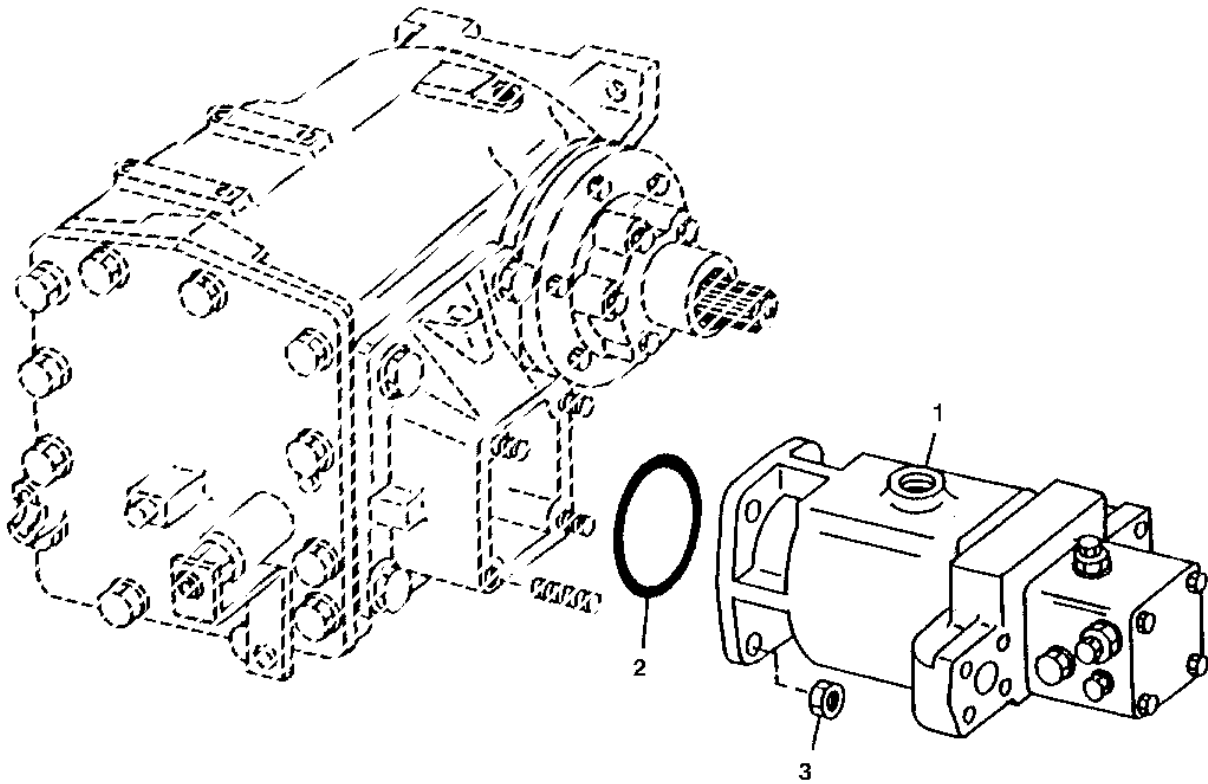
MUD SHIELDS-POWERED REAR WHEELS

HP4801 -UN-01JAN94



| KEY | PART NO. | PART NAME | QTY | SERIAL NO. | REMARKS |
|-----|----------|------------|-----|------------|------------|
| 1 | H146088 | SHIELD | 1 | | LEFT-HAND |
| | H146089 | SHIELD | 1 | | RIGHT-HAND |
| 2 | H145247 | HALF CLAMP | 2 | | |
| 3 | 19M7801 | SCREW | 2 | | M8 X 60 |
| | 14M7298 | FLANGE NUT | 2 | | M8 |

HYDROSTATIC DRIVE MOTOR
HP6551 -UN-23AUG96



HP6551

4G5

POWER TRAIN

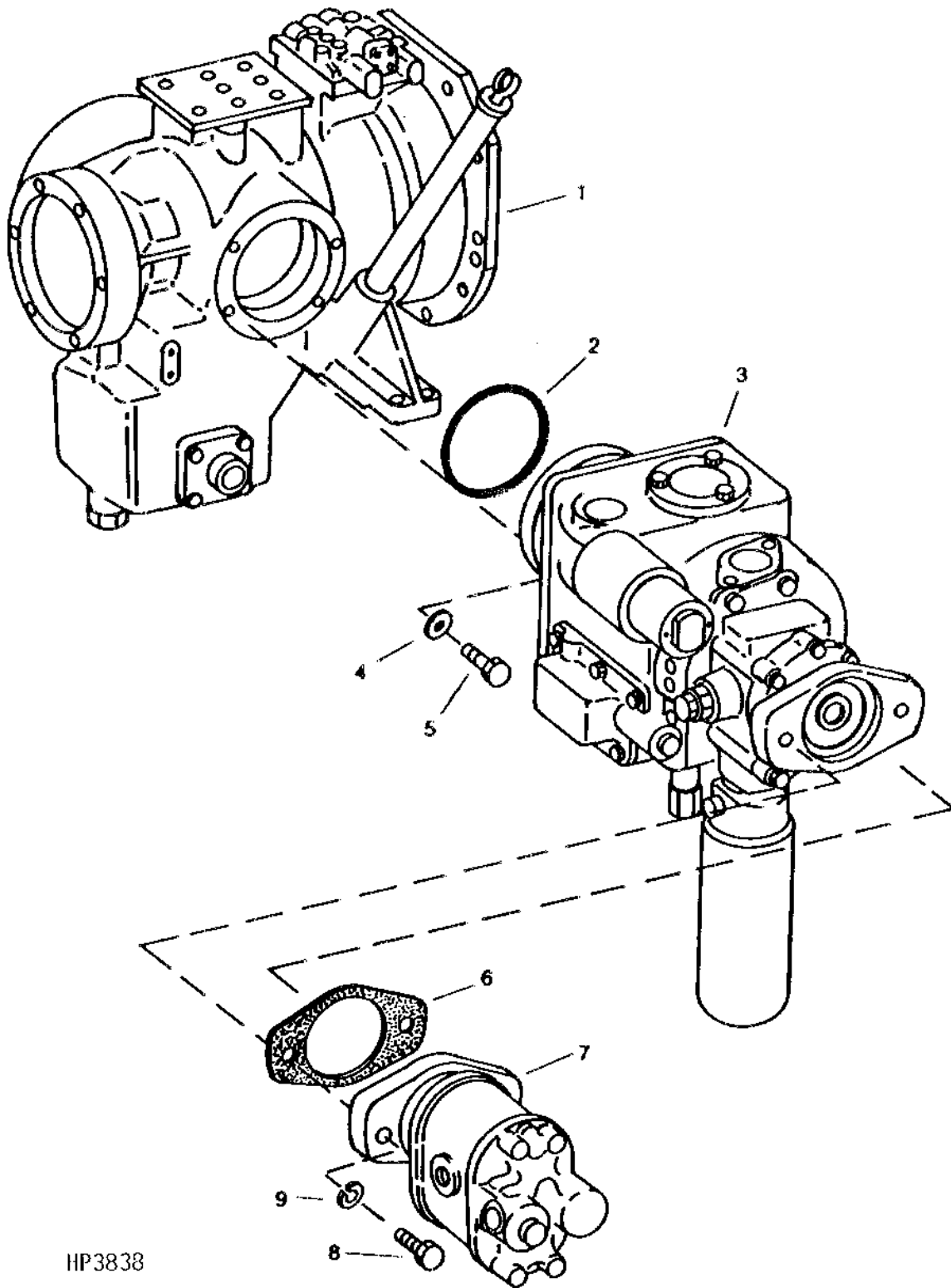
HYDROSTATIC DRIVE MOTOR - CONTINUED

| KEY | PART NO. | PART NAME | QTY | SERIAL NO. | REMARKS |
|-----|----------|------------|-----|------------|--------------------------------------|
| 1 | AH131310 | MOTOR | 1 | | RING AND PINION |
| | AH131390 | MOTOR | 1 | | PLANETARY |
| 2 | R63308 | O-RING | 1 | | 120.015 X 5.334 MM (4.725" X 0.210") |
| 3 | 14M7299 | FLANGE NUT | 4 | | M12 |

4G6

POWER TRAIN

ENGINE GEARCASE - HYDROSTATIC DRIVE PUMP - MAIN HYDRAULIC PUMP CONNECTING HARDWARE
HP3838 -UN-01JAN94



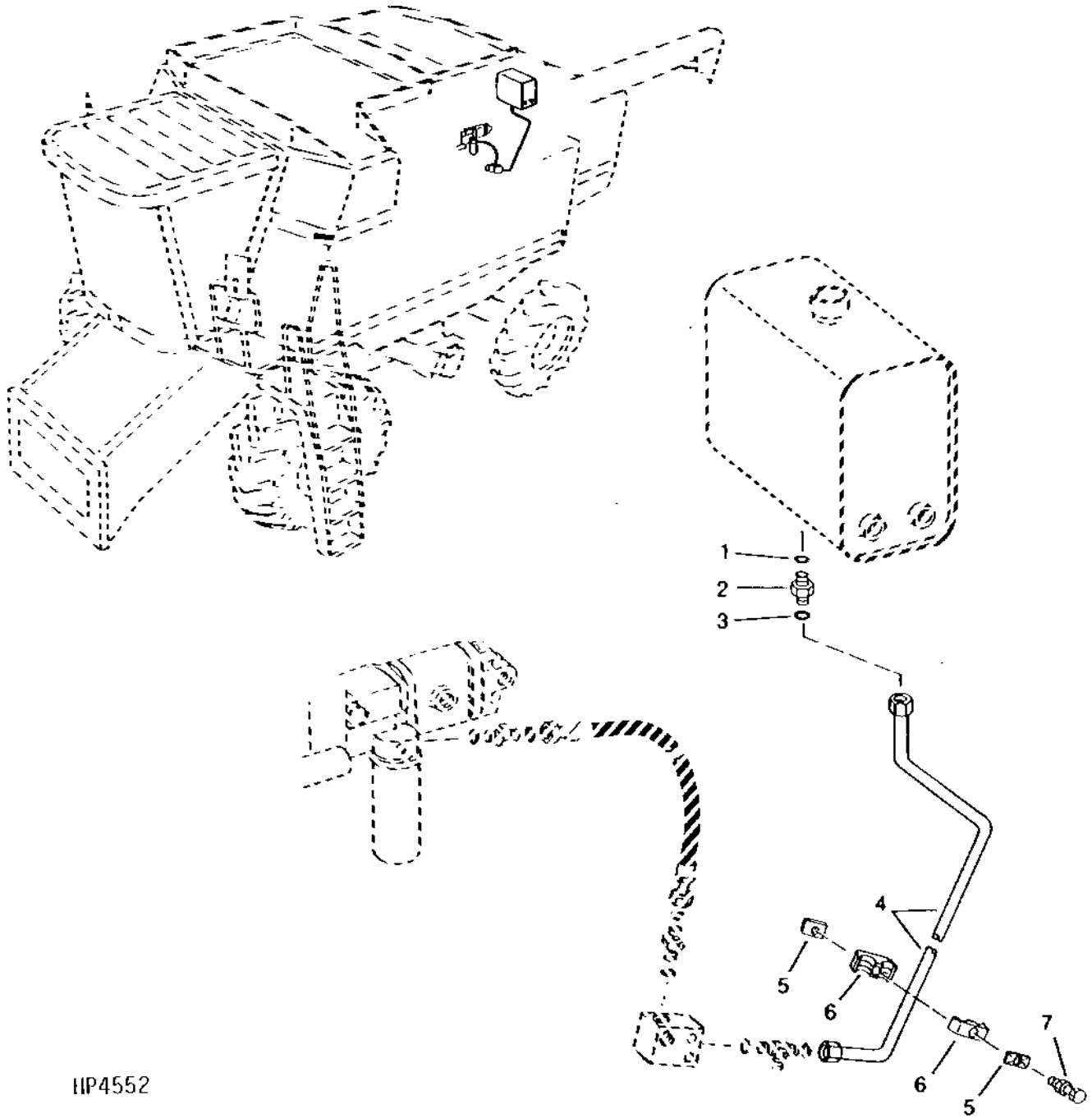
HP3838

ENGINE GEARCASE - HYDROSTATIC DRIVE PUMP - MAIN HYDRAULIC PUMP CONNECTING HARDWARE-CONT.

| KEY | PART NO. | PART NAME | QTY | SERIAL NO. | REMARKS |
|-----|----------|----------------|-----|---------------------------|---|
| 1 | AH139321 | GEAR CASE | 1 | (SUB FOR AH134861) | RING AND PINION |
| | AH139320 | GEAR CASE | 1 | (SUB FOR AH134860) | PLANETARY |
| 2 | R63308 | O-RING | 1 | | 120.015 X 5.334 MM (4.725" X 0.210") |
| 3 | AH131305 | PUMP | 1 | (SUB AH160785 AND E65288) | RING AND PINION |
| | AH131385 | HYDRAULIC PUMP | 1 | (SUB AH160790 AND E65288) | PLANETARY |
| | AH160785 | PUMP | 1 | | REMANUFACTURED |
| | AH160790 | HYDRAULIC PUMP | 1 | | REMANUFACTURED |
| 4 | T29342 | WASHER | 1 | | 13.487 X 31.750 X 4.572 MM (17/32" X 1-1/4" X 0.180") |
| 5 | 19M7493 | CAP SCREW | 1 | | M12 X 40 |
| 6 | H131121 | GASKET | 1 | (SHOWN) | (USE WITH AH131305 AND AH131385) |
| | E65288 | O-RING | 1 | | (USE WITH AH160785 AND AH160790) |
| 7 | AH131183 | HYDRAULIC PUMP | 1 | | RING AND PINION |
| | AH131175 | HYDRAULIC PUMP | 1 | | PLANETARY |
| 8 | 19H1732 | CAP SCREW | 4 | | 3/8" X 1-1/4" |
| 9 | 12H304 | LOCK WASHER | 4 | | 3/8" |

RETURN LINE TO RESERVOIR - 4-WHEEL DRIVE

(640301-)
HP4552 -UN-01JAN94



HP4552

4G9

POWER TRAIN

RETURN LINE TO RESERVOIR - 4-WHEEL DRIVE - CONTINUED
(640301-)

| KEY | PART NO. | PART NAME | QTY | SERIAL NO. | REMARKS |
|-----|----------|----------------|-----|------------|------------------------------------|
| 1 | R26448 | O-RING | 1 | | 11.887 X 1.981 MM (0.468" X 5/64") |
| 2 | 38H1160 | ADAPTER | 1 | | |
| 3 | T77613 | O-RING | 1 | | 9.246 X 1.778 MM (0.364" X 0.070") |
| 4 | AH130445 | HYDRAULIC LINE | 1 | | |
| 5 | H112567 | PLATE | 2 | | |
| 6 | H114865 | CLAMP | 2 | | |
| 7 | 19M7801 | SCREW | 1 | | M8 X 60 |
| | 14M7298 | FLANGE NUT | 1 | | M8 |

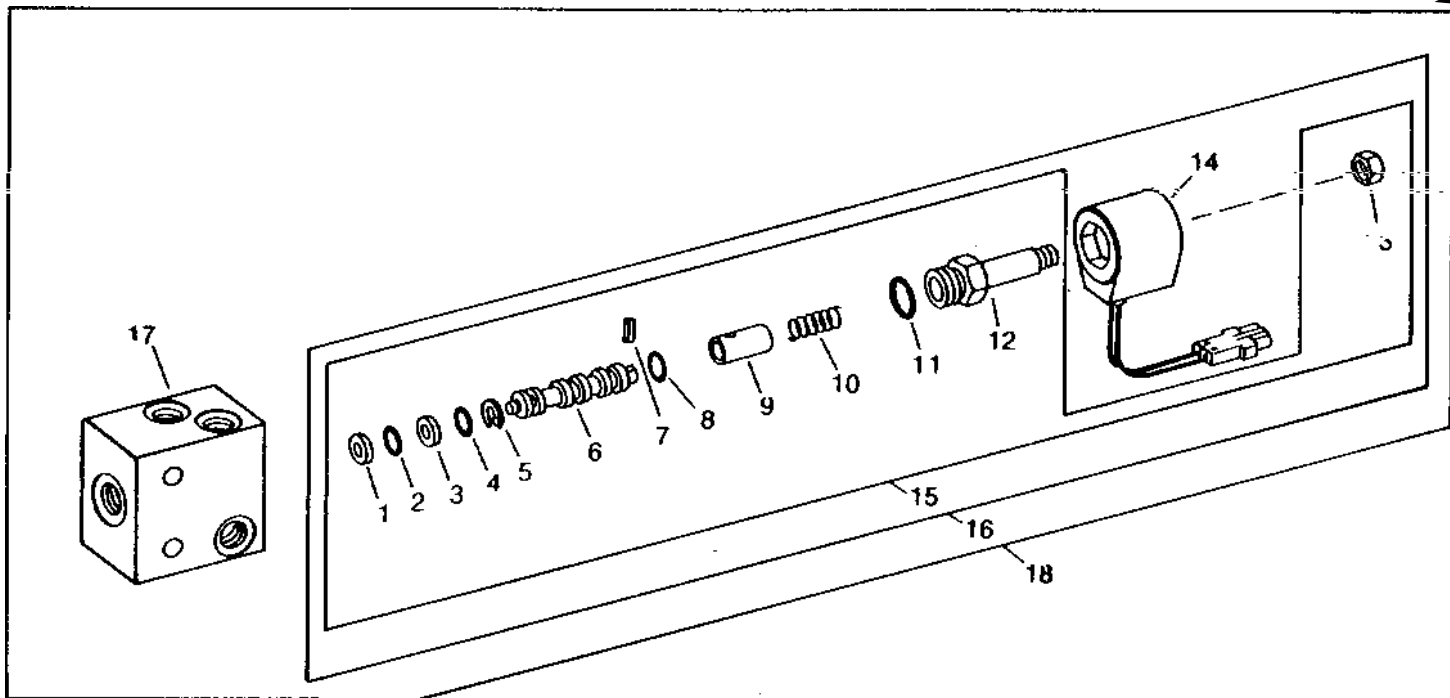
MEMORANDA

4G12

PARKING BRAKE VALVE

(-640300)

HP2987 -UN-01JAN94

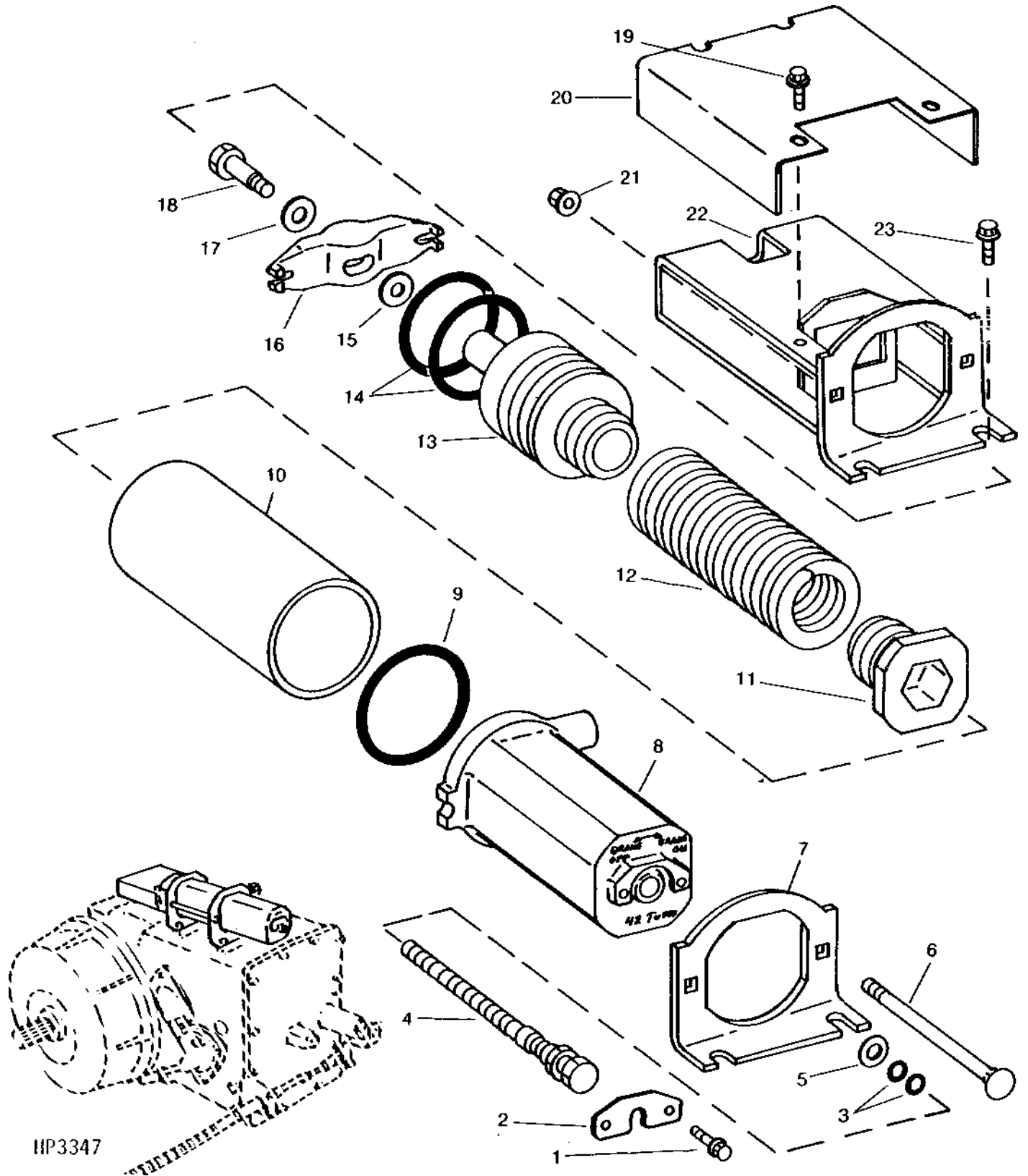


HP 2987

| KEY | PART NO. | PART NAME | QTY | SERIAL NO. | REMARKS |
|-----|----------|----------------------------|-----|------------|---|
| 1 | R42926 | BACK-UP RING | 1 | | 13.157 X 15.850 X 1.143 MM (0.518" X 0.624" X 0.045") |
| 2 | T77857 | O-RING | 1 | | 12.421 X 1.778 MM (0.489" X 0.070") (SUB FOR R45186) |
| 3 | R45187 | BACK-UP RING | 1 | | 16.332 X 19.025 X 1.143 MM (0.643" X 0.749" X 0.045") |
| 4 | R45638 | O-RING | 1 | | 15.596 X 1.778 MM (0.614" X 0.070") |
| 5 | R46701 | SNAP RING | 1 | | |
| 6 | | VALVE SPOOL | 1 | | |
| 7 | 34H227 | SPRING PIN | 1 | | 3/32" X 1/2" |
| 8 | N31772 | O-RING | 1 | | 18.771 X 1.778 MM (0.739" X 0.070") |
| 9 | | PLUNGER | 1 | | |
| 10 | R64698 | SPRING | 1 | | |
| 11 | U12547 | O-RING | 1 | | 23.470 X 2.946 MM (0.924" X 0.116") |
| 12 | | GUIDE | 1 | | |
| 13 | M63707 | LOCK NUT | 1 | | 6.350 MM (1/4") |
| 14 | AH128654 | ELECTRICAL COIL | 1 | | |
| | R78053 | PIN CONTACT CONNECTOR BODY | 1 | | (PKG OF 3) |
| | R78059 | ELECTRICAL PLUG | 1 | | (PKG OF 40) |
| | R78061 | PIN CONTACT | 1 | | (PKG OF 40) |
| 15 | AH130949 | SOLENOID VALVE | 1 | | |
| 16 | AH128655 | SOLENOID VALVE | 1 | | |
| 17 | H133827 | VALVE | 1 | | |
| 18 | AH128990 | VALVE | 1 | | |

4G13

PARK BRAKE ACTUATOR
(-640300)
HP3347 -UN-01JAN94



HP3347

4G14

STEERING AND BRAKES

PARK BRAKE ACTUATOR - CONTINUED
(-640300)

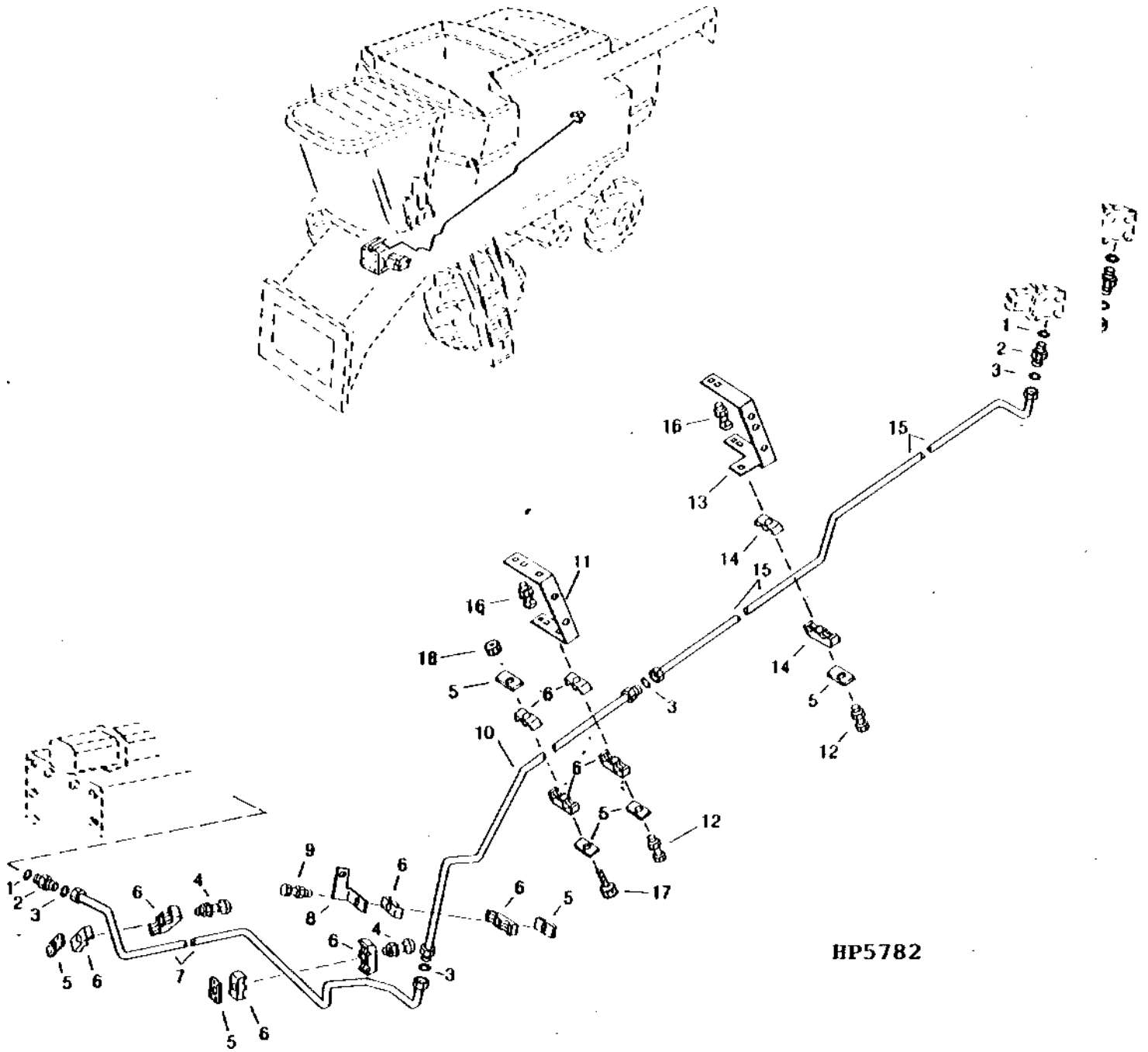
| KEY | PART NO. | PART NAME | QTY | SERIAL NO. | REMARKS |
|-----|----------|------------------|-----|------------|--|
| 1 | 19M7865 | SCREW | 2 | | |
| 2 | H140333 | RETAINER | 1 | -632250 | |
| | H140322 | RETAINER | 1 | 632251- | |
| 3 | A3917R | O-RING | 2 | | 9.246 X 1.778 MM (0.364" X 0.070") |
| 4 | H133743 | CRANK | 1 | | (SUB H140322, H140299, H140308 AND (2) 19M7865) |
| | H140308 | CRANK | 1 | | |
| 5 | 24M7240 | WASHER | 1 | | 13 X 25 X 3 MM |
| 6 | 03M7313 | BOLT | 2 | | M8 X 140, HARDENED |
| 7 | H133745 | FLANGE | 1 | | |
| 8 | H133738 | HOUSING | 1 | | (SUB H140322, H140308, H140299 AND (2) 19M7865) |
| | H140299 | HOUSING | 1 | | |
| 9 | H80821 | O-RING | 1 | | 75.921 X 1.778 MM (2.989" X 0.070") |
| 10 | H133742 | BUSHING | 1 | | |
| 11 | H133739 | CAP | 1 | | |
| 12 | H133747 | EXTENSION SPRING | 1 | | |
| 13 | H133740 | PISTON | 1 | | |
| 14 | U10063 | O-RING | 2 | | 59.690 X 5.334 MM (2.350" X 0.210") |
| 15 | 24M7238 | WASHER | 1 | | 8.700 X 17 X 2 MM |
| 16 | H133741 | BALANCER | 1 | | |
| 17 | 24M7239 | WASHER | 1 | | 10.700 X 21 X 2.500 MM |
| 18 | H119007 | SCREW | 1 | | M8 X 49 SHOULDER |
| 19 | 37M7083 | SCREW | 2 | | M8 X 12 |
| 20 | H133748 | SHIELD | 1 | -640300 | |
| 21 | 14M7298 | FLANGE NUT | 2 | | M8, FLANGE |
| 22 | AH128889 | BRACKET | 1 | | |
| 23 | 19M7865 | SCREW | 4 | | M8 X 16 |

4G15

PARKING BRAKE LINES, LOWER

(-640300)

HP5782 -UN-01JAN94



HP5782

4G16

STEERING AND BRAKES

PARKING BRAKE LINES, LOWER - CONTINUED
(-640300)

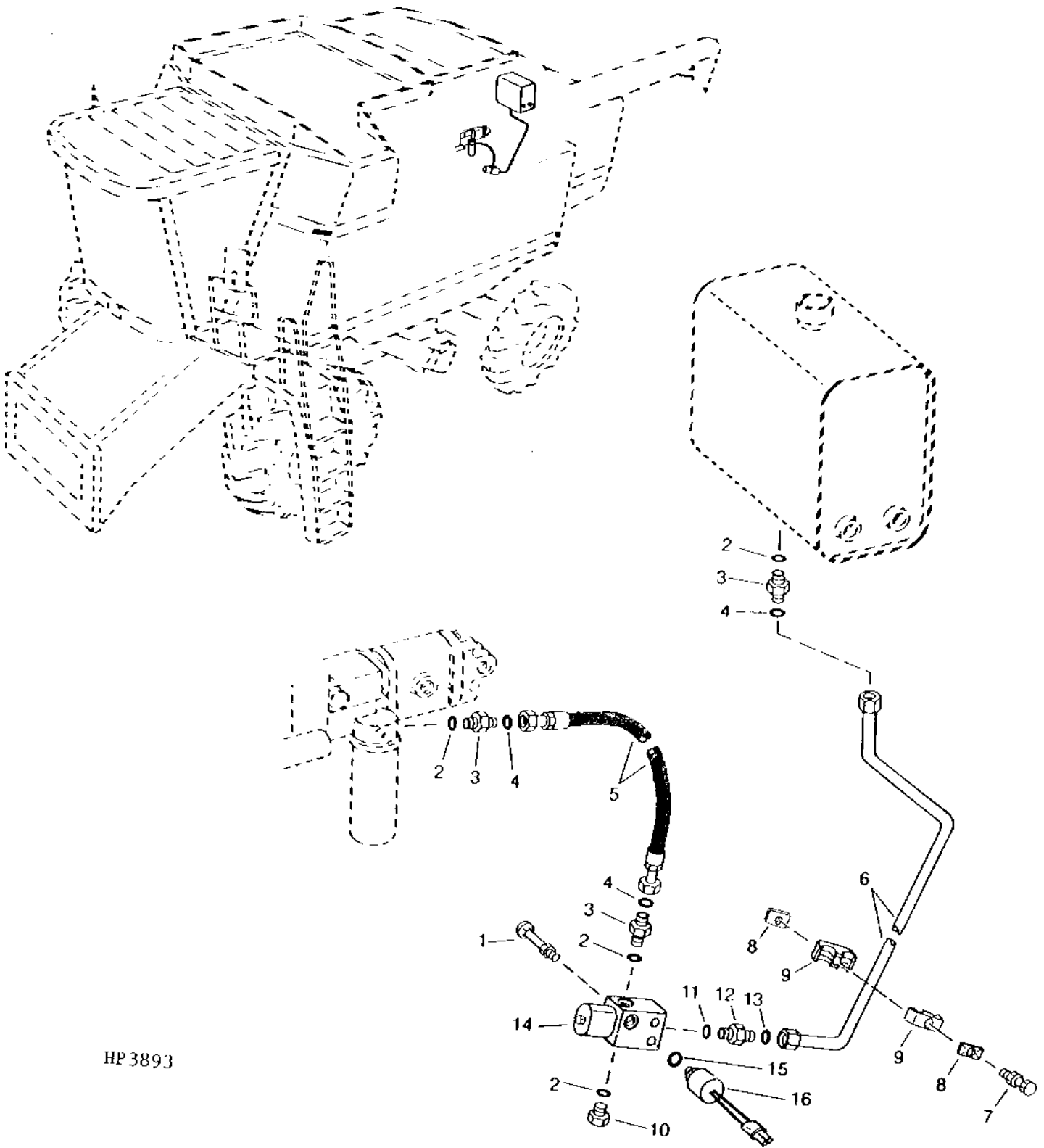
| KEY | PART NO. | PART NAME | QTY | SERIAL NO. | REMARKS |
|-----|----------|----------------|-----|------------|------------------------------------|
| 1 | R26448 | O-RING | 2 | | 11.887 X 1.981 MM (0.468" X 5/64") |
| 2 | 38H1160 | ADAPTER | 2 | | |
| 3 | T77613 | O-RING | 4 | | 9.246 X 1.778 MM (0.364" X 0.070") |
| 4 | 03M7262 | BOLT | 2 | | M6 X 50 |
| | 14M7303 | FLANGE NUT | 2 | | M6 |
| 5 | H121168 | PLATE | 6 | | |
| 6 | H135156 | CLAMP | 9 | | (SUB FOR H108291) |
| 7 | AH131577 | OIL LINE | 1 | | (PLANETARY FINAL DRIVE ONLY) |
| 8 | H135974 | BRACKET | 1 | | |
| 9 | 19M8317 | SCREW | 1 | | M8 X 40 |
| | 14M7298 | FLANGE NUT | 1 | | M8 |
| 10 | AH131575 | HYDRAULIC LINE | 1 | | |
| 11 | H131115 | BRACKET | 1 | | |
| 12 | 19M8318 | SCREW | 2 | | M8 X 45 |
| | 14M7298 | FLANGE NUT | 2 | | M8 |
| 13 | H133659 | BRACKET | 1 | | |
| 14 | H109046 | CLAMP | 2 | | |
| 15 | AH131299 | OIL LINE | 1 | | |
| 16 | 19M7866 | SCREW | 8 | | M8 X 20 |
| | 14M7396 | LOCK NUT | 8 | | |
| 17 | 19M8319 | SCREW | 1 | | M8 X 50 |
| 18 | 14M7298 | FLANGE NUT | 1 | | M8 |

4G17

PARKING BRAKE LINES AND HOSES, UPPER

(-640300)

HP3893 -UN-01JAN94



HP3893

4G18

STEERING AND BRAKES

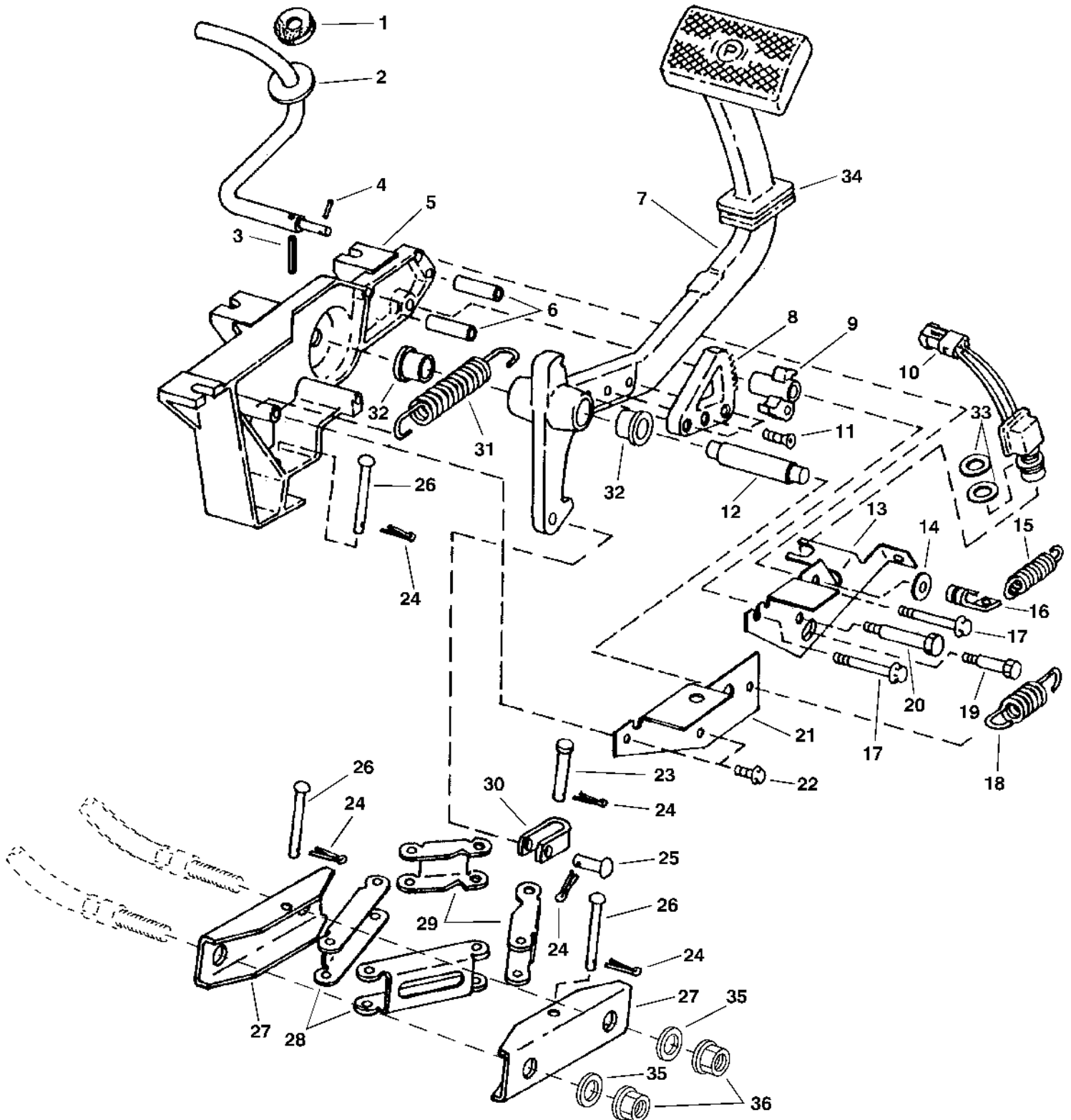
PARKING BRAKE LINES AND HOSES, UPPER - CONTINUED
(-640300)

| KEY | PART NO. | PART NAME | QTY | SERIAL NO. | REMARKS |
|-----|----------|----------------|-----|---|---------|
| 1 | 03M7223 | BOLT | 2 | M8 X 60 | |
| | 14M7298 | FLANGE NUT | 2 | M8 | |
| 2 | R26448 | O-RING | 4 | 11.887 X 1.981 MM (0.468" X 5/64") | |
| 3 | 38H1160 | ADAPTER | 3 | | |
| 4 | T77613 | O-RING | 3 | 9.246 X 1.778 MM (0.364" X 0.070") | |
| 5 | AH128894 | HYDRAULIC HOSE | 1 | 11/16" X 505 MM (20") X 11/16" (PRESSURE) | |
| 6 | AH130445 | HYDRAULIC LINE | 1 | (RETURN) | |
| 7 | 19M7801 | SCREW | 1 | M8 X 60 | |
| | 14M7298 | FLANGE NUT | 1 | M8 | |
| 8 | H112567 | PLATE | 2 | | |
| 9 | H114865 | CLAMP | 2 | | |
| 10 | R27218 | FITTING PLUG | 1 | | |
| 11 | R26375 | O-RING | 1 | 16.358 X 2.210 MM (0.644" X 0.087") | |
| 12 | 38H1213 | ADAPTER | 1 | | |
| | R39112 | FITTING | 1 | TO PLUG FITTING WHEN 4-WHEEL DRIVE NOT USED | |
| 13 | T77857 | O-RING | 1 | 12.421 X 1.778 MM (0.489" X 0.070") | |
| 14 | AH128990 | VALVE | 1 | (PARK BRAKE) | |
| 15 | R28782 | O-RING | 1 | 8.915 X 1.829 MM (0.351" X 0.072") | |
| 16 | AH128929 | SWITCH | 1 | | |

4G19

PARKING BRAKE PEDAL AND SEAL

(640301-)
HP6710 -UN-14MAY97



HP6710

4G20

STEERING AND BRAKES

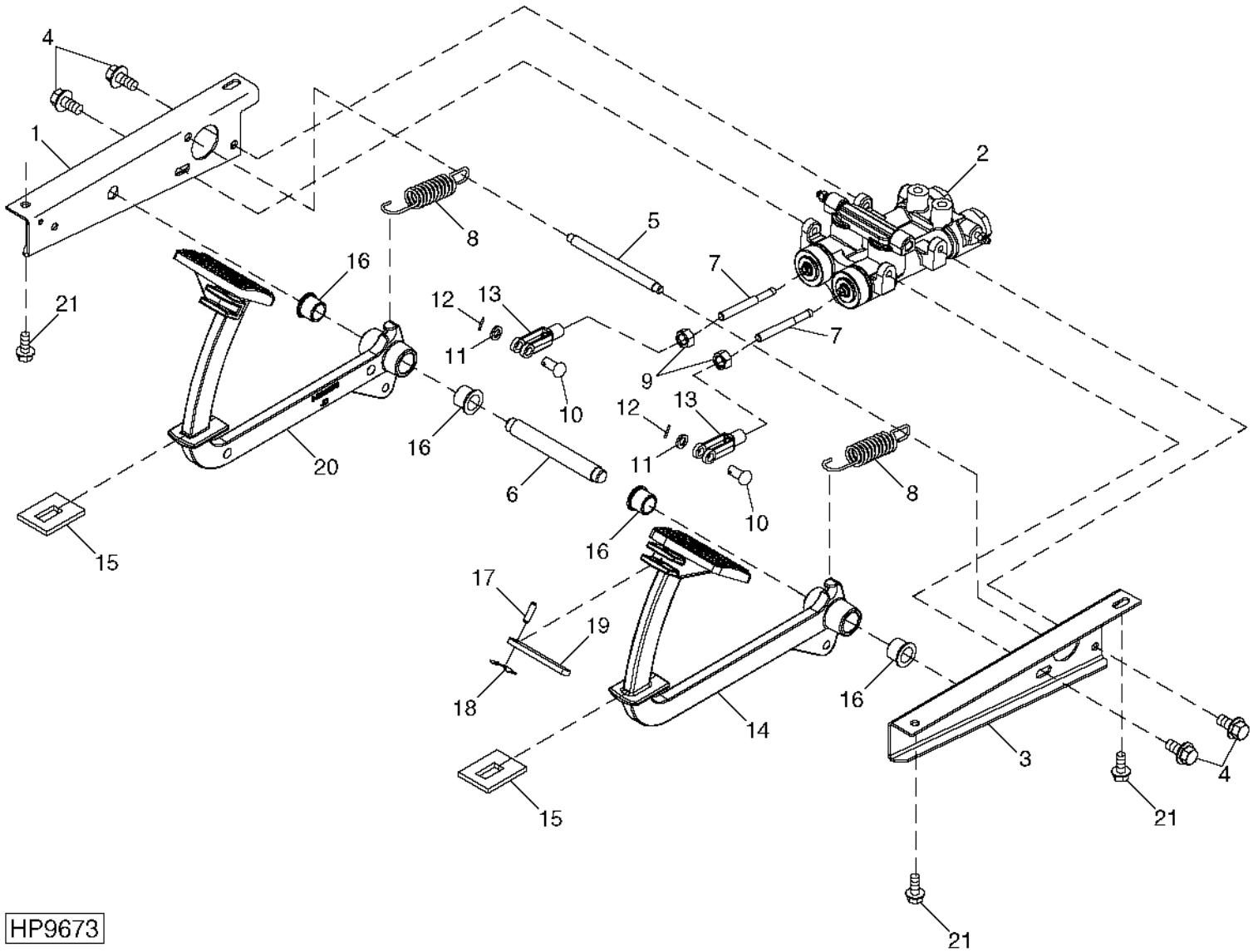
PARKING BRAKE PEDAL AND SEAL - CONTINUED (640301-)

| KEY | PART NO. | PART NAME | QTY | SERIAL NO. | REMARKS |
|-----|----------|------------|-----|--|---------|
| 1 | H145847 | ISOLATOR | 1 | | |
| 2 | AH146492 | ARM | 1 | (SUB FOR AH135695) | |
| 3 | 34M7124 | SPRING PIN | 1 | 8 X 30 MM | |
| 4 | 34M7116 | SPRING PIN | 1 | 3 X 24 MM | |
| 5 | H140595 | FRAME | 1 | | |
| 6 | 28H1633 | BUSHING | 2 | 9.246 X 13.716 X 39.675 MM (0.364" X 0.540" X 1-9/16") | |
| 7 | H140620 | PEDAL | 1 | | |
| 8 | H140746 | RATCHET | 1 | | |
| 9 | H140747 | PAWL | 1 | | |
| 10 | AH140605 | SWITCH | 1 | (SUB FOR AH123025) | |
| 11 | H140692 | SCREW | 1 | M8 X 30 | |
| 12 | H140708 | PIN | 1 | 20 X 92 MM (0.787" X 3.622") | |
| 13 | H146327 | PLATE | 1 | (SUB FOR H141246) | |
| 14 | H110232 | WASHER | 1 | 10.310 X 22.600 X 1.500 MM (0.406" X 0.890" X 0.059") | |
| 15 | R60730 | SPRING | 1 | | |
| 16 | H141069 | HOOK | 1 | | |
| 17 | 19M7801 | SCREW | 2 | M8 X 60 | |
| 18 | H124258 | SPRING | 1 | | |
| 19 | H140715 | BOLT | 1 | M8 X 40 | |
| 20 | H140712 | BOLT | 1 | M10 X 67 | |
| 21 | H140691 | PLATE | 1 | | |
| 22 | 19M7867 | SCREW | 1 | M8 X 25 | |
| 23 | M43649 | PIN | 1 | 9.525 X 48.260 MM (3/8" X 1.900") | |
| 24 | 11M7081 | COTTER PIN | 4 | 2.500 X 20 MM | |
| 25 | RV702A | PIN | 5 | 9.525 X 28.575 MM (3/8" X 1-1/8") | |
| 26 | H109716 | PIN | 3 | 8 X 69.850 MM (0.315" X 2-3/4") | |
| 27 | H140694 | BALANCER | 2 | | |
| 28 | H140695 | LINK | 2 | | |
| 29 | H140696 | LINK | 2 | | |
| 30 | H140713 | CLEVIS | 1 | | |
| 31 | H104075 | SPRING | 1 | | |
| 32 | H105005 | BUSHING | 2 | | |
| 33 | 24H1375 | WASHER | 2 | 17.475 X 28.575 X 1.524 MM (11/16" X 1-1/8" X 0.060") | |
| 34 | H141422 | SEAL | 1 | | |
| 35 | 24M7207 | WASHER | 2 | 8.400 X 24 X 2 MM | |
| 36 | E64256 | LOCK NUT | 2 | M8 | |

4G21

BRAKE PEDALS AND MASTER CYLINDERS

HP9673 -UN-03APR00



HP9673

4G22

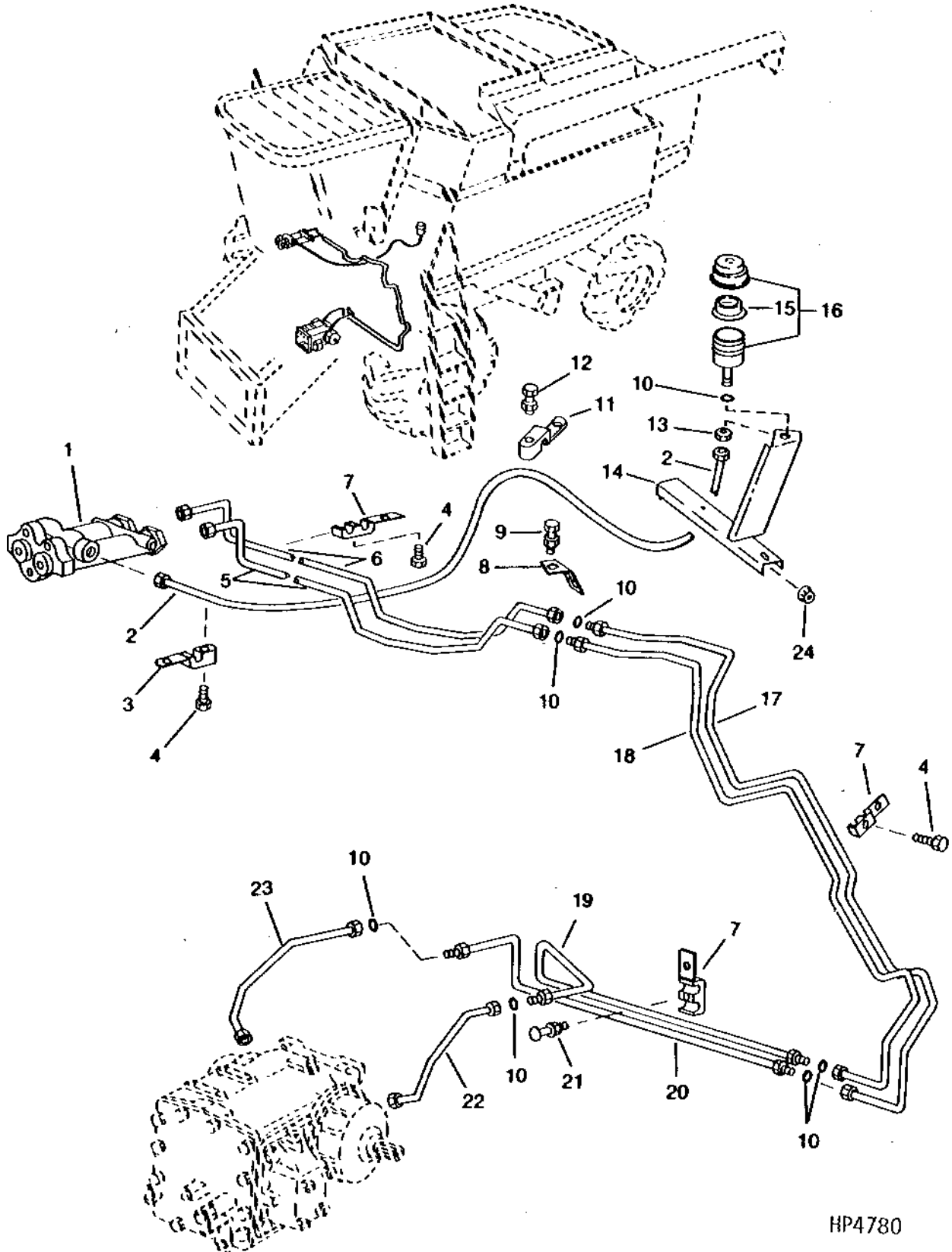
STEERING AND BRAKES

BRAKE PEDALS AND MASTER CYLINDERS - CONTINUED

| KEY | PART NO. | PART NAME | QTY | SERIAL NO. | REMARKS |
|-----|----------|------------|-----|------------|--|
| 1 | H156514 | SUPPORT | 1 | | (SUB FOR H130191) R.H. |
| 2 | AH160136 | CYLINDER | 1 | | (SUB FOR AH120637, AH136301 OR AH143737) |
| 3 | H156513 | SUPPORT | 1 | | (SUB FOR H130190) L.H. |
| 4 | 19M7784 | SCREW | 4 | | M10 X 20 |
| 5 | H120389 | PIN | 1 | | |
| 6 | H120388 | PIN | 1 | | |
| 7 | H124259 | STUD | 2 | | |
| 8 | H124258 | SPRING | 2 | | |
| 9 | 14M7274 | NUT | 2 | | M10 |
| 10 | 45M7118 | PIN | 2 | | (SUB FOR H114331) |
| 11 | 24M7028 | WASHER | 2 | | |
| 12 | 11M7059 | COTTER PIN | 2 | | |
| 13 | H114330 | YOKE | 2 | | |
| 14 | H172924 | PEDAL | 1 | | (SUB FOR H144270, H152166 OR H124254) L.H. |
| 15 | H111234 | SEAL | 2 | | |
| 16 | H105005 | BUSHING | 4 | | |
| 17 | 34H312 | SPRING PIN | 1 | | 1/4" X 1", (SUB FOR 34H101) |
| 18 | H95902 | SPRING | 1 | | |
| 19 | H99264 | STRAP | 1 | | |
| 20 | H172923 | PEDAL | 1 | | (SUB FOR H144269, H152165 OR H124255) R.H. |
| 21 | 19M7866 | SCREW | 4 | | M8 X 20 |

4G23

BRAKE LINES, MASTER CYLINDER AND RESERVOIR
HP4780 -UN-01JAN94



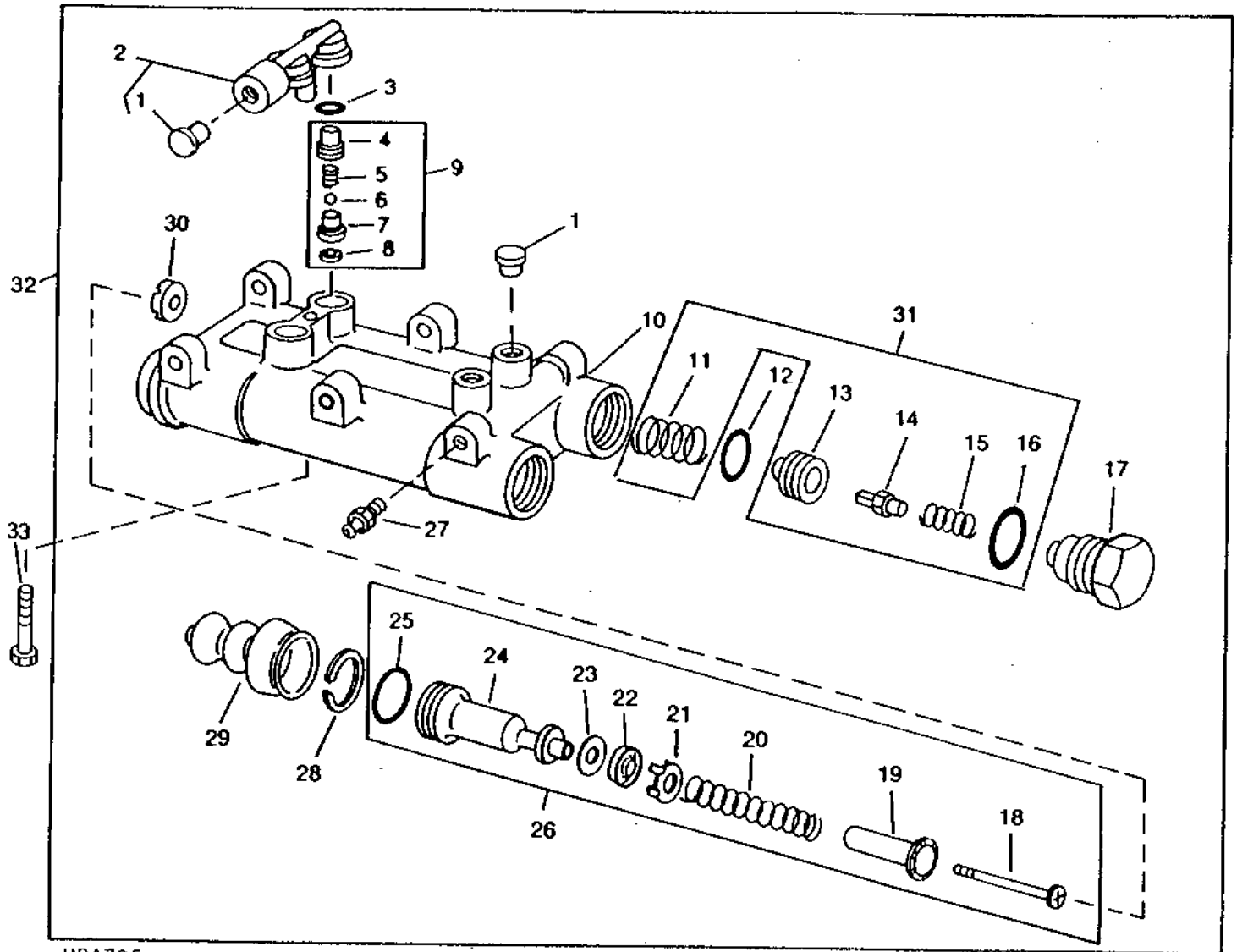
HP4780

BRAKE LINES, MASTER CYLINDER AND RESERVOIR - CONTINUED

| KEY | PART NO. | PART NAME | QTY | SERIAL NO. | REMARKS |
|-----|----------|------------|-----|------------|---|
| 1 | AH160136 | CYLINDER | 1 | | (SUB FOR AH120637, AH136301 AND AH143737) |
| | AH155831 | CYLINDER | 1 | | (SUB FOR AH146491 OR AH160137) FRENCH |
| 2 | AH130469 | OIL LINE | 1 | -650300 | |
| | AH141794 | OIL LINE | 1 | 650301- | |
| 3 | H112911 | CLAMP | 3 | | |
| 4 | 37M7131 | SCREW | 9 | | M6 X 20 |
| 5 | AH130416 | OIL LINE | 1 | -650300 | L.H. |
| | AH141686 | OIL LINE | 1 | 650301- | L.H. |
| 6 | AH130417 | OIL LINE | 1 | -650300 | R.H. |
| | AH141687 | OIL LINE | 1 | 650301- | R.H. |
| 7 | H112910 | CLAMP | 9 | | |
| 8 | H134343 | BRACKET | 1 | | |
| 9 | 19M7775 | SCREW | 3 | | M6 X 16 |
| | 14M7303 | FLANGE NUT | 3 | | M6 |
| 10 | H127752 | O-RING | 7 | | 7.645 X 1.778 MM (0.301" X 0.070") |
| 11 | H112911 | CLAMP | 1 | | |
| 12 | 19M7775 | SCREW | 3 | | M6 X 16 |
| | 14M7303 | FLANGE NUT | 3 | | M6 |
| 13 | 14H832 | NUT | 1 | | 9/16" |
| 14 | H131703 | SUPPORT | 1 | | |
| | AH136362 | SUPPORT | 1 | | |
| 15 | H109254 | DIAPHRAGM | 1 | | |
| 16 | AH130605 | RESERVOIR | 1 | | |
| 17 | AH130612 | OIL LINE | 1 | | R.H. |
| 18 | AH130613 | OIL LINE | 1 | | L.H. |
| 19 | AH130412 | OIL LINE | 1 | | L.H. |
| 20 | AH130413 | OIL LINE | 1 | | R.H. |
| 21 | 03M7290 | BOLT | 3 | | M6 X 30 |
| | 14M7303 | FLANGE NUT | 3 | | M6 |
| 22 | AH128842 | OIL LINE | 1 | | |
| 23 | AH128843 | OIL LINE | 1 | | |
| 24 | 14M7296 | FLANGE NUT | 2 | | M10 |

4H1

BRAKE MASTER CYLINDER
HP4735 -UN-01JAN94



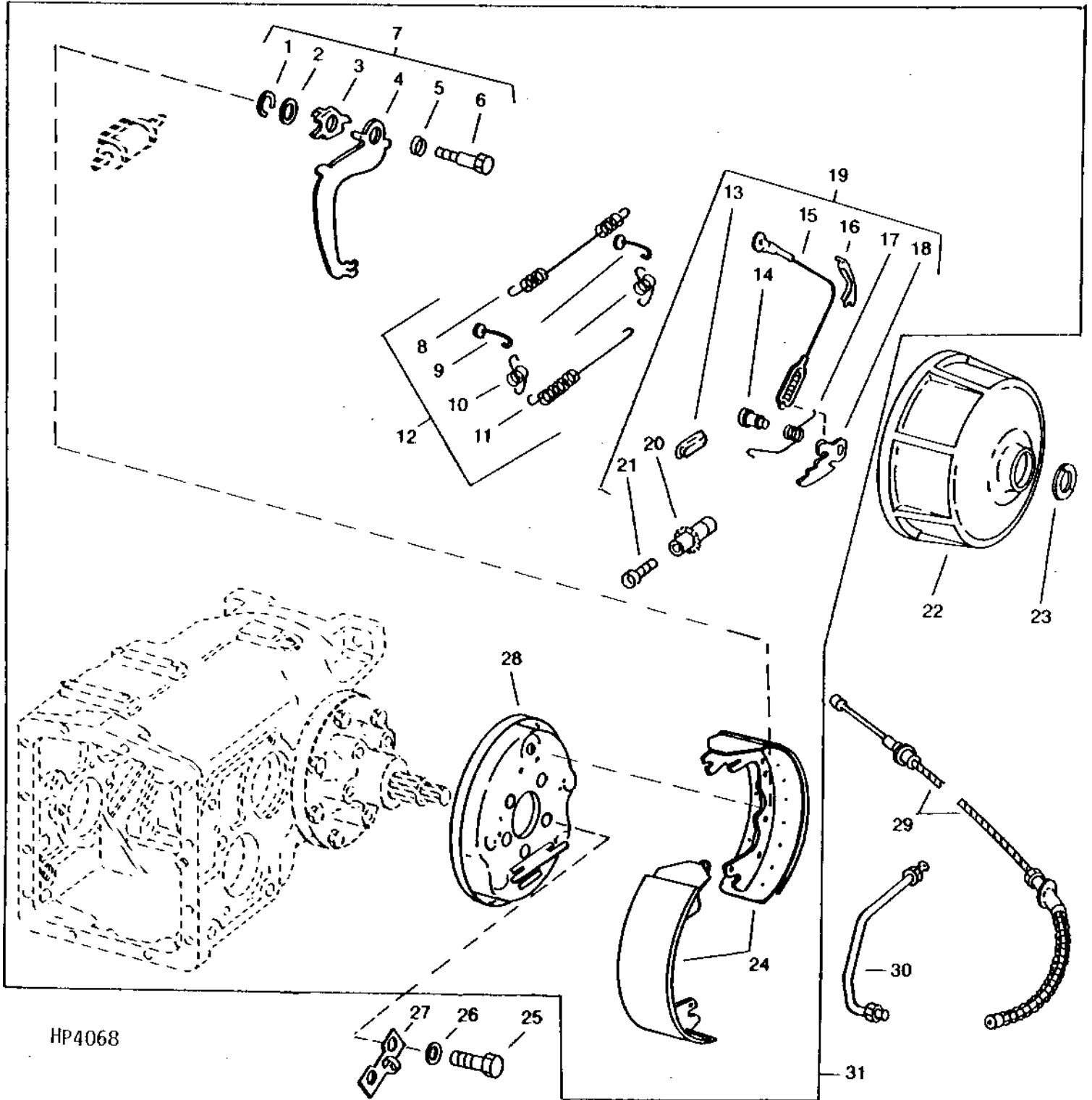
HP4735

4H2

BRAKE MASTER CYLINDER - CONTINUED

| KEY | PART NO. | PART NAME | QTY | SERIAL NO. | REMARKS |
|-----|----------|--------------|-----|--|---------|
| 1 | | SEAT | 3 | | |
| 2 | AH136305 | DEVICE | 1 | (SUB FOR AH133127) | |
| 3 | | O-RING | 2 | (KIT AH133128) | |
| 4 | | VALVE | 2 | | |
| 5 | | SPRING | 2 | | |
| 6 | | BALL | 2 | | |
| 7 | | VALVE SEAT | 2 | | |
| 8 | | SEAL | 2 | | |
| 9 | AH133126 | VALVE | 2 | | |
| 10 | | HOUSING | 1 | | |
| 11 | | SPRING | 2 | (A) | |
| | H141869 | SPRING | 2 | | |
| 12 | | O-RING | 2 | (KIT AH133128) | |
| 13 | | BEARING | 2 | (A) | |
| 14 | | POPPET | 2 | (A) | |
| 15 | | SPRING | 2 | (A) | |
| 16 | | O-RING | 2 | (A) | |
| 17 | H81467 | FITTING PLUG | 2 | | |
| 18 | | SCREW | 2 | | |
| 19 | | RETAINER | 2 | | |
| 20 | | SPRING | 2 | | |
| 21 | | RETAINER | 2 | | |
| 22 | | OIL CUP | 2 | | |
| 23 | | RETAINER | 2 | | |
| 24 | | PISTON | 2 | | |
| 25 | | O-RING | 2 | | |
| 26 | AH136304 | PISTON | 2 | (SUB FOR AH133125) | |
| 27 | R21612 | BLEED SCREW | 1 | | |
| 28 | | SNAP RING | 2 | (KIT AH133128) | |
| 29 | | BOOT | 2 | (KIT AH133128) | |
| 30 | H81461 | RETAINER | 2 | | |
| 31 | AH161485 | KIT | 1 | (SUB FOR AH138702) (INCLUDES PARTS MARKED (A)) | |
| 32 | AH160136 | CYLINDER | 1 | (SUB FOR AH120637, AH136301 OR AH143737) | |
| | AH155831 | CYLINDER | 1 | (SUB FOR AH146491 OR AH160137) FRENCH | |
| 33 | | BOLT | 1 | (KIT AH133128) | |
| .. | AH133128 | KIT | 1 | | |

BRAKE SHOES AND DRUM
(L.H. ILLUSTRATED)
HP4068 -UN-01JAN94



HP4068

4H4

STEERING AND BRAKES

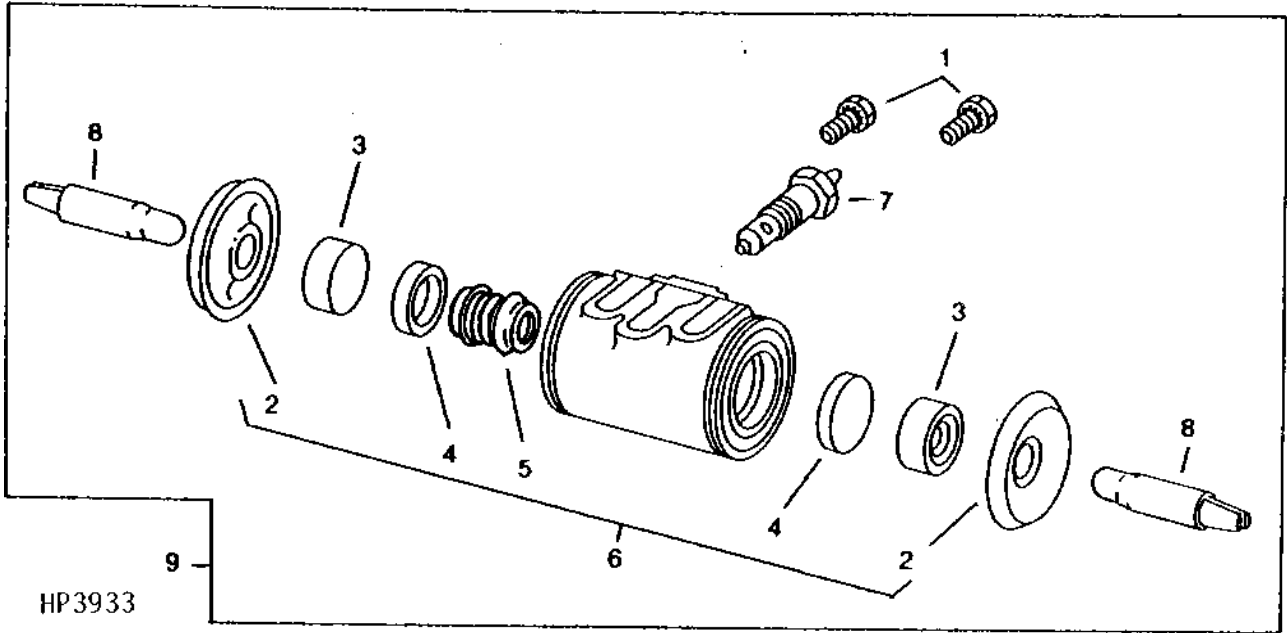
BRAKE SHOES AND DRUM - CONTINUED (L.H. ILLUSTRATED)

| KEY | PART NO. | PART NAME | QTY | SERIAL NO. | REMARKS |
|-----|----------|------------|-----|------------|---|
| 1 | | SNAP RING | 1 | | |
| 2 | | WASHER | 1 | | |
| 3 | | CAM | 1 | | |
| 4 | | LEVER | 1 | | |
| 5 | | SPRING | 1 | | |
| 6 | | BOLT | 1 | | (ANCHOR PIN) |
| 7 | AH131058 | KIT | 1 | | R.H. |
| | AH131059 | KIT | 1 | | L.H. |
| 8 | | SPRING | 1 | | (UPPER SHOE-TO-SHOE) |
| 9 | H140315 | LINK | 2 | | |
| 10 | | SPRING | 2 | | (LOWER SHOE-TO-SHOE) |
| 11 | | SPRING | 2 | | (HOLD DOWN) |
| 12 | AH131051 | KIT | 1 | | |
| 13 | | COVER | 1 | | (RUBBER) |
| 14 | | PIN | 1 | | |
| 15 | | CABLE | 1 | | |
| 16 | | GUIDE | 1 | | |
| 17 | | SPRING | 1 | | |
| 18 | | PAWL | 1 | | (ADJUSTER) |
| 19 | AH131054 | KIT | 1 | | R.H. |
| | AH131055 | KIT | 1 | | L.H. |
| 20 | | WHEEL | 1 | | |
| 21 | | SCREW | 1 | | |
| 22 | CE18206 | BRAKE DRUM | 2 | | (SUB FOR H136018) |
| 23 | B32564 | RING | 2 | | |
| 24 | AH132840 | BRAKE SHOE | 1 | | R.H. AND L.H. (SET OF 4) |
| 25 | 19M7597 | CAP SCREW | 5 | | M20 X 50 |
| 26 | N12679 | WASHER | 5 | | 20.625 X 38.100 X 3.404 MM (13/16" X 1-1/2" X 0.134") |
| 27 | H133351 | GUIDE | 2 | | |
| 28 | AH131062 | KIT | 1 | | |
| 29 | AH128723 | BRAKE | 1 | -640300 | PARK BRAKE CABLE |
| | AH141582 | CABLE | 1 | 640301- | (SUB FOR AH139284) |
| 30 | AH128842 | OIL LINE | 1 | | L.H. |
| | AH128843 | OIL LINE | 1 | | R.H. |
| | AH128840 | OIL LINE | 1 | | L.H. (PLANETARY FINAL DRIVE) |
| | AH128841 | OIL LINE | 1 | | R.H. (PLANETARY FINAL DRIVE) |
| 31 | AH134304 | BRAKE | 1 | | R.H. |
| | AH134305 | BRAKE | 1 | | L.H. |

NOTE: QUANTITIES SHOWN ARE FOR ONE UNIT. TWO UNITS USED PER MACHINE.

4H5

BRAKE SLAVE CYLINDER
HP3933 -UN-01JAN94

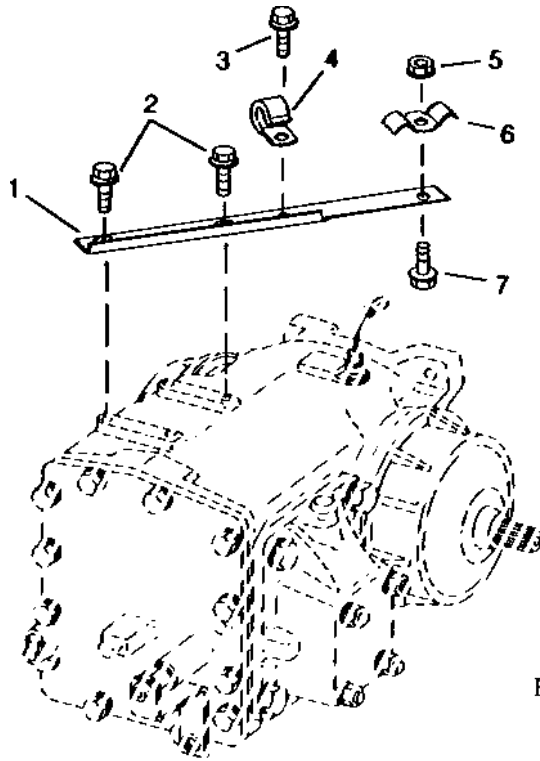


| KEY | PART NO. | PART NAME | QTY | SERIAL NO. | REMARKS |
|-----|----------|------------------------|-----|------------|--------------------------------------|
| 1 | 19H2020 | CAP SCREW | 2 | | (SUB FOR AW12765) (USE WITH 12M7032) |
| | 12M7032 | LOCK WASHER | 2 | | |
| 2 | | BOOT | 2 | | |
| 3 | | PISTON | 2 | | |
| 4 | | SEAL | 2 | | |
| 5 | | SPRING | 1 | | |
| 6 | AH131045 | HYDRAULIC CYLINDER KIT | 1 | | |
| 7 | W15277 | BLEED SCREW | 1 | | |
| 8 | H140135 | LINK | 2 | | |
| 9 | AH131048 | KIT | 1 | R.H. | |
| | AH131049 | HYDRAULIC CYLINDER KIT | 1 | L.H. | |

4H6

BRAKE CABLE SUPPORT BRACKET

(645307-)
HP5535 -UN-01JAN94



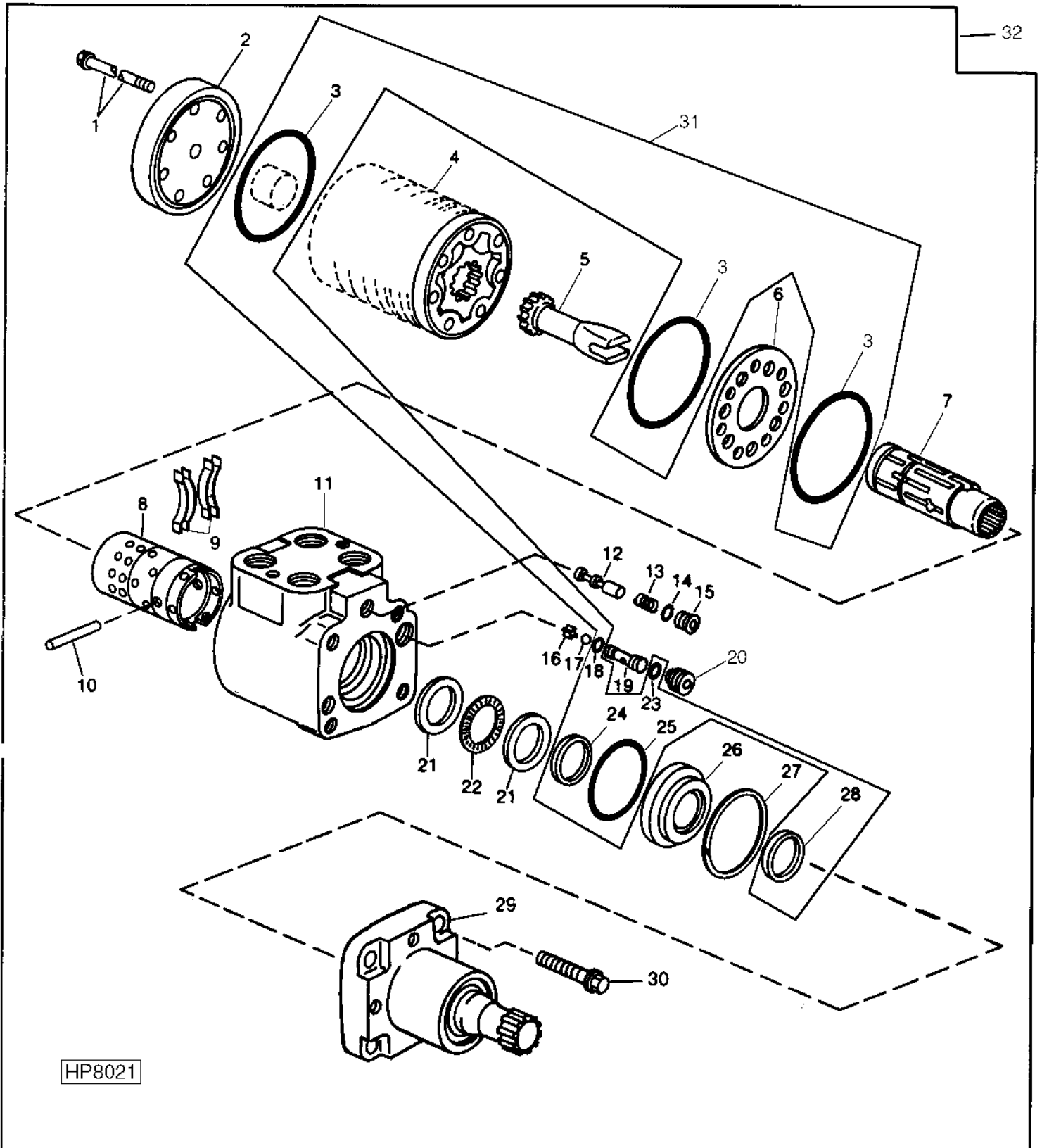
HP5535

| KEY | PART NO. | PART NAME | QTY | SERIAL NO. | REMARKS |
|-----|----------|------------|-----|------------|---------|
| 1 | H147004 | SUPPORT | 1 | | |
| 2 | 19M7865 | SCREW | 2 | M8 X 16 | |
| 3 | 37M7083 | SCREW | 1 | M8 X 12 | |
| 4 | AH89557 | CLIP | 1 | | |
| 5 | 14M7298 | FLANGE NUT | 1 | M8 | |
| 6 | R42009 | CLAMP | 1 | | |
| 7 | 19M7824 | SCREW | 1 | M16 X 60 | |

4H7

STEERING PUMP

HP8021 -UN-30NOV98



HP8021

4H8

STEERING AND BRAKES

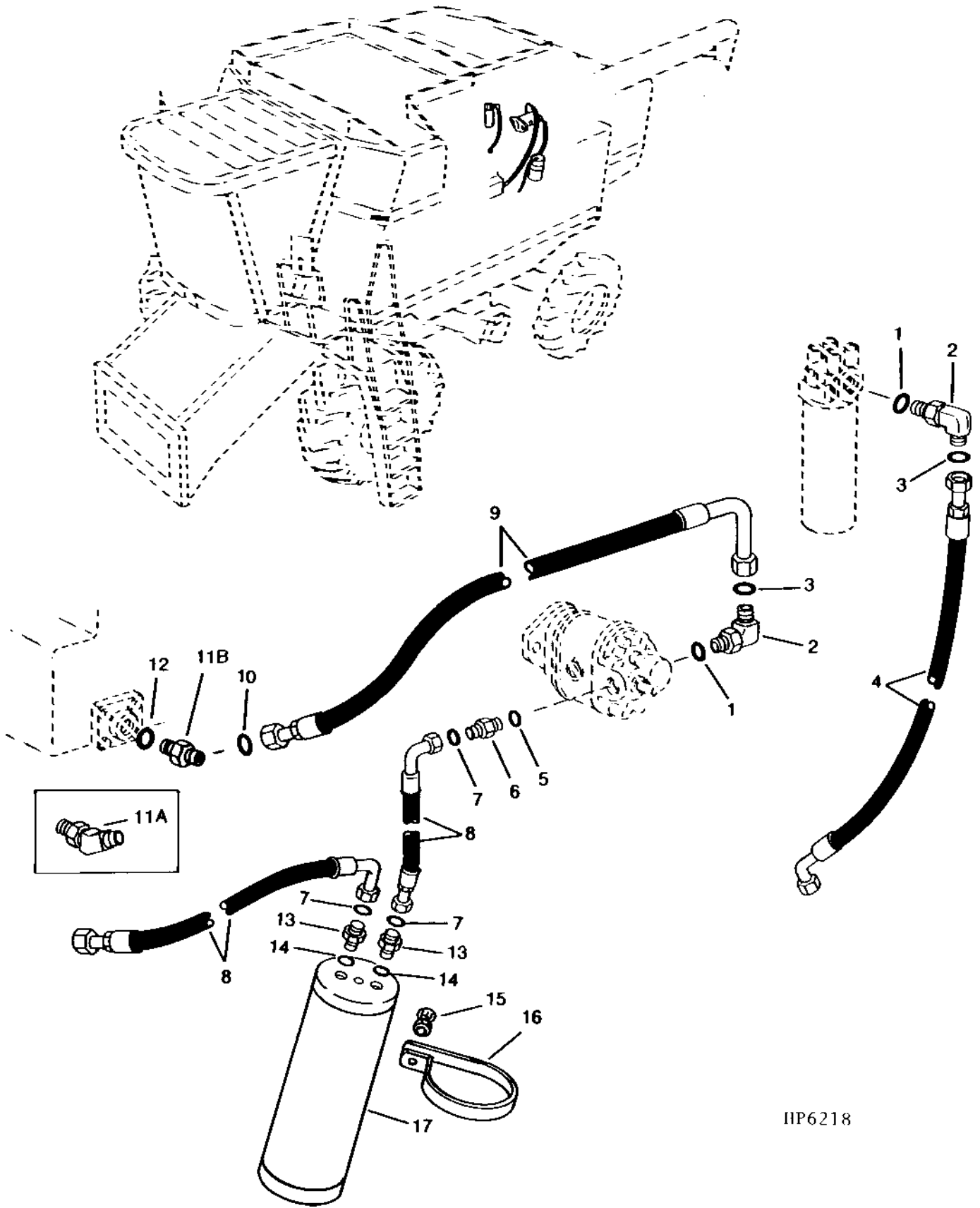
STEERING PUMP - CONTINUED

| KEY | PART NO. | PART NAME | QTY | SERIAL NO. | REMARKS |
|-----|----------|-----------------|-----|--|---------|
| 1 | | SCREW | 7 | (B) (B) | |
| 2 | | CAP | 1 | (B) (B) | |
| 3 | | SEAL | 3 | (A) (A) | |
| 4 | | ROTATOR | 1 | (B) (B) | |
| 5 | | DRIVE | 1 | (B) (B) | |
| 6 | | SPACER | 1 | (B) (B) | |
| 7 | | SPOOL | 1 | (B) (B) | |
| 8 | | SLEEVE | 1 | (B) (B) | |
| 9 | | SPRING ASSEMBLY | 1 | (B) (B) | |
| 10 | | PIN | 1 | (B) (B) | |
| 11 | | CONTROL | 1 | (B) (B) | |
| 12 | | PLUNGER | 1 | (B) (B) | |
| 13 | | SPRING | 1 | (B) (B) | |
| 14 | | O-RING | 1 | (B) (B) | |
| 15 | | CAP | 1 | (B) (B) | |
| 16 | | RETAINER | 1 | (B) (B) | |
| 17 | | BALL CHECK | 1 | (B) (B) | |
| 18 | | O-RING | 1 | (A) (A) | |
| 19 | | VALVE SEAT | 1 | (B) (B) | |
| 20 | | SET SCREW | 1 | (B) (B) | |
| 21 | | BEARING | 2 | (B) (B) | |
| 22 | | NEEDLE BEARING | 1 | (B) (B) | |
| 23 | | O-RING | 1 | (A) (A) | |
| 24 | | SEAL | 1 | (A) (A) | |
| 25 | | SEAL | 1 | (A) (A) | |
| 26 | | BUSHING | 1 | (B) (B) | |
| 27 | | SNAP RING | 1 | (B) (B) | |
| 28 | | SEAL | 1 | (A) (C) | |
| 29 | | HOUSING | 1 | (B) (B) | |
| 30 | | SCREW | 1 | (B) (B) | |
| 31 | AH142893 | SEAL KIT | 1 | (SUB FOR AT75941) INCLUDES PARTS MARKED (A) | |
| 32 | AH142441 | PUMP | 1 | (SUB FOR AH130126) (COMPLETE STEERING UNIT) INCLUDES PARTS MARKED (B) | |

4H9

HYDRAULIC STEERING HOSES, UPPER AND ATTENUATOR

HP6218 -UN-04JAN96



HP6218

4H10

STEERING AND BRAKES

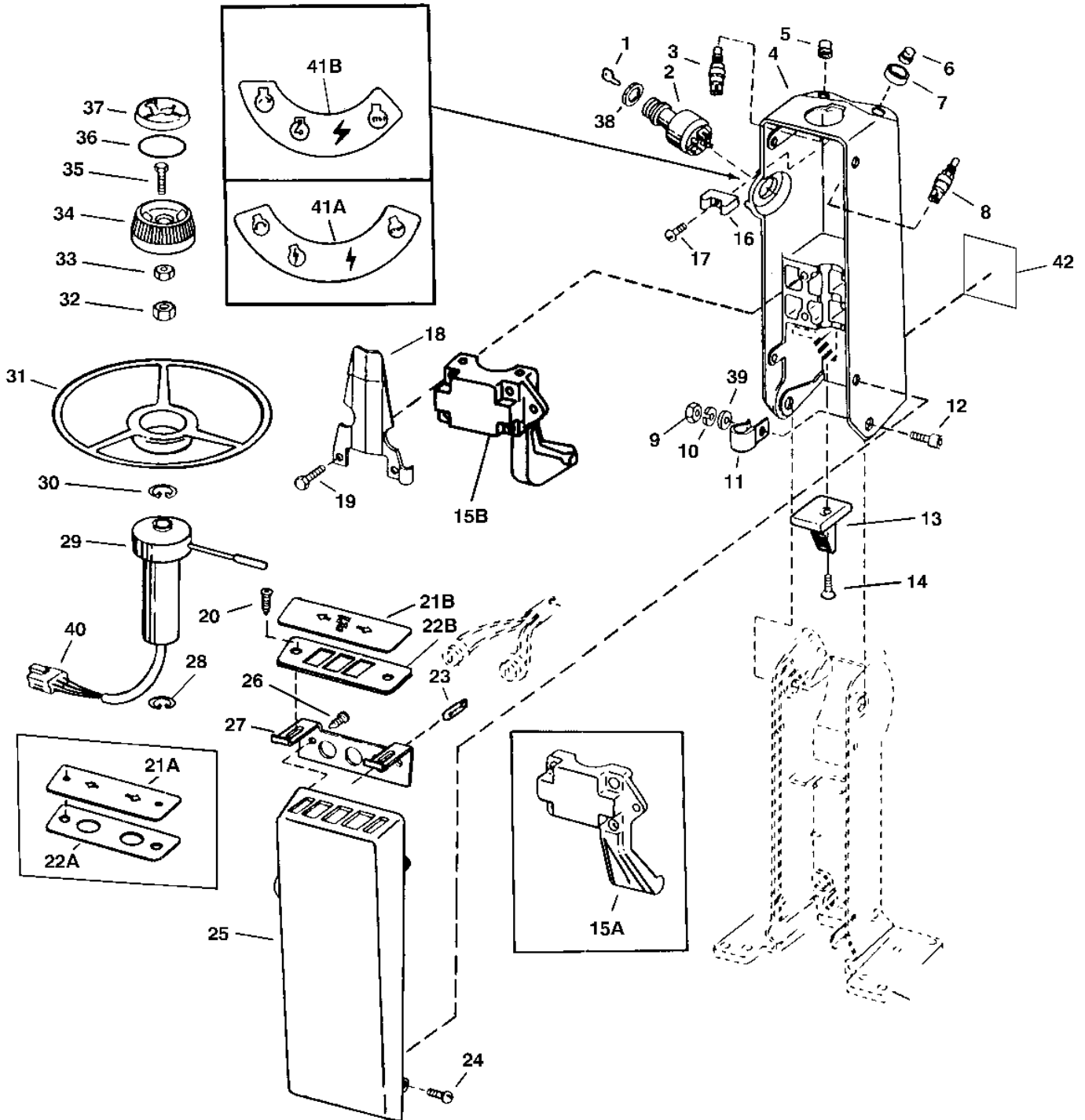
HYDRAULIC STEERING HOSES, UPPER AND ATTENUATOR - CONTINUED

| KEY | PART NO. | PART NAME | QTY | SERIAL NO. | REMARKS |
|-----|----------|----------------|-----|------------|--|
| 1 | U12547 | O-RING | 2 | | 23.470 X 2.946 MM (0.924" X 0.116") |
| 2 | 38H1007 | ELBOW FITTING | 2 | | |
| 3 | T77858 | O-RING | 2 | | 18.771 X 1.778 MM (0.739" X 0.070") |
| 4 | AH126254 | HYDRAULIC HOSE | 1 | | 1-3/16" X 600 MM (23-1/2") X 1" (RETURN) |
| 5 | R26375 | O-RING | 1 | | 16.358 X 2.210 MM (0.644" X 0.087") |
| 6 | 38H1161 | ADAPTER | 1 | | |
| 7 | T77857 | O-RING | 3 | | 12.421 X 1.778 MM (0.489" X 0.070") |
| 8 | AH133752 | HYDRAULIC HOSE | 2 | | 13/16" X 530 MM (20-3/4") X 13/16" (PRESSURE) |
| 9 | AH147935 | HYDRAULIC HOSE | 1 | | 1-7/16" X 1 000 MM (39-1/4") X 1-3/16" (SUCTION) (SUB FOR AH128744) |
| 10 | T76938 | O-RING | 1 | | 23.520 X 1.778 MM (0.926" X 0.070") |
| 11A | 38H1049 | ELBOW FITTING | 1 | | 45 DEGREE FOR DOUBLE REDUCTION |
| 11B | 38H1164 | ADAPTER | 1 | 665957- | STRAIGHT FOR SINGLE REDUCTION |
| 12 | R29936 | O-RING | 1 | | 29.743 X 2.946 MM (1.171" X 0.116") |
| 13 | 38H1173 | ADAPTER | 2 | | |
| 14 | R26448 | O-RING | 2 | | 11.887 X 1.981 MM (0.468" X 5/64") |
| 15 | 03M7267 | BOLT | 2 | -657891 | M8 X 80 |
| | 14M7298 | FLANGE NUT | 2 | | M8 |
| | 03M7223 | BOLT | 2 | 657892- | M8 X 60 |
| 16 | R35794 | CLAMP | 2 | | |
| 17 | AR75693 | ATTENUATOR | 1 | | (SUB FOR AR150551) |

4H11

STEERING COLUMN (UPPER)

HP6547 -UN-23AUG96



HP6547

4H12

STEERING AND BRAKES

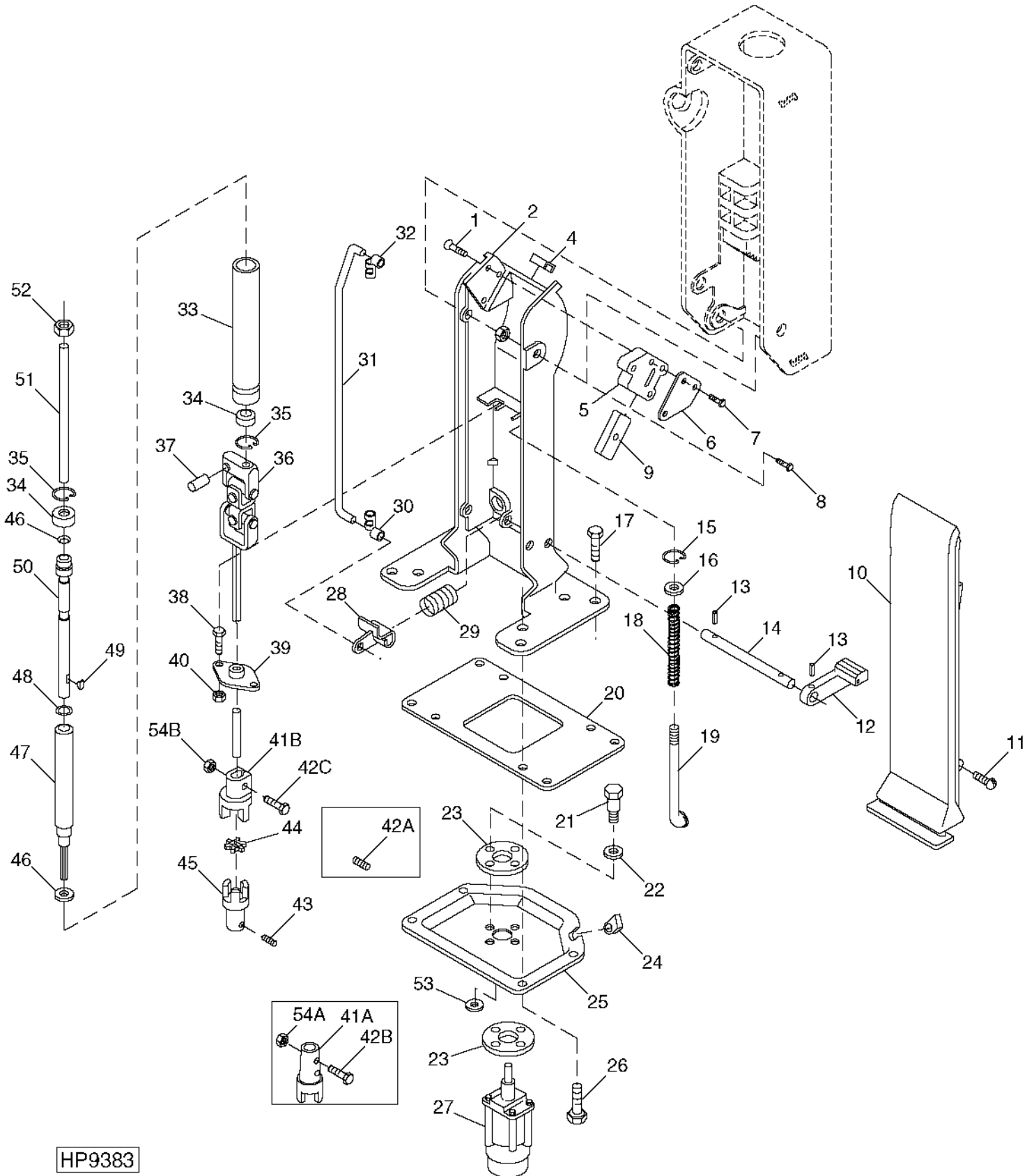
STEERING COLUMN (UPPER) - CONTINUED

| KEY | PART NO. | PART NAME | QTY | SERIAL NO. | REMARKS |
|-----|----------|------------------------|-----|------------|---|
| 1 | AR51481 | KEY | 1 | | |
| 2 | AH108816 | SWITCH | 1 | | KEY START SWITCH |
| 3 | R39554 | SWITCH | 1 | | HORN BUTTON |
| 4 | H113858 | HOUSING | 1 | | |
| 5 | T55501 | CAP | 1 | | |
| 6 | T55585 | CAP | 1 | | |
| 7 | H132895 | GUARD | 1 | | |
| 8 | R39554 | SWITCH | 1 | | EITHER AID START BUTTON |
| 9 | 14M7274 | NUT | 2 | | M10 |
| 10 | 12M7066 | LOCK WASHER | 2 | | 10.200 MM (0.402") |
| 11 | AH89486 | CLIP | 1 | -662433 | |
| | AH96317 | CLIP | 1 | | |
| 12 | H107687 | SCREW | 2 | | M10 X 23 |
| 13 | H110812 | GEAR | 1 | | |
| 14 | H133205 | SCREW | 2 | | M8 X 25 |
| 15A | H113279 | CLAMP | 1 | -660300 | |
| 15B | H150383 | CLAMP | 1 | 660301- | |
| 16 | H113863 | GUIDE | 1 | | |
| 17 | 37M7071 | SCREW | 1 | | |
| 18 | AH129255 | GUARD | 1 | | (SUB FOR AH150611) |
| 19 | 19M7800 | SCREW | 4 | | M8 X 50 |
| 20 | H132899 | SCREW | 1 | | |
| 21A | H134602 | PANEL | 1 | -645784 | (SUB H146392) |
| | H138334 | PANEL | 1 | -645784 | (EXPORT ONLY, FRANCE) |
| 21B | H146392 | PANEL | 1 | | |
| | H146393 | PANEL | 1 | -29SEP7 | (EXPORT ONLY, FRANCE) |
| | H162118 | PANEL | 1 | 29SEP7- | (EXPORT) |
| 22A | H134635 | PANEL | 1 | -645784 | (SUB H146391) |
| 22B | H146391 | PANEL | 1 | | |
| 23 | AA27536 | BULB | 1 | | |
| | AA27536 | BULB | 3 | | (EXPORT ONLY, FRANCE) |
| 24 | H130192 | SCREW | 4 | | M6 X 12 |
| 25 | H123873 | COVER | 1 | | |
| 26 | 37H6 | SCREW | 2 | | |
| 27 | H132897 | RETAINER | 1 | | |
| 28 | R26192 | SNAP RING | 1 | | |
| 29 | AH121340 | TURN SIGNAL CONTROLLER | 1 | | (INCLUDES T23529) TURN SIGNAL |
| | T23529 | SNAP RING | 1 | | (USE WITH AH121340) |
| 30 | R26192 | SNAP RING | 1 | | |
| 31 | T22875 | STEERING WHEEL | 1 | | |
| 32 | 14M7257 | NUT | 1 | -641944 | M20, (SUB FOR 14M7160) |
| | 14M7257 | NUT | 1 | 641945- | M20 |
| 33 | 14M7273 | NUT | 1 | | M8 |
| 34 | H108822 | KNOB | 1 | | |
| 35 | 19M7922 | CAP SCREW | 1 | | M8 X 40 |
| 36 | B3690R | O-RING | 1 | | 47.219 X 3.531 MM (1-55/64" X 0.139") |
| 37 | R47998 | CAP | 1 | | |
| 38 | R44342 | NUT | 1 | | 25.400 MM (1") |
| 39 | 24M7040 | WASHER | 1 | | 11 X 20 X 2 MM (0.433" X 0.787" X 0.079") |
| 40 | AH116902 | CONNECTOR | 1 | | |
| 41A | H139427 | LABEL | 1 | -641944 | FOR IGNITION SWITCH, (SUB H146042) |
| 41B | H146042 | LABEL | 1 | | FOR IGNITION SWITCH |
| 42 | H156390 | LABEL | 1 | 6MAY96- | |

4H13

STEERING COLUMN (LOWER)

HP9383 -UN-07DEC99



HP9383

4H14

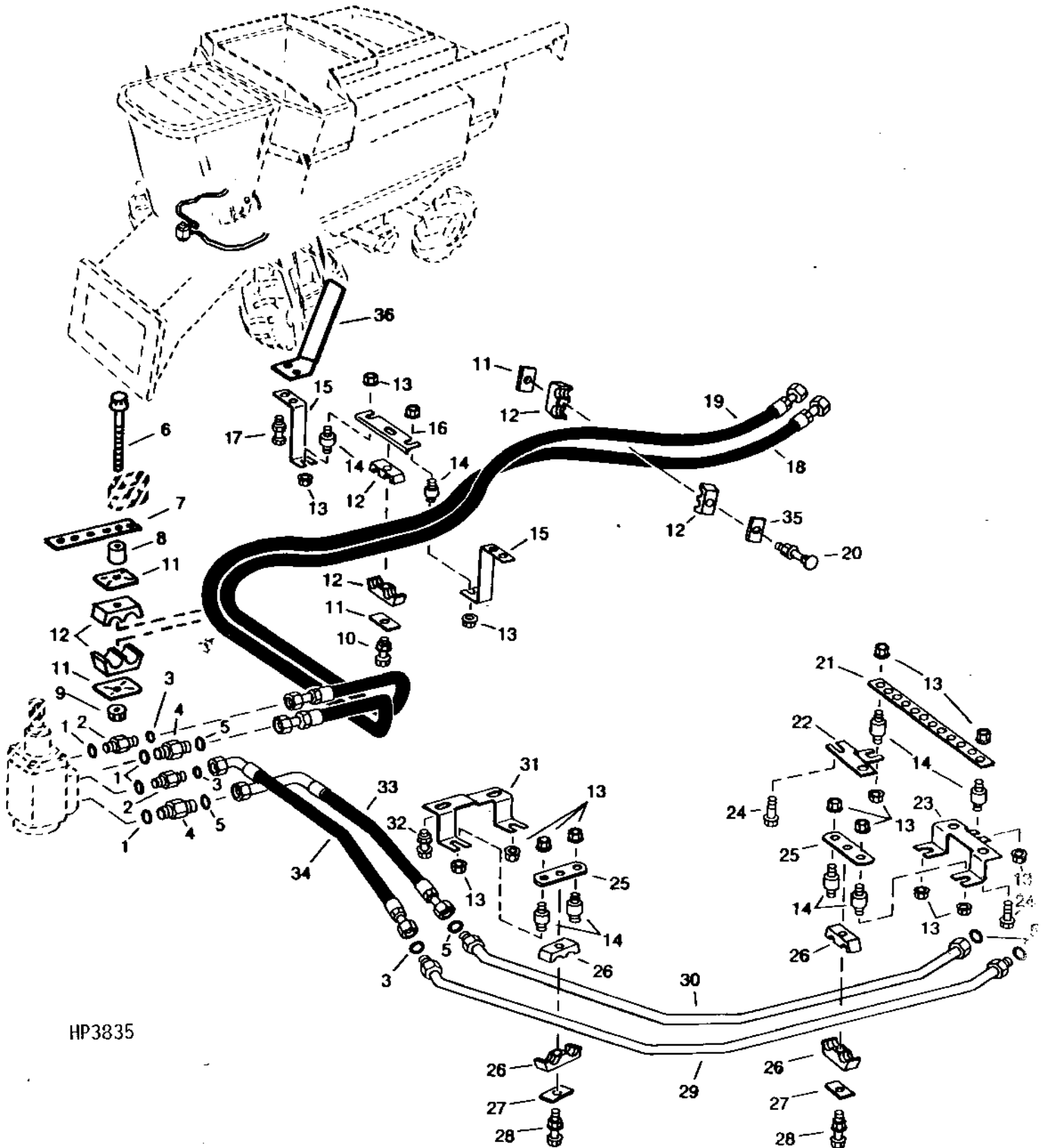
STEERING AND BRAKES

STEERING COLUMN (LOWER) - CONTINUED

| KEY | PART NO. | PART NAME | QTY | SERIAL NO. | REMARKS |
|-----|----------|-----------------------------|-----|---------------|---|
| 1 | H133205 | SCREW | 3 | | M8 X 25 |
| 2 | H123877 | HOUSING | 1 | | |
| 3 | 14M7274 | NUT | 2 | | M10 |
| 4 | H107566 | ISOLATOR | 1 | | |
| 5 | H110310 | HOUSING | 1 | | |
| 6 | H110229 | CRANK | 1 | | |
| 7 | H131424 | BOLT | 2 | | M6 X 20.750 |
| 8 | H107687 | SCREW | 2 | | M10 X 23 |
| 9 | H141327 | PAWL | 1 | | (SUB FOR H109539) |
| 10 | H147192 | COVER | 1 | | (SUB FOR H123872) |
| 11 | H130192 | SCREW | 4 | | M6 X 12 |
| 12 | H152174 | PEDAL | 1 | | (SUB FOR H107581) |
| 13 | 34M7102 | SPRING PIN | 2 | | 5 X 26 MM |
| 14 | H113864 | PIN | 1 | | |
| 15 | H133106 | SNAP RING | 1 | | |
| 16 | 24M7055 | WASHER | 1 | | 8.400 X 16 X 1.600 MM |
| 17 | 19M7800 | SCREW | 4 | | M8 X 50 |
| 18 | H113404 | SPRING | 1 | | |
| 19 | H113402 | ROD | 1 | | |
| 20 | H123874 | SEALANT | 1 | | |
| 21 | H110700 | BOLT | 4 | | M8 X 34.750 |
| 22 | 24M7028 | WASHER | 4 | | 10.500 X 20 X 2 MM |
| 23 | H134353 | ISOLATOR | 2 | | |
| 24 | H108725 | GROMMET | 1 | | |
| 25 | H123875 | SUPPORT | 1 | | |
| 26 | 19M7867 | SCREW | 4 | | M8 X 25 |
| 27 | AH142441 | PUMP | 1 | | (SUB FOR AH130126) |
| 28 | H107582 | ARM | 1 | | |
| 29 | H107584 | SPRING | 1 | | |
| 30 | R26501 | CLIP | 1 | | |
| 31 | H131186 | ROD | 1 | | |
| 32 | R26524 | CLIP | 1 | | |
| 33 | H107567 | HOUSING | 1 | | |
| 34 | AH97920 | BALL BEARING | 2 | | |
| 35 | H80753 | SNAP RING | 2 | | |
| 36 | AH130435 | UNIVERSAL JOINT, WITH SHAFT | 1 | | (SUB AH139065, H162569, 14M7166 AND 19M7295) |
| | AH139065 | UNIVERSAL JOINT, WITH SHAFT | 1 | | |
| 37 | 34M7124 | SPRING PIN | 1 | | 8 X 30 MM |
| 38 | 19M7866 | SCREW | 2 | | M8 X 20 |
| 39 | AH129236 | BEARING | 1 | | |
| 40 | 14M7298 | FLANGE NUT | 2 | -645662 | M8 |
| | 14M7166 | LOCK NUT | 2 | 645663- | M8 |
| 41A | H134622 | COUPLING | 1 | -645662 | |
| 41B | H162569 | COUPLING | 1 | | (SUB FOR H144970 OR H162056) |
| 42A | 22M7073 | SET SCREW | 2 | -645662 | M8 X 12 |
| 42B | 19M8359 | CAP SCREW | 1 | 645663- | M8 X 45 |
| 42C | H162055 | SCREW | 1 | 28APR7-27OCT7 | |
| | H164921 | SCREW | 1 | 27OCT7- | |
| 43 | 22M7072 | SET SCREW | 2 | | M6 X 10 |
| 44 | H134624 | ISOLATOR | 1 | | |
| 45 | H134623 | SPLINED COUPLING | 1 | | |
| 46 | H99294 | WASHER | 2 | | 22.606 X 27.813 X 0.813 MM (0.890" X 1.095" X 0.032") |
| 47 | AH130429 | STEERING SHAFT | 1 | | |
| 48 | H36256 | O-RING | 1 | | 15.469 X 3.531 MM (39/64" X 0.139") |
| 49 | H137667 | SHAFT KEY | 1 | | |
| 50 | H107570 | STEERING SHAFT | 1 | | |
| 51 | H107586 | PIN | 1 | | |
| 52 | 14M7257 | NUT | 1 | | M20 |
| 53 | H141946 | WASHER | 4 | | 8.330 X 15.880 X 1.520 MM (0.328" X 0.625" X 0.060") |
| 54A | 14M7166 | LOCK NUT | 1 | -645663 | M8 |
| 54B | 14M7396 | LOCK NUT | 1 | | M8 |

4H15

STEERING HOSES AND LINES, FRONT
HP3835 -UN-01JAN94



HP3835

4H16

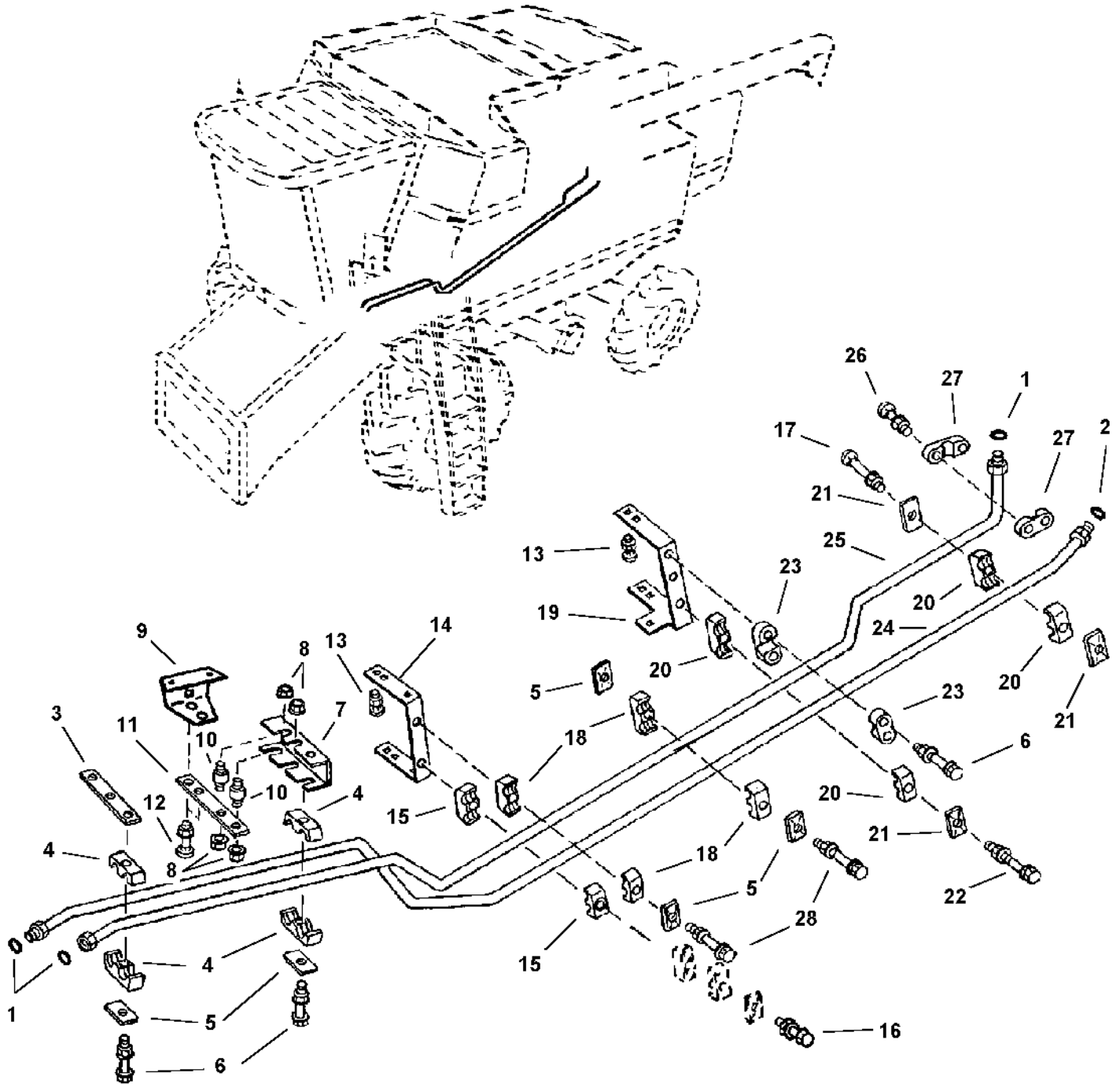
STEERING AND BRAKES

STEERING HOSES AND LINES, FRONT - CONTINUED

| KEY | PART NO. | PART NAME | QTY | SERIAL NO. | REMARKS |
|-----|----------|----------------|-----|------------|--|
| 1 | R26375 | O-RING | 4 | | 16.358 X 2.210 MM (0.644" X 0.087") |
| 2 | 38H1161 | ADAPTER | 2 | | |
| 3 | T77857 | O-RING | 3 | | 12.421 X 1.778 MM (0.489" X 0.070") |
| 4 | 38H1317 | FITTING | 2 | | |
| 5 | T77932 | O-RING | 5 | | 15.596 X 1.778 MM (0.614" X 0.070") |
| 6 | 19M8006 | SCREW | 1 | | M8 X 120 |
| 7 | H134558 | STRAP | 1 | | |
| 8 | H133060 | SLEEVE | 1 | | |
| 9 | 14M7298 | FLANGE NUT | 1 | | M8 |
| 10 | 19M7801 | SCREW | 1 | | M8 X 60 |
| | 14M7396 | LOCK NUT | 1 | | M8 |
| 11 | H112567 | PLATE | 4 | | |
| 12 | H135155 | CLAMP | 6 | | |
| 13 | N10217 | LOCK NUT | 16 | | 6.350 MM (1/4") |
| 14 | AH126657 | ISOLATOR | 8 | | |
| 15 | H135608 | BRACKET | 2 | | |
| 16 | H134470 | STRAP | 1 | | ROUND HOLES |
| 17 | 19M7865 | SCREW | 4 | | M8 X 16 |
| | 14M7298 | FLANGE NUT | 4 | | M8 |
| 18 | AH131548 | HYDRAULIC HOSE | 1 | | 11/16" X 2 075 MM (81-3/4") X 1", RIGHT |
| 19 | AH131547 | HYDRAULIC HOSE | 1 | | 13/16" X 2 075 MM (81-3/4") X 13/16", LEFT |
| 20 | 03M7224 | BOLT | 1 | | M8 X 65 (RD. HEAD) |
| | 14M7298 | FLANGE NUT | 1 | | M8 |
| 21 | H134426 | STRAP | 1 | | |
| 22 | H134427 | BRACKET | 1 | | |
| 23 | H134424 | BRACKET | 1 | | |
| 24 | 37M7092 | SCREW | 4 | -640300 | M8 X 16 |
| | 37M7058 | SCREW | 4 | 640301- | M8 X 20 |
| 25 | H134425 | STRAP | 2 | | |
| 26 | H120847 | CLAMP | 4 | | |
| 27 | H121168 | PLATE | 2 | | |
| 28 | 19M8318 | SCREW | 2 | | M8 X 45 |
| | 14M7298 | FLANGE NUT | 2 | | M8 |
| 29 | AH131382 | HYDRAULIC LINE | 1 | | (RETURN) |
| 30 | AH131381 | HYDRAULIC LINE | 1 | | (PRESSURE) |
| 31 | H135619 | BRACKET | 1 | | |
| 32 | 19M7865 | SCREW | 2 | | M8 X 16 |
| | 14M7298 | FLANGE NUT | 2 | | M8 |
| 33 | AH133161 | HYDRAULIC HOSE | 1 | | 1" X 600 MM (23-1/2") X 1", (SUB FOR AH130466) |
| 34 | AH133160 | HYDRAULIC HOSE | 1 | | 13/16" X 690 MM (27-1/4") X 13/16", (SUB FOR AH130212) |
| 35 | 24H1347 | WASHER | 1 | | 13.487 X 50.800 X 4.928 MM (17/32" X 2" X 0.194") (SUB FOR H134532) |
| 36 | AH133359 | BRACKET | 1 | | |

4H17

STEERING LINES, L.H. SIDE
HP7245 -UN-07NOV97



HP7245

4H18

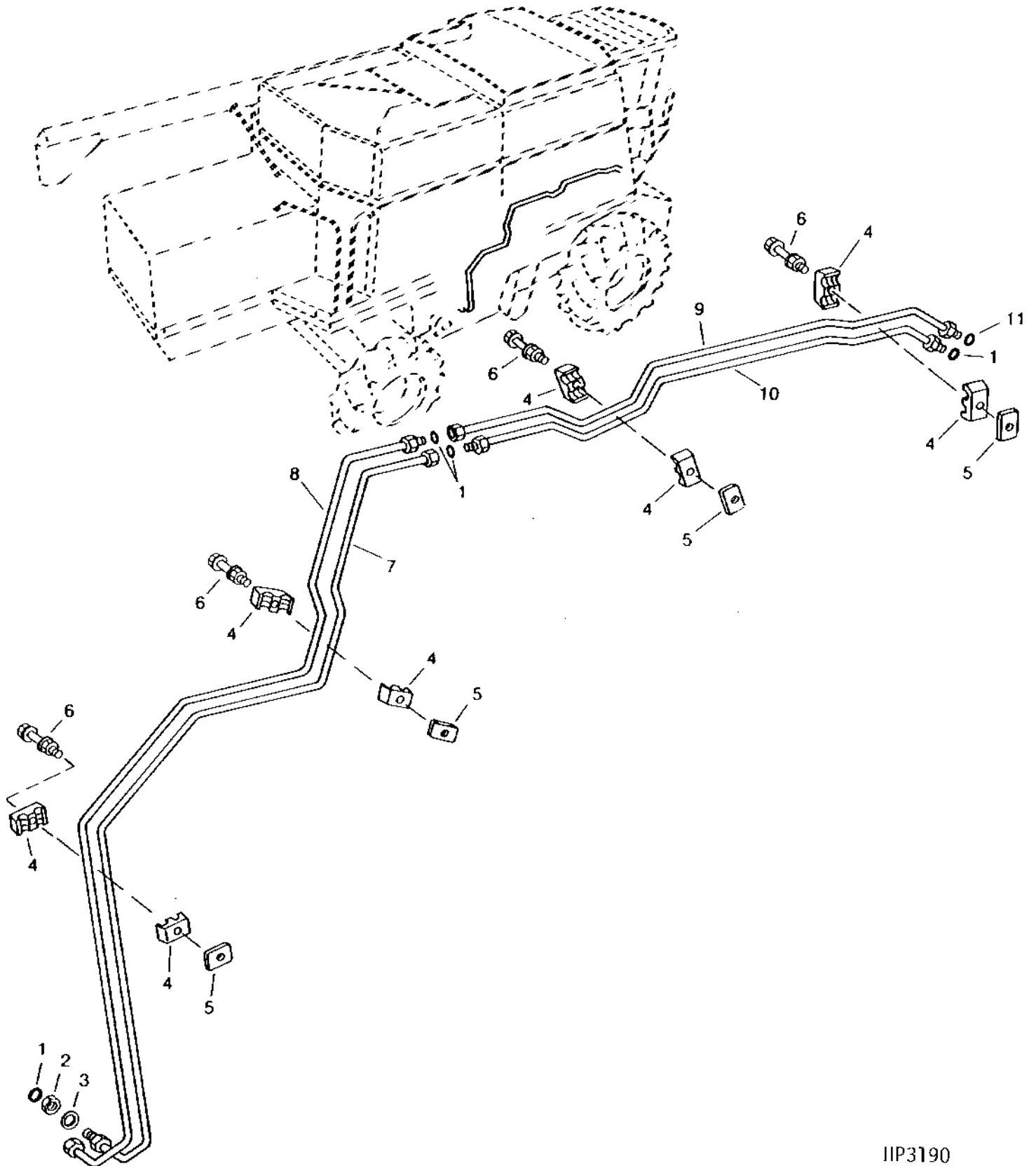
STEERING AND BRAKES

STEERING LINES, L.H. SIDE - CONTINUED

| KEY | PART NO. | PART NAME | QTY | SERIAL NO. | REMARKS |
|-----|----------|----------------|-----|------------|-------------------------------------|
| 1 | T77932 | O-RING | 3 | | 15.596 X 1.778 MM (0.614" X 0.070") |
| 2 | T77857 | O-RING | 1 | | 12.421 X 1.778 MM (0.489" X 0.070") |
| 3 | H131163 | STRAP | 1 | -632019 | |
| 4 | H120847 | CLAMP | 2 | | |
| 5 | H121168 | PLATE | 4 | | |
| 6 | 19M8318 | SCREW | 2 | -632019 | M8 X 45 |
| | 03M7189 | BOLT | 2 | 632020- | M8 X 45 |
| | 14M7298 | FLANGE NUT | 2 | | M8 |
| 7 | H134428 | BRACKET | 1 | | |
| 8 | N10217 | LOCK NUT | 4 | | 6.350 MM (1/4") |
| 9 | H138411 | BRACKET | 1 | | |
| 10 | AH126657 | ISOLATOR | 2 | | |
| 11 | H134434 | SUPPORT | 1 | | |
| 12 | 03M7184 | BOLT | 2 | | M8 X 20 (RD. HEAD) |
| | 14M7298 | FLANGE NUT | 2 | | M8 |
| 13 | 19M7866 | SCREW | 8 | | M8 X 20 (RD. HEAD) |
| | 14M7396 | LOCK NUT | 8 | | M8 |
| 14 | H131115 | BRACKET | 1 | | |
| 15 | H120847 | CLAMP | 2 | | |
| 16 | 19M7913 | SCREW | 1 | | M8 X 90 (STACKING) |
| | 14M7298 | FLANGE NUT | 1 | | M8 |
| 17 | 19M7801 | SCREW | 1 | -29SE97 | M8 X 60 |
| | 19M7803 | SCREW | 1 | 29SE97- | M8 X 70 |
| | 14M7298 | FLANGE NUT | 1 | | M8 |
| 18 | H109046 | CLAMP | 4 | | |
| 19 | H133659 | BRACKET | 1 | | |
| 20 | H111730 | CLAMP | 4 | | |
| 21 | H112567 | PLATE | 3 | | |
| 22 | 19M7979 | SCREW | 1 | | M8 X 55 |
| | 14M7298 | FLANGE NUT | 1 | | M8 |
| 23 | H115533 | CLAMP | 2 | | |
| 24 | AH131316 | HYDRAULIC LINE | 1 | | (PRESSURE) |
| 25 | AH131302 | OIL LINE | 1 | | (RETURN) |
| 26 | 03M7216 | BOLT | 2 | | M8 X 50 (RD. HEAD) |
| | 14M7298 | FLANGE NUT | 2 | | M8 |
| 27 | H115533 | CLAMP | 2 | | |
| 28 | 19M8318 | SCREW | 2 | | M8 X 45 |
| | 19M8319 | SCREW | 2 | | M8 X 50 |
| | 14M7298 | FLANGE NUT | 2 | | M8 |

4H19

STEERING LINES, R.H. SIDE
HP3190 -UN-01JAN94



IIP3190

4H20

STEERING AND BRAKES

STEERING LINES, R.H. SIDE - CONTINUED

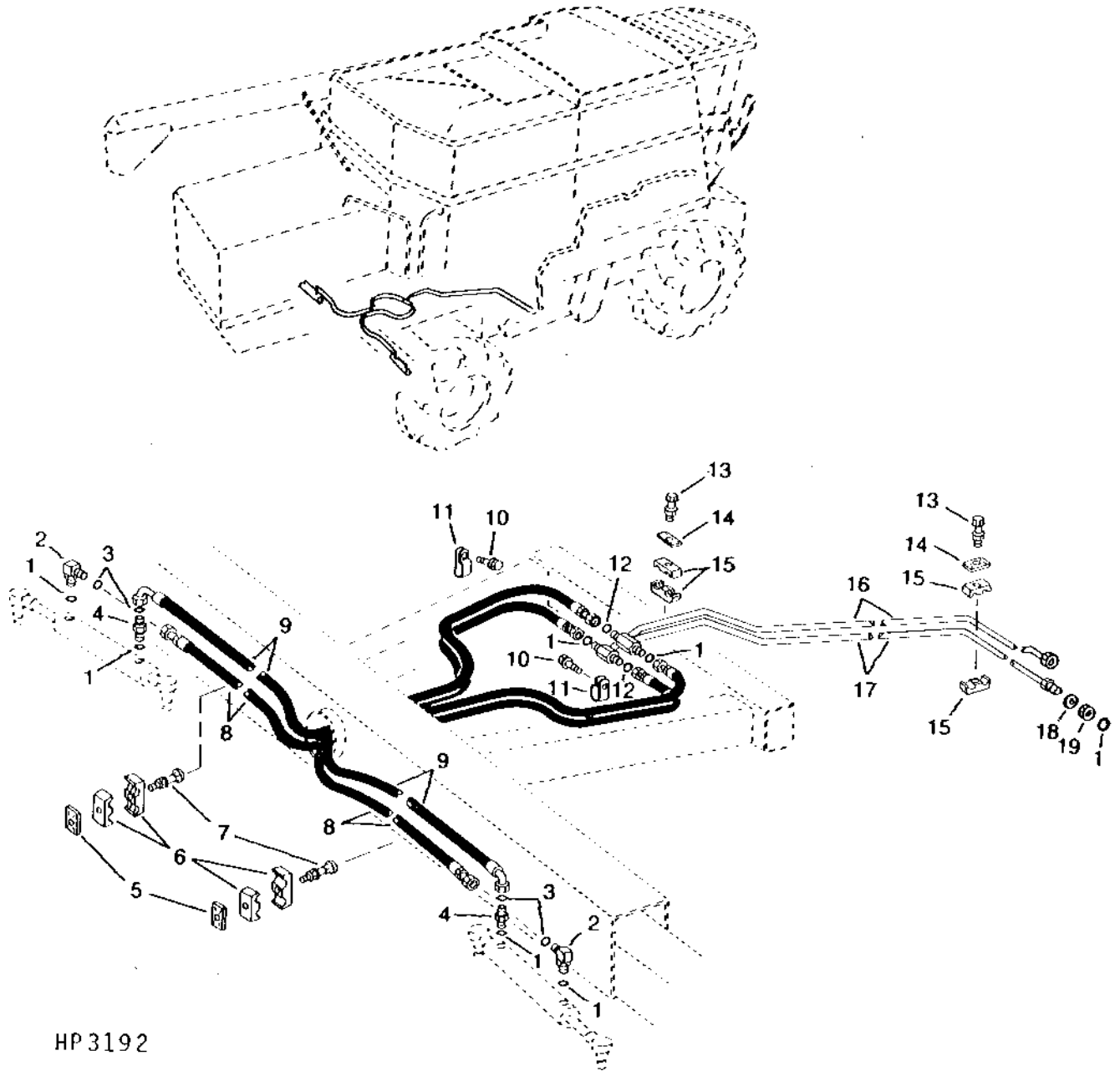
| KEY | PART NO. | PART NAME | QTY | SERIAL NO. | REMARKS |
|-----|----------|----------------|-----|------------|-------------------------------------|
| 1 | T77613 | O-RING | 4 | | 9.246 X 1.778 MM (0.364" X 0.070") |
| 2 | T81029 | NUT | 1 | | 17.475 MM, (BULKHEAD) |
| 3 | 24M7114 | WASHER | 1 | | 19 X 30 X 4 MM |
| 4 | H128515 | CLAMP | 8 | | |
| 5 | H121163 | COVER | 4 | | |
| 6 | 03M7188 | BOLT | 4 | | M8 X 40 (RD. HEAD) |
| | 14M7298 | FLANGE NUT | 4 | | M8 |
| 7 | AH130489 | HYDRAULIC LINE | 1 | -645497 | (RIGHT) |
| | AH140715 | HYDRAULIC LINE | 1 | 645498- | |
| 8 | AH130487 | HYDRAULIC LINE | 1 | -645497 | (LEFT) |
| | AH140714 | HYDRAULIC LINE | 1 | 645498- | |
| 9 | AH131874 | OIL LINE | 1 | | (LEFT) |
| 10 | AH131875 | OIL LINE | 1 | | (RIGHT) |
| 11 | T77857 | O-RING | 1 | | 12.421 X 1.778 MM (0.489" X 0.070") |

4H21

STEERING LINES AND HOSES, REAR

(DUAL CYLINDER)

HP3192 -UN-01JAN94



HP 3192

4H22

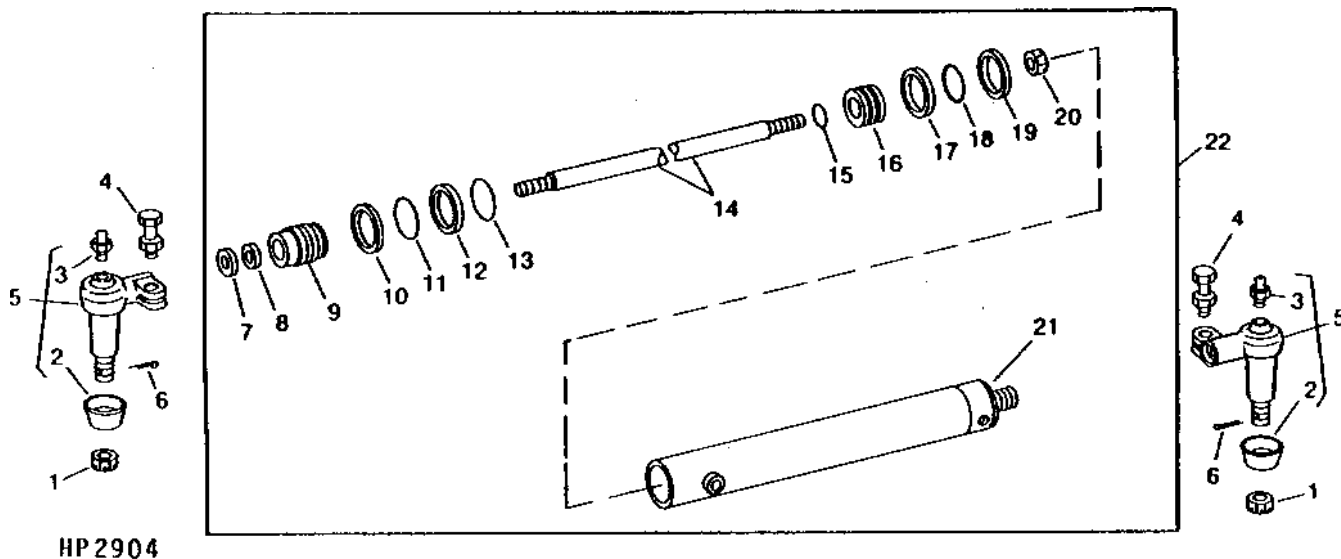
STEERING AND BRAKES

STEERING LINES AND HOSES, REAR - CONTINUED (DUAL CYLINDER)

| KEY | PART NO. | PART NAME | QTY | SERIAL NO. | REMARKS |
|-----|----------|----------------|-----|------------|-------------------------------------|
| 1 | R26448 | O-RING | 4 | | 11.887 X 1.981 MM (0.468" X 5/64") |
| 2 | 38H1004 | ELBOW FITTING | 2 | | |
| 3 | T77613 | O-RING | 7 | | 9.246 X 1.778 MM (0.364" X 0.070") |
| 4 | 38H1160 | ADAPTER | 2 | | |
| 5 | H121168 | PLATE | 2 | | |
| 6 | H135156 | CLAMP | 4 | | |
| 7 | 03M7280 | BOLT | 2 | | M6 X 45 |
| | 14M7303 | FLANGE NUT | 2 | | M6 |
| 8 | AH130890 | HYDRAULIC HOSE | 2 | | 9/16" X 2 452 MM (96-1/2") X 11/16" |
| 9 | AH130119 | HYDRAULIC HOSE | 2 | | |
| 10 | 37M7092 | SCREW | 2 | | M8 X 16 |
| 11 | AH97280 | CLIP | 2 | | |
| 12 | T77814 | O-RING | 2 | | 7.645 X 1.778 MM (0.301" X 0.070") |
| 13 | 19M8317 | SCREW | 2 | | M8 X 40 |
| | 14M7298 | FLANGE NUT | 2 | | M8 |
| 14 | H121163 | COVER | 2 | | |
| 15 | H128515 | CLAMP | 4 | | |
| 16 | AH120871 | OIL LINE | 1 | | (RIGHT) |
| 17 | AH120875 | OIL LINE | 1 | | (LEFT) |
| 18 | 24M7114 | WASHER | 1 | | 19 X 30 X 4 MM |
| 19 | T81029 | NUT | 1 | | 17.475 MM (11/16") |

4H23

STEERING CYLINDER
HP2904 -UN-01JAN94



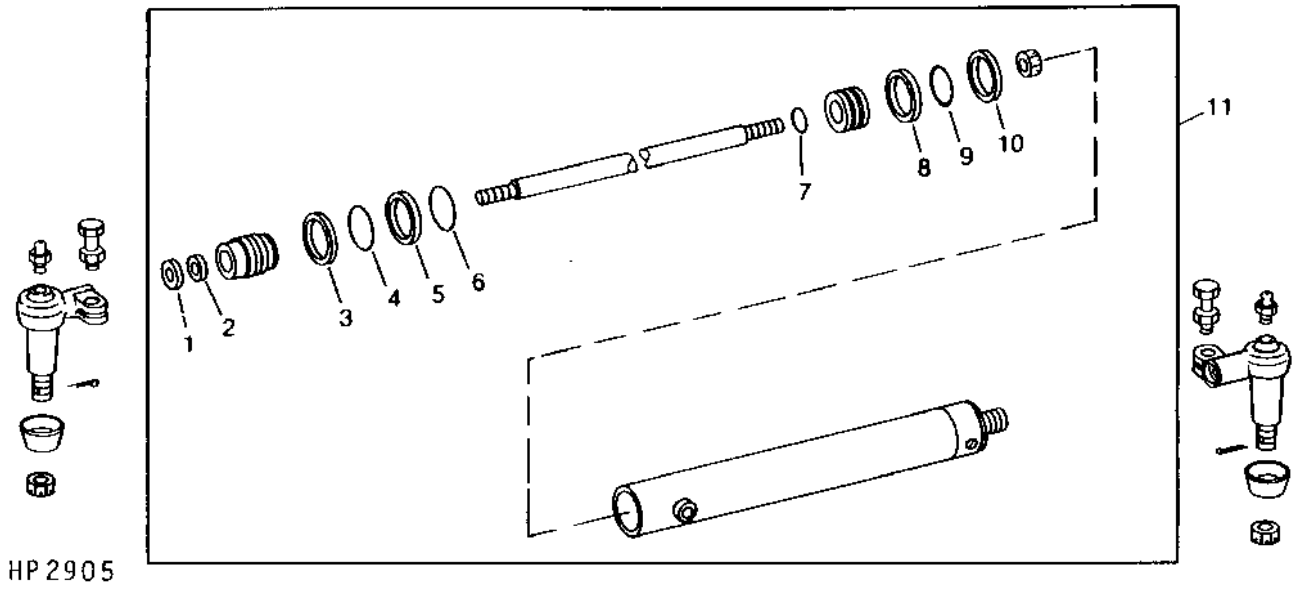
HP2904

| KEY | PART NO. | PART NAME | QTY | SERIAL NO. | REMARKS |
|-----|----------|---------------------------|-----|---|---------|
| 1 | 14H902 | NUT | 2 | 3/4" | |
| 2 | R78027 | COVER | 2 | | |
| 3 | JD7797 | LUBRICATION FITTING | 2 | | |
| 4 | 19H1765 | CAP SCREW | 2 | 3/8" X 1-3/4" (USE WITH O.AND S.) | |
| | H99923 | LOCK NUT | 2 | 9.525 MM (3/8") (USE WITH O.AND S.) | |
| | 19H1740 | CAP SCREW | 2 | 7/16" X 1-3/4" (USE WITH TRW) | |
| | H80440 | LOCK NUT | 2 | 11.125 MM (7/16") (USE WITH TRW) | |
| 5 | AH117566 | TIE ROD END | 2 | (WITH COVER, ZERK AND CLAMP BOLT) | |
| 6 | 11M7092 | COTTER PIN | 2 | 3.200 X 40 MM | |
| 7 | | SEAL | 1 | (A) | |
| 8 | | SEAL | 1 | (A) | |
| 9 | | GUIDE | 1 | (A) | |
| 10 | | SNAP RING | 1 | (A) | |
| 11 | | RING | 1 | (A) | |
| 12 | | WASHER | 1 | (A) | |
| 13 | | O-RING | 1 | (A) | |
| 14 | | ROD | 1 | (A) | |
| 15 | | O-RING | 1 | (A) | |
| 16 | | PISTON | 1 | (A) | |
| 17 | | PISTON RING | 1 | (A) | |
| 18 | | O-RING | 1 | (A) | |
| 19 | | WEAR RING | 1 | (A) | |
| 20 | | LOCK NUT | 1 | (A) | |
| 21 | | HYDRAULIC CYLINDER BARREL | 1 | | |
| 22 | AH125658 | HYDRAULIC CYLINDER | 1 | (COMPLETE COMPONENT, LESS TIE ROD ENDS) | |
| .. | AH101202 | KIT | 1 | SEAL REPAIR | |

NOTE: QUANTITIES SHOWN ARE FOR ONE UNIT. TWO UNITS USED PER MACHINE.

4H24

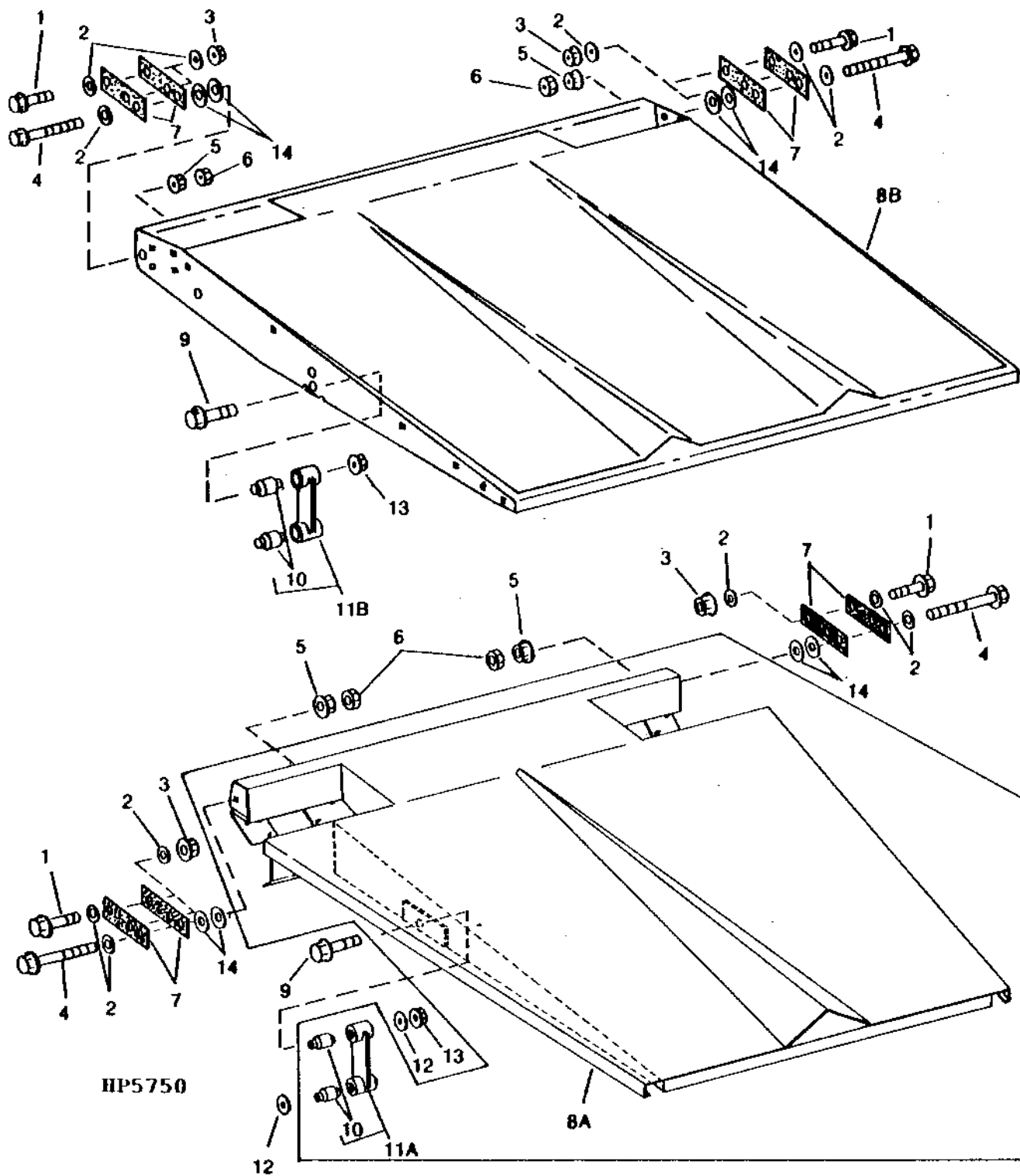
STEERING CYLINDER KIT
HP2905 -UN-01JAN94



HP 2905

| KEY | PART NO. | PART NAME | QTY | SERIAL NO. | REMARKS |
|-----|----------|-------------|-----|------------|---------|
| 1 | | SEAL | 1 | | |
| 2 | | SEAL | 1 | | |
| 3 | | RING | 1 | | |
| 4 | | RING | 1 | | |
| 5 | | WASHER | 1 | | |
| 6 | | O-RING | 1 | | |
| 7 | | O-RING | 1 | | |
| 8 | | PISTON RING | 1 | | |
| 9 | | O-RING | 1 | | |
| 10 | | RING | 1 | | |
| 11 | AH101202 | KIT | 1 | | |

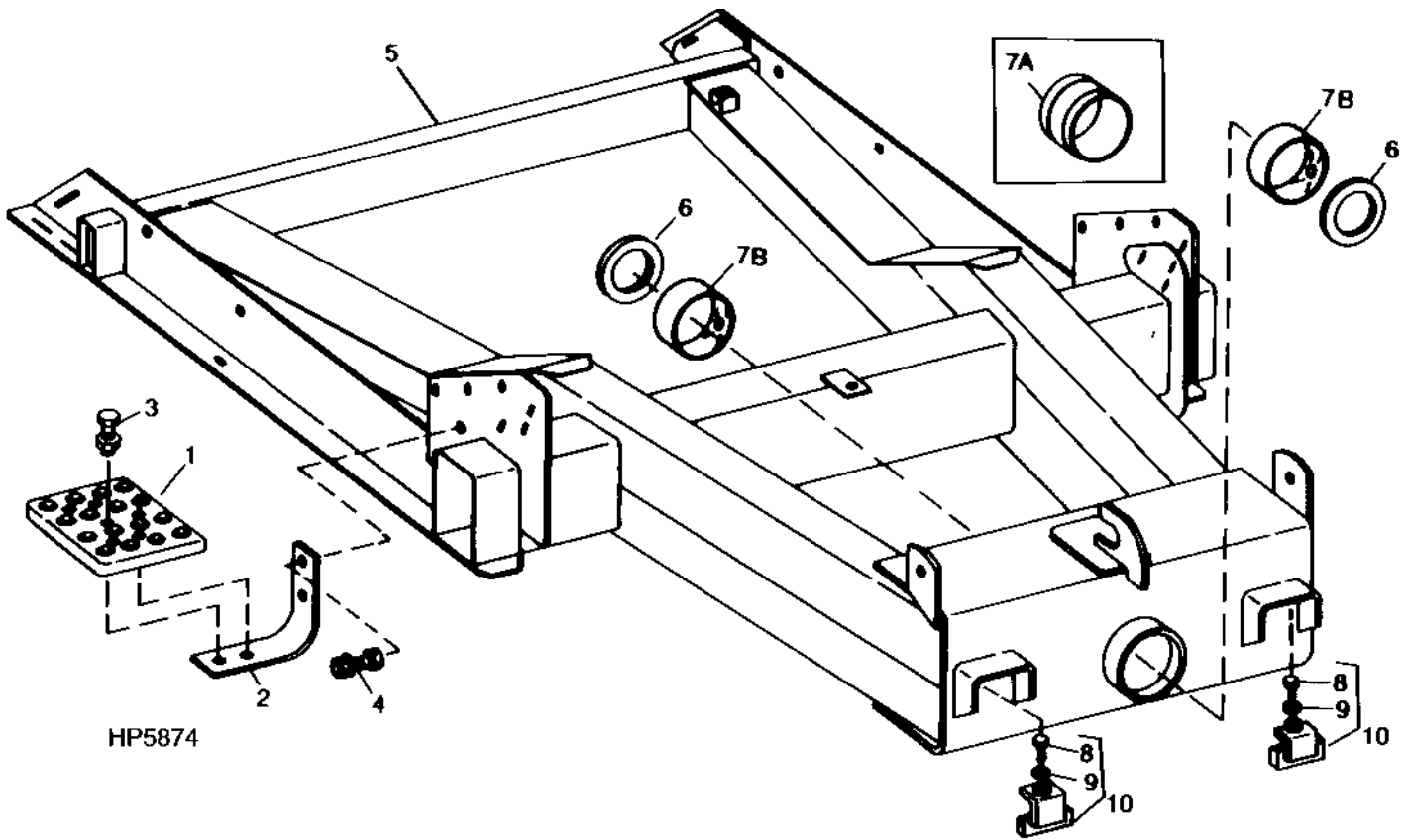
REAR AXLE TRASH SHIELD
HP5750 -UN-01JAN94



REAR AXLE TRASH SHIELD - CONTINUED

| KEY | PART NO. | PART NAME | QTY | SERIAL NO. | REMARKS |
|-----|----------|------------|-----|------------|----------------------------|
| 1 | 19M8292 | SCREW | 4 | | M10 X 50 |
| 2 | 24M7178 | WASHER | 12 | | 10.500 X 30 X 2.500 MM |
| 3 | 14M7400 | LOCK NUT | 4 | | M10 |
| 4 | 19M8292 | SCREW | 2 | | M10 X 50 |
| 5 | 14M7296 | FLANGE NUT | 2 | | M10 |
| 6 | 14M7274 | NUT | 2 | | M10 |
| 7 | H130388 | STRAP | 4 | | |
| 8A | AH128466 | FRAME | 1 | -645904 | |
| | AH141039 | FRAME | 1 | -650300 | (SUB AH137975) |
| 8B | AH137975 | FRAME | 1 | | |
| 9 | 19M7819 | SCREW | 4 | | M12 X 90 |
| 10 | AH125200 | BUSHING | 4 | -646685 | |
| 11A | AH125973 | ARM | 2 | -646856 | (SUB AH138233) |
| 11B | AH138233 | LINK | 2 | | |
| 12 | T62323 | WASHER | 4 | | 13.487 X 51.054 X 3.175 MM |
| 13 | 14M7299 | FLANGE NUT | 4 | | M12 |
| 14 | 24M7180 | WASHER | 4 | | 13 X 37 X 3 MM |

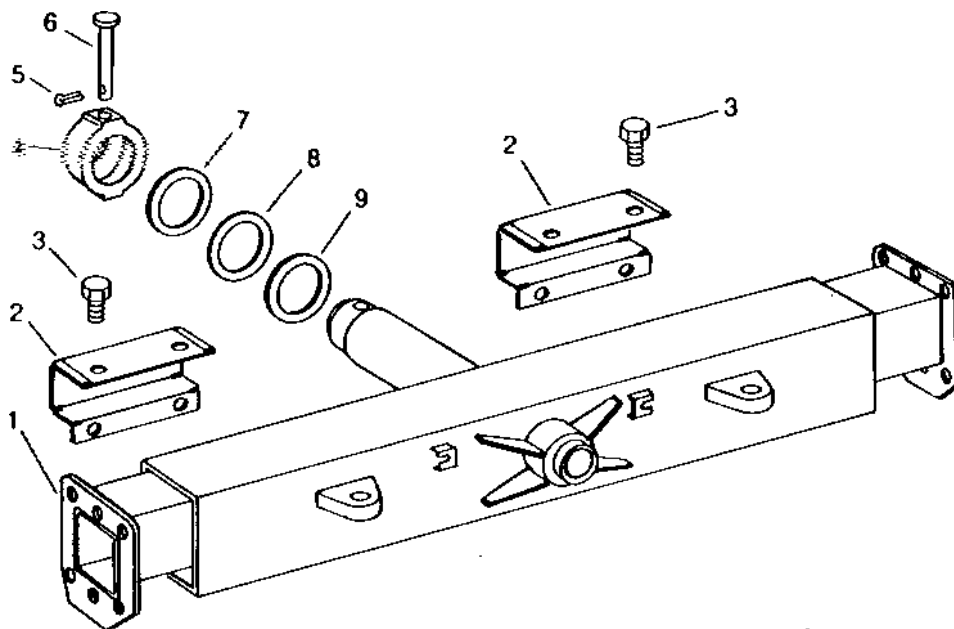
REAR AXLE SUPPORT
HP5874 -UN-14OCT94



REAR AXLE SUPPORT - CONTINUED

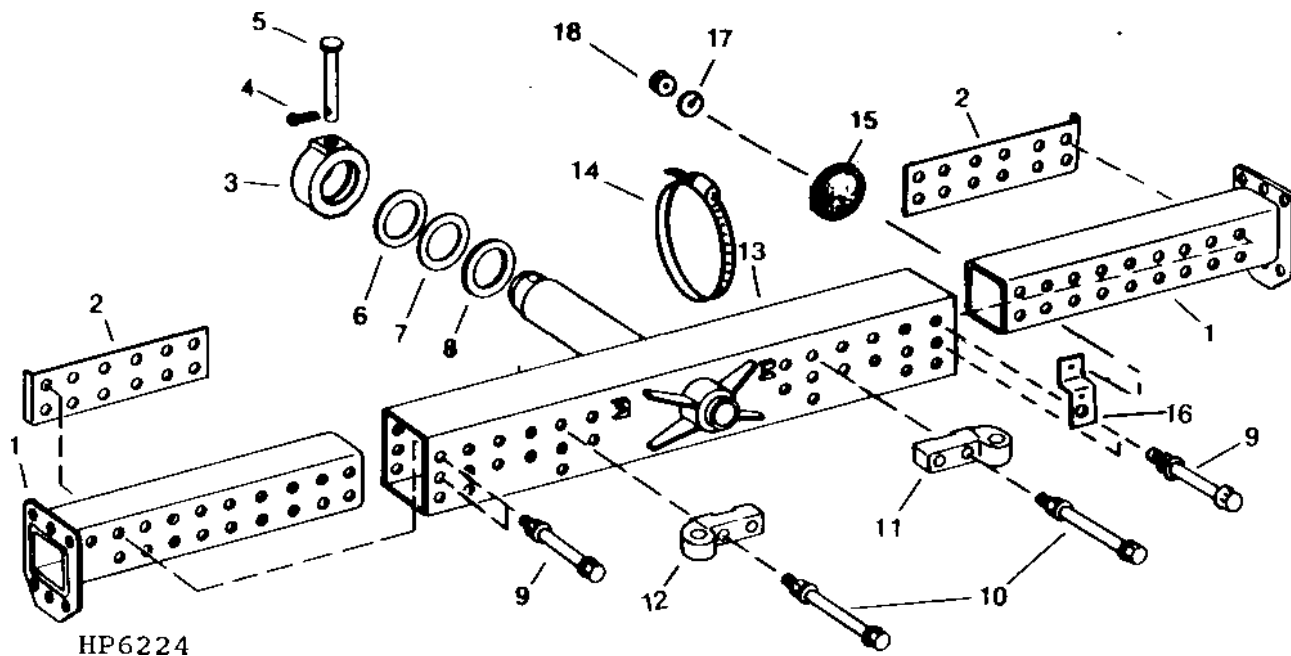
| KEY | PART NO. | PART NAME | QTY | SERIAL NO. | REMARKS |
|-----|----------|-------------------|-----|---|---------|
| 1 | R84943 | STEP | 1 | | |
| 2 | H133320 | BRACKET | 1 | | |
| 3 | 19M7785 | SCREW | 2 | M10 X 25 | |
| | 14M7298 | FLANGE NUT | 2 | M8 | |
| 4 | 19M7835 | SCREW | 2 | M10 X 35 | |
| | 14M7298 | FLANGE NUT | 2 | M8 | |
| 5 | AH137285 | REAR AXLE SUPPORT | 1 | (SUB FOR AH125225) | |
| 6 | AH112284 | SEAL | 2 | | |
| 7A | H146281 | BUSHING | 2 | (SUB FOR H114473) | |
| 7B | H138410 | BUSHING | 2 | USE WITH WORN PIVOT ONLY (HEAT TREATED) | |
| 8 | A50744 | BOLT | 2 | -660301 M8 X 25 | |
| 9 | 14M7273 | NUT | 2 | -660301 M8 | |
| 10 | H151739 | REINFORCEMENT | 2 | (SUB FOR AH145980) 28L X 26 TIRES ONLY | |

FIXED REAR AXLE
HP3373 -UN-01JAN94



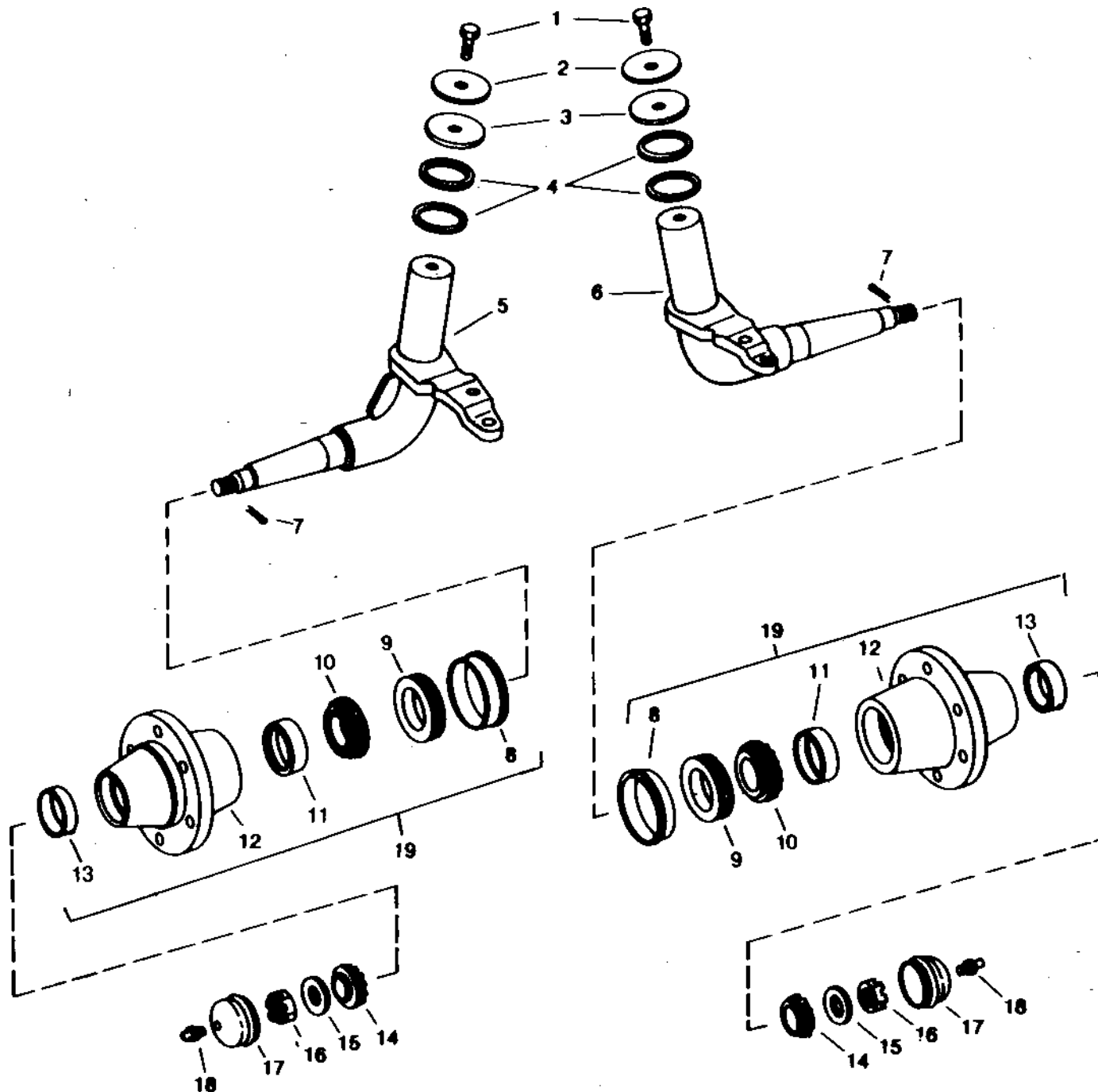
HP3373

| KEY | PART NO. | PART NAME | QTY | SERIAL NO. | REMARKS |
|-----|----------|------------|-----|------------|---|
| 1 | AH134814 | AXLE | 1 | | (SUB FOR AH130517) |
| 2 | H136115 | SHIELD | 2 | | (4-WHEEL DRIVE ONLY) |
| 3 | 37M7086 | SCREW | 8 | | M10 X 20 (4-WHEEL DRIVE ONLY) |
| 4 | H134547 | BUSHING | 1 | | |
| 5 | 11M7028 | COTTER PIN | 1 | | 5 X 32 MM |
| 6 | H142107 | PIN | 1 | | 20 X 180 MM, (SUB FOR 45M7082) |
| 7 | H129709 | WASHER | AR | | 128 X 158 X 1.270 MM (5.039" X 6.220" X 0.050") |
| 8 | H115140 | SHIM | AR | | 0.635 MM (0.025") |
| 9 | H134548 | WASHER | 1 | | 128 X 158 X 3 MM (5.039" X 6.220" X 0.118") |
| .. | C16071 | ADHESIVE | 1 | | |

REAR AXLE, ADJUSTABLE
 HP6224 -UN-21DEC95


| KEY | PART NO. | PART NAME | QTY | SERIAL NO. | REMARKS |
|-----|----------|-------------|-----|------------|---|
| 1 | AH127599 | TUBE | 2 | | |
| 2 | H134549 | PLATE | 2 | | |
| 3 | H134547 | BUSHING | 1 | | |
| 4 | 11M7028 | COTTER PIN | 1 | | 5 X 32 MM |
| 5 | H142107 | PIN | 1 | | 20 X 180 MM, (SUB FOR 45M7082) |
| 6 | H129709 | WASHER | AR | | 5.039" X 6.220" X 0.050" |
| 7 | H115140 | SHIM | AR | | 0.025" |
| 8 | H134548 | WASHER | 1 | | 5.039" X 6.220" X 0.118" |
| 9 | 19M7853 | SCREW | 8 | -665732 | M20 X 150 (NON-POWERED) |
| | 19M7921 | CAP SCREW | 8 | 665733- | M20 X 150, (NON-POWERED) |
| | 19M7853 | SCREW | 4 | -665732 | M20 X 150 (4-WHEEL DRIVE) |
| | 19M7921 | CAP SCREW | 4 | 665733- | M20 X 150, (4-WHEEL DRIVE) |
| | 24M7242 | WASHER | 8 | 665733- | 21.400 X 42 X 5 MM |
| | H121472 | BOLT | 4 | | (4-WHEEL DRIVE) (CONVERSION) |
| | 14M7300 | FLANGE NUT | 8 | | M20 |
| 10 | 19M7645 | SCREW | 4 | | M20 X 200 |
| | 14M7300 | FLANGE NUT | 4 | | M20 |
| 11 | H130224 | ANCHOR | 1 | | (R.H.) |
| 12 | H130223 | ANCHOR | 1 | | (L.H.) |
| 13 | AH134813 | REAR AXLE | 1 | | (SUB FOR AH128864) |
| 14 | AH130230 | HOSE CLAMP | 2 | | EXPORT, THIS APPLICATION ONLY |
| 15 | L39871 | REFLECTOR | 2 | | EXPORT ONLY |
| 16 | H158819 | STRAP | 2 | | (SUB FOR H158110) EXPORT ONLY |
| 17 | 12M7064 | LOCK WASHER | 2 | | 5.100 MM, EXPORT, THIS APPLICATION ONLY |
| 18 | 14M7297 | NUT | 2 | | M5, EXPORT, THIS APPLICATION ONLY |

REAR AXLE SPINDLES
(FIXED AND ADJUSTABLE REAR AXLE)
HP5915 -UN-14FEB95

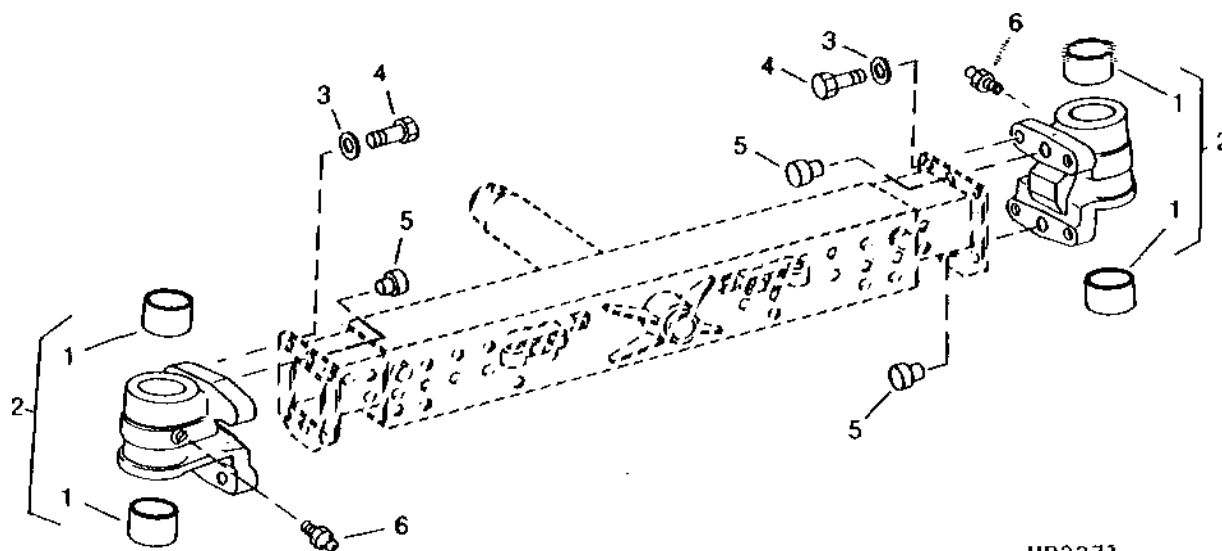


HP5915

REAR AXLE SPINDLES - CONTINUED
(FIXED AND ADJUSTABLE REAR AXLE)

| KEY | PART NO. | PART NAME | QTY | SERIAL NO. | REMARKS |
|-----|----------|---------------------|-----|------------|--|
| 1 | 19H1895 | CAP SCREW | 2 | | 1/2" X 3/4" |
| 2 | 24H1916 | WASHER | 2 | | 17/32" X 3-1/2" X 0.180" |
| 3 | H96869 | CAP | 2 | | |
| 4 | H102206 | THRUST BEARING | 4 | | |
| 5 | AH125654 | SPINDLE | 1 | | (L.H.) |
| 6 | AH125655 | SPINDLE | 1 | | (R.H.) |
| 7 | 11M7030 | COTTER PIN | 2 | | 5 X 40 MM |
| 8 | H94951 | SLEEVE | 2 | | |
| 9 | AH93892 | SEAL | 2 | | |
| 10 | JD8952 | BEARING | 2 | | |
| 11 | JD8258 | BEARING CUP | 2 | | |
| 12 | | HUB | 2 | | (ORDER AH130871) |
| 13 | JD8237 | BEARING CUP | 2 | | |
| 14 | JD8902 | BEARING CONE | 2 | | |
| 15 | R30399 | WASHER | 2 | | 26.187 X 57.150 X 6.350 MM (1-1/32" X 2-1/4" X 1/4") |
| 16 | 14H920 | NUT | 2 | | 1" |
| 17 | H94950 | CAP | 2 | | |
| 18 | JD7759 | LUBRICATION FITTING | 2 | | STRAIGHT, 1/8" |
| 19 | AH130871 | HUB | 2 | | (SUB AH162573) |
| | AH162573 | HUB | 2 | | |

**REAR AXLE SPINDLE HOUSING
(FIXED AND ADJUSTABLE REAR AXLE)**
HP3371 -UN-01JAN94



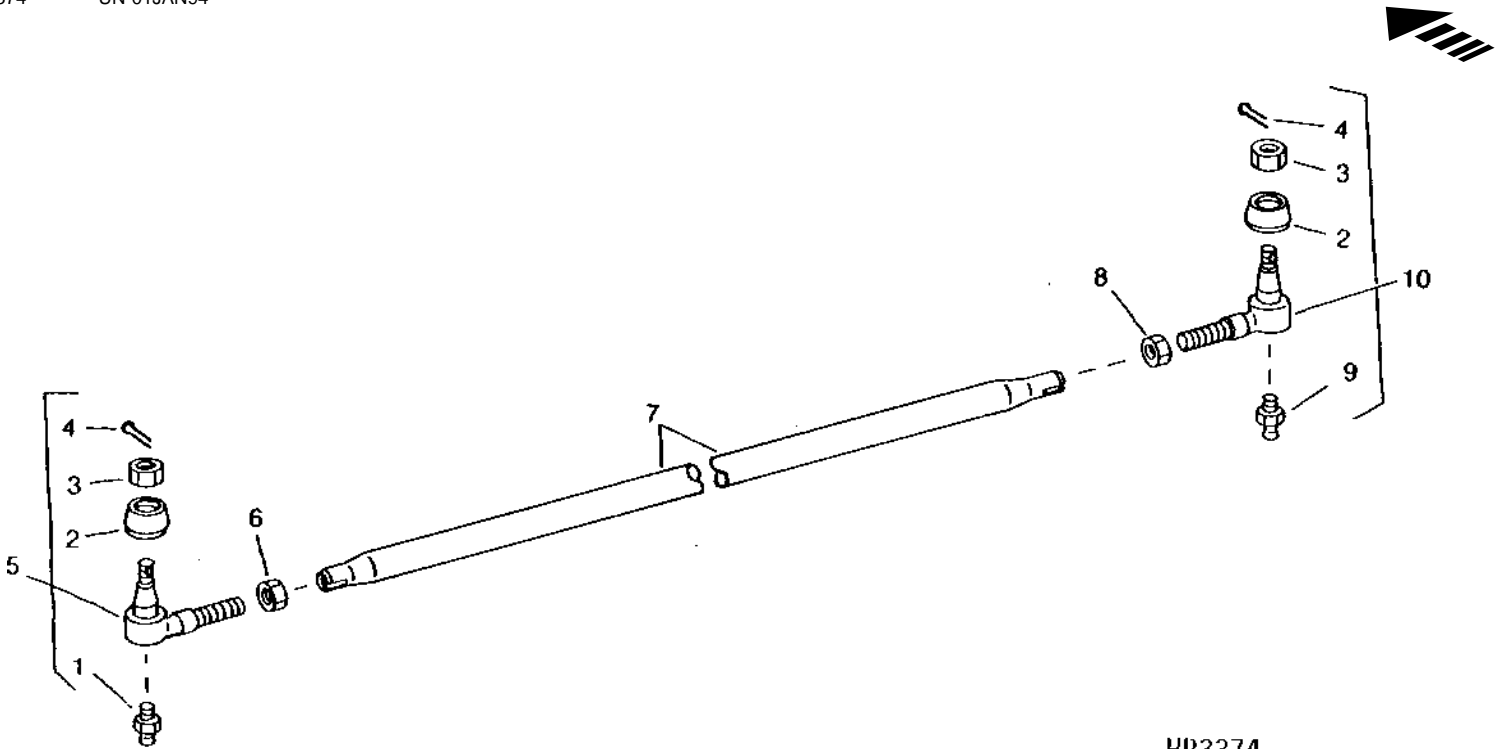
HP3371

| KEY | PART NO. | PART NAME | QTY | SERIAL NO. | REMARKS |
|-----|-------------------|---------------------|-----|--------------------|---|
| 1 | H158884 | BUSHING | 4 | | (SUB FOR H94946) |
| 2 | AH126808 | HOUSING | 2 | | |
| 3 | H144293 | WASHER | 1 | | 20 X 45 X 10 MM (0.787" X 1.772" X 0.394") (SUB FOR H132383) |
| 4 | H86161 19H3126 | BOLT CAP SCREW | 8 | -642112 642113- | 19.050 X 57.150 MM (3/4" X 2-1/4") 3/4" X 2-1/4" |
| 5 | H75423 | PIN | 4 | | 22.073 X 19.812 MM (0.869" X 0.780") |
| 6 | JD7759 | LUBRICATION FITTING | 2 | | |

4110

STEERING AND BRAKES

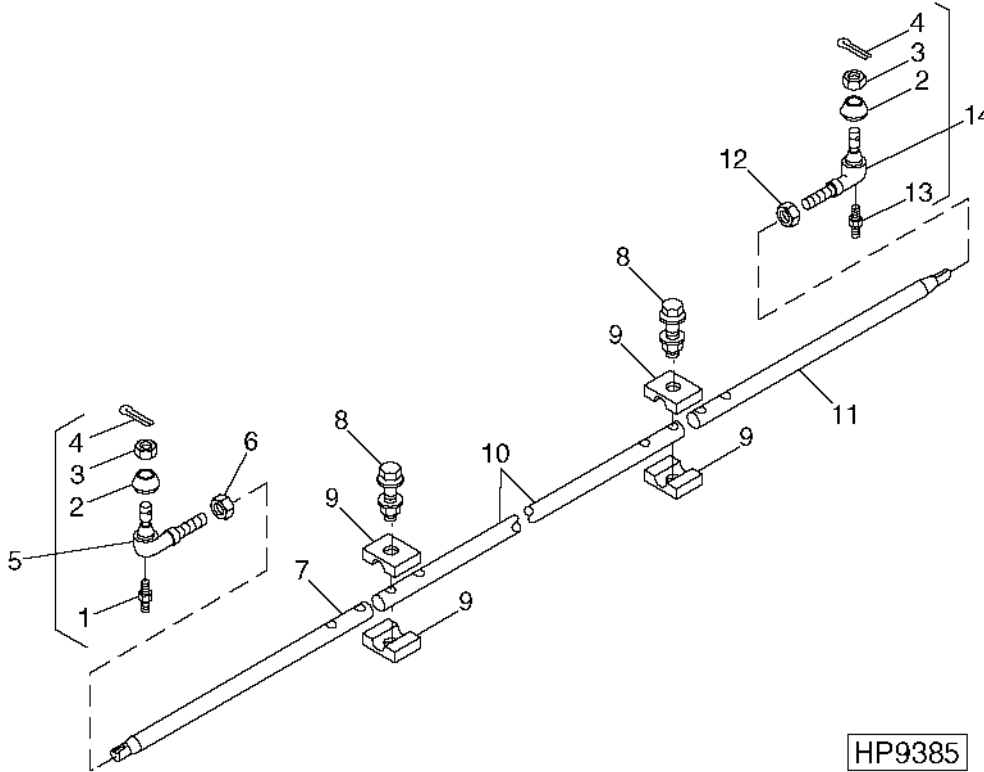
STEERING TIE RODS
(FIXED REAR AXLE)
(NON-POWERED)
HP3374 -UN-01JAN94



HP3374

| KEY | PART NO. | PART NAME | QTY | SERIAL NO. | REMARKS |
|-----|----------|---------------------|-----|------------|---|
| 1 | JD7797 | LUBRICATION FITTING | 1 | | |
| 2 | R78027 | COVER | 2 | | (TRW ONLY) |
| 3 | 14H902 | NUT | 2 | | 3/4" |
| 4 | 11M7092 | COTTER PIN | 2 | | 3.200 X 40 MM |
| 5 | RE12326 | TIE ROD END | 1 | | (L.H.THREAD) |
| 6 | R78026 | NUT | 1 | | 28.575 MM (1-1/8") (L.H.) |
| 7 | H134557 | TUBE | 1 | | CAN BE REVERSED IN INSTALLATION. |
| 8 | R78025 | LOCK NUT | 1 | | 28.575 MM (1-1/8") (R.H.) |
| 9 | JD7806 | LUBRICATION FITTING | 1 | -641842 | 90° X 19.050 MM LONG (3/4" LONG) (R.H.) |
| | JD7788 | LUBRICATION FITTING | 1 | 641843- | |
| 10 | RE12325 | TIE ROD END | 1 | | (R.H.THREAD) |

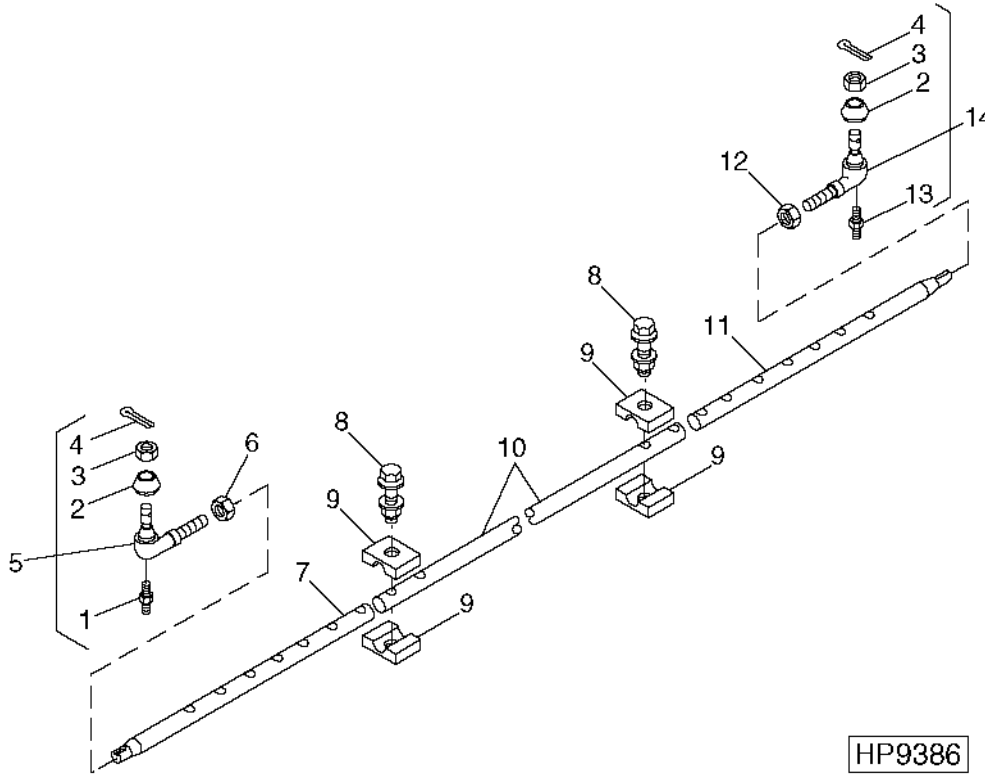
**STEERING TIE RODS
(FIXED REAR AXLE)
(4-WHEEL DRIVE)**
HP9385 -UN-03DEC99



HP9385

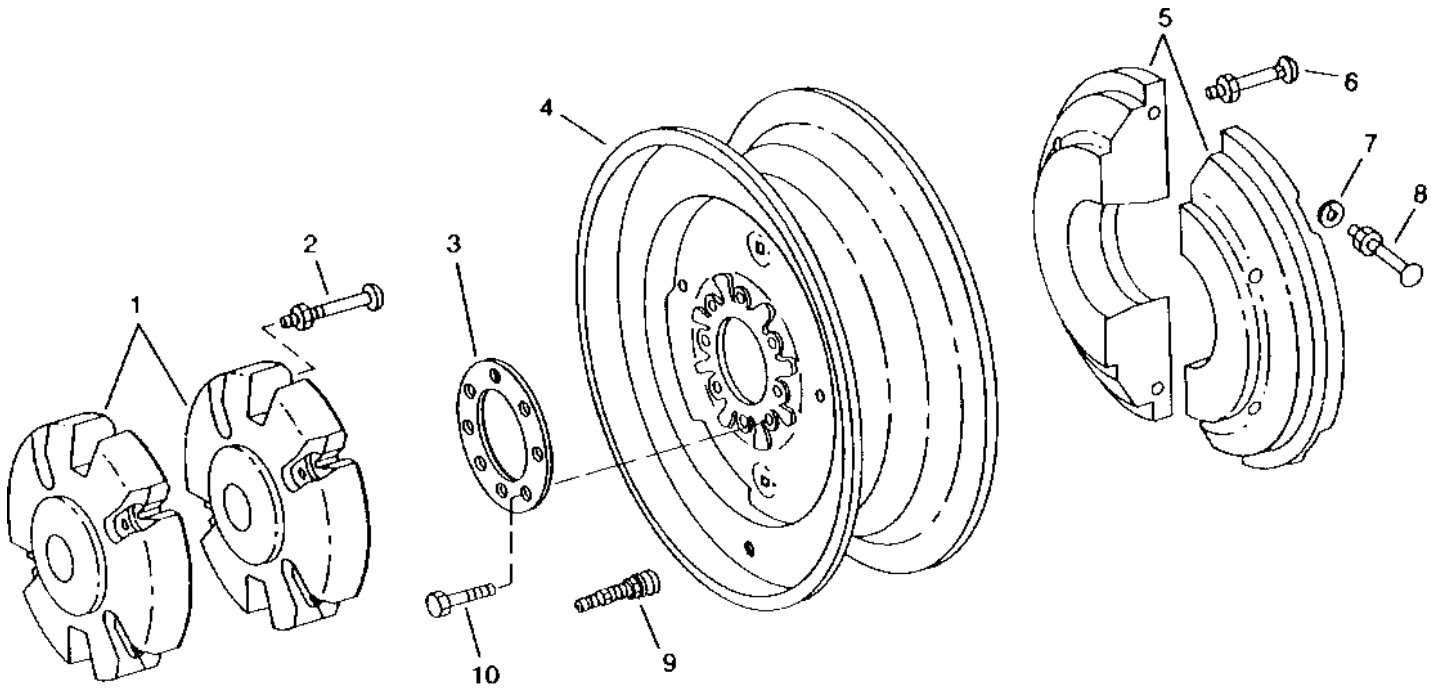
| KEY | PART NO. | PART NAME | QTY | SERIAL NO. | REMARKS |
|-----|----------|---------------------|-----|------------|------------------------------------|
| 1 | JD7797 | LUBRICATION FITTING | 1 | | |
| 2 | R78027 | COVER | 2 | | (TRW ONLY) |
| 3 | 14H902 | NUT | 2 | | 3/4" |
| 4 | 11M7092 | COTTER PIN | 2 | | 3.200 X 40 MM |
| 5 | RE12326 | TIE ROD END | 1 | | (L.H.THREAD) |
| 6 | R78026 | NUT | 1 | | 28.575 MM (1-1/8") (L.H.) |
| 7 | H136335 | TUBE | 1 | | (L.H.) |
| 8 | 19M7820 | SCREW | 4 | | M12 X 100 |
| | 14M7401 | LOCK NUT | 4 | | M12 |
| 9 | H139807 | CLAMP | 8 | | (SUB FOR H134550) |
| 10 | H140382 | TUBE | 1 | | (SUB FOR H130225) |
| 11 | H136334 | TUBE | 1 | | (R.H.) |
| 12 | R78025 | LOCK NUT | 1 | | 28.575 MM (1-1/8") (R.H.) |
| 13 | JD7806 | LUBRICATION FITTING | 1 | -641842 | 90° X 19.050 MM LONG (3/4" LONG) |
| | JD7788 | LUBRICATION FITTING | 1 | 641843- | 45° X 20.574 MM LONG (0.810" LONG) |
| 14 | RE12325 | TIE ROD END | 1 | | (R.H.THREAD) |

**STEERING TIE RODS
(ADJUSTABLE REAR AXLE)
(NON-POWERED AND 4-WHEEL DRIVE)**
HP9386 -UN-03DEC99



| KEY | PART NO. | PART NAME | QTY | SERIAL NO. | REMARKS |
|-----|----------------|------------------------------------|----------|------------|--|
| 1 | JD7797 | LUBRICATION FITTING | 1 | | |
| 2 | R78027 | COVER | 2 | | (TRW ONLY) |
| 3 | 14H902 | NUT | 2 | | 3/4" |
| 4 | 11M7092 | COTTER PIN | 2 | | 3.200 X 40 MM |
| 5 | RE12326 | TIE ROD END | 1 | | (L.H.THREAD) |
| 6 | R78026 | NUT | 1 | | 28.575 MM (1-1/8") (L.H.) |
| 7 | H130227 | TUBE | 1 | | (L.H.) |
| 8 | 19M7820 | SCREW | 4 | | M12 X 100 |
| | 14M7401 | LOCK NUT | 4 | | M12 |
| 9 | H139807 | CLAMP | 8 | | (SUB FOR H134550) |
| 10 | H140382 | TUBE | 1 | | (SUB FOR H130225) (CENTER) (NON-POWERED REAR AXLE) |
| | H140383 | TUBE | 1 | | (SUB FOR H130226) (CENTER) (4-WHEEL DRIVE REAR AXLE) |
| 11 | H130228 | TUBE | 1 | | (R.H.) |
| 12 | R78025 | LOCK NUT | 1 | | 28.575 MM (1-1/8") (R.H.) |
| 13 | JD7806 | LUBRICATION FITTING | 1 | -641842 | 90° X 19.050 MM LONG (3/4" LONG) |
| | JD7788 | LUBRICATION FITTING | 1 | 641843- | 45° X 20.574 MM LONG (0.810" LONG) |
| 14 | RE12325 | TIE ROD END | 1 | | (R.H.THREAD) |
| .. | BH71746 | COMPLETE GOODS/SHIP. BUNDLE | 1 | | 4-WHEEL DRIVE CONVERSION |
| .. | BH80002 | COMPLETE GOODS/SHIP. BUNDLE | 1 | | 4-WHEEL DRIVE CONVERSION |

REAR WHEELS AND WHEEL WEIGHTS
HP3379 -UN-01JAN94



HP3379

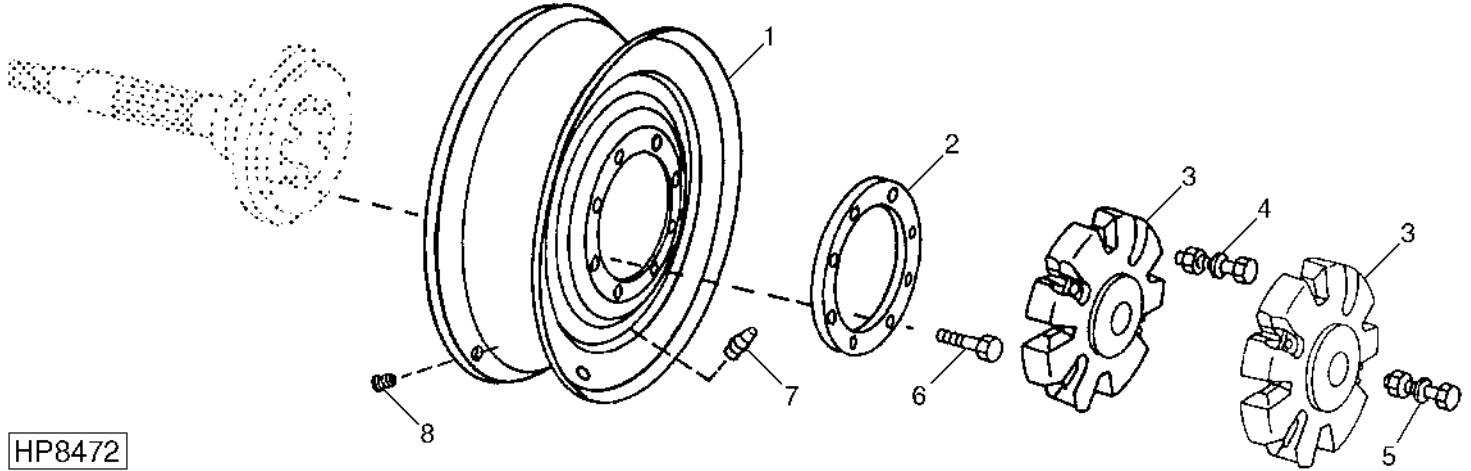
REAR WHEELS AND WHEEL WEIGHTS - CONTINUED

| KEY | PART NO. | PART NAME | QTY | SERIAL NO. | REMARKS |
|-----|----------------|------------------------------------|-----|------------|--|
| 1 | H103543 | WEIGHT | AR | | OUTSIDE (OPTIONAL) (USE 1 OR 2) |
| 2 | 03H1858 | BOLT | 4 | | 5/8" X 3-1/2" |
| | 12H294 | LOCK WASHER | 4 | | 5/8" |
| | 14H1039 | NUT | 4 | | |
| 3 | H84375 | RING | 1 | | |
| 4 | AH117662 | WHEEL | 1 | | (USE WITH 11.2X24 OR 11.0X24 TIRES) |
| | AH122100 | WHEEL | 1 | | (USE WITH 14.9X24 TIRES) |
| | AH144695 | WHEEL | 1 | | (SUB AH167584) (USE WITH 28L X 26 TIRES) |
| | AH167584 | WHEEL | 1 | | |
| | AH167434 | WHEEL | 1 | | (SUB FOR AH135217) (USE WITH 16.9 X 26 X 10 TIRES) |
| 5 | H95547 | WEIGHT | 2 | | INSIDE (OPTIONAL) |
| 6 | 03H1605 | BOLT | 4 | | 5/8" X 4" (WITH INSIDE WEIGHTS) |
| | 03H1860 | BOLT | 4 | | 5/8" X 6" (WITH INSIDE AND OUTSIDE WEIGHTS) |
| | 12H294 | LOCK WASHER | 4 | | 5/8" |
| | 14H1039 | NUT | 4 | | 5/8" |
| 7 | 24H1111 | WASHER | 2 | | 17/32" X 1-1/16" X 0.090" |
| 8 | 03H1852 | BOLT | 2 | | 1/2" X 4" |
| | 12H301 | LOCK WASHER | 2 | | 1/2" |
| | 14H1040 | NUT | 2 | | 1/2" |
| 9 | AT25226 | TIRE VALVE STEM | 1 | | (USE WITH TUBELESS TIRES) |
| 10 | 19H3343 | CAP SCREW | 4 | | 5/8" X 2" |
| | H163491 | CAP SCREW | 4 | 4AUG97- | 5/8" X 2.244", (USE WITH 16.9 X 26 WHEEL) |
| .. | H145995 | LABEL | 2 | | "IMPORTANT" WHEEL BOLT TORQUE, (SUB FOR H116641) |
| .. | H150646 | DECAL | 2 | 660301- | "IMPORTANT" 15 PSI (103 KPA) (28L X 26-10 OR 12 PLY TIRE) (68 X 50-32 16 PLY TIRE) |
| .. | H174266 | LABEL | 2 | 660301- | (SUB FOR H151575) "IMPORTANT" ON AXLE STOP (28L X 26-10 OR 12 PLY TIRE) |
| .. | H111541 | LABEL | 2 | -635100 | "IMPORTANT" 40 PSI (275 KPA) (11.0 X 24-8 PLY TIRES) |
| .. | H141593 | LABEL | 2 | 635101- | "IMPORTANT" 46 PSI (317 KPA) (11.2 X 24-8 PLY TIRES) |
| .. | H140709 | LABEL | 2 | 635101- | "IMPORTANT" 26 PSI (180 KPA) (14.9 X 24-6 PLY TIRES) |
| .. | H153728 | LABEL | 2 | 662368- | TIRE CLEARANCE (18.4 X 30 R2 TIRES ONLY) |
| .. | H140710 | LABEL | 2 | | TIRE PRESSURE (16.9 X 26 X 10 TIRES) 34 PSI |
| .. | BH71726 | COMPLETE GOODS/SHIP. BUNDLE | 1 | | WHEEL WEIGHTS |
| .. | BH71727 | COMPLETE GOODS/SHIP. BUNDLE | 1 | | WHEEL WEIGHTS - OUTSIDE |
| .. | BH71728 | COMPLETE GOODS/SHIP. BUNDLE | 1 | | WHEEL WEIGHTS - AUXILIARY |
| .. | BH71735 | COMPLETE GOODS/SHIP. BUNDLE | 1 | | WHEEL WEIGHTS - OUTSIDE |
| .. | BH81792 | COMPLETE GOODS/SHIP. BUNDLE | 1 | | L.H. (28LX26) 10 PLY |
| .. | BH81793 | COMPLETE GOODS/SHIP. BUNDLE | 1 | | R.H. (28LX26) 10 PLY |
| .. | BH81794 | COMPLETE GOODS/SHIP. BUNDLE | 1 | | L.H. (28LX26) 12 PLY |
| .. | BH81795 | COMPLETE GOODS/SHIP. BUNDLE | 1 | | R.H. (28LX26) 12 PLY |
| .. | BH80924 | COMPLETE GOODS/SHIP. BUNDLE | 1 | | REAR (28LX26) 10 PLY |
| .. | BH80925 | COMPLETE GOODS/SHIP. BUNDLE | 1 | | REAR (28LX26) 12 PLY |

NOTE: QUANTITIES SHOWN ARE FOR ONE UNIT. TWO UNITS USED PER MACHINE.

REAR WHEELS
(4-WHEEL DRIVE / CAM LOBE MOTOR)

HP8472 -UN-21APR99



HP8472

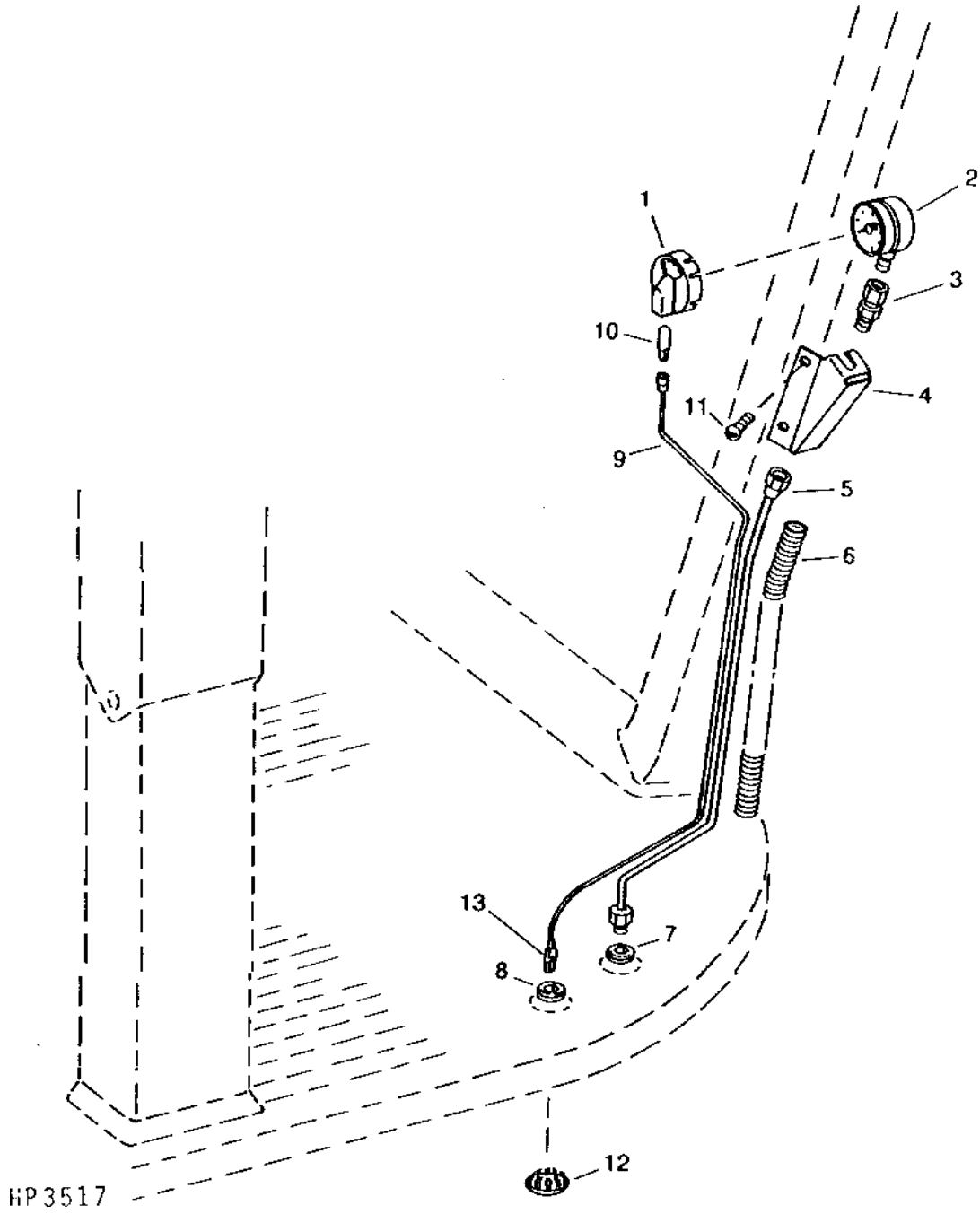
| KEY | PART NO. | PART NAME | QTY | SERIAL NO. | REMARKS |
|-----|----------|-----------------|-----|------------|--|
| 1 | AH64610 | WHEEL | 1 | | DEMOUNTABLE (USE WITH 18.4 X 26 TIRE) (SUB AH167582) |
| | AH167582 | WHEEL CENTER | 1 | | |
| | AH138809 | WHEEL | 1 | | (USE WITH 18.4 X 30 TIRES) |
| 2 | H84375 | RING | 1 | | |
| 3 | H103543 | WEIGHT | 2 | | (OPTIONAL) |
| 4 | 03H2075 | BOLT | 4 | | 5/8" X 3" |
| | 12H294 | LOCK WASHER | 4 | | 5/8" |
| | 14H1039 | NUT | 4 | | 15.875 MM (5/8") |
| 5 | 03H1858 | BOLT | 4 | | 5/8" X 3-1/2" |
| | 12H294 | LOCK WASHER | 4 | | 5/8" |
| | 14H1039 | NUT | 4 | | 15.875 MM (5/8") |
| 6 | 19H3343 | CAP SCREW | 8 | | 5/8" X 2" |
| 7 | AT25226 | TIRE VALVE STEM | 1 | | (USE WITH TUBELESS TIRES) |
| 8 | AH86866 | PLUG | 1 | | (USE WITH TUBELESS TIRES) |
| .. | H116641 | LABEL | 2 | -640873 | (SUB H145995) "IMPORTANT" WHEEL BOLT TORQUE |
| .. | H145995 | LABEL | 2 | | "IMPORTANT" WHEEL BOLT TORQUE |
| .. | H108604 | LABEL | 2 | -635300 | "IMPORTANT" 20 PSI (140 KPA) (18.4 X 26 - 6 PLY) |

NOTE: QUANTITIES SHOWN ARE FOR ONE UNIT. TWO UNITS USED PER MACHINE.

MEMORANDA

5B21

ACCUMULATOR PRESSURE GAUGE AND WIRING HARNESS
HP3517 -UN-01JAN94



5B22

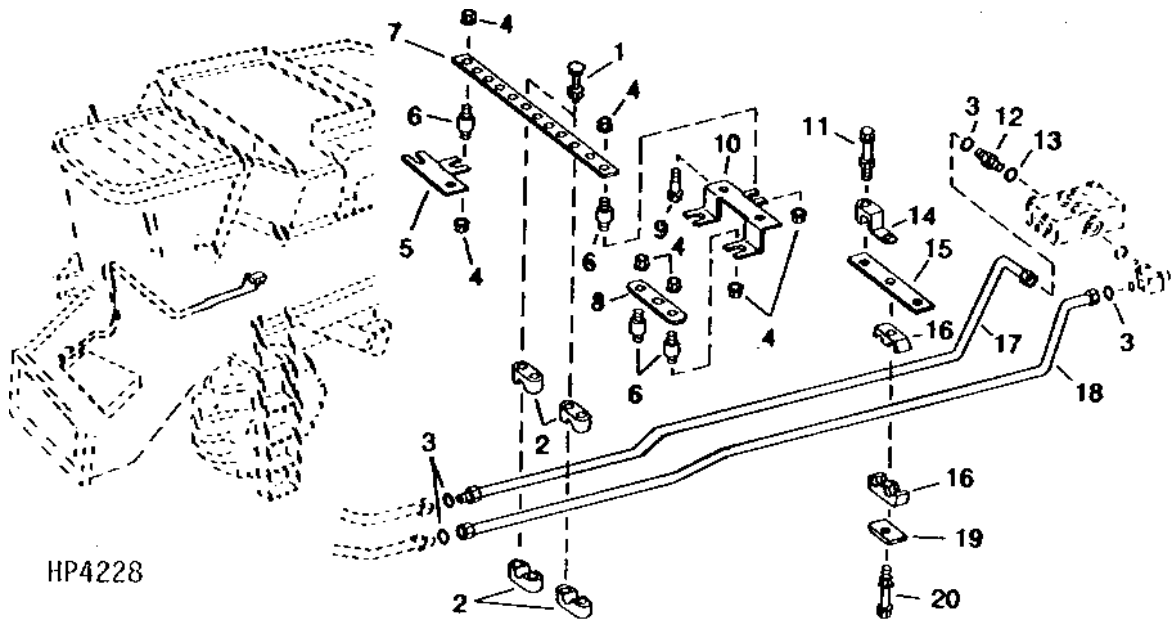
HYDRAULICS

ACCUMULATOR PRESSURE GAUGE AND WIRING HARNESS - CONTINUED

| KEY | PART NO. | PART NAME | QTY | SERIAL NO. | REMARKS |
|-----|----------------|------------------------------------|----------|------------|---|
| 1 | H111378 | COVER | 1 | | |
| 2 | AH108080 | PRESSURE GAUGE | 1 | | |
| 3 | AB18206 | ADAPTER | 1 | | (WITH JAM NUT) |
| 4 | AH132832 | BRACKET | 1 | | |
| 5 | AH132027 | OIL LINE | 1 | | |
| 6 | H137523 | CONDUIT | 1 | | |
| 7 | T65643 | GROMMET | 1 | | |
| 8 | T63817 | GROMMET | 1 | | |
| 9 | AH134205 | WIRING LEAD | 1 | | |
| 10 | AH108380 | BULB | 1 | | |
| 11 | H165691 | SCREW | 2 | | M6 X 20, (SUB FOR H131591 OR H168780) |
| 12 | R32239 | PLUG | 2 | | USE WITHOUT ACCUM. GAUGE |
| 13 | RE12363 | CONNECTOR | 1 | | (PKG OF 3) |
| | R78048 | TERMINAL NIPPLE | 1 | | (PKG OF 5) |
| .. | BH80267 | COMPLETE GOODS/SHIP. BUNDLE | 1 | | ACCUMULATOR WITH FLOAT INDICATOR |

5B23

REEL DRIVE HYDRAULIC LINES AND HOSES, L.H. SIDE
HP4228 -UN-01JAN94



5B24

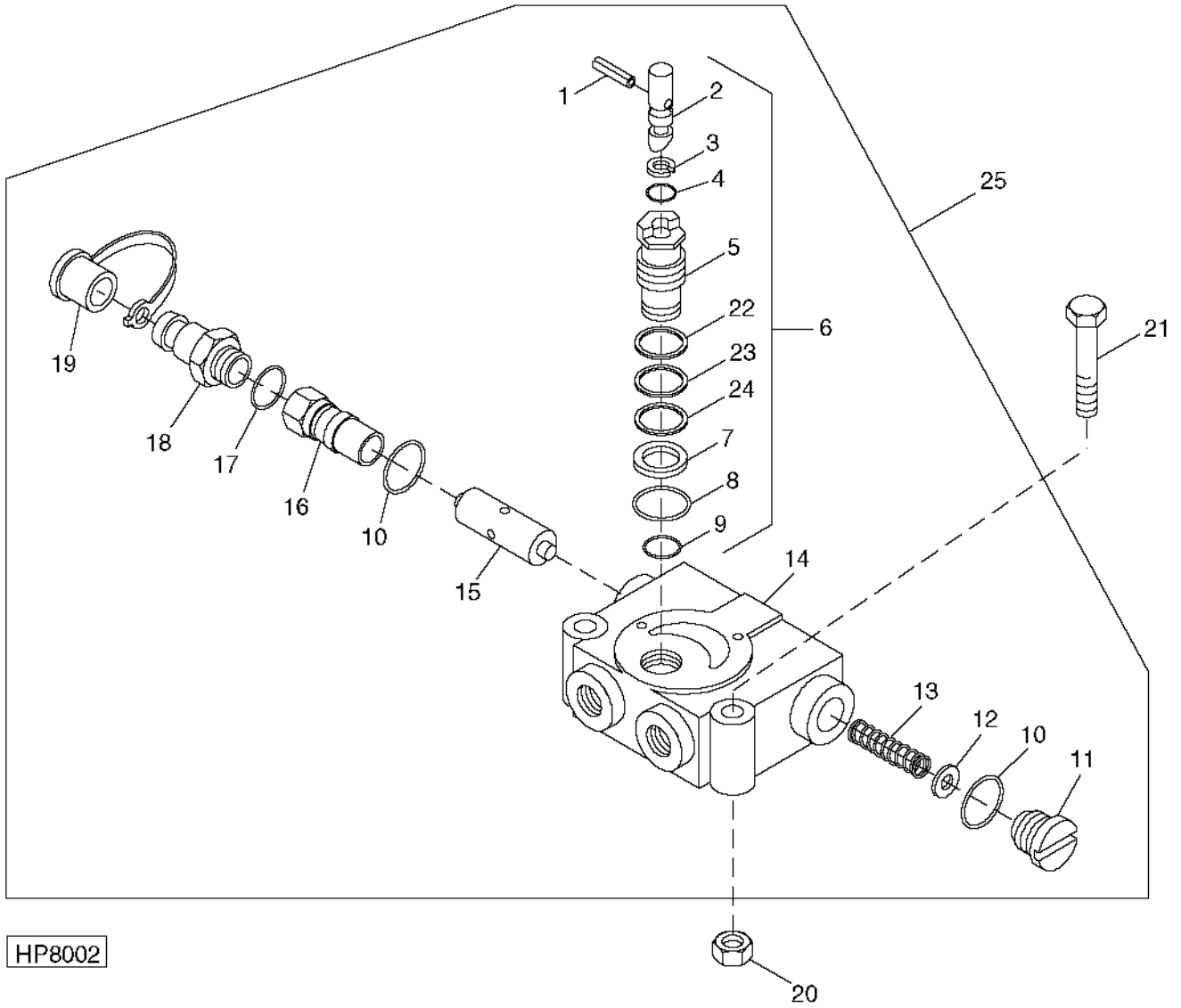
HYDRAULICS

REEL DRIVE HYDRAULIC LINES AND HOSES, L.H. SIDE - CONTINUED

| KEY | PART NO. | PART NAME | QTY | SERIAL NO. | REMARKS |
|-----|----------|----------------|-----|------------|-------------------------------------|
| 1 | 37M7102 | SCREW | 4 | -632019 | M8 X 40 |
| | 03M7189 | BOLT | 4 | 632020- | M8 X 45 |
| | 14M7298 | FLANGE NUT | 4 | 632020- | M8 |
| 2 | H115533 | CLAMP | 4 | | |
| 3 | T77932 | O-RING | 4 | | 15.596 X 1.778 MM (0.614" X 0.070") |
| 4 | N10217 | LOCK NUT | 8 | | 6.350 MM (1/4") |
| 5 | H134427 | BRACKET | 1 | | |
| 6 | AH126657 | ISOLATOR | 4 | | |
| 7 | H134426 | STRAP | 1 | -632019 | |
| | H140298 | STRAP | 1 | 632020- | |
| 8 | H134425 | STRAP | 1 | | |
| 9 | 37M7092 | SCREW | 4 | | M8 X 16 |
| | 37M7092 | SCREW | 4 | -640300 | M8 X 16 |
| | 37M7058 | SCREW | 4 | 640301- | M8 X 20 |
| 10 | H134424 | BRACKET | 1 | -632019 | |
| | H140298 | STRAP | 1 | 632020- | |
| 11 | 19M7801 | SCREW | 1 | | M8 X 60 |
| | 14M7298 | FLANGE NUT | 1 | | M8 |
| 12 | 38H1162 | ADAPTER | 1 | | |
| 13 | R26906 | O-RING | 1 | | 19.177 X 2.464 MM (0.755" X 0.097") |
| 14 | H112162 | CLAMP | 1 | | |
| 15 | H131163 | STRAP | 1 | -637683 | |
| 16 | H109046 | CLAMP | 1 | -637683 | |
| 17 | AH130209 | HYDRAULIC LINE | 1 | | (PRESSURE) |
| 18 | AH131317 | HYDRAULIC LINE | 1 | | (RETURN) |
| 19 | H121168 | PLATE | 1 | -637683 | |
| 20 | 19M8318 | SCREW | 1 | -637683 | M8 X 45 |
| | 14M7298 | FLANGE NUT | 1 | -637683 | M8 |

5C1

REEL DRIVE FLOW CONTROL VALVE
HP8002 -UN-02MAR99



5C2

REEL DRIVE FLOW CONTROL VALVE - CONTINUED

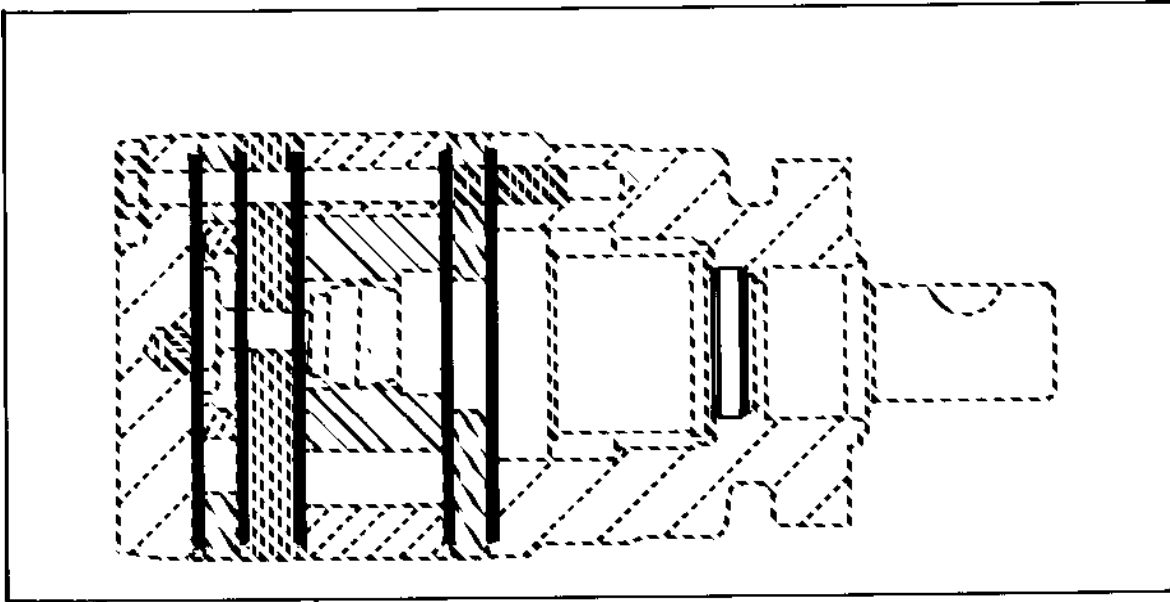
| KEY | PART NO. | PART NAME | QTY | SERIAL NO. | REMARKS |
|-----|----------|----------------------------|-----|---|---------|
| 1 | | GROOVE PIN | 1 | | |
| 2 | | STEM | 1 | | |
| 3 | | BACK-UP RING | 1 | (A) | |
| 4 | | O-RING | 1 | (A) | |
| 5 | | PLUG | 1 | | |
| 6 | AH140903 | KIT | 1 | (SUB FOR AH129323 OR AH136203) | |
| 7 | | BACK-UP RING | 1 | (A) | |
| 8 | | O-RING | 1 | (A) | |
| 9 | | O-RING | 1 | (A) | |
| 10 | H63289 | O-RING | 2 | (A) 20.295 X 2.616 MM | |
| 11 | | PLUG | 1 | | |
| 12 | | SHIM | 1 | | |
| 13 | | SPRING | 1 | | |
| 14 | | HOUSING | 1 | | |
| 15 | | SPOOL | 1 | | |
| 16 | | PLUG | 1 | | |
| 17 | R26448 | O-RING | 1 | (A) 11.887 X 1.981 MM | |
| 18 | AH125760 | HYD. QUICK-CONNECT COUPLER | 1 | DIAGNOSTIC | |
| 19 | R77175 | COVER | 1 | | |
| 20 | 14M7298 | FLANGE NUT | 2 | M8 | |
| 21 | 19M7801 | SCREW | 2 | M8 X 60, (SUB FOR AH130180 OR AH136202) | |
| 22 | | SHIM | AR | | |
| 23 | | SHIM | AR | | |
| 24 | | SHIM | AR | | |
| 25 | AH140902 | CHECK VALVE | 1 | | |
| .. | AH136248 | SEAL KIT | 1 | (SUB FOR AH81167) INCLUDES PARTS MARKED (A) | |

5C3

CHAFF SPREADER MOTOR (TRW ROSS)

(-656146)

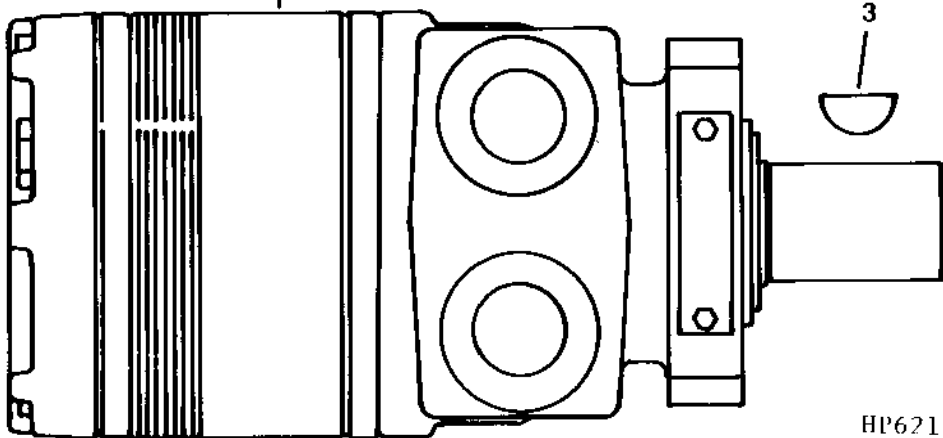
HP6213 -UN-06DEC95



2



1



HP6213

5C4

HYDRAULICS

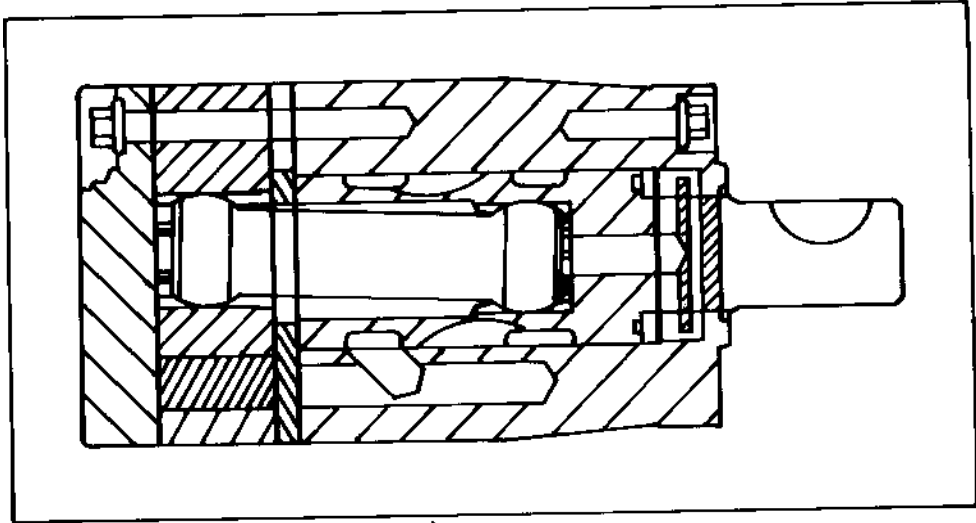
CHAFF SPREADER MOTOR (TRW ROSS) - CONTINUED
(-656146)

| KEY | PART NO. | PART NAME | QTY | SERIAL NO. | REMARKS |
|-----|----------|-----------|-----|------------|--|
| 1 | AH127887 | MOTOR | 1 | | |
| 2 | AH131089 | SEAL KIT | 1 | | |
| 3 | 26H22 | SHAFT KEY | 1 | | 6.350 X 25.400 MM (1/4" X 1") WOODRUFF |

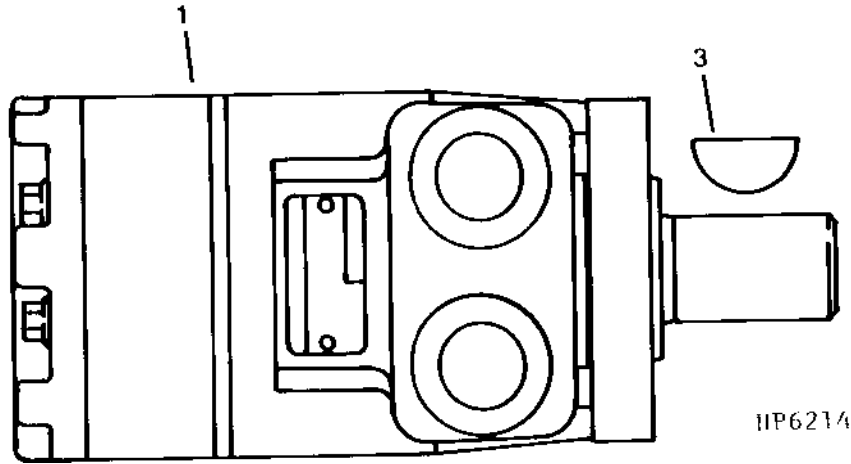
5C5

CHAFF SPREADER MOTOR (EATON)

(656147-)
HP6214 -UN-06DEC95



2



HP6214

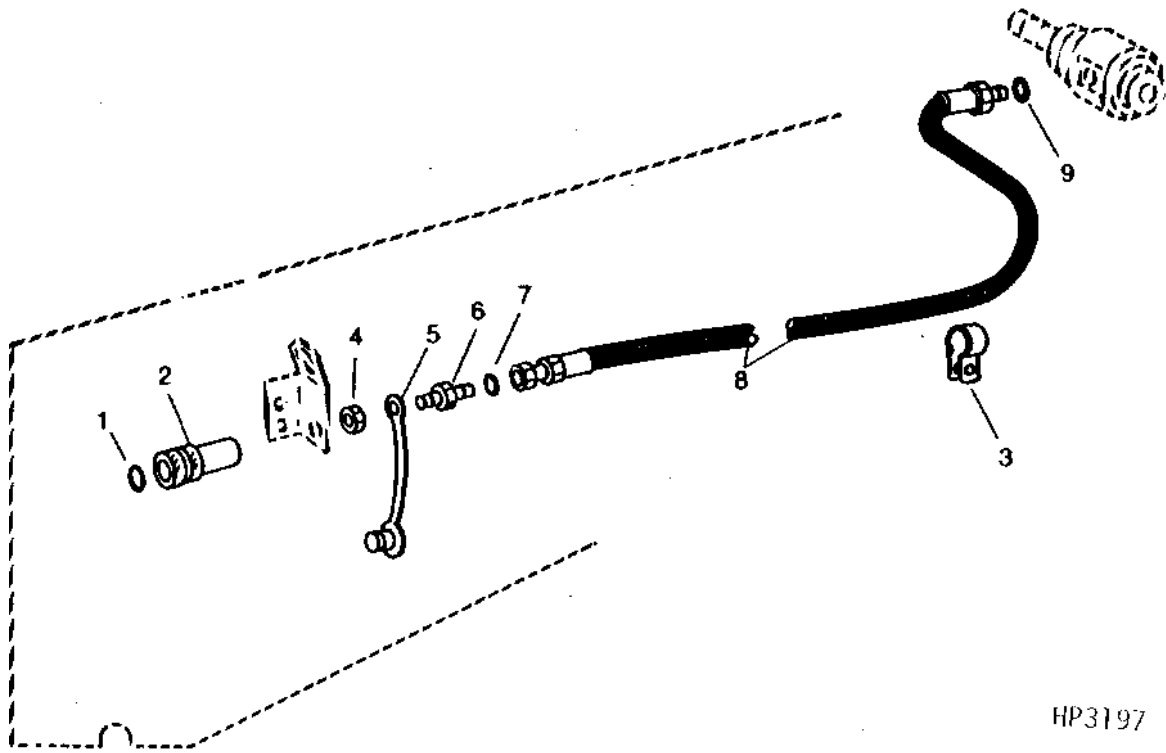
5C6

HYDRAULICS

CHAFF SPREADER MOTOR (EATON) - CONTINUED
(656147-)

| KEY | PART NO. | PART NAME | QTY | SERIAL NO. | REMARKS |
|-----|----------|-----------|-----|------------|--|
| 1 | AH141858 | MOTOR | 1 | | |
| 2 | AH144831 | SEAL KIT | 1 | | |
| 3 | 26H22 | SHAFT KEY | 1 | | 6.350 X 25.400 MM (1/4" X 1") WOODRUFF |

FEEDER HOUSE VARIABLE DRIVE HYDRAULIC HOSE
 HP3197 -UN-01JAN94



HP3197

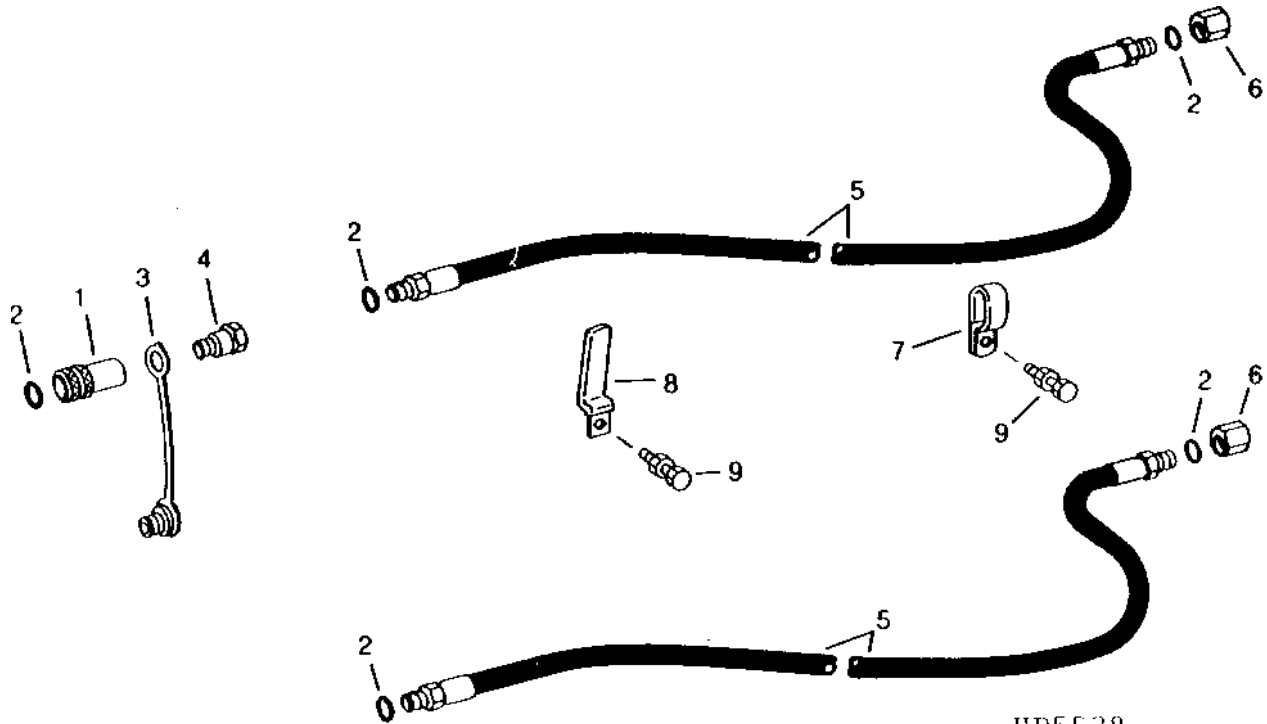
| KEY | PART NO. | PART NAME | QTY | SERIAL NO. | REMARKS |
|-----|----------|----------------------------|-----|------------|-------------------------------------|
| 1 | R26375 | O-RING | 1 | | 16.358 X 2.210 MM (0.644" X 0.087") |
| 2 | AH75167 | HYD. QUICK-CONNECT COUPLER | 1 | | |
| 3 | AH78125 | CLIP | 1 | -16FEB8 | (USE EXISTING HARDWARE) |
| | T27523 | CLAMP | 2 | 16FEB8- | |
| 4 | T81029 | NUT | 1 | | 17.475 MM (11/16") |
| 5 | H125403 | PLUG | 1 | | |
| 6 | AH121643 | ORIFICE | 1 | | |
| 7 | T77613 | O-RING | 1 | | 9.246 X 1.778 MM (0.364" X 0.070") |
| 8 | AH131333 | HYDRAULIC HOSE | 1 | -16FEB8 | 1/4" ID X 1040MM (41") |
| | AH156388 | HYDRAULIC HOSE - FABRICATE | 1 | 16FEB8- | 6.35MM ID X 1115MM LONG X 7/16-20 |
| 9 | R28782 | O-RING | 1 | | 8.915 X 1.829 MM (0.351" X 0.072") |

5C8

HYDRAULICS

200 SERIES CUTTING PLATFORM HYDRAULIC CONVERSION PARTS

HP5528 -UN-01JAN94



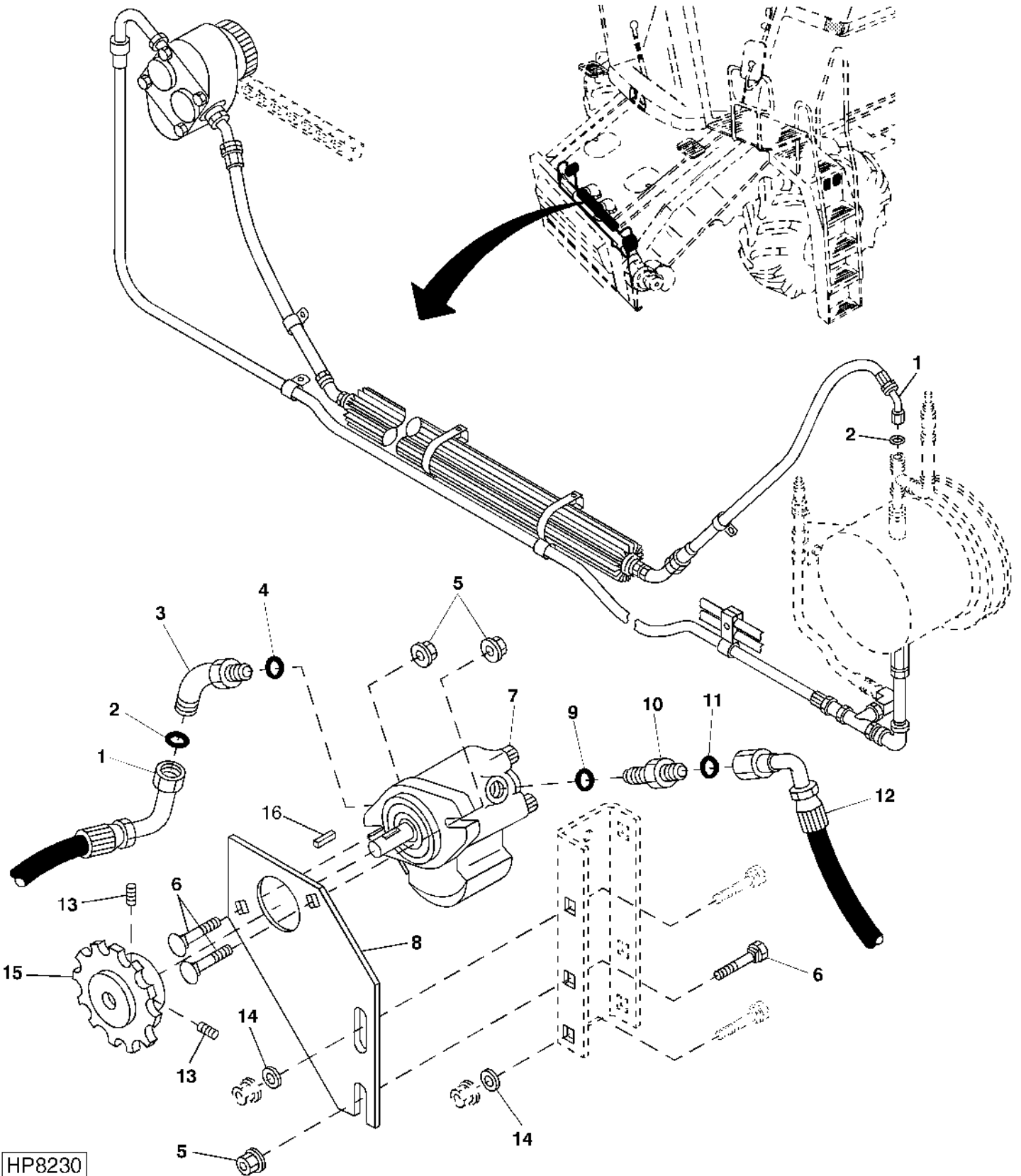
HP5528

| KEY | PART NO. | PART NAME | QTY | SERIAL NO. | REMARKS |
|-----|----------------|------------------------------------|----------|------------|--|
| 1 | AH75167 | HYD. QUICK-CONNECT COUPLER | 1 | | (INCLUDES INTERNAL O-RING) |
| 2 | R26375 | O-RING | 5 | | 16.358 X 2.210 MM (0.644" X 0.087") |
| 3 | H125403 | PLUG | 1 | | |
| 4 | H35112 | ADAPTER | 1 | | |
| 5 | AH130936 | HYDRAULIC HOSE | 2 | | 3/4" X 2 640 MM (104") X 3/4" |
| 6 | R30815 | FITTING | 2 | | |
| 7 | AH77869 | CLIP | 3 | | |
| 8 | AH78124 | CLIP | 1 | | |
| 9 | 19M7866 | SCREW | 4 | | M8 X 20 |
| | 14M7298 | FLANGE NUT | 4 | | M8 |
| .. | BH79019 | COMPLETE GOODS/SHIP. BUNDLE | 1 | | HEADER CONVERSION KIT (1984-1987) |

5C9

FEEDER HOUSE GEARCASE COOLER LUBE OIL PUMP

HP8230 -UN-16FEB99



HP8230

5C10

HYDRAULICS

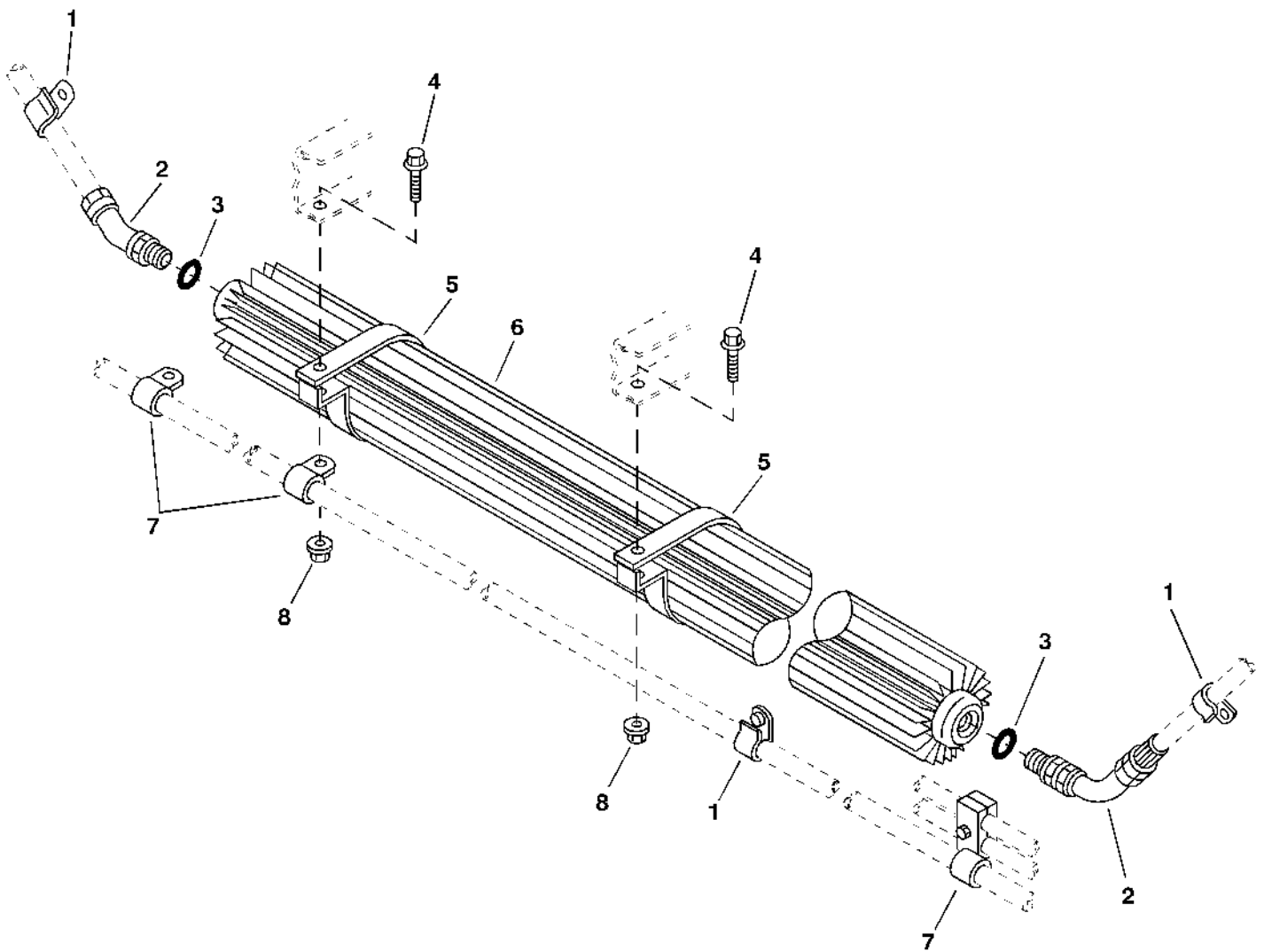
FEEDER HOUSE COOLER LUBE OIL PUMP - CONTINUED

| KEY | PART NO. | PART NAME | QTY | SERIAL NO. | REMARKS |
|-----|----------------|------------------------------------|----------|------------------------|-----------------------|
| 1 | AH151522 | HYDRAULIC HOSE | 2 | | PRESSURE |
| 2 | T77613 | O-RING | 4 | | |
| 3 | 38H1522 | ELBOW FITTING | 1 | | |
| 4 | R26375 | O-RING | 1 | | |
| 5 | 14M7296 | FLANGE NUT | 3 | M10 | |
| 6 | 03M7192 | BOLT | 3 | M10 X 30 | |
| 7 | AH148416 | OIL PUMP | 1 | | |
| 8 | H157594 | BRACKET | 1 | | |
| 9 | R26906 | O-RING | 1 | | |
| 10 | 38H1162 | ADAPTER | 1 | | |
| 11 | T77932 | O-RING | 2 | | |
| 12 | AH151521 | HYDRAULIC HOSE | 1 | | SUCTION |
| 13 | 22M7027 | SET SCREW | 2 | M6 X 16 | |
| 14 | 24H1226 | WASHER | 3 | 1/2" X 1-1/4" X 0.083" | |
| 15 | AH151301 | CHAIN SPROCKET | 1 | 12 TEETH | |
| 16 | N85298 | SHAFT KEY | 1 | | |
| .. | BH81311 | COMPLETE GOODS/SHIP. BUNDLE | 1 | | GEARBOX COOLER |

5C11

FEEDER HOUSE GEARCASE OIL COOLER

HP6649 -UN-20MAR97



HP6649

5C12

HYDRAULICS

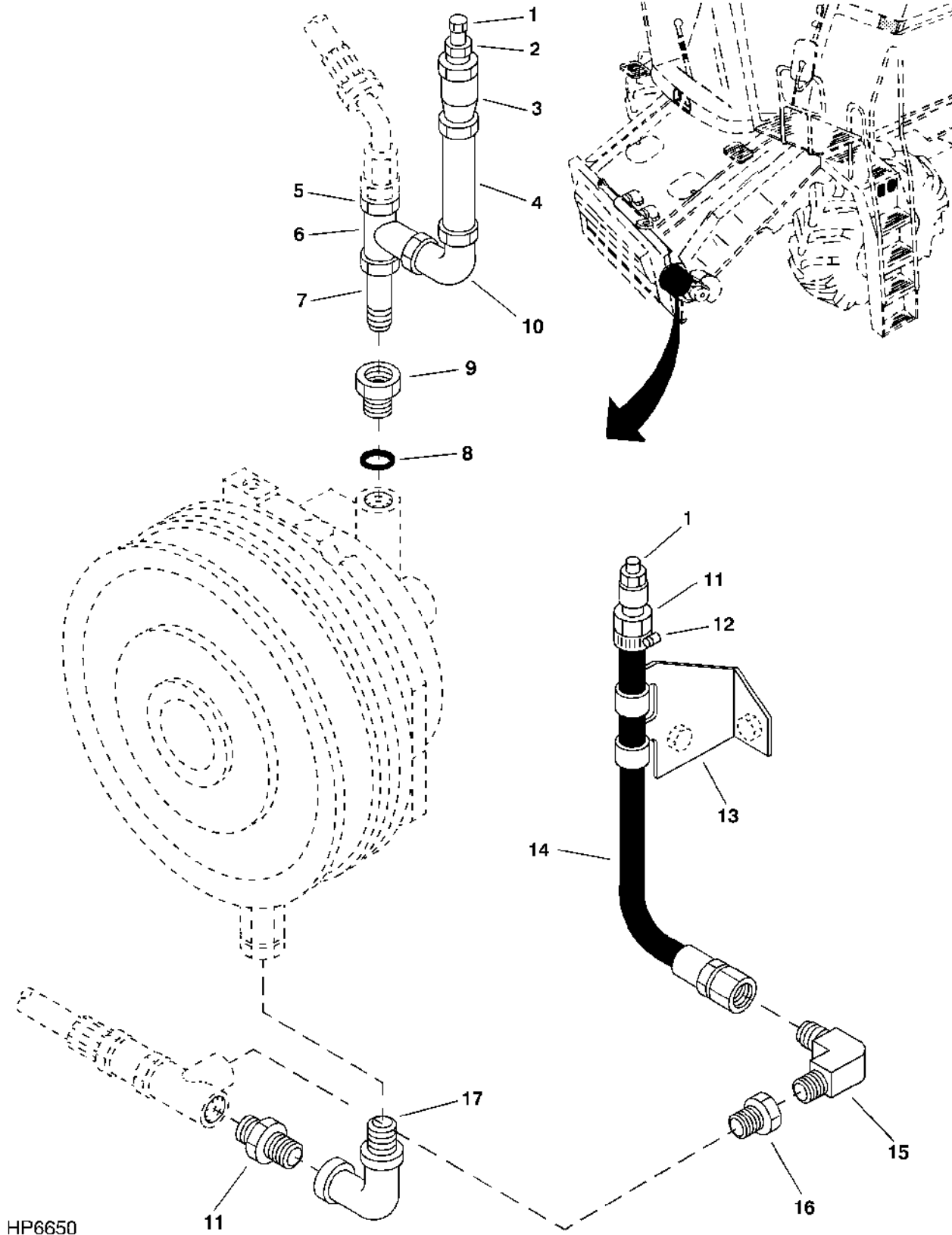
FEEDER HOUSE GEARCASE OIL COOLER - CONTINUED

| KEY | PART NO. | PART NAME | QTY | SERIAL NO. | REMARKS |
|-----|----------|---------------|-----|------------|---------|
| 1 | AH90990 | CLIP | 3 | | |
| 2 | 38H1522 | ELBOW FITTING | 2 | | |
| 3 | R26375 | O-RING | 2 | | |
| 4 | 19M7798 | SCREW | 2 | M8 X 40 | |
| 5 | R111156 | CLIP | 2 | | |
| 6 | AH150687 | OIL COOLER | 1 | | |
| 7 | H134690 | CLAMP | 3 | | |
| 8 | 14M7298 | FLANGE NUT | 2 | M8 | |

5C13

FEEDER HOUSE GEARCASE OIL COOLER FITTINGS AND HOSES

HP6650 -UN-18AUG97



HP6650

5C14

HYDRAULICS

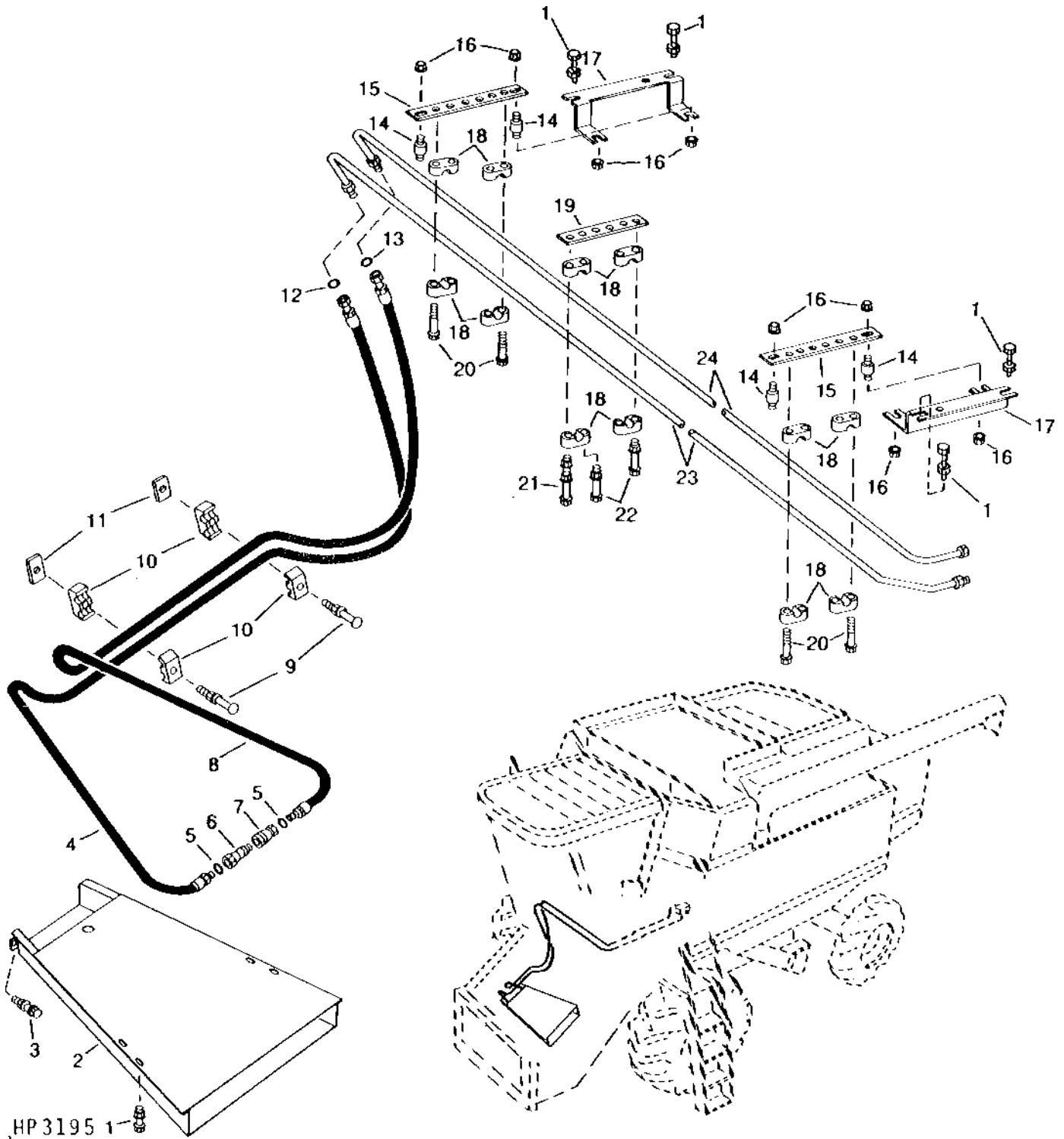
FEEDER HOUSE GEARCASE OIL COOLER FITTINGS AND HOSES - CONTINUED

| KEY | PART NO. | PART NAME | QTY | SERIAL NO. | REMARKS |
|-----|----------------|------------------------------------|----------|------------|-----------------------|
| 1 | AH106296 | BREATHER | 2 | | |
| 2 | 15H514 | PIPE BUSHING | 1 | | |
| 3 | 15H579 | COUPLING | 1 | | |
| 4 | 29H601 | THREADED NIPPLE | 2 | | |
| 5 | T78646 | ADAPTER | 1 | | |
| 6 | 15H580 | TEE FITTING | 1 | | |
| 7 | 29H593 | THREADED NIPPLE | 1 | | |
| 8 | R26906 | O-RING | 1 | | |
| 9 | T27986 | FITTING | 1 | | |
| 10 | 15H622 | ELBOW FITTING | 1 | | |
| 11 | T80906 | ADAPTER | 2 | | |
| 12 | AR48236 | CLAMP | 2 | | |
| 13 | H158665 | HINGE | 1 | | USE EXISTING HARDWARE |
| 14 | H157871 | HOSE | 1 | | |
| 15 | T28077 | ELBOW FITTING | 1 | | |
| 16 | 15H625 | PIPE BUSHING | 1 | | |
| 17 | 15H602 | ELBOW FITTING | 1 | | |
| .. | BH81311 | COMPLETE GOODS/SHIP. BUNDLE | 1 | | GEARBOX COOLER |

5C15

HYDRAULICS

REEL DRIVE HYDRAULIC LINES AND HOSES, FRONT
HP3195 -UN-01JAN94



HP3195 1

5C16

HYDRAULICS

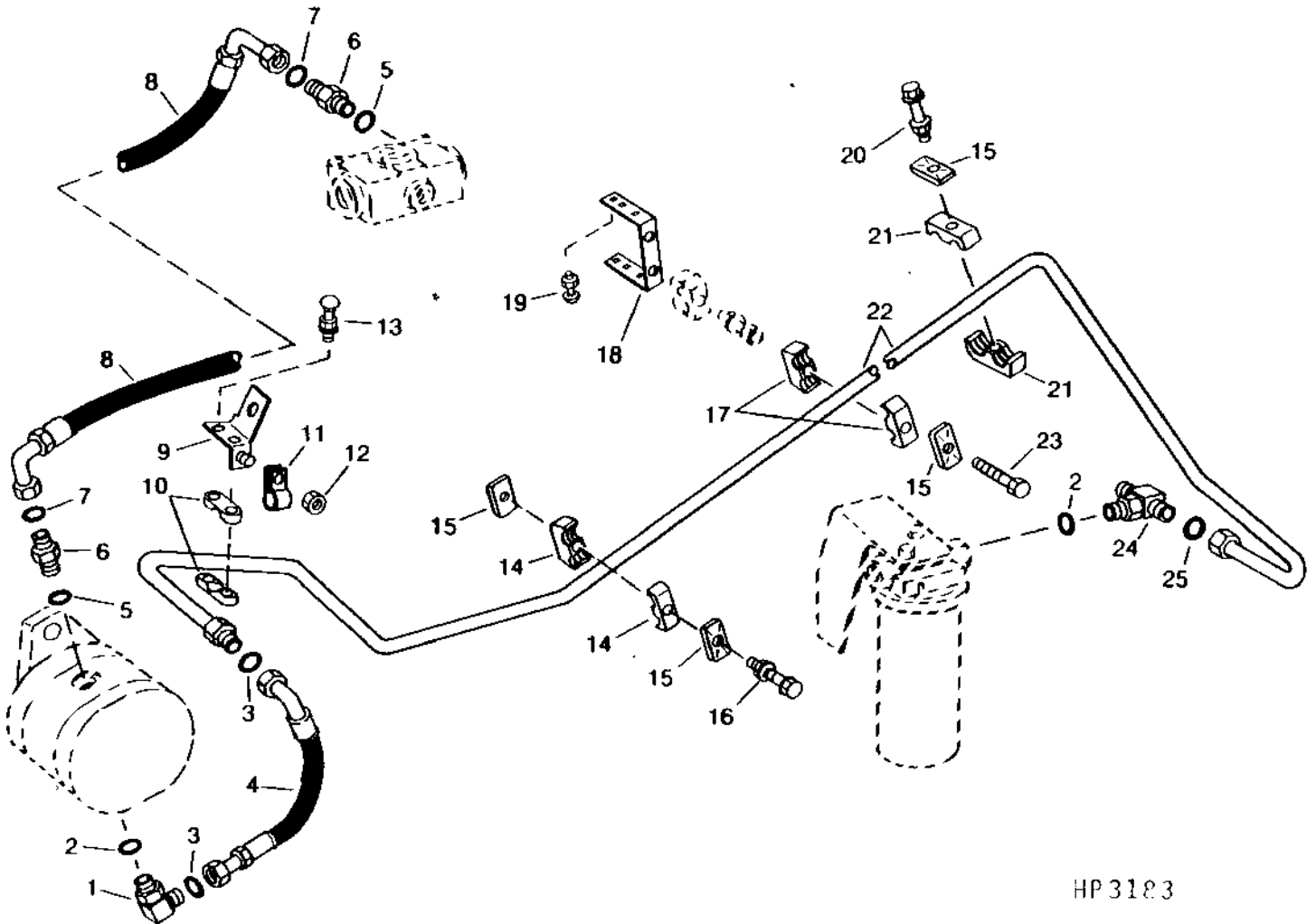
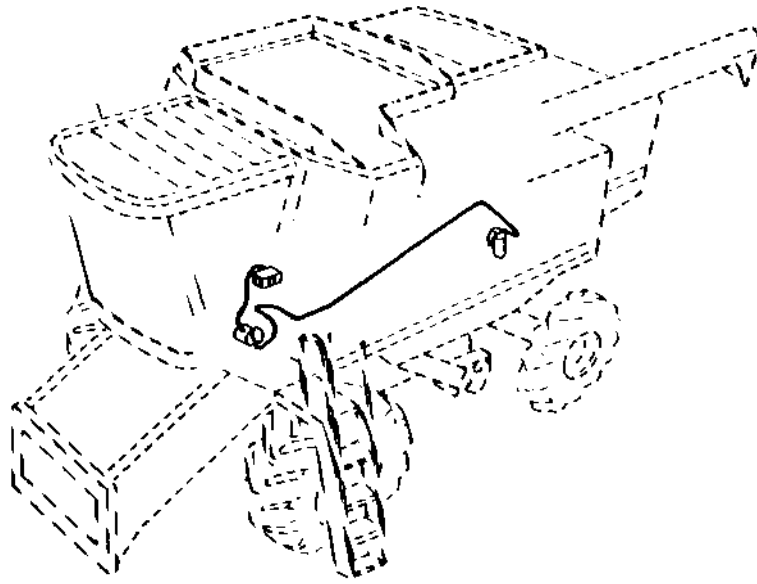
REEL DRIVE HYDRAULIC LINES AND HOSES, FRONT - CONTINUED

| KEY | PART NO. | PART NAME | QTY | SERIAL NO. | REMARKS |
|-----|----------|----------------------------|-----|---|----------------------------|
| 1 | 19M7865 | SCREW | 6 | M8 X 16 | |
| | 14M7298 | FLANGE NUT | 6 | M8 | |
| 2 | AH131303 | PAN | 1 | | |
| 3 | 19M7784 | SCREW | 2 | M10 X 20 | |
| | 14M7296 | FLANGE NUT | 2 | M10 | |
| 4 | AH130559 | HYDRAULIC HOSE | 1 | 3/4" X 2 789 MM (109-3/4") X 1" (RETURN) | |
| 5 | R26375 | O-RING | 2 | 16.358 X 2.210 MM (0.644" X 0.087") | |
| 6 | AR94522 | INTERNAL HALF COUPLER | 1 | | |
| 7 | AH75167 | HYD. QUICK-CONNECT COUPLER | 1 | | (INCLUDES INTERNAL O-RING) |
| | P45750 | O-RING | 1 | 20.218 X 3.531 MM (0.796" X 0.139") | |
| | L24517 | BACK-UP RING | 1 | | |
| | T12960 | SNAP RING | 1 | | |
| 8 | AH130558 | HYDRAULIC HOSE | 1 | 3/4" X 2 714 MM (106-3/4") X 13/16" (PRESSURE) | |
| 9 | 03M7245 | BOLT | 2 | M8 X 55 | |
| | 14M7298 | FLANGE NUT | 2 | M8 | |
| 10 | H122772 | CLAMP | 4 | | |
| 11 | H112567 | PLATE | 2 | | |
| 12 | T77932 | O-RING | 1 | 15.596 X 1.778 MM (0.614" X 0.070") | |
| 13 | T77857 | O-RING | 1 | 12.421 X 1.778 MM (0.489" X 0.070") | |
| 14 | AH126657 | ISOLATOR | 4 | | |
| 15 | H134429 | STRAP | 2 | | |
| 16 | N10217 | LOCK NUT | 8 | 6.350 MM (1/4") | |
| 17 | H135618 | BRACKET | 2 | | |
| 18 | H115533 | CLAMP | 12 | | |
| 19 | H134558 | STRAP | 1 | | |
| 20 | 37M7102 | SCREW | 8 | M8 X 40 | |
| 21 | 19M7979 | SCREW | 1 | M8 X 55 | |
| | 14M7298 | FLANGE NUT | 2 | M8 | |
| 22 | 19M8318 | SCREW | 3 | M8 X 45 | |
| | 14M7298 | FLANGE NUT | 3 | M8 | |
| 23 | AH135685 | HYDRAULIC LINE | 1 | | (SUB FOR AH131323) |
| 24 | AH135687 | HYDRAULIC LINE | 1 | | (SUB FOR AH130214) |

5C17

HYDRAULICS

REEL PUMP HYDRAULIC LINES AND HOSES
HP3183 -UN-01JAN94



HP3183

5C18

HYDRAULICS

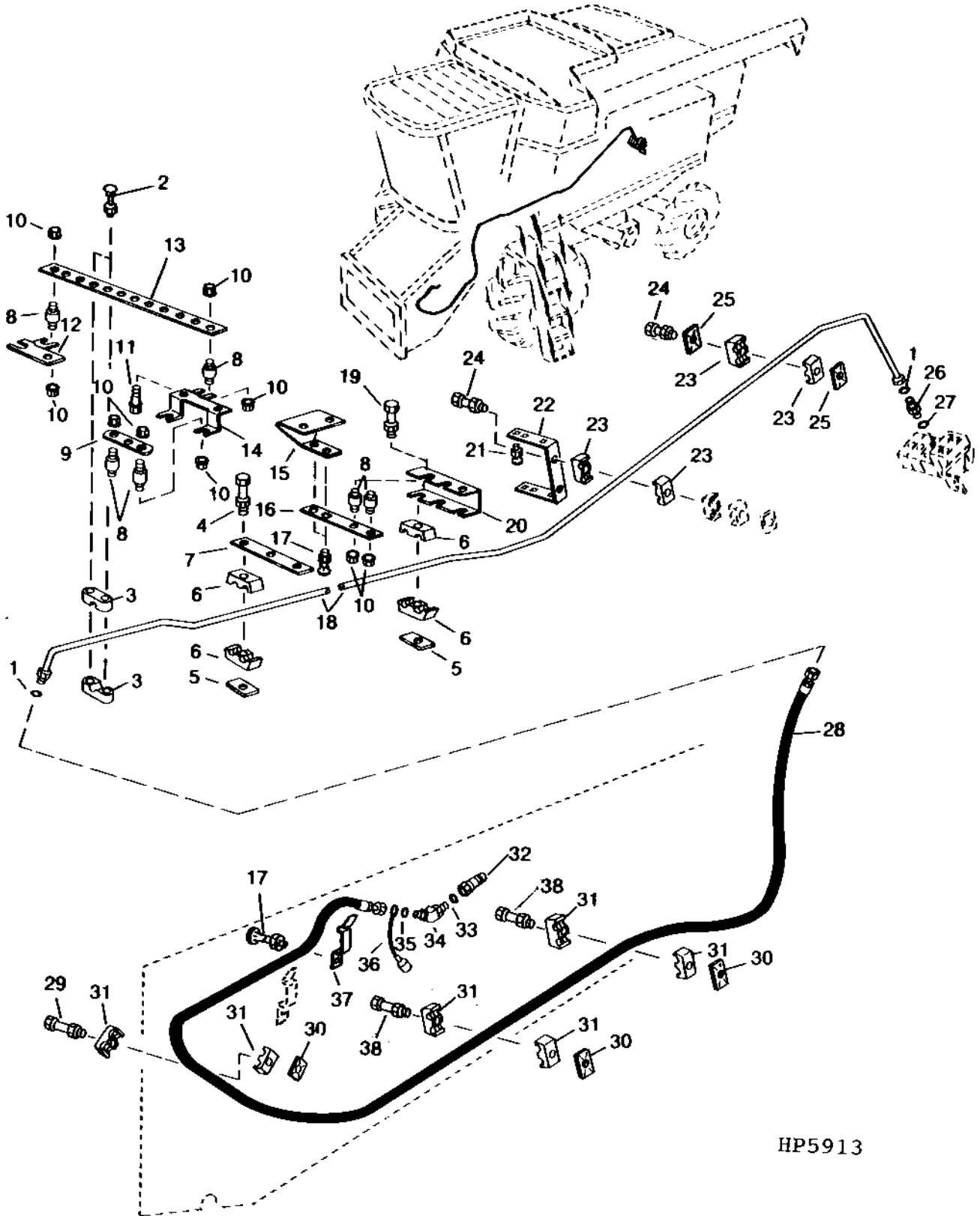
REEL PUMP HYDRAULIC LINES AND HOSES - CONTINUED

| KEY | PART NO. | PART NAME | QTY | SERIAL NO. | REMARKS |
|-----|----------|----------------|-----|------------|--|
| 1 | 38H1052 | ELBOW FITTING | 1 | | |
| 2 | R29936 | O-RING | 2 | | 29.743 X 2.946 MM (1.171" X 0.116") |
| 3 | T77858 | O-RING | 2 | | 18.771 X 1.778 MM (0.739" X 0.070") |
| 4 | AH128584 | HYDRAULIC HOSE | 1 | | 1-3/16" X 390 MM (15-1/4") X 1-3/16" (REEL PUMP SUCTION) |
| 5 | R26906 | O-RING | 2 | | 19.177 X 2.464 MM (0.755" X 0.097") |
| 6 | 38H1174 | ADAPTER | 2 | | |
| 7 | T77857 | O-RING | 2 | | 12.421 X 1.778 MM (0.489" X 0.070") |
| 8 | AH131876 | HYDRAULIC HOSE | 1 | | 13/16" X 840 MM (33") X 13/16" (REEL PUMP PRESSURE) |
| 9 | AH126389 | BRACKET | 1 | | |
| 10 | H114432 | CLAMP | 2 | | |
| 11 | T72393 | CLAMP | 1 | | |
| 12 | 14M7298 | FLANGE NUT | 1 | | M8 |
| 13 | 03M7280 | BOLT | 2 | | M6 X 45 (RD. HEAD) |
| | 14M7303 | FLANGE NUT | 2 | | M6 |
| 14 | H114897 | CLAMP | 2 | | |
| 15 | H112567 | PLATE | 4 | | |
| 16 | 19M7801 | SCREW | 1 | | M8 X 60 |
| | 14M7298 | FLANGE NUT | 1 | | M8 |
| 17 | H114897 | CLAMP | 2 | | |
| 18 | H131115 | BRACKET | 1 | | |
| 19 | 03M7184 | BOLT | 4 | | M8 X 20 (RD. HEAD) |
| | 14M7396 | LOCK NUT | 4 | | M8 |
| 20 | 19M8319 | SCREW | 1 | | M8 X 50 |
| | 14M7298 | FLANGE NUT | 1 | | M8 |
| 21 | H120362 | CLAMP | 2 | | |
| 22 | AH128859 | OIL LINE | 1 | | (REEL PUMP SUCTION) |
| 23 | 19M8317 | SCREW | 1 | | M8 X 40 |
| 24 | 38H1437 | TEE FITTING | 1 | | |
| 25 | T76938 | O-RING | 1 | | 23.520 X 1.778 MM (0.926" X 0.070") |

5C19

HYDRAULICS

REEL LIFT LINES AND HOSES
HP5913 -UN-14FEB95



HP5913

5C20

HYDRAULICS

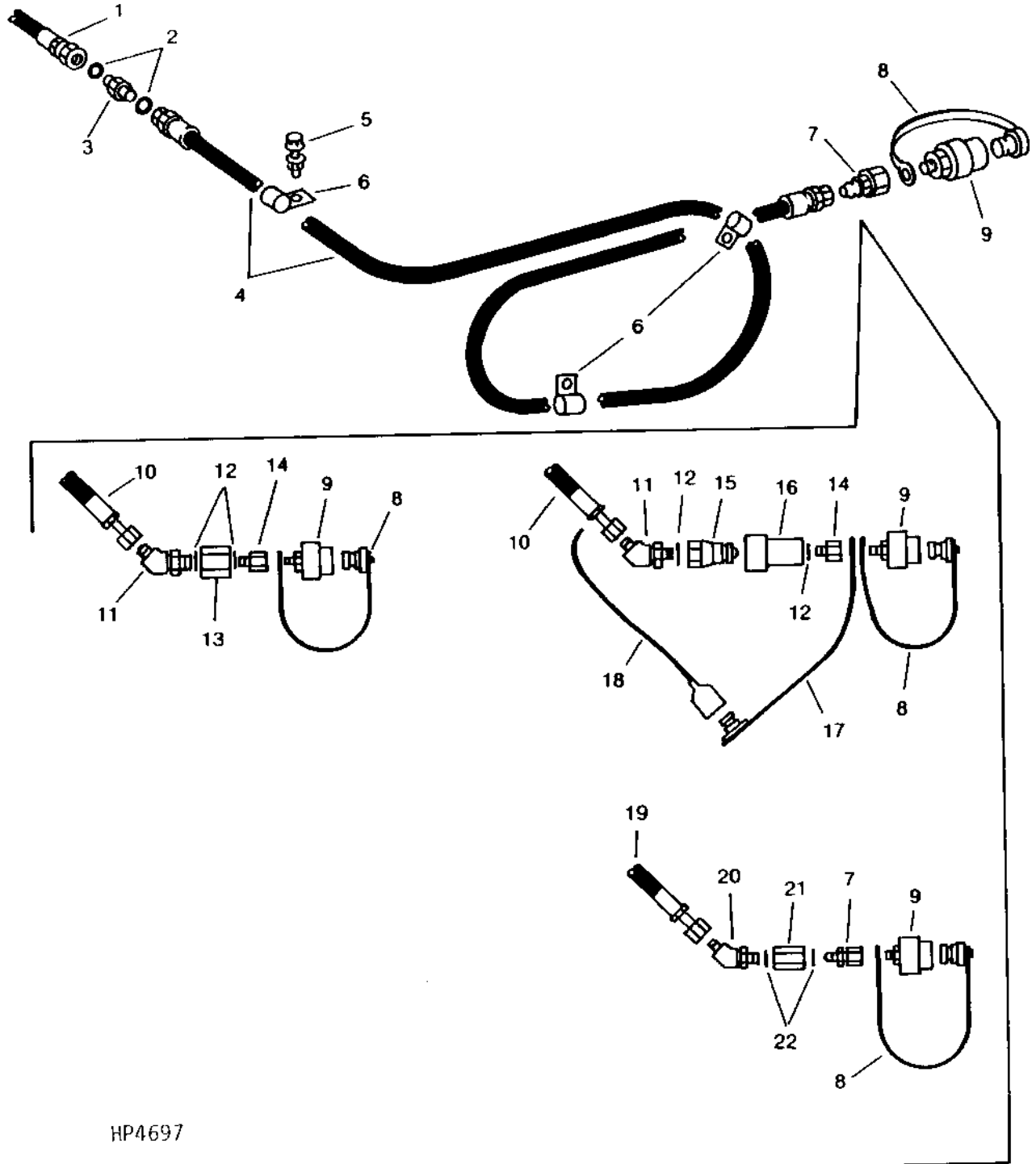
REEL LIFT LINES AND HOSES - CONTINUED

| KEY | PART NO. | PART NAME | QTY | SERIAL NO. | REMARKS |
|-----|----------------|------------------------------------|----------|---------------|-------------------------------------|
| 1 | T77613 | O-RING | 2 | | 9.246 X 1.778 MM (0.364" X 0.070") |
| 2 | 37M7096 | SCREW | 2 | -632019 | M8 X 35 |
| | 03M7188 | BOLT | 2 | 632020- | M8 X 40 |
| | 14M7298 | FLANGE NUT | 2 | 632020- | M8 |
| 3 | H116717 | CLAMP | 2 | | |
| 4 | 19M7801 | SCREW | 1 | -660300 | M8 X 60 |
| | 19M7803 | SCREW | 1 | 660301- | M8 X 70 |
| | 14M7298 | FLANGE NUT | 1 | | M8 |
| 5 | H121163 | COVER | 3 | | W/ REEL FORE/AFT OPTION |
| | H121163 | COVER | 1 | | W/O REEL FORE/AFT OPTION |
| 6 | H128515 | CLAMP | 8 | | W/ REEL FORE/AFT OPTION |
| | H127589 | CLAMP | 4 | | W/O REEL FORE/AFT OPTION |
| 7 | H131163 | STRAP | 1 | | |
| 8 | AH126657 | ISOLATOR | 6 | | |
| 9 | H134425 | STRAP | 1 | | |
| 10 | N10217 | LOCK NUT | 12 | | 6.350 MM |
| 11 | 37M7092 | SCREW | 4 | | M8 X 16 |
| 12 | H134427 | BRACKET | 1 | | |
| 13 | H134426 | STRAP | 1 | -632019 | ROUND HOLES |
| | H140298 | STRAP | 1 | 632020- | SQUARE HOLES |
| 14 | H134424 | BRACKET | 1 | | |
| 15 | H138411 | BRACKET | 1 | | |
| 16 | H134434 | SUPPORT | 1 | | |
| 17 | 03M7184 | BOLT | 3 | | M8 X 20 |
| | 14M7298 | FLANGE NUT | 3 | | M8 |
| 18 | AH135688 | HYDRAULIC LINE | 1 | | (SUB FOR AH130895) |
| 19 | 19M8291 | SCREW | 1 | -632019 | M8 X 35 |
| | 14M7298 | FLANGE NUT | 1 | | M8 |
| | 03M7188 | BOLT | 1 | 632020-660300 | M8 X 40 |
| | 03M7216 | BOLT | 1 | 660301- | |
| 20 | H134428 | BRACKET | 1 | | |
| 21 | 19M7866 | SCREW | 4 | | M8 X 20 |
| | 14M7396 | LOCK NUT | 4 | | M8 |
| 22 | H131115 | BRACKET | 1 | | |
| 23 | H109046 | CLAMP | 4 | | |
| 24 | 19M8319 | SCREW | 2 | -660300 | M8 X 50, W/O REEL FORE/AFT OPTION |
| | 19M7979 | SCREW | 2 | 660301- | M8 X 55, W/O REEL FORE/AFT OPTION |
| | 14M7298 | FLANGE NUT | 2 | | M8 |
| 25 | H121168 | PLATE | 3 | | |
| 26 | AH129233 | FITTING | 1 | -640300 | |
| | 38H1160 | ADAPTER | 1 | 640301- | |
| 27 | R26448 | O-RING | 1 | | 11.887 X 1.981 MM (0.468" X 5/64") |
| 28 | AH130557 | HYDRAULIC HOSE | 1 | | 11/16" X 3 148 MM (124") X 13/16" |
| 29 | 03M7189 | BOLT | 3 | -660300 | M8 X 45 |
| | 19M8319 | SCREW | 1 | 660301- | M8 X 50 |
| | 14M7298 | FLANGE NUT | 1 | | M8 |
| | 12M7032 | LOCK WASHER | 1 | 660301- | 8.400 MM (0.331") |
| 30 | H121168 | PLATE | 3 | | |
| 31 | H120847 | CLAMP | 6 | | |
| 32 | AR94522 | INTERNAL HALF COUPLER | 1 | | |
| 33 | R26375 | O-RING | 1 | | 16.358 X 2.210 MM (0.644" X 0.087") |
| 34 | 38H1046 | ELBOW FITTING | 1 | | |
| 35 | T77857 | O-RING | 1 | | 12.421 X 1.778 MM (0.489" X 0.070") |
| 36 | A15898 | CAP | 1 | | |
| 37 | H136336 | HOSE CLAMP | 1 | | |
| 38 | 19M7319 | SCREW | 2 | 660301-661261 | M6 X 60 |
| | 19M7979 | SCREW | 2 | 661261- | M8 X 55 |
| | 14M7298 | FLANGE NUT | 2 | | M8 |
| | 12M7032 | LOCK WASHER | 2 | 660301- | 8.400 MM |
| .. | BH81384 | COMPLETE GOODS/SHIP. BUNDLE | 1 | | REEL FORE AND AFT CONVERSION |

5C21

HYDRAULICS

FEEDER HOUSE PLUMBING
EXPORT ONLY - FRANCE
HP4697 -UN-01JAN94



FEEDER HOUSE PLUMBING - CONTINUED
EXPORT ONLY - FRANCE

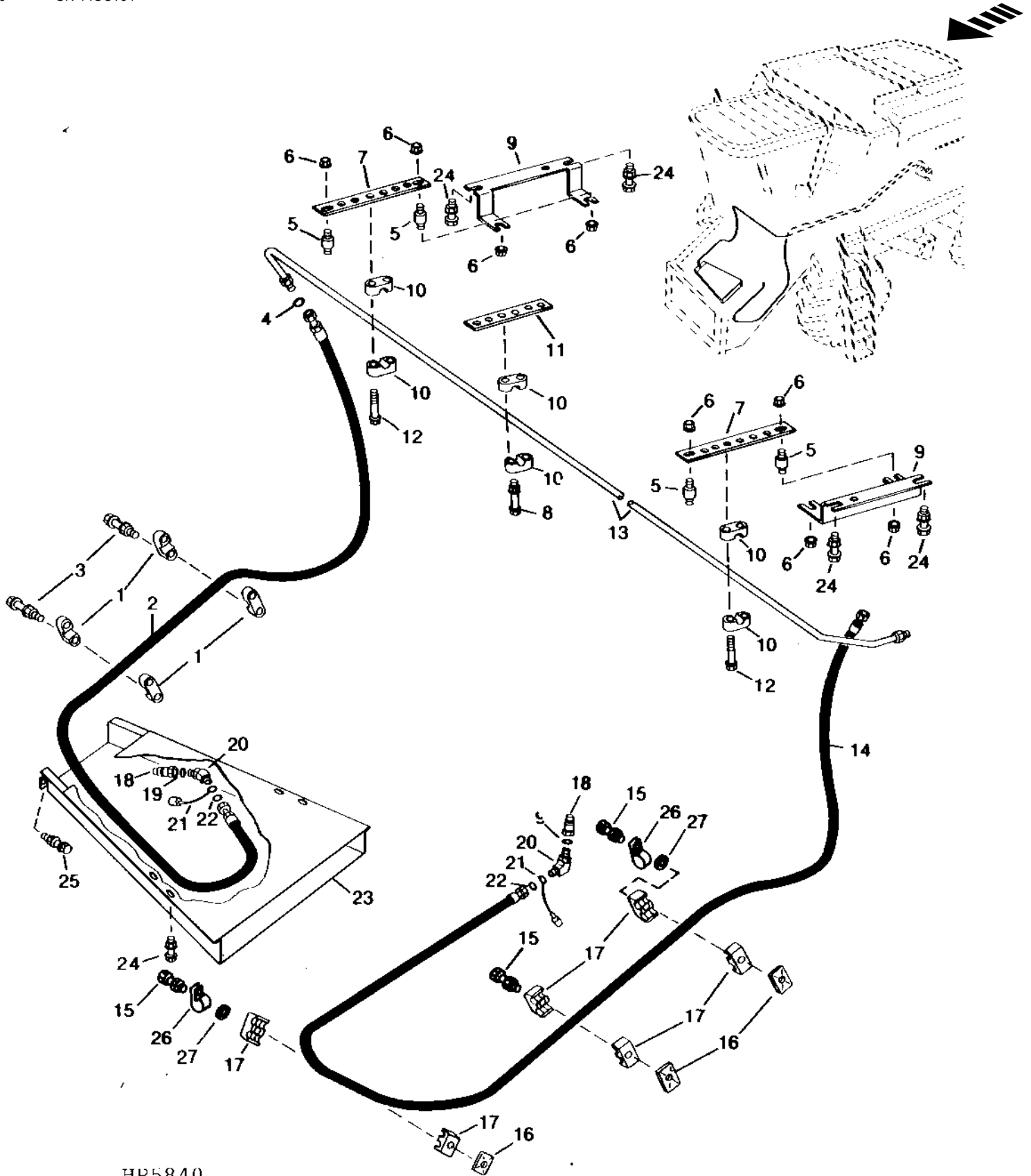
| KEY | PART NO. | PART NAME | QTY | SERIAL NO. | REMARKS |
|-----|----------|----------------------------|-----|------------|---|
| 1 | AH130556 | HYDRAULIC HOSE | 1 | | 9/16" X 2 794 MM (110") X 11/16", (EXTEND) (STACK VALVE) |
| 2 | T77613 | O-RING | 2 | | 9.246 X 1.778 MM (0.364" X 0.070") |
| 3 | 38H1278 | UNION FITTING | 1 | | |
| 4 | AH132188 | HYDRAULIC HOSE | 1 | | 9/16" X 2 640 MM (104") X 11/16" |
| 5 | 19M7866 | SCREW | 3 | | M8 X 20 |
| | 14M7298 | FLANGE NUT | 3 | | M8 |
| 6 | AH78237 | CLAMP | 3 | | |
| 7 | H122647 | FITTING | 2 | | |
| 8 | AZ19456 | PLUG | AR | | |
| 9 | AZ19455 | EXTERNAL HALF COUPLER | AR | | |
| 10 | AH130557 | HYDRAULIC HOSE | 1 | | 11/16" X 3 148 MM (124") X 13/16" |
| 11 | 38H1046 | ELBOW FITTING | AR | | |
| 12 | R26375 | O-RING | AR | | 16.358 X 2.210 MM (0.644" X 0.087") |
| 13 | R30815 | FITTING | 1 | | |
| 14 | H137572 | FITTING | AR | | |
| 15 | AR94522 | INTERNAL HALF COUPLER | 1 | | |
| 16 | AH75167 | HYD. QUICK-CONNECT COUPLER | 1 | | (INCLUDES INTERNAL O-RING) |
| 17 | H125403 | PLUG | 1 | | |
| 18 | A15898 | CAP | 1 | | |
| 19 | AH130555 | HYDRAULIC HOSE | 1 | | 9/16" X 3 148 MM (124") X 11/16", (RETRACT) |
| 20 | 38H1045 | ELBOW FITTING | 1 | | |
| 21 | N188381 | FITTING | 1 | | |
| 22 | R26448 | O-RING | 2 | | 11.887 X 1.981 MM (0.468" X 5/64") |

5C23

HYDRAULICS

REEL FORE-AND-AFT HYDRAULIC LINES AND HOSES, FRONT (OPTIONAL)

HP5840 -UN-14OCT94



HP5840

**REEL FORE AND AFT HYDRAULIC LINES AND HOSES, FRONT - CONTINUED
(OPTIONAL)**

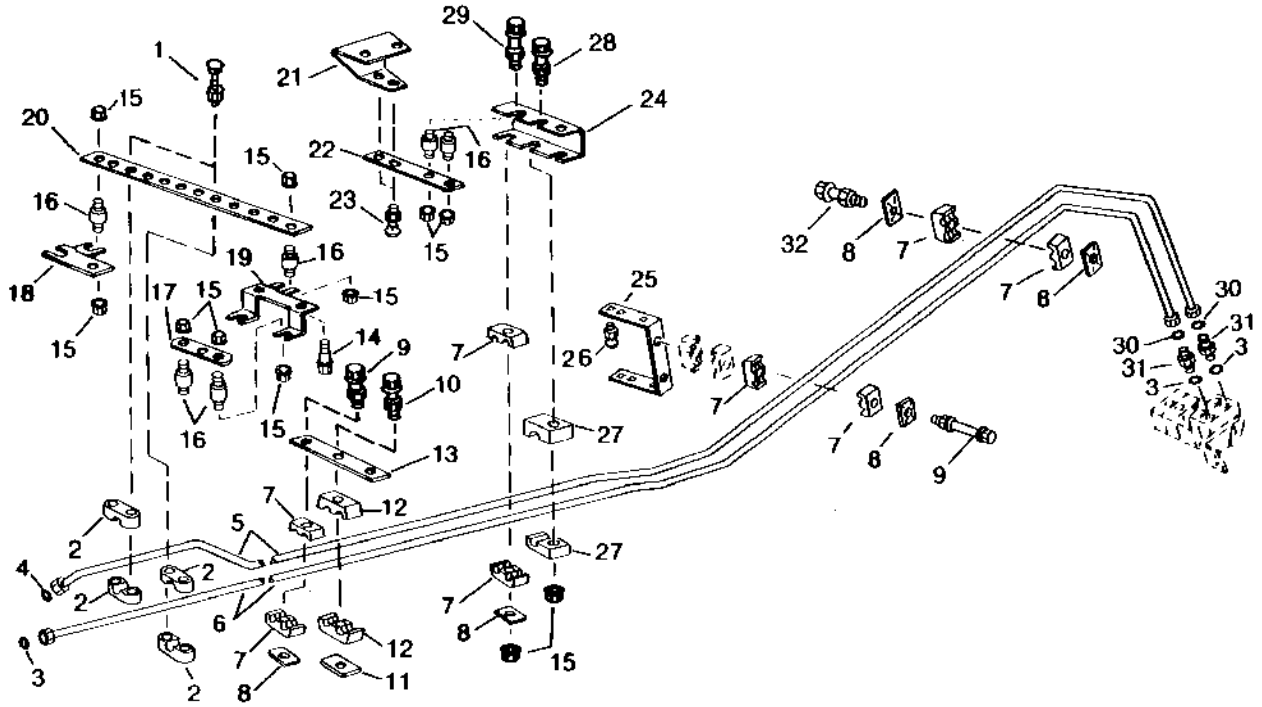
| KEY | PART NO. | PART NAME | QTY | SERIAL NO. | REMARKS |
|-----|----------|----------------------------|-----|------------|---|
| 1 | H115533 | CLAMP | 4 | | |
| 2 | AH130556 | HYDRAULIC HOSE | 1 | | 9/16" X 2 794 MM (110") X 11/16" (EXTEND) |
| 3 | 03M7216 | BOLT | 4 | | M8 X 50 |
| | 14M7298 | FLANGE NUT | 4 | | M8 |
| 4 | T77814 | O-RING | 1 | | 7.645 X 1.778 MM (0.301" X 0.070") |
| 5 | AH126657 | ISOLATOR | 4 | | |
| 6 | N10217 | LOCK NUT | 8 | | 6.350 MM (1/4") |
| 7 | H134429 | STRAP | 2 | | |
| 8 | 19M8317 | SCREW | 2 | | M8 X 40 |
| | 14M7298 | FLANGE NUT | 2 | | M8 |
| 9 | H135618 | BRACKET | 2 | | |
| 10 | H116717 | CLAMP | 6 | | |
| 11 | H134558 | STRAP | 1 | | |
| 12 | 37M7096 | SCREW | 4 | | M8 X 35 |
| 13 | AH135683 | HYDRAULIC LINE | 1 | | (SUB FOR AH131313) |
| 14 | AH130555 | HYDRAULIC HOSE | 1 | | 9/16" X 3 148 MM (124") X 11/16" (RETRACT) |
| | AH132188 | HYDRAULIC HOSE | 1 | | 9/16" X 2 640 MM (104") X 11/16", EXPORT ONLY - FRANCE |
| 15 | 19M8319 | SCREW | 3 | | M8 X 50 |
| | 14M7298 | FLANGE NUT | 3 | | M8 |
| 16 | H121168 | PLATE | 3 | | |
| 17 | H120847 | CLAMP | 6 | | |
| 18 | AH116632 | HYD. QUICK-CONNECT COUPLER | 2 | | |
| 19 | R26448 | O-RING | 2 | | 11.887 X 1.981 MM (0.468" X 5/64") |
| 20 | 38H1045 | ELBOW FITTING | 2 | | |
| 21 | AH124832 | CAP | 2 | | |
| 22 | T77613 | O-RING | 2 | | 9.246 X 1.778 MM (0.364" X 0.070") |
| 23 | AH131303 | PAN | 1 | | |
| 24 | 19M7865 | SCREW | 6 | | M8 X 16 |
| | 14M7298 | FLANGE NUT | 6 | | M8 |
| 25 | 19M7784 | SCREW | 2 | | M10 X 20 |
| | 14M7296 | FLANGE NUT | 2 | | M10 |
| 26 | AH96317 | CLIP | 3 | | (SUB FOR AH89486) |
| 27 | 12M7032 | LOCK WASHER | 3 | | 8.400 MM (0.331") |

5D1

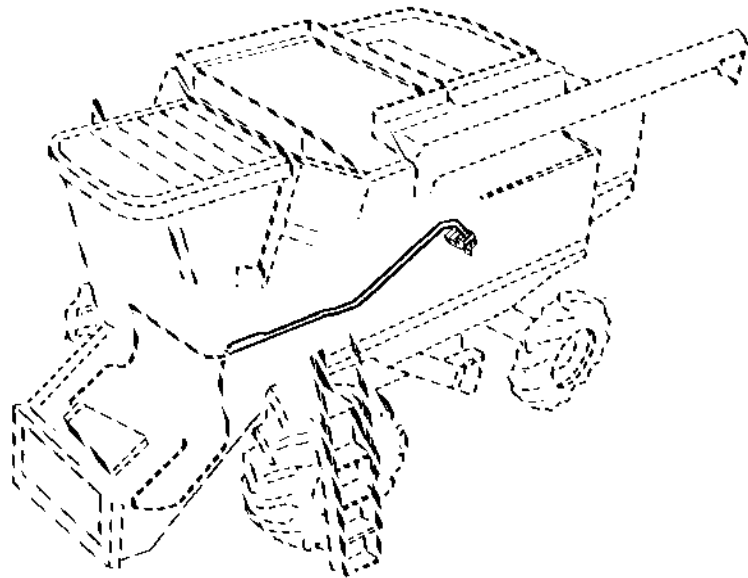
HYDRAULICS

REEL FORE-AND-AFT HYDRAULIC LINES, L.H. SIDE (OPTIONAL)

HP5841 -UN-14OCT94



HP5841



5D2

HYDRAULICS

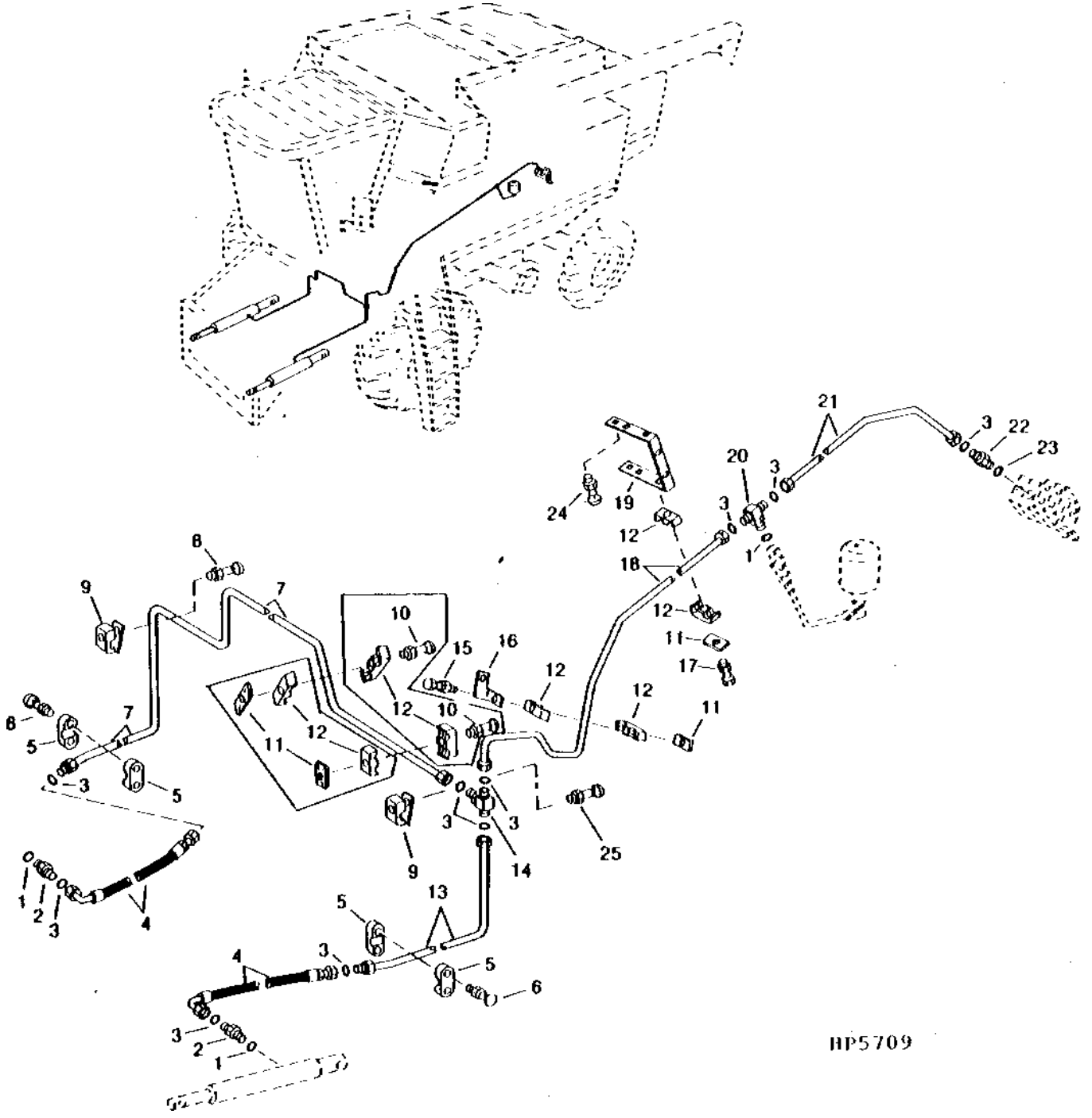
REEL FORE-AND-AFT HYDRAULIC LINES, L.H. SIDE - CONTINUED
(OPTIONAL)

| KEY | PART NO. | PART NAME | QTY | SERIAL NO. | REMARKS |
|-----|----------|----------------|-----|------------|-------------------------------------|
| 1 | 37M7096 | SCREW | 4 | -632019 | M8 X 35 |
| | 03M7188 | BOLT | 4 | 632020- | M8 X 40 |
| | 14M7298 | FLANGE NUT | 4 | 632020- | M8 |
| 2 | H116717 | CLAMP | 4 | | |
| 3 | R26375 | O-RING | 2 | | 16.358 X 2.210 MM (0.644" X 0.087") |
| 4 | T77814 | O-RING | 1 | | 7.645 X 1.778 MM (0.301" X 0.070") |
| 5 | AH135689 | HYDRAULIC LINE | 1 | | (SUB FOR AH130896) |
| 6 | AH131311 | HYDRAULIC LINE | 1 | | (EXTEND) |
| 7 | H128515 | CLAMP | 8 | | |
| 8 | H121163 | COVER | 5 | | |
| 9 | 19M7803 | SCREW | 2 | | M8 X 70 |
| | 14M7298 | FLANGE NUT | 2 | | M8 |
| 10 | 19M8318 | SCREW | 1 | -632019 | M8 X 45 |
| | 03M7189 | BOLT | 1 | 632020- | M8 X 45 |
| | 14M7298 | FLANGE NUT | 1 | | M8 |
| 11 | H121168 | PLATE | 1 | -632019 | |
| 12 | H109046 | CLAMP | 2 | -632019 | |
| 13 | H131163 | STRAP | 1 | -632019 | |
| 14 | 03M7184 | BOLT | 2 | | M8 X 20 |
| | 14M7298 | FLANGE NUT | 2 | | M8 |
| 15 | N10217 | LOCK NUT | 12 | | 6.350 MM (1/4") |
| 16 | AH126657 | ISOLATOR | 6 | | |
| 17 | H134425 | STRAP | 1 | | |
| 18 | H134427 | BRACKET | 1 | | |
| 19 | H134424 | BRACKET | 1 | | |
| 20 | H134426 | STRAP | 1 | -632019 | ROUND HOLES |
| | H140298 | STRAP | 1 | 632020- | SQUARE HOLES |
| 21 | H138411 | BRACKET | 1 | | |
| 22 | H134434 | SUPPORT | 1 | | |
| 23 | 03M7184 | BOLT | 2 | | M8 X 20 |
| | 14M7298 | FLANGE NUT | 2 | | M8 |
| 24 | H134428 | BRACKET | 1 | | |
| 25 | H131115 | BRACKET | 1 | | |
| 26 | 19M7866 | SCREW | 4 | | M8 X 20 |
| | 14M7396 | LOCK NUT | 4 | | M8 |
| 27 | H127589 | CLAMP | 2 | | |
| 28 | 03M7188 | BOLT | 1 | -660300 | M8 X 40 |
| | 03M7216 | BOLT | 1 | 660301- | M8 X 50 |
| | 14M7298 | FLANGE NUT | 1 | | M8 |
| 29 | 19M8291 | SCREW | 1 | | M8 X 35 |
| 30 | T77613 | O-RING | 3 | | 9.246 X 1.778 MM (0.364" X 0.070") |
| 31 | 38H1171 | ADAPTER | 2 | | |
| 32 | 19M7803 | SCREW | 1 | -640300 | M8 X 70 |
| | 19M7801 | SCREW | 1 | 640301- | M8 X 60 |
| | 14M7298 | FLANGE NUT | 1 | | M8 |

5D3

HEADER LIFT HYDRAULIC LINES AND HOSES

HP5709 -UN-01JAN94



HP5709

5D4

HYDRAULICS

HEADER LIFT HYDRAULIC LINES AND HOSES - CONTINUED

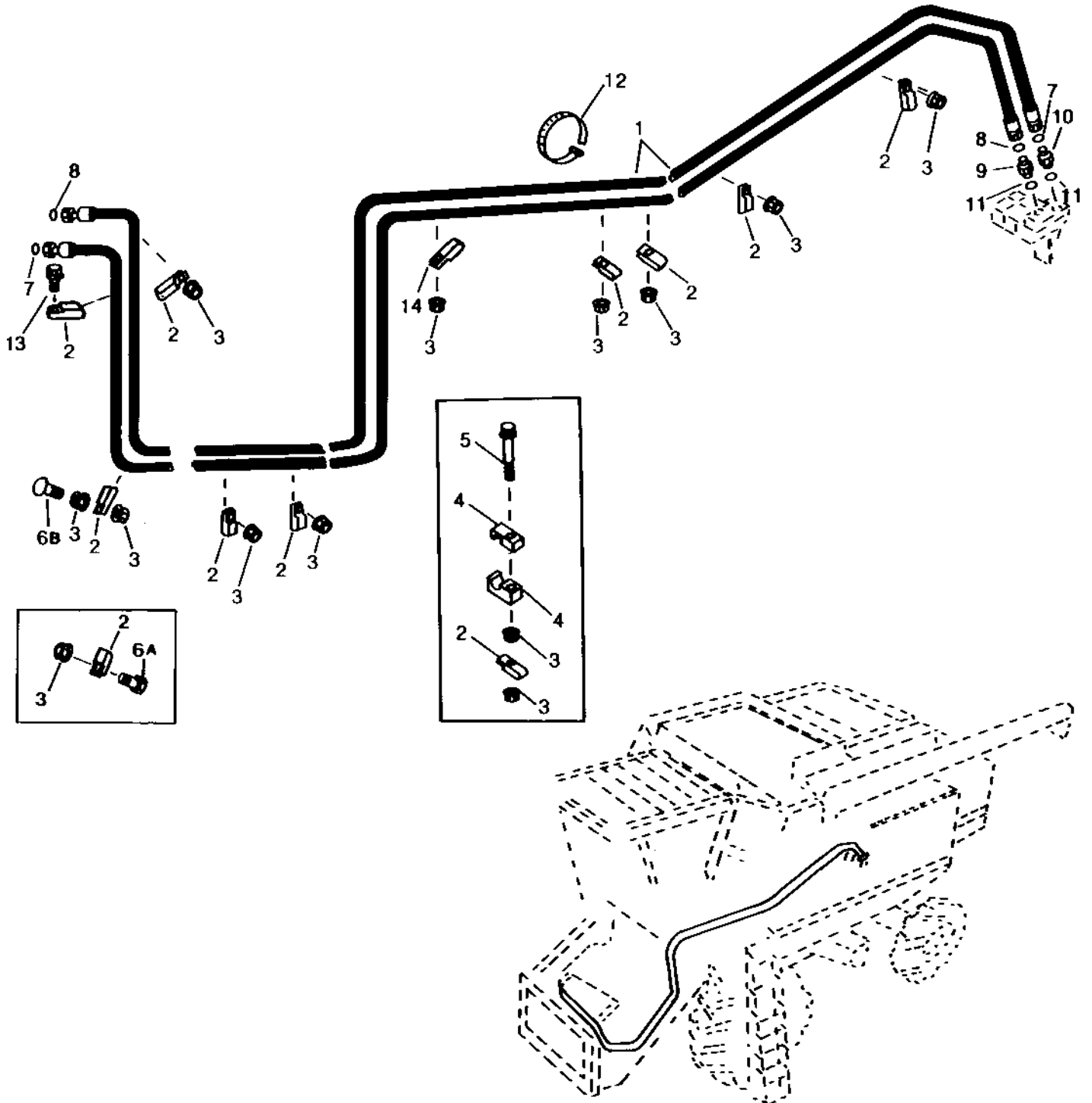
| KEY | PART NO. | PART NAME | QTY | SERIAL NO. | REMARKS |
|-----|----------|----------------|-----|------------|-------------------------------------|
| 1 | R26375 | O-RING | 3 | | 16.358 X 2.210 MM (0.644" X 0.087") |
| 2 | 38H1161 | ADAPTER | 2 | | |
| 3 | T77857 | O-RING | 10 | | 12.421 X 1.778 MM (0.489" X 0.070") |
| 4 | AH121605 | HYDRAULIC HOSE | 2 | | 13/16" X 515 MM (20-1/4") X 13/16" |
| 5 | H117937 | CLAMP | 4 | | |
| 6 | 03M7189 | BOLT | 4 | | M8 X 45 |
| | 14M7298 | FLANGE NUT | 4 | | M8 |
| 7 | AH131748 | HYDRAULIC LINE | 1 | | |
| 8 | 03M7280 | BOLT | 2 | | M6 X 45 |
| | 14M7303 | FLANGE NUT | 2 | | M6 |
| 9 | H116706 | CLAMP | AR | | |
| 10 | 03M7262 | BOLT | 2 | | M6 X 50 |
| | 14M7303 | FLANGE NUT | 2 | | M6 |
| 11 | H121168 | PLATE | 4 | | |
| 12 | H108291 | CLAMP | AR | | |
| | H135156 | CLAMP | 2 | 645733- | |
| 13 | AH130113 | HYDRAULIC LINE | 1 | | |
| 14 | 38H1206 | TEE FITTING | 1 | | |
| 15 | 19M8317 | SCREW | 1 | | M8 X 40 |
| | 14M7298 | FLANGE NUT | 1 | | M8 |
| 16 | H135974 | BRACKET | 1 | | |
| 17 | 19M8318 | SCREW | 1 | | M8 X 45 |
| | 14M7298 | FLANGE NUT | 1 | | M8 |
| 18 | AH131576 | HYDRAULIC LINE | 1 | | |
| 19 | H131115 | BRACKET | 1 | | |
| 20 | 38H1017 | TEE FITTING | 1 | | |
| 21 | AH128753 | HYDRAULIC LINE | 1 | | |
| 22 | 38H1173 | ADAPTER | 1 | | |
| 23 | R26448 | O-RING | 1 | | 11.887 X 1.981 MM (0.468" X 5/64") |
| 24 | 03M7184 | BOLT | 4 | | M8 X 20 |
| | 14M7396 | LOCK NUT | 4 | | M8 |
| 25 | 19M8321 | SCREW | 2 | 656509- | M6 X 45 |
| | 14M7303 | FLANGE NUT | 2 | 656509- | M6 |

5D5

HYDRAULICS

CONTOUR MASTER HYDRAULIC HOSES, L.H. SIDE (OPTIONAL)

(660301-)
HP5975 -UN-27APR95



HP5975

5D6

HYDRAULICS

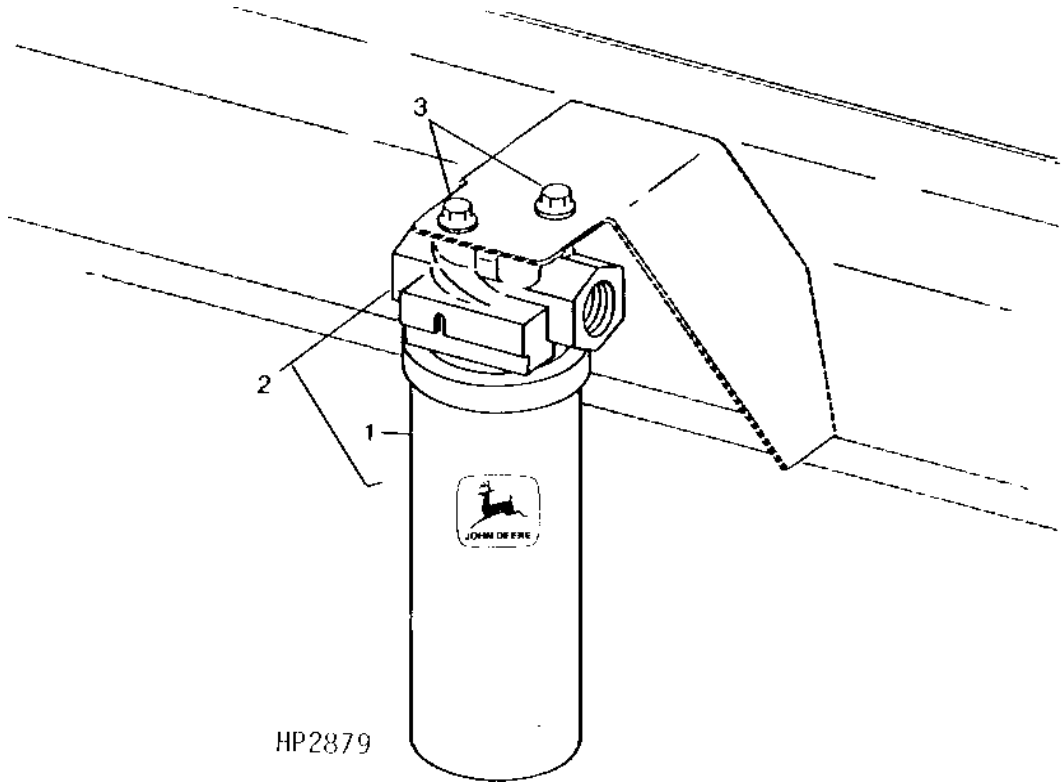
CONTOUR MASTER HYDRAULIC HOSES, L.H. SIDE (OPTIONAL) - CONTINUED
(660301-)

| KEY | PART NO. | PART NAME | QTY | SERIAL NO. | REMARKS |
|-----|----------|----------------|-----|------------|---|
| 1 | AH143682 | HYDRAULIC HOSE | 2 | | |
| 2 | AH97280 | CLIP | AR | | |
| 3 | 14M7298 | FLANGE NUT | AR | | M8 |
| 4 | H127589 | CLAMP | 2 | -660857 | |
| 5 | 19M8318 | SCREW | 1 | -660857 | M8 X 45 |
| 6A | 03M7184 | BOLT | 1 | -660857 | M8 X 20 |
| 6B | 03M7185 | BOLT | 1 | 660858- | M8 X 25 |
| 7 | T77613 | O-RING | 2 | | 9.246 X 1.778 MM (0.364" X 0.070") CONNECT HOSE TO PISTON END OF CYLINDER |
| 8 | T77814 | O-RING | 2 | | 7.645 X 1.778 MM (0.301" X 0.070") CONNECT HOSE TO ROD END OF CYLINDER |
| 9 | 38H1445 | ADAPTER | 1 | | TO BOTTOM PORT OF VALVE |
| 10 | 38H1171 | ADAPTER | 1 | | TO TOP PORT OF VALVE |
| 11 | R26375 | O-RING | 2 | | 16.358 X 2.210 MM (0.644" X 0.087") |
| 12 | R44302 | TIE BAND | 1 | 660858- | 171 MM (6-3/4") |
| 13 | 37M7084 | SCREW | 1 | 660858- | M8 X 25 |
| 14 | AH77869 | CLIP | 1 | | |

5D7

HYDRAULICS

MAIN HYDRAULIC FILTER ASSEMBLY
HP2879 -UN-01JAN94



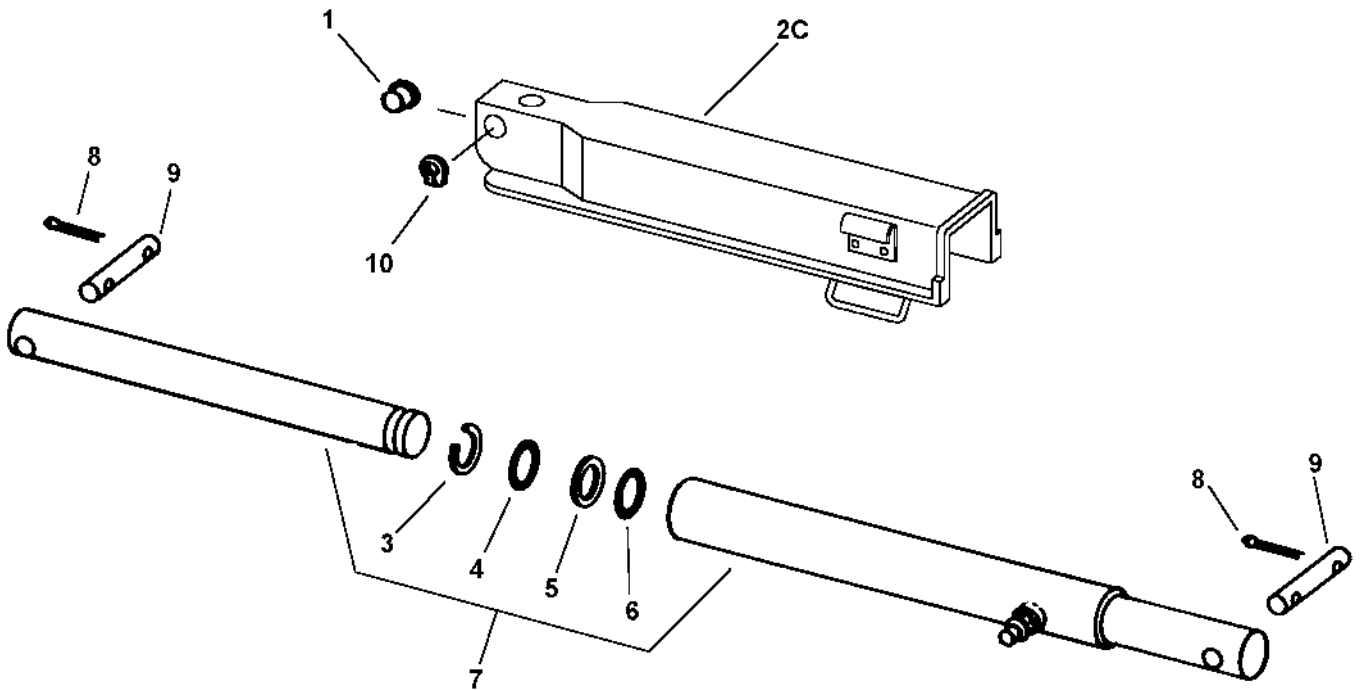
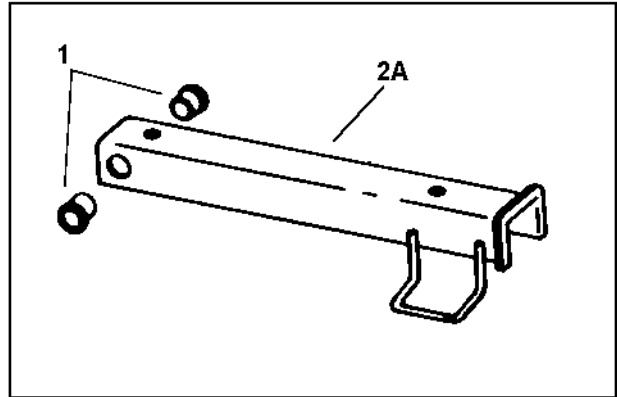
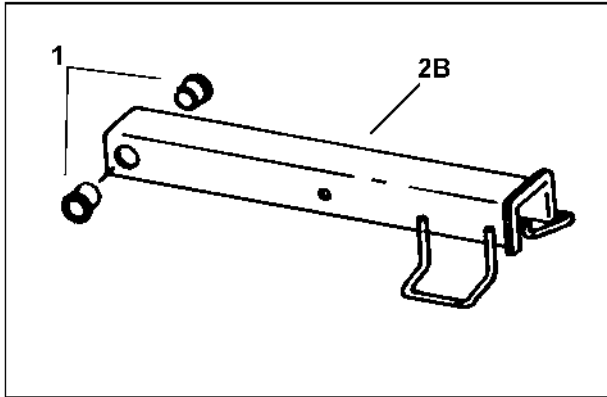
| KEY | PART NO. | PART NAME | QTY | SERIAL NO. | REMARKS |
|-----|----------|------------------|-----|------------|---------|
| 1 | AH128449 | HYDRAULIC FILTER | 1 | | |
| 2 | AH125733 | FILTER HEAD | 1 | | |
| 3 | 19M7784 | SCREW | 2 | M10 X 20 | |

MEMORANDA

5D8

HYDRAULICS

HEADER LIFT HYDRAULIC CYLINDER
HP7441 -UN-03MAR98



HP7441

5D9

HYDRAULICS

HEADER LIFT HYDRAULIC CYLINDER

| KEY | PART NO. | PART NAME | QTY | SERIAL NO. | REMARKS |
|-----|----------|------------------------|-----|------------|---|
| 1 | H135407 | BUSHING | 2 | -651369 | 31.750 X 39.500 X 12 MM (1-1/4" X 1.555" X 0.472") (SUB H150054) (L.H. CYLINDER ONLY) |
| | H150054 | BUSHING | 1 | | |
| 2A | AH143871 | STOP | 1 | | (SUB FOR AH128447 OR AH141152) (SAFETY) (L.H. CYLINDER ONLY) |
| 2B | AH144030 | STOP | 1 | -29SEP7 | |
| 2C | AH157492 | STOP | 1 | 5JAN98- | |
| 3 | | RING | 1 | | RETAINING |
| 4 | | SEAL | 1 | | |
| 5 | | WASHER | 1 | | BACKUP |
| 6 | | O-RING | 1 | | |
| 7 | AH129318 | CYLINDER | 1 | -635000 | (COMPLETE COMPONENT) (2-1/8" BORE) |
| | AH155264 | HYDRAULIC CYLINDER | 1 | 635001- | (SUB FOR AH139611 OR AH135493) (COMPLETE COMPONENT) (2-1/8" BORE) |
| | AH129319 | HYDRAULIC CYLINDER | 1 | -635000 | (COMPLETE COMPONENT) (2-3/8" BORE) (WITH 12 ROW CORN HEAD - PLANETARY FINAL DRIVE) |
| | AH155265 | HYDRAULIC CYLINDER | 1 | 635001- | (SUB FOR AH139612 OR AH135494) (COMPLETE COMPONENT) (2-3/8" BORE) (WITH 12 ROW CORN HEAD - PLANETARY FINAL DRIVE) |
| 8 | H95042 | COTTER PIN | 4 | -645710 | 5.639 X 44.450 MM (0.222" X 1-3/4") |
| | H147486 | COTTER PIN | 4 | 645711- | 7.048 X 50.800 MM (0.277" X 2") |
| 9 | H116894 | PIN | 2 | | 30.175 X 145 MM (1-3/16" X 5.709") |
| 10 | 40M7058 | SNAP RING | 2 | | (SUB FOR Z56747 OR H150454) |
| .. | AH129321 | SEAL KIT | 1 | -650300 | 2-1/8" BORE |
| .. | AH139755 | HYDRAULIC CYLINDER KIT | 1 | 650301- | 2-1/8" BORE |
| .. | AH129322 | HYDRAULIC CYLINDER KIT | 1 | -650300 | (WITH 12-ROW CORN HEAD - PLANETARY FINAL DRIVE) 2-3/8" BORE |
| .. | AH139756 | HYDRAULIC CYLINDER KIT | 1 | 650301- | (WITH 12 ROW CORN HEAD - PLANETARY FINAL DRIVE) 2-3/8" BORE |

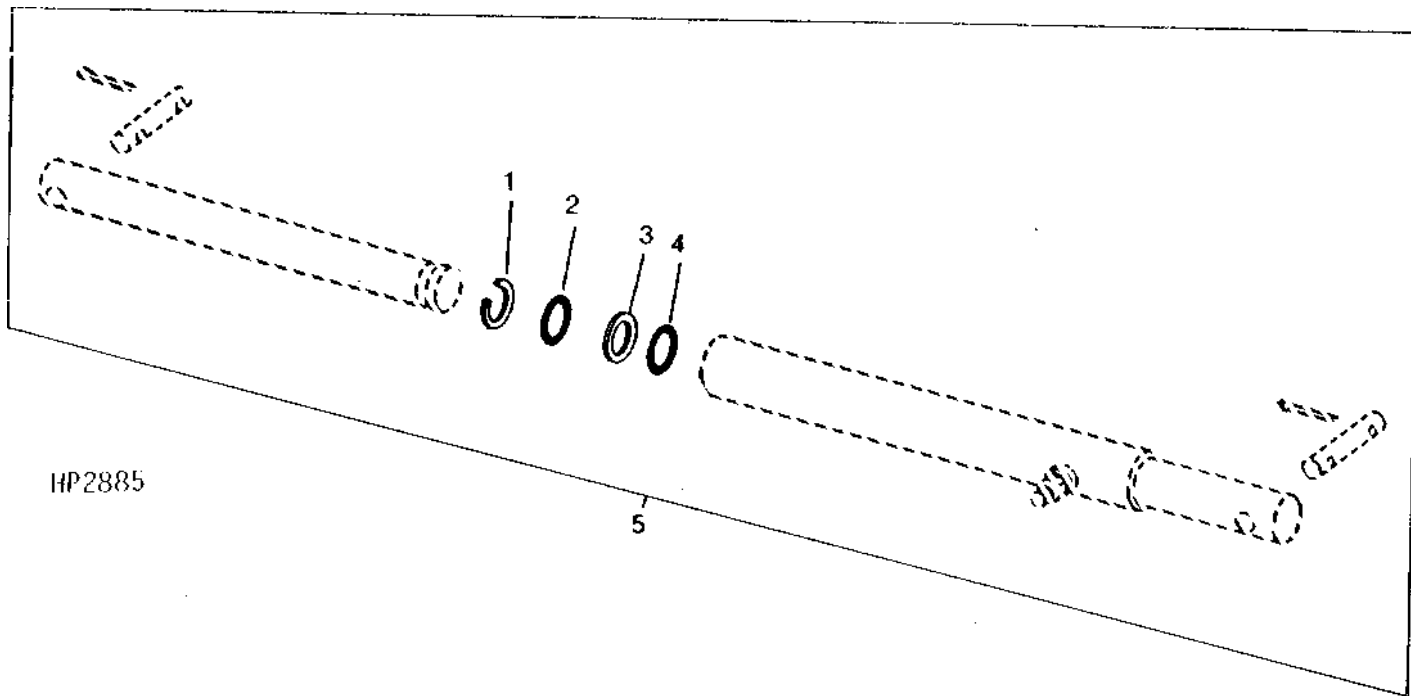
NOTE: QUANTITIES SHOWN ARE FOR ONE UNIT. TWO UNITS USED PER MACHINE.

5D10

HYDRAULICS

HEADER LIFT HYDRAULIC CYLINDER KIT

HP2885 -UN-01JAN94

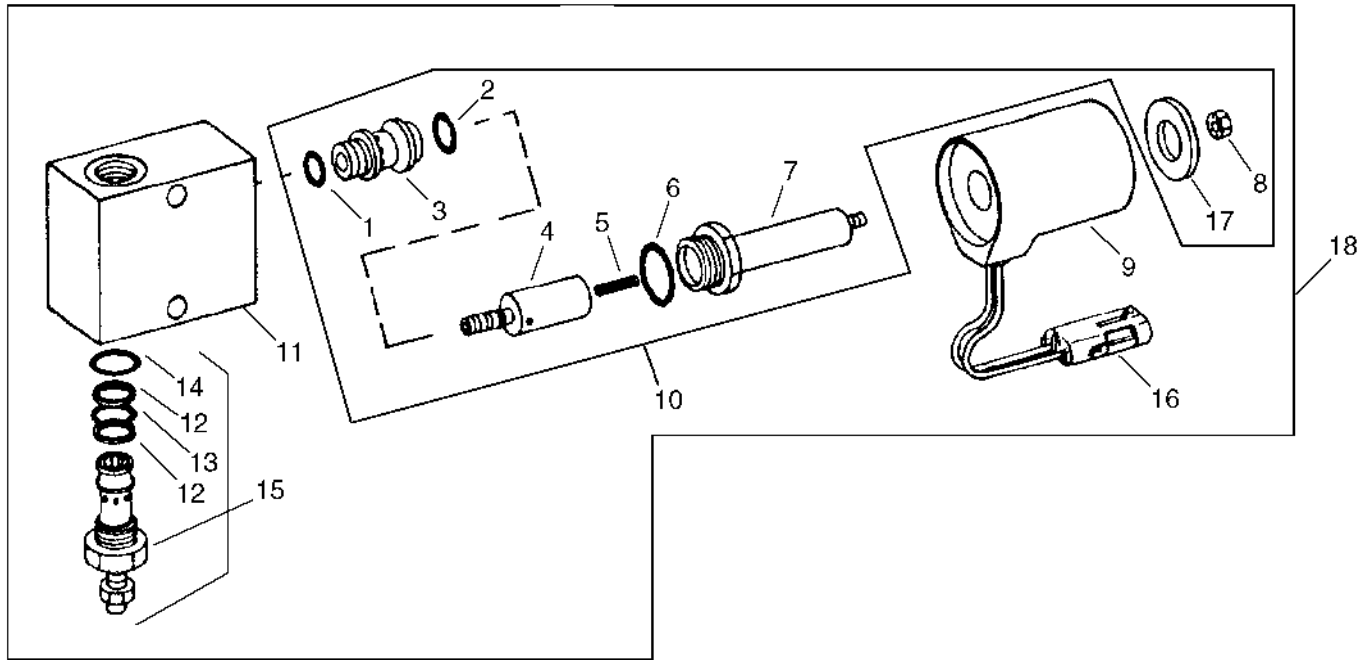


| KEY | PART NO. | PART NAME | QTY | SERIAL NO. | REMARKS |
|-----|----------|------------------------|-----|------------|---|
| 1 | | RING | 1 | | (RETAINING) |
| 2 | | SEAL | 1 | | |
| 3 | | WASHER | 1 | | |
| 4 | | O-RING | 1 | | |
| 5 | AH129321 | SEAL KIT | 1 | -650300 | (SEAL REPAIR) 2-1/8" BORE |
| | AH139755 | HYDRAULIC CYLINDER KIT | 1 | 650301- | (SEAL REPAIR) 2-1/8" BORE |
| | AH129322 | HYDRAULIC CYLINDER KIT | 1 | -650300 | (SEAL REPAIR) (WITH 12 ROW CORN HEAD - PLANETARY FINAL DRIVE) 2-3/8" BORE |
| | AH139756 | HYDRAULIC CYLINDER KIT | 1 | 650301- | (SEAL REPAIR) (WITH 12 ROW CORN HEAD - PLANETARY FINAL DRIVE) 2-3/8" BORE |

5D11

HYDRAULICS

DIAL-A-MATIC HEADER HEIGHT CONTROL VALVE
 HP8033 -UN-21APR99

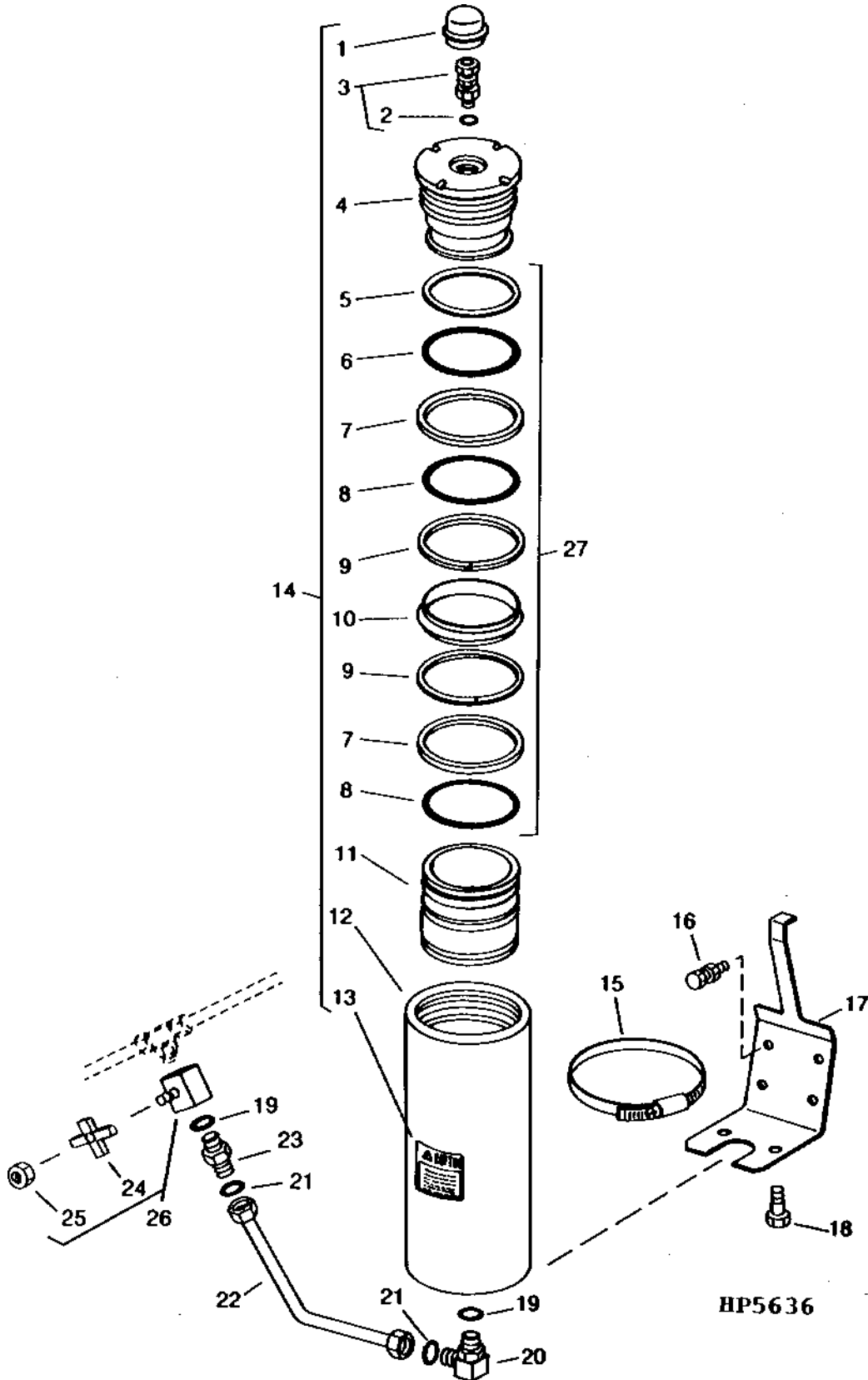


HP8033

| KEY | PART NO. | PART NAME | QTY | SERIAL NO. | REMARKS |
|-----|----------------|------------------------------------|----------|------------|-------------------------------------|
| 1 | R28776 | O-RING | 1 | | 12.421 X 1.778 MM (0.489" X 0.070") |
| 2 | T75984 | O-RING | 1 | | 20.345 X 1.778 MM (0.801" X 0.070") |
| 3 | | VALVE SPOOL | 1 | | |
| 4 | | PLUNGER | 1 | | |
| 5 | | SPRING | 1 | | |
| 6 | R27928 | O-RING | 1 | | 23.520 X 1.778 MM (0.926" X 0.070") |
| 7 | | GUIDE | 1 | | |
| 8 | 14H866 | NUT | 1 | 5/8" | |
| 9 | AH131572 | ELECTRICAL COIL | 1 | | |
| 10 | AH131571 | VALVE | 1 | | |
| 11 | H135964 | HOUSING | 1 | | |
| 12 | | BACK-UP RING | 2 | | |
| 13 | | O-RING | 1 | | |
| 14 | R26906 | O-RING | 1 | | 19.177 X 2.464 MM (0.755" X 0.097") |
| 15 | AH131570 | VALVE | 1 | | |
| 16 | R78053 | PIN CONTACT CONNECTOR BODY | 1 | | (PKG OF 3) |
| | R78059 | ELECTRICAL PLUG | 1 | | (PKG OF 40) |
| | R78061 | PIN CONTACT | 1 | | (PKG OF 40) |
| 17 | 24H1368 | WASHER | 1 | | 21/32" X 1-5/16" X 0.090" |
| 18 | AH125910 | SOLENOID VALVE | 1 | | |
| .. | BH78374 | COMPLETE GOODS/SHIP. BUNDLE | 1 | | HORIZONTAL HEIGHT CONTROL |

5D12

ONE HALF GALLON ACCUMULATOR AND MOUNTING HP5636 -UN-01JAN94



HP5636

5D13

HYDRAULICS

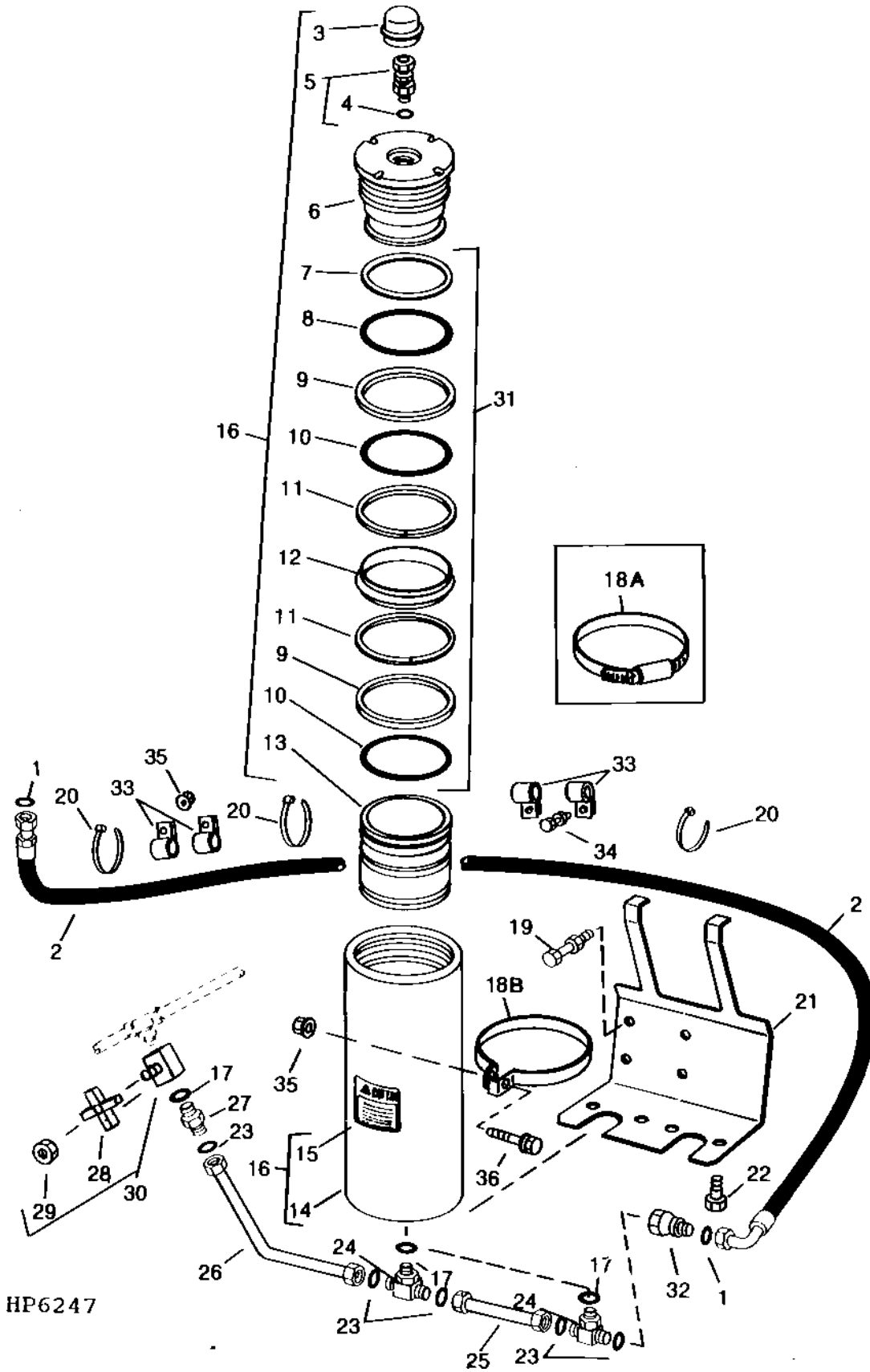
ONE HALF GALLON ACCUMULATOR AND MOUNTING - CONTINUED

| KEY | PART NO. | PART NAME | QTY | SERIAL NO. | REMARKS |
|-----|----------|---------------|-----|------------|-------------------------------------|
| 1 | J2375M | CAP | 1 | | |
| 2 | H135641 | RING | 1 | | 7.650 X 1.630 MM (0.301" X 0.064") |
| 3 | AH131250 | BLEED VALVE | 1 | | |
| 4 | | CAP | 1 | | |
| 5 | | BACK-UP RING | 1 | | |
| 6 | | O-RING | 1 | | |
| 7 | | SEAL | 2 | | |
| 8 | | O-RING | 2 | | |
| 9 | | BACK-UP RING | 2 | | |
| 10 | | SEAL | 1 | | |
| 11 | | PISTON | 1 | | |
| 12 | | BARREL | 1 | | |
| 13 | H149092 | LABEL | 1 | | (SUB FOR H138423) "CAUTION" |
| 14 | AH133265 | ACCUMULATOR | 1 | | |
| 15 | TY22475 | CLAMP | 1 | | (SUB FOR C16054) |
| 16 | 19M7866 | SCREW | 4 | | M8 X 20 |
| | 14M7298 | FLANGE NUT | 4 | | M8 |
| 17 | H137593 | BRACKET | 1 | | |
| 18 | 19M7864 | SCREW | 2 | | M8 X 12 |
| 19 | R26375 | O-RING | 2 | | 16.358 X 2.210 MM (0.644" X 0.087") |
| 20 | 38H1005 | ELBOW FITTING | 1 | | |
| 21 | T77857 | O-RING | 2 | | 12.421 X 1.778 MM (0.489" X 0.070") |
| 22 | AH132203 | OIL LINE | 1 | | |
| 23 | 38H1161 | ADAPTER | 1 | | |
| 24 | N232713 | HANDLE | 1 | | |
| 25 | K40001 | LOCK NUT | 1 | | 6.350 MM (1/4") |
| 26 | AH131535 | VALVE | 1 | | |
| 27 | AH133285 | SEAL | 1 | | |

5D14

HYDRAULICS

ONE-HALF GALLON DUAL ACCUMULATOR, HOSE, LINE AND MOUNTING
HP6247 -UN-04JAN96



HP6247

5D15

HYDRAULICS

ONE-HALF GALLON DUAL ACCUMULATOR, HOSE, LINE AND MOUNTING - CONTINUED

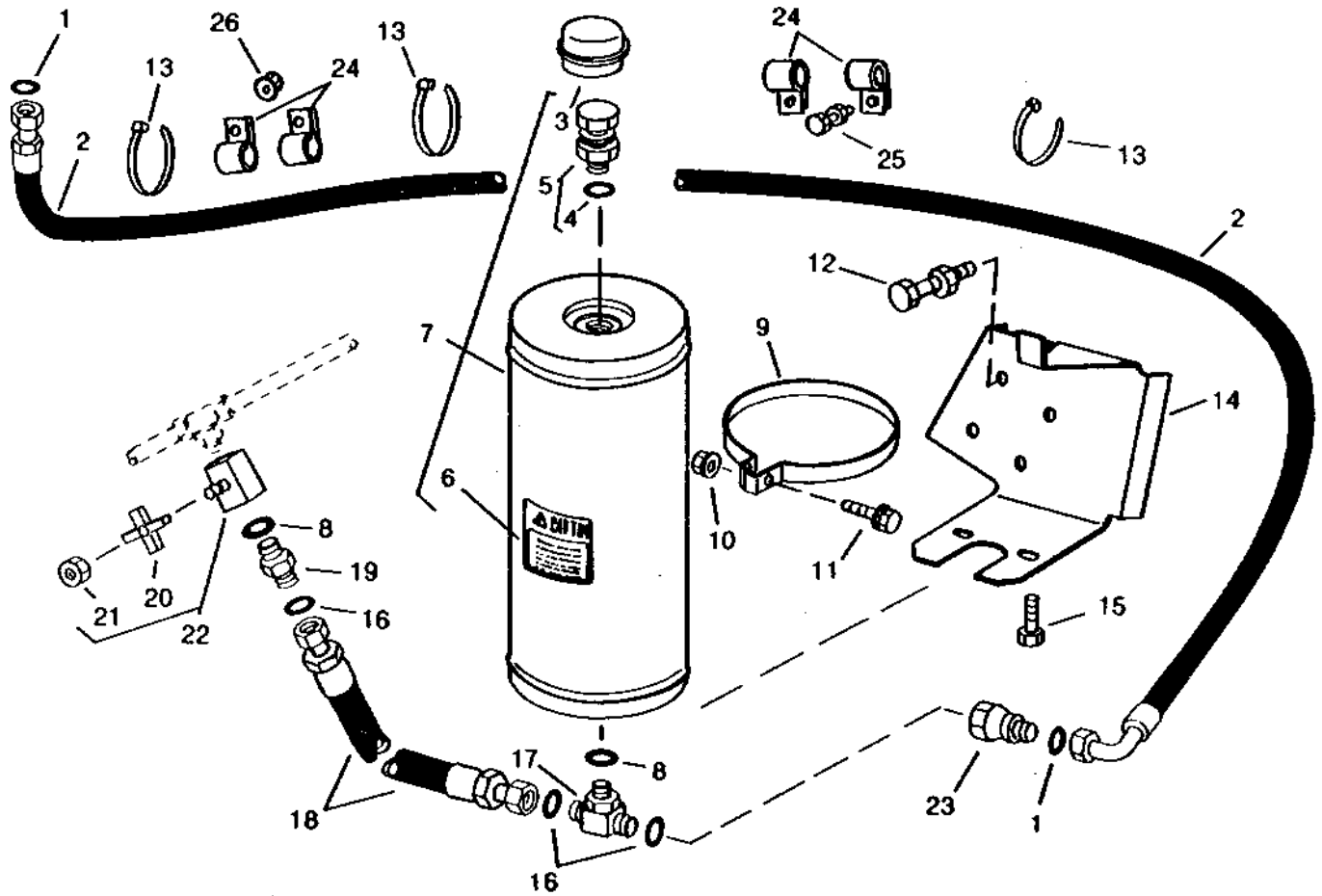
| KEY | PART NO. | PART NAME | QTY | SERIAL NO. | REMARKS |
|-----|----------------|------------------------------------|----------|------------|---|
| 1 | T77613 | O-RING | 2 | | 9.246 X 1.778 MM (0.364" X 0.070") |
| 2 | AH133151 | HYDRAULIC HOSE | 1 | | 11/16" X 3 940 MM (155") X 11/16", TO GAUGE IN CAB |
| 3 | J2375M | CAP | 2 | | |
| 4 | H135641 | RING | 2 | | 7.650 X 1.630 MM (0.301" X 0.064") |
| 5 | AH131250 | BLEED VALVE | 2 | | |
| 6 | | CAP | 2 | | |
| 7 | | BACK-UP RING | 2 | | |
| 8 | | O-RING | 2 | | |
| 9 | | SEAL | 4 | | |
| 10 | | O-RING | 4 | | |
| 11 | | BACK-UP RING | 4 | | |
| 12 | | SEAL | 2 | | |
| 13 | | PISTON | 2 | | |
| 14 | | BARREL | 2 | | |
| 15 | H149092 | LABEL | 2 | | (SUB FOR H138423) "CAUTION" |
| 16 | AH133265 | ACCUMULATOR | 2 | | |
| 17 | R26375 | O-RING | 3 | | 16.358 X 2.210 MM (0.644" X 0.087") |
| 18A | C16054 | CLAMP | 2 | | (SUB TY22475) |
| 18B | R77178 | CLAMP | 2 | | |
| 19 | 19M7866 | SCREW | 4 | | M8 X 20 |
| | 14M7298 | FLANGE NUT | 4 | | M8 |
| 20 | R44302 | TIE BAND | 3 | | |
| 21 | H137596 | BRACKET | 1 | | |
| 22 | 19M7864 | SCREW | 4 | | M8 X 12 |
| 23 | T77857 | O-RING | 5 | | 12.421 X 1.778 MM (0.489" X 0.070") |
| 24 | 38H1017 | TEE FITTING | 2 | | |
| 25 | AH132202 | OIL LINE | 1 | | |
| 26 | AH132203 | OIL LINE | 1 | | |
| 27 | 38H1161 | ADAPTER | 1 | | |
| 28 | N232713 | HANDLE | 1 | | |
| 29 | K40001 | LOCK NUT | 1 | | 6.350 MM (1/4") |
| 30 | AH131535 | VALVE | 1 | | |
| 31 | AH133285 | SEAL | 1 | | KIT |
| 32 | 38H1481 | REDUCER | 1 | | |
| 33 | H75541 | CLAMP | 4 | | |
| 34 | 03M7183 | BOLT | 1 | | M8 X 16 |
| | 19M7298 | CAP SCREW | 1 | | M8 X 35 |
| 35 | 14M7296 | FLANGE NUT | 3 | | M10 |
| 36 | 19M8162 | CAP SCREW | 1 | | M10 X 40 |
| .. | BH80267 | COMPLETE GOODS/SHIP. BUNDLE | 1 | | ACCUMULATOR WITH FLOAT INDICATOR |

5D16

HYDRAULICS

ONE GALLON ACCUMULATOR, HOSE, LINE AND MOUNTING

(655301-)
HP5640 -UN-01JAN94



HP5640

5D17

HYDRAULICS

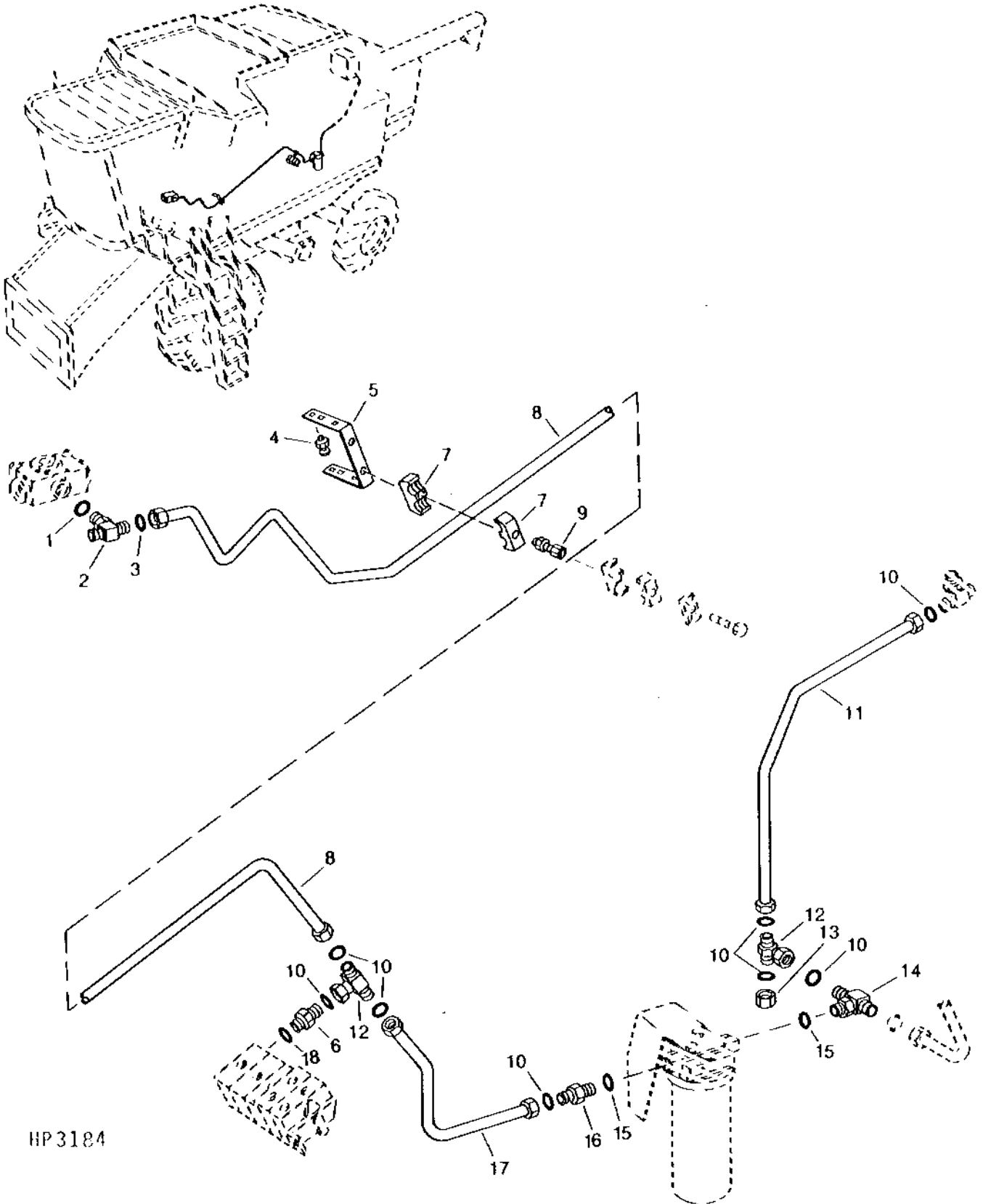
ONE GALLON ACCUMULATOR, HOSE, LINE AND MOUNTING - CONTINUED
(655301-)

| KEY | PART NO. | PART NAME | QTY | SERIAL NO. | REMARKS |
|-----|----------|----------------|-----|------------|--|
| 1 | T77613 | O-RING | 2 | | 9.246 X 1.778 MM (0.364" X 0.070") |
| 2 | AH133151 | HYDRAULIC HOSE | 1 | | 1 1/16" X 3 9/40 MM (155") X 1 1/16" |
| 3 | J2375M | CAP | 2 | | |
| 4 | H135641 | RING | 2 | | 7.650 X 1.630 MM (0.301" X 0.064") |
| 5 | AH131250 | BLEED VALVE | 2 | | |
| 6 | H149092 | LABEL | 1 | | (SUB FOR H138423) "CAUTION" |
| 7 | AH143455 | ACCUMULATOR | 1 | | |
| 8 | R26375 | O-RING | 2 | | 16.358 X 2.210 MM (0.644" X 0.087") |
| 9 | R77178 | CLAMP | 1 | | |
| 10 | 14M7296 | FLANGE NUT | 1 | | M10 |
| 11 | 19M7658 | CAP SCREW | 1 | -655655 | M10 X 50 |
| | 03M7196 | BOLT | 1 | 655656- | M10 X 50 |
| 12 | 19M7866 | SCREW | 4 | | M8 X 20 |
| | 14M7298 | FLANGE NUT | 4 | | M8 |
| 13 | R44302 | TIE BAND | 3 | | |
| 14 | H148366 | BRACKET | 1 | | |
| 15 | 19M7864 | SCREW | 2 | | M8 X 12 |
| 16 | T77857 | O-RING | 3 | | 12.421 X 1.778 MM (0.489" X 0.070") |
| 17 | 38H1017 | TEE FITTING | 1 | | |
| 18 | AH148124 | HYDRAULIC HOSE | 1 | 670301- | 13/16" X 460 MM (18") X 13/16", (SUB FOR AH144095) |
| 19 | 38H1161 | ADAPTER | 1 | | |
| 20 | N232713 | HANDLE | 1 | | |
| 21 | K40001 | LOCK NUT | 1 | | 6.350 MM (1/4") |
| 22 | AH131535 | VALVE | 1 | | |
| 23 | 38H1481 | REDUCER | 1 | | |
| 24 | H75541 | CLAMP | 4 | | |
| 25 | 03M7183 | BOLT | 1 | | M8 X 16 |
| 26 | 14M7296 | FLANGE NUT | 1 | | M10 |

5D18

HYDRAULICS

HYDRAULIC RETURN LINES
HP3184 -UN-01JAN94



HP3184

5D19

HYDRAULICS

HYDRAULIC RETURN LINES - CONTINUED

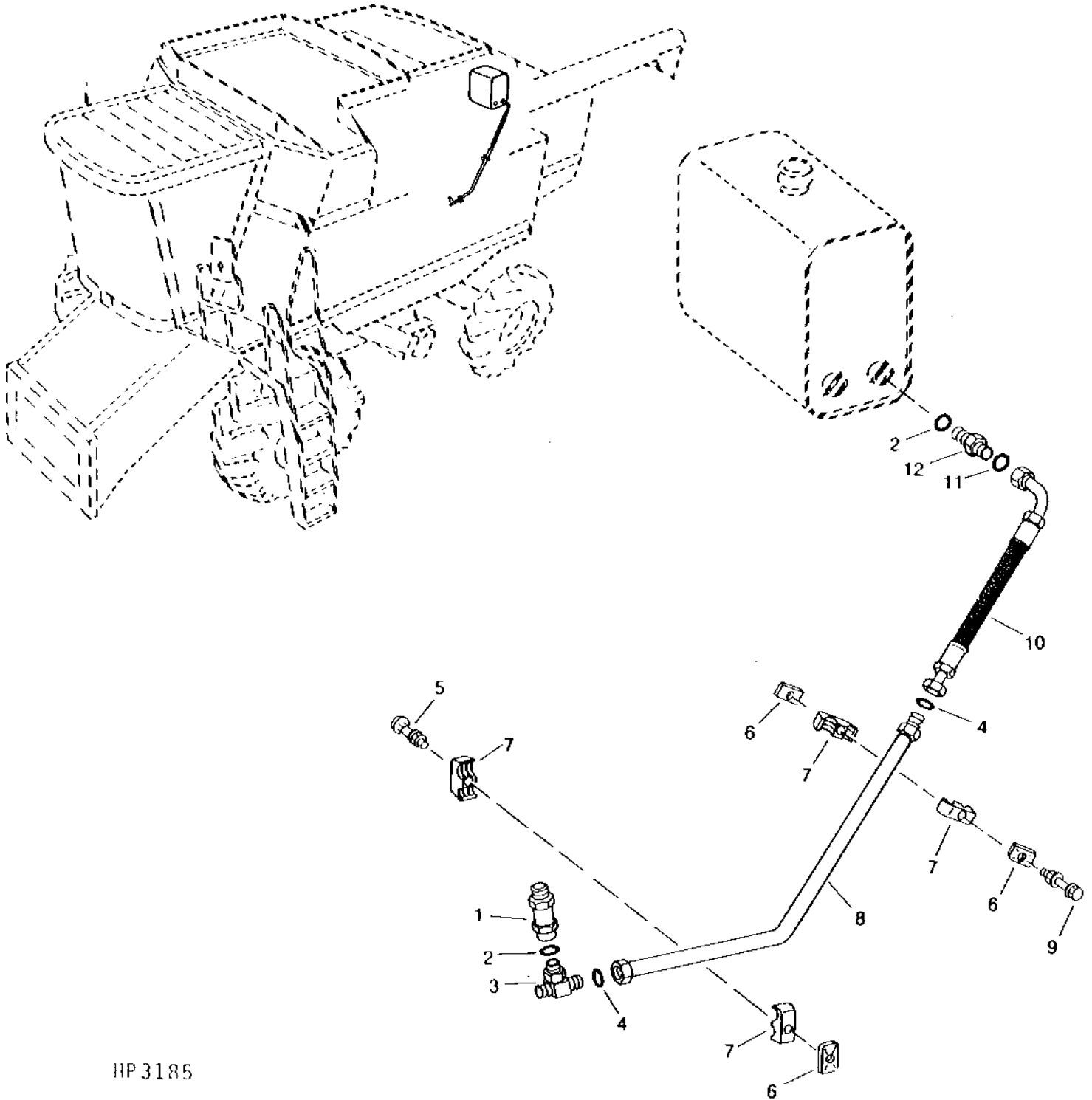
| KEY | PART NO. | PART NAME | QTY | SERIAL NO. | REMARKS |
|-----|----------|----------------|-----|------------|-------------------------------------|
| 1 | R26906 | O-RING | 1 | | 19.177 X 2.464 MM (0.755" X 0.097") |
| 2 | 38H1018 | TEE FITTING | 1 | | |
| 3 | T77932 | O-RING | 1 | -640300 | 15.596 X 1.778 MM (0.614" X 0.070") |
| | T77932 | O-RING | 2 | 640301- | 15.596 X 1.778 MM (0.614" X 0.070") |
| 4 | 03M7184 | BOLT | 4 | | M8 X 20 (RD. HEAD) |
| | 14M7396 | LOCK NUT | 4 | | M8 |
| 5 | H131115 | BRACKET | 1 | | |
| 6 | 38H1193 | ADAPTER | 1 | | |
| 7 | H120847 | CLAMP | 2 | | |
| 8 | AH128851 | OIL LINE | 1 | | (REEL RETURN) |
| 9 | 19M7913 | SCREW | 1 | | M8 X 90 |
| | 14M7298 | FLANGE NUT | 1 | | M8 |
| 10 | T77858 | O-RING | 8 | | 18.771 X 1.778 MM (0.739" X 0.070") |
| 11 | AH130448 | HYDRAULIC LINE | 1 | | (RETURN) |
| 12 | 38H1041 | TEE FITTING | 2 | | |
| 13 | 38H1418 | FITTING PLUG | 1 | | |
| 14 | 38H1437 | TEE FITTING | 1 | | |
| 15 | R29936 | O-RING | 2 | | 29.743 X 2.946 MM (1.171" X 0.116") |
| 16 | 38H1194 | ADAPTER | 1 | | |
| 17 | AH126122 | HYDRAULIC LINE | 1 | | (RETURN) |
| 18 | R26375 | O-RING | 1 | | 16.358 X 2.210 MM (0.644" X 0.087") |

5D20

HYDRAULICS

RESERVOIR HYDRAULIC UPPER RETURN LINES AND HOSES

HP3185 -UN-01JAN94



HP3185

5D21

HYDRAULICS

RESERVOIR HYDRAULIC UPPER RETURN LINES AND HOSES - CONTINUED

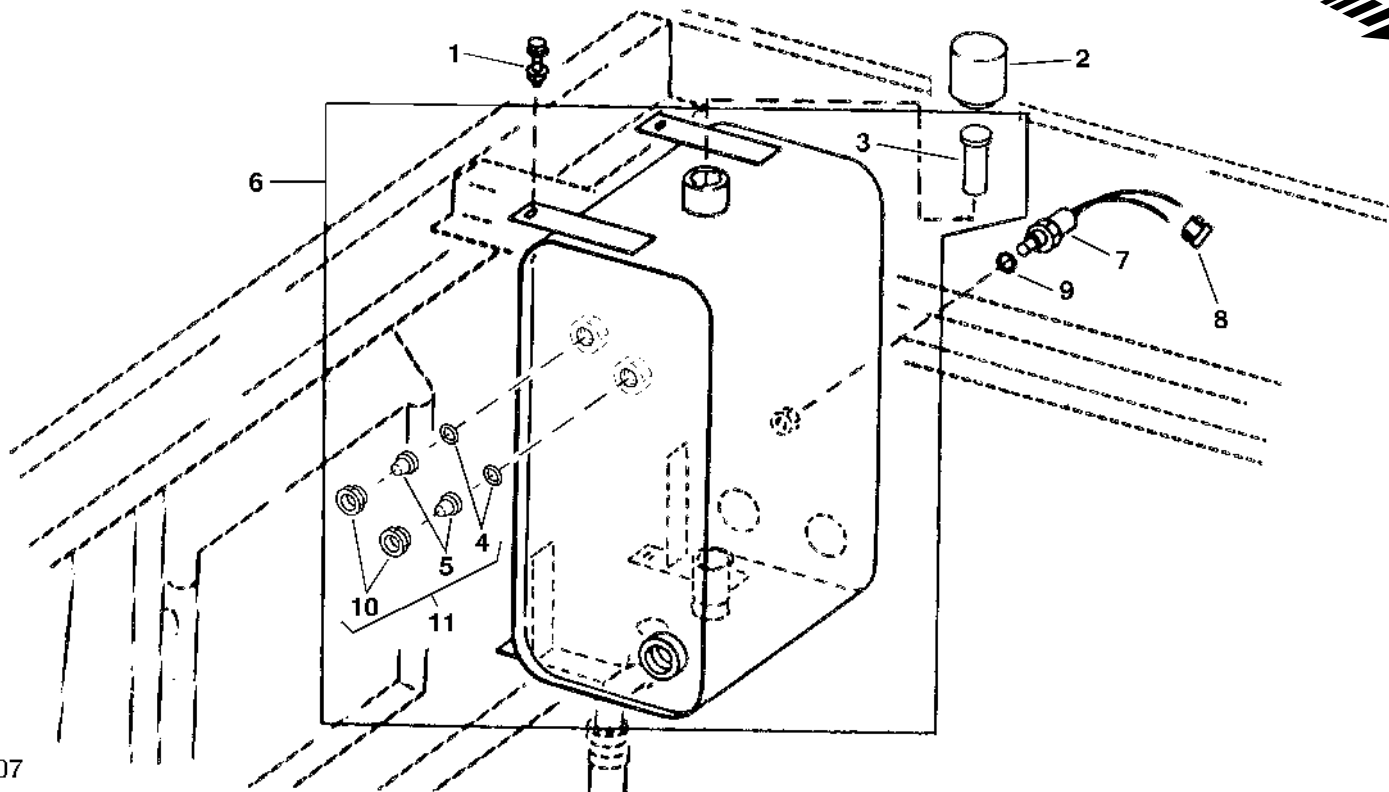
| KEY | PART NO. | PART NAME | QTY | SERIAL NO. | REMARKS |
|-----|----------|----------------|-----|------------|--|
| 1 | AH118337 | CHECK VALVE | 1 | | |
| 2 | U12547 | O-RING | 2 | | 23.470 X 2.946 MM (0.924" X 0.116") |
| 3 | 38H1019 | TEE FITTING | 1 | | |
| 4 | T77858 | O-RING | 2 | | 18.771 X 1.778 MM (0.739" X 0.070") |
| 5 | 03M7245 | BOLT | 1 | | M8 X 55 (RD. HEAD) |
| | 14M7298 | FLANGE NUT | 1 | | M8 |
| 6 | H112567 | PLATE | 3 | | |
| 7 | H114865 | CLAMP | 4 | | |
| 8 | AH130568 | HYDRAULIC LINE | 1 | | (UPPER RETURN) |
| 9 | 19M7801 | SCREW | 1 | | M8 X 60 |
| | 14M7298 | FLANGE NUT | 1 | | M8 |
| 10 | AH130567 | HYDRAULIC HOSE | 1 | | 1-3/16" X 305 MM (12") X 1-3/16", (UPPER RETURN) |
| 11 | T77858 | O-RING | 1 | | 18.771 X 1.778 MM (0.739" X 0.070") |
| 12 | 38H1163 | ADAPTER | 1 | | |

5D22

HYDRAULICS

HYDRAULIC / HYDROSTATIC OIL RESERVOIR AND MOUNTINGS

HP7207 -UN-17OCT97



HP7207

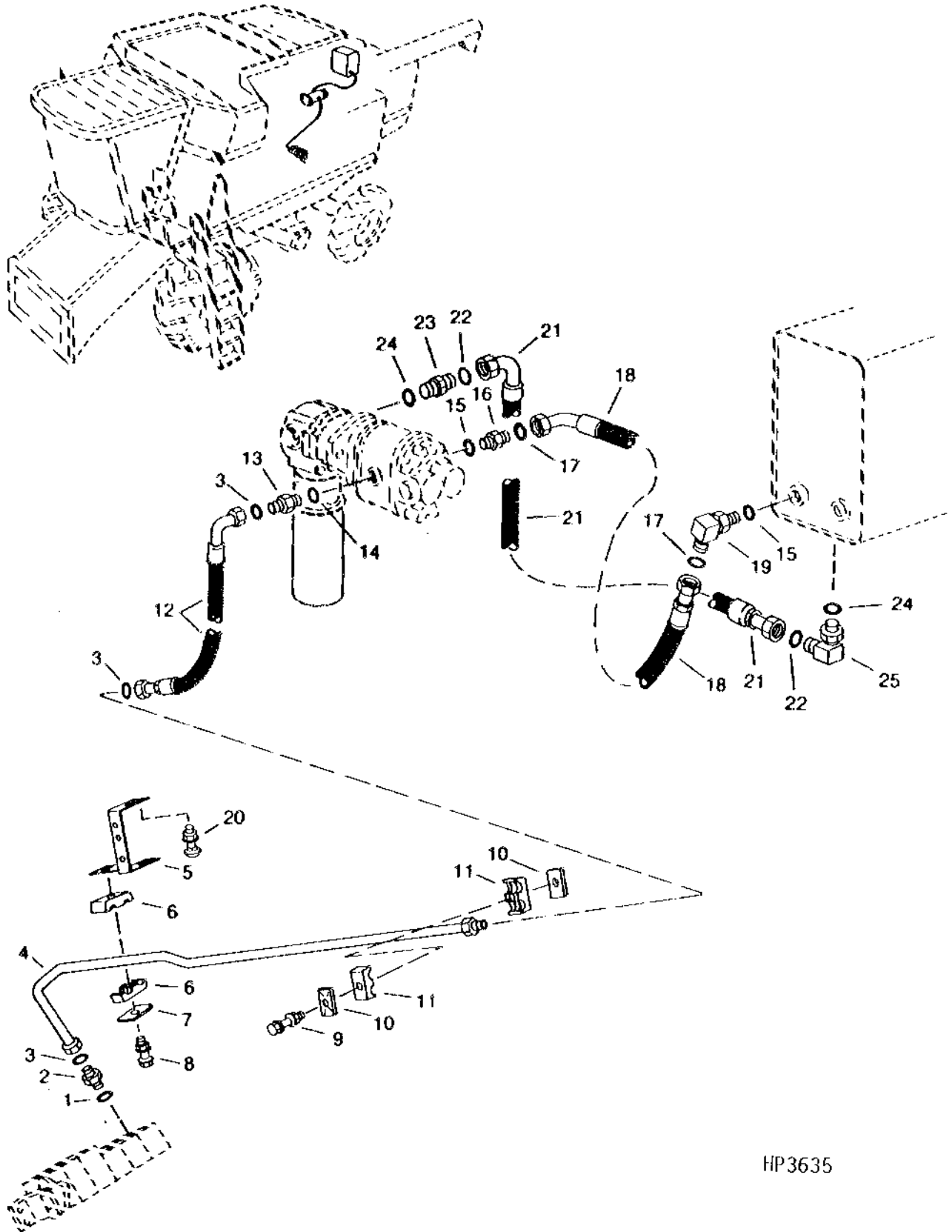
| KEY | PART NO. | PART NAME | QTY | SERIAL NO. | REMARKS |
|-----|----------|---------------------|-----|------------|-------------------------------------|
| 1 | 19M7866 | SCREW | 4 | | M8 X 20 |
| | 14M7298 | FLANGE NUT | 4 | | M8 |
| 2 | AZ49144 | BUCKLE | 1 | | (SUB FOR AH106695) |
| 3 | AH131334 | SCREEN | 1 | | 28 MM DIA. |
| | AH135064 | STRAINER | 1 | | 35 MM DIA. |
| 4 | R375R | O-RING | 2 | -29SEP7 | 15.545 X 2.616 MM (0.612" X 0.103") |
| | P48347 | O-RING | 2 | 29SEP7- | |
| 5 | AE41319 | GAUGE | 2 | -29SEP7 | (WITH O-RING) (SUB FOR AH87790) |
| | N209312 | LENS | 2 | | (SUB FOR N205021) |
| 6 | AH157973 | HYDRAULIC RESERVOIR | 1 | | (SUB FOR AH130168) |
| 7 | AH116105 | SWITCH | 1 | | |
| 8 | R78059 | ELECTRICAL PLUG | 1 | | PACK OF 40 |
| 9 | R26375 | O-RING | 1 | | 16.358 X 2.210 MM (0.644" X 0.087") |
| 10 | N205022 | RETAINER | 2 | 29SEP7- | |
| 11 | AE41319 | GAUGE | 2 | 29SEP7- | |

MEMORANDA

5D23

HYDRAULICS

HYDRAULIC PRESSURE LINES AND HOSES
HP3635 -UN-01JAN94



HP3635

5D24

HYDRAULICS

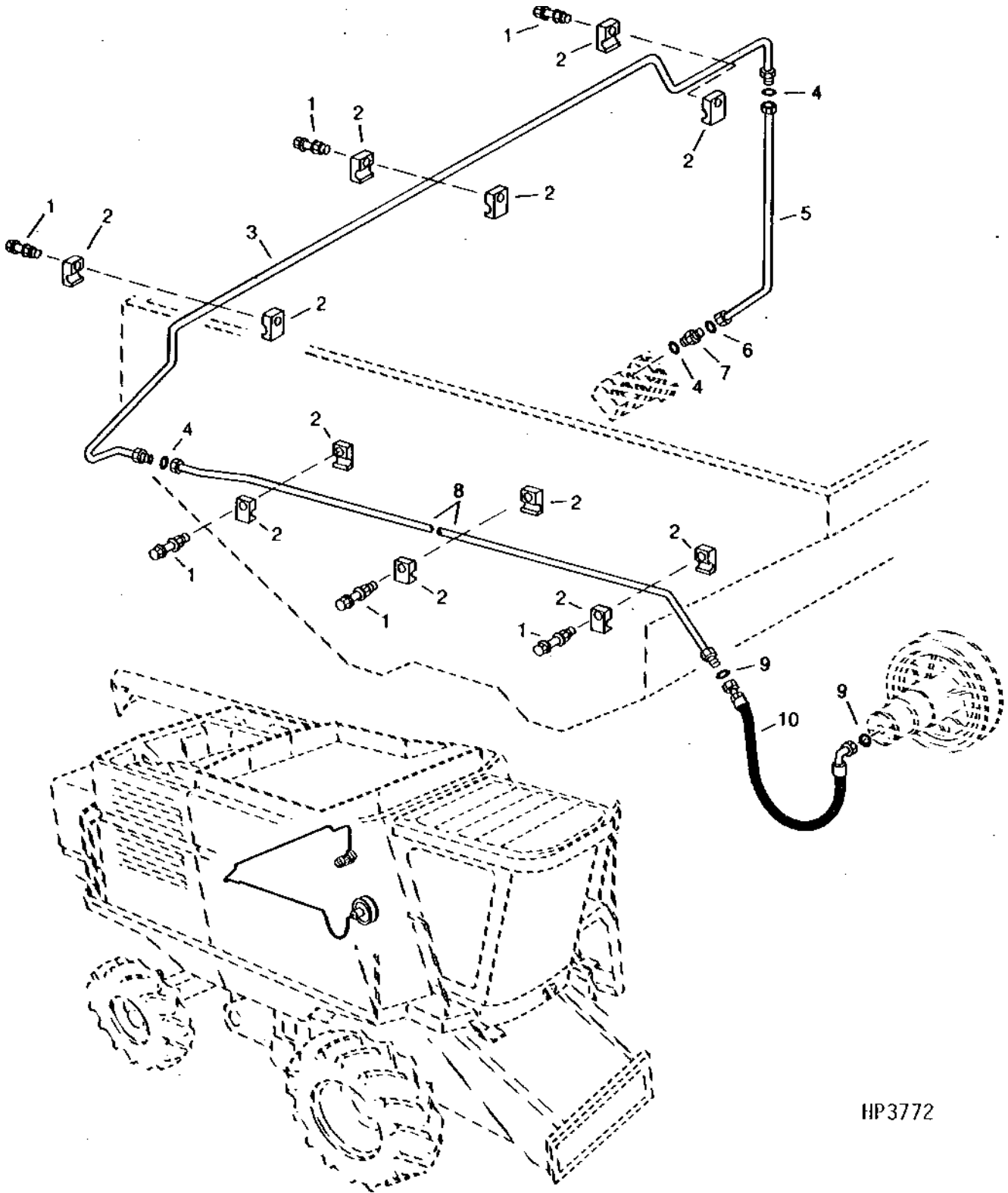
HYDRAULIC PRESSURE LINES AND HOSES - CONTINUED

| KEY | PART NO. | PART NAME | QTY | SERIAL NO. | REMARKS |
|-----|----------|----------------|-----|------------|--------------------------------------|
| 1 | R26375 | O-RING | 1 | | |
| 2 | 38H1317 | FITTING | 1 | | |
| 3 | T77932 | O-RING | 3 | | 16.358 X 2.210 MM (0.644" X 0.087") |
| 4 | AH129244 | OIL LINE | 1 | | |
| 5 | H133659 | BRACKET | 1 | | |
| 6 | H109046 | CLAMP | 2 | | |
| 7 | H121168 | PLATE | 1 | | |
| 8 | 19M8318 | SCREW | 1 | | M8 X 45 |
| | 14M7298 | FLANGE NUT | 1 | | M8 |
| 9 | 19M7801 | SCREW | 1 | | M8 X 60 |
| | 14M7298 | FLANGE NUT | 1 | | M8 |
| 10 | H112567 | PLATE | 2 | | |
| 11 | H111730 | CLAMP | 2 | | |
| 12 | AH166953 | HYDRAULIC HOSE | 1 | | (SUB FOR AH128742) |
| 13 | 38H1162 | ADAPTER | 1 | | |
| 14 | R26906 | O-RING | 1 | | 19.177 X 2.464 MM (0.755" X 0.097") |
| 15 | R29936 | O-RING | 2 | | 29.743 X 2.946 MM (1.171" X 0.116") |
| 16 | 38H1164 | ADAPTER | 1 | | |
| 17 | T76938 | O-RING | 2 | | 23.520 X 1.778 MM (0.926" X 0.070") |
| 18 | AH126240 | HYDRAULIC HOSE | 1 | | 1-7/16" X 600 MM (23-1/2") X 1-7/16" |
| 19 | 38H1037 | ELBOW FITTING | 1 | | |
| 20 | 03M7184 | BOLT | 4 | | M8 X 20 (RD. HEAD) |
| | 14M7396 | LOCK NUT | 4 | | M8 |
| 21 | AH126242 | HYDRAULIC HOSE | 1 | | 1-7/16" X 730 MM (28-3/4") X 1-7/16" |
| 22 | T76938 | O-RING | 2 | | 23.520 X 1.778 MM (0.926" X 0.070") |
| 23 | 38H1164 | ADAPTER | 1 | | |
| 24 | R29936 | O-RING | 2 | | 29.743 X 2.946 MM (1.171" X 0.116") |
| 25 | 38H1037 | ELBOW FITTING | 1 | | |

5E1

HYDRAULICS

CYLINDER SPEED HYDRAULIC LINES AND HOSES
HP3772 -UN-01JAN94



HP3772

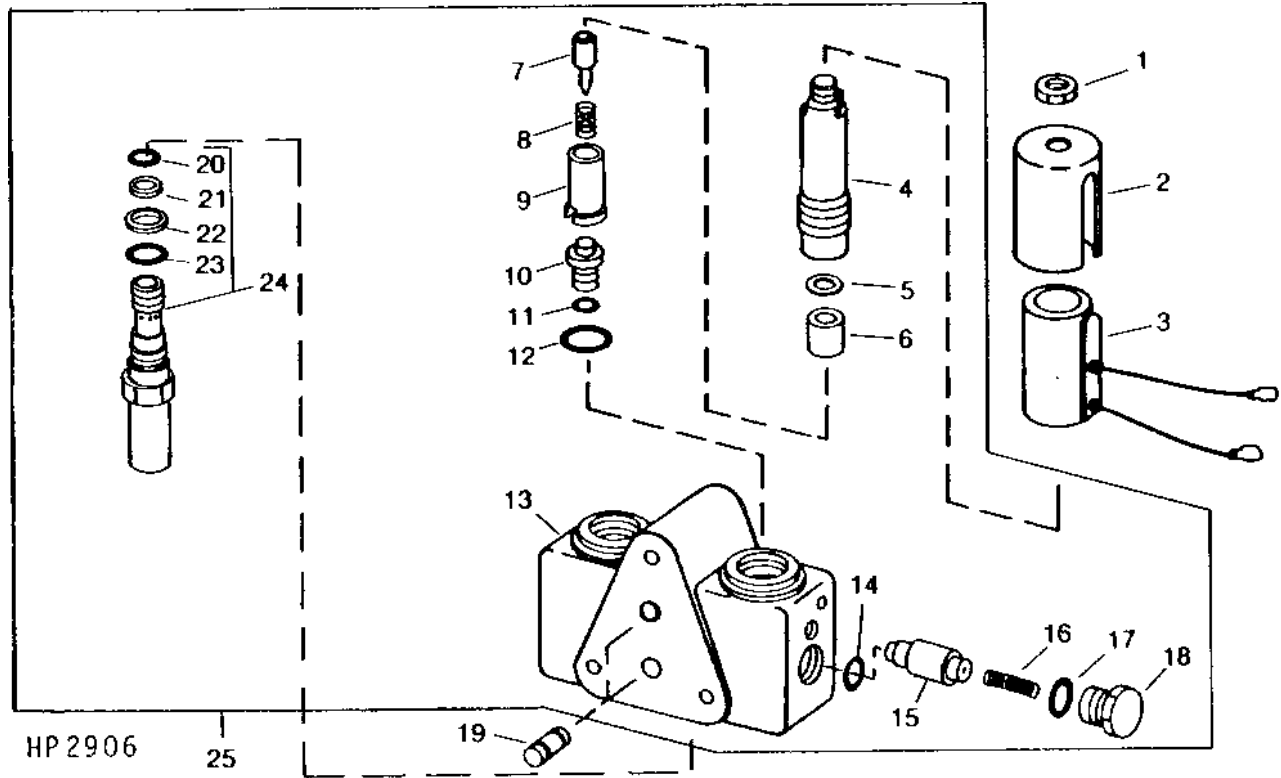
CYLINDER SPEED HYDRAULIC LINES AND HOSES - CONTINUED

| KEY | PART NO. | PART NAME | QTY | SERIAL NO. | REMARKS |
|-----|----------|----------------|-----|------------|------------------------------------|
| 1 | 19M8317 | SCREW | 6 | | M8 X 40 |
| | 14M7298 | FLANGE NUT | 6 | | M8 |
| 2 | H127589 | CLAMP | 12 | | |
| 3 | AH127893 | HYDRAULIC LINE | 1 | | |
| 4 | R26448 | O-RING | 3 | | 11.887 X 1.981 MM (0.468" X 5/64") |
| 5 | AH128853 | HYDRAULIC LINE | 1 | | |
| 6 | T77613 | O-RING | 1 | | 9.246 X 1.778 MM (0.364" X 0.070") |
| 7 | AH130629 | FITTING | 1 | -640300 | |
| | 38H1160 | ADAPTER | 1 | 640301- | |
| 8 | AH128640 | HYDRAULIC LINE | 1 | | |
| 9 | T77814 | O-RING | 2 | | 7.645 X 1.778 MM (0.301" X 0.070") |
| 10 | AH128639 | HYDRAULIC HOSE | 1 | | 9/16" X 410 MM (16-1/4") X 9/16" |

5E3

HYDRAULICS

SOLENOID CONTROL RELIEF VALVE MODULE
 HP2906 -UN-01JAN94



| KEY | PART NO. | PART NAME | QTY | SERIAL NO. | REMARKS |
|-----|----------|-----------------|-----|------------|--|
| 1 | A4655R | NUT | 1 | | 12.700 MM (1/2") |
| 2 | E62942 | COVER | 1 | | |
| 3 | AH124731 | ELECTRICAL COIL | 1 | | |
| 4 | | SLEEVE | 1 | | (A) |
| 5 | | WASHER | 1 | | (A) |
| 6 | | ARMATURE | 1 | | (A) |
| 7 | | POPPET | 1 | | (A) |
| 8 | | SPRING | 1 | | (A) |
| 9 | | GUIDE | 1 | | (A) |
| 10 | | ORIFICE | 1 | | (A) |
| 11 | U40962 | O-RING | 1 | | 6.071 X 1.778 MM (0.239" X 0.070") |
| 12 | | O-RING | 1 | | |
| 13 | | HOUSING | 1 | | |
| 14 | R27564 | O-RING | 1 | | |
| 15 | | POPPET | 1 | | |
| 16 | | SPRING | 1 | | |
| 17 | R26906 | O-RING | 1 | | 19.177 X 2.464 MM (0.755" X 0.097") |
| 18 | | PIPE PLUG | 1 | | |
| 19 | AH131326 | SEAL | 2 | | (WITH O-RINGS AND BACKUPS) |
| 20 | | SEAL | 1 | | (B) |
| 21 | | O-RING | 1 | | (B) |
| 22 | | O-RING | 1 | | (B) |
| 23 | | SEAL | 1 | | (B) |
| 24 | AH147085 | RELIEF VALVE | 1 | | (SUB FOR AH132162) (CONTOUR MASTER) |
| 25 | AH147097 | VALVE | 1 | | (SUB FOR AH131327) UNLOAD (RELIEF) (CONTOUR MASTER) |
| .. | AH134833 | SEAL KIT | 1 | | (SUB FOR AH131328 AND AE37060) INCLUDES PARTS MARKED (A) |
| .. | AH148472 | SEAL KIT | 1 | | (SUB FOR AH132161) INCLUDES PARTS MARKED (B) |

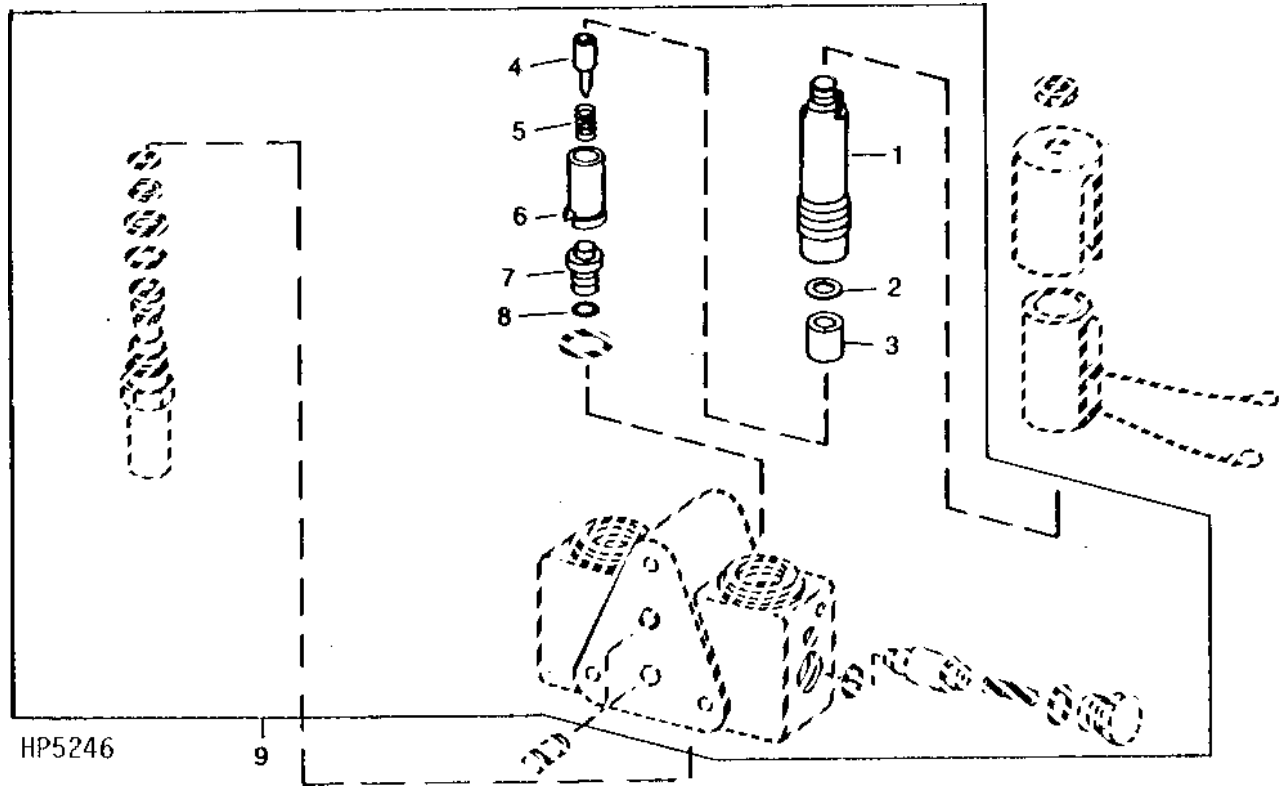
KIT LISTED BELOW CONSISTS OF ALL PARTS IDENTIFIED BY A (C):
 KIT LISTED BELOW CONSISTS OF ALL PARTS IDENTIFIED BY A (D):

5E4

HYDRAULICS

SOLENOID CONTROL RELIEF VALVE MODULE KIT FOR ARMATURE

HP5246 -UN-01JAN94

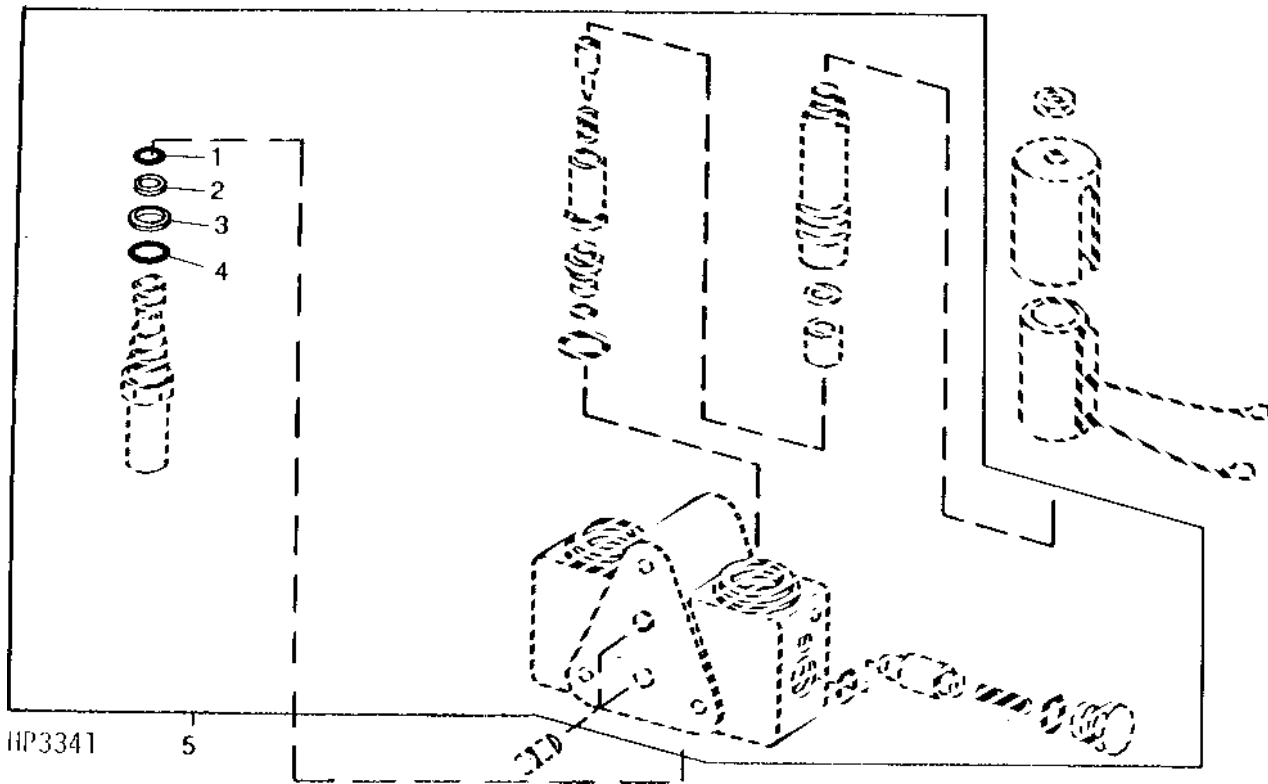


| KEY | PART NO. | PART NAME | QTY | SERIAL NO. | REMARKS |
|-----|----------|-----------|-----|------------|------------------------------------|
| 1 | | SLEEVE | 1 | | |
| 2 | | WASHER | 1 | | |
| 3 | | ARMATURE | 1 | | |
| 4 | | POPPET | 1 | | |
| 5 | | SPRING | 1 | | |
| 6 | | GUIDE | 1 | | |
| 7 | | ORIFICE | 1 | | |
| 8 | U40962 | O-RING | 1 | | 6.071 X 1.778 MM (0.239" X 0.070") |
| 9 | AH134833 | SEAL KIT | 1 | | (SUB FOR AH131328 OR AE37060) |

5E5

SOLENOID CONTROL RELIEF VALVE MODULE SEAL KIT

HP3341 -UN-01JAN94

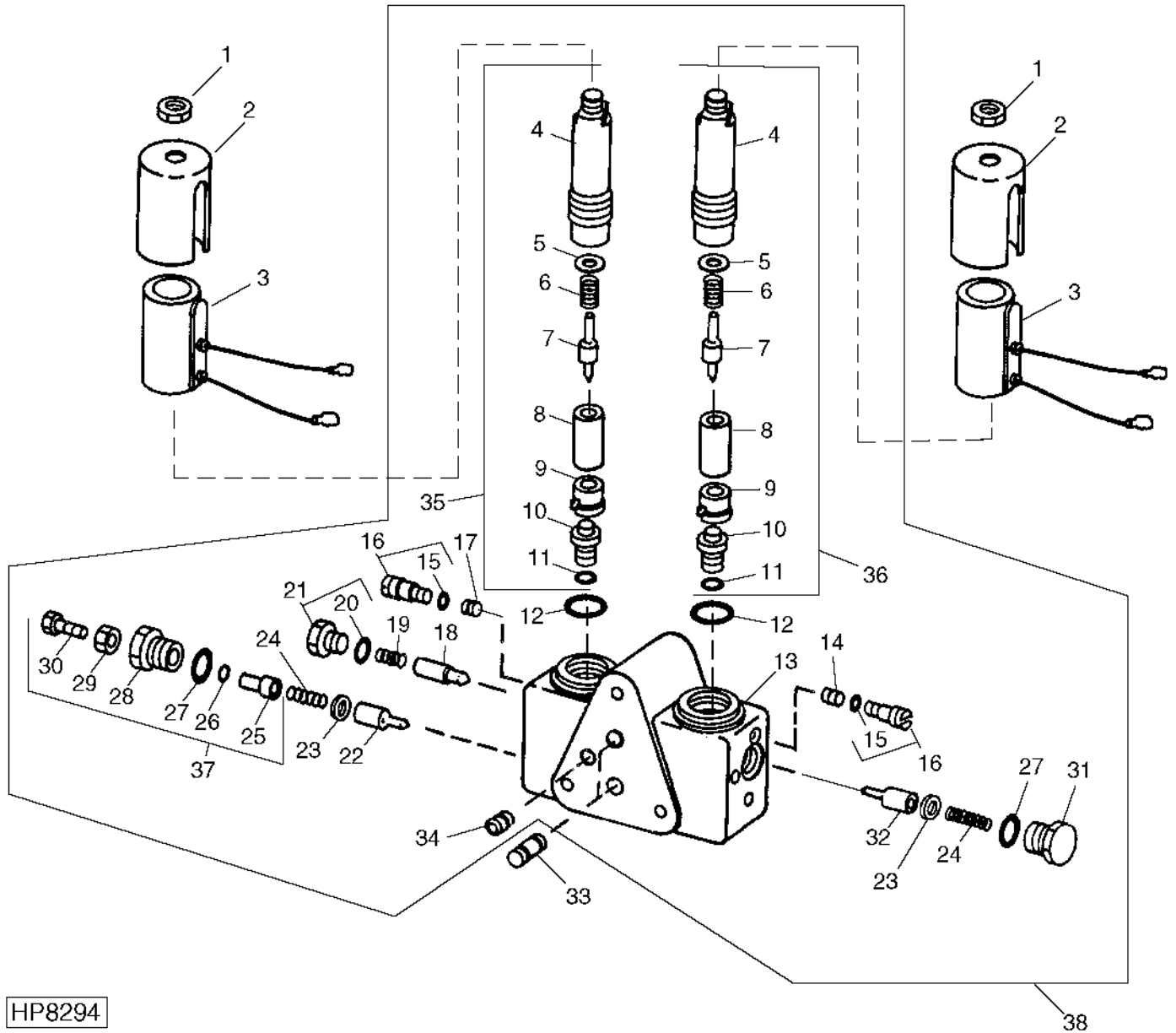


| KEY | PART NO. | PART NAME | QTY | SERIAL NO. | REMARKS |
|-----|----------|-----------|-----|------------|--------------------|
| 1 | | SEAL | 1 | | |
| 2 | | O-RING | 1 | | |
| 3 | | O-RING | 1 | | |
| 4 | | SEAL | 1 | | |
| 5 | AH148472 | SEAL KIT | 1 | | (SUB FOR AH132161) |

MEMORANDA

5E6

SOLENOID CONTROL VALVE FOR HEADER LIFT MODULE
HP8294 -UN-05MAR99



HP8294

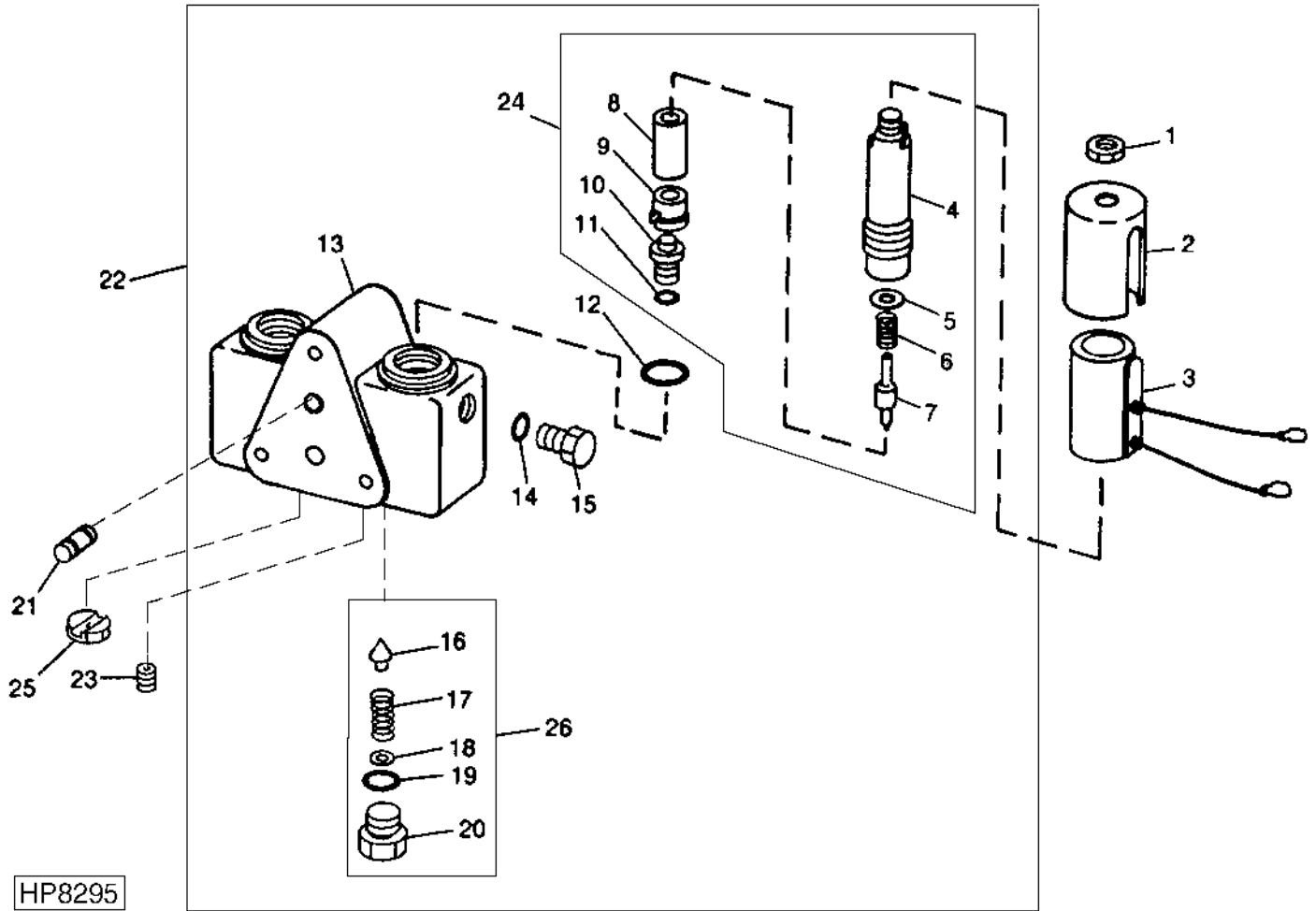
SOLENOID CONTROL VALVE FOR HEADER LIFT MODULE - CONTINUED

| KEY | PART NO. | PART NAME | QTY | SERIAL NO. | REMARKS |
|-----|----------|-----------------|-----|------------|---|
| 1 | A4655R | NUT | 2 | | 12.700 MM |
| 2 | E62942 | COVER | 2 | | |
| 3 | AH124731 | ELECTRICAL COIL | 2 | | |
| 4 | | SLEEVE | 2 | | (A) |
| 5 | | WASHER | 2 | | (A) |
| 6 | E62089 | SPRING | 2 | | (A) |
| 7 | | POPPET | 2 | | (A) |
| 8 | | ARMATURE | 2 | | (A) |
| 9 | | SOLENOID | 2 | | (A) |
| 10 | | ORIFICE | 2 | | (A) |
| 11 | U40962 | O-RING | 2 | | (A) 6.071 X 1.778 MM |
| 12 | T75984 | O-RING | 2 | | (A) 20.345 X 1.778 MM |
| 13 | | HOUSING | 1 | | |
| 14 | | ORIFICE | 1 | | |
| 15 | T26257 | O-RING | 2 | | 2.565 X 1.778 MM |
| 16 | AE38734 | PLUG | 1 | | |
| 17 | | ORIFICE | 1 | | |
| 18 | E66620 | CHECK VALVE | 1 | | (A) |
| 19 | E66619 | SPRING | 1 | | |
| 20 | R28782 | O-RING | 1 | | 8.915 X 1.829 MM |
| 21 | AN122518 | FITTING | 1 | | |
| 22 | H142183 | CHECK VALVE | 1 | | (A) |
| 23 | P51212 | O-RING | 2 | -650300 | (A) |
| | H148775 | O-RING | 2 | 650300- | (A) 10.668 X 13.716 X 1.524 MM |
| 24 | E66618 | SPRING | 2 | | |
| 25 | | STOP | 1 | | |
| 26 | U42902 | RING | 1 | | 4.470 X 1.778 MM |
| 27 | R26448 | O-RING | 2 | | 11.887 X 1.981 MM |
| 28 | | CAP | 1 | | |
| 29 | 14H850 | NUT | 1 | | 1/4" |
| 30 | 19H1914 | CAP SCREW | 1 | | 1/4" X 1" |
| 31 | | CAP | 1 | | |
| 32 | | POPPET | 1 | | |
| 33 | AH161527 | SEAL | 2 | | (WITH O-RING) |
| 34 | AH161529 | SEAL | 1 | | (WITH O-RING) |
| 35 | AE50995 | POPPET | 1 | | (SUB FOR AE49777) LOWER PILOT |
| 36 | AZ51851 | GUIDE | 1 | | (SUB FOR AH96359 OR AH139240) RAISE PILOT |
| 37 | AE38021 | KIT | 1 | | |
| 38 | AH147084 | VALVE | 1 | | (SUB FOR AH142450 OR AH131404) |
| .. | AH151400 | SEAL KIT | 1 | | KIT INCLUDES PARTS MARKED (A) |

5E8

SOLENOID CONTROL VALVE FOR REEL LIFT / VARIABLE AND CYLINDER SPEED

HP8295 -UN-12JUL99



5E9

HYDRAULICS

SOLENOID CONTROL VALVE FOR REEL LIFT / VARIABLE AND CYLINDER SPEED - CONTINUED

| KEY | PART NO. | PART NAME | QTY | SERIAL NO. | REMARKS |
|-----|----------|-----------------|-----|------------|---|
| 1 | A4655R | NUT | 2 | | |
| 2 | E62942 | COVER | 2 | | |
| 3 | AH124731 | ELECTRICAL COIL | 2 | | |
| 4 | | SLEEVE | 2 | | |
| 5 | | WASHER | 2 | | |
| 6 | E62089 | SPRING | 2 | | |
| 7 | | POPPET | 2 | | |
| 8 | | ARMATURE | 2 | | |
| 9 | | SOLENOID | 2 | | |
| 10 | | ORIFICE | 2 | | |
| 11 | U40962 | O-RING | 2 | | 6.071 X 1.778 MM |
| 12 | T75984 | O-RING | 2 | | 20.345 X 1.778 MM |
| 13 | | HOUSING | 2 | | |
| 14 | R30903 | O-RING | 1 | | 6.071 X 1.626 MM |
| 15 | K40994 | FITTING | 1 | | (SAE-2) |
| 16 | | POPPET | 1 | | |
| 17 | | SPRING | 1 | | |
| 18 | | SHIM | AR | | |
| 19 | R28782 | O-RING | 1 | | 8.915 X 1.829 MM |
| 20 | | PLUG | 1 | | |
| 21 | AH131326 | SEAL | 2 | | (WITH O-RING) |
| 22 | AH131419 | VALVE | 1 | -640300 | (SUB AH139060, E62917, H145051, H145052 AND (2) 38H1160) |
| | AH139060 | VALVE | 1 | | LESS COILS,CONNECTING TUBES AND ORIFICE |
| 23 | E62917 | ORIFICE | 1 | | .508 MM DIA. |
| 24 | AH131420 | SEAT KIT | 2 | | |
| 25 | H145051 | APERTURE | 1 | 640301- | .940 MM DIA. |
| | H145052 | APERTURE | 1 | 640301- | .406 MM DIA. |
| 26 | AH131421 | SEAT KIT | 1 | | |

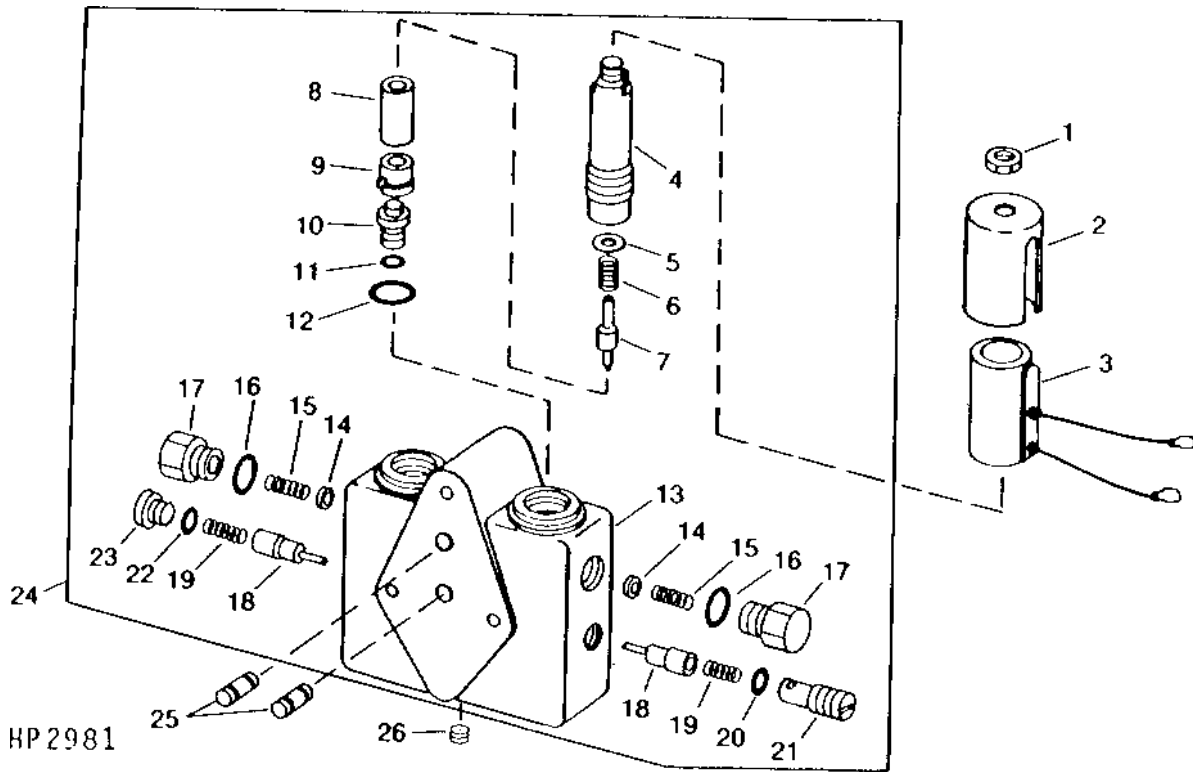
5E10

HYDRAULICS

SOLENOID CONTROL VALVE FOR AUGER SWING

(-650300)

HP2981 -UN-01JAN94



5E11

HYDRAULICS

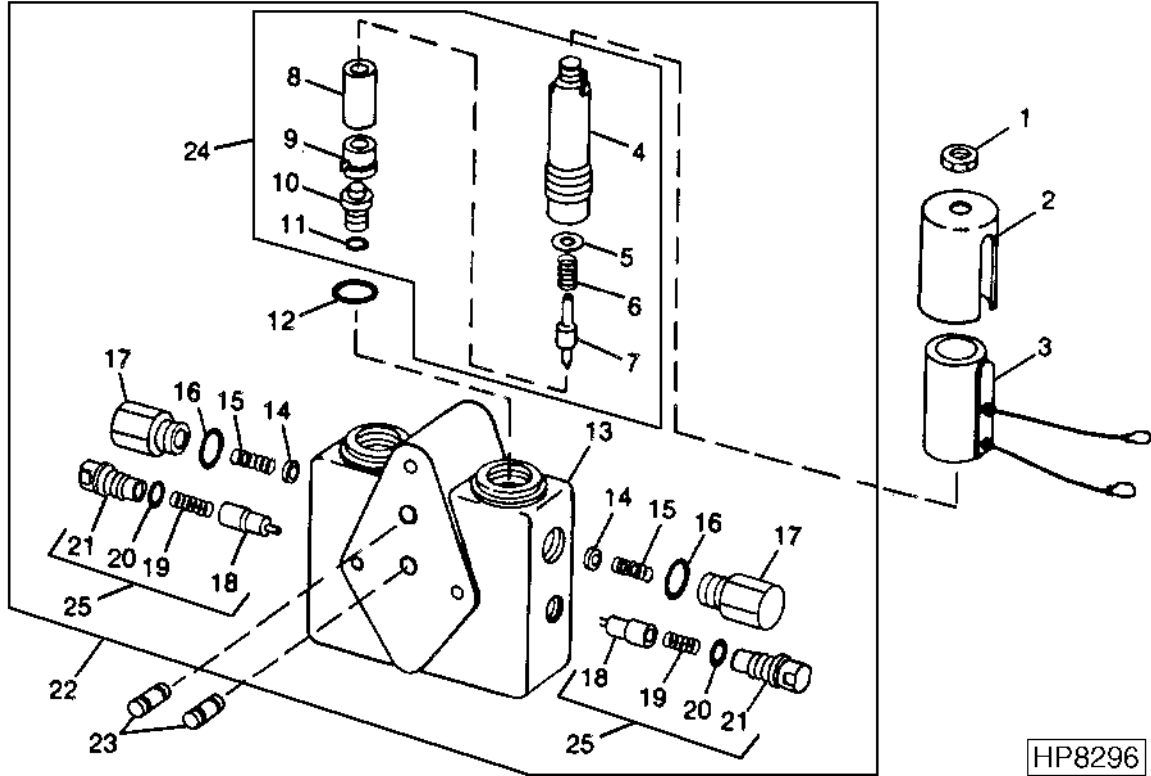
SOLENOID CONTROL VALVE FOR AUGER SWING - CONTINUED
(-650300)

| KEY | PART NO. | PART NAME | QTY | SERIAL NO. | REMARKS |
|-----|----------|-----------------|-----|------------|---|
| 1 | A4655R | NUT | 2 | | 12.700 MM (1/2") |
| 2 | E62942 | COVER | 2 | | |
| 3 | AH124731 | ELECTRICAL COIL | 2 | | |
| 4 | | SLEEVE | 2 | | (A) |
| 5 | | WASHER | 2 | | (B) |
| 6 | E62089 | SPRING | 2 | | (B) |
| 7 | | POPPET | 2 | | (B) |
| 8 | | ARMATURE | 2 | | (A) |
| 9 | | SOLENOID | 2 | | (A) |
| 10 | | ORIFICE | 2 | | (B) |
| 11 | U40962 | O-RING | 2 | | (B) |
| 12 | T75984 | O-RING | 2 | | |
| 13 | | HOUSING | 1 | | (SUB AZ47075) |
| 14 | E62094 | WASHER | 2 | | 7.620 X 17.526 X 2.388 MM |
| 15 | E62093 | SPRING | 2 | -650383 | (SUB AE49003) |
| | AE49003 | KIT | 2 | | |
| 16 | R26906 | O-RING | 2 | | 19.177 X 2.464 MM (0.755" X 0.097") |
| 17 | E62092 | PIPE PLUG | 2 | -650383 | (SUB AE49003) |
| | AE49003 | KIT | 2 | | |
| 18 | AH131460 | CHECK VALVE | 2 | | |
| 19 | | SPRING | 2 | | |
| 20 | U40745 | O-RING | 1 | | 15.545 X 2.616 MM (0.612" X 0.103") |
| 21 | | CAP | 1 | | |
| 22 | R26448 | O-RING | 1 | | 11.887 X 1.981 MM (0.468" X 5/64") |
| 23 | | CAP | 1 | | |
| 24 | AH131461 | SOLENOID VALVE | 1 | -650300 | (SUB AZ47075) |
| | AZ47075 | VALVE | 1 | 650301- | (SUB AH147086) |
| 25 | AH131326 | SEAL | 2 | | (WITH O-RING AND BACK-UP RING) |
| 26 | H135776 | ORIFICE | 1 | | 1.067 MM DIA. |
| .. | AH139240 | KIT | 2 | | (SUB AZ51851) (SUB FOR AH96359) ARMATURE (INCLUDES PARTS MARKED (A)) |
| .. | AE49777 | POPPET | 2 | | (SUB FOR (2) AE37848) POPPET (INCLUDES PARTS MARKED (B)) |
| .. | AZ51851 | GUIDE | 2 | | POPPET(INCLUDES PARTS MARKED (A)) |

5E12

HYDRAULICS

SOLENOID CONTROL VALVE FOR AUGER SWING
 SOLENOID CONTROL VALVE FOR REEL FORE/AFT
 (650301-)
 HP8296 -UN-31MAR99



| KEY | PART NO. | PART NAME | QTY | SERIAL NO. | REMARKS |
|-----|----------|-----------------|-----|------------|---------------------------|
| 1 | A4655R | NUT | 2 | | 12.700 MM |
| 2 | E62942 | COVER | 2 | | |
| 3 | AH161530 | ELECTRICAL COIL | 2 | | |
| 4 | | SLEEVE | 2 | | |
| 5 | | WASHER | 2 | | |
| 6 | E62089 | SPRING | 2 | | |
| 7 | | POPPET | 2 | | |
| 8 | | ARMREST | 2 | | |
| 9 | | SOLENOID | 2 | | |
| 10 | | ORIFICE | 2 | | |
| 11 | U40962 | O-RING | 2 | | 6.071 X 1.778 MM |
| 12 | T75984 | O-RING | 2 | | 20.345 X 1.778 MM |
| 13 | | HOUSING | 1 | | |
| 14 | E62094 | WASHER | 2 | | 7.620 X 17.526 X 2.388 MM |
| 15 | | SPRING | 2 | | |
| 16 | R26906 | O-RING | 2 | | 19.177 X 2.464 MM |
| 17 | | PIPE PLUG | 2 | | |
| 18 | | POPPET | 2 | | |
| 19 | | SPRING | 2 | | |
| 20 | U40745 | O-RING | 2 | | 15.545 X 2.616 MM |
| 21 | | CAP | 2 | | |
| 22 | AH147086 | VALVE | 1 | | (SUB FOR AZ47075) |
| 23 | AH131326 | SEAL | 2 | | (WITH O-RINGS) |
| 24 | AZ51851 | GUIDE | 2 | | |
| 25 | AH142731 | KIT | 2 | | |

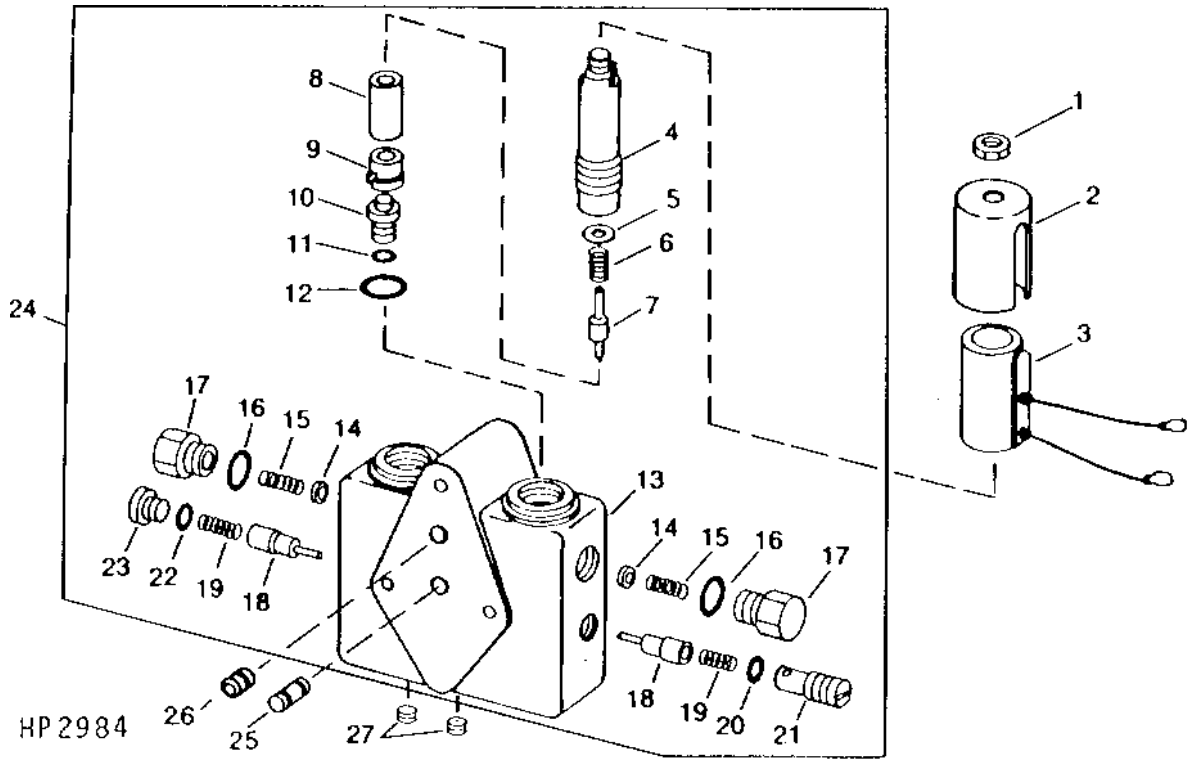
MEMORANDA

5E13

SOLENOID CONTROL VALVE FOR REEL FORE / AFT

(-650300)

HP2984 -UN-01JAN94



5E14

HYDRAULICS

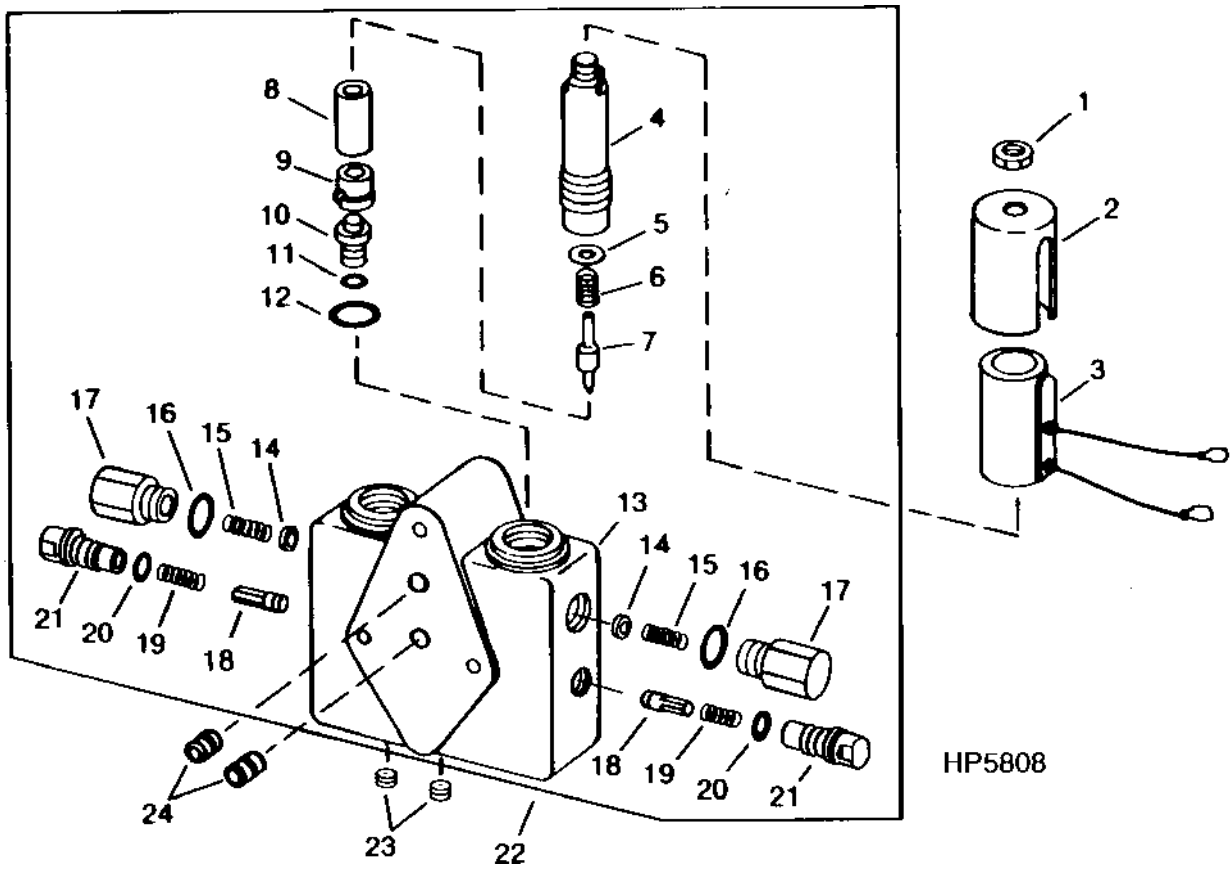
SOLENOID CONTROL VALVE FOR REEL FORE / AFT - CONTINUED
(-650300)

| KEY | PART NO. | PART NAME | QTY | SERIAL NO. | REMARKS |
|-----|----------|-----------------|-----|------------|--|
| 1 | A4655R | NUT | 2 | | 12.700 MM (1/2") |
| 2 | E62942 | COVER | 2 | | |
| 3 | AH124731 | ELECTRICAL COIL | 2 | | |
| 4 | | SLEEVE | 2 | | (A) |
| 5 | | WASHER | 2 | | (B) |
| 6 | E62089 | SPRING | 2 | | (B) |
| 7 | | POPPET | 2 | | (B) |
| 8 | | ARMATURE | 2 | | (A) |
| 9 | | SOLENOID | 2 | | (A) |
| 10 | | ORIFICE | 2 | | (B) |
| 11 | U40962 | O-RING | 2 | | 6.071 X 1.778 MM (0.239" X 0.070") (B) |
| 12 | T75984 | O-RING | 2 | | |
| 13 | | HOUSING | 1 | | (NOT SERVICED) (SUB AH131461) |
| 14 | E62094 | WASHER | 2 | | 7.620 X 17.526 X 2.388 MM (0.300" X 0.690" X 3/32") |
| 15 | E62093 | SPRING | 2 | -650142 | (SUB AE49003) |
| | AE49003 | KIT | 2 | | |
| 16 | R26906 | O-RING | 2 | | 19.177 X 2.464 MM (0.755" X 0.097") |
| 17 | E62092 | PIPE PLUG | 2 | -650142 | (SUB AE49003) |
| | AE49003 | KIT | 2 | | |
| 18 | AH131460 | CHECK VALVE | 2 | | |
| 19 | | SPRING | 2 | | |
| 20 | U40745 | O-RING | 1 | | 15.545 X 2.616 MM (0.612" X 0.103") |
| 21 | | CAP | 1 | | |
| 22 | R26448 | O-RING | 1 | | 11.887 X 1.981 MM (0.468" X 5/64") |
| 23 | | CAP | 1 | | |
| 24 | AH131461 | SOLENOID VALVE | 1 | -650142 | (LESS COILS AND CONNECTING TUBES) (SUB AZ47075) |
| | AZ47075 | VALVE | 1 | | (SUB AH147086) |
| 25 | AH131405 | SEAL | 1 | | (WITH O-RING AND BACK-UP RING) |
| 26 | AH131326 | SEAL | 1 | | (WITH O-RING AND BACK-UP RING) |
| 27 | H135777 | ORIFICE | 2 | | 0.76 MM DIA. |
| .. | AH139240 | KIT | 2 | | (SUB AZ51851) (SUB FOR AH96359) ARMATURE INCS PARTS MARKED (A) |
| .. | AE37848 | KIT | 2 | | POPPET INCS PARTS MARKED (B) |
| .. | AZ51851 | GUIDE | 2 | | POPPET(INCLUDES PARTS MARKED (A)) |

5E15

SOLENOID CONTROL VALVE FOR CONTOUR MASTER

(660301-)
HP5808 -UN-14OCT94



5E16

HYDRAULICS

SOLENOID CONTROL VALVE FOR CONTOUR MASTER - CONTINUED
(660301-)

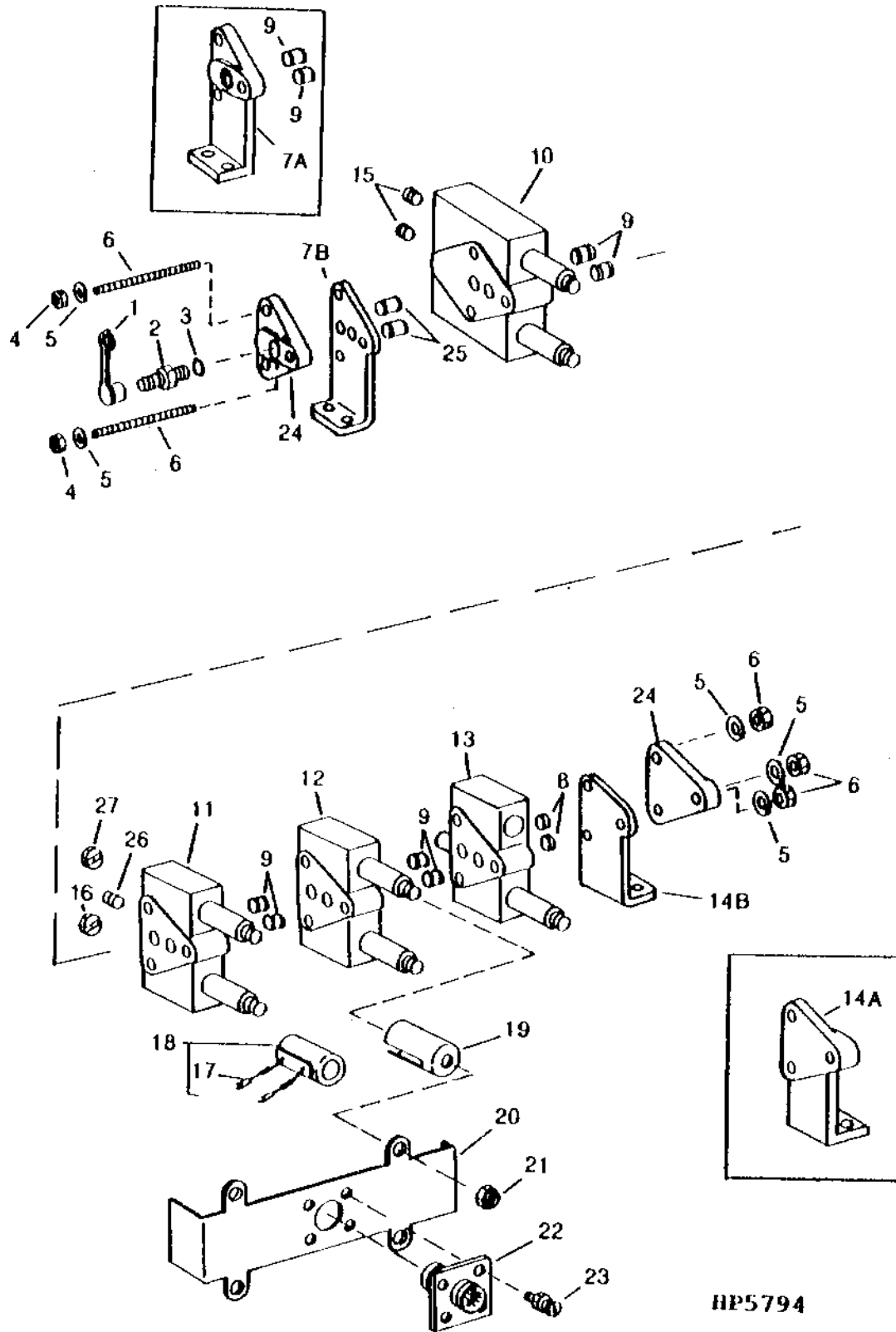
| KEY | PART NO. | PART NAME | QTY | SERIAL NO. | REMARKS |
|-----|----------|-----------------|-----|------------|---|
| 1 | A4655R | NUT | 2 | | 12.700 MM (1/2") |
| 2 | E62942 | COVER | 2 | | |
| 3 | AH124731 | ELECTRICAL COIL | 2 | | |
| 4 | | SLEEVE | 2 | | (A) |
| 5 | | WASHER | 2 | | (A) (B) |
| 6 | E62089 | SPRING | 2 | | (A) (B) |
| 7 | | POPPET | 2 | | (A) (B) |
| 8 | | ARMATURE | 2 | | (A) |
| 9 | | SOLENOID | 2 | | (A) |
| 10 | | ORIFICE | 2 | | (A) (B) |
| 11 | U40962 | O-RING | 2 | | (B) |
| 12 | T75984 | O-RING | 2 | | (A) |
| 13 | | HOUSING | 1 | | (USE AZ47075) |
| 14 | E62094 | WASHER | 2 | | 7.620 X 17.526 X 2.388 MM (0.300" X 0.690" X 3/32") |
| 15 | | SPRING | 2 | | (C) |
| 16 | R26906 | O-RING | 2 | | (C) 19.177 X 2.464 MM (0.755" X 0.097") |
| 17 | | PIPE PLUG | 2 | | (C) |
| 18 | | CHECK VALVE | 2 | | (D) |
| 19 | | SPRING | 2 | | (D) |
| 20 | U40745 | O-RING | 2 | | (D) 15.545 X 2.616 MM (0.612" X 0.103") |
| 21 | | CAP | 2 | | |
| 22 | AH147086 | VALVE | 1 | | (SUB FOR AZ47075) |
| 23 | H149804 | ORIFICE | 2 | | |
| 24 | AH131326 | SEAL | 2 | | (WITH O-RING AND BACK-UP RING) |
| .. | AZ51851 | GUIDE | 2 | | (SUB FOR AH139240) ARMATURE (INCLUDES PARTS MARKED (A)) |
| .. | AE50995 | POPPET | 2 | | (SUB FOR AE49777) POPPET (INCLUDES PARTS MARKED (B)) |
| .. | AE49003 | KIT | 2 | | SPRING KIT (INCLUDES PARTS MARKED (C)) |
| .. | AH142731 | KIT | 2 | | CHECK VALVE KIT (INCLUDES PARTS MARKED (D)) |

5E17

SOLENOID CONTROL VALVE MODULE ASSEMBLY AND MOUNTINGS

FOUR STACK

HP5794 -UN-01JAN94



5E18

HYDRAULICS

**SOLENOID CONTROL VALVE MODULE ASSEMBLY AND MOUNTINGS - CONTINUED
FOUR STACK**

| KEY | PART NO. | PART NAME | QTY | SERIAL NO. | REMARKS |
|-----|----------|----------------------------|-----|---------------|---|
| 1 | R77175 | COVER | 1 | | |
| 2 | AH125760 | HYD. QUICK-CONNECT COUPLER | 1 | | |
| 3 | R26448 | O-RING | 1 | | 11.887 X 1.981 MM (0.468" X 5/64") |
| 4 | 14H786 | NUT | 6 | | 1/4" |
| 5 | 12H297 | LOCK WASHER | 6 | | 1/4" |
| 6 | E62892 | STUD | 3 | | 1/4" X 11-3/4" 1/4" X 11-3/4" (CUT TO LENGTH) |
| 7A | H135897 | BRACKET | 1 | -635300 | (SUB H139513 AND H139515 AND (2) AH134733) |
| 7B | H139513 | BRACKET | 1 | | |
| 8 | AH131405 | SEAL | 3 | | |
| 9 | AH131326 | SEAL | 6 | | |
| 10 | AH131461 | SOLENOID VALVE | 1 | -650300 | (2 MODULES-AUGER SWING AND REEL FORE/AFT; 1 MODULE-AUGER SWING) (SUB AZ47075) |
| | AZ47075 | VALVE | 1 | -662296 | (SUB AH147086) |
| | AH147086 | VALVE | 1 | | |
| 11 | AH131419 | VALVE | 1 | -640300 | (SUB AH139060 AND E62917 AND H145051 AND H145052 AND (2) 38H1160) |
| | AH139060 | VALVE | 1 | | |
| 12 | AH147084 | VALVE | 1 | | (SUB FOR AH131404 OR AH142450) (CONTOUR MASTER) |
| 13 | AH147097 | VALVE | 1 | | (SUB FOR AH131327) UNLOAD (RELIEF) (CONTOUR MASTER) |
| 14A | | BRACKET | 1 | -635300 | |
| 14B | H139512 | BRACKET | 1 | 635301- | |
| 15 | H135777 | ORIFICE | 2 | | 0.76MM DIA. |
| 16 | H135776 | ORIFICE | 1 | | 1.06MM DIA. |
| 17 | R77464 | PIN CONTACT | AR | | (PACKAGE OF 50) |
| 18 | AH124731 | ELECTRICAL COIL | 7 | | |
| 19 | E62942 | COVER | 7 | | |
| 20 | H135898 | COVER | 1 | | |
| 21 | A4655R | NUT | 7 | | 12.700 MM (1/2") |
| 22 | 57M7199 | RECEPTACLE | 1 | | (24 WAY) |
| 23 | 21H1290 | SCREW | 4 | | 0.138" X 1/2" |
| | 14H1026 | NUT | 4 | | 0.138" |
| 24 | H139515 | MANIFOLD | 2 | 635301- | |
| 25 | AH134733 | SEAL | 2 | 635301- | |
| 26 | E62917 | ORIFICE | 1 | 640301-640300 | .508 MM DIA. |
| 27 | H145052 | APERTURE | 1 | 640301- | .406 MM DIA. |
| 28 | H145051 | APERTURE | 1 | 640301- | .940 MM DIA. |

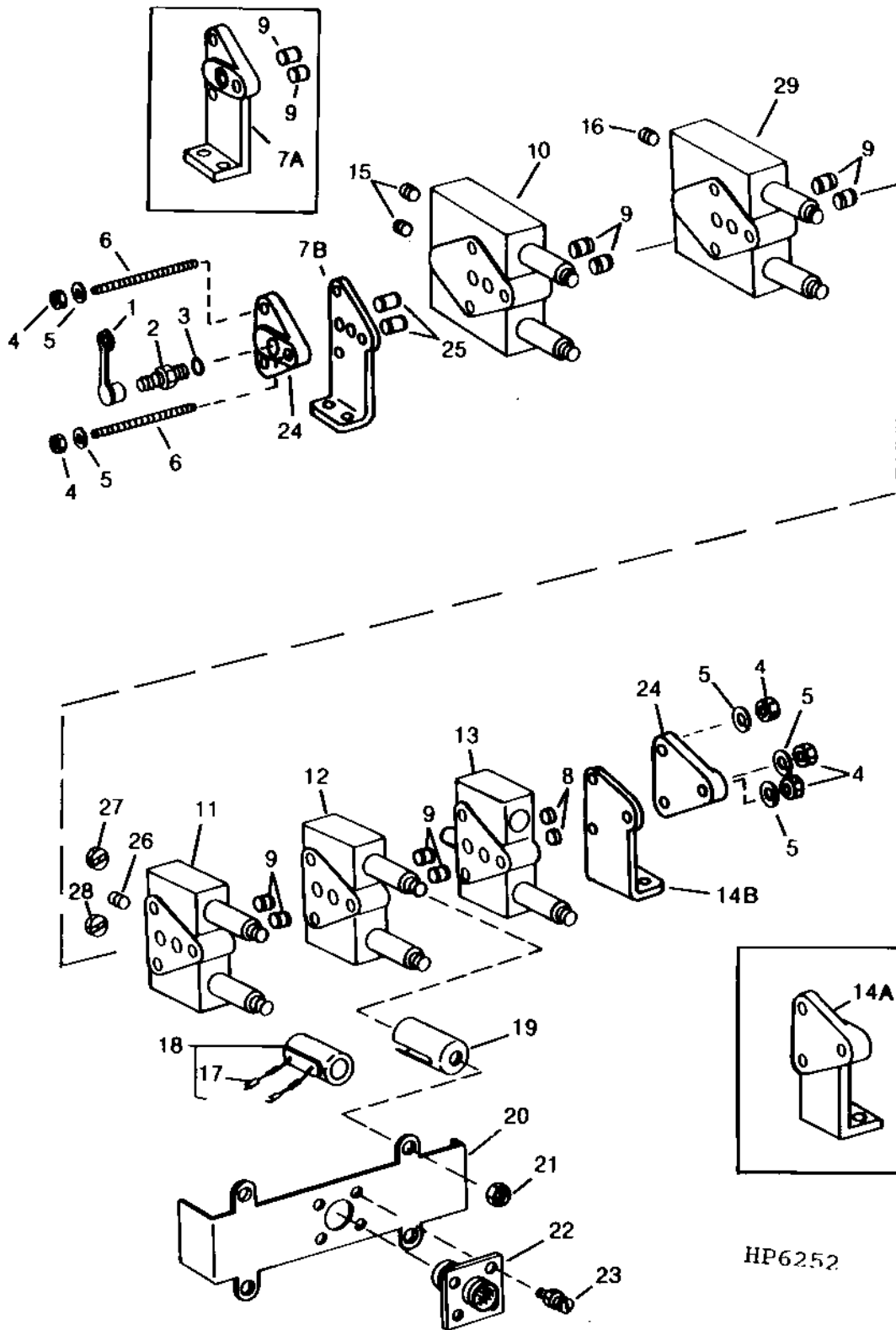
5E19

HYDRAULICS

SOLENOID CONTROL VALVE MODULE ASSEMBLY AND MOUNTINGS

FIVE STACK

HP6252 -UN-04JAN96



5E20

HYDRAULICS

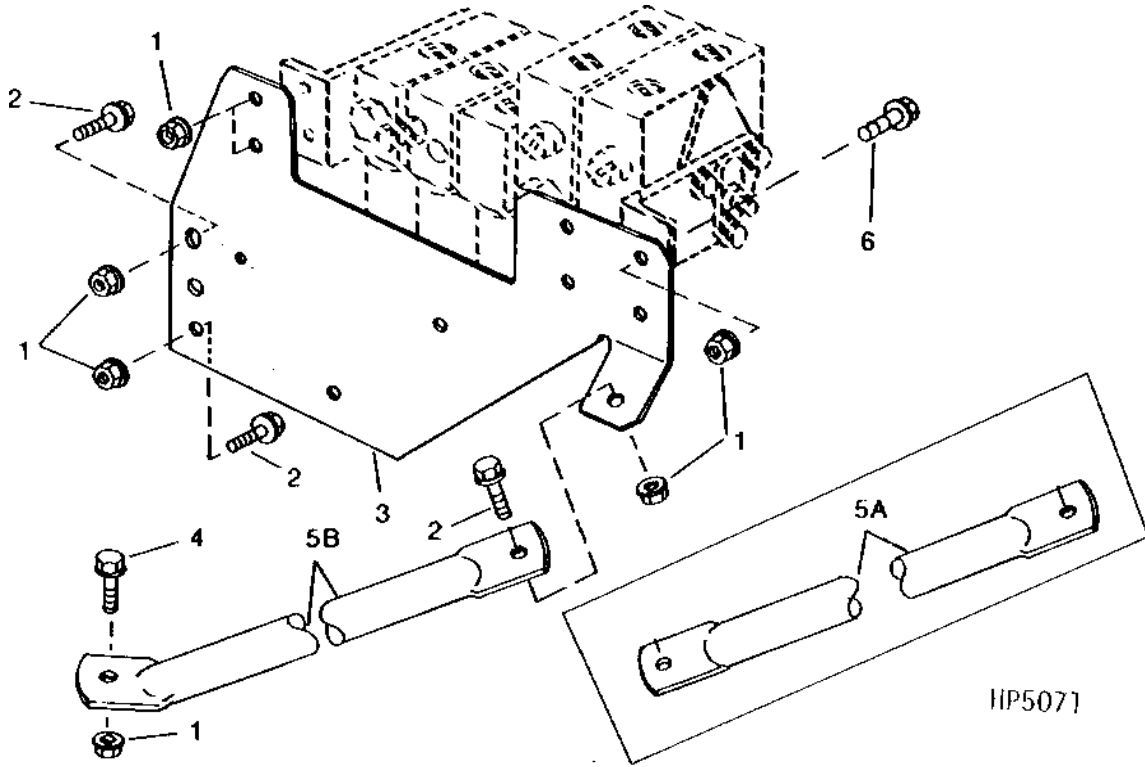
**SOLENOID CONTROL VALVE MODULE ASSEMBLY AND MOUNTINGS - CONTINUED
FIVE STACK**

| KEY | PART NO. | PART NAME | QTY | SERIAL NO. | REMARKS |
|-----|----------|----------------------------|-----|---------------|--|
| 1 | R77175 | COVER | 1 | | |
| 2 | AH125760 | HYD. QUICK-CONNECT COUPLER | 1 | | |
| 3 | R26448 | O-RING | 1 | | 11.887 X 1.981 MM (0.468" X 5/64") |
| 4 | 14H786 | NUT | 6 | | 1/4" |
| 5 | 12H297 | LOCK WASHER | 6 | | 1/4" |
| 6 | E62892 | STUD | 3 | | 1/4" X 11-3/4" 1/4" X 11-3/4" (CUT TO LENGTH) |
| 7A | H135897 | BRACKET | 1 | -635300 | (SUB H139513 AND H139515 AND (2) AH134733) |
| 7B | H139513 | BRACKET | 1 | | |
| 8 | AH131405 | SEAL | 3 | | |
| 9 | AH131326 | SEAL | 8 | | (WITH 5 MODULES-USE 9; WITH 4 MODULES-USE 7) |
| 10 | AH147086 | VALVE | 1 | | (SUB FOR AH131461 OR AZ47075) REEL FORE/AFT |
| 11 | AH131419 | VALVE | 1 | -662296 | (SUB AH139060 AND E62917 AND H145051 AND H145052 AND (2) 38H1160) REEL LIFT/CYLINDER SPEED |
| | AH139060 | VALVE | 1 | | REEL LIFT/CYLINDER SPEED |
| 12 | AH147084 | VALVE | 1 | 662297- | (SUB FOR AH131404 OR AH142450) (CONTOUR MASTER) |
| 13 | AH147097 | VALVE | 1 | | (SUB FOR AH131327) UNLOAD (RELIEF) (CONTOUR MASTER) |
| 14A | | BRACKET | 1 | -635300 | |
| 14B | H139512 | BRACKET | 1 | 635301- | |
| 15 | H135777 | ORIFICE | 2 | | 0.76MM DIA. |
| 16 | H135776 | ORIFICE | 1 | | 1.06MM DIA. |
| 17 | R77464 | PIN CONTACT | AR | | (PACKAGE OF 50) |
| 18 | AH124731 | ELECTRICAL COIL | 9 | | |
| 19 | E62942 | COVER | 9 | | |
| 20 | H135898 | COVER | 1 | | |
| 21 | A4655R | NUT | 9 | | 12.700 MM (1/2") |
| 22 | 57M7199 | RECEPTACLE | 1 | | (24 WAY) |
| 23 | 21H1290 | SCREW | 4 | | 0.138" X 1/2" |
| | 14H1026 | NUT | 4 | | 0.138" |
| 24 | H139515 | MANIFOLD | 2 | 635301- | |
| 25 | AH134733 | SEAL | 2 | 635301- | |
| 26 | E62917 | ORIFICE | 1 | 640301-640300 | .508 MM DIA. |
| 27 | H145052 | APERTURE | 1 | 640301- | .406 MM DIA. |
| 28 | H145051 | APERTURE | 1 | 640301- | .940 MM DIA. |
| 29 | AH147086 | VALVE | 1 | | (SUB FOR AZ47075) (AUGER EXTEND/RETRACT) |

5E21

HYDRAULICS

SOLENOID CONTROL VALVE BRACKETS
HP5071 -UN-01JAN94



| KEY | PART NO. | PART NAME | QTY | SERIAL NO. | REMARKS |
|-----|----------------|------------------------------------|-----|------------|-------------------------------------|
| 1 | 14M7298 | FLANGE NUT | 8 | | M8 |
| 2 | 19M7866 | SCREW | 3 | -645497 | M8 X 20 |
| | 19M7866 | SCREW | 2 | 645498- | M8 X 20 |
| 3 | H159291 | BRACKET | 1 | | (SUB H166148) (SUB FOR H132853) |
| | H166148 | BRACKET | 1 | | |
| 4 | 19M7803 | SCREW | 1 | | M8 X 70 |
| 5A | H132837 | BRACE | 1 | -645497 | (SUB H146535) |
| 5B | H146535 | SUPPORT | 1 | -29SEP7 | |
| | H158638 | BRACE | 1 | 29SEP7- | |
| 6 | 19M7897 | SCREW | 4 | | M8 X 35 |
| .. | BH80537 | COMPLETE GOODS/SHIP. BUNDLE | 1 | | CLEANING FAN SHIELDING, WIDE |

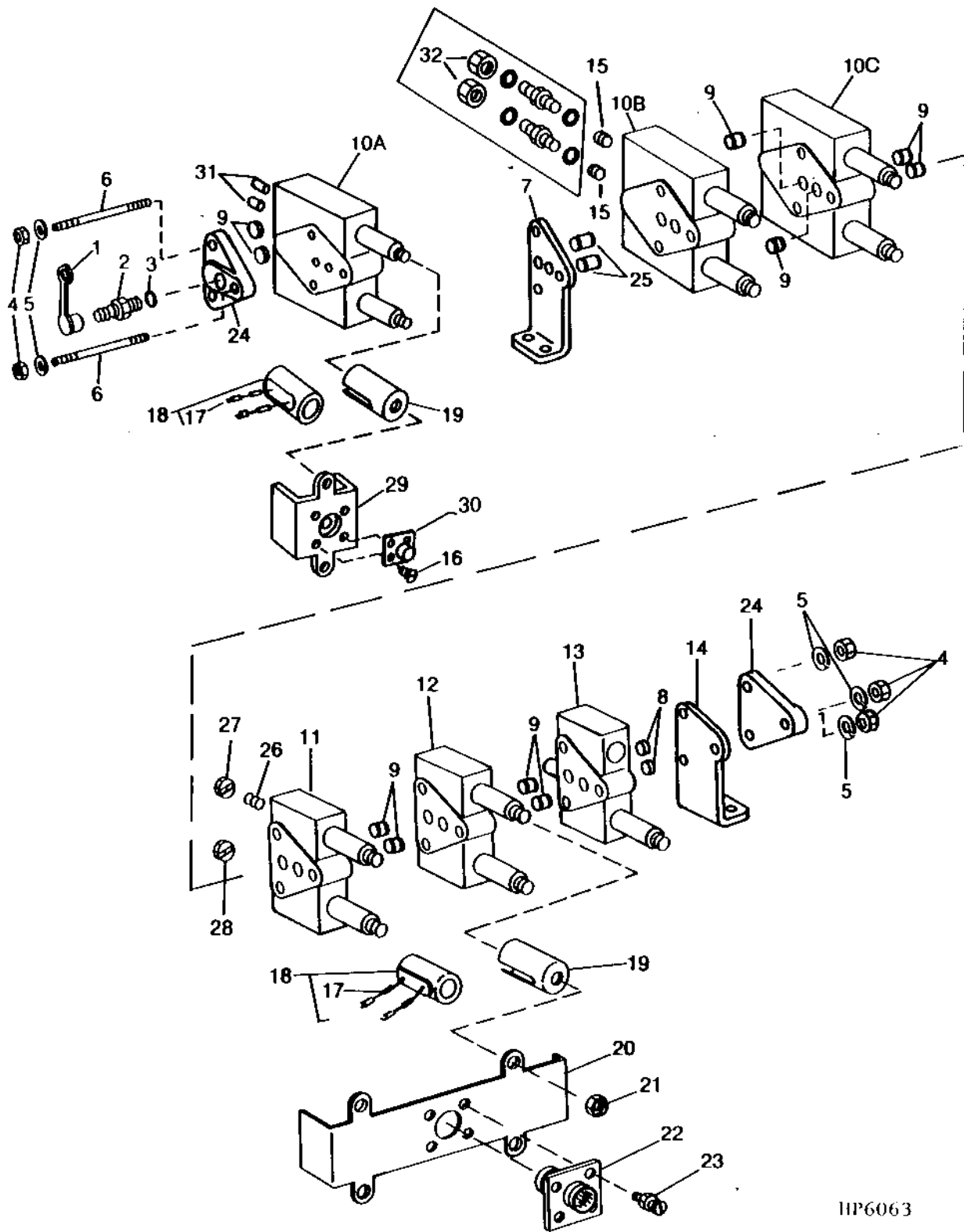
MEMORANDA

5E22

HYDRAULICS

SIX STACK SOLENOID CONTROL VALVE MODULE ASSEMBLY AND MOUNTINGS

(660301-)
HP6063 -UN-27APR95



HP6063

5E23

HYDRAULICS

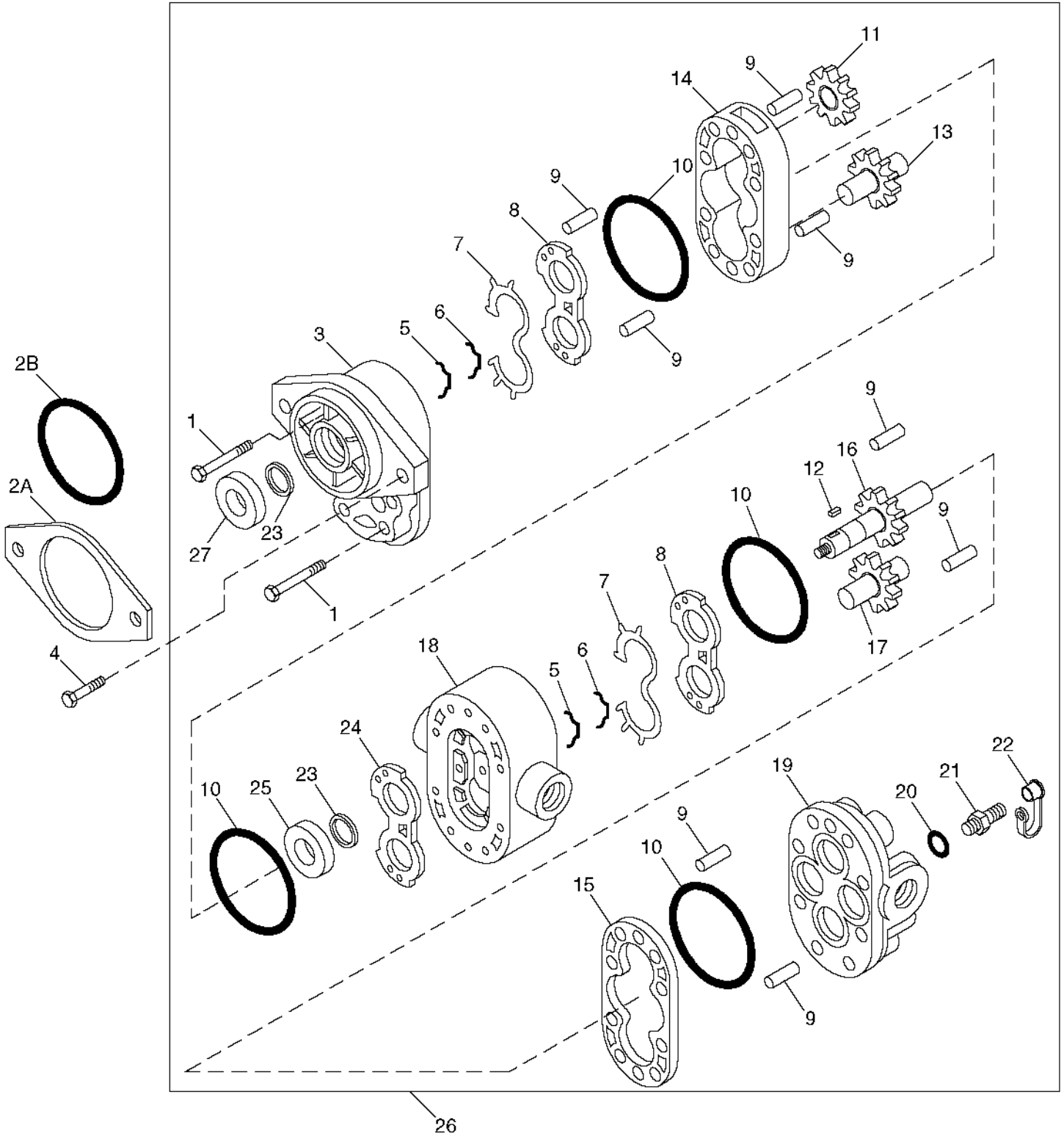
SIX STACK SOLENOID CONTROL VALVE MODULE ASSEMBLY AND MOUNTINGS - CONTINUED
(660301-)

| KEY | PART NO. | PART NAME | QTY | SERIAL NO. | REMARKS |
|-----|----------|----------------------------|-----|------------|--|
| 1 | R77175 | COVER | 1 | | |
| 2 | AH125760 | HYD. QUICK-CONNECT COUPLER | 1 | | |
| 3 | R26448 | O-RING | 1 | | |
| 4 | 14H786 | NUT | 6 | | 6.350 MM (1/4") |
| 5 | 12H297 | LOCK WASHER | 6 | | 6.350 MM (1/4") |
| 6 | H149803 | TIE ROD | 3 | | 1/4" X 13-1/2" (CUT TO LENGTH) |
| 7 | H139513 | BRACKET | 1 | | (USE WITH H139515 AND (2) AH134733) |
| 8 | AH131405 | SEAL | 2 | | |
| 9 | AH131326 | SEAL | 10 | | |
| 10A | AZ47075 | VALVE | 1 | -662296 | (SUB AH147086) CONTOUR MASTER |
| | AH147086 | VALVE | 1 | | CONTOUR MASTER |
| 10B | AZ47075 | VALVE | 1 | -662296 | (SUB AH147086) REEL FORE/AFT |
| | AH147086 | VALVE | 1 | | REEL FORE/AFT |
| 10C | AZ47075 | VALVE | 1 | -662296 | (SUB AH147086) AUGER SWING |
| | AH147086 | VALVE | 1 | | AUGER SWING |
| 11 | AH139060 | VALVE | 1 | | (USE WITH E62917, H145051, H145052 AND (2) 38H1160) REEL LIFT/CYLINDER SPEED |
| 12 | AH142450 | VALVE | 1 | -662296 | (SUB AH147084) HEADER LIFT |
| | AH147084 | VALVE | 1 | | (CONTOUR MASTER) |
| 13 | AH131327 | VALVE | 1 | -662296 | (SUB AH147097) RELIEF VALVE |
| | AH147097 | VALVE | 1 | | RELIEF VALVE |
| 14 | H139512 | BRACKET | 1 | | (USE WITH H139515) |
| 15 | H135777 | ORIFICE | 2 | | 0.76 MM DIA. |
| 16 | M71770 | SCREW | 4 | | |
| 17 | R77464 | PIN CONTACT | AR | | (PKG. OF 50) |
| 18 | AH124731 | ELECTRICAL COIL | 11 | | |
| 19 | E62942 | COVER | 11 | | |
| 20 | H135898 | COVER | 1 | | |
| 21 | A4655R | NUT | 11 | | |
| 22 | 57M7199 | RECEPTACLE | 1 | | (24 WAY) |
| 23 | 21H1290 | SCREW | 4 | | 3.505 X 12.700 MM (0.138" X 1/2") |
| | 14H1026 | NUT | 4 | | 3.505 MM (0.138") |
| 24 | H139515 | MANIFOLD | 2 | | |
| 25 | AH134733 | SEAL | 2 | | |
| 26 | E62917 | ORIFICE | 1 | | 0.508 MM DIA. |
| 27 | H145052 | APERTURE | 1 | | 0.406 MM DIA. |
| 28 | H145051 | APERTURE | 1 | | 0.940 MM DIA. |
| 29 | H150062 | COVER | 1 | | |
| 30 | | RECEPTACLE | 1 | | (4 PIN CONNECTOR) |
| 31 | H149804 | ORIFICE | 2 | | 1.19 MM DIA. |
| 32 | 38H1415 | FITTING PLUG | 2 | | (W/CONTOUR MASTER) (W/O REEL FORE/AFT) |

5E24

HYDRAULICS

MAIN HYDRAULIC PUMP
HP9204 -UN-25OCT99



HP9204

5E25

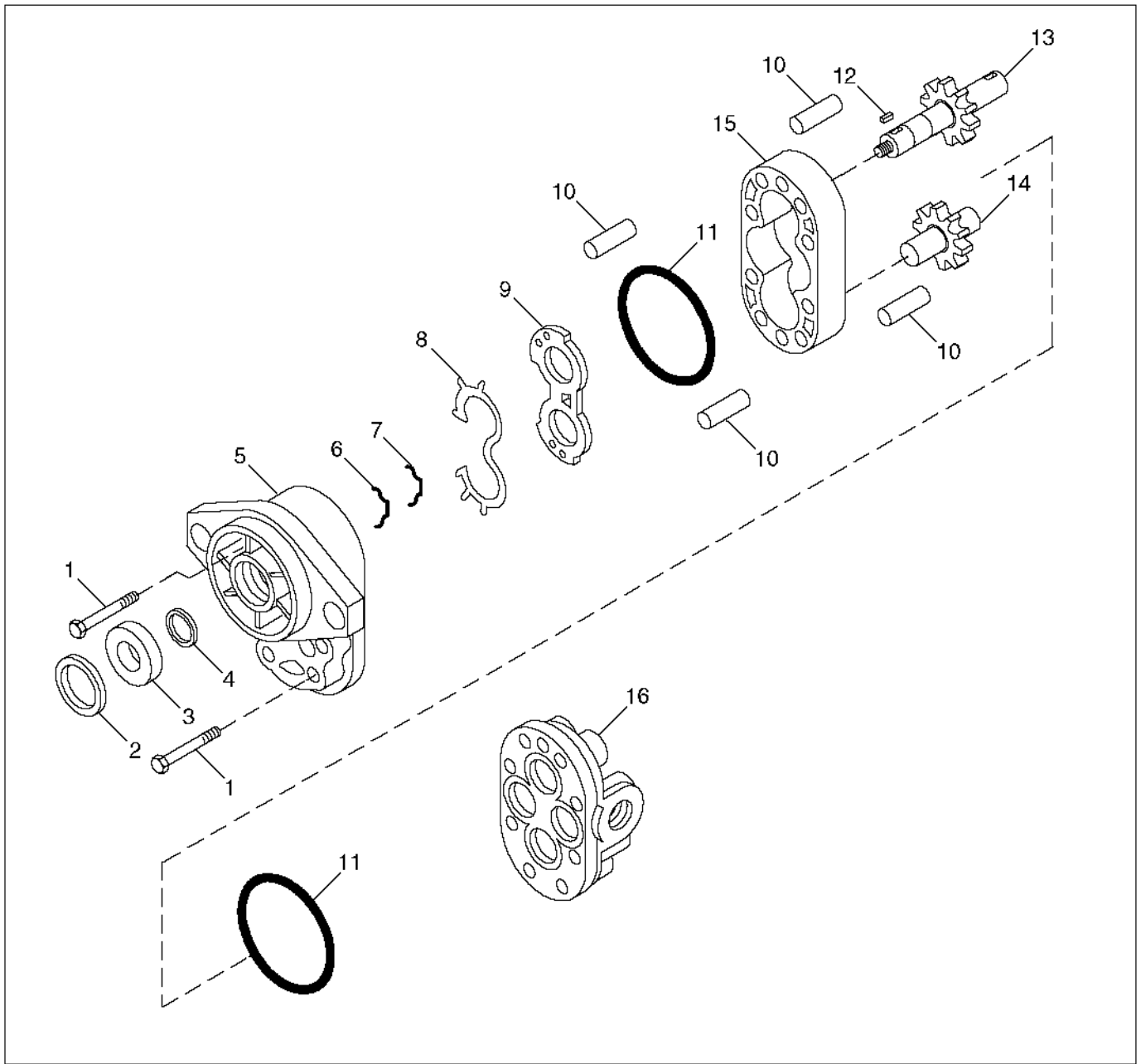
HYDRAULICS

MAIN HYDRAULIC PUMP - CONTINUED

| KEY | PART NO. | PART NAME | QTY | SERIAL NO. | REMARKS |
|-----|------------------------|----------------------------------|--------|------------|---|
| 1 | GG310-30411 H135569 | SCREW CAP SCREW | 8 8 | | 7.925 X 133.350 MM (5/16" X 5-1/4") (PLANETARY FINAL DRIVE) |
| 2A | H131121 | GASKET | 1 | -677387 | |
| 2B | E65288 | O-RING | 1 | 677388- | |
| 3 | | PLATE | 1 | | |
| 4 | 19H1732 12H304 | CAP SCREW LOCK WASHER | 2 2 | | 3/8" X 1-1/4" 3/8" |
| 5 | | SEAL | 2 | | (A) |
| 6 | | GASKET | 2 | | (A) |
| 7 | | GASKET | 2 | | (A) |
| 8 | | WEAR PLATE | 2 | | (A) |
| 9 | H116213 | DOWEL PIN | 8 | | |
| 10 | H80821 | O-RING | 4 | | (A) 75.921 X 1.778 MM (2.989" X 0.070") |
| 11 | | PARALLEL SHAFT GEAR DRIVE | 1 | | |
| 12 | H125929 H135566 | SHAFT KEY KEY | 1 1 | | (PLANETARY FINAL DRIVE) |
| 13 | | GEAR | 1 | | |
| 14 | | HOUSING | 1 | | |
| 15 | | LINK BODY | 1 | | |
| 16 | | GEAR | 1 | | |
| 17 | | GEAR | 1 | | |
| 18 | | PLATE | 1 | | |
| 19 | | PLATE | 1 | | |
| 20 | R26448 | O-RING | 1 | | (A) 11.887 X 1.981 MM (0.468" X 5/64") |
| 21 | AH125760 | HYD. QUICK-CONNECT COUPLER | 1 | | |
| 22 | R77175 | COVER | 1 | | |
| 23 | M48869 | WASHER | 2 | | (A) 19.215 X 25.337 X 0.813 MM (0.757" X 0.998" X 0.032") |
| 24 | | PLATE | 1 | | (A) |
| 25 | | SEAL | 1 | | (A) |
| 26 | AH131183 AH131175 | HYDRAULIC PUMP HYDRAULIC PUMP | 1 1 | | (CESSNA NO. R25381 - RAH)- REMANUFACTURED (CESSNA NO. R25382- RAN) REMANUFACTURED (PLANETARY FINAL DRIVE) |
| 27 | | SEAL | 1 | | (A) |
| .. | AH162145 | SEAL KIT | 1 | | (SUB FOR AH131181) INCLUDES PARTS MARKED (A) |

5F1

REEL / BELT PICKUP DRIVE PUMP
HP8488 -UN-20APR99



HP8488

5F2

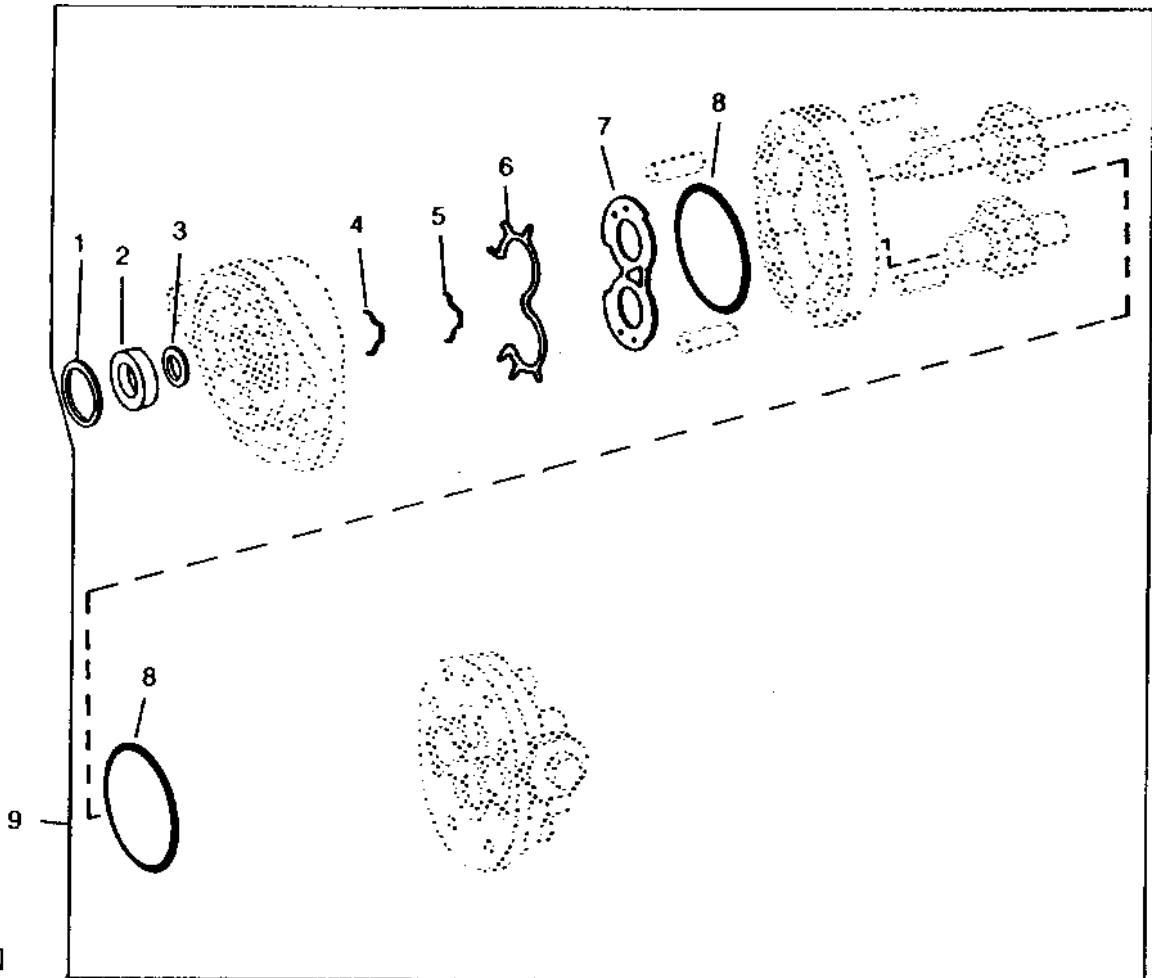
HYDRAULICS

REEL / BELT PICKUP DRIVE PUMP - CONTINUED

| KEY | PART NO. | PART NAME | QTY | SERIAL NO. | REMARKS |
|-----|----------|----------------|-----|------------|--|
| 1 | E61791 | BOLT | 8 | | |
| 2 | M41029 | SNAP RING | 1 | | 7.925 X 69.850 MM (5/16" X 2-3/4") |
| 3 | AH131842 | SEAL | 1 | | (KIT AH131176) |
| 4 | M48869 | WASHER | 1 | | |
| 5 | | PLATE | 1 | | 19.215 X 25.337 X 0.813 MM (0.757" X 0.998" X 0.032") (KIT AH131176) |
| 6 | | SEAL | 1 | | (SUB AH131178) |
| 7 | | GASKET | 1 | | (KIT AH131176) |
| 8 | | GASKET | 1 | | (KIT AH131176) |
| 9 | | WEAR PLATE | 1 | | (KIT AH131176) |
| 10 | H116213 | DOWEL PIN | 4 | | |
| 11 | H80821 | O-RING | 2 | | 75.921 X 1.778 MM (2.989" X 0.070") |
| 12 | N34986 | SHAFT KEY | 1 | | |
| 13 | AH131304 | SHAFT | 1 | | |
| 14 | | GEAR | 1 | | (SUB AH131178) |
| 15 | | HOUSING | 1 | | (SUB AH131178) |
| 16 | | PLATE | 1 | | (SUB AH131178) |
| 17 | AH131178 | HYDRAULIC PUMP | 1 | | (CESSNA NO. R25305-RAK) - REMANUFACTURED |
| .. | AH131176 | SEAL KIT | 1 | | |

5F3

REEL HYDRAULIC PUMP SEAL KIT
HP2951 -UN-01JAN94



HP2951

5F4

HYDRAULICS

REEL HYDRAULIC PUMP SEAL KIT - CONTINUED

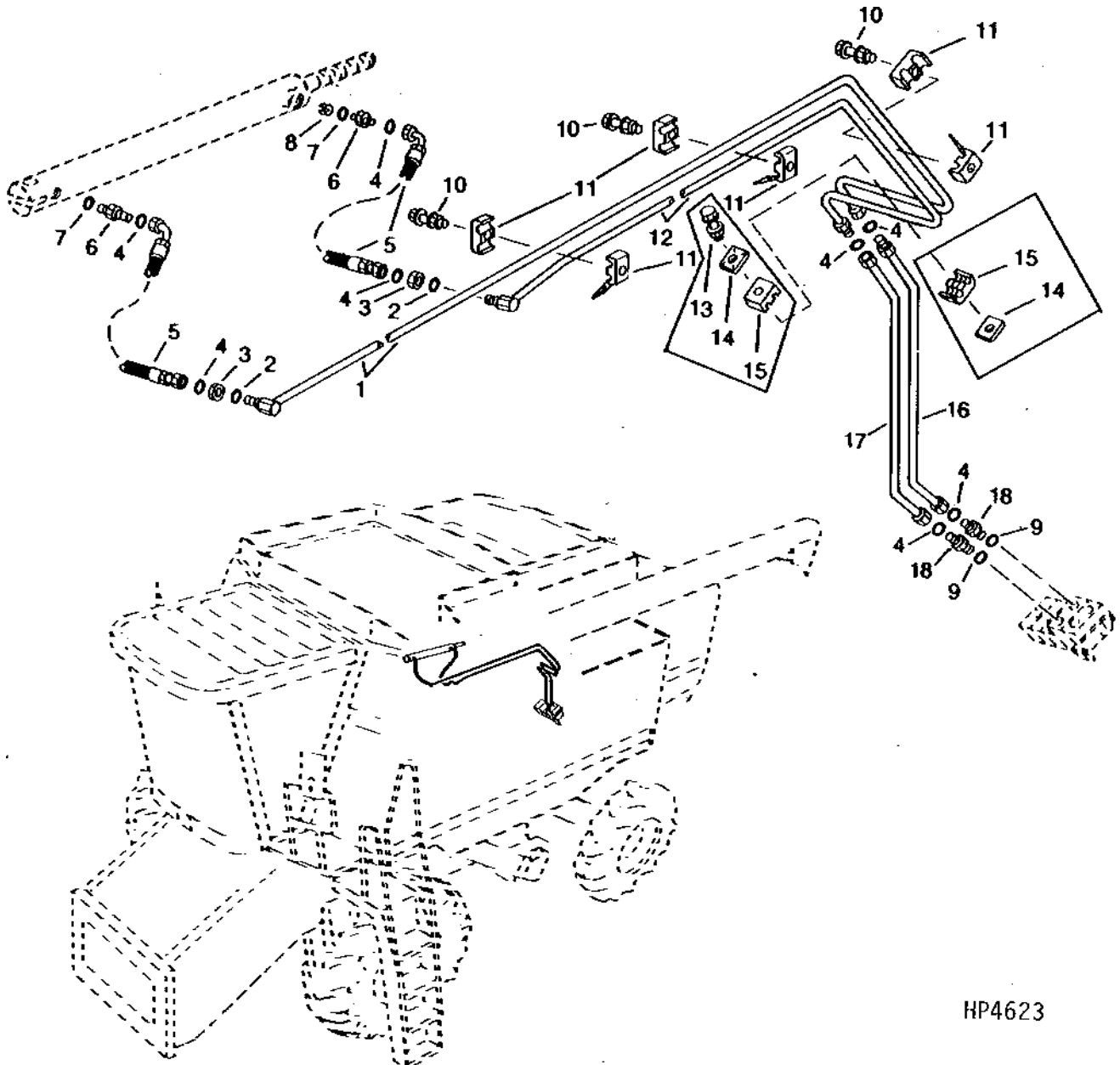
| KEY | PART NO. | PART NAME | QTY | SERIAL NO. | REMARKS |
|-----|----------|------------|-----|------------|---|
| 1 | M41029 | SNAP RING | 1 | | |
| 2 | AH131842 | SEAL | 1 | | |
| 3 | M48869 | WASHER | 1 | | 19.215 X 25.337 X 0.813 MM (0.757" X 0.998" X 0.032") |
| 4 | | SEAL | 1 | | |
| 5 | | GASKET | 1 | | |
| 6 | | GASKET | 1 | | |
| 7 | | WEAR PLATE | 1 | | |
| 8 | H80821 | O-RING | 2 | | 75.921 X 1.778 MM (2.989" X 0.070") |
| 9 | AH131176 | SEAL KIT | 1 | | |

5F5

HYDRAULICS

UNLOADING AUGER SWING CYLINDER LINES AND HOSES

HP4623 -UN-01JAN94



HP4623

5F6

HYDRAULICS

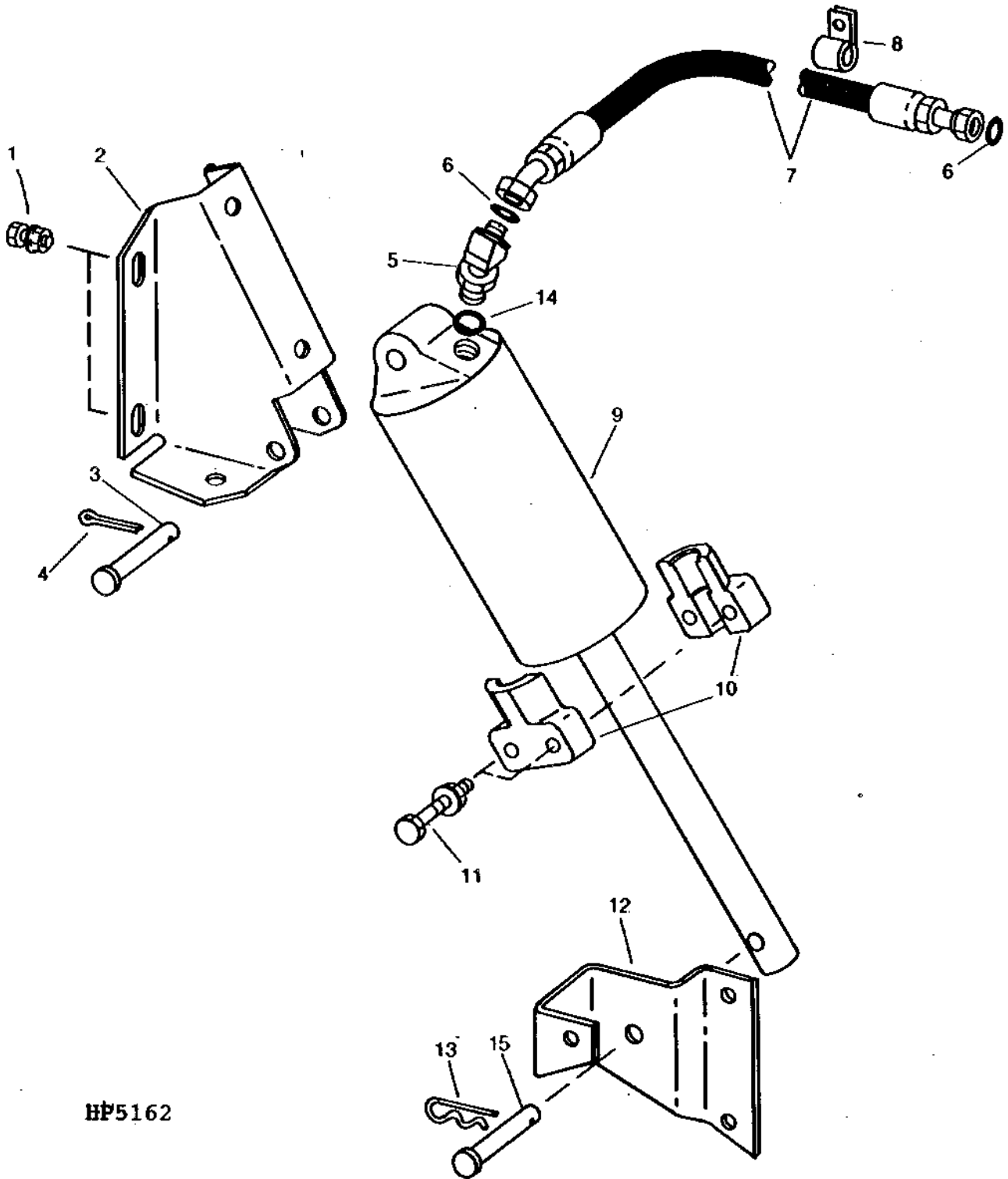
UNLOADING AUGER SWING CYLINDER LINES AND HOSES - CONTINUED

| KEY | PART NO. | PART NAME | QTY | SERIAL NO. | REMARKS |
|-----|----------|----------------|-----|------------|-------------------------------------|
| 1 | AH128641 | HYDRAULIC LINE | 1 | | (EXTEND) |
| 2 | 24M7114 | WASHER | 2 | | 19 X 30 X 4 MM |
| 3 | T81029 | NUT | 2 | | 17.475 MM (11/16") |
| 4 | T77613 | O-RING | 8 | | 9.246 X 1.778 MM (0.364" X 0.070") |
| 5 | AH130581 | HYDRAULIC HOSE | 2 | | 11/16" X 780 MM (30-3/4") X 11/16" |
| 6 | 38H1160 | ADAPTER | 2 | | |
| 7 | R26448 | O-RING | 2 | | 11.887 X 1.981 MM (0.468" X 5/64") |
| 8 | H133470 | ORIFICE | 1 | | |
| 9 | R26375 | O-RING | 2 | | 16.358 X 2.210 MM (0.644" X 0.087") |
| 10 | 19M7868 | SCREW | 3 | | M8 X 30 |
| | 14M7298 | FLANGE NUT | 3 | | M8 |
| 11 | H108745 | CLAMP | 6 | -640300 | |
| | H108745 | CLAMP | 3 | 640301- | |
| 12 | AH128642 | HYDRAULIC LINE | 1 | | (RETRACT) |
| 13 | 19M8291 | SCREW | 1 | -640300 | M8 X 35 |
| | 14M7298 | FLANGE NUT | 1 | -640300 | M8 |
| 14 | H121163 | COVER | 2 | -640300 | |
| 15 | H128515 | CLAMP | 2 | -640300 | |
| 16 | AH128855 | HYDRAULIC LINE | 1 | | (EXTEND) |
| 17 | AH128854 | HYDRAULIC LINE | 1 | | (RETRACT) |
| 18 | 38H1171 | ADAPTER | 2 | | |

5F7

GRAIN TANK UNLOADING DRIVE CYLINDER WITH MOUNTING AND HOSE

HP5162 -UN-01JAN94



HP5162

5F8

HYDRAULICS

GRAIN TANK UNLOADING DRIVE CYLINDER WITH MOUNTING AND HOSE - CONTINUED

| KEY | PART NO. | PART NAME | QTY | SERIAL NO. | REMARKS |
|-----|----------|--------------------|-----|------------|--------------------------------------|
| 1 | 19M7866 | SCREW | 4 | | M8 X 20 |
| | 14M7298 | FLANGE NUT | 4 | | M8 |
| 2 | H129588 | BRACKET | 1 | | |
| 3 | H98765 | PIN | 2 | -646819 | 12.700 X 60.500 MM (1/2" X 2.382") |
| | H98765 | PIN | 1 | 646820- | 12.700 X 60.500 MM (1/2" X 2.382") |
| 4 | 11M7059 | COTTER PIN | 1 | | 3.200 X 20 MM |
| 5 | 38H1045 | ELBOW FITTING | 1 | | |
| 6 | T77613 | O-RING | 2 | | 9.246 X 1.778 MM (0.364" X 0.070") |
| 7 | AH120160 | HYDRAULIC HOSE | 1 | | 11/16" X 1 050 MM (41-1/4") X 11/16" |
| 8 | AH89486 | CLIP | 1 | -662433 | (SUB AH96317) |
| | AH96317 | CLIP | 1 | | |
| 9 | AH116006 | HYDRAULIC CYLINDER | 1 | | |
| 10 | H133688 | STOP | 2 | | |
| 11 | 19M8319 | SCREW | 2 | | M8 X 50 |
| | 14M7298 | FLANGE NUT | 2 | | M8 |
| 12 | H133690 | BRACKET | 1 | | |
| 13 | J16931 | SPRING LOCKING PIN | 1 | | |
| 14 | R26448 | O-RING | 1 | | 11.887 X 1.981 MM (0.468" X 5/64") |
| 15 | H148340 | PIN | 1 | 646820- | 12.700 X 60.500 MM (1/2" X 2.382") |

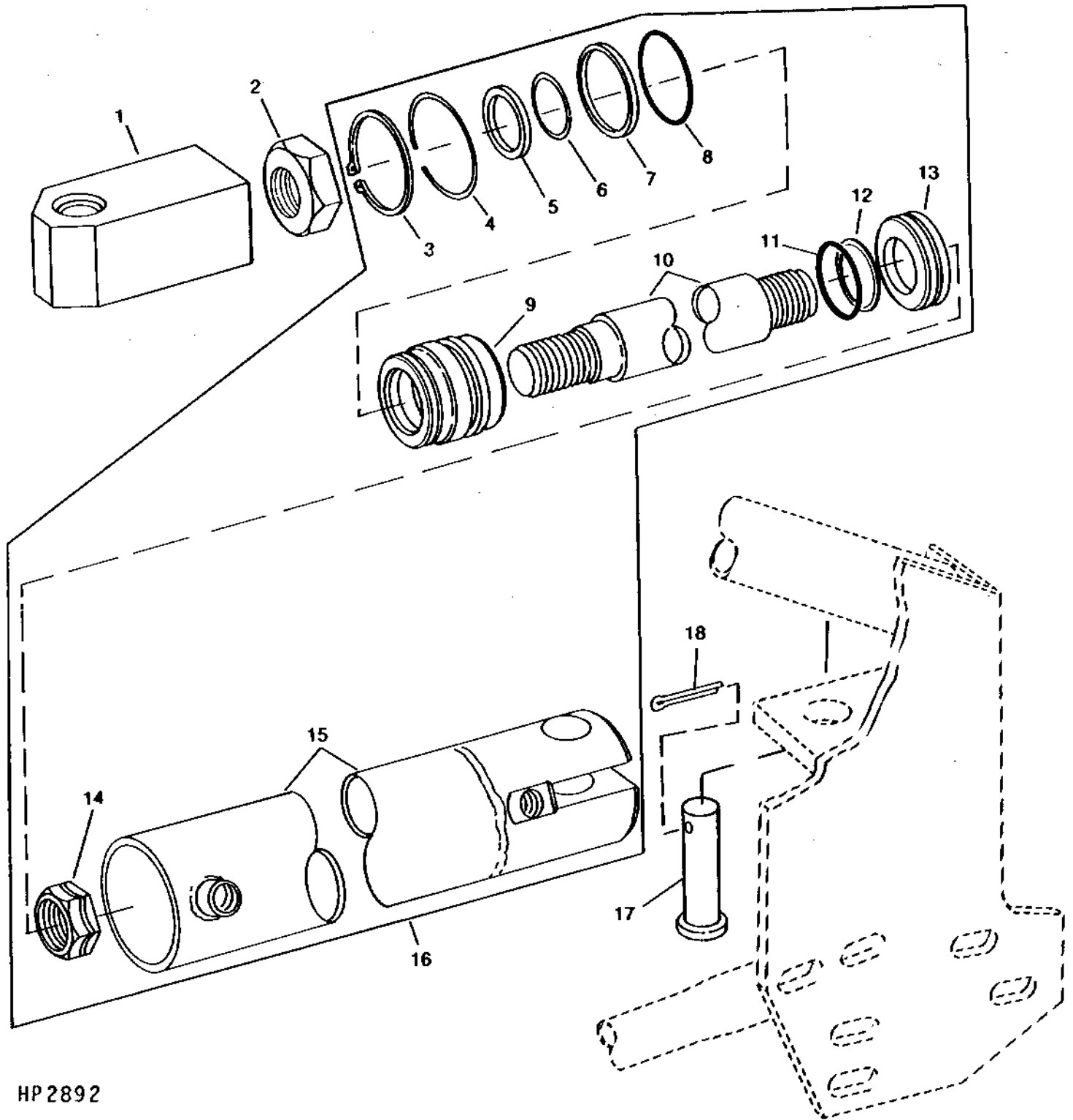
5F9

HYDRAULICS

UNLOADING AUGER SWING CYLINDER AND MOUNTING

(-650300)

HP2892 -UN-01JAN94



HP 2892

5F10

HYDRAULICS

UNLOADING AUGER SWING CYLINDER AND MOUNTING - CONTINUED
(-650300)

| KEY | PART NO. | PART NAME | QTY | SERIAL NO. | REMARKS |
|-----|----------|---------------------------|-----|--------------------------------------|----------------|
| 1 | H137225 | END | 1 | | |
| 2 | W13288 | NUT | 1 | 28.575 MM (1-1/8") | |
| 3 | | RING | 1 | (KIT AH129245) | |
| 4 | | SNAP RING | 1 | (KIT AH129245) | |
| 5 | | SEAL | 1 | (KIT AH129245) | |
| 6 | | SEAL | 1 | (KIT AH129245) | |
| 7 | | WASHER | 1 | (KIT AH129245) | |
| 8 | | O-RING | 1 | (KIT AH129245) | |
| 9 | | BEARING | 1 | | |
| 10 | H135154 | ROD | 1 | | |
| 11 | | O-RING | 1 | (KIT AH129245) | |
| 12 | | RING | 1 | (KIT AH129245) | |
| 13 | | PISTON | 1 | | |
| 14 | | LOCK NUT | 1 | | |
| 15 | | HYDRAULIC CYLINDER BARREL | 1 | | |
| 16 | AH132210 | HYDRAULIC CYLINDER | 1 | -650300 | (SUB AH142164) |
| | AH142164 | HYDRAULIC CYLINDER | 1 | | |
| 17 | R56930 | PIN | 1 | 18.948 X 69.850 MM (0.746" X 2-3/4") | |
| 18 | 11M7030 | COTTER PIN | 1 | 5 X 40 MM, (SUB FOR 11H218) | |
| .. | AH129245 | HYDRAULIC CYLINDER KIT | 1 | | SEAL REPAIR |

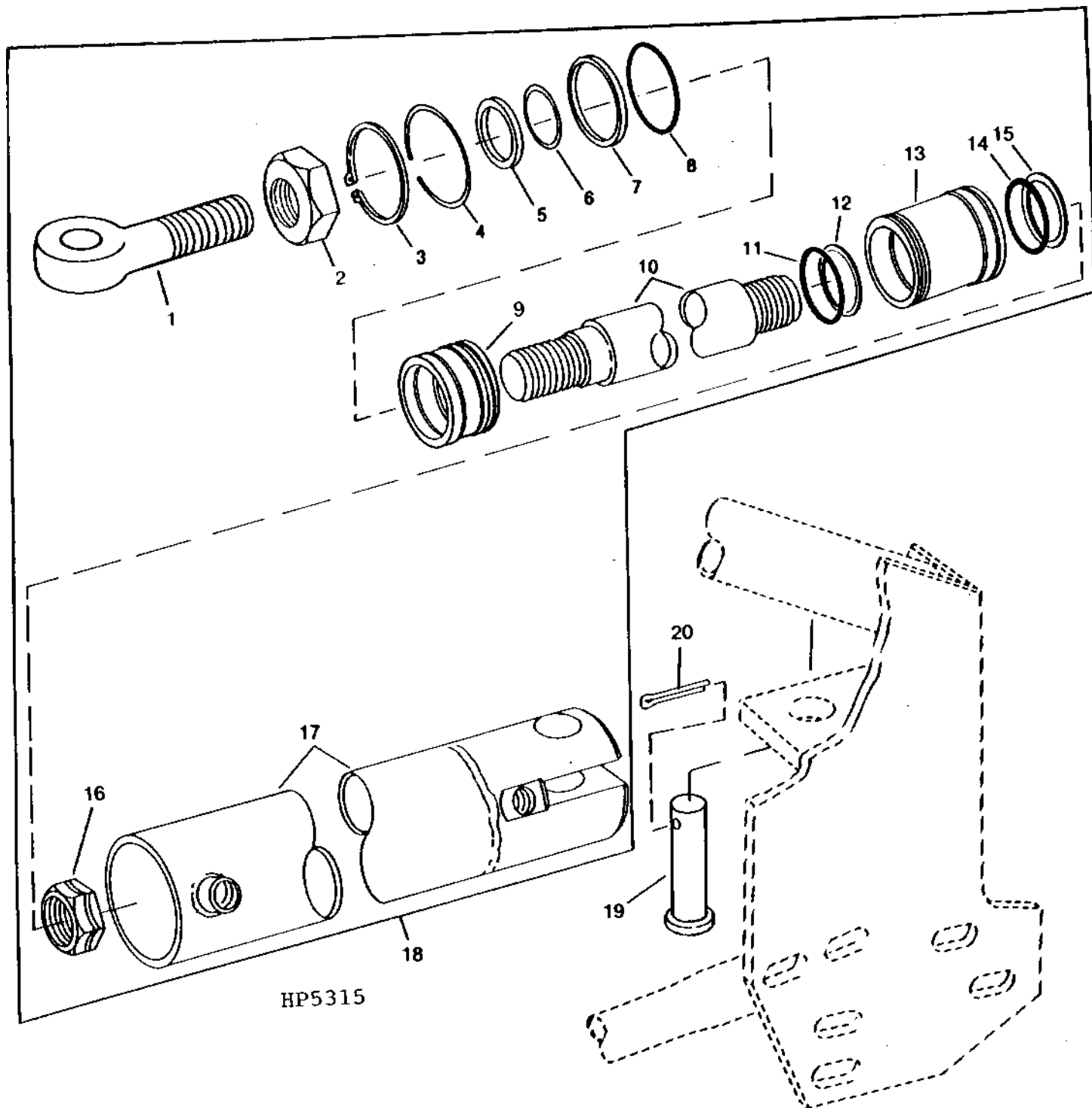
5F11

HYDRAULICS

UNLOADING AUGER SWING CYLINDER AND MOUNTING

(650301-657573)

HP5315 -UN-01JAN94



5F12

HYDRAULICS

**UNLOADING AUGER SWING CYLINDER AND MOUNTING - CONTINUED
(650301-657573)**

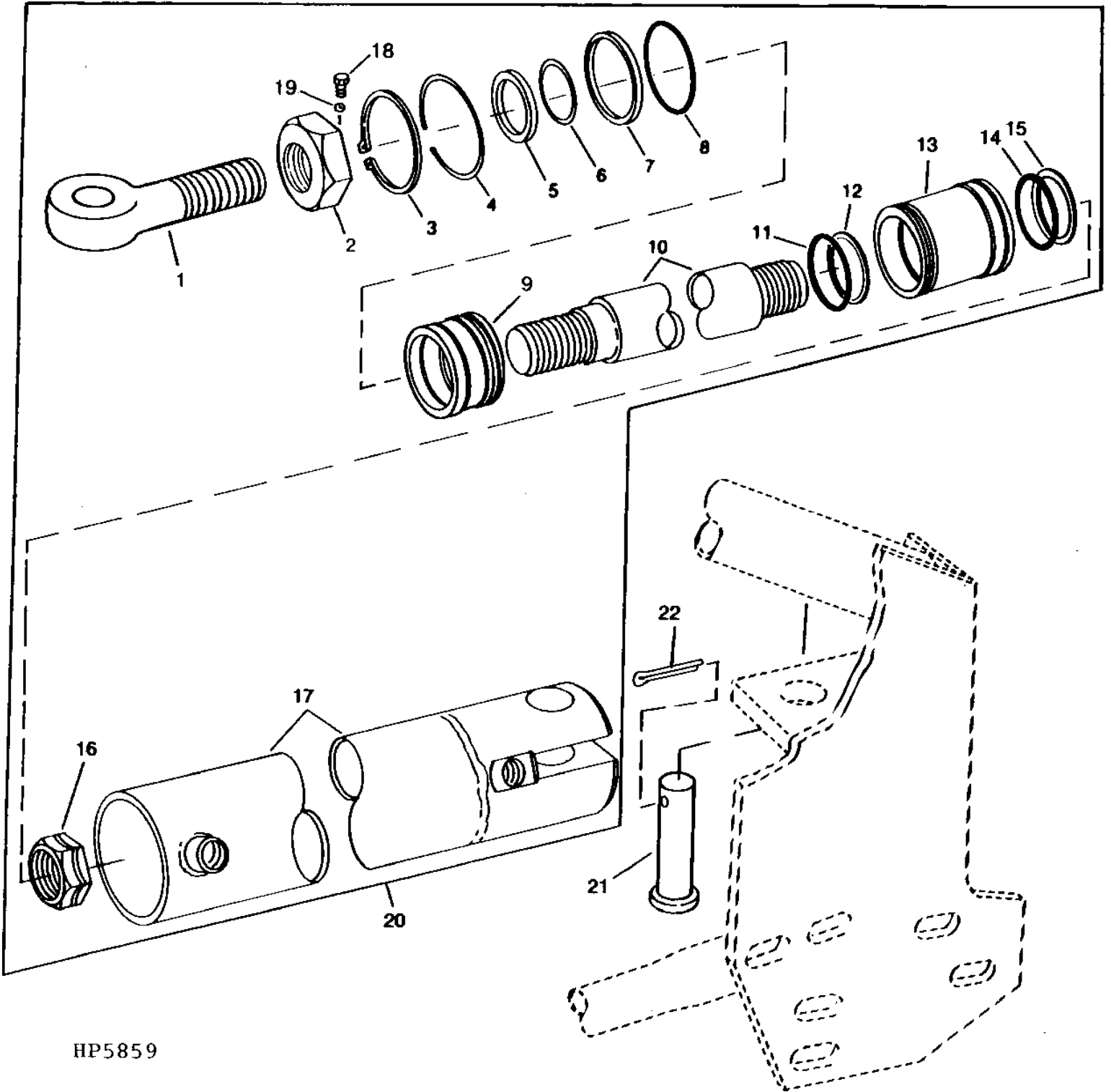
| KEY | PART NO. | PART NAME | QTY | SERIAL NO. | REMARKS |
|-----|----------|---------------------------|-----|--------------------------------------|---------|
| 1 | H148376 | EYEBOLT | 1 | | |
| 2 | H148375 | LOCK NUT | 1 | 19.050 MM (3/4") | |
| 3 | | RING | 1 | (KIT AH146043) | |
| 4 | | SNAP RING | 1 | (KIT AH146043) | |
| 5 | | SEAL | 1 | (KIT AH146043) | |
| 6 | | SEAL | 1 | (KIT AH146043) | |
| 7 | | WASHER | 1 | (KIT AH146043) | |
| 8 | | O-RING | 1 | (KIT AH146043) | |
| 9 | | BEARING | 1 | | |
| 10 | H148342 | ROD | 1 | | |
| 11 | | O-RING | 1 | (KIT AH146043) | |
| 12 | | RING | 1 | (KIT AH146043) | |
| 13 | | PISTON | 1 | | |
| 14 | | WASHER | 1 | | |
| 15 | | O-RING | 1 | | |
| 16 | | LOCK NUT | 1 | | |
| 17 | | HYDRAULIC CYLINDER BARREL | 1 | | |
| 18 | AH142164 | HYDRAULIC CYLINDER | 1 | | |
| 19 | R56930 | PIN | 1 | 18.948 X 69.850 MM (0.746" X 2-3/4") | |
| 20 | 11M7030 | COTTER PIN | 1 | 5 X 40 MM | |
| .. | AH146043 | KIT | 1 | (SUB FOR AH142108) | |

5F13

HYDRAULICS

UNLOADING AUGER SWING CYLINDER AND MOUNTING

(657574-)
HP5859 -UN-14OCT94



HP5859

5F14

HYDRAULICS

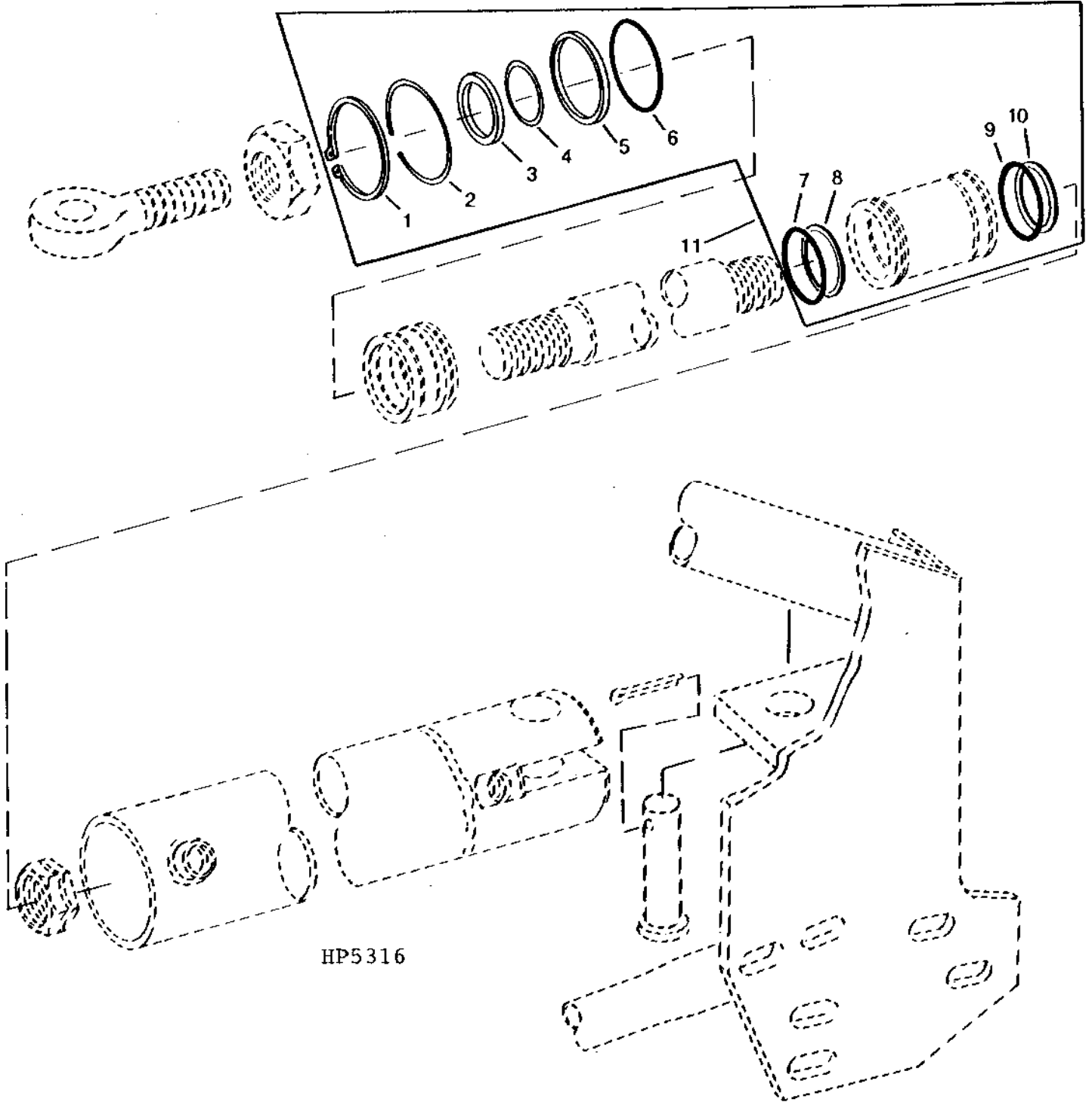
**UNLOADING AUGER SWING CYLINDER AND MOUNTING - CONTINUED
(657574-)**

| KEY | PART NO. | PART NAME | QTY | SERIAL NO. | REMARKS |
|-----|----------|---------------------------|-----|--------------------------------|---------|
| 1 | H150926 | EYEBOLT | 1 | | |
| 2 | 14H904 | NUT | 1 | 19.050 MM (3/4") | |
| 3 | | RING | 1 | (KIT AH146043) | |
| 4 | | SNAP RING | 1 | (KIT AH146043) | |
| 5 | | SEAL | 1 | (KIT AH146043) | |
| 6 | | SEAL | 1 | (KIT AH146043) | |
| 7 | | WASHER | 1 | (KIT AH146043) | |
| 8 | | O-RING | 1 | (KIT AH146043) | |
| 9 | | BEARING | 1 | (KIT AH146043) | |
| 10 | H150920 | ROD | 1 | | |
| 11 | | O-RING | 1 | (KIT AH146043) | |
| 12 | | RING | 1 | (KIT AH146043) | |
| 13 | | PISTON | 1 | | |
| 14 | | WASHER | 1 | | |
| 15 | | O-RING | 1 | | |
| 16 | | LOCK NUT | 1 | | |
| 17 | | HYDRAULIC CYLINDER BARREL | 1 | | |
| 18 | 22H897 | SET SCREW | 1 | 6.350 X 6.350 MM (1/4" X 1/4") | |
| 19 | L36230 | BALL | 1 | 4.500 MM (0.177") | |
| 20 | AH145030 | HYDRAULIC CYLINDER | 1 | | |
| 21 | R56930 | PIN | 1 | | |
| 22 | 11H218 | COTTER PIN | 1 | | |
| .. | AH146043 | KIT | 1 | SEAL KIT | |

5F15

HYDRAULICS

UNLOADING AUGER SWING CYLINDER KIT
HP5316 -UN-01JAN94



5F16

HYDRAULICS

UNLOADING AUGER SWING CYLINDER KIT - CONTINUED

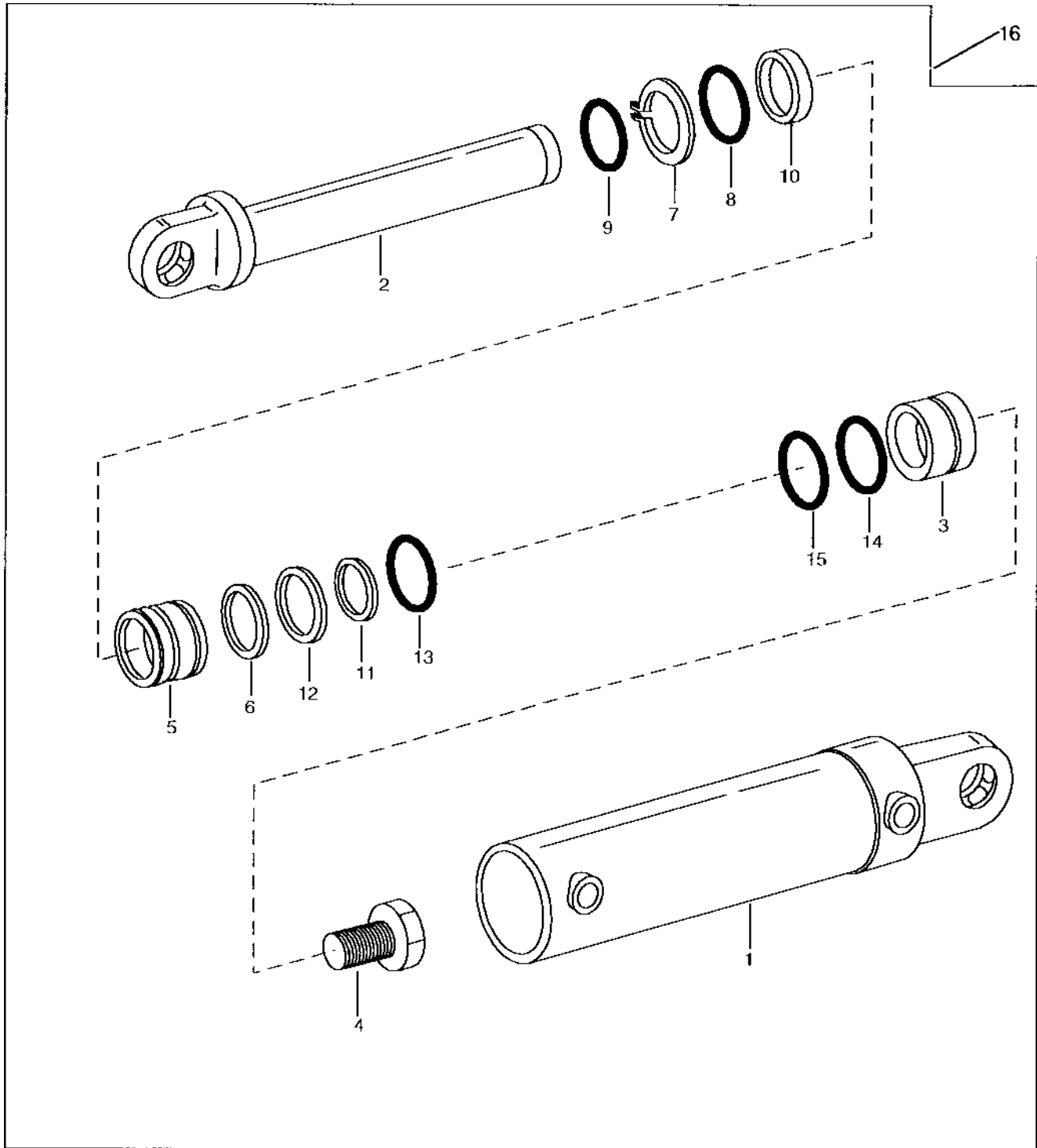
| KEY | PART NO. | PART NAME | QTY | SERIAL NO. | REMARKS |
|-----|----------------------|-------------------------------|--------|--------------------|--------------------|
| 1 | | RING | 1 | | |
| 2 | | SNAP RING | 1 | | |
| 3 | | SEAL | 1 | | |
| 4 | | SEAL | 1 | | |
| 5 | | WASHER | 1 | | |
| 6 | | O-RING | 1 | | |
| 7 | | O-RING | 1 | | |
| 8 | | RING | 1 | | |
| 9 | | O-RING | 1 | | |
| 10 | | RING | 1 | | |
| 11 | AH129245 AH146043 | HYDRAULIC CYLINDER KIT KIT | 1 1 | -650300 650301- | (SUB FOR AH142108) |

5F17

HYDRAULICS

TILT CYLINDER - CONTOUR MASTER

(660301-)
HP5972 -UN-26JUN95



HP5972

5F18

HYDRAULICS

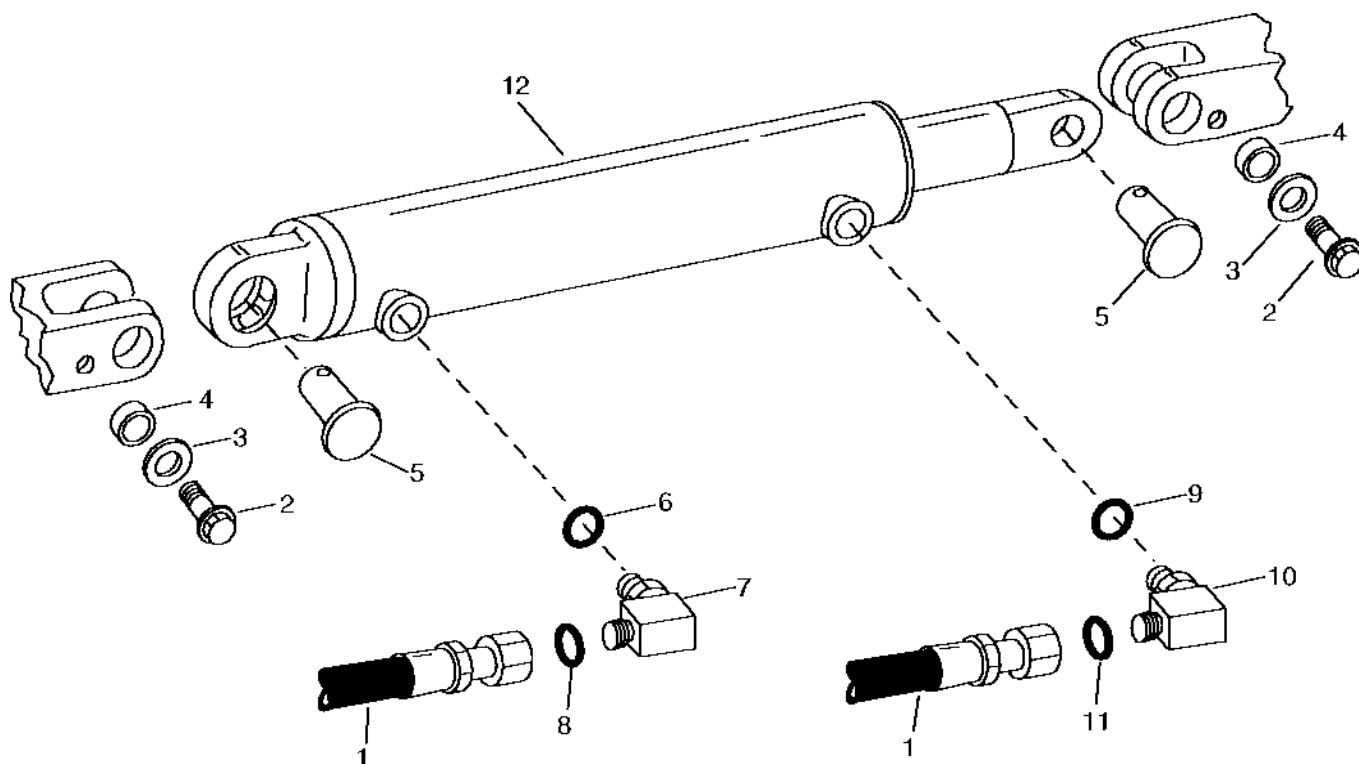
TILT CYLINDER - CONTOUR MASTER - CONTINUED
(660301-)

| KEY | PART NO. | PART NAME | QTY | SERIAL NO. | REMARKS |
|-----|----------|---------------------------|-----|------------|---|
| 1 | AH144480 | HYDRAULIC CYLINDER BARREL | 1 | | ALSO NEED (1) R28782 O-RING AND (1) 38H1003 ELBOW FITTING FOR MACHINES PRIOR TO -660314 |
| 2 | AH144482 | ROD | 1 | | |
| 3 | AH138200 | PISTON | 1 | | INCLUDES SEAL RING AND O-RING |
| 4 | 19H2672 | CAP SCREW | 1 | | 15.875 X 50.800 MM (5/8" X 2") |
| 5 | H151694 | HYDR. CYLINDER ROD GUIDE | 1 | | |
| 6 | R82571 | SNAP RING | 1 | | |
| 7 | R90565 | SNAP RING | 1 | | |
| 8 | R91726 | BACK-UP RING | 1 | | (A) |
| 9 | T22828 | O-RING | 1 | | (A) |
| 10 | | SEAL | 1 | | (A) |
| 11 | H151629 | WEAR RING | 1 | -661557 | (A) |
| 12 | R79117 | WASHER | 1 | | (A) |
| 13 | R94418 | O-RING | 1 | | (A) |
| 14 | H144342 | PISTON RING | 1 | | (A) |
| 15 | | O-RING | 1 | | (A) |
| 16 | AH143322 | HYDRAULIC CYLINDER | 1 | | |
| .. | AH167553 | HYDRAULIC CYLINDER KIT | 1 | | INCLUDES PARTS MARKED (A) |

5F19

TILT CYLINDER HOSES AND FITTINGS - CONTOUR MASTER

(660301-)
HP5950 -UN-01MAY95



HP5950

5F20

HYDRAULICS

TILT CYLINDER HOSES AND FITTINGS - CONTOUR MASTER - CONTINUED
(660301-)

| KEY | PART NO. | PART NAME | QTY | SERIAL NO. | REMARKS |
|-----|----------|--------------------|-----|---|--|
| 1 | AH143682 | HYDRAULIC HOSE | 2 | | |
| 2 | 19M7866 | SCREW | 2 | M8 X 20 | |
| 3 | 24H1291 | WASHER | 2 | 8.331 X 37.313 X 2.769 MM (21/64" X 1-15/32" X 7/64") | |
| 4 | 28H1511 | WASHER | 2 | 9.246 X 13.716 X 6.350 MM (0.364" X 0.540" X 1/4") | |
| 5 | R56930 | PIN | 2 | 18.948 X 69.850 MM (0.746" X 2-3/4") | |
| 6 | R26448 | O-RING | 1 | -660313 | 11.887 X 1.981 MM (0.468" X 5/64") |
| | R28782 | O-RING | 1 | 660314- | 8.915 X 1.829 MM (0.351" X 0.072") |
| 7 | 38H1168 | ADAPTER | 1 | -660313 | |
| | T77814 | O-RING | 1 | -660313 | 7.645 X 1.778 MM (0.301" X 0.070") |
| | 38H1093 | ELBOW FITTING | 1 | -660313 | |
| | 38H1003 | ELBOW FITTING | 1 | 660614- | |
| 8 | T77814 | O-RING | 1 | | 7.645 X 1.778 MM (0.301" X 0.070") |
| 9 | R26448 | O-RING | 1 | | 11.887 X 1.981 MM (0.468" X 5/64") |
| 10 | 38H1004 | ELBOW FITTING | 1 | | |
| 11 | T77613 | O-RING | 1 | | 9.246 X 1.778 MM (0.364" X 0.070") |
| 12 | AH143322 | HYDRAULIC CYLINDER | 1 | | ALSO NEED (1) R28782 O-RING AND (1)38H1003 ELBOW FITTING FOR MACHINES PRIOR TO -660314 |

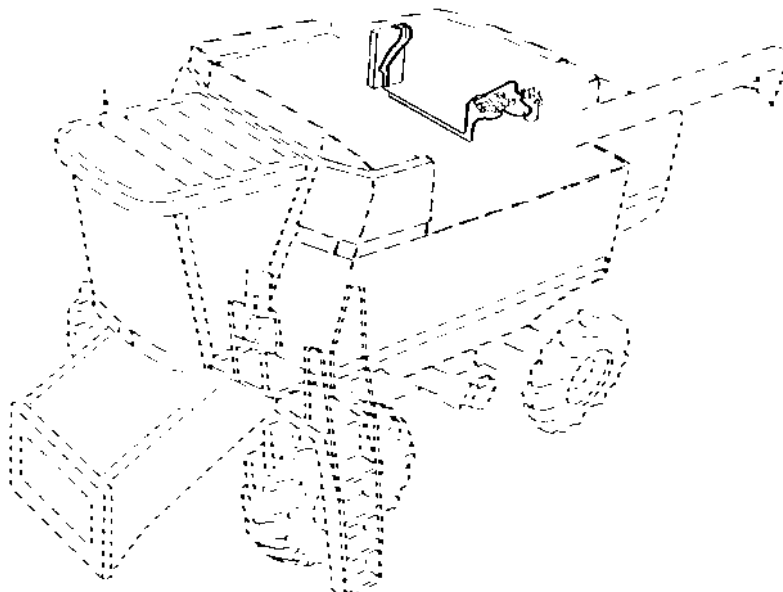
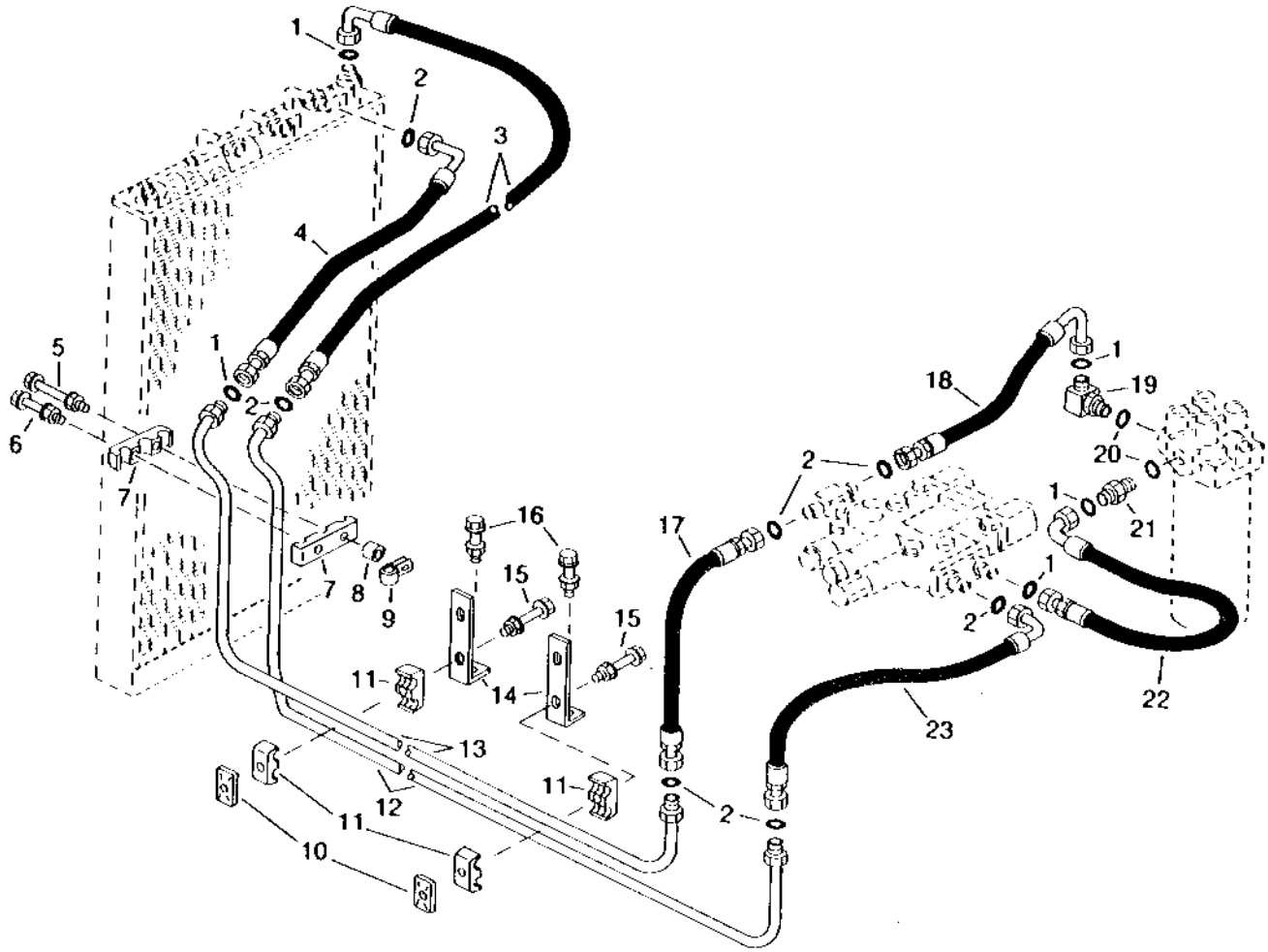
5F21

HYDRAULICS

WET CLUTCH OIL COOLER LINES AND HOSES

(-640300)

HP3214 -UN-01JAN94



HP 3214

5F22

HYDRAULICS

WET CLUTCH OIL COLLER LINES AND HOSES - CONTINUED
(-640300)

| KEY | PART NO. | PART NAME | QTY | SERIAL NO. | REMARKS |
|-----|----------|----------------|-----|------------|--|
| 1 | T77857 | O-RING | 5 | | 12.421 X 1.778 MM (0.489" X 0.070") |
| 2 | T77932 | O-RING | 7 | | 15.596 X 1.778 MM (0.614" X 0.070") |
| 3 | AH128773 | HYDRAULIC HOSE | 1 | | 13/16" X 830 MM (32-3/4") X 13/16" |
| 4 | AH128774 | HYDRAULIC HOSE | 1 | | 1" X 650 MM (25-1/2") X 1" |
| 5 | 19M8039 | SCREW | 1 | | M8 X 80 |
| | 14M7298 | FLANGE NUT | 1 | | M8 |
| 6 | 19M7801 | SCREW | 1 | | M8 X 60 |
| | 14M7298 | FLANGE NUT | 1 | | M8 |
| 7 | H130452 | CLAMP | 2 | | |
| 8 | 28H1720 | BUSHING | 1 | | 10.744 X 17.145 X 21.438 MM (0.423" X 0.675" X 27/32") |
| 9 | R72659 | CLAMP | 1 | | |
| 10 | H121168 | PLATE | 2 | | |
| 11 | H120847 | CLAMP | 4 | | |
| 12 | AH129418 | HYDRAULIC LINE | 1 | | (GRAIN ONLY) |
| 13 | AH129416 | HYDRAULIC LINE | 1 | | (GRAIN ONLY) |
| 14 | H130451 | BRACKET | 2 | | |
| 15 | 19M8319 | SCREW | 2 | | M8 X 50 |
| | 14M7298 | FLANGE NUT | 2 | | M8 |
| 16 | 19M7866 | SCREW | 2 | | M8 X 20 |
| | 14M7298 | FLANGE NUT | 2 | | M8 |
| 17 | AH128778 | HYDRAULIC HOSE | 1 | | 1" X 475 MM (18-3/4") X 1" |
| 18 | AH128779 | HYDRAULIC HOSE | 1 | | 1" X 275 MM (10-3/4") X 13/16" |
| 19 | 38H1013 | ELBOW FITTING | 1 | | |
| 20 | U12547 | O-RING | 2 | | 23.470 X 2.946 MM (0.924" X 0.116") |
| 21 | 38H1175 | ADAPTER | 1 | | |
| 22 | AH128780 | HYDRAULIC HOSE | 1 | | 13/16" X 725 MM (28-1/2") X 13/16" |
| 23 | AH128777 | HYDRAULIC HOSE | 1 | | 1" X 500 MM (19-3/4") X 1" |

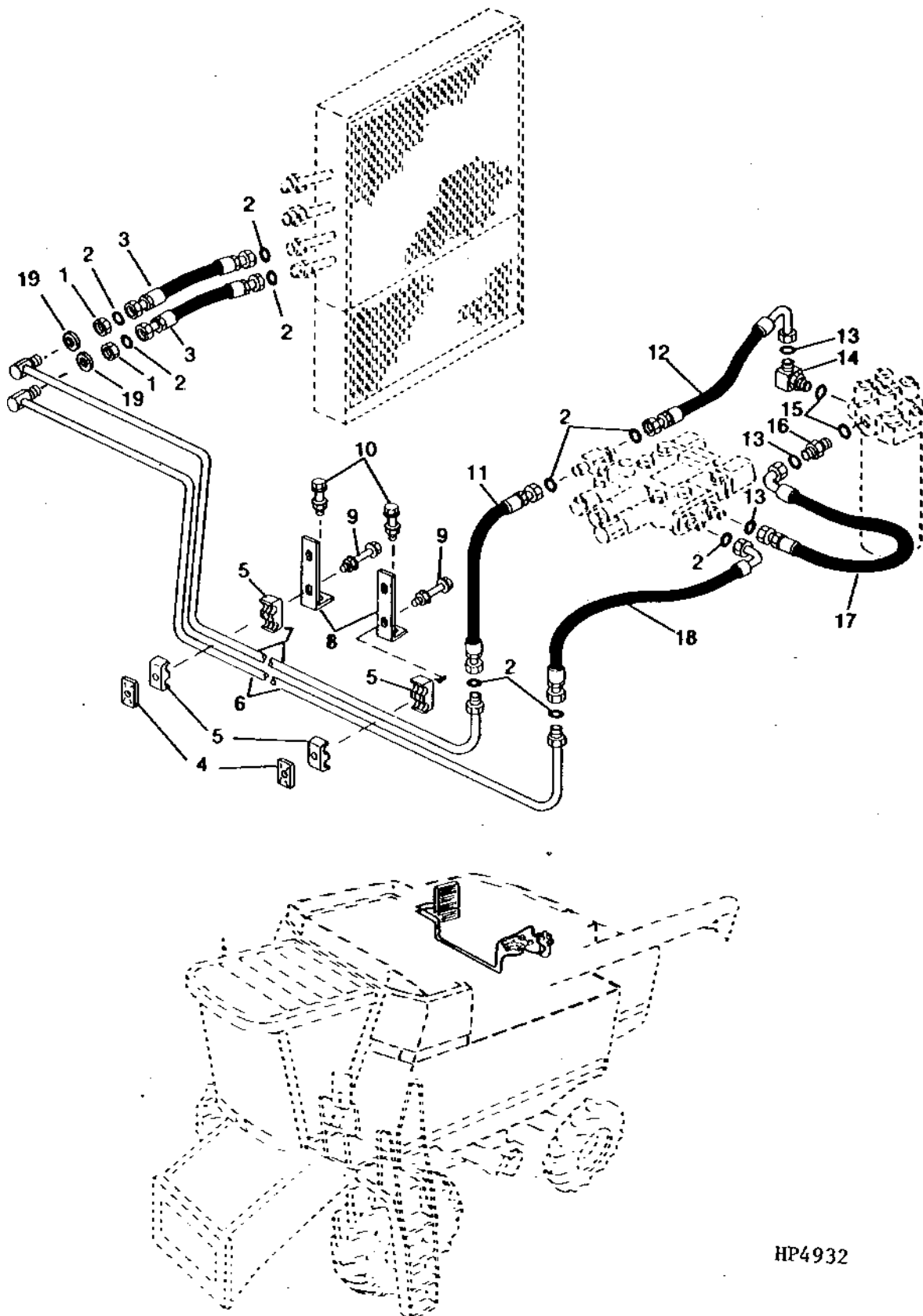
5F23

HYDRAULICS

WET CLUTCH OIL COOLER LINES AND HOSES

(640300-665301)

HP4932 -UN-01JAN94



HP4932

5F24

HYDRAULICS

WET CLUTCH OIL COOLER LINES AND HOSES - CONTINUED
(640301-665300)

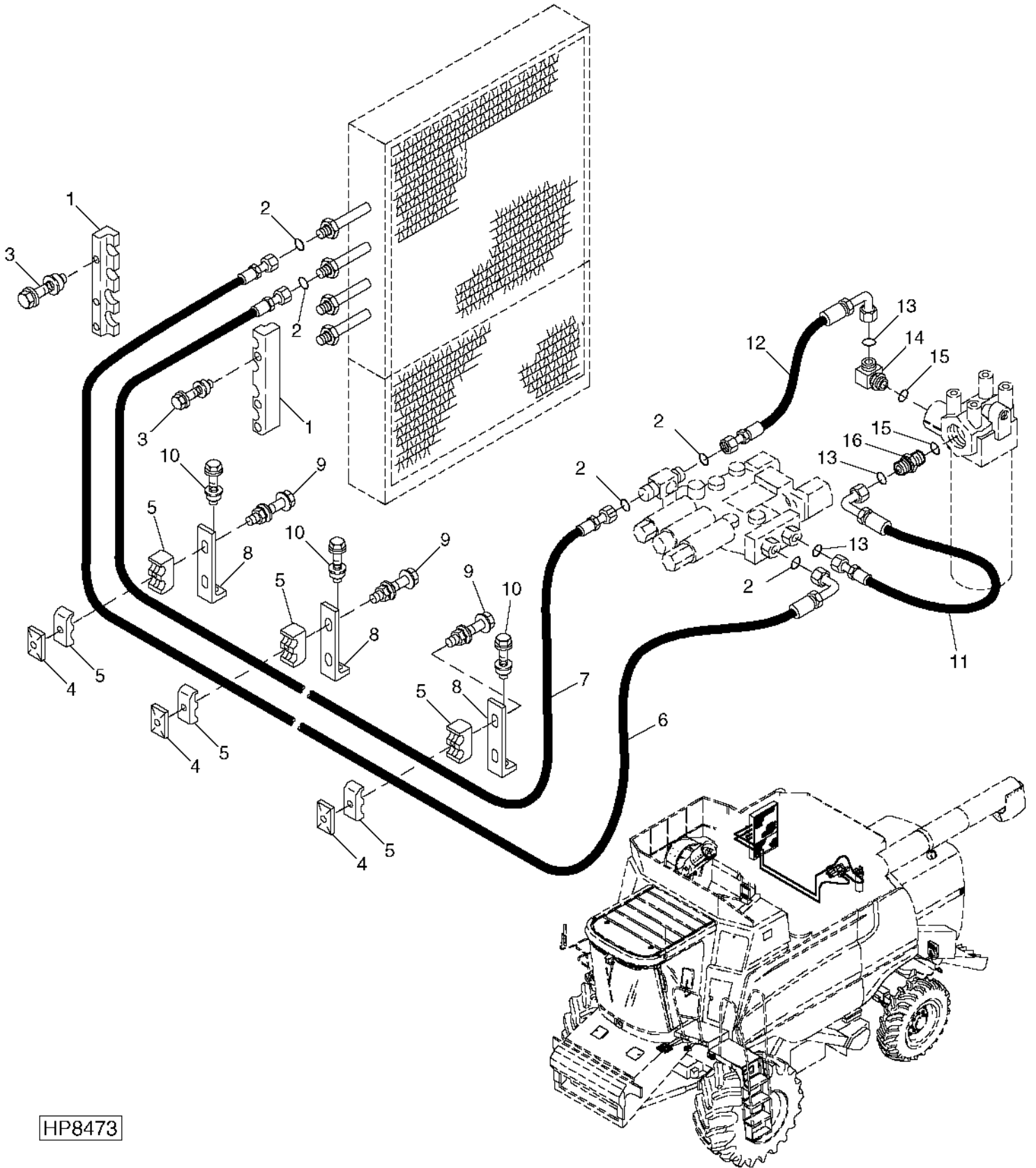
| KEY | PART NO. | PART NAME | QTY | SERIAL NO. | REMARKS |
|-----|----------|----------------|-----|------------|--|
| 1 | T80306 | NUT | 2 | | 25.400 MM (1") |
| 2 | T77932 | O-RING | 9 | | 15.596 X 1.778 MM (0.614" X 0.070") |
| 3 | AH128992 | HYDRAULIC HOSE | 2 | | 1" X 265 MM (10-1/2") X 1" |
| 4 | H121168 | PLATE | 2 | | |
| 5 | H120847 | CLAMP | 4 | | |
| 6 | AH128781 | HYDRAULIC LINE | 1 | | |
| 7 | AH128783 | HYDRAULIC LINE | 1 | | |
| 8 | H130451 | BRACKET | 2 | | |
| 9 | 19M8319 | SCREW | 2 | | M8 X 50 |
| | 14M7298 | FLANGE NUT | 2 | | M8 |
| 10 | 19M7866 | SCREW | 2 | | M8 X 20 |
| | 14M7298 | FLANGE NUT | 2 | | M8 |
| 11 | AH128778 | HYDRAULIC HOSE | 1 | | 1" X 475 MM (18-3/4") X 1" |
| 12 | AH128779 | HYDRAULIC HOSE | 1 | | 1" X 275 MM (10-3/4") X 13/16" |
| 13 | T77857 | O-RING | 3 | | 12.421 X 1.778 MM (0.489" X 0.070") |
| 14 | 38H1013 | ELBOW FITTING | 1 | | |
| 15 | U12547 | O-RING | 2 | | 23.470 X 2.946 MM (0.924" X 0.116") |
| 16 | 38H1175 | ADAPTER | 1 | | |
| 17 | AH128780 | HYDRAULIC HOSE | 1 | | 13/16" X 725 MM (28-1/2") X 13/16" |
| 18 | AH128777 | HYDRAULIC HOSE | 1 | | 1" X 500 MM (19-3/4") X 1" |
| 19 | 24H1462 | WASHER | 2 | | 26.975 X 38.100 X 1.524 MM (1-1/16" X 1-1/2" X 0.060") |

5G1

HYDRAULICS

WET CLUTCH OIL COOLER LINES AND HOSES

(665301-)
HP8473 -UN-21APR99



HP8473

5G2

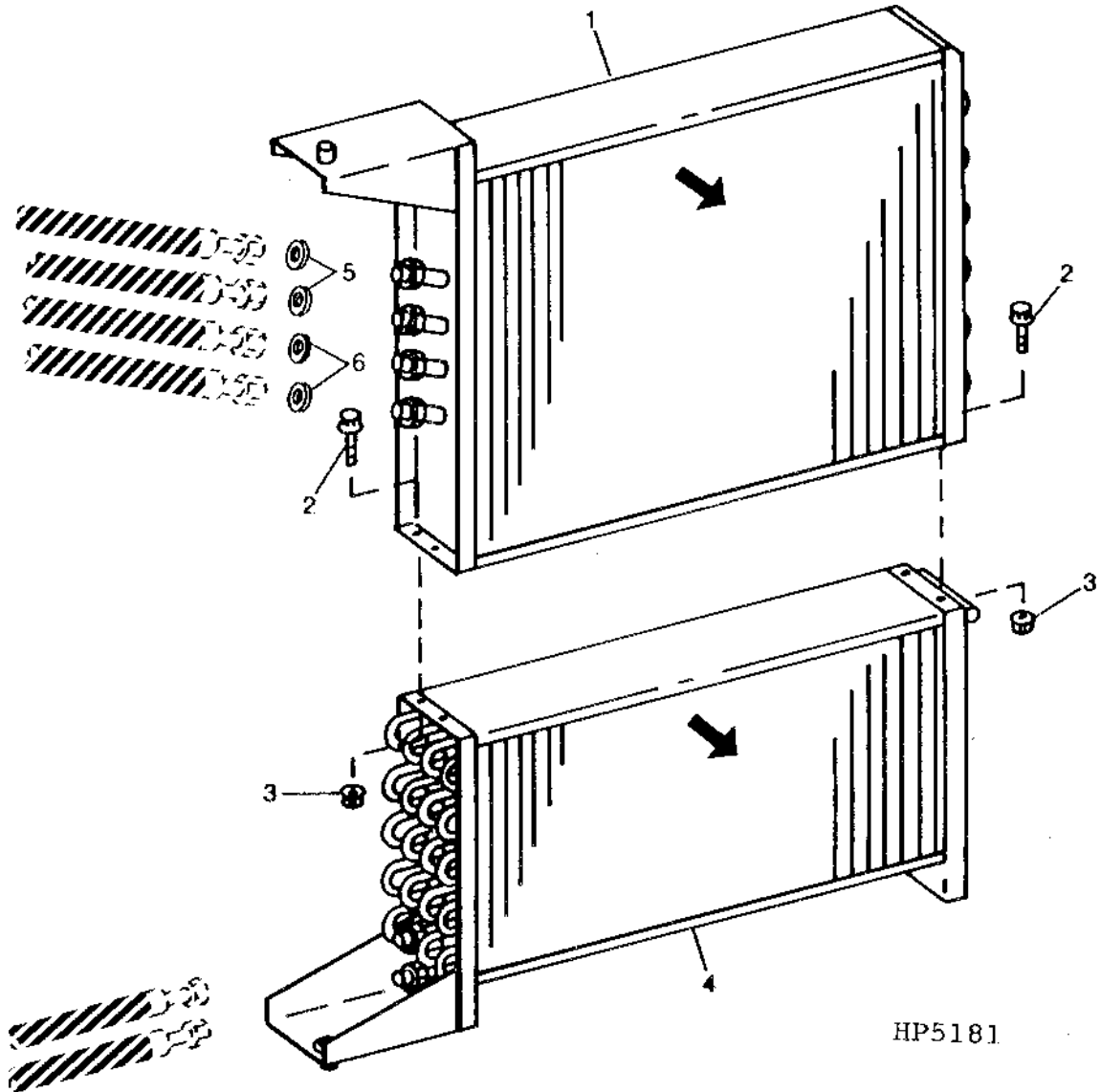
HYDRAULICS

WET CLUTCH OIL COOLER LINES AND HOSES - CONTINUED
(665301-)

| KEY | PART NO. | PART NAME | QTY | SERIAL NO. | REMARKS |
|-----|----------|----------------|-----|------------|-------------------------------------|
| 1 | H151585 | CLAMP | 2 | | |
| 2 | T77932 | O-RING | 5 | | 15.596 X 1.778 MM (0.614" X 0.070") |
| 3 | 19M8317 | SCREW | 6 | | M8 X 40 |
| | 14M7298 | FLANGE NUT | 3 | | M8 |
| 4 | H112567 | PLATE | 3 | | |
| 5 | H150983 | CLAMP | 6 | | |
| 6 | AH145240 | HYDRAULIC HOSE | 1 | | |
| 7 | AH145242 | HYDRAULIC HOSE | 1 | | |
| 8 | H150980 | BRACKET | 3 | | |
| 9 | 19M7979 | SCREW | 3 | | M8 X 55 |
| | 14M7298 | FLANGE NUT | 3 | | M8 |
| 10 | 19M7866 | SCREW | 3 | | M8 X 20 |
| | 14M7298 | FLANGE NUT | 3 | | M8 |
| 11 | AH128780 | HYDRAULIC HOSE | 1 | | 13/16" X 725 MM (28-1/2") X 13/16" |
| 12 | AH128779 | HYDRAULIC HOSE | 1 | | 1" X 275 MM (10-3/4") X 13/16" |
| 13 | T77857 | O-RING | 3 | | 12.421 X 1.778 MM (0.489" X 0.070") |
| 14 | 38H1013 | ELBOW FITTING | 1 | | |
| 15 | U12547 | O-RING | 2 | | 23.470 X 2.946 MM (0.924" X 0.116") |
| 16 | 38H1175 | ADAPTER | 1 | | |

5G3

OIL COOLER AND A/C CONDENSER
HP5181 -UN-01JAN94



HP5181

5G4

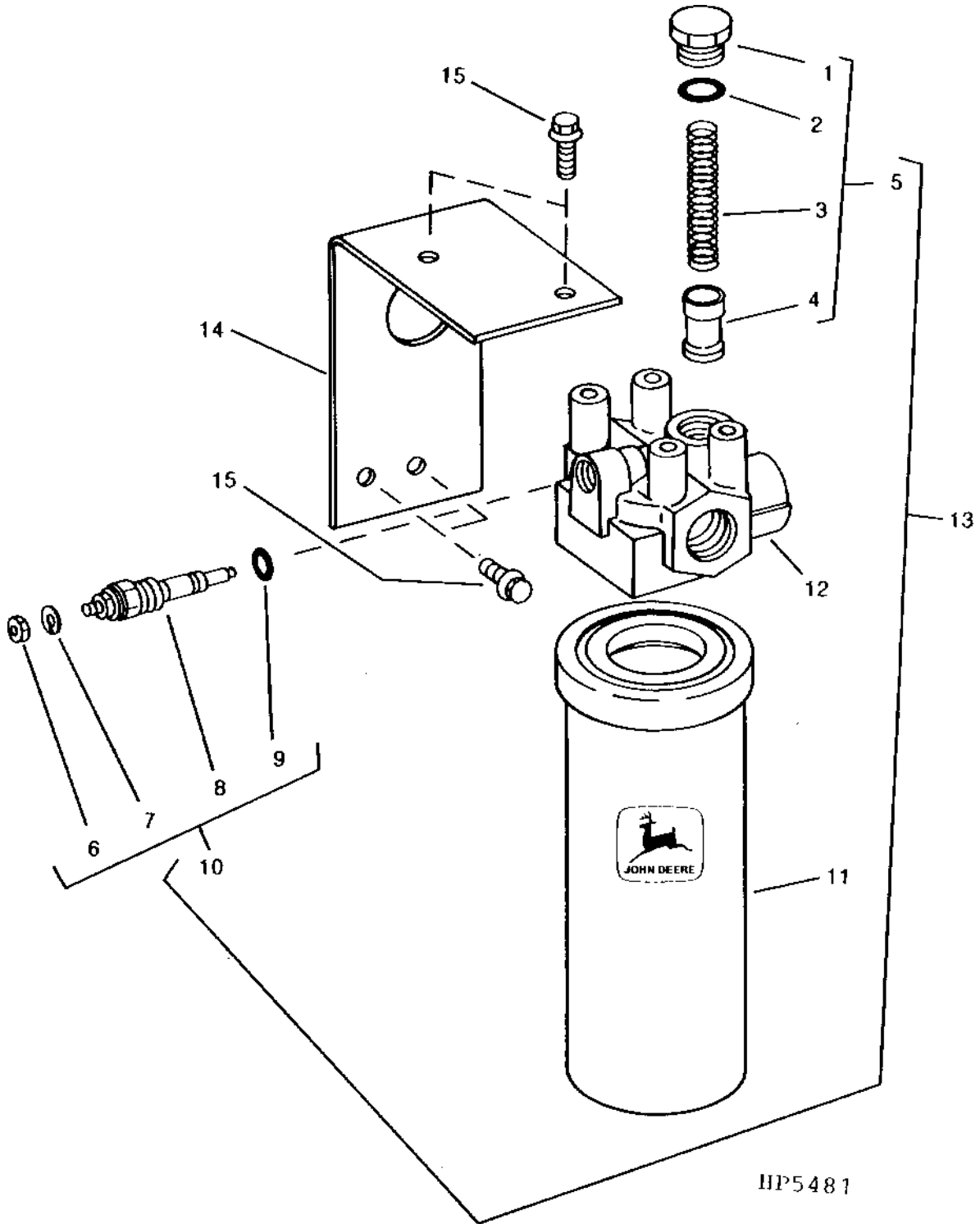
HYDRAULICS

OIL COOLER AND A/C CONDENSER - CONTINUED

| KEY | PART NO. | PART NAME | QTY | SERIAL NO. | REMARKS |
|-----|----------|-----------------|-----|------------|---|
| 1 | AH140472 | OIL COOLER | 1 | | (SUB FOR AH120854) USED W/253 HP ENGINE ONLY |
| | AH149588 | VAPOR CONDENSER | 1 | | (SUB FOR AH145232) |
| | AH150219 | OIL COOLER | 1 | | (SUB FOR AH120836 OR AH136172) OIL COOLER AND |
| | | | | | CONDENSER TOGETHER, USED WITH 190 HP ENGINE |
| 2 | 19M7774 | SCREW | 4 | | M6 X 12 |
| | 19M7774 | SCREW | 3 | | M6 X 12, (LEAVE FRONT L.H. HOLE EMPTY) |
| 3 | 14M7303 | FLANGE NUT | 4 | | M6 |
| 4 | AH149618 | VAPOR CONDENSER | 1 | | (SUB FOR AH115321 OR AH140471) EVAPORATOR |
| | AH150219 | OIL COOLER | 1 | | (SUB FOR AH120836 OR AH136172) OIL COOLER AND |
| | | | | | CONDENSER TOGETHER, USED WITH 190 HP ENGINE |
| 5 | 24H1534 | WASHER | 2 | 645400- | 1-17/32" X 2-1/16" X 0.060" |
| 6 | 24H1462 | WASHER | 2 | 645400- | 1-1/16" X 1-1/2" X 0.060" |

5G5

ENGINE GEARCASE OIL FILTER ASSEMBLY
HP5481 -UN-01JAN94



5G6

HYDRAULICS

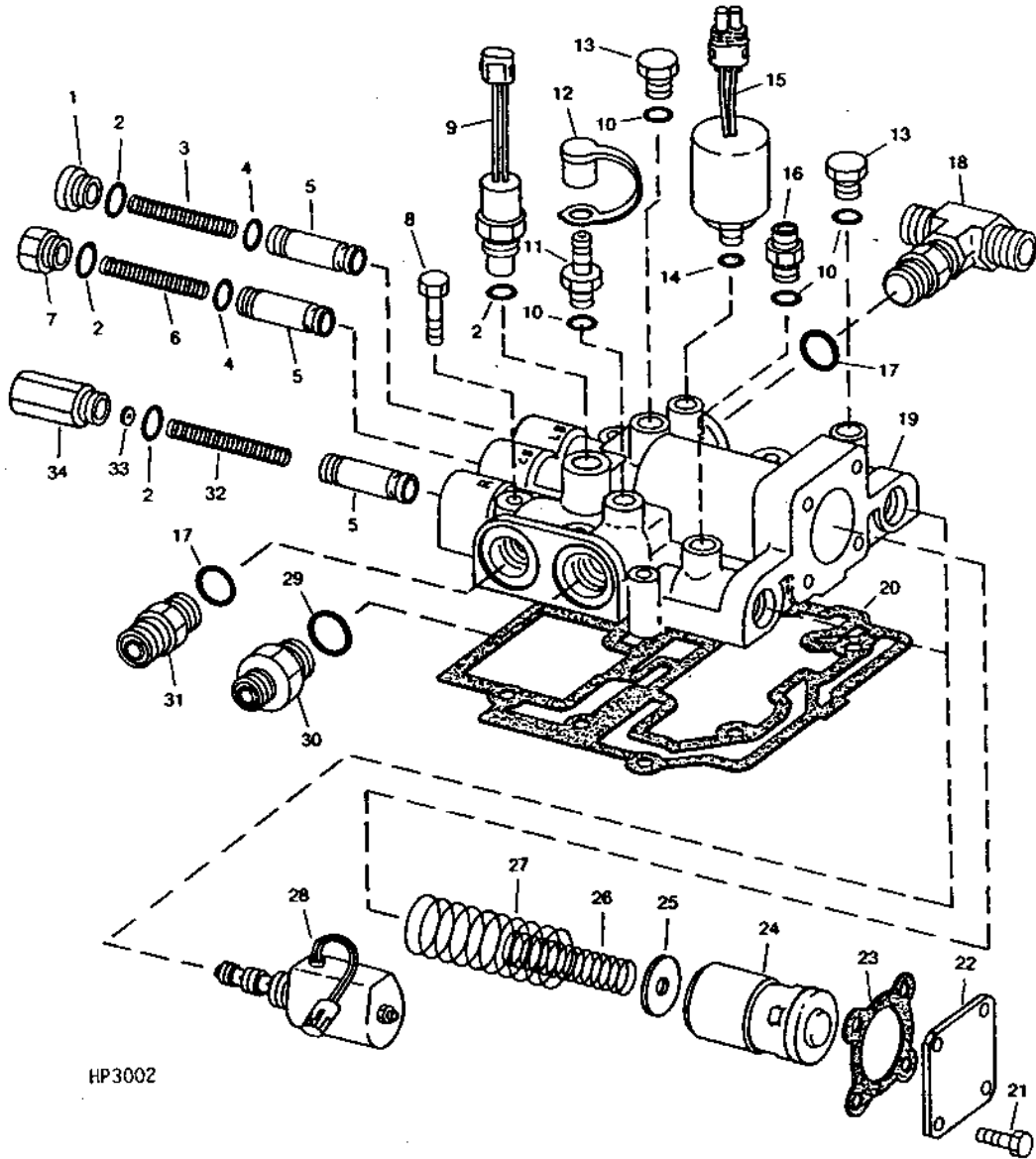
ENGINE GEARCASE OIL FILTER ASSEMBLY - CONTINUED

| KEY | PART NO. | PART NAME | QTY | SERIAL NO. | REMARKS |
|-----|----------|------------------|-----|------------|---|
| 1 | | PLUG | 1 | | |
| 2 | R26906 | O-RING | 1 | | 19.177 X 2.464 MM (0.755" X 0.097") |
| 3 | | SPRING | 1 | | |
| 4 | | PISTON | 1 | | |
| 5 | AH128451 | VALVE | 1 | | |
| 6 | 14H631 | NUT | 1 | | 0.190" |
| 7 | 12H295 | LOCK WASHER | 1 | | 0.190" |
| 8 | | SENDER | 1 | | |
| 9 | R26448 | O-RING | 1 | | 11.887 X 1.981 MM (0.468" X 5/64") |
| 10 | AH128450 | TOUCH SWITCH | 1 | | |
| 11 | AH128449 | HYDRAULIC FILTER | 1 | | |
| 12 | AH139434 | HYDRAULIC FILTER | 1 | | |
| 13 | AH128448 | HYDRAULIC FILTER | 1 | -651924 | WET CLUTCH, (SUB AH139434 AND AH128449) |
| | AH139434 | HYDRAULIC FILTER | 1 | | |
| | AH128449 | HYDRAULIC FILTER | 1 | | |
| 14 | H133675 | BRACKET | 1 | | |
| 15 | 19M7784 | SCREW | 4 | | M10 X 20 |

5G7

HYDRAULICS

ENGINE GEARCASE PRESSURE REGULATOR HP3002 -UN-10OCT88



HP3002

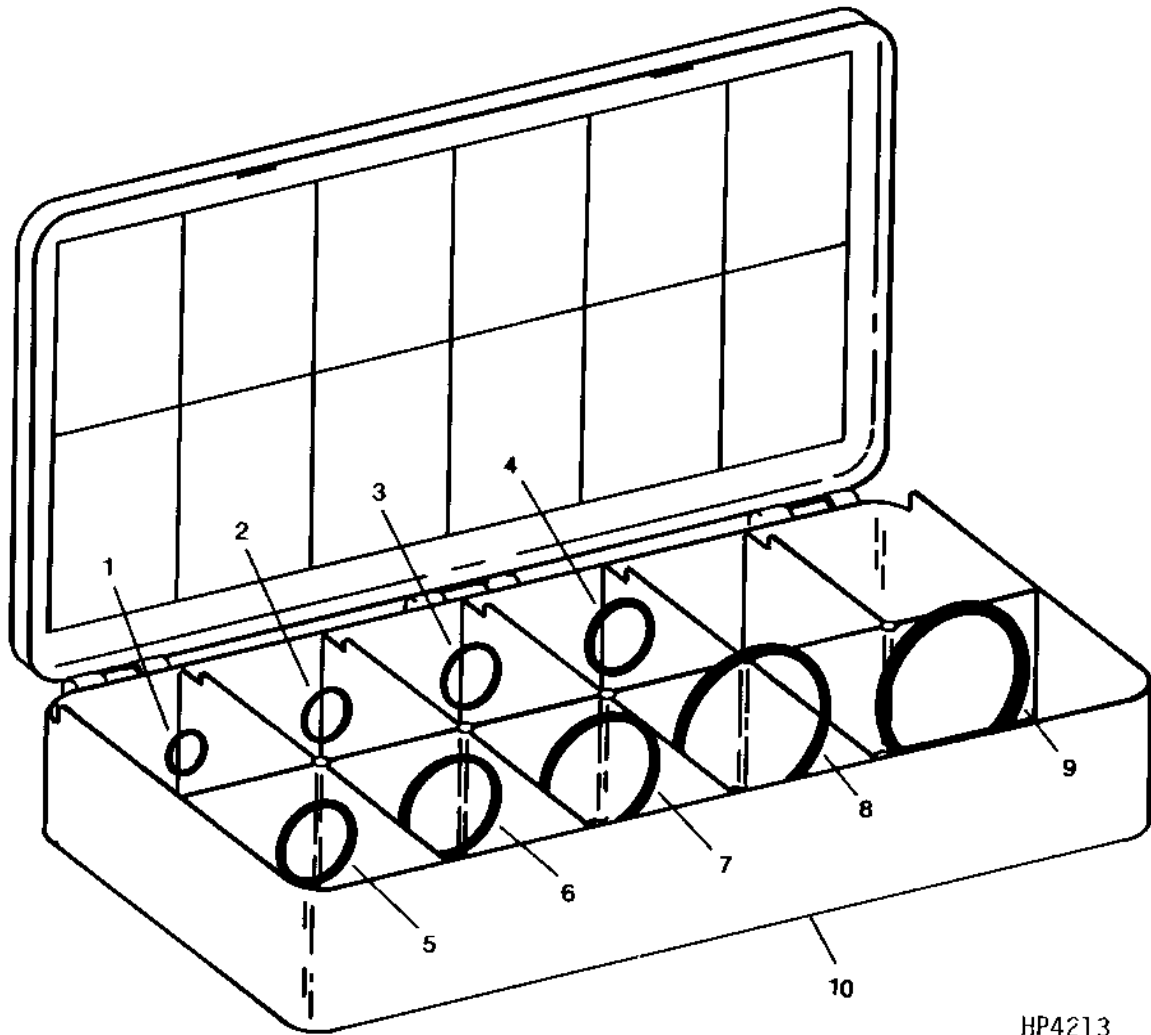
ENGINE GEARCASE PRESSURE REGULATOR - CONTINUED

| KEY | PART NO. | PART NAME | QTY | SERIAL NO. | REMARKS |
|-----|----------|----------------------------|-----|------------|-------------------------------------|
| 1 | R33138 | FITTING | 1 | | |
| 2 | R26375 | O-RING | 4 | | 16.358 X 2.210 MM (0.644" X 0.087") |
| 3 | H89241 | SPRING | 1 | | |
| 4 | R28776 | O-RING | 2 | | 12.421 X 1.778 MM (0.489" X 0.070") |
| 5 | R63980 | VALVE | 3 | | |
| 6 | R56782 | SPRING | 1 | | |
| 7 | H126026 | FITTING | 1 | | |
| 8 | 19M7979 | SCREW | 7 | | M8 X 55 |
| 9 | AH116105 | SWITCH | 1 | | GEARCASE TEMPERATURE SWITCH |
| | R78059 | ELECTRICAL PLUG | 1 | | (PKG OF 40) |
| 10 | R26448 | O-RING | 4 | | 11.887 X 1.981 MM (0.468" X 5/64") |
| 11 | AH125760 | HYD. QUICK-CONNECT COUPLER | 1 | | |
| 12 | R77175 | COVER | 1 | | |
| 13 | R27218 | FITTING PLUG | 2 | | |
| 14 | R28782 | O-RING | 1 | | 8.915 X 1.829 MM (0.351" X 0.072") |
| 15 | AH128927 | SWITCH | 1 | -632121 | (SUB AH135744) |
| | AH135744 | SWITCH | 1 | | |
| | RE12363 | CONNECTOR | 1 | | (PKG OF 40) |
| | R78063 | TERMINAL NIPPLE | 1 | | |
| | R78060 | SOCKET CONTACT | 1 | | |
| 16 | 38H1160 | ADAPTER | 1 | | |
| 17 | R26906 | O-RING | 2 | | 19.177 X 2.464 MM (0.755" X 0.097") |
| 18 | 38H1018 | TEE FITTING | 1 | | |
| 19 | H132970 | HOUSING | 1 | | |
| 20 | H129328 | GASKET | 1 | | |
| 21 | 19M7867 | SCREW | 4 | | M8 X 25 |
| 22 | H118906 | COVER | 1 | | |
| 23 | H129765 | GASKET | 1 | | |
| 24 | T77514 | PISTON | 1 | | |
| 25 | 24H1312 | WASHER | 1 | | 13/32" X 1-3/8" X 0.105" |
| 26 | R47449 | SPRING | 1 | | |
| 27 | T45132 | SPRING | 1 | | |
| 28 | AH128655 | SOLENOID VALVE | 2 | | |
| 29 | U12547 | O-RING | 1 | | 23.470 X 2.946 MM (0.924" X 0.116") |
| 30 | 38H1175 | ADAPTER | 1 | | |
| 31 | 38H1162 | ADAPTER | 1 | | |
| 32 | T60314 | SPRING | 1 | | |
| 33 | R33521 | SHIM | AR | | |
| 34 | H126028 | FITTING | 1 | | |
| .. | AH128785 | SHUT-OFF VALVE | 1 | | |

5G9

HYDRAULICS

HYDRAULIC FLAT O-RING KIT
HP4213 -UN-01JAN94



HP4213

5G10

HYDRAULICS

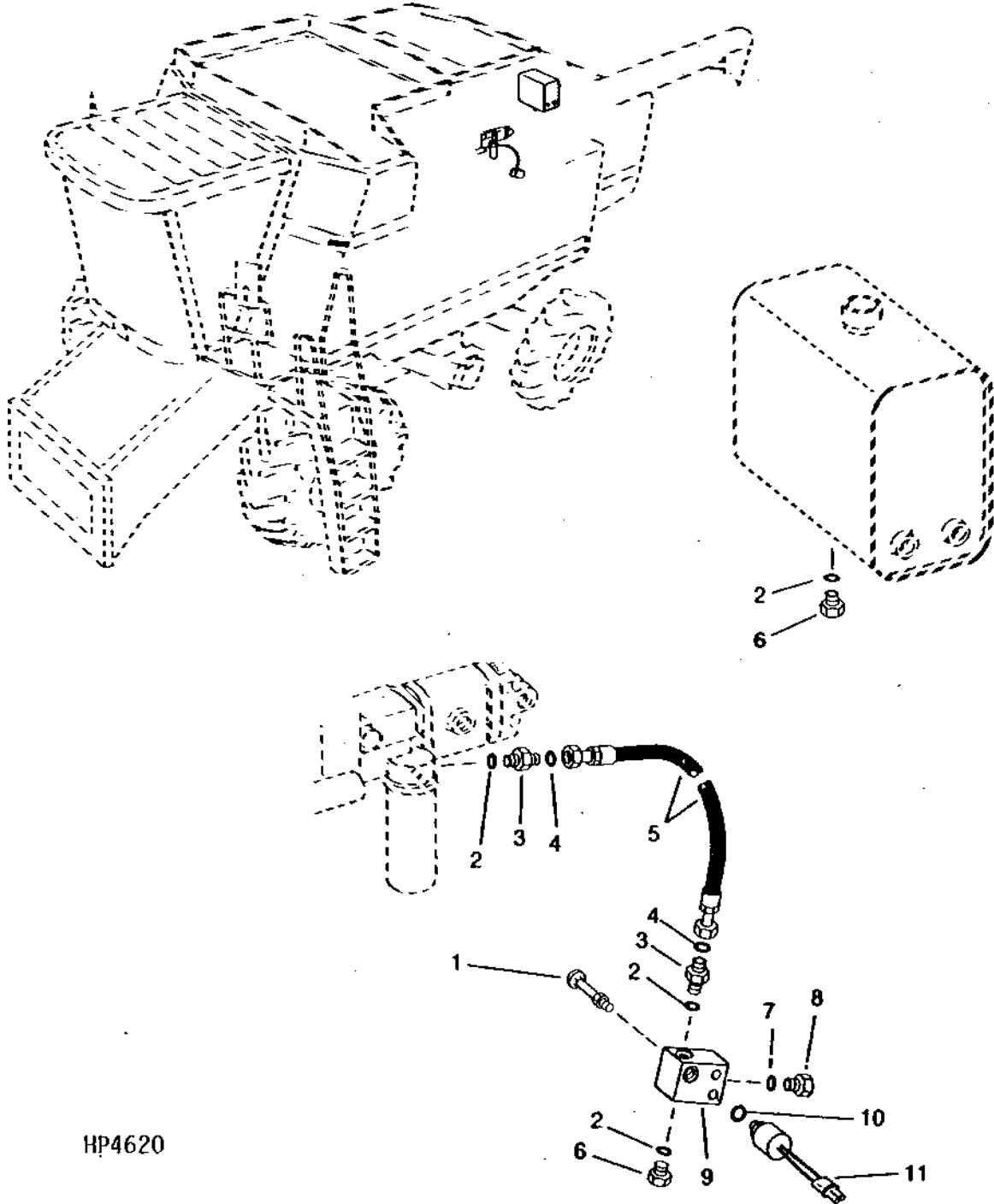
HYDRAULIC FLAT O-RING KIT - CONTINUED

| KEY | PART NO. | PART NAME | QTY | SERIAL NO. | REMARKS |
|-----|----------|------------|-----|------------|--|
| 1 | T77814 | O-RING | 10 | | 7.645 X 1.778 MM (0.301" X 0.070") SIZE -4 |
| 2 | T77613 | O-RING | 12 | | 9.246 X 1.778 MM (0.364" X 0.070") SIZE -6 |
| 3 | T77857 | O-RING | 12 | | 12.421 X 1.778 MM (0.489" X 0.070") SIZE -8 |
| 4 | T77932 | O-RING | 12 | | 15.596 X 1.778 MM (0.614" X 0.070") SIZE -10 |
| 5 | T77858 | O-RING | 12 | | 18.771 X 1.778 MM (0.739" X 0.070") SIZE -12 |
| 6 | T76938 | O-RING | 12 | | 23.520 X 1.778 MM (0.926" X 0.070") SIZE -16 |
| 7 | T78612 | O-RING | 5 | | 29.870 X 1.778 MM (1.176" X 0.070") SIZE -20 |
| 8 | T78784 | O-RING | 5 | | 37.821 X 1.778 MM (1.489" X 0.070") SIZE -24 |
| 9 | T78313 | O-RING | 6 | | 32.918 X 3.531 MM (1.296" X 0.139") |
| 10 | AT85197 | O-RING KIT | 1 | | |

5G11

CHARGE PRESSURE HOSE

(640301-)
HP4620 -UN-01JAN94



HP4620

5G12

HYDRAULICS

CHARGE PRESSURE HOSE - CONTINUED
(640301-)

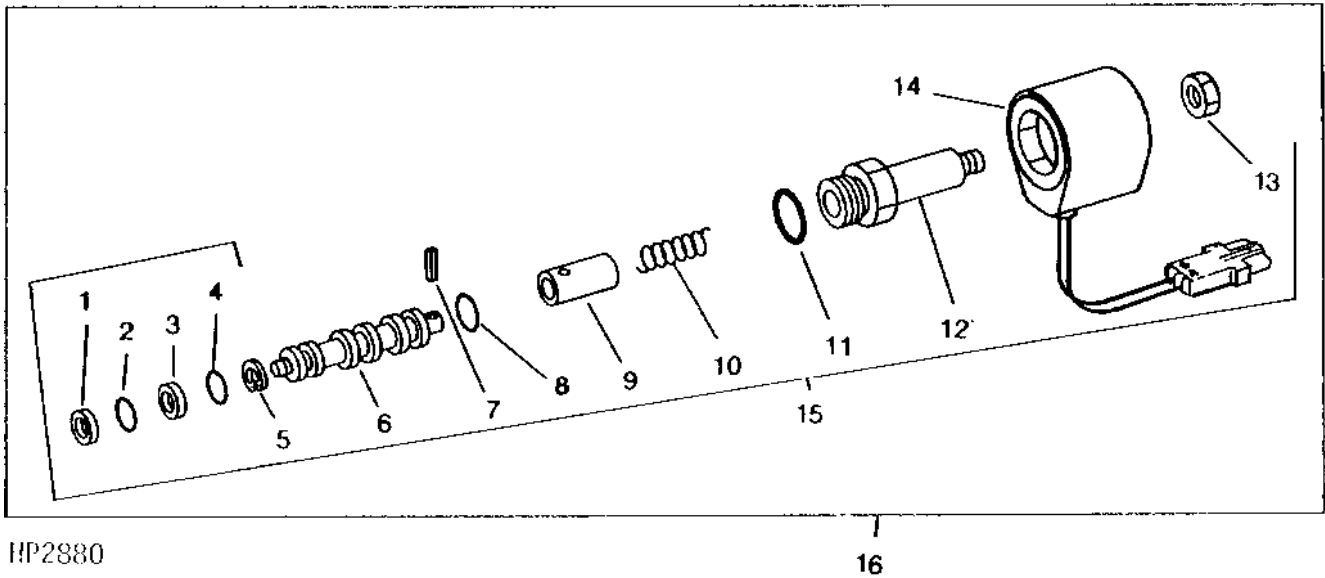
| KEY | PART NO. | PART NAME | QTY | SERIAL NO. | REMARKS |
|-----|----------|----------------|-----|--|---------|
| 1 | 03M7267 | BOLT | 2 | M8 X 80 | |
| | 14M7298 | FLANGE NUT | 2 | M8 | |
| 2 | R26448 | O-RING | 4 | 11.887 X 1.981 MM (0.468" X 5/64") | |
| 3 | 38H1160 | ADAPTER | 2 | | |
| 4 | T77613 | O-RING | 2 | 9.246 X 1.778 MM (0.364" X 0.070") | |
| 5 | AH128894 | HYDRAULIC HOSE | 1 | 11/16" X 505 MM (20") X 11/16", 11/16" X 570 MM (22-1/2") X 11/16" (PRESSURE) | |
| 6 | R27218 | FITTING PLUG | 2 | | |
| 7 | R26375 | O-RING | 1 | 16.358 X 2.210 MM (0.644" X 0.087") | |
| 8 | R39112 | FITTING | 1 | | |
| 9 | H139448 | FITTING | 1 | | |
| 10 | R28782 | O-RING | 1 | 8.915 X 1.829 MM (0.351" X 0.072") | |
| 11 | AH128929 | SWITCH | 1 | | |

5G13

HYDRAULICS

SOLENOID CONTROL VALVE FOR ENGINE GEARCASE PRESSURE REGULATOR

HP2880 -UN-01JAN94



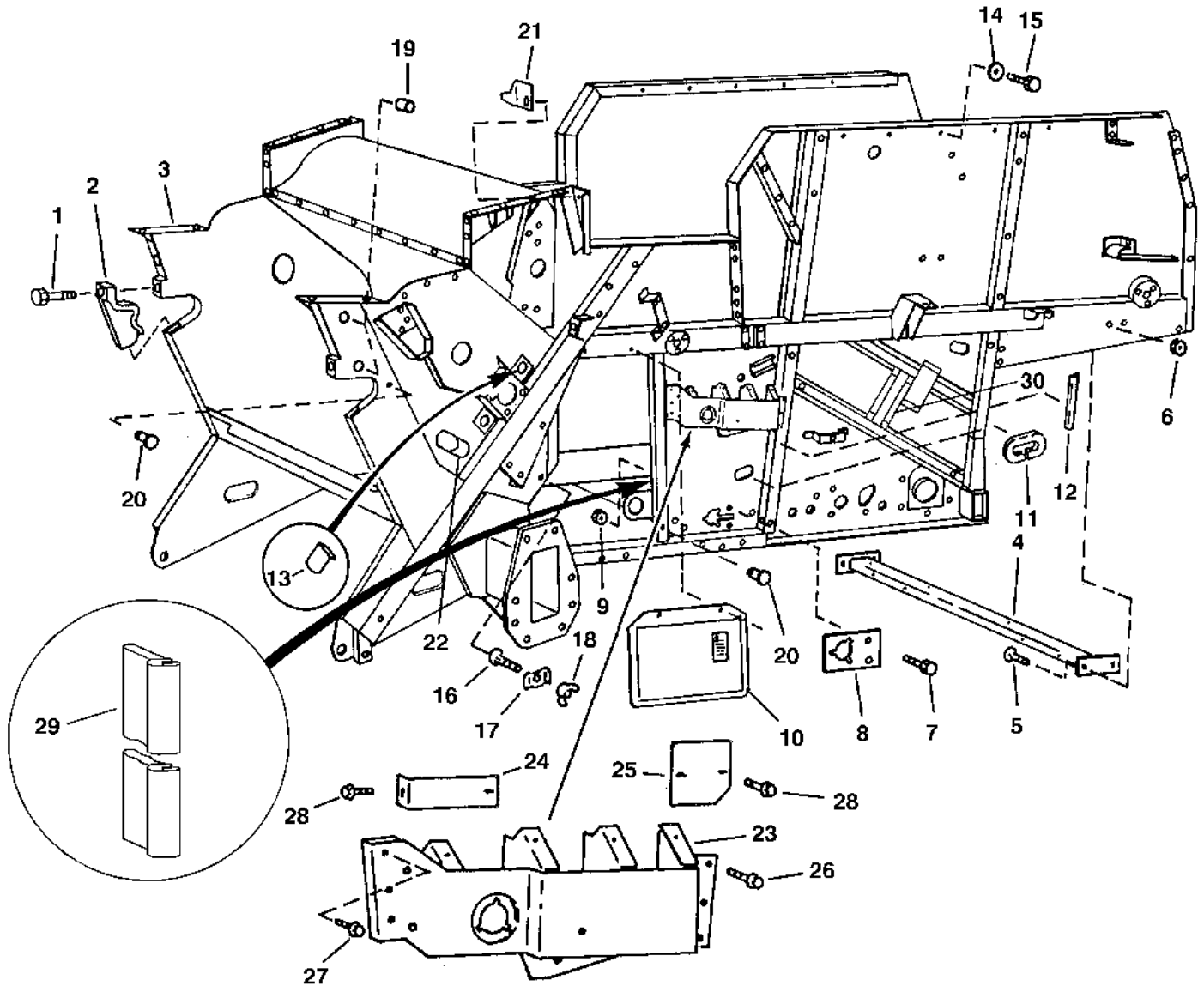
| KEY | PART NO. | PART NAME | QTY | SERIAL NO. | REMARKS |
|-----|----------|----------------------------|-----|------------|--|
| 1 | R42926 | BACK-UP RING | 1 | | |
| 2 | T77857 | O-RING | 1 | | 12.421 X 1.778 MM (0.489" X 0.070") (SUB FOR R45186) |
| 3 | R45187 | BACK-UP RING | 1 | | |
| 4 | R45638 | O-RING | 1 | | 15.596 X 1.778 MM (0.614" X 0.070") |
| 5 | R46701 | SNAP RING | 1 | | |
| 6 | | VALVE SPOOL | 1 | | |
| 7 | 34H227 | SPRING PIN | 1 | | 3/32" X 1/2" |
| 8 | N31772 | O-RING | 1 | | 18.771 X 1.778 MM (0.739" X 0.070") |
| 9 | | PLUNGER | 1 | | |
| 10 | R64698 | SPRING | 1 | | |
| 11 | U12547 | O-RING | 1 | | 23.470 X 2.946 MM (0.924" X 0.116") |
| 12 | | GUIDE | 1 | | |
| 13 | M63707 | LOCK NUT | 1 | | 6.350 MM (1/4") |
| 14 | AH128654 | ELECTRICAL COIL | 1 | | |
| | R78053 | PIN CONTACT CONNECTOR BODY | 1 | | (PKG OF 3) |
| | R78059 | ELECTRICAL PLUG | 1 | | (PKG OF 40) |
| | R78061 | PIN CONTACT | 1 | | (PKG OF 40) |
| 15 | AH130949 | SOLENOID VALVE | 1 | | |
| 16 | AH128655 | SOLENOID VALVE | 1 | | |

MEMORANDA

5G16

SEPARATOR SHELL

SEPARATOR FRAME
HP6867 -UN-04AUG97



HP6867

5G17

SEPARATOR SHELL

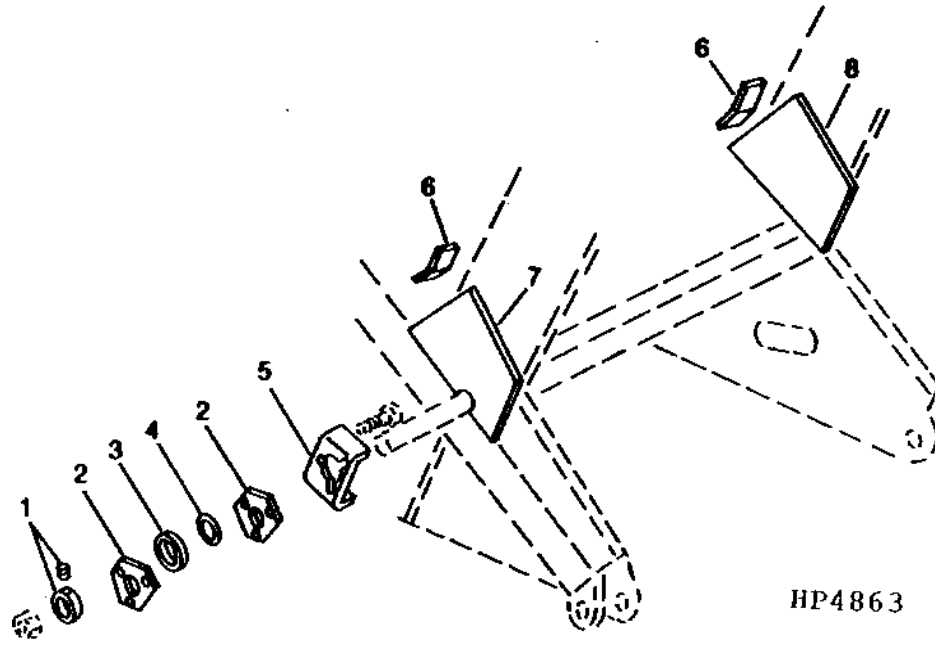
SEPARATOR FRAME- CONTINUED

| KEY | PART NO. | PART NAME | QTY | SERIAL NO. | REMARKS |
|-----|----------|---------------|-----|------------|---|
| 1 | 19M7831 | SCREW | 2 | | M20 X 80 |
| 2 | H134666 | RETAINER | 2 | -635300 | |
| | H158749 | RETAINER | 2 | | (SUB FOR H140645 OR H147074) |
| 3 | | FRAME | 1 | | |
| 4 | AH132360 | CROSSBAR | 2 | | |
| 5 | 03M7218 | BOLT | 8 | | M10 X 80 |
| | 03M7247 | BOLT | 8 | -651228 | M10 X 90 |
| | 03M7247 | BOLT | 4 | 651229- | M10 X 90 |
| | 19M7811 | SCREW | 4 | 651229- | M10 X 90 |
| 6 | 14M7296 | FLANGE NUT | 8 | | M10 |
| 7 | 19M7865 | SCREW | 2 | | M8 X 16 |
| 8 | H132539 | COVER | 1 | | |
| 9 | 14M7298 | FLANGE NUT | 2 | | M8 |
| 10 | H130349 | COVER | 2 | | |
| 11 | | SEAL | 2 | | CUT TO LENGTH FROM AH133091 50 FT ROLL |
| 12 | | SEAL | 2 | | CUT TO LENGTH FROM AH133091 50 FT ROLL |
| 13 | H89544 | DOOR | 4 | | TO CHECK CYLINDER TO CONCAVE CLEARANCE |
| 14 | 24M7178 | WASHER | 10 | | 10.500 X 30 X 2.500 MM |
| 15 | 37M7080 | SCREW | 10 | | M10 X 30, THRU ENGINE PLATFORM AND INTO FRAME SILL WELD NUT |
| 16 | 03M7185 | BOLT | 4 | | M8 X 25 |
| 17 | P47159 | CLAMP | 4 | | |
| 18 | 14M7020 | WING NUT | 4 | | M8 |
| 19 | H120379 | SPACER | 4 | | 10.744 X 17.140 X 66 MM (0.423" X 0.675" X 2.598") |
| 20 | H132926 | PLUG | 4 | | |
| 21 | H140866 | CLAMP | 1 | 640301- | |
| 22 | H148000 | PLUG | 1 | | KNOCK OUT PLUG (TO CONVERT TO RICE CYLINDER) IF LOST - WELD IN PLACE |
| 23 | AH140485 | BRACKET | 1 | 645301- | L. H. |
| | AH140484 | BRACKET | 1 | 645301- | R.H. |
| 24 | H144715 | SHIELD | 1 | 645301- | L. H. |
| | H144716 | SHIELD | 1 | 645301- | R.H. |
| 25 | H144717 | SHIELD | 1 | 645301- | L.H. |
| 26 | 19M7785 | SCREW | 3 | 645301- | M10 X 25 |
| 27 | 19M8292 | SCREW | 3 | 645301- | M10 X 50 |
| 28 | 37M7089 | SCREW | 2 | 645301- | M6 X 12 |
| 29 | | SEAL | 1 | | CUT TO 180 MM FROM AH133091 |
| 30 | H160265 | REINFORCEMENT | 1 | 19MAY7- | |

5G18

SEPARATOR SHELL

NO. 1 UPRIGHT KIT
 HP4863 -UN-01JAN94

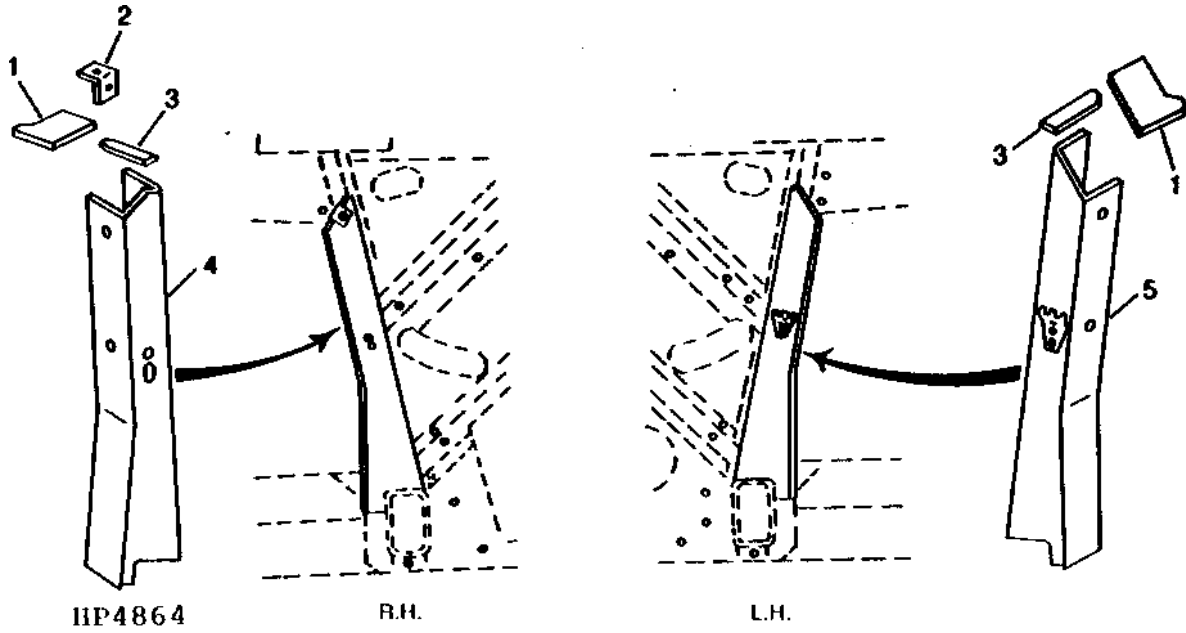


| KEY | PART NO. | PART NAME | QTY | SERIAL NO. | REMARKS |
|-----|----------|--------------------------|-----|------------|--------------------------------------|
| 1 | AH129452 | ECCENTRIC LOCKING COLLAR | 1 | | |
| 2 | E10018 | PRESSED FLANGED HOUSING | 2 | | |
| 3 | AH129451 | BALL BEARING | 1 | | |
| 4 | H102533 | SHIM | 1 | | |
| 5 | | BRACKET | 1 | | |
| 6 | | ANGLE | 2 | | |
| 7 | | PLATE | 1 | | R.H. |
| 8 | | PLATE | 1 | | L.H. |
| .. | AH140312 | KIT | 1 | | NO. 1 UPRIGHT (INCLUDES INSTRUCTION) |

5G19

SEPARATOR SHELL

NO. 5 UPRIGHT KIT
 HP4864 -UN-01JAN94

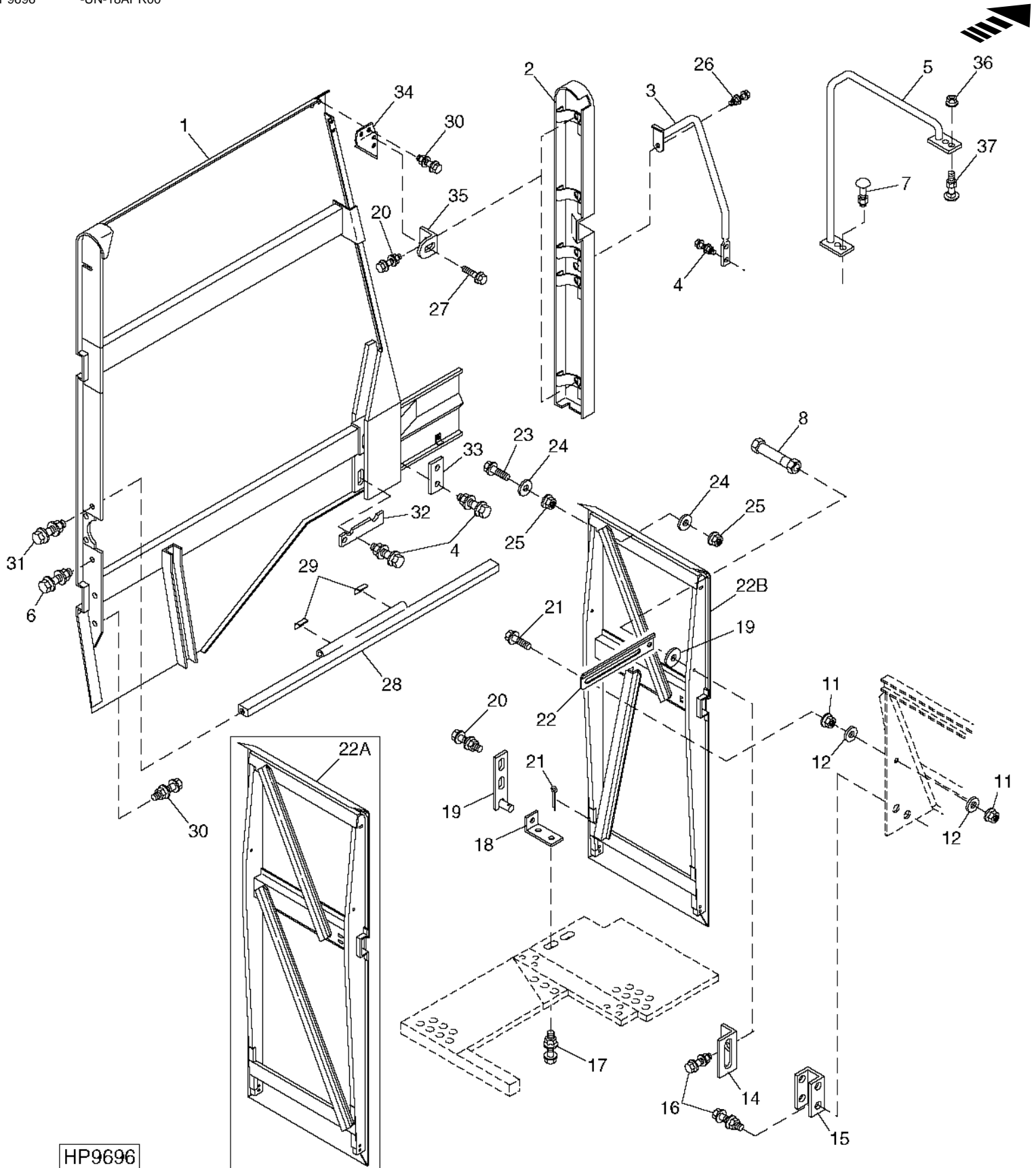


| KEY | PART NO. | PART NAME | QTY | SERIAL NO. | REMARKS |
|-----|----------|---------------|-----|--------------------------------------|---------|
| 1 | | PLATE | 2 | | |
| 2 | H145700 | ANGLE | 1 | | |
| 3 | H146057 | REINFORCEMENT | 2 | | |
| 4 | AH139570 | REINFORCEMENT | 1 | R.H. | |
| 5 | AH139571 | REINFORCEMENT | 1 | L.H. | |
| .. | AH140427 | KIT | 1 | NO. 5 UPRIGHT (INCLUDES INSTRUCTION) | |

5G20

SEPARATOR SHELL

ENGINE ACCESS DOOR, HANDRAILS, AND RADIATOR DOOR
HP9696 -UN-18APR00



HP9696

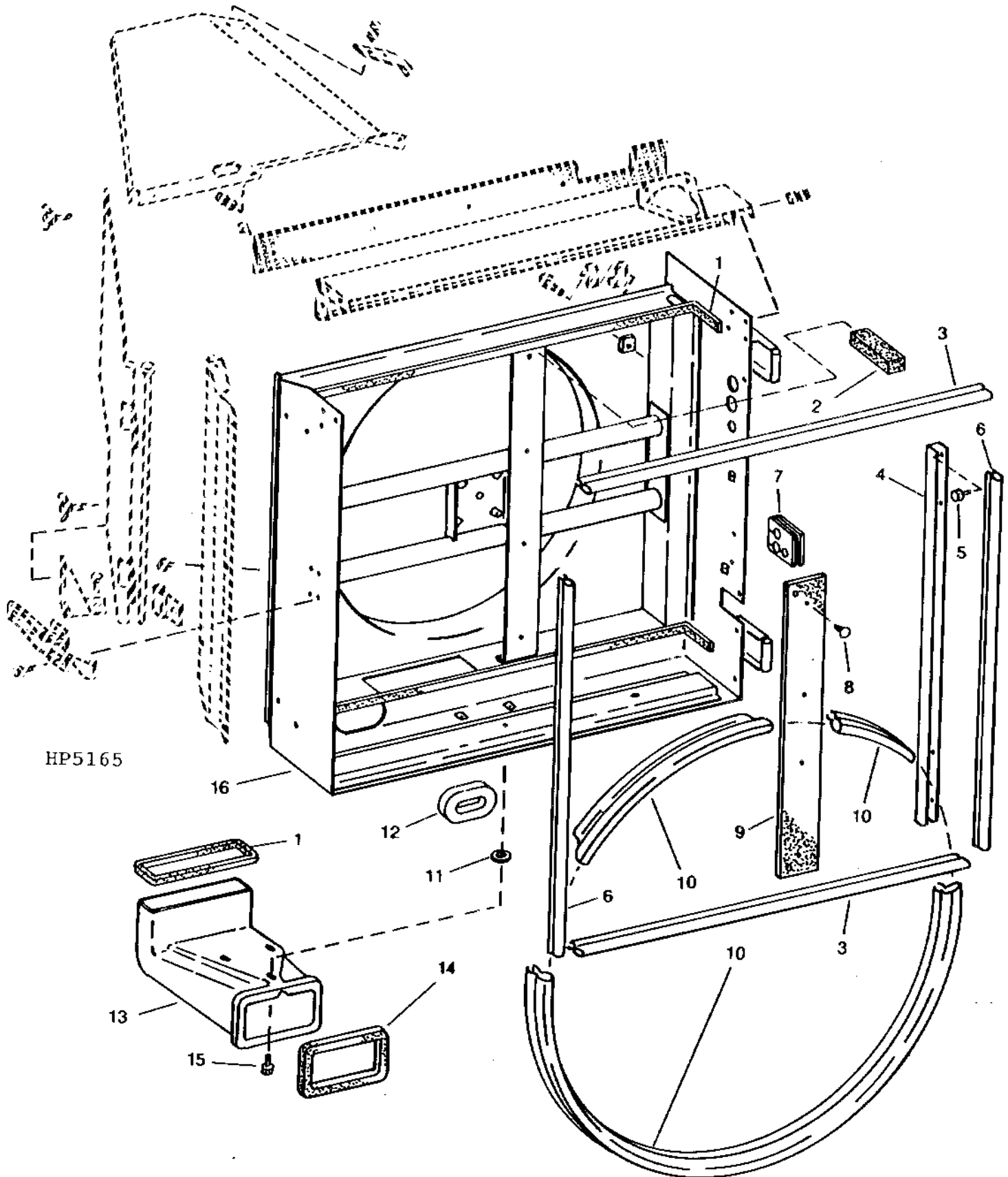
ENGINE ACCESS DOOR, HANDRAILS, AND RADIATOR DOOR - CONTINUED

| KEY | PART NO. | PART NAME | QTY | SERIAL NO. | REMARKS |
|-----|----------|---------------|-----|------------|-----------------------------------|
| 1 | AH136163 | DOOR | 1 | | |
| 2 | AH126015 | PANEL | 1 | | (SUB FOR AH126013) |
| 3 | AH126016 | HANDRAIL | 1 | | |
| 4 | 19M7785 | SCREW | 6 | | M10 X 25 |
| | 14M7296 | FLANGE NUT | 6 | | M10 |
| 5 | AH125686 | HANDRAIL | 1 | | |
| 6 | 19M7785 | SCREW | AR | | M10 X 25 |
| 7 | 19M7784 | SCREW | 2 | | M10 X 20 |
| | 14M7296 | FLANGE NUT | 2 | | M10 |
| 8 | 53M7003 | SCREW | 1 | | M8 X 25 |
| | E64256 | LOCK NUT | 1 | | M8 |
| 9 | 24M7178 | WASHER | 1 | | 10.500 X 30 X 2.500 MM |
| 10 | H132511 | STOP | 1 | | |
| 11 | 14M7273 | NUT | 2 | | M8 |
| 12 | 24M7207 | WASHER | 2 | | 8.400 X 24 X 2 MM |
| 13 | 19M8319 | SCREW | 1 | | M8 X 50 |
| 14 | H134072 | ANGLE | 1 | | |
| 15 | H134073 | STOP | 1 | | |
| 16 | 19M7866 | SCREW | 4 | | M8 X 20 |
| | 14M7298 | FLANGE NUT | 4 | | M8 |
| 17 | 03M7185 | BOLT | 4 | | M8 X 25 |
| | 24M7207 | WASHER | 4 | | 8.400 X 24 X 2 MM |
| | 14M7298 | FLANGE NUT | 4 | | M8 |
| 18 | H130246 | HINGE | 2 | | |
| 19 | AH125575 | PLATE | 2 | | |
| 20 | 03M7184 | BOLT | 7 | | M8 X 20 |
| | 14M7298 | FLANGE NUT | 7 | | M8 |
| 21 | 11M7012 | COTTER PIN | 2 | | 3.200 X 16 MM |
| 22A | AH133830 | DOOR | 1 | | (SUB AH168934) (SUB FOR AH125574) |
| 22B | AH168934 | DOOR | 1 | | |
| 23 | H133042 | PIN | 1 | | |
| 24 | 24M7180 | WASHER | 2 | | 13 X 37 X 3 MM |
| 25 | 14M7299 | FLANGE NUT | 2 | | M12 |
| 26 | 19M7784 | SCREW | 1 | | M10 X 20 |
| | 24M7101 | WASHER | 1 | | 11 X 34 X 3 MM |
| | 14M7296 | FLANGE NUT | 1 | | M10 |
| 27 | 19M7866 | SCREW | 3 | | M8 X 20 |
| 28 | H130967 | REINFORCEMENT | 1 | | |
| 29 | Z39238 | FOAM PAD | 2 | | |
| 30 | 19M7865 | SCREW | 4 | | M8 X 16 |
| | 14M7298 | FLANGE NUT | 4 | | M8 |
| 31 | 19M7784 | SCREW | 2 | | M10 X 20 |
| | 14M7296 | FLANGE NUT | 2 | | M10 |
| 32 | H132793 | STRAP | AR | | |
| 33 | H132992 | PLATE | 2 | | |
| 34 | H134403 | REINFORCEMENT | 1 | | |
| 35 | H130968 | ANGLE | 3 | | |
| 36 | 14M7296 | FLANGE NUT | 2 | | M10 |
| 37 | 03M7307 | BOLT | 2 | | M10 X 25 |

5G22

SEPARATOR SHELL

RADIATOR SHELL AND SEALS
HP5165 -UN-01JAN94



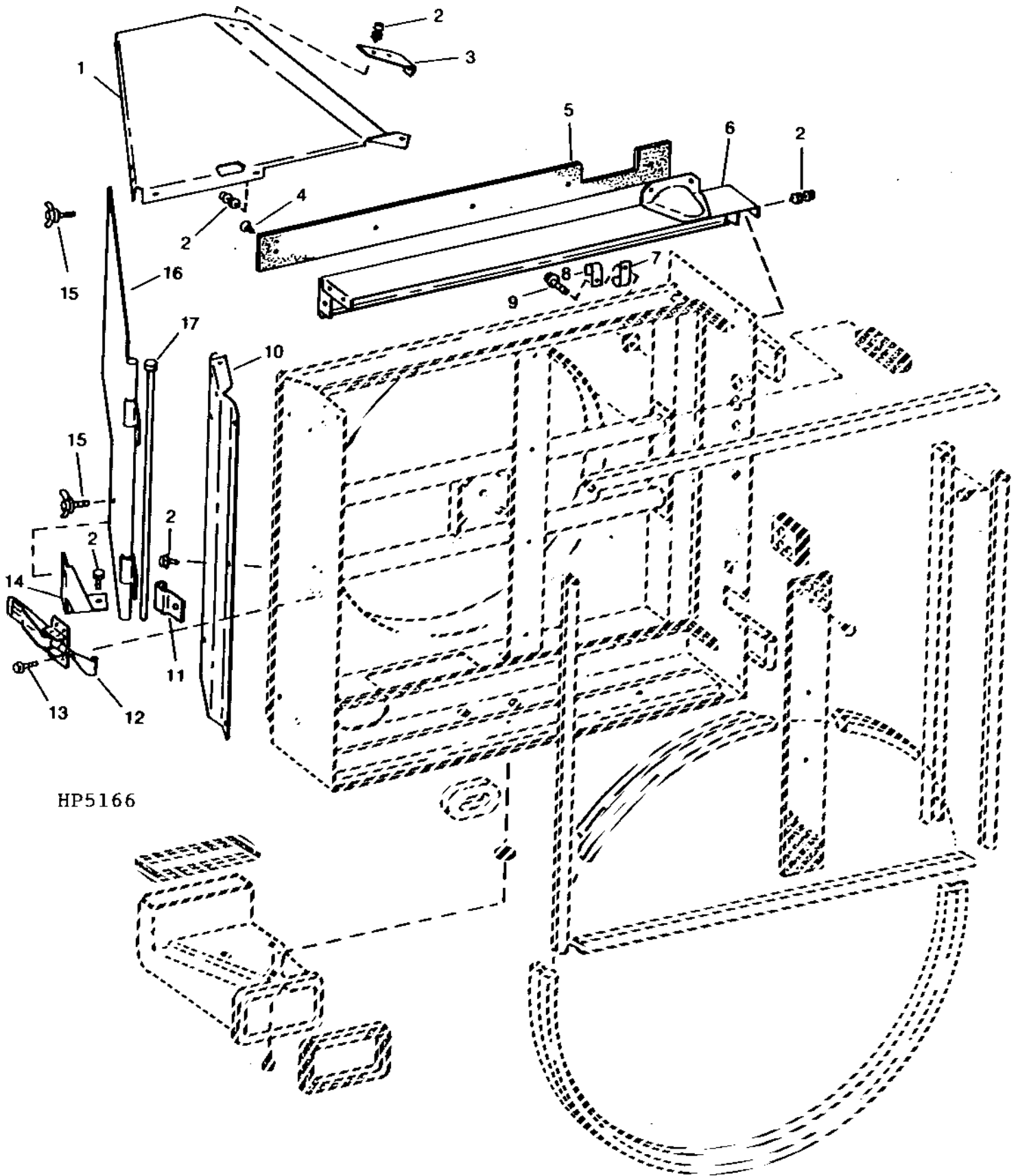
RADIATOR SHELL AND SEALS - CONTINUED

| KEY | PART NO. | PART NAME | QTY | SERIAL NO. | REMARKS |
|-----|----------|-----------------------|-----|---------------|---|
| 1 | | SEAL | 4 | | (CUT FROM H88769) CUT TO LENGTH; TWO PIECES AT 1440 MM, ONE PIECE AT 135 MM. ONE PIECE AT 765 MM, AND ONE PIECE AT 780 MM FOR 9600 GRAIN. |
| 2 | H88769 | ISOLATOR | 1 | -642112 | (SUB FOR H140121) |
| 3 | AH140967 | ACOUSTICAL UPHOLSTERY | 2 | | (SUB FOR AH130548 OR AH139256) 1116 MM LONG |
| 4 | H134530 | CHANNEL | 1 | -641944 | (SUB H146260) |
| | H146260 | CHANNEL | 1 | | |
| 5 | 19M7865 | SCREW | 1 | | M8 X 16 |
| | 14M7298 | FLANGE NUT | 1 | | M8 |
| | 24M7207 | WASHER | 2 | 655301- | 8.400 X 24 X 2 MM (0.331" X 0.945" X 0.079") |
| 6 | | ISOLATOR | 2 | | USE AH140967 AND CUT TO 1037 MM |
| 7 | H114837 | GROMMET | 1 | -632251 | (SUB R62356 OR R66718 OR R27533) |
| | R27533 | GROMMET | 1 | 632252-641713 | (SUB R71351) |
| | R71351 | GROMMET | 1 | | |
| | R62356 | GROMMET | 1 | 632252- | |
| | R66718 | GROMMET | 1 | 632252- | |
| 8 | H116740 | PLUG | 9 | | |
| 9 | H134520 | SEAL | 1 | | |
| | H88769 | ISOLATOR | 1 | -642112 | (SUB FOR H134519) |
| 10 | AH140967 | ACOUSTICAL UPHOLSTERY | 1 | | (SUB FOR AH139256) PRECUT |
| 11 | 24M7207 | WASHER | 6 | -636922 | 8.400 X 24 X 2 MM |
| | 24M7207 | WASHER | 3 | 636923- | 8.400 X 24 X 2 MM |
| | 19M7864 | SCREW | 3 | 636923- | M8 X 12 |
| 12 | H128502 | SEAL | 1 | | |
| 13 | H143465 | AIR DUCT | 1 | | (SUB FOR H123650) |
| 14 | AH131965 | ISOLATOR | 1 | | |
| 15 | 19M7865 | SCREW | 1 | | M8 X 16 |
| 16 | AH139886 | FRAME | 1 | | (SUB FOR AH130510) |
| | AH140599 | FRAME | 1 | 641945-645306 | (SUB FOR AH130509, AH135786 OR AH139254) |
| | AH133228 | FRAME | 1 | 645307-650300 | |
| | AH140553 | FRAME | 1 | 650301-665300 | |
| | AH156168 | FRAME | 1 | 665301- | (SUB FOR AH145233) |

5G24

SEPARATOR SHELL

RADIATOR SHELL AND SEALS
HP5166 -UN-01JAN94



HP5166

5G25

SEPARATOR SHELL

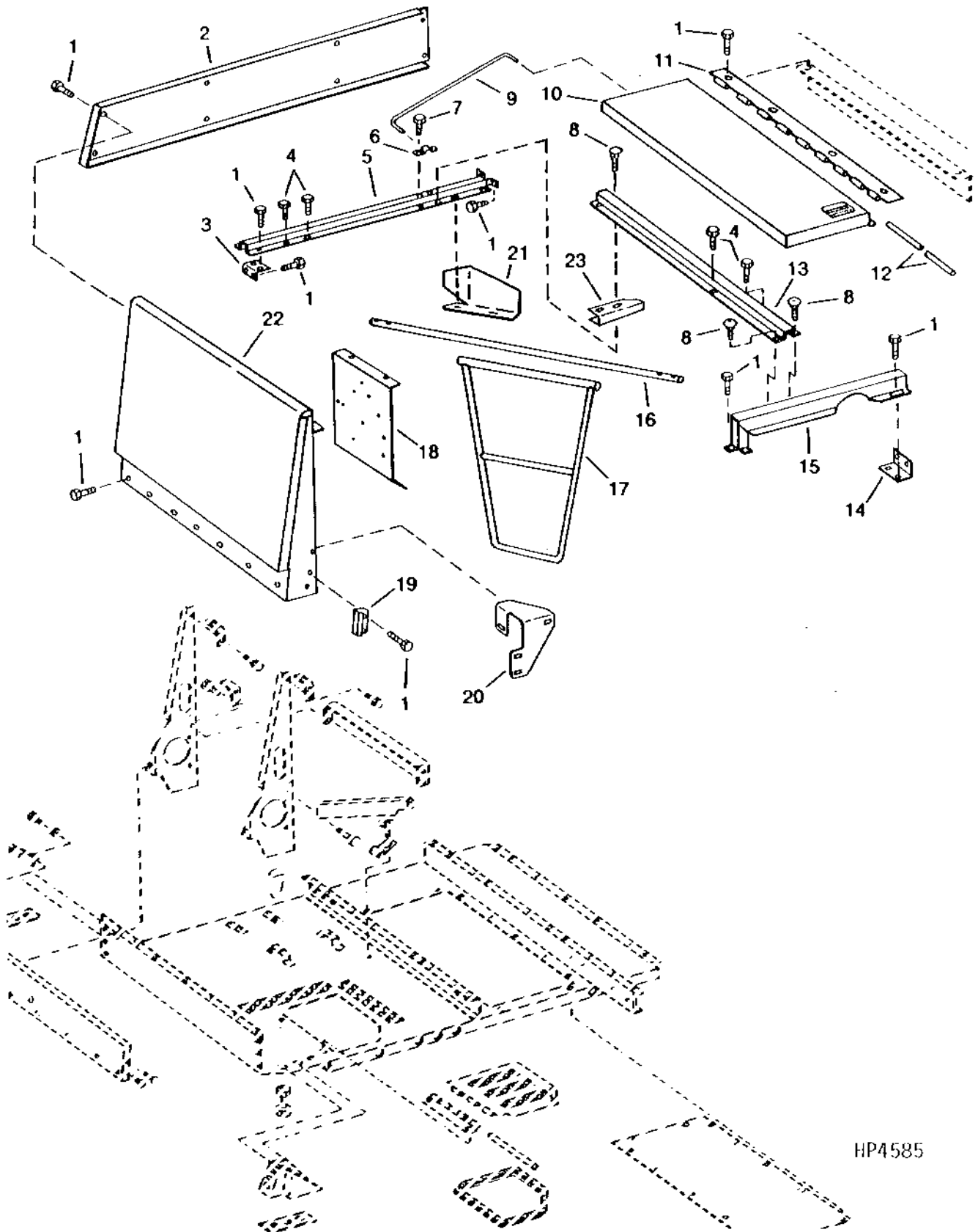
RADIATOR SHELL AND SEALS - CONTINUED

| KEY | PART NO. | PART NAME | QTY | SERIAL NO. | REMARKS |
|-----|----------|------------|-----|------------|----------------------------------|
| 1 | AH160084 | SHEET | 1 | 671267- | (SUB FOR AH154238 OR AH130955) |
| 2 | 19M7865 | SCREW | 1 | | M8 X 16 |
| | 14M7298 | FLANGE NUT | 1 | | M8 |
| 3 | H167159 | BRACKET | 1 | | (SUB FOR H134910) |
| 4 | H116740 | PLUG | 9 | -646864 | |
| 5 | H134525 | SEAL | 1 | -651355 | (SUB H146765 AND H88769) |
| | H146765 | BARRIER | 2 | -662710 | |
| | H154195 | SEAL | 1 | 662711- | |
| 6 | AH130515 | CHANNEL | 1 | | |
| | AH139255 | CHANNEL | 1 | -642112 | (SUB FOR AH130514 OR AH138212) |
| | AH133226 | CHANNEL | 1 | 642113- | (USE WITH AH144719) |
| | AH139384 | CHANNEL | 1 | 642113- | (USE WITH AH138940 AND AH128257) |
| 7 | AH96317 | CLIP | 1 | | (SUB FOR AH89486) |
| 8 | AH89557 | CLIP | 1 | -641246 | |
| 9 | 19M7865 | SCREW | 1 | | M8 X 16 |
| 10 | H134526 | SHEET | 1 | | |
| 11 | H134913 | HINGE | 2 | | |
| 12 | AH87272 | LATCH | 1 | | |
| 13 | 37M7060 | SCREW | AR | | M4 X 10 |
| 14 | AH131301 | BRACKET | 1 | | |
| 15 | 19M7865 | SCREW | 2 | | M8 X 16 |
| 16 | H134916 | DOOR | 1 | | |
| 17 | H134917 | PIN | 1 | | 8 X 775 MM (0.315" X 30.512") |

5H1

SEPARATOR SHELL

ENGINE COMPARTMENT (-640300)
HP4585 -UN-01JAN94



HP4585

5H2

SEPARATOR SHELL

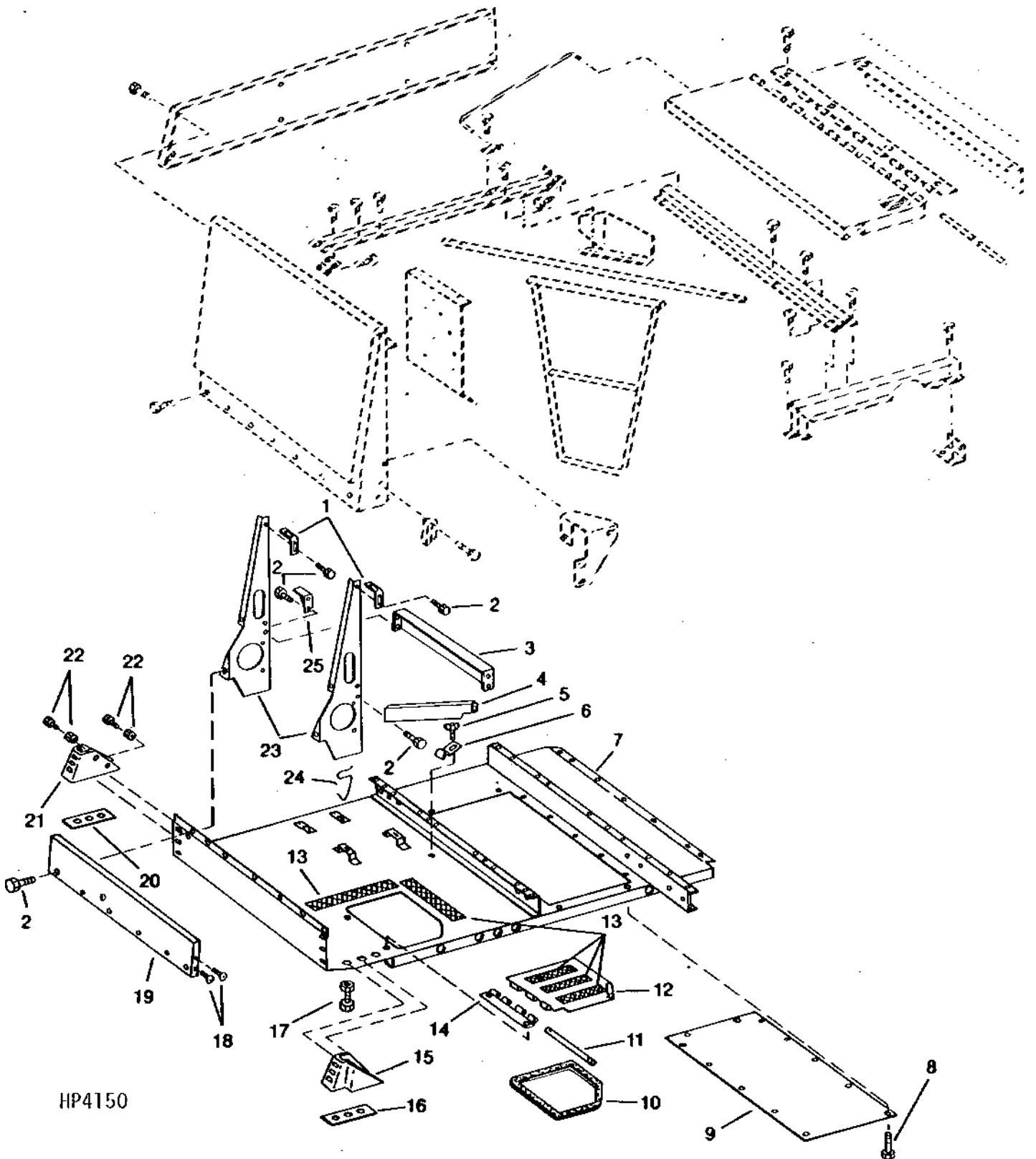
ENGINE COMPARTMENT (-640300) - CONTINUED

| KEY | PART NO. | PART NAME | QTY | SERIAL NO. | REMARKS |
|-----|----------|---------------|-----|------------|--|
| 1 | 19M7865 | SCREW | 110 | -640300 | M8 X 16 |
| | 14M7298 | FLANGE NUT | 110 | -640300 | M8 |
| 2 | H134106 | PANEL | 1 | | |
| 3 | H128744 | ANGLE | 1 | -640300 | |
| 4 | 19M8290 | SCREW | 4 | | M6 X 35 |
| | 14M7397 | LOCK NUT | 4 | | M6 |
| 5 | AH129195 | CHANNEL | 1 | | |
| 6 | H99600 | CLAMP | 1 | | |
| 7 | 19M7774 | SCREW | 1 | | M6 X 12 |
| | 14M7272 | NUT | 1 | | M6 |
| 8 | 03M7183 | BOLT | 1 | | M8 X 16 |
| | 14M7298 | FLANGE NUT | 1 | -640300 | M8 |
| 9 | H136591 | ROD | 1 | -640300 | |
| | AH136616 | BRACE | 1 | 640301- | |
| 10 | AH139031 | DOOR | 1 | | (SUB FOR AH130952) |
| 11 | H134739 | HINGE | 1 | | |
| 12 | H134931 | PIN | 1 | | 8.075 X 1 385 MM (0.318" X 54.528") MAKE FROM H99599, 1420 MM LONG |
| 13 | AH129197 | CHANNEL | 1 | -640436 | |
| | AH139030 | CHANNEL | 1 | 640437- | |
| 14 | H128744 | ANGLE | 1 | | |
| 15 | AH129194 | CHANNEL | 1 | -636198 | |
| 16 | H135147 | TUBE | 1 | | |
| 17 | AH129228 | LADDER | 1 | | |
| 18 | AH130497 | PLATE | 1 | | |
| 19 | H134073 | STOP | 1 | | |
| 20 | H137267 | REINFORCEMENT | 1 | | |
| 21 | H135610 | DEFLECTOR | 1 | -636198 | |
| 22 | AH130173 | PANEL | 1 | | |
| 23 | H134103 | CHANNEL | 1 | -643087 | |

5H3

SEPARATOR SHELL

ENGINE COMPARTMENT (-640300)
HP4150 -UN-01JAN94



HP4150

5H4

SEPARATOR SHELL

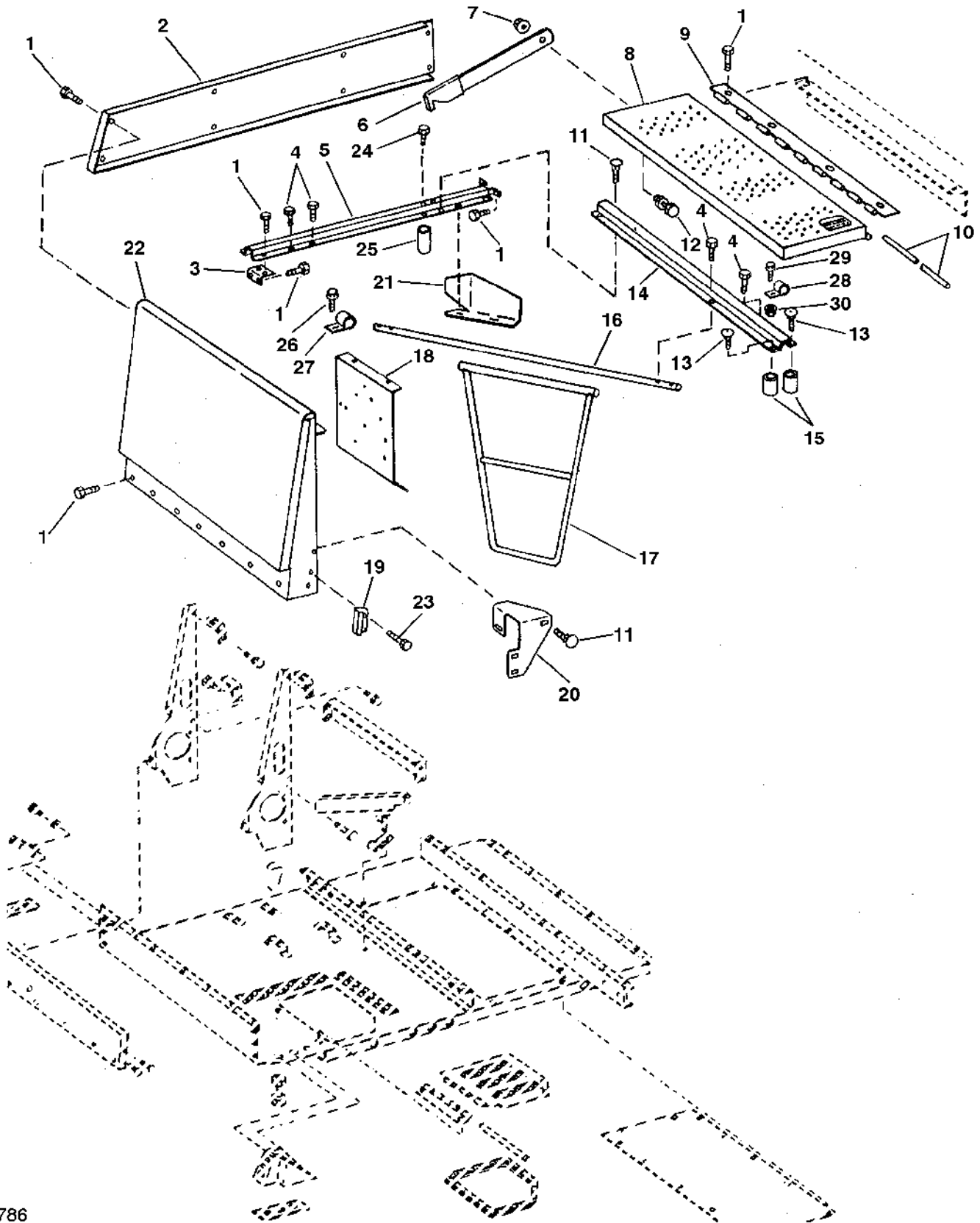
ENGINE COMPARTMENT (-640300) - CONTINUED

| KEY | PART NO. | PART NAME | QTY | SERIAL NO. | REMARKS |
|-----|----------|------------|-----|------------|--|
| 1 | H131526 | ANGLE | 2 | | |
| 2 | 19M7865 | SCREW | 1 | | M8 X 16 |
| | 14M7298 | FLANGE NUT | 1 | | M8 |
| 3 | H134103 | CHANNEL | 1 | | |
| 4 | H134108 | GUSSET | 1 | | |
| 5 | 19M7865 | SCREW | 1 | | M8 X 16 |
| 6 | H135148 | HALF CLAMP | 1 | | |
| 7 | AH147478 | FRAME | 1 | | (SUB FOR AH130462) |
| 8 | 37M7092 | SCREW | 16 | -640300 | M8 X 16 |
| | 37M7058 | SCREW | 16 | 640301- | M8 X 20 |
| 9 | H150318 | SHEET | 1 | | (SUB FOR H127090) |
| 10 | AH122244 | ISOLATOR | 1 | | |
| 11 | H134464 | PIN | 1 | -646204 | 12 X 575 MM (0.472" X 22.638") (SUB H130057) |
| | H130057 | PIN | 1 | | 12 X 1 660 MM (0.472" X 65.354") CUT TO FIT |
| 12 | AH130506 | DOOR | 1 | | |
| 13 | H131743 | MAT | 3 | | |
| 14 | H134506 | HINGE | 1 | | |
| 15 | H165585 | SUPPORT | 1 | | (SUB FOR H137261) |
| 16 | H135393 | STRAP | 1 | | |
| 17 | 19M7805 | SCREW | 4 | | M10 X 45 |
| | 19M7786 | SCREW | 2 | | M10 X 30 |
| | 14M7296 | FLANGE NUT | 6 | -640300 | M10 |
| | 14M7296 | FLANGE NUT | 4 | 640301- | M10 |
| 18 | 03M7183 | BOLT | 2 | | M8 X 16 |
| 19 | AH130178 | PANEL | 1 | | |
| 20 | H135392 | STRAP | 1 | | |
| 21 | H165587 | SUPPORT | 1 | | (SUB FOR H140225) |
| 22 | 19M7866 | SCREW | 2 | | M8 X 20 |
| | 14M7298 | FLANGE NUT | 2 | | |
| 23 | H134107 | GUSSET | 1 | | |
| 24 | H135245 | HOOK | 1 | | |
| 25 | H134105 | GUSSET | 1 | | |

5H5

SEPARATOR SHELL

ENGINE COMPARTMENT (640301-)
HP6786 -UN-18AUG97



HP6786

5H6

SEPARATOR SHELL

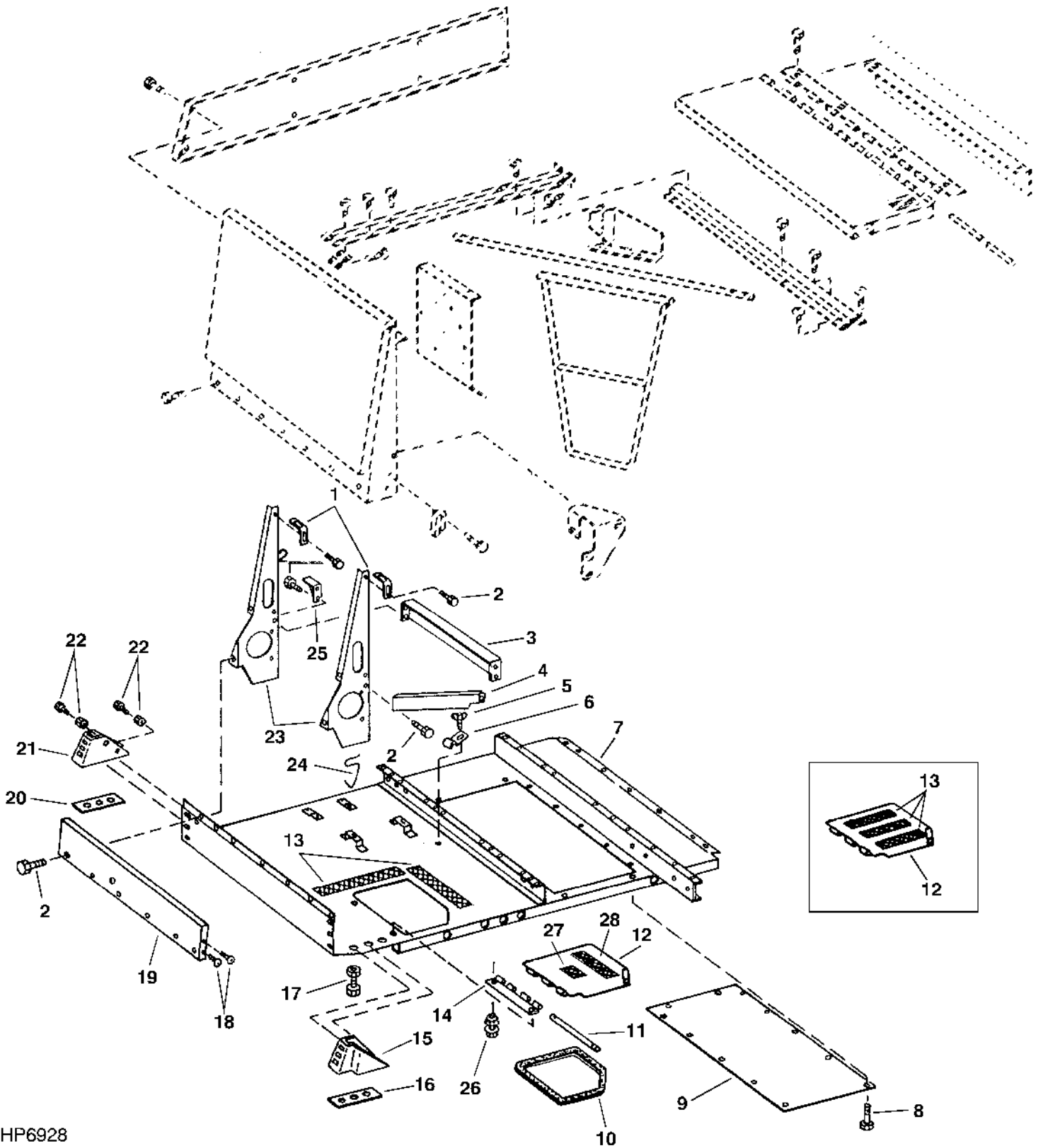
ENGINE COMPARTMENT (640301-) - CONTINUED

| KEY | PART NO. | PART NAME | QTY | SERIAL NO. | REMARKS |
|-----|----------|---------------|-----|------------|--|
| 1 | 19M7865 | SCREW | 110 | | M8 X 16 |
| | 14M7298 | FLANGE NUT | 110 | | M8 |
| 2 | H134106 | PANEL | 1 | | L.H. |
| 3 | H128744 | ANGLE | 1 | | |
| 4 | 19M8290 | SCREW | 4 | | M6 X 35 |
| | 14M7397 | LOCK NUT | 4 | | M6 |
| 5 | AH129195 | CHANNEL | 1 | | L.H. |
| 6 | AH136616 | BRACE | 1 | | |
| 7 | 14M7396 | LOCK NUT | 1 | | M8 |
| 8 | AH139031 | DOOR | 1 | | |
| 9 | H134739 | HINGE | 1 | | |
| 10 | H134930 | PIN | 1 | | 8 X 1 165 MM (0.315" X 45.866") MAKE FROM H99599, 1 165 MM LONG |
| 11 | 03M7183 | BOLT | 1 | | M8 X 16 |
| | 14M7298 | FLANGE NUT | 1 | | M8 |
| 12 | 19M7868 | SCREW | 1 | | M8 X 30 |
| | 14M7273 | NUT | 1 | | M8 |
| 13 | 37M7102 | SCREW | 2 | | M8 X 40 |
| 14 | AH139030 | CHANNEL | 1 | | REAR |
| | H145033 | CHANNEL | 1 | | |
| 15 | H141836 | BUSHING | 2 | | 12.522 X 17.145 X 25.400 MM (0.493" X 0.675" X 1") |
| 16 | H135147 | TUBE | 1 | -666173 | |
| | H155112 | TUBE | 1 | | |
| 17 | AH129228 | LADDER | 1 | | |
| 18 | AH130497 | PLATE | 1 | | |
| 19 | H134073 | STOP | 1 | | |
| 20 | H137267 | REINFORCEMENT | 1 | | REAR WALL |
| 21 | H135610 | DEFLECTOR | 1 | | |
| 22 | AH130173 | PANEL | 1 | | UPPER REAR |
| 23 | 19M7866 | SCREW | 2 | -667186 | M8 X 20 |
| | 19M7866 | SCREW | 1 | 667187- | M8 X 20 |
| | 14M7298 | FLANGE NUT | 1 | 667187- | M8 |
| 24 | 19M8318 | SCREW | 1 | | M8 X 45 |
| 25 | 28H1633 | BUSHING | 1 | | 9.246 X 13.716 X 39.675 MM (0.364" X 0.540" X 1-9/16") |
| 26 | 19M7865 | SCREW | 1 | | M8 X 16 |
| 27 | H136577 | CLAMP | 1 | | |
| 28 | AH117301 | CLAMP | 3 | | |
| 29 | 19M7865 | SCREW | 3 | | M8 X 16 |
| 30 | 14M7298 | FLANGE NUT | 3 | | M8 |

5H7

SEPARATOR SHELL

ENGINE COMPARTMENT (640301-)
HP6928 -UN-29AUG97



HP6928

5H8

SEPARATOR SHELL

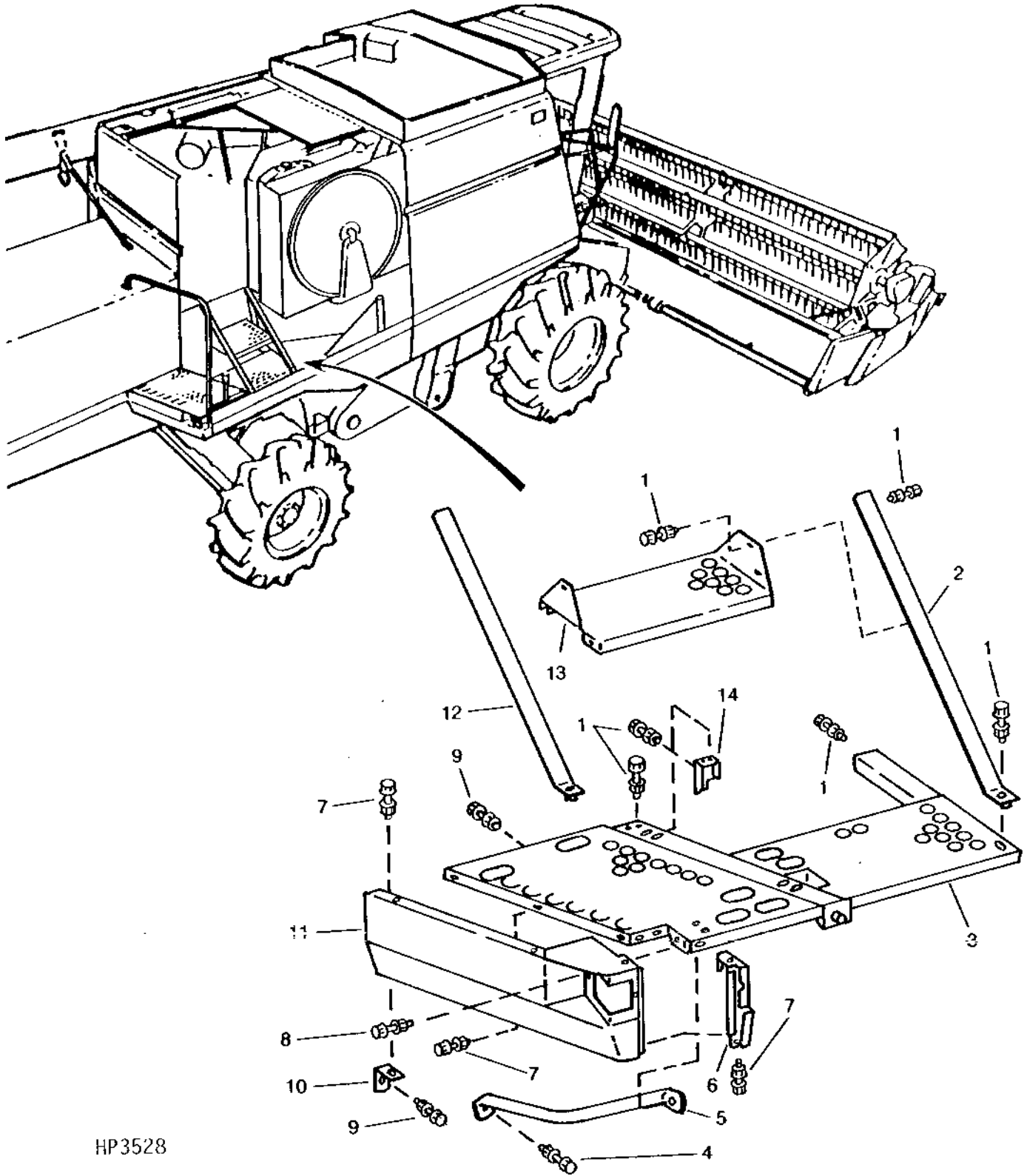
ENGINE COMPARTMENT (640301-) - CONTINUED

| KEY | PART NO. | PART NAME | QTY | SERIAL NO. | REMARKS |
|-----|----------|------------|-----|------------|---|
| 1 | H131526 | ANGLE | 2 | | |
| 2 | 19M7865 | SCREW | 7 | M8 X 16 | |
| | 14M7298 | FLANGE NUT | 7 | M8 | |
| | 14M7298 | FLANGE NUT | 2 | M8 | |
| 3 | H134103 | CHANNEL | 1 | | |
| 4 | H134108 | GUSSET | 1 | | |
| 5 | 21M7243 | WING SCREW | 1 | -22AP96 | M8 X 16 |
| | 19M7865 | SCREW | 1 | | M8 X 16 |
| 6 | H135148 | HALF CLAMP | 1 | | |
| 7 | AH164363 | FRAME | 1 | | (SUB FOR AH130462, AH147478, AH149858 AND AH154641) |
| | H161354 | COVER | 1 | | |
| 8 | 37M7058 | SCREW | 16 | M8 X 20 | |
| 9 | H150318 | SHEET | 1 | | (SUB FOR H127090) |
| 10 | AH122244 | ISOLATOR | 1 | | |
| 11 | H130057 | PIN | 1 | | 12 X 1 660 MM (0.472" X 65.354") (SUB FOR H134464) CUT TO FIT |
| 12 | AH130506 | DOOR | 1 | | |
| 13 | H131743 | MAT | 2 | | |
| 14 | H134506 | HINGE | 1 | | |
| 15 | H165585 | SUPPORT | 1 | | (SUB FOR H137261) |
| 16 | H135393 | STRAP | 1 | | |
| 17 | 19M7805 | SCREW | 4 | M10 X 45 | |
| | 14M7296 | FLANGE NUT | 4 | M10 | |
| 18 | 03M7183 | BOLT | 2 | M8 X 16 | |
| 19 | AH130178 | PANEL | 1 | | LOWER REAR |
| 20 | H135392 | STRAP | 1 | | |
| 21 | H165587 | SUPPORT | 1 | | (SUB FOR H140225) |
| 22 | 19M7866 | SCREW | 2 | M8 X 20 | |
| | 14M7298 | FLANGE NUT | 2 | M8 | |
| 23 | H134107 | GUSSET | 1 | | |
| 24 | H135245 | HOOK | 1 | | |
| 25 | H134105 | GUSSET | 1 | | |
| 26 | 19M7867 | SCREW | 2 | M8 X 25 | |
| | 14M7298 | FLANGE NUT | 2 | M8 | |
| 27 | H136015 | MAT | 1 | 28APR7- | |
| 28 | H136014 | MAT | 1 | 28APR7- | |

5H9

SEPARATOR SHELL

ENGINE ACCESS PLATFORM AND STEP
HP3528 -UN-01JAN94



HP3528

5H10

SEPARATOR SHELL

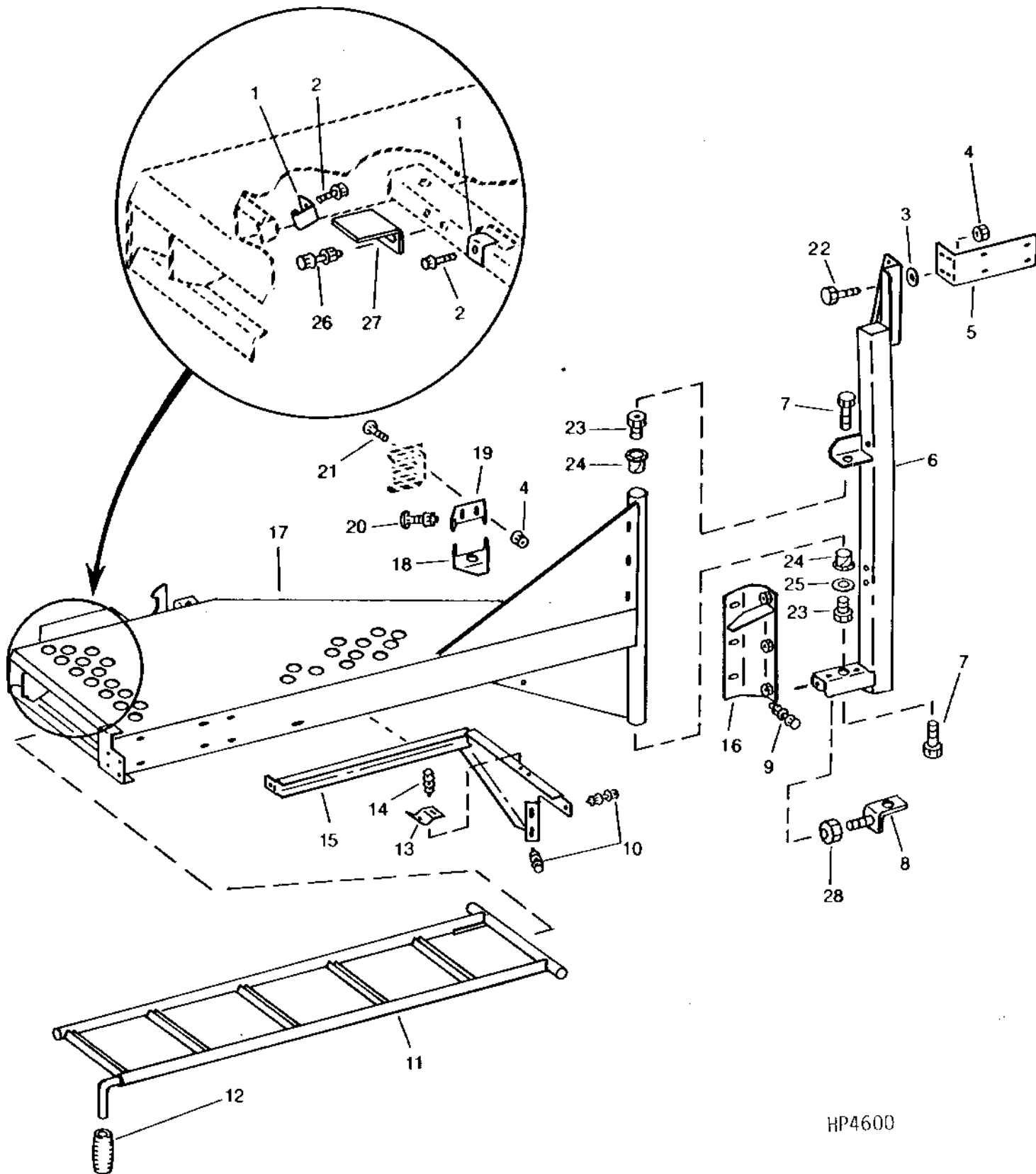
ENGINE ACCESS PLATFORM AND STEP - CONTINUED

| KEY | PART NO. | PART NAME | QTY | SERIAL NO. | REMARKS |
|-----|----------|------------|-----|------------|--------------------------------|
| 1 | 19M7784 | SCREW | 16 | M10 X 20 | |
| | 14M7296 | FLANGE NUT | 16 | M10 | |
| 2 | H130424 | ANGLE | 1 | | |
| 3 | AH156187 | PLATFORM | 1 | | (SUB FOR AH125684 OR AH137935) |
| | AH156186 | PLATFORM | 1 | | (SUB FOR AH135299) |
| 4 | 19M7785 | SCREW | 1 | M10 X 25 | |
| | 14M7296 | FLANGE NUT | 1 | M10 | |
| 5 | H130432 | BRACE | 1 | | |
| 6 | H130431 | PANEL | 1 | | |
| 7 | 19M7865 | SCREW | 7 | M8 X 16 | |
| | 14M7298 | FLANGE NUT | 7 | M8 | |
| 8 | 03M7185 | BOLT | 1 | M8 X 25 | |
| | 14M7298 | FLANGE NUT | 1 | M8 | |
| 9 | 19M7866 | SCREW | 4 | M8 X 20 | |
| | 14M7298 | FLANGE NUT | 4 | M8 | |
| 10 | H131526 | ANGLE | 1 | | |
| 11 | AH125685 | PANEL | 1 | | |
| 12 | H130425 | ANGLE | 1 | | |
| 13 | AH127837 | STEP | 1 | | |
| 14 | H134081 | SUPPORT | 1 | | |

5H11

SEPARATOR SHELL

REAR LADDER AND LANDING
HP4600 -UN-01JAN94



HP4600

5H12

SEPARATOR SHELL

REAR LADDER AND LANDING - CONTINUED

| KEY | PART NO. | PART NAME | QTY | SERIAL NO. | REMARKS |
|-----|----------|------------|-----|---|--------------------|
| 1 | H130555 | STRIP | 4 | | |
| 2 | 37M7060 | SCREW | 4 | M4 X 10 | |
| 3 | H141123 | NUT | 5 | 10 MM (0.394") | |
| 4 | 14M7296 | FLANGE NUT | 7 | M10 | |
| 5 | H129885 | ANGLE | 1 | | |
| 6 | AH137254 | SUPPORT | 1 | | (SUB FOR AH124945) |
| 7 | 19M7851 | SCREW | 2 | M20 X 60 | |
| 8 | AH120216 | ADJUSTER | 1 | | |
| 9 | 19M7784 | SCREW | 3 | M10 X 20 | |
| 10 | 14M7296 | FLANGE NUT | 3 | M10 | |
| | 19M7865 | SCREW | 4 | M8 X 16 | |
| | 14M7298 | FLANGE NUT | 4 | M8 | |
| 11 | AH139782 | LADDER | 1 | | (SUB FOR AH120645) |
| 12 | C3203E | GRIP | 1 | | |
| 13 | H120082 | LATCH | 1 | | |
| 14 | 19M7774 | SCREW | 2 | M6 X 12 | |
| | 14M7303 | FLANGE NUT | 2 | M6 | |
| 15 | AH130193 | CHANNEL | 1 | | |
| 16 | AH125788 | BRACKET | 1 | | |
| 17 | AH136307 | PLATFORM | 1 | -640300 | (SUB FOR AH125787) |
| | AH135298 | PLATFORM | 1 | 640301- | |
| 18 | H142035 | CATCH | 1 | | (SUB FOR H133153) |
| 19 | H133152 | BRACKET | 1 | | |
| 20 | 03M7190 | BOLT | 2 | M10 X 20 | |
| | 24M7178 | WASHER | 2 | 10.500 X 30 X 2.500 MM | |
| 21 | 14M7296 | FLANGE NUT | 2 | M10 | |
| | 03M7190 | BOLT | 2 | M10 X 20 | |
| 22 | 19M7785 | SCREW | 5 | M10 X 25 | |
| 23 | H119411 | PIN | 2 | | |
| 24 | T40867 | BUSHING | 2 | | |
| 25 | Z39386 | WASHER | 1 | 41 X 55 X 2 MM (1.614" X 2.165" X 0.079") | |
| 26 | 19M7775 | SCREW | 2 | M6 X 16 | |
| | 14M7303 | FLANGE NUT | 2 | M6 | |
| 27 | H129004 | ANGLE | 1 | | |
| 28 | A31867 | LOCK NUT | 1 | M12 | |

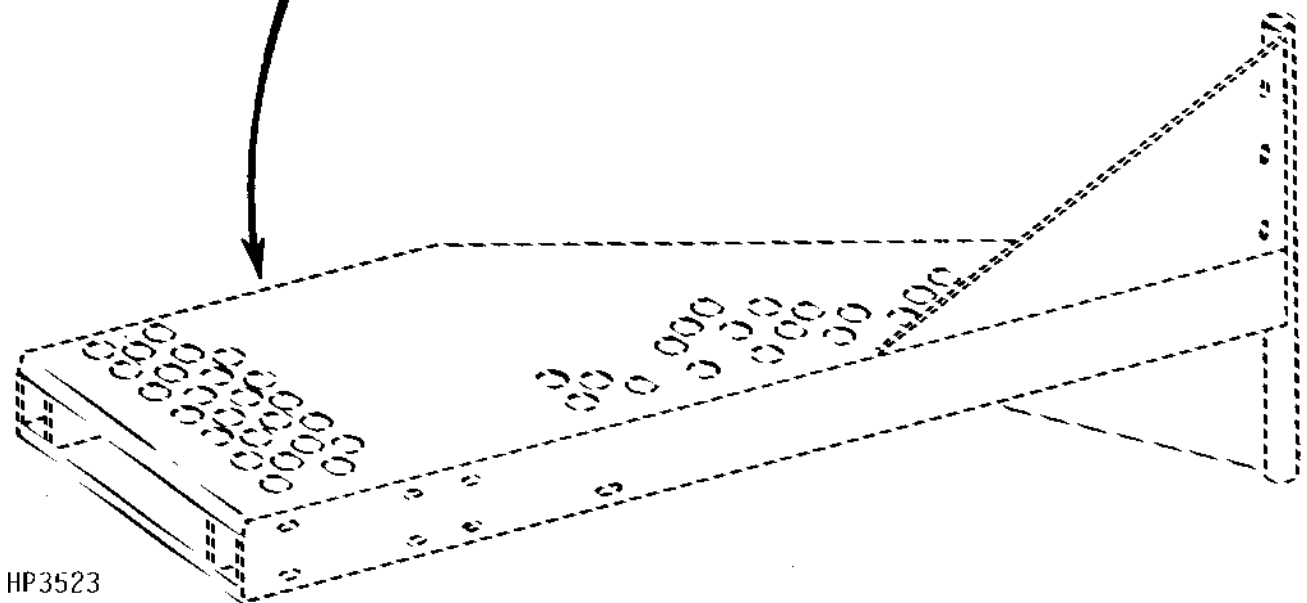
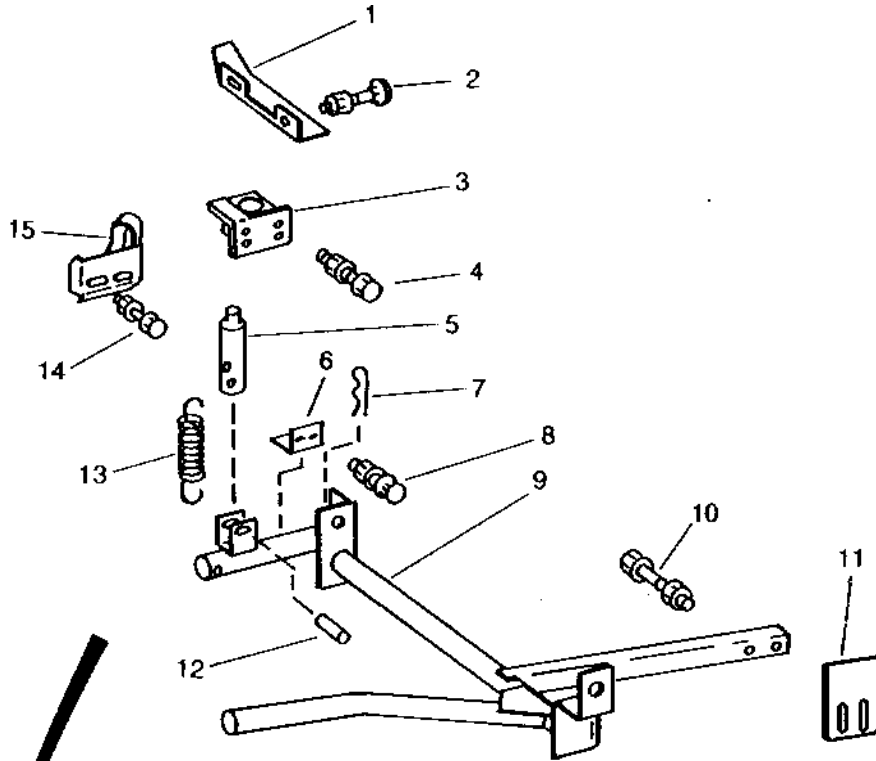
5H13

SEPARATOR SHELL

REAR LADDER LANDING LATCH ARM

(-640300)

HP3523 -UN-01JAN94



HP3523

5H14

SEPARATOR SHELL

REAR LADDER LANDING LATCH ARM - CONTINUED
(-640300)

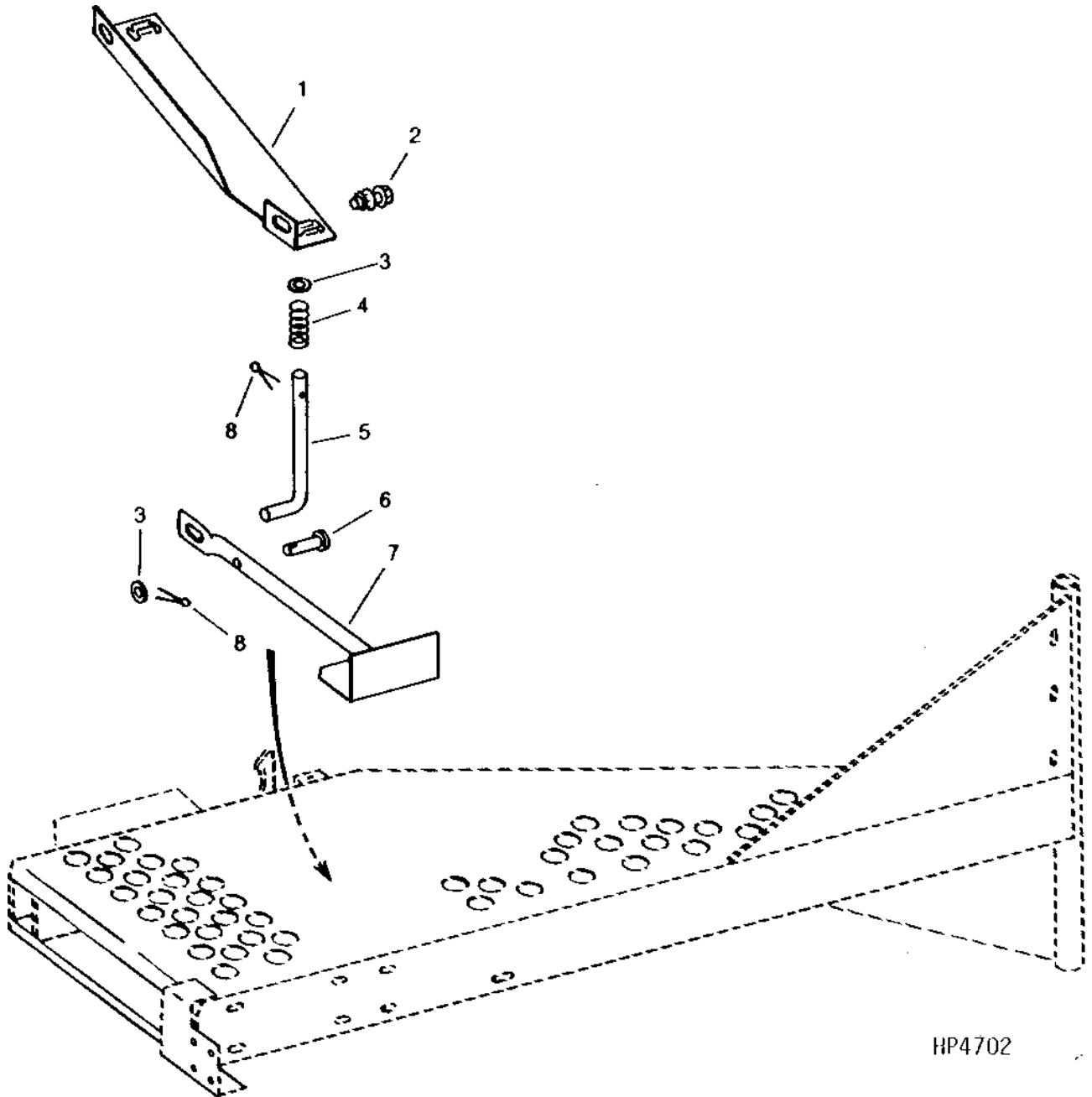
| KEY | PART NO. | PART NAME | QTY | SERIAL NO. | REMARKS |
|-----|----------|--------------------|-----|------------------------|---------|
| 1 | H130615 | CATCH | 1 | | |
| 2 | 03M7190 | BOLT | 2 | M10 X 20 | |
| | 14M7296 | FLANGE NUT | 2 | M10 | |
| 3 | AH130094 | BRACKET | 1 | | |
| 4 | 19M7865 | SCREW | 4 | M8 X 16 | |
| | 14M7298 | FLANGE NUT | 4 | M8 | |
| 5 | H129760 | PIN | 1 | | |
| 6 | H129004 | ANGLE | 1 | | |
| 7 | J16931 | SPRING LOCKING PIN | 2 | | |
| 8 | 19M7775 | SCREW | 2 | M6 X 16 | |
| | 14M7303 | FLANGE NUT | 2 | M6 | |
| 9 | AH134656 | ARM | 1 | | |
| 10 | 19M7784 | SCREW | 2 | M10 X 20 | |
| | 24M7178 | WASHER | 2 | 10.500 X 30 X 2.500 MM | |
| | 14M7296 | FLANGE NUT | 2 | M10 | |
| 11 | H137458 | PLATE | 1 | | |
| 12 | 34M7048 | SPRING PIN | 1 | 8 X 45 MM | |
| 13 | H114562 | EXTENSION SPRING | 1 | | |
| 14 | 19M7784 | SCREW | 2 | M10 X 20 | |
| | 14M7296 | FLANGE NUT | 2 | M10 | |
| 15 | AH128673 | SUPPORT | 1 | | |

5H15

SEPARATOR SHELL

REAR LADDER LANDING LATCH ARM

(640301-)
HP4702 -UN-01JAN94



HP4702

5H16

SEPARATOR SHELL

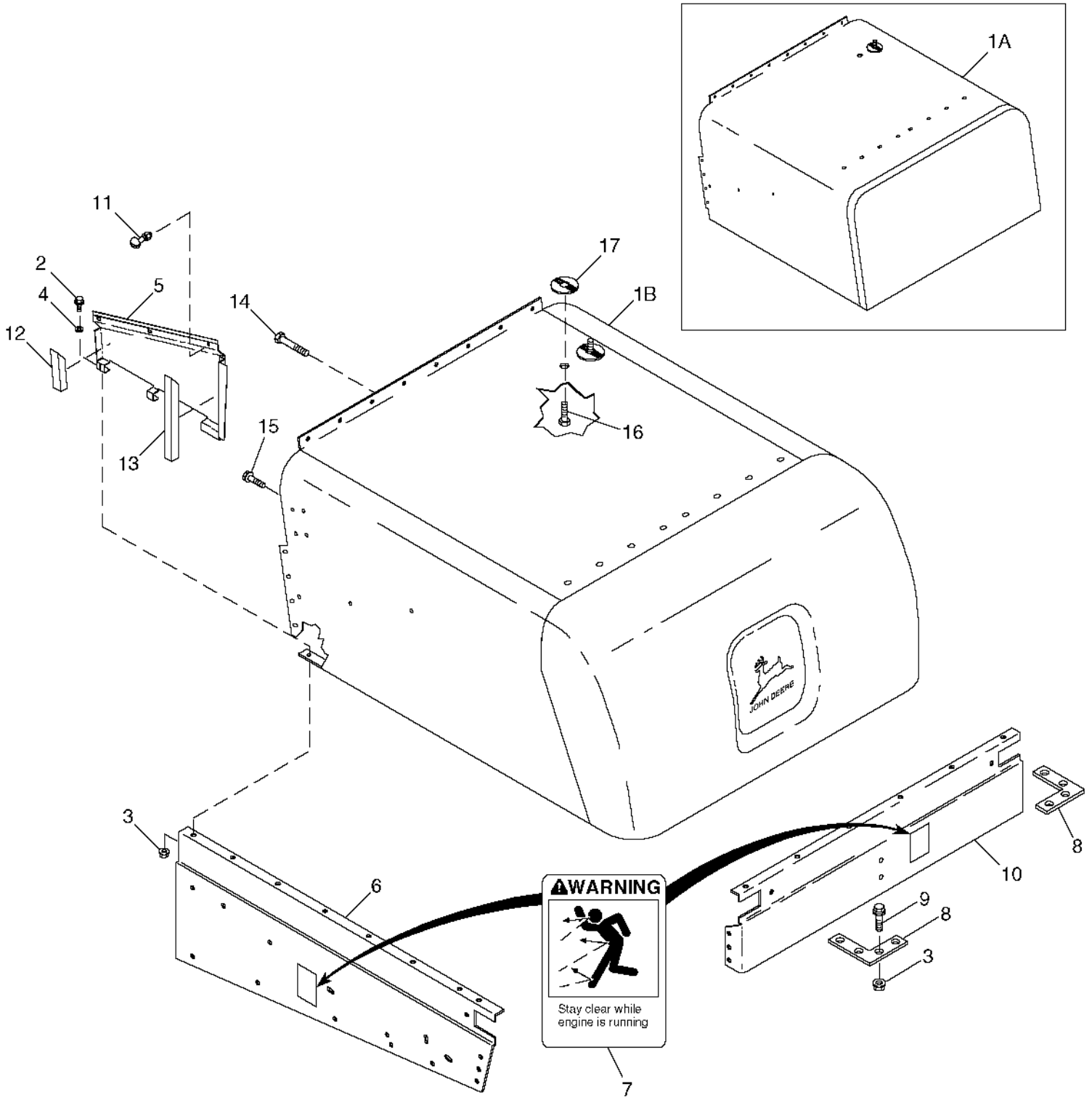
REAR LADDER LANDING LATCH ARM - CONTINUED
(640301-)

| KEY | PART NO. | PART NAME | QTY | SERIAL NO. | REMARKS |
|-----|----------|------------|-----|-------------------------------|---------|
| 1 | H140881 | CATCH | 1 | | |
| 2 | 19M7784 | SCREW | 2 | M10 X 20 | |
| | 14M7296 | FLANGE NUT | 2 | M10 | |
| 3 | 24H1341 | WASHER | 2 | 17/32" X 15/16" X 0.060" | |
| 4 | Y3082BN | SPRING | 1 | | |
| 5 | H140872 | PIN | 1 | | |
| 6 | 45M7088 | PIN | 1 | 10 X 55 MM, (SUB FOR 45M7054) | |
| 7 | AH135300 | ARM | 1 | | |
| 8 | 11M7059 | COTTER PIN | 2 | 3.200 X 20 MM | |

5H17

SEPARATOR SHELL

REAR HOOD
HP9519 -UN-26JAN00



HP9519

5H18

SEPARATOR SHELL

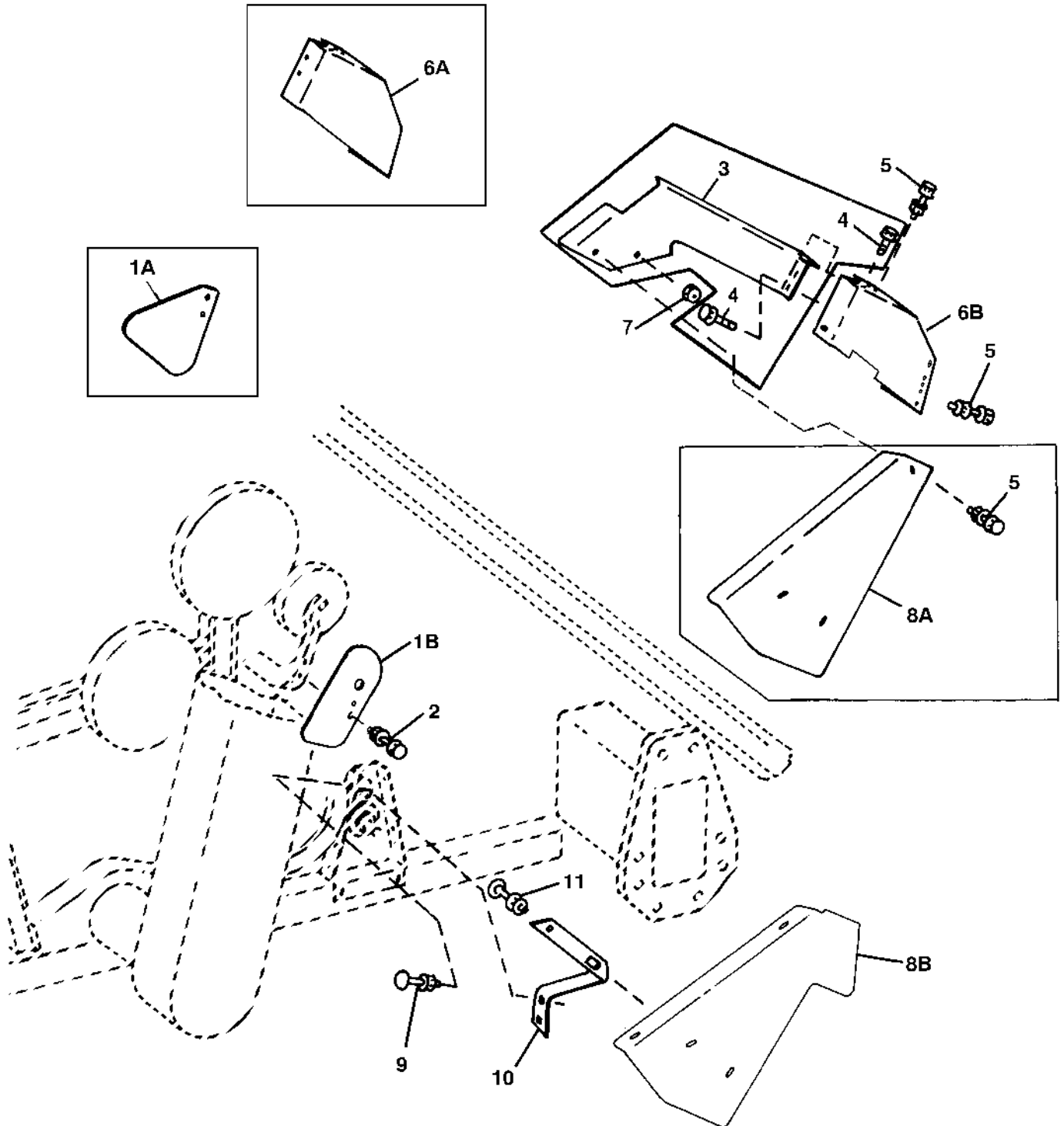
REAR HOOD - CONTINUED

| KEY | PART NO. | PART NAME | QTY | SERIAL NO. | REMARKS |
|-----|----------|---------------|-----|------------|--|
| 1A | AH158262 | HOOD | 1 | | (SUB FOR AH128695, AH142009 OR AH156188) (SUB AH161513) |
| 1B | AH161513 | HOOD | 1 | | (SUB FOR AH158262) |
| 2 | 19M7867 | SCREW | 10 | | M8 X 25 |
| 3 | 14M7298 | FLANGE NUT | 12 | | M8 |
| 4 | 24M7207 | WASHER | 6 | | 8.400 X 24 X 2 MM |
| 5 | AH125535 | PANEL | 1 | -645548 | L.H. (SUB AH126839, AH125533 AND AH125534) |
| | AH126839 | PANEL | 1 | 645549- | L.H. |
| | AH158263 | PANEL | 1 | | (SUB FOR AH144854 OR AH156192) L.H. |
| | AH126838 | PANEL | 1 | 645549- | R.H. |
| | AH158849 | PANEL | 1 | 656509- | (SUB FOR AH144855) R.H. |
| 6 | AH125585 | SHEET | 1 | -640300 | L.H.- INCLUDES MOUNTED DECAL H138989 |
| | AH135477 | SHEET | 1 | 640301- | L.H. |
| | AH125584 | SHEET | 1 | -640300 | R.H. INCLUDES MOUNTED DECAL H138989 |
| | AH135476 | SHEET | 1 | 640301- | R.H. |
| 7 | H149096 | LABEL | 3 | | (SUB FOR H138989) "PROJECTILE WARNING" ON R.H. REAR HOOD |
| 8 | H150749 | REINFORCEMENT | 1 | | (SUB FOR H137343) |
| 9 | 19M7866 | SCREW | 2 | | M8 X 20 |
| 10 | AH135480 | SHEET | 1 | | |
| 11 | 21M7089 | SCREW | 6 | | M8 X 20 |
| | 14M7298 | FLANGE NUT | 6 | | M8 |
| 12 | AH125534 | WEATHERSTRIP | 1 | 645549- | |
| 13 | AH125533 | WEATHERSTRIP | 1 | 645549- | |
| 14 | 19M7865 | SCREW | AR | | M8 X 16 |
| 15 | 37M7080 | SCREW | 6 | | M10 X 30 |
| 16 | 03M7307 | BOLT | 2 | 29SEP7- | M10 X 25 |
| 17 | H141123 | NUT | 2 | 29SEP7- | |

5H19

SEPARATOR SHELL

AUGER DRIVE SHIELDS (R.H. SIDE)
HP6538 -UN-15NOV96



HP6538

5H20

SEPARATOR SHELL

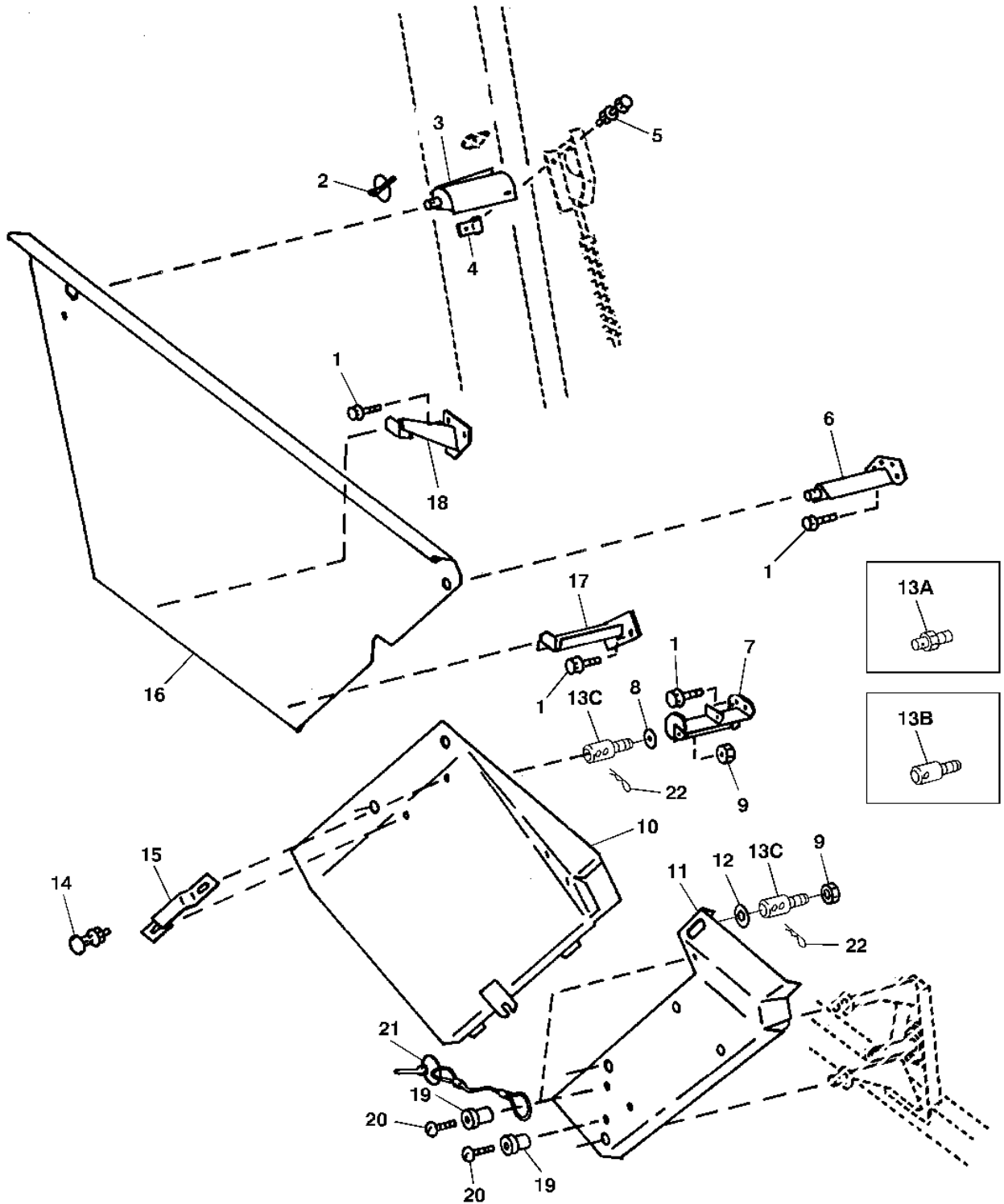
AUGER DRIVE SHIELDS (R.H. SIDE) - CONTINUED

| KEY | PART NO. | PART NAME | QTY | SERIAL NO. | REMARKS |
|-----|----------|------------|-----|---------------|--------------------------|
| 1A | H128884 | SHIELD | 1 | -645200 | |
| 1B | H141772 | SHIELD | 1 | 645201- | |
| 2 | 19M3131 | CAP SCREW | 2 | | M8 X 25 |
| | 14M7298 | FLANGE NUT | 2 | | M8 |
| 3 | H135860 | SHIELD | 1 | -640200 | AUGER DRIVE IDLER |
| 4 | 19M7865 | SCREW | 3 | -640200 | M8 X 16 |
| 5 | 19M7865 | SCREW | 4 | | M8 X 16 |
| | 14M7298 | FLANGE NUT | 4 | | M8 |
| 6A | AH135633 | SHIELD | 1 | -665977 | |
| 6B | AH146783 | SHIELD | 1 | | |
| 7 | 14M7299 | FLANGE NUT | 1 | | M12 |
| 8A | H134383 | SHIELD | 1 | -640200 | (SUB H141770) SHOE DRIVE |
| 8B | H141770 | SHIELD | 1 | | |
| 9 | 03M7184 | BOLT | 2 | -635200 | |
| | 19M7866 | SCREW | 2 | 635201- | M8 X 20 |
| | 14M7298 | FLANGE NUT | 2 | | M8 |
| 10 | H134414 | STRAP | 1 | -640200 | |
| | H143331 | STRAP | 1 | 640201-650200 | (SUB H146756) |
| | H146756 | STRAP | 1 | | |
| 11 | 03M7183 | BOLT | 2 | | M8 X 16 |
| | 14M7298 | FLANGE NUT | 2 | | M8 |
| .. | H141771 | SUPPORT | 1 | | |

5H21

SEPARATOR SHELL

MUD AND FAN DRIVE SHIELDS (L.H. SIDE)
HP6527 -UN-23AUG96



HP6527

5H22

SEPARATOR SHELL

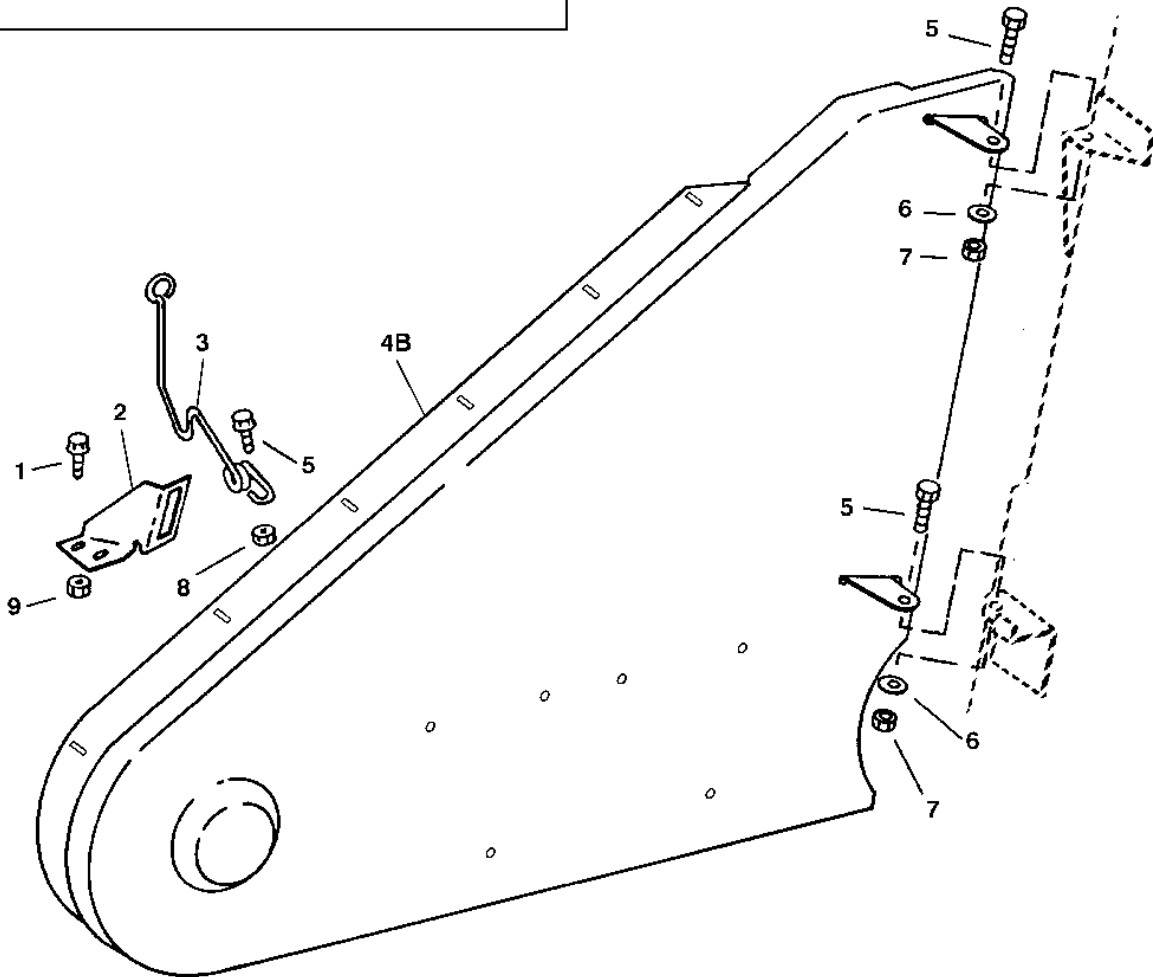
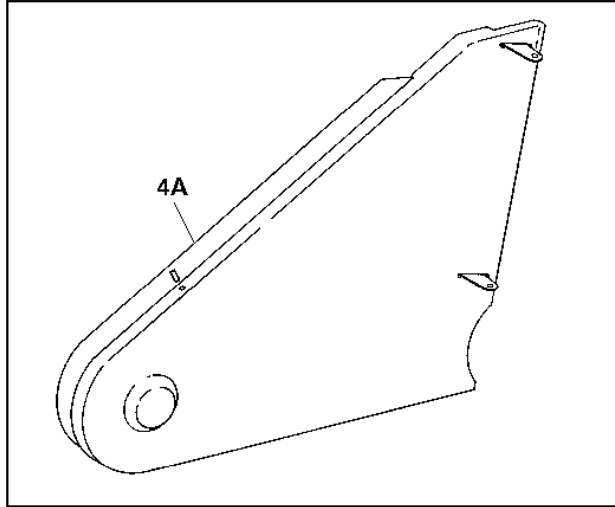
MUD AND FAN DRIVE SHIELDS (L.H. SIDE) - CONTINUED

| KEY | PART NO. | PART NAME | QTY | SERIAL NO. | REMARKS |
|-----|----------------|------------------------------------|----------|------------|-------------------------|
| 1 | 19M7865 | SCREW | 14 | | M8 X 16 |
| 2 | M72598 | QUICK LOCK PIN | 6 | -640300 | |
| 3 | AH130941 | BRACKET | 1 | | |
| 4 | R46414 | CLAMP | 1 | | |
| 5 | 19M7865 | SCREW | 2 | | M8 X 16 |
| | 14M7298 | FLANGE NUT | 2 | | M8 |
| 6 | AH130945 | BRACKET | 1 | | |
| 7 | AH130944 | BRACKET | 1 | | |
| 8 | 24M7178 | WASHER | 1 | | 10.500 X 30 X 2.500 MM |
| 9 | 14M7296 | FLANGE NUT | 2 | | M10 |
| 10 | AH125820 | SHIELD | 1 | | CENTER |
| 11 | AH137201 | SHIELD | 1 | | (SUB FOR AH125821) |
| 12 | 24H1314 | WASHER | 1 | | 13/32" X 1-3/4" X 7/64" |
| 13A | H130636 | STUD | 2 | -640300 | (SUB H141975) |
| 13B | H141975 | STUD | 2 | -665300 | |
| 13C | H154757 | STUD | 2 | 665301- | |
| 14 | 03M7183 | BOLT | 2 | | M8 X 16 |
| | 14M7298 | FLANGE NUT | 2 | | M8 |
| 15 | H85184 | HANDLE | 1 | | |
| 16 | H127465 | SHIELD | 1 | -640300 | |
| | H140300 | SHIELD | 1 | 640301- | |
| 17 | AH128914 | BRACKET | 1 | | |
| 18 | AH130197 | BRACKET | 1 | | |
| 19 | M93425 | SPACER | 2 | 640301- | |
| 20 | 21M7125 | SCREW | 2 | 640301- | M8 X 25 |
| 21 | AH135290 | QUICK LOCK PIN | 2 | 640301- | |
| 22 | A15147 | SPRING LOCKING PIN | 2 | 665806- | |
| .. | BH79513 | COMPLETE GOODS/SHIP. BUNDLE | 1 | | MUDSHIELDS |
| .. | BH80037 | COMPLETE GOODS/SHIP. BUNDLE | 1 | | MUDSHIELDS |

5H23

SEPARATOR SHELL

DRIVE SHIELD (R.H. REAR)
HP6540 -UN-23AUG96



HP6540

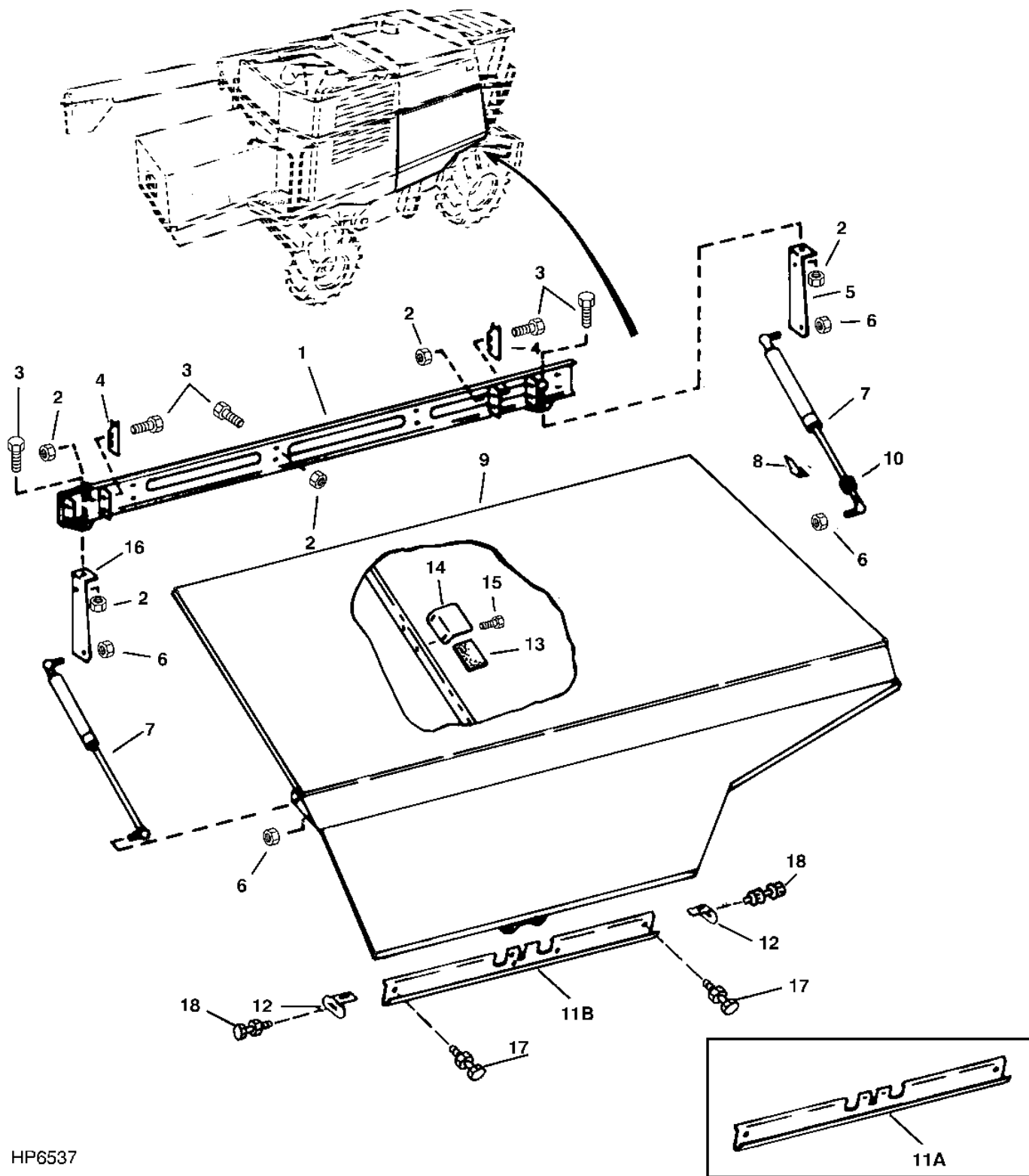
5H24

SEPARATOR SHELL

DRIVE SHIELD (R.H. REAR) - CONTINUED

| KEY | PART NO. | PART NAME | QTY | SERIAL NO. | REMARKS |
|-----|----------|------------|-----|------------|--------------------|
| 1 | 19M7866 | SCREW | 2 | | M8 X 20 |
| 2 | H131470 | BRACKET | 1 | -630300 | |
| | H141813 | BRACKET | 1 | 630301- | |
| 3 | H130930 | SPRING | 1 | | |
| 4A | AH123921 | SHIELD | 1 | | |
| 4B | AH146361 | SHIELD | 1 | 666173- | |
| 5 | 19M7785 | SCREW | 3 | | M10 X 25 |
| 6 | 24M7028 | WASHER | 2 | | 10.500 X 20 X 2 MM |
| 7 | 14M7400 | LOCK NUT | 1 | | M10 |
| 8 | 14M7296 | FLANGE NUT | 1 | | M10 |
| 9 | 14M7298 | FLANGE NUT | 2 | | M8 |
| .. | H160249 | SHIELD | 1 | 670820- | (SUB FOR H147137) |

R.H. SERVICE ACCESS SHIELD
HP6537 -UN-23AUG96

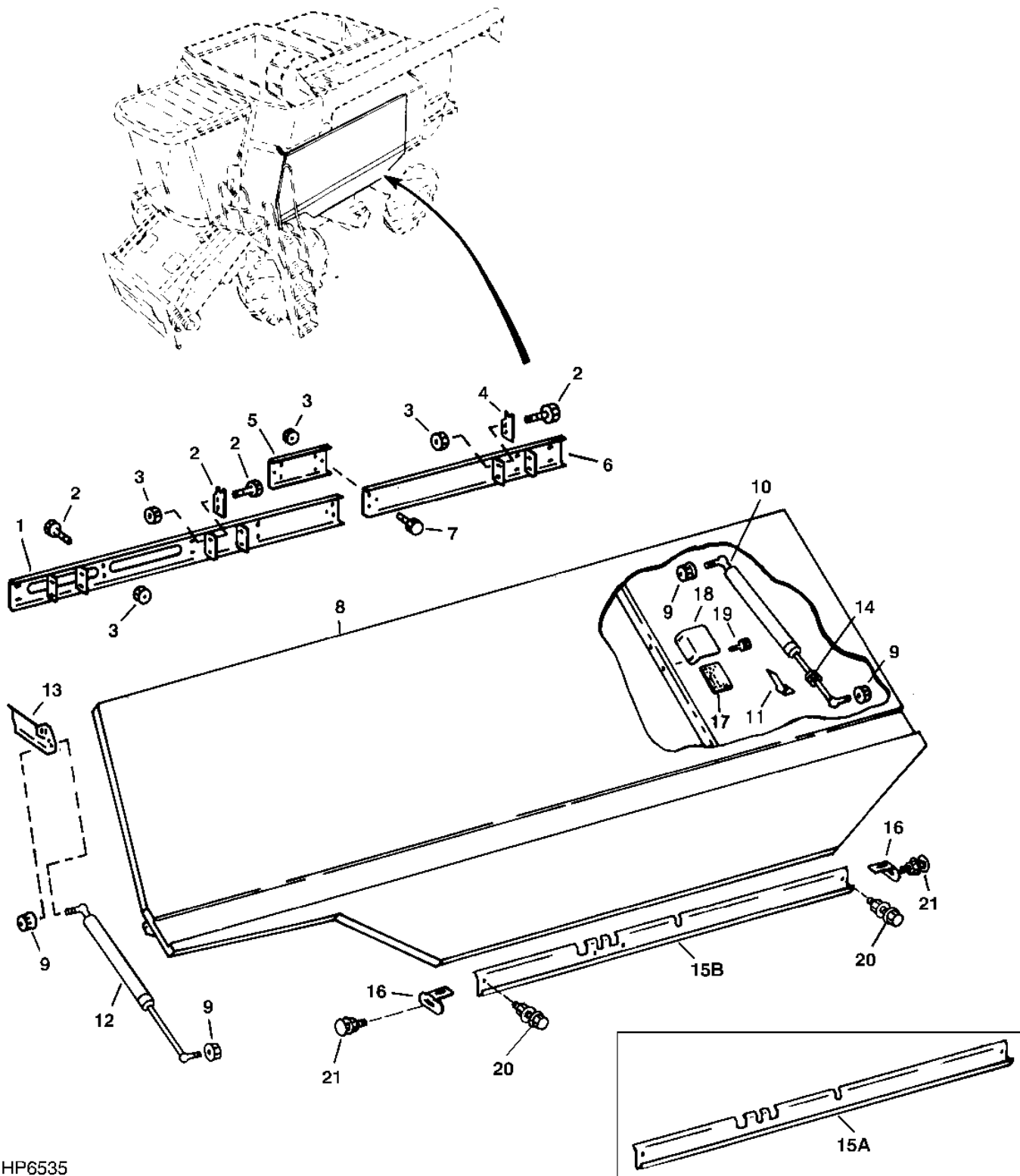


HP6537

R.H. SERVICE ACCESS SHIELD - CONTINUED

| KEY | PART NO. | PART NAME | QTY | SERIAL NO. | REMARKS |
|-----|----------|-----------------------|-----|------------|---|
| 1 | AH166713 | CHANNEL | 1 | | (SUB FOR AH125306) |
| 2 | 14M7296 | FLANGE NUT | 10 | | M10 |
| 3 | 19M7784 | SCREW | 10 | | M10 X 20 |
| 4 | H125537 | PLATE | 2 | | |
| 5 | H139056 | BRACKET | 1 | | |
| 6 | 14M7298 | FLANGE NUT | 4 | | M8 |
| 7 | AH128596 | GAS OPERATED CYLINDER | 2 | | (SUB FOR AH143219) |
| 8 | H135965 | STOP | 1 | | |
| 9 | AH151894 | DOOR | 1 | | (SUB FOR AH127716) R.H. FRONT (FRENCH ONLY) |
| 10 | M68701 | GROMMET | 1 | | |
| 11A | H130039 | DEFLECTOR | 1 | | |
| 11B | H152048 | DEFLECTOR | 1 | 666173- | |
| 12 | H132822 | ANGLE | 2 | | |
| 13 | H143453 | FOAM PAD | 2 | | (SUB FOR H129406) |
| 14 | H143454 | BRACKET | 2 | | (SUB FOR H129843) |
| 15 | 37M7083 | SCREW | 4 | | M8 X 12 |
| 16 | H129833 | BRACKET | 1 | | |
| 17 | 19M7865 | SCREW | 2 | | M8 X 16 |
| | 14M7298 | FLANGE NUT | 2 | | M8 |
| 18 | 03M7183 | BOLT | 2 | | M8 X 16 |
| | 14M7298 | FLANGE NUT | 2 | | M8 |

L.H. SERVICE ACCESS SHIELD
HP6535 -UN-23AUG96

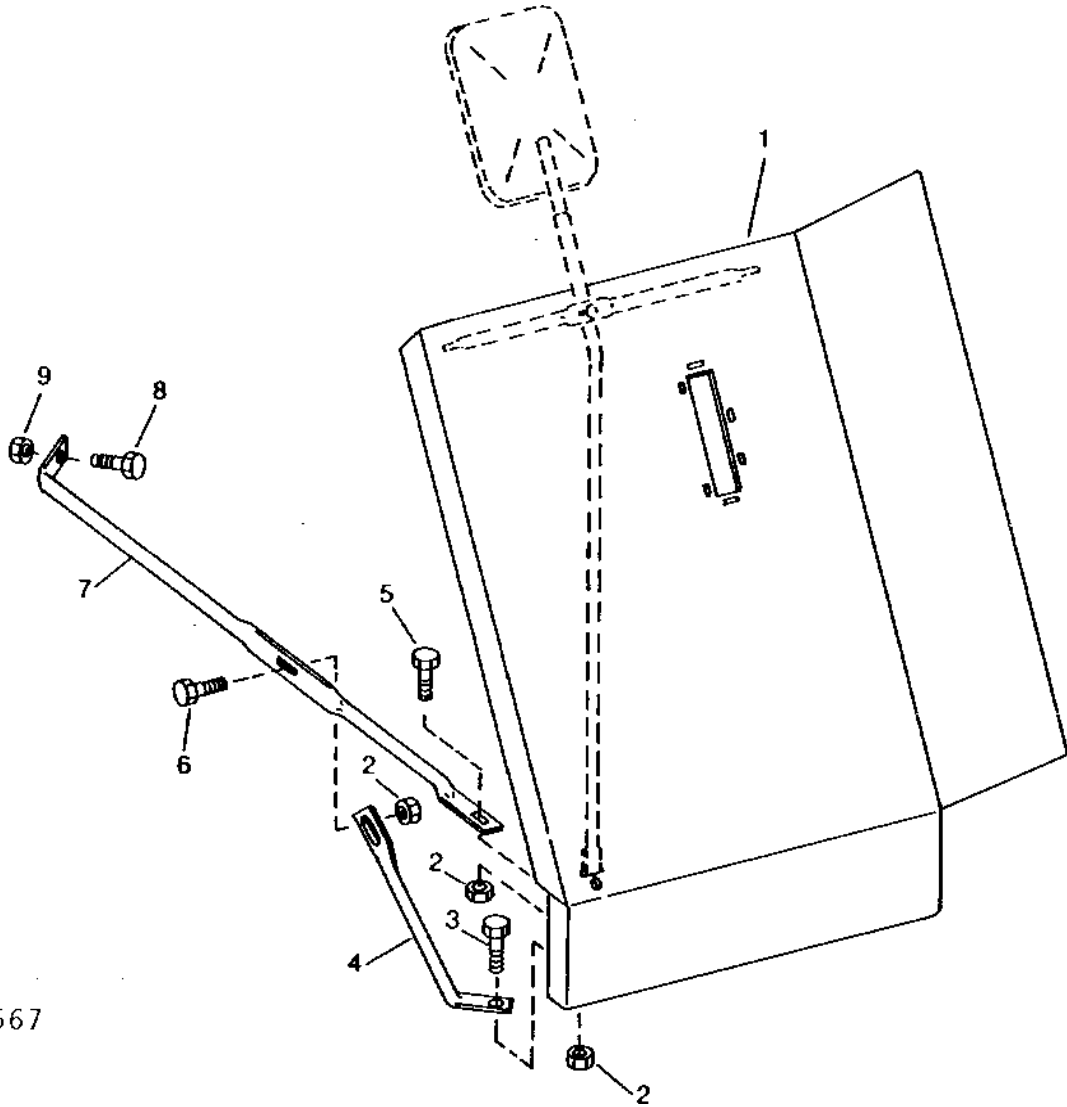


HP6535

L.H. SERVICE ACCESS SHIELD - CONTINUED

| KEY | PART NO. | PART NAME | QTY | SERIAL NO. | REMARKS |
|-----|----------|-----------------------|-----|------------|--------------------------|
| 1 | AH166714 | CHANNEL | 1 | | (SUB FOR AH125478) |
| 2 | 19M7785 | SCREW | 12 | | M10 X 25 |
| 3 | 14M7296 | FLANGE NUT | 18 | | M10 |
| 4 | H125537 | PLATE | 2 | | |
| 5 | H132008 | CHANNEL | 1 | | |
| 6 | AH127275 | CHANNEL | 1 | | |
| 7 | 19M7784 | SCREW | 6 | | M10 X 20 |
| 8 | AH127704 | DOOR | 1 | | |
| 9 | 14M7298 | FLANGE NUT | 4 | | M8 |
| 10 | AH128598 | GAS OPERATED CYLINDER | 1 | | (SUB FOR AH143218) REAR |
| 11 | H135965 | STOP | 1 | | |
| 12 | AH128597 | GAS OPERATED CYLINDER | 1 | | (SUB FOR AH143033) FRONT |
| 13 | H127677 | BRACKET | 1 | | |
| 14 | M68701 | GROMMET | 1 | | |
| 15A | H130521 | DEFLECTOR | 1 | | |
| 15B | H152047 | DEFLECTOR | 1 | 666173- | |
| 16 | H132822 | ANGLE | 2 | | |
| 17 | H143453 | FOAM PAD | 3 | | (SUB FOR H129406) |
| 18 | H143454 | BRACKET | 3 | | (SUB FOR H129843) |
| 19 | 37M7083 | SCREW | 6 | | M8 X 12 |
| 20 | 19M7865 | SCREW | 2 | | M8 X 16 |
| | 14M7298 | FLANGE NUT | 2 | | M8 |
| 21 | 03M7183 | BOLT | 2 | | M8 X 16 |
| | 14M7298 | FLANGE NUT | 2 | | M8 |

R.H. FRONT CORNER SHEET
HP3567 -UN-01JAN94

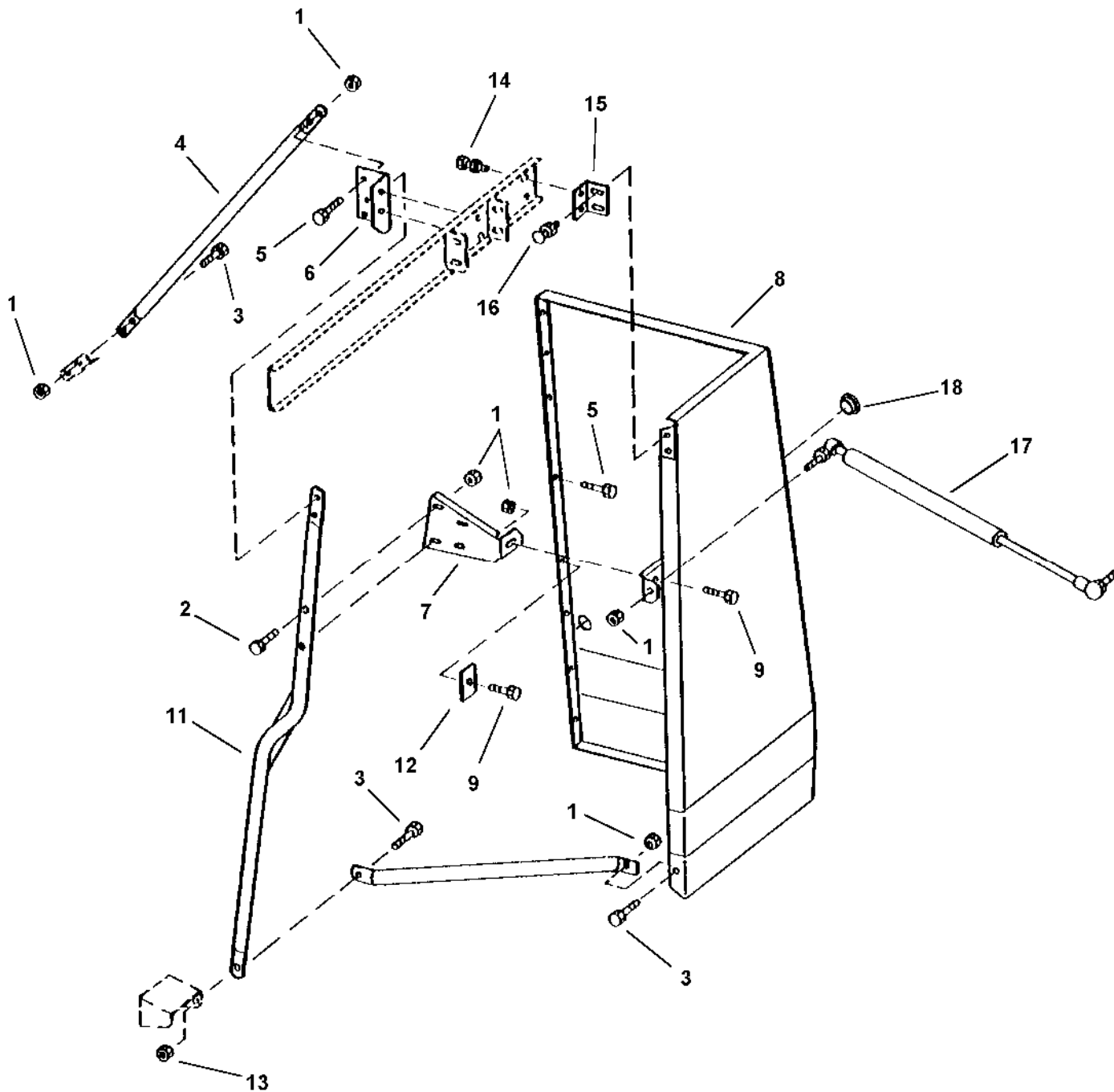


HP3567

R.H. FRONT CORNER SHEET - CONTINUED

| KEY | PART NO. | PART NAME | QTY | SERIAL NO. | REMARKS |
|-----|----------|------------|-----|------------|----------|
| 1A | AH126182 | PANEL | 1 | -29SEP7 | |
| 1B | AH147093 | PANEL | 1 | 29SEP7- | |
| 2 | 14M7298 | FLANGE NUT | 5 | | M8 |
| 3 | 19M7866 | SCREW | 4 | | M8 X 20 |
| 4 | H127410 | BRACE | 1 | | |
| 5 | 19M7865 | SCREW | 1 | | M8 X 16 |
| 6 | 19M7867 | SCREW | 1 | -641086 | M8 X 25 |
| | 03M7185 | BOLT | 1 | 641087- | M8 X 25 |
| 7 | H127408 | BRACE | 1 | | |
| 8 | 19M7785 | SCREW | 1 | | M10 X 25 |
| 9 | 14M7296 | FLANGE NUT | 1 | | M10 |

L.H. REAR CORNER SHEET
HP7250 -UN-06NOV97



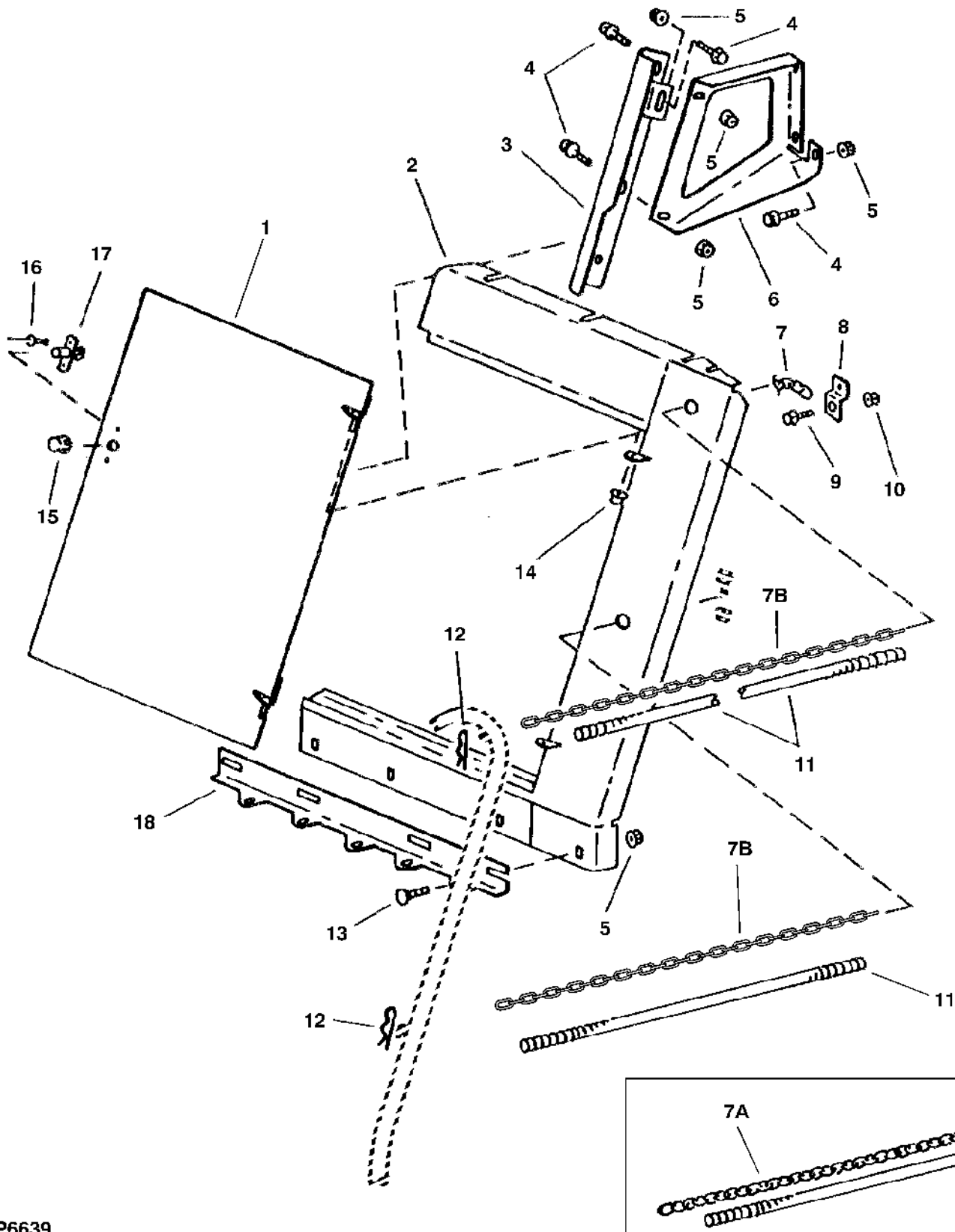
HP7250

L.H. REAR CORNER SHEET - CONTINUED

| KEY | PART NO. | PART NAME | QTY | SERIAL NO. | REMARKS |
|-----|----------|-----------------------|-----|------------|--|
| 1 | 14M7298 | FLANGE NUT | 10 | -650770 | M8 |
| | 14M7298 | FLANGE NUT | 9 | 650771- | M8 |
| 2 | 19M8317 | SCREW | 2 | | M8 X 40 |
| | 19M8318 | SCREW | 2 | | M8 X 45 |
| 3 | 19M7868 | SCREW | 3 | | M8 X 30 |
| 4 | H132948 | BRACE | 1 | | |
| 5 | 19M7866 | SCREW | 6 | | M8 X 20 |
| 6 | H131543 | BRACKET | 1 | | |
| 7 | H132857 | BRACKET | 1 | -642078 | |
| | H144029 | BRACKET | 1 | 642079- | |
| 8 | AH158487 | PANEL | 1 | 29SEP7- | (SUB FOR AH128014, AH136162 OR AH156190) |
| 9 | 19M7867 | SCREW | 6 | | M8 X 25 |
| 10 | H132949 | BRACE | 1 | | |
| 11 | AH126564 | BRACE | 1 | | |
| 12 | H137534 | STRAP | 5 | | |
| 13 | 14M7396 | LOCK NUT | 1 | 650771- | M8 |
| 14 | 19M7785 | SCREW | 2 | | M10 X 25 |
| | 14M7196 | NUT | 2 | | M3 |
| 15 | H126672 | BRACKET | 1 | | |
| 16 | 19M7785 | SCREW | 2 | | |
| | 14M7296 | FLANGE NUT | 2 | | |
| 17 | AH128598 | GAS OPERATED CYLINDER | 1 | | (SUB FOR AH143218) (REAR) |
| 18 | R67363 | PLUG | 1 | 8JUL97- | |

L.H. FRONT CORNER SHEET AND DOOR

HP6639 -UN-10FEB97



HP6639

5110

SEPARATOR SHELL

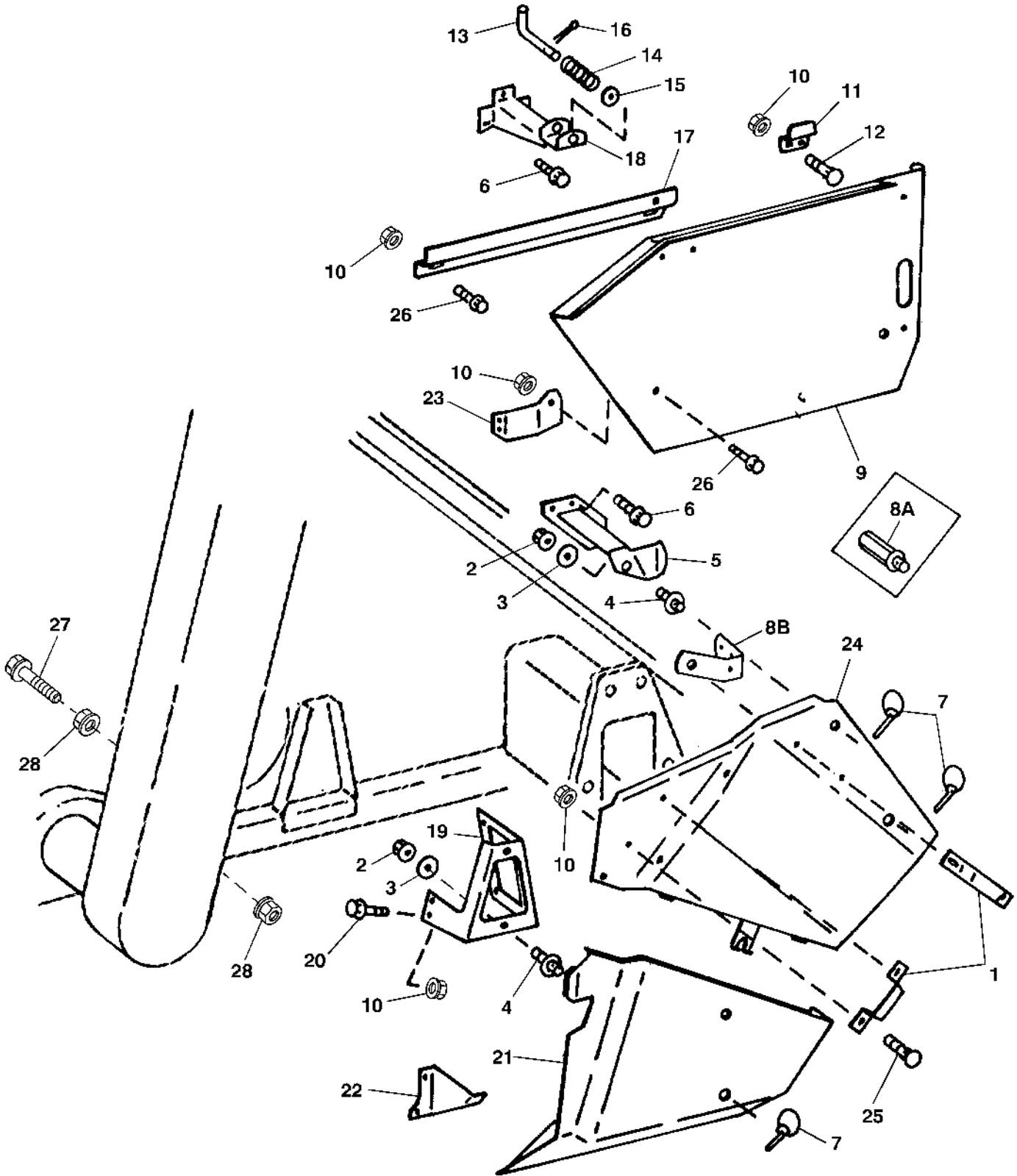
L.H. FRONT CORNER SHEET AND DOOR - CONTINUED

| KEY | PART NO. | PART NAME | QTY | SERIAL NO. | REMARKS |
|-----|----------|--------------------|-----|------------|-----------------|
| 1 | AH125641 | DOOR | 1 | | |
| 2 | AH125640 | PANEL | 1 | -645306 | |
| | AH141743 | PANEL | 1 | 645307- | |
| 3 | AH125642 | ANGLE | 1 | -667002 | |
| | H130364 | ANGLE | 1 | 667003- | |
| 4 | 19M7865 | SCREW | 9 | | M8 X 16 |
| 5 | 14M7298 | FLANGE NUT | 10 | | M8 |
| 6 | H130363 | BRACKET | 1 | | |
| 7 | AH130393 | SWAY CHAIN | 2 | -650300 | (SUB AN152995) |
| | AN152995 | LINK CHAIN | 2 | -661672 | |
| | AH146041 | SAFETY CHAIN | 2 | 661673- | 34 LINKS |
| 8 | H131628 | BRACKET | 1 | | |
| 9 | 19M7775 | SCREW | 1 | | M6 X 16 |
| 10 | 14M7303 | FLANGE NUT | 1 | | M6 |
| 11 | H134306 | TUBE | 2 | -657801 | (SUB AH145703) |
| | AH145703 | SAFETY CHAIN | 2 | -660300 | (SUB AH146041) |
| | AH146041 | SAFETY CHAIN | 2 | | |
| 12 | B32630 | SPRING LOCKING PIN | 2 | | |
| 13 | 03M7183 | BOLT | 4 | | M8 X 16 |
| 14 | H120499 | NUT | 2 | | 6 MM (0.236") |
| 15 | H121391 | KNOB | 1 | | |
| 16 | H64584 | RIVET | 1 | | 3.175 MM (1/8") |
| 17 | AH125644 | LATCH | 1 | | |
| 18 | H130362 | ANGLE | 1 | | |

5111

SEPARATOR SHELL

MUD SHIELDS (R.H. SIDE)
HP6721 -UN-14MAY97



HP6721

MUD SHIELDS (R.H. SIDE) - CONTINUED

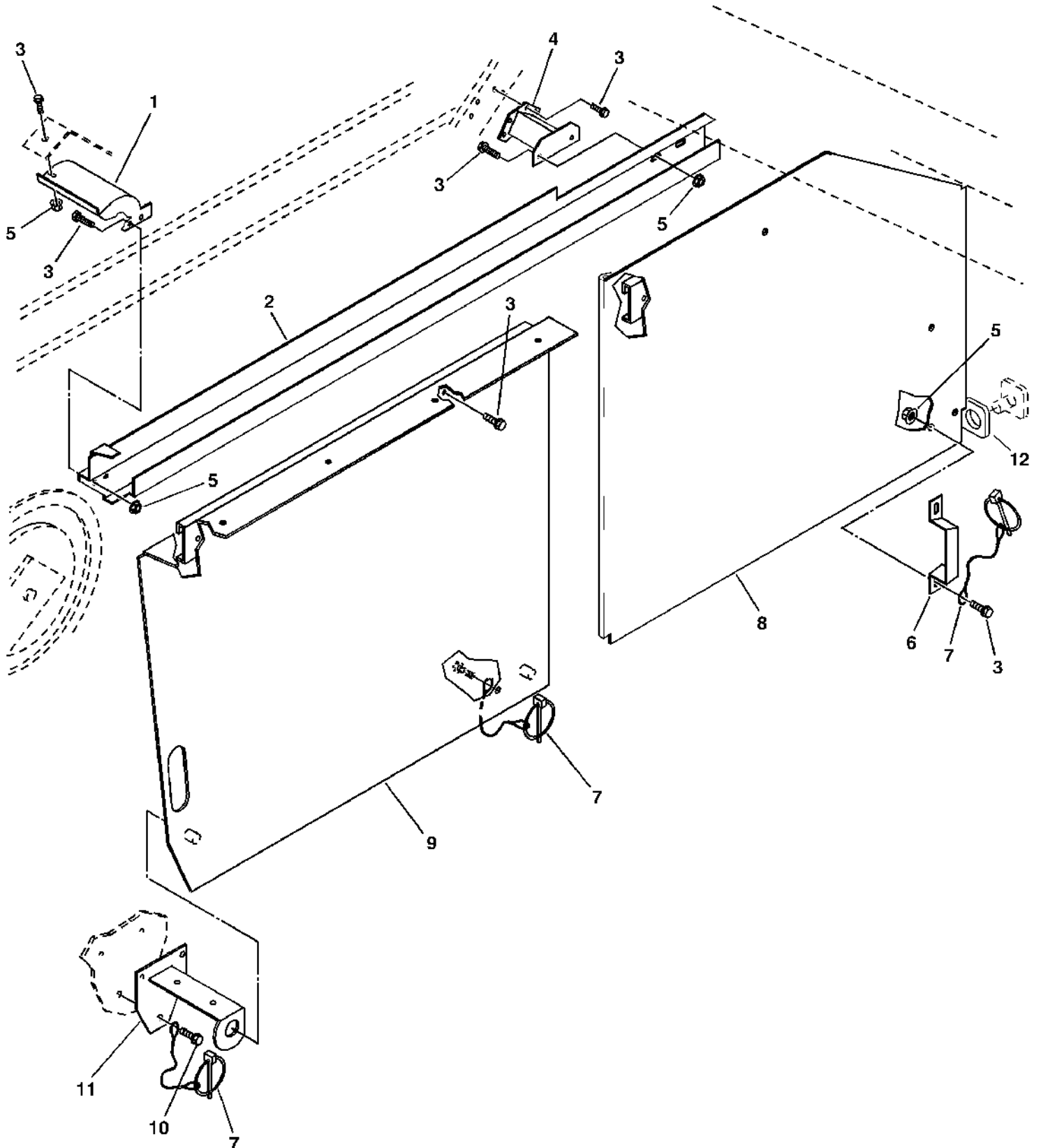
| KEY | PART NO. | PART NAME | QTY | SERIAL NO. | REMARKS |
|-----|----------------|------------------------------------|-----|---------------|--|
| 1 | H85184 | HANDLE | 2 | | |
| 2 | 14M7296 | FLANGE NUT | 3 | | M10 |
| 3 | 24M7178 | WASHER | 3 | | 10.500 X 30 X 2.500 MM |
| 4 | H141975 | STUD | 3 | -665300 | |
| | H154757 | STUD | 3 | 665301- | |
| 5 | AH136355 | BRACKET | 1 | | (SUB FOR AH130946) |
| 6 | 19M7865 | SCREW | 2 | | M8 X 16 |
| | 37M7058 | SCREW | 2 | | M8 X 20 |
| 7 | M72598 | QUICK LOCK PIN | 3 | | |
| 8A | AH130481 | STUD | 1 | -640300 | |
| 8B | H141979 | BRACKET | 1 | 640301- | |
| 9 | AH122616 | SHIELD | 1 | | |
| 10 | 14M7298 | FLANGE NUT | 11 | | M8, CENTER |
| 11 | H127732 | GUIDE | 1 | | FAN DRIVE |
| 12 | 03M7184 | BOLT | 2 | | M8 X 20 |
| 13 | H150746 | PIN | 1 | | (SUB FOR H78557) |
| 14 | HZ5621H | SPRING | 1 | | |
| 15 | 24H1305 | WASHER | 1 | | 13/32" X 13/16" X 0.065" |
| 16 | 11M1383 | COTTER PIN | 1 | | 3.200 X 20 MM (0.126" X 0.787") (SUB FOR 11H211) |
| 17A | H127731 | GUIDE | 1 | -666172 | |
| 17B | H152135 | GUIDE | 1 | 666173- | |
| 18 | AH136285 | BRACKET | 1 | | (SUB FOR AH122619) |
| 19 | H146757 | BRACKET | 1 | | (SUB FOR H131362 OR H141978) |
| 20 | 19M7866 | SCREW | 2 | | M8 X 20 |
| 21 | AH126352 | SHIELD | 1 | | |
| 22 | H131876 | BRACKET | 1 | | |
| 23 | AH155669 | BRACKET | 1 | | (SUB FOR AH130132 OR AH135375) |
| 24 | AH126620 | SHIELD | 1 | | |
| 25 | 03M7183 | BOLT | 4 | | M8 X 16 |
| 26 | 19M7865 | SCREW | 2 | | M8 X 16 |
| 27 | 19M8413 | CAP SCREW | 1 | 670910-671855 | M12 X 150 |
| | 19M8037 | CAP SCREW | 1 | 671856- | M12 X 180 |
| 28 | 14M7299 | FLANGE NUT | 2 | 670910- | M12 |
| .. | BH80037 | COMPLETE GOODS/SHIP. BUNDLE | 1 | | MUDSHIELDS |
| .. | BH79821 | COMPLETE GOODS/SHIP. BUNDLE | 1 | | MUDSHIELDS - R.H. |

5113

SEPARATOR SHELL

LEFT SIDE FRONT SHIELD ASSEMBLY

(29SEP97 -)
HP7403 -UN-11FEB98



HP7403

5114

SEPARATOR SHELL

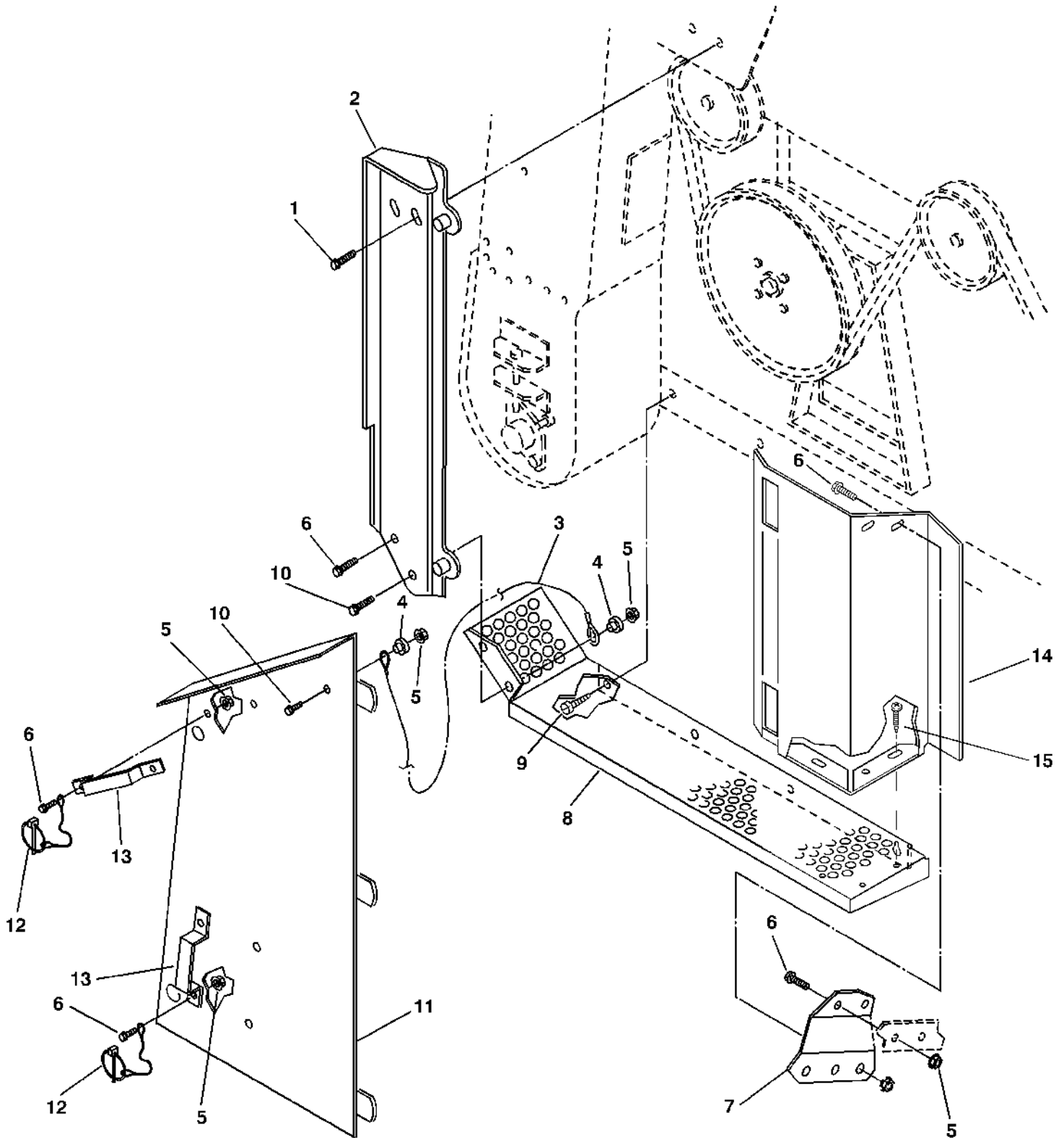
LEFT SIDE FRONT SHIELD ASSEMBLY - CONTINUED
(29SEP97 -)

| KEY | PART NO. | PART NAME | QTY | SERIAL NO. | REMARKS |
|-----|----------|----------------|-----|------------------------------------|---------|
| 1 | AH151344 | BRACKET | 1 | | |
| 2 | AH151346 | CHANNEL | 1 | | |
| 3 | 19M7865 | SCREW | 10 | M8 X 16 | |
| 4 | AH151339 | BRACKET | 1 | | |
| 5 | 14M7298 | FLANGE NUT | 8 | M8 | |
| 6 | H85184 | HANDLE | 1 | | |
| 7 | AH135290 | QUICK LOCK PIN | 3 | | |
| 8 | AH158151 | SHIELD | 1 | (SUB FOR AH151341) L.H. REAR UPPER | |
| 9 | AH151340 | SHIELD | 1 | | |
| 10 | 37M7058 | SCREW | 3 | M8 X 20 | |
| 11 | AH151338 | BRACKET | 1 | | |
| 12 | H164508 | ANGLE | 1 | SHIELD CLOSURE | |

5115

SEPARATOR SHELL

RIGHT SIDE SHIELD ASSEMBLY (29SEP97-)
HP7407 -UN-04FEB98



HP7407

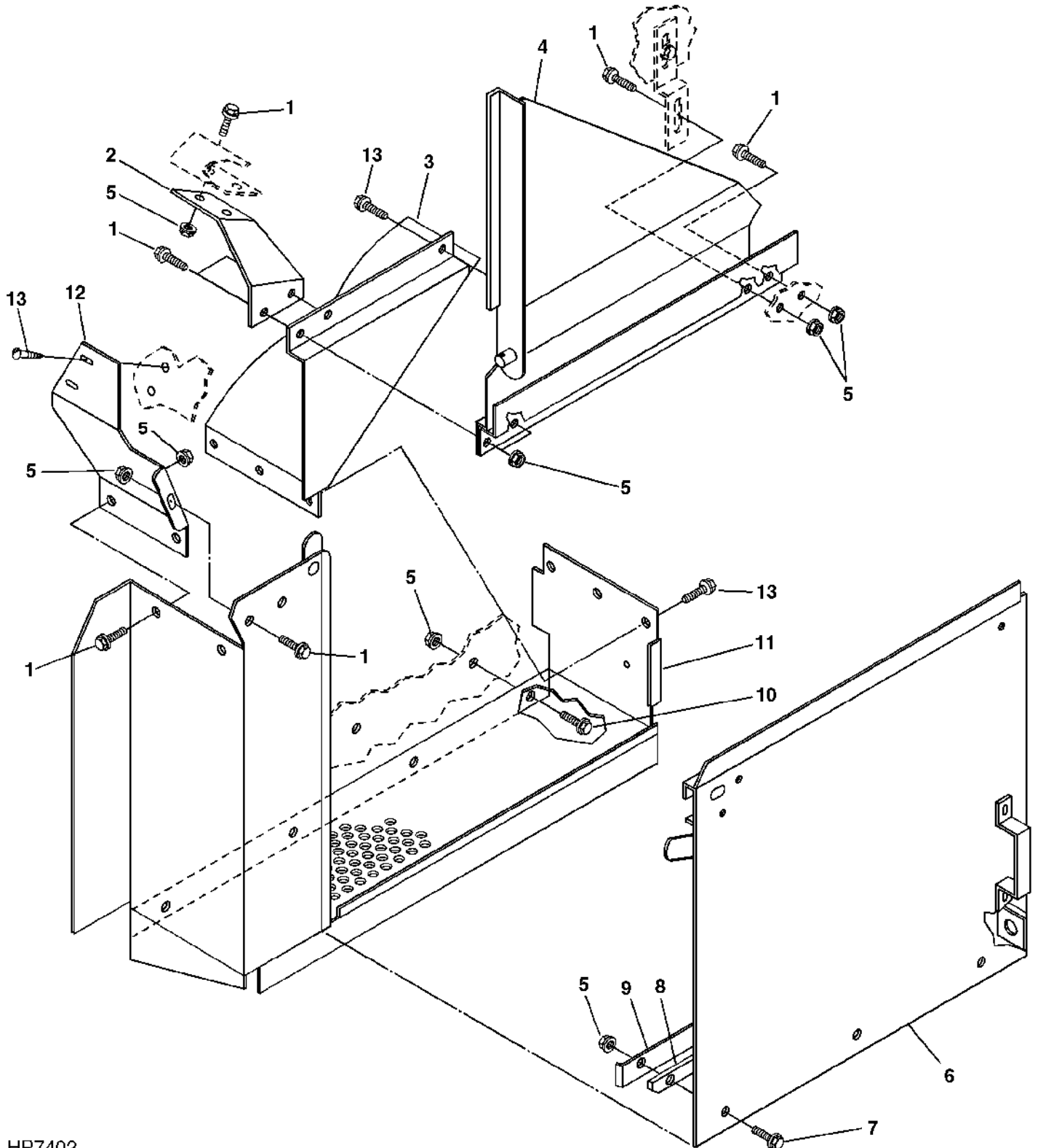
5116

SEPARATOR SHELL

RIGHT SIDE SHIELD ASSEMBLY (29SEP97-) - CONTINUED

| KEY | PART NO. | PART NAME | QTY | SERIAL NO. | REMARKS |
|-----|----------|----------------|-----|------------|------------|
| 1 | 19M7866 | SCREW | 2 | | |
| 2 | AH151351 | SHIELD | 1 | | |
| 3 | AH151353 | CABLE | 1 | | |
| 4 | M93425 | SPACER | 2 | | |
| 5 | 14M7298 | FLANGE NUT | 9 | M8 | |
| 6 | 19M7865 | SCREW | 7 | M8 X 16 | |
| 7 | H158646 | SHIELD | 1 | | |
| 8 | AH151350 | SHIELD | 1 | | R.H. LOWER |
| | AH159061 | SHIELD | 1 | | |
| 9 | 19M7803 | SCREW | 4 | M8 X 70 | |
| 10 | 19M7868 | SCREW | 1 | M8 X 30 | |
| 11 | AH154401 | SHIELD | 1 | | |
| 12 | AH135290 | QUICK LOCK PIN | 2 | | |
| 13 | H85184 | HANDLE | 2 | | |
| 14 | AH158642 | SHIELD | 1 | | R.H. |
| | H165320 | SHIELD | 1 | | R.H. |
| 15 | 37M7058 | SCREW | 3 | M8 X 20 | |

LEFT SIDE SHIELD ASSEMBLY
(29SEP97 -)
HP7402 -UN-04FEB98



HP7402

5118

SEPARATOR SHELL

LEFT SIDE SHIELD ASSEMBLY - CONTINUED
(29SEP97 -)

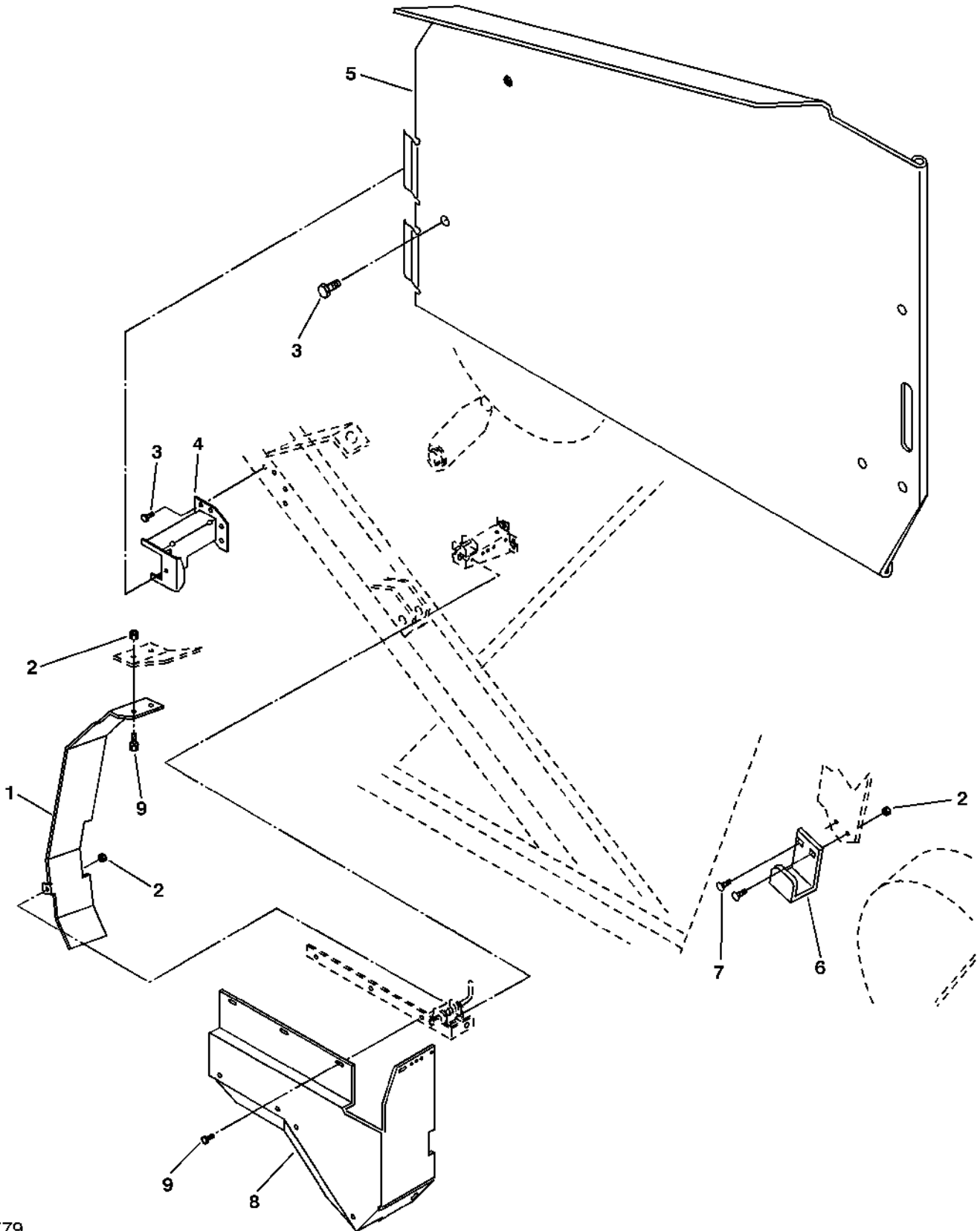
| KEY | PART NO. | PART NAME | QTY | SERIAL NO. | REMARKS |
|-----|----------------|------------------------------------|----------|-----------------------------|---------|
| 1 | 19M7865 | SCREW | 9 | M8 X 16 | |
| 2 | H158614 | BRACKET | 1 | | |
| 3 | H158633 | SHIELD | 1 | | |
| 4 | AH151347 | SUPPORT | 1 | | |
| 5 | 14M7298 | FLANGE NUT | 17 | M8 | |
| 6 | AH151342 | SHIELD | 1 | | |
| 7 | 19M7866 | SCREW | 3 | M8 X 20 | |
| 8 | H160733 | STRIP | 1 | | |
| 9 | H158627 | CHANNEL | 1 | | |
| 10 | 37M7086 | SCREW | 4 | M10 X 20 | |
| 11 | AH151343 | SHIELD | 1 | | |
| 12 | H158616 | SHIELD | 1 | | |
| 13 | 37M7058 | SCREW | 6 | M8 X 20 | |
| .. | BH81430 | COMPLETE GOODS/SHIP. BUNDLE | 1 | CLEANING FAN SHIELDS | |

5119

SEPARATOR SHELL

RIGHT SIDE FRONT SHIELD ASSEMBLY

(29SEP97 -)
HP6779 -UN-18AUG97



HP6779

5120

SEPARATOR SHELL

RIGHT SIDE FRONT SHIELD ASSEMBLY - CONTINUED
(29SEP97 -)

| KEY | PART NO. | PART NAME | QTY | SERIAL NO. | REMARKS |
|-----|----------|------------|-----|------------|---------|
| 1 | H160978 | SHIELD | 1 | | |
| 2 | 14M7298 | FLANGE NUT | 5 | M8 | |
| 3 | 19M7865 | SCREW | 6 | M8 X 16 | |
| 4 | AH151352 | BRACKET | 1 | | |
| 5 | AH151349 | SHIELD | 1 | | |
| 6 | H160187 | GUIDE | 1 | | |
| 7 | 03M7184 | BOLT | 2 | M8 X 20 | |
| 8 | AH154567 | SHIELD | 1 | | |
| 9 | 19M7866 | SCREW | 3 | M8 X 20 | |

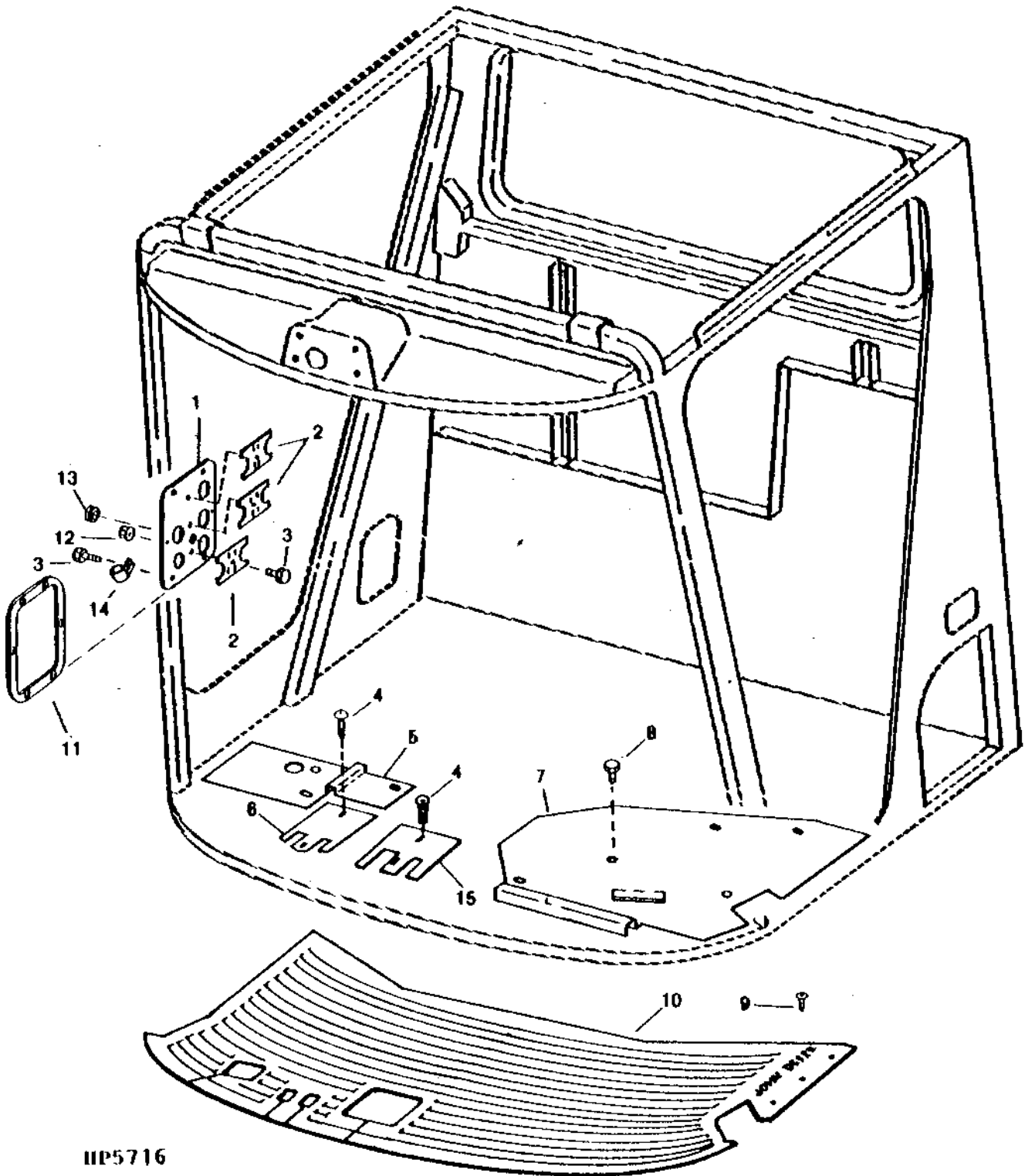
MEMORANDA

MEMORANDA

6B20

OPERATOR'S STATION

CAB PANELS AND FLOOR MAT
HP5716 -UN-01JAN94



HP5716

6B21

OPERATOR'S STATION

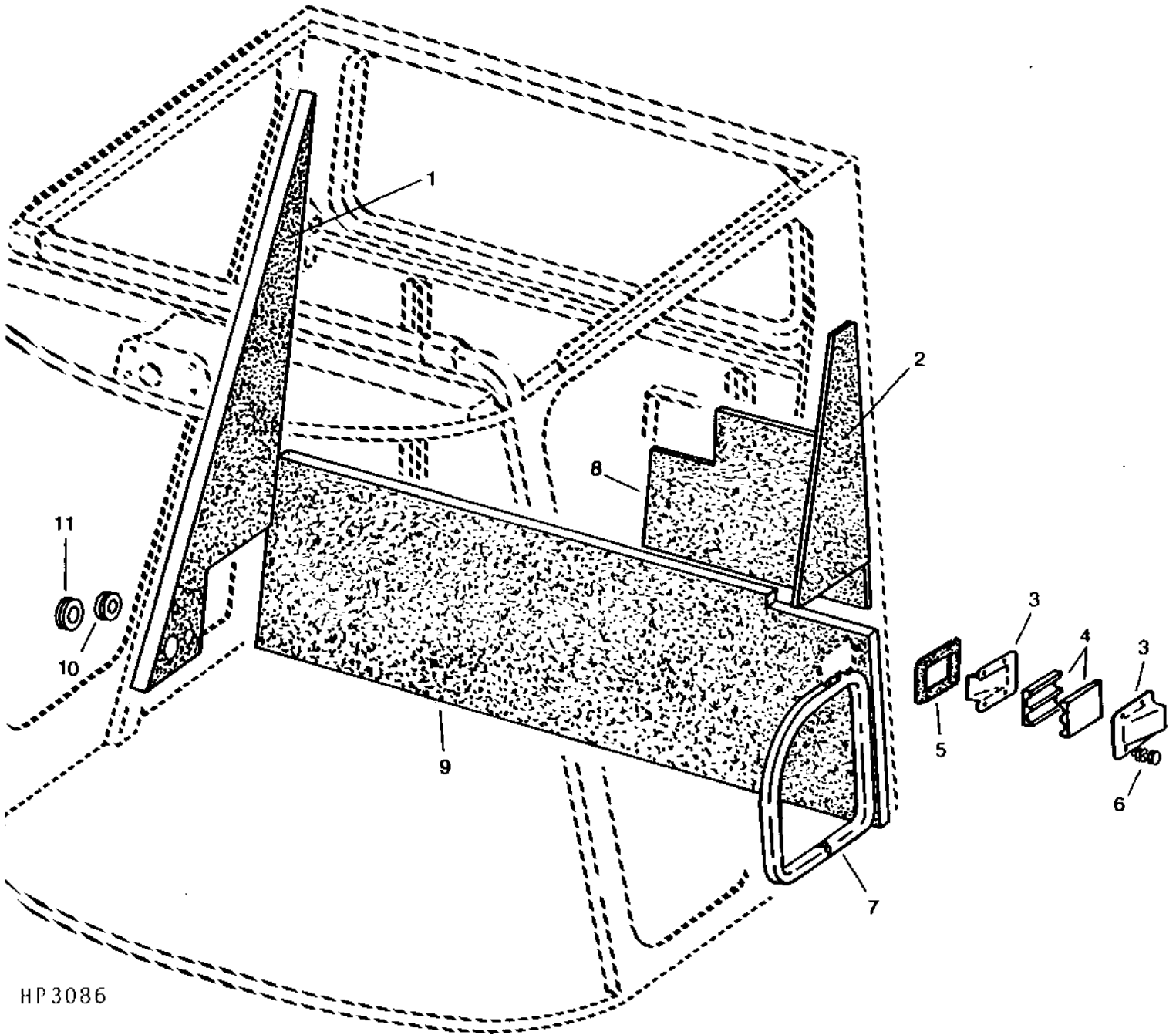
CAB PANELS AND FLOOR MAT - CONTINUED

| KEY | PART NO. | PART NAME | QTY | SERIAL NO. | REMARKS |
|-----|----------|------------|-----|------------|--------------------|
| 1 | H131298 | PLATE | 1 | | |
| 2 | H131299 | PLATE | 3 | | |
| 3 | 19M7775 | SCREW | 9 | | M6 X 16 |
| 4 | 37M7071 | SCREW | 4 | | R.H. |
| 5 | H133665 | SHEET | 1 | | |
| 6 | H124260 | PLATE | 1 | | L.H. |
| 7 | H133666 | SHEET | 1 | | |
| 8 | 37M7089 | SCREW | 7 | | M6 X 12 |
| 9 | 37M7109 | SCREW | 3 | | (SUB FOR 37M7074) |
| 10 | AH159079 | MAT | 1 | | (SUB FOR AH128349) |
| 11 | H131301 | SEAL | 1 | | |
| 12 | 14M7303 | FLANGE NUT | 3 | | M6 |
| 13 | H131300 | GROMMET | 1 | | |
| 14 | AH89557 | CLIP | 1 | | |
| 15 | H141292 | PLATE | 1 | | |

6B22

OPERATOR'S STATION

CAB SOUND DEADENING, FOAM AND SEALS
HP3086 -UN-01JAN94



HP 3086

6B23

OPERATOR'S STATION

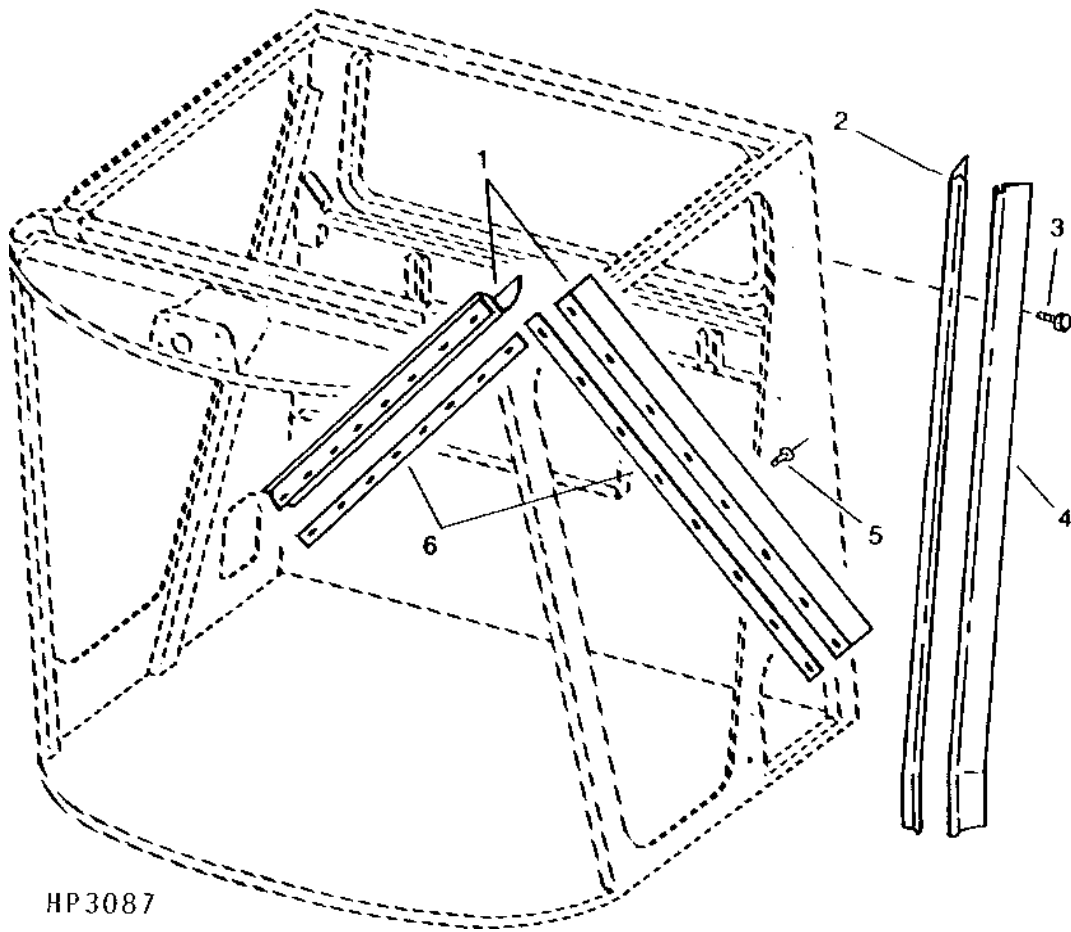
CAB SOUND DEADENING, FOAM AND SEALS - CONTINUED

| KEY | PART NO. | PART NAME | QTY | SERIAL NO. | REMARKS |
|-----|----------|--------------|-----|------------|-------------------------|
| 1 | H125511 | FOAM PAD | 1 | | |
| 2 | AH127674 | BARRIER | 1 | | L.H. |
| 3 | H129606 | RETAINER | 2 | | |
| 4 | H114523 | SEAL | 2 | | |
| 5 | H114525 | GASKET | 1 | | |
| 6 | 37M7090 | SCREW | 4 | | M6 X 16 |
| 7 | AH80335 | WEATHERSTRIP | 1 | | |
| 8 | AH126834 | BARRIER | 1 | | REAR |
| | AH149631 | BARRIER | 1 | | REAR (FRENCH ONLY) |
| 9 | AH120892 | BARRIER | 1 | -665300 | REAR |
| | AH146747 | BARRIER | 1 | 665301- | L.H. |
| | AH146748 | BARRIER | 1 | 665301- | R.H. |
| | AH149374 | BARRIER | 1 | | R.H. REAR (FRENCH ONLY) |
| | AH149373 | BARRIER | 1 | | R.H. REAR (FRENCH ONLY) |
| 10 | R50456 | GROMMET | 1 | | |
| 11 | H36221 | GROMMET | 1 | | |

6B24

OPERATOR'S STATION

CAB REAR AND SIDE SEALS
HP3087 -UN-01JAN94



6B25

OPERATOR'S STATION

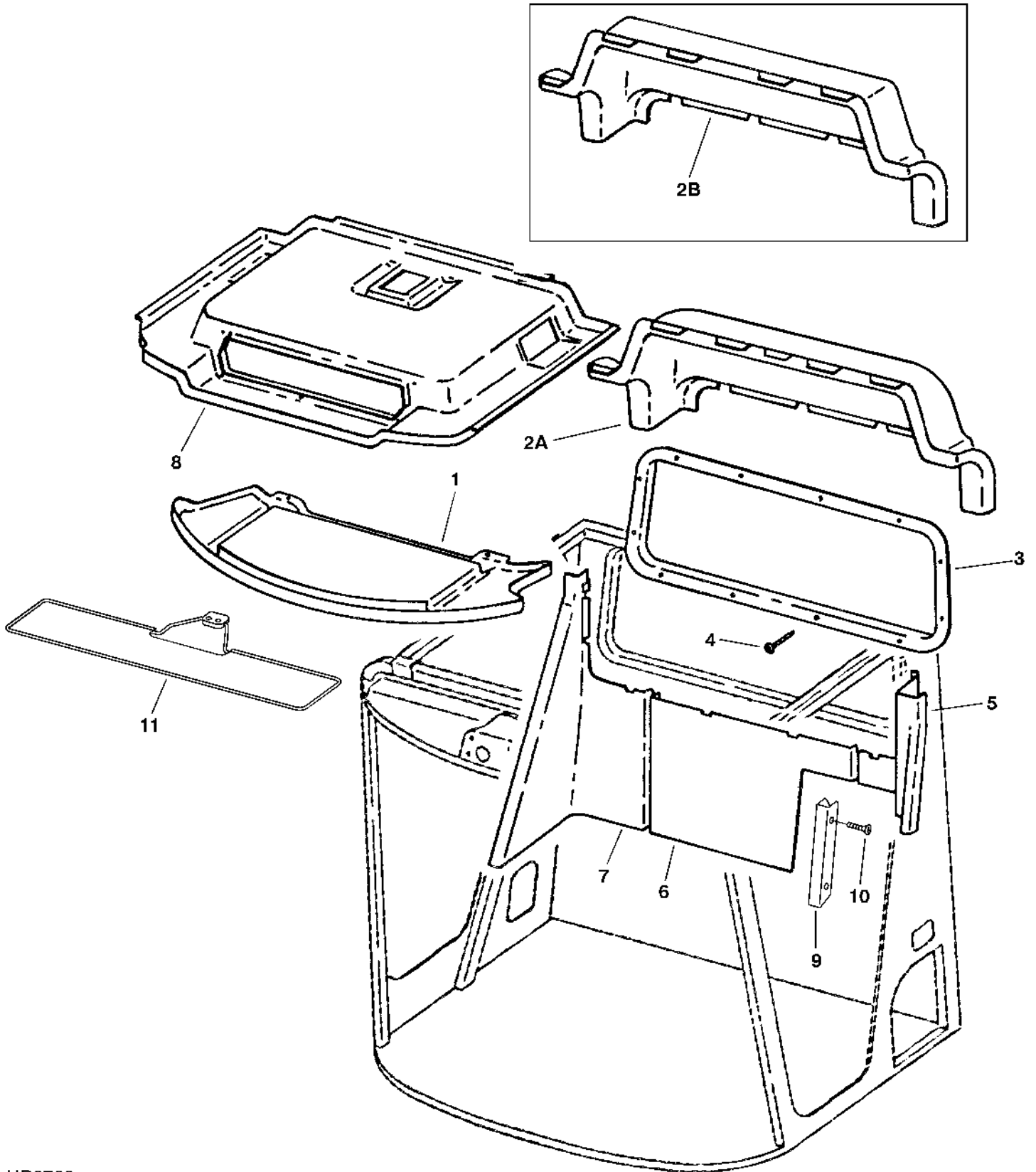
CAB REAR AND SIDE SEALS - CONTINUED

| KEY | PART NO. | PART NAME | QTY | SERIAL NO. | REMARKS |
|-----|----------|-----------|-----|------------|--------------------|
| 1 | H135614 | SEAL | 2 | | |
| 2 | H133391 | BRACKET | 1 | | |
| 3 | 37M7089 | SCREW | 8 | | M6 X 12 |
| 4 | AH141774 | SEAL | 1 | | (SUB FOR AH125643) |
| 5 | H85233 | RIVET | 16 | | |
| 6 | H135615 | RETAINER | 2 | | |

6C1

OPERATOR'S STATION

CAB INTERIOR TRIM PANELS
HP6763 -UN-11JUL97

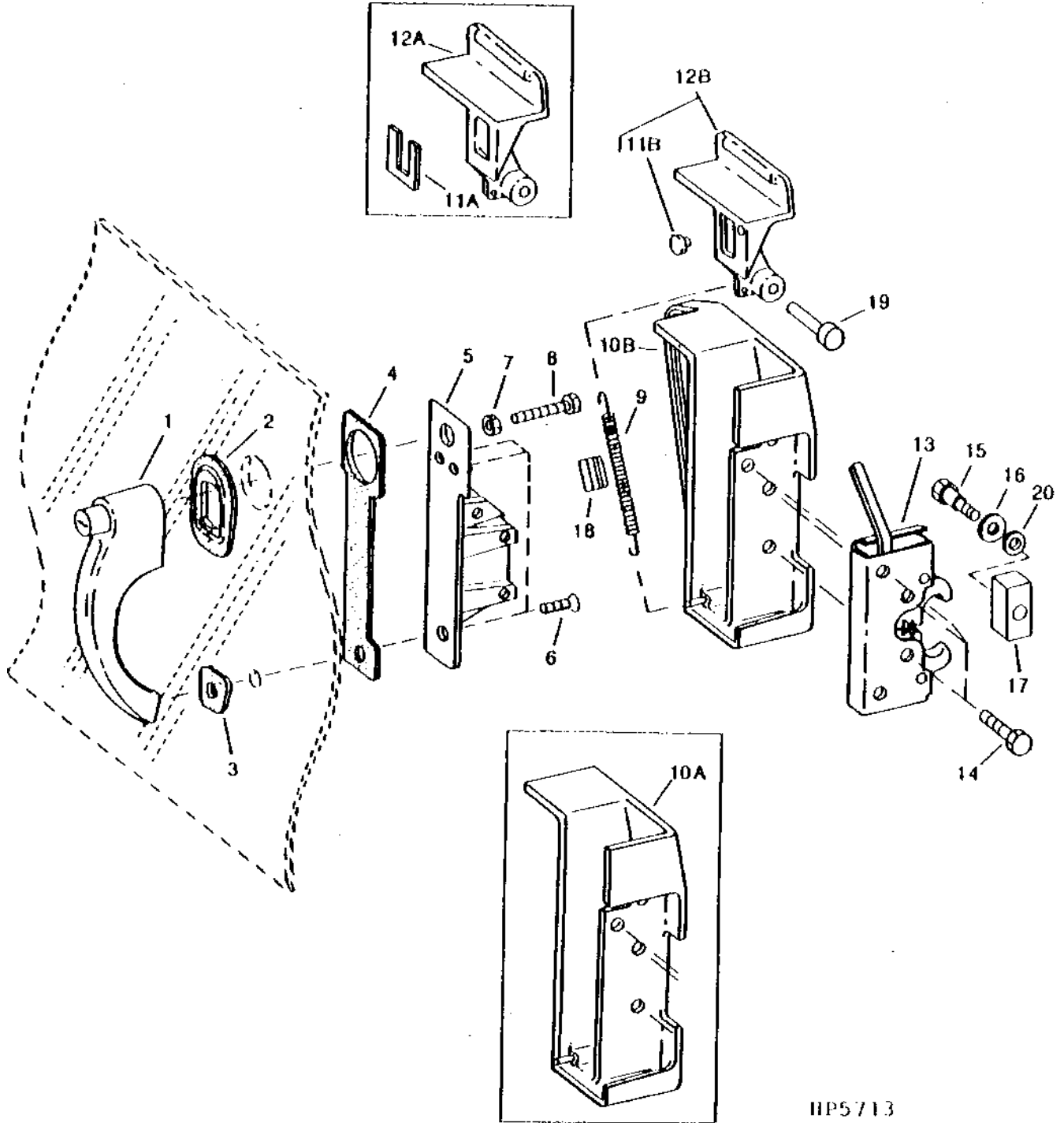


HP6763

CAB INTERIOR TRIM PANELS - CONTINUED

| KEY | PART NO. | PART NAME | QTY | SERIAL NO. | REMARKS |
|-----|----------|-----------|-----|------------|------------------------------|
| 1 | AH120887 | HEADLINER | 1 | -670227 | FRONT, WITHOUT SUN VISOR |
| | AH153911 | HEADLINER | 1 | 670228- | FRONT, WITH SUN VISOR |
| 2A | AH120889 | HEADLINER | 1 | -666736 | REAR |
| 2B | AH149883 | HEADLINER | 1 | 666737- | REAR |
| 3 | H168431 | BEZEL | 1 | | (SUB FOR H125513) REAR |
| 4 | H119088 | SCREW | 12 | | |
| 5 | AH120891 | PANEL | 1 | | L.H. |
| 6 | AH121613 | PANEL | 1 | | REAR |
| | AH146854 | PANEL | 1 | | REAR (FRENCH ONLY) |
| 7 | AH120890 | PANEL | 1 | | R.H. |
| 8 | AH136326 | HEADLINER | 1 | -666736 | (SUB FOR AH120888) |
| | AH149882 | HEADLINER | 1 | 666737- | |
| 9 | H124210 | COVER | 1 | | |
| 10 | H132452 | CAP SCREW | 2 | | M6 X 50 |
| 11 | AH151123 | SUN VISOR | 1 | | |
| .. | AH133088 | KIT | 1 | | SERVICE KIT FOR CAB HARDWARE |

CAB DOOR LATCH
HP5713 -UN-01JAN94



HP5713

6C4

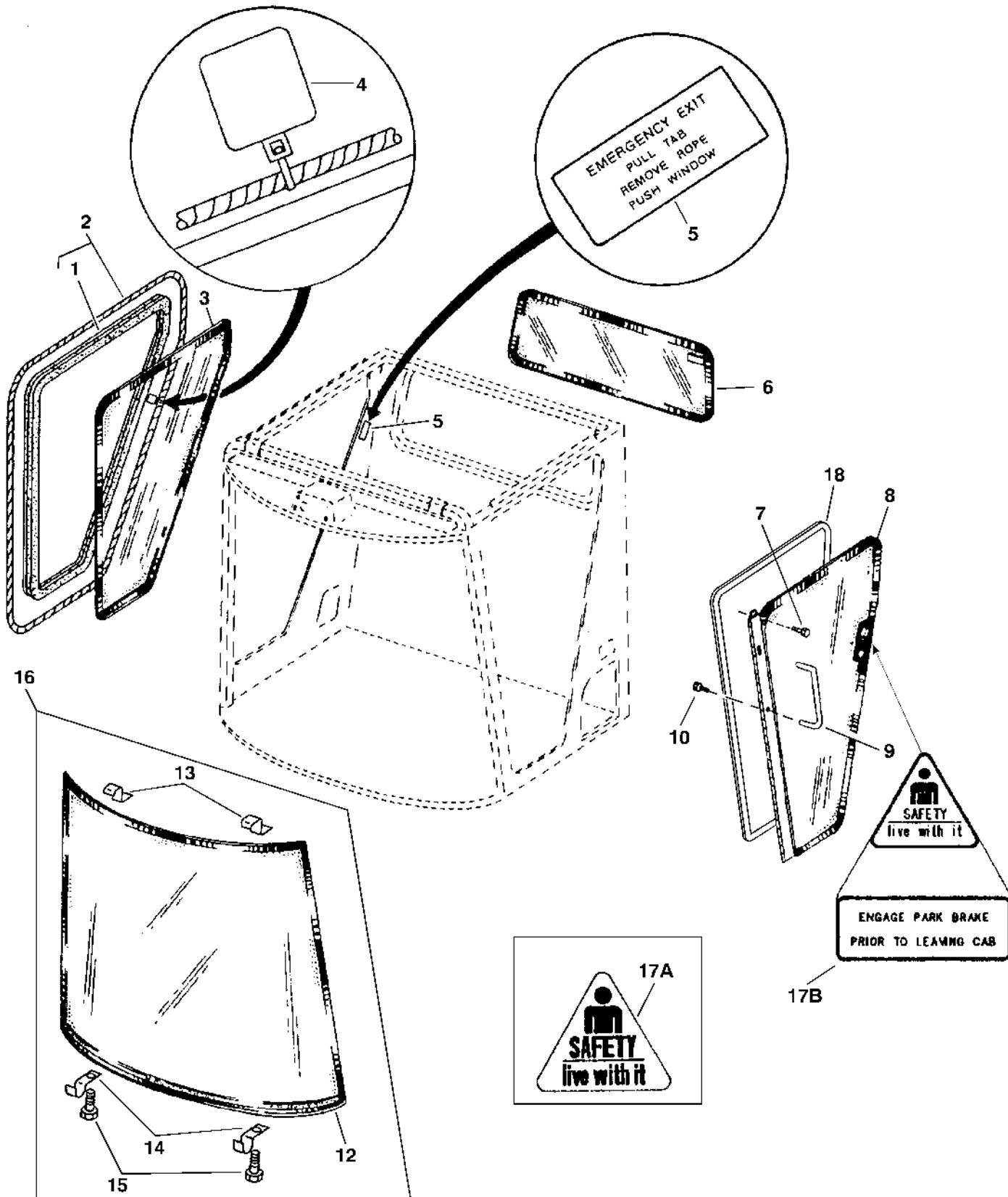
OPERATOR'S STATION

CAB DOOR LATCH - CONTINUED

| KEY | PART NO. | PART NAME | QTY | SERIAL NO. | REMARKS |
|-----|----------|------------------|-----|---|--------------------|
| 1 | RE35161 | HANDLE | 1 | | |
| 2 | H126082 | BEZEL | 1 | | |
| 3 | H126081 | BEZEL | 1 | | |
| 4 | H126083 | ISOLATOR | 1 | | |
| 5 | H133414 | SUPPORT | 1 | | |
| 6 | 21M7334 | SCREW | 3 | M6 X 25 | |
| 7 | 14H786 | NUT | 1 | 1/4" | |
| 8 | 19H1898 | CAP SCREW | 1 | 1/4" X 1-1/2" | |
| 9 | H134671 | EXTENSION SPRING | 1 | | |
| 10A | H133413 | HANDLE | 1 | -652437 | (SUB H150047) |
| 10B | H150047 | HOUSING | 1 | | |
| 11A | H135887 | BUMPER | 1 | -645306 | (SUB H145893) |
| 11B | H145893 | BUMPER | 1 | | |
| 12A | H133415 | HANDLE | 1 | -645306 | (SUB AH140838) |
| 12B | AH140838 | HANDLE | 1 | | INCLUDES H145893 |
| 13 | AH128585 | LATCH | 1 | | |
| 14 | 19M8326 | CAP SCREW | 3 | M6 X 35 | |
| 15 | H136589 | BOLT | 1 | 11.125 X 39.790 MM (7/16" X 1.567") | (USE WITH H137976) |
| 16 | 24H1219 | WASHER | AR | 7/16" X 1" X 0.083" | |
| 17 | H133219 | ADJUSTING STRAP | 1 | | |
| 18 | H107566 | ISOLATOR | 1 | | |
| 19 | H136056 | PIN | 1 | 6 X 37 MM (0.236" X 1.457") | |
| 20 | H136590 | DISK SPRING | 1 | 10.540 X 24 X 3 MM (0.415" X 0.945" X 0.118") | (USE WITH H137976) |
| .. | TY9370 | ADHESIVE | 1 | 6 OZ. MEDIUM STRENGTH - CANADA NUMBER TY9477, | |

6C5

CAB GLASS AND DOOR
HP6948 -UN-12SEP97



HP6948

6C6

OPERATOR'S STATION

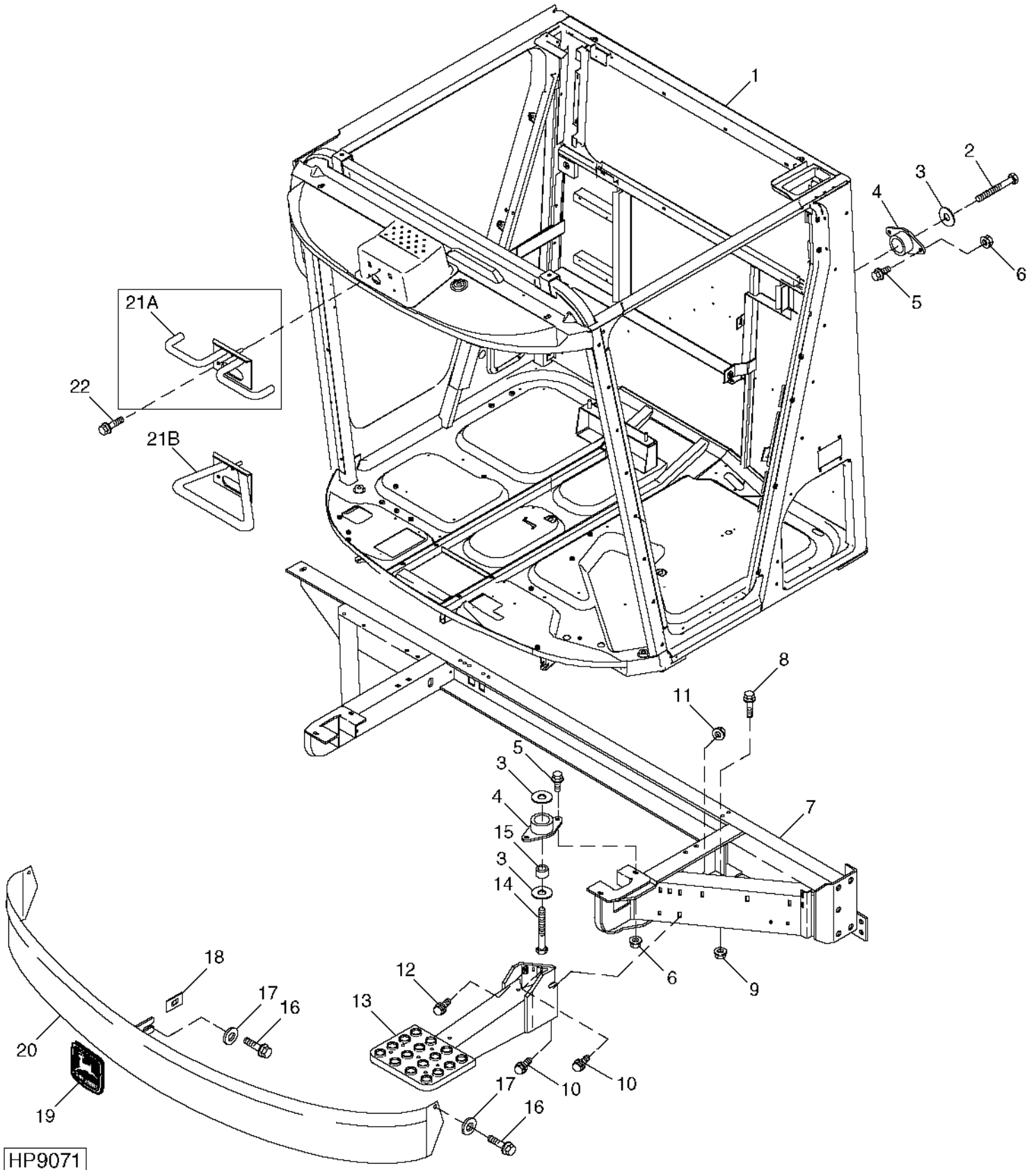
CAB GLASS AND DOOR - CONTINUED

| KEY | PART NO. | PART NAME | QTY | SERIAL NO. | REMARKS |
|-----|----------|--------------|-----|------------|---|
| 1 | | WEATHERSTRIP | 1 | | (SUB AH106010) |
| 2 | AH106010 | WEATHERSTRIP | 1 | | |
| 3 | H123794 | WINDOWPANE | 1 | | |
| | H137839 | WINDOWPANE | 1 | | EXPORT ONLY - FRANCE |
| 4 | H138297 | TIE BAND | 1 | -646468 | |
| 5 | H134535 | LABEL | 1 | | |
| 6 | H125769 | WINDOWPANE | 1 | | |
| | H137840 | WINDOWPANE | 1 | | EXPORT ONLY - FRANCE |
| 7 | 37M7160 | SCREW | AR | | M6 X 16 |
| 8 | AH154280 | DOOR | 1 | | (SUB FOR AH125963) |
| | AH154281 | DOOR | 1 | | (SUB FOR AH132891) EXPORT ONLY |
| 9 | H131720 | RAIL | 1 | | |
| 10 | 19M8358 | CAP SCREW | AR | | M10 X 20 |
| 11 | H131721 | STRAP | 1 | | |
| 12 | | WINDSHIELD | 1 | | (SUB AH132117) |
| 13 | AH132819 | BRACKET | 2 | | AVAILABLE IN AH132117 WINDSHIELD KIT ONLY |
| 14 | H128392 | CLAMP | 2 | -631795 | (CONTAINED IN AH132117) |
| 15 | 19M7866 | SCREW | 2 | -631795 | M8 X 20 |
| 16 | AH141412 | KIT | 1 | | |
| | AH132117 | WINDSHIELD | 1 | | (SUB FOR AH141411) (EXPORT) |
| 17A | H138955 | LABEL | 1 | -641864 | |
| | H139852 | LABEL | 1 | -641716 | (SUB H145983) (EXPORT ONLY - FRANCE) |
| 17B | H145982 | LABEL | 1 | 641865- | |
| | H145983 | LABEL | 1 | -666447 | EXPORT ONLY - FRANCE |
| 18 | AH80335 | WEATHERSTRIP | 1 | | CUT TO 4350MM FROM AH83825 |
| .. | AH126265 | CAB | 1 | | |
| .. | AH135861 | CAB | 1 | | EXPORT ONLY - FRANCE |

6C7

OPERATOR'S STATION

CAB FRAME AND SUPPORT
HP9071 -UN-16SEP99



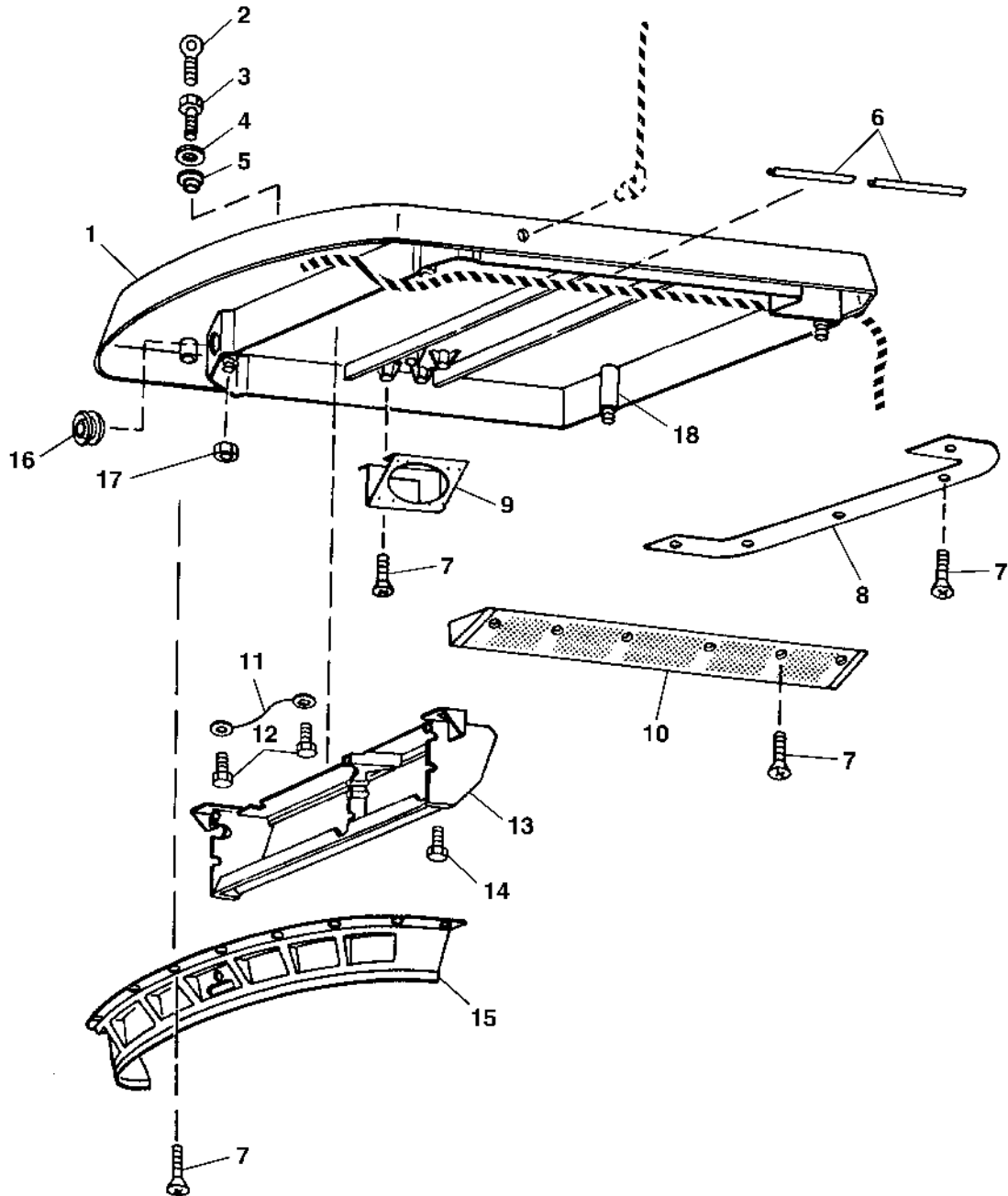
HP9071

CAB FRAME AND SUPPORT - CONTINUED

| KEY | PART NO. | PART NAME | QTY | SERIAL NO. | REMARKS |
|-----|----------|--------------|-----|------------|--|
| 1 | | CAB | 1 | | |
| 2 | 19M7268 | CAP SCREW | 2 | -650401 | M12 X 25 (GOES THRU ISOLATION (CAB) MOUNT) |
| 3 | 24M7103 | WASHER | 6 | | 17.500 X 56 X 5 MM |
| 4 | AH108299 | RUBBER MOUNT | 4 | | |
| 5 | 19M7788 | SCREW | 8 | | M12 X 25 |
| 6 | 14M7299 | FLANGE NUT | 8 | | M12 |
| 7 | AH130915 | SUPPORT | 1 | | |
| 8 | 19M7789 | SCREW | 4 | | M12 X 30 |
| 9 | 14M7299 | FLANGE NUT | 4 | | M12 |
| 10 | 19M7785 | SCREW | 3 | 645642- | M10 X 25, TOP R.H. AND BOTTOM HOLES |
| 11 | 14M7296 | FLANGE NUT | 3 | | M10 |
| 12 | 19M7784 | SCREW | 1 | | M10 X 20, TOP L.H. HOLE |
| 13 | AH130594 | STEP | 1 | | L.H. |
| 14 | 19M7546 | CAP SCREW | 2 | 650401- | M16 X 150 |
| 15 | H96690 | SPACER | 2 | | 16.662 X 31.750 X 28.956 MM |
| 16 | 37M7058 | SCREW | 3 | | M8 X 20 |
| 17 | 24M7207 | WASHER | 3 | | 8.400 X 24 X 2 MM |
| 18 | H98111 | NUT | 8 | | 4.826 MM, (USE WITH H149480) |
| 19 | H136158 | LABEL | 1 | -657900 | (SUB H149480) (USE WITH H98111) |
| | H149480 | LABEL | 1 | | (USE WITH H98111) |
| 20 | H127679 | SHIELD | 1 | -635301 | (SUB AH132148) |
| | AH132148 | SHIELD | 1 | | |
| 21A | AH150441 | HANDLE | 1 | | (SUB AH162746) |
| 21B | AH162746 | HANDLE | 1 | | |
| 22 | H162748 | SCREW | 1 | | |

6C9

CAB ROOF AND SUPPORTS
HP6726 -UN-22MAY97



HP6726

6C10

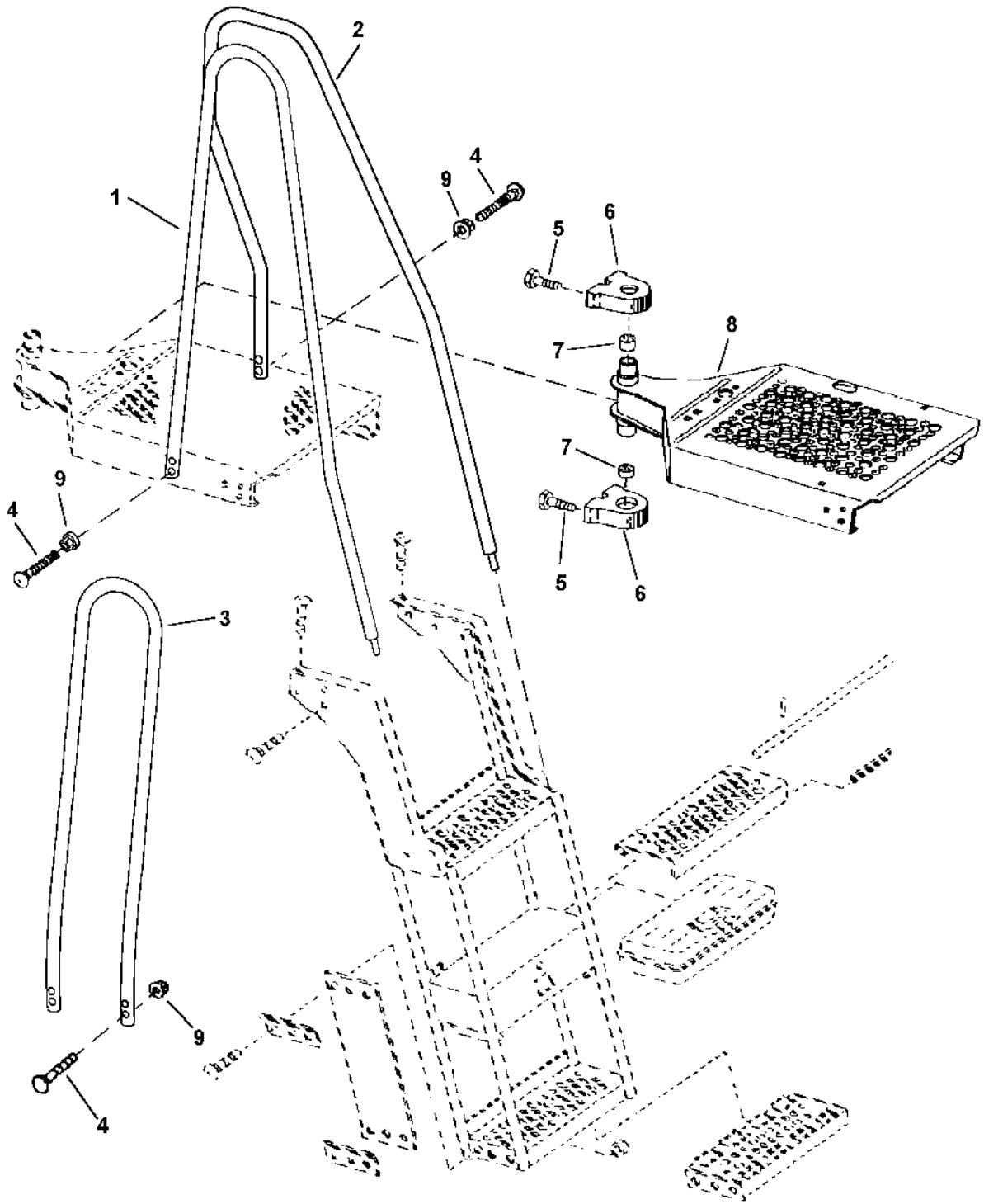
OPERATOR'S STATION

CAB ROOF AND SUPPORTS - CONTINUED

| KEY | PART NO. | PART NAME | QTY | SERIAL NO. | REMARKS |
|-----|----------|----------------|-----|------------|--------------------------------|
| 1 | AH153796 | ROOF | 1 | 29SEP7- | (SUB FOR AH131424 OR AH135315) |
| 2 | | EYEBOLT | 1 | | 12 MM, FOR ROOF REMOVAL |
| 3 | 19M7789 | SCREW | 2 | | M12 X 30 |
| 4 | 24M7051 | WASHER | 2 | | 21 X 37 X 3 MM |
| 5 | H123991 | SEALING WASHER | 2 | | |
| 6 | AH120541 | SEAL | AR | | |
| 7 | H123995 | SCREW | 27 | | |
| 8 | H143460 | COVER | 1 | | (SUB FOR H130302) |
| 9 | H144472 | SUPPORT | 2 | | (SUB FOR H123773) |
| 10 | H130301 | COVER | 2 | | |
| 11 | AH124882 | WIRING LEAD | 2 | | |
| 12 | H114038 | SCREW | 4 | | |
| 13 | AH136557 | SUPPORT | 1 | | (SUB FOR AH124881) |
| 14 | H116188 | SCREW | 4 | | |
| 15 | H130303 | COVER | 1 | | |
| 16 | H123796 | GROMMET | 1 | | |
| 17 | 14M7296 | FLANGE NUT | 4 | | M10 |
| 18 | H123740 | STUD | 4 | 29SEP7- | |

6C11

OPERATOR'S PIVOTING PLATFORM AND HANDRAILS
HP9238 -UN-02NOV99



HP9238

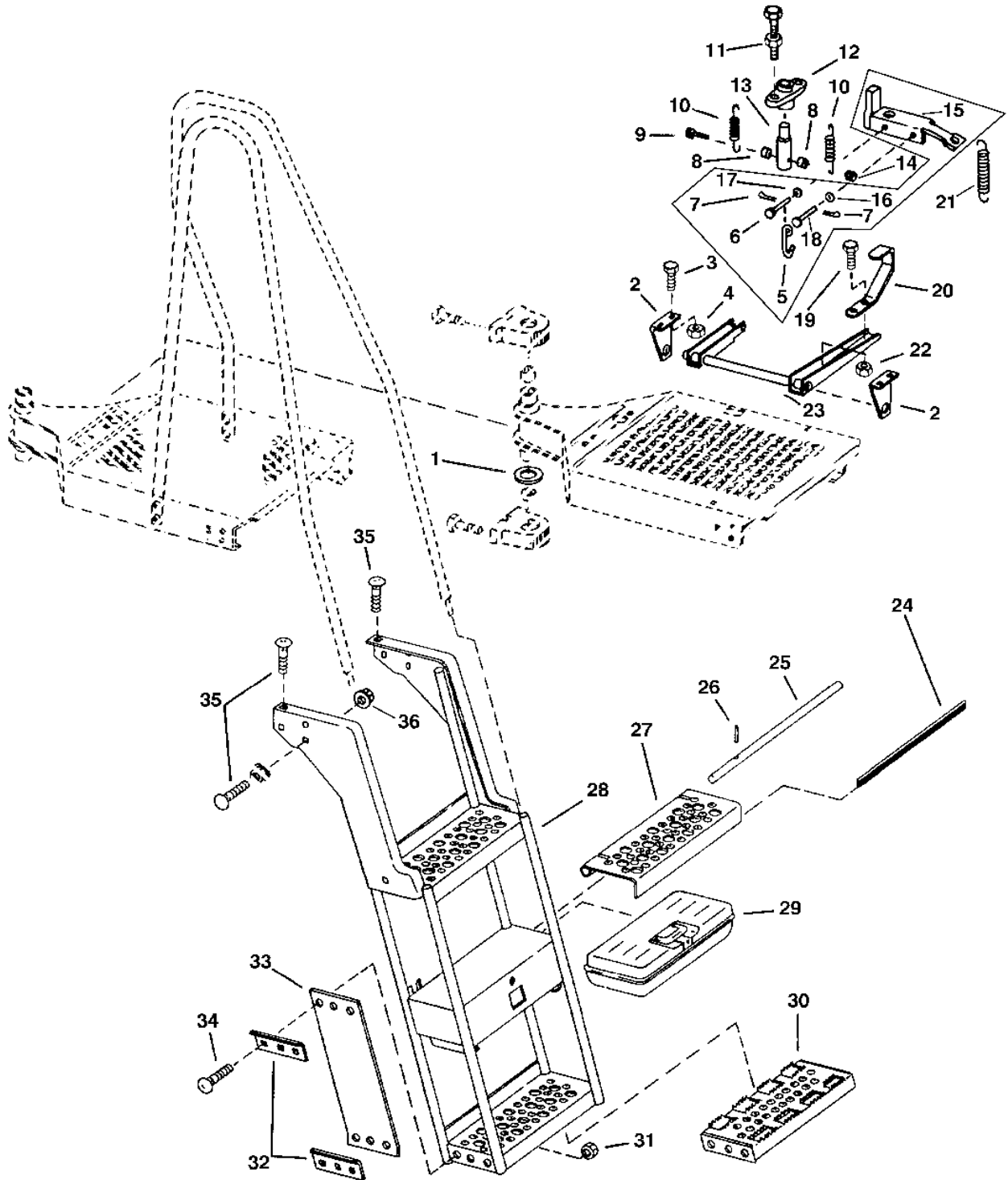
OPERATOR'S PIVOTING PLATFORM AND HANDRAILS - CONTINUED

| KEY | PART NO. | PART NAME | QTY | SERIAL NO. | REMARKS |
|-----|----------|-----------|-----|------------|--|
| 1 | H136143 | HANDRAIL | 1 | -27SE99 | USE WITH AH133499, AH133500 OR AH133501. |
| | H167174 | HANDRAIL | 1 | 28SE99- | |
| 2 | AH131845 | HANDRAIL | 1 | -27SE99 | |
| | AH160473 | HANDRAIL | 1 | 28SE99- | |
| | AH131851 | HANDRAIL | 1 | -27SE99 | |
| | AH160474 | HANDRAIL | 1 | 28SE99- | |
| 3 | H131626 | HANDRAIL | 1 | -27SE99 | |
| | AH160469 | HANDRAIL | 1 | 28SE99- | |
| 4 | 03M7196 | BOLT | 8 | | M10 X 50 |
| 5 | 19M7792 | SCREW | 4 | | M16 X 30 |
| 6 | H129610 | BUSHING | 2 | | |
| 7 | H111478 | SLEEVE | 2 | -631800 | |
| 8 | AH133500 | EXTENSION | 1 | -27SE99 | (SUB FOR AH131849) 1260 MM EXT. SECONDARY LATCH REMOVED |
| | AH159187 | EXTENSION | 1 | 28SE99- | |
| | AH133501 | EXTENSION | 1 | -27SE99 | (SUB FOR AH131850) 1390 MM EXT. SECONDARY LATCH REMOVED |
| | AH159188 | EXTENSION | 1 | 28SE99- | |
| | AH157029 | EXTENSION | 1 | -27SE99 | (SUB FOR AH131848 OR AH133499) 940 MM EXT. SECONDARY LATCH REMOVED |
| | AH159186 | EXTENSION | 1 | 28SE99- | |
| 9 | 14M7400 | LOCK NUT | 8 | | M10 |

6C13

OPERATOR'S STATION

OPERATOR'S PLATFORM LADDER AND LATCH (-660300)
HP6505 -UN-15JUL96



HP6505

6C14

OPERATOR'S STATION

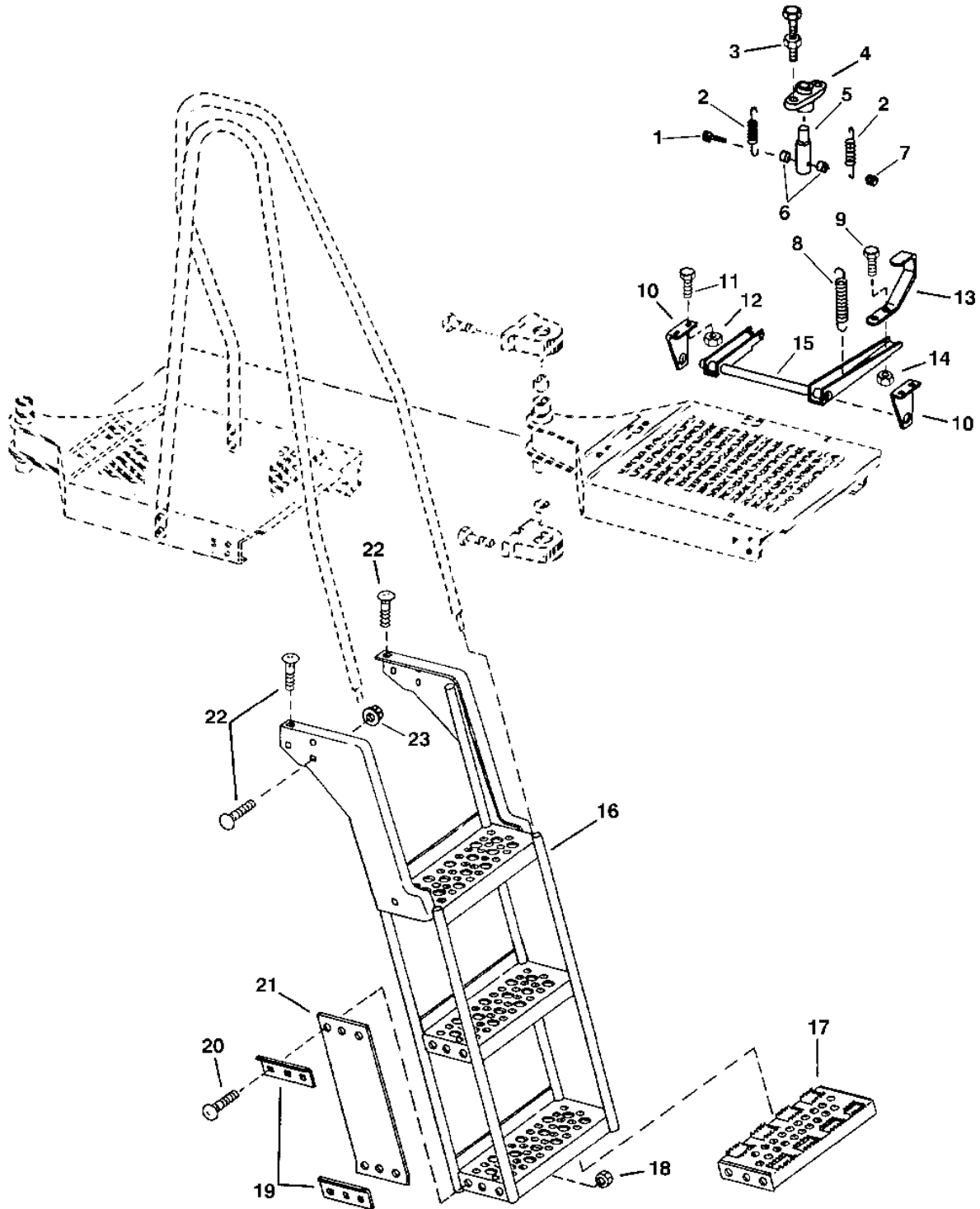
OPERATOR'S PLATFORM LADDER AND LATCH (-660300) - CONTINUED

| KEY | PART NO. | PART NAME | QTY | SERIAL NO. | REMARKS |
|-----|----------|------------------|-----|------------|---|
| 1 | AH109874 | BEARING | 1 | -631400 | |
| 2 | H129763 | BRACKET | 2 | | |
| 3 | 03M7251 | BOLT | 4 | | M6 X 12 |
| 4 | 14M7303 | FLANGE NUT | 4 | | M6 |
| 5 | H137358 | CONNECTOR | 1 | -640505 | |
| 6 | B2290R | PIN | 1 | -640505 | (SUB FOR 45M7046) |
| 7 | 11M7009 | COTTER PIN | 2 | -640505 | 2 X 16 MM |
| 8 | 28H1903 | BUSHING | 2 | | 9.246 X 13.716 X 19.050 MM (0.364" X 0.540" X 3/4") |
| 9 | 19M7803 | SCREW | AR | | M8 X 70 |
| 10 | H137360 | EXTENSION SPRING | 2 | | |
| 11 | 03M7186 | BOLT | 2 | | M8 X 30 |
| | 14M7396 | LOCK NUT | 2 | | M8 |
| 12 | H129761 | BUSHING | 1 | | |
| 13 | H129760 | PIN | 1 | | |
| 14 | 14M7298 | FLANGE NUT | 1 | | M8 |
| 15 | AH132147 | LATCH | 1 | -640505 | |
| 16 | 24M7088 | WASHER | 1 | -640505 | 6.600 X 12 X 1.600 MM |
| 17 | 24M7036 | WASHER | 1 | -640505 | 9 X 16 X 1.600 MM |
| 18 | M88436 | PIN | 1 | -640505 | 6.350 X 49.300 MM |
| 19 | 03M7184 | BOLT | 2 | | M8 X 20 |
| 20 | H133514 | LEVER | 1 | | |
| 21 | R60730 | SPRING | 1 | | |
| 22 | 14M7298 | FLANGE NUT | AR | | M8 |
| 23 | AH128610 | LATCH | 1 | | |
| 24 | | ISOLATOR | 1 | -660300 | CUT 400 MM (16") FROM N191488, (USE WITH AH131848) |
| 25 | H133327 | PIN | 1 | -660300 | 7.920 X 488 MM (0.312" X 19.213") |
| 26 | 11M7081 | COTTER PIN | 2 | -660300 | 2.500 X 20 MM (0.098" X 0.787") |
| 27 | H136012 | STEP | 1 | -660300 | |
| 28 | AH145678 | LADDER | 1 | | (SUB FOR AH131747) WITH TOOLBOX OPENING |
| 29 | AH114877 | TOOLBOX | 1 | -660300 | |
| 30 | H136011 | STEP | 1 | | |
| 31 | 14M7396 | LOCK NUT | AR | | M8 |
| 32 | H136127 | PLATE | 4 | | |
| 33 | H136126 | HANGER | 2 | | (USE WITH AH133499) |
| 34 | 03M7185 | BOLT | 12 | | M8 X 25 |
| 35 | 03M7190 | BOLT | 8 | | M10 X 20 |
| 36 | 14M7296 | FLANGE NUT | 8 | | M10 |

6C15

OPERATOR'S STATION

OPERATOR'S PLATFORM LADDER AND LATCH (660301-)
HP6506 -UN-15JUL96



HP6506

6C16

OPERATOR'S STATION

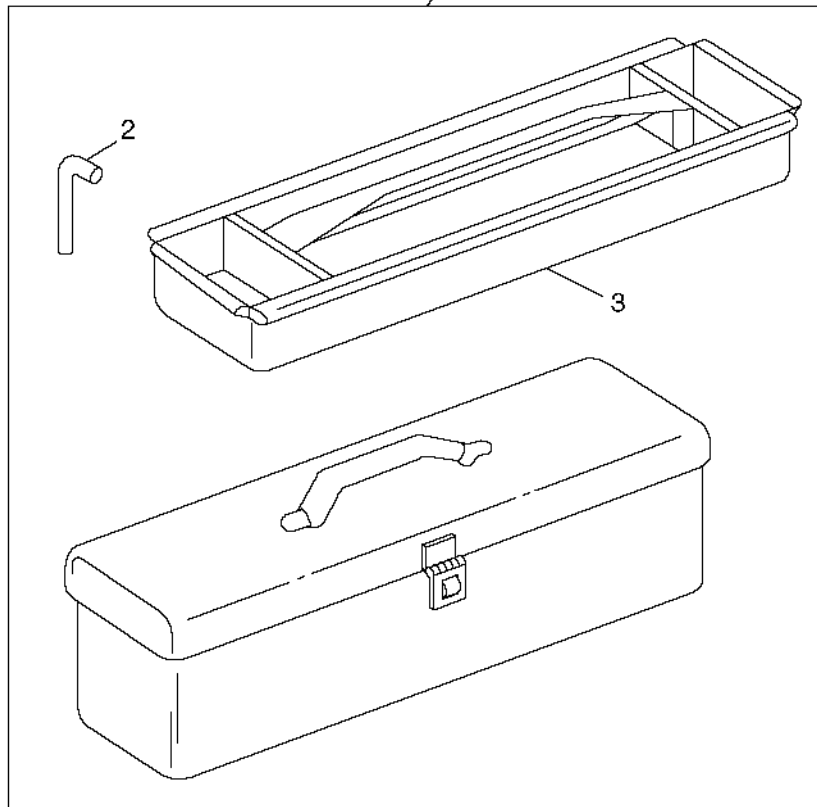
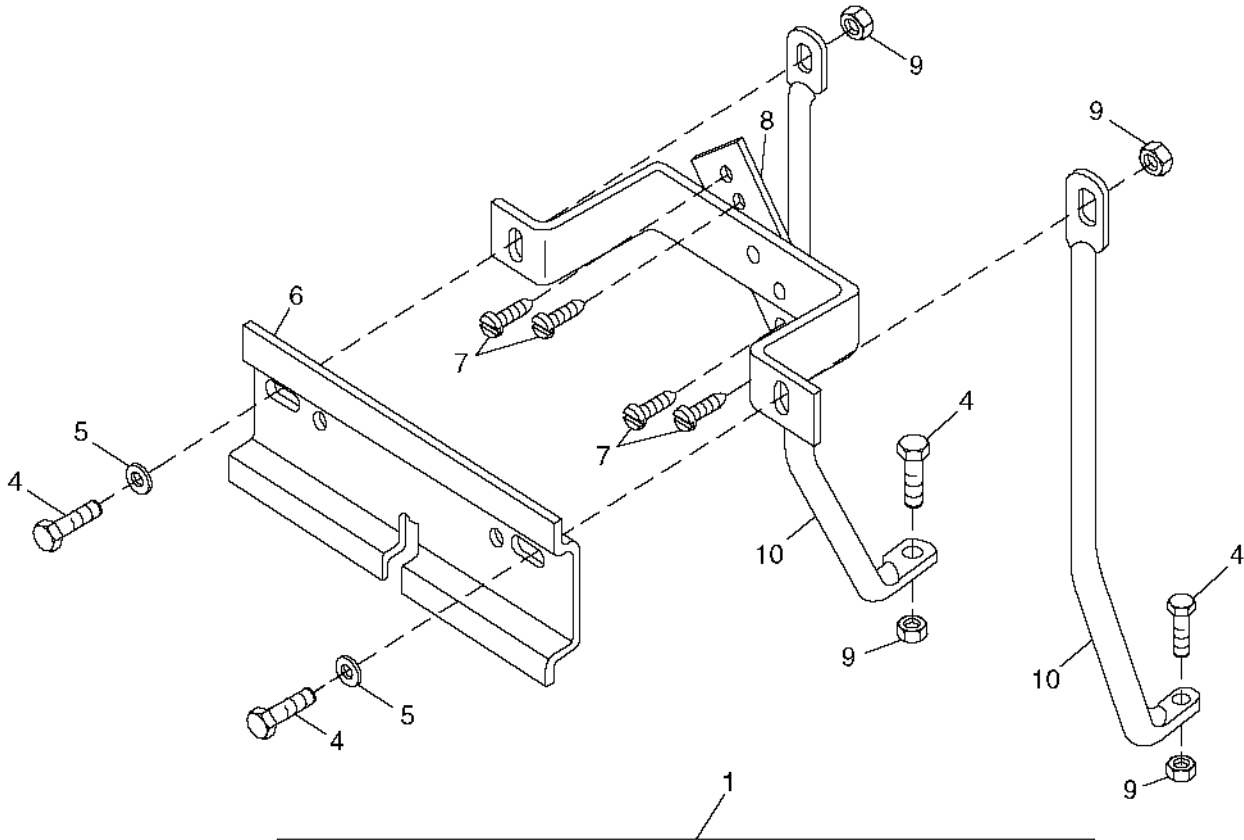
OPERATOR'S PLATFORM LADDER AND LATCH (660301-) - CONTINUED

| KEY | PART NO. | PART NAME | QTY | SERIAL NO. | REMARKS |
|-----|----------|------------------|-----|---------------------|-------------------------|
| 1 | 19M7803 | SCREW | AR | M8 X 70 | |
| 2 | H137360 | EXTENSION SPRING | 2 | | |
| 3 | 03M7186 | BOLT | 2 | M8 X 30 | |
| | 14M7396 | LOCK NUT | 2 | M8 | |
| 4 | H129761 | BUSHING | 1 | | |
| 5 | H129760 | PIN | 1 | | |
| 6 | 28H1903 | BUSHING | 2 | | |
| 7 | 14M7298 | FLANGE NUT | 1 | | |
| 8 | R60730 | SPRING | 1 | | |
| 9 | 03M7184 | BOLT | 2 | M8 X 20 | |
| 10 | H129763 | BRACKET | 2 | | |
| 11 | 03M7251 | BOLT | 4 | M6 X 12 | |
| 12 | 14M7303 | FLANGE NUT | 4 | M6 | |
| 13 | H133514 | LEVER | 1 | | |
| 14 | 14M7298 | FLANGE NUT | 2 | M8 | |
| 15 | AH128610 | LATCH | 1 | | |
| 16 | AH145678 | LADDER | 1 | | WITHOUT TOOLBOX OPENING |
| 17 | H136011 | STEP | 1 | | |
| 18 | 14M7396 | LOCK NUT | 12 | M8 | |
| 19 | H136127 | PLATE | 4 | | |
| 20 | 03M7185 | BOLT | 12 | M8 X 25 | |
| 21 | H136126 | HANGER | 2 | (USE WITH AH133499) | |
| 22 | 03M7190 | BOLT | 8 | M10 X 20 | |
| 23 | 14M7296 | FLANGE NUT | 8 | M10 | |

6C17

OPERATOR'S STATION

TOOL BOX
(660301-)
HP8490 -UN-13JUL99



HP8490

6C18

OPERATOR'S STATION

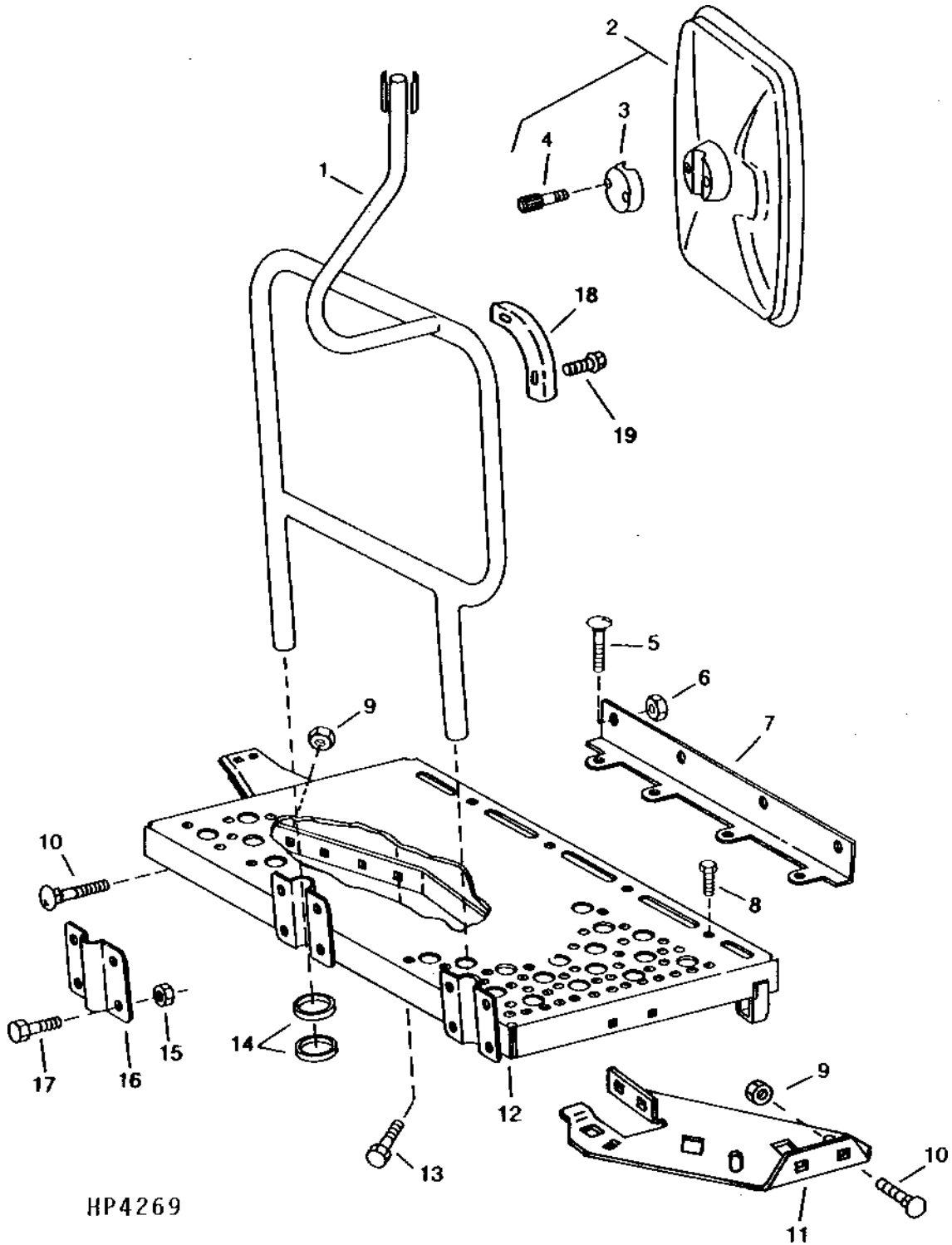
TOOL BOX - CONTINUED
(660301-)

| KEY | PART NO. | PART NAME | QTY | SERIAL NO. | REMARKS |
|-----|----------------|------------------------------------|-----|---|--------------------------|
| 1 | AT22070 | TOOLBOX | 1 | | |
| 2 | T23027 | PIN | 1 | | |
| 3 | AT22073 | HOLDER | 1 | | |
| 4 | 19M7785 | SCREW | 4 | M10 X 25 | |
| 5 | 24M7178 | WASHER | 2 | 10.500 X 30 X 2.500 MM (0.413" X 1.181" X 0.098") | |
| 6 | T23033 | BRACKET | 1 | | |
| 7 | 37M7058 | SCREW | 4 | M8 X 20 | |
| 8 | AH145157 | BRACKET | 1 | | |
| 9 | 14M7296 | FLANGE NUT | 4 | M10 | |
| 10 | H150951 | BRACE | 2 | | |
| .. | BH81052 | COMPLETE GOODS/SHIP. BUNDLE | 1 | | TOOL BOX ASSEMBLY |

6C19

OPERATOR'S STATION

CAB LANDING AND MIRROR (L.H.)
(-650300)
HP4269 -UN-01JAN94



HP4269

CAB LANDING AND MIRROR (L.H.) - CONTINUED
(-650300)

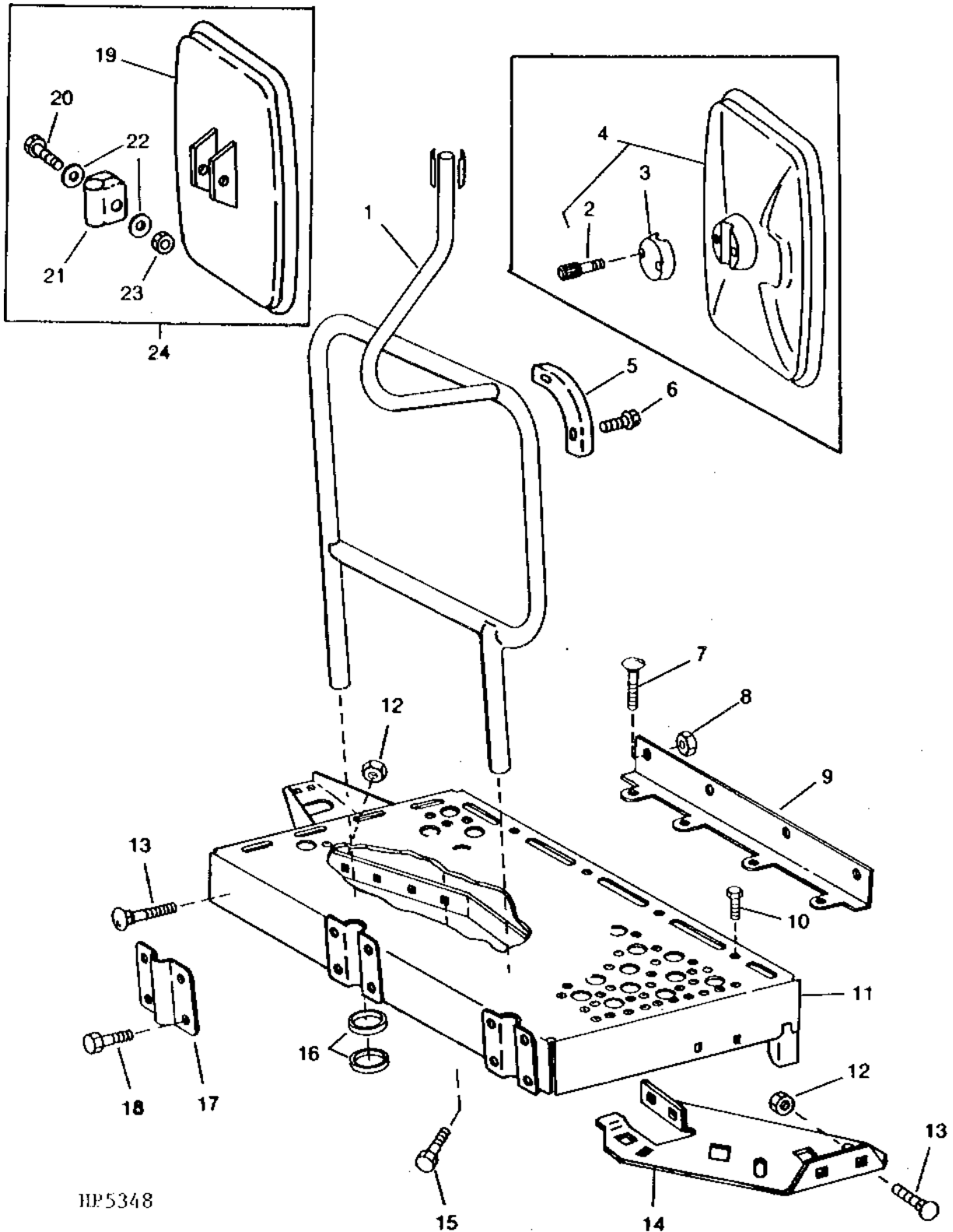
| KEY | PART NO. | PART NAME | QTY | SERIAL NO. | REMARKS |
|-----|----------|------------------|-----|------------|--------------------------|
| 1 | AH131843 | RAIL | 1 | | |
| 2 | AH142404 | REAR VIEW MIRROR | 1 | | |
| | AZ49140 | REAR VIEW MIRROR | 1 | -21OC97 | (SUB FOR AZ42315) EXPORT |
| | AZ47909 | REAR VIEW MIRROR | 1 | 21OC97- | EXPORT - FRENCH ONLY |
| 3 | | PLATE | 1 | | |
| 4 | 19M8505 | SCREW | 2 | | M6 X 25 |
| 5 | 03M7183 | BOLT | AR | | M8 X 16 |
| 6 | 14M7298 | FLANGE NUT | AR | | M8 |
| 7 | H130362 | ANGLE | 1 | | |
| 8 | 37M7058 | SCREW | AR | | M8 X 20 |
| 9 | 14M7296 | FLANGE NUT | AR | | M10 |
| 10 | 19M7784 | SCREW | AR | | M10 X 20 |
| 11 | H172944 | PLATE | 1 | | (SUB FOR H134544) |
| 12 | AH131881 | PLATFORM | 1 | | |
| 13 | 19M7784 | SCREW | AR | | M10 X 20 |
| 14 | H136110 | ISOLATOR | 4 | | |
| 15 | 14M7303 | FLANGE NUT | 4 | | M6 |
| 16 | H161289 | CLAMP | 4 | | (SUB FOR H136109) |
| 17 | 19M7862 | SCREW | 4 | | M6 X 20 |
| 18 | AH122099 | BUMPER | 1 | | |
| 19 | 37M7046 | SCREW | 2 | -646326 | |

6C21

OPERATOR'S STATION

CAB LANDING AND MIRROR (L.H.)

(650301-)
HP5348 -UN-01JAN94



HP5348

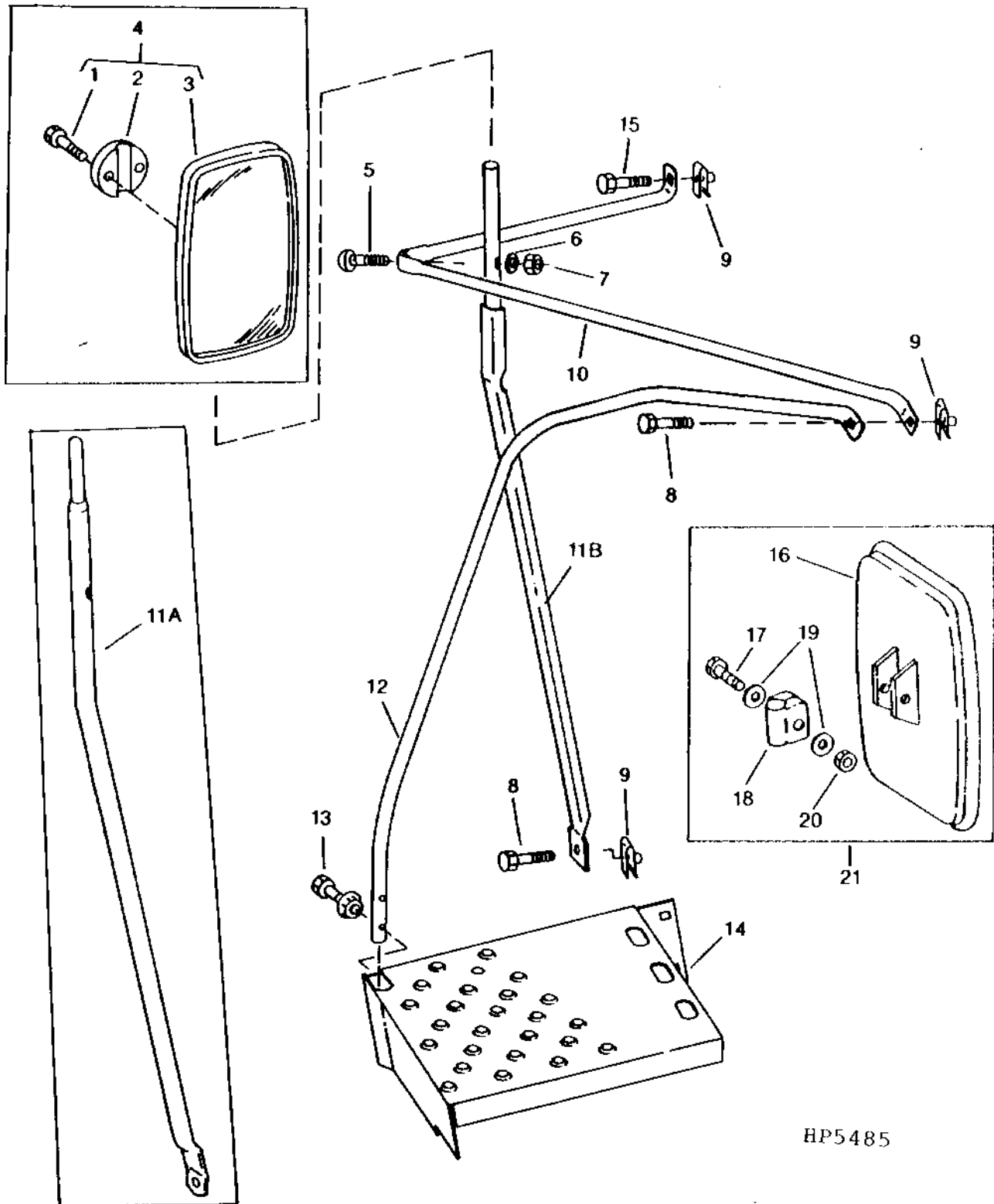
CAB LANDING AND MIRROR (L.H.) - CONTINUED
(650301-)

| KEY | PART NO. | PART NAME | QTY | SERIAL NO. | REMARKS |
|-----|----------|------------------|-----|------------|-----------------------------|
| 1 | AH141804 | RAIL | 1 | -27SE99 | |
| | AH160115 | HANDRAIL | 1 | 28SE99- | |
| 2 | 19M8505 | SCREW | 1 | -651354 | M6 X 25 |
| 3 | | PLATE | 1 | -651354 | |
| 4 | AH142404 | REAR VIEW MIRROR | 1 | | (SUB AH142404) |
| | AZ49140 | REAR VIEW MIRROR | 1 | -21OC97 | (SUB FOR AZ42315) EXPORT |
| | AZ47909 | REAR VIEW MIRROR | 1 | 21OC97- | EXPORT - FRENCH |
| 5 | AH122099 | BUMPER | 1 | | |
| 6 | 37M7046 | SCREW | 2 | | (NO LONGER AVAILABLE) |
| 7 | 03M7183 | BOLT | AR | | M8 X 16 |
| 8 | 14M7298 | FLANGE NUT | AR | | M8 |
| 9 | H130362 | ANGLE | 1 | | |
| 10 | 37M7058 | SCREW | AR | | M8 X 20 |
| 11 | AH141812 | PLATFORM | 1 | | |
| 12 | 14M7296 | FLANGE NUT | AR | | M10 |
| 13 | 19M7784 | SCREW | AR | | M10 X 20 |
| 14 | H172944 | PLATE | 1 | | (SUB FOR H134544) |
| 15 | 19M7784 | SCREW | 4 | | M10 X 20 |
| 16 | H136110 | ISOLATOR | 4 | | |
| 17 | H161289 | CLAMP | 4 | | (SUB FOR H136109) |
| 18 | 37M7131 | SCREW | 4 | | M6 X 20 |
| 19 | | LENS | 1 | 651355- | |
| 20 | | BOLT | 1 | 651355- | |
| 21 | | CLAMP | 1 | 651355- | |
| 22 | | WASHER | 1 | 651355- | |
| 23 | | NUT | 1 | 651355- | |
| 24 | AH142404 | REAR VIEW MIRROR | 1 | 651355- | |
| .. | AH146986 | WIRING HARNESS | 1 | 665436- | REMOTE MIRROR, SERVICE ONLY |
| .. | AZ47908 | SWITCH | 1 | 665436- | |

6C23

OPERATOR'S STATION

CAB LANDING AND MIRROR (R.H.)
HP5485 -UN-01JAN94



HP5485

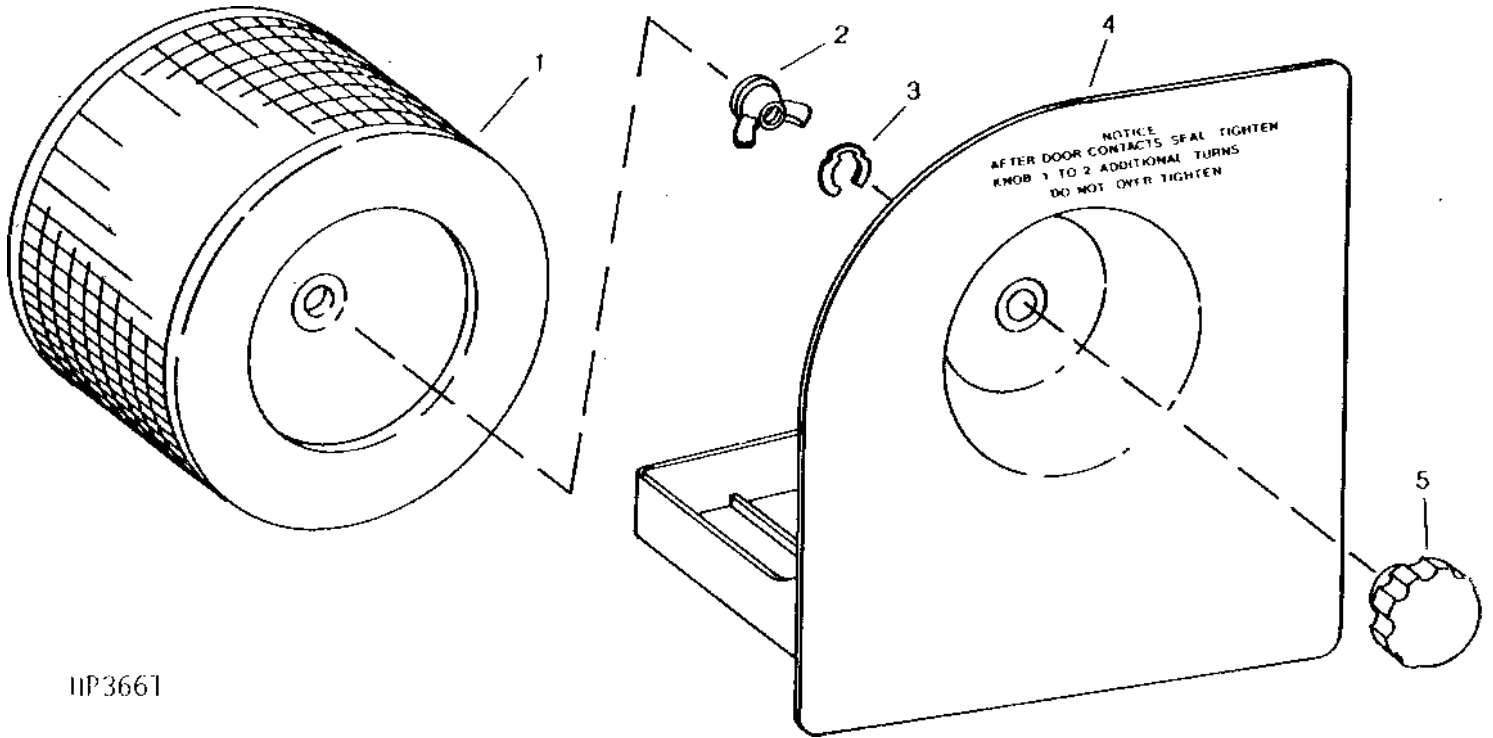
CAB LANDING AND MIRROR (R.H.) - CONTINUED

| KEY | PART NO. | PART NAME | QTY | SERIAL NO. | REMARKS |
|-----|----------|------------------|-----|---------------|--|
| 1 | 19M8505 | SCREW | 2 | | M6 X 25 |
| 2 | | PLATE | 1 | -651354 | |
| 3 | | REAR VIEW MIRROR | 1 | -651354 | |
| 4 | AH142404 | REAR VIEW MIRROR | 1 | | (SUB FOR AZ31008) |
| | AZ49140 | REAR VIEW MIRROR | 1 | -21OC97 | (SUB FOR AZ42315) EXPORT |
| | AZ47909 | REAR VIEW MIRROR | 1 | 22OC97- | EXPORT - FRENCH ONLY |
| 5 | 03M7195 | BOLT | 1 | -671608 | M10 X 45 |
| 6 | 24M7178 | WASHER | 1 | | 10.500 X 30 X 2.500 MM (0.413" X 1.181" X 0.098") |
| 7 | 14M7296 | FLANGE NUT | 1 | | M10 |
| 8 | 19M7786 | SCREW | 3 | | M10 X 30 |
| | 19M7786 | SCREW | 2 | -671608 | M10 X 30 |
| 9 | H137447 | NUT | 3 | -29SEP7 | |
| 10 | H134724 | SUPPORT | 1 | -671608 | |
| | H141948 | SUPPORT | 1 | -2FEB98 | (EXPORT ONLY) (FRENCH) |
| 11A | H134723 | SUPPORT | 1 | -642112 | (SUB AH137725) |
| 11B | AH137725 | SUPPORT | 1 | -671608 | SERVICE ONLY |
| | H141949 | SUPPORT | 1 | -2FEB98 | (EXPORT ONLY) (FRENCH) |
| | AH153617 | SUPPORT | 1 | 671609-21OCT7 | (SUB H163409, H162850, H164966 AND 28H3401) |
| | H163409 | SUPPORT | 1 | 21OCT7- | |
| 12 | H134537 | RAIL | 1 | | |
| 13 | 19M7800 | SCREW | 2 | | M8 X 50 |
| 14 | AH130587 | SHIELD | 1 | | |
| 15 | 19M7805 | SCREW | 1 | -671608 | M10 X 45 |
| 16 | | REAR VIEW MIRROR | 1 | | |
| 17 | | BOLT | 1 | | |
| 18 | | CLAMP | 1 | | |
| 19 | | WASHER | 1 | | |
| 20 | | NUT | 1 | | |
| 21 | AH142404 | REAR VIEW MIRROR | 1 | 651355- | |
| .. | AH155921 | WIRING HARNESS | 1 | 29SEP7- | REMOTE MIRROR, CAB MAIN FRENCH |

6C25

OPERATOR'S STATION

CAB AIR FILTER AND HOUSING
HP3661 -UN-01JAN94



HP3661

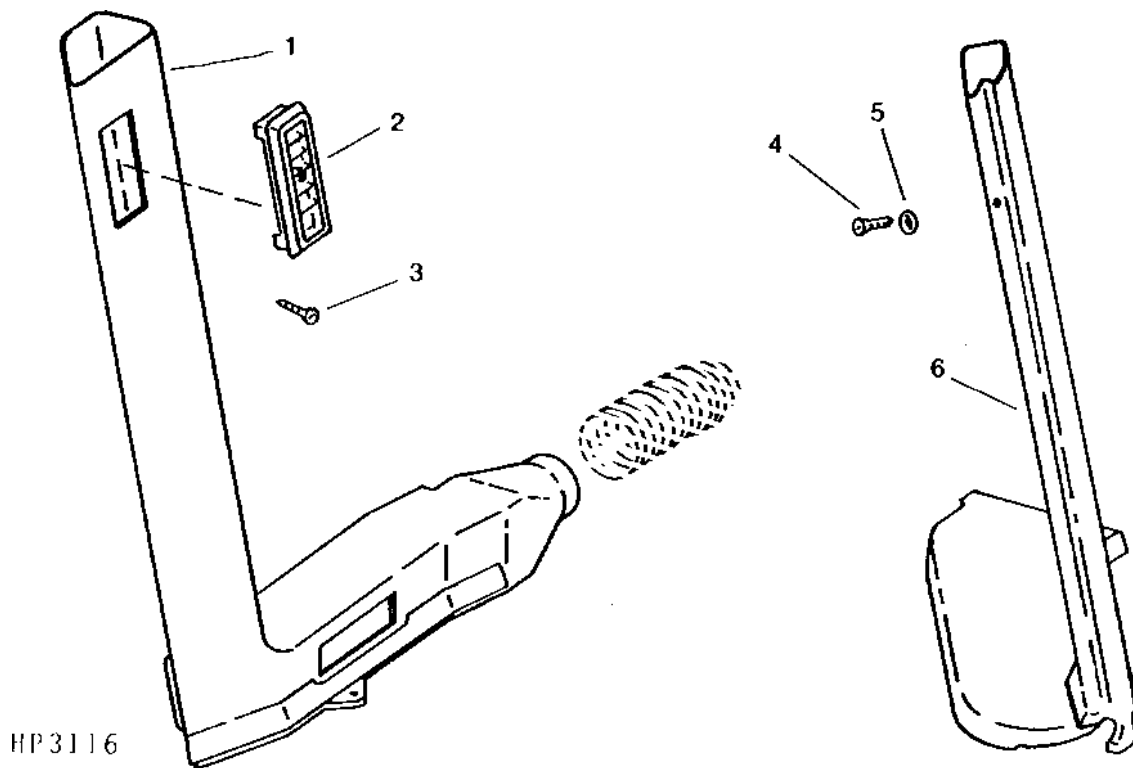
| KEY | PART NO. | PART NAME | QTY | SERIAL NO. | REMARKS |
|-----|----------|------------|-----|-------------------------|---|
| 1 | AH115833 | AIR FILTER | 1 | | |
| 2 | AH132783 | NUT | 1 | M10, (SUB FOR AH131975) | |
| 3 | R58806 | SNAP RING | 1 | | |
| 4 | AH120419 | DOOR | 1 | | DECAL IS NOW EMBOSSED RIGHT ON DOOR |
| 5 | AH120446 | KNOB | 1 | | |
| .. | H140590 | LABEL | 1 | -632271 | NOT NEEDED, INFO EMBOSSED ON DOOR |
| .. | H150119 | LABEL | 1 | 652143- | "CHECK PRECLEANER AND PRECELANER OPENING IN FLOOR (50 HRS)" |

6D1

OPERATOR'S STATION

AIR CONDITIONING AND HEATER DUCTS

HP3116 -UN-01JAN94

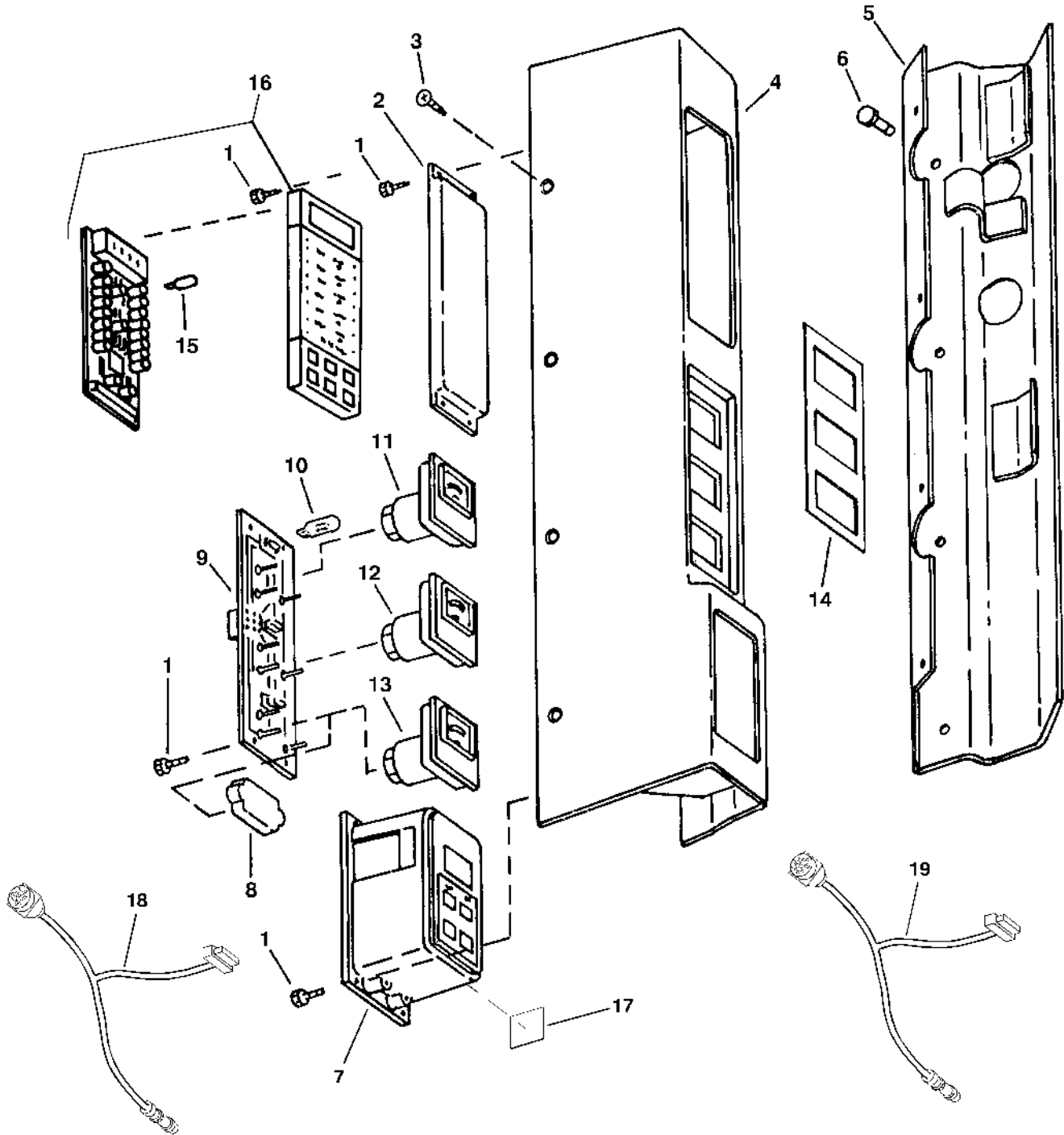


| KEY | PART NO. | PART NAME | QTY | SERIAL NO. | REMARKS |
|-----|----------|-----------|-----|------------|--|
| 1 | H129553 | HOUSING | 1 | | |
| 2 | AH134522 | GRILLE | 6 | | |
| 3 | 37M7160 | SCREW | AR | | |
| 4 | H165691 | SCREW | AR | | M6 X 16 |
| 5 | H91315 | WASHER | AR | | M6 X 20, (SUB FOR H131591 OR H168780) 5.842 X 14.224 X 2.540 MM (0.230" X 0.560" X 0.100") |
| 6 | H130515 | AIR DUCT | 1 | | |

6D2

OPERATOR'S STATION

CAB POST INSTRUMENT PANEL
HP7510 -UN-06MAY98



HP7510

6D3

OPERATOR'S STATION

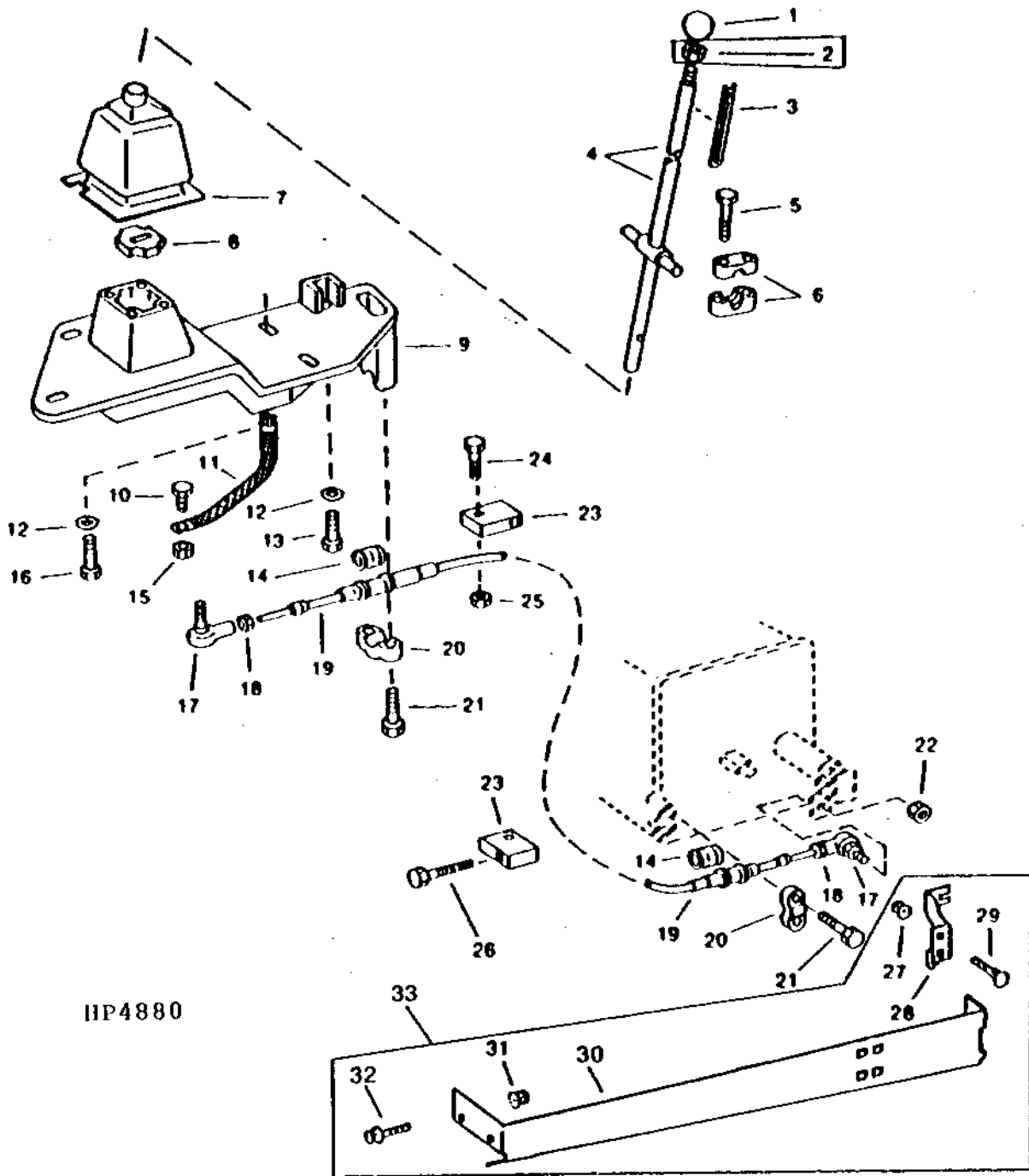
CAB POST INSTRUMENT PANEL - CONTINUED

| KEY | PART NO. | PART NAME | QTY | SERIAL NO. | REMARKS |
|-----|----------|-------------------|-----|---------------|--|
| 1 | 21M7268 | SCREW | AR | | M3 X 6 |
| 2 | H130058 | PANEL | 1 | | USE WITHOUT DATA CENTER |
| 3 | H158579 | SCREW | AR | | M5 X 12, (SUB FOR H130195) |
| 4 | AH140609 | PANEL | 1 | | (SUB FOR H124222) |
| 5 | AH120570 | BRACKET | 1 | | |
| 6 | 37M7089 | SCREW | AR | | M6 X 12 |
| 7 | AH163526 | KIT | 1 | | (SUB FOR AH128015, AH136006, AH139889, AH141791, AH142327, AH142490, AH143068, AH147555, AH159349, AH161335 OR AH159984) |
| 8 | H129686 | COVER | 1 | | USE ONLY WITHOUT HARVESTRAK |
| 9 | AH141984 | CIRCUIT BOARD | 1 | | (SUB FOR AH127572) GAUGE BOARD |
| 10 | AA27536 | BULB | 3 | | |
| 11 | AH120444 | GAUGE | 1 | | FOR FUEL |
| 12 | AH139129 | TEMPERATURE GAUGE | 1 | -666312 | (SUB FOR AH120443) ENGINE |
| | AH148354 | TEMPERATURE GAUGE | 1 | 666313-2FEB98 | ENGINE |
| | AH159352 | TEMPERATURE GAUGE | 1 | 2FEB98- | ENGINE |
| 13 | AH120445 | GAUGE | 1 | | HARVESTRAK |
| 14 | H145417 | DECAL | 1 | | GAUGE GRAPHICS DECAL |
| 15 | AH108380 | BULB | 20 | | |
| 16 | AH148192 | KIT | 1 | | (SUB FOR AH142057 OR AH145565) COMBINE DATA CENTER |
| 17 | R133617 | LABEL | 1 | 29SEP7- | |
| 18 | AH155577 | WIRING HARNESS | 1 | 29SEP7- | ADAPTER TACH W/CONCAVE |
| 19 | AH155928 | WIRING HARNESS | 1 | 3NOV97- | |

6D4

OPERATOR'S STATION

GEARSHIFT LEVER AND LINKAGE
HP4880 -UN-01JAN94



HP4880

6D5

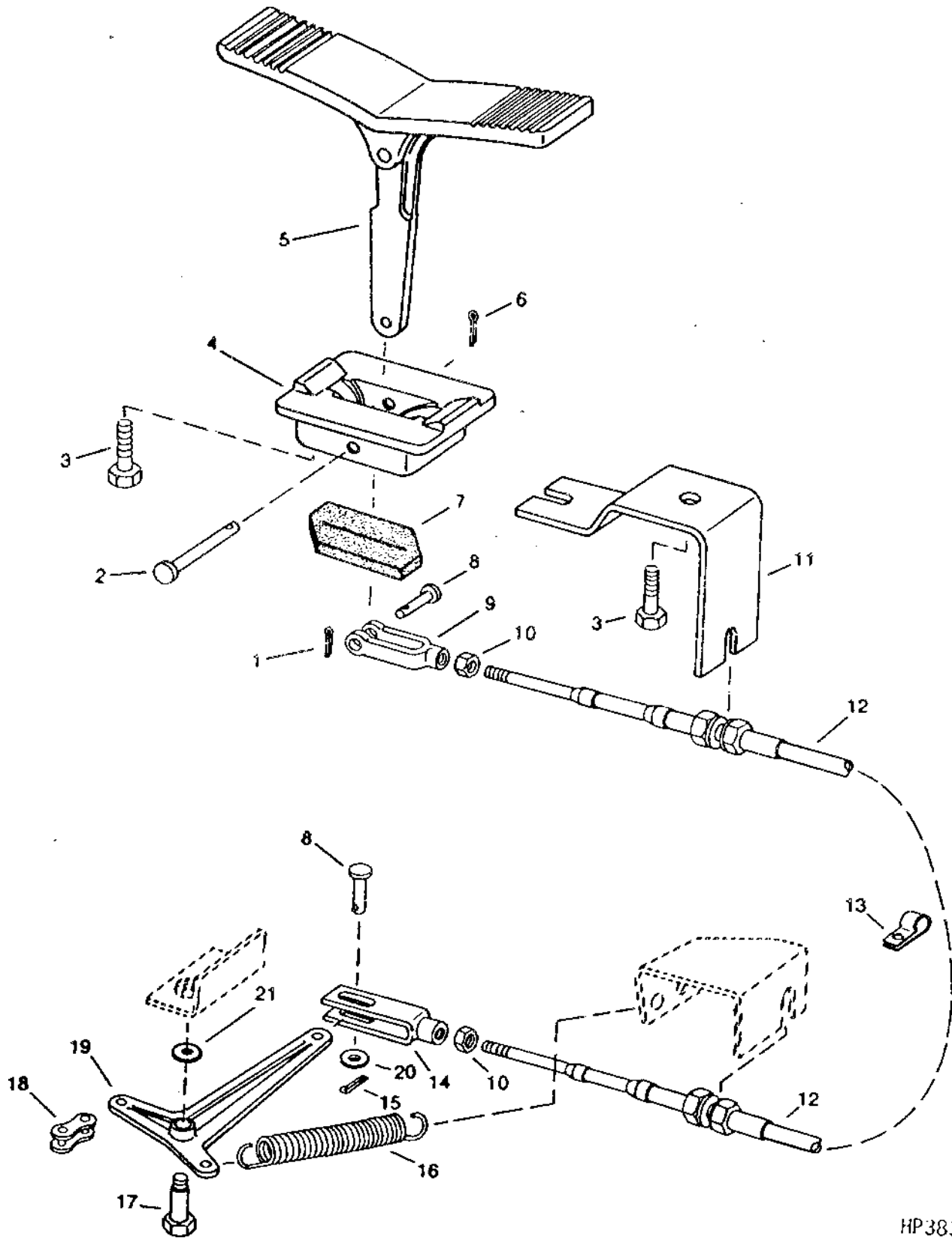
OPERATOR'S STATION

GEARSHIFT LEVER AND LINKAGE - CONTINUED

| KEY | PART NO. | PART NAME | QTY | SERIAL NO. | REMARKS |
|-----|----------|--------------|-----|------------|--|
| 1 | H125518 | KNOB | 1 | | USE TY9373 OR TY9478 OR TY9371 TO SECURE |
| 2 | 14M7433 | NUT | 1 | -635703 | M10, NO LONGER NEEDED |
| 3 | H149068 | LABEL | 1 | -6MAY96 | (SUB FOR H134767) "BRAKE" |
| 4 | AH138707 | ROD | 1 | | (SUB FOR AH135323) |
| 5 | 19M8318 | SCREW | 4 | | M8 X 45 |
| 6 | H131040 | BEARING | 4 | | |
| 7 | H131041 | BOOT | 1 | | |
| 8 | H133660 | SEAL | 1 | | |
| 9 | H133636 | HOUSING | 1 | | |
| 10 | 19M7788 | SCREW | 1 | | M12 X 25 |
| 11 | AH125010 | GROUND CABLE | 1 | | |
| 12 | 24H1296 | WASHER | 5 | | 11/32" X 1-3/8" X 0.134" |
| 13 | 19M8319 | SCREW | 1 | | M8 X 50 |
| 14 | H133662 | ISOLATOR | 2 | | |
| 15 | 14M7299 | FLANGE NUT | 1 | | M12 |
| 16 | 19M7867 | SCREW | 4 | | M8 X 25 |
| 17 | AH125958 | BALL JOINT | 2 | | |
| 18 | 14M7274 | NUT | 2 | | M10 |
| 19 | AH128356 | CABLE | 1 | | |
| 20 | H133047 | CLAMP | 2 | | |
| 21 | 19M8291 | SCREW | 4 | | M8 X 35 |
| 22 | 14M7296 | FLANGE NUT | 1 | | M10 |
| 23 | H112162 | CLAMP | 4 | -641716 | |
| 24 | 19M7799 | SCREW | 1 | | M8 X 45 |
| 25 | 14M7298 | FLANGE NUT | 1 | | M8 |
| 26 | 37M7149 | SCREW | 3 | | M8 X 50 |
| 27 | 14M7400 | LOCK NUT | 2 | | M10 |
| 28 | | BRACKET | 1 | | INC. IN AH138328 KIT |
| 29 | 03M7190 | BOLT | 2 | | M10 X 20 |
| 30 | | GUARD | 1 | | INC. IN AH138328 KIT |
| 31 | 14M7401 | LOCK NUT | 1 | | M12 |
| 32 | 19M7790 | SCREW | 1 | | M12 X 35 |
| 33 | AH138328 | KIT | 1 | 637232- | |
| .. | TY9370 | ADHESIVE | 1 | | 6 OZ. MEDIUM STRENGTH (CANADA NUMBER TY9477) |
| .. | TY9373 | GASKET | 1 | | |
| .. | TY9478 | ADHESIVE | 1 | | |
| .. | TY9371 | ADHESIVE | 1 | | 6 ML HIGH STRENGTH |

FEEDER HOUSE REVERSER FOOT CONTROL

HP3833 -UN-01JAN94



HP3833

6D7

OPERATOR'S STATION

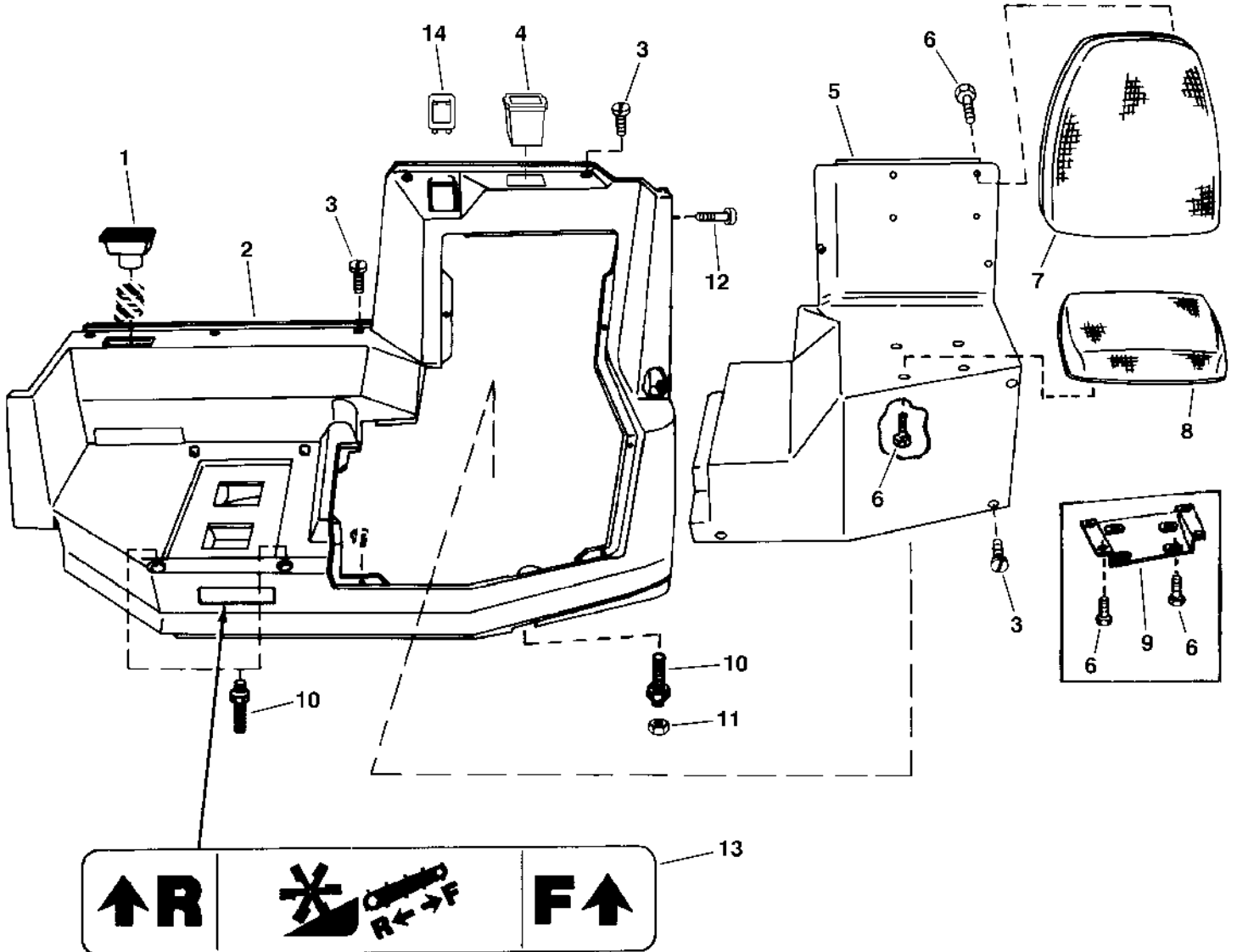
FEEDER HOUSE REVERSER FOOT CONTROL - CONTINUED

| KEY | PART NO. | PART NAME | QTY | SERIAL NO. | REMARKS |
|-----|----------|-----------------|-----|------------|--------------------------------------|
| 1 | 11M7082 | COTTER PIN | 1 | | 2.500 X 25 MM |
| 2 | R65569 | PIN | 1 | | 9.398 X 49.479 MM (0.370" X 1.948") |
| 3 | 19M7866 | SCREW | 4 | | M8 X 20 |
| 4 | H134489 | BEZEL | 1 | | |
| 5 | H134488 | PEDAL | 1 | | |
| 6 | 11M7081 | COTTER PIN | 1 | | 2.500 X 20 MM |
| 7 | H133210 | SEAL | 1 | | |
| 8 | T16193 | PIN | 1 | | 6.248 X 29.362 MM (0.246" X 1-5/32") |
| 9 | H130646 | YOKE | 1 | | |
| 10 | 14M7273 | NUT | 2 | | M8 |
| 11 | H133208 | SUPPORT | 1 | | |
| 12 | AH128452 | PUSH PULL CABLE | 1 | | |
| 13 | R73384 | CLAMP | 1 | | |
| 14 | AH127383 | YOKE | 1 | | |
| 15 | 11M7082 | COTTER PIN | 1 | | 2.500 X 25 MM |
| 16 | H84948 | SPRING | 1 | | |
| 17 | H127749 | BOLT | 1 | | |
| 18 | AE23791 | CHAIN LINK | 1 | | |
| 19 | H140836 | BELLCRANK | 1 | | (SUB FOR H127747) |
| 20 | 24M7054 | WASHER | 1 | | 6.400 X 12 X 1.600 MM |
| 21 | 24M7047 | WASHER | 1 | | 13 X 24 X 2.500 MM |

6D8

OPERATOR'S STATION

SEAT SHROUDS AND PASSENGER SEAT
HP7237 -UN-04DEC97



HP7237

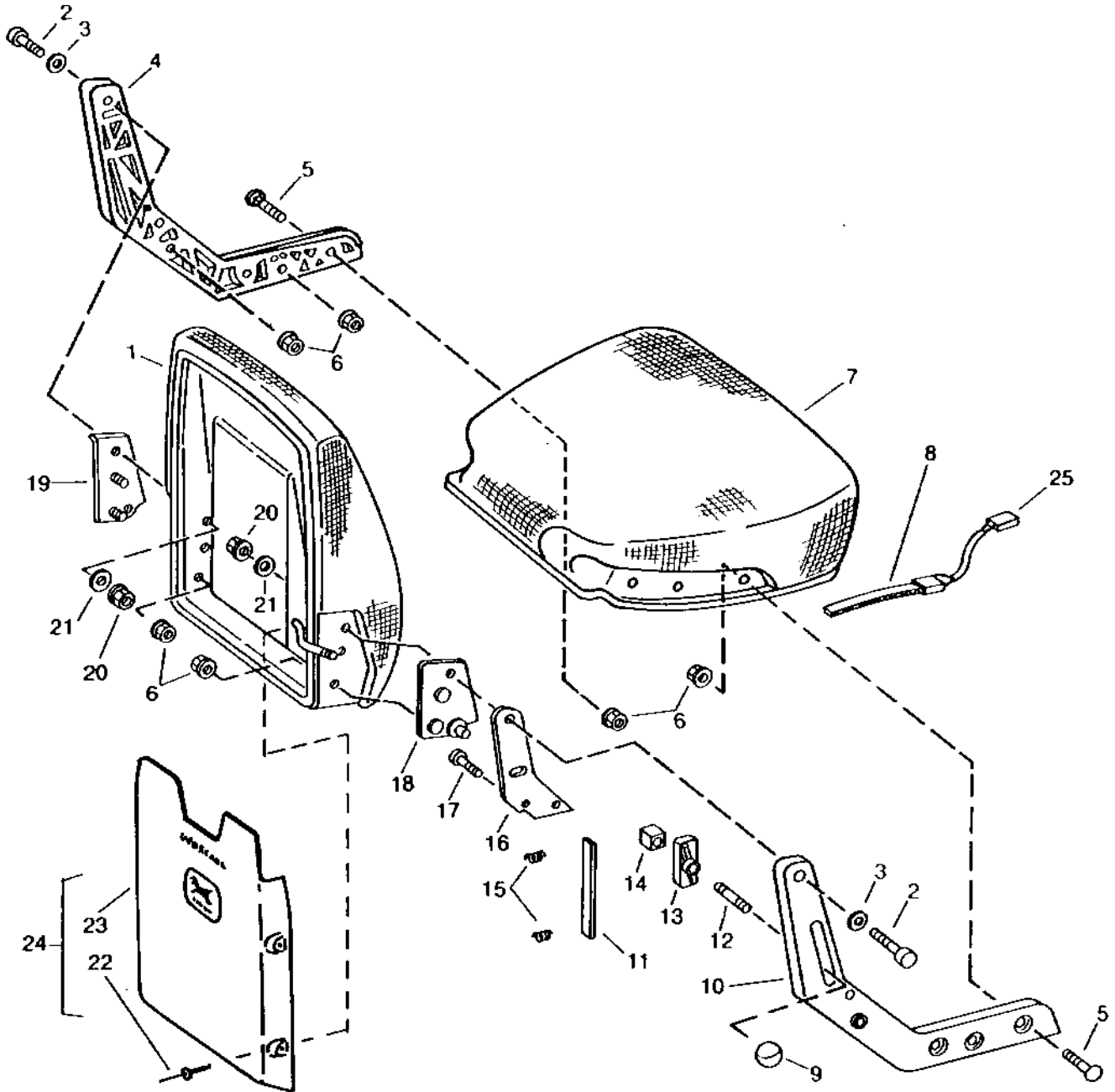
SEAT SHROUDS AND PASSENGER SEAT - CONTINUED

| KEY | PART NO. | PART NAME | QTY | SERIAL NO. | REMARKS |
|-----|----------------|------------------------------------|----------|---------------|---|
| 1 | AH134724 | BOX | 1 | | |
| 2 | AH131403 | CONSOLE | 1 | -660300 | (SUB AH145673) |
| | AH145673 | CONSOLE | 1 | 660301-667091 | |
| | AH147537 | CONSOLE | 1 | 667092-4AUG97 | (SUB AH148959) |
| | AH148959 | ASSEMBLY LINE PARTS | 1 | -4AUG97 | (SERVICE ONLY) |
| | AH161929 | CONSOLE | 1 | 28SEP8- | |
| 3 | H165691 | SCREW | 10 | | M6 X 20, (SUB FOR H131591 OR H168780) |
| 4 | H116359 | PAN | 1 | -29SEP7 | |
| | H162048 | CONTAINER | 1 | 29SEP7-28SEP8 | |
| | H168436 | PAN | 1 | 28SEP8- | |
| 5 | H125459 | COVER | 1 | -667958 | (SERVICE ONLY) |
| 6 | 19M8331 | CAP SCREW | 12 | -640300 | |
| | 19M8331 | CAP SCREW | 8 | 640301- | |
| 7 | AH108389 | SEAT | 1 | -667091 | |
| | AH147066 | SEAT | 1 | 667092- | |
| 8 | AH108388 | SEAT | 1 | -638004 | |
| | AH138111 | SEAT | 1 | 638005- | |
| 9 | AH125541 | BRACKET | 1 | -646121 | (NO LONGER AVAILABLE) |
| 10 | H123740 | STUD | 6 | -17JUN | |
| | H150455 | STUD | 6 | | |
| 11 | 14M7296 | FLANGE NUT | 4 | | M10 |
| 12 | H132451 | CAP SCREW | 3 | | M6 X 50 |
| 13 | H137823 | PANEL | 1 | | FEEDER HOUSE REVERSER DECAL - FORWARD, REVERSE |
| 14 | H161091 | BEZEL | 1 | 4AUG97- | |
| .. | AH138666 | CUSHION | 1 | | INCLUDES AH138111 AND INSTRUCTIONS FOR INSTALLATION ON PRE- 1991 MACHINES NO LONGER AVAILABLE |
| .. | BH78343 | COMPLETE GOODS/SHIP. BUNDLE | 1 | | PASSENGER SEAT |

6D10

OPERATOR'S STATION

OPERATOR'S SEAT AND BACKREST
HP3132 -UN-01JAN94



HP3132

6D11

OPERATOR'S STATION

OPERATOR'S SEAT AND BACKREST - CONTINUED

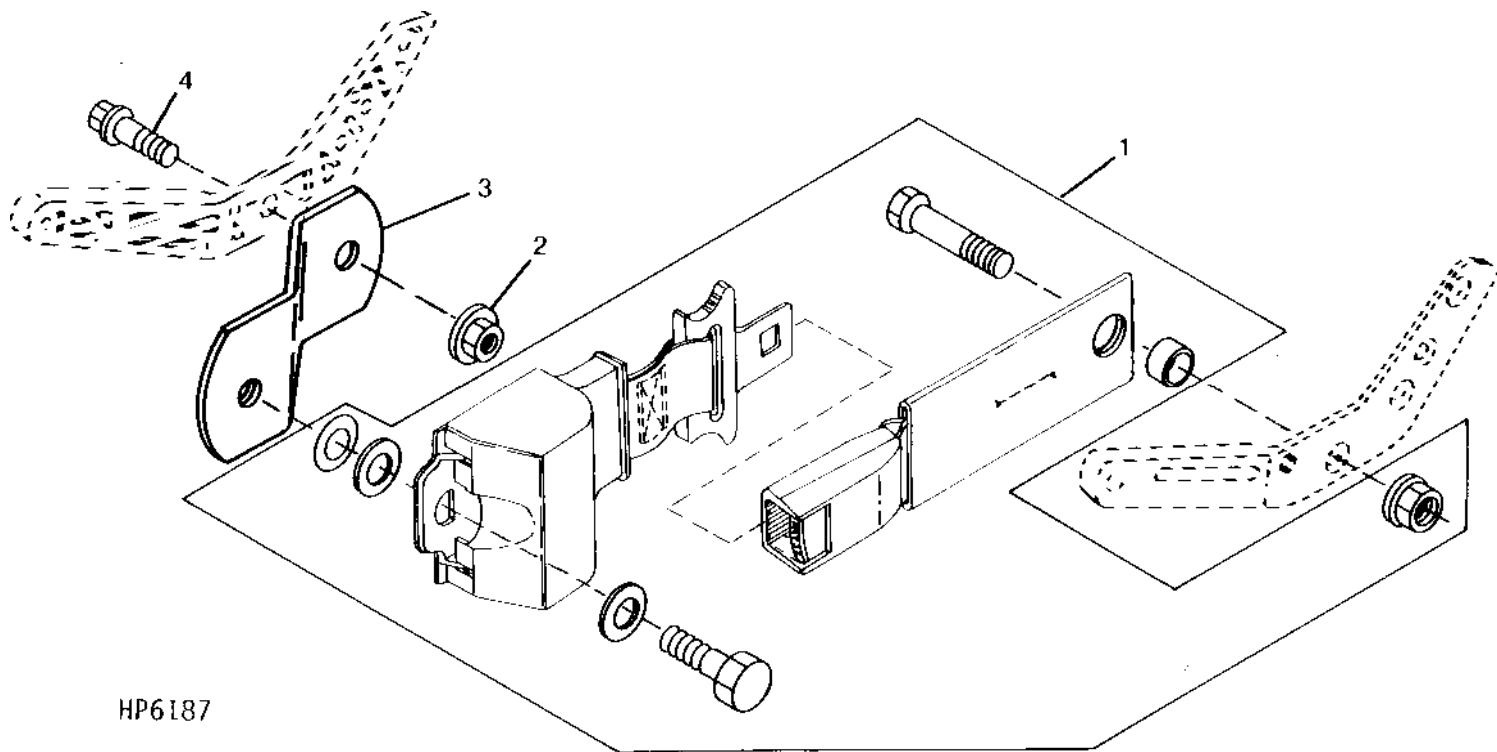
| KEY | PART NO. | PART NAME | QTY | SERIAL NO. | REMARKS |
|-----|----------|----------------------------|-----|------------|---|
| 1 | AR71107 | CUSHION | 1 | | |
| 2 | R59019 | SCREW | 2 | | 9.525 X 41.402 MM (3/8" X 1.630") |
| 3 | T519T | WASHER | 2 | | 12.700 X 19.050 X 0.381 MM (1/2" X 3/4" X 0.015") |
| 4 | R89143 | SUPPORT | 1 | | |
| 5 | R59015 | GANG BOLT | 4 | | 9.525 X 31.750 MM (3/8" X 1-1/4") |
| 6 | N10215 | LOCK NUT | 8 | | 9.525 MM (3/8") |
| 7 | AN192773 | CUSHION | 1 | -660300 | |
| | AH145065 | SEAT | 1 | 660301- | |
| 8 | AH127662 | SWITCH | 1 | | |
| 9 | R60458 | KNOB | 1 | | |
| 10 | R89142 | SUPPORT | 1 | | |
| 11 | R59009 | REINFORCEMENT | 1 | | |
| 12 | R59012 | WELD STUD | 1 | | |
| 13 | R59010 | ADJUSTER | 1 | -635539 | (SUB R105581) |
| | R105581 | ADJUSTER | 1 | | |
| 14 | R59018 | BUSHING | 1 | | |
| 15 | R31890 | SPRING | 2 | | |
| 16 | R59011 | PLATE | 1 | | |
| 17 | 37H120 | SCREW | 1 | | 0.164" X 1/2" |
| 18 | AR71108 | PLATE | 1 | | |
| 19 | AR71109 | PLATE | 1 | | |
| 20 | H99923 | LOCK NUT | 2 | | 9.525 MM (3/8") |
| 21 | R53665 | WASHER | 2 | | 10.312 X 17.450 X 1.524 MM (13/32" X 11/16" X 0.060") |
| 22 | | RIVET | 1 | | IN RE13541 KIT |
| 23 | | HOLDER | 1 | | IN RE13541 KIT |
| 24 | RE13541 | KIT | 1 | | |
| 25 | R78053 | PIN CONTACT CONNECTOR BODY | 1 | | (PKG OF 3) |
| | R78063 | TERMINAL NIPPLE | 1 | | (PKG OF 40) |
| | R78058 | PIN CONTACT | 1 | | (PKG OF 40) |
| .. | RE12049 | CUSHION | 1 | | INCLUDES MANUAL HOLDER |

6D12

OPERATOR'S STATION

OPERATOR'S SEAT SEATBELT

(665301-)
 HP6187 -UN-18OCT95



HP6187

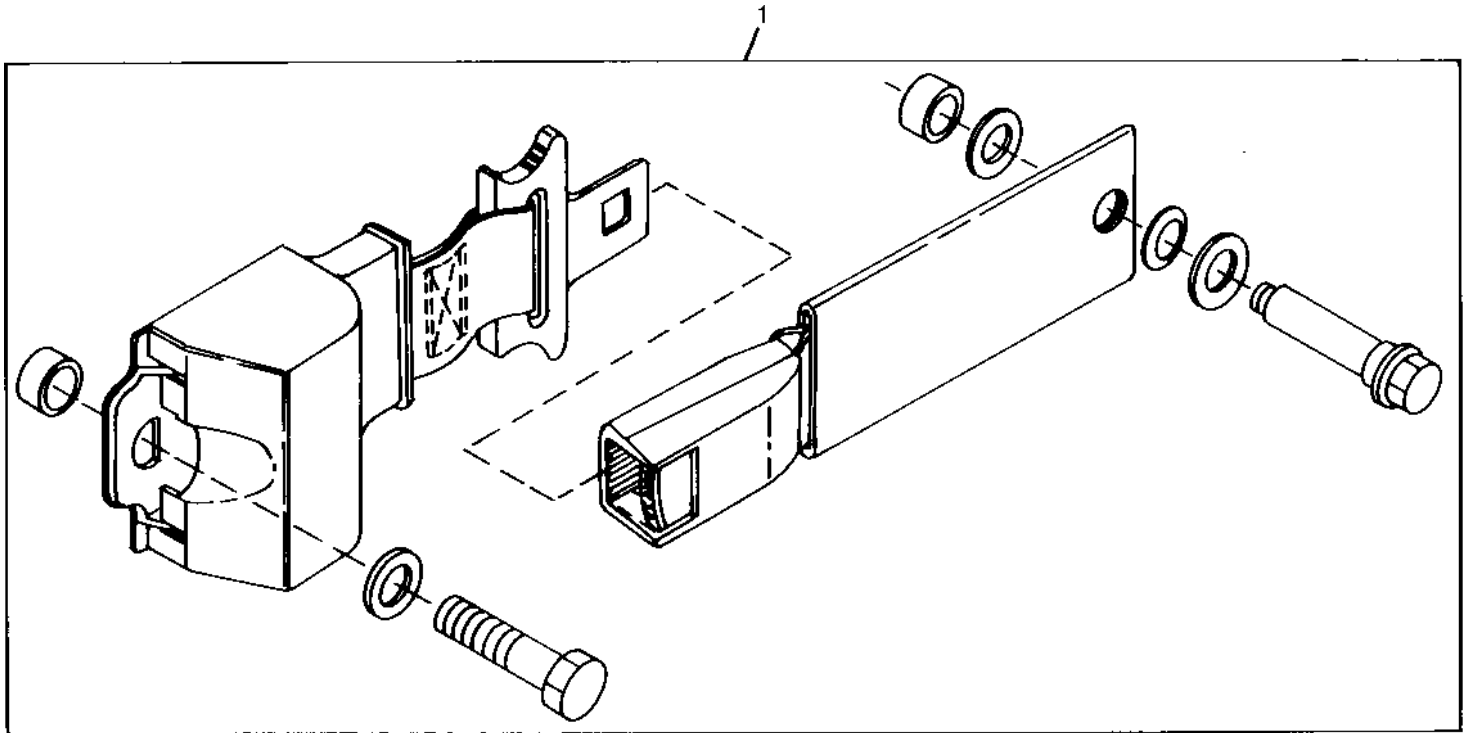
| KEY | PART NO. | PART NAME | QTY | SERIAL NO. | REMARKS |
|-----|----------------|------------------------------------|----------|------------------------------|---------|
| 1 | AH146742 | SEAT BELT | 1 | | |
| 2 | 14M7400 | LOCK NUT | 1 | M10 | |
| 3 | AH147030 | BRACKET | 1 | (MOUNTING) | |
| 4 | 19M7835 | SCREW | 1 | M10 X 35 | |
| .. | BH81159 | COMPLETE GOODS/SHIP. BUNDLE | 1 | RETROFIT SEATBELT KIT | |

6D13

OPERATOR'S STATION

TRAINING SEAT SEATBELT

(665301-)
HP6188 -UN-03OCT95



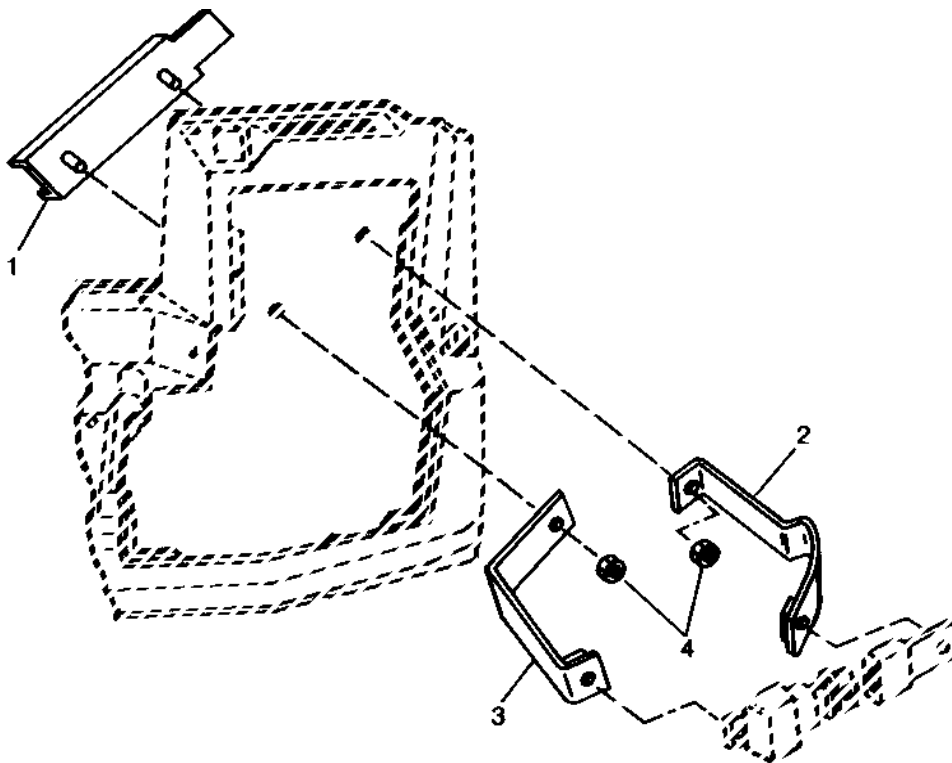
HP6188

| KEY | PART NO. | PART NAME | QTY | SERIAL NO. | REMARKS |
|-----|----------|-----------|-----|------------|---------|
| 1 | AH147153 | SEAT BELT | 1 | | |

6D14

OPERATOR'S STATION

RETROFIT SEAT BELT KIT
(FOR ALL MACHINES PRIOR TO 1996 MODEL YEAR)
 HP6265 -UN-23JAN96



HP6265

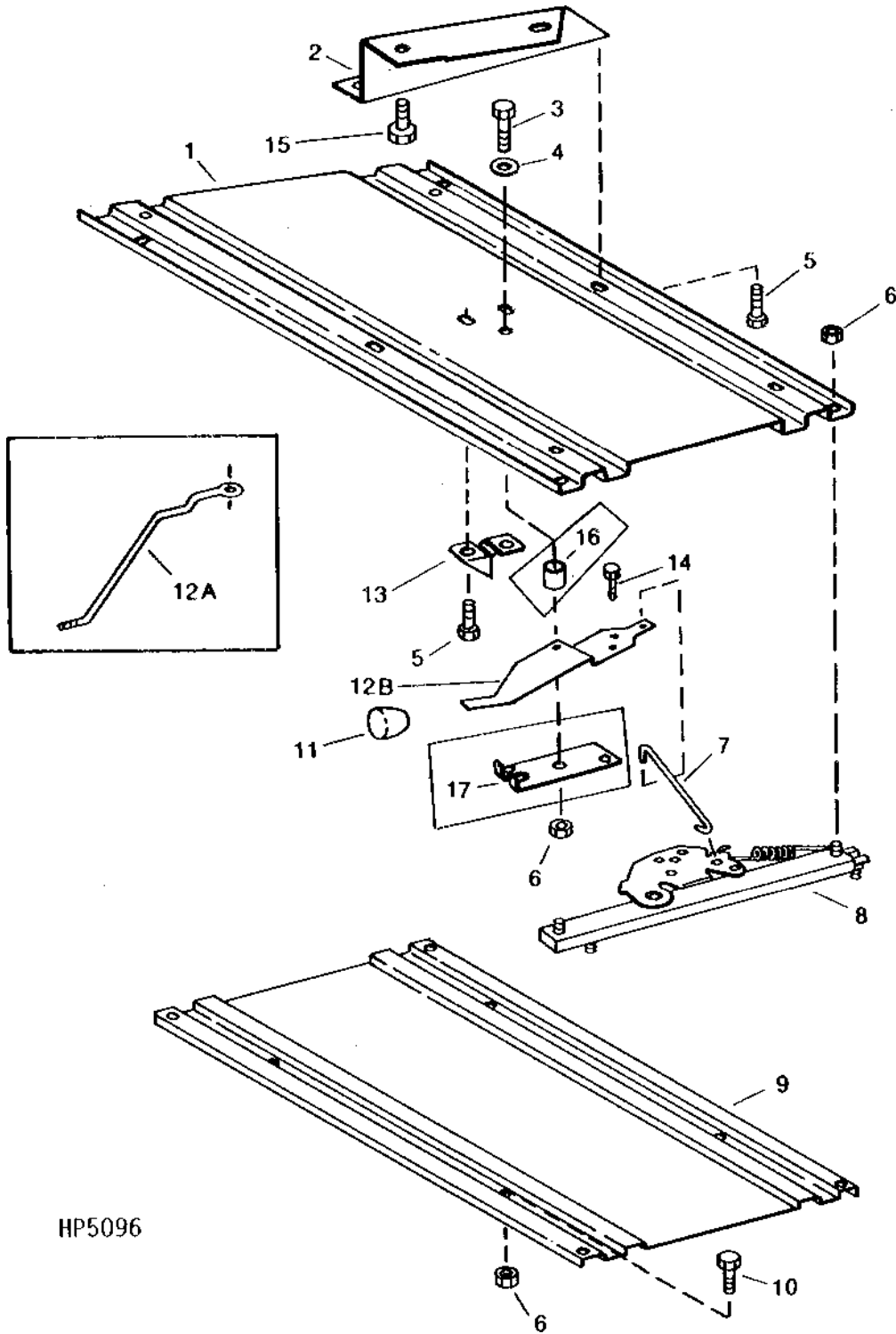
| KEY | PART NO. | PART NAME | QTY | SERIAL NO. | REMARKS |
|-----|----------------|------------------------------------|-----|------------|------------------------------|
| 1 | AH148225 | BRACKET | 1 | | |
| 2 | AH148227 | BRACKET | 1 | | |
| 3 | AH148226 | BRACKET | 1 | | |
| 4 | 14M7296 | FLANGE NUT | 2 | M10 | |
| .. | BH81159 | COMPLETE GOODS/SHIP. BUNDLE | 1 | | RETROFIT SEATBELT KIT |

MEMORANDA

6D15

OPERATOR'S STATION

SEAT ADJUST FORE-AND-AFT
HP5096 -UN-01JAN94



HP5096

6D16

OPERATOR'S STATION

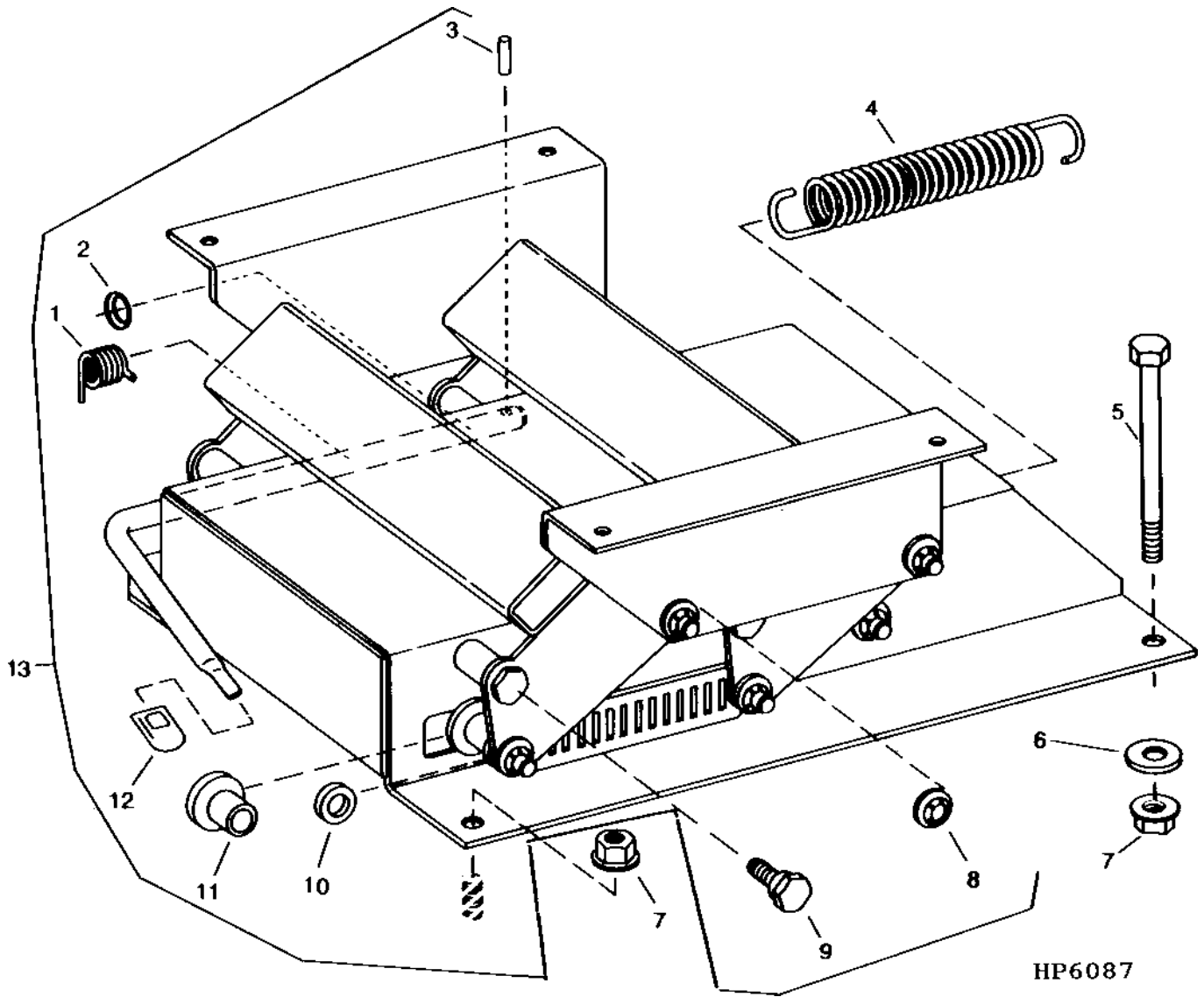
SEAT ADJUST FORE AND AFT - CONTINUED

| KEY | PART NO. | PART NAME | QTY | SERIAL NO. | REMARKS |
|-----|----------|------------|-----|------------|---|
| 1 | AH116313 | PLATE | 1 | | |
| 2 | AH110674 | BRACKET | 2 | | |
| 3 | 19M7868 | SCREW | 1 | | M8 X 30 |
| 4 | 24H1296 | WASHER | 1 | | 11/32" X 1-3/8" X 0.134" |
| 5 | 19M7866 | SCREW | 6 | | M8 X 20 |
| 6 | 14M7424 | FLANGE NUT | 13 | -646180 | M8, (SUB 14M7298) |
| | 14M7298 | FLANGE NUT | 13 | | M8 |
| 7 | H127772 | FITTING | 2 | -636197 | |
| | H96391 | PIN | 1 | 636198- | |
| 8 | AH122648 | ADJUSTER | 2 | | |
| 9 | H115987 | PLATE | 1 | | |
| 10 | 19M8331 | CAP SCREW | 4 | | M8 X 20 |
| 11 | H83055 | KNOB | 1 | | |
| 12A | H127773 | LEVER | 1 | -636469 | (SUB H141289, H96391 AND 37M7089) |
| 12B | H141289 | LEVER | 1 | 636470- | |
| 13 | H130166 | BUMPER | 1 | -638003 | (SUB H144274) |
| | H144274 | BUMPER | 1 | | |
| 14 | 37M7089 | SCREW | 3 | 638004- | M6 X 12 |
| 15 | 19H1900 | CAP SCREW | 4 | | 7.925 X 19.050 MM (5/16" X 3/4") |
| 16 | H118153 | BUSHING | 1 | -636197 | 8.500 X 12.700 X 13.200 MM (0.335" X 1/2" X 0.520") |
| 17 | H115988 | BRACKET | 1 | -636197 | |

6D17

OPERATOR'S STATION

CAB SEAT HEIGHT ADJUSTER (VERTICAL CONTROL)
HP6087 -UN-07JUN95



HP6087

6D18

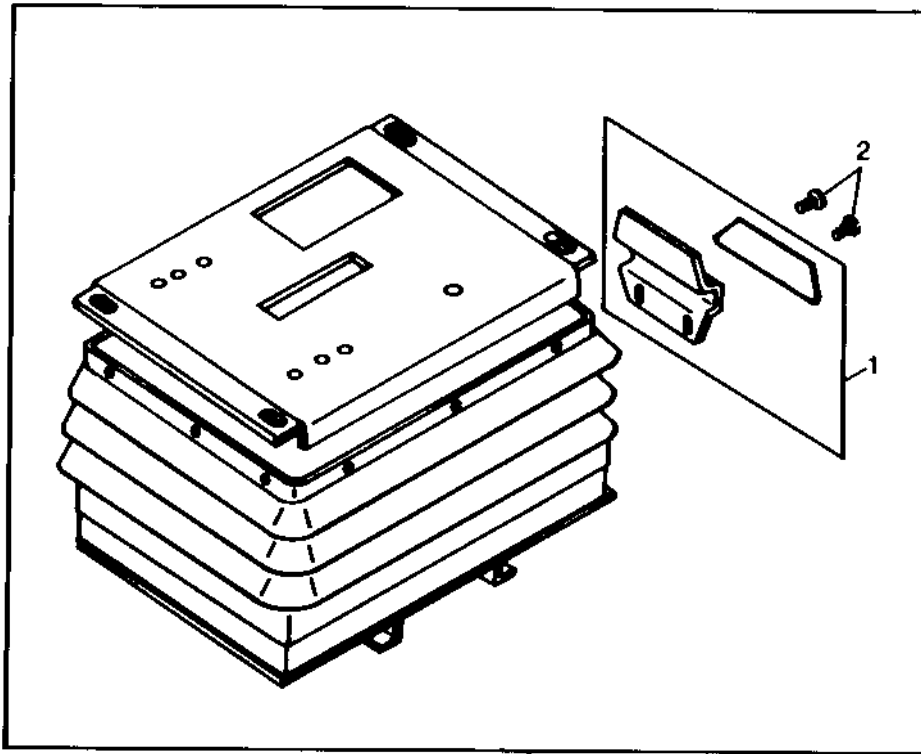
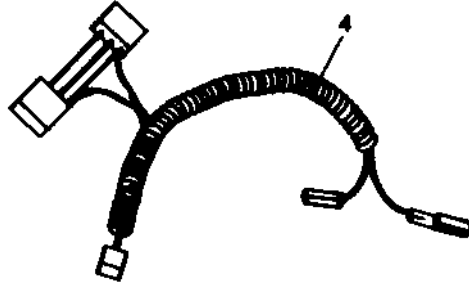
OPERATOR'S STATION

CAB SEAT HEIGHT ADJUSTER (VERTICAL CONTROL) - CONTINUED

| KEY | PART NO. | PART NAME | QTY | SERIAL NO. | REMARKS |
|-----|----------|-------------|-----|------------|---|
| 1 | T62828 | SPRING | 1 | | |
| 2 | P48925 | SHIM | AR | | |
| 3 | 34H262 | SPRING PIN | 1 | | 3.962 X 19.050 MM (5/32" X 3/4") |
| 4 | H137417 | LEAF SPRING | 2 | | |
| 5 | H132452 | CAP SCREW | 2 | | M10 X 200 |
| 6 | 24M7178 | WASHER | 2 | | 10.500 X 30 X 2.500 MM (0.413" X 1.181" X 0.098") |
| 7 | 14M7296 | FLANGE NUT | 4 | | M10 |
| 8 | E58183 | NUT | AR | | 12.700 MM (1/2") |
| 9 | H137418 | BOLT | 4 | | 12.700 X 24.800 MM (1/2" X 0.976") |
| 10 | H137421 | WASHER | 2 | | 13 X 25 X 3 MM (0.512" X 0.984" X 0.118") |
| 11 | H137420 | HALF SLEEVE | 2 | | |
| 12 | T55201 | GRIP | 1 | | |
| 13 | AH113301 | ADJUSTER | 1 | | |
| .. | AH156332 | SEAT | 2 | | |
| .. | 14M7298 | FLANGE NUT | 4 | | M8 |
| .. | AH156727 | KIT | 1 | | |

6D19

AIR SEAT SUSPENSION
(660301-)
HP5882 -UN-18OCT94



HP5882

6D20

OPERATOR'S STATION

AIR SEAT SUSPENSION - CONTINUED
(660301-)

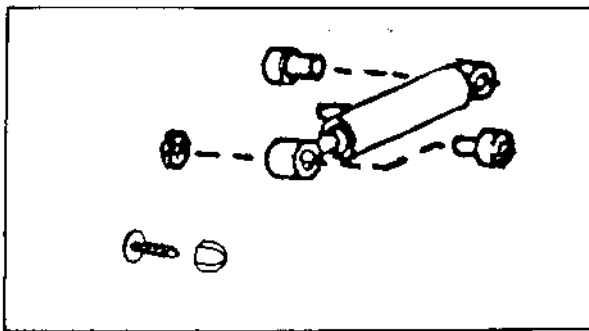
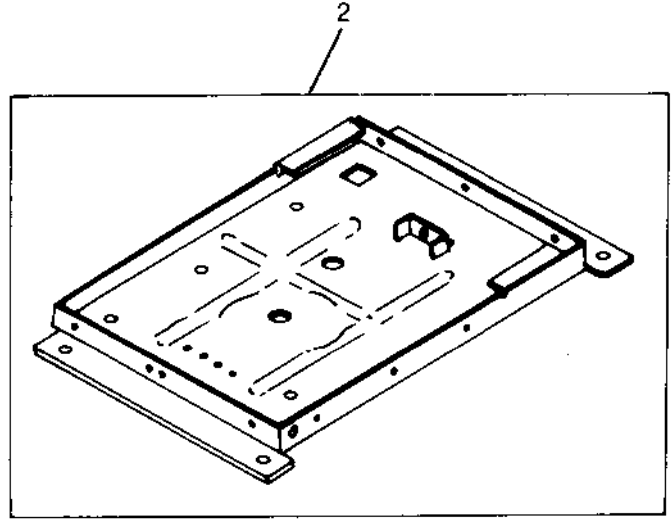
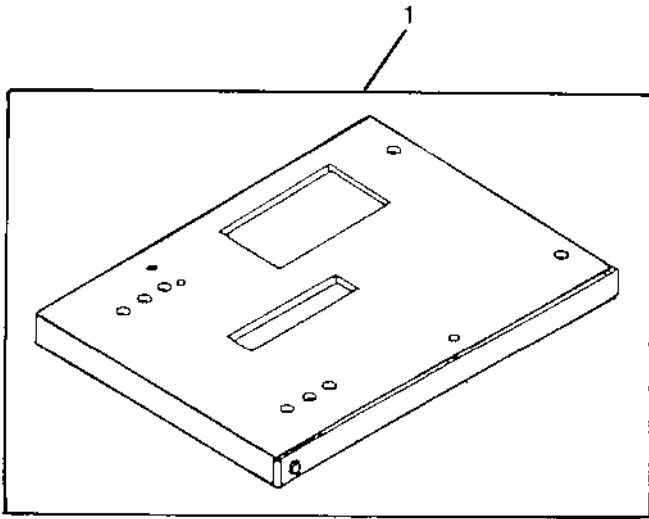
| KEY | PART NO. | PART NAME | QTY | SERIAL NO. | REMARKS |
|-----|----------------|------------------------------------|----------|------------|----------------------|
| 1 | AH144778 | PANEL | 1 | | |
| 2 | 37M7089 | SCREW | 2 | | M6 X 12 |
| 3 | AH140206 | SEAT SUSPENSION | 1 | -660921 | (SUB BH81076) |
| 4 | AH146032 | WIRING HARNESS | 1 | | |
| .. | BH81076 | COMPLETE GOODS/SHIP. BUNDLE | 1 | | AIR RIDE SEAT |

6D21

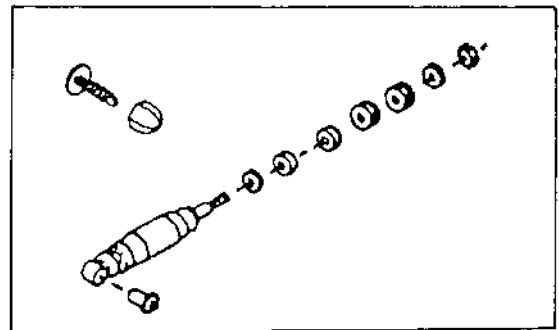
OPERATOR'S STATION

AIR SEAT SUSPENSION KITS

(665301-)
HP6191 -UN-08OCT97



HP6191



6D22

OPERATOR'S STATION

AIR SEAT SUSPENSION KITS - CONTINUED
(665301-)

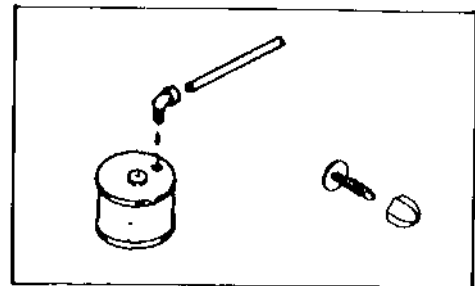
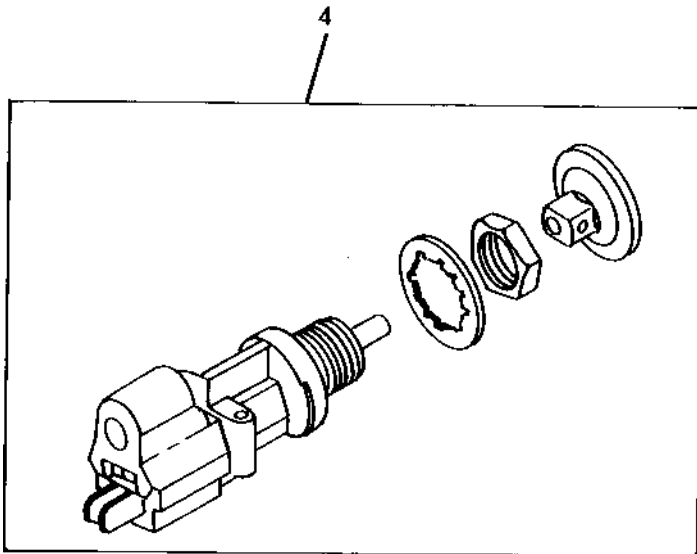
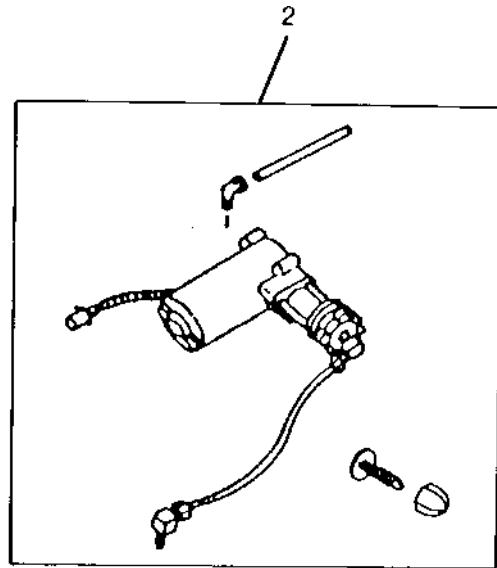
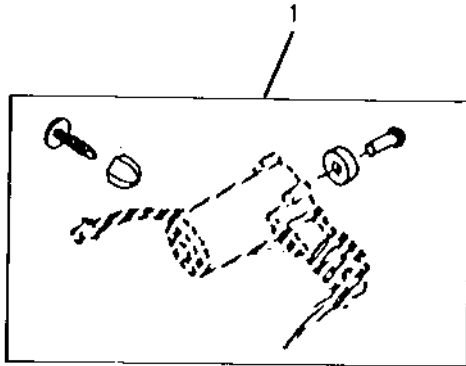
| KEY | PART NO. | PART NAME | QTY | SERIAL NO. | REMARKS |
|-----|----------|-------------------------|-----|------------|----------------|
| 1 | AH146234 | KIT | 1 | | UPPER HOUSING |
| 2 | AH136937 | KIT | 1 | | LOWER HOUSING |
| 3 | RE65695 | SEAT SHOCK ABSORBER KIT | 1 | | SHOCK ABSORBER |
| 4 | RE52553 | SEAT SHOCK ABSORBER KIT | 1 | | FORE/AFT |

6D23

OPERATOR'S STATION

AIR SEAT SUSPENSION KITS

(665301-)
HP6192 -UN-03OCT95



HP6192

6D24

OPERATOR'S STATION

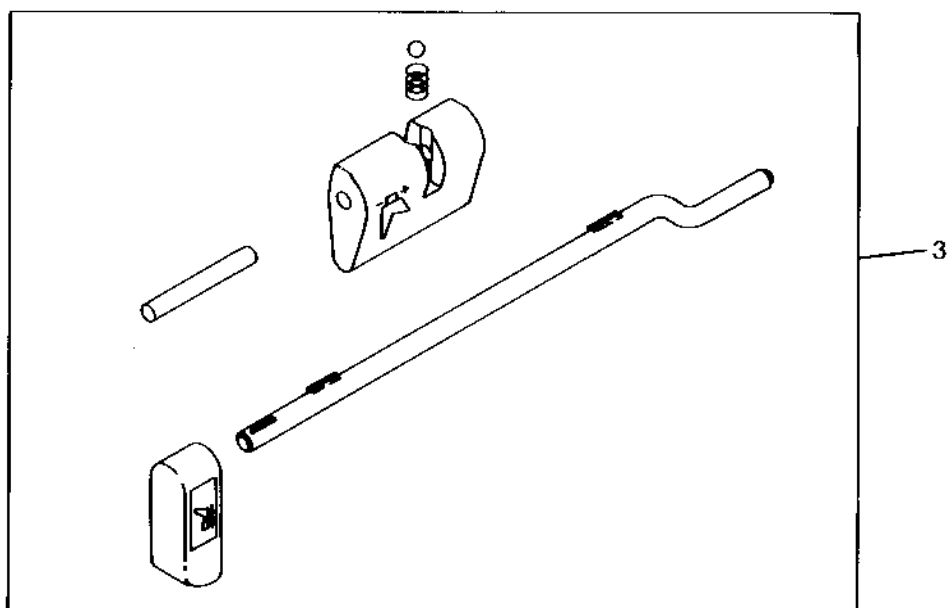
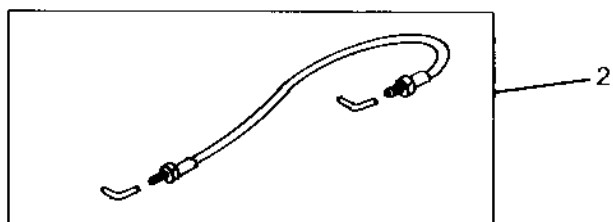
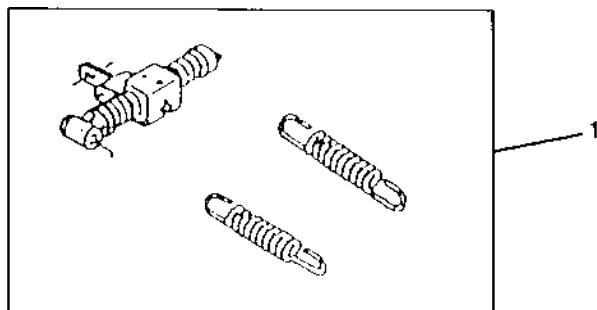
AIR SEAT SUSPENSION KITS - CONTINUED
(665301-)

| KEY | PART NO. | PART NAME | QTY | SERIAL NO. | REMARKS |
|-----|----------|-----------------------|-----|------------|-----------------------|
| 1 | RE65693 | COMPRESSOR FILTER KIT | 1 | | |
| 2 | AH136929 | KIT | 1 | | COMPRESSOR |
| 3 | RE65694 | AIR SPRING SEAT KIT | 1 | | AIR SPRING |
| 4 | AH136930 | KIT | 1 | | HT. ADJ. SWITCH VALVE |

6E1

AIR SEAT SUSPENSION KITS

(665301-)
HP6193 -UN-03OCT95



HP6193

6E2

OPERATOR'S STATION

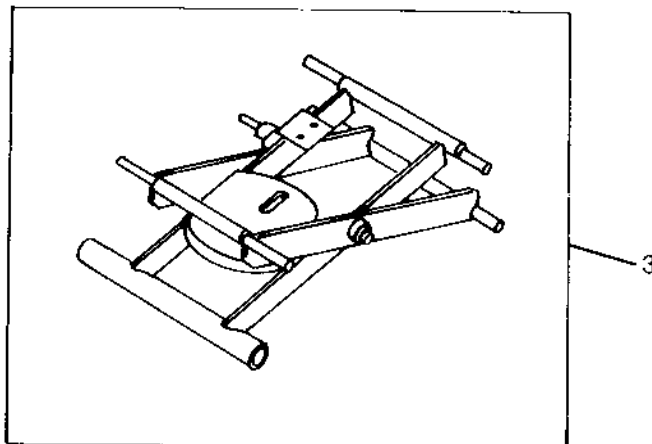
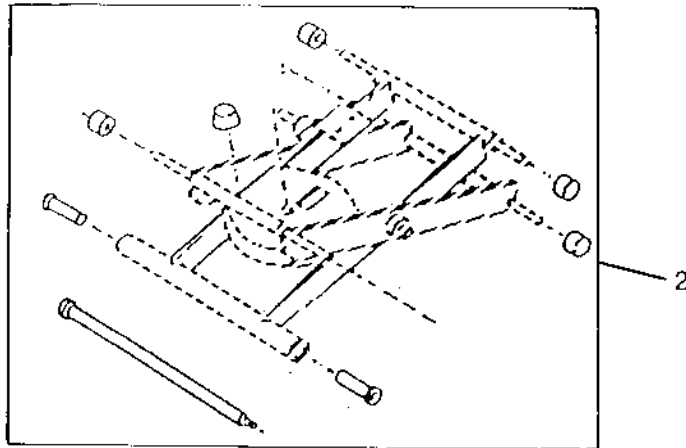
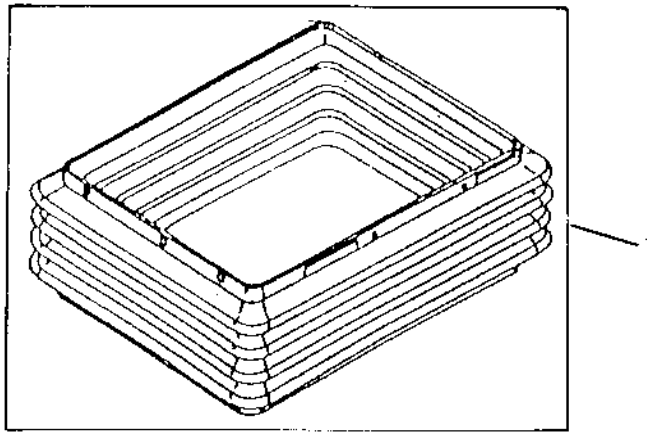
AIR SEAT SUSPENSION KITS - CONTINUED
(665301-)

| KEY | PART NO. | PART NAME | QTY | SERIAL NO. | REMARKS |
|-----|----------|----------------------------|-----|------------|--------------------------|
| 1 | RE65696 | SEAT ATTENUATOR SPRING KIT | 1 | -18AUG7 | ATTENUATOR SPRING |
| | AH157634 | KIT | 1 | 18AUG7- | FORE/AFT ISOLATOR |
| 2 | AH136935 | KIT | 1 | | RIDE FIRMNESS ADJ. CABLE |
| 3 | AH136934 | KIT | 1 | -18AUG7 | KNOB (INCLUDES 2 KNOBS) |
| | AH157557 | KIT | 1 | 18AUG7- | KNOB |

6E3

AIR SEAT SUSPENSION KITS

(665301-)
HP6194 -UN-03OCT95



HP6194

6E4

OPERATOR'S STATION

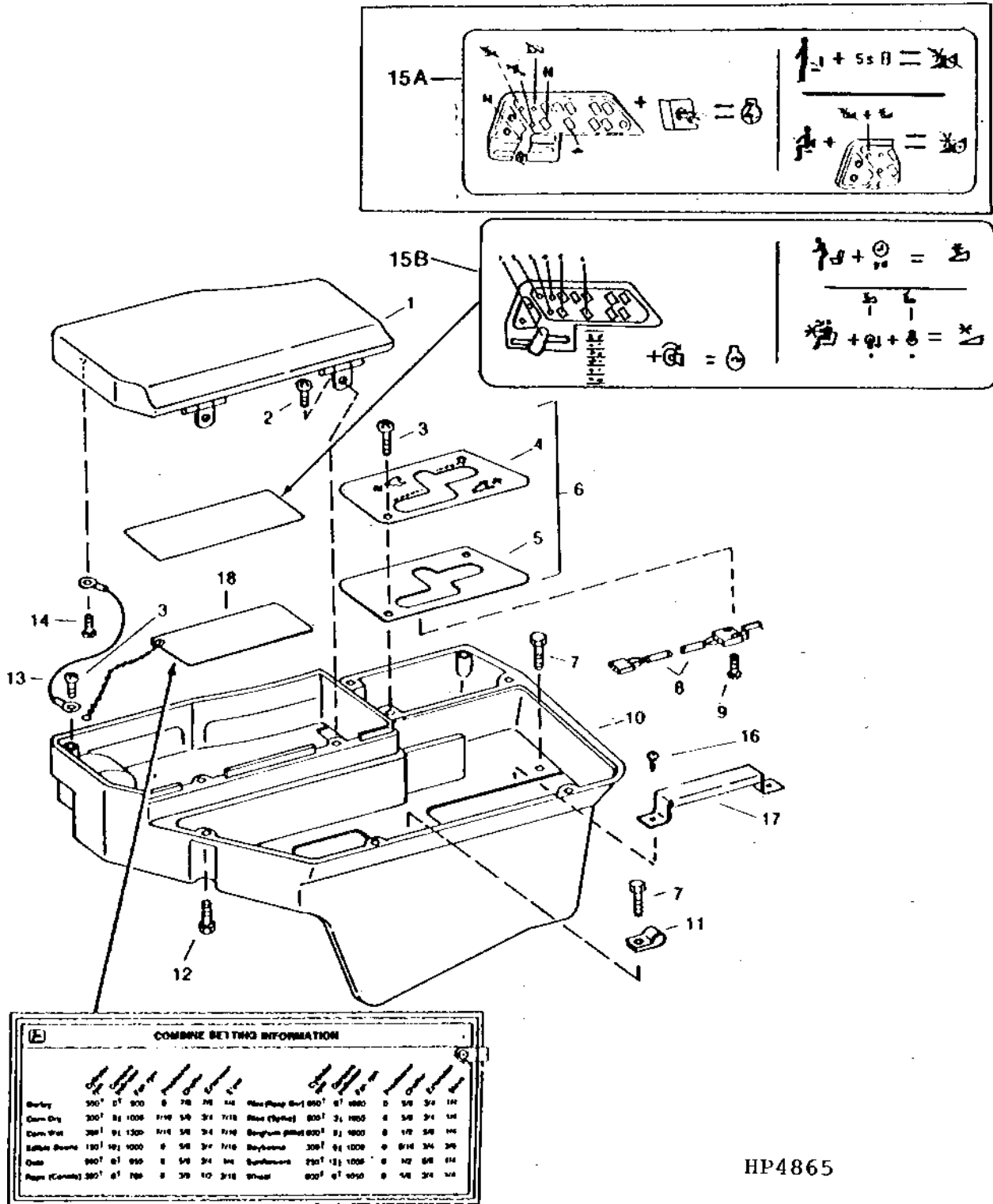
AIR SEAT SUSPENSION KITS - CONTINUED
(665301-)

| KEY | PART NO. | PART NAME | QTY | SERIAL NO. | REMARKS |
|-----|----------|--------------------------|-----|------------|---------|
| 1 | RE52555 | SEAT SUSPENSION BOOT KIT | 1 | | |
| 2 | RE63832 | SEAT BEARING ROLLER KIT | 1 | | |
| 3 | AH136936 | KIT | 1 | SCISSOR | |

6E5

OPERATOR'S STATION

ARMREST WITH GLOVE BOX (R.H.)
HP4865 -UN-01JAN94



HP4865

6E6

OPERATOR'S STATION

ARMREST WITH GLOVE BOX (R.H.) - CONTINUED

| KEY | PART NO. | PART NAME | QTY | SERIAL NO. | REMARKS |
|-----|----------|----------------------|-----|------------|---|
| 1 | AH117067 | COVER | 1 | | |
| 2 | H123995 | SCREW | 2 | | |
| 3 | H111706 | SCREW | 2 | | |
| 4 | H145082 | PANEL | 1 | | |
| | H130068 | PANEL | 1 | -642112 | (SUB AH139119) |
| 5 | | GUIDE | 1 | | |
| 6 | AH139119 | DRAWER SLIDE | 1 | | (SUB FOR AH125785) |
| 7 | 37M7091 | SCREW | 4 | | M6 X 25 |
| 8 | AH163708 | NEUTRAL START SWITCH | 1 | | (SUB FOR AH127390) ENGINE SAFETY START SWITCH |
| 9 | 37M7066 | SCREW | 2 | | |
| 10 | H168425 | CONSOLE | 1 | | (SUB FOR H151165, H144244 OR H126470) |
| 11 | H77358 | CLIP | 1 | | |
| 12 | H111705 | SCREW | 4 | | |
| 13 | AH124857 | WIRING LEAD | 1 | | |
| 14 | 37M7100 | SCREW | 1 | -640300 | |
| | 37M7215 | SCREW | 1 | 640301- | |
| 15A | H137402 | LABEL | 1 | -641944 | (SUB H146315) ENGINE START AND SEAT SAFETY SWITCH DECAL |
| 15B | H146315 | LABEL | 1 | | |
| 16 | H111364 | SCREW | 2 | -641464 | M3.5 X 12 FOR MACHINES PRIOR TO 1991 |
| 17 | H140396 | GUARD | 1 | -641464 | FOR MACHINES PRIOR TO 1991 |
| 18 | AH144100 | LABEL | 1 | | (SUB FOR AH131108) |

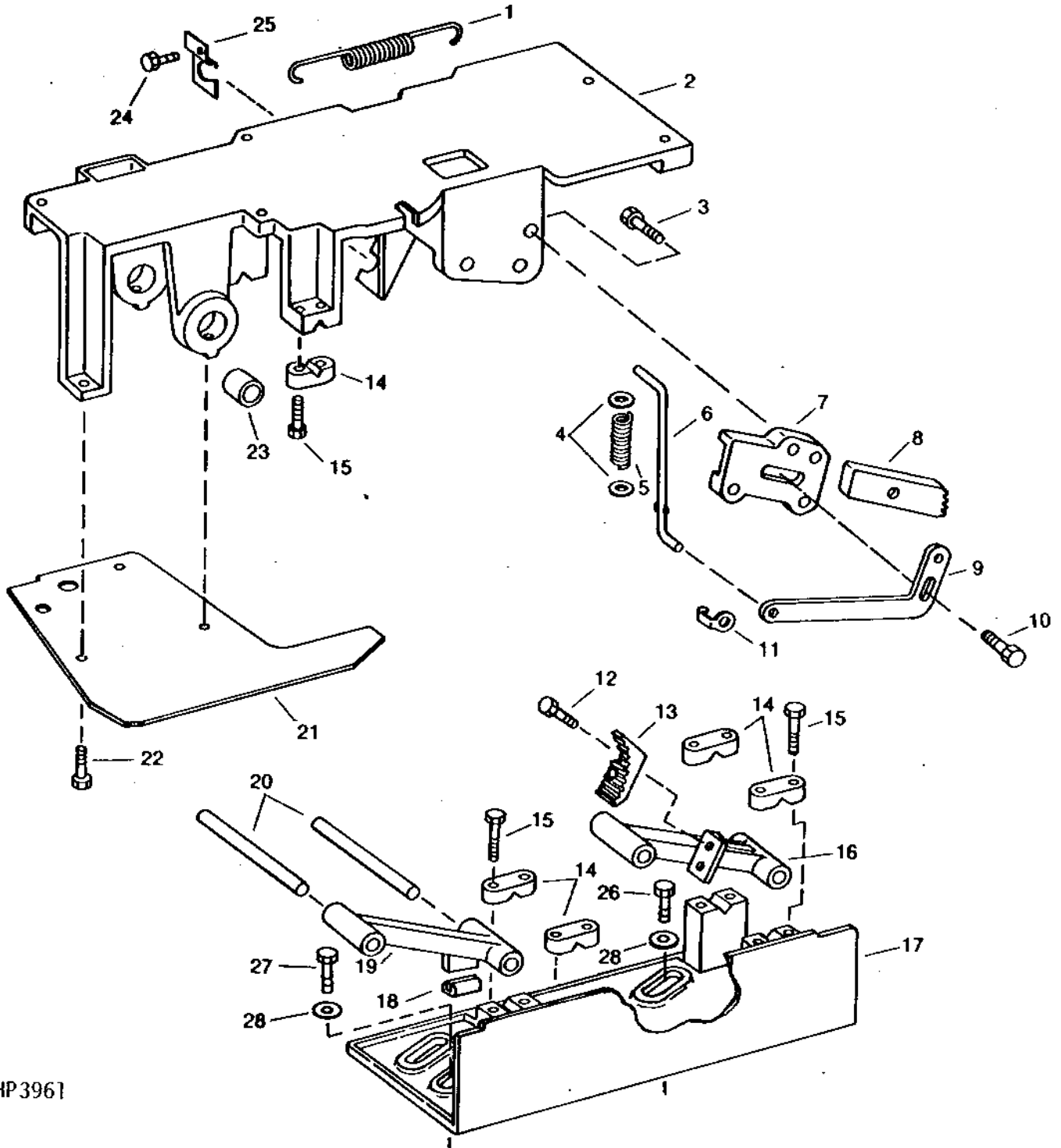
6E7

OPERATOR'S STATION

ARMREST ADJUSTING MECHANISM (R.H.)

(-640300)

HP3961 -UN-01JAN94



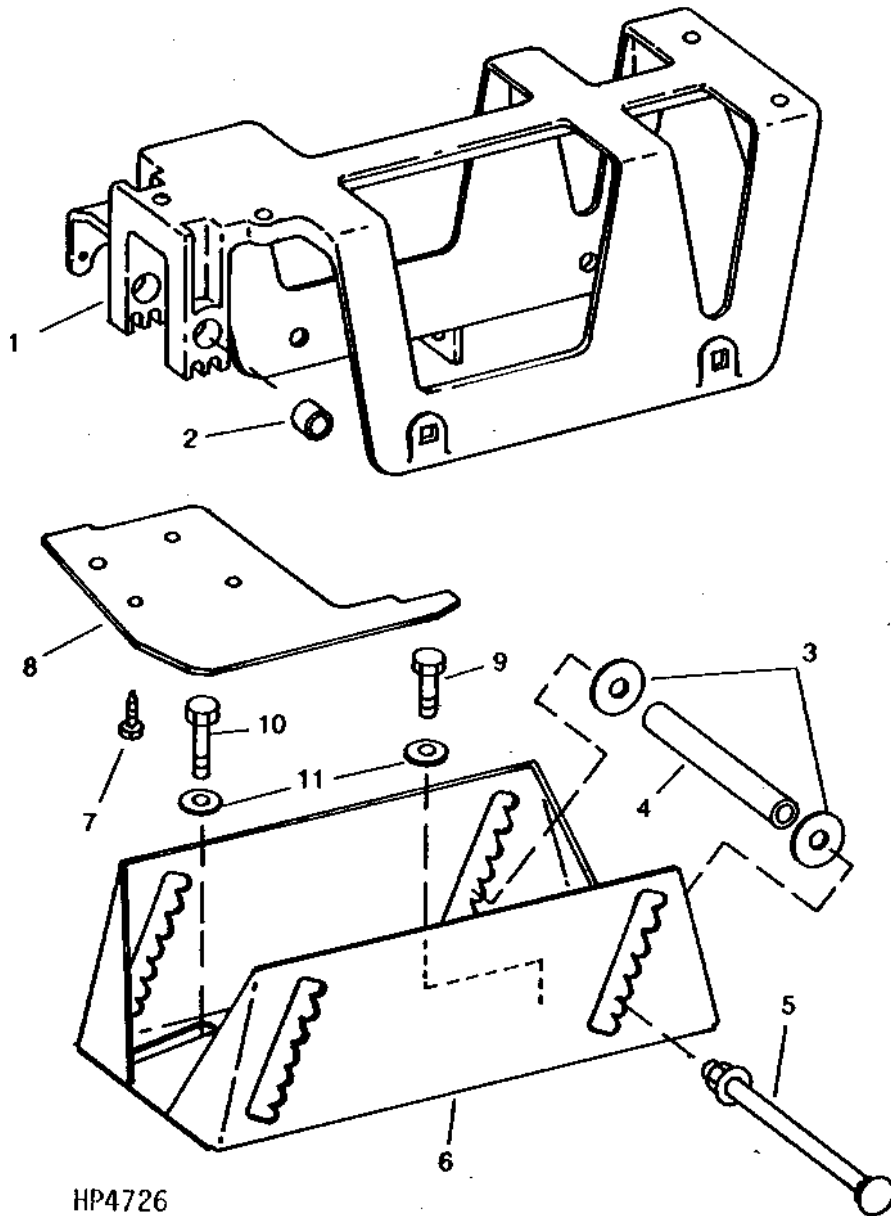
HP 3961

ARMREST ADJUSTING MECHANISM (R.H.) - CONTINUED
 (-640300)

| KEY | PART NO. | PART NAME | QTY | SERIAL NO. | REMARKS |
|-----|----------|-----------|-----|------------|---|
| 1 | H119685 | SPRING | 1 | | |
| 2 | H141393 | SUPPORT | 1 | | (SUB FOR H126172) |
| 3 | 19M7866 | SCREW | 3 | | M8 X 20 |
| 4 | 24H1287 | WASHER | 2 | | 7.137 X 15.875 X 1.651 MM (9/32" X 5/8" X 0.065") |
| 5 | N12405 | SPRING | 1 | | |
| 6 | H126171 | ROD | 1 | | |
| 7 | H110310 | HOUSING | 1 | | |
| 8 | H141327 | PAWL | 1 | | (SUB FOR H109539) |
| 9 | H126173 | ARM | 1 | | |
| 10 | H131424 | BOLT | 2 | | M6 X 20.750 |
| 11 | R26501 | CLIP | 1 | | |
| 12 | H133205 | SCREW | 2 | | M8 X 25 |
| 13 | H110812 | GEAR | 1 | | |
| 14 | H126175 | RETAINER | 8 | | |
| 15 | 37M7104 | SCREW | 16 | | M6 X 30, (SUB FOR 37M7159) |
| 16 | H119682 | ARM | 1 | | |
| 17 | H126176 | SUPPORT | 1 | | |
| 18 | H107566 | ISOLATOR | 2 | | |
| 19 | H119684 | ARM | 1 | | |
| 20 | H126174 | PIN | 4 | -646204 | 12 X 113 MM (0.472" X 4.449") MAKE FROM H130057, CUT TO 113MM IN LENGTH |
| 21 | H143439 | COVER | 1 | | (SUB FOR H119687) |
| 22 | 37M7165 | SCREW | 3 | | (SUB FOR 37M7155) |
| 23 | H96455 | BUSHING | 2 | | |
| 24 | 37M7089 | SCREW | 1 | | M6 X 12 |
| 25 | H141386 | RETAINER | 1 | | |
| 26 | 19M8331 | CAP SCREW | 2 | | M8 X 20 |
| 27 | 19M8330 | SCREW | 1 | | M8 X 35 |
| 28 | H133100 | WASHER | 3 | | 8.400 X 25 X 2 MM (0.331" X 0.984" X 0.079") |

ARMREST ADJUSTING MECHANISM (R.H.)

(640301 -)
HP4726 -UN-01JAN94



6E10

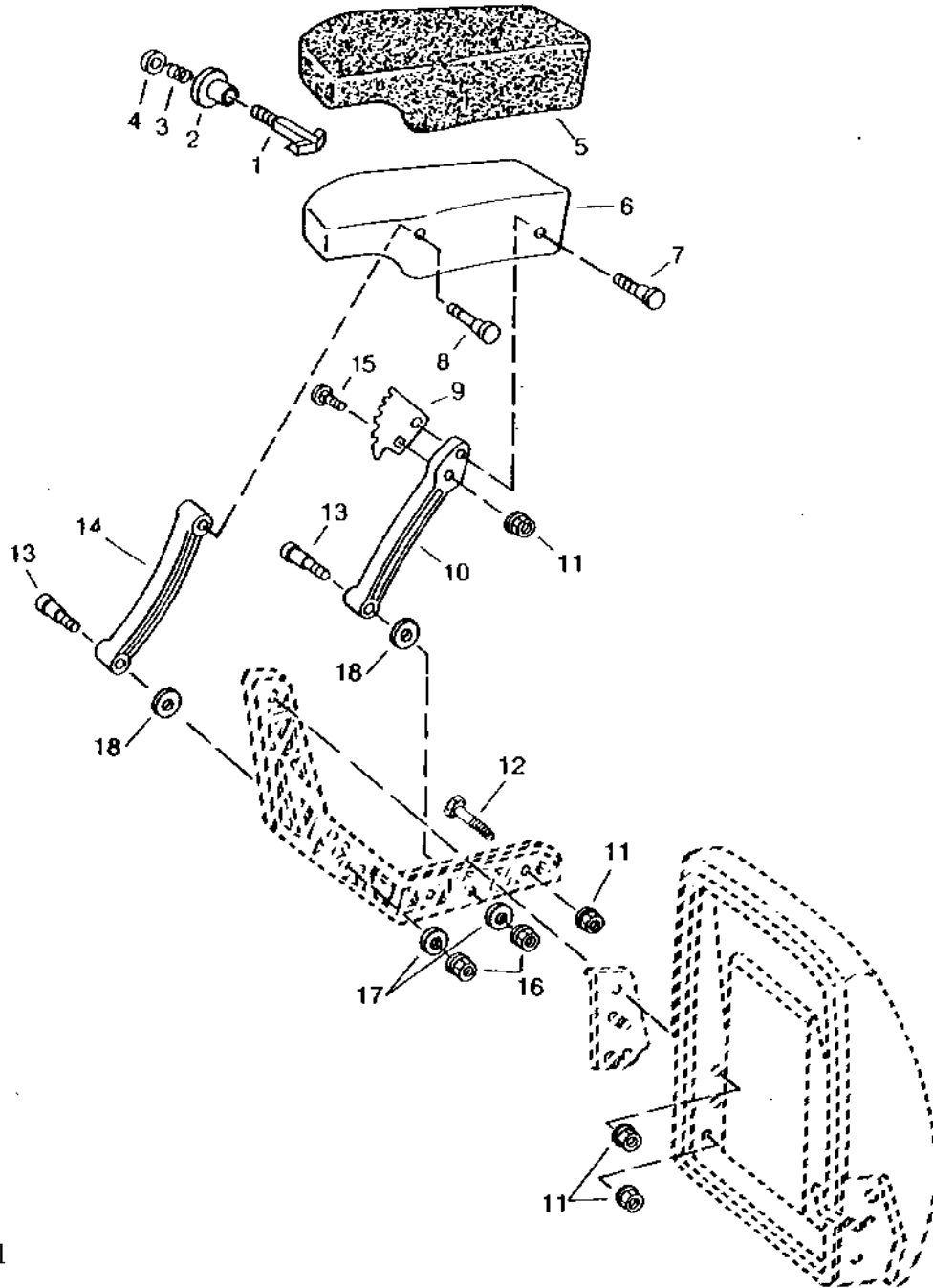
OPERATOR'S STATION

ARMREST ADJUSTING MECHANISM (R.H.) -CONTINUED
(640301 -)

| KEY | PART NO. | PART NAME | QTY | SERIAL NO. | REMARKS |
|-----|----------|------------|-----|------------|---|
| 1 | H137854 | SUPPORT | 1 | | |
| 2 | H96455 | BUSHING | 2 | | |
| 3 | H137858 | WASHER | 4 | | 11 X 34 X 3 MM (0.433" X 1.339" X 0.118") |
| 4 | H137856 | SPACER | 2 | | 12.522 X 17.145 X 129 MM (0.493" X 0.675" X 5.118") |
| 5 | H137857 | BOLT | 2 | | M10 X 170 |
| | H137859 | FLANGE NUT | 2 | | M10 |
| 6 | H137855 | SUPPORT | 1 | | |
| 7 | 37M7165 | SCREW | 3 | | (SUB FOR 37M7155) |
| 8 | H143439 | COVER | 1 | | |
| 9 | 19M8331 | CAP SCREW | 2 | | M8 X 20 |
| 10 | 19M8330 | SCREW | 1 | | M8 X 35 |
| 11 | 24M7207 | WASHER | 3 | | 8.400 X 24 X 2 MM (0.331" X 0.945" X 0.079") |

6E11

ARMREST (L.H.)
HP3131 -UN-01JAN94



HP3131

6E12

OPERATOR'S STATION

ARMREST (L.H.) - CONTINUED

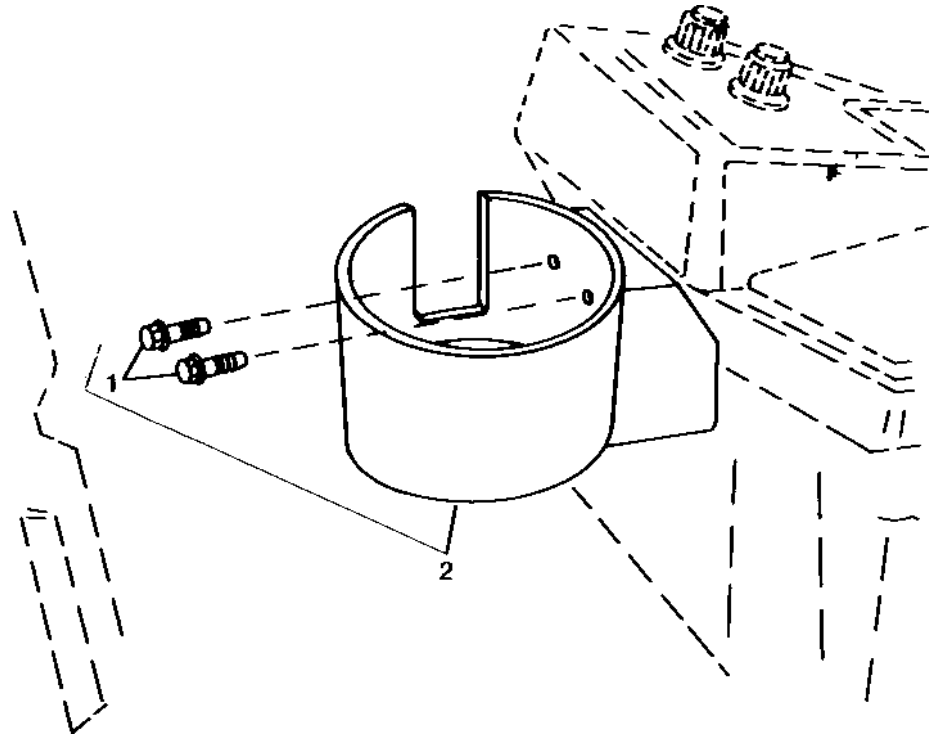
| KEY | PART NO. | PART NAME | QTY | SERIAL NO. | REMARKS |
|-----|----------|-----------|-----|------------|---|
| 1 | R59070 | SHAFT KEY | 1 | | |
| 2 | R59028 | BUSHING | 1 | | |
| 3 | A4741R | SPRING | 1 | | |
| 4 | R59029 | KNOB | 1 | | |
| 5 | H120099 | CUSHION | 1 | | |
| 6 | R58816 | ARMREST | 1 | 635451- | NOW MADE OF PLASTIC |
| 7 | R59021 | PIN | 1 | | |
| 8 | R59023 | PIN | 1 | | |
| 9 | R61862 | PLATE | 1 | | |
| 10 | R59020 | LINK | 1 | | |
| 11 | N10215 | LOCK NUT | 1 | | 9.525 MM (3/8") |
| 12 | R59015 | GANG BOLT | 1 | | 9.525 X 31.750 MM (3/8" X 1-1/4") |
| 13 | R59022 | SCREW | 2 | | |
| 14 | R59013 | LINK | 1 | | |
| 15 | 03H1765 | BOLT | 1 | | 3/8" X 3/4" |
| 16 | H99923 | LOCK NUT | 2 | | 9.525 MM (3/8") |
| 17 | R53665 | WASHER | 2 | | 10.312 X 17.450 X 1.524 MM (13/32" X 11/16" X 0.060") |
| 18 | R27441 | WASHER | 2 | | 9.931 X 28.575 X 1.524 MM (25/64" X 1-1/8" X 0.060") |

6E13

OPERATOR'S STATION

CUP HOLDER

(660301-)
HP5912 -UN-17DEC94



HP5912

| KEY | PART NO. | PART NAME | QTY | SERIAL NO. | REMARKS |
|-----|----------|-----------|-----|-------------------|---------|
| 1 | H151166 | SCREW | 2 | M6 X 16 | |
| 2 | AH145616 | HOLDER | 1 | (SUB FOR H151062) | |

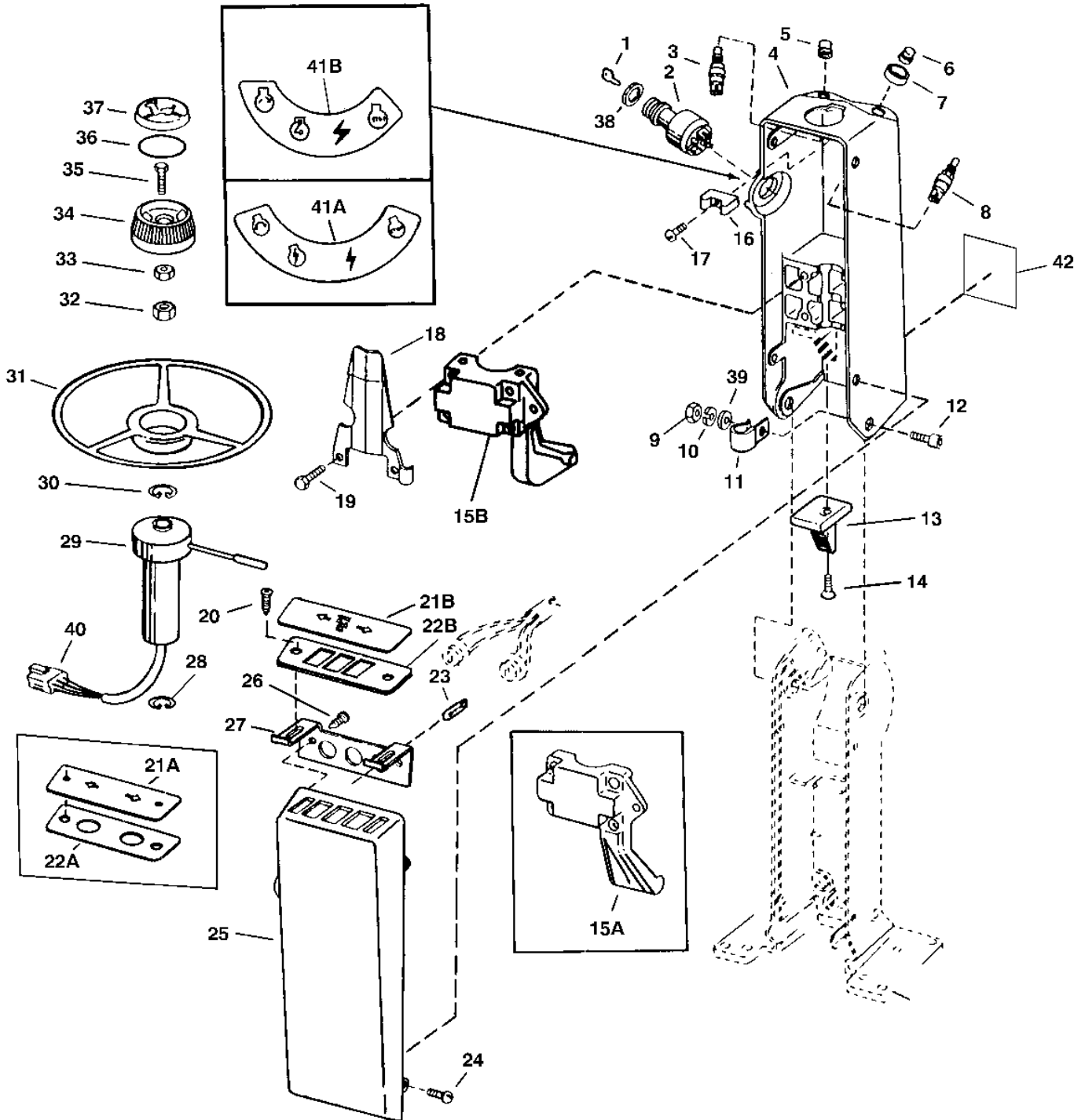
MEMORANDA

6E14

OPERATOR'S STATION

STEERING COLUMN (UPPER)

HP6547 -UN-23AUG96



HP6547

6E15

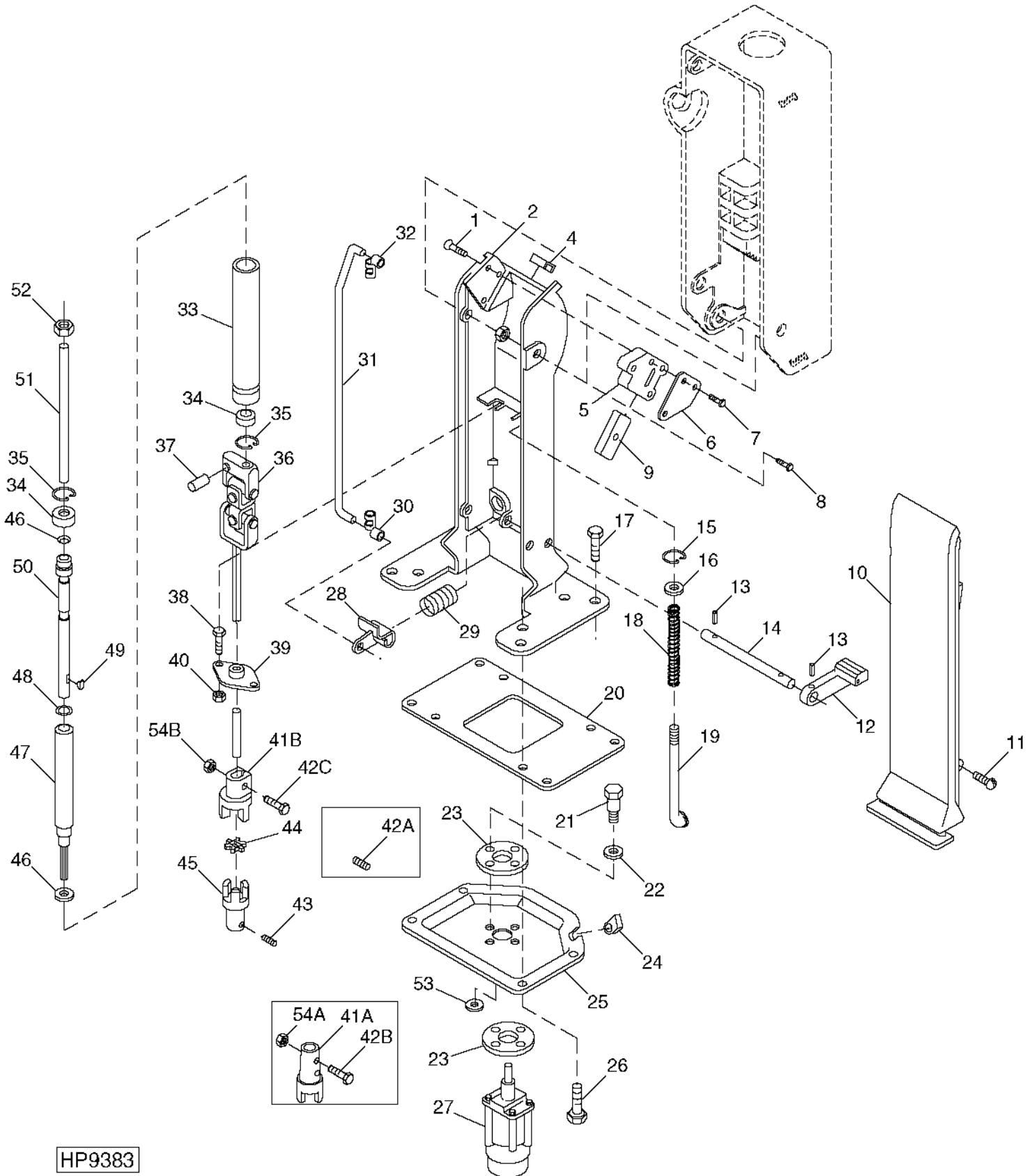
OPERATOR'S STATION

STEERING COLUMN (UPPER) - CONTINUED

| KEY | PART NO. | PART NAME | QTY | SERIAL NO. | REMARKS |
|-----|----------|------------------------|-----|------------|---|
| 1 | AR51481 | KEY | 1 | | |
| 2 | AH108816 | SWITCH | 1 | | KEY START SWITCH |
| 3 | R39554 | SWITCH | 1 | | HORN BUTTON |
| 4 | H113858 | HOUSING | 1 | | |
| 5 | T55501 | CAP | 1 | | |
| 6 | T55585 | CAP | 1 | | |
| 7 | H132895 | GUARD | 1 | | |
| 8 | R39554 | SWITCH | 1 | | EITHER AID START BUTTON |
| 9 | 14M7274 | NUT | 2 | | M10 |
| 10 | 12M7066 | LOCK WASHER | 2 | | 10.200 MM (0.402") |
| 11 | AH96317 | CLIP | 1 | | (SUB FOR AH89486) |
| 12 | H107687 | SCREW | 2 | | M10 X 23 |
| 13 | H110812 | GEAR | 1 | | |
| 14 | H133205 | SCREW | 2 | | M8 X 25 |
| 15A | H113279 | CLAMP | 1 | -660300 | |
| 15B | H150383 | CLAMP | 1 | 660301- | |
| 16 | H113863 | GUIDE | 1 | | |
| 17 | 37M7071 | SCREW | 1 | | |
| 18 | AH129255 | GUARD | 1 | | |
| 19 | 19M7800 | SCREW | 4 | | M8 X 50 |
| 20 | H132899 | SCREW | 1 | | |
| 21A | H134602 | PANEL | 1 | -645784 | (SUB H146392) |
| | H138334 | PANEL | 1 | -645784 | (EXPORT ONLY, FRANCE) |
| 21B | H146392 | PANEL | 1 | | (EXPORT ONLY, FRANCE) |
| 22A | H134635 | PANEL | 1 | -645784 | (SUB H146391) |
| 22B | H146391 | PANEL | 1 | | |
| 23 | AA27536 | BULB | 1 | | |
| | AA27536 | BULB | 3 | | (EXPORT ONLY, FRANCE) |
| 24 | H130192 | SCREW | 4 | | M6 X 12 |
| 25 | H123873 | COVER | 1 | | |
| 26 | 37H6 | SCREW | 2 | | |
| 27 | H132897 | RETAINER | 1 | | |
| 28 | R26192 | SNAP RING | 1 | | |
| 29 | AH121340 | TURN SIGNAL CONTROLLER | 1 | | (INCLUDES T23529) TURN SIGNAL |
| | T23529 | SNAP RING | 1 | | (USE WITH AH121340) |
| 30 | R26192 | SNAP RING | 1 | | |
| 31 | T22875 | STEERING WHEEL | 1 | | |
| 32 | 14M7257 | NUT | 1 | | M20, (SUB FOR 14M7160) |
| 33 | 14M7273 | NUT | 1 | | M8 |
| 34 | H108822 | KNOB | 1 | | |
| 35 | 19M7922 | CAP SCREW | 1 | | M8 X 40, (SUB FOR 19M3135) |
| 36 | B3690R | O-RING | 1 | | 47.219 X 3.531 MM (1-55/64" X 0.139") |
| 37 | R47998 | CAP | 1 | | |
| 38 | R44342 | NUT | 1 | | 25.400 MM (1") |
| 39 | 24M7040 | WASHER | 1 | | 11 X 20 X 2 MM (0.433" X 0.787" X 0.079") |
| 40 | AH116902 | CONNECTOR | 1 | | |
| 41A | H139427 | LABEL | 1 | -641944 | FOR IGNITION SWITCH, (SUB H146042) |
| 41B | H146042 | LABEL | 1 | | FOR IGNITION SWITCH |
| 42 | H156390 | LABEL | 1 | 6MAY96- | |

6E16

STEERING COLUMN (LOWER) HP9383 -UN-07DEC99



HP9383

6E17

OPERATOR'S STATION

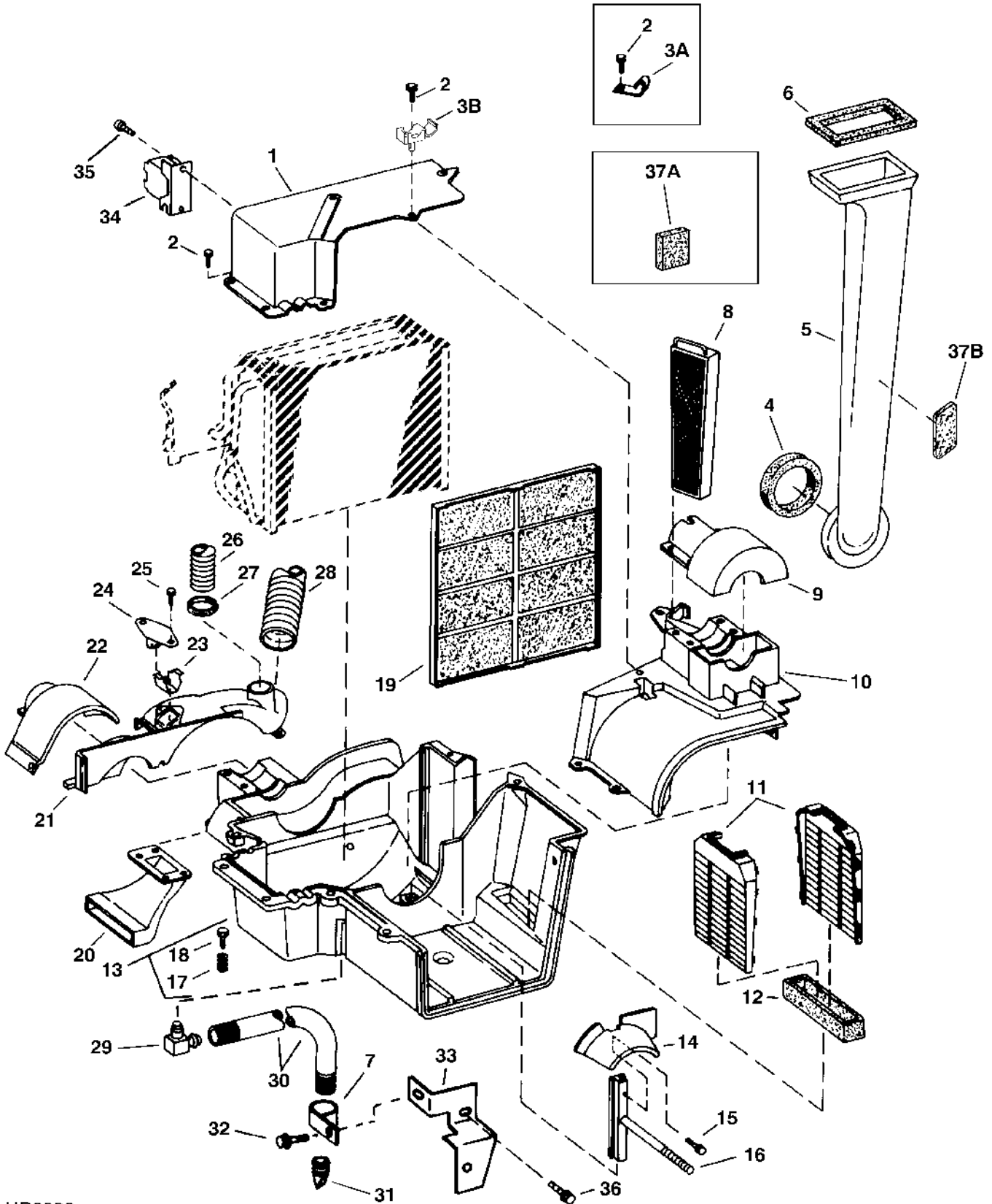
STEERING COLUMN (LOWER) - CONTINUED

| KEY | PART NO. | PART NAME | QTY | SERIAL NO. | REMARKS |
|-----|----------|-----------------------------|-----|---------------|---|
| 1 | H133205 | SCREW | 3 | | M8 X 25 |
| 2 | H123877 | HOUSING | 1 | | |
| 3 | 14M7274 | NUT | 2 | | M10 |
| 4 | H107566 | ISOLATOR | 1 | | |
| 5 | H110310 | HOUSING | 1 | | |
| 6 | H110229 | CRANK | 1 | | |
| 7 | H131424 | BOLT | 2 | | M6 X 20.750 |
| 8 | H107687 | SCREW | 2 | | M10 X 23 |
| 9 | H109539 | PAWL | 1 | -645662 | (SUB H141327) |
| | H141327 | PAWL | 1 | | |
| 10 | H123872 | COVER | 1 | -646143 | (SUB H147192) |
| | H147192 | COVER | 1 | | |
| 11 | H130192 | SCREW | 4 | | M6 X 12 |
| 12 | H152174 | PEDAL | 1 | | (SUB FOR H107581) |
| 13 | 34M7102 | SPRING PIN | 2 | | 5 X 26 MM |
| 14 | H113864 | PIN | 1 | | |
| 15 | H133106 | SNAP RING | 1 | | |
| 16 | 24M7055 | WASHER | 1 | | 8.400 X 16 X 1.600 MM |
| 17 | 19M7800 | SCREW | 4 | | M8 X 50 |
| 18 | H113404 | SPRING | 1 | | |
| 19 | H113402 | ROD | 1 | | |
| 20 | H123874 | SEALANT | 1 | | |
| 21 | H110700 | BOLT | 4 | | M8 X 34.750 |
| 22 | 24M7028 | WASHER | 4 | | 10.500 X 20 X 2 MM |
| 23 | H134353 | ISOLATOR | 2 | | |
| 24 | H108725 | GROMMET | 1 | | |
| 25 | H123875 | SUPPORT | 1 | | |
| 26 | 19M7867 | SCREW | 4 | | M8 X 25 |
| 27 | AH130126 | PUMP | 1 | -646970 | (SUB AH142441) STEERING PUMP |
| | AH142441 | PUMP | 1 | | |
| 28 | H107582 | ARM | 1 | | |
| 29 | H107584 | SPRING | 1 | | |
| 30 | R26501 | CLIP | 1 | | |
| 31 | H131186 | ROD | 1 | | |
| 32 | R26524 | CLIP | 1 | | |
| 33 | H107567 | HOUSING | 1 | | |
| 34 | AH97920 | BALL BEARING | 2 | | |
| 35 | H80753 | SNAP RING | 2 | | |
| 36 | AH130435 | UNIVERSAL JOINT, WITH SHAFT | 1 | -645662 | (SUB AH139065, H144970, 14M7166 AND 19M7295) |
| | AH139065 | UNIVERSAL JOINT, WITH SHAFT | 1 | | |
| 37 | 34M7124 | SPRING PIN | 1 | | 8 X 30 MM |
| 38 | 19M7866 | SCREW | 2 | | M8 X 20 |
| 39 | AH129236 | BEARING | 1 | | |
| 40 | 14M7298 | FLANGE NUT | 2 | -645662 | M8 |
| | 14M7166 | LOCK NUT | 2 | 645663- | M8 |
| 41A | H134622 | COUPLING | 1 | -645662 | |
| 41B | H144970 | COUPLING | 1 | 645663-28APR7 | |
| | H162056 | COUPLING | 1 | 28APR7-14JUL7 | |
| | H162569 | COUPLING | 1 | 14JUL7- | |
| 42A | 22M7073 | SET SCREW | 2 | -645662 | M8 X 12 |
| 42B | 19M8359 | CAP SCREW | 1 | 645663- | M8 X 45 |
| 42C | H162055 | SCREW | 1 | 28APR7-27OCT7 | |
| | H164921 | SCREW | 1 | 27OCT7- | |
| 43 | 22M7072 | SET SCREW | 2 | | M6 X 10 |
| 44 | H134624 | ISOLATOR | 1 | | |
| 45 | H134623 | SPLINED COUPLING | 1 | | |
| 46 | H99294 | WASHER | 2 | | 22.606 X 27.813 X 0.813 MM (0.890" X 1.095" X 0.032") |
| 47 | AH130429 | STEERING SHAFT | 1 | | |
| 48 | H36256 | O-RING | 1 | | 15.469 X 3.531 MM (39/64" X 0.139") |
| 49 | H137667 | SHAFT KEY | 1 | | |
| 50 | H107570 | STEERING SHAFT | 1 | | |
| 51 | H107586 | PIN | 1 | | |
| 52 | 14M7160 | NUT | 1 | -645662 | M20, (SUB 14M7257) |
| | 14M7257 | NUT | 1 | | M20 |
| 53 | H141946 | WASHER | 4 | | 8.330 X 15.880 X 1.520 MM (0.328" X 0.625" X 0.060") |
| 54A | 14M7166 | LOCK NUT | 1 | 645663- | M8 |
| 54B | 14M7396 | LOCK NUT | 1 | 28APR7-27OCT7 | M8 |
| | H137328 | NUT | 1 | 27OCT7-2MAR98 | |
| | 14M7396 | LOCK NUT | 1 | 2MAR98- | M8 |

6E18

OPERATOR'S STATION

AIR CONDITIONING AND HEATER HOUSING AND FILTERS
HP6683 -UN-21MAR97



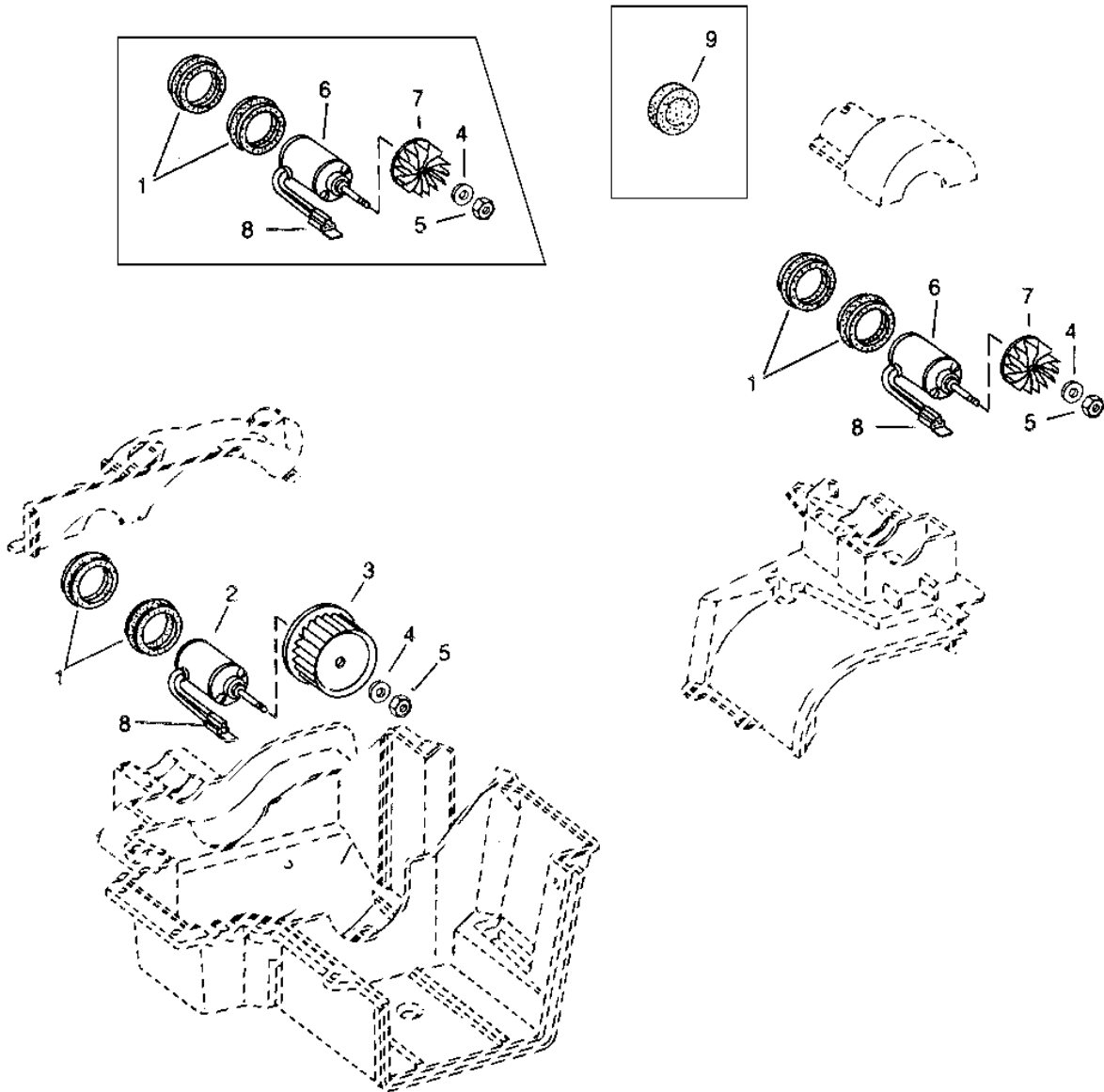
HP6683

AIR CONDITIONING AND HEATER HOUSING AND FILTERS - CONTINUED

| KEY | PART NO. | PART NAME | QTY | SERIAL NO. | REMARKS |
|-----|----------|-------------|-----|---------------|----------------------|
| 1 | H150100 | HOUSING | 1 | | (SUB FOR H127575) |
| 2 | 19M7862 | SCREW | AR | | M6 X 20 |
| 3A | AH96317 | CLIP | 1 | -12AU96 | (SUB FOR AH89486) |
| 3B | H158830 | CLIP | 1 | 12AU96- | |
| 4 | H119186 | SEAL | 4 | -640300 | (SUB H144546) |
| | H144546 | SEAL | 2 | 640301- | |
| | H163397 | SEAL | 1 | 29SE97- | |
| 5 | H130374 | AIR DUCT | 1 | | |
| | H157566 | AIR DUCT | 1 | 29SE97- | |
| 6 | | SEAL | 1 | | (CUT FROM H88773) |
| | H153438 | SEAL | 1 | 29SE97- | |
| 7 | R46414 | CLAMP | 2 | | |
| 8 | AH115836 | AIR FILTER | 1 | | RECIRCULATING FILTER |
| 9 | H115031 | COVER | 1 | | |
| 10 | AH120546 | HOUSING | 1 | | |
| 11 | H114142 | PRESCREENER | 2 | -640300 | |
| 12 | H118619 | SEAL | 1 | -640300 | |
| 13 | AH138601 | HOUSING | 1 | | (SUB FOR AH122444) |
| 14 | H127978 | DUST SHIELD | 1 | | |
| 15 | 37M7089 | SCREW | AR | | M6 X 12 |
| 16 | AH134884 | SUPPORT | 1 | | (SUB FOR AH112703) |
| 17 | H119362 | BUSHING | 5 | | |
| 18 | 19M7862 | SCREW | AR | | M6 X 20 |
| 19 | AH120547 | FILTER | 1 | | EVAPORATOR FILTER |
| 20 | H126589 | AIR DUCT | 1 | | |
| 21 | H158525 | HOUSING | 1 | | (SUB FOR H127574) |
| | H173793 | HOUSING | 1 | | |
| 22 | H126590 | COVER | 1 | | |
| 23 | H130091 | SHIELD | 1 | | |
| 24 | AH125505 | RESISTOR | 1 | | |
| 25 | H123998 | SCREW | AR | | |
| 26 | H118872 | LINE | 1 | | |
| 27 | AR21999 | HOSE CLAMP | AR | | (SUB RE41991) |
| 28 | H118871 | LINE | 1 | | |
| 29 | H146429 | FITTING | 1 | | (SUB FOR H124197) |
| 30 | H159636 | TUBE | 1 | | (SUB FOR H124198) |
| 31 | H150385 | CHECK VALVE | 1 | | (SUB FOR H135409) |
| 32 | 19M7866 | SCREW | 1 | | M8 X 20 |
| 33 | H137326 | SUPPORT | 1 | | |
| 34 | RE48284 | THERMOSTAT | 1 | 652143-652284 | |
| | AH144020 | THERMOSTAT | 1 | 652285- | |
| 35 | H111706 | SCREW | 2 | 652143-652284 | |
| | H123998 | SCREW | 2 | 652285- | |
| 36 | 19M7865 | SCREW | 2 | | M8 X 16 |
| | 37M7058 | SCREW | 2 | | M8 X 20 |
| 37A | H119187 | PAD | 1 | -671910 | |
| 37B | H159743 | FOAM PAD | 1 | 671911- | |
| .. | AH138601 | HOUSING | 1 | | (SUB FOR AH138522) |

6E20

PRESSURIZER FAN AND AIR CONDITIONING / HEATER FAN
HP6515 -UN-15JUL96



HP6515

6E21

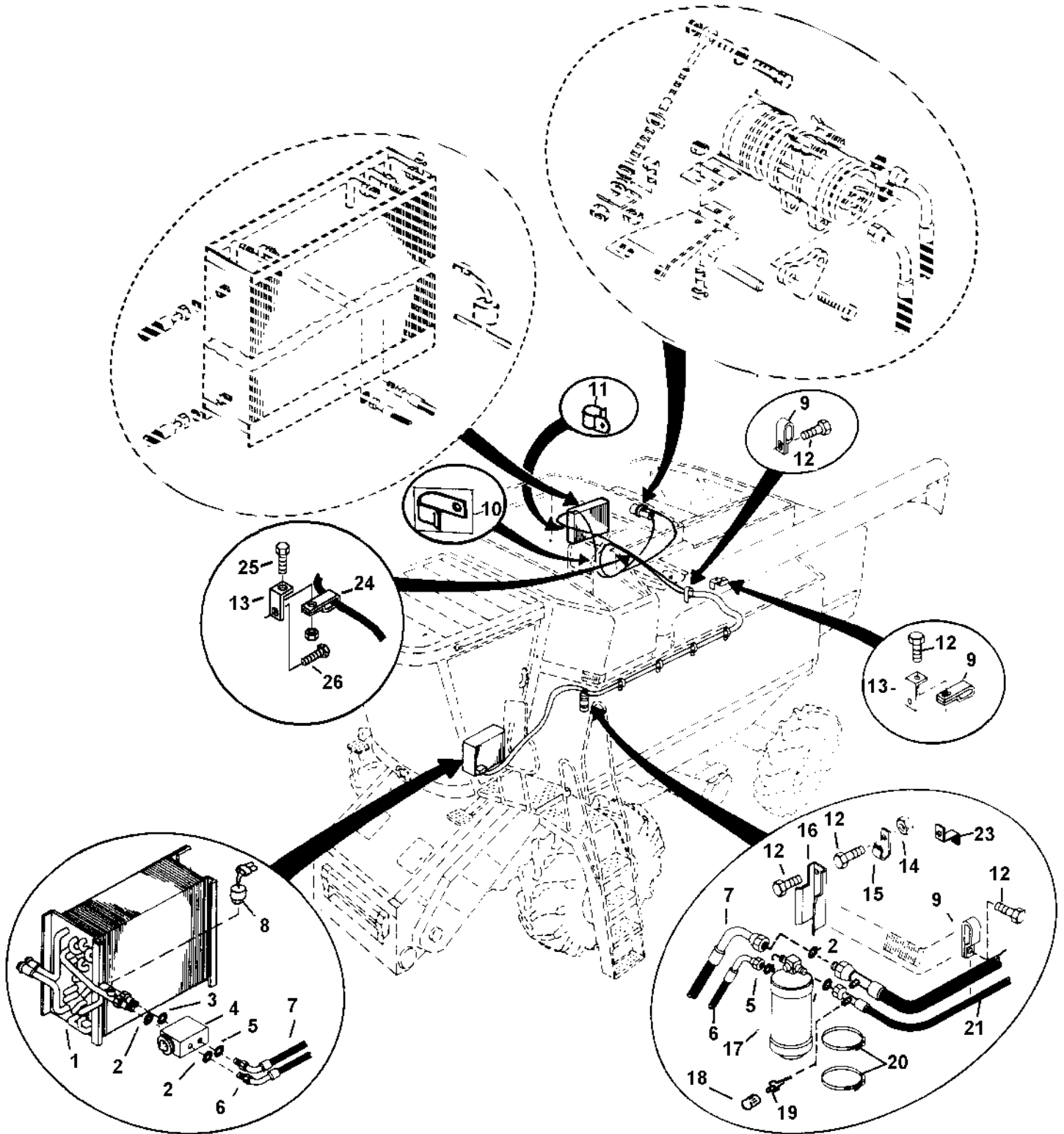
OPERATOR'S STATION

PRESSURIZER FAN AND AIR CONDITIONING / HEATER FAN - CONTINUED

| KEY | PART NO. | PART NAME | QTY | SERIAL NO. | REMARKS |
|-----|----------|------------|-----|------------|---|
| 1 | H115521 | ISOLATOR | 1 | | |
| | H115521 | ISOLATOR | 2 | 640301- | |
| 2 | AH128926 | MOTOR | 1 | | AC/HEATER |
| 3 | H114046 | BLOWER FAN | 1 | | |
| 4 | 24M7117 | WASHER | AR | | 4.300 X 9 X 0.800 MM |
| 5 | 14M7264 | LOCK NUT | AR | | M4 |
| 6 | AH128925 | MOTOR | 1 | -640300 | PRESSUREIZER |
| | AH128925 | MOTOR | 1 | 652143- | |
| 7 | H124185 | FAN | 1 | -640300 | |
| | H124185 | FAN | 1 | 652143- | |
| 8 | T28586 | CONNECTOR | 1 | | |
| 9 | H119186 | SEAL | 1 | -640300 | (SUB H144546) |
| | H144546 | SEAL | 1 | -652142 | USE ONLY CENTER PORTION, NO LONGER REQUIRED |

6E22

AIR CONDITIONING SYSTEM
HP7317 -UN-22DEC97



HP7317

AIR CONDITIONING SYSTEM - CONTINUED

| KEY | PART NO. | PART NAME | QTY | SERIAL NO. | REMARKS |
|-----|----------|--------------------|-----|---------------|---------------------------------------|
| 1 | AH132264 | EVAPORATOR | 1 | | (SUB FOR AH130957) |
| 2 | R33259 | O-RING | 1 | | 13.995 X 1.778 MM (0.551" X 0.070") |
| 3 | P51212 | O-RING | 1 | -650300 | 10.820 X 1.778 MM (0.426" X 0.070") |
| | R113050 | RING | 1 | 650301- | 10.820 X 1.778 MM (0.426" X 0.070") |
| 4 | AH122867 | VALVE | 1 | -650300 | (SUB AH137702) |
| | AH137702 | VALVE | 1 | | |
| 5 | R10093 | O-RING | 1 | | 7.645 X 1.778 MM (0.301" X 0.070") |
| 6 | AH127684 | HOSE | 1 | | |
| 7 | AH127685 | HOSE | 1 | | 7/8" X 912 MM (36") X 7/8" |
| 8 | AH144084 | SWITCH | 1 | | (SUB FOR AH116110) |
| 9 | AH77869 | CLIP | 2 | | |
| 10 | AH117301 | CLAMP | 1 | -640300 | FOR TWO HOSES - USE EXISTING HARDWARE |
| 11 | AH96317 | CLIP | 1 | | (SUB FOR AH89486) |
| 12 | 19M7867 | SCREW | 2 | -670300 | M8 X 25 |
| | 19M7913 | SCREW | 2 | 670301- | M8 X 90 |
| 13 | H132662 | BRACKET | 1 | -673569 | |
| 14 | 14M7298 | FLANGE NUT | 1 | -670300 | M8 |
| 15 | AH78125 | CLIP | 1 | -670300 | |
| | AH77724 | CLIP | 1 | 670301- | |
| 16 | H136541 | HOSE SUPPORT | 1 | | |
| 17 | AT162848 | RECEIVER-DRYER | 1 | | (SUB FOR AT63170 OR AT125596) |
| 18 | R60172 | NUT | 1 | | |
| 19 | R60170 | VALVE | 1 | | |
| 20 | AR21842 | CLAMP | 1 | -662763 | (SUB TY22474) |
| | TY22474 | CLAMP | 1 | | |
| 21 | AH126036 | HOSE | 1 | -650300 | |
| | AH142103 | HOSE | 1 | 650301- | |
| 22 | AH126034 | HOSE | 1 | -650300 | |
| | AH142105 | REFRIGERANT HOSE | 1 | 650301-29SEP7 | |
| 23 | H132538 | HOSE SUPPORT | 1 | | |
| 24 | H143757 | HOSE CLAMP | 1 | 666173-673569 | |
| 25 | N14822 | SELF-LOCKING SCREW | 1 | 666173-673569 | |
| | 14M7298 | FLANGE NUT | 1 | 666173-673569 | M8 |
| 26 | 19M7868 | SCREW | 1 | 666173-673569 | M8 X 30 |

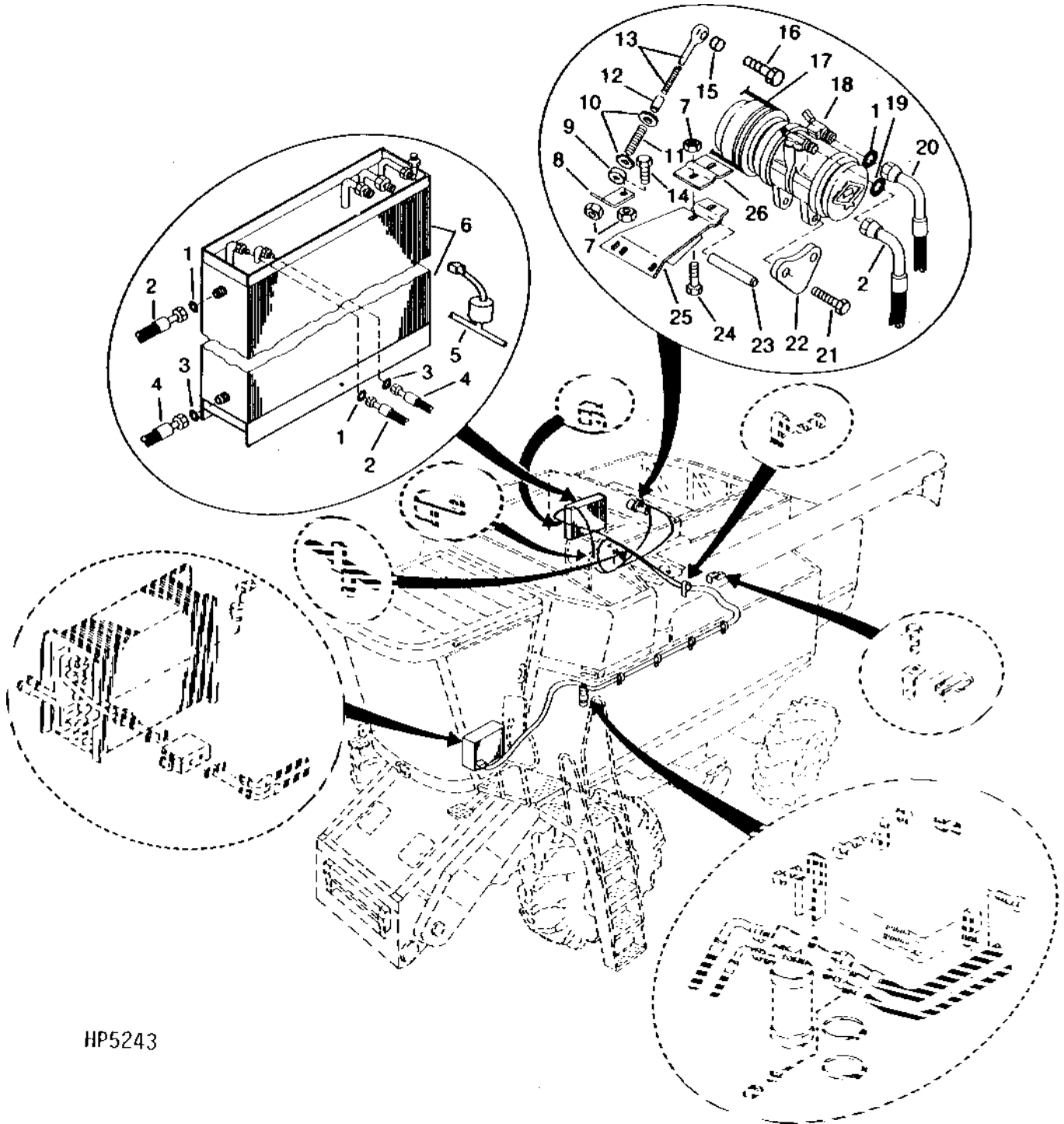
6E24

OPERATOR'S STATION

AIR CONDITIONING SYSTEM (FOR R-12 REFRIGERANT)

(-650300)

HP5243 -UN-01JAN94



HP5243

6E25

OPERATOR'S STATION

AIR CONDITIONING SYSTEM (FOR R-12 REFRIGERANT) - CONTINUED

(-650300)

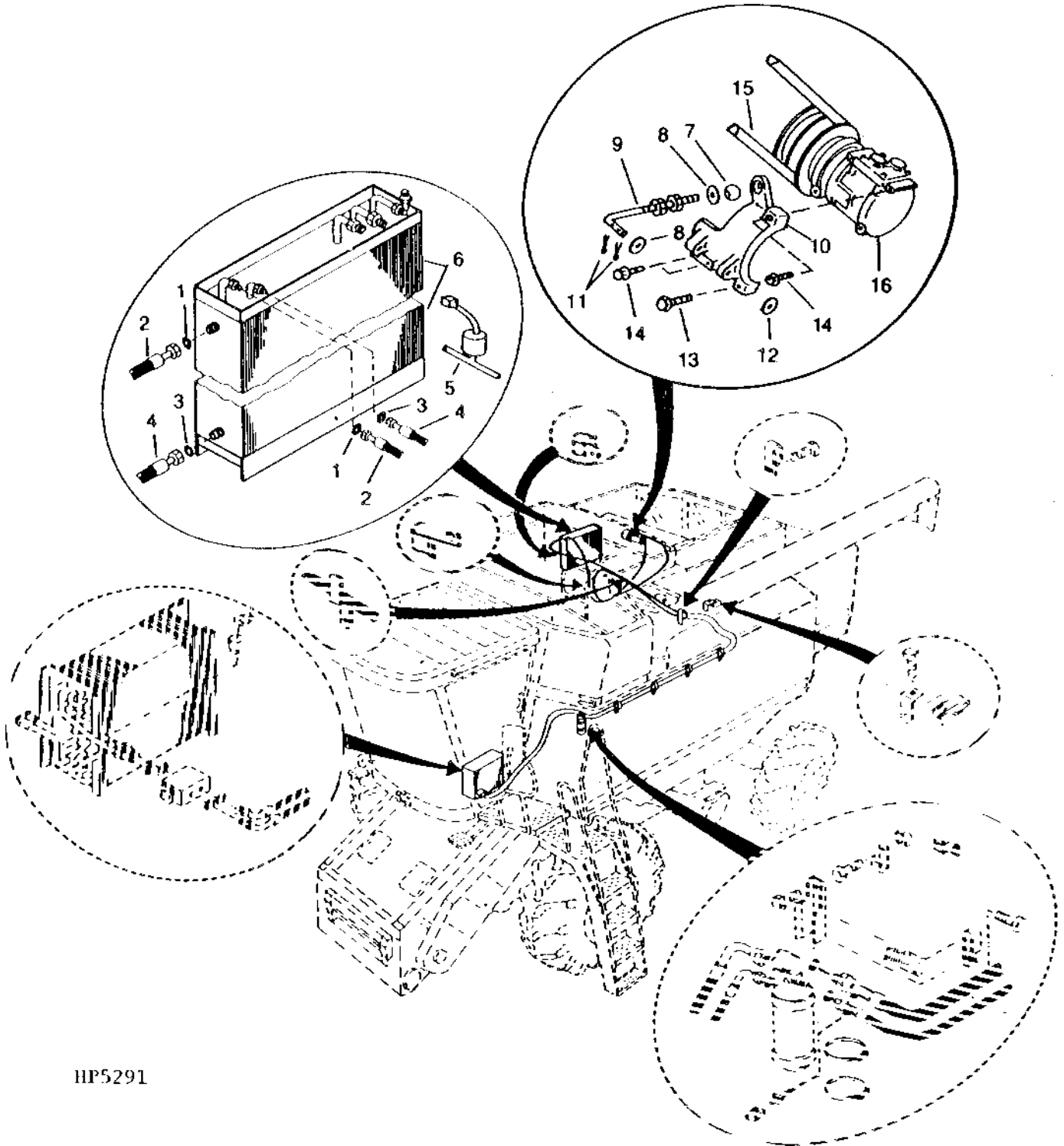
| KEY | PART NO. | PART NAME | QTY | SERIAL NO. | REMARKS |
|-----|----------|----------------------|-----|---------------|--|
| 1 | P51212 | O-RING | 1 | | |
| 2 | AH126034 | HOSE | 1 | | 7/8" X 5 250 MM (206-3/4") X 7/8", SUCTION, LONGER HOSE USED FOR ALL |
| 3 | R10093 | O-RING | 1 | | |
| 4 | AH126036 | HOSE | 1 | | |
| 5 | RE24307 | HIGH PRESSURE SWITCH | 1 | | HIGH PRESSURE |
| 6 | AH149618 | VAPOR CONDENSER | 1 | | (SUB FOR AH115321 OR AH140471) EVAPORATOR |
| | AH150219 | OIL COOLER | 1 | | (SUB FOR AH120836 OR AH136172) OIL COOLER AND CONDENSER TOGETHER, USED WITH 190 HP ENGINE |
| 7 | 14M7296 | FLANGE NUT | 2 | | M10 |
| 8 | H128194 | BRACKET | 1 | | PRESSURE |
| 9 | H134214 | GUIDE | 1 | -635315 | |
| | H77337 | WASHER | 1 | | NEW PART WORKS ALL THE WAY BACK FOR OLD |
| 10 | 24M7028 | WASHER | 2 | -635315 | 10.500 X 20 X 2 MM |
| | 24M7178 | WASHER | 2 | | 10.500 X 30 X 2.500 MM |
| 11 | H128906 | COMPRESSION SPRING | 1 | -635315 | |
| | N61703 | SPRING | 1 | | |
| 12 | 28H1527 | SPACER | 1 | -636011 | |
| | 28H1495 | SPACER | 1 | | |
| | 28H1527 | SPACER | 1 | -635315 | |
| | 28H1495 | SPACER | 1 | | |
| 13 | H118539 | EYEBOLT | 1 | | |
| 14 | 19M7786 | SCREW | 1 | | M10 X 30 |
| 15 | H118543 | BUSHING | 1 | | |
| 16 | 19M8118 | CAP SCREW | 1 | | M10 X 35 |
| 17 | H134437 | BELT | 1 | 630401-631200 | 12.700 X 1 470 MM (1/2" X 57.874") |
| | H81742 | BELT | 1 | 635301-647500 | 12.700 X 1 346.200 MM (1/2" X 53") |
| 18 | RE12513 | COMPRESSOR | 1 | -650300 | (SUB TY6626) W/CLUTCH LESS SERV MANIFOLDS |
| | TY6626 | COMPRESSOR | 1 | | REMANUFACTURED |
| 19 | R33259 | O-RING | 1 | | |
| 20 | AH126044 | HOSE | 1 | | PRESSURE |
| 21 | 19M8007 | CAP SCREW | 4 | | M10 X 25 |
| 22 | H125988 | PIVOT | 1 | | |
| 23 | H125989 | SHAFT | 2 | | |
| 24 | 03M7191 | BOLT | 2 | | M10 X 25 |
| 25 | H136603 | SUPPORT | 1 | | |
| 26 | H125991 | CLAMP | 1 | | |
| .. | R49856 | OIL | 1 | | 1 QT. REFRIGERANT OIL |

6F1

OPERATOR'S STATION

AIR CONDITIONING SYSTEM (FOR R134A REFRIGERANT)

(650301-)
HP5291 -UN-01JAN94



HP5291

6F2

OPERATOR'S STATION

AIR CONDITIONING SYSTEM (FOR R134A REFRIGERANT) - CONTINUED
(650301-)

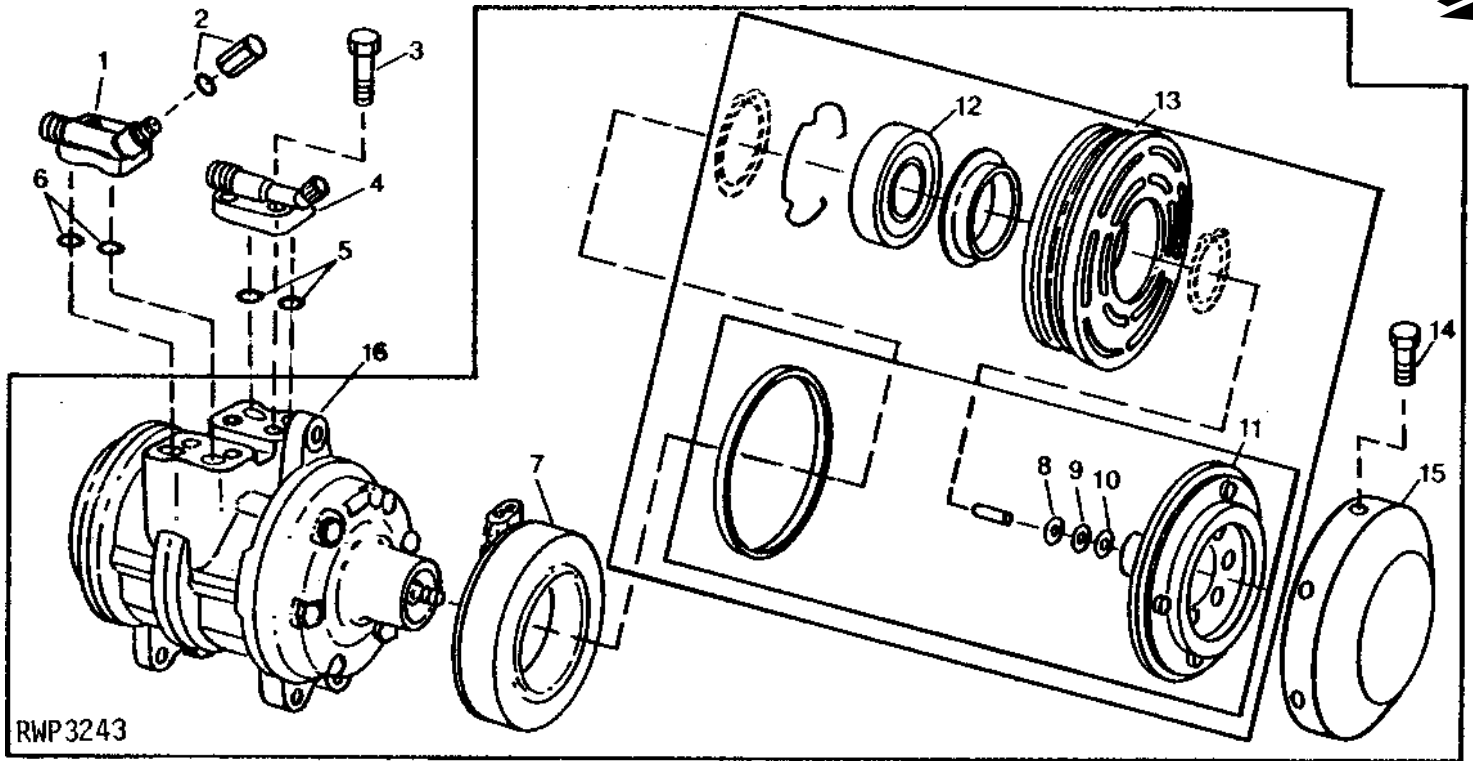
| KEY | PART NO. | PART NAME | QTY | SERIAL NO. | REMARKS |
|-----|----------|----------------------|-----|------------|---|
| 1 | P51212 | O-RING | 1 | -650300 | 10.820 X 1.778 MM (0.426" X 0.070") |
| | R113050 | RING | 1 | 650301- | 10.820 X 1.778 MM (0.426" X 0.070") |
| 2 | AH142106 | REFRIGERANT HOSE | 1 | | PRESSURE, LONGER HOSE USED FOR ALL (SERVICE ONLY) |
| 3 | R10093 | O-RING | 1 | | 7.645 X 1.778 MM (0.301" X 0.070") |
| 4 | AH126036 | HOSE | 1 | | |
| 5 | RE24307 | HIGH PRESSURE SWITCH | 1 | | HIGH PRESSURE |
| 6 | AH149618 | VAPOR CONDENSER | 1 | | (SUB FOR AH140471) EVAPORATOR |
| | AH150219 | OIL COOLER | 1 | | (SUB FOR AH136172) OIL COOLER AND CONDENSER TOGETHER, NOT FOR 253 HP ENGINE |
| 7 | P45458 | BALL | 1 | | |
| 8 | 24M7047 | WASHER | 2 | | 13 X 24 X 2.500 MM |
| 9 | H145987 | HOOK BOLT | 1 | | |
| | 14M7275 | NUT | 2 | | M12 |
| 10 | H145986 | ARM | 1 | | |
| 11 | 11M7021 | COTTER PIN | 2 | | 4 X 25 MM |
| 12 | 24M7047 | WASHER | 1 | | 13 X 24 X 2.500 MM |
| 13 | 19M7838 | SCREW | 1 | | M12 X 130 |
| 14 | 19M7913 | SCREW | 3 | | M8 X 90 |
| 15 | H80896 | BELT | 1 | | |
| 16 | RE46657 | COMPRESSOR | 1 | | COMPLETE |
| | TY6765 | COMPRESSOR | 1 | | USE ON ALL MACHINES PRIOR TO 1993 |

6F3

OPERATOR'S STATION

COMPRESSOR CLUTCH AND SERVICE VALVES (FOR R-12 REFRIGERANT)

(-650300)
RWP3243 -UN-01JAN94



| KEY | PART NO. | PART NAME | QTY | SERIAL NO. | REMARKS |
|-----|----------|------------|-----|------------------|---------|
| 1 | RE10981 | MANIFOLD | 1 | | |
| 2 | RE10982 | VALVE | 1 | | |
| 3 | 19M8446 | SCREW | 4 | M8 X 20, HS 12.9 | |
| 4 | RE10980 | MANIFOLD | 1 | | |
| 5 | R77401 | O-RING | 2 | | |
| 6 | R77400 | PACKING | 2 | | |
| 7 | R85688 | STATOR | 1 | | |
| 8 | R77391 | WASHER | AR | | |
| 9 | R77392 | SHIM | AR | | |
| 10 | R77393 | SHIM | AR | | |
| 11 | RE10974 | KIT | 1 | | |
| 12 | R77394 | BEARING | 1 | | |
| 13 | RE10975 | KIT | 1 | | |
| 14 | R77390 | SCREW | 6 | | |
| 15 | R77389 | COVER | 1 | | |
| 16 | TY6626 | COMPRESSOR | 1 | | |
| .. | R49856 | OIL | 1 | 0.9L (1 QT) | |

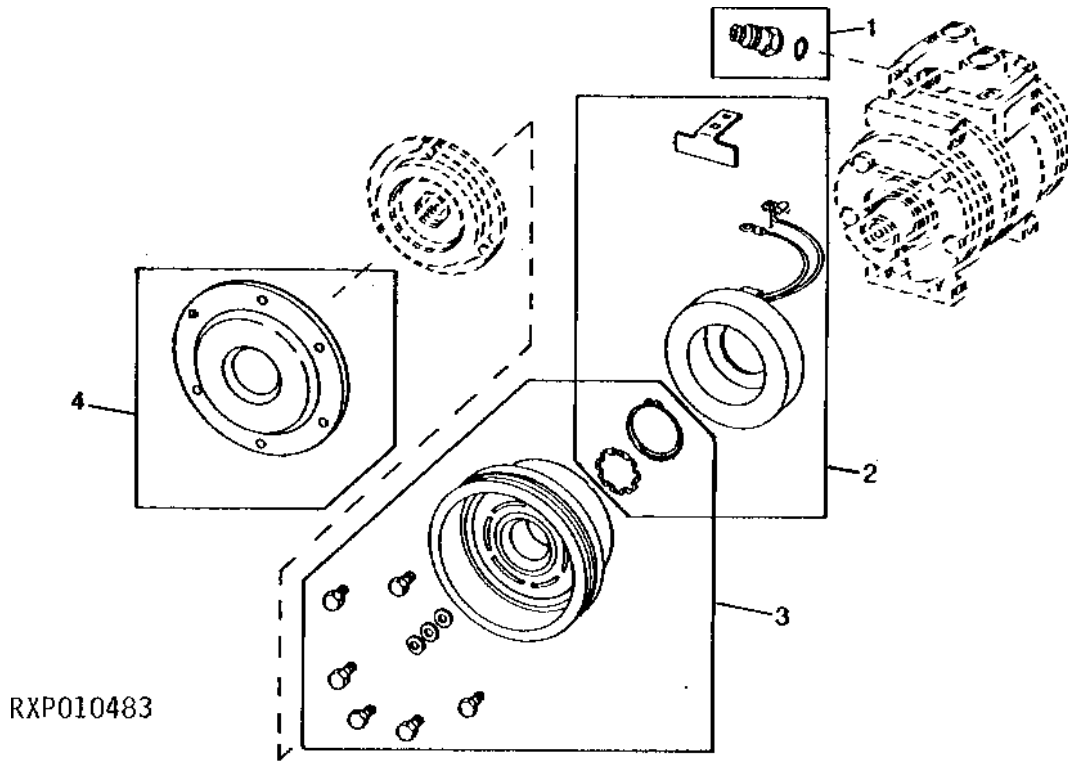
6F4

OPERATOR'S STATION

COMPRESSOR CLUTCH AND SERVICE VALVES (FOR R-12 REFRIGERANT)

(-650300)

RXP010483 -UN-01JAN94



| KEY | PART NO. | PART NAME | QTY | SERIAL NO. | REMARKS |
|-----|----------|-----------|-----|------------|---------|
| 1 | RE52506 | VALVE | 1 | | |
| 2 | RE52510 | STATOR | 1 | | |
| 3 | RE53408 | KIT | 1 | | |
| 4 | R115743 | COVER | 1 | | |

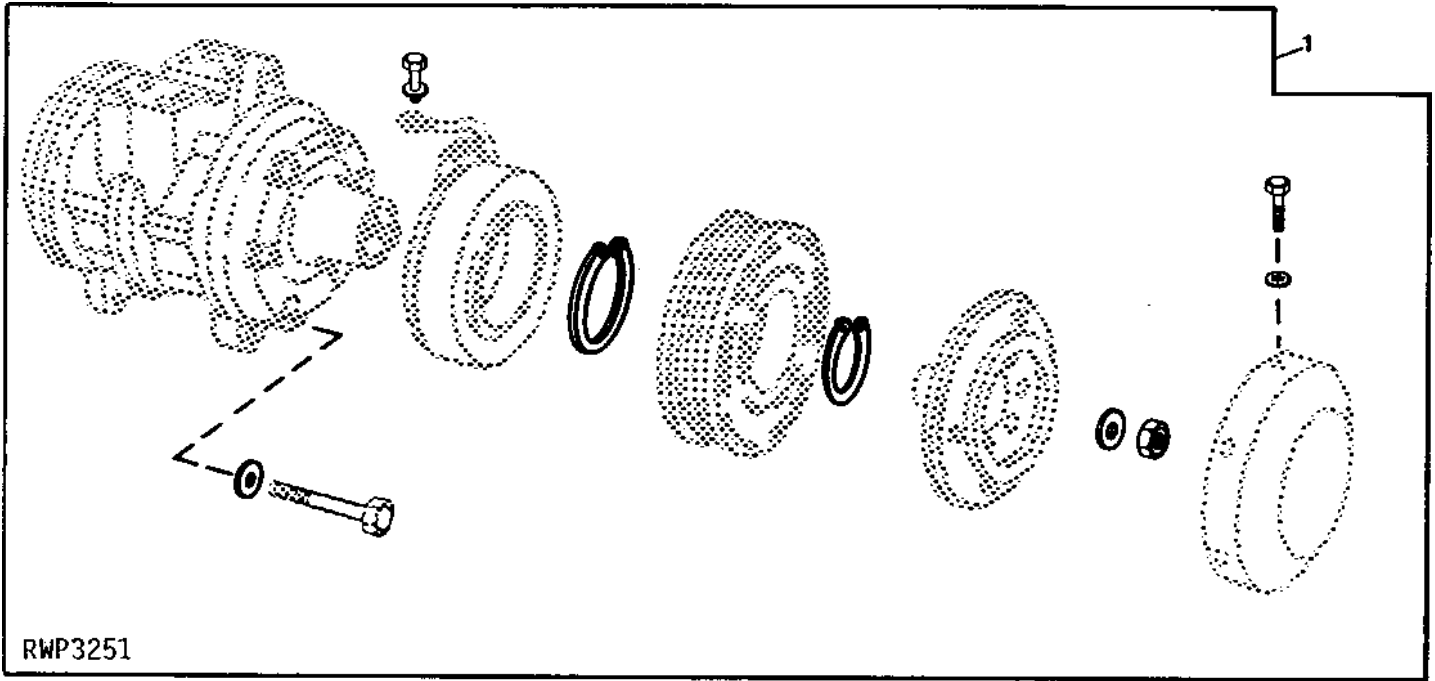
6F5

OPERATOR'S STATION

COMPRESSOR HARDWARE SET (FOR R-12 REFRIGERANT)

(-650300)

RWP3251 -UN-01JAN94



| KEY | PART NO. | PART NAME | QTY | SERIAL NO. | REMARKS |
|-----|----------|-----------|-----|------------|---------|
| 1 | RE10976 | KIT | 1 | | |

MEMORANDA

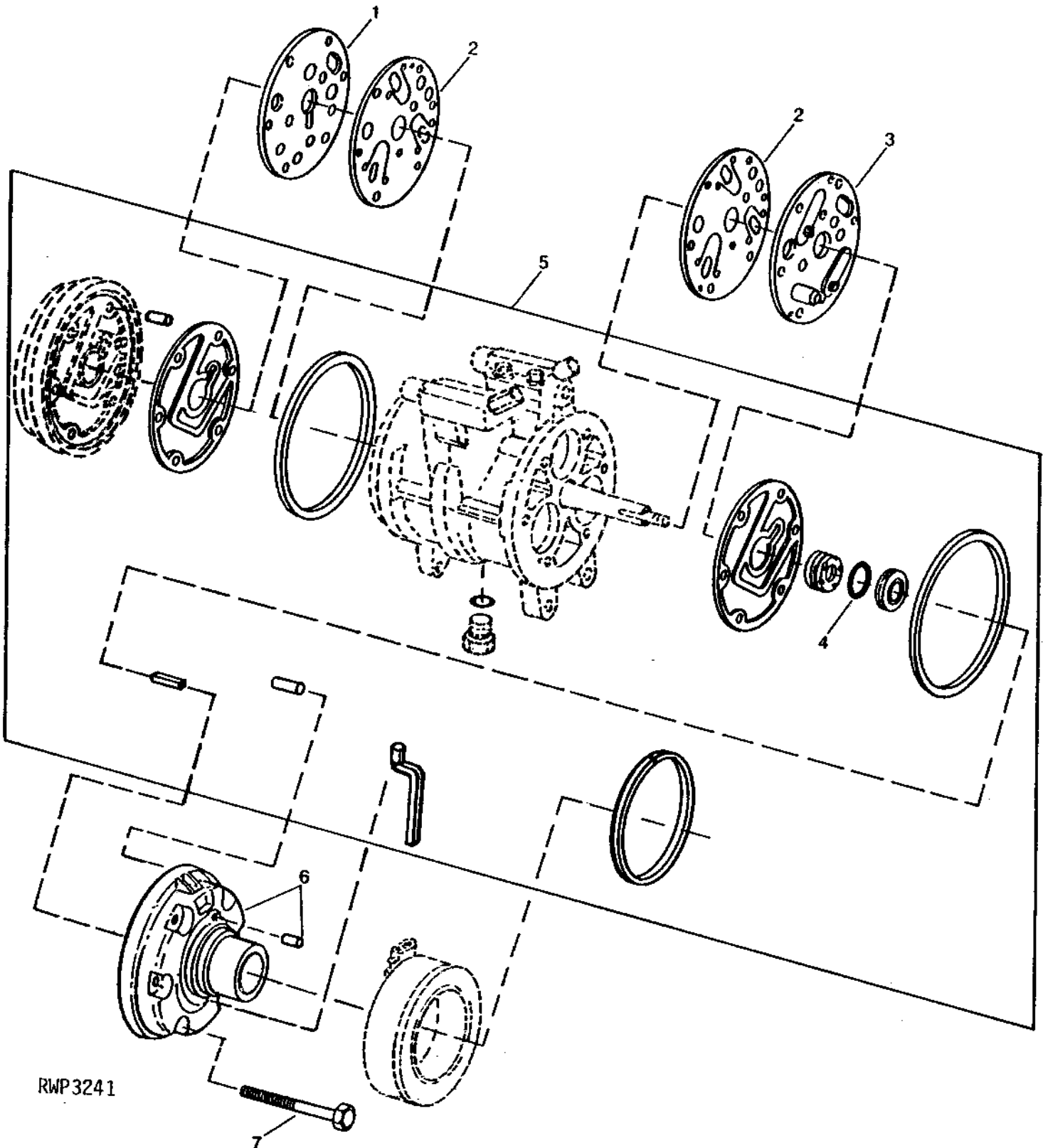
6F6

OPERATOR'S STATION

COMPRESSOR PARTS (FOR R-12 REFRIGERANT)

(-650300)

RWP3241 -UN-01JAN94



RWP3241

6F7

OPERATOR'S STATION

COMPRESSOR PARTS (FOR R-12 REFRIGERANT)
(-650300)

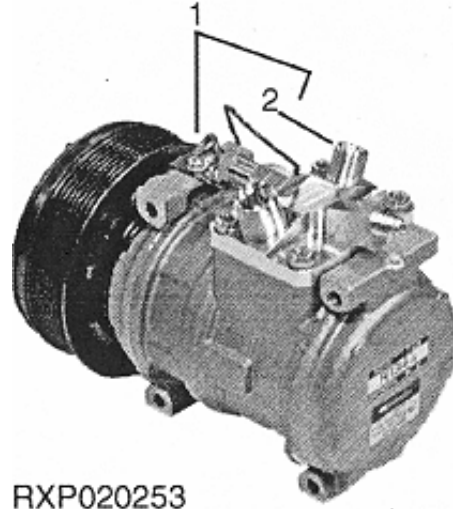
| KEY | PART NO. | PART NAME | QTY | SERIAL NO. | REMARKS |
|-----|----------|-------------------|-----|------------|---------|
| 1 | RE10979 | PLATE | 1 | | |
| 2 | R77397 | VALVE | 2 | | |
| 3 | RE10978 | PLATE | 1 | | |
| 4 | R77399 | PACKING | 1 | | |
| 5 | RE10973 | KIT | 1 | | |
| 6 | RE10977 | CYLINDER HEAD | 1 | | |
| 7 | R77396 | SOCKET HEAD SCREW | 6 | | |

6F8

OPERATOR'S STATION

AIR CONDITIONING COMPRESSOR (FOR R134A REFRIGERANT)

(650301-)
RXP020253 -UN-01JAN94



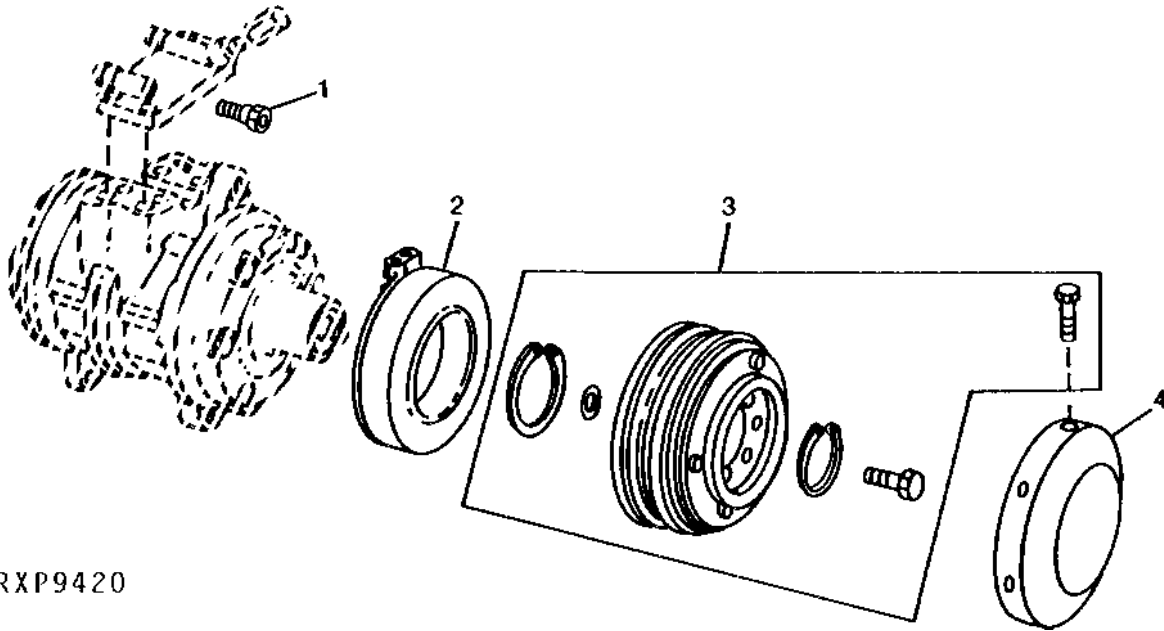
RXP020253

| KEY | PART NO. | PART NAME | QTY | SERIAL NO. | REMARKS |
|-----|----------|-------------|-----|------------|-----------------------------------|
| 1 | RE52454 | COMPRESSOR | 1 | | (WITHOUT CLUTCH) |
| 2 | RE51052 | MANIFOLD | 1 | | (WITH SEAL) |
| .. | R115742 | SEAL | 1 | | |
| .. | TY22025 | OIL | 1 | | (SUB TY22101) 250 ML |
| .. | TY22101 | OIL | 1 | | |
| .. | TY15949 | REFRIGERANT | 1 | | 12 LBS (R134A) |
| .. | TY15950 | REFRIGERANT | 1 | | 15 LBS (R134A) |
| .. | TY15951 | REFRIGERANT | 1 | | 30 LBS (R134A) |
| .. | RE46657 | COMPRESSOR | 1 | | COMPLETE |
| .. | TY6768 | COMPRESSOR | 1 | | USE ON ALL MACHINES PRIOR TO 1993 |

6F9

COMPRESSOR CLUTCH AND SERVICE VALVES (FOR R134A REFRIGERANT)

(650301-)
RXP9420 -UN-01JAN94



RXP9420

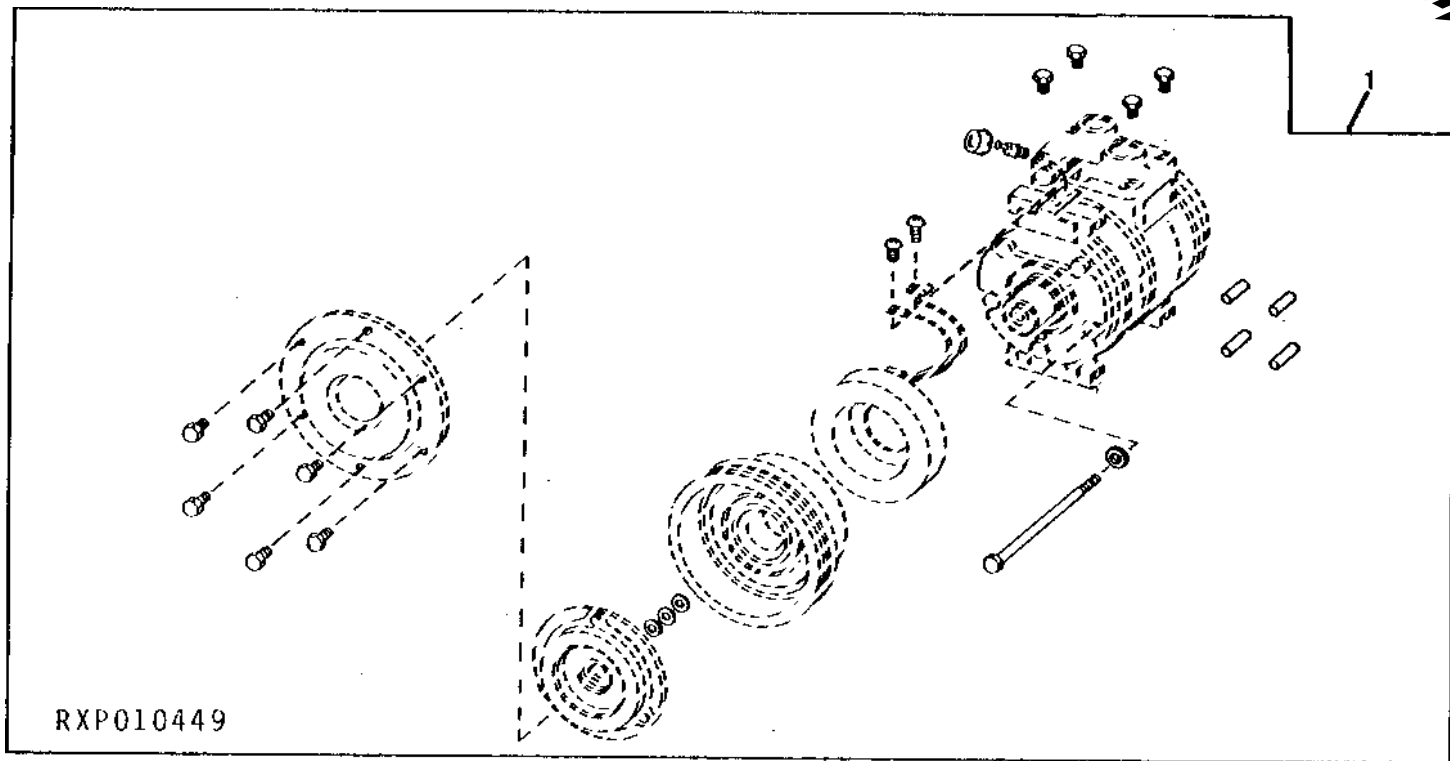
| KEY | PART NO. | PART NAME | QTY | SERIAL NO. | REMARKS |
|-----|----------|-----------|-----|------------|---------------|
| 1 | RE52506 | VALVE | 1 | | (WITH O-RING) |
| 2 | RE52510 | STATOR | 1 | | |
| 3 | RE53408 | KIT | 4 | | CLUTCH |
| 4 | R115743 | COVER | 1 | | |

6F10

OPERATOR'S STATION

COMPRESSOR HARDWARE SET (FOR R134A REFRIGERANT)

(650301-)
RXP010449 -UN-01JAN94



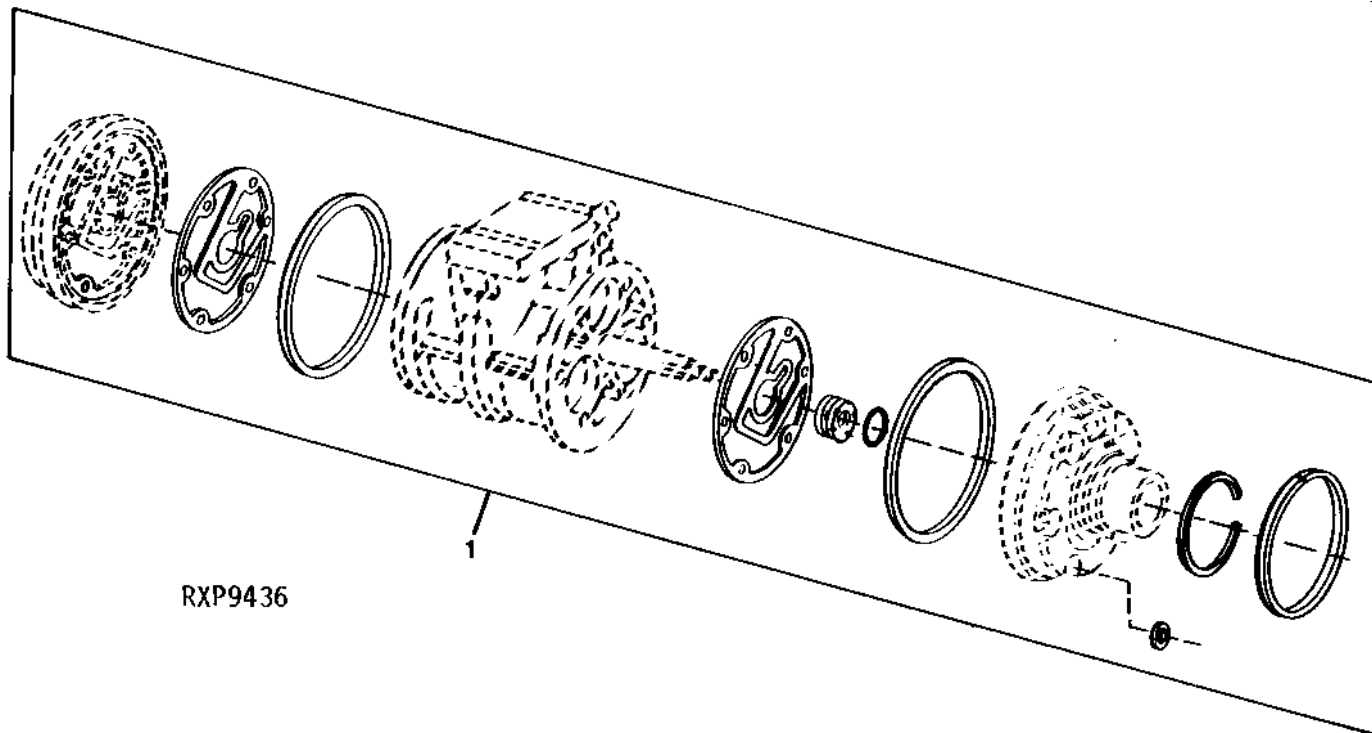
| KEY | PART NO. | PART NAME | QTY | SERIAL NO. | REMARKS |
|-----|----------|-----------|-----|------------|---------|
| 1 | RE52507 | KIT | 1 | | |

6F11

OPERATOR'S STATION

COMPRESSOR PARTS (FOR R134A REFRIGERANT)

(650301-)
RXP9436 -UN-01JAN94



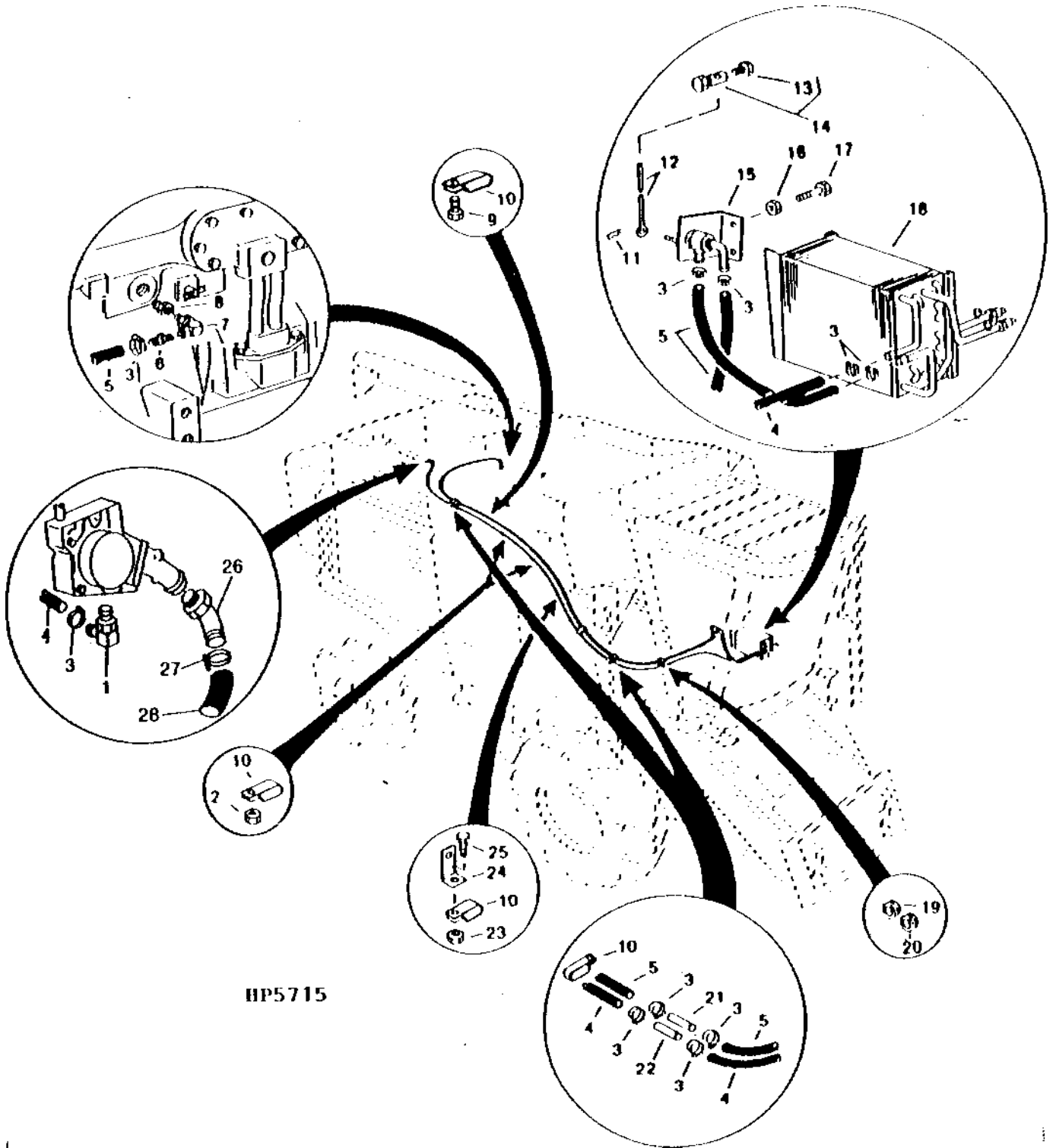
RXP9436

| KEY | PART NO. | PART NAME | QTY | SERIAL NO. | REMARKS |
|-----|----------|-----------|-----|------------|---------|
| 1 | RE52509 | SEAL KIT | 1 | | |

6F12

OPERATOR'S STATION

HEATER SYSTEM
HP5715 -UN-01JAN94



HP5715

6F13

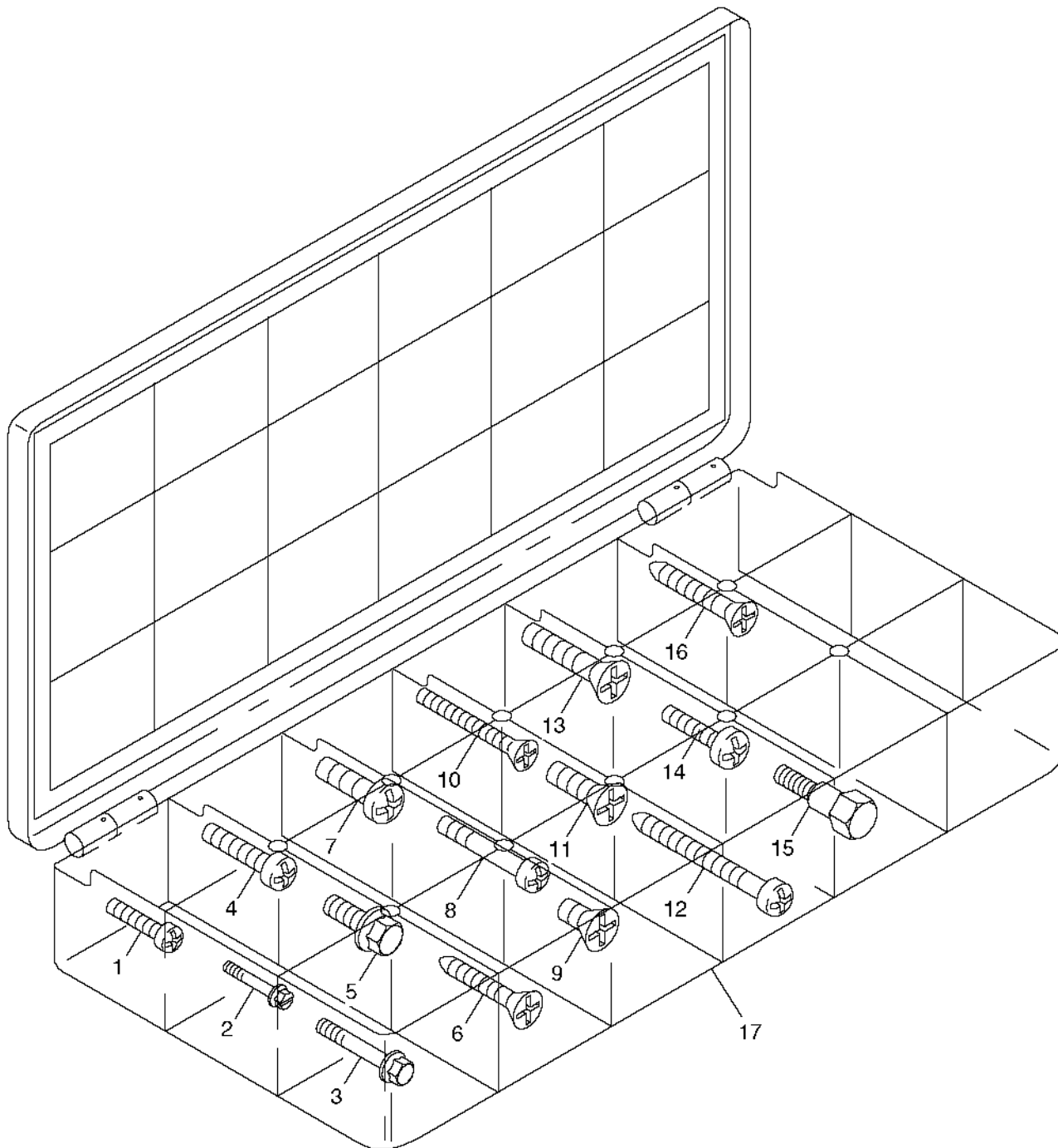
OPERATOR'S STATION

HEATER SYSTEM - CONTINUED

| KEY | PART NO. | PART NAME | QTY | SERIAL NO. | REMARKS |
|-----|----------|-------------------------|-----|---------------|---|
| 1 | AH64349 | HOSE FITTING | 1 | | |
| 2 | 14M7296 | FLANGE NUT | 1 | | M10 |
| 3 | AR21837 | CLAMP | 11 | -631800 | |
| | AR21837 | CLAMP | 7 | 631801-662293 | (SUB TY22465) |
| | TY22465 | HOSE CLAMP | 7 | | |
| 4 | TY22330 | BULK HOSE | 5 | -631800 | (SUB FOR (5) H108935) |
| | TY22330 | BULK HOSE | 3 | 631801- | (SUB FOR (3) H108935) |
| 5 | R45847 | HOSE | 5 | -662078 | (SUB TY22328) CUT 1600 MM (63") FOR CAB TO VALVE, 1100 MM (43"), FOR CAB TO HEATER, 1050 MM (41"), 3150 MM (124") FROM ENGINE TO CAB. |
| | TY22328 | BULK HOSE | 1 | | (CUT TO LEGNTH) |
| 6 | H23196 | FITTING | 1 | | |
| 7 | 15H200 | ELBOW FITTING | 1 | | |
| 8 | 15H565 | PIPE BUSHING | 1 | -656310 | 12.700 MM (1/2") |
| | 15H590 | PIPE BUSHING | 1 | | 12.700 MM (1/2") |
| 9 | 19M7865 | SCREW | 1 | | |
| 10 | H117952 | CLAMP | 4 | | |
| 11 | H132922 | COTTER PIN | 1 | | |
| 12 | H134655 | PIN | 1 | | |
| 13 | | SCREW | 1 | | |
| 14 | AH130610 | BALL JOINT | 1 | | |
| 15 | AH127974 | CONTROL VALVE | 1 | | |
| 16 | 14M7303 | FLANGE NUT | 1 | | M6 |
| 17 | 19M7775 | SCREW | 1 | | M6 X 16 |
| 18 | AH130957 | EVAPORATOR | 1 | -636011 | (SUB AH132264) HEATER AND EVAPORATOR COMBINATION |
| | AH132264 | EVAPORATOR | 1 | | HEATER AND EVAPORATOR COMBINATION |
| 19 | R50456 | GROMMET | 1 | | |
| 20 | H36221 | GROMMET | 1 | | |
| 21 | H81010 | BUSHING | 1 | -663123 | |
| | H153721 | COUPLING | 1 | 663124- | |
| 22 | H101870 | SLEEVE | 1 | -663123 | (SUB H153722) |
| | H153722 | COUPLING | 1 | | |
| 23 | 14M7298 | FLANGE NUT | 1 | | M8 |
| 24 | H132662 | BRACKET | 1 | | |
| 25 | 19M7866 | SCREW | 1 | | M8 X 20 |
| 26 | H146887 | TUBE | 1 | | |
| 27 | AR21999 | HOSE CLAMP | 1 | | |
| 28 | AH137758 | HOSE | 1 | | HEATER RETURN |
| .. | H77698 | TIE BAND | 1 | | |
| | (C) | AIR CONDITIONING O-RING | | | |

6F14

CAB HARDWARE KIT
HP3731 -UN-01SEP99



HP3731

6F15

OPERATOR'S STATION

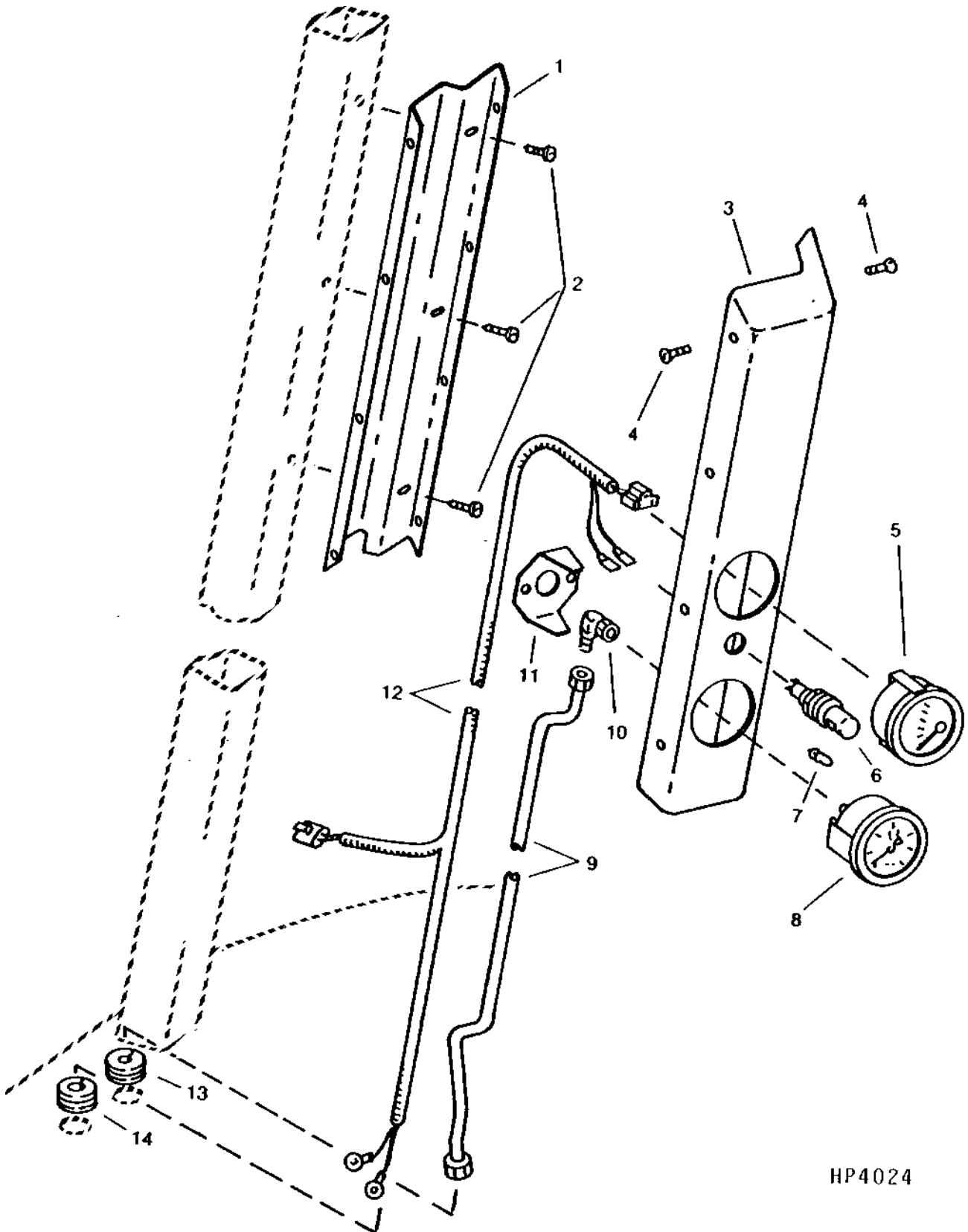
CAB HARDWARE KIT - CONTINUED

| KEY | PART NO. | PART NAME | QTY | SERIAL NO. | REMARKS |
|-----|----------|-----------|-----|------------|---------------------------------------|
| 1 | H110842 | SCREW | 10 | | |
| 2 | H111364 | SCREW | 10 | | |
| 3 | H111705 | SCREW | 10 | | |
| 4 | H111706 | SCREW | 10 | | |
| 5 | H114038 | SCREW | 5 | | |
| 6 | H119088 | SCREW | 10 | | |
| 7 | H123995 | SCREW | 10 | | |
| 8 | H128859 | SCREW | 5 | | 4.826 X 22.280 MM (0.190" X 0.877") |
| 9 | H130192 | SCREW | 5 | | M6 X 12 |
| 10 | H130194 | CAP SCREW | 10 | | M4 X 30 |
| 11 | H130195 | SCREW | 5 | -667560 | M5 X 12 |
| | H158579 | SCREW | 4 | 667561- | M5 X 12 |
| 12 | H130298 | SCREW | 3 | | M5 X 40 |
| 13 | H165691 | SCREW | 10 | | M6 X 20, (SUB FOR H131591 OR H168780) |
| 14 | 37M7182 | SCREW | 10 | | |
| 15 | H131424 | BOLT | 3 | | M6 X 20.750 |
| 16 | H132899 | SCREW | 5 | | |
| 17 | AH133088 | KIT | 1 | | |

6F16

OPERATOR'S STATION

CAB POST INSTRUMENT PANEL L.H. (EXPORT ONLY)
HP4024 -UN-01JAN94



HP4024

6F17

OPERATOR'S STATION

CAB POST INSTRUMENT PANEL L.H. (EXPORT ONLY) - CONTINUED

| KEY | PART NO. | PART NAME | QTY | SERIAL NO. | REMARKS |
|-----|----------|----------------|-----|---------------------------------------|----------------|
| 1 | H140213 | BRACKET | 1 | | |
| 2 | 37M7089 | SCREW | 3 | M6 X 12 | |
| 3 | H140212 | HOUSING | 1 | | |
| 4 | H165691 | SCREW | 8 | M6 X 20, (SUB FOR H131591 OR H168780) | |
| 5 | AZ32393 | GAUGE | 1 | | |
| 6 | AH135354 | LAMP | 1 | | |
| 7 | RE12927 | BULB | 1 | | |
| 8 | AZ39154 | GAUGE | 1 | ACCUMULATOR | |
| 9 | AH134811 | OIL LINE | 1 | | |
| 10 | AZ32732 | ELBOW FITTING | 1 | | |
| 11 | H140384 | BRACKET | 1 | (SUB AZ52625) | |
| | AZ52625 | GAUGE | 1 | | |
| 12 | AH135353 | WIRING HARNESS | 1 | -636011 | (SUB AH137487) |
| | AH137487 | WIRING HARNESS | 1 | | |
| 13 | T63817 | GROMMET | 1 | | |
| 14 | T65643 | GROMMET | 1 | | |

MEMORANDA

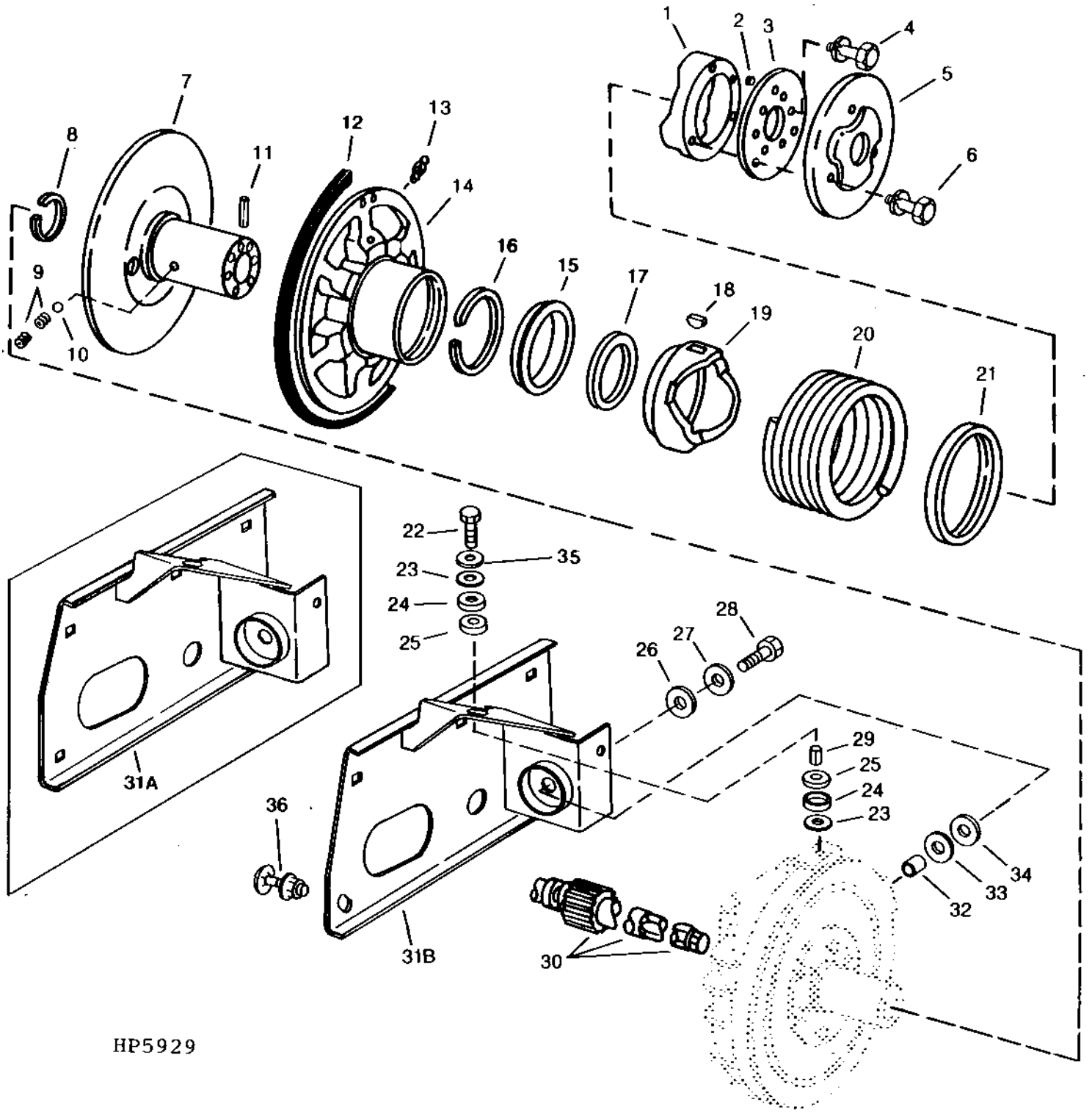
MEMORANDA

6F20

FEEDER HOUSE

FRONT VARIABLE DRIVE SHEAVE AND MOUNTINGS

HP5929 -UN-06MAR95



HP5929

6F21

FEEDER HOUSE

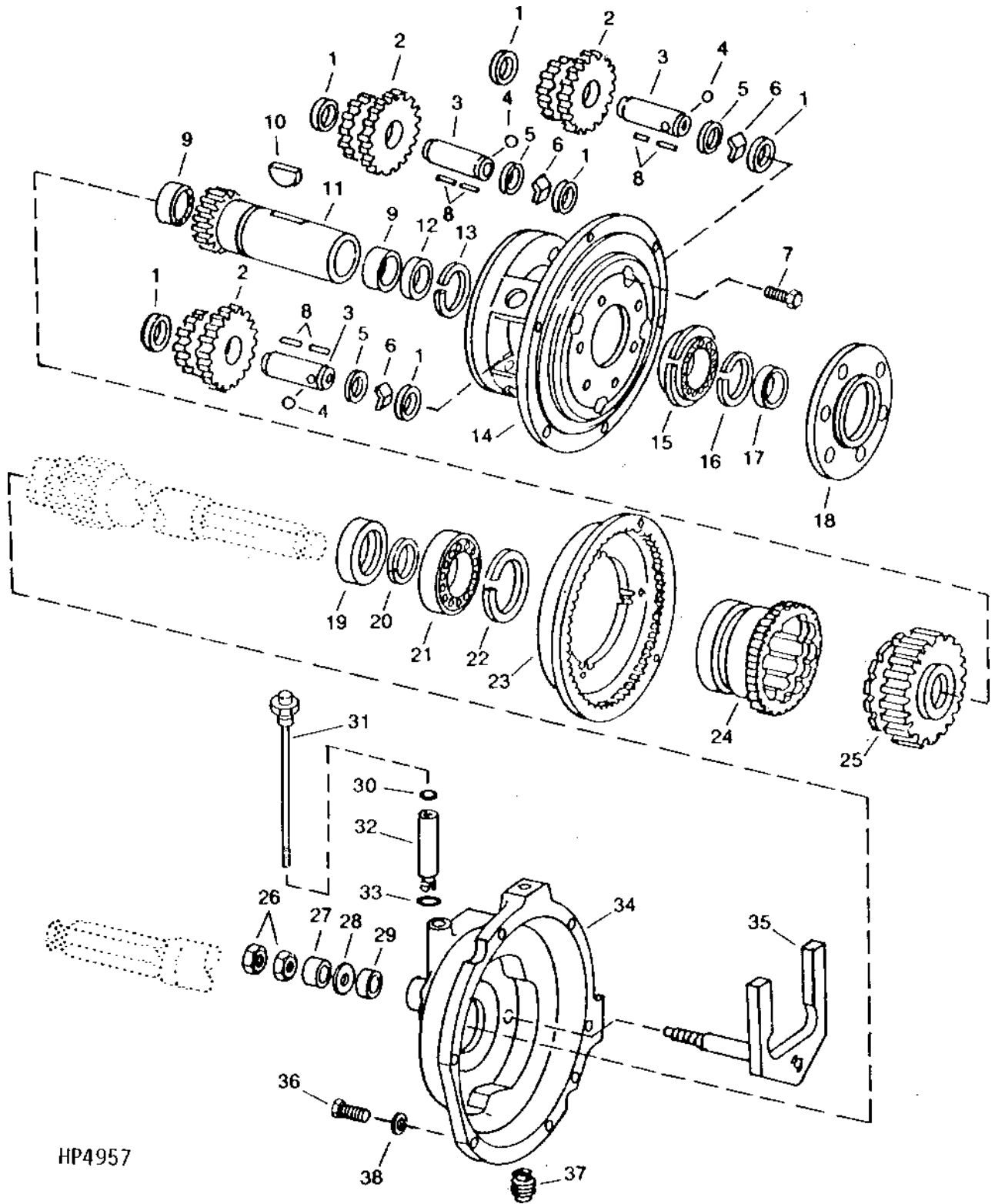
FRONT VARIABLE DRIVE SHEAVE AND MOUNTINGS - CONTINUED

| KEY | PART NO. | PART NAME | QTY | SERIAL NO. | REMARKS |
|-----|----------|---------------------|-----|---------------|--|
| 1 | | CAM | 1 | | (ORDER AH138751) INNER |
| 2 | 32243 | PLUG | 1 | | |
| 3 | H107793 | WASHER | 1 | | |
| 4 | 19M7938 | CAP SCREW | 6 | | M10 X 20, (SUB FOR 19H1936) |
| | 12M7135 | LOCK WASHER | 6 | | 10.200 MM, (SUB FOR 12H304) |
| 5 | H93368 | RETAINER | 1 | -673379 | |
| | H155459 | RETAINER | 1 | 673380- | |
| 6 | 19H3034 | CAP SCREW | 3 | | 3/8" X 3" |
| | 12H304 | LOCK WASHER | 3 | | 3/8" |
| 7 | H168126 | SHEAVE | 1 | | (SUB FOR H108673) |
| 8 | B3118R | SNAP RING | 1 | | |
| 9 | 22H775 | SET SCREW | 2 | | 5/16" X 1/4" |
| 10 | H110922 | BALL | 1 | | 0.236" |
| 11 | 34M7255 | SPRING PIN | 1 | | 6 X 50 MM, (SUB FOR 34H305) |
| 12 | H125711 | BELT | 1 | | |
| 13 | JD7759 | LUBRICATION FITTING | 2 | | |
| 14 | H107735 | SHEAVE | 1 | | |
| 15 | H97308 | SNAP RING | 1 | | |
| 16 | H110728 | RETAINER | 1 | | |
| 17 | AH108161 | SEAL | 1 | | |
| 18 | 26H104 | SHAFT KEY | 1 | 673380- | 5/16" X 2-1/8" |
| 19 | | CAM | 1 | | (ORDER AH138751) OUTER |
| 20 | H92260 | SPRING | 1 | | |
| 21 | AH96345 | SEAL | 1 | | |
| 22 | 19H1863 | CAP SCREW | 1 | | 5/8" X 3" |
| 23 | P50456 | WASHER | 2 | | 16.301 X 76.200 X 4.500 MM (0.642" X 3" X 0.177") |
| 24 | H80197 | BUSHING | 2 | -651850 | (SUB H148132) |
| | H148132 | BUSHING | 2 | | |
| 25 | H78856 | RETAINER | 2 | -651851 | (SUB H148133) |
| | H148133 | RETAINER | 1 | | |
| 26 | T55761 | SUPPORT | 1 | | |
| 27 | R20136 | WASHER | 1 | | 19.837 X 69.850 X 6.350 MM (25/32" X 2-3/4" X 1/4") |
| 28 | 19H1950 | CAP SCREW | 1 | | 5/8" X 3-3/4" |
| 29 | H85482 | BUSHING | 1 | -651851 | 16.129 X 19.939 X 41.910 MM (0.635" X 0.785" X 1.650") (SUB H148134) |
| | H148134 | SPACER | 1 | | 16.130 X 19.930 X 41.900 MM (0.635" X 0.785" X 1.650") |
| 30 | AH97643 | SHAFT | 1 | | VARIABLE AND FIXED SPEED |
| | AH141550 | SHAFT | 1 | 660301-31JA00 | CONTOUR MASTER |
| | AH152939 | SHAFT | 1 | | CONTOUR MASTER (USE WITH AH149349 (DRIVE SPROCKET) AND H170634 (TONE WHEEL)) |
| 31A | AH130175 | SUPPORT | 1 | -641413 | (SUB AH139919) |
| | AH139919 | SUPPORT | 1 | -657573 | |
| 31B | AH144099 | SUPPORT | 1 | 657574- | |
| 32 | H95417 | SPACER | 1 | | |
| 33 | H97410 | WASHER | 1 | | 26 X 108 X 6 MM (1.024" X 4.252" X 0.236") |
| 34 | R62502 | SUPPORT | 1 | | |
| 35 | 24M7241 | WASHER | 1 | 641229- | 17 X 34 X 4 MM |
| 36 | 03M7191 | BOLT | 5 | | M10 X 25 |
| | 14M7296 | FLANGE NUT | 5 | | M10 |
| .. | T43512 | SEALANT | 1 | -640300 | 50 ML SIZE (CANADA PART NUMBER TY9477) |
| .. | T43515 | ANTI-SEIZE COMPOUND | 1 | | 50 ML SIZE |
| .. | TY6333 | GREASE | 1 | | 14 OZ. TUBE |
| .. | AH138751 | KIT | 1 | | |

6F22

FEEDER HOUSE

REVERSER GEAR BOX
HP4957 -UN-01JAN94



HP4957

6F23

FEEDER HOUSE

REVERSER GEAR BOX - CONTINUED

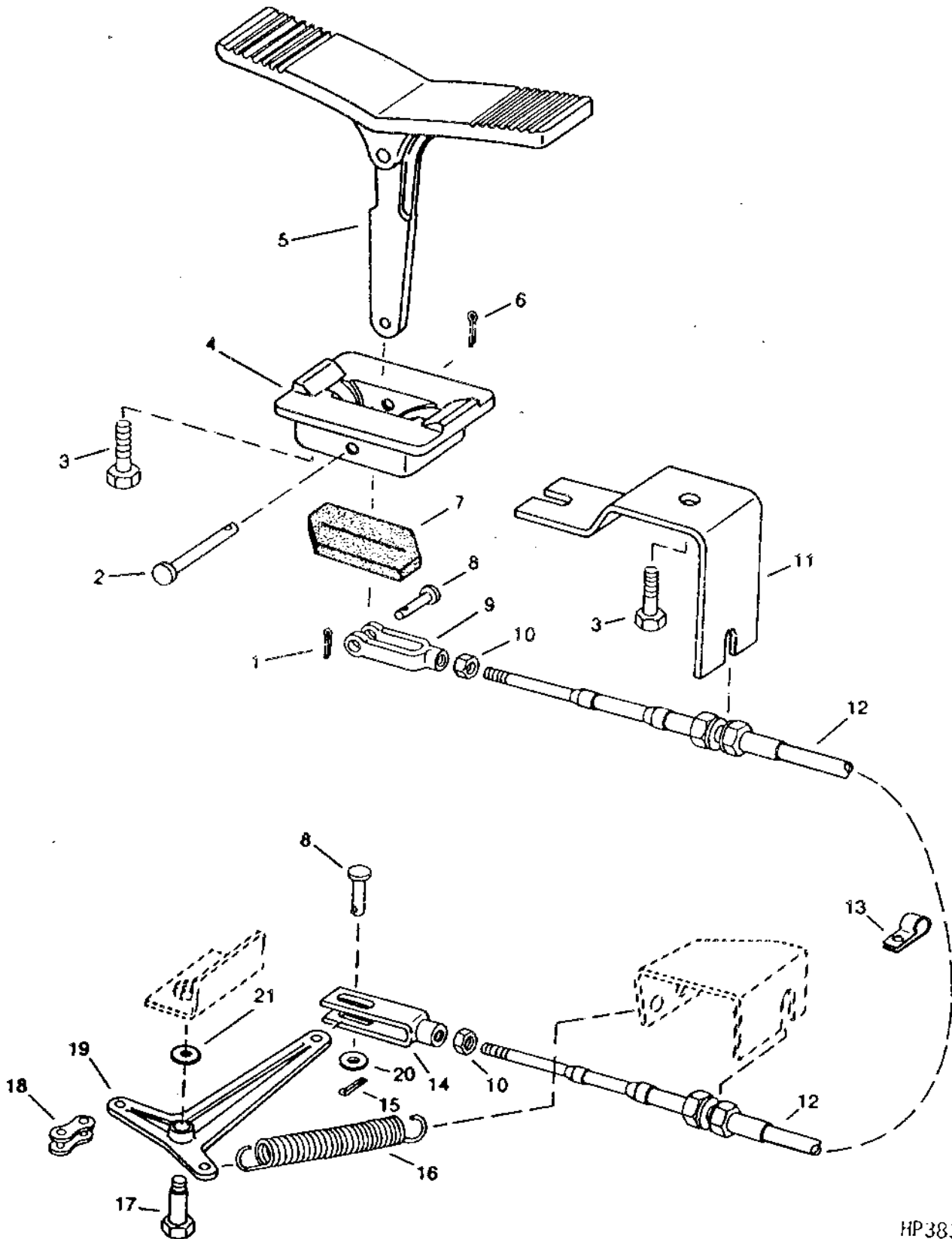
| KEY | PART NO. | PART NAME | QTY | SERIAL NO. | REMARKS |
|-----|----------|-----------------------------|-----|---------------|---|
| 1 | R66197 | THRUST WASHER | 6 | | |
| 2 | H105912 | PINION | 3 | | |
| 3 | R33079 | PIN | 3 | | |
| 4 | H871R | BALL | 3 | | |
| 5 | R33088 | WASHER | 3 | | |
| 6 | H89617 | SPACER | 3 | | |
| 7 | 19H1936 | CAP SCREW | 6 | | 3/8" X 3/4" |
| 8 | R33058 | NEEDLE ROLLER | 186 | | (6 SETS OF 31) |
| 9 | JD8819 | NEEDLE BEARING | 2 | | |
| 10 | 26H41 | SHAFT KEY | 2 | | 5/16" X 2-1/8", WOODRUFF |
| 11 | H105909 | GEAR | 1 | | INPUT |
| 12 | E53699 | SEAL | 1 | | |
| 13 | B3118R | SNAP RING | 1 | | |
| 14 | H98906 | COVER | 1 | -658018 | (SUB H149504) |
| | H149504 | COVER | 1 | | |
| 15 | JD10010 | BALL BEARING | 1 | | (WITH SNAP RING) |
| 16 | R39081 | SNAP RING | 1 | | |
| 17 | R35643 | SEAL | 1 | -645337 | |
| | RE37626 | SEAL | 1 | 645338-656294 | (SUB AH144715) |
| | AH144715 | SEAL | 1 | | |
| 18 | H105353 | BEARING HOUSING W/O BEARING | 1 | -645337 | (SUB H146585) |
| | H146585 | BEARING HOUSING W/O BEARING | 1 | -656251 | |
| | H150662 | BEARING HOUSING W/O BEARING | 1 | 656252- | |
| 19 | AN12151 | SEAL | 1 | -645337 | |
| | AH140185 | SEAL | 1 | 645338- | |
| 20 | N71922 | SNAP RING | 1 | | |
| 21 | JD10011 | BALL BEARING | 1 | | |
| 22 | BP13620 | SNAP RING | 1 | | |
| 23 | AH105040 | GEAR | 1 | | |
| 24 | H132328 | SHIFT COLLAR | 1 | | |
| 25 | H106073 | GEAR | 1 | | OUTPUT |
| 26 | 14H832 | NUT | 2 | | 9/16" |
| 27 | 28H2499 | BUSHING | 1 | | 18.847 X 26.670 X 15.875 MM (0.742" X 1.050" X 5/8") |
| 28 | 24H1378 | WASHER | 1 | | 11/16" X 1-15/32" X 0.134" |
| 29 | AN113330 | SEAL | 1 | | |
| 30 | R26906 | O-RING | 1 | | |
| 31 | AH134599 | DIPSTICK | 1 | -642097 | (SUB AH140615) |
| | AH140615 | INDICATOR LIGHT | 1 | | |
| 32 | H140195 | SPACER | 1 | | |
| 33 | U14273 | BREATHER | 1 | | |
| 34 | H129180 | HOUSING | 1 | -642097 | (SUB H146951) |
| | H146951 | HOUSING | 1 | -650614 | (SUB H149174) (ILLUSTRATED) |
| | H149174 | HOUSING | 1 | -657575 | (SUB H149593) |
| | H149593 | HOUSING | 1 | | (SUB AH159233) |
| | AH159233 | HOUSING | 1 | | |
| 35 | AH93110 | SHIFTER | 1 | | |
| 36 | 19H1731 | CAP SCREW | 6 | | 3/8" X 1" |
| 37 | AN31004 | PIPE PLUG | 1 | | |
| 38 | 12H304 | LOCK WASHER | 6 | | 3/8" |
| .. | TY15130 | SEALANT | 1 | | 3 OZ. SIZE |
| .. | AH156052 | CASE | 1 | | (SUB FOR AH134863) |
| .. | AH153339 | GEAR CASE | 1 | | USE WITH AH149349 (DRIVE SPROCKET) AND H170634 (TONE WHEEL) (SUB FOR AH145315 OR AH156050) CONTOUR MASTER |
| .. | T43512 | SEALANT | 1 | -640300 | 50 ML SIZE (CANADA PART NUMBER TY9477) |

6F24

FEEDER HOUSE

FEEDER HOUSE REVERSER FOOT CONTROL

HP3833 -UN-01JAN94



HP3833

6F25

FEEDER HOUSE

FEEDER HOUSE REVERSER FOOT CONTROL - CONTINUED

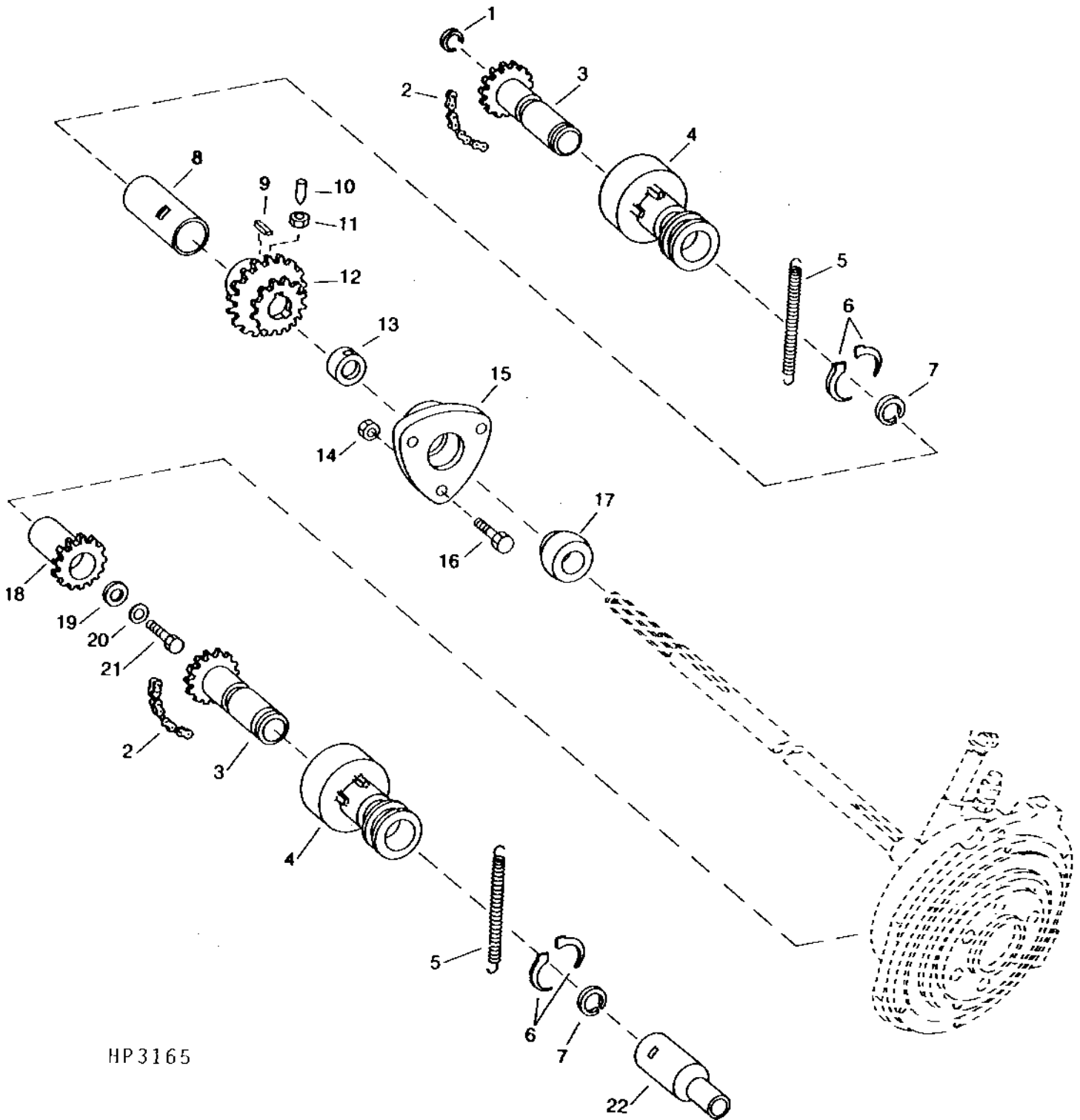
| KEY | PART NO. | PART NAME | QTY | SERIAL NO. | REMARKS |
|-----|----------|-----------------|-----|------------|--|
| 1 | 11M7082 | COTTER PIN | 1 | | 2.500 X 25 MM |
| 2 | R65569 | PIN | 1 | | 9.398 X 49.479 MM (0.370" X 1.948") |
| 3 | 19M7866 | SCREW | 4 | | M8 X 20 |
| 4 | H134489 | BEZEL | 1 | | |
| 5 | H134488 | PEDAL | 1 | | |
| 6 | 11M7081 | COTTER PIN | 1 | | 2.500 X 20 MM |
| 7 | H133210 | SEAL | 1 | | |
| 8 | T16193 | PIN | 1 | | 6.248 X 29.362 MM (0.246" X 1-5/32") |
| 9 | H130646 | YOKE | 1 | | |
| 10 | 14M7273 | NUT | 2 | | M8 |
| 11 | H133208 | SUPPORT | 1 | | |
| 12 | AH128452 | PUSH PULL CABLE | 1 | | |
| 13 | R73384 | CLAMP | 1 | | |
| 14 | AH127383 | YOKE | 1 | | |
| 15 | 11M7082 | COTTER PIN | 1 | | 2.500 X 25 MM |
| 16 | H84948 | SPRING | 1 | | |
| 17 | H127749 | BOLT | 1 | | M12 X 45 |
| 18 | AE23791 | CHAIN LINK | 1 | | |
| 19 | H127747 | BELLCRANK | 1 | -635831 | (SUB H140836) BELLCRANK HAS TWO CONNECTING HOLES |
| | H140836 | BELLCRANK | 1 | | |
| 20 | 24M7054 | WASHER | 1 | | 6.400 X 12 X 1.600 MM |
| 21 | 24M7047 | WASHER | 1 | | 13 X 24 X 2.500 MM |

6G1

FEEDER HOUSE

FRONT SHAFT WITH REVERSER - (VARIABLE)

HP3165 -UN-01JAN94



HP 3165

FRONT SHAFT WITH REVERSER - (VARIABLE) - CONTINUED

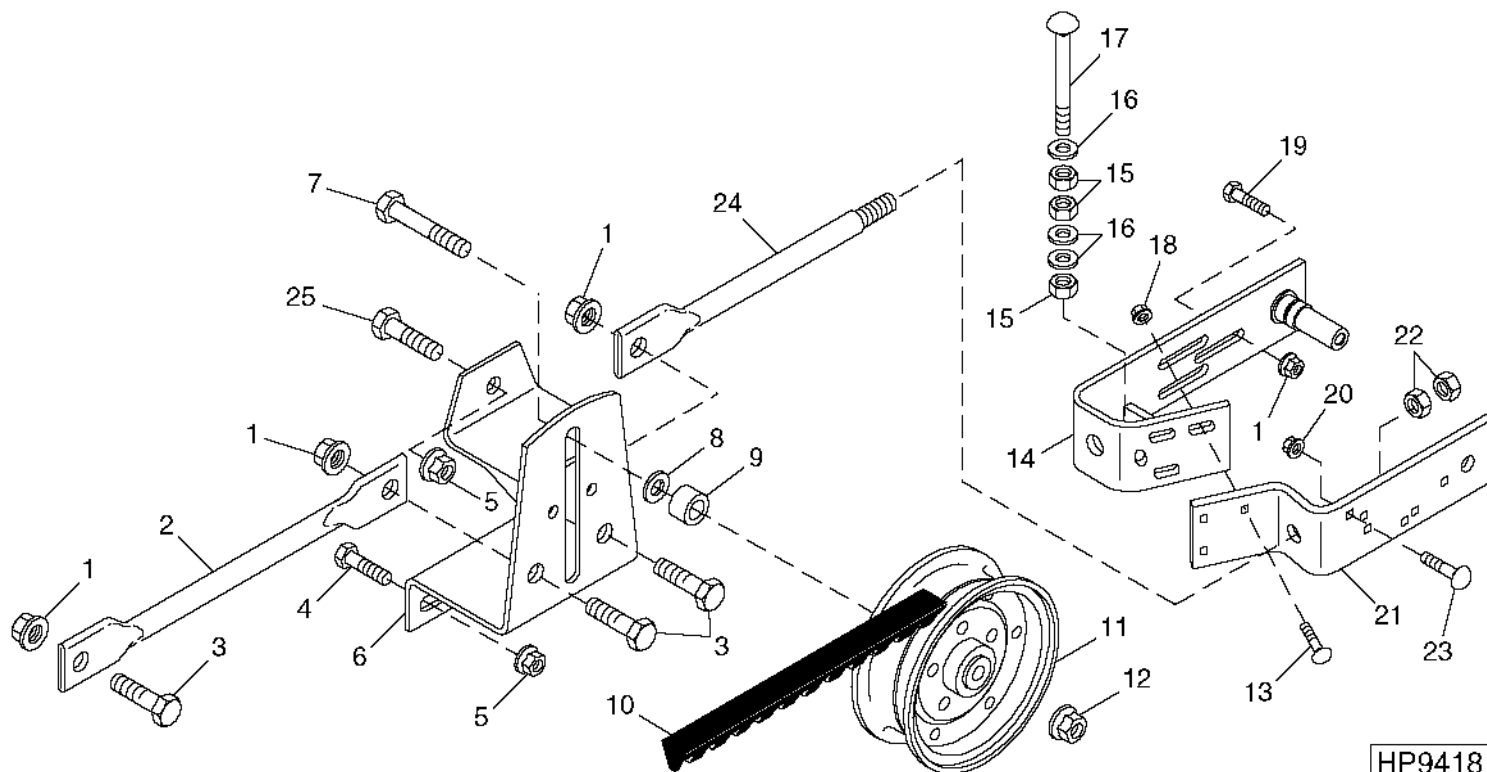
| KEY | PART NO. | PART NAME | QTY | SERIAL NO. | REMARKS |
|-----|----------------|------------------------------------|----------|------------|--|
| 1 | H80926 | SNAP RING | 1 | | |
| 2 | AN102383 | LINK CHAIN | 2 | | |
| 3 | AN102382 | CHAIN SPROCKET | 2 | | 14-TOOTH |
| 4 | AH125783 | QUICK COUPLER | 2 | -650757 | (SUB H148818) |
| | H148818 | QUICK COUPLER | 2 | | |
| 5 | H128118 | SPRING | 2 | | |
| 6 | E62951 | UNIVERSAL JOINT BEARING | 4 | | |
| 7 | H25360 | SNAP RING | 2 | | |
| 8 | H127602 | BUSHING | 1 | | R.H. |
| | H127603 | TUBE | 1 | | L.H. |
| 9 | M73000 | SHAFT KEY | 1 | | |
| 10 | H138435 | SET SCREW | 2 | | M10 X 25 |
| 11 | 14M7274 | NUT | 2 | | M10 |
| 12 | AH125782 | CHAIN SPROCKET | 1 | | COMBINATION, 22-TOOTH AND 15-TOOTH |
| 13 | JD9201 | ECCENTRIC LOCKING COLLAR | 1 | | |
| 14 | 14M7296 | FLANGE NUT | 3 | | M10 |
| 15 | H93927 | HOUSING | 1 | | |
| 16 | 03M7192 | BOLT | 3 | -670300 | M10 X 30 |
| | 03M7193 | BOLT | 3 | | M10 X 35 |
| 17 | JD9202 | BALL BEARING | 1 | | |
| 18 | AH96938 | CHAIN SPROCKET | 1 | | 14 TEETH |
| 19 | 24M7241 | WASHER | 1 | | 17 X 34 X 4 MM |
| 20 | 12H294 | LOCK WASHER | 1 | | 5/8" |
| | 12H236 | LOCK WASHER | 1 | 656252- | 19.050 MM (3/4") |
| 21 | 19H1756 | CAP SCREW | 1 | | 5/8" X 1-1/2" |
| | 19H3673 | CAP SCREW | 1 | 656252- | 15.875 X 38.100 MM (5/8" X 1-1/2") |
| 22 | H127733 | SHIELD | 1 | | L.H. |
| .. | BH78885 | COMPLETE GOODS/SHIP. BUNDLE | 1 | | COUPLER ASSEMBLY WITH CHAIN AND SHIELD |
| .. | BH81268 | COMPLETE GOODS/SHIP. BUNDLE | 1 | | COUPLER ASSEMBLY WITH FOR 1997 AND LATER MACHINES WITH LATERAL TILT FEEDERHOUSE |

6G3

FEEDER HOUSE

VARIABLE SPEED DRIVE TIGHTENER

HP9418 -UN-04JAN00



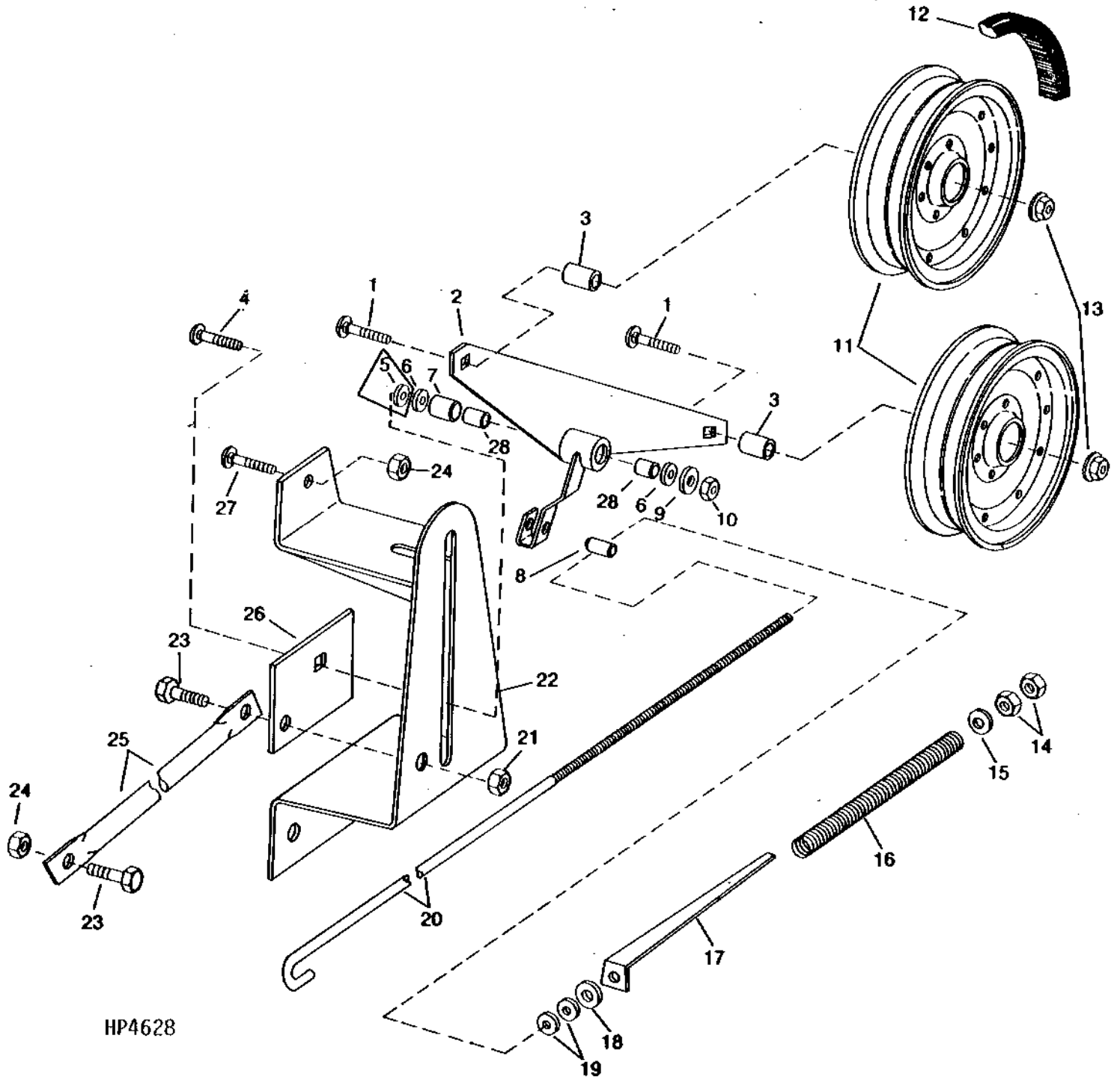
| KEY | PART NO. | PART NAME | QTY | SERIAL NO. | REMARKS |
|-----|----------------|------------------------------------|-----|----------------|---|
| 1 | 14M7299 | FLANGE NUT | 6 | M12 | |
| 2 | H126371 | BRACE | 1 | | |
| 3 | 19M7789 | SCREW | 3 | M12 X 30 | |
| 4 | 19M7789 | SCREW | 2 | M12 X 30 | |
| 5 | 14M7299 | FLANGE NUT | 3 | M12 | |
| 6 | AH139295 | BRACKET | 1 | | (SUB FOR AH130565) |
| 7 | 19M7845 | SCREW | 1 | M16 X 90 | |
| 8 | 24H1698 | WASHER | 1 | | 16.662 X 41.275 X 6.350 MM (21/32" X 1-5/8" X 1/4") |
| 9 | H113892 | SHIFT COLLAR | 1 | | |
| 10 | H125711 | BELT | 1 | | |
| | H161648 | BELT | 1 | 5JAN98- | |
| 11 | AH94450 | IDLER | 1 | | |
| 12 | 14M7291 | FLANGE NUT | 1 | M16 | |
| 13 | 03M7192 | BOLT | 3 | M10 X 30 | |
| 14 | AH120972 | SUPPORT | 1 | | |
| 15 | 14H821 | NUT | 3 | 5/8" | |
| 16 | 24M7053 | WASHER | 3 | 17 X 30 X 3 MM | |
| 17 | 03H2308 | BOLT | 1 | 5/8" X 3-1/4" | |
| 18 | 14M7296 | FLANGE NUT | 3 | M10 | |
| 19 | 19M7790 | SCREW | 3 | M12 X 35 | |
| 20 | 14M7298 | FLANGE NUT | 2 | M8 | |
| 21 | H134087 | STRAP | 1 | | |
| 22 | 14M7277 | NUT | 2 | M20 | |
| 23 | 03M7185 | BOLT | 2 | M8 X 25 | |
| 24 | AH128649 | BRACE | 1 | -650311 | (SUB AH142407) |
| | AH142407 | BRACE | 1 | | |
| 25 | 03M7197 | BOLT | 1 | -641194 | M12 X 25 |
| | 03M7198 | BOLT | 1 | 641195- | M12 X 30 |
| .. | BH81391 | COMPLETE GOODS/SHIP. BUNDLE | 1 | | RETROFIT - WIDE FEEDER HOUSE |
| .. | BH81447 | COMPLETE GOODS/SHIP. BUNDLE | 1 | | RETROFIT - WIDE FEEDER HOUSE, CONTOUR MASTER |

MEMORANDA

6G4

FEEDER HOUSE

FIXED SPEED FEEDER HOUSE DRIVE TIGHTENER
HP4628 -UN-01JAN94



HP4628

6G5

FEEDER HOUSE

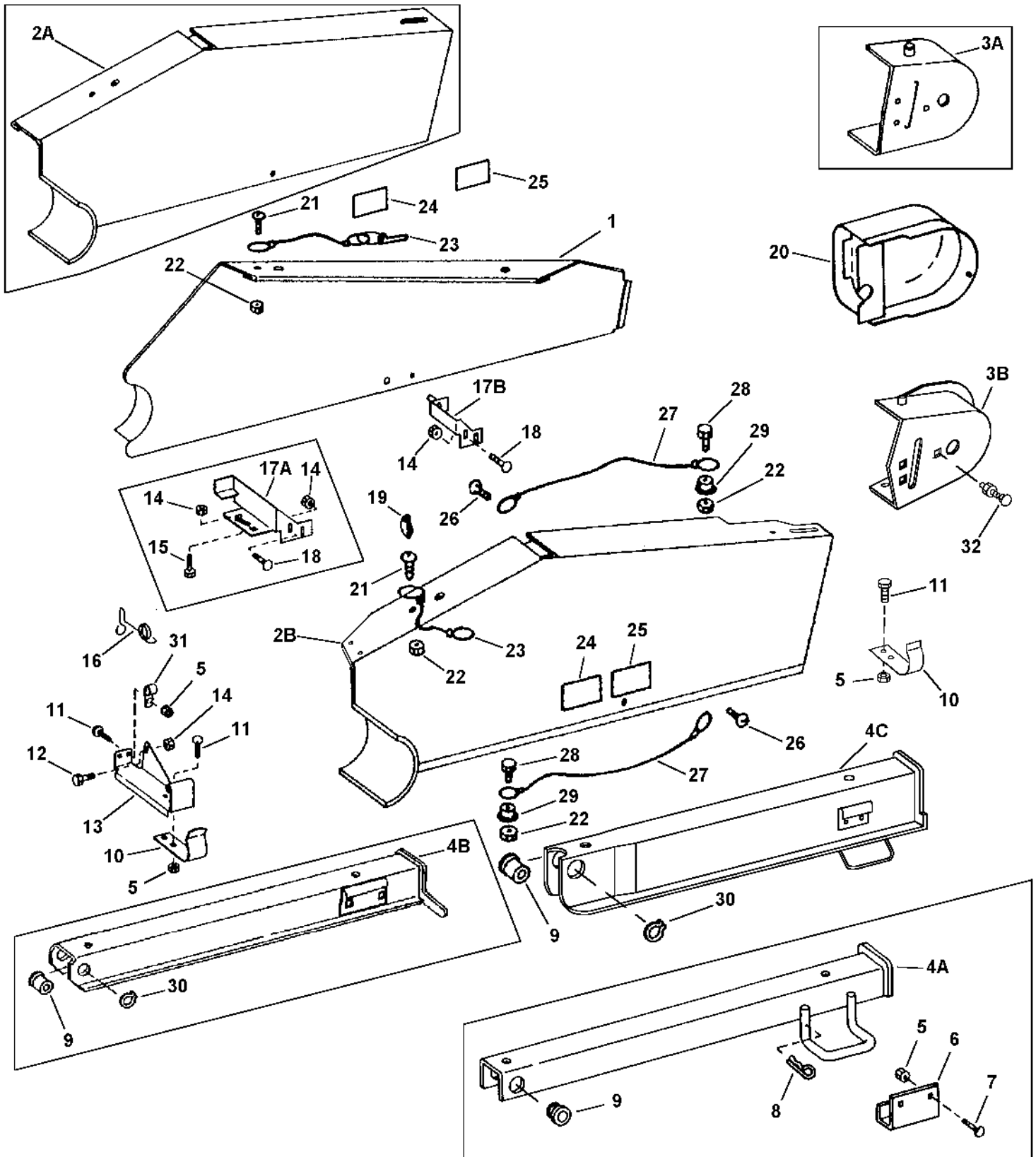
FIXED SPEED FEEDER HOUSE DRIVE TIGHTENER - CONTINUED

| KEY | PART NO. | PART NAME | QTY | SERIAL NO. | REMARKS |
|-----|----------|---------------|-----|------------|--|
| 1 | 03M7211 | BOLT | 2 | | M16 X 70 |
| 2 | AH97340 | ARM | 1 | | |
| 3 | M2952DN | SPACER | 2 | -660681 | 16.662 X 25.400 X 11.125 MM (21/32" X 1" X 7/16") (SUB L1730N) |
| | L1730N | BUSHING | 2 | | 16.662 X 25.400 X 12.700 MM (21/32" X 1" X 1/2") |
| 4 | 03M7248 | BOLT | 1 | | M12 X 90 |
| 5 | T20217 | WASHER | 1 | -641194 | 0.510" X 1.730" X 1/4" |
| 6 | 24H1413 | WASHER | 2 | | 57/64" X 1-3/8" X 0.048" |
| 7 | H89297 | BUSHING | 1 | | 13.487 X 22.200 X 53.340 MM (17/32" X 0.874" X 2.100") |
| 8 | H132825 | PIVOT | 1 | | |
| 9 | 24H1748 | WASHER | 1 | | 1/2" X 1-1/4" X 0.105" |
| 10 | A31867 | LOCK NUT | 1 | | M12 |
| 11 | AH94450 | IDLER | 2 | | |
| 12 | H126345 | BELT | 1 | | |
| 13 | 14M7291 | FLANGE NUT | 2 | | M16 |
| 14 | 14M7275 | NUT | 2 | | M12 |
| 15 | 24H1789 | WASHER | 1 | | 17/32" X 1-1/4" X 0.105" |
| 16 | A25695 | SPRING | 1 | | |
| 17 | H95499 | GAUGE | 1 | | |
| 18 | 24H1748 | WASHER | 1 | | 1/2" X 1-1/4" X 0.105" |
| 19 | 24M7240 | WASHER | 2 | | 13 X 25 X 3 MM |
| 20 | H126346 | BOLT | 1 | | |
| 21 | 14M7299 | FLANGE NUT | 1 | | M12 |
| 22 | AH139295 | BRACKET | 1 | | (SUB FOR AH130565) |
| 23 | 19M7789 | SCREW | 2 | | M12 X 30 |
| 24 | 14M7299 | FLANGE NUT | 2 | | M12 |
| 25 | H126371 | BRACE | 1 | | FRONT |
| 26 | H126370 | REINFORCEMENT | 1 | | |
| 27 | 03M7197 | BOLT | 1 | -641194 | M12 X 25 |
| | 03M7198 | BOLT | 1 | 641465- | M12 X 30 |
| 28 | H98655 | BUSHING | 2 | | |

6G6

FEEDER HOUSE

FEEDER HOUSE DRIVE SHIELDS AND SAFETY STOP
HP7439 -UN-03MAR98



HP7439

FEEDER HOUSE DRIVE SHIELDS AND SAFETY STOP - CONTINUED

| KEY | PART NO. | PART NAME | QTY | SERIAL NO. | REMARKS |
|-----|----------------|------------------------------------|----------|---------------|--|
| 1 | AH130894 | SHIELD | 1 | -640300 | R.H. |
| | AH138092 | POWERSHAFT SHIELD | 1 | 640301-650421 | (SUB AH141807) R.H. |
| | AH135962 | POWERSHAFT SHIELD | 1 | 641945-650468 | (SUB AH141807) R.H. (FOR HIGH CLEARANCE RICE FEEDER HOUSE) |
| | AH141807 | POWERSHAFT SHIELD | 1 | -671404 | |
| | AH151302 | POWERSHAFT SHIELD | 1 | 671405-2JUN97 | |
| | AH155737 | SHIELD | 1 | -15DEC7 | R.H., LT |
| | AH155736 | SHIELD | 1 | -15DEC7 | R.H., LL |
| | AH156377 | SHIELD | 1 | 29SEP7- | R.H. SERVICE ONLY |
| | AH160053 | SHIELD | 1 | 5JAN87- | R.H., LL |
| | AH160054 | SHIELD | 1 | 5JAN98- | R.H., LT |
| 2 | AH131762 | SHIELD | 1 | -640300 | (SUB AH134825) L.H. |
| | AH134825 | SHIELD | 1 | 640301-671608 | (SUB AH155245) L.H. |
| | AH139995 | SHIELD | 1 | 640501-671608 | L.H. (EXPORT ONLY - FRANCE) |
| | AH155245 | SHIELD | 1 | 671609-2JUN97 | (SUB AH156376) |
| | AH156376 | SHIELD | 1 | 29SEP7- | |
| 3A | AH130176 | SHIELD | 1 | -638003 | |
| | AH134826 | SHIELD | 1 | 638004-673379 | |
| 3B | AH156066 | SHIELD | 1 | 673380- | |
| 4A | AH128447 | STOP | 1 | -645611 | (SUB AH141152) |
| | AH141152 | STOP | 1 | 645612-651369 | (SUB AH143871) |
| | AH143871 | STOP | 1 | 651370-652320 | |
| 4B | AH144030 | STOP | 1 | 652321-5JAN98 | |
| 4C | AH157492 | STOP | 1 | 5JAN98- | |
| 5 | 14M7298 | FLANGE NUT | 8 | | M8 |
| 6 | H127625 | SUPPORT | 1 | -652320 | |
| 7 | 03M7183 | BOLT | 2 | | M8 X 16 |
| 8 | A15146 | SPRING LOCKING PIN | 1 | | |
| 9 | H135407 | BUSHING | 2 | -651369 | 31.750 X 39.500 X 12 MM (1-1/4" X 1.555" X 0.472") (SUB H150054) |
| | H150054 | BUSHING | 2 | | |
| 10 | H140122 | CLIP | 2 | | |
| 11 | 03M7184 | BOLT | 6 | -670300 | M8 X 20 |
| | 03M7183 | BOLT | 6 | | M8 X 16 |
| 12 | 19M7785 | SCREW | 1 | -670300 | M10 X 25 |
| | 19M7784 | SCREW | 1 | | M10 X 20 |
| 13 | H134085 | BRACKET | 1 | | |
| 14 | 14M7296 | FLANGE NUT | 4 | | M10 |
| 15 | 03M7191 | BOLT | 1 | -640300 | M10 X 25 |
| 16 | H127781 | SPRING | 1 | -640300 | |
| 17A | H134733 | BRACKET | 1 | -640300 | |
| 17B | AH136358 | RETAINER | 1 | 640301-29SEP7 | |
| 18 | 03M7190 | BOLT | 2 | | M10 X 20 |
| 19 | M72598 | QUICK LOCK PIN | 4 | | |
| 20 | AH139352 | POWERSHAFT SHIELD | 1 | 640301-650300 | (SUB H146766) |
| | H146766 | POWERSHAFT SHIELD | 1 | | |
| 21 | 21M7125 | SCREW | 2 | | M8 X 25 |
| 22 | 14M7298 | FLANGE NUT | 4 | | M8 |
| 23 | AH135290 | QUICK LOCK PIN | 2 | 640301- | |
| 24 | H137939 | LABEL | 1 | 640301- | HARNESS AND HOSE STORAGE |
| | H149063 | LABEL | 1 | 2JUN97- | SERVICE ONLY |
| 25 | H126397 | LABEL | 1 | 640301- | VARIABLE SPEED DRIVE |
| | H164537 | SIGN | 1 | 29SEP7- | SERVICE ONLY |
| 26 | 03M7186 | BOLT | 2 | | M8 X 30 |
| 27 | AH134121 | CABLE | 2 | 640301- | (INCLUDES R73290) |
| 28 | 21M7125 | SCREW | 2 | | M8 X 25 |
| 29 | M93425 | SPACER | 2 | 640301- | |
| 30 | Z56747 | SNAP RING | 2 | -652401 | |
| | H150454 | SNAP RING | 2 | 652402-660435 | (SUB 40M7058) |
| | 40M7058 | SNAP RING | 2 | | |
| 31 | AH89486 | CLIP | 1 | | |
| .. | BH81391 | COMPLETE GOODS/SHIP. BUNDLE | 1 | | RETROFIT - WIDE FEEDER HOUSE |
| .. | BH81447 | COMPLETE GOODS/SHIP. BUNDLE | 1 | | RETROFIT - WIDE FEEDER HOUSE, CONTOUR MASTER |

BH81391 (COMPLETE GOODS) RETROFIT - WIDE FEEDER HOUSE

BH81447 (COMPLETE GOODS) RETROFIT - WIDE FEEDER HOUSE, CONTOUR MASTER

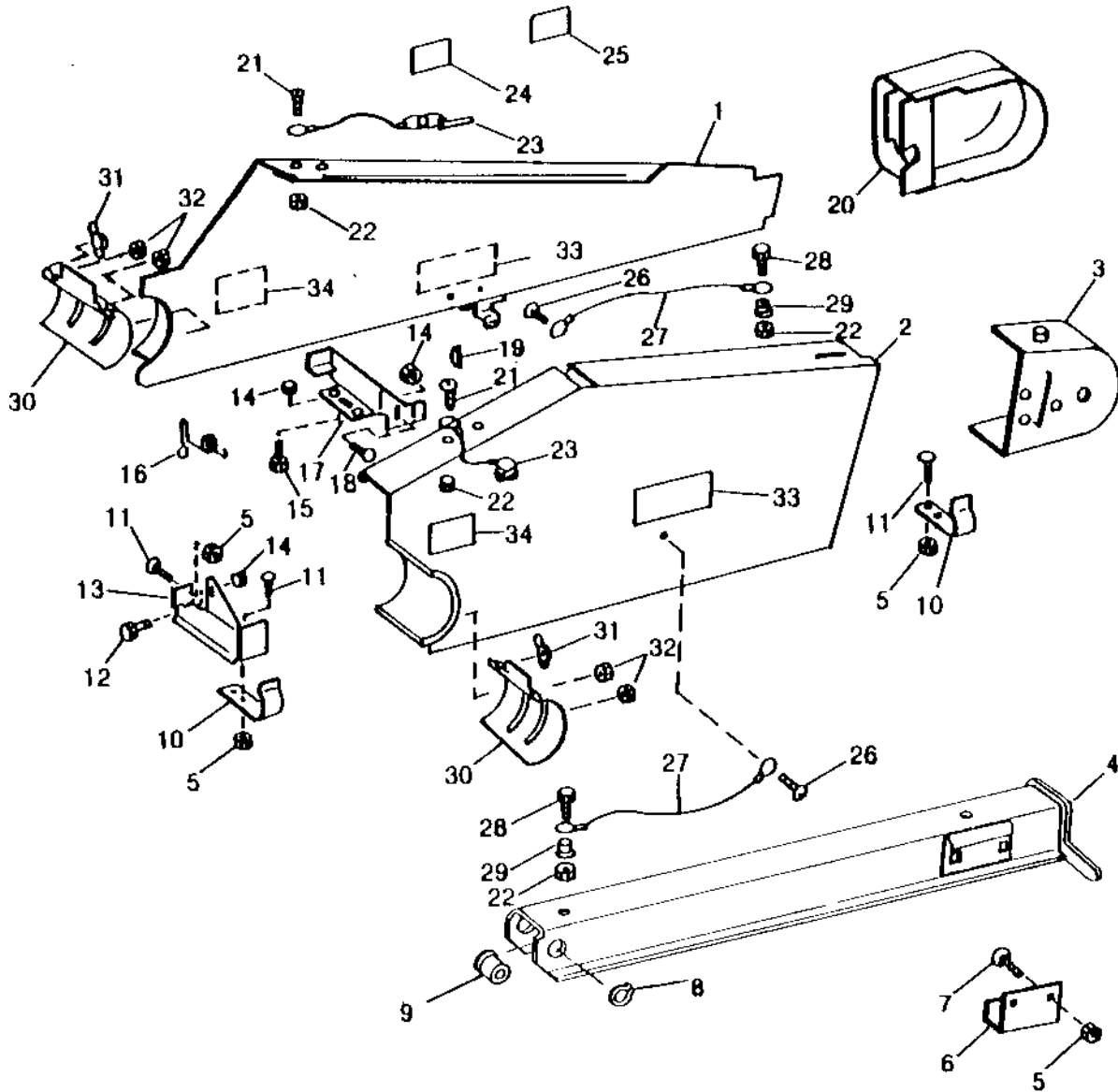
6G8

FEEDER HOUSE

FEEDER HOUSE DRIVE SHIELDS AND SAFETY STOP - CONTOUR MASTER

(660301-661261)

HP6245 -UN-04JAN96



HP6245

FEEDER HOUSE DRIVE SHIELDS AND SAFETY STOP - CONTOUR MASTER - CONTINUED
(660301-661261)

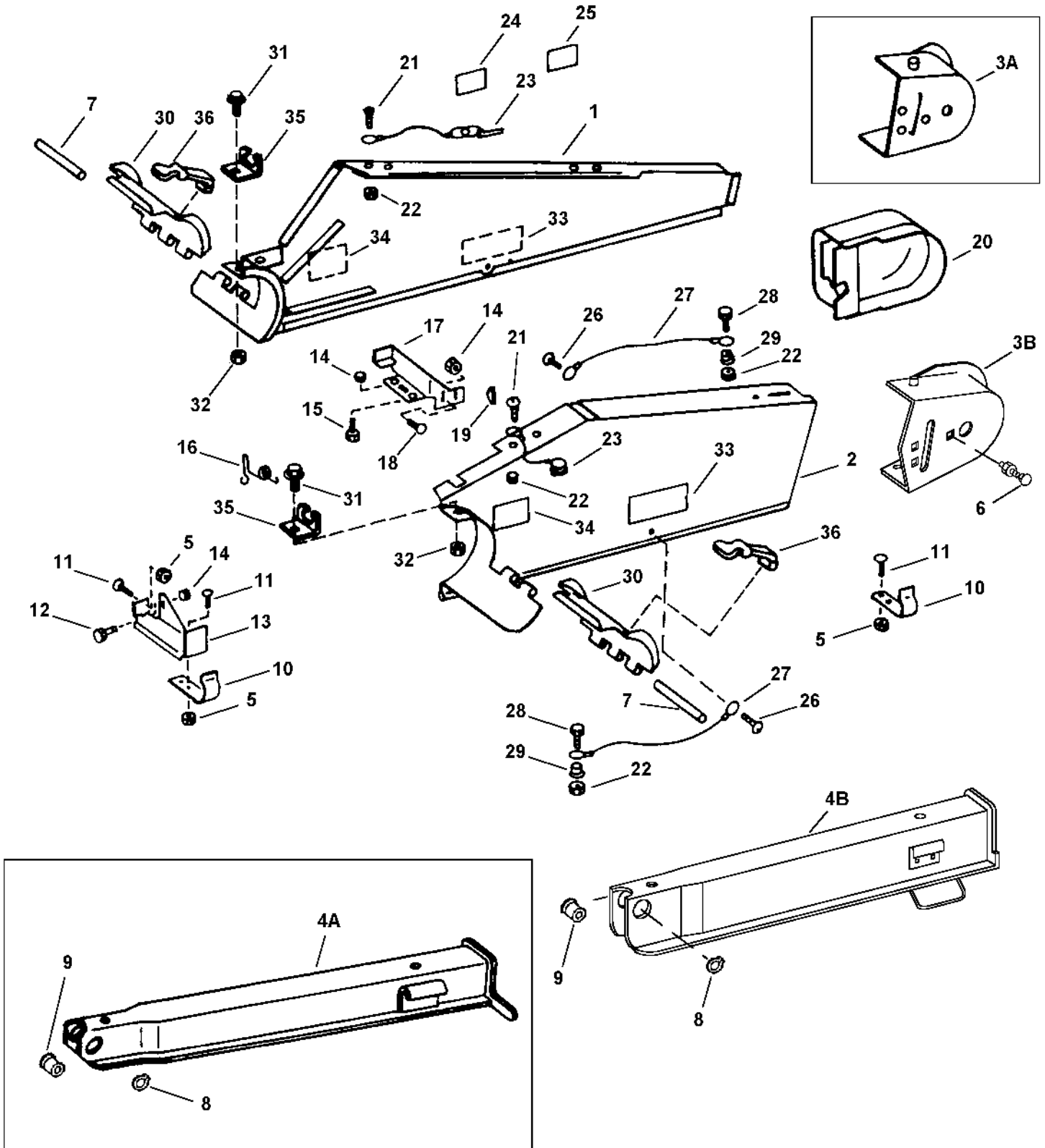
| KEY | PART NO. | PART NAME | QTY | SERIAL NO. | REMARKS |
|-----|----------|-------------------|-----|------------|---|
| 1 | AH156375 | SHIELD | 1 | | (SUB FOR AH145631, AH146197 AND AH151598) R.H. |
| 2 | AH156374 | SHIELD | 1 | | (SUB FOR AH145580, AH146198 AND AH149088) L.H. |
| 3 | AH134826 | SHIELD | 1 | | |
| 4 | AH144030 | STOP | 1 | | |
| 5 | 14M7298 | FLANGE NUT | 8 | | M8 |
| 6 | H150055 | SUPPORT | 1 | | |
| 7 | 03M7183 | BOLT | 2 | | M8 X 16 |
| 8 | H150454 | SNAP RING | 1 | -660435 | (SUB 40M7058) |
| | 40M7058 | SNAP RING | 1 | | |
| 9 | H150054 | BUSHING | 2 | | |
| 10 | H140122 | CLIP | 2 | | |
| 11 | 03M7184 | BOLT | 6 | -670300 | M8 X 20 |
| | 03M7183 | BOLT | 6 | | M8 X 16 |
| 12 | 19M7785 | SCREW | 1 | -670300 | M10 X 25 |
| | 19M7784 | SCREW | 1 | | M10 X 20 |
| 13 | H134085 | BRACKET | 1 | | |
| 14 | 14M7296 | FLANGE NUT | 4 | | M10 |
| 15 | 03M7191 | BOLT | 1 | | |
| 16 | H127781 | SPRING | 1 | | |
| 17 | AH136358 | RETAINER | 1 | -29SEP7 | |
| 18 | 03M7190 | BOLT | 2 | | M10 X 20 |
| 19 | M72598 | QUICK LOCK PIN | 4 | -660300 | |
| 20 | H146766 | POWERSHAFT SHIELD | 1 | | R.H. |
| 21 | 21M7125 | SCREW | 3 | | M8 X 25 |
| 22 | 14M7298 | FLANGE NUT | 4 | | M8 |
| 23 | AH135290 | QUICK LOCK PIN | 3 | | |
| 24 | H137939 | LABEL | 1 | | (HARNESS AND HOSE STORAGE) |
| 25 | H126397 | LABEL | 1 | | (VARIABLE SPEED DRIVE) |
| 26 | 03M7186 | BOLT | 2 | | M8 X 30 |
| 27 | AH134121 | CABLE | 1 | | (INCLUDES R73290) |
| 28 | 21M7125 | SCREW | 2 | | M8 X 25 |
| 29 | M93425 | SPACER | 2 | | |
| 30 | H150335 | SHIELD | 2 | -661261 | (SUB H151757) |
| | H151757 | SHIELD | 2 | | |
| 31 | 14M7020 | WING NUT | 2 | | M8 |
| 32 | 19M7396 | CAP SCREW | 4 | | M16 X 45 |
| 33 | H149063 | LABEL | 2 | | "DANGER" |
| 34 | H150434 | LABEL | 2 | | (LUBE) |

6G10

FEEDER HOUSE

FEEDER HOUSE DRIVE SHIELDS AND SAFETY STOP - CONTOUR MASTER

(661262-)
HP7440 -UN-03MAR98



HP7440

6G11

FEEDER HOUSE

FEEDER HOUSE DRIVE SHIELDS AND SAFETY STOP - CONTOUR MASTER - CONTINUED

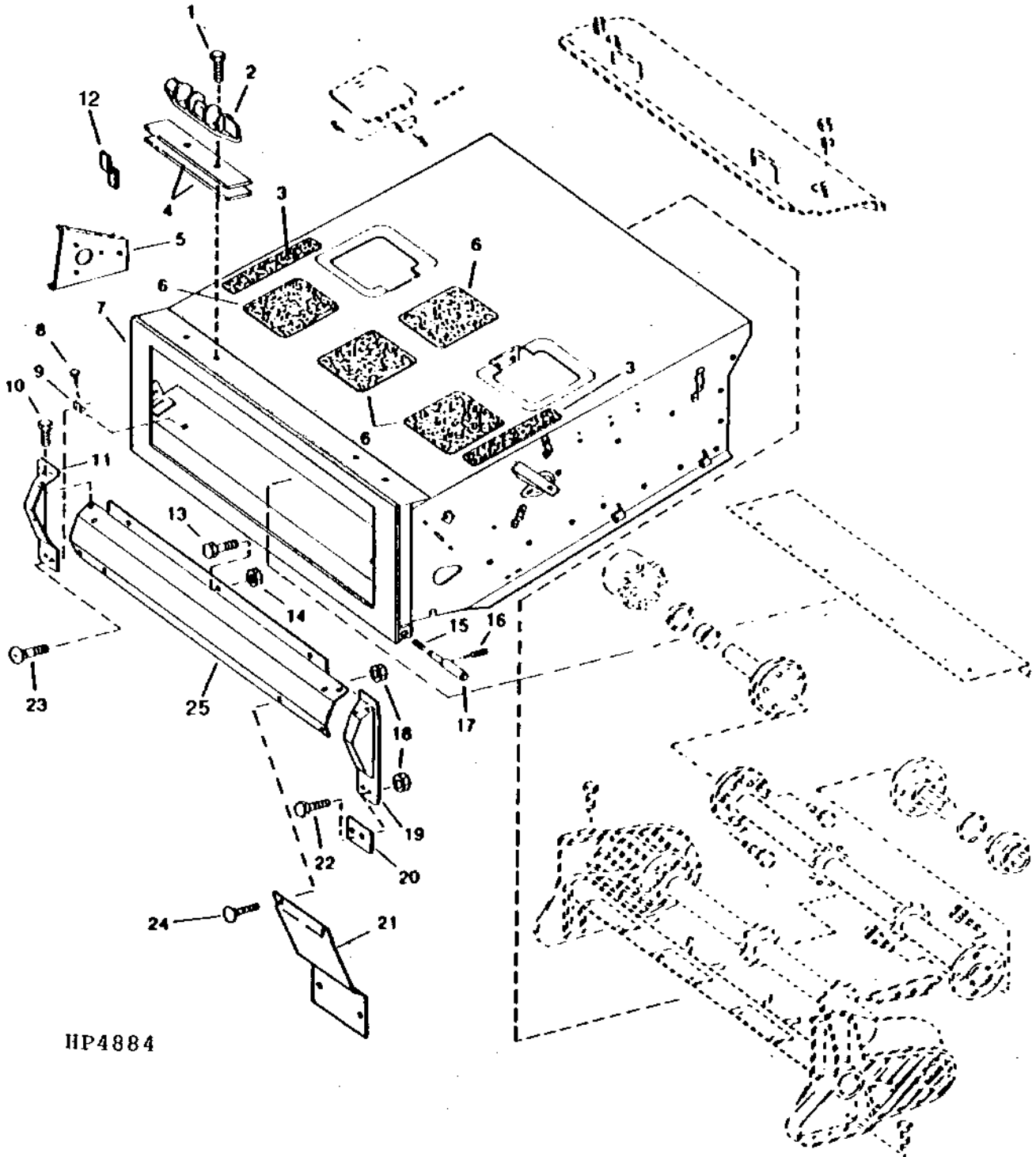
(661262-)

| KEY | PART NO. | PART NAME | QTY | SERIAL NO. | REMARKS |
|-----|----------------|------------------------------------|-----|---------------|---|
| 1 | AH146197 | SHIELD | 1 | -671404 | R.H. |
| | AH151598 | SHIELD | 1 | 671405-29SEP7 | |
| | AH156375 | SHIELD | 1 | 29SEP7- | |
| 2 | AH146198 | SHIELD | 1 | -671404 | L.H. |
| | AH149088 | SHIELD | 1 | 671405-673197 | |
| | AH156374 | SHIELD | 1 | 673198- | |
| 3A | AH134826 | SHIELD | 1 | -673379 | |
| 3B | AH156066 | SHIELD | 1 | 673380- | |
| 4A | AH144030 | STOP | 1 | 5JAN98- | |
| 4B | AH157492 | STOP | 1 | 5JAN98- | |
| 5 | 14M7298 | FLANGE NUT | 6 | | M8 |
| 6 | 03M7185 | BOLT | 2 | 673380- | M8 X 25 |
| | 14M7298 | FLANGE NUT | 2 | 673380- | |
| 7 | | PIN | 2 | | (MAKE FROM H76083) (CUT TO 6.88 IN. LENGTH) |
| 8 | 40M7058 | SNAP RING | 1 | | |
| 9 | H150054 | BUSHING | 2 | | |
| 10 | H140122 | CLIP | 2 | | |
| 11 | 03M7184 | BOLT | 6 | -670300 | M8 X 20 |
| | 03M7183 | BOLT | 6 | 670301- | M8 X 16 |
| 12 | 19M7785 | SCREW | 1 | -670300 | M10 X 25 |
| | 19M7784 | SCREW | 1 | 670301- | M10 X 20 |
| 13 | H134085 | BRACKET | 1 | | |
| 14 | 14M7296 | FLANGE NUT | 4 | | M10 |
| 15 | 03M7191 | BOLT | 1 | | |
| 16 | H127781 | SPRING | 1 | | |
| 17 | AH136358 | RETAINER | 1 | -29SEP7 | |
| 18 | 03M7190 | BOLT | 2 | | M10 X 20 |
| 19 | M72598 | QUICK LOCK PIN | 4 | -660300 | |
| 20 | H146766 | POWERSHAFT SHIELD | 1 | | R.H. |
| 21 | 21M7125 | SCREW | 3 | | M8 X 25 |
| 22 | 14M7298 | FLANGE NUT | 4 | | M8 |
| 23 | AH135290 | QUICK LOCK PIN | 3 | | |
| 24 | H137939 | LABEL | 1 | | (HARNES AND HOSE STORAGE) |
| 25 | H126397 | LABEL | 1 | | (VARIABLE SPEED DRIVE) |
| 26 | 03M7186 | BOLT | 2 | | M8 X 30 |
| 27 | AH134121 | CABLE | 1 | | (INCLUDES R73290) |
| 28 | 21M7125 | SCREW | 2 | | M8 X 25 |
| 29 | M93425 | SPACER | 2 | | |
| 30 | H151757 | SHIELD | 2 | -671404 | |
| | H156379 | SHIELD | 2 | 671405- | |
| 31 | 19M7775 | SCREW | 2 | | M6 X 16 |
| 32 | 14M7397 | LOCK NUT | 2 | | M6 |
| 33 | H149063 | LABEL | 2 | | "DANGER" |
| 34 | H150434 | LABEL | 2 | | (LUBE) |
| 35 | H141549 | CLAMP | 2 | | |
| 36 | A44990 | LATCH | 2 | | |
| .. | AH152132 | HYDRAULIC CYLINDER | 1 | 671405- | (FRENCH) SERVICE ONLY |
| .. | BH81391 | COMPLETE GOODS/SHIP. BUNDLE | 1 | | RETROFIT - WIDE FEEDER HOUSE |
| .. | BH81447 | COMPLETE GOODS/SHIP. BUNDLE | 1 | | RETROFIT - WIDE FEEDER HOUSE, CONTOUR MASTER |

6G12

FEEDER HOUSE

FEEDER HOUSE FRAME
HP4884 -UN-01JAN94



HP4884

6G13

FEEDER HOUSE

FEEDER HOUSE FRAME - CONTINUED

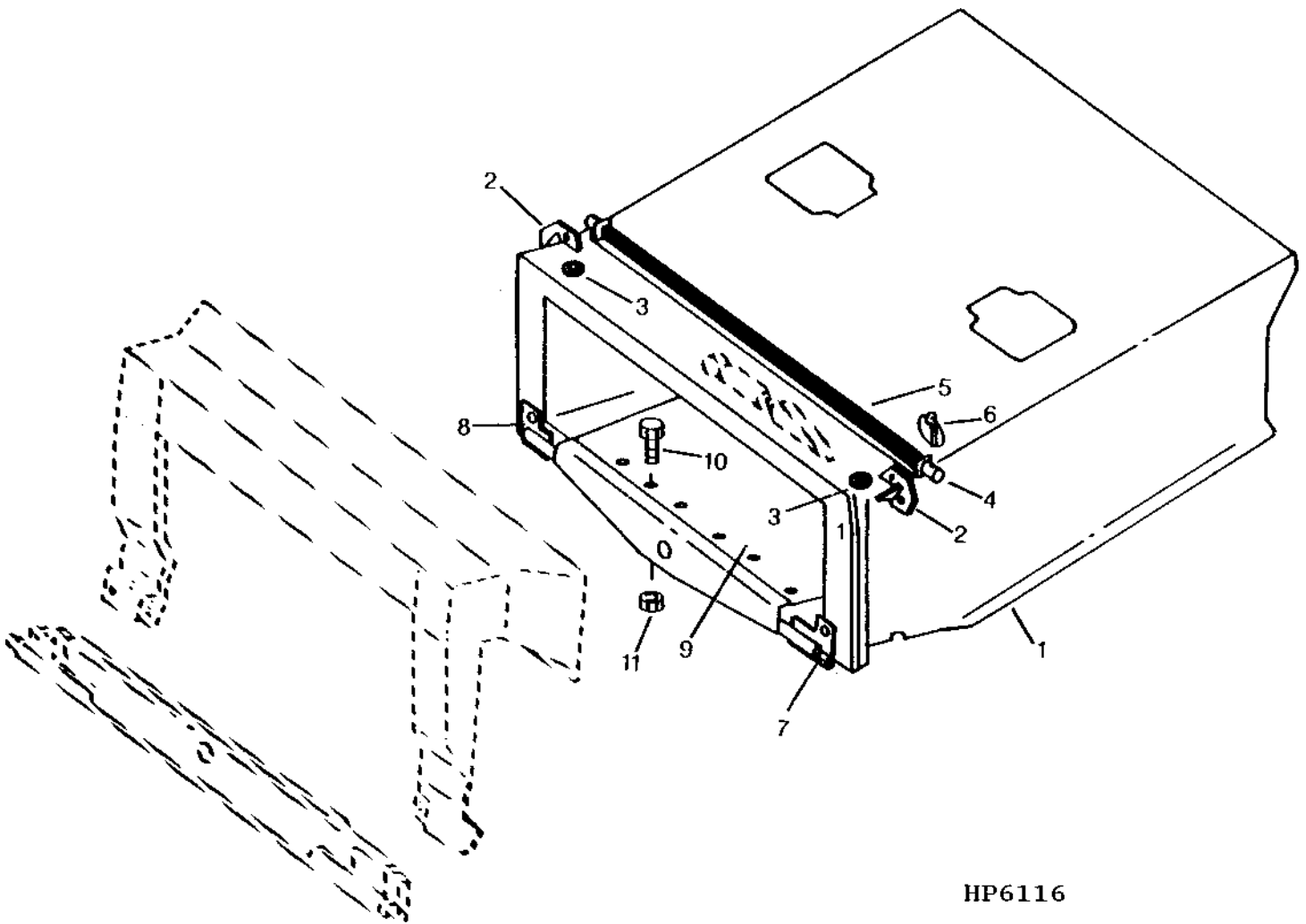
| KEY | PART NO. | PART NAME | QTY | SERIAL NO. | REMARKS |
|-----|----------------|------------------------------------|----------|---------------|--|
| 1 | 19M7814 | SCREW | 4 | | M12 X 50 |
| 2 | H93556 | CLAMP | 2 | -671068 | (SUB H159975) |
| | H159975 | BLOCK CLAMP | 1 | 671069- | |
| 3 | H136013 | MAT | 2 | -671068 | |
| | H131743 | MAT | 1 | 671069- | |
| 4 | H175703 | SHIM | 4 | | (SUB FOR H133843) |
| 5 | H141835 | REINFORCEMENT | 2 | 635838- | |
| 6 | H136014 | MAT | 3 | | |
| 7 | AH125513 | FRAME | 1 | -640300 | (SUB AH137830) |
| | AH137830 | FRAME | 1 | 640301-645306 | (SUB AH139515) |
| | AH139515 | FRAME | 1 | | (SUB AH158145) |
| | AH158145 | FRAME | 1 | 22DEC7- | |
| | AH132204 | FRAME | 1 | -638003 | (SUB AH137840) EXPORT ONLY - FRANCE |
| | AH137840 | FRAME | 1 | 638004-645306 | (SUB AH139517) EXPORT ONLY - FRANCE |
| | AH139517 | FRAME | 1 | | EXPORT ONLY - FRANCE |
| | AH139640 | FRAME | 1 | 641945- | (INCLUDES H84869) RICE |
| 8 | 03M7192 | BOLT | 4 | | M10 X 30 |
| 9 | H134896 | ANGLE | 2 | -640681 | |
| | H144063 | ANGLE | 2 | 640682- | |
| 10 | 03M7190 | BOLT | 1 | | M10 X 20 |
| 11 | H123636 | DEFLECTOR | 1 | | |
| | AH133163 | SHIELD | 1 | | EXPORT ONLY - FRANCE |
| 12 | Z35149 | HOLDER | 2 | | EXPORT ONLY - FRANCE |
| 13 | 19M7784 | SCREW | 6 | | M10 X 20 |
| 14 | 14M7296 | FLANGE NUT | 6 | | M10 |
| 15 | 124424 | SPRING | 2 | | |
| 16 | H134140 | BOLT | 2 | | |
| 17 | H130040 | PIN | 2 | | 25.400 X 277.500 MM (1" X 10.925") |
| 18 | 14M7296 | FLANGE NUT | 4 | | M10 |
| 19 | H123637 | DEFLECTOR | 1 | | |
| | AH133163 | SHIELD | 1 | | EXPORT ONLY - FRANCE |
| 20 | H141713 | WEAR PLATE | 2 | 635838- | DOMESTIC AND EXPORT - FRANCE |
| 21 | H123638 | EXTENSION | 2 | | RICE OPT.- REQUIRES TWO MORE H134896 |
| 22 | 19M7784 | SCREW | 7 | | M10 X 20 |
| 23 | 03M7191 | BOLT | 2 | -630005 | M10 X 25 |
| 24 | 03M7190 | BOLT | 2 | -638005 | M10 X 20 |
| 25 | H123632 | SHIELD | 1 | | |
| | H138219 | SHIELD | 1 | | EXPORT ONLY |
| .. | BH79543 | COMPLETE GOODS/SHIP. BUNDLE | 1 | | FEEDER HOUSE EXTENSION - RICE CLOSURE |

6G14

FEEDER HOUSE

FEEDER HOUSE SHELL, WEAR PLATES AND SEALS - CONTOUR MASTER

(660301-)
HP6116 -UN-29JUN95



HP6116

6G15

FEEDER HOUSE

FEEDER HOUSE SHELL, WEAR PLATES AND SEALS - CONTOUR MASTER - CONTINUED
(660301-)

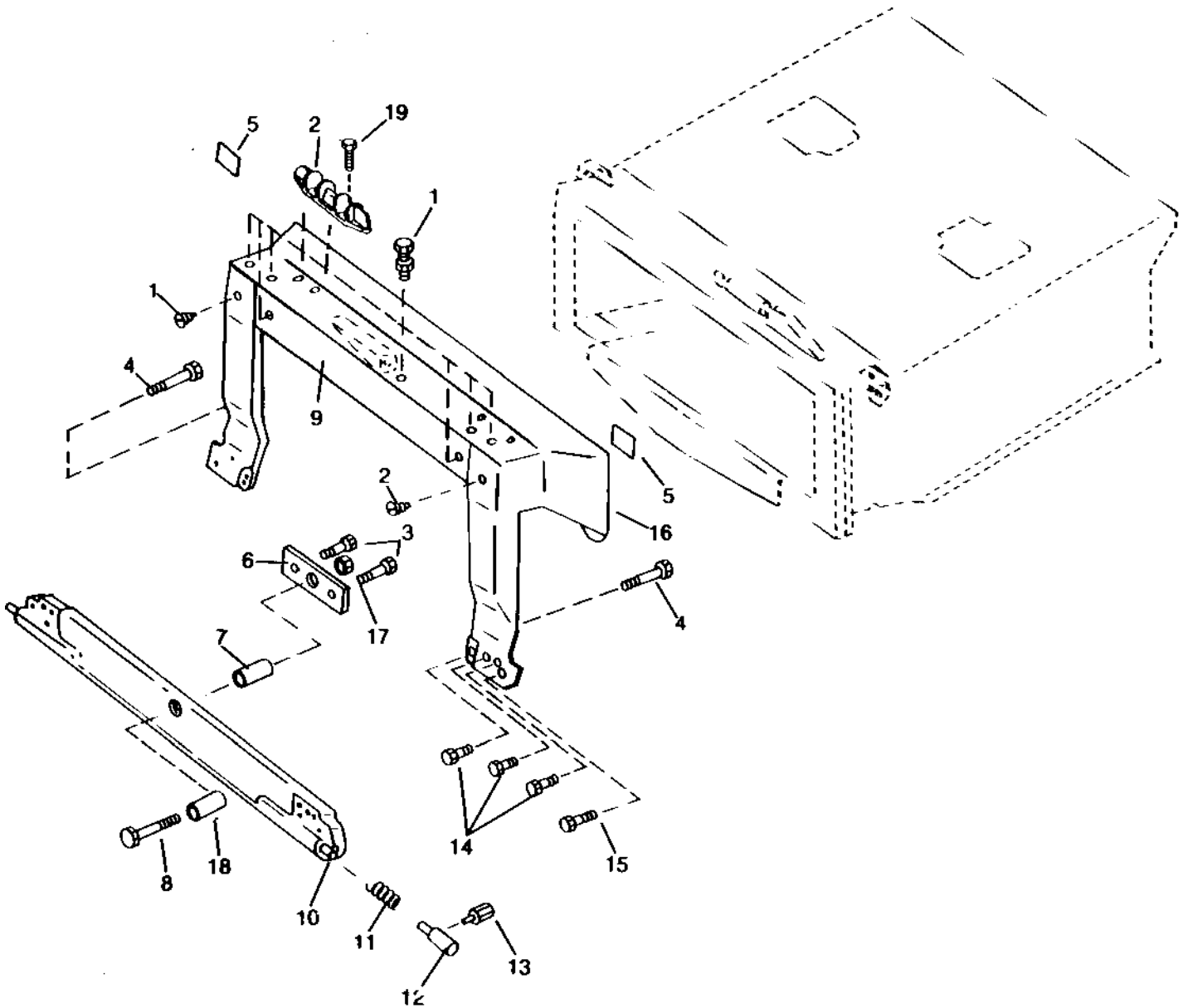
| KEY | PART NO. | PART NAME | QTY | SERIAL NO. | REMARKS |
|-----|----------|--------------------|-----|------------|--------------------|
| 1 | AH143032 | FRAME | 1 | | |
| 2 | H149461 | WEAR PLATE | 2 | | |
| 3 | R495R | O-RING | 2 | | (USE WITH H149461) |
| 4 | H144824 | PIPE | 1 | | |
| 5 | H148999 | SEAL | 1 | | |
| 6 | A15147 | SPRING LOCKING PIN | 2 | -661322 | |
| | M72598 | QUICK LOCK PIN | 2 | 661322- | |
| 7 | H149459 | WEAR PLATE | 1 | | L.H. LOWER |
| 8 | H149460 | WEAR PLATE | 1 | | R.H. LOWER |
| 9 | H142862 | WEAR PLATE | 1 | | |
| 10 | 03M7184 | BOLT | 7 | | M8 X 20 |
| 11 | 14M7298 | FLANGE NUT | 7 | | M8 |

6G16

FEEDER HOUSE

FEEDER HOUSE FRAME, TILT BEAM AND CLOSURE PLATES - CONTOUR MASTER

(660301-)
HP6057 -UN-27APR95



HP6057

6G17

FEEDER HOUSE

FEEDER HOUSE FRAME, TILT BEAM AND CLOSURE PLATES - CONTOUR MASTER - CONTINUED

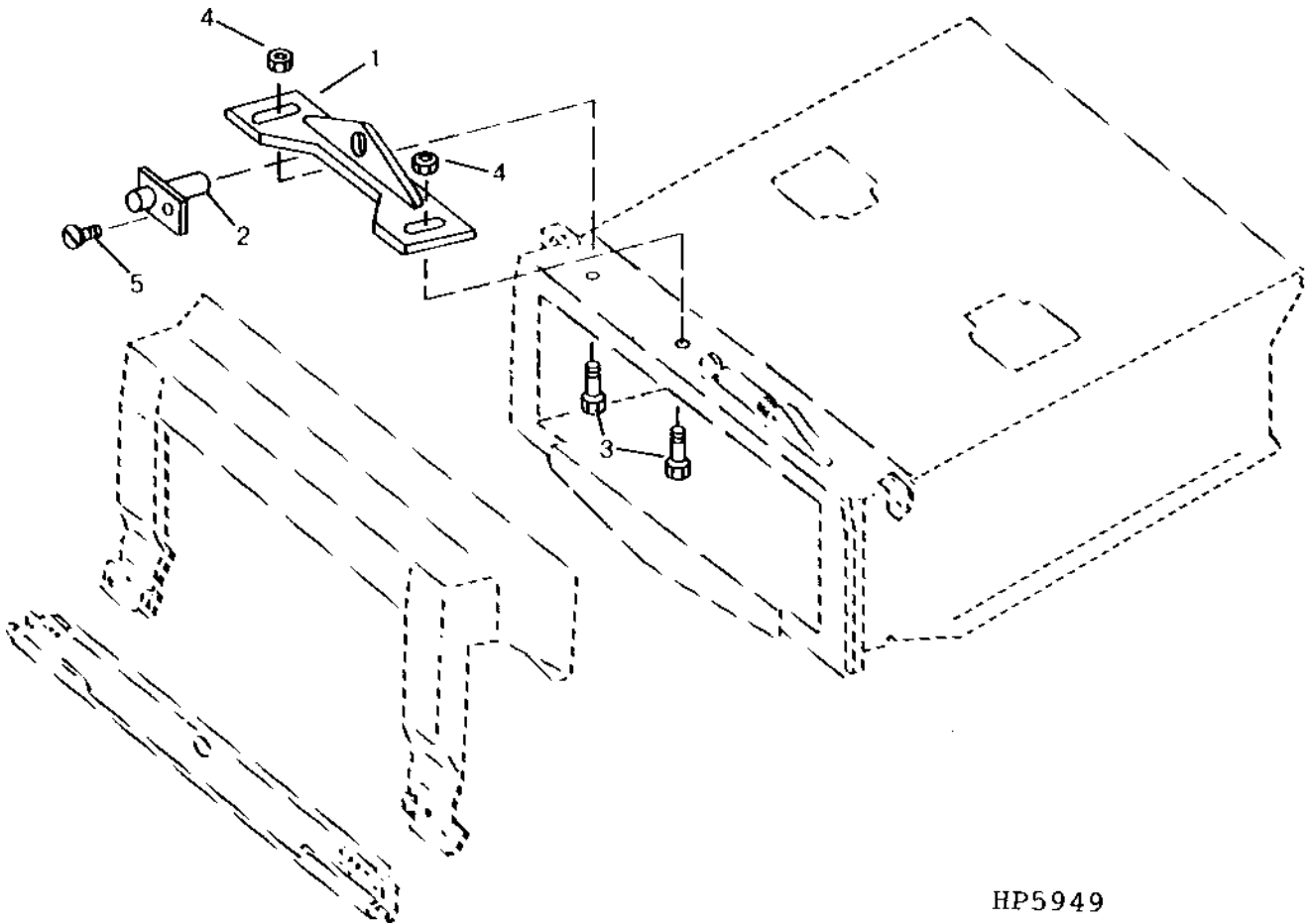
(660301-)

| KEY | PART NO. | PART NAME | QTY | SERIAL NO. | REMARKS |
|-----|----------|-------------------|-----|------------|-----------------------|
| 1 | 19M7784 | SCREW | 9 | | M10 X 20 |
| | 14M7400 | LOCK NUT | 7 | | M10 |
| 2 | H93556 | CLAMP | 2 | -671068 | (SUB H159975) |
| | H159975 | BLOCK CLAMP | 1 | | |
| 3 | 19M7788 | SCREW | 2 | | M12 X 25 |
| 4 | 19M7815 | SCREW | 2 | | M12 X 60 |
| 5 | H151607 | SIGN | 4 | | "CAUTION" HEADER TILT |
| 6 | H149518 | STRAP | 1 | | |
| 7 | H149517 | PIN | 1 | | |
| 8 | 19M7921 | CAP SCREW | 1 | | M20 X 150 |
| 9 | H142831 | WEATHER ENCLOSURE | 1 | | |
| 10 | AH145282 | FRAME | 1 | | (SUB AH162724) |
| | AH162724 | FRAME | 1 | | |
| 11 | 124424 | SPRING | 2 | | |
| 12 | H130040 | PIN | 2 | | |
| 13 | H149523 | BOLT | 2 | | |
| 14 | 19M7844 | SCREW | 6 | | M16 X 45 |
| | T43514 | GASKET | 1 | | |
| 15 | 19M7792 | SCREW | 2 | | M16 X 30 |
| | T43514 | GASKET | 1 | | |
| 16 | AH145281 | FRAME | 1 | | |
| 17 | 14M7300 | FLANGE NUT | 1 | | M20 |
| 18 | H142870 | BUSHING | 1 | | |
| 19 | 19M7403 | CAP SCREW | 4 | -660857 | M12 X 35 |
| | 19M7790 | SCREW | 4 | 660858- | M12 X 35 |

6G18

FEEDER HOUSE

LOCKOUT ASSEMBLY - CONTOUR MASTER (OPTIONAL)
(BELT PICK-UP PLATFORM AND 4-ROW CORN HEADS ONLY)
(660301-)
HP5949 -UN-02MAY95



6G19

FEEDER HOUSE

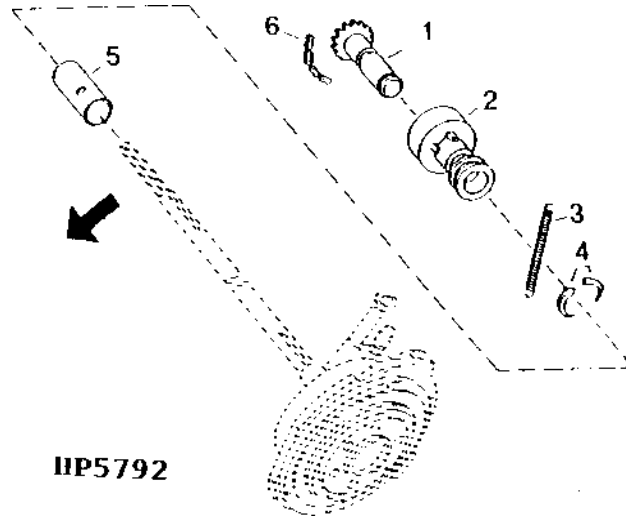
LOCKOUT ASSEMBLY - CONTOUR MASTER (OPTIONAL) - CONTINUED
(BELT PICK-UP PLATFORM AND 4-ROW CORN HEADS ONLY)
(660301-)

| KEY | PART NO. | PART NAME | QTY | SERIAL NO. | REMARKS |
|-----|----------------|------------------------------------|----------|------------|-------------------------|
| 1 | AH145762 | BRACKET | 1 | | |
| 2 | AH145763 | PIN | 1 | | |
| 3 | 03M7200 | BOLT | 2 | -660857 | M12 X 40 |
| | 03M7205 | BOLT | 2 | 660858- | M16 X 40 |
| 4 | 14M7299 | FLANGE NUT | 2 | -660857 | M12 |
| | 14M7291 | FLANGE NUT | 2 | 660858- | M16 |
| 5 | 19M7924 | SCREW | 1 | | M8 X 16 |
| .. | BH79899 | COMPLETE GOODS/SHIP. BUNDLE | 1 | | COUPLER ASSEMBLY |

6G20

FEEDER HOUSE

LOCKOUT ADAPTER KIT - CONTOUR MASTER
(BELT PICK-UP PLATFORM AND 4-ROW CORNHEADS ONLY)
 (660301-)
 HP5792 -UN-15OCT94



| KEY | PART NO. | PART NAME | QTY | SERIAL NO. | REMARKS |
|-----|----------------|------------------------------------|----------|--|---------|
| 1 | AH142553 | DRIVE SPROCKET | 1 | | |
| 2 | H148818 | QUICK COUPLER | 1 | 14 TOOTH | |
| 3 | H128118 | SPRING | 1 | | |
| 4 | E62951 | UNIVERSAL JOINT BEARING | 1 | | |
| 5 | H127603 | TUBE | 2 | | |
| 6 | AN102383 | LINK CHAIN | 1 | (13 LINKS) | |
| .. | BH79899 | COMPLETE GOODS/SHIP. BUNDLE | 1 | COUPLER ASSEMBLY | |
| .. | BH81268 | COMPLETE GOODS/SHIP. BUNDLE | 1 | COUPLER ASSEMBLY FOR 1997 AND LATER MACHINES WITH LATERAL TILT FEEDER HOUSE | |

MEMORANDA

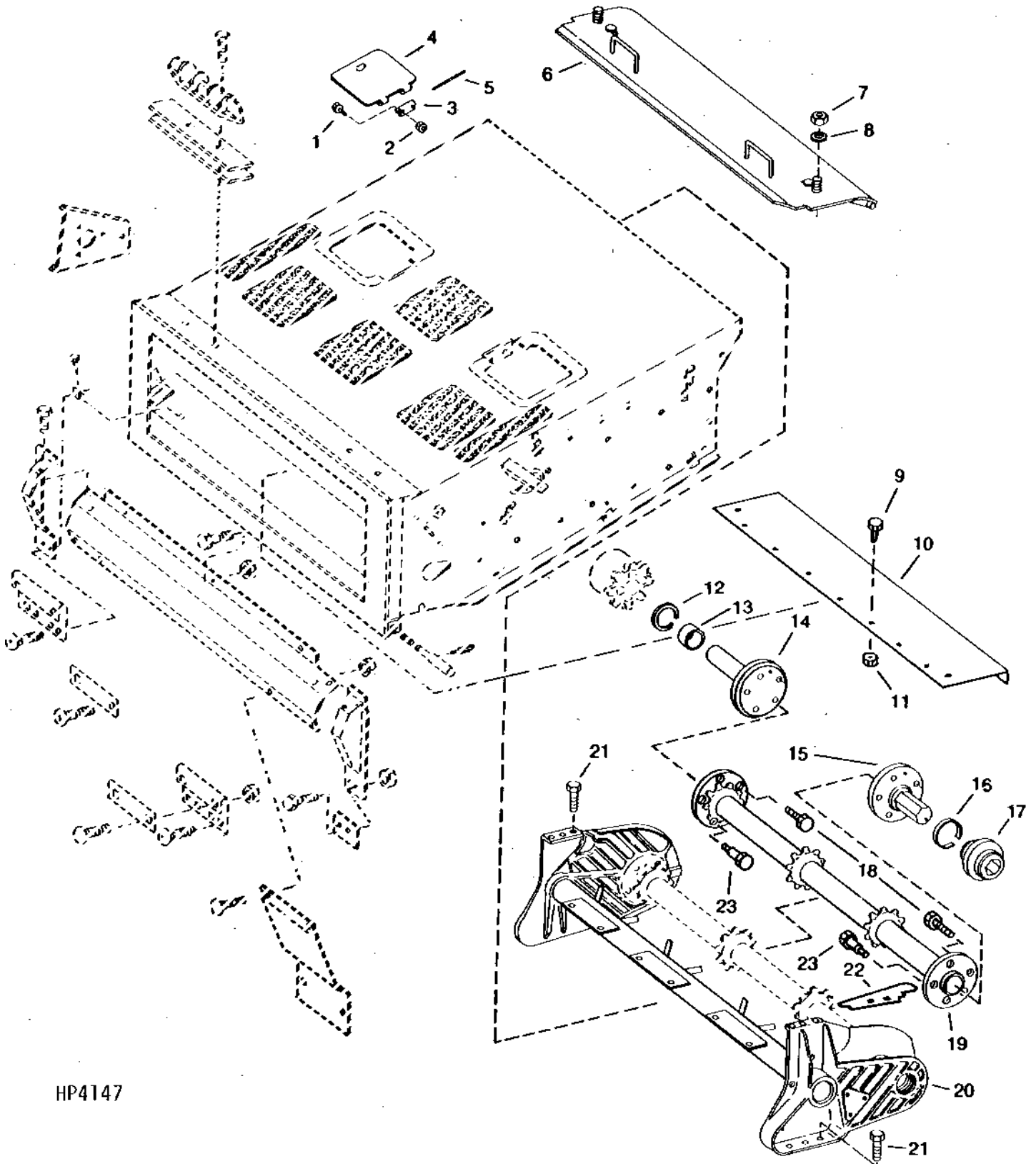
6G21

FEEDER HOUSE

FEEDER HOUSE UPPER SHAFT

(-645300)

HP4147 -UN-01JAN94



HP4147

6G22

FEEDER HOUSE

FEEDER HOUSE UPPER SHAFT - CONTINUED

(-645300)

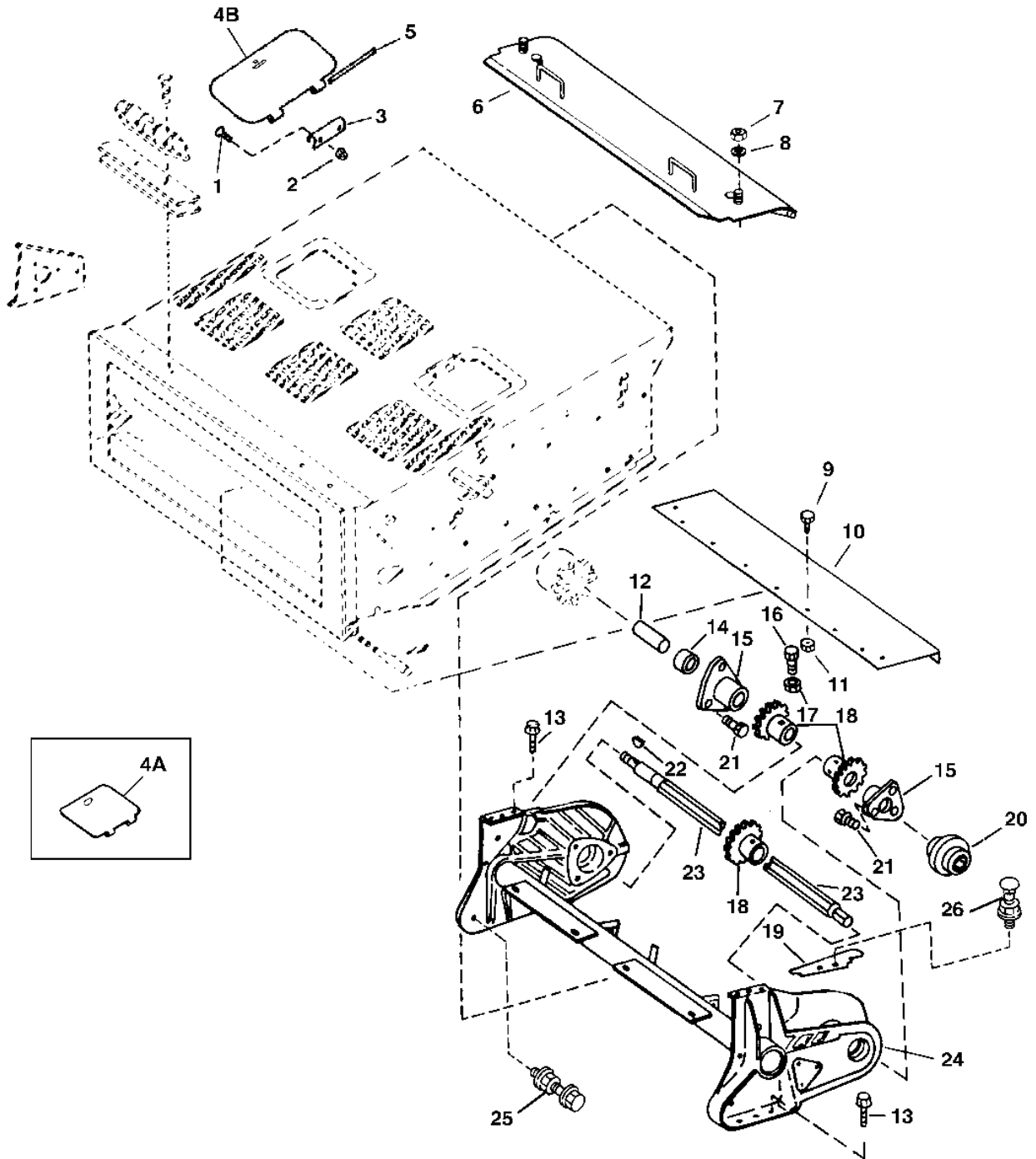
| KEY | PART NO. | PART NAME | QTY | SERIAL NO. | REMARKS |
|-----|----------|----------------|-----|---------------|---|
| 1 | 03M7183 | BOLT | 4 | | M8 X 16 |
| 2 | 14M7298 | FLANGE NUT | 4 | | M8 |
| 3 | H133989 | HINGE | 2 | | |
| 4 | H133990 | DOOR | 2 | | |
| 5 | H137322 | PIN | 2 | -637364 | (SUB H75985) |
| | H75985 | DOWEL PIN | 2 | 637365-646204 | 6.350 X 174.752 MM (1/4" X 6.880") (SUB H76083) |
| | H76083 | PIN | 2 | | 6.350 X 863.600 MM (1/4" X 34") |
| 6 | AH126416 | DOOR | 1 | | |
| 7 | 14M7401 | LOCK NUT | 2 | | M12 |
| 8 | 24M7047 | WASHER | 2 | | 13 X 24 X 2.500 MM |
| 9 | 03M7184 | BOLT | 7 | | M8 X 20 |
| 10 | H143455 | WEAR PLATE | 1 | 636520-640300 | |
| | H144051 | WEAR PLATE | 1 | 640301- | |
| 11 | 14M7298 | FLANGE NUT | 7 | | M8 |
| 12 | 40M7090 | SNAP RING | 1 | | |
| 13 | AH109788 | ROLLER BEARING | 1 | | |
| 14 | H129681 | SHAFT | 1 | | |
| 15 | H129658 | DRIVE SHAFT | 1 | | |
| 16 | 32184 | SNAP RING | 1 | | |
| 17 | AE46606 | BEARING | 1 | -642112 | |
| | JD9373 | BALL BEARING | 1 | 642113- | |
| 18 | 19M7938 | CAP SCREW | 6 | | M10 X 20 |
| 19 | AH125195 | SHAFT | 1 | | |
| 20 | AH130869 | TUBE | 1 | -642112 | (SUB AH137223, H143352, (4) H118583, (8) H118776, (8) 14H732, JD10020, JD9373, (2) H147593, (6) 19M7788, (3) H145463, H143354) FIXED SPEED |
| | AH132829 | TUBE | 1 | -642112 | (SUB AH137223, H143352, (4) H118583, (8) H118776, (8) 14H732, JD10020, JD9373, (2) H147593, (6) 19M7788, (3) H145463, H143354) VARIABLE SPEED |
| | AH137223 | TUBE | 1 | 642113-645772 | (SUB AH141398) |
| | AH141398 | TUBE | 1 | | |
| 21 | 19M7895 | SCREW | 12 | | M20 X 50 |
| 22 | H133508 | BRACKET | 4 | -645407 | |
| | H133508 | BRACKET | 2 | 645408- | |
| 23 | H139837 | BOLT | 4 | | M10 X 20 |

6G23

FEEDER HOUSE

FEEDER HOUSE UPPER SHAFT

(645301-)
HP6530 -UN-23AUG96



HP6530

6G24

FEEDER HOUSE

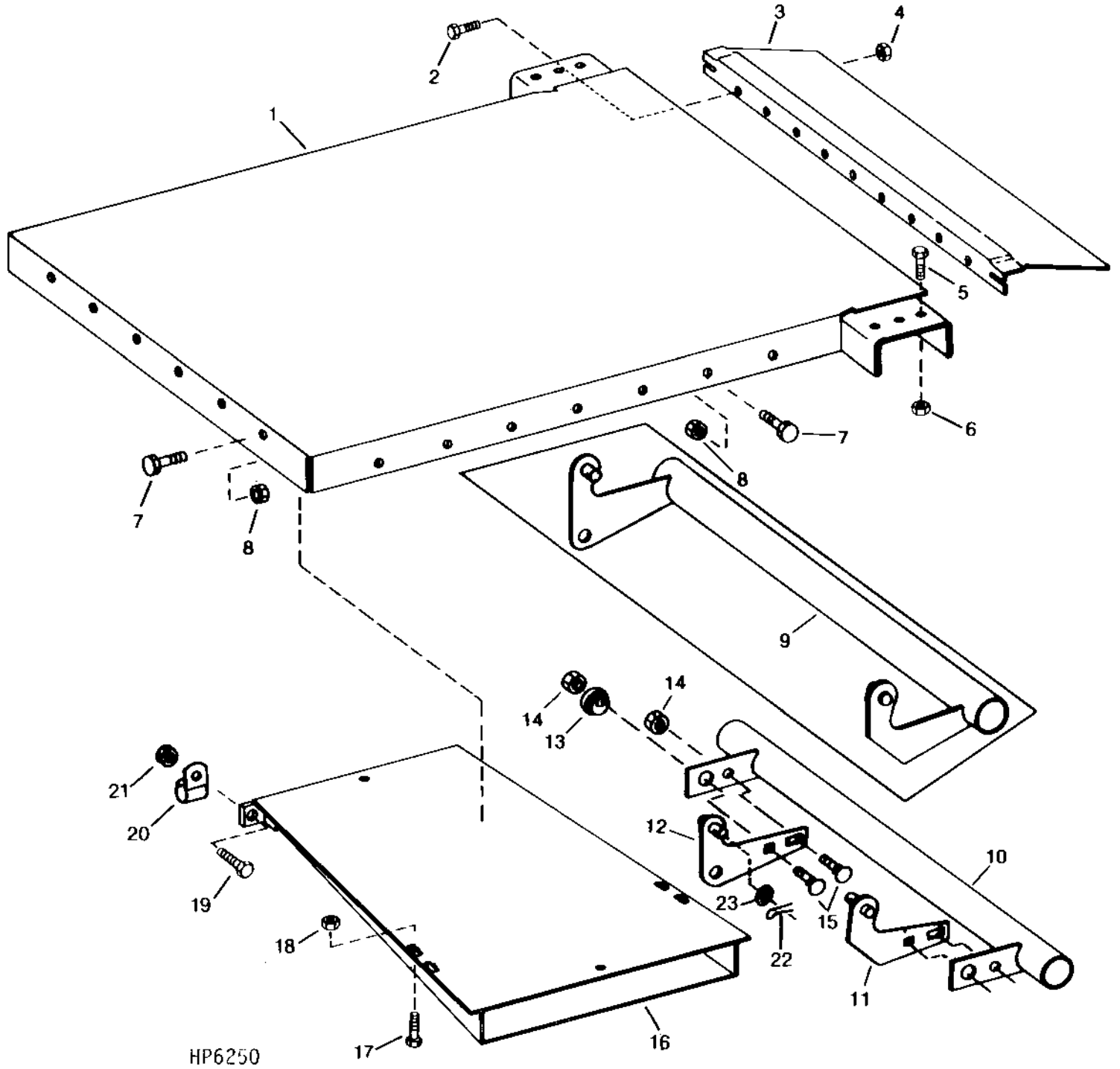
FEEDER HOUSE UPPER SHAFT - CONTINUED
(645301-)

| KEY | PART NO. | PART NAME | QTY | SERIAL NO. | REMARKS |
|-----|----------|----------------|-----|---------------|--|
| 1 | 03M7183 | BOLT | 4 | | M8 X 16 |
| 2 | 14M7298 | FLANGE NUT | 4 | | M8 |
| 3 | H133989 | HINGE | 2 | | |
| 4A | H133990 | DOOR | 2 | | |
| 4B | H152062 | DOOR | 2 | 666173- | |
| 5 | H75985 | DOWEL PIN | 2 | -646204 | 6.350 X 174.752 MM (1/4" X 6.880") (SUB H76083) |
| | H76083 | PIN | 2 | | 6.350 X 863.600 MM (1/4" X 34") |
| 6 | AH126416 | DOOR | 1 | | |
| 7 | 14M7401 | LOCK NUT | 2 | | M12 |
| 8 | 24M7047 | WASHER | 2 | | 13 X 24 X 2.500 MM |
| 9 | 03M7184 | BOLT | 7 | | M8 X 20 |
| 10 | H144051 | WEAR PLATE | 1 | | |
| 11 | 14M7298 | FLANGE NUT | 7 | | M8 |
| 12 | H143354 | SPACER | 1 | | 38.100 X 47.625 X 99.500 MM (1-1/2" X 1-7/8" X 3.917") |
| 13 | 19M7895 | SCREW | 12 | -642112 | M20 X 50 |
| | 19M7597 | CAP SCREW | 12 | 642113- | M20 X 50 |
| | 24M7242 | WASHER | 1 | 642113- | 21.400 X 42 X 5 MM |
| 14 | JD10020 | BALL BEARING | 1 | | |
| 15 | H143351 | HOUSING | 2 | -645916 | (SUB H147593) |
| | H147593 | HOUSING | 2 | | |
| 16 | H118776 | SET SCREW | 8 | | 9.525 X 19 MM (3/8" X 0.748") |
| 17 | 14H732 | NUT | 8 | | 3/8" |
| 18 | H118583 | CHAIN SPROCKET | 4 | | |
| 19 | H133508 | BRACKET | 4 | -645407 | |
| | H147482 | BRACKET | 2 | 645408-651550 | (SUB H149883) |
| | H149883 | STRIPPER | 2 | -660845 | (SUB H147482) |
| | H147482 | BRACKET | 2 | | |
| 20 | JD9373 | BALL BEARING | 1 | | |
| 21 | 19M7788 | SCREW | 6 | -646022 | M12 X 25 |
| | 19M7789 | SCREW | 6 | | M12 X 30 |
| 22 | 26H103 | SHAFT KEY | 1 | | 1/4" X 1-3/8" |
| 23 | H143352 | SHAFT | 1 | -657987 | (SUB H151567) |
| | H151567 | SHAFT | 1 | | |
| 24 | AH137223 | TUBE | 1 | -645732 | (SUB AH141398) |
| | AH141398 | TUBE | 1 | | |
| 25 | 19M7785 | SCREW | 6 | | M10 X 25 |
| | 14M7296 | FLANGE NUT | 6 | | M10 |
| 26 | 03M7191 | BOLT | 4 | | M10 X 25 |
| | 14M7296 | FLANGE NUT | 4 | | M10 |

6H1

FEEDER HOUSE

FEEDER HOUSE FLOOR
HP6250 -UN-12JAN96



6H2

FEEDER HOUSE

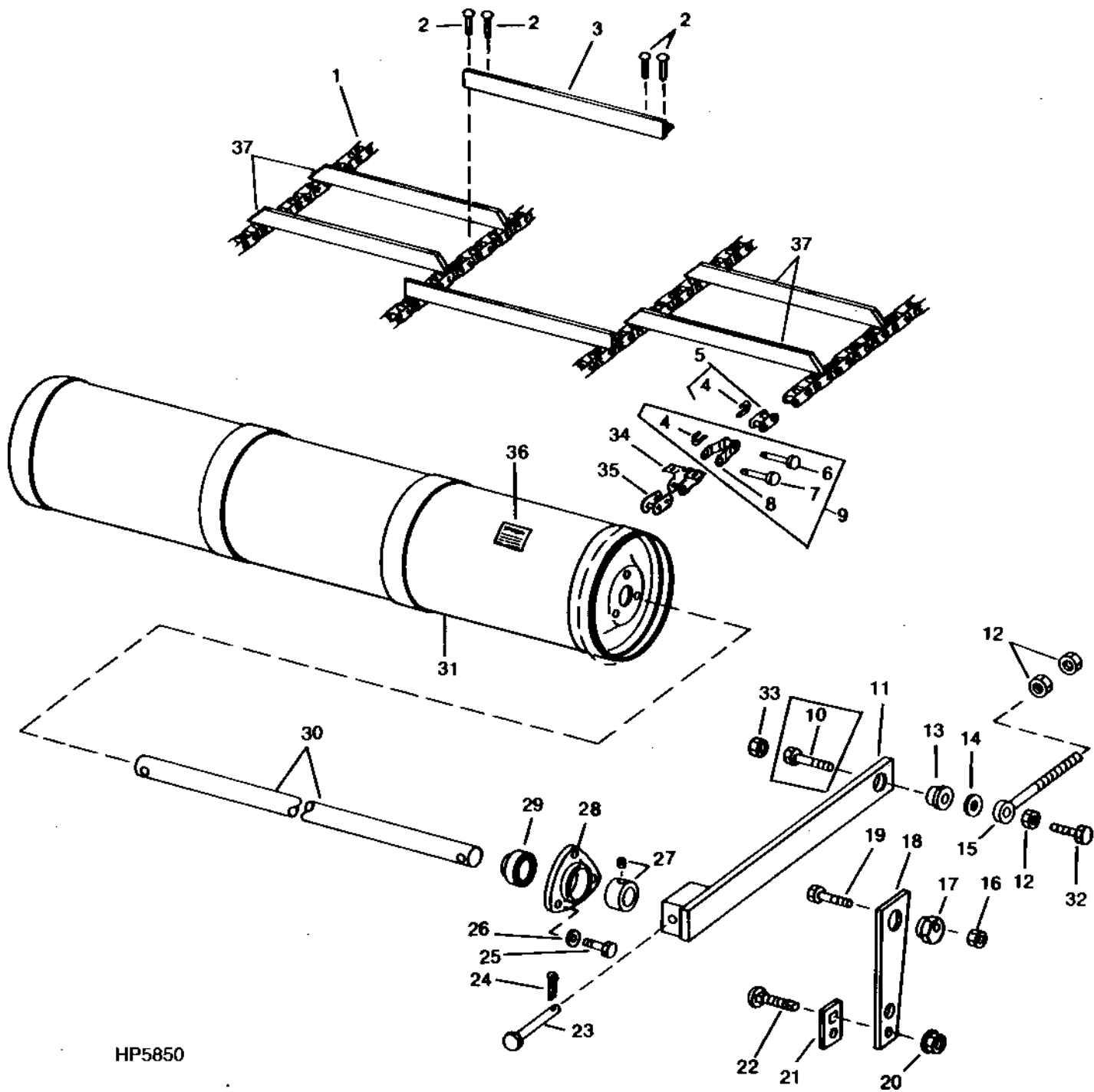
FEEDER HOUSE FLOOR - CONTINUED

| KEY | PART NO. | PART NAME | QTY | SERIAL NO. | REMARKS |
|-----|----------|------------|-----|---------------|--|
| 1 | AH137732 | FLOOR | 1 | | (SUB AH159704) (SUB FOR AH128072) |
| | AH159704 | FLOOR | 1 | | |
| 2 | 03M7190 | BOLT | 10 | | M10 X 20 |
| 3 | H131451 | SEAL | 1 | | |
| 4 | 14M7296 | FLANGE NUT | 10 | | M10 |
| 5 | 19M7895 | SCREW | 6 | | M20 X 50 |
| 6 | 14M7300 | FLANGE NUT | 6 | | M20 |
| 7 | 19M7789 | SCREW | 22 | | M12 X 30 |
| 8 | 14M7299 | FLANGE NUT | 22 | | M12 |
| 9 | AH128238 | SUPPORT | 1 | -642015 | (SUB AH140112) |
| | AH140112 | SUPPORT | 1 | 642016-650300 | (SUB AH141779, AH141781, AH141782, (2) H97322, (4) 14M7299 AND (4) 19M7790) |
| 10 | AH141779 | SUPPORT | 1 | | |
| 11 | AH141782 | ARM | 1 | 650301- | L.H. |
| 12 | AH141781 | ARM | 1 | 650301- | R.H. |
| 13 | H97322 | CAM | 1 | 650301- | |
| 14 | 14M7299 | FLANGE NUT | 4 | 650301- | M12, (SUB 14M7299) |
| 15 | 19M7790 | SCREW | 4 | 650301- | M12 X 35 |
| 16 | AH131303 | PAN | 1 | | |
| 17 | 19M7865 | SCREW | 2 | | M8 X 16 |
| 18 | 14M7298 | FLANGE NUT | 2 | | M8 |
| 19 | 19M7784 | SCREW | 2 | | M10 X 20 |
| 20 | AH89557 | CLIP | 1 | | |
| 21 | 14M7296 | FLANGE NUT | 2 | | M10 |
| 22 | 11M7028 | COTTER PIN | 2 | | 5 X 32 MM |
| 23 | 24M7053 | WASHER | 2 | | 17 X 30 X 3 MM |

6H3

FEEDER HOUSE

FEEDER CONVEYOR IDLER SHAFT, DRUM AND CHAIN
HP5850 -UN-15OCT94



HP5850

6H4

FEEDER HOUSE

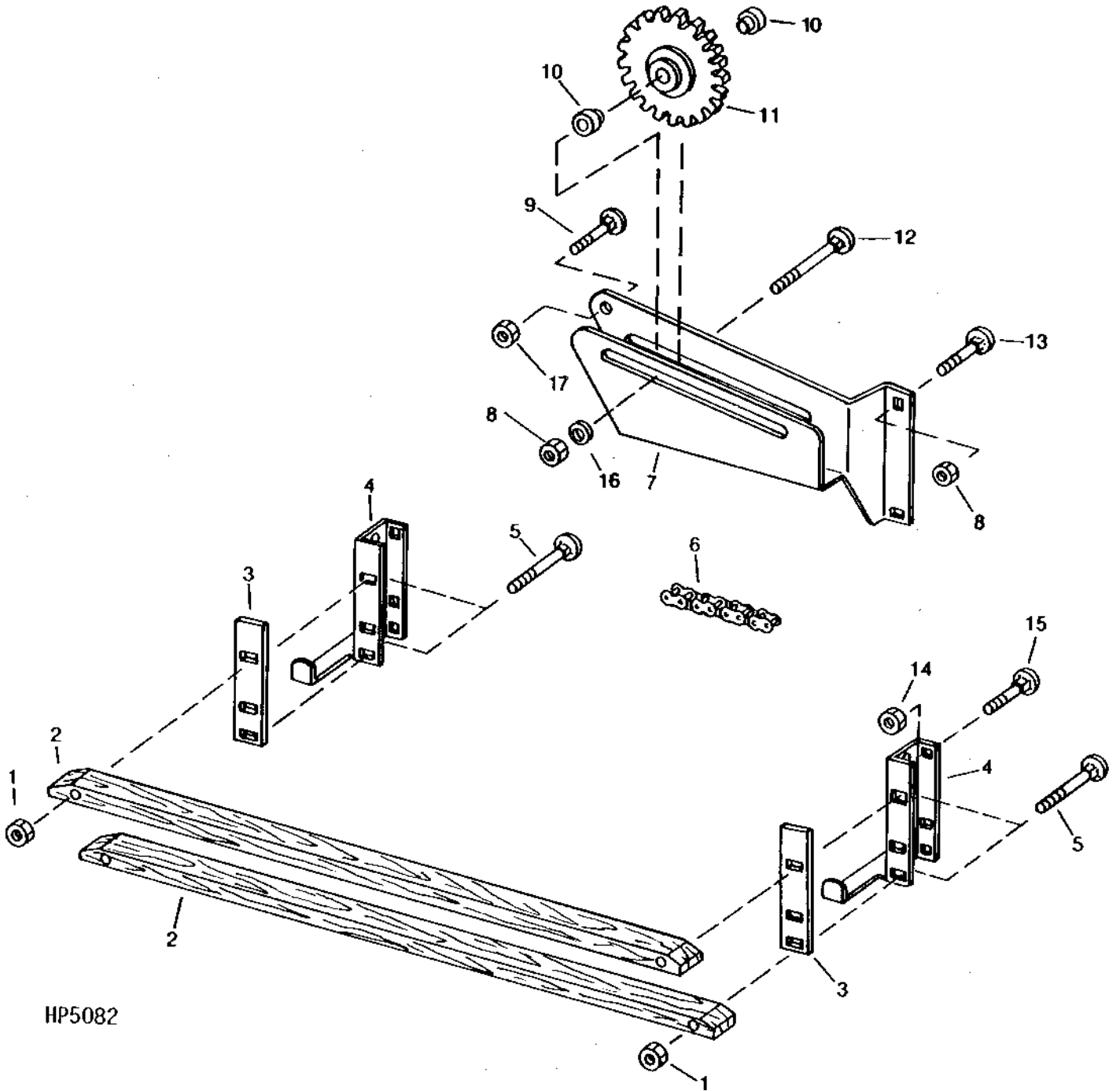
FEEDER CONVEYOR IDLER SHAFT, DRUM AND CHAIN - CONTINUED

| KEY | PART NO. | PART NAME | QTY | SERIAL NO. | REMARKS |
|-----|----------|--------------------------|-----|---------------|--|
| 1 | AH130104 | CONVEYOR | 1 | -636492 | (SUB AH137844) NARROW SPACED (74 SLAT) |
| | AH137597 | CONVEYOR | 1 | 636493-637787 | (SUB AH137844) |
| | AH137844 | CONVEYOR | 1 | | |
| | AH137591 | CONVEYOR | 1 | -638116 | (SUB AH138186) WIDE SPACED (51 SLAT) |
| | AH138186 | CONVEYOR | 1 | | WIDE SPACED (51 SLAT) W/O CONTOUR MASTER |
| | AH143399 | ROLLER CHAIN | 1 | 660301- | (CONTOUR MASTER) WIDE SPACED (51 SLAT) |
| | AH143400 | ROLLER CHAIN | 1 | 660301- | (CONTOUR MASTER) NARROW SPACED (74 SLAT) |
| 2 | 16H1083 | RIVET | 296 | | 5/16" X 5/8" |
| 3 | H134003 | SLAT | AR | | |
| | H149559 | SLAT | AR | | (CONTOUR MASTER) |
| 4 | H84026 | HOOK | 8 | | |
| 5 | AH84241 | CHAIN LINK | 4 | -636493 | (SUB AH137630) COUPLER |
| | AH137630 | CHAIN LINK | 4 | | |
| 6 | | PIN | 4 | | (SUB AH137631) |
| 7 | | PIN | 4 | | (SUB AH137631) REPAIR KIT |
| 8 | | CHAIN LINK | 4 | | (SUB AH137631) REPAIR KIT |
| 9 | AH131105 | CHAIN KIT | 4 | -636493 | (SUB AH137631) REPAIR KIT |
| | AH137631 | CHAIN LINK | 4 | | |
| 10 | 19M7825 | SCREW | 2 | -638005 | M16 X 65 |
| 11 | AH126091 | ARM | 2 | | |
| 12 | 14M7291 | FLANGE NUT | 6 | | M16 |
| 13 | H131087 | BUSHING | 2 | | 16.500 X 25.600 X 17 MM (0.650" X 1.008" X 0.669") |
| 14 | 24H1368 | WASHER | 2 | | 21/32" X 1-5/16" X 0.090" |
| 15 | H131088 | EYEBOLT | 2 | | |
| 16 | 14M7275 | NUT | 2 | | M12 |
| 17 | H97322 | CAM | 2 | | |
| 18 | H84942 | PLATE | 2 | | |
| 19 | 03M7202 | BOLT | 2 | | M12 X 50 |
| 20 | 14M7299 | FLANGE NUT | 2 | | M12 |
| 21 | H126705 | STRAP | 2 | -637134 | (SUB H144201) |
| | H144201 | ADJUSTING STRAP | 2 | | |
| 22 | H131090 | BOLT | 2 | -665577 | M12 X 50 |
| | H154331 | BOLT | 2 | 665578- | |
| 23 | 45M7040 | PIN | 2 | | 10 X 60 MM |
| 24 | 11M7059 | COTTER PIN | 2 | | 3.200 X 20 MM |
| 25 | 19H1731 | CAP SCREW | 6 | -637231 | 3/8" X 1" |
| | 19M7790 | SCREW | 6 | 637232- | M12 X 35 |
| 26 | 12H304 | LOCK WASHER | 6 | | 3/8" |
| 27 | JD8551 | ECCENTRIC LOCKING COLLAR | 2 | | |
| 28 | H97919 | HOUSING | 2 | -637231 | |
| | H138753 | HOUSING | 2 | 637232- | |
| 29 | JD8552 | BALL BEARING | 2 | | |
| 30 | H123733 | SHAFT | 1 | | |
| 31 | AH120209 | DRUM | 1 | -637231 | (SUB AH133493 AND (2) H138753 AND (6) 19M7790) |
| | AH133493 | DRUM | 1 | -650777 | (SUB AH142393) |
| | AH142393 | DRUM | 1 | | |
| | AH143365 | DRUM | 1 | 660301- | CONTOUR MASTER |
| 32 | 19M7399 | CAP SCREW | 2 | 636528- | M16 X 85 |
| 33 | W39621 | NUT | 2 | 636528- | M16 |
| 34 | AH137632 | CHAIN LINK | 2 | | |
| | H84026 | HOOK | 1 | | |
| 35 | C10232 | LINK | 1 | -29SEP7 | |
| | AH158635 | CHAIN LINK | 1 | 29SEP7- | |
| 36 | H150528 | LABEL | 1 | | "IMPORTANT" (S-PIN LOCATION) |
| 37 | H149559 | SLAT | AR | 660301- | CONTOUR MASTER |

6H5

FEEDER HOUSE

FEEDER CONVEYOR DRIVE CHAIN, TIGHTENER AND GUIDES
HP5082 -UN-01JAN94



HP5082

6H6

FEEDER HOUSE

FEEDER CONVEYOR DRIVE CHAIN, TIGHTENER AND GUIDES - CONTINUED

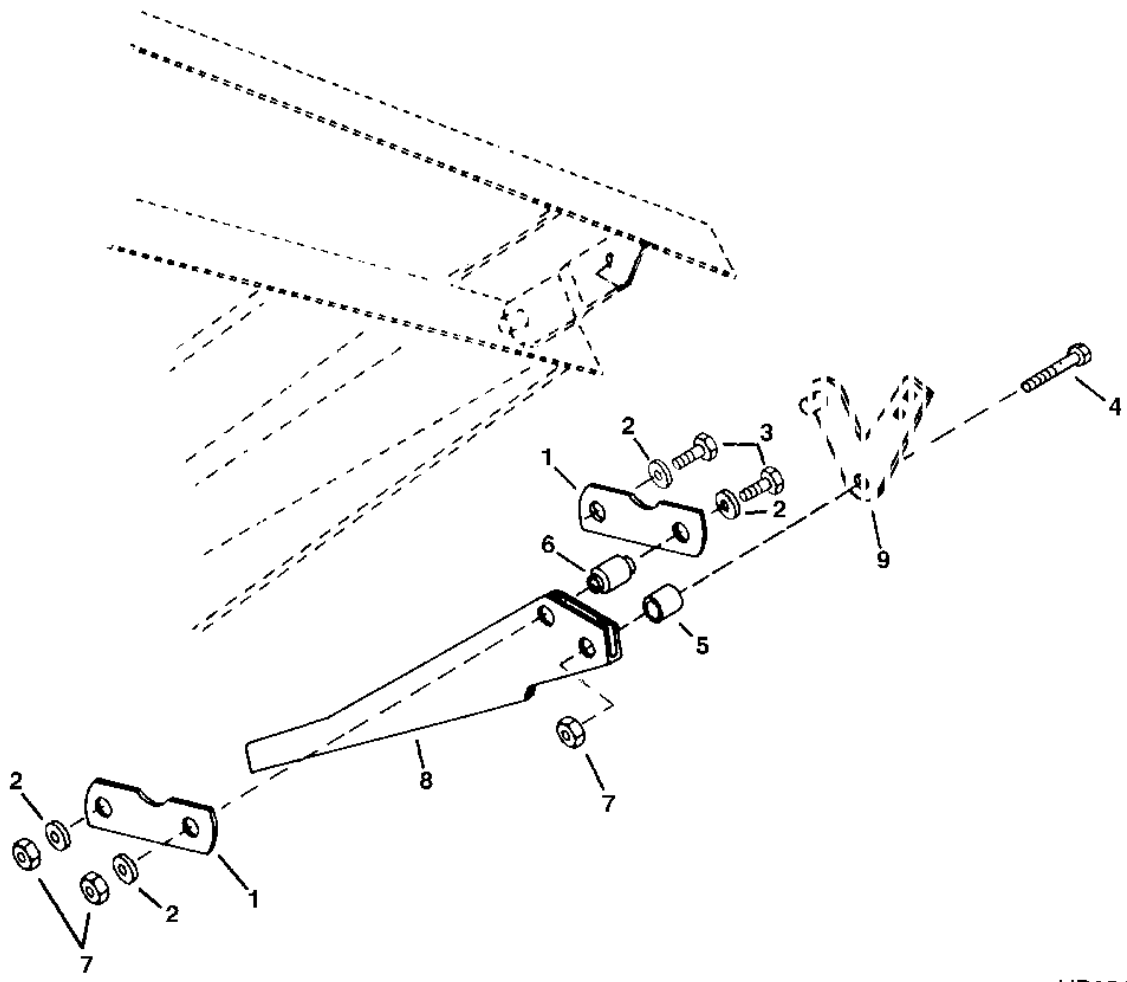
| KEY | PART NO. | PART NAME | QTY | SERIAL NO. | REMARKS |
|-----|----------|----------------|-----|------------|--|
| 1 | 14M7400 | LOCK NUT | 4 | | |
| 2 | H130530 | GUIDE | 2 | | |
| 3 | H134735 | PLATE | 2 | | |
| 4 | H134734 | BRACKET | 2 | | |
| 5 | 03M7233 | BOLT | 4 | | M10 X 70 |
| 6 | AH145029 | LINK CHAIN | 1 | | ROLLER, TYPE 60, 19 MM (3/4") 220 LINKS (SMALL SPROCKET) AND 223 LINKS (LARGE SPROCKET); (OR ASSEMBLE FROM (4) AB1288H AND AB1289H) |
| 7 | H130528 | BRACKET | 1 | -640300 | (SUB H141500) |
| | H141500 | BRACKET | 1 | | |
| 8 | 14M7299 | FLANGE NUT | 3 | | M12 |
| 9 | 19M7785 | SCREW | 1 | | M10 X 25 |
| 10 | H130529 | SPACER | 2 | | 12.300 X 15 X 16 MM (0.484" X 0.591" X 0.630") |
| 11 | AE27909 | CHAIN SPROCKET | 1 | | |
| 12 | 03M7226 | BOLT | 1 | | M12 X 70 |
| 13 | 03M7197 | BOLT | 1 | -641464 | M12 X 25 |
| | 03M7198 | BOLT | 1 | 641465- | M12 X 30 |
| 14 | 14M7296 | FLANGE NUT | 4 | | M10 |
| 15 | 03M7190 | BOLT | 4 | | M10 X 20 |
| 16 | 24H1226 | WASHER | 1 | | 12.700 X 31.750 X 2.108 MM (1/2" X 1-1/4" X 0.083") |
| 17 | H143489 | BUSHING | 1 | | |

6H7

FEEDER HOUSE

FEED PLATE LATCH HANDLE

HP6514 -UN-15JUL96



HP6514

6H8

FEEDER HOUSE

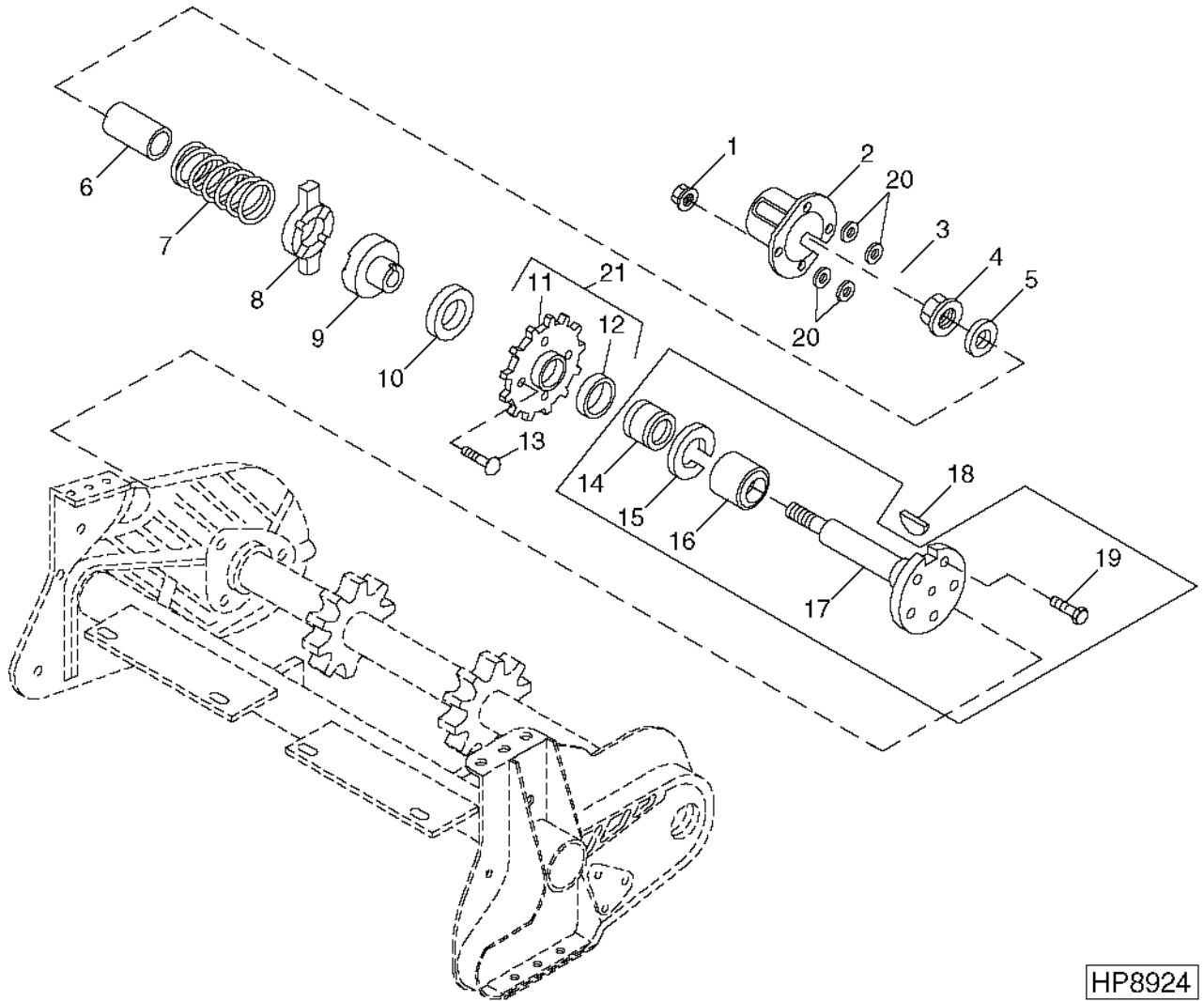
FEED PLATE LATCH HANDLE - CONTINUED

| KEY | PART NO. | PART NAME | QTY | SERIAL NO. | REMARKS |
|-----|----------|-----------------|-----|------------|---|
| 1 | H136144 | ADJUSTING STRAP | 2 | | |
| 2 | 24M7207 | WASHER | 4 | | 8.400 X 24 X 2 MM |
| 3 | 19M8318 | SCREW | 2 | | M8 X 45 |
| 4 | 19M8291 | SCREW | 1 | | M8 X 35 |
| 5 | H133060 | SLEEVE | 1 | | 8.300 X 16 X 19.300 MM (0.327" X 0.630" X 0.760") |
| 6 | H135476 | BUSHING | 1 | -651045 | (SUB H132988) |
| | H132988 | BUSHING | 1 | | |
| 7 | 14M7396 | LOCK NUT | 3 | | M8 |
| 8 | H132986 | HANDLE | 1 | | |
| 9 | | ARM | 1 | | IDENTIFIED WITH FEEDER HOUSE FLOOR |

6H9

FEEDER HOUSE

FEEDER HOUSE SLIP CLUTCH
HP8924 -UN-25AUG99



HP8924

6H10

FEEDER HOUSE

FEEDER HOUSE SLIP CLUTCH - CONTINUED

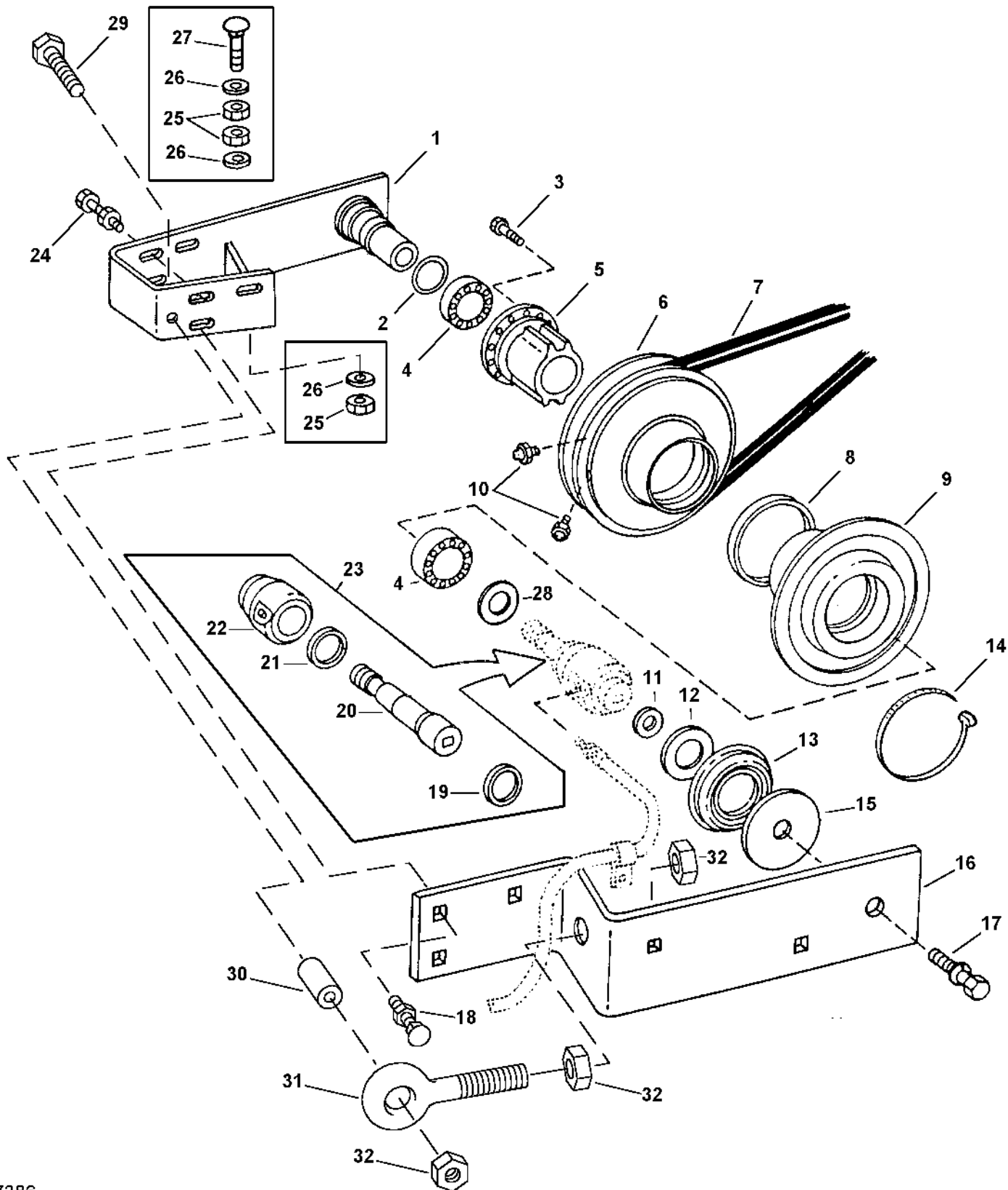
| KEY | PART NO. | PART NAME | QTY | SERIAL NO. | REMARKS |
|-----|----------|-----------------------|-----|------------|---|
| 1 | 14M7299 | FLANGE NUT | 4 | | M12 |
| 2 | H119710 | PLANET PINION CARRIER | 1 | | |
| 3 | A31870 | LOCK NUT | 1 | -642300 | M20 |
| | A31871 | LOCK NUT | 1 | 642301- | |
| 4 | 14M7300 | FLANGE NUT | 1 | -642300 | M20 |
| | 14M7278 | NUT | 1 | 642301- | M24 |
| 5 | 24M7242 | WASHER | 1 | -642300 | 21.400 X 42 X 5 MM |
| | R90521 | WASHER | 1 | 642301- | 24.500 X 37 X 6.200 MM (0.965" X 1.457" X 0.244") |
| 6 | H129659 | SPACER | 1 | | 30.140 X 38.100 X 48 MM (1.187" X 1-1/2" X 1.890") |
| 7 | H102497 | SPRING | 1 | -636454 | |
| | H109855 | SPRING | 1 | 636455- | |
| 8 | H101677 | JAW | 1 | | |
| 9 | H105590 | HUB | 1 | | |
| 10 | H99303 | WASHER | 1 | | 46.736 X 90.424 X 3.404 MM (1.840" X 3.560" X 0.134") |
| 11 | H119709 | CHAIN SPROCKET | 1 | | |
| 12 | H105584 | BUSHING | 1 | | |
| 13 | 03M7200 | BOLT | 4 | | M12 X 40 |
| 14 | H130571 | SPACER | 1 | -642112 | |
| 15 | 40M7090 | SNAP RING | 1 | -642300 | |
| 16 | AH109788 | ROLLER BEARING | 1 | -642300 | |
| 17 | H129681 | SHAFT | 1 | -642300 | |
| 18 | 26H103 | SHAFT KEY | 1 | | 6.350 X 53.975 MM (1/4" X 2-1/8") |
| 19 | 19M7938 | CAP SCREW | 3 | -642300 | M10 X 20 |
| 20 | 24H1341 | WASHER | 4 | 636455- | 17/32" X 15/16" X 0.060" |
| 21 | AH116232 | CHAIN SPROCKET | 1 | | |

6H11

FEEDER HOUSE

VARIABLE DRIVE UPPER COUNTERSHAFT, SHEAVES AND SUPPORTS

HP7386 -UN-24JAN98



HP7386

6H12

FEEDER HOUSE

VARIABLE DRIVE UPPER COUNTERSHAFT, SHEAVES AND SUPPORTS - CONTINUED

| KEY | PART NO. | PART NAME | QTY | SERIAL NO. | REMARKS |
|-----|----------------|------------------------------------|----------|------------|---|
| 1 | AH120972 | SUPPORT | 1 | | |
| 2 | R31378 | O-RING | 1 | | |
| 3 | 19M7868 | SCREW | 6 | | M8 X 30 |
| 4 | JD10018 | BEARING | 2 | | |
| 5 | H97378 | HUB | 1 | | INNER |
| 6 | AH157934 | SHEAVE | 1 | | 360 MM (14-15/64") DIA. (SUB FOR H125489) |
| 7 | H125565 | BELT | 1 | -635300 | |
| | H140160 | BELT | 1 | 635301- | |
| 8 | AH94854 | SEAL | 1 | -637796 | (SUB AH136497) |
| | AH136497 | SEAL | 1 | | |
| 9 | H125490 | SHEAVE | 1 | | 318 MM (12-35/64") DIA. |
| 10 | JD7759 | LUBRICATION FITTING | 2 | | STRAIGHT, 1/8" |
| 11 | 24H1342 | WASHER | AR | | 17/32" X 1-1/4" X 0.036", STRAIGHT, 1/4" |
| 12 | H101448 | WASHER | AR | | 38.500 X 60 X 0.800 MM (1.516" X 2.362" X 0.031") (SPECIAL) |
| 13 | H93084 | BOOT | 1 | | |
| 14 | H77698 | TIE BAND | 1 | | SELF-LOCKING |
| 15 | H98409 | WASHER | 1 | | 13 X 90 X 1.200 MM (0.512" X 3.543" X 0.047") |
| 16 | H134087 | STRAP | 1 | | |
| 17 | 19H1777 | CAP SCREW | 1 | | 1/2" X 1-3/4" |
| | 12H301 | LOCK WASHER | 1 | | 1/2" |
| 18 | 03M7192 | BOLT | 3 | | M10 X 30 |
| | 14M7296 | FLANGE NUT | 3 | | M10 |
| 19 | H100247 | SEAL | 1 | | |
| 20 | H100244 | PISTON | 1 | | |
| 21 | H100246 | SEAL | 1 | | |
| 22 | H100245 | HYDRAULIC CYLINDER BARREL | 1 | | |
| 23 | AH96091 | CYLINDER | 1 | | |
| 24 | 19M7790 | SCREW | 3 | | M12 X 35 |
| | 14M7299 | FLANGE NUT | 3 | | M12 |
| 25 | 14H821 | NUT | 3 | -635100 | 5/8" |
| 26 | 24M7053 | WASHER | 3 | -635200 | 17 X 30 X 3 MM |
| 27 | 03H2308 | BOLT | 1 | -635300 | 5/8" X 3-1/4" |
| 28 | 24H1452 | WASHER | 1 | | 1-1/32" X 1-3/4" X 0.105" |
| 29 | 19M7892 | CAP SCREW | 1 | 5JAN98- | |
| 30 | H162288 | BUSHING | 1 | 5JAN98- | |
| 31 | H162269 | EYEBOLT | 1 | 5JAN98- | |
| 32 | 14M7277 | NUT | 3 | 5JAN98- | |
| .. | BH81391 | COMPLETE GOODS/SHIP. BUNDLE | 1 | | RETROFIT - WIDE FEEDER HOUSE |
| .. | BH81447 | COMPLETE GOODS/SHIP. BUNDLE | 1 | | RETROFIT - WIDE FEEDER HOUSE, CONTOUR MASTER |

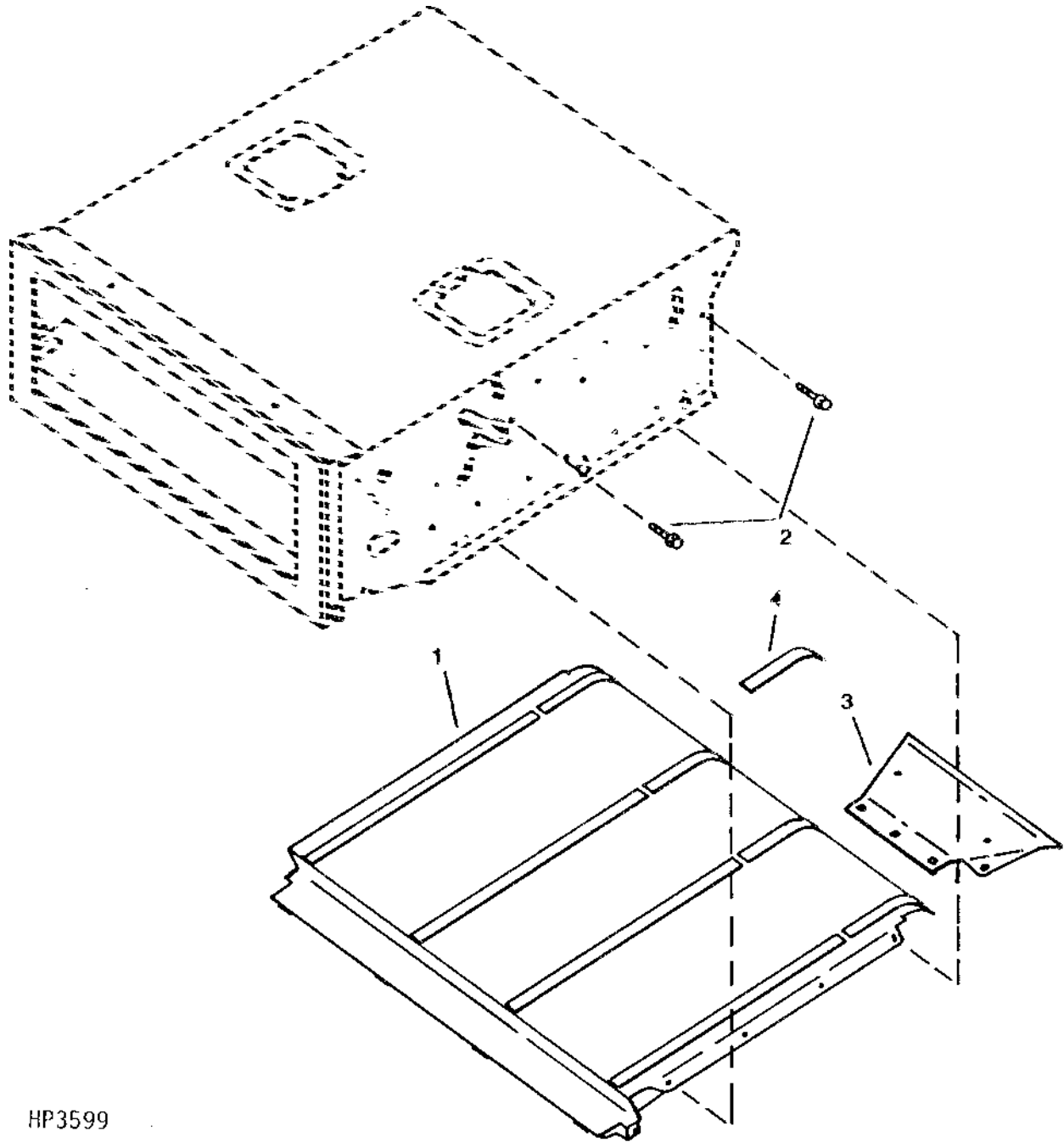
6H13

FEEDER HOUSE

FEEDER HOUSE RETURN FLOOR

(-642300)

HP3599 -UN-01JAN94



HP3599

6H14

FEEDER HOUSE

FEEDER HOUSE RETURN FLOOR - CONTINUED
(-642300)

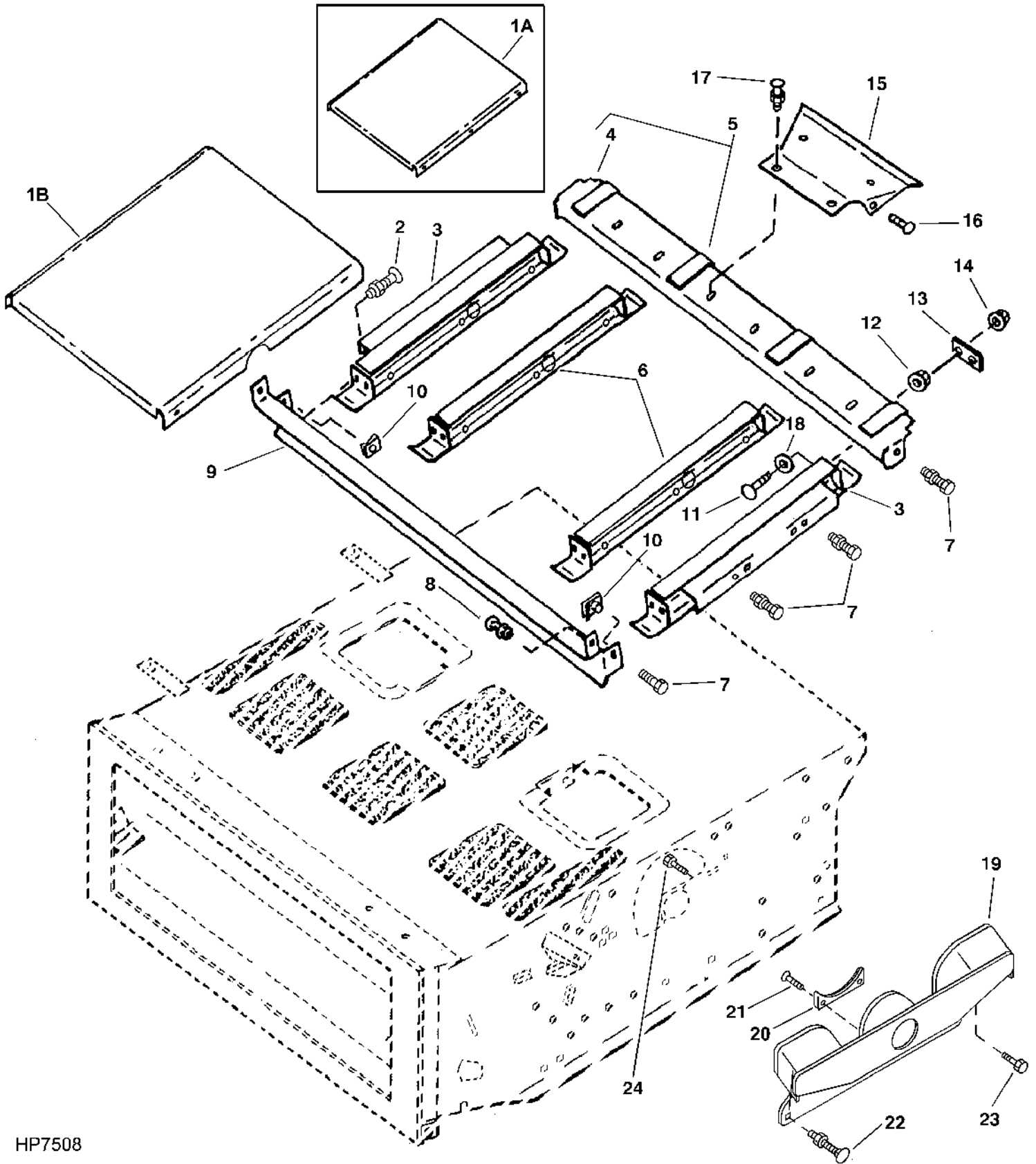
| KEY | PART NO. | PART NAME | QTY | SERIAL NO. | REMARKS |
|-----|----------|-----------|-----|---------------|--|
| 1 | AH131828 | FLOOR | 1 | -640300 | (SUB AH138962) |
| | AH138962 | FLOOR | 1 | 640301-646900 | (SUB (2) AH139242, (2) AH139243, AH141860, H143357, H143375, H148187) |
| 2 | 19M7785 | SCREW | 10 | | M10 X 25 |
| 3 | H134888 | STRIPPER | 3 | -641716 | |
| | H145463 | STRIPPER | 3 | 641717- | |
| 4 | H137296 | STRIP | 4 | -640300 | (SUB H144826) |
| | H144826 | STRIP | 4 | 640301- | |
| | H145462 | ANGLE | 1 | 641717- | |

6H15

FEEDER HOUSE

FEEDER HOUSE RETURN FLOOR

(642301-)
HP7508 -UN-06APR98



HP7508

6H16

FEEDER HOUSE

FEEDER HOUSE RETURN FLOOR - CONTINUED
(642301-)

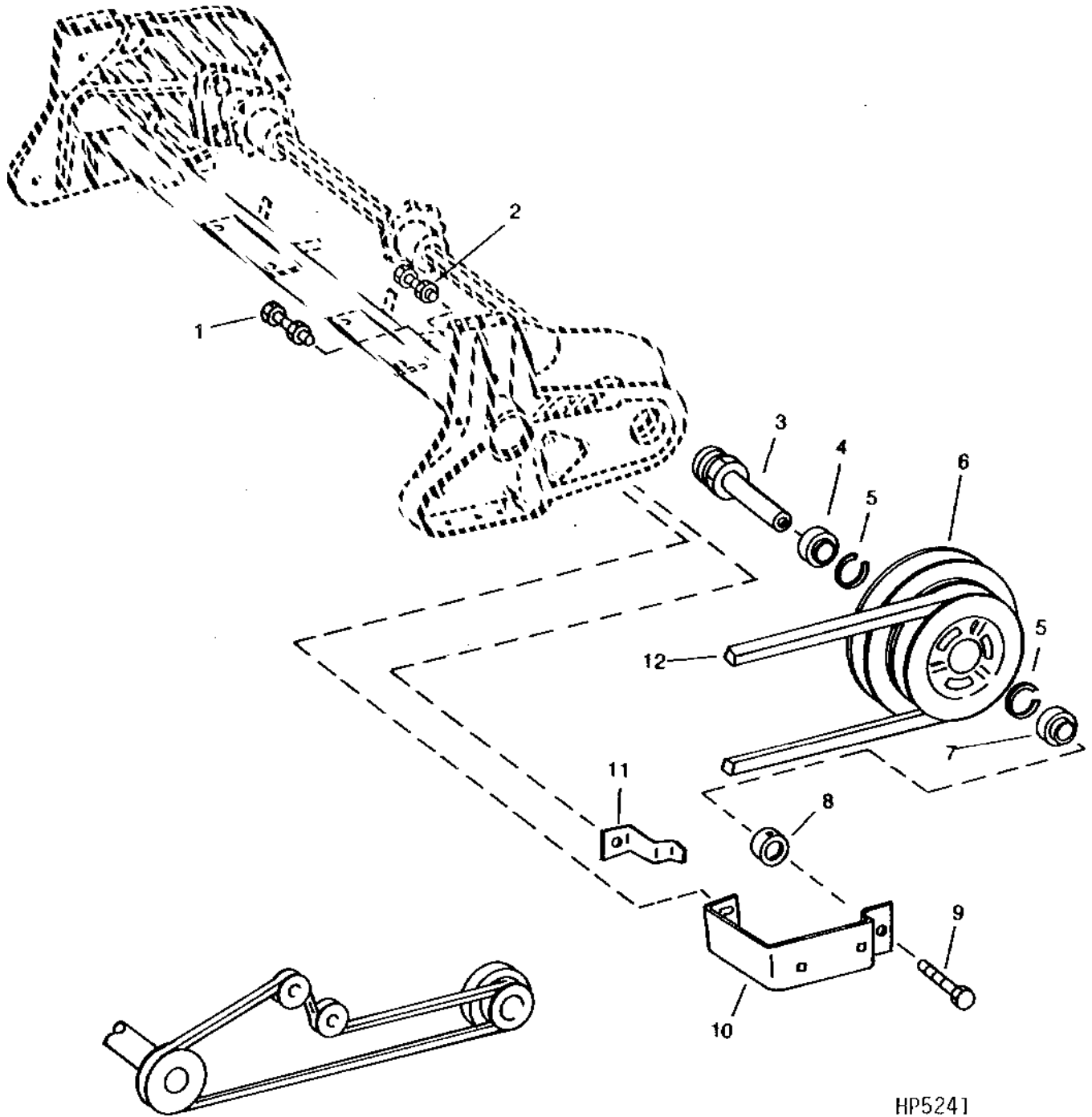
| KEY | PART NO. | PART NAME | QTY | SERIAL NO. | REMARKS |
|-----|----------------|------------------------------------|----------|------------|---|
| 1A | H143375 | FLOOR | 2 | | |
| 1B | AH154574 | FLOOR | 3 | 5JAN98- | |
| 2 | 03M7190 | BOLT | 8 | | M10 X 20 |
| | 14M7296 | FLANGE NUT | 8 | | M10 |
| 3 | AH139243 | RUNNER | 2 | | OUTSIDE RUNNER |
| 4 | H145462 | ANGLE | 3 | -650300 | |
| | H148187 | ANGLE | 4 | 650301- | |
| 5 | AH139422 | SUPPORT | 1 | -650300 | (SUB AH141860 AND H148187) |
| | AH141860 | SUPPORT | 1 | | |
| 6 | AH157942 | RUNNER | 2 | 29SEP7- | (SUB FOR AH139242) INSIDE RUNNER |
| | AH157942 | RUNNER | 4 | 5JAN98- | INSIDE RUNNER |
| 7 | 19M7785 | SCREW | 8 | | M10 X 25 |
| | 14M7296 | FLANGE NUT | 4 | -642301 | M10 |
| 8 | 03M7191 | BOLT | 2 | | M10 X 25 |
| | 14M7296 | FLANGE NUT | 2 | | M10 |
| 9 | H143357 | CHANNEL | 1 | | |
| 10 | H146457 | NUT | 2 | | 10 MM (0.394") |
| 11 | 03M7194 | BOLT | 8 | | M10 X 40 |
| 12 | 14M7296 | FLANGE NUT | 8 | | M10 |
| 13 | H150458 | STRAP | 1 | 655525- | |
| 14 | 14M7400 | LOCK NUT | 8 | | M10 |
| 15 | H145463 | STRIPPER | 3 | | STRIPPER - TOP SHAFT |
| 16 | 19M7785 | SCREW | 6 | | M10 X 25 |
| 17 | 03M7191 | BOLT | 6 | | M10 X 25 |
| | 14M7296 | FLANGE NUT | 6 | | M10 |
| 18 | 24M7028 | WASHER | 8 | | 10.500 X 20 X 2 MM |
| 19 | AH159053 | SCOOP | 1 | | L.H. |
| | AH159054 | SCOOP | 1 | | R.H. |
| 20 | H164391 | STRIPPER | 2 | | |
| 21 | H165318 | SCREW | 2 | | |
| 22 | 03M7197 | BOLT | 4 | | M12 X 25 |
| 23 | 03M7198 | BOLT | 2 | | |
| 24 | H165317 | SCREW | 4 | | |
| .. | BH81391 | COMPLETE GOODS/SHIP. BUNDLE | 1 | | RETROFIT - WIDE FEEDER HOUSE |
| .. | BH81447 | COMPLETE GOODS/SHIP. BUNDLE | 1 | | RETROFIT - WIDE FEEDER HOUSE, CONTOUR MASTER |
| .. | BH81483 | COMPLETE GOODS/SHIP. BUNDLE | 1 | | RETROFIT - WIDE FEEDER HOUSE |

6H17

FEEDER HOUSE

UPPER DRIVE SHAFT, SHEAVE AND MOUNTINGS (FIXED SPEED WITH REVERSER)

HP5241 -UN-01JAN94



HP5241

6H18

FEEDER HOUSE

UPPER DRIVE SHAFT, SHEAVE AND MOUNTINGS - CONTINUED
(FIXED SPEED WITH REVERSER)

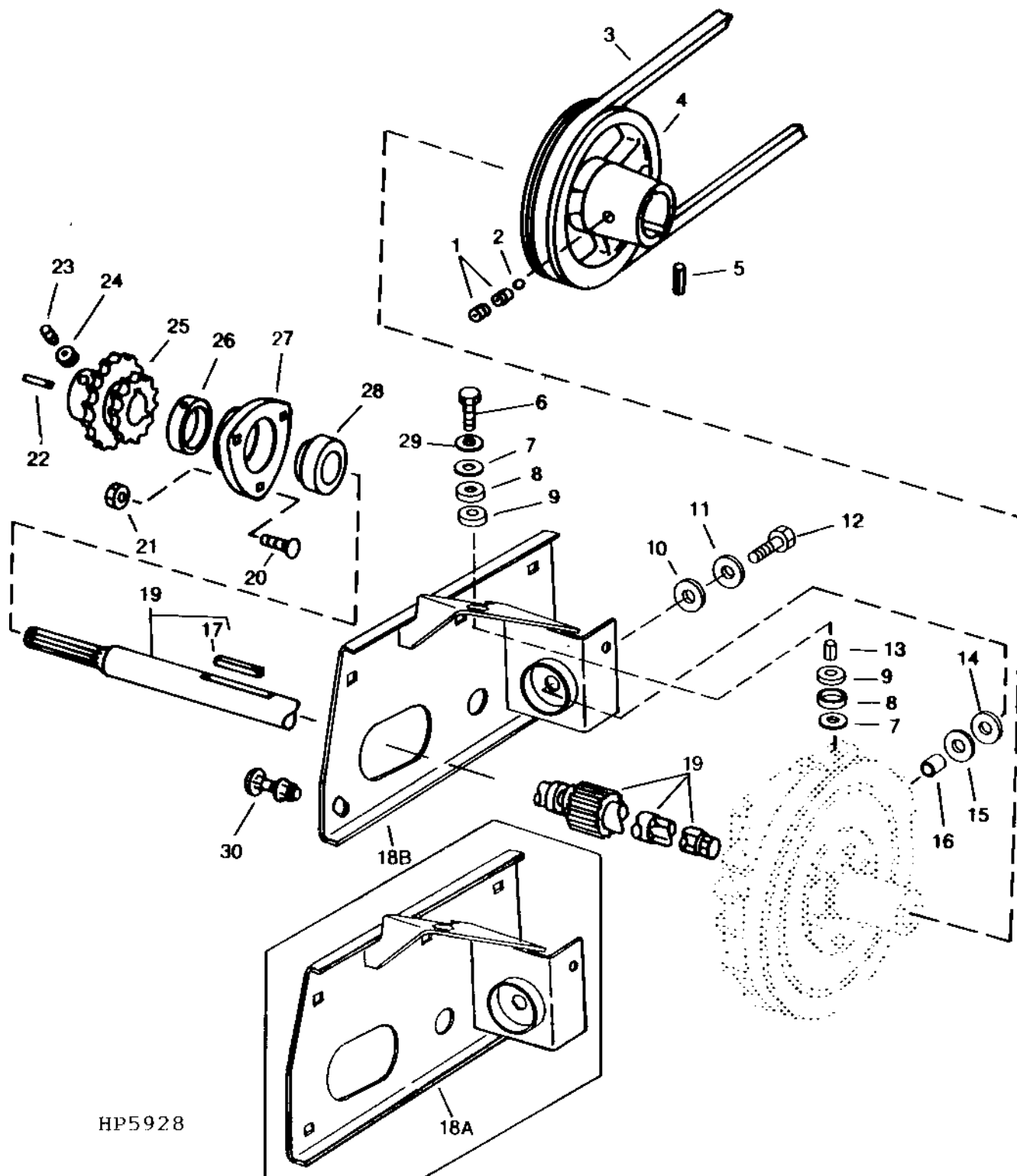
| KEY | PART NO. | PART NAME | QTY | SERIAL NO. | REMARKS |
|-----|----------|--------------------------|-----|------------|---------|
| 1 | 19M7790 | SCREW | 1 | M12 X 35 | |
| | 14M7299 | FLANGE NUT | 1 | M12 | |
| 2 | 19M7789 | SCREW | 1 | M12 X 30 | |
| | 14M7299 | FLANGE NUT | 1 | M12 | |
| 3 | AH125454 | SHAFT | 1 | | |
| 4 | JD9301 | BALL BEARING | 1 | | |
| 5 | P46874 | SNAP RING | 1 | | |
| 6 | H126261 | SHEAVE | 1 | | |
| 7 | JD9356 | BALL BEARING | 1 | | |
| 8 | JD8576 | ECCENTRIC LOCKING COLLAR | 1 | | |
| 9 | 19M7790 | SCREW | 1 | M12 X 35 | |
| 10 | H134088 | STRAP | 1 | | |
| 11 | H126302 | SCRAPER | 1 | | |
| 12 | H126345 | BELT | 1 | | |

6H19

FEEDER HOUSE

FRONT DRIVE SHAFT, SHEAVE AND MOUNTINGS (FIXED SPEED WITH REVERSER)

HP5928 -UN-06MAR95



HP5928

6H20

FEEDER HOUSE

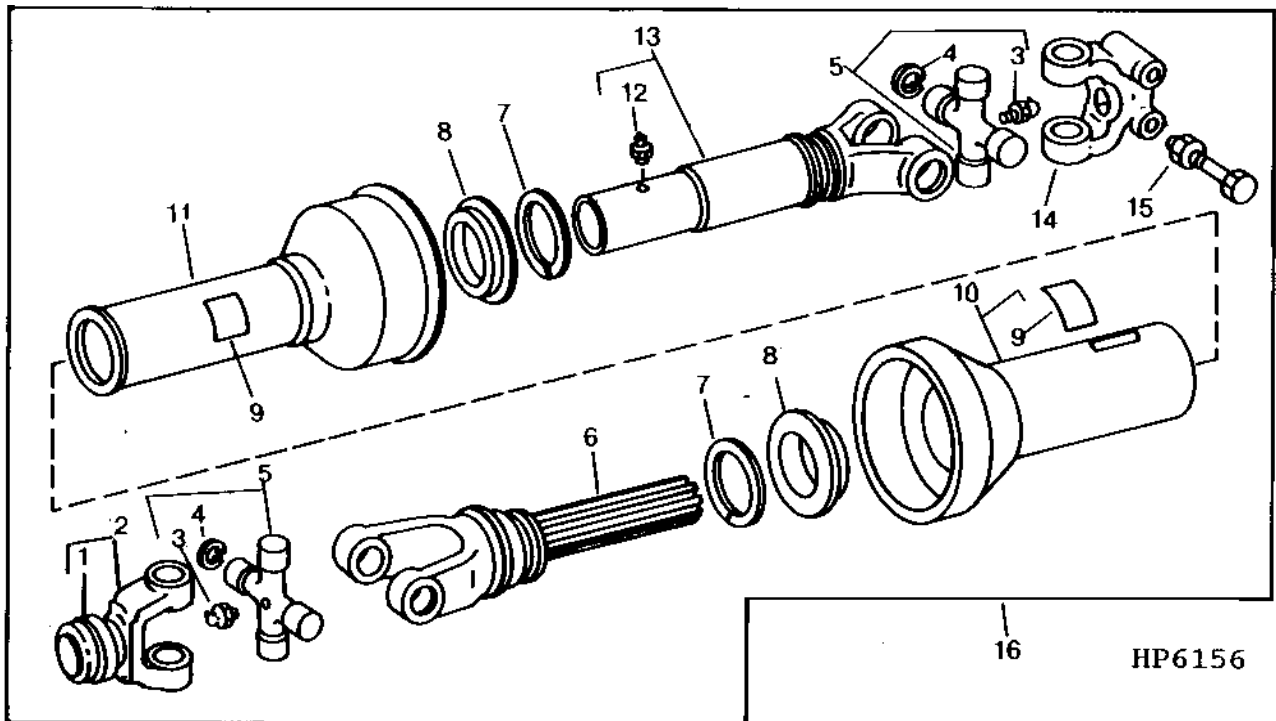
**FRONT DRIVE SHAFT, SHEAVE AND MOUNTINGS - CONTINUED
(FIXED SPEED WITH REVERSER)**

| KEY | PART NO. | PART NAME | QTY | SERIAL NO. | REMARKS |
|-----|----------|--------------------------|-----|---------------|--|
| 1 | 22H775 | SET SCREW | 2 | | 5/16" X 1/4" |
| 2 | H110922 | BALL | 1 | | |
| 3 | H126345 | BELT | 1 | | |
| 4 | H108889 | SHEAVE | 1 | | |
| 5 | 34H305 | SPRING PIN | 1 | | 5.563 X 50.800 MM (7/32" X 2") |
| 6 | 19H1863 | CAP SCREW | 1 | | 5/8" X 3" |
| 7 | P50456 | WASHER | 2 | | 16.301 X 76.200 X 4.500 MM (0.642" X 3" X 0.177") |
| 8 | H148132 | BUSHING | 2 | | (SUB FOR H80197) |
| 9 | H148133 | RETAINER | 2 | | (SUB FOR H78856) |
| 10 | T55761 | SUPPORT | 1 | | |
| 11 | R20136 | WASHER | 1 | | 19.837 X 69.850 X 6.350 MM (25/32" X 2-3/4" X 1/4") |
| 12 | 19H1950 | CAP SCREW | 1 | | 5/8" X 3-3/4" |
| 13 | H148134 | SPACER | 1 | | 16.130 X 19.930 X 41.900 MM (0.635" X 0.785" X 1.650") (SUB FOR H85482) |
| 14 | R62502 | SUPPORT | 1 | | |
| 15 | H97410 | WASHER | 1 | | 26 X 108 X 6 MM (1.024" X 4.252" X 0.236") |
| 16 | H95417 | SPACER | 1 | | |
| 17 | 26H104 | SHAFT KEY | 1 | | 5/16" X 2-1/8" |
| 18A | AH139919 | SUPPORT | 1 | -657573 | (SUB FOR AH130175) |
| 18B | AH144099 | SUPPORT | 1 | 657574- | |
| 19 | AH97643 | SHAFT | 1 | | (CORN) |
| | AH141550 | SHAFT | 1 | 660301-31JA00 | CONTOUR MASTER |
| | AH152939 | SHAFT | 1 | | CONTOUR MASTER (USE WITH AH149349 (DRIVE SPROCKET) AND H170634 (TONE WHEEL)) |
| 20 | 03M7192 | BOLT | 3 | | M10 X 30 |
| 21 | 14M7296 | FLANGE NUT | 3 | | M10 |
| 22 | M73000 | SHAFT KEY | 1 | | |
| 23 | H138435 | SET SCREW | 2 | | M10 X 25 |
| 24 | 14M7274 | NUT | 2 | | M10 |
| 25 | AH125782 | CHAIN SPROCKET | 1 | | |
| | AH149349 | DRIVE SPROCKET | 1 | | USE WITH AH153339 (GEARBOX) AND H170634 (TONE WHEEL) |
| 26 | JD9201 | ECCENTRIC LOCKING COLLAR | 1 | | |
| 27 | H93927 | HOUSING | 1 | | |
| 28 | JD9202 | BALL BEARING | 1 | | |
| 29 | 24M7241 | WASHER | 1 | 641229- | 17 X 34 X 4 MM |
| 30 | 03M7191 | BOLT | 5 | | M10 X 25 |
| | 14M7296 | FLANGE NUT | 5 | | M10 |

6H21

FEEDER HOUSE

CONTOUR MASTER DRIVESHAFT
(FOR ALL HEADERS EXCEPT 444 CORNHEAD, 914 BPU)
(660301-2JUN97)
HP6156 -UN-01SEP95



6H22

FEEDER HOUSE

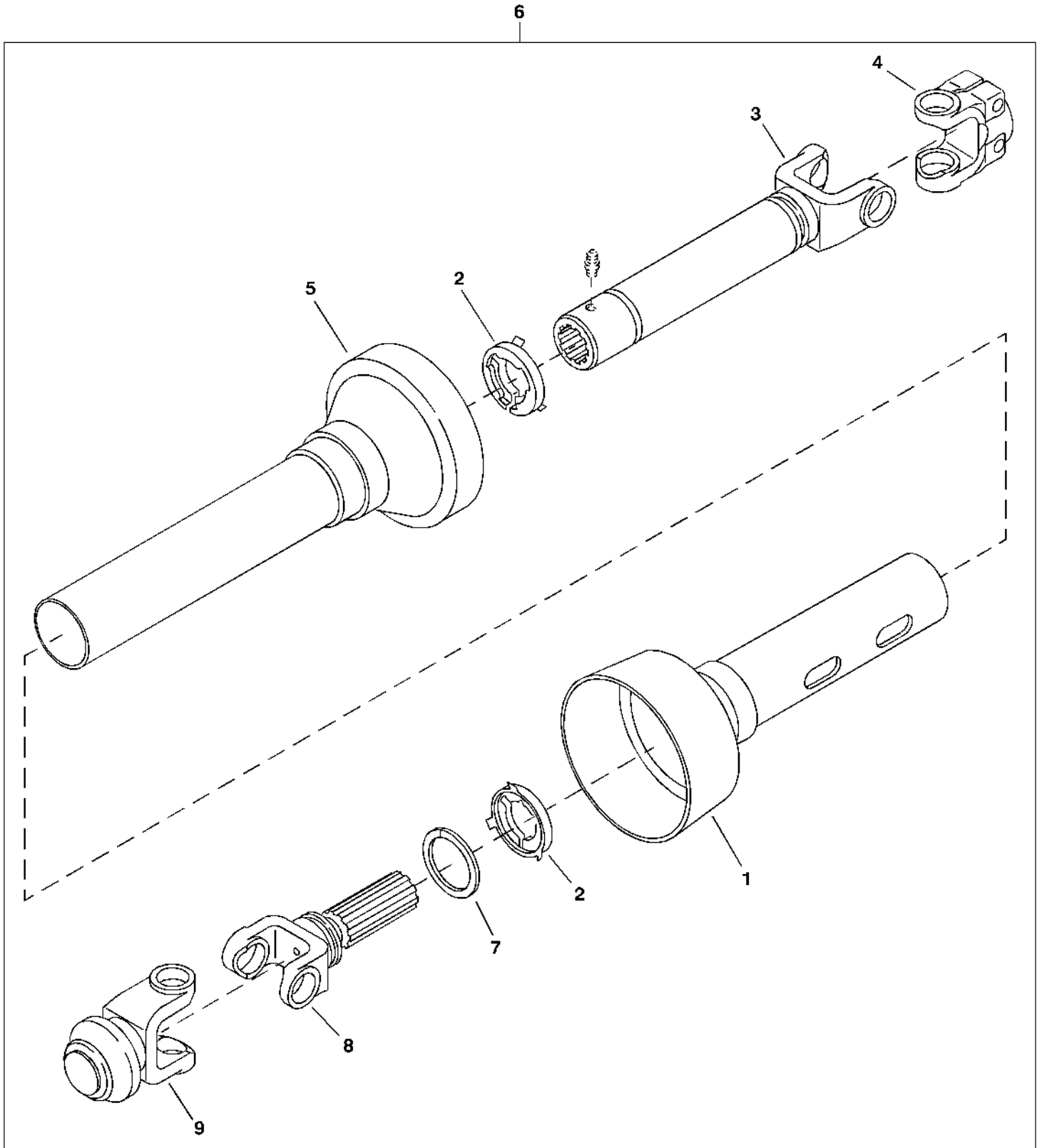
CONTOUR MASTER DRIVESHAFT - CONTINUED
(FOR ALL HEADERS EXCEPT 444 CORNHEAD, 914 BPU)
(660301-2JUN97)

| KEY | PART NO. | PART NAME | QTY | SERIAL NO. | REMARKS |
|-----|----------|------------------------------|-----|------------|------------------------------------|
| 1 | AE49773 | KIT | 1 | | SLIDE LOCK |
| 2 | AH144523 | UNIVERSAL JOINT YOKE | 1 | | |
| 3 | JD7760 | LUBRICATION FITTING | 2 | | 65° X 21.336 MM LONG (0.840" LONG) |
| 4 | BP12946 | SNAP RING | 4 | | |
| 5 | AE23516 | CROSS AND BEARING ASSEMBLY | 2 | | |
| 6 | AH145203 | YOKE, WITH SHAFT | 1 | | |
| 7 | AH143512 | KIT | 2 | | NYLON BEARING |
| 8 | | BEARING | 1 | | (SUB AH143512) |
| 9 | | DECAL | 2 | | (SUB E82514) "DANGER" |
| 10 | AH145204 | POWERSHAFT SHIELD | 1 | | |
| 11 | AH145206 | POWERSHAFT SHIELD | 1 | | |
| 12 | JD7842 | LUBRICATION FITTING | 1 | | |
| 13 | AH145205 | YOKE, WITH TUBE | 1 | | |
| 14 | AH141248 | UNIVERSAL JOINT YOKE | 1 | | |
| | 14M7401 | LOCK NUT | 2 | | M12 |
| 15 | 19M7818 | SCREW | 2 | | M12 X 80 |
| 16 | AH141283 | U-JOINT, WITH SHAFT & SHIELD | 1 | | (SUB AH154737) COMPLETE |
| | AH154737 | U-JOINT, WITH SHAFT & SHIELD | 1 | | |

6H23

FEEDER HOUSE

CONTOUR MASTER DRIVESHAFT (2JUN97-)
HP6728 -UN-02JUN97



HP6728

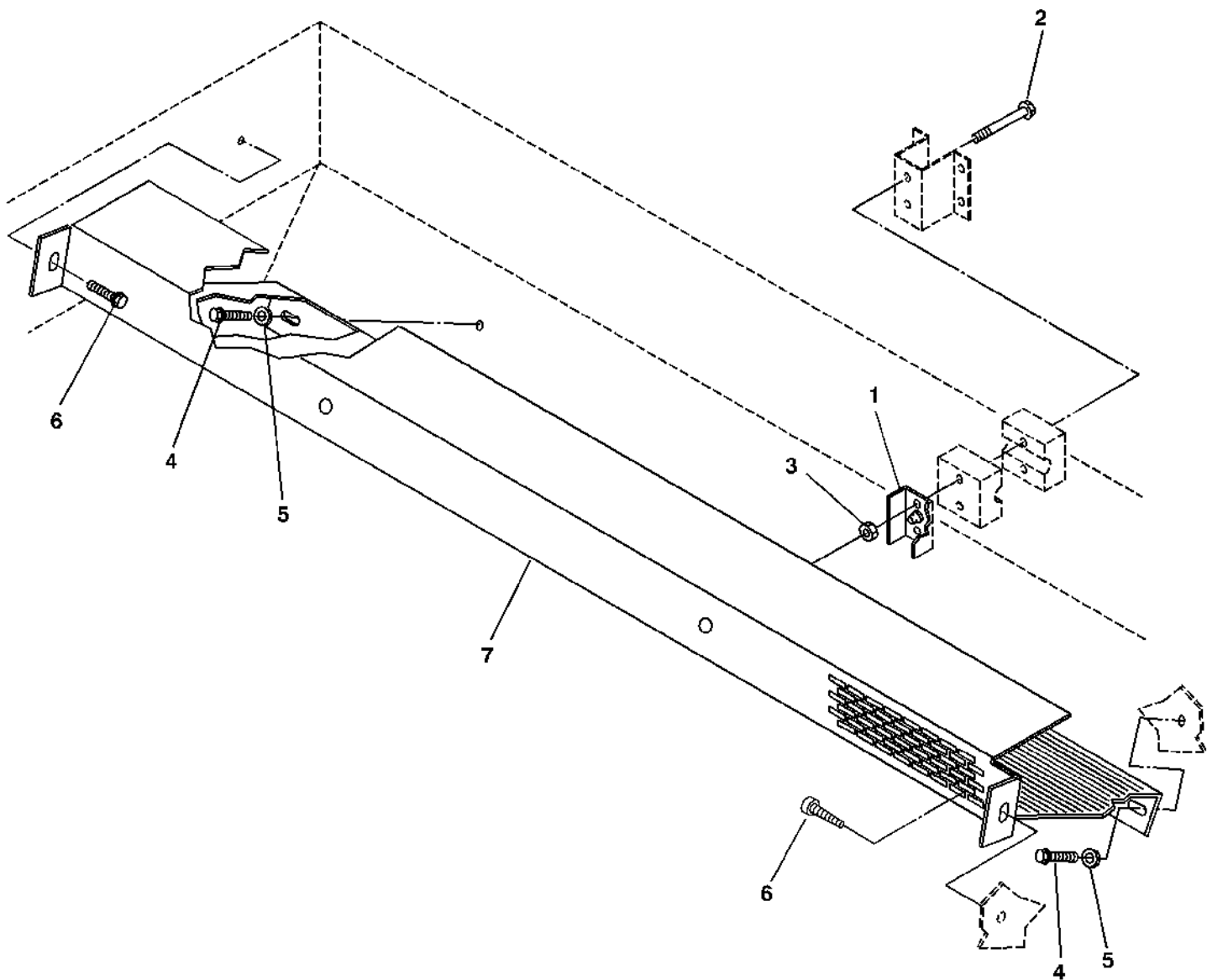
6H24

FEEDER HOUSE

CONTOUR MASTER DRIVESHAFT (2JUN97-) - CONTINUED

| KEY | PART NO. | PART NAME | QTY | SERIAL NO. | REMARKS |
|-----|----------|-----------------------------|-----|------------|---------|
| 1 | AH154742 | POWERSHAFT SHIELD | 1 | | |
| 2 | H161296 | SHIELD | 2 | | |
| 3 | AH154741 | YOKE, WITH TUBE | 1 | | |
| 4 | H161295 | YOKE WITH LOCKING COLLAR | 1 | | |
| 5 | AH154740 | PTO POWR-GARD SHIELD | 1 | | |
| 6 | AH154737 | U-JOINT,WITH SHAFT & SHIELD | 1 | | |
| 7 | H161294 | SPACER | 1 | | |
| 8 | AH154739 | YOKE, WITH SHAFT | 1 | | |
| 9 | AH154738 | UNIVERSAL JOINT YOKE | 1 | | |
| .. | AH154743 | KIT | 1 | | |

INTAKE SHIELD
HP7287 -UN-05DEC97



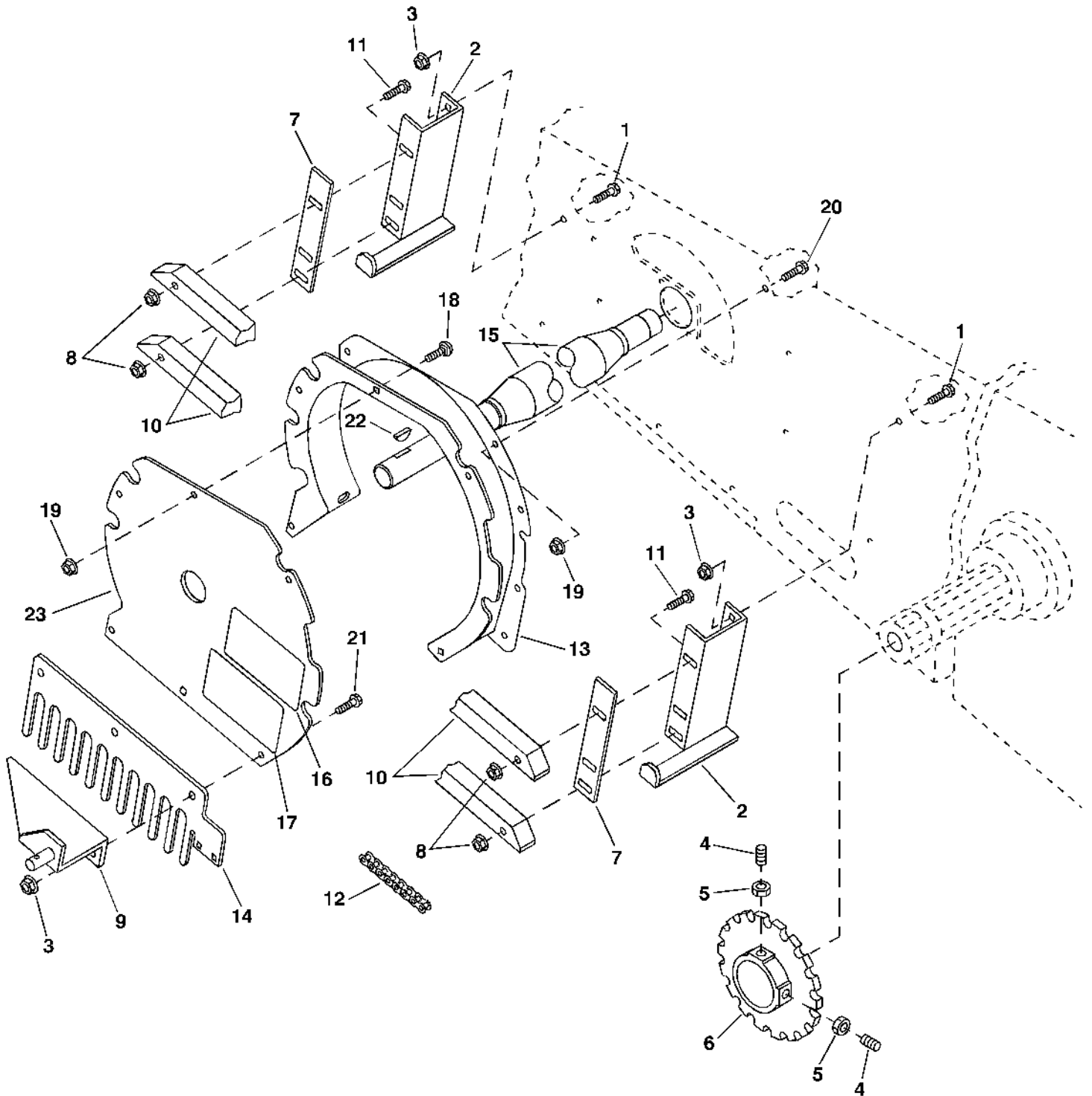
HP7287

INTAKE SHIELD

| KEY | PART NO. | PART NAME | QTY | SERIAL NO. | REMARKS |
|-----|----------------|------------------------------------|----------|------------|----------------------------------|
| 1 | AH155275 | FITTING | 1 | 29SEP7- | |
| 2 | 19M8039 | SCREW | 2 | 29SEP7- | M8 X 80 |
| 3 | 14M7396 | LOCK NUT | 2 | 29SEP7- | M8 |
| 4 | 37M7086 | SCREW | 2 | 29SEP7- | M10 X 20 |
| 5 | 24M7178 | WASHER | 2 | 29SEP7- | 10.500 X 30 X 2.500 MM |
| 6 | 37M7058 | SCREW | 2 | -28SEP7 | M8 X 20 |
| | 19M7866 | SCREW | 2 | 29SEP7- | |
| 7 | H157035 | SHIELD | 1 | -28SEP7 | |
| | H164493 | SHIELD | 1 | 29SEP7- | |
| .. | BH80537 | COMPLETE GOODS/SHIP. BUNDLE | 1 | | CLEANING FAN SHIELD, WIDE |

FEEDER CONVEYOR DRIVE CHAIN, TIGHTENER AND GUIDES-RETROFIT INSTALLATION (5JAN98-)

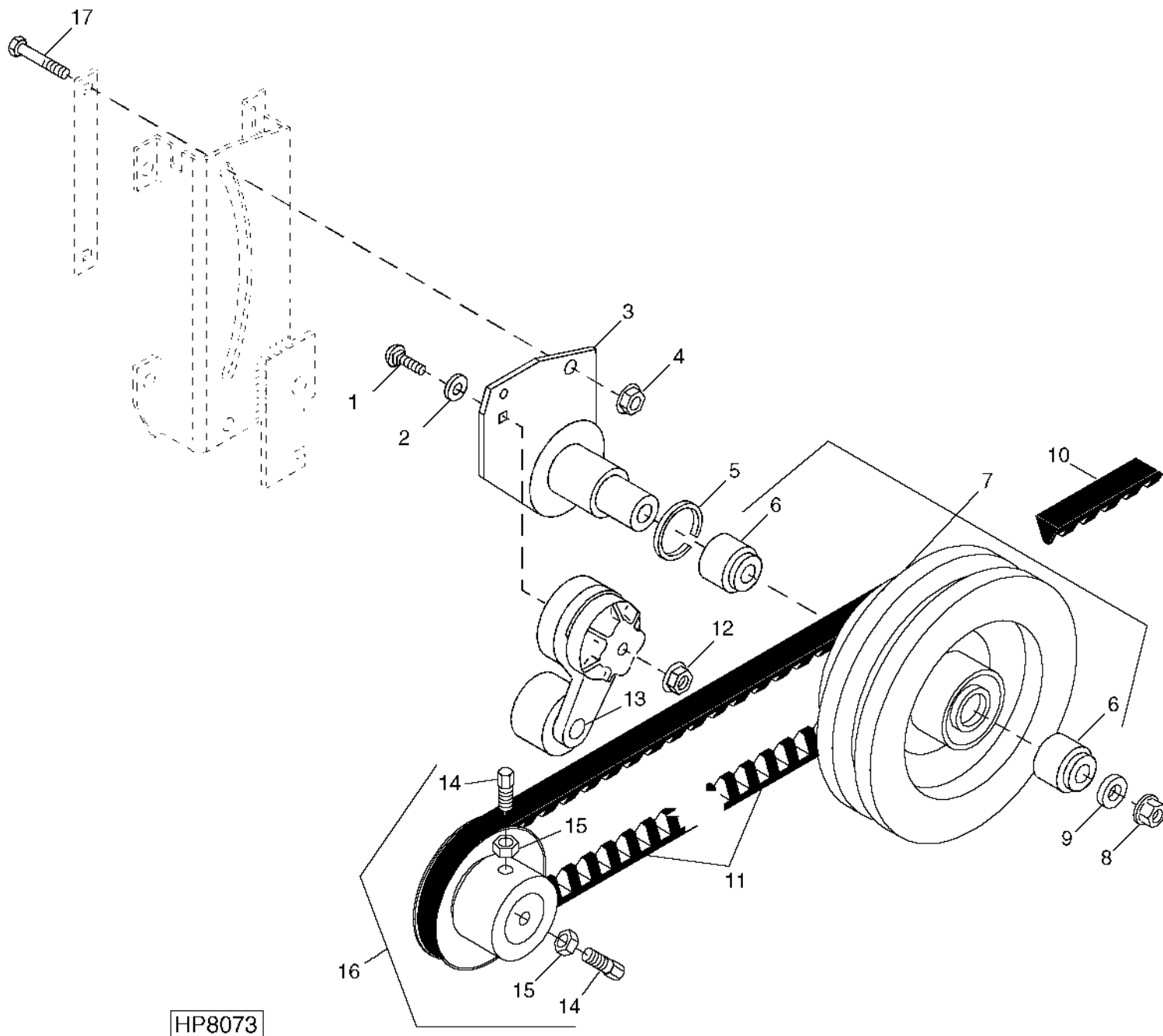
HP7294 -UN-12JAN98



HP7294

FEEDER CONVEYOR DRIVE CHAIN, TIGHTENER AND GUIDES-RETROFIT INSTALLATION - CONTINUED (5JAN98-)

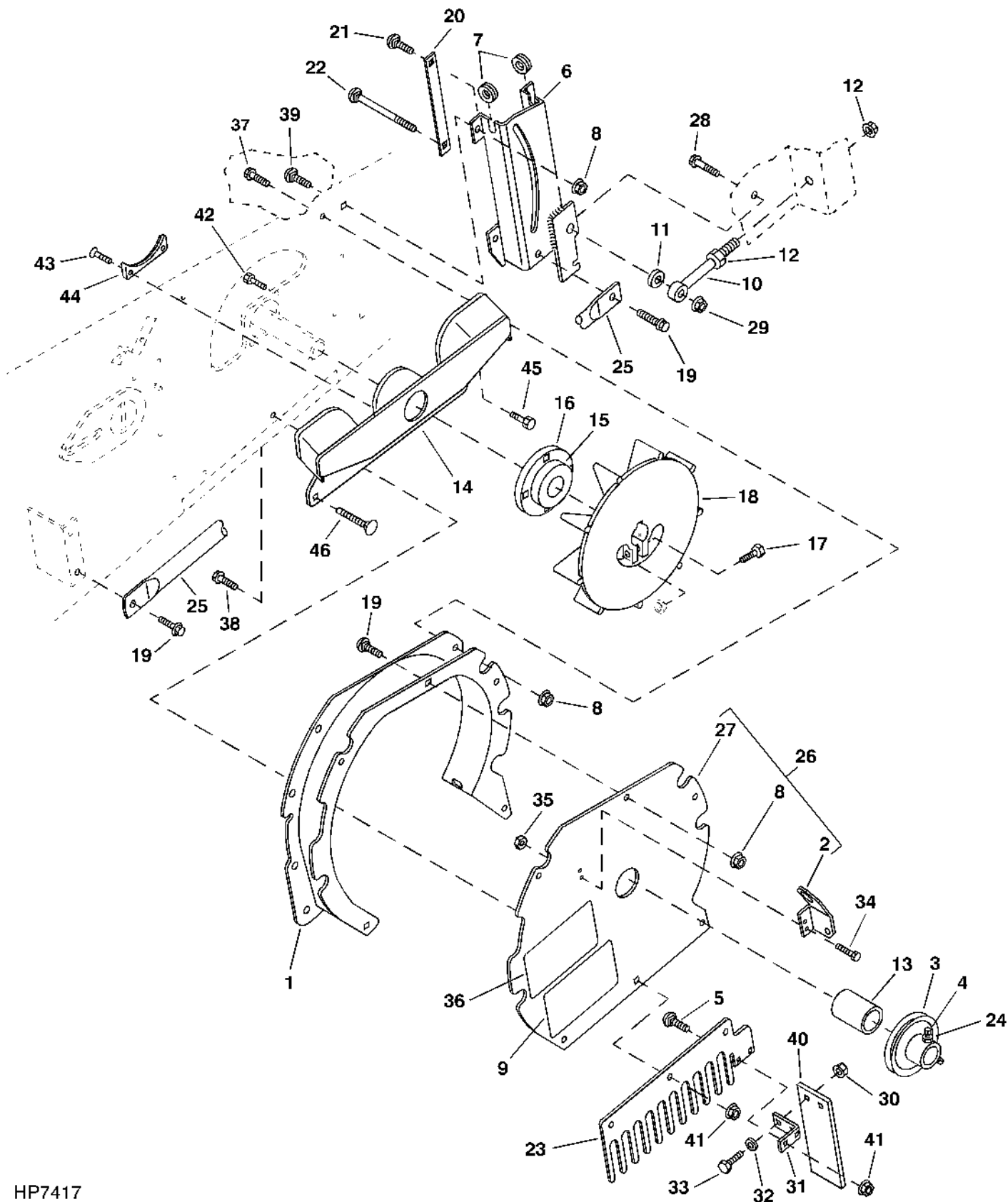
| KEY | PART NO. | PART NAME | QTY | SERIAL NO. | REMARKS |
|-----|----------------|------------------------------------|-----|------------|--|
| 1 | 03M7190 | BOLT | 2 | | |
| 2 | H162325 | BRACKET | 2 | | |
| 3 | 14M7296 | FLANGE NUT | 6 | | |
| 4 | A50743 | BOLT | 2 | | |
| 5 | 14M7272 | NUT | 2 | M6 | |
| 6 | H135772 | WHEEL | 1 | | ROLLER, TYPE 60, 19 MM (3/4") 220 LINKS (SMALL SPROCKET) AND 223 LINKS (LARGE SPROCKET); (OR ASSEMBLE FROM (4) AB1288H AND AB1289H) |
| 7 | H162326 | PLATE | 1 | | |
| 8 | 14M7400 | LOCK NUT | 4 | M10 | |
| 9 | AH155739 | BRACKET | 1 | | |
| 10 | H130530 | GUIDE | 2 | | |
| 11 | 03M7233 | BOLT | 4 | M10 X 70 | |
| 12 | AH145029 | LINK CHAIN | 1 | | |
| 13 | AH155659 | PLATE | 1 | | |
| 14 | H172177 | FINGER | 1 | | (SUB FOR H162425) |
| 15 | H164410 | SHAFT | 1 | | WIDE AIRFLOW |
| 16 | H149063 | LABEL | 1 | | |
| 17 | H164537 | SIGN | 1 | | |
| 18 | 19M7789 | SCREW | 1 | M12 X 30 | |
| 19 | 14M7299 | FLANGE NUT | 7 | M12 | |
| 20 | 03M7198 | BOLT | 6 | M12 X 30 | |
| 21 | 19M7785 | SCREW | 2 | M10 X 25 | |
| 22 | 26M6787 | SHAFT KEY | 3 | 10 X 32 MM | |
| 23 | H171318 | COVER | 1 | | (SUB FOR H162177) |
| .. | BH81391 | COMPLETE GOODS/SHIP. BUNDLE | 1 | | RETROFIT - WIDE FEEDER HOUSE |
| .. | BH81447 | COMPLETE GOODS/SHIP. BUNDLE | 1 | | RETROFIT - WIDE FEEDER HOUSE, CONTOUR MASTER |



LH SIDE FEEDER HOUSE DUST FAN BELT - RETROFIT INSTALLATION (5JAN98-) - CONTINUED

| KEY | PART NO. | PART NAME | QTY | SERIAL NO. | REMARKS |
|-----|----------------|------------------------------------|-----|--------------------|---|
| 1 | 19M7809 | SCREW | 1 | M10 X 70 | |
| 2 | 24M7028 | WASHER | 1 | 10.500 X 20 X 2 MM | |
| 3 | AH156975 | BRACKET | 1 | | |
| 4 | 14M7296 | FLANGE NUT | 5 | M10 | |
| 5 | P46874 | SNAP RING | 1 | | |
| 6 | AN142665 | BALL BEARING | 2 | | |
| 7 | AH155715 | SHEAVE | 1 | | |
| 8 | 14M7291 | FLANGE NUT | 3 | M16 | |
| 9 | 24M7315 | WASHER | 1 | 17 X 50 X 3 MM | |
| 10 | H161648 | BELT | 1 | | |
| 11 | H164452 | BELT | 1 | | |
| 12 | 14M7296 | FLANGE NUT | 3 | M10 | |
| 13 | AH155348 | TIGHTENER | 1 | | |
| 14 | H138435 | SET SCREW | 2 | M10 X 25 | |
| 15 | 14M7152 | NUT | 2 | M10 | |
| 16 | AH155707 | SHEAVE | 1 | | |
| .. | BH81391 | COMPLETE GOODS/SHIP. BUNDLE | 1 | | RETROFIT - WIDE FEEDER HOUSE |
| .. | BH81447 | COMPLETE GOODS/SHIP. BUNDLE | 1 | | RETROFIT - WIDE FEEDER HOUSE, CONTOUR MASTER |

LH SIDE FEEDER HOUSE DUST FAN - RETROFIT INSTALLATION (5JAN98-)
HP7417 -UN-11FEB98



HP7417

LH SIDE FEEDER HOUSE DUST FAN - RETROFIT INSTALLATION (5JAN98-) - CONTINUED

| KEY | PART NO. | PART NAME | QTY | SERIAL NO. | REMARKS |
|-----|----------------|------------------------------------|-----|---|---------|
| 1 | AH155657 | PLATE | 1 | | |
| 2 | H134417 | BRACKET | 1 | | |
| 3 | AH155706 | SHEAVE | 1 | | |
| | AH155707 | SHEAVE | 1 | | |
| 4 | H138435 | SET SCREW | 1 | | |
| 5 | 03M7191 | BOLT | 1 | | |
| 6 | AH155703 | BRACKET | 1 | | |
| 7 | R66626 | GROMMET | 2 | | |
| 8 | 14M7299 | FLANGE NUT | AR | M12 | |
| 9 | H164537 | SIGN | 1 | | |
| 10 | H164222 | EYEBOLT | 1 | | |
| 11 | 24M7349 | WASHER | 2 | 21 X 37 X 3 MM | |
| 12 | 14M7277 | NUT | 2 | M20 | |
| 13 | H163994 | SPACER | 1 | | |
| 14 | AH159053 | SCOOP | 1 | | |
| | AH159054 | SCOOP | 1 | | |
| 15 | AZ19427 | BALL BEARING | 1 | | |
| 16 | AH157168 | BEARING | 1 | | |
| 17 | 19M7806 | SCREW | 1 | M10 X 50 | |
| 18 | AH157415 | FAN | 1 | | |
| 19 | 19M7789 | SCREW | 3 | M12 X 30 | |
| 20 | H162211 | ADJUSTING STRAP | 1 | | |
| 21 | 03M7205 | BOLT | 1 | M16 X 40 | |
| 22 | H163175 | BOLT | 1 | | |
| 23 | H172177 | FINGER | 1 | (SUB FOR H162425) | |
| 24 | 14M7152 | NUT | 1 | M10 | |
| 25 | H162278 | BRACE | 1 | | |
| 26 | AH155833 | COVER | 1 | | |
| 27 | H171318 | COVER | 1 | (SUB FOR H162177) | |
| 28 | 19M8224 | CAP SCREW | 1 | M20 X 60 | |
| 29 | 14M7277 | NUT | 3 | M20 | |
| 30 | H135891 | LOCK NUT | 2 | -2MAR98 | |
| | 14M7400 | LOCK NUT | 2 | 2MAR98- | M10 |
| 31 | H164009 | BRACKET | 1 | | |
| 32 | 24M7178 | WASHER | 2 | 10.500 X 30 X 2.500 MM | |
| 33 | 03M7191 | BOLT | 2 | M10 X 25 | |
| 34 | 03M7183 | BOLT | 2 | M8 X 16 | |
| 35 | 14M7298 | FLANGE NUT | 2 | M8 | |
| 36 | H149063 | LABEL | 1 | | |
| 37 | 03M7198 | BOLT | 6 | M12 X 30 | |
| 38 | 19M7785 | SCREW | 2 | M10 X 25 | |
| 39 | 03M7192 | BOLT | 5 | M10 X 30 | |
| 40 | H164018 | LIMIT CURTAIN | 2 | | |
| 41 | 14M7296 | FLANGE NUT | AR | M10 | |
| 42 | H165317 | SCREW | 4 | | |
| 43 | H165318 | SCREW | 2 | | |
| 44 | H164391 | STRIPPER | 2 | | |
| 45 | 03M7198 | BOLT | 2 | | |
| 46 | 03M7197 | BOLT | 4 | M12 X 25 | |
| .. | BH81391 | COMPLETE GOODS/SHIP. BUNDLE | 1 | RETROFIT - WIDE FEEDER HOUSE | |
| .. | BH81447 | COMPLETE GOODS/SHIP. BUNDLE | 1 | RETROFIT - WIDE FEEDER HOUSE, CONTOUR MASTER | |

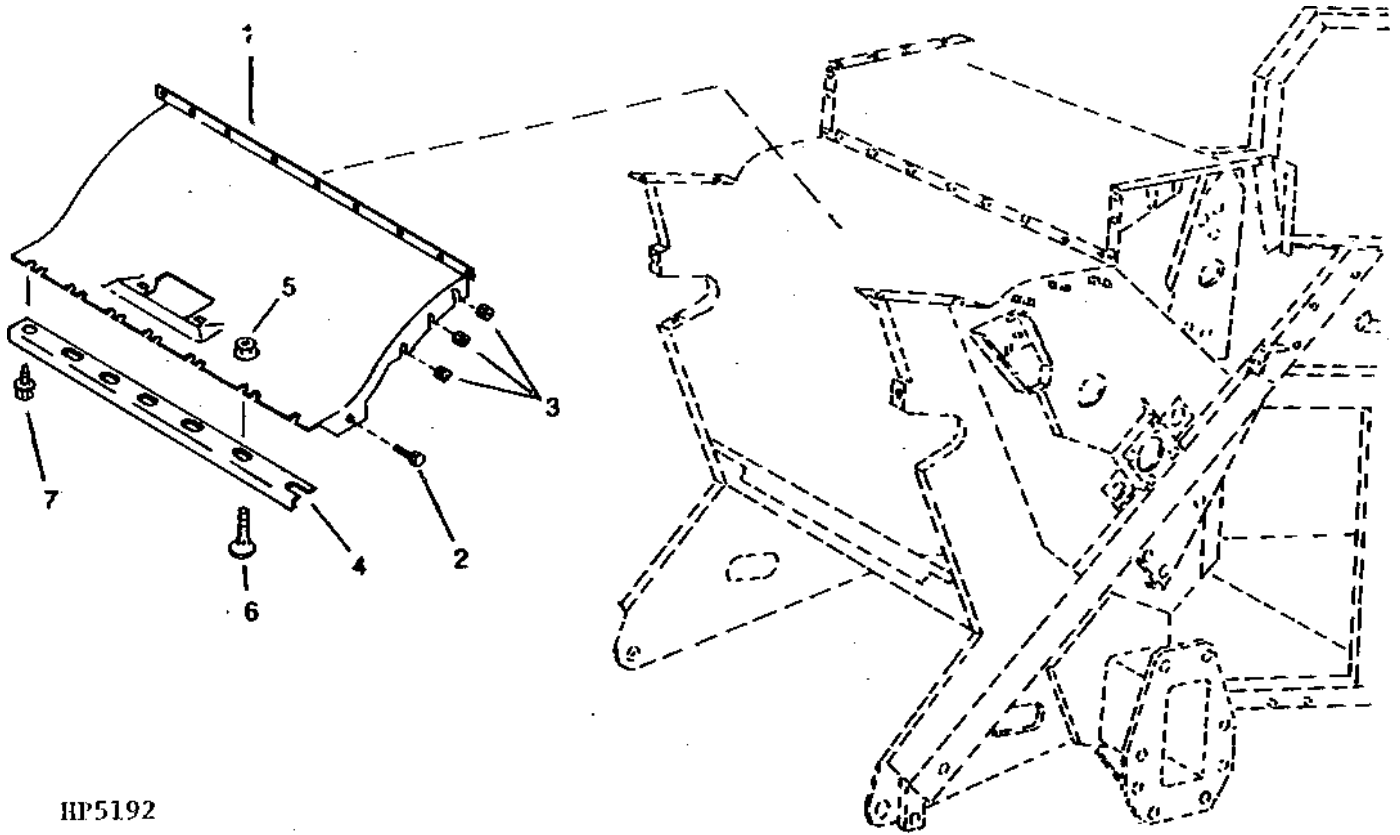
MEMORANDA

7B19

THRESHING AND SEPARATION

THRESHING CYLINDER COVER

HP5192 -UN-01JAN94



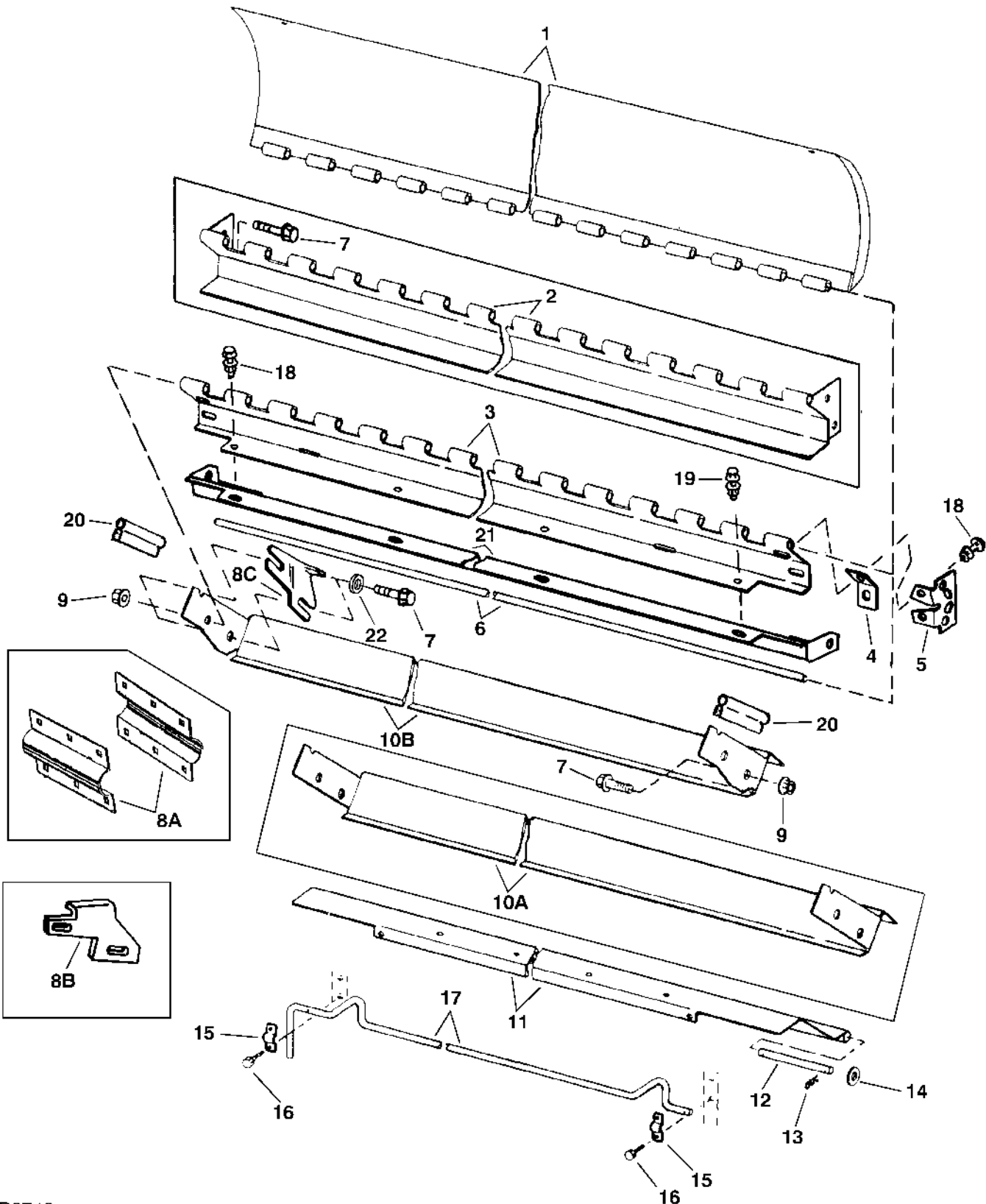
HP5192

| KEY | PART NO. | PART NAME | QTY | SERIAL NO. | REMARKS |
|-----|----------|------------|-----|---------------|-----------|
| 1 | H133105 | COVER | 1 | -640300 | |
| | AH137234 | COVER | 1 | 640301-650300 | |
| | H147844 | COVER | 1 | 650301- | |
| 2 | 19M7785 | SCREW | 2 | | M10 X 25 |
| 3 | 14M7296 | FLANGE NUT | 8 | | M10 |
| 4 | H134167 | SEAL | 1 | | CORN ONLY |
| 5 | 14M7298 | FLANGE NUT | 6 | | M8 |
| 6 | 03M7183 | BOLT | 6 | -650300 | M8 X 16 |
| 6 | 19M7866 | SCREW | 6 | 650301- | M8 X 20 |
| | 37M7092 | SCREW | 1 | | M8 X 16 |

7B20

THRESHING AND SEPARATION

SEPARATOR / FEEDER HOUSE SEAL, STONE TRAP AND DOOR
HP6749 -UN-23JUN97



HP6749

7B21

THRESHING AND SEPARATION

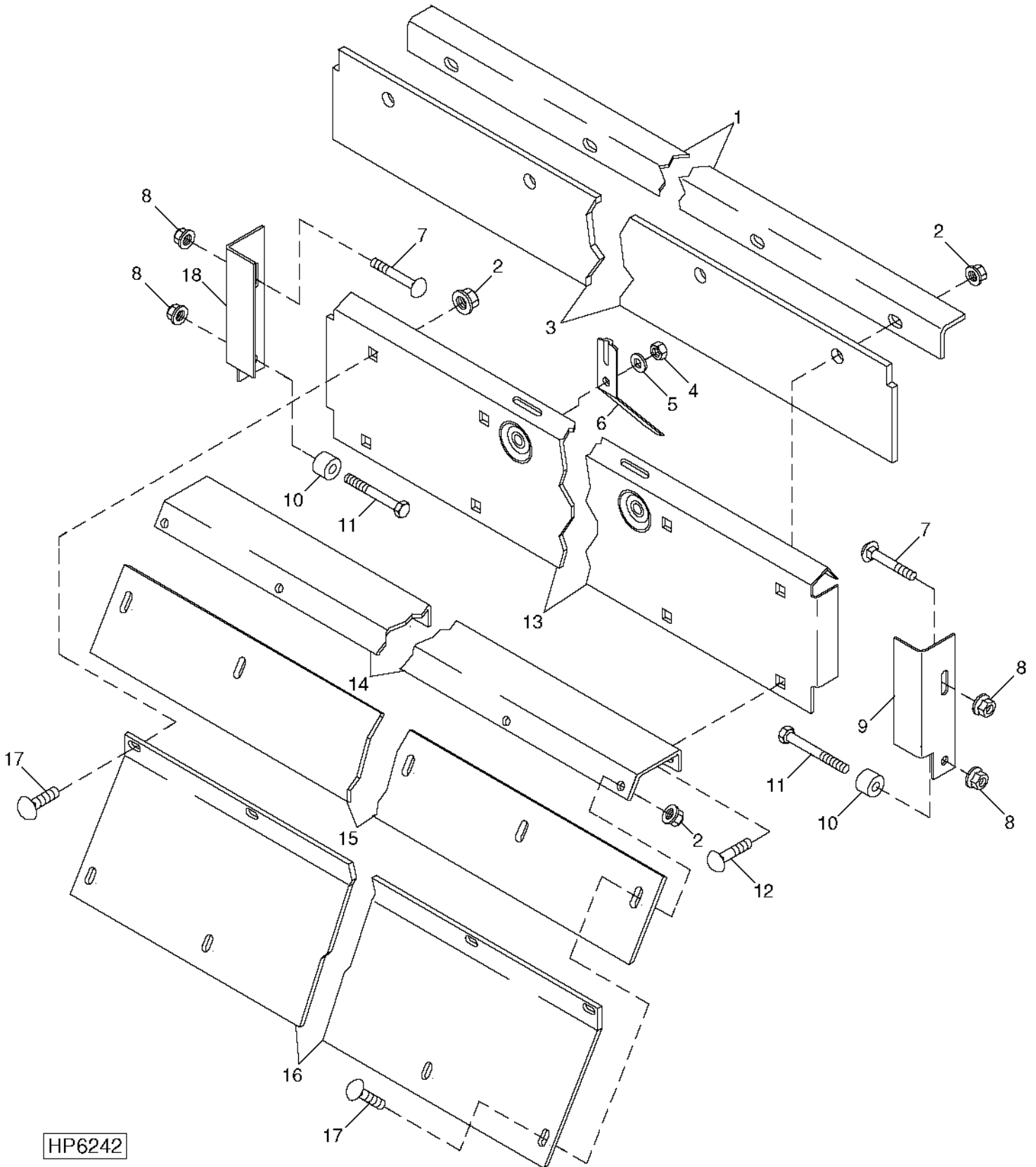
SEPARATOR / FEEDER HOUSE SEAL, STONE TRAP AND DOOR - CONTINUED

| KEY | PART NO. | PART NAME | QTY | SERIAL NO. | REMARKS |
|-----|-----------------|------------------------------------|----------|------------|---|
| 1 | AH120501 | PLATE | 1 | | |
| 2 | AH130939 | HINGE | 1 | -640655 | (SUB AH139314) |
| | AH139314 | HINGE | 1 | -650300 | (SUB (2) H148018 AND (2) H148019 AND H148020) |
| 3 | H148020 | HINGE | 1 | 650301- | |
| 4 | H148019 | REINFORCEMENT | 2 | 650401- | |
| 5 | H148018 | SUPPORT | 2 | 650401- | |
| 6 | H130057 | PIN | 1 | | 12 X 1 660 MM (0.472" X 65.354") CUT TO 1385 MM LENGTH |
| 7 | 19M7812 | SCREW | 6 | | M10 X 100 |
| 8A | H139338 | STOP | 2 | -640300 | (SUB H144801) |
| 8B | H144801 | STOP | 1 | -642112 | SHEET METAL |
| 8C | H146730 | STOP | 1 | 642113- | CASTING |
| 9 | 14M7296 | FLANGE NUT | 6 | | M10 |
| 10A | H134852 | DEFLECTOR | 1 | -657224 | (SUB H151066) |
| 10B | H151066 | DEFLECTOR | 1 | | |
| 11 | H134334 | DOOR | 1 | | |
| 12 | H118068 | PIN | 2 | -655300 | 19.050 X 260 MM, (SUB H148925) |
| | H148925 | PIN | 2 | | |
| 13 | 11M7030 | COTTER PIN | 4 | | 5 X 40 MM |
| 14 | 24M7051 | WASHER | 2 | | 21 X 37 X 3 MM |
| 15 | H134339 | BRACKET | 2 | | |
| 16 | 37M7080 | SCREW | 4 | | M10 X 30 |
| 17 | H134337 | ROD | 1 | | |
| 18 | 03M7191 | BOLT | 4 | 650301- | M10 X 25 |
| | 14M7296 | FLANGE NUT | 4 | 650301- | M10 |
| 19 | 19M7866 | SCREW | 4 | | M8 X 20 |
| | 14M7298 | FLANGE NUT | 4 | | M8 |
| 20 | H151068 | SHIELD | 2 | 657225- | |
| 21 | H148022 | ANGLE | 1 | 650301- | (FIELD CONVERSION ONLY) |
| 22 | 24M7178 | WASHER | 2 | 29SEP7- | 10.500 X 30 X 2.500 MM |
| .. | BH142781 | COMPLETE GOODS/SHIP. BUNDLE | 1 | | RAISED FEEDPLATE KIT |

7B22

THRESHING AND SEPARATION

CYLINDER DOOR
(LESS CYLINDER BAFFLE)
HP6242 -UN-24AUG99



HP6242

7B23

THRESHING AND SEPARATION

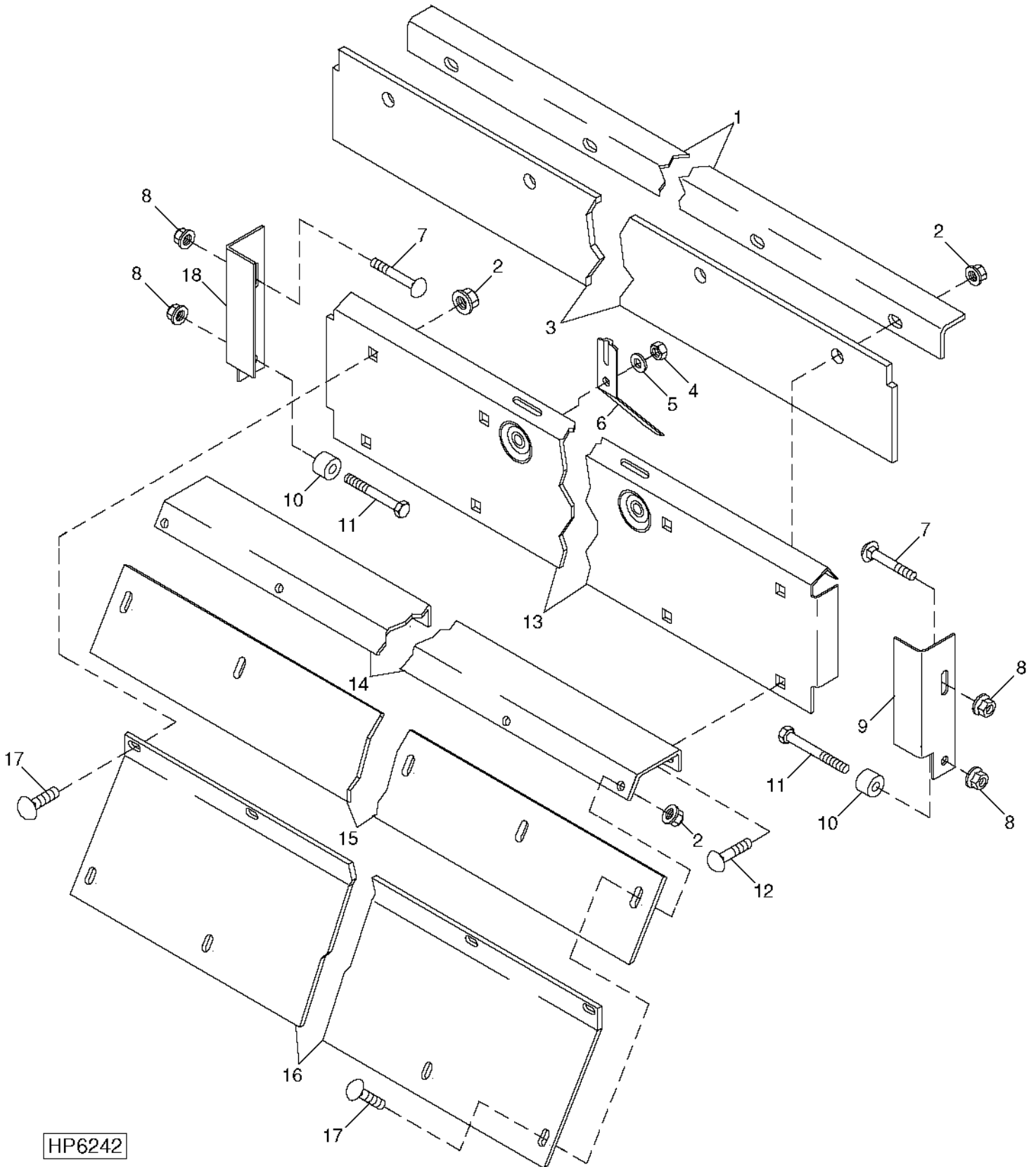
**CYLINDER DOOR - CONTINUED
(LESS CYLINDER BAFFLE)**

| KEY | PART NO. | PART NAME | QTY | SERIAL NO. | REMARKS |
|-----|----------|-----------------|-----|-------------------|---------|
| 1 | H148064 | SUPPORT | 1 | | |
| 2 | 14M7298 | FLANGE NUT | 27 | M8 | |
| 3 | H148062 | ADJUSTING STRAP | 1 | | |
| | H150132 | SEAL | 1 | | |
| 4 | 14M7396 | LOCK NUT | 2 | M8 | |
| 5 | 24M7207 | WASHER | 2 | 8.400 X 24 X 2 MM | |
| 6 | H134654 | HANDLE | 2 | | |
| 7 | 03M7247 | BOLT | 2 | M10 X 90 | |
| 8 | 14M7296 | FLANGE NUT | 4 | M10 | |
| 9 | H134165 | SUPPORT | 1 | | |
| 10 | E50096 | BUSHING | 2 | | |
| 11 | 19M7944 | SCREW | 2 | M10 X 120 | |
| 12 | 03M7185 | BOLT | 9 | M8 X 25 | |
| 13 | AH130201 | DOOR | 1 | | |
| 14 | H134153 | REINFORCEMENT | 1 | | |
| 15 | H134162 | STRIPPER | 1 | | |
| 16 | H134150 | ISOLATOR | 1 | | |
| 17 | 03M7183 | BOLT | 18 | M8 X 16 | |
| 18 | H134164 | SUPPORT | 1 | | |

7B24

THRESHING AND SEPARATION

CYLINDER DOOR
(FOR CORN) (-650300)
HP6242 -UN-24AUG99



HP6242

7B25

THRESHING AND SEPARATION

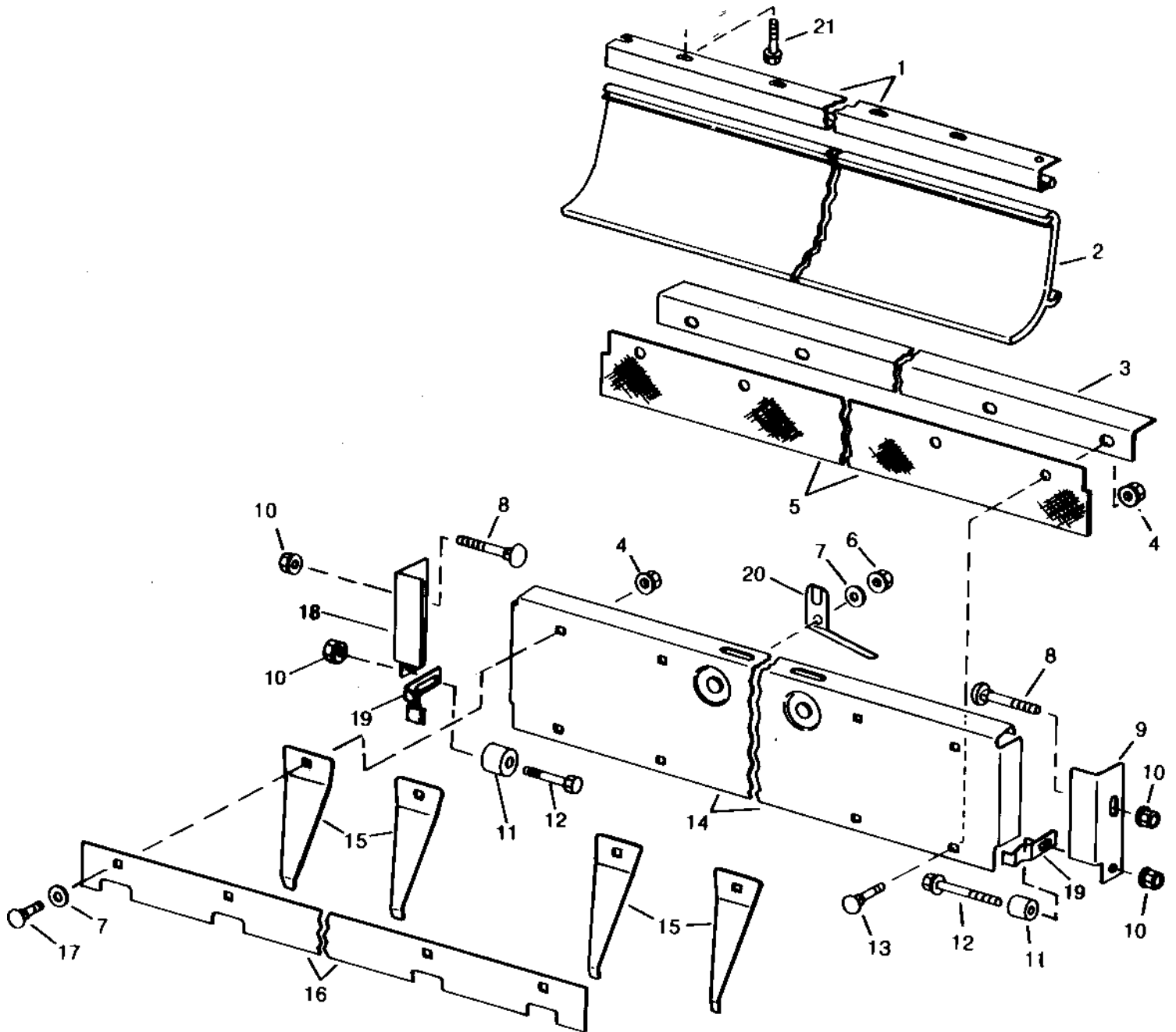
CYLINDER DOOR - CONTINUED
(FOR CORN) (-650300)

| KEY | PART NO. | PART NAME | QTY | SERIAL NO. | REMARKS |
|-----|----------|-----------------|-----|------------|-------------------|
| 1 | H134159 | SUPPORT | 1 | -650300 | (SUB H148064) |
| | H148064 | SUPPORT | 1 | | |
| 2 | 14M7298 | FLANGE NUT | 27 | | M8 |
| 3 | H134156 | SEAL | 1 | -650300 | (SUB H148062) |
| | H148062 | ADJUSTING STRAP | 1 | -655300 | (SUB H150132) |
| | H150132 | SEAL | 1 | | |
| 4 | 14M7396 | LOCK NUT | 2 | | M8 |
| 5 | 24M7207 | WASHER | 2 | | 8.400 X 24 X 2 MM |
| 6 | H134654 | HANDLE | 2 | | |
| 7 | 03M7247 | BOLT | 2 | | M10 X 90 |
| 8 | 14M7296 | FLANGE NUT | 4 | | M10 |
| 9 | H134165 | SUPPORT | 1 | | |
| 10 | E50096 | BUSHING | 2 | | |
| 11 | 19M7944 | SCREW | 2 | | M10 X 120 |
| 12 | 03M7185 | BOLT | 9 | | M8 X 25 |
| 13 | AH130201 | DOOR | 1 | | |
| 14 | H134153 | REINFORCEMENT | 1 | | |
| 15 | H134162 | STRIPPER | 1 | | |
| 16 | H134150 | ISOLATOR | 1 | | |
| 17 | 03M7183 | BOLT | 18 | | M8 X 16 |
| 18 | H134164 | SUPPORT | 1 | | |

7C1

THRESHING AND SEPARATION

CYLINDER DOOR
(CORN AND GRAIN) (650301-656005)
HP5812 -UN-04JAN96



HP5812

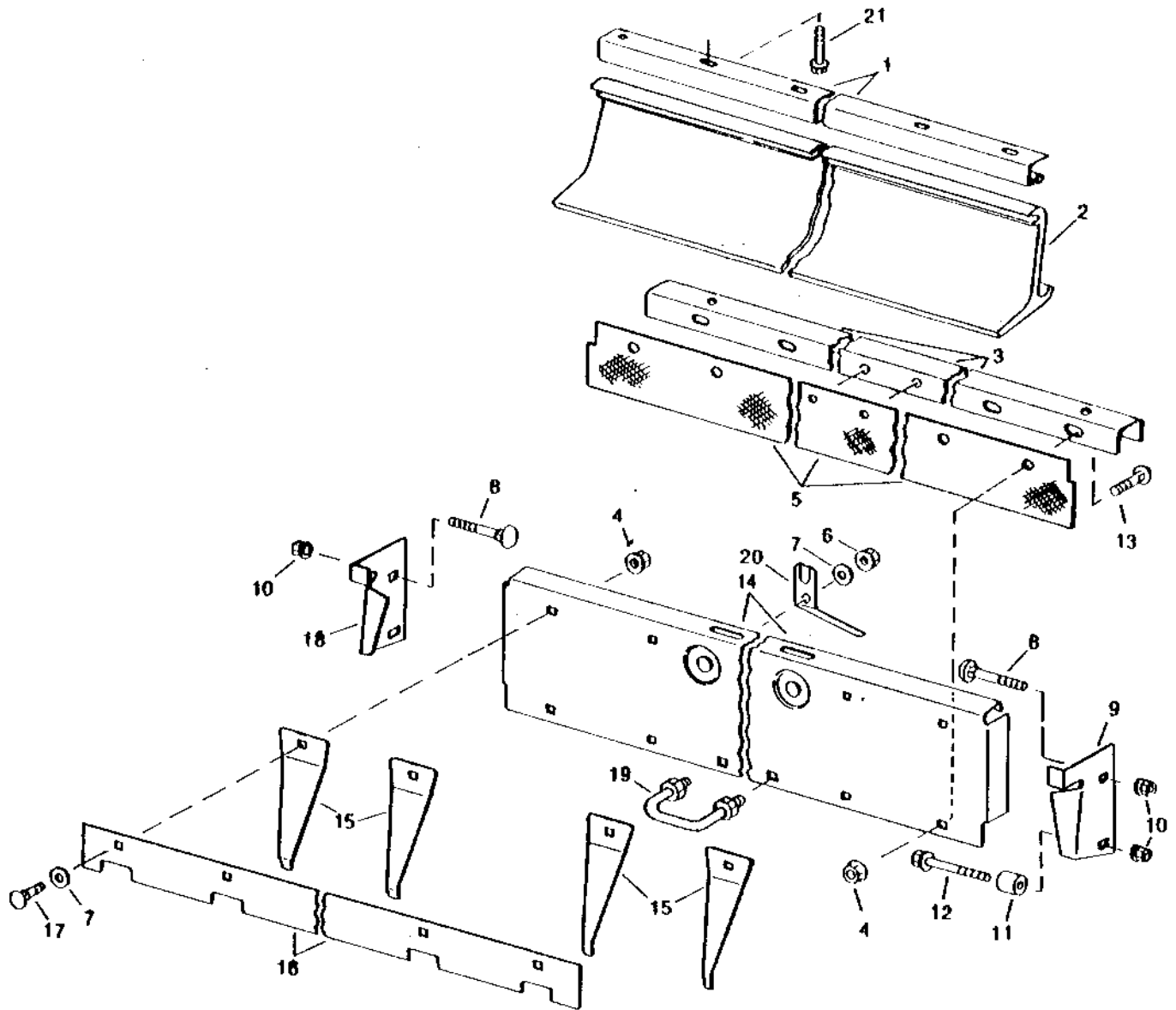
7C2

THRESHING AND SEPARATION

CYLINDER DOOR - CONTINUED (CORN AND GRAIN) (650301-656005)

| KEY | PART NO. | PART NAME | QTY | SERIAL NO. | REMARKS |
|-----|----------|-----------------|-----|------------|---|
| 1 | AH142421 | CHANNEL | 1 | | (SUB H150128) |
| | H150127 | HINGE | 1 | | |
| 2 | AH142552 | DOOR | 1 | | |
| 3 | H148064 | SUPPORT | 1 | | |
| 4 | 14M7298 | FLANGE NUT | 14 | | M8 |
| 5 | H148062 | ADJUSTING STRAP | 1 | -655300 | (SUB H150132) |
| | H150132 | SEAL | 1 | | |
| 6 | 14M7396 | LOCK NUT | 2 | | M8 |
| 7 | 24M7207 | WASHER | 2 | | 8.400 X 24 X 2 MM |
| 8 | 03M7247 | BOLT | 2 | | M10 X 90 |
| 9 | H134165 | SUPPORT | 1 | | R.H. |
| 10 | 14M7296 | FLANGE NUT | 4 | | M10 |
| 11 | E50096 | BUSHING | 2 | | 10.312 X 25.400 X 27.940 MM (13/32" X 1" X 1.100") |
| 12 | 19M7944 | SCREW | 2 | | M10 X 120 |
| 13 | 03M7185 | BOLT | 8 | | M8 X 25 |
| 14 | AH130201 | DOOR | 1 | | |
| 15 | H148058 | SPRING | 4 | | |
| 16 | H148067 | STRIP | 1 | | |
| 17 | 03M7183 | BOLT | 6 | | M8 X 16 |
| 18 | H134164 | SUPPORT | 1 | | L.H. |
| 19 | H148057 | STOP | 2 | | |
| 20 | H134654 | HANDLE | 2 | | |
| 21 | 19M7866 | SCREW | 4 | | |

CYLINDER DOOR
(656006-)
HP5678 -UN-01JAN94



HP5678

7C4

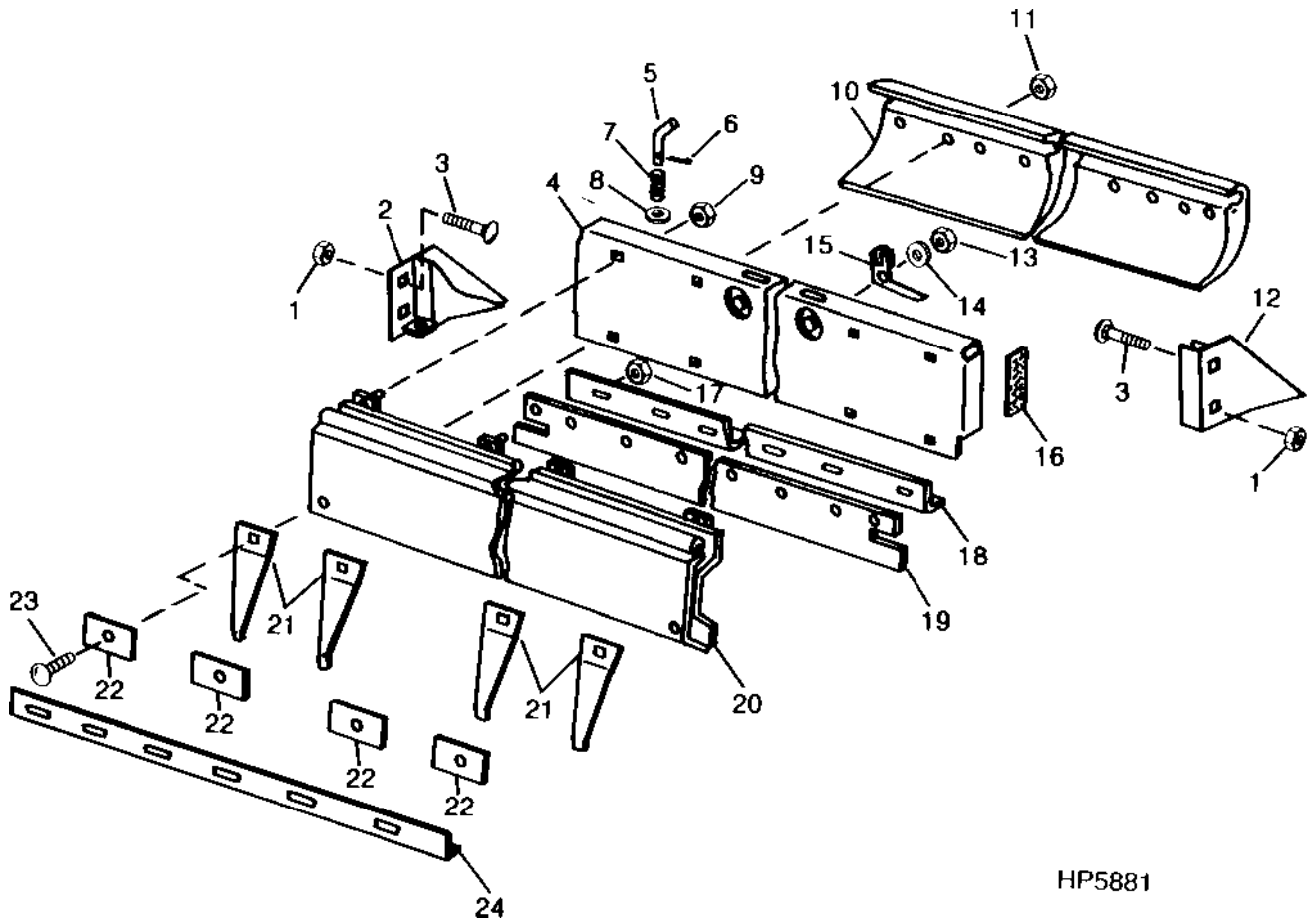
THRESHING AND SEPARATION

CYLINDER DOOR - CONTINUED (656006-)

| KEY | PART NO. | PART NAME | QTY | SERIAL NO. | REMARKS |
|-----|----------|------------|-----|------------|---|
| 1 | H150127 | HINGE | 1 | | |
| 2 | AH144103 | DEFLECTOR | 1 | | (USE WITH H150134) |
| | H150134 | SEAL | 1 | | |
| 3 | H150129 | SUPPORT | 1 | | |
| 4 | 14M7298 | FLANGE NUT | 7 | M8 | |
| 5 | H150132 | SEAL | 1 | | |
| 6 | 14M7396 | LOCK NUT | 2 | M8 | |
| 7 | 24M7047 | WASHER | 2 | | 13 X 24 X 2.500 MM (0.512" X 0.945" X 0.098") |
| 8 | 03M7247 | BOLT | 2 | | M10 X 90 |
| 9 | | SUPPORT | 1 | | (ORDER AH144609) (INCLUDES BOTH R.H. AND L.H. SUPPORTS) |
| 10 | 14M7296 | FLANGE NUT | 4 | M10 | |
| 11 | E50096 | BUSHING | 2 | | 10.312 X 25.400 X 27.940 MM (13/32" X 1" X 1.100") |
| 12 | 19M7944 | SCREW | 2 | | M10 X 120 |
| 13 | 03M7185 | BOLT | 8 | -655300 | M8 X 25 |
| | 03M7184 | BOLT | 9 | 655301- | M8 X 20 |
| 14 | AH130201 | DOOR | 1 | | |
| 15 | H148058 | SPRING | 5 | | |
| 16 | H148067 | STRIP | 1 | | |
| 17 | 03M7183 | BOLT | 7 | | M8 X 16 |
| 18 | | SUPPORT | 1 | | (ORDER AH144609) (INCLUDES BOTH R.H. AND L.H. SUPPORTS) |
| 19 | H150131 | U-BOLT | 2 | | (SUB AH144609) |
| | 14H785 | NUT | 1 | | 7.925 MM (5/16") |
| | 14H1042 | NUT | 1 | | 7.925 MM (5/16") |
| 20 | H134654 | HANDLE | 2 | | |
| 21 | 19M7866 | SCREW | 7 | | M8 X 20 |

7C5

CORN CYLINDER DOOR
(ARGENTINA ONLY)
HP5881 -UN-20JUL95



HP5881

7C6

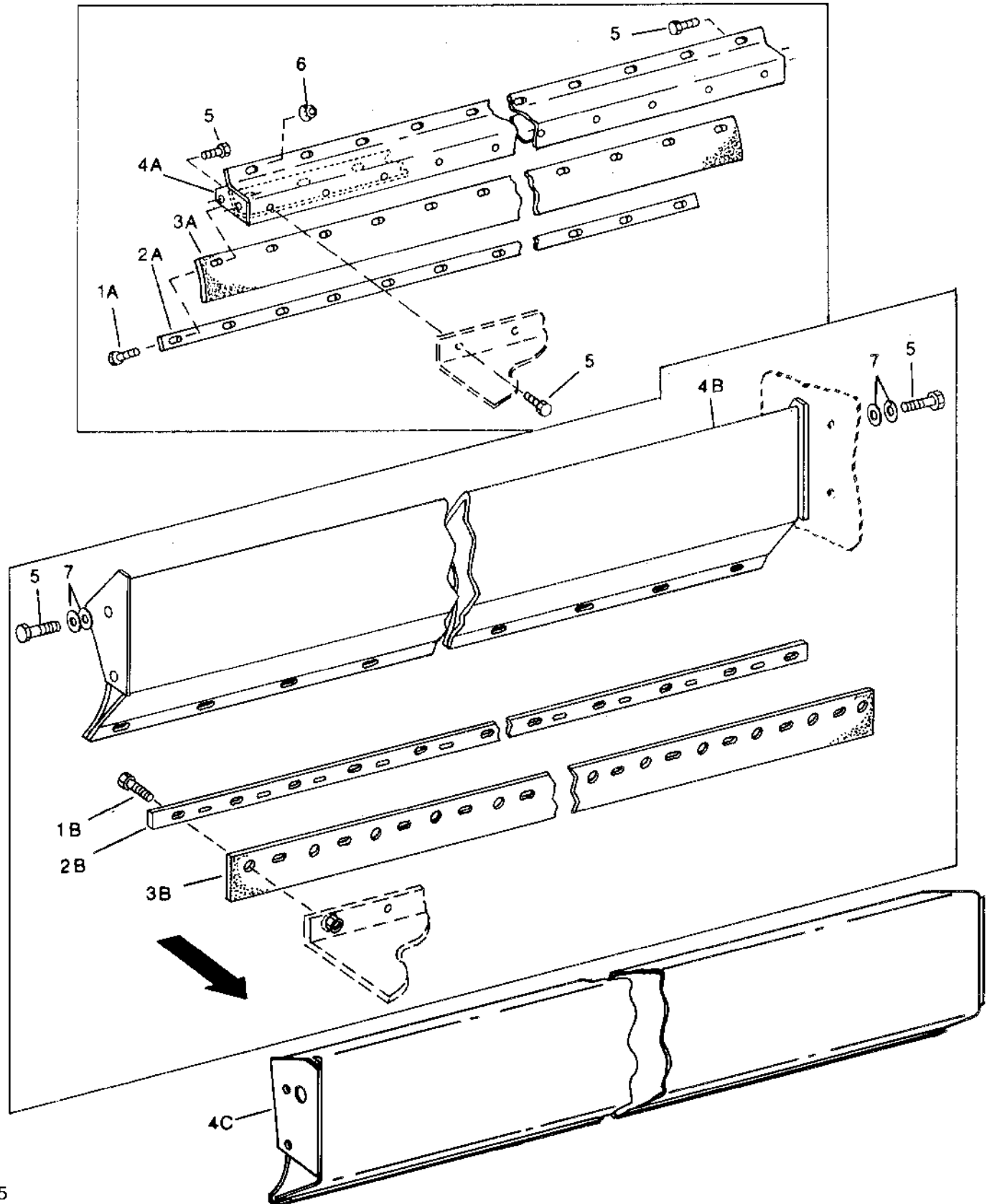
THRESHING AND SEPARATION

CORN CYLINDER DOOR - CONTINUED (ARGENTINA ONLY)

| KEY | PART NO. | PART NAME | QTY | SERIAL NO. | REMARKS |
|-----|----------|------------|-----|---|---------|
| 1 | 14M7296 | FLANGE NUT | 2 | M10 | |
| 2 | AH144777 | STOP | 1 | L.H. | |
| 3 | 03M7247 | BOLT | 2 | M10 X 90 | |
| 4 | AH144600 | DOOR | 1 | | |
| 5 | H150746 | PIN | 2 | | |
| 6 | 11M7059 | COTTER PIN | 2 | 3.200 X 20 MM (0.126" X 0.787") | |
| 7 | HZ5621H | SPRING | 2 | | |
| 8 | 24H1305 | WASHER | 2 | 10.312 X 20.625 X 1.651 MM (13/32" X 13/16" X 0.065") | |
| 9 | 14M7298 | FLANGE NUT | 5 | M8 | |
| 10 | H150515 | DEFLECTOR | 1 | | |
| 11 | 14M7165 | LOCK NUT | 4 | M6 | |
| 12 | AH144776 | STOP | 1 | R.H. | |
| 13 | 14M7396 | LOCK NUT | 2 | M8 | |
| 14 | 24M7207 | WASHER | 2 | 8.400 X 24 X 2 MM (0.331" X 0.945" X 0.079") | |
| 15 | H134654 | HANDLE | 2 | | |
| 16 | H150134 | SEAL | 2 | | |
| 17 | 14M7166 | LOCK NUT | 9 | M8 | |
| 18 | H151049 | ANGLE | 1 | | |
| 19 | H151477 | SEAL | 1 | | |
| 20 | AH144602 | PANEL | 1 | | |
| 21 | H148058 | SPRING | 4 | | |
| 22 | H150682 | STRAP | 4 | | |
| 23 | 19M6755 | CAP SCREW | 4 | M6 X 35 | |
| 24 | H151528 | SEAL | 1 | | |

7C7

CYLINDER SHEAR BAR
HP6565 -UN-15NOV96



HP6565

7C8

THRESHING AND SEPARATION

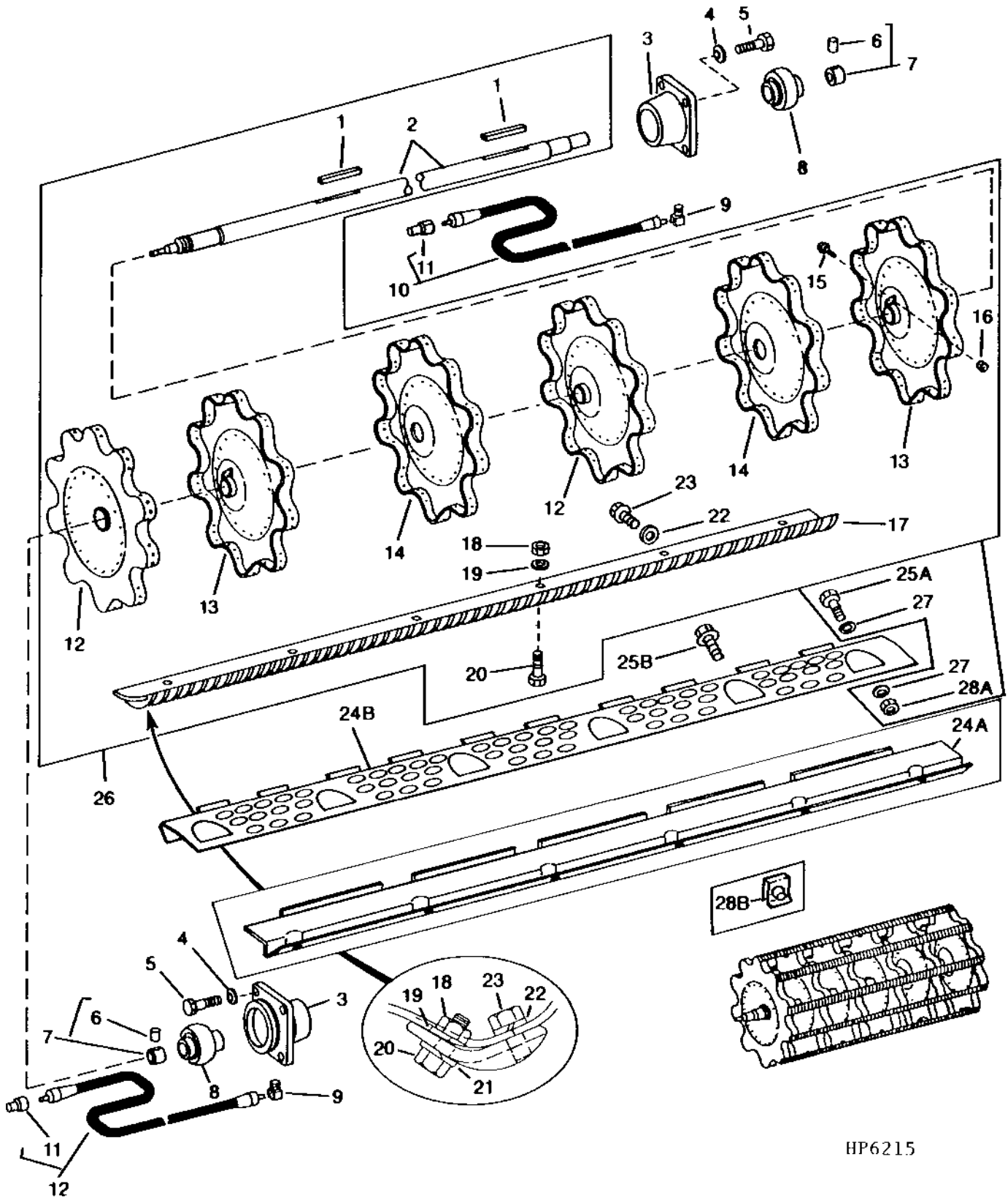
CYLINDER SHEAR BAR - CONTINUED

| KEY | PART NO. | PART NAME | QTY | SERIAL NO. | REMARKS |
|-----|----------|------------|-----|---------------|------------------------|
| 1A | 37M7096 | SCREW | 13 | -640300 | M8 X 35 |
| | 37M7096 | SCREW | 13 | 29SEP7- | M8 X 35 |
| 1B | 19M7867 | SCREW | 10 | 640301-650300 | M8 X 25 |
| | 19M7867 | SCREW | 10 | 29SEP7- | M8 X 25 |
| 2A | H100067 | STRIP | 1 | -640300 | |
| | H100067 | STRIP | 1 | 29SEP7- | SERVICE ONLY |
| 2B | H143388 | STRIP | 1 | 640301-650300 | |
| | H143388 | STRIP | 1 | 29SEP7- | SERVICE ONLY |
| 3A | H89752 | SEAL | 1 | -640300 | |
| | H89752 | SEAL | 1 | 29SEP7- | SERVICE ONLY |
| 3B | H143386 | SEAL | 1 | 640301-650300 | |
| | H143386 | SEAL | 1 | 29SEP7- | SERVICE ONLY |
| 4A | AH126294 | TIE BAR | 1 | -640300 | |
| | AH126294 | TIE BAR | 1 | 29SEP7- | SERVICE ONLY |
| 4B | AH137232 | STRIPPER | 1 | 640301-650300 | |
| | AH137232 | STRIPPER | 1 | 29SEP7- | SERVICE ONLY |
| 4C | AH141617 | STRIPPER | 1 | 650301-29SEP7 | |
| 5 | 37M7080 | SCREW | 11 | -640300 | M10 X 30 |
| | 37M7080 | SCREW | 4 | 640301-29SEP7 | M10 X 30 |
| | 37M7080 | SCREW | 11 | 29SEP7- | M10 X 30 |
| 6 | 14M7298 | FLANGE NUT | 7 | -640300 | M8 |
| | 14M7298 | FLANGE NUT | 7 | 29SEP7- | M8 |
| 7 | 24M7101 | WASHER | 4 | 645388-5FEB96 | 11 X 34 X 3 MM |
| | 24M7178 | WASHER | 4 | 5FEB96-29SEP7 | 10.500 X 30 X 2.500 MM |

7C9

THRESHING AND SEPARATION

RASP BAR THRESHING CYLINDER
HP6215 -UN-04JAN96



HP6215

7C10

THRESHING AND SEPARATION

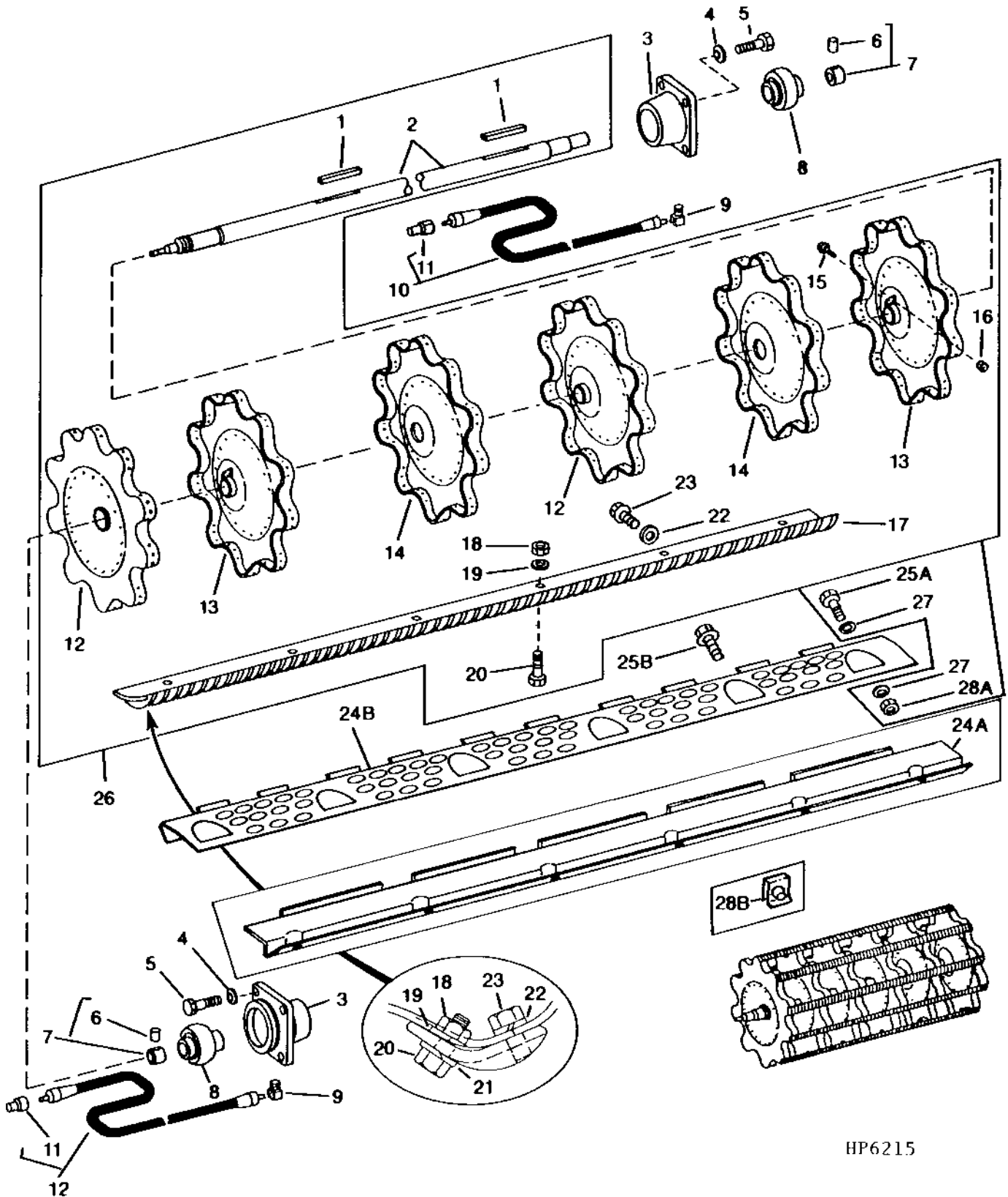
RASP BAR THRESHING CYLINDER - CONTINUED

| KEY | PART NO. | PART NAME | QTY | SERIAL NO. | REMARKS |
|-----|----------------|------------------------------------|----------|------------|--|
| 1 | | SHAFT KEY | 2 | | (CUT FROM H64376) IN AH64587 KEY STOCK KIT |
| 2 | H140042 | SHAFT | 1 | | DUAL RANGE |
| | H145969 | SHAFT | 1 | | (SUB FOR H127971) SINGLE RANGE |
| 3 | H99149 | HOUSING | 2 | | |
| 4 | 12H304 | LOCK WASHER | 8 | | 3/8" |
| 5 | 19H1732 | CAP SCREW | 8 | -641944 | 3/8" X 1-1/4" |
| | 19M7785 | SCREW | 8 | 641945- | M10 X 25 |
| 6 | | SET SCREW | 2 | | |
| 7 | JD10342 | ECCENTRIC LOCKING COLLAR | 2 | | |
| 8 | JD10343 | BALL BEARING | 2 | | |
| 9 | JD7845 | ELBOW FITTING | 2 | | |
| 10 | AH121009 | HOSE | 2 | | 1/8" X 910 MM (35-3/4") X 1/8" |
| 11 | JD7759 | LUBRICATION FITTING | 2 | | |
| 12 | AH126720 | THRESHING CYLINDER HEAD | 2 | | WITH PILOT HUB |
| 13 | AH126719 | THRESHING CYLINDER HEAD | 2 | | WITH KEYED HUB |
| 14 | H131878 | THRESHING CYLINDER HEAD | 3 | | |
| 15 | 19H1820 | CAP SCREW | 2 | | 1/2" X 3" |
| | 12H301 | LOCK WASHER | 2 | | 1/2" |
| 16 | 14H809 | NUT | 2 | -651354 | 1/2", (SUB 14H1040) |
| | 14H1040 | NUT | 2 | | 1/2" |
| 17 | AH134143 | RASP BAR | 1 | | LEFT-HAND (PACKAGE OF FIVE) (CHROMED) (SUB AH161389) |
| | AH139767 | RASP BAR | 1 | | (SUB AH161411) SMOOTH RASP BAR |
| | AH161389 | RASP BAR | 1 | | L.H. CHROMED (METRIC) |
| | AH161390 | RASP BAR | 1 | | (SUB FOR AH134142) R.H. CHROMED (METRIC) |
| | AH161395 | RASP BAR | 1 | | (SUB FOR AH139431) L.H. BLACK (METRIC) |
| | AH161398 | RASP BAR | 1 | | (SUB FOR AH139430) R.H. BLACK (METRIC) |
| | AH161411 | RASP BAR | 1 | | SMOOTH RASP BAR (METRIC) |
| 18 | H99923 | LOCK NUT | 70 | | 9.525 MM (3/8") WITH RASP BAR |
| 19 | 24H1308 | WASHER | 70 | | 13/32" X 1" X 0.134", WITH RASP BAR |
| 20 | 19H3239 | CAP SCREW | 70 | | |
| | 19M7402 | CAP SCREW | AR | | M10 X 25 |
| 21 | 24H1303 | WASHER | 2 | | 13/32" X 11/16" X 0.065" |
| 22 | 12H304 | LOCK WASHER | 70 | | 3/8" |
| .. | BH80021 | COMPLETE GOODS/SHIP. BUNDLE | 1 | | SPIKE TOOTH TO RASPBAR CONVERSION |
| .. | BH71876 | COMPLETE GOODS/SHIP. BUNDLE | 1 | | RASPBAR TO SPIKE TOOTH CONVERSION |
| .. | BH79654 | COMPLETE GOODS/SHIP. BUNDLE | 1 | | CYLINDER FILLER PLATES |
| .. | BH81161 | COMPLETE GOODS/SHIP. BUNDLE | 1 | | PERFORATED FILLER PLATES - WIDE |

7C11

THRESHING AND SEPARATION

RASP BAR THRESHING CYLINDER
HP6215 -UN-04JAN96



HP6215

7C12

THRESHING AND SEPARATION

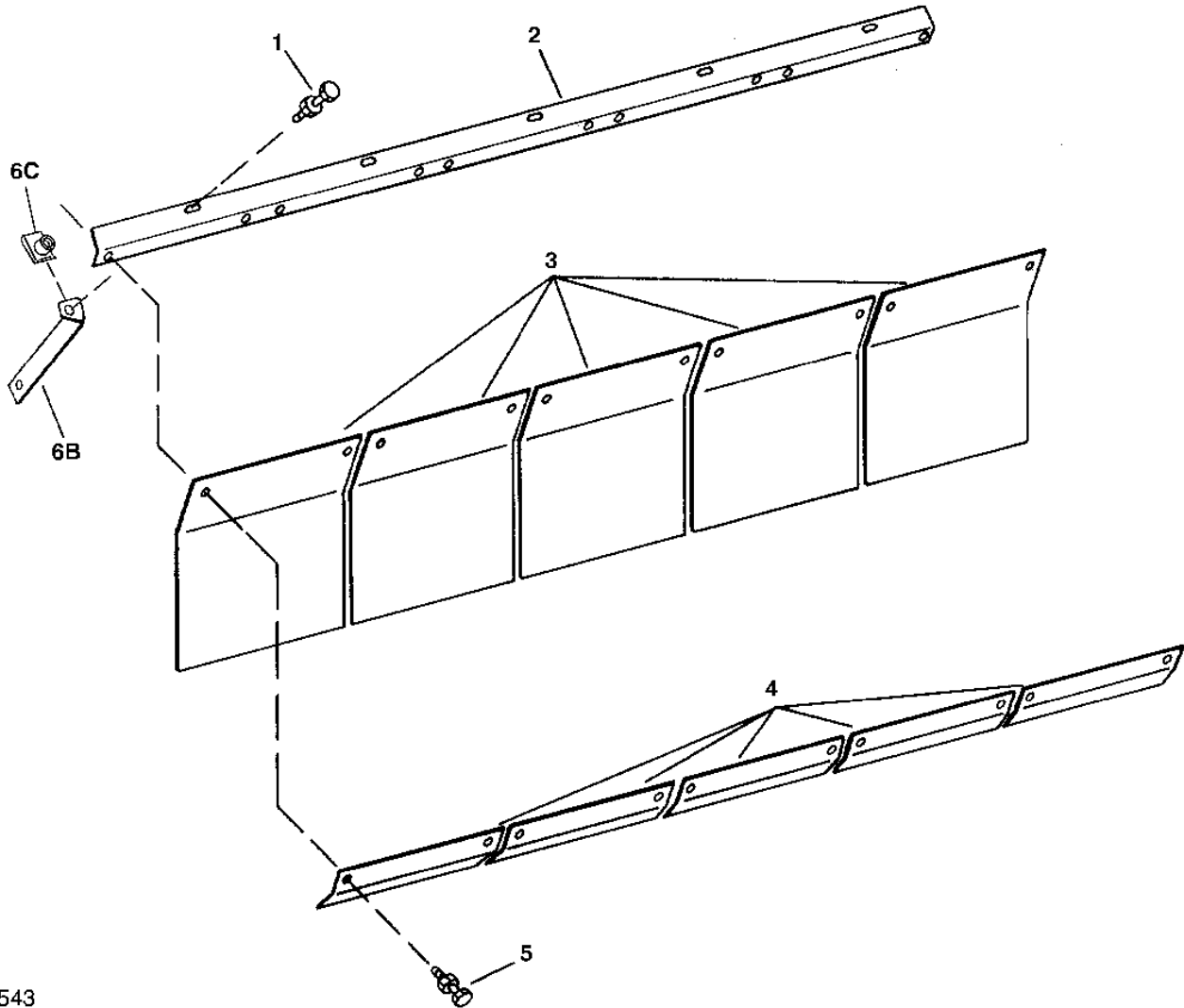
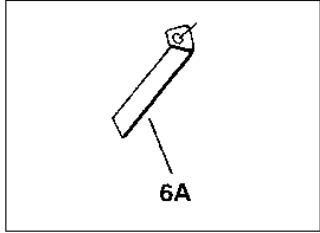
RASP BAR THRESHING CYLINDER - CONTINUED

| KEY | PART NO. | PART NAME | QTY | SERIAL NO. | REMARKS |
|-----|----------------|------------------------------------|----------|------------|--|
| 23 | 19H2554 | CAP SCREW | 70 | 657879- | (SUB FOR H89853) USE WITH ENGLISH RASP BARS |
| | 19M7783 | SCREW | 70 | | M10 X 16, USE WITH METRIC RASP BARS |
| 24A | H135987 | DEFLECTOR | 10 | -640300 | |
| | H144036 | DEFLECTOR | 10 | -665300 | |
| 24B | H150836 | DEFLECTOR | 10 | 665301- | PERFORATED |
| 25A | 19M7785 | SCREW | 70 | -640300 | |
| 25B | H145773 | SELF-LOCKING SCREW | 70 | 640301- | M10 X 35 |
| 26 | AH140130 | RASP-BAR CYLINDER | 1 | | (SUB FOR AH127610) SINGLE RANGE WITH CHROMED BARS |
| | AH144542 | RASP-BAR CYLINDER | 1 | | (SUB AH162845) DUAL RANGE WITH BLACK BARS |
| | AH144543 | RASP-BAR CYLINDER | 1 | | (SUB AH162851) SINGLE RANGE WITH BLACK BARS |
| | AH162845 | RASP-BAR CYLINDER | 1 | | DUAL RANGE WITH BLACK BARS |
| | AH162851 | RASP-BAR CYLINDER | 1 | | SINGLE RANGE WITH BLACK BARS |
| | AH162857 | RASP-BAR CYLINDER | 1 | | (INCLUDES T16464) (SUB FOR AH134657) DUAL RANGE WITH CHROMED BARS |
| 27 | 24H1308 | WASHER | 140 | | |
| 28A | 14M7465 | LOCK NUT | 140 | -640300 | M10, WITH DEFLECTOR |
| 28B | H146457 | NUT | 140 | 640301- | 10 MM (0.394") WITH DEFLECTOR |
| .. | AH140416 | PACKAGE OF PARTS | 1 | | (SUB (60) H145773, (60) H146457 AND (60) 24H1308) |
| .. | AH161818 | KIT | 1 | | (SUB AH163920 OR AH163921) (SUB FOR AH146116) (INCLUDES (70) A51212, (70) 19M7402, (70) 19M7783 AND (70) 24M7028) METRIC |
| .. | AH163920 | KIT | 2 | | (INCLUDES (35) H135891, (35) 19M7402 AND (35) 19M7783) METRIC |
| .. | AH163921 | KIT | 1 | | (INCLUDES (14) H135891, (14) 19M7402 AND (14) 24M7028) METRIC |
| .. | BH80021 | COMPLETE GOODS/SHIP. BUNDLE | 1 | | SPIKE TOOTH TO RASPBAR CONVERSION |
| .. | BH71876 | COMPLETE GOODS/SHIP. BUNDLE | 1 | | RASPBAR TO SPIKE TOOTH CONVERSION |
| .. | BH79654 | COMPLETE GOODS/SHIP. BUNDLE | 1 | | CYLINDER FILLER PLATES |
| .. | BH81161 | COMPLETE GOODS/SHIP. BUNDLE | 1 | | PERFORATED FILLER PLATES - WIDE |

7C13

THRESHING AND SEPARATION

BEATER GRATE CURTAIN
HP6543 -UN-23AUG96



HP6543

7C14

THRESHING AND SEPARATION

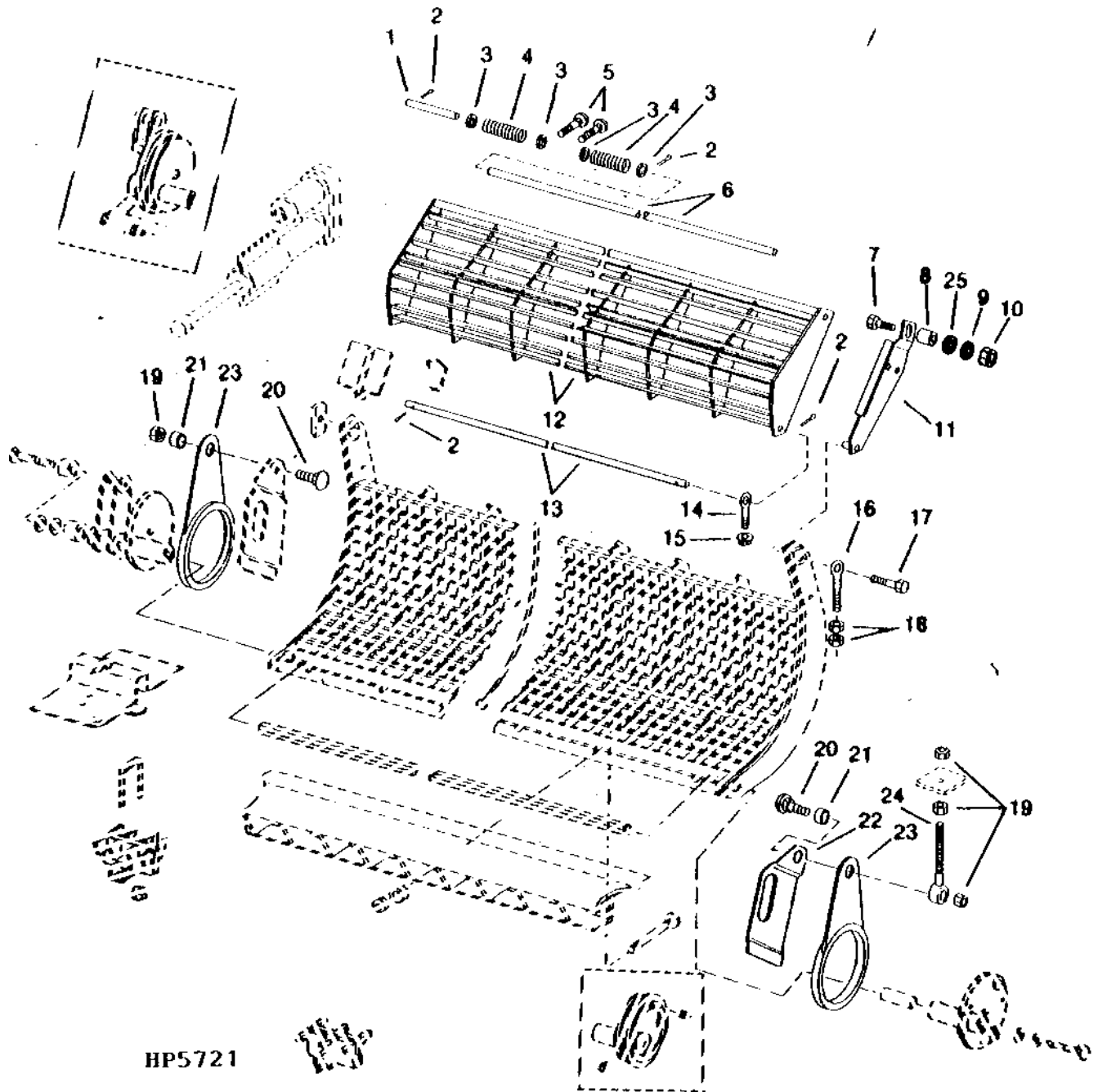
BEATER GRATE CURTAIN - CONTINUED

| KEY | PART NO. | PART NAME | QTY | SERIAL NO. | REMARKS |
|-----|----------------|------------------------------------|----------|---------------|----------------------------------|
| 1 | 19M7866 | SCREW | 10 | | M8 X 20 |
| | 14M7298 | FLANGE NUT | 10 | | M8 |
| 2 | H148300 | ANGLE | 1 | | |
| 3 | H148305 | LIMIT CURTAIN | 5 | | |
| 4 | H148302 | ANGLE | 5 | | |
| 5 | 19M7866 | SCREW | 10 | | M8 X 20 |
| | 14M7298 | FLANGE NUT | 10 | -660301 | M8 |
| | 14M7396 | LOCK NUT | 10 | 660301-666818 | M8 |
| 6A | AH144081 | ANGLE | 5 | -666818 | |
| 6B | H148304 | SUPPORT | 5 | 666819- | |
| 6C | H156360 | NUT | 5 | 666819- | M8 |
| .. | H151318 | SIGN | 1 | 660301- | BEATER GRATE CURTAIN |
| .. | BH80229 | COMPLETE GOODS/SHIP. BUNDLE | 1 | | WIDE BEATER GRATE CURTAIN |

7C15

THRESHING AND SEPARATION

RASP BAR CONCAVE AND GRATE
HP5721 -UN-01JAN94



HP5721

7C16

THRESHING AND SEPARATION

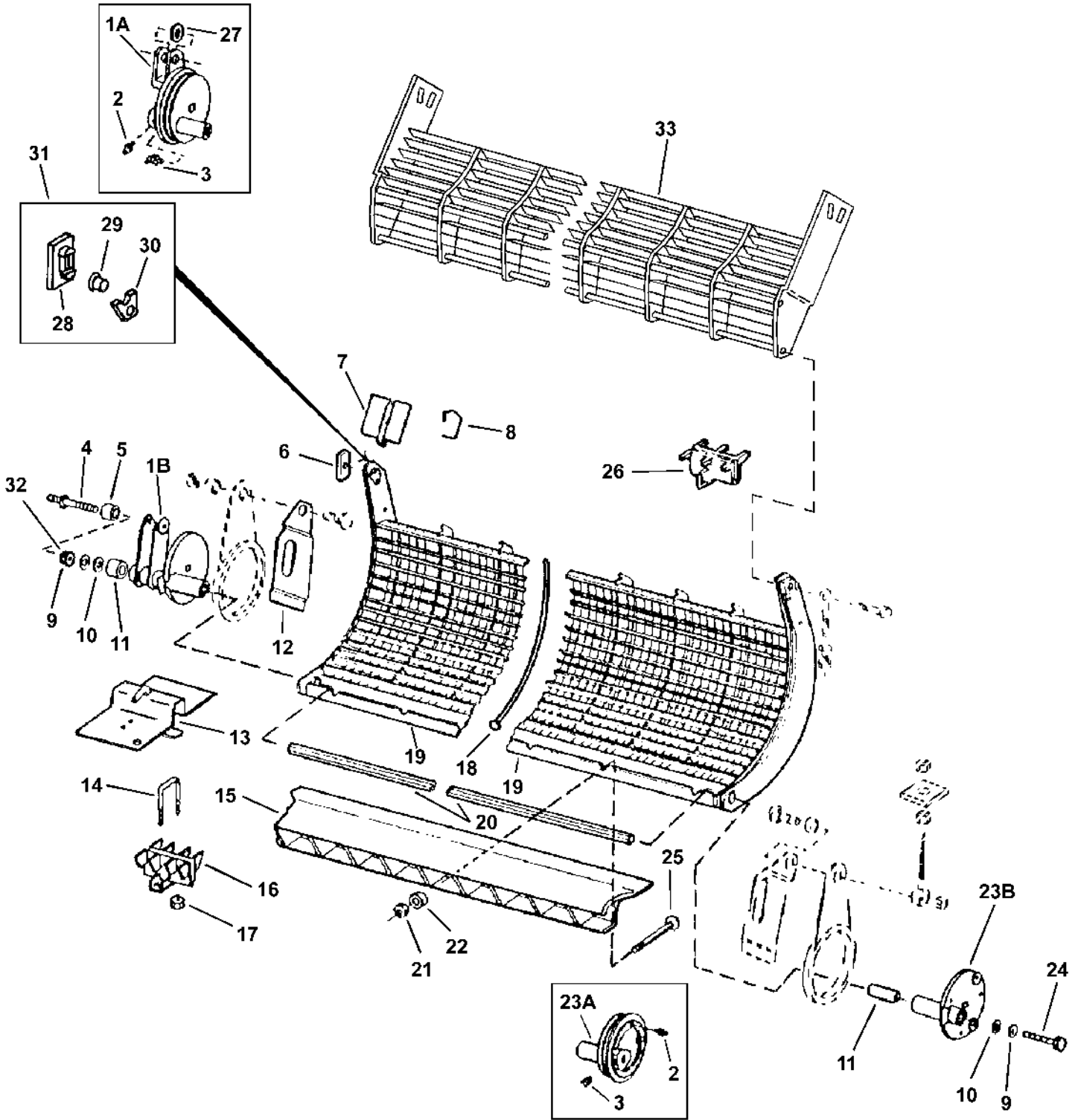
RASP BAR CONCAVE AND GRATE - CONTINUED

| KEY | PART NO. | PART NAME | QTY | SERIAL NO. | REMARKS |
|-----|----------------|------------------------------------|----------|---------------|--|
| 1 | H134230 | PIN | 1 | -640300 | 20 X 179 MM (0.787" X 7.047") |
| 2 | 11M7028 | COTTER PIN | 4 | | 5 X 32 MM |
| | 11M7015 | COTTER PIN | 4 | | 3.200 X 25 MM |
| 3 | 24M7051 | WASHER | 4 | | 21 X 37 X 3 MM |
| 4 | H134232 | SPRING | 2 | -640300 | |
| 5 | 03M7218 | BOLT | 2 | | M10 X 80 |
| 6 | H134228 | PIN | 1 | -640300 | 20 X 1 422 MM (0.787" X 55.984") |
| 7 | 19M7790 | SCREW | 1 | -640300 | M12 X 35 |
| | 19M7791 | SCREW | 1 | 640301-655995 | M12 X 40 |
| | 19M7813 | SCREW | 1 | 655996- | M12 X 45 |
| 8 | E70736 | BUSHING | 2 | -640300 | 12.950 X 19.050 X 12 MM (0.510" X 3/4" X 0.472") (SUB H140804) |
| | H140804 | BEAM | 2 | | 15 MM (0.591") |
| 9 | 12H301 | LOCK WASHER | 2 | | 1/2" |
| 10 | 14M7299 | FLANGE NUT | 2 | | M12 |
| 11 | AH130231 | SUPPORT | 1 | -640300 | L H |
| | AH130232 | SUPPORT | 1 | -640300 | R H |
| 12 | AH130357 | GRATE | 1 | -637231 | (SUB AH134916) |
| | AH134916 | GRATE | 1 | -640300 | (SUB AH135262, H140802, H140804, (2) 19M7813 AND (2) 11M7015) |
| | AH135262 | GRATE | 1 | | |
| | AH151120 | GRATE | 1 | | |
| 13 | H131001 | PIN | 1 | -640300 | 16 X 1 586 MM (0.630" X 62.441") (SUB H140802) |
| | H140802 | PIN | 1 | | 16 X 1 627 MM (0.630" X 64.055") |
| 14 | H127006 | EYEBOLT | 2 | -640300 | (SUB H144742) |
| | H144742 | EYEBOLT | 2 | | |
| 15 | 14M7400 | LOCK NUT | 2 | | M10 |
| 16 | H115179 | EYEBOLT | 2 | -640300 | (SUB H143610) |
| | H143610 | EYEBOLT | 2 | | |
| 17 | 19M7597 | CAP SCREW | 2 | | M20 X 50 |
| 18 | 14M7276 | NUT | 4 | | M16 |
| 19 | 14M7300 | FLANGE NUT | 4 | | M20 |
| 20 | H137203 | BOLT | 2 | | M20 X 65 |
| 21 | H137204 | BUSHING | 2 | | 20.620 X 38.100 X 15 MM (0.812" X 1-1/2" X 0.591") |
| 22 | H131989 | COVER | 1 | | |
| 23 | AH127986 | LINK | 2 | -646083 | (SUB H147484) WELDMENT |
| | H147484 | LINK | 2 | -658100 | (SUB H151484) CAST |
| | H151484 | LINK | 2 | | |
| 24 | H119642 | EYEBOLT | 1 | | |
| 25 | 24H1226 | WASHER | 1 | 655862- | 12.700 X 31.750 X 2.108 MM (1/2" X 1-1/4" X 0.083") |
| .. | TY9371 | ADHESIVE | 1 | | APPLY ON 03M7218 (6 ML HIGH STRENGTH) |
| .. | BH80021 | COMPLETE GOODS/SHIP. BUNDLE | 1 | | SPIKE TOOTH TO RASPBAR CONVERSION |

7C17

THRESHING AND SEPARATION

RASP BAR CONCAVE AND GRATE
HP6752 -UN-26AUG98



HP6752

7C18

THRESHING AND SEPARATION

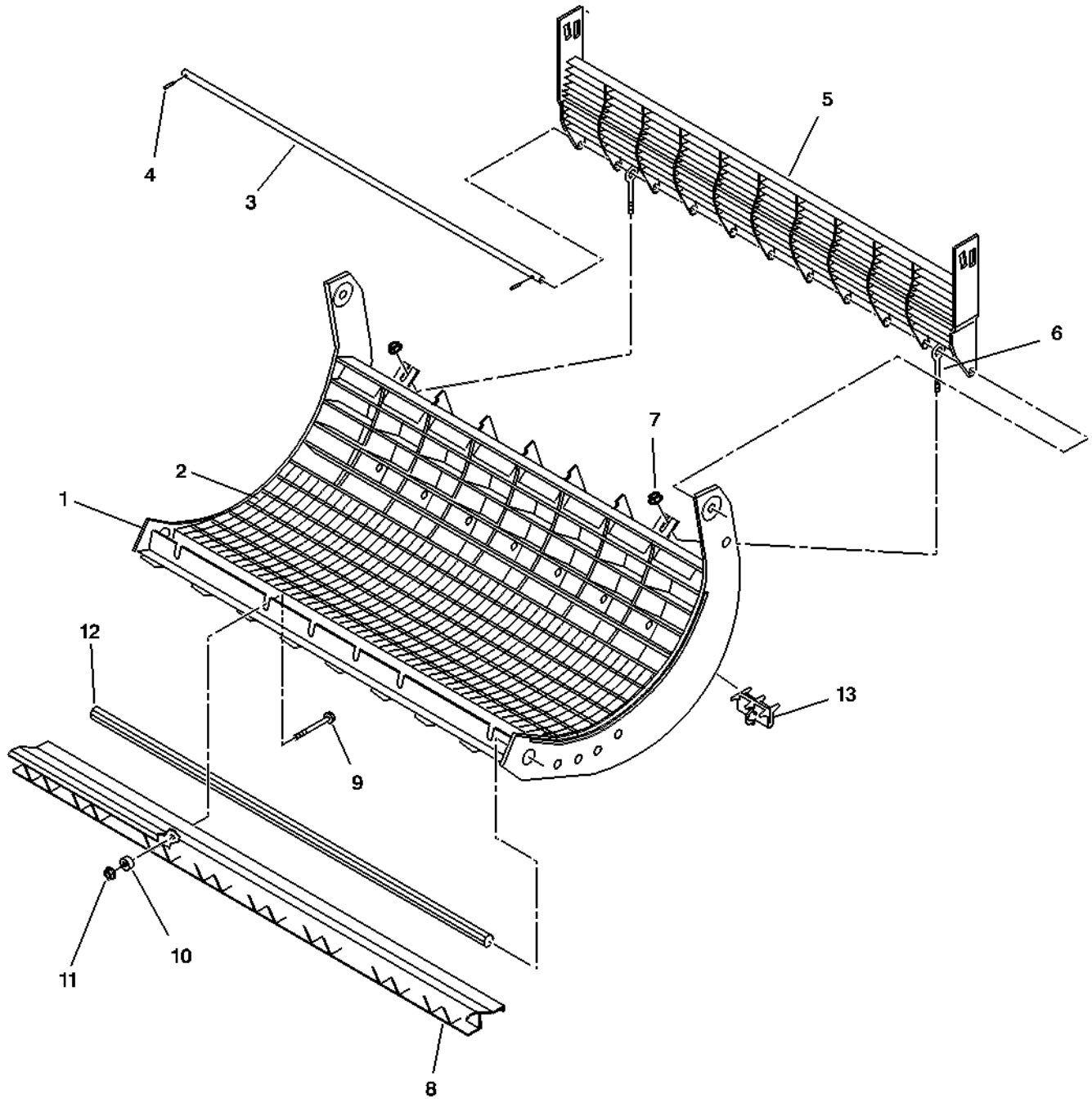
RASP BAR CONCAVE AND GRATE - CONTINUED

| KEY | PART NO. | PART NAME | QTY | SERIAL NO. | REMARKS |
|-----|----------------|------------------------------------|----------|---------------|--|
| 1A | H132821 | CAM | 1 | -636431 | (SUB AH133156) |
| 1B | AH133156 | CAM | 1 | 636432- | ALSO REQ., ONE 28H1601 & ONE 28H1597 |
| 2 | JD7797 | LUBRICATION FITTING | 1 | | |
| 3 | JD7788 | LUBRICATION FITTING | 1 | | 45° X 0.810" LONG |
| 4 | 19M7819 | SCREW | 1 | -645710 | M12 X 90 |
| | H147468 | ROD | 1 | 645711- | |
| 5 | 28H1597 | WASHER | 1 | | 0.546" X 0.840" X 3/8" 0.546" X 0.840" X 2-1/8" |
| 6 | H135246 | ADJUSTING STRAP | 1 | -641020 | (SUB H146389) |
| | H146389 | ADJUSTING STRAP | 1 | -641588 | (SUB H146318) |
| | H146318 | ADJUSTING STRAP | 1 | | |
| 7 | H134418 | COVER | 1 | | FOR REAR OF CONCAVE |
| 8 | H134420 | RETAINER | 1 | | |
| 9 | 24H1351 | WASHER | 2 | -5FEB96 | 9/16" X 1-1/2" X 0.164" |
| | 24M7101 | WASHER | 2 | 5FEB96- | 11 X 34 X 3 MM |
| 10 | H133633 | SEAL | 2 | | |
| 11A | 28H2642 | SPACER | 2 | -636431 | 13.868 X 21.336 X 63.500 MM (0.546" X 0.840" X 2-1/2") |
| | 28H2642 | SPACER | 1 | 636432- | 13.868 X 21.336 X 63.500 MM (0.546" X 0.840" X 2-1/2") RH ONLY |
| 11B | 28H1601 | BUSHING | 1 | 636432- | 13.868 X 21.336 X 104.775 MM (0.546" X 0.840" X 4-1/8") LH ONLY |
| 12 | H131988 | COVER | 1 | | RH (SPIKE TO RASP CONVERSION) |
| 13 | AH130465 | COVER | AR | | FOR BOTTOM FRONT OF CONCAVE |
| 14 | H137947 | U-BOLT | AR | -655488 | USE ONE PER H134773 |
| 15 | AH132368 | ANGLE | 1 | -645693 | (SUB AH141203) |
| | AH141203 | ANGLE | 1 | | (SUB AH151118) |
| | AH151118 | ANGLE | 1 | | |
| 16 | AH134773 | INSERT | AR | -655488 | FOR USE IN CORN |
| 17 | 14M7396 | LOCK NUT | AR | -655488 | M8, USE TWO PER H134773 |
| 18 | H135036 | PIN | AR | | 340MM |
| | H135037 | PIN | AR | | 610MM |
| 19 | AH136604 | CONCAVE | 1 | | 14 BAR, (SUB FOR AH133286, AH133288, AH137533 AND AH155493) |
| 20 | H145638 | SHAFT | 1 | | (SUB FOR H133631) |
| 21 | 14M7401 | LOCK NUT | 6 | | M12 |
| 22 | E47782 | SPACER | 8 | | 13.106 X 31.750 X 17.526 MM (33/64" X 1-1/4" X 0.690") |
| 23A | H132820 | CAM | 1 | -636431 | (SUB AH133157) |
| 23B | AH133157 | CAM | 1 | | |
| 24 | H147468 | ROD | 6 | | |
| 25 | H139098 | BOLT | 6 | | M12 X 51.500 |
| 26 | AH153688 | INSERT | 5 | | (SUB FOR AH137523 OR AH143744) (PACKAGE OF 4); SHORT WIRE |
| | AH144868 | INSERT | AR | 656582- | (SUB FOR AH140517) (LONG WIRE TO SHORT WIRE CONVERSION) FOR COMBINES PRIOR TO S/N 636158 |
| 27 | 24M7014 | WASHER | 1 | -636431 | 12.500 X 40 X 2.500 MM, (SUB 24H1654) |
| | 24H1654 | WASHER | 1 | | 9/16" X 1-15/32" X 0.105" |
| 28 | H146318 | ADJUSTING STRAP | 2 | -640916 | |
| 29 | | BUSHING | 2 | -640916 | |
| 30 | | RETAINER | 2 | -640916 | |
| 31 | AH140604 | ADJUSTING STRAP | 1 | -640916 | (INCLUDES INSTRUCTION SHEET) |
| 32 | A31867 | LOCK NUT | 1 | 645711-5FEB96 | M12 |
| | 14M7401 | LOCK NUT | 1 | | M12, (SUB FOR H137329) |
| 33 | AH151120 | GRATE | 1 | | |
| .. | BH80021 | COMPLETE GOODS/SHIP. BUNDLE | 1 | | SPIKE TOOTH TO RASP BAR CONVERSION |
| .. | BH78486 | COMPLETE GOODS/SHIP. BUNDLE | 1 | | CONCAVE COMBINE |
| .. | BH78495 | COMPLETE GOODS/SHIP. BUNDLE | 1 | | REAR CONCAVE FILLER STRIPS |
| .. | BH81333 | COMPLETE GOODS/SHIP. BUNDLE | 1 | | CONCAVE ASSY, SHORT WIRE WITH INSERTS |

7C19

CONCAVE ASSEMBLY AND BEATER GRATE (WIDE)

HP7388 -UN-02FEB98



HP7388

7C20

THRESHING AND SEPARATION

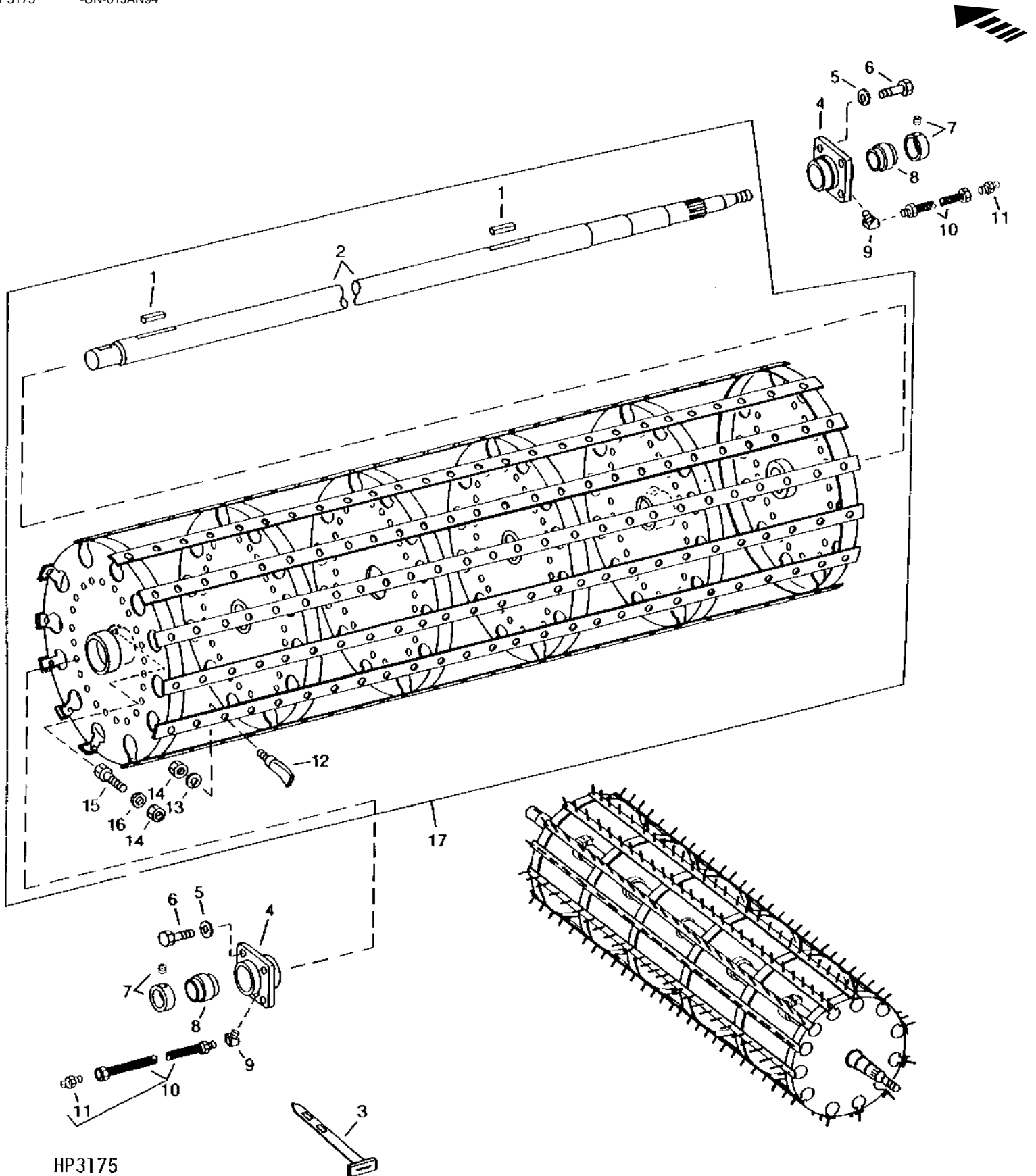
CONCAVE ASSEMBLY AND BEATER GRATE (WIDE) - CONTINUED

| KEY | PART NO. | PART NAME | QTY | SERIAL NO. | REMARKS |
|-----|----------------|------------------------------------|----------|------------|--------------------------------------|
| 1 | AH150496 | CONCAVE | 1 | | 13 BAR WIDE |
| 2 | H157967 | NAIL | 58 | | |
| 3 | H140802 | PIN | 1 | | |
| 4 | 11M7015 | COTTER PIN | 2 | | |
| 5 | AH151120 | GRATE | 1 | | WIDE BODY |
| 6 | H144742 | EYEBOLT | 2 | | M10 X 62 |
| 7 | H135891 | LOCK NUT | 2 | -2MAR98 | M10 |
| | 14M7400 | LOCK NUT | 2 | 2MAR98- | M10 |
| 8 | AH151118 | ANGLE | 1 | | WIDE BODY |
| 9 | H139098 | BOLT | 8 | | M12 X 51.5 |
| 10 | E47782 | SPACER | 8 | | |
| 11 | 14M7401 | LOCK NUT | 8 | | M12, (SUB FOR H137329) |
| 12 | H145638 | SHAFT | 1 | | |
| 13 | AH153688 | INSERT | 20 | | CONCAVE GRID (CARTON OF 20) |
| .. | BH81333 | COMPLETE GOODS/SHIP. BUNDLE | 1 | | CONCAVE ASSEMBLY WITH INSERTS |
| .. | BH81381 | COMPLETE GOODS/SHIP. BUNDLE | 1 | | CONCAVE INSERTS |

7C21

THRESHING AND SEPARATION

SPIKE TOOTH THRESHING CYLINDER
HP3175 -UN-01JAN94



HP3175

7C22

THRESHING AND SEPARATION

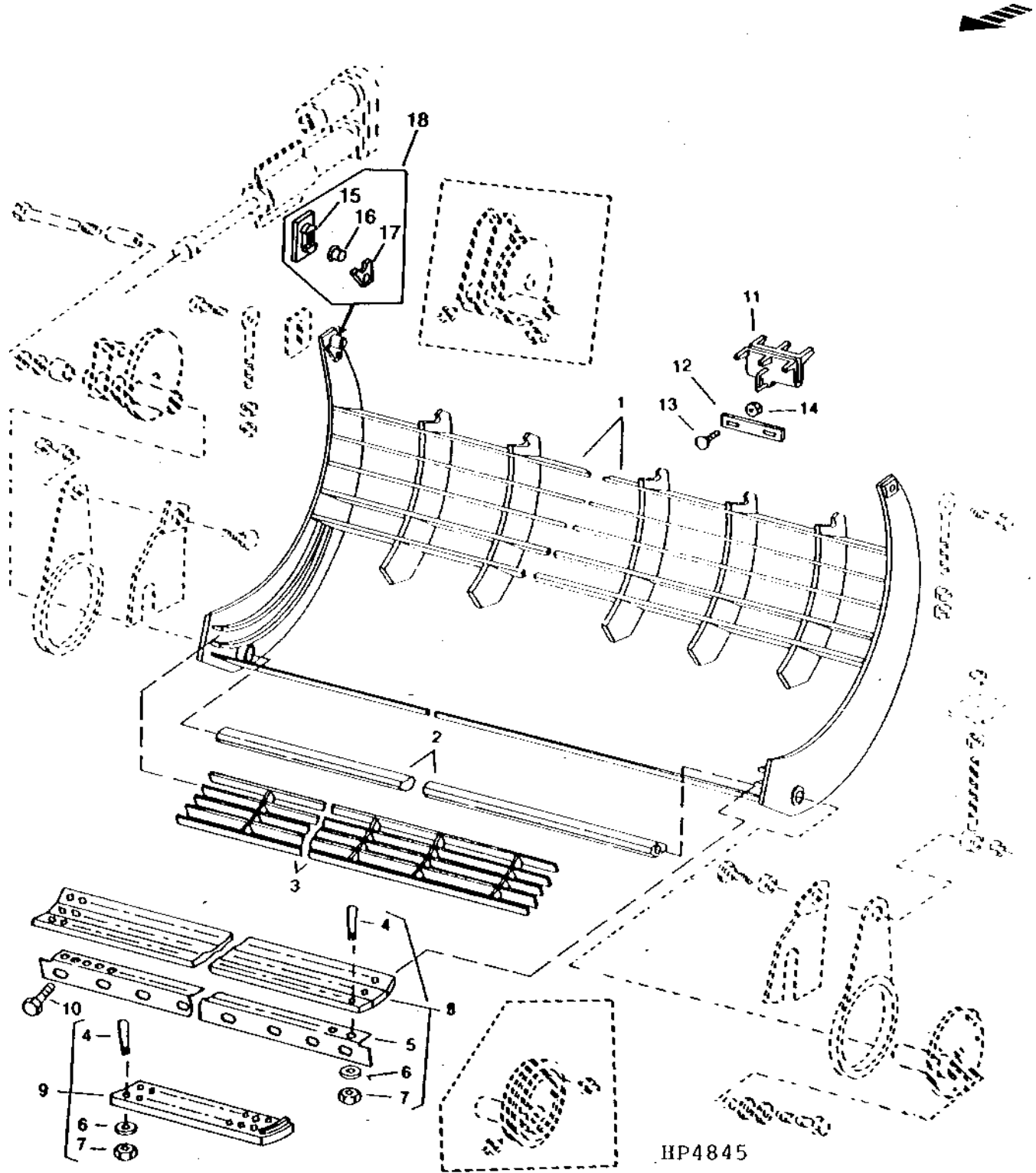
SPIKE TOOTH THRESHING CYLINDER - CONTINUED

| KEY | PART NO. | PART NAME | QTY | SERIAL NO. | REMARKS |
|-----|----------------|------------------------------------|----------|---------------|--|
| 1 | | SHAFT KEY | 2 | | (CUT FROM H64376) IN AH64587 KEY STOCK KIT |
| 2 | H140042 | SHAFT | 1 | | DUAL RANGE |
| 3 | P5403H | TOOL | 1 | | |
| 4 | H99149 | HOUSING | 2 | | |
| 5 | 12H304 | LOCK WASHER | 8 | 3/8" | |
| 6 | 19H1732 | CAP SCREW | 8 | 3/8" X 1-1/4" | |
| 7 | JD10342 | ECCENTRIC LOCKING COLLAR | 2 | | |
| 8 | JD10343 | BALL BEARING | 2 | | |
| 9 | JD7845 | ELBOW FITTING | 1 | | |
| 10 | AH121009 | HOSE | 2 | | 1/8" X 910 MM (35-3/4") X 1/8" |
| 11 | JD7759 | LUBRICATION FITTING | 2 | | |
| 12 | H132057 | TOOTH | 378 | | |
| 13 | 12H301 | LOCK WASHER | 2 | | 1/2", (INTO HEADER WITH KEYED HUB) |
| | 12H301 | LOCK WASHER | 378 | | 1/2" |
| 14 | 14H809 | NUT | 2 | | 1/2", (INTO HEADER WITH KEYED HUB) |
| | 14H809 | NUT | 378 | -651354 | 1/2", (SUB 14H1040) |
| | 14H1040 | NUT | 380 | | 1/2" |
| 15 | 19H1820 | CAP SCREW | 2 | | 1/2" X 3" |
| 16 | 12H301 | LOCK WASHER | 2 | | 1/2" |
| 17 | AH134661 | SPIKE-TOOTH CYLINDER | 1 | | |
| .. | BH71876 | COMPLETE GOODS/SHIP. BUNDLE | 1 | | RASPBAR TO SPIKE TOOTH CONVERSION |

7C23

THRESHING AND SEPARATION

SPIKE-TOOTH CONCAVE
HP4845 -UN-01JAN94



7C24

THRESHING AND SEPARATION

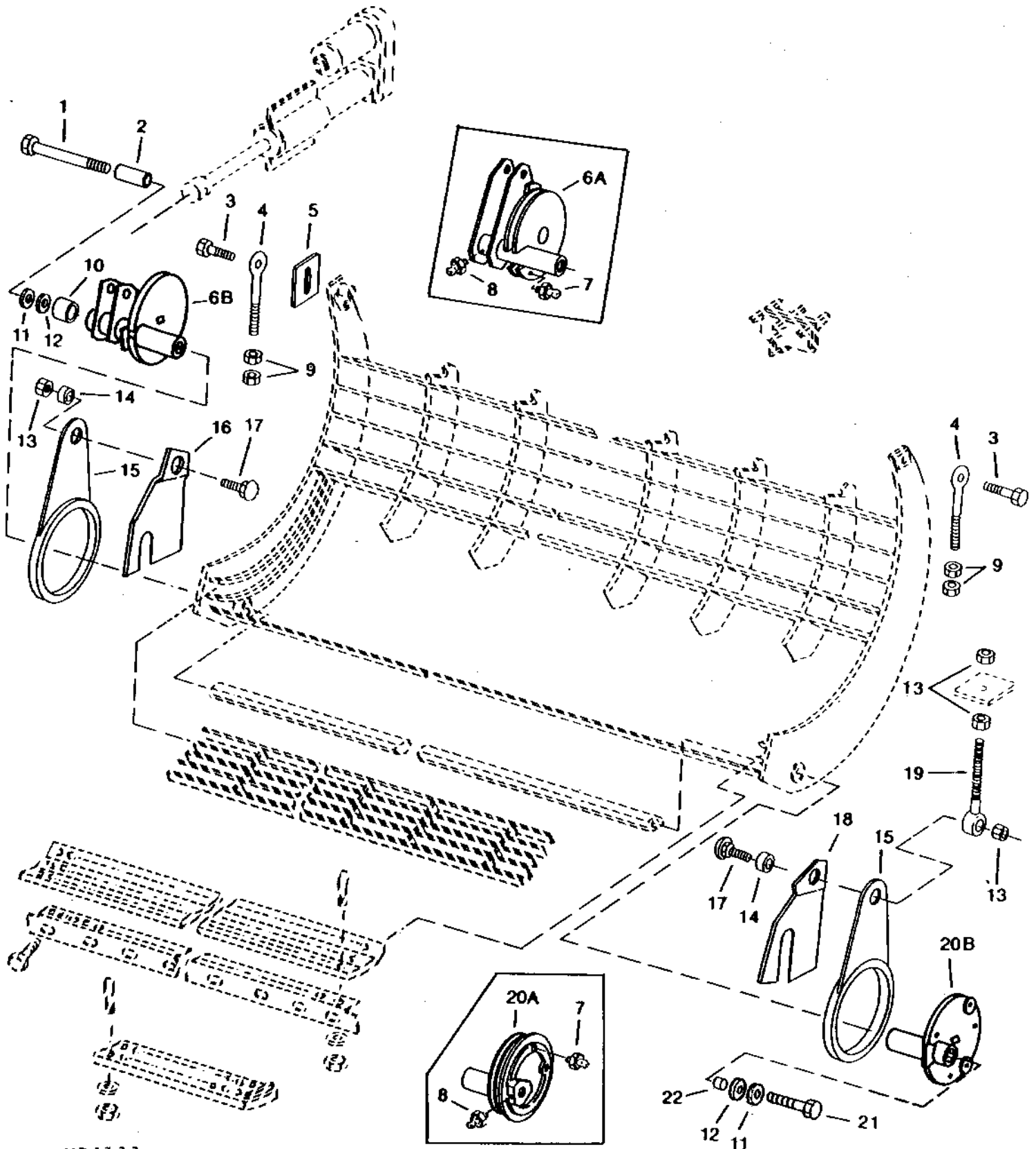
SPIKE-TOOTH CONCAVE - CONTINUED

| KEY | PART NO. | PART NAME | QTY | SERIAL NO. | REMARKS |
|-----|----------------|------------------------------------|----------|------------|---|
| 1 | AH135646 | CONCAVE | 1 | | (SUB FOR AH132886) |
| 2 | H145638 | SHAFT | 1 | | (SUB FOR H133631) |
| 3 | AH131330 | GRATE | 1 | | |
| 4 | H132057 | TOOTH | AR | | |
| 5 | H145256 | ANGLE | 1 | | (SUB FOR H135315) |
| 6 | 12H301 | LOCK WASHER | AR | | 1/2" |
| 7 | 14H809 | NUT | AR | -651354 | 1/2", (SUB 14H1040) |
| | 14H1040 | NUT | AR | | 1/2" |
| 8 | AH139245 | BAR | AR | | (SUB FOR AH129373) SPIKE TOOTH ASSEMBLY, THREE ROWS OF TEETH |
| 9 | AH126879 | CONCAVE | AR | | |
| 10 | 19M7786 | SCREW | 8 | | M10 X 30 |
| 11 | AH153688 | INSERT | 5 | | (SUB FOR AH137523 OR AH143744) (PACKAGE OF 4) |
| 12 | H141993 | ADJUSTING STRAP | AR | -635300 | USE WITH AH132886 |
| 13 | 03M7222 | BOLT | 2 | | M6 X 20 |
| 14 | 14M7303 | FLANGE NUT | 2 | | M6 |
| 15 | H146318 | ADJUSTING STRAP | 2 | -640916 | |
| 16 | | BUSHING | 2 | -640916 | |
| 17 | | RETAINER | 2 | -640916 | |
| 18 | AH140604 | ADJUSTING STRAP | 1 | -640916 | (INCLUDES INSTRUCTION) |
| .. | BH81876 | COMPLETE GOODS/SHIP. BUNDLE | 1 | | RASPBAR TO SPIKE TOOTH CONVERSION |

7D1

THRESHING AND SEPARATION

SPIKE TOOTH CONCAVE
HP4111 -UN-01JAN94



HP4111

7D2

THRESHING AND SEPARATION

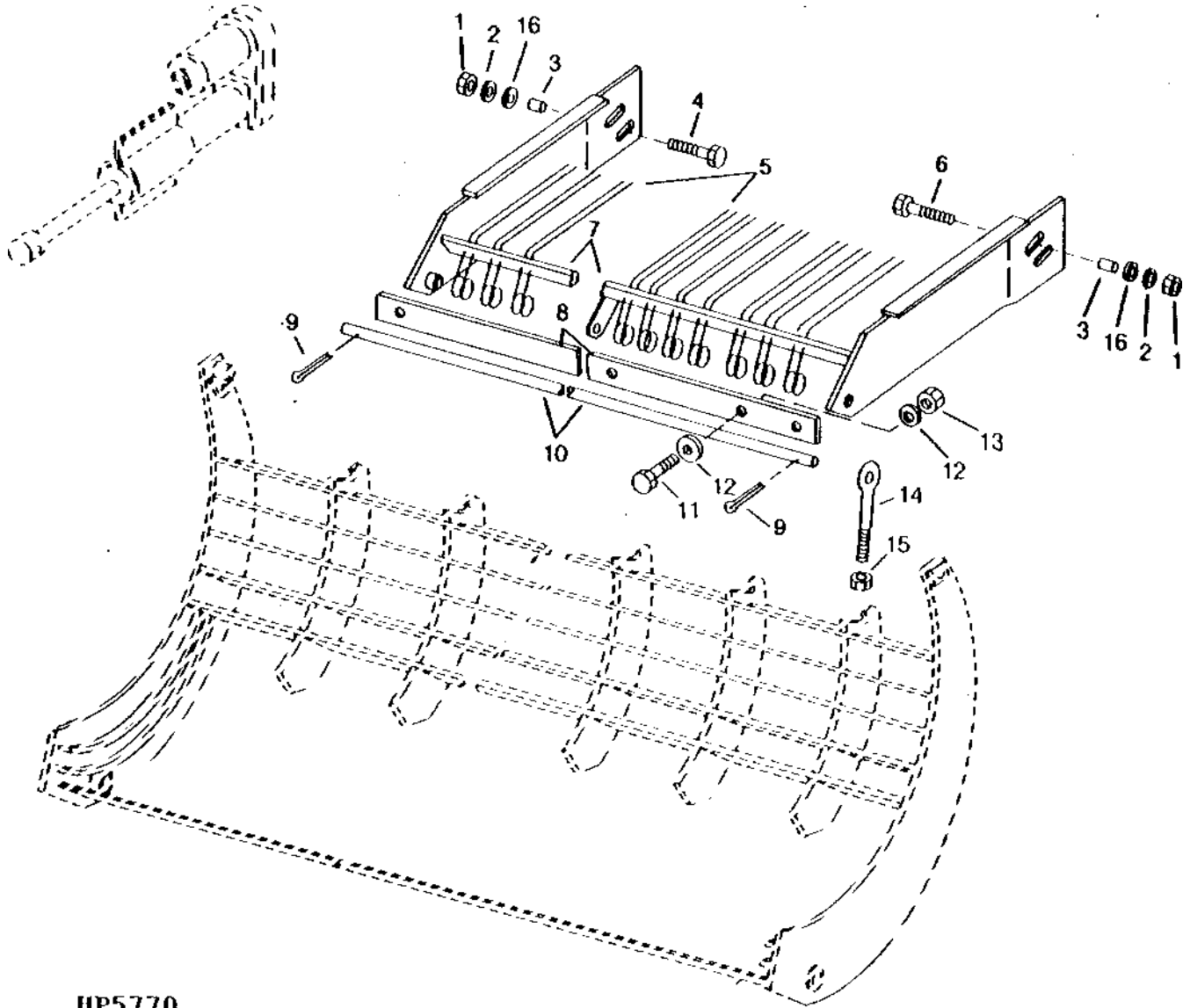
SPIKE TOOTH CONCAVE - CONTINUED

| KEY | PART NO. | PART NAME | QTY | SERIAL NO. | REMARKS |
|-----|----------|---------------------|-----|------------|--|
| 1 | H132541 | SCREW | 1 | | M12 X 140 |
| 2 | 28H1597 | WASHER | 1 | | 13.868 X 21.336 X 9.525 MM (0.546" X 0.840" X 3/8") |
| 3 | 19M8060 | SCREW | 2 | -638109 | M20 X 45, (SUB 19M7597) |
| | 19M7597 | CAP SCREW | 2 | | M20 X 50 |
| 4 | H115179 | EYEBOLT | 2 | -636105 | (SUB H143610) |
| | H143610 | EYEBOLT | 2 | | |
| 5 | H135246 | ADJUSTING STRAP | 1 | -646242 | (SUB H146389) |
| | H146389 | ADJUSTING STRAP | 1 | | (SUB H146318) |
| | H146318 | ADJUSTING STRAP | 1 | | |
| 6A | AH134431 | CAM | 1 | -636431 | (SUB AH135240) |
| 6B | AH135240 | CAM | 1 | | |
| 7 | JD7797 | LUBRICATION FITTING | 2 | -636431 | |
| 8 | JD7788 | LUBRICATION FITTING | 2 | -636431 | |
| 9 | 14M7296 | FLANGE NUT | 4 | | M10 |
| 10 | H134816 | SPACER | 1 | | 13.930 X 21.330 X 111 MM (0.548" X 0.840" X 4.370") |
| 11 | 24H1351 | WASHER | 2 | -FEB596 | 9/16" X 1-1/2" X 0.164" |
| | 24M7101 | WASHER | 2 | 5FEB96- | 11 X 34 X 3 MM |
| 12 | H133633 | SEAL | 2 | | |
| 13 | 14M7300 | FLANGE NUT | 4 | | M20 |
| 14 | H137204 | BUSHING | 4 | | 20.620 X 38.100 X 15 MM (0.812" X 1-1/2" X 0.591") |
| 15 | AH127829 | LINK | 2 | | |
| 16 | H131986 | COVER | 1 | | LEFT-HAND |
| 17 | H137203 | BOLT | 2 | | M20 X 65 |
| 18 | H131987 | COVER | 1 | | |
| 19 | H119642 | EYEBOLT | 1 | | |
| 20A | H132820 | CAM | 1 | -636431 | (SUB AH133157) |
| 20B | AH133157 | CAM | 1 | 636432- | |
| 21 | 19M7819 | SCREW | 1 | | M12 X 90 |
| 22 | 28H2642 | SPACER | 1 | | 13.868 X 21.336 X 63.500 MM (0.546" X 0.840" X 2-1/2") |
| .. | P5403H | TOOL | 1 | | |

7D3

THRESHING AND SEPARATION

SPIKE-TOOTH FINGER GRATE
HP5770 -UN-01JAN94



HP5770

7D4

THRESHING AND SEPARATION

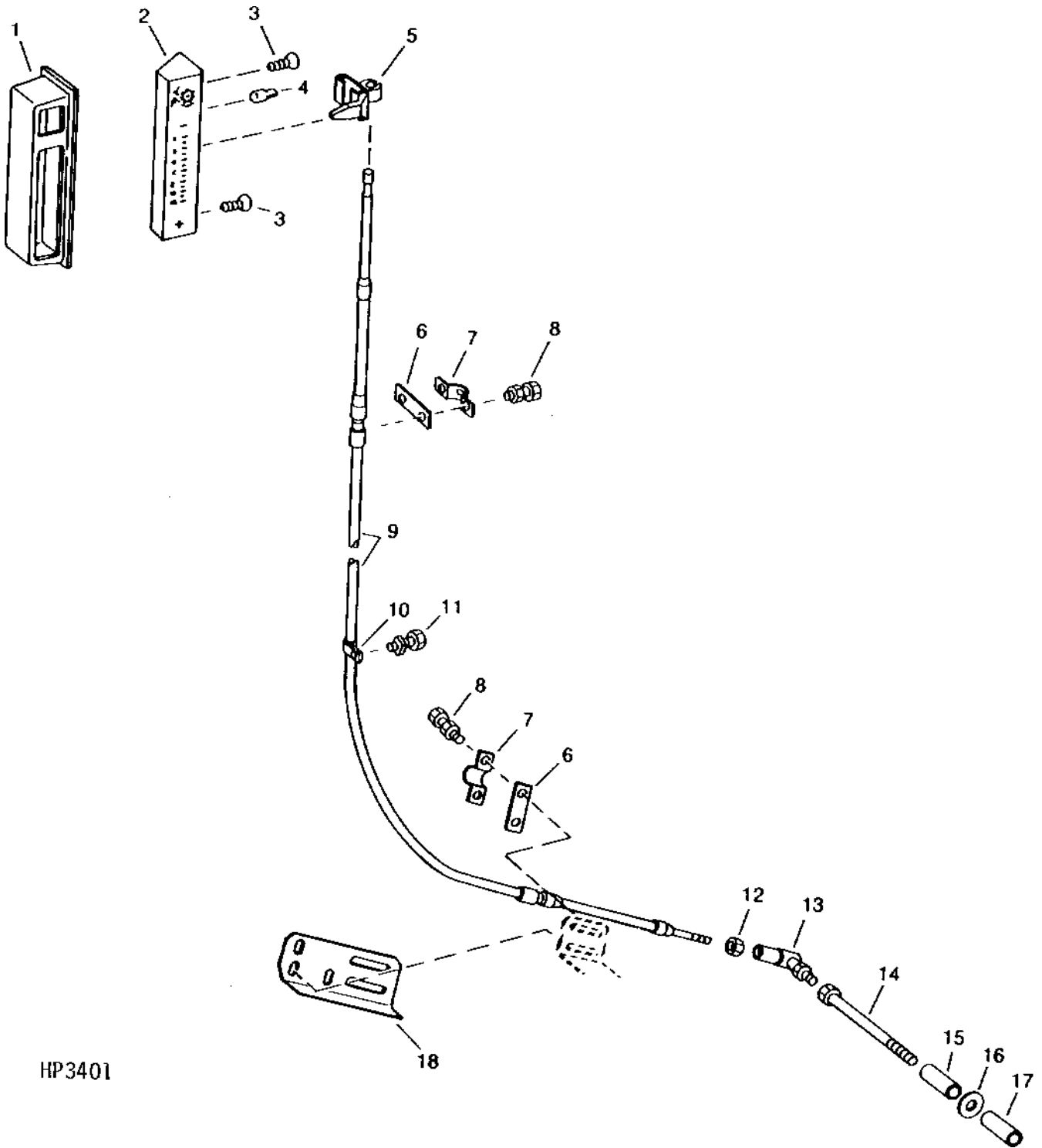
SPIKE-TOOTH FINGER GRATE - CONTINUED

| KEY | PART NO. | PART NAME | QTY | SERIAL NO. | REMARKS |
|-----|----------------|------------------------------------|----------|--|---|
| 1 | 14M7299 | FLANGE NUT | 2 | M12 | |
| 2 | 12H301 | LOCK WASHER | 2 | 1/2" | |
| 3 | M44269 | BUSHING | 2 | 12.954 X 19.050 X 19.685 MM (0.510" X 3/4" X 0.775") | |
| 4 | 19M7791 | SCREW | 1 | -655995 | M12 X 40 |
| | 19M7813 | SCREW | 1 | 655996- | M12 X 45 |
| 5 | H134758 | FINGER | AR | | |
| 6 | 19M8306 | SCREW | 1 | -640300 | M12 X 50 |
| | 19M7791 | SCREW | 1 | 640301-655995 | M12 X 40 |
| | 19M7813 | SCREW | 1 | 655996- | M12 X 45 |
| 7 | AH130905 | SUPPORT | 1 | | |
| 8 | H135157 | COVER | 1 | | |
| 9 | 11M7015 | COTTER PIN | 2 | | 3.200 X 25 MM |
| 10 | H134756 | PIN | 1 | | 16 X 1 615 MM (0.630" X 63.583") |
| 11 | 03M7193 | BOLT | 4 | | M10 X 35 |
| 12 | 24H1311 | WASHER | 8 | | 13/32" X 1-1/4" X 0.220" |
| 13 | 14M7296 | FLANGE NUT | 4 | | M10 |
| 14 | H127006 | EYEBOLT | 2 | -635797 | (SUB H144742) |
| | H144742 | EYEBOLT | 2 | | |
| 15 | 14M7400 | LOCK NUT | 2 | | M10 |
| 16 | 24H1226 | WASHER | 2 | 655862- | 12.700 X 31.750 X 2.108 MM (1/2" X 1-1/4" X 0.083") |
| .. | BH71876 | COMPLETE GOODS/SHIP. BUNDLE | 1 | | RASPBAR TO SPIKE TOOTH CONVERSION |

7D5

CONCAVE INDICATOR, CABLE AND BRACKETS

HP3401 -UN-01JAN94



HP3401

7D6

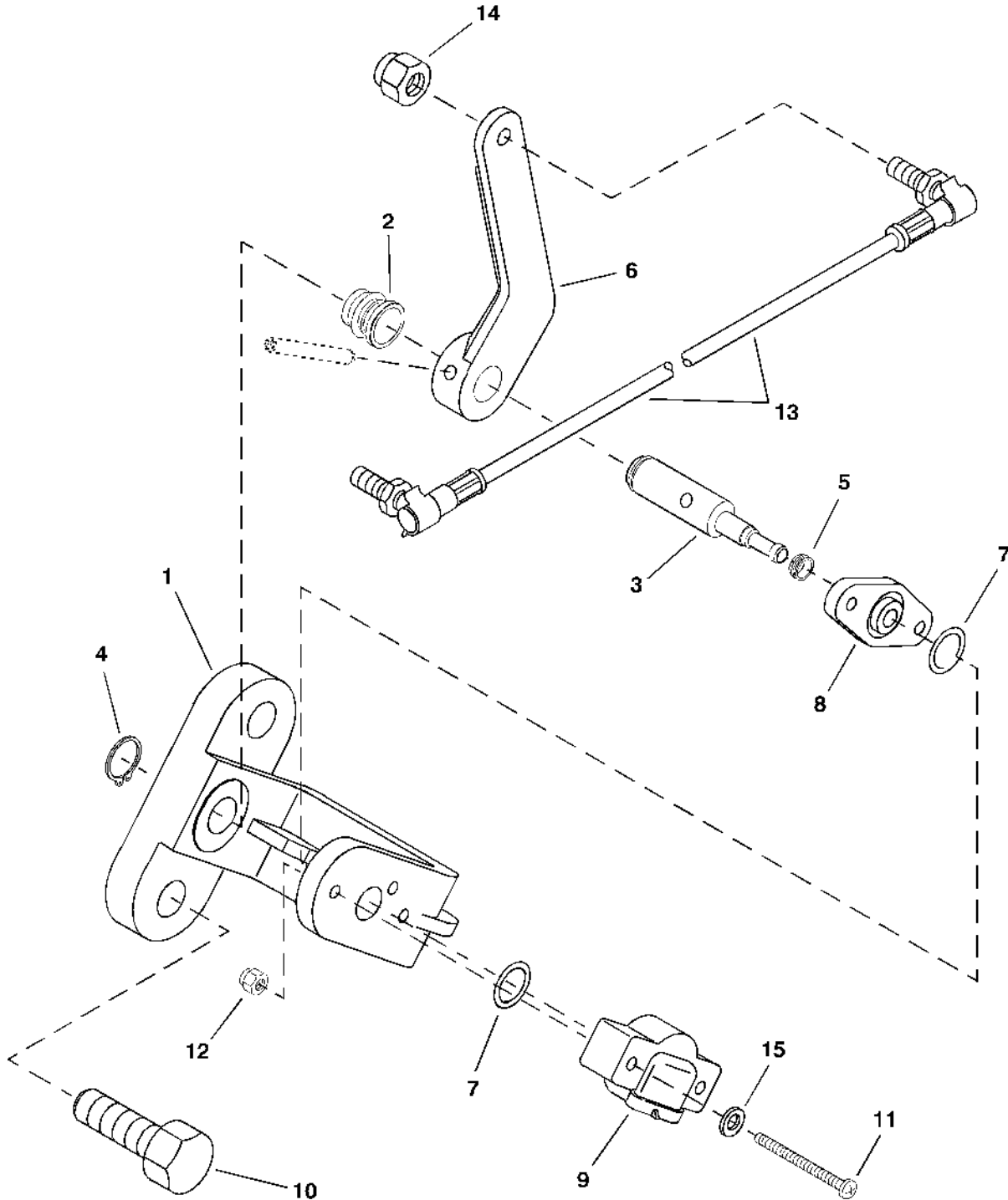
THRESHING AND SEPARATION

CONCAVE INDICATOR, CABLE AND BRACKETS - CONTINUED

| KEY | PART NO. | PART NAME | QTY | SERIAL NO. | REMARKS |
|-----|----------|------------|-----|------------|--|
| 1 | H128999 | HOUSING | 1 | | |
| 2 | AH124472 | LENS | 1 | -645566 | (SUB AH141030) |
| | AH141030 | LENS | 1 | | |
| 3 | H118166 | SCREW | 2 | | |
| 4 | AH114882 | BULB | 1 | -29SEP7 | |
| 5 | H129179 | GAUGE | 1 | | |
| 6 | H120801 | STRAP | 2 | -6OCT97 | SERVICE ONLY |
| 7 | H120800 | CLAMP | 2 | -6OCT97 | SERVICE ONLY |
| 8 | 03M7166 | BOLT | 4 | | M5 X 16 |
| | 14M7297 | NUT | 4 | -6OCT97 | M5, SERVICE ONLY |
| 9 | AH124573 | CABLE | 1 | -6OCT97 | SERVICE ONLY |
| 10 | M47566 | CLIP | 1 | | |
| 11 | 19M7862 | SCREW | 1 | | M6 X 20 |
| | 14M7162 | NUT | 1 | | M6 |
| 12 | 14M7297 | NUT | 1 | | M5 |
| 13 | AH129272 | BALL JOINT | 1 | | |
| 14 | H132541 | SCREW | 1 | | M12 X 140 |
| 15 | 28H2618 | BUSHING | 1 | | |
| | 28H1597 | WASHER | 1 | | 0.546" X 0.840" X 3/8" (SPIKE TOOTH ONLY) |
| 16 | 24H1347 | WASHER | 1 | | 17/32" X 2" X 0.194" |
| 17 | 28H950 | BUSHING | 1 | | 13.868 X 21.336 X 38.100 MM (0.546" X 0.840" X 1-1/2") |
| | 28H1601 | BUSHING | 1 | | 13.868 X 21.336 X 104.775 MM (0.546" X 0.840" X 4-1/8") (SPIKE TOOTH ONLY) |
| 18 | H132540 | BRACKET | 1 | | (SPIKE TOOTH ONLY) |

7D7

CONCAVE INDICATOR
HP7387 -UN-04FEB98



HP7387

7D8

THRESHING AND SEPARATION

CONCAVE INDICATOR - CONTINUED

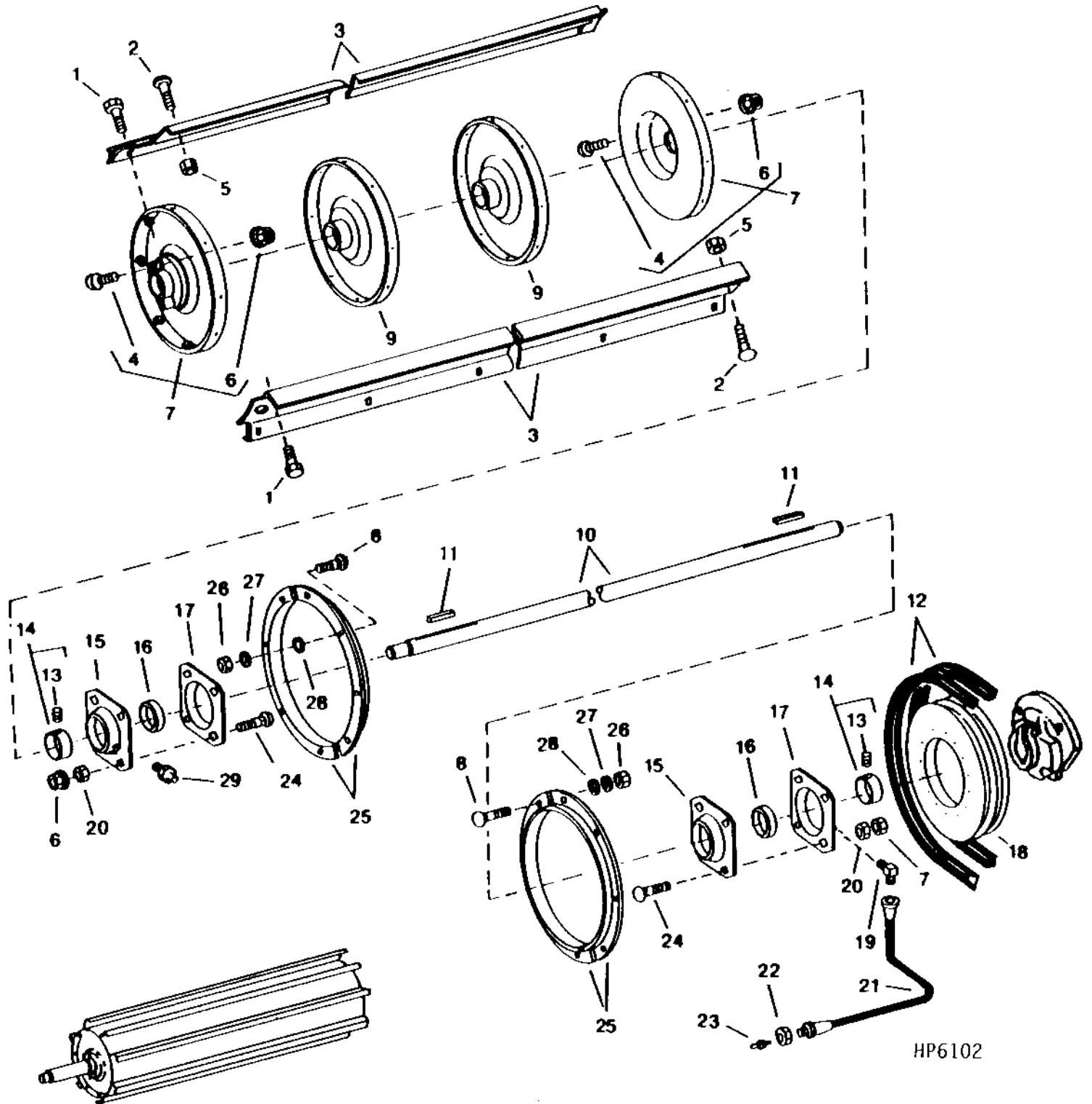
| KEY | PART NO. | PART NAME | QTY | SERIAL NO. | REMARKS |
|-----|----------------|------------------------------------|----------|------------|----------------------------------|
| 1 | H156936 | BRACKET | 1 | | |
| 2 | R41076 | GROMMET | 1 | | |
| 3 | R111692 | SHAFT | 1 | | |
| 4 | R26871 | SNAP RING | 1 | | |
| 5 | R112679 | SEAL | 1 | | |
| 6 | R40915 | LEVER | 1 | | |
| 7 | R34404 | O-RING | 2 | | |
| 8 | R86457 | SUPPORT | 1 | | |
| 9 | RE56165 | SENSOR | 1 | | |
| 10 | 37M7096 | SCREW | 2 | M8 X 35 | |
| 11 | 21M7261 | SCREW | 2 | M5 X 45 | |
| 12 | 14M7297 | NUT | 2 | M5 | |
| 13 | AH150498 | BALL JOINT | 1 | | CORN AND SMALL GRAIN |
| | AH150499 | BALL JOINT | 1 | | SPIKE TOOTH |
| 14 | 14M7397 | LOCK NUT | 1 | | M6 |
| 15 | 12M7060 | WASHER | 2 | | 5.300 MM, (SUB FOR 12M7112) |
| .. | BH81356 | COMPLETE GOODS/SHIP. BUNDLE | 1 | | DIGITAL CONCAVE INDICATOR |

7D9

THRESHING AND SEPARATION

BEATER, SHAFT AND DRIVE BELT

HP6102 -UN-27JUN95



7D10

THRESHING AND SEPARATION

BEATER, SHAFT AND DRIVE BELT - CONTINUED

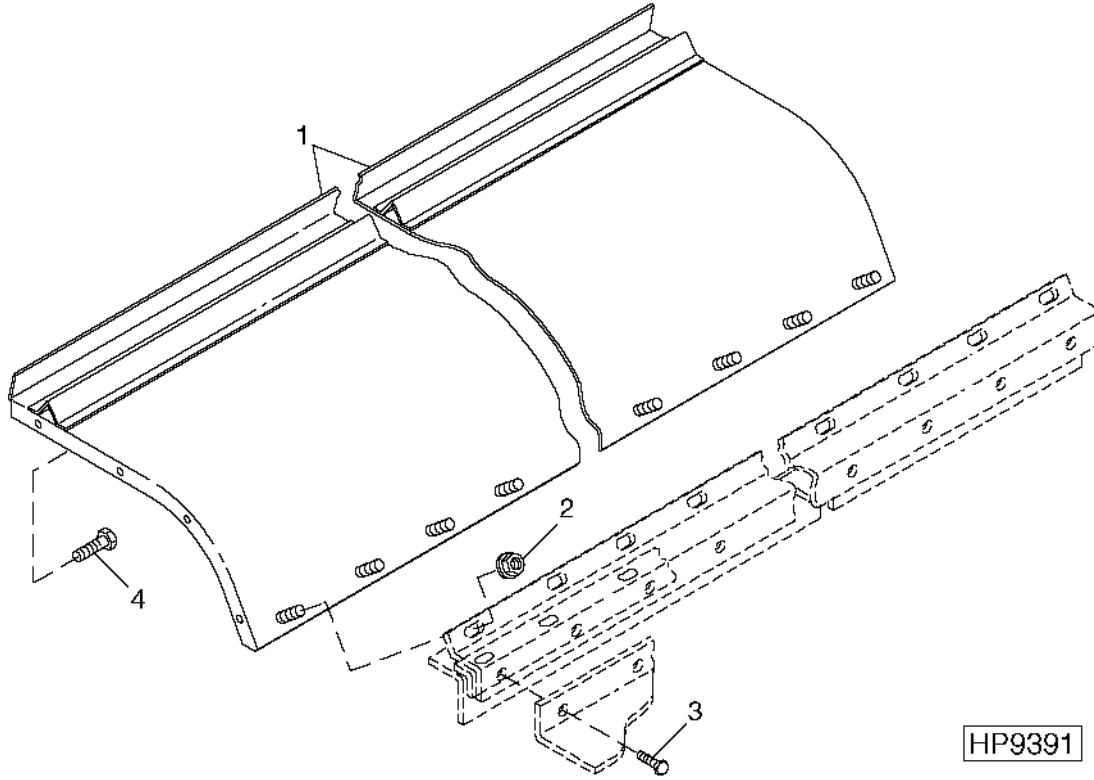
| KEY | PART NO. | PART NAME | QTY | SERIAL NO. | REMARKS |
|-----|----------|--------------------------|-----|---------------|--|
| 1 | 19M7784 | SCREW | 2 | | M10 X 20 |
| 2 | 03M7190 | BOLT | 58 | | M10 X 20 |
| 3 | H133648 | BLADE | 8 | -645978 | (SUB H147788) |
| | H147788 | BLADE | 8 | | |
| 4 | 03M7201 | BOLT | 1 | | M12 X 45 |
| 5 | 14M7296 | FLANGE NUT | 1 | | M10 |
| 6 | 14M7299 | FLANGE NUT | 1 | | M12 |
| 7 | AH128360 | BEATER HEAD | 2 | | |
| 8 | 03M7185 | BOLT | 24 | | M8 X 25 |
| 9 | AH128361 | BEATER HEAD | 2 | | |
| 10 | H126940 | SHAFT | 1 | | |
| 11 | 49M4121 | SHAFT KEY | 1 | -662964 | 10 X 8 X 50 MM |
| | 49M4121 | SHAFT KEY | 2 | 662965- | |
| 12 | AH120918 | BELT | 1 | -640655 | (SUB AH139436) FOR 100 ° BEATER DRIVE |
| | AH139436 | BELT SET | 1 | | FOR 100 ° BEATER DRIVE |
| | AH131960 | BELT | 1 | | (SUB AH163931) FOR 75 ° BEATER DRIVE |
| | AH163931 | BELT | 1 | | FOR 75 ° BEATER DRIVE |
| 13 | 22H979 | SET SCREW | 1 | | 3/8" X 3/8" |
| 14 | JD9201 | ECCENTRIC LOCKING COLLAR | 2 | | |
| 15 | H113625 | PRESSED FLANGED HOUSING | 2 | | |
| 16 | JD9434 | BEARING | 2 | | |
| 17 | H113626 | PRESSED FLANGED HOUSING | 2 | | |
| 18 | H125558 | SHEAVE | 1 | | FOR 100 PER CENT BEATER DRIVE |
| | H135850 | SHEAVE | 1 | | FOR 75 PER CENT BEATER DRIVE |
| 19 | JD7845 | ELBOW FITTING | 2 | | L H |
| 20 | H143731 | NUT | 8 | | 12 MM (0.472") |
| 21 | AH121009 | HOSE | 2 | | 1/8" X 910 MM (35-3/4") X 1/8", L H |
| 22 | E12379 | NUT | 2 | | 3.175 MM (1/8") L H |
| 23 | JD7759 | LUBRICATION FITTING | 2 | | L H |
| 24 | 03M7197 | BOLT | 8 | -641464 | M12 X 25 |
| | 03M7198 | BOLT | 8 | 641465-646666 | M12 X 30, USE ON LEFT SIDE ONLY |
| | 03M7197 | BOLT | 4 | 646667- | M12 X 25, USE ON RIGHT SIDE ONLY |
| 25 | H130572 | SEAL | 4 | | |
| 26 | 14M7298 | FLANGE NUT | 24 | | M8 |
| 27 | 12H303 | LOCK WASHER | 24 | | 5/16" |
| 28 | 24M7055 | WASHER | 16 | | 8.400 X 16 X 1.600 MM |
| 29 | JD7788 | LUBRICATION FITTING | 1 | | 45° X 20.574 MM LONG (0.810" LONG) R H |

7D11

THRESHING AND SEPARATION

BEATER COVER

HP9391 -UN-06DEC99



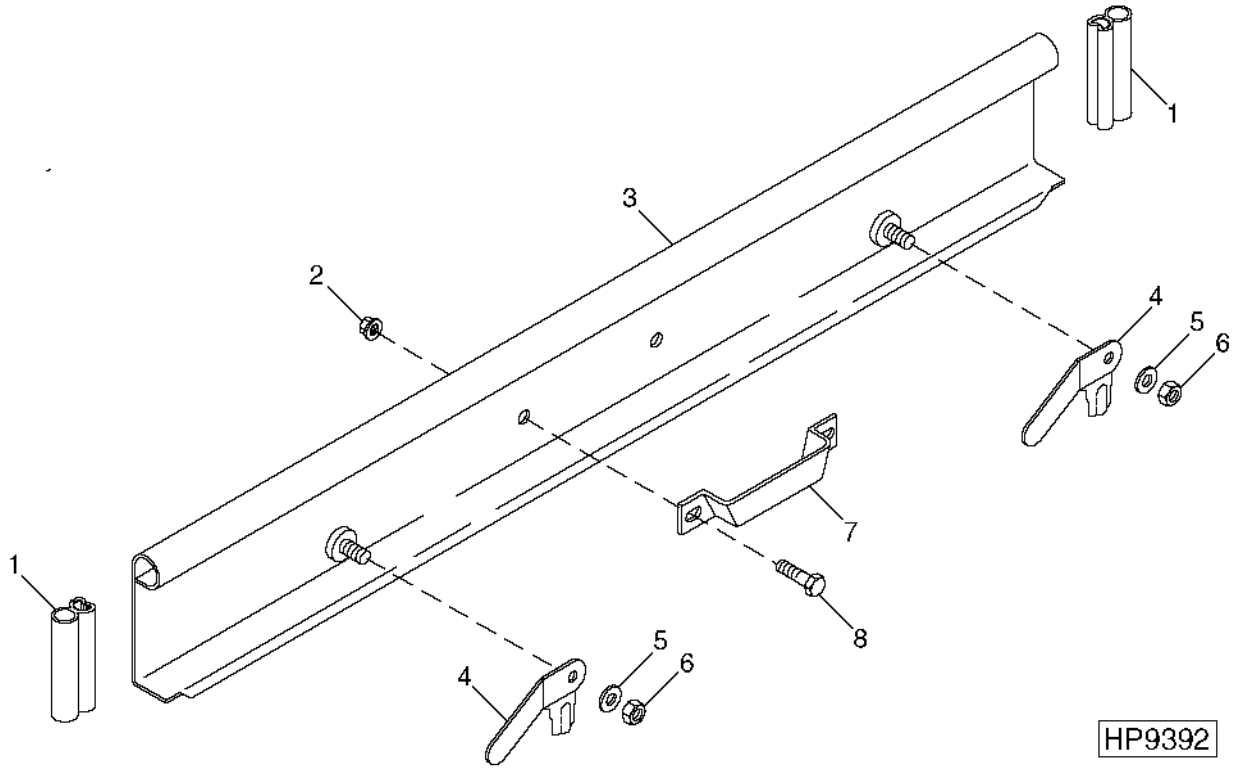
| KEY | PART NO. | PART NAME | QTY | SERIAL NO. | REMARKS |
|-----|----------|------------|-----|------------|---------|
| 1 | AH121996 | COVER | 1 | | |
| 2 | 14M7298 | FLANGE NUT | 7 | M8 | |
| 3 | 37M7080 | SCREW | 11 | M10 X 30 | |
| 4 | 37M7058 | SCREW | AR | M8 X 20 | |

7D12

THRESHING AND SEPARATION

SHOE GRAIN SUPPLY AUGER CLEANOUT DOOR, HANDLE AND LATCHES

HP9392 -UN-06DEC99

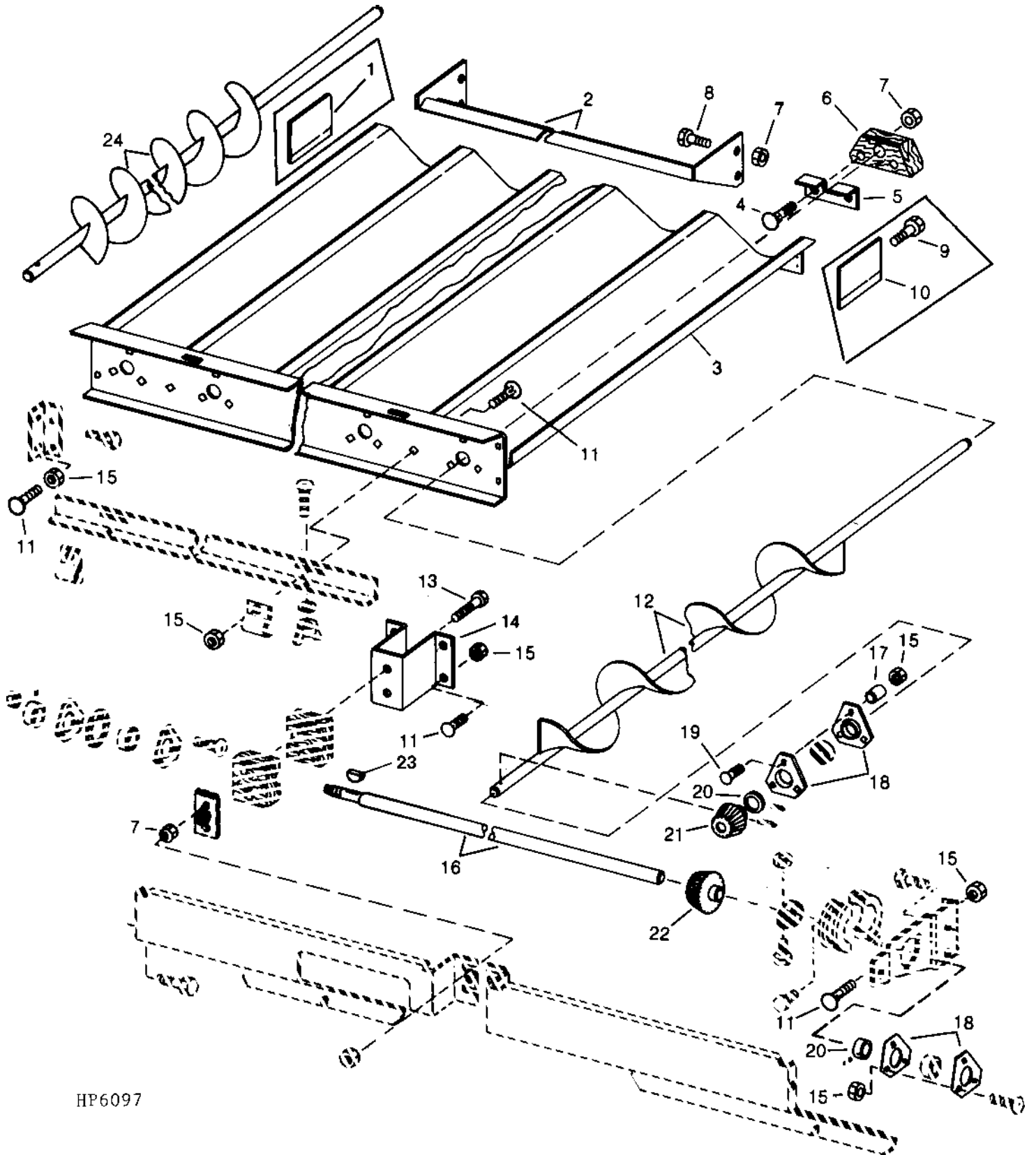


| KEY | PART NO. | PART NAME | QTY | SERIAL NO. | REMARKS |
|-----|----------|------------|-----|-------------------|---------|
| 1 | H131108 | ISOLATOR | 2 | | |
| 2 | 14M7298 | FLANGE NUT | 2 | M8 | |
| 3 | AH130125 | DOOR | 1 | | |
| 4 | H127532 | HANDLE | 2 | | |
| 5 | 24M7207 | WASHER | 2 | 8.400 X 24 X 2 MM | |
| 6 | 14M7396 | LOCK NUT | 2 | M8 | |
| 7 | H85184 | HANDLE | 1 | | |
| 8 | 19M7865 | SCREW | 2 | M8 X 16 | |

7D13

THRESHING AND SEPARATION

SHOE GRAIN SUPPLY AUGERS AND HOUSING
HP6097 -UN-16SEP96



HP6097

7D14

THRESHING AND SEPARATION

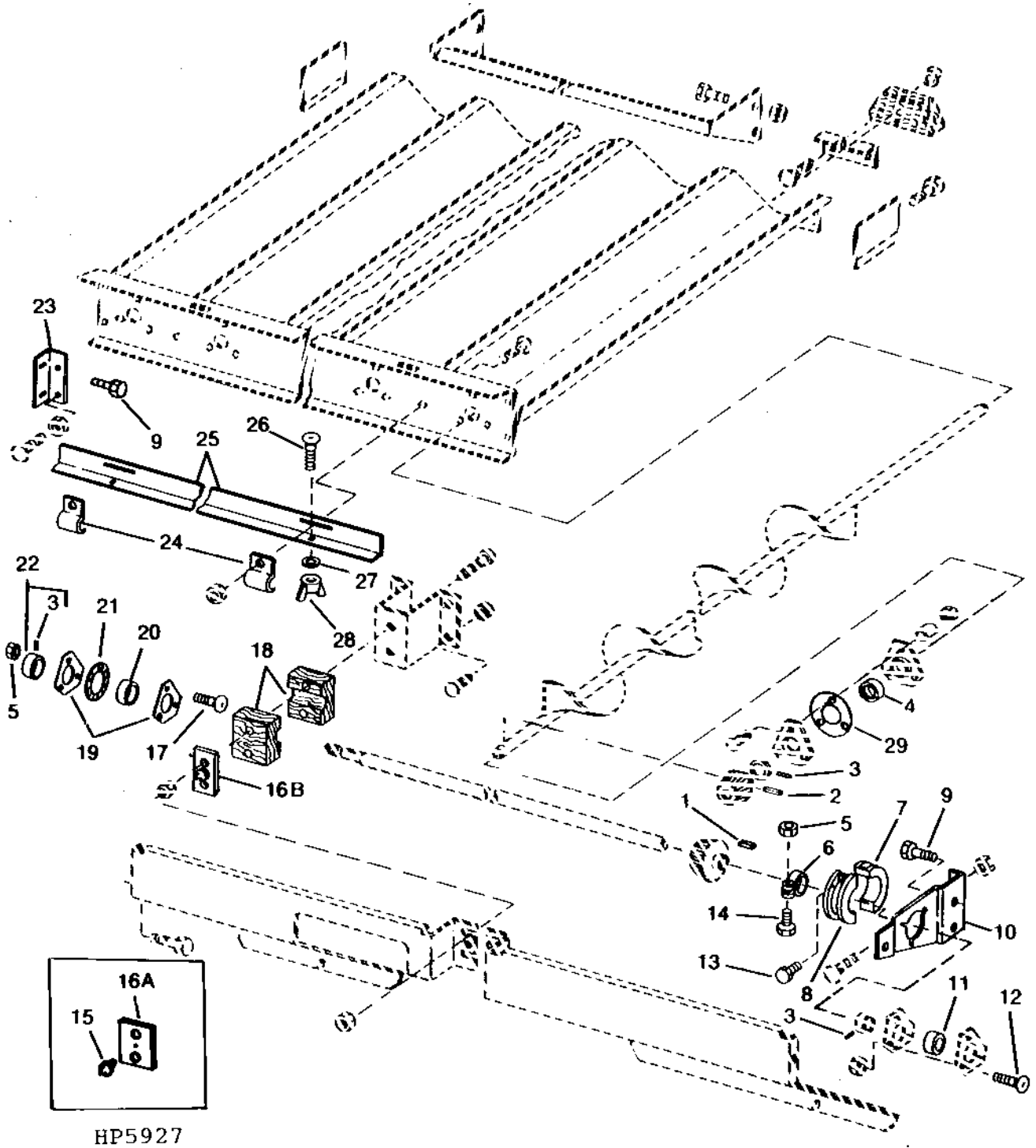
SHOE GRAIN SUPPLY AUGERS AND HOUSING - CONTINUED

| KEY | PART NO. | PART NAME | QTY | SERIAL NO. | REMARKS |
|-----|----------|--------------------------|-----|------------|--|
| 1 | H134029 | DEFLECTOR | 1 | -665300 | |
| 2 | AH126190 | SUPPORT | 1 | | |
| 3 | AH130122 | TROUGH | 1 | -665300 | |
| | AH146564 | TROUGH | 1 | 665301- | |
| 4 | 03M7216 | BOLT | AR | -666299 | M8 X 50 |
| | 03M7267 | BOLT | AR | 666300- | M8 X 80 |
| 5 | H134357 | STRIPPER | AR | -636011 | (SUB H142189) |
| | H142189 | STRIPPER | 1 | | |
| 6 | H131336 | BEARING | AR | -636011 | (SUB H142188) |
| | H142188 | BEARING | AR | | ADD GREASE TO BLOCK BEFORE ASSEMBLY |
| | AH139342 | BEARING KIT | 1 | | EXTENSIVE WEAR KIT (7 AUGER BEARINGS) |
| 7 | 14M7396 | LOCK NUT | 21 | | M8 |
| 8 | 19M7867 | SCREW | 4 | | M8 X 25 |
| 9 | 37M7090 | SCREW | 4 | -665300 | M6 X 16 |
| 10 | H134028 | DEFLECTOR | 1 | -665300 | |
| 11 | 03M7183 | BOLT | AR | | M8 X 16 |
| 12 | AH130424 | AUGER | 4 | | R.H. FLIGHTING |
| 13 | 19M8039 | SCREW | 4 | | M8 X 80 |
| 14 | H91205 | BRACKET | 2 | | |
| 15 | 14M7298 | FLANGE NUT | 36 | | M8 |
| 16 | H135421 | DRIVE SHAFT | 1 | | |
| 17 | 28H1720 | BUSHING | AR | | 10.744 X 17.145 X 21.438 MM (0.423" X 0.675" X 27/32") |
| 18 | H103264 | PRESSED FLANGED HOUSING | 16 | | |
| 19 | 03M7189 | BOLT | AR | | M8 X 45 |
| 20 | JD8554 | ECCENTRIC LOCKING COLLAR | 8 | | |
| 21 | H75406 | GEAR | 7 | -640300 | (SUB H137215) |
| | H137215 | GEAR | 7 | | |
| 22 | H82988 | PINION | 7 | -640300 | |
| | H137215 | GEAR | 7 | 640301- | |
| 23 | 26M4226 | SHAFT KEY | 2 | | 5 X 19 MM (0.197" X 0.748") WOODRUFF |
| 24 | AH130425 | AUGER | 3 | | L.H. FLIGHTING |
| .. | TY6333 | GREASE | 1 | | |

7D15

THRESHING AND SEPARATION

SHOE GRAIN SUPPLY AUGERS AND HOUSING
HP5927 -UN-06MAR95



HP5927

7D16

THRESHING AND SEPARATION

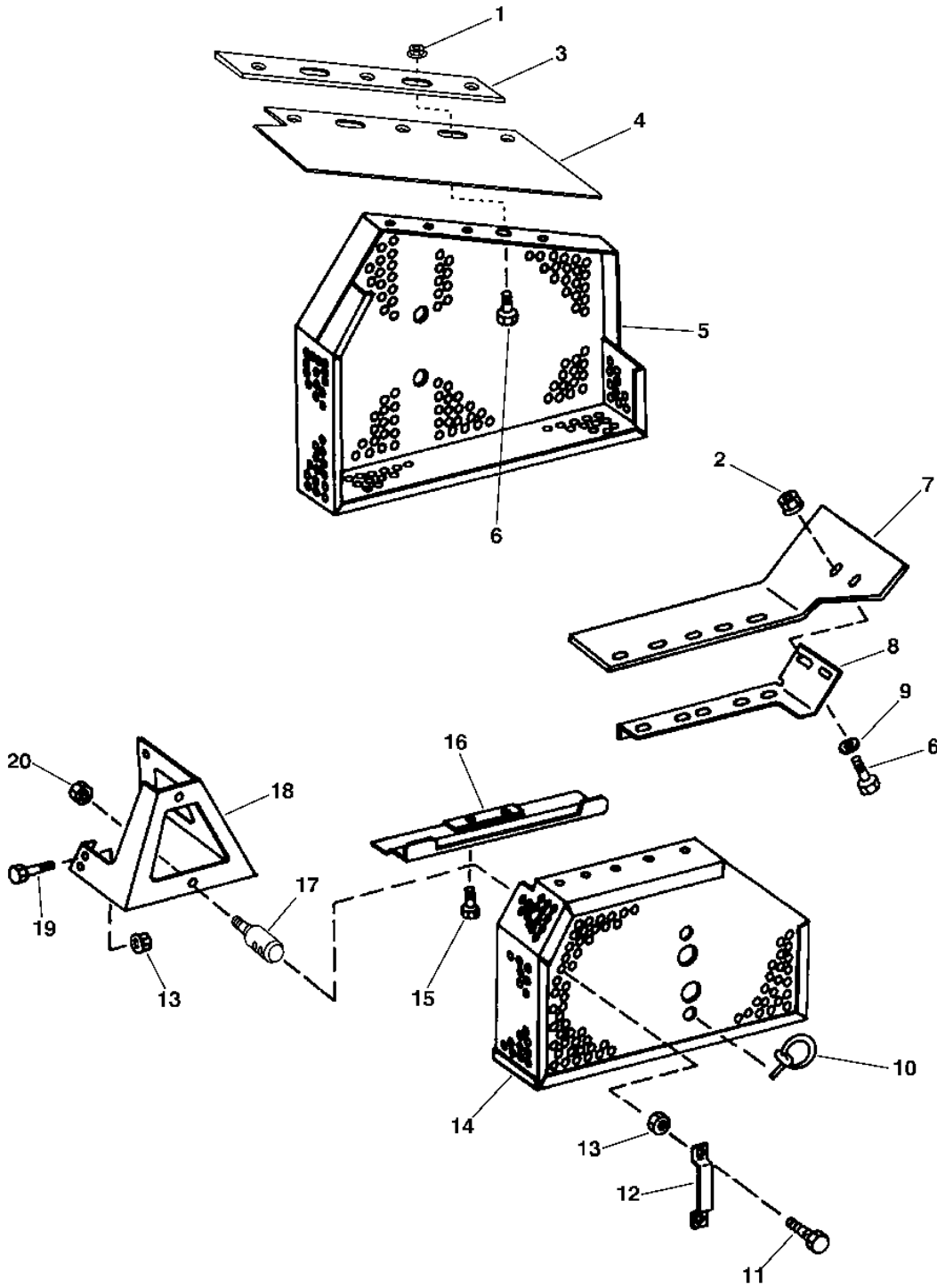
SHOE GRAIN SUPPLY AUGERS AND HOUSING - CONTINUED

| KEY | PART NO. | PART NAME | QTY | SERIAL NO. | REMARKS |
|-----|----------|--------------------------|-----|---------------|------------------------------------|
| 1 | | SHAFT KEY | AR | | 1/4 X 3/4 IN. (MAKE FROM H64374) |
| 2 | E63018 | SPRING PIN | AR | | |
| 3 | | SET SCREW | 1 | | |
| 4 | JD9273 | BALL BEARING | AR | | |
| 5 | 14M7296 | FLANGE NUT | 10 | | M10 |
| 6 | M2300T | CLAMP | 7 | -641842 | (SUB H145112) |
| | H145112 | CLAMP | 7 | | |
| 7 | H104795 | ACTUATOR | 1 | | |
| 8 | H104796 | ACTUATOR | 1 | | |
| 9 | 19M7866 | SCREW | 4 | | M8 X 20 |
| 10 | H127524 | BRACKET | 1 | | |
| 11 | JD8665 | BALL BEARING | 1 | | |
| 12 | 03M7184 | BOLT | 3 | | M8 X 20 |
| 13 | 21H1419 | SCREW | 1 | | 0.190" X 1" |
| 14 | 19M7358 | CAP SCREW | AR | -641464 | M10 X 40 |
| | 19M7572 | CAP SCREW | AR | 641465- | |
| 15 | JD7768 | LUBRICATION FITTING | 1 | -646666 | (SUB JD7767) |
| | JD7767 | LUBRICATION FITTING | 1 | 646667-646568 | (SUB AH142370) |
| | AH142370 | LUBRICATION FITTING | AR | 646569- | INCS H148435 PLATE AND JD7764 ZERK |
| 16A | H83089 | PLATE | AR | -646510 | (SUB AH142370) |
| 16B | AH142370 | LUBRICATION FITTING | AR | | INCS H148435 PLATE AND JD7764 ZERK |
| 17 | 03M7191 | BOLT | 3 | | M10 X 25 |
| 18 | H135475 | BEARING | 4 | | |
| 19 | E10018 | PRESSED FLANGED HOUSING | 2 | | |
| 20 | AH129451 | BALL BEARING | 1 | | |
| 21 | H102533 | SHIM | 1 | | |
| 22 | AH129452 | ECCENTRIC LOCKING COLLAR | 1 | | |
| 23 | H127525 | ANGLE | 1 | | |
| 24 | H94167 | CLAMP | 2 | | |
| 25 | H99638 | DOOR | 1 | | |
| 26 | 03M7221 | BOLT | 2 | -646864 | M6 X 16 |
| | 03M7183 | BOLT | 2 | 646865- | M8 X 16 |
| 27 | 24M7139 | WASHER | 2 | | 6.400 X 18 X 1.600 MM |
| 28 | 14M7019 | WING NUT | 2 | | M6 |
| 29 | H36155 | SHIM | 1 | 661459- | 0.762 MM |
| .. | TY6333 | GREASE | 1 | | |

7D17

CLEANING FAN LEAF SCREENS (CORN)

(660985-)
HP6508 -UN-15JUL96



HP6508

7D18

THRESHING AND SEPARATION

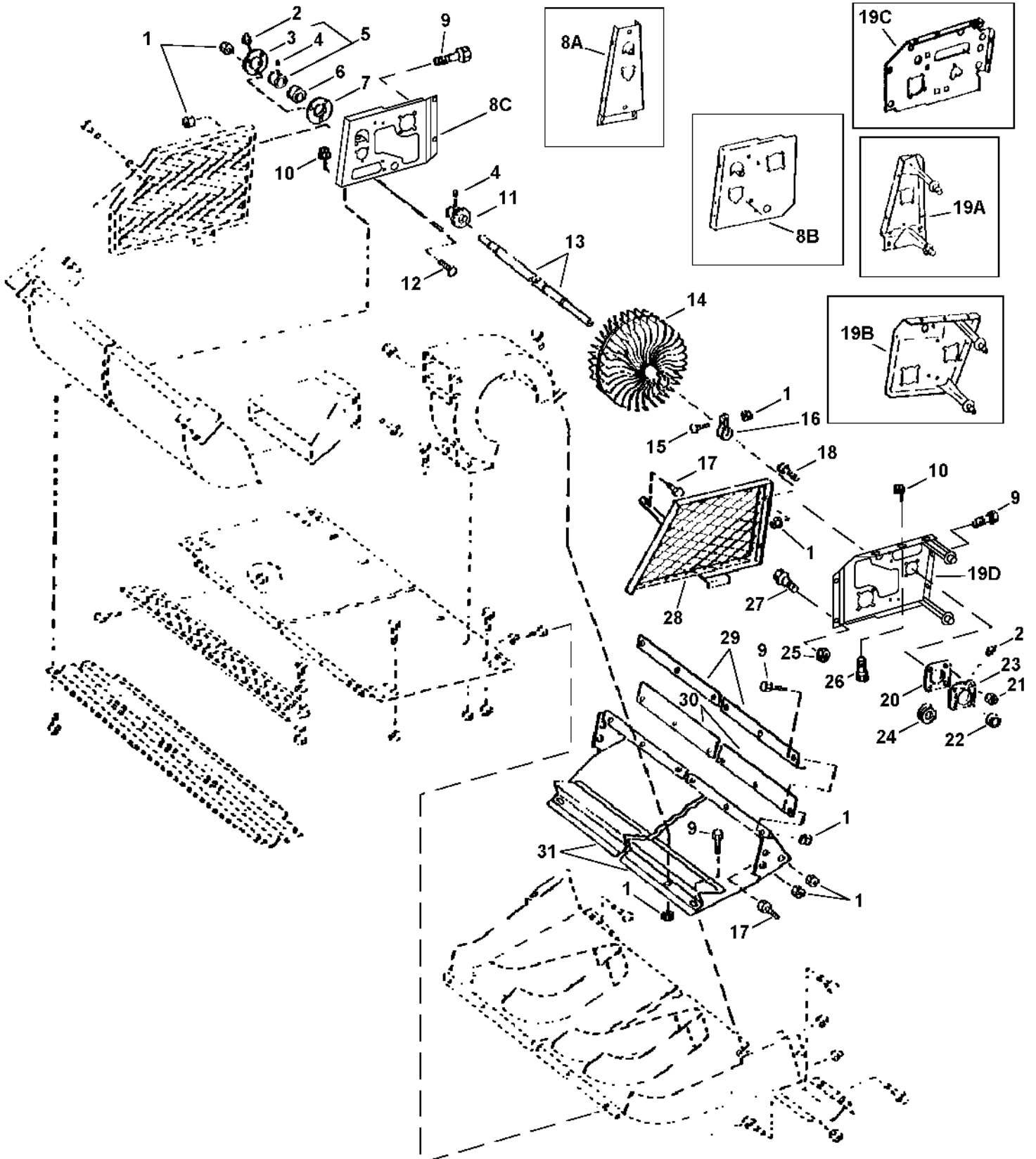
CLEANING FAN LEAF SCREENS (CORN) - CONTINUED
(660985-)

| KEY | PART NO. | PART NAME | QTY | SERIAL NO. | REMARKS |
|-----|----------------|------------------------------------|----------|------------|----------------------------|
| 1 | 14M7400 | LOCK NUT | 12 | -665300 | M10 |
| | 14M7400 | LOCK NUT | 7 | 665301- | M10 |
| 2 | 14M7298 | FLANGE NUT | 5 | 665301- | M8, R.H. |
| 3 | H150911 | SEAL | 1 | -665300 | |
| | H154763 | SEAL | 1 | 665301- | |
| 4 | H150909 | SEAL | 1 | -665300 | (SUB H154762) |
| | H154762 | SEAL | 1 | | |
| 5 | AH144827 | SCREEN | 1 | -665300 | R.H. |
| | AH148107 | SCREEN | 1 | 665301- | R.H. |
| 6 | 19M7784 | SCREW | 12 | -665300 | M10 X 20 |
| | 19M7866 | SCREW | 12 | | M8 X 20 |
| 7 | H150910 | SEAL | 1 | | |
| 8 | H151764 | REINFORCEMENT | 1 | -662578 | (SUB H153520) |
| | H153520 | REINFORCEMENT | 1 | | |
| 9 | 24H1307 | WASHER | 2 | | 10.312 X 25.400 X 1.600 MM |
| 10 | M72598 | QUICK LOCK PIN | 2 | | |
| 11 | 03M7183 | BOLT | 8 | -665300 | M8 X 16 |
| | 03M7183 | BOLT | 6 | 665301- | M8 X 16 |
| 12 | H85184 | HANDLE | 4 | | |
| 13 | 14M7298 | FLANGE NUT | 10 | | M8 |
| 14 | AH146196 | SCREEN | 1 | -662523 | (SUB AH147201) L.H. |
| | AH147201 | SCREEN | 1 | | L.H. |
| 15 | 19M7898 | SCREW | 4 | | M10 X 130 |
| 16 | AH132356 | CLIP | 2 | | SHIELD |
| 17 | H141975 | STUD | 2 | -665300 | SHOULDERED |
| | H154757 | STUD | 2 | 665301- | SHOULDERED |
| 18 | H146757 | BRACKET | 1 | | |
| 19 | 19M7866 | SCREW | 2 | | M8 X 20 |
| 20 | 14M7294 | NUT | 2 | | M10 |
| .. | BH81006 | COMPLETE GOODS/SHIP. BUNDLE | 1 | | CORN LEAF SCREENS |

7D19

THRESHING AND SEPARATION

CLEANING FANS AND SHROUDS
HP7425 -UN-23FEB98



HP7425

7D20

THRESHING AND SEPARATION

CLEANING FANS AND SHROUDS - CONTINUED

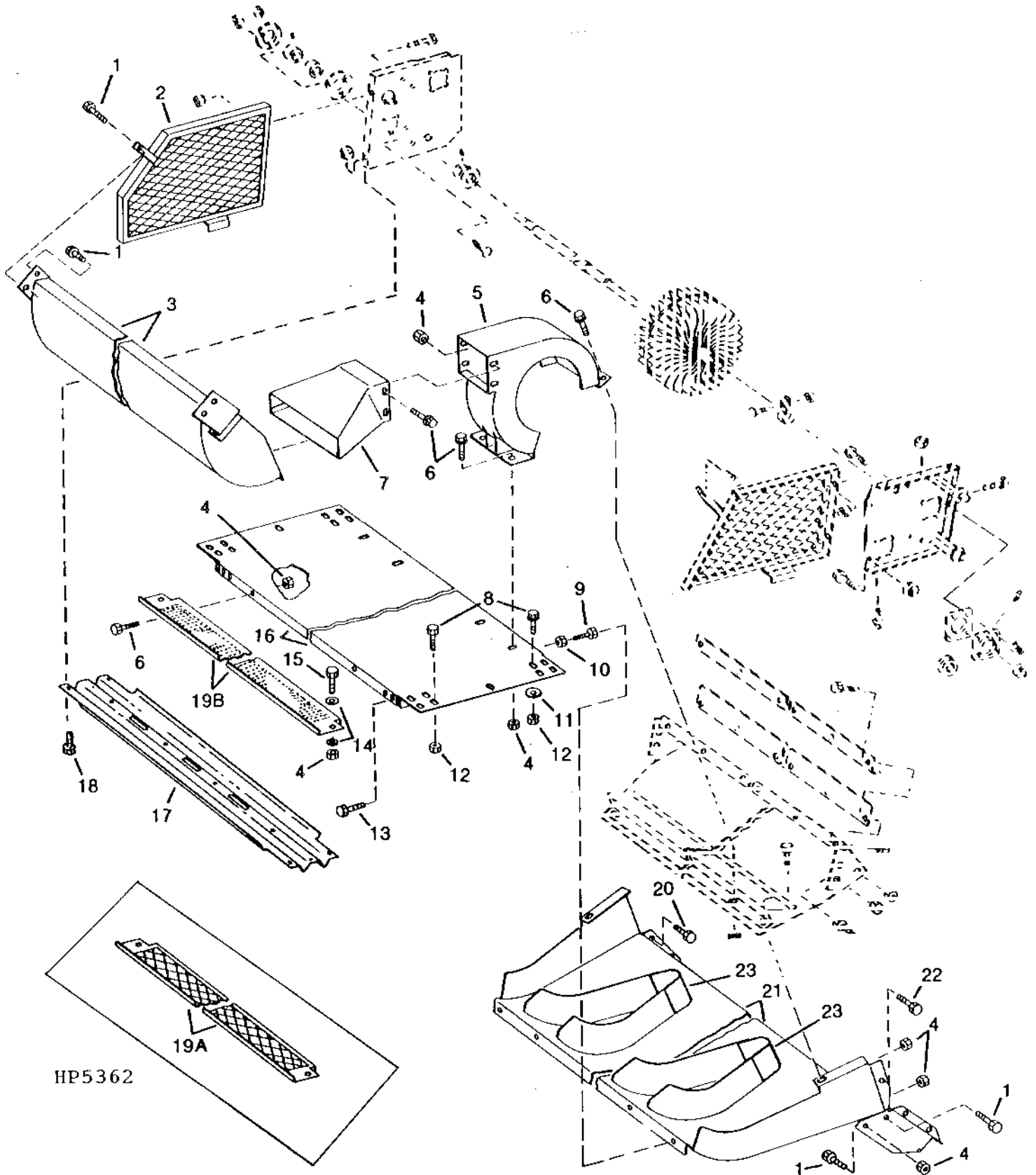
| KEY | PART NO. | PART NAME | QTY | SERIAL NO. | REMARKS |
|-----|----------------|------------------------------------|----------|---------------|---|
| 1 | 14M7298 | FLANGE NUT | AR | | M8, (SUB H137328) |
| | H137328 | LOCK NUT | AR | | |
| 2 | JD7788 | LUBRICATION FITTING | 2 | | 45° X 20.574 MM LONG (0.810" LONG) |
| 3 | AE26118 | PRESSED FLANGED HOUSING | 1 | | |
| 4 | 22M7027 | SET SCREW | 2 | | M6 X 16 |
| 5 | AZ10044 | ECCENTRIC LOCKING COLLAR | 1 | | |
| 6 | JD9490 | BALL BEARING | 1 | | |
| 7 | N52258 | PRESSED FLANGED HOUSING | 1 | | |
| 8A | H134213 | BRACKET | 1 | -650300 | (SUB H146754) |
| 8B | H146754 | BRACKET | 1 | -652230 | (SUB H150091) |
| 8C | H150091 | BRACKET | 1 | | |
| 9 | 19M7865 | SCREW | AR | | M8 X 16 |
| 10 | 14M7400 | LOCK NUT | 4 | | M10 |
| 11 | H122372 | WHEEL | 2 | | |
| 12 | 03M7185 | BOLT | 3 | | M8 X 25 |
| 13 | AH131092 | TUBE | 1 | | (SUB H171316) |
| | H171316 | TUBE | 1 | | |
| 14 | H119211 | ROTOR | 4 | | |
| 15 | 03M7189 | BOLT | 8 | -646363 | M8 X 45 |
| | 03M7188 | BOLT | 8 | 646364-671663 | M8 X 40 |
| | 03M7216 | BOLT | 8 | 671664- | M8 X 50 |
| 16 | H126247 | CLAMP | 8 | -645549 | (SUB H144468) |
| | H144468 | CLAMP | 8 | -671188 | |
| | H126247 | CLAMP | 8 | 671189- | |
| 17 | 19M7867 | SCREW | AR | | M8 X 25 |
| 18 | 03M7198 | BOLT | 4 | | M12 X 30 |
| 19A | AH131319 | BRACKET | 1 | -650300 | (SUB AH140620) |
| 19B | AH140620 | BRACKET | 1 | -652230 | (SUB AH144079) |
| 19C | AH144079 | BRACKET | 1 | -668400 | (SUB AH149328) L.H. |
| 19D | AH149328 | BRACKET | 1 | -29SEP7 | (INCLUDES H150092) SERVICE ONLY, L.H. BEARING |
| | H150092 | BRACKET | 1 | | |
| 20 | H113625 | PRESSED FLANGED HOUSING | 1 | | |
| 21 | 14M7299 | FLANGE NUT | AR | | M12 |
| 22 | AL14674 | ECCENTRIC LOCKING COLLAR | 1 | | |
| 23 | H113626 | PRESSED FLANGED HOUSING | 1 | | |
| 24 | AH139297 | BALL BEARING | 1 | | |
| 25 | 14M7396 | LOCK NUT | AR | | M8 |
| 26 | 19M7898 | SCREW | 4 | -670671 | M10 X 130 |
| | 19M7944 | SCREW | 4 | 670672- | M10 X 120 |
| 27 | 19M7803 | SCREW | 4 | | M8 X 70 |
| 28 | AH130988 | SHIELD | 1 | | L.H. |
| 29 | H98546 | REINFORCEMENT | 1 | | |
| 30 | H133080 | SEAL | 1 | | |
| 31 | AH128312 | AIR DUCT | 1 | | |
| .. | BH80130 | COMPLETE GOODS/SHIP. BUNDLE | 1 | | CLEANING FAN SHIELDS |

7D21

THRESHING AND SEPARATION

CLEANING FANS AND SHROUDS

HP5362 -UN-01JAN94



HP5362

7D22

THRESHING AND SEPARATION

CLEANING FANS AND SHROUDS - CONTINUED

| KEY | PART NO. | PART NAME | QTY | SERIAL NO. | REMARKS |
|-----|----------------|------------------------------------|----------|------------|--|
| 1 | 19M7867 | SCREW | AR | | M8 X 25 |
| | 37M7083 | SCREW | 4 | 642113- | M8 X 12, (USED ON AIR DUCT) |
| 2 | AH127726 | SHIELD | 1 | | R.H. |
| 3 | AH126213 | AIR DUCT | 1 | | |
| 4 | 14M7298 | FLANGE NUT | AR | | M8 |
| 5 | AH163761 | HOUSING | 4 | | (SUB FOR AH125692 AND AH125693) |
| 6 | 19M7865 | SCREW | AR | | M8 X 16 |
| 7 | AH163761 | HOUSING | 4 | | (SUB FOR AH125693 AND AH125692) |
| 8 | 19M7818 | SCREW | AR | | M12 X 80 |
| 9 | 19M7866 | SCREW | AR | | M8 X 20 |
| 10 | 14M7396 | LOCK NUT | AR | | M8 |
| 11 | 28H2611 | SPACER | 18 | | 13.868 X 21.336 X 50.800 MM (0.546" X 0.840" X 2") |
| 12 | 14M7299 | FLANGE NUT | AR | | M12 |
| 13 | 19M7789 | SCREW | 4 | | M12 X 30 |
| 14 | 24M7207 | WASHER | 4 | | 8.400 X 24 X 2 MM |
| 15 | 19M7868 | SCREW | 2 | | M8 X 30 |
| 16 | AH128306 | SUPPORT | 1 | | |
| 17 | H134995 | PLATE | 1 | | (FOR CORN AND GRAIN ONLY) |
| | H137388 | PLATE | 1 | | (FOR RICE ONLY) |
| 18 | 19M7898 | SCREW | 4 | | M10 X 130 |
| 19A | AH132828 | SHIELD | 1 | -641944 | (SUB H144559) (FOR CORN, BEAN OR RICE) |
| 19B | H144559 | SHIELD | 1 | | (RICE AND CORN) |
| 20 | 19M8039 | SCREW | AR | | M8 X 80 |
| 21 | AH130476 | AIR DUCT | 1 | | |
| 22 | 19M7800 | SCREW | 2 | | M8 X 50 |
| 23 | AH138385 | MOUNTING PARTS | 1 | 636228- | (CONTAINS 3 COVERS) |
| .. | BH80130 | COMPLETE GOODS/SHIP. BUNDLE | 1 | | CLEANING FAN SHIELDS |

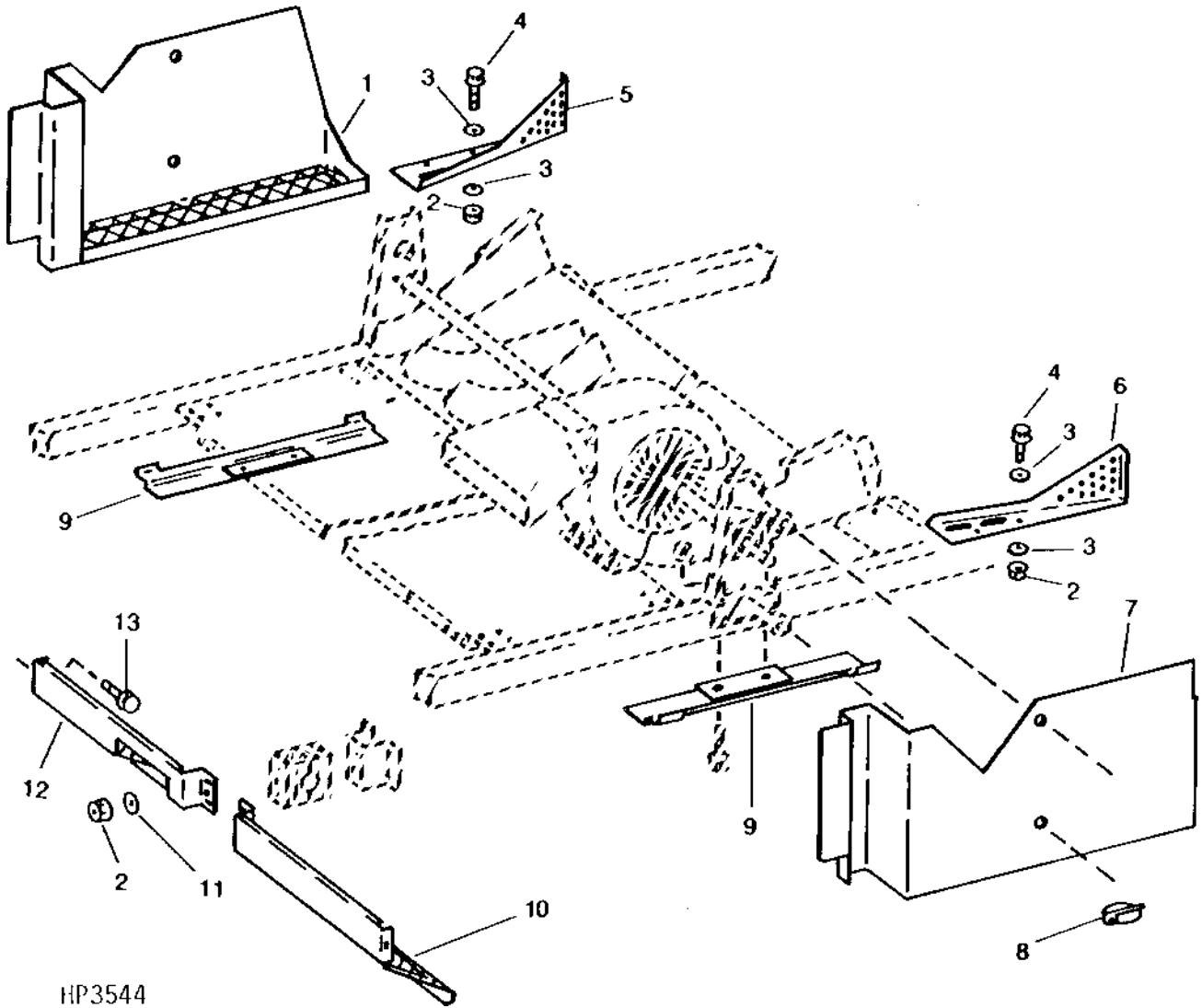
7D23

THRESHING AND SEPARATION

CLEANING FAN INTAKE SHIELDS (OPTIONAL)

(-645306)

HP3544 -UN-01JAN94



HP3544

7D24

THRESHING AND SEPARATION

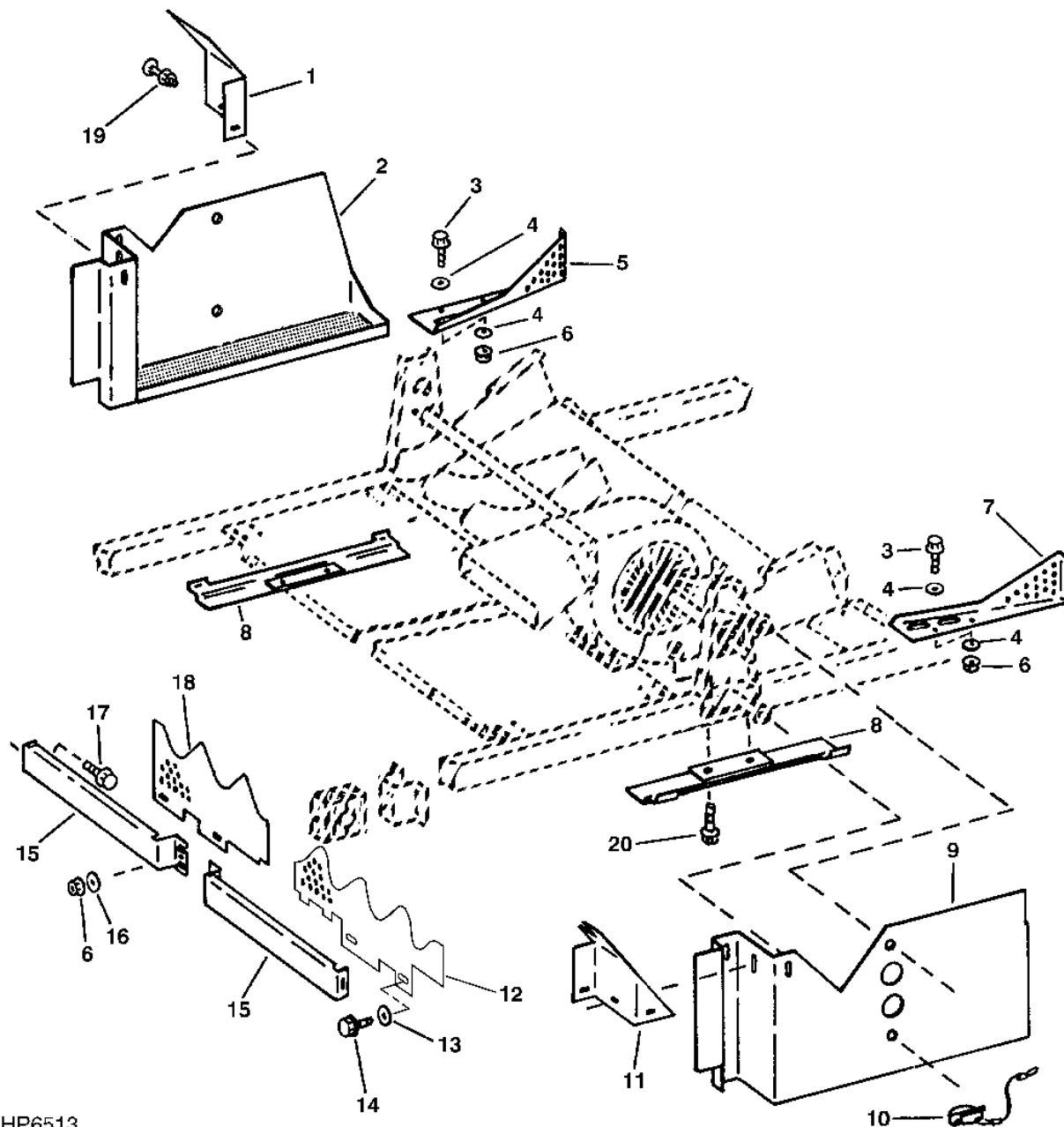
CLEANING FAN INTAKE SHIELDS (OPTIONAL) - CONTINUED

(-645306)

| KEY | PART NO. | PART NAME | QTY | SERIAL NO. | REMARKS |
|-----|----------------|------------------------------------|----------|------------|---|
| 1 | AH132860 | SHIELD | 1 | -641944 | (SUB AH138374) RIGHT-HAND (FOR RICE ONLY) |
| | AH138374 | SHIELD | 1 | | RIGHT-HAND (FOR RICE ONLY) |
| 2 | 14M7298 | FLANGE NUT | 4 | | M8 |
| 3 | 24M7207 | WASHER | 4 | | 8.400 X 24 X 2 MM |
| 4 | 19M7801 | SCREW | 2 | | M8 X 60 |
| 5 | H137348 | SHIELD | 1 | -641944 | (SUB H145950) RIGHT-HAND (FOR RICE ONLY) |
| | H145950 | SHIELD | 1 | | RIGHT-HAND (FOR RICE ONLY) |
| 6 | H137347 | SHIELD | 1 | -641944 | (SUB H145949) LEFT-HAND (FOR RICE ONLY) |
| | H145949 | SHIELD | 1 | | LEFT-HAND (FOR RICE ONLY) |
| 7 | AH132859 | SHIELD | 1 | | LEFT-HAND (FOR RICE ONLY) |
| 8 | M72598 | QUICK LOCK PIN | 4 | | |
| 9 | AH132356 | CLIP | 2 | | (FOR RICE ONLY) |
| 10 | AH132159 | SHIELD | 1 | -641944 | (SUB H134683 AND H145897) LEFT-HAND |
| | H134683 | SHIELD | 1 | | |
| | H145897 | SHIELD | 1 | | |
| 11 | 24M7055 | WASHER | 4 | | 8.400 X 16 X 1.600 MM |
| 12 | AH132160 | SHIELD | 1 | -641944 | (SUB H134683 AND H145898) RIGHT-HAND |
| | H134683 | SHIELD | 1 | | |
| | H145898 | SHIELD | 1 | | |
| 13 | 19M7866 | SCREW | 1 | | M8 X 20, (INTO WELDNUT) |
| .. | BH79685 | COMPLETE GOODS/SHIP. BUNDLE | 1 | | CLEANING FAN SHIELDS |

CLEANING FAN INTAKE SHIELDS (OPTIONAL)

(645307-)
HP6513 -UN-15JUL96



HP6513

7E2

THRESHING AND SEPARATION

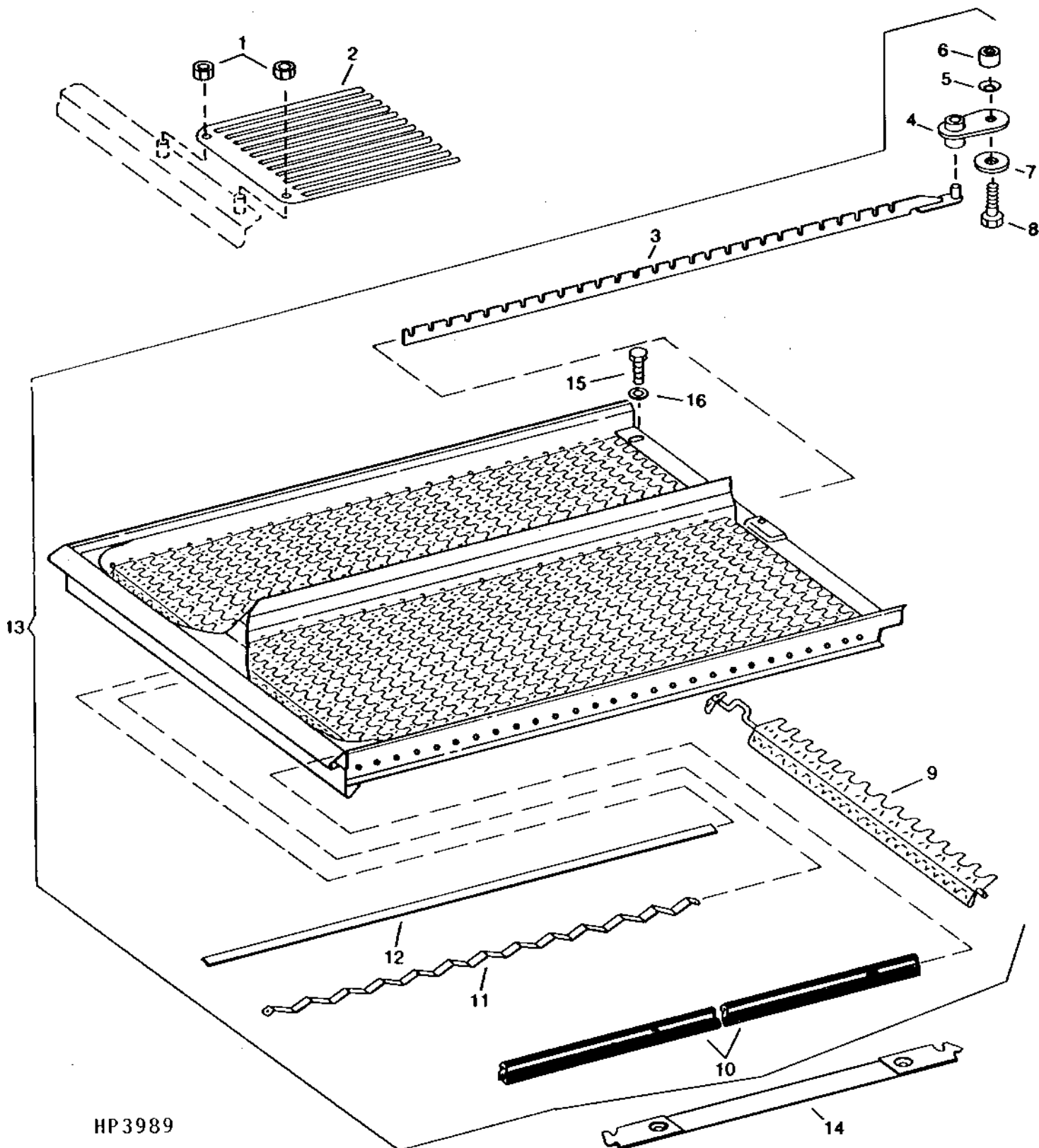
CLEANING FAN INTAKE SHIELDS (OPTIONAL) - CONTINUED (645307-)

| KEY | PART NO. | PART NAME | QTY | SERIAL NO. | REMARKS |
|-----|----------------|------------------------------------|----------|------------|----------------------------|
| 1 | H144556 | SHIELD | 1 | | RIGHT-HAND |
| 2 | AH138374 | SHIELD | 1 | | RIGHT-HAND |
| 3 | 19M7801 | SCREW | 2 | | M8 X 60 |
| 4 | 24M7207 | WASHER | 4 | | 8.400 X 24 X 2 MM |
| 5 | H145950 | SHIELD | 1 | | RIGHT-HAND |
| 6 | 14M7298 | FLANGE NUT | 4 | | M8 |
| 7 | H145949 | SHIELD | 1 | | LEFT-HAND |
| 8 | AH132356 | CLIP | 2 | | (FOR RICE ONLY) |
| 9 | AH138375 | SHIELD | 1 | | LEFT-HAND |
| 10 | AH135290 | QUICK LOCK PIN | 2 | | |
| 11 | H144557 | SHIELD | 1 | | LEFT-HAND |
| 12 | H145897 | SHIELD | 1 | | LEFT-HAND |
| 13 | 24M7178 | WASHER | 4 | | 10.500 X 30 X 2.500 MM |
| 14 | 37M7086 | SCREW | 4 | | M10 X 20, SELF-TAPPING |
| 15 | H134683 | SHIELD | 2 | | |
| 16 | 24M7055 | WASHER | 2 | | 8.400 X 16 X 1.600 MM |
| 17 | 19M7866 | SCREW | 2 | | M8 X 20, (INTO WELDNUT) |
| 18 | H145898 | SHIELD | 1 | | RIGHT-HAND |
| 19 | 03M7183 | BOLT | 6 | | M8 X 16 |
| | 14M7298 | FLANGE NUT | 6 | | M8 |
| 20 | 19M7898 | SCREW | 4 | | M10 X 130, (FOR RICE ONLY) |
| .. | BH79685 | COMPLETE GOODS/SHIP. BUNDLE | 1 | | AXLE TRASH SHIELDS |
| .. | BH79693 | COMPLETE GOODS/SHIP. BUNDLE | 1 | | AXLE TRASH SHIELDS |

7E3

THRESHING AND SEPARATION

PRECLEANING CHAFFER
HP3989 -UN-01JAN94



HP3989

7E4

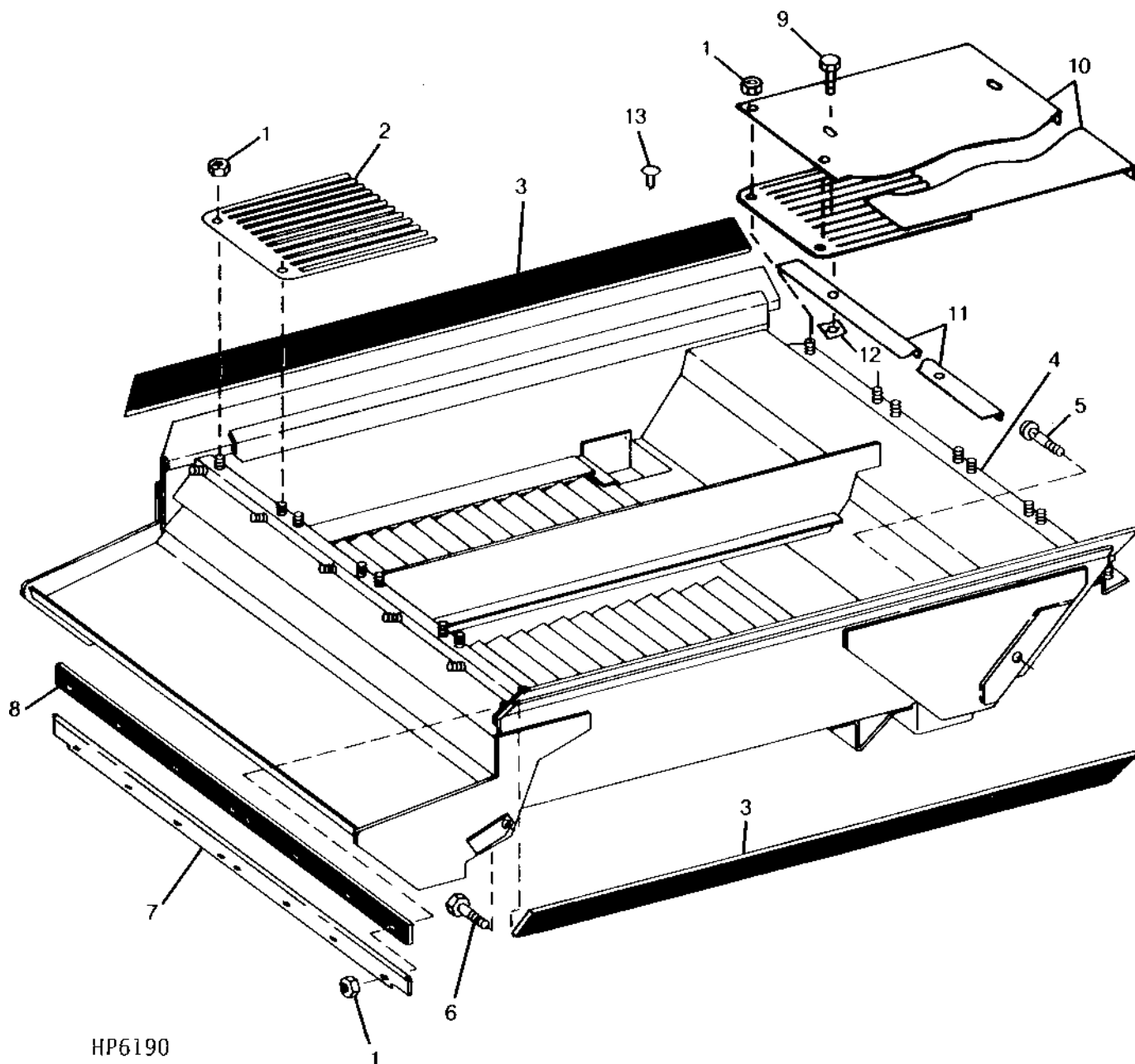
THRESHING AND SEPARATION

PRECLEANING CHAFFER - CONTINUED

| KEY | PART NO. | PART NAME | QTY | SERIAL NO. | REMARKS |
|-----|----------|-------------|-----|------------|--|
| 1 | 14M7396 | LOCK NUT | AR | | M8 |
| 2 | H132160 | FINGER | AR | -670300 | (12 FINGER) |
| | H132161 | FINGER | AR | -670300 | (15 FINGER) |
| | H156717 | FINGER | AR | | (12 FINGER) |
| | H156718 | FINGER | AR | | (15 FINGER) |
| 3 | AH130186 | STRIP | 1 | | (12 FINGER) |
| 4 | AH122080 | LINK | 1 | | |
| 5 | H126934 | WASHER | 2 | | 9.910 X 19.050 X 1.020 MM (0.390" X 3/4" X 0.040") |
| 6 | H126932 | NUT | 1 | | |
| 7 | H126933 | WASHER | 1 | | |
| 8 | H110178 | SCREW | 1 | | M10 X 30 |
| 9 | AH130184 | LOUVER | 26 | | GENERAL PURPOSE LOUVER |
| | AH127466 | LOUVER | 26 | | DEEP TOOTH LOUVER |
| 10 | AH127477 | ISOLATOR | 2 | -641588 | (SUB AH140044) |
| | AH140044 | ISOLATOR | 2 | | |
| 11 | H132291 | LEAF SPRING | 2 | | |
| 12 | H132288 | STRIP | 2 | | |
| 13 | AH149544 | PRESCREENER | 2 | | (SUB FOR AH130150 OR AH148507) GENERAL PURPOSE LOUVERS |
| | AH149548 | PRESCREENER | 2 | | (SUB FOR AH130153 OR AH148510) DEEP TOOTH LOUVERS |
| | AH131214 | SIEVE | 2 | | FIXED, 3 MM (1/8") ROUND HOLES |
| | AH127870 | CHAFFER | 2 | | STEP PAN SURFACE, NON-PERFORATED |
| 14 | AH131213 | HANDLE | 1 | -652419 | (SUB H149997) |
| | H149997 | GRIP | 1 | | |
| 15 | 19M7785 | SCREW | 3 | | M10 X 25 |
| 16 | 24H1308 | WASHER | 3 | | 13/32" X 1" X 0.134" |

7E5

PRECLEANER CHAFFER FRAME
HP6190 -UN-03OCT95



HP6190

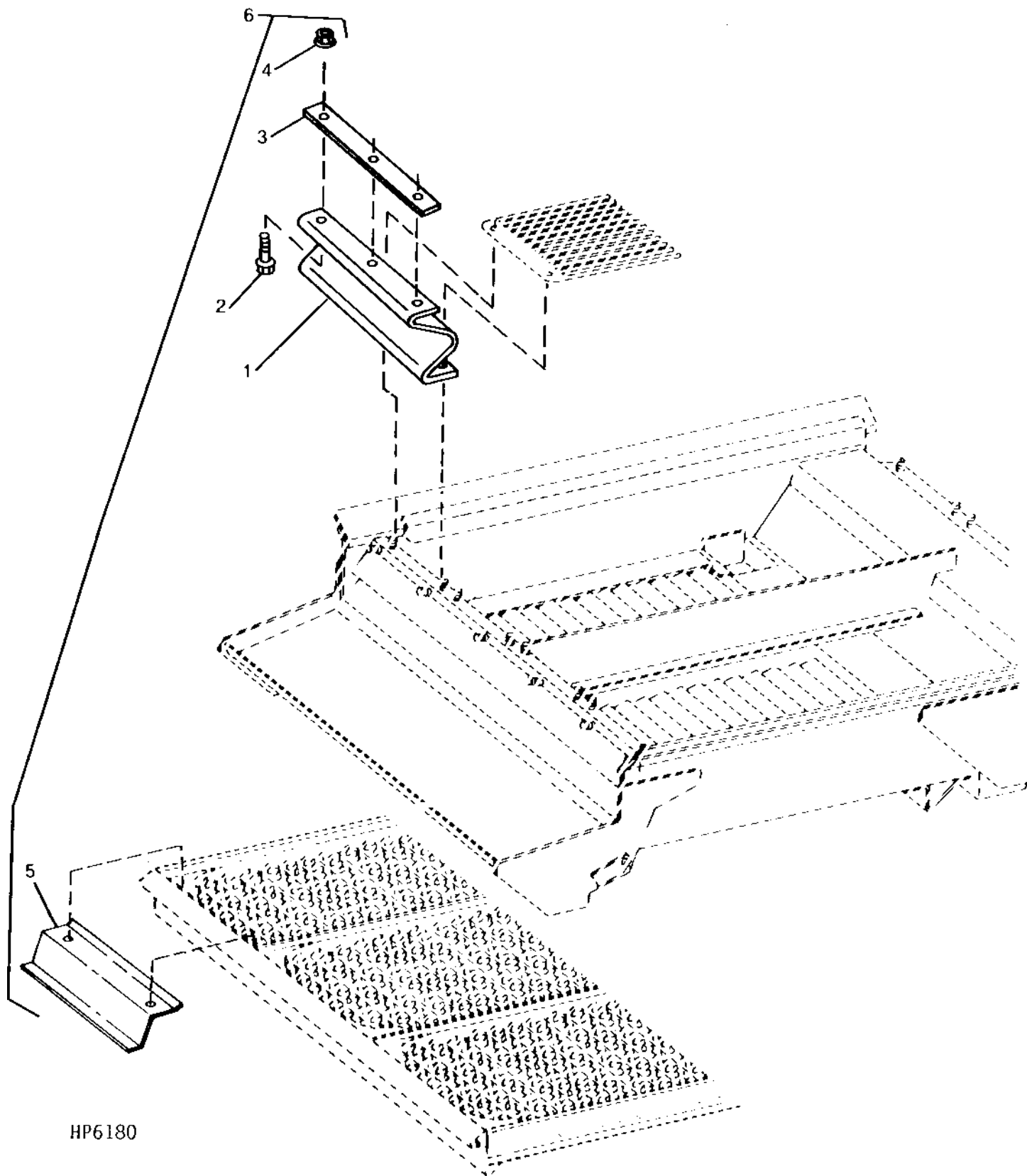
7E6

THRESHING AND SEPARATION

PRECLEANER CHAFFER FRAME - CONTINUED

| KEY | PART NO. | PART NAME | QTY | SERIAL NO. | REMARKS |
|-----|----------------|------------------------------------|----------|------------|---------------------------------|
| 1 | 14M7396 | LOCK NUT | 8 | | M8 |
| 2 | H132160 | FINGER | 2 | -670300 | 12 FINGER |
| | H132161 | FINGER | 4 | | 15 FINGER (FRONT) |
| | H156717 | FINGER | 2 | | 12 FINGER |
| | H156718 | FINGER | 4 | | 15 FINGER (REAR) |
| 3 | H140247 | SEAL | 2 | -665300 | |
| | H152232 | SEAL | 2 | 665301- | (ILLUSTRATED) |
| 4 | AH128457 | FRAME | 1 | -665300 | (SUB AH146572) |
| | AH146572 | FRAME | 1 | -670300 | |
| | AH149993 | FRAME | 1 | -671208 | NO LONGER AVAILABLE |
| | AH153807 | FRAME | 1 | | |
| 5 | 03M7281 | BOLT | 2 | -667118 | M16 X 180 |
| | H154930 | BOLT | 2 | 667119- | |
| 6 | 19M7758 | CAP SCREW | 2 | | M12 X 130 |
| 7 | H135543 | STRIP | 1 | -665300 | |
| | H152310 | STRIP | 1 | 665301- | |
| 8 | H135541 | SEAL | 1 | -665300 | |
| | H152309 | SEAL | 1 | 665301- | |
| 9 | 19M7868 | SCREW | 8 | | M8 X 30 |
| 10 | H136608 | SHEET | 1 | | |
| 11 | H136610 | ANGLE | 4 | | |
| 12 | R87345 | LOCK NUT | 8 | | 9.525 MM (3/8") |
| 13 | R55326 | RIVET | 6 | | |
| .. | BH78574 | COMPLETE GOODS/SHIP. BUNDLE | 1 | | PRECLEANER CHAFFER FRAME |

GRAIN LEAK KIT
(662711-)
HP6180 -UN-03OCT95



HP6180

7E8

THRESHING AND SEPARATION

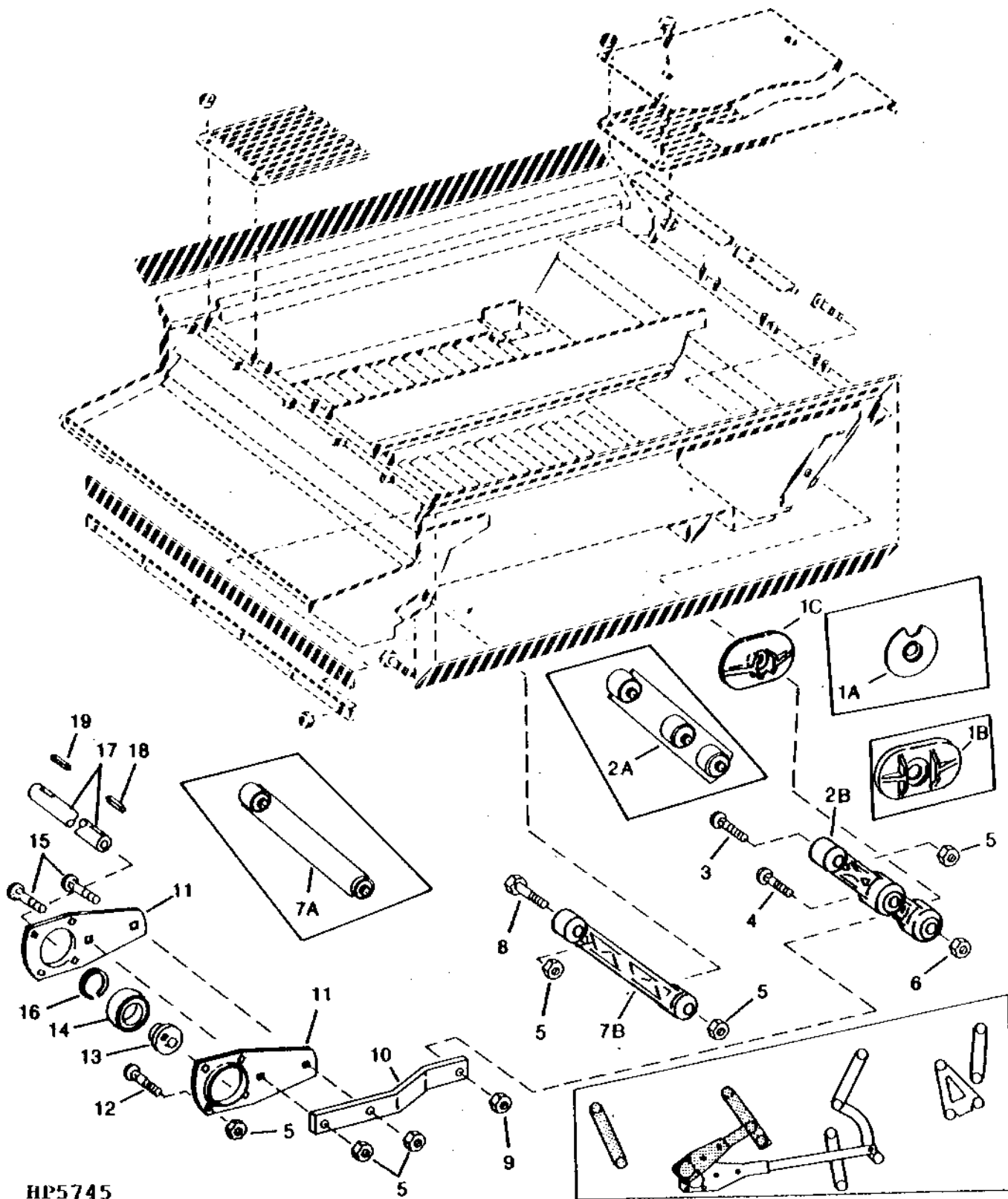
GRAIN LEAK KIT - CONTINUED
(662711-)

| KEY | PART NO. | PART NAME | QTY | SERIAL NO. | REMARKS |
|-----|----------|------------|-----|------------|-------------------------|
| 1 | H153647 | SEAL | 2 | | (R.H. SIDE ILLUSTRATED) |
| 2 | 19M7862 | SCREW | 6 | | M6 X 20 |
| 3 | H153649 | STRAP | 1 | | |
| 4 | 14M7303 | FLANGE NUT | 6 | | M6 |
| 5 | H153759 | GUARD | 4 | | (R.H. SIDE ILLUSTRATED) |
| 6 | AH147583 | KIT | 1 | | COMPLETE |

7E9

THRESHING AND SEPARATION

PRECLEANER CHAFFER FRAME ARMS
HP5745 -UN-01JAN94



HP5745

7E10

THRESHING AND SEPARATION

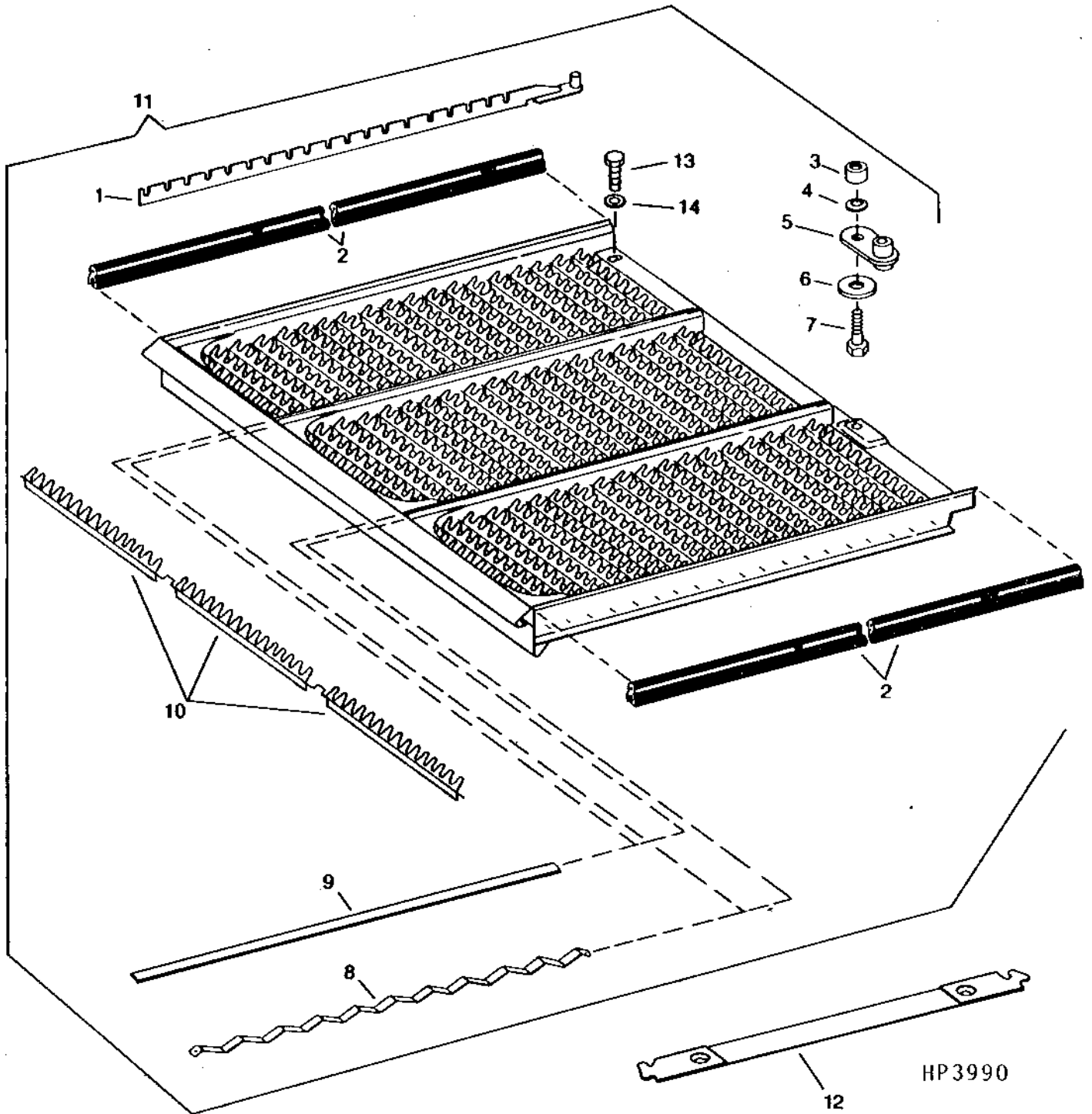
PRECLEANER CHAFFER FRAME ARMS - CONTINUED

| KEY | PART NO. | PART NAME | QTY | SERIAL NO. | REMARKS |
|-----|----------|-------------------------|-----|------------|---|
| 1A | H137187 | SEAL | 1 | -636678 | (SUB H141416) |
| 1B | H141416 | SEAL | 2 | -645699 | (USE WITH AH125967) ONLY |
| 1C | H146672 | SEAL | 2 | 645700- | (USE WITH AH138234) ONLY |
| 2A | AH125967 | LINK | 2 | -645655 | (SUB AH138234) |
| 2B | AH138234 | LINK | 2 | | CAST |
| 3 | 03M7248 | BOLT | 2 | | M12 X 90 |
| 4 | 19M8043 | CAP SCREW | 2 | | M16 X 140 |
| 5 | 14M7299 | FLANGE NUT | AR | | M12 |
| 6 | 14M7276 | NUT | 2 | | M16 |
| 7A | AH126097 | ARM | 2 | -645699 | (SUB AH138231) |
| 7B | AH138231 | LINK | 2 | | CAST |
| 8 | 19M7818 | SCREW | 1 | | M12 X 80 |
| 9 | 14M7291 | FLANGE NUT | 2 | | M16 |
| 10 | H130922 | PITMAN | 2 | | |
| 11 | H134118 | PRESSED FLANGED HOUSING | 4 | | |
| 12 | 03M7197 | BOLT | AR | | M12 X 25 |
| 13 | H133599 | CAM | 1 | | LEFT-HAND |
| | H133602 | CAM | 1 | | RIGHT-HAND |
| 14 | AH125975 | BALL BEARING | 2 | | |
| 15 | 03M7200 | BOLT | AR | | M12 X 40 |
| 16 | R43383 | SNAP RING | 2 | | |
| 17 | H133597 | SHAFT | 1 | | CLEANING SHOE SHAFT |
| 18 | | SHAFT KEY | 1 | | 6 X 50 MM (IN AH141142 KEY STOCK KIT) (CUT FROM H150268) |
| 19 | | SHAFT KEY | 1 | | 6 X 100 MM (IN AH141142 KEY STOCK KIT) (CUT FROM H150268) |

7E11

THRESHING AND SEPARATION

CHAFFER ELEMENT
HP3990 -UN-01JAN94



7E12

THRESHING AND SEPARATION

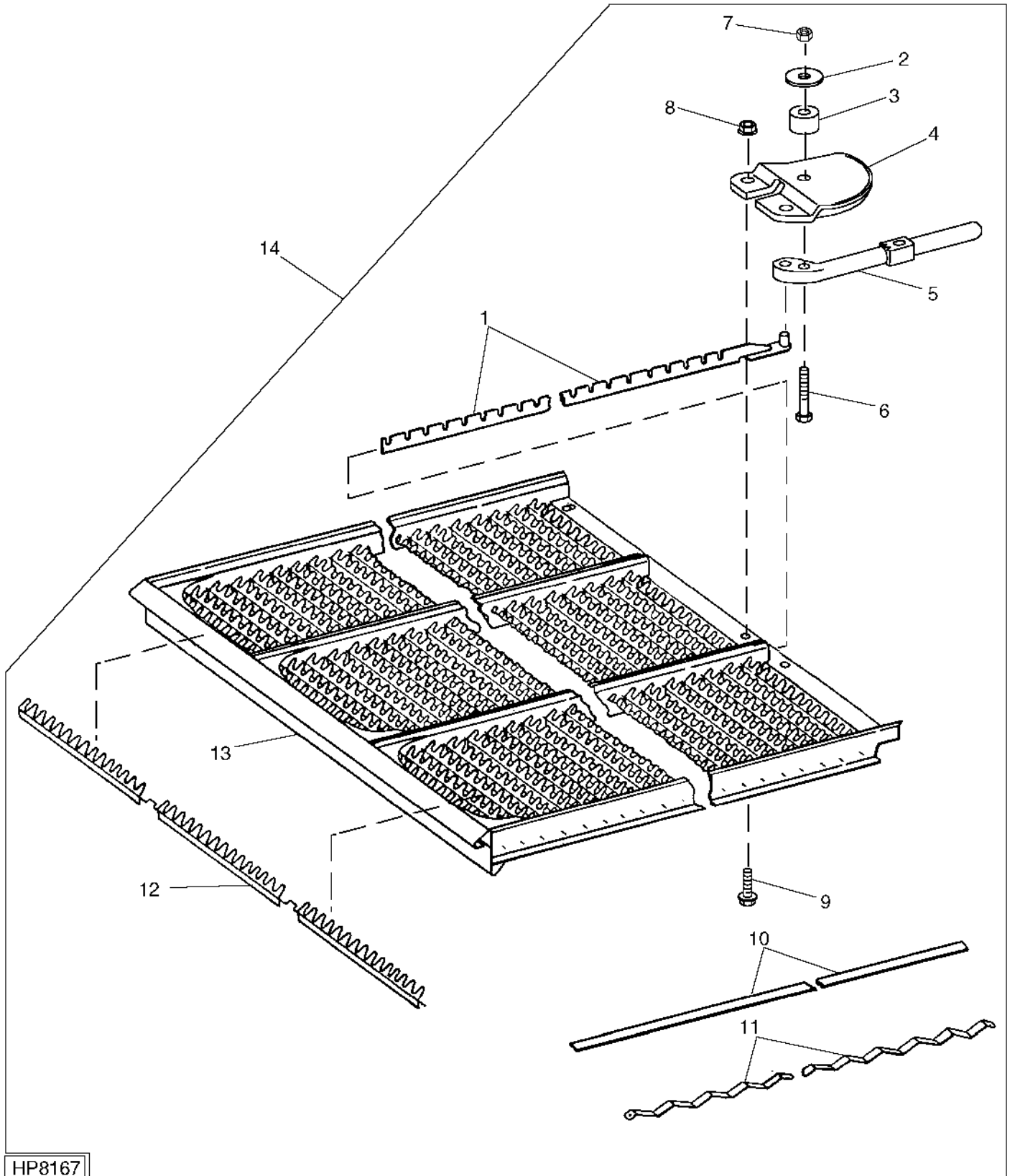
CHAFFER ELEMENT - CONTINUED

| KEY | PART NO. | PART NAME | QTY | SERIAL NO. | REMARKS |
|-----|----------|-------------|-----|------------|--|
| 1 | AH130186 | STRIP | 1 | | |
| 2 | AH127477 | ISOLATOR | 2 | -641588 | (SUB AH140044) |
| | AH140044 | ISOLATOR | 2 | | |
| 3 | H126932 | NUT | 1 | | FOR SEMI-DEEP TOOTH LOUVERS |
| 4 | H126934 | WASHER | 2 | | 9.910 X 19.050 X 1.020 MM (0.390" X 3/4" X 0.040") |
| 5 | AH122080 | LINK | 1 | | |
| 6 | H126933 | WASHER | 1 | | |
| 7 | H110178 | SCREW | 1 | M10 X 30 | |
| 8 | H132291 | LEAF SPRING | 1 | | |
| 9 | H132288 | STRIP | 2 | | |
| 10 | AH132786 | LOUVER | 27 | | FOR GENERAL PURPOSE LOUVERS |
| | AH127466 | LOUVER | 27 | | FOR SEMI-DEEP TOOTH LOUVERS |
| 11 | AH132784 | CHAFFER | 2 | | FOR GENERAL PURPOSE LOUVERS |
| | AH127425 | CHAFFER | 2 | | FOR SEMI-DEEP TOOTH LOUVERS, (SUB AH149552) |
| | AH130485 | CHAFFER | 2 | | FOR FIXED LOUVERS |
| | AH149552 | CHAFFER | 2 | | FOR SEMI-DEEP TOOTH LOUVERS |
| 12 | H149997 | GRIP | 1 | | (SUB FOR AH131213) |
| 13 | 19M7785 | SCREW | 3 | M10 X 25 | |
| 14 | 24H1308 | WASHER | 3 | | 13/32" X 1" X 0.134" |

7E13

THRESHING AND SEPARATION

CHAFFER ELEMENT-DEEP TOOTH WIDE
HP8167 -UN-17FEB99



HP8167

7E14

THRESHING AND SEPARATION

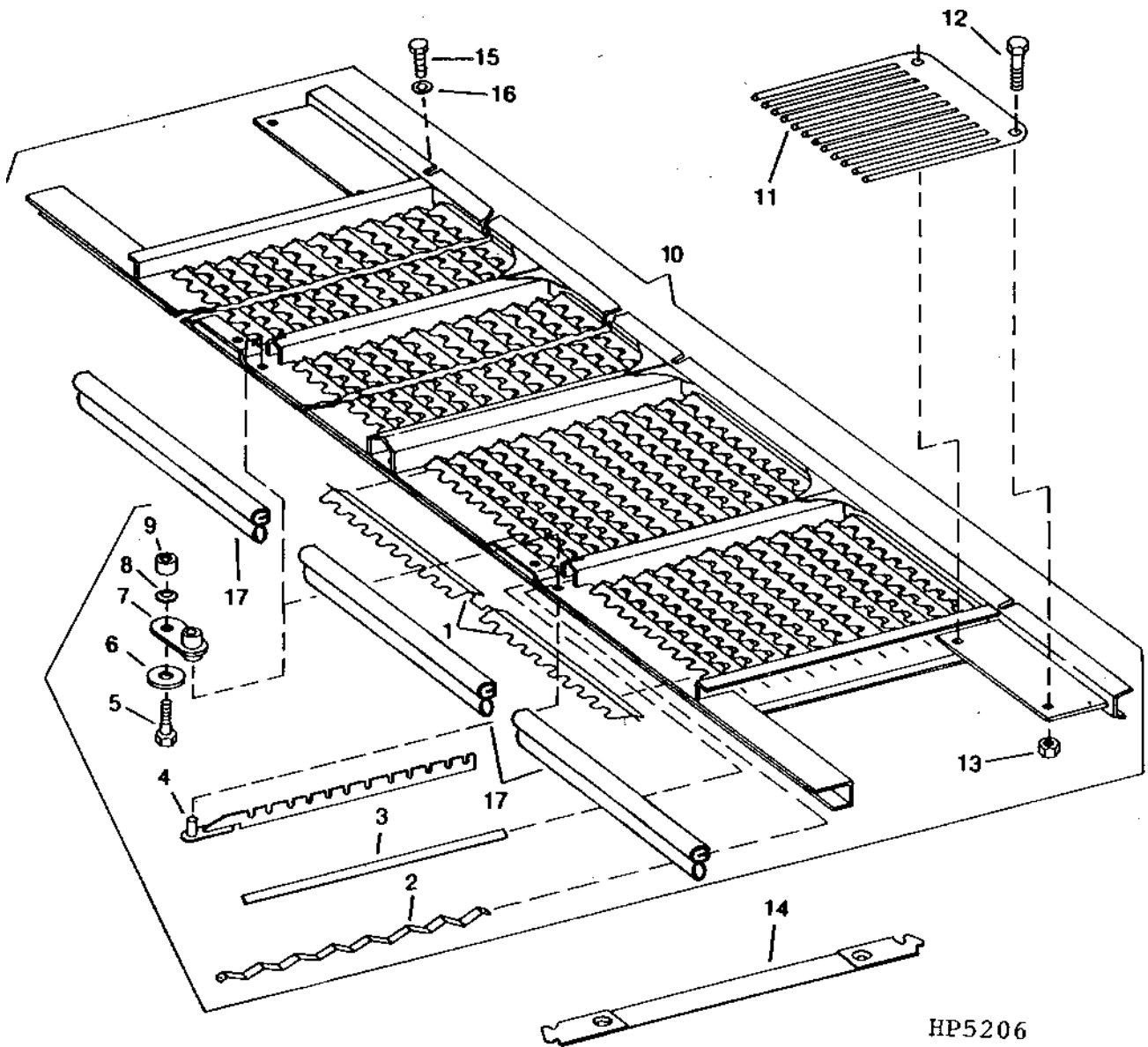
CHAFFER ELEMENT-DEEP TOOTH WIDE-CONTINUED

| KEY | PART NO. | PART NAME | QTY | SERIAL NO. | REMARKS |
|-----|----------|-------------|-----|------------|-------------------------|
| 1 | AH150167 | STRIP | 1 | | |
| 2 | 24H1695 | WASHER | 1 | | 9/32" X 1-3/8" X 0.065" |
| 3 | A37576 | PAD | 1 | | |
| 4 | H157740 | BRACKET | 1 | | |
| 5 | H157743 | HANDLE | 1 | | |
| 6 | 19M7177 | CAP SCREW | 1 | | M6 X 35 |
| 7 | 14M7397 | LOCK NUT | 1 | | M6 |
| 8 | 14M7296 | FLANGE NUT | 2 | | M10 |
| 9 | 19M7784 | SCREW | 2 | | M10 X 20 |
| 10 | H132288 | STRIP | 1 | | |
| 11 | H132291 | LEAF SPRING | 1 | | |
| 12 | AH127466 | LOUVER | 27 | | |
| 13 | | FRAME | 1 | | |
| 14 | AH149552 | CHAFFER | 1 | | |

7E15

THRESHING AND SEPARATION

CHAFFER EXTENSION ELEMENT
HP5206 -UN-01JAN94



HP5206

7E16

THRESHING AND SEPARATION

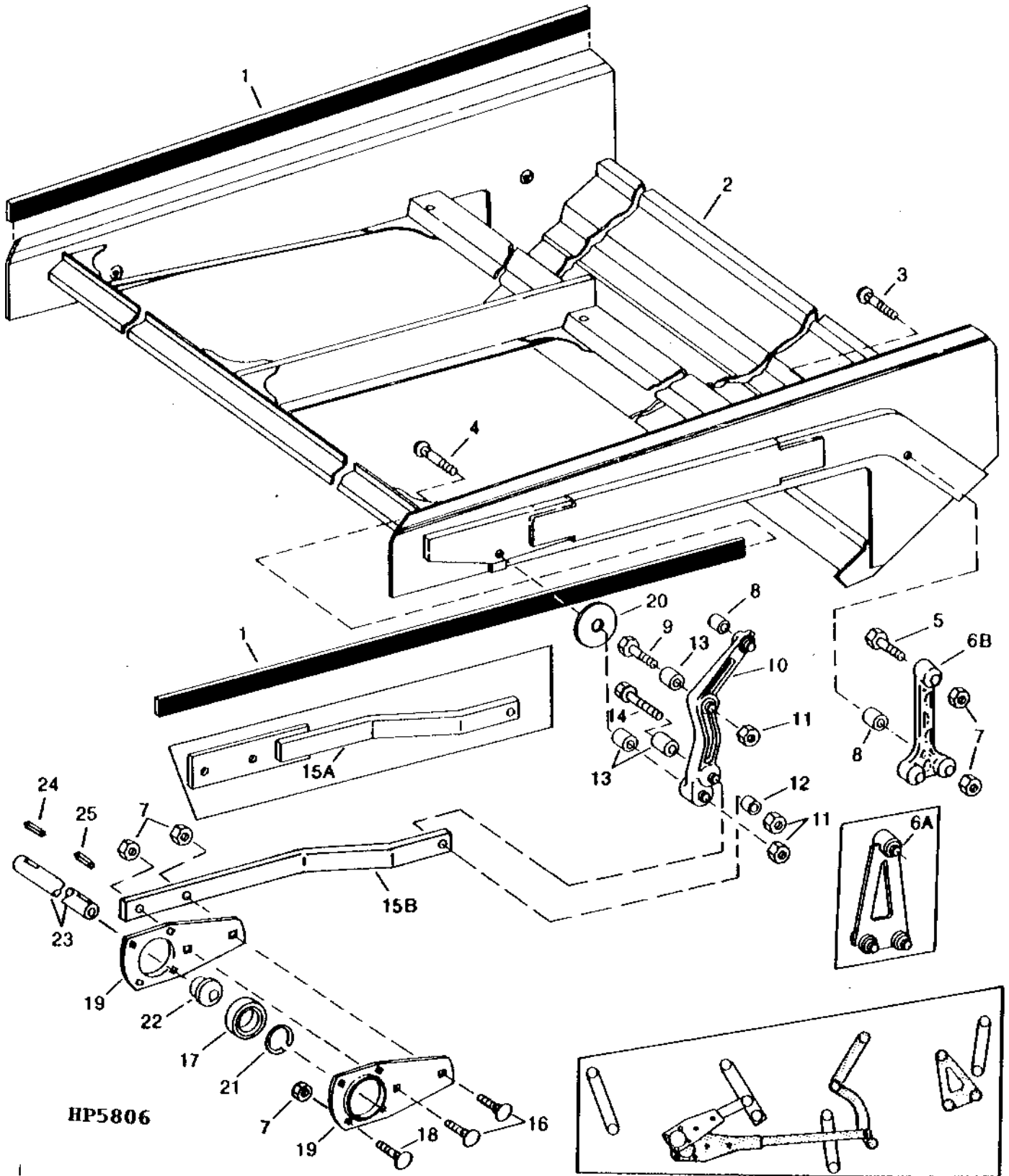
CHAFFER EXTENSION ELEMENT - CONTINUED

| KEY | PART NO. | PART NAME | QTY | SERIAL NO. | REMARKS |
|-----|----------|--------------|-----|------------|--|
| 1 | AH127468 | LOUVER | 24 | | SEMI-DEEP TOOTH LOUVER |
| 2 | H132293 | LEAF SPRING | 2 | | |
| 3 | H132290 | STRIP | 2 | | |
| 4 | AH130189 | STRIP | 2 | | |
| 5 | H110178 | SCREW | 2 | | M10 X 30 |
| 6 | H126933 | WASHER | 2 | | |
| 7 | AH122080 | LINK | 2 | | |
| 8 | H126934 | WASHER | 4 | | 9.910 X 19.050 X 1.020 MM (0.390" X 3/4" X 0.040") |
| 9 | H126932 | NUT | 2 | | |
| 10 | AH127434 | CHAFFER | 1 | | SEMI-DEEP TOOTH LOUVER |
| | AH130995 | CHAFFER | 1 | | FIXED LOUVER |
| 11 | H132160 | FINGER | 2 | | |
| 12 | 19M7866 | SCREW | 4 | | M8 X 20 |
| 13 | 14M7396 | LOCK NUT | 4 | | M8 |
| 14 | AH131213 | HANDLE | 1 | -652178 | (SUB H149997) |
| | H149997 | GRIP | 1 | | |
| 15 | 19M7785 | SCREW | 6 | | M10 X 25 |
| 16 | 24H1308 | WASHER | 6 | | 13/32" X 1" X 0.134" |
| 17 | AH80335 | WEATHERSTRIP | 3 | | |

7E17

THRESHING AND SEPARATION

CHAFFER FRAME
HP5806 -UN-01JAN94



7E18

THRESHING AND SEPARATION

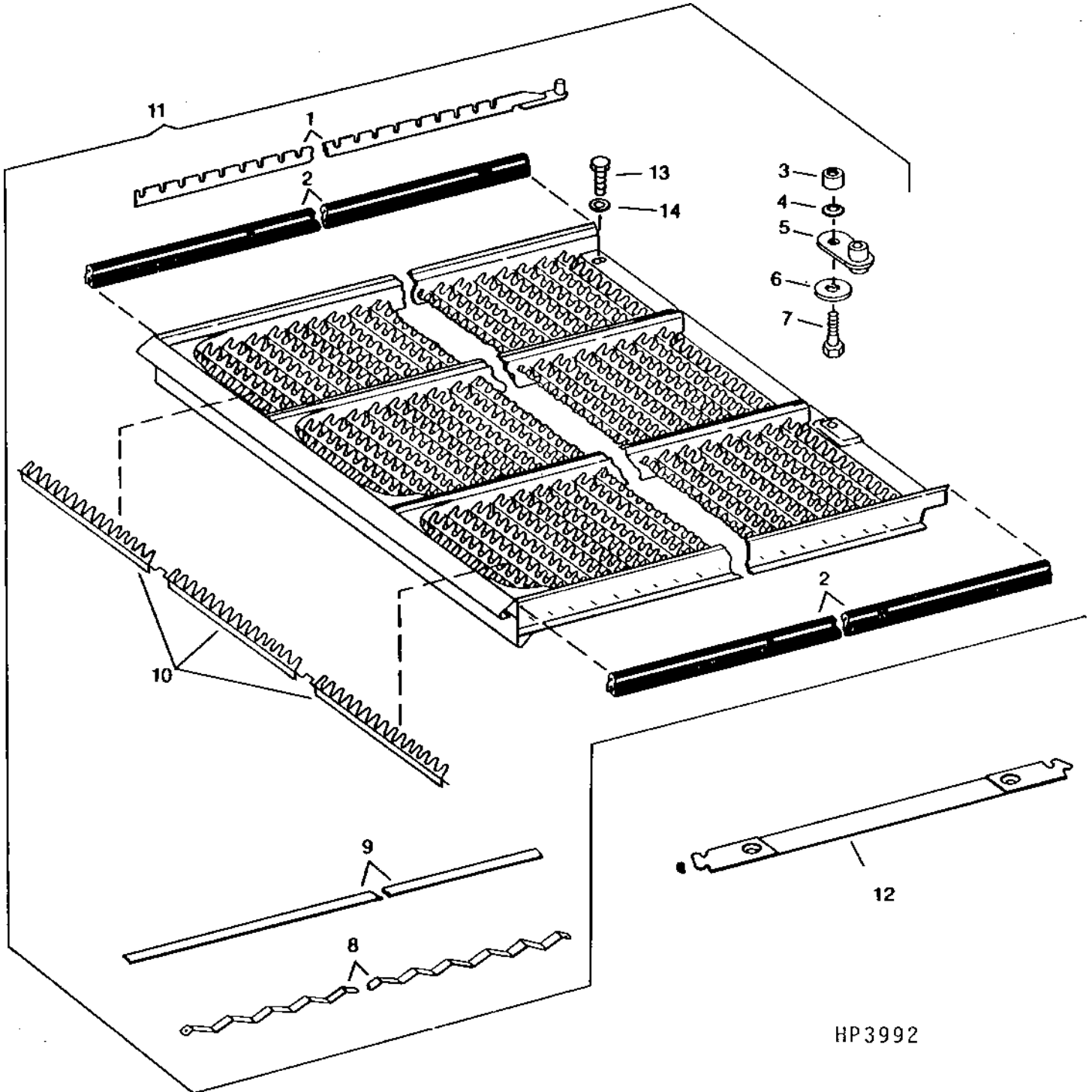
CHAFFER FRAME - CONTINUED

| KEY | PART NO. | PART NAME | QTY | SERIAL NO. | REMARKS |
|-----|----------|-------------------------|-----|---------------|---|
| 1 | H175540 | SEAL | 2 | | (SUB FOR H131319) |
| 2 | AH128463 | FRAME | 1 | | |
| 3 | 19M7943 | CAP SCREW | 2 | | M12 X 90 |
| 4 | 19M7732 | CAP SCREW | 2 | | M16 X 130 |
| 5 | 03M7248 | BOLT | 2 | | M12 X 90 |
| 6A | AH125971 | LINK | 2 | -646856 | (SUB AH138232) |
| 6B | AH138232 | LINK | 2 | | |
| 7 | 14M7299 | FLANGE NUT | AR | | M12 |
| 8 | AH125200 | BUSHING | 10 | | |
| 9 | 03M7240 | BOLT | 2 | | M16 X 130 |
| 10 | AH125969 | ARM | 1 | | L.H. SIDE |
| | AH125970 | ARM | 1 | | R.H. SIDE |
| 11 | 14M7291 | FLANGE NUT | AR | | M16 |
| 12 | H96690 | SPACER | 2 | | 16.662 X 31.750 X 28.956 MM (21/32" X 1-1/4" X 1.140") |
| 13 | AH125201 | RUBBER MOUNT | 2 | | |
| 14 | 19M8486 | CAP SCREW | 2 | | M16 X 180 |
| 15A | AH125976 | PITMAN | 2 | -650300 | (SUB H147457) |
| 15B | H147457 | BAR | 2 | 650301-651985 | (SUB H150034) |
| | H150034 | BAR | 2 | | |
| 16 | 03M7198 | BOLT | AR | -650300 | M12 X 30 |
| | 03M7200 | BOLT | AR | 650301- | M12 X 40 |
| 17 | AH125975 | BALL BEARING | 2 | | |
| 18 | 03M7197 | BOLT | AR | -641464 | M12 X 25 |
| | 03M7198 | BOLT | AR | 641465- | M12 X 30 |
| 19 | H134118 | PRESSED FLANGED HOUSING | 4 | | |
| 20 | H137188 | SEAL | 2 | | |
| 21 | R43383 | SNAP RING | 2 | | |
| 22 | H133600 | CAM | 1 | | L H |
| | H133601 | CAM | 1 | | R H |
| 23 | H133597 | SHAFT | 1 | | |
| 24 | | SHAFT KEY | 1 | | 6 X 50 MM (IN AH141142 KEY STOCK KIT) (CUT FROM H150268) |
| 25 | | SHAFT KEY | 1 | | 6 X 100 MM (IN AH141142 KEY STOCK KIT) (CUT FROM H150268) |

7E19

THRESHING AND SEPARATION

SIEVE ELEMENT
HP3992 -UN-01JAN94



HP3992

7E20

THRESHING AND SEPARATION

SIEVE ELEMENT - CONTINUED

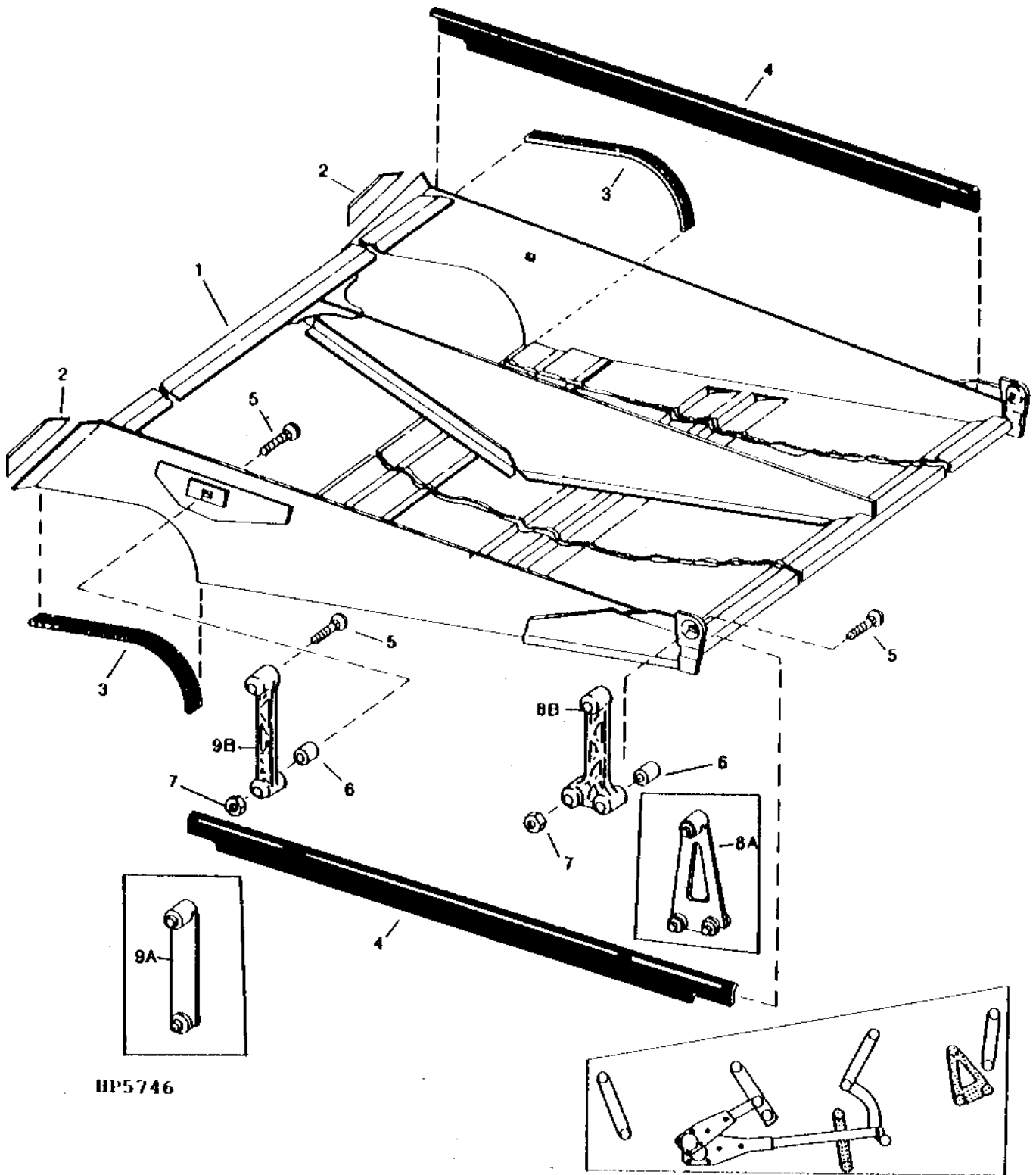
| KEY | PART NO. | PART NAME | QTY | SERIAL NO. | REMARKS |
|-----|----------|-------------|-----|------------|--|
| 1 | AH130167 | STRIP | 1 | | |
| 2 | AH127477 | ISOLATOR | 2 | -641588 | (SUB AH140044) |
| | AH140044 | ISOLATOR | 2 | | |
| 3 | H126932 | NUT | 1 | | |
| 4 | H126934 | WASHER | 2 | | 9.910 X 19.050 X 1.020 MM (0.390" X 3/4" X 0.040") |
| 5 | AH122080 | LINK | 1 | | |
| 6 | H126933 | WASHER | 1 | | |
| 7 | H110178 | SCREW | 1 | | M10 X 30 |
| 8 | H132292 | LEAF SPRING | 2 | | |
| 9 | H132289 | STRIP | 2 | | |
| 10 | AH130165 | LOUVER | 40 | | |
| 11 | AH130159 | SIEVE | 2 | | ADJUSTABLE |
| | AH131216 | SIEVE | 2 | | FIXED, 3 MM (1/8") ROUND HOLES |
| | AH131218 | SIEVE | 2 | | FIXED, 10 MM (3/8") ROUND HOLES |
| 12 | AH131213 | HANDLE | 1 | -652178 | (SUB H149997) |
| | H149997 | GRIP | 1 | | |
| 13 | 19M7785 | SCREW | 3 | | M10 X 25 |
| 14 | 24H1308 | WASHER | 3 | | 13/32" X 1" X 0.134" |

QUANTITIES LISTED ARE FOR ONE UNIT. TWO UNITS USED PER MACHINE.

7E21

THRESHING AND SEPARATION

SIEVE FRAME
HP5746 -UN-01JAN94



HP5746

7E22

THRESHING AND SEPARATION

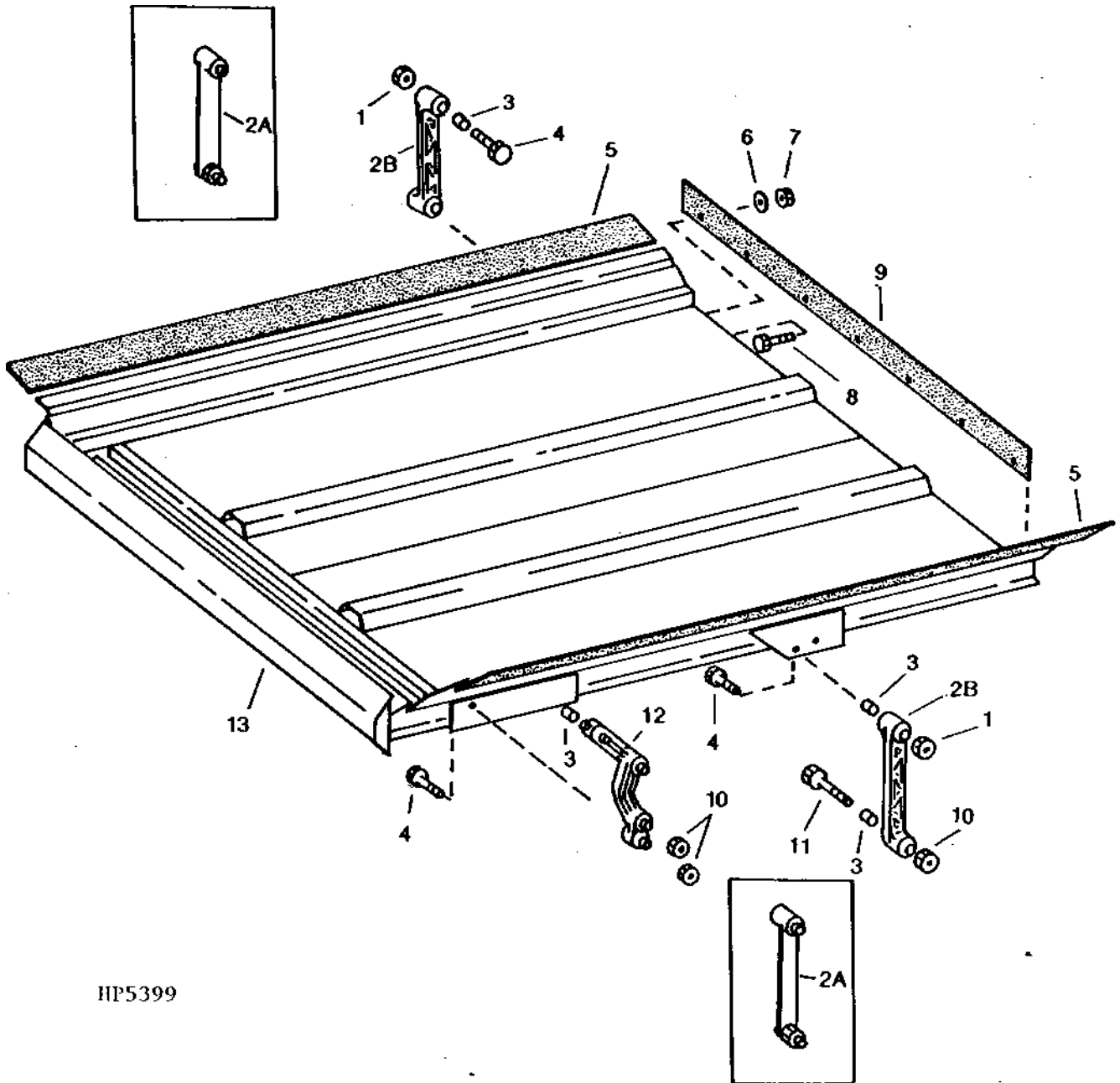
SIEVE FRAME - CONTINUED

| KEY | PART NO. | PART NAME | QTY | SERIAL NO. | REMARKS |
|-----|----------|------------|-----|------------|---|
| 1 | AH128460 | FRAME | 1 | -9SEP96 | |
| | AH149702 | FRAME | 1 | 9SEP96- | |
| 2 | H133288 | SEAL | 2 | | |
| 3 | | SEAL | 2 | | 420 MM (16-1/2 ") CUT FROM AH133091 (50 FT. ROLL) |
| 4 | H133287 | SEAL | 2 | | |
| 5 | 03M7248 | BOLT | 6 | | M12 X 90 |
| 6 | AH125200 | BUSHING | 10 | -645512 | |
| 7 | 14M7299 | FLANGE NUT | 6 | | M12 |
| 8A | AH125971 | LINK | 2 | -645512 | (SUB AH138232) |
| 8B | AH138232 | LINK | 2 | | |
| 9A | AH125966 | ARM | 2 | -645512 | (SUB AH138230) |
| 9B | AH138230 | LINK | 2 | | |

7E23

THRESHING AND SEPARATION

SHAKER PAN
HP5399 -UN-01JAN94



HP5399

7E24

THRESHING AND SEPARATION

SHAKER PAN - CONTINUED

| KEY | PART NO. | PART NAME | QTY | SERIAL NO. | REMARKS |
|-----|----------|------------|-----|------------|--------------------------|
| 1 | 14M7275 | NUT | 5 | | M12 |
| 2A | AH125966 | ARM | 2 | -646856 | (SUB AH138230) |
| 2B | AH138230 | LINK | 2 | | |
| 3 | AH125200 | BUSHING | 7 | -646683 | PART NO LONGER AVAILABLE |
| 4 | 19M7821 | SCREW | 2 | | M12 X 120 |
| 5 | H175590 | SEAL | 2 | | (SUB FOR H133768) |
| 6 | 24H1299 | WASHER | 8 | | 3/8" X 1-1/4" X 0.065" |
| 7 | 14M7298 | FLANGE NUT | 8 | | M8 |
| 8 | 03M7184 | BOLT | 8 | | M8 X 20 |
| 9 | H133788 | SEAL | 1 | | |
| 10 | 14M7275 | NUT | 4 | | M12 |
| 11 | 19M7819 | SCREW | 2 | | M12 X 90 |
| 12 | AH125970 | ARM | 1 | | R.H. |
| | AH125969 | ARM | 1 | | L.H. |
| 13 | AH128908 | GRAIN PAN | 1 | | |

7F2

THRESHING AND SEPARATION

STRAW WALKERS - CONTINUED

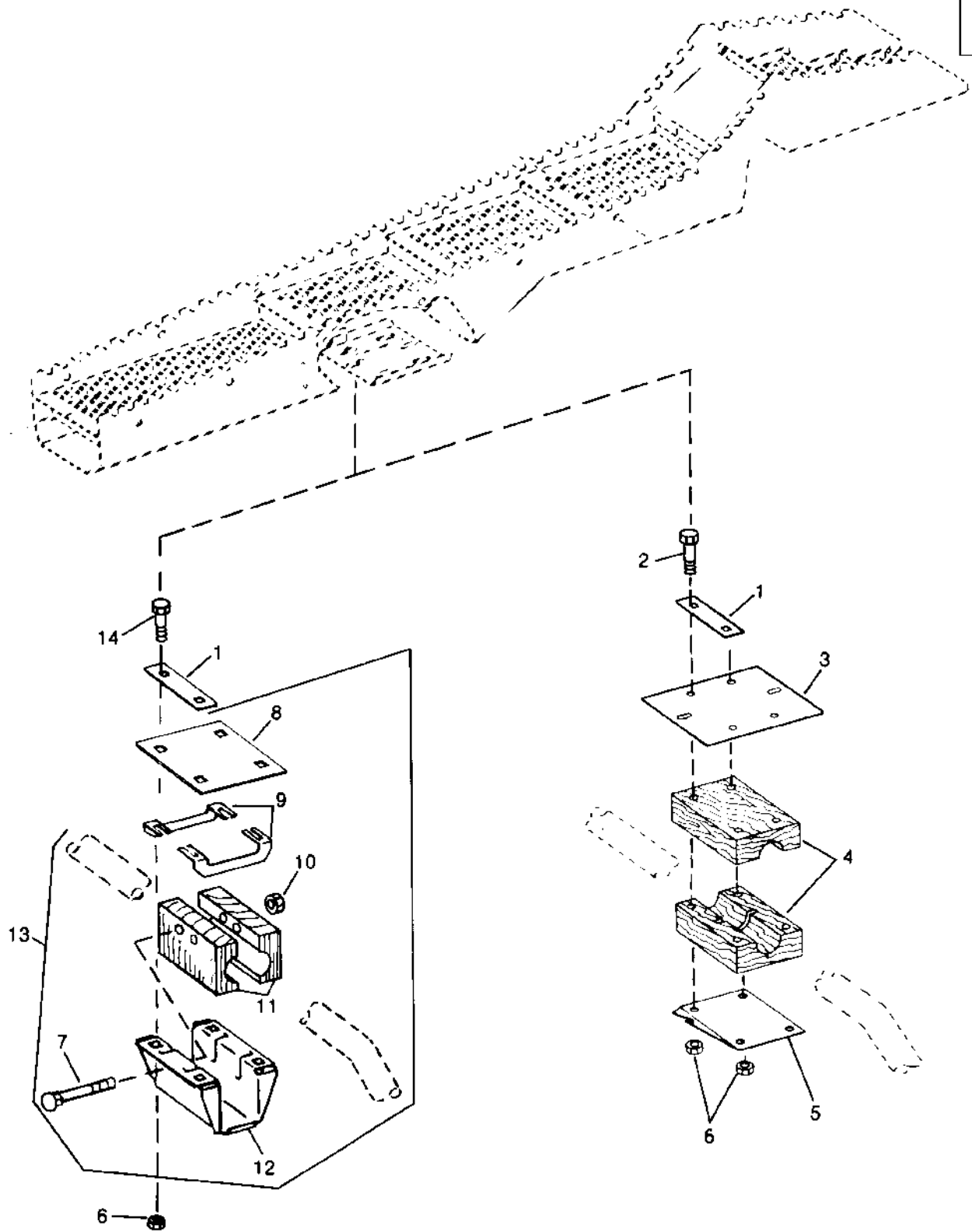
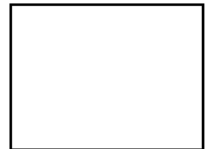
| KEY | PART NO. | PART NAME | QTY | SERIAL NO. | REMARKS |
|-----|----------|---------------|-----|------------|--|
| 1 | H85233 | RIVET | 2 | | |
| 2 | H135225 | STRIP | AR | -640769 | (SUB H135923) BETWEEN WALKERS ONLY |
| | H135923 | STRIP | AR | | BETWEEN WALKERS ONLY |
| 3 | H131516 | RISER | 1 | | ONE PER WALKER EXCEPT R.H. OUTSIDE WALKER |
| 4 | 14M7303 | FLANGE NUT | 3 | | M6 |
| 5 | 24H1292 | WASHER | AR | | 8.738 X 19.050 X 3.048 MM |
| 6 | AH128530 | STRAW WALKER | 5 | -636083 | (SUB AH135380) LIP TYPE |
| | AH135380 | STRAW WALKER | 5 | 636084- | (ILLUSTRATED) LIP TYPE |
| | AH140434 | STRAW WALKER | 5 | 642301- | RECTANGULAR GRID |
| 7 | H141883 | RISER | 1 | | CENTER (RICE) (DOMESTIC) (ILLUSTRATED) LIP TYPE |
| | H141883 | RISER | 1 | 636452- | CENTER, EXPORT (FRANCE) LIP TYPE |
| | H146639 | RISER | AR | | CENTER, RECTANGULAR GRID |
| 8 | 19M7865 | SCREW | 1 | | M8 X 16, TO ATTACH RISER |
| 9 | 03M7251 | BOLT | 3 | | M6 X 12 |
| 10 | 03M7184 | BOLT | 2 | | M8 X 20 |
| 11 | AH126589 | SEAL | 1 | | (SUB AH162250) OUTSIDE WALKERS ONLY |
| | AH162250 | SEAL | 1 | | |
| 12 | H87268 | BRACKET | 2 | | LOSS MONITOR |
| 13 | 14M7298 | FLANGE NUT | AR | | M8 |
| 14 | H140414 | DEFLECTOR | 1 | 631223- | USE WITH CORN CHOPPER TO DEFLECT COBS |
| 15 | 14M7396 | LOCK NUT | 2 | | M8 |
| 16 | H131531 | NUT | 2 | -652206 | 8 MM, RETAINS M8 BOLTS BEFORE INSTALLING EXTENSION PAN |
| | M84309 | NUT | 2 | | TO RETAIN M8 BOLTS |
| 17 | H128082 | WASHER | 2 | -638004 | |
| | H143615 | REINFORCEMENT | 1 | 638005- | |
| 18 | H140218 | FLAP | 5 | | FOR SUNFLOWERS |
| 19 | 24M7055 | WASHER | AR | | 8.400 X 16 X 1.600 MM |
| 20 | 03M7184 | BOLT | AR | | M8 X 20, WITH EXTENSION PAN |
| 21 | 03M7221 | BOLT | AR | | M6 X 16 |
| 22 | H131661 | PAN | 1 | | |

7F3

STRAW WALKER BEARINGS

(-650300)

HP6592 -UN-13DEC96



HP6592

7F4

THRESHING AND SEPARATION

STRAW WALKER BEARINGS - CONTINUED (-650300)

| KEY | PART NO. | PART NAME | QTY | SERIAL NO. | REMARKS |
|-----|----------|-----------|-----|------------|--------------------------------------|
| 1 | H139667 | STRAP | 20 | | |
| 2 | 03M7333 | BOLT | 4 | -636083 | M10 X 110 |
| 3 | H140019 | RETAINER | 2 | -636083 | (SUB AH136572) ON REAR BEARINGS ONLY |
| 4 | H140070 | BEARING | 20 | -636083 | (SUB AH136572) |
| 5 | H140074 | PLATE | 2 | -636083 | (SUB AH136572) |
| 6 | 14M7400 | LOCK NUT | AR | | M10, TWO PER BOLT |
| 7 | 03M7267 | BOLT | 4 | 636084- | M8 X 80 |
| 8 | H140678 | PLATE | 1 | 636084- | FRONT MOUNTING PAD ONLY |
| 9 | H141314 | RETAINER | 2 | 636084- | |
| 10 | 14M7396 | LOCK NUT | 4 | 636084- | M8 |
| 11 | H140677 | BEARING | 2 | 636084- | |
| 12 | H141313 | COVER | 1 | 636084- | |
| 13 | AH136572 | BEARING | 10 | 636084- | |
| 14 | 03M7193 | BOLT | 4 | 636084- | M10 X 35, FRONT BEARINGS |
| | 03M7192 | BOLT | 4 | 636084- | M10 X 30, REAR BEARINGS |

7F5

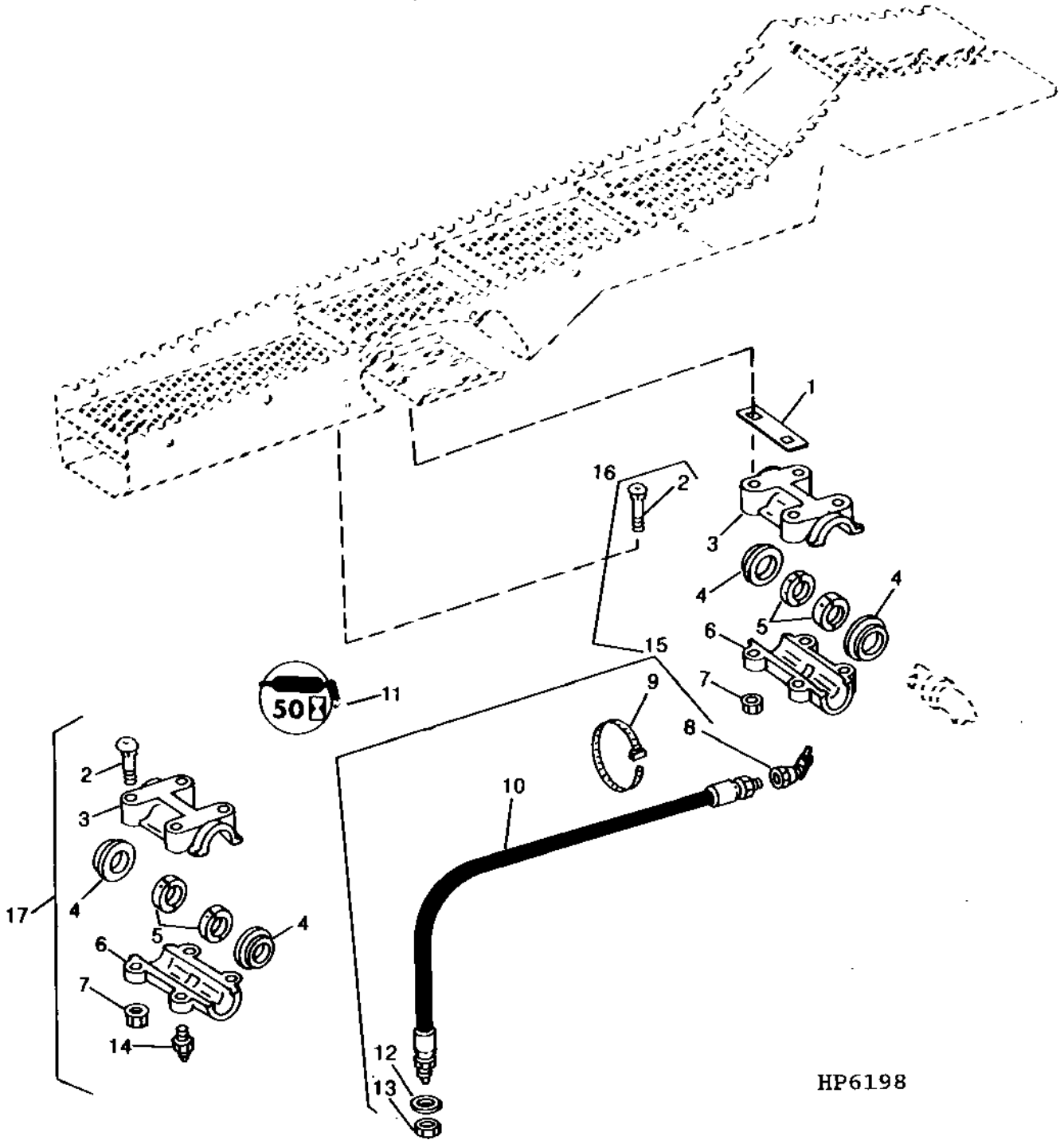
THRESHING AND SEPARATION

STRAW WALKER BEARING KIT

(650301-665300)

HP6198

-UN-25SEP95



7F6

THRESHING AND SEPARATION

STRAW WALKER BEARING KIT - CONTINUED (650301-665300)

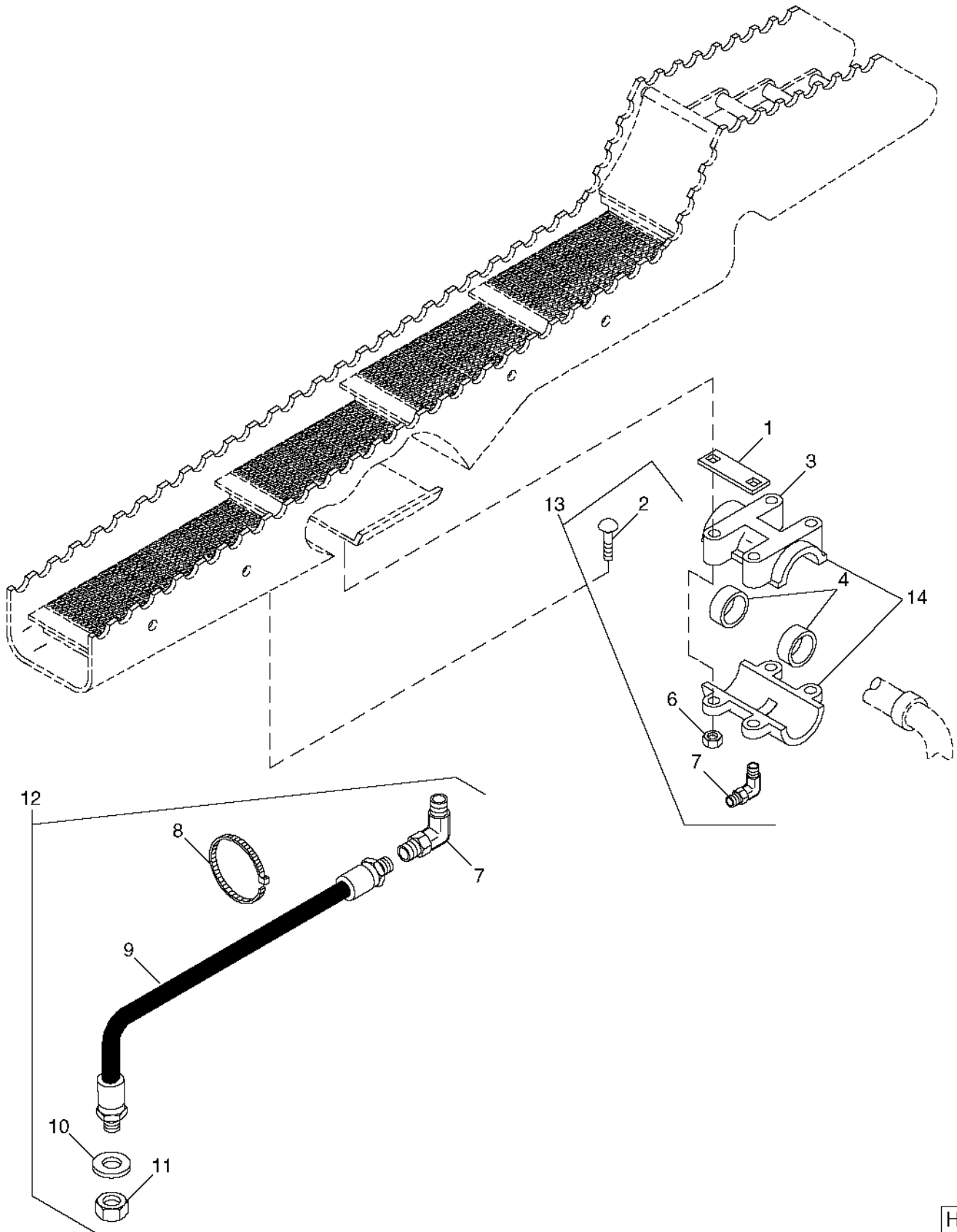
| KEY | PART NO. | PART NAME | QTY | SERIAL NO. | REMARKS |
|-----|----------|---------------------|-----|---------------|---|
| 1 | H139667 | STRAP | 2 | | |
| 2 | 03M7359 | BOLT | 4 | | M10 X 85 |
| 3 | H150717 | BEARING | 1 | 660301- | (SUB FOR H147747) UPPER |
| 4 | H151597 | SEAL | 2 | 660301- | RUBBER |
| 5 | AH141393 | LOCKING COLLAR | 2 | | CRANKSHAFT (8 PER CRANK) |
| 6 | H150716 | BEARING | 1 | 660301- | (SUB FOR H147748) LOWER |
| 7 | 14M7465 | LOCK NUT | 4 | | M10 |
| 8 | AH145706 | FITTING | 1 | 660301- | 45 DEGREE SWIVEL, (SUB FOR AH144815) |
| 9 | R44302 | TIE BAND | 10 | | 171 MM (6-3/4") |
| 10 | AH144816 | HOSE | 1 | | LUBRICATION (FRONT BEARING) |
| 11 | H152602 | DECAL | 1 | 660301- | (SUB FOR H109845) 50 HOUR LUBRICATION |
| 12 | 24H1307 | WASHER | 1 | | 10.312 X 25.400 X 1.600 MM |
| 13 | E12379 | NUT | 1 | | 3.175 MM 3.175 MM (1/8") |
| 14 | JD7759 | LUBRICATION FITTING | 1 | | STRAIGHT, REAR BEARING ONLY |
| 15 | AH145262 | KIT | 1 | 650301-660300 | (SUB AH145935) LUBE HOSE (FRONT BEARING USE ON COMBINES WITH OLD CRANKSHAFT PRIOR TO 1993 (NO LONGER AVAILABLE) |
| | AH145935 | KIT | 1 | | LUBE HOSE (FRONT BEARING) (ILLUSTRATED) |
| 16 | AH145263 | KIT | 1 | 650301-660300 | (SUB AH145687) FRONT BEARING AND HOSE, USE ON COMBINES WITH OLD CRANKSHAFT PRIOR TO 1993 |
| | AH145687 | KIT | 1 | | FRONT BEARING AND HOSE (ILLUSTRATED) |
| 17 | AH141819 | BEARING | 1 | 650301-660300 | (SUB AH145686) REAR KIT, USE ON COMBINES WITH OLD CRANKSHAFT PRIOR TO 1993 |
| | AH145686 | BEARING | 1 | | REAR KIT (ILLUSTRATED) |

7F7

THRESHING AND SEPARATION

STRAW WALKER BEARING KIT

(665301-)
HP9645 -UN-27MAR00



HP9645

7F8

THRESHING AND SEPARATION

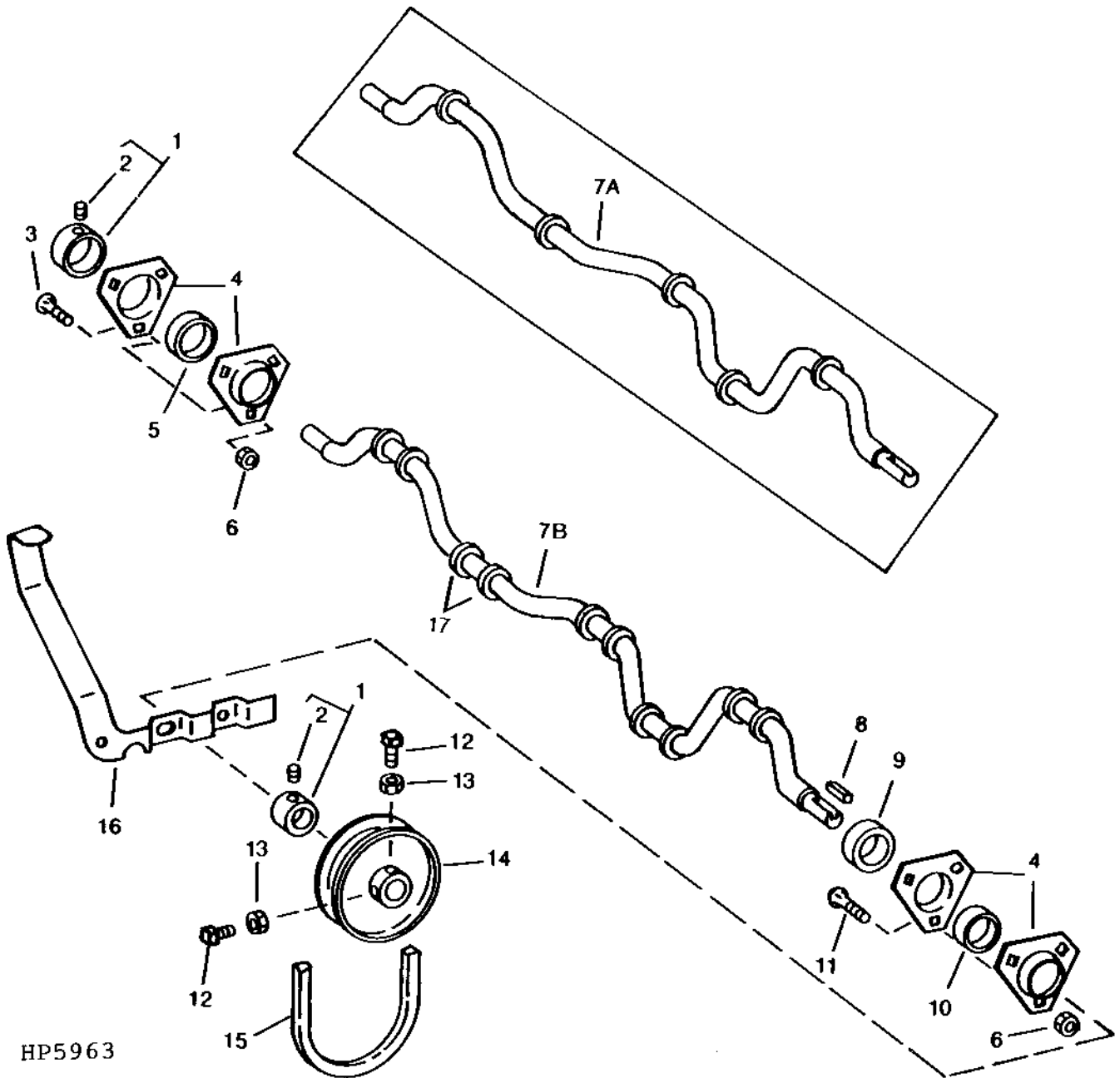
STRAW WALKER BEARING KIT - CONTINUED (665301-)

| KEY | PART NO. | PART NAME | QTY | SERIAL NO. | REMARKS |
|-----|----------|---------------------|-----|------------|---|
| 1 | H139667 | STRAP | 2 | | |
| 2 | 03M7359 | BOLT | 4 | | M10 X 85 |
| 3 | H152464 | BEARING | 1 | | (SUB AH168158) (USE WITH H152465) UPPER |
| 4 | H154216 | SEAL | 2 | | |
| 5 | H152465 | BEARING | 1 | -666446 | (SUB AH168158) (USE WITH H152464) LOWER |
| 6 | 14M7400 | LOCK NUT | 4 | | M10 |
| 7 | AH145706 | FITTING | 1 | -666446 | 45 DEGREE SWIVEL (ILLUSTRATED) (FOR FRONT BEARING ONLY) |
| | JD7759 | LUBRICATION FITTING | 1 | -666446 | STRAIGHT (FOR REAR BEARING ONLY) |
| | AN71222 | ADAPTER | 1 | 666447- | STRAIGHT |
| 8 | R44302 | TIE BAND | 10 | | 171 MM (6-3/4") |
| 9 | AH144816 | HOSE | 1 | | LUBRICATION (FRONT BEARING) |
| 10 | 24H1307 | WASHER | 1 | | 10.312 X 25.400 X 1.600 MM |
| 11 | E12379 | NUT | 1 | | 3.175 MM 3.175 MM (1/8") |
| 12 | AH145935 | KIT | 1 | -670988 | LUBE HOSE (FRONT BEARING ILLUSTRATED) |
| 13 | AH147743 | KIT | 1 | -666172 | |
| 14 | AH168158 | BEARING | 1 | | |

7F9

THRESHING AND SEPARATION

STRAW WALKER CRANKS, STRAW SPREADER DRIVE AND SHIELD
HP5963 -UN-27APR95



HP5963

7F10

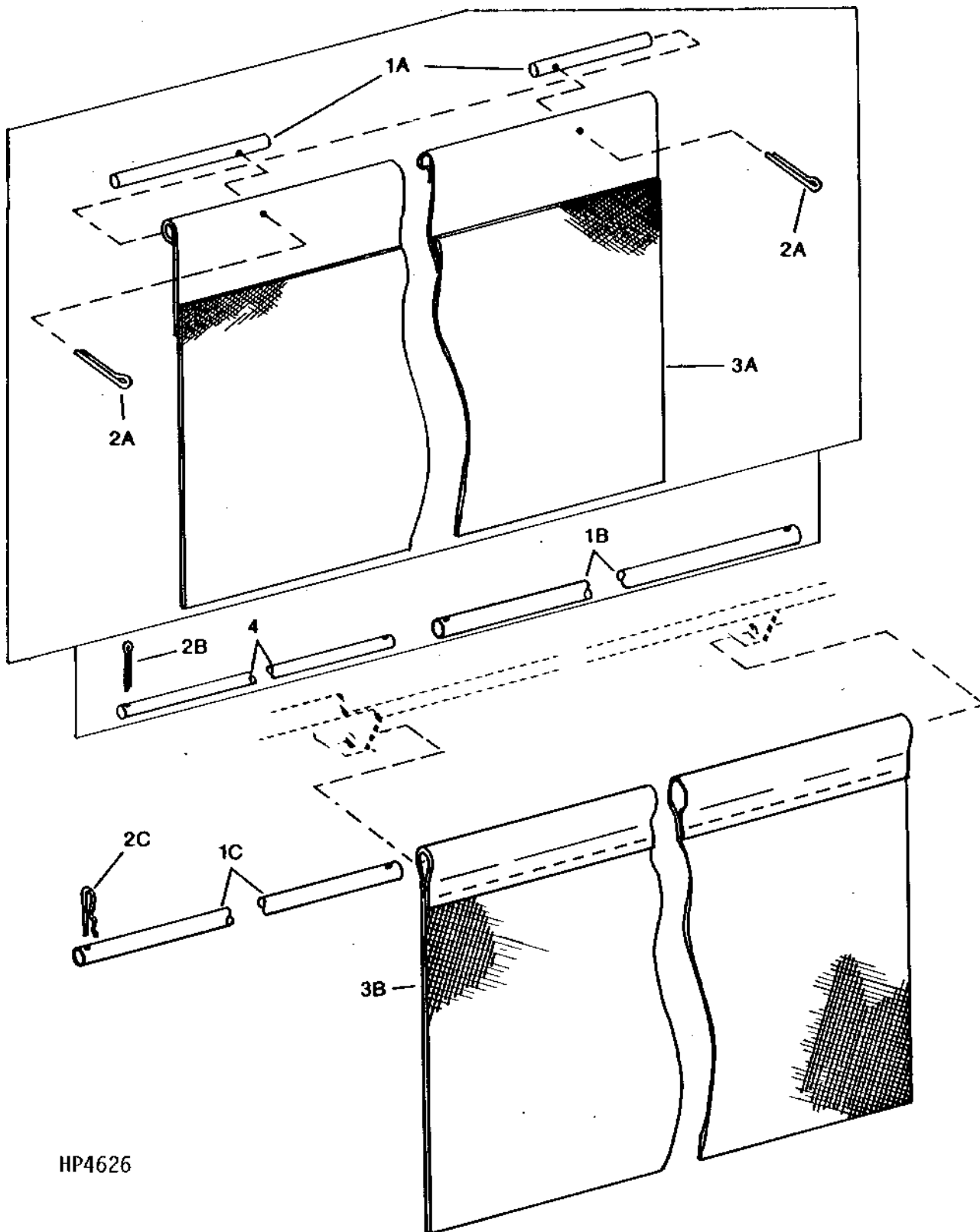
THRESHING AND SEPARATION

STRAW WALKER CRANKS, STRAW SPREADER DRIVE AND SHIELD - CONTINUED

| KEY | PART NO. | PART NAME | QTY | SERIAL NO. | REMARKS |
|-----|----------|--------------------------|-----|------------|--|
| 1 | AH133191 | ECCENTRIC LOCKING COLLAR | 3 | | L.H. ON FRONT CRANK AND BOTH ON REAR CRANK |
| 2 | 22M7081 | SET SCREW | 3 | | M10 X 10 |
| 3 | 03M7191 | BOLT | 12 | | M10 X 25 |
| 4 | H103265 | PRESSED FLANGED HOUSING | 8 | | |
| 5 | AZ19427 | BALL BEARING | 1 | | FRONT L.H. ONLY |
| | JD39104 | BALL BEARING | 1 | | R.H. REAR |
| 6 | 14M7296 | FLANGE NUT | 6 | | M10 |
| 7A | AH131349 | SHAFT | 1 | -635300 | (SUB AH136525) REAR CRANK ONLY |
| | AH136525 | SHAFT | 1 | -635861 | (SUB AH136413) REAR CRANK ONLY |
| | AH136413 | SHAFT | 1 | -650300 | (SUB AH139917) REAR CRANK ONLY - SHOT PEENED; (ALSO REQUIRES (5) AH145686 OR (5) H150717, (5) H150716, (5) JD7759, (20) 03M7359 AND (20) 14M7465) |
| | AH131347 | SHAFT | 1 | -650300 | (SUB AH139915) FRONT CRANK ONLY; (ALSO REQUIRES (5) AH145687 OR (5) AH145935 OR (5) H150717, (5) H150716, (20) 03M7359 AND (20) 14M7465) |
| 7B | AH139917 | SHAFT | 1 | -660300 | (SUB AH145602) REAR CRANK ONLY |
| | AH145602 | SHAFT | 1 | | REAR CRANK ONLY (HEAT TREATED) |
| | AH139915 | SHAFT | 1 | -660300 | (SUB AH145601) FRONT CRANK ONLY |
| | AH145601 | SHAFT | 1 | -668410 | FRONT CRANK ONLY (HEAT TREATED) |
| | AH151331 | CRANKSHAFT | 1 | 668411- | (SUB AH151331, H155973 AND N134803) FRONT CRANK ONLY (HEAT TREATED) |
| 8 | H138344 | SHAFT KEY | 1 | | |
| 9 | H135519 | SPACER | 1 | | FRONT R.H. ONLY |
| 10 | AH132823 | BALL BEARING | 1 | | FRONT R.H. ONLY |
| | JD39104 | BALL BEARING | 1 | | L.H. REAR |
| 11 | 03M7190 | BOLT | 1 | | M10 X 20 |
| 12 | H138435 | SET SCREW | 2 | | |
| 13 | 14M7274 | NUT | 2 | | M10 |
| 14 | AH114359 | SHEAVE | 1 | | STRAW SPREADER DRIVE (L.H. REAR)(I D 1.370) |
| 15 | H128234 | BELT | 1 | | STRAW SPREADER DRIVE |
| 16 | H140020 | GUIDE | 1 | | |
| 17 | AH141393 | LOCKING COLLAR | 10 | | |

7F11

SEPARATOR CURTAIN
(RASP BAR CYLINDER)
HP4626 -UN-01JAN94



HP4626

7F12

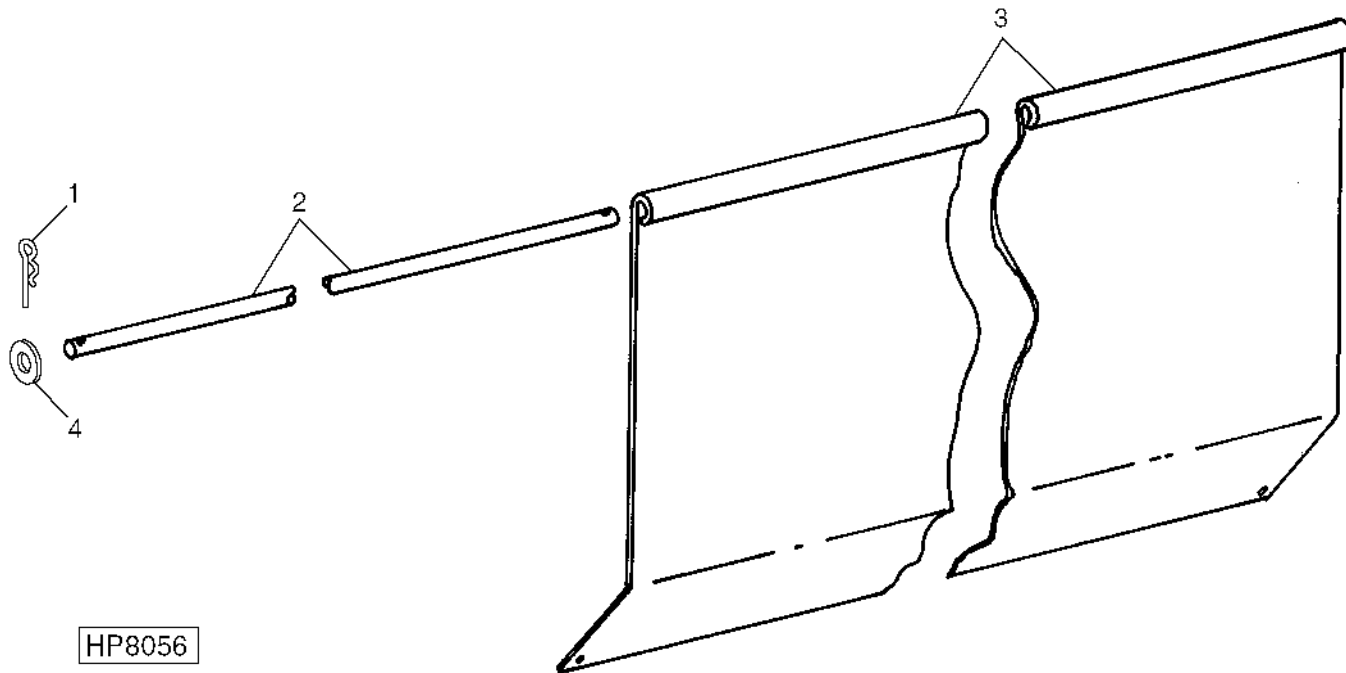
THRESHING AND SEPARATION

SEPARATOR CURTAIN - CONTINUED
(RASP BAR CYLINDER)

| KEY | PART NO. | PART NAME | QTY | SERIAL NO. | REMARKS |
|-----|----------|--------------------|-----|---------------|--|
| 1A | H131865 | PIN | 2 | -640681 | 12 X 211 MM (0.472" X 8.307") (SUB H145879) |
| 1B | H145879 | PIPE | 1 | -640681 | |
| 1C | H144824 | PIPE | 1 | 640682-667211 | (USE WITH H144822) |
| | H157281 | PIPE | 1 | 667212- | (USE WITH H144822) |
| 2A | 11M7059 | COTTER PIN | 2 | -640681 | 3.200 X 20 MM |
| 2B | 11H211 | COTTER PIN | 2 | 640682-650300 | 1/8" X 3/4" |
| 2C | A15147 | SPRING LOCKING PIN | 2 | 640682- | |
| 3A | AH125390 | LIMIT CURTAIN | 1 | -640681 | (SUB H144822, H145879, H100211 AND (2) 11M1383) |
| 3B | H144822 | LIMIT CURTAIN | 1 | 640682- | FOR CORN/GRAIN COMBINES |
| 4 | H100211 | PIN | 2 | -640681 | 9.525 X 1 702.308 MM (3/8" X 67.020") |

7F13

**SEPARATOR CURTAIN
(SPIKE-TOOTH CYLINDER)**
HP8056 -UN-30NOV98



| KEY | PART NO. | PART NAME | QTY | SERIAL NO. | REMARKS |
|-----|----------|--------------------|-----|----------------------|--------------------------------|
| 1 | A15147 | SPRING LOCKING PIN | 2 | | |
| 2 | H100211 | PIN | 1 | 9.525 X 1 702.308 MM | |
| 3 | H145515 | DEFLECTOR | 1 | | STEEL; FOR RICE/GRAIN COMBINES |
| 4 | T20217 | WASHER | 2 | | |

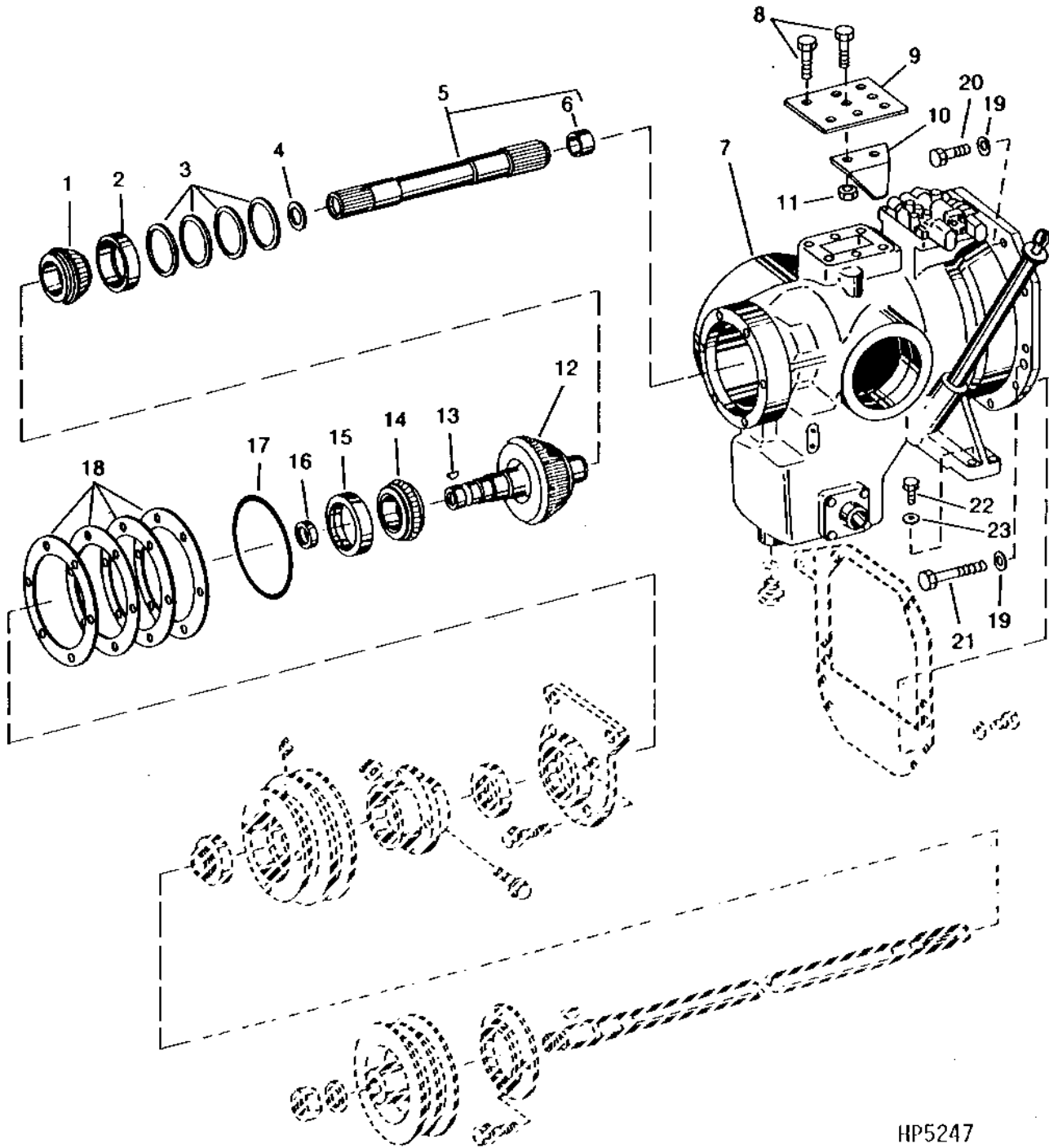
MEMORANDA

8B20

DRIVES

ENGINE GEARCASE (STRAW CHOPPER, UNLOADING AND SEPARATOR DRIVE GEAR)

HP5247 -UN-01JAN94



HP5247

8B21

DRIVES

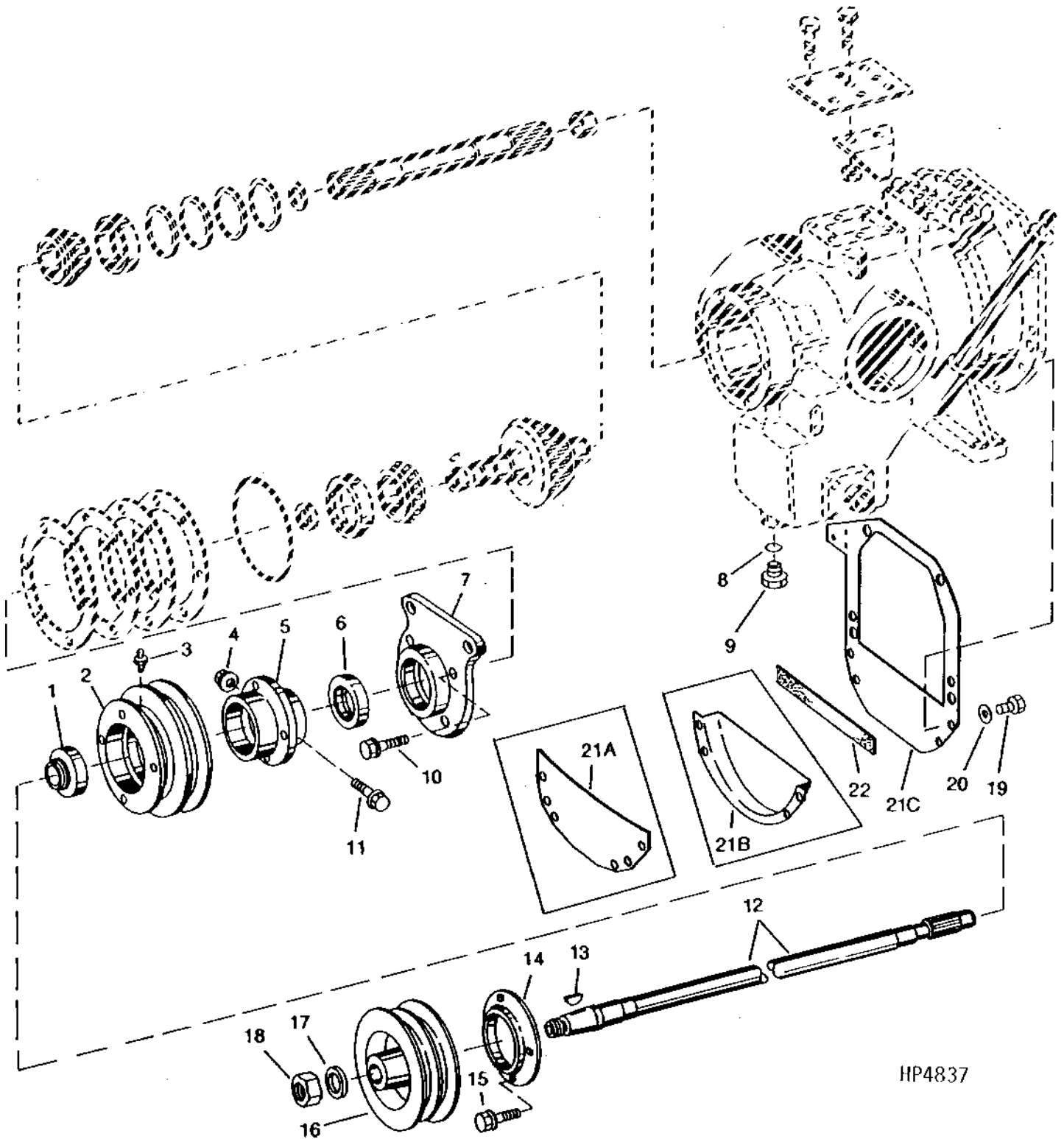
**ENGINE GEARCASE - CONTINUED
(STRAW CHOPPER, UNLOADING AND SEPARATOR DRIVE GEAR)**

| KEY | PART NO. | PART NAME | QTY | SERIAL NO. | REMARKS |
|-----|----------|---------------------|-----|-------------|--|
| 1 | JD9091 | BEARING CONE | 1 | | |
| 2 | JD9146 | BEARING CUP | 1 | | |
| 3 | L29041 | SHIM | AR | 0.08 (MM) | .003 STEEL |
| | L29042 | SHIM | AR | 0.13 (MM) | .005 STEEL |
| | L29043 | SHIM | AR | 0.25 (MM) | .010 STEEL |
| | L29044 | SHIM | AR | 0.05 (MM) | .020 STEEL |
| 4 | P46770 | SNAP RING | 1 | | |
| 5 | AH120978 | SHAFT | 1 | -641588 | (SUB AH139118) |
| | AH139118 | SHAFT | 1 | | |
| 6 | R43305 | BUSHING | 1 | | |
| 7 | H126587 | GEAR CASE | 1 | | |
| 8 | 19M7866 | SCREW | 8 | | M8 X 20 |
| 9 | H127159 | COVER | 1 | | USE TY15130 |
| 10 | H130140 | TROUGH | 1 | | |
| 11 | 14M7396 | LOCK NUT | 2 | | M8 |
| 12 | | BEVEL GEAR DRIVE | 1 | | 37 TEETH- SERVICE WITH AH125207 (USED WITH 6076 ENGINE) |
| 13 | 26H105 | SHAFT KEY | 1 | | 3/8" X 2-1/8" |
| 14 | JD8162 | BEARING CONE | 1 | | |
| 15 | JD8206 | BEARING CUP | 1 | | |
| 16 | AT28975 | SEAL | 1 | | |
| 17 | H125838 | O-RING | 1 | | 177.165 X 5.334 MM (6.975" X 0.210") |
| 18 | H125740 | SHIM | AR | 0.08 (MM) | .003 PLASTIC |
| | H125741 | SHIM | AR | 0.13 (MM) | .005 STEEL |
| | H125742 | SHIM | AR | 0.25 (MM) | .010 STEEL |
| | H125743 | SHIM | AR | 0.50 (MM) | .020 STEEL |
| 19 | 24M7242 | WASHER | 4 | | 21.400 X 42 X 5 MM |
| 20 | 19H1782 | CAP SCREW | 2 | | 3/4" X 2-1/4" |
| 21 | 19H2000 | CAP SCREW | 2 | | 3/4" X 5" |
| 22 | 19M8162 | CAP SCREW | 4 | | M10 X 40 |
| 23 | 14M7296 | FLANGE NUT | 4 | | M10 |
| .. | TY15130 | SEALANT | 1 | | SIZE- 3 OZ. RTV (CANADA PART NO TY9484) |
| .. | AH125207 | BEVEL GEAR | 1 | | 37 AND 56 TEETH |
| .. | AH139321 | GEAR CASE | 1 | | (SUB FOR AH134861) (USED WITH RING AND PINION FINAL DRIVE) LESS DIPSTICK |
| .. | AH134860 | GEAR CASE | 1 | -645300 | (USED WITH PLANETARY FINAL DRIVE) LESS DIPSTICK |
| .. | AH139320 | GEAR CASE | 1 | 645301- | (USED WITH PLANETARY FINAL DRIVE) LESS DIPSTICK |
| .. | AH138002 | ASSEMBLY LINE PARTS | 1 | -645300 | EXPORT ONLY-FRANCE |
| .. | AH139102 | GEAR CASE | 1 | 645301- | (EXPORT ONLY - FRANCE) |

8B22

DRIVES

ENGINE GEARCASE
(STRAW CHOPPER, UNLOADING AND SEPARATOR DRIVE GEAR)
HP4837 -UN-01JAN94



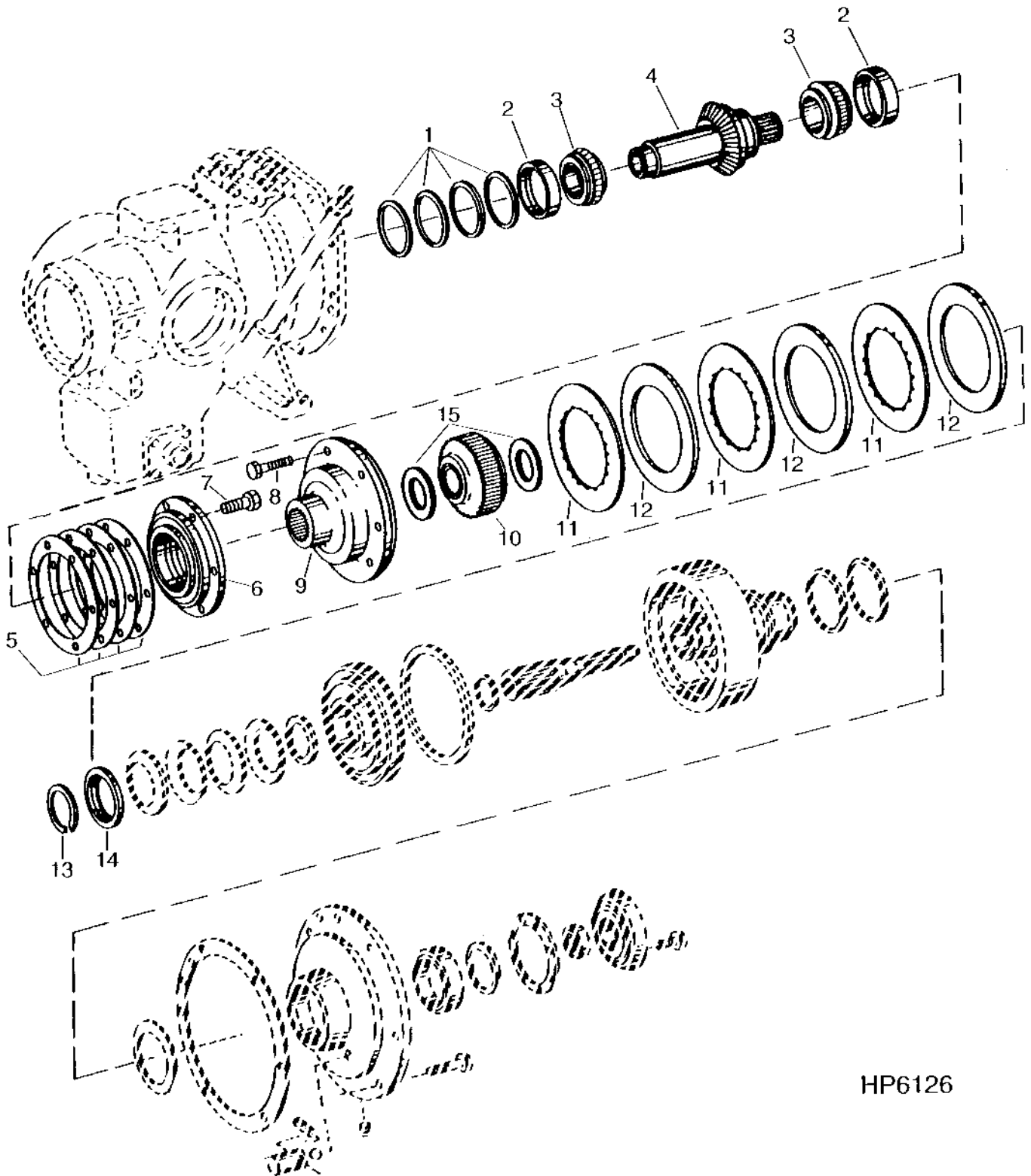
ENGINE GEARCASE - CONTINUED
(STRAW CHOPPER, UNLOADING AND SEPARATOR DRIVE GEAR)

| KEY | PART NO. | PART NAME | QTY | SERIAL NO. | REMARKS |
|-----|----------|-------------------------|-----|---------------|--|
| 1 | AH108813 | BALL BEARING | 1 | -671208 | (SUB AH151653) |
| | AH151653 | BALL BEARING | 1 | 671209- | |
| 2 | H132390 | SHEAVE | 1 | -638005 | (SUB H143430) |
| | H143430 | SHEAVE | 1 | 638005- | |
| | H139986 | SHEAVE | 1 | | EXPORT ONLY - FRANCE |
| 3 | JD7797 | LUBRICATION FITTING | 1 | | |
| 4 | 14M7296 | FLANGE NUT | 2 | | M10 |
| 5 | H101878 | HUB | 1 | | |
| 6 | AH117643 | SEAL | 1 | | |
| 7 | H125739 | HOUSING | 1 | -646522 | (SUB H144834) |
| | H144834 | HOUSING | 1 | | |
| 8 | R26906 | O-RING | 1 | | 19.177 X 2.464 MM (0.755" X 0.097") |
| 9 | R27474 | DRAIN PLUG | 1 | | |
| 10 | 19M7835 | SCREW | 6 | | M10 X 35 |
| 11 | 19M7812 | SCREW | 2 | | M10 X 100 |
| 12 | H129934 | SHAFT | 1 | | |
| 13 | 26M6787 | SHAFT KEY | 1 | | 10 X 32 MM |
| 14 | H75385 | PRESSED FLANGED HOUSING | 1 | | |
| 15 | 19M8306 | SCREW | 4 | | M12 X 50 |
| 16 | H129935 | SHEAVE | 1 | | |
| 17 | 24H1481 | WASHER | 1 | | 1-5/32" X 2" X 0.134" |
| 18 | H82619 | LOCK NUT | 1 | | 28.575 MM (1-1/8") |
| 19 | 19M7866 | SCREW | 1 | | M8 X 20 |
| 20 | 24M7055 | WASHER | 4 | | 8.400 X 16 X 1.600 MM (0.331" X 0.630" X 0.063") |
| 21A | H134387 | COVER | 1 | -632446 | (SUB H145315) |
| 21B | H141769 | COVER | 1 | 632447-641071 | (SUB H145315) |
| 21C | H145315 | PLATE | 1 | | (SUB H170303) |
| | H170303 | COVER | 1 | | |
| 22 | H88771 | ISOLATOR | 1 | | |
| .. | TY15130 | SEALANT | 1 | | SIZE- 3 OZ. RTV (CANADA PART NO TY9484) |
| .. | AH125207 | BEVEL GEAR | 1 | | 37 AND 56 TEETH |
| .. | AH139321 | GEAR CASE | 1 | | (SUB FOR AH134861) (USED WITH RING AND PINION FINAL DRIVE) LESS DIPSTICK |
| .. | AH139320 | GEAR CASE | 1 | | (SUB FOR AH134860) (USED WITH PLANETARY FINAL DRIVE) LESS DIPSTICK |
| .. | AH139102 | GEAR CASE | 1 | | (SUB FOR AH138002) (EXPORT ONLY - FRANCE) |

8B24

DRIVES

ENGINE GEARCASE
(SEPARATOR DRIVE, WET-CLUTCH AND PUMP DRIVE SHAFT)
HP6126 -UN-25AUG95



HP6126

8B25

DRIVES

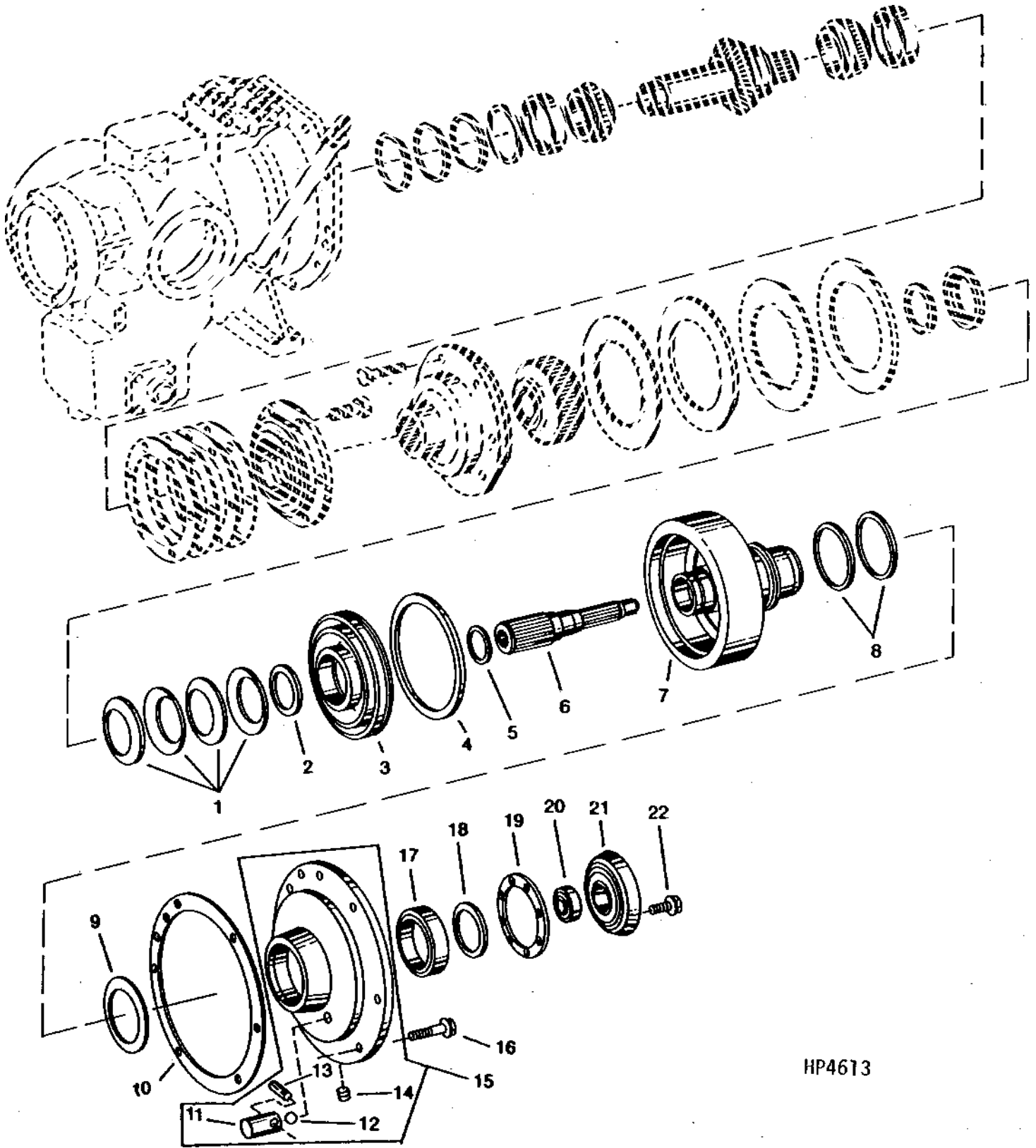
ENGINE GEARCASE - CONTINUED
(SEPARATOR DRIVE, WET-CLUTCH AND PUMP DRIVE SHAFT)

| KEY | PART NO. | PART NAME | QTY | SERIAL NO. | REMARKS |
|-----|----------|--------------|-----|---------------|---|
| 1 | H119028 | SHIM | AR | | 0.08 (MM) .003 PLASTIC |
| | H119029 | SHIM | AR | | 0.13 (MM) .005 STEEL |
| | H119030 | SHIM | AR | | 0.25 (MM) .010 STEEL |
| | H119031 | SHIM | AR | | 0.50 (MM) .020 STEEL |
| 2 | JD8206 | BEARING CUP | 2 | | |
| 3 | JD8162 | BEARING CONE | 2 | | |
| 4 | | GEAR | 1 | | 33 TEETH- SERVICE IN AH125293 (USED WITH 6076 ENGINE W/ RING & PINION FINAL DRIVES) |
| | | GEAR | 1 | | 35 TEETH- SERVICE IN AH125295 (USED W/6076 ENGINE W/ PLANETARY FINAL DRIVES) |
| 5 | H125740 | SHIM | AR | | 0.08 (MM) .003 PLASTIC |
| | H125741 | SHIM | AR | | 0.13 (MM) .005 STEEL |
| | H125742 | SHIM | AR | | 0.25 (MM) .010 STEEL |
| | H125743 | SHIM | AR | | 0.50 (MM) .020 STEEL |
| 6 | H125733 | HOUSING | 1 | | |
| 7 | 19M7835 | SCREW | 6 | | M10 X 35 |
| 8 | 19M7786 | SCREW | 6 | | M10 X 30 |
| 9 | H125357 | HUB | 1 | -645300 | USED WITH 2 CLUTCH DISK |
| | H144762 | HUB | 1 | 645301- | USED WITH 3 CLUTCH DISK |
| 10 | AH120738 | HUB | 1 | -645300 | (SUB AH138660) |
| | AH138660 | HUB | 1 | | |
| 11 | AH125490 | CLUTCH DISK | 2 | -645300 | FOR ALL COMBINES |
| | AH125490 | CLUTCH DISK | 2 | 645301-662757 | FOR GRAIN COMBINES WITH LOW HORSE POWER |
| | AH125490 | CLUTCH DISK | 3 | 645301- | FOR CORN AND RICE COMBINES OR HIGH HORSE POWER GRAIN COMBINES OR FRANCE COMBINES |
| | AH125490 | CLUTCH DISK | 3 | 662758- | FOR GRAIN COMBINES WITH LOW HORSE POWER |
| 12 | T70309 | PLATE | 2 | -645300 | FOR ALL COMBINES |
| | T70309 | PLATE | 2 | 645301-662757 | FOR GRAIN COMBINES WITH LOW HORSE POWER |
| | T70309 | PLATE | 3 | 645301- | FOR CORN AND RICE COMBINES OR HIGH HORSE POWER GRAIN COMBINES OR FRANCE COMBINES |
| | T70309 | PLATE | 3 | 662758- | FOR GRAIN COMBINES WITH LOW HORSE POWER |
| 13 | T50409 | SNAP RING | 1 | | |
| 14 | T49676 | RETAINER | 1 | | |
| 15 | R76674 | WASHER | 2 | | 71.374 X 85.090 X 1.575 MM (2.810" X 3.350" X 1/16") |

8C1

DRIVES

ENGINE GEARCASE
HP4613 -UN-01JAN94



HP4613

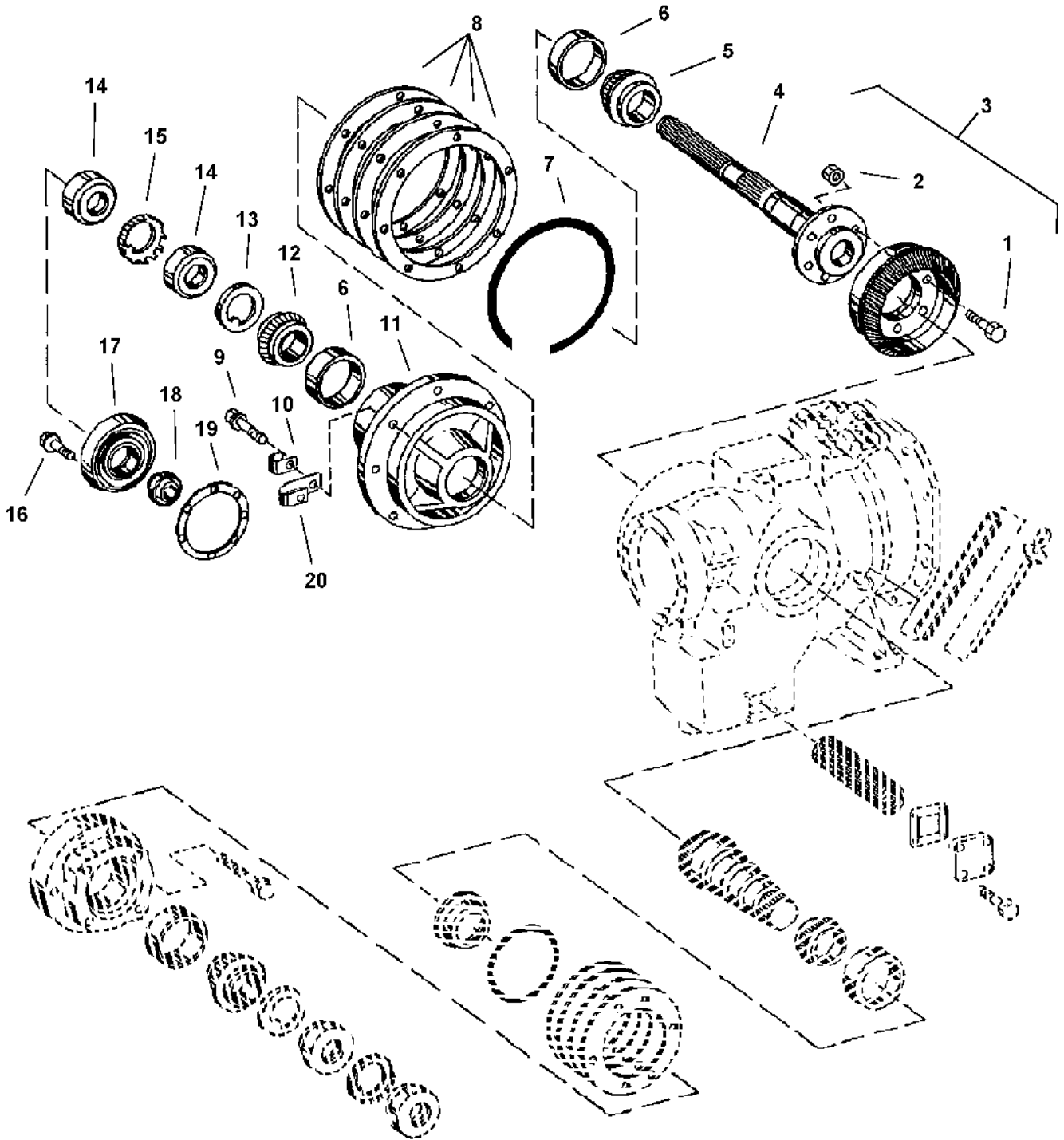
ENGINE GEARCASE - CONTINUED

| KEY | PART NO. | PART NAME | QTY | SERIAL NO. | REMARKS |
|-----|----------|--------------|-----|------------|--|
| 1 | T50415 | DISK SPRING | 4 | | |
| 2 | T62508 | WASHER | 1 | | 78.892 X 90.576 X 1.981 MM (3.106" X 3.566" X 5/64") |
| 3 | H128937 | PISTON | 1 | | |
| 4 | T62509 | WASHER | 1 | | 208.839 X 229.362 X 1.981 MM (8.222" X 9.030" X 5/64") |
| 5 | H132400 | PISTON RING | 1 | | |
| 6 | H125351 | SHAFT | 1 | -646993 | (SUB H148768) |
| | H148768 | SHAFT | 1 | | |
| 7 | H125352 | DRUM | 1 | | (SUB H143426 AND T14323) |
| | H143426 | DRUM | 1 | | GEARBOX S/N CEGB 111861 - AND UP REQS T14323 SNAP RING |
| | H144759 | DRUM | 1 | 642113- | |
| 8 | R77764 | RING | 2 | | |
| 9 | R76937 | WASHER | 1 | | 115 X 143 X 1.570 MM (4.528" X 5.630" X 0.062") |
| 10 | H125354 | GASKET | 1 | | |
| 11 | R68824 | SEAT | 1 | | |
| 12 | 400R | BALL | 1 | | |
| 13 | H111474 | PIN | 1 | | 40.323 X 264.414 MM (1.588" X 10.410") |
| 14 | 15H559 | PIPE PLUG | 1 | | USE TY9374 |
| 15 | AH120737 | HOUSING | 1 | | |
| 16 | 19M7835 | SCREW | 6 | | M10 X 35 |
| 17 | JD8676 | BALL BEARING | 1 | | |
| 18 | A1402R | SNAP RING | 1 | | UP TO GEARBOX S/N - CEGB 100000 TO 111860 |
| | T14323 | SNAP RING | 1 | | GEARBOX S/N CEGB 111861 - AND UP |
| 19 | H125356 | GASKET | 1 | | |
| 20 | AT48334 | SEAL | 1 | -651160 | (SUB AH142870) |
| | AH142870 | SEAL | 1 | | |
| 21 | H125355 | HOUSING | 1 | -646993 | (SUB H148769) |
| | H148769 | HOUSING | 1 | | |
| 22 | 19M7863 | SCREW | 8 | | M6 X 25 |
| .. | TY9374 | SEALANT | 1 | | SIZE- 6 ML |
| .. | AH139321 | GEAR CASE | 1 | | (SUB FOR AH134861) (USED WITH RING AND PINION FINAL DRIVE) LESS DIPSTICK |
| .. | AH139320 | GEAR CASE | 1 | | (SUB FOR AH134860) (USED WITH PLANETARY FINAL DRIVE) LESS DIPSTICK |
| .. | AH139102 | GEAR CASE | 1 | | (SUB FOR AH138002) (EXPORT ONLY - FRANCE) |

8C3

DRIVES

ENGINE GEARCASE
(SEPARATOR AND PUMP DRIVE)
HP7244 -UN-07NOV97



HP7244

8C4

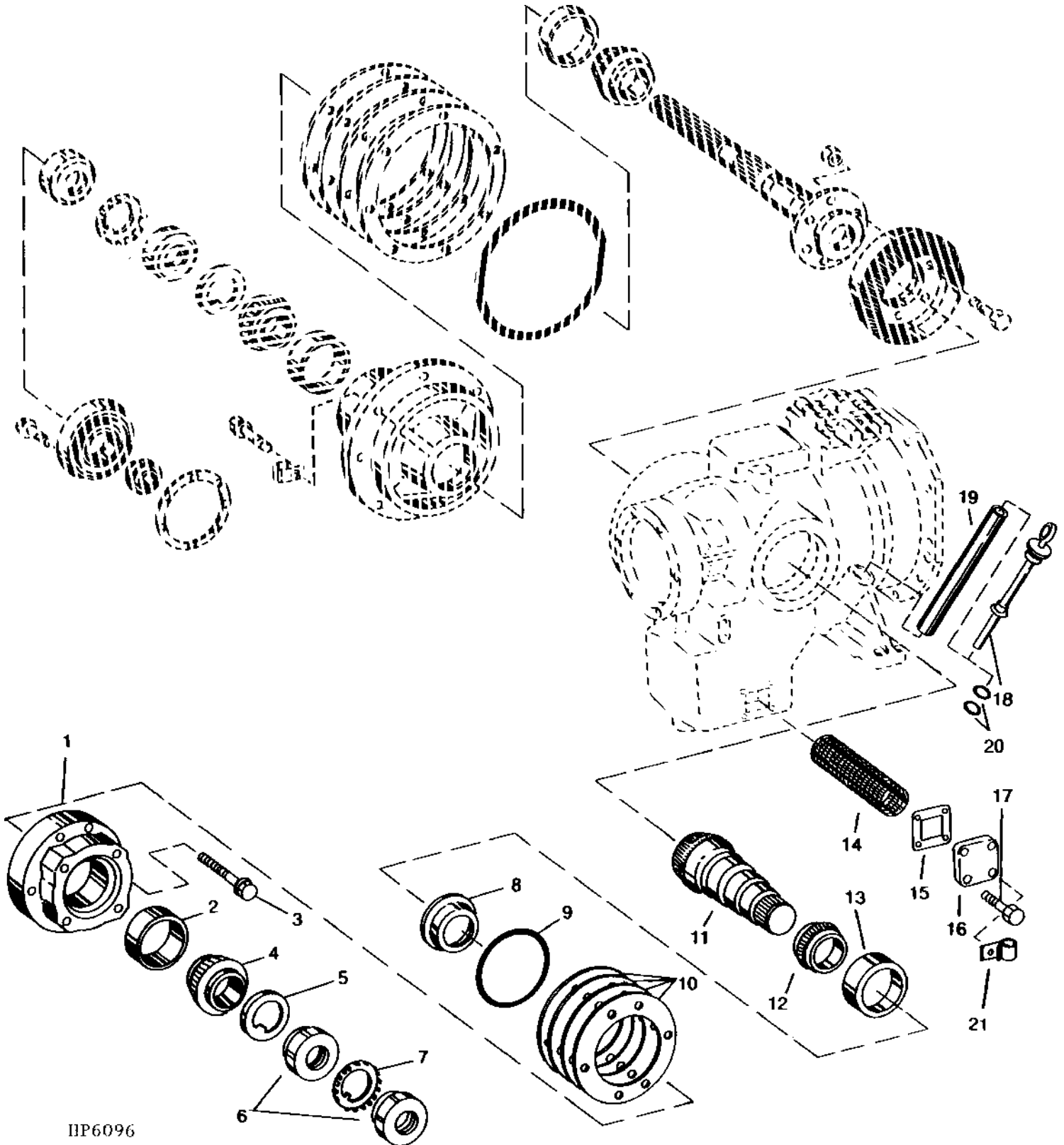
DRIVES

**ENGINE GEARCASE - CONTINUED
(SEPARATOR AND PUMP DRIVE)**

| KEY | PART NO. | PART NAME | QTY | SERIAL NO. | REMARKS |
|-----|----------|--------------|-----|------------|--|
| 1 | H110178 | SCREW | 6 | | M10 X 30 |
| 2 | 14M7274 | NUT | 6 | | M10 |
| 3 | | GEAR | 1 | | (ORDER AH125207) (56 TEETH, USED WITH 6076 ENGINE) |
| 4 | H126069 | HUB | 1 | -650336 | (SUB H148770) |
| | H148770 | HUB | 1 | | |
| 5 | JD8162 | BEARING CONE | 1 | | |
| 6 | JD8206 | BEARING CUP | 2 | | |
| 7 | H125839 | O-RING | 1 | | 241.300 X 5.330 MM (9-1/2" X 0.210") |
| 8 | H125841 | SHIM | AR | | 0.08 (MM) .003 PLASTIC |
| | H125842 | SHIM | AR | | 0.13 (MM) .005 STEEL |
| | H125843 | SHIM | AR | | 0.25 (MM) .010 STEEL |
| | H125844 | SHIM | AR | | 0.50 (MM) .020 STEEL |
| 9 | 19M7835 | SCREW | 7 | | M10 X 35 |
| 10 | AH89486 | CLIP | 1 | -662434 | (SUB AH96317) |
| | AH96317 | CLIP | 1 | -665300 | |
| | AH90990 | CLIP | 1 | 665301- | |
| 11 | H125840 | HOUSING | 1 | | |
| 12 | JD9007 | BEARING CONE | 1 | | |
| 13 | H110800 | LOCK WASHER | 1 | | |
| 14 | H122650 | LOCK NUT | 2 | | 59.919 MM (2-23/64") |
| 15 | H110801 | LOCK WASHER | 1 | | |
| 16 | 19M7863 | SCREW | 8 | | M6 X 25 |
| 17 | H125355 | HOUSING | 1 | | |
| 18 | AT48334 | SEAL | 1 | -651159 | (SUB AH142870) |
| | AH142870 | SEAL | 1 | | |
| 19 | H125356 | GASKET | 1 | | |
| 20 | AH117301 | CLAMP | 1 | 29SEP7- | |

8C5

ENGINE GEARCASE
(SEPARATOR AND PUMP DRIVE)
HP6096 -UN-28JUN95



HP6096

**ENGINE GEARCASE - CONTINUED
(SEPARATOR AND PUMP DRIVE)**

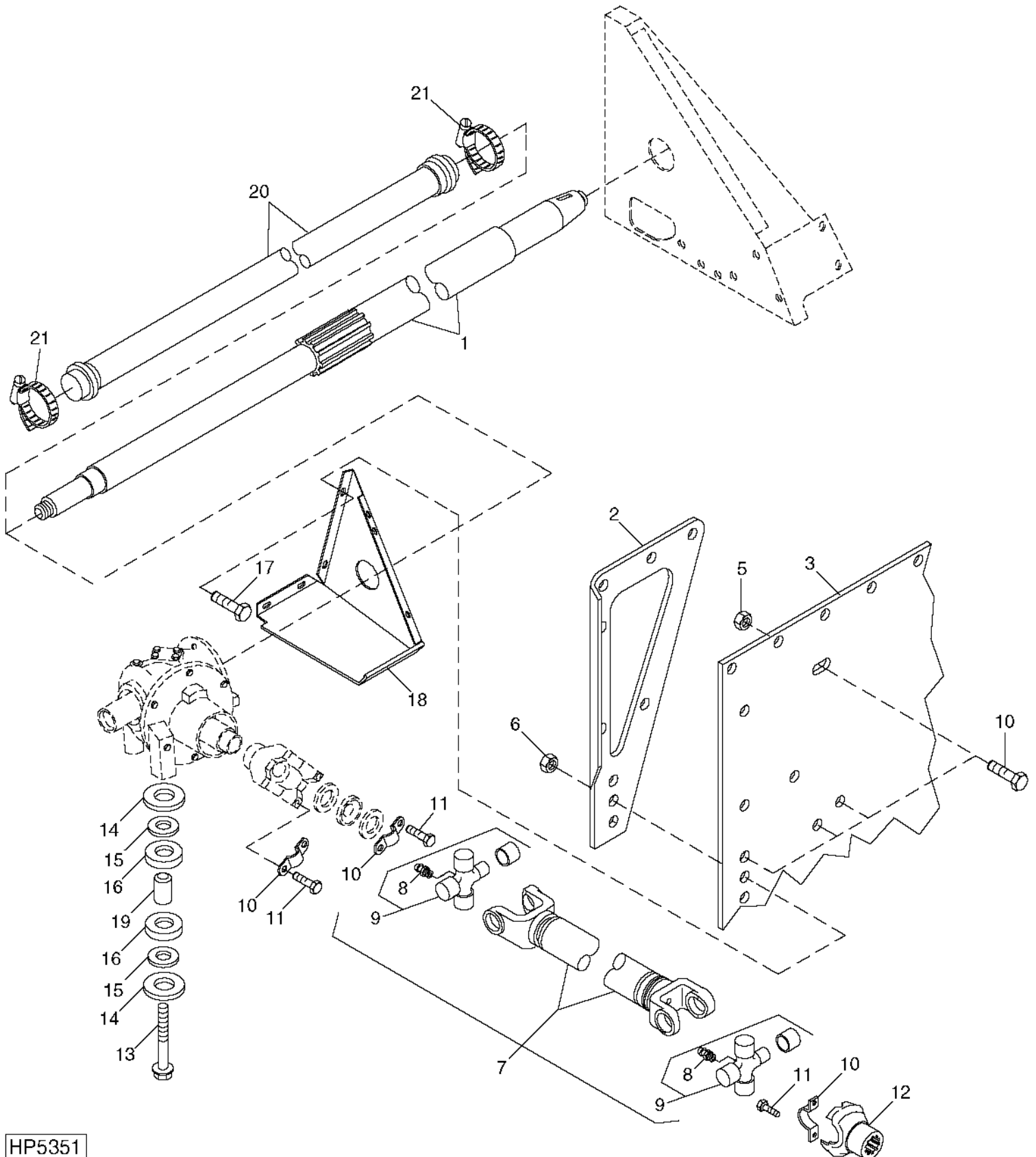
| KEY | PART NO. | PART NAME | QTY | SERIAL NO. | REMARKS |
|-----|----------|--------------|-----|---|---|
| 1 | H125738 | HOUSING | 1 | | |
| 2 | JD8206 | BEARING CUP | 1 | | |
| 3 | 19M7805 | SCREW | 5 | M10 X 45 | |
| 4 | JD9007 | BEARING CONE | 1 | | |
| 5 | H110800 | LOCK WASHER | 1 | 61 X 95.250 X 4.750 MM (2.402" X 3-3/4" X 0.187") | |
| 6 | H122650 | LOCK NUT | 2 | 59.919 MM (2-23/64") | |
| 7 | H110801 | LOCK WASHER | 1 | | |
| 8 | H125837 | OIL CUP | 1 | | |
| 9 | R72032 | O-RING | 1 | 142.240 X 5.334 MM (5.600" X 0.210") | |
| 10 | H125734 | SHIM | AR | 0.08 (MM) .003 PLASTIC | |
| | H125735 | SHIM | AR | 0.13 (MM) .005 STEEL | |
| | H125736 | SHIM | AR | 0.25 (MM) .010 STEEL | |
| | H125737 | SHIM | AR | 0.50 (MM) .020 STEEL | |
| 11 | | GEAR | 1 | | (ORDER AH125293) 22 TEETH, USED WITH 6078 ENGINE & RING & PINION FINAL DRIVES |
| | | GEAR | 1 | | (ORDER AH125293) 22 TEETH, USED WITH 6076 ENGINE & RING & PINION FINAL DRIVES |
| | | GEAR | 1 | | (ORDER AH125293) 26 TEETH, USED WITH 6076 ENGINE & PLANETARY FINAL DRIVES |
| 12 | JD9075 | BEARING CONE | 1 | | |
| 13 | JD9132 | BEARING CUP | 1 | | |
| 14 | R53169 | SCREEN | 1 | | |
| 15 | H126792 | GASKET | 1 | | |
| 16 | H126793 | COVER | 1 | | |
| 17 | 19M7868 | SCREW | 4 | M8 X 30 | |
| 18 | AH137310 | DIPSTICK | 1 | (SUB FOR AH123913) (SUB AH168683) | |
| | AH168683 | DIPSTICK | 1 | | |
| 19 | H132995 | TUBE | 1 | USE TY9371 | |
| 20 | A4730R | O-RING | 2 | | |
| 21 | AH90990 | CLIP | 2 | 665301- | |
| .. | TY9371 | ADHESIVE | 1 | 6 ML HIGH STRENGTH | |
| .. | AH125207 | BEVEL GEAR | 1 | | |
| .. | AH125293 | GEAR | 1 | | |
| .. | AH125295 | GEAR | 1 | | |
| .. | AH139320 | GEAR CASE | 1 | | (SUB FOR AH134860) USED WITH 6076 ENGINE WITH PLANETARY FINAL DRIVE - LESS DIPSTICK |
| .. | AH139321 | GEAR CASE | 1 | | (SUB FOR AH134861) USED WITH 6076 ENGINE WITH RING & PINION FINAL DRIVE-LESS DIPSTICK |

(AH128785 VALVE ASSY. INCLUDED AS PART OF AH139102)
FOR DETAILS SEE SECTION 70

8C7

DRIVES

DRIVE SHAFT, GEARCASE MOUNTING AND PRIMARY COUNTERSHAFT
HP5351 -UN-17AUG99



HP5351

DRIVE SHAFT, GEARCASE MOUNTING AND PRIMARY COUNTERSHAFT - CONTINUED

| KEY | PART NO. | PART NAME | QTY | SERIAL NO. | REMARKS |
|-----|----------|---------------------|-----|---------------|--|
| 1 | AH122240 | JACKSHAFT | 1 | | |
| 2 | H131228 | ANGLE | 1 | | |
| 3 | H130904 | SHEET | 1 | -640300 | |
| | H143384 | SHEET | 1 | 640301-650308 | (SUB H147910) |
| | H147910 | SHEET | 1 | | |
| 4 | 19M7866 | SCREW | 4 | | M8 X 20 |
| 5 | 14M7298 | FLANGE NUT | 4 | | M8 |
| 6 | 14M7296 | FLANGE NUT | 5 | | M10 |
| 7 | AH125690 | DRIVE SHAFT | 1 | | |
| 8 | JD7797 | LUBRICATION FITTING | 2 | | |
| 9 | AH128226 | UNIVERSAL JOINT | 2 | | |
| 10 | R85168 | CLAMP | 4 | | |
| 11 | R85169 | SELF-LOCKING SCREW | 8 | | 9.525 X 19.050 MM (3/8" X 3/4") |
| 12 | H130409 | YOKE | 1 | | |
| 13 | 19M7827 | SCREW | 2 | | M16 X 80 |
| 14 | P50456 | WASHER | 4 | | 16.301 X 76.200 X 4.500 MM (0.642" X 3" X 0.177") |
| 15 | H80197 | BUSHING | 4 | -652284 | (SUB H148132) |
| | H148132 | BUSHING | 4 | | |
| 16 | H78856 | RETAINER | 4 | -651851 | (SUB H148133) |
| | H148133 | RETAINER | 4 | | |
| 17 | 19M7785 | SCREW | 5 | | M10 X 25 |
| 18 | AH126276 | SHEET | 1 | -631800 | (SUB AH135565) |
| | AH135565 | SHEET | 1 | | |
| 19 | H85482 | BUSHING | 2 | -651851 | 16.129 X 19.939 X 41.910 MM (0.635" X 0.785" X 1.650") (SUB H148134) |
| | H148134 | SPACER | 2 | | 16.130 X 19.930 X 41.900 MM (0.635" X 0.785" X 1.650") |
| 20 | AH163803 | KIT | 1 | 640300- | (INCLUDES (2) TY22494) (SUB FOR AH141390) |
| 21 | AR60499 | CLAMP | 2 | -662367 | |
| | TY22494 | HOSE CLAMP | 2 | | |

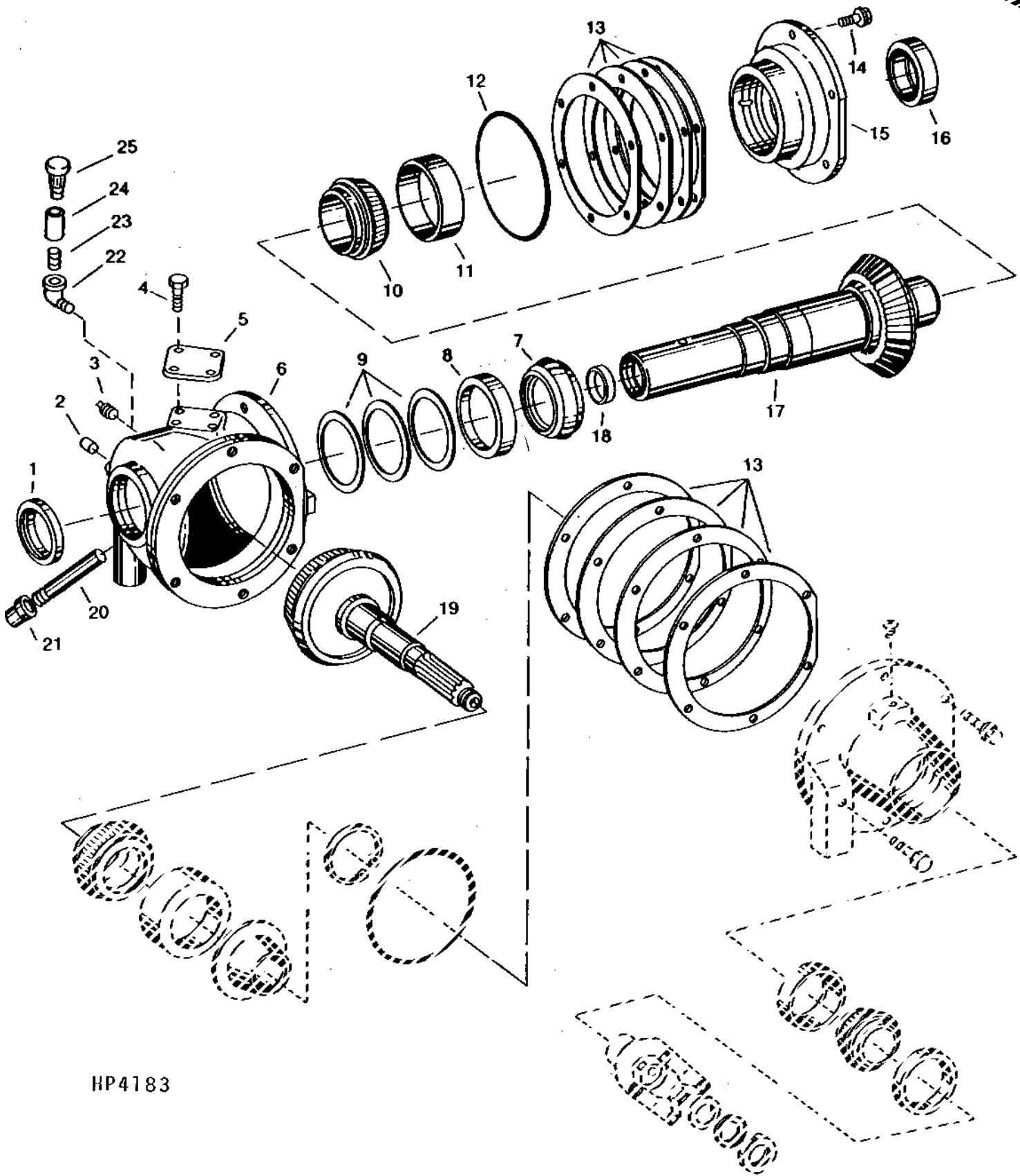
8C9

DRIVES

PRIMARY COUNTERSHAFT GEARCASE

(-640300)

HP4183 -UN-01JAN94



HP4183

8C10

DRIVES

PRIMARY COUNTERSHAFT GEARCASE - CONTINUED
(-640300)

| KEY | PART NO. | PART NAME | QTY | SERIAL NO. | REMARKS |
|-----|----------|-----------------|-----|---------------|---|
| 1 | AT16887 | SEAL | 1 | -638003 | (SUB AH137772) |
| | AH137772 | SEAL | 1 | | |
| 2 | AH112033 | SIGHT PLUG | 1 | | |
| 3 | 15H237 | PIPE PLUG | 1 | 636631- | |
| 4 | 19M7866 | SCREW | 4 | | M8 X 20 |
| 5 | H75267 | COVER | 1 | | |
| 6 | H126721 | GEAR CASE | 1 | | |
| 7 | JD8164 | BEARING CONE | 1 | | |
| 8 | JD8210 | BEARING CUP | 1 | | |
| 9 | T34354 | SHIM | 2 | -641244 | 0.050 MM (0.0020") THICK, (ORDER AT146272) |
| | T34355 | SHIM | 2 | -641244 | 0.127 MM (0.005") (ORDER AT146272) |
| | T34356 | SHIM | 5 | -641244 | 0.254 MM (0.0100") THICK, (ORDER AT146272) |
| | AT146272 | SHIM | 1 | 641245- | KIT |
| 10 | JD7378 | BEARING CONE | 1 | | |
| 11 | JD7292 | BEARING CUP | 1 | | |
| 12 | H125838 | O-RING | 1 | | 177.165 X 5.334 MM (6.975" X 0.210") |
| 13 | H114226 | SHIM | 2 | | 0.080 MM (0.003") (USE ONLY ONE PER SIDE) |
| | H114227 | SHIM | 4 | | 0.130 MM (0.005") |
| | H114228 | SHIM | 2 | | 0.250 MM (0.010") |
| | H118927 | SHIM | 8 | | 0.500 MM (0.020") |
| 14 | 19M7786 | SCREW | 6 | | M10 X 30 |
| 15 | H126564 | HOUSING | 1 | | |
| 16 | AT47901 | SEAL | 1 | -638003 | (SUB E56866) |
| | E56866 | SEAL | 1 | | |
| 17 | | BEVEL GEAR | 1 | | GEARS,41-TOOTH-SUB AH125243 FOR SERVICE |
| 18 | T69027 | SEAL | 1 | | |
| 19 | | BEVEL GEAR | 1 | | GEARS,41-TOOTH-SUB AH125243 FOR SERVICE |
| 20 | 29H217 | THREADED NIPPLE | 1 | | 1/2" |
| 21 | 15H3 | FITTING | 1 | | 1/2" |
| 22 | 15H602 | ELBOW FITTING | 1 | 636632- | |
| 23 | 29H593 | THREADED NIPPLE | 1 | 636632-636954 | 1/2" 2 1/2" LONG, (SUB 29H217) |
| | 29H217 | THREADED NIPPLE | 1 | 636955- | 1/2" 5" LONG |
| 24 | 15H579 | COUPLING | 1 | 636632- | |
| 25 | AH20868 | BREATHER | 1 | 636632- | |
| .. | AH125243 | GEAR | 1 | | GEARS, MATCHED SET WITH SHAFT INCS H126560, H129733,H129734, & 26H105 |
| .. | T43512 | SEALANT | 1 | -640300 | |
| .. | H116160 | SEALANT | 1 | | 6 ML , 3 OZ. TUBE |
| .. | TY15130 | SEALANT | 1 | | 3 OZ., CANADA NO. TY9484 |
| .. | AH134866 | GEAR CASE | 1 | -636631 | (SUB AH139021) |
| .. | AH137951 | GEAR CASE | 1 | 636632-641716 | (SUB AH139021) |
| .. | AH139021 | GEAR CASE | 1 | | |

8C12

DRIVES

PRIMARY COUNTERSHAFT GEARCASE (640301-) - CONTINUED

| KEY | PART NO. | PART NAME | QTY | SERIAL NO. | REMARKS |
|-----|----------|-----------------|-----|------------|--|
| 1 | AH137772 | SEAL | 1 | | |
| 2 | 19M7866 | SCREW | 4 | | |
| 3 | H75267 | COVER | 1 | | |
| 4 | H145001 | GEAR CASE | 1 | | |
| 5 | T34354 | SHIM | 2 | | |
| | T34355 | SHIM | 2 | | |
| | T34356 | SHIM | 5 | | |
| 6 | JD8210 | BEARING CUP | 1 | | |
| 7 | JD8164 | BEARING CONE | 1 | | |
| 8 | T69027 | SEAL | 1 | | |
| 9 | | GEAR | 1 | | GEARS, 41 - TOOTH, SUB AH125243 FOR SERVICE |
| 10 | JD7378 | BEARING CONE | 1 | | |
| 11 | JD7292 | BEARING CUP | 1 | | |
| 12 | H125838 | O-RING | 1 | | |
| 13 | H114226 | SHIM | 2 | | USE ONLY ONE PER SIDE |
| | H114227 | SHIM | 4 | | |
| | H114228 | SHIM | 2 | | |
| | H118927 | SHIM | 8 | | |
| 14 | 19M7786 | SCREW | 6 | | M10 X 30 |
| 15 | E56866 | SEAL | 1 | | |
| 16 | H126564 | HOUSING | 1 | | |
| 17 | AH125243 | GEAR | 1 | | |
| 18 | 29H217 | THREADED NIPPLE | 1 | | 1/2" |
| 19 | 15H3 | FITTING | 1 | | 1/2" |
| 20 | R26375 | O-RING | 1 | | |
| 21 | AH139015 | DIPSTICK | 1 | -642112 | (SUB AH141022) |
| | AH141022 | DIPSTICK | 1 | | |
| .. | T43512 | SEALANT | 1 | | MEDIUM STRENGTH - 50 ML, CANADA NO. TY9477 |
| .. | H116160 | SEALANT | 1 | | 6 ML, (3 OZ.), TUBE |
| .. | TY15130 | SEALANT | 1 | | 6 ML, (3 OZ.) CANADA NO. TY9484 |
| .. | AH139021 | GEAR CASE | 1 | -642112 | (SUB AH141051) |
| .. | AH141051 | GEAR CASE | 1 | | |
| .. | 25M3827 | GROOVE PIN | 1 | | 3 X 8 MM, (INSERT THROUGH SERIAL NUMBER PLATE AND INTO GEARCASE) |

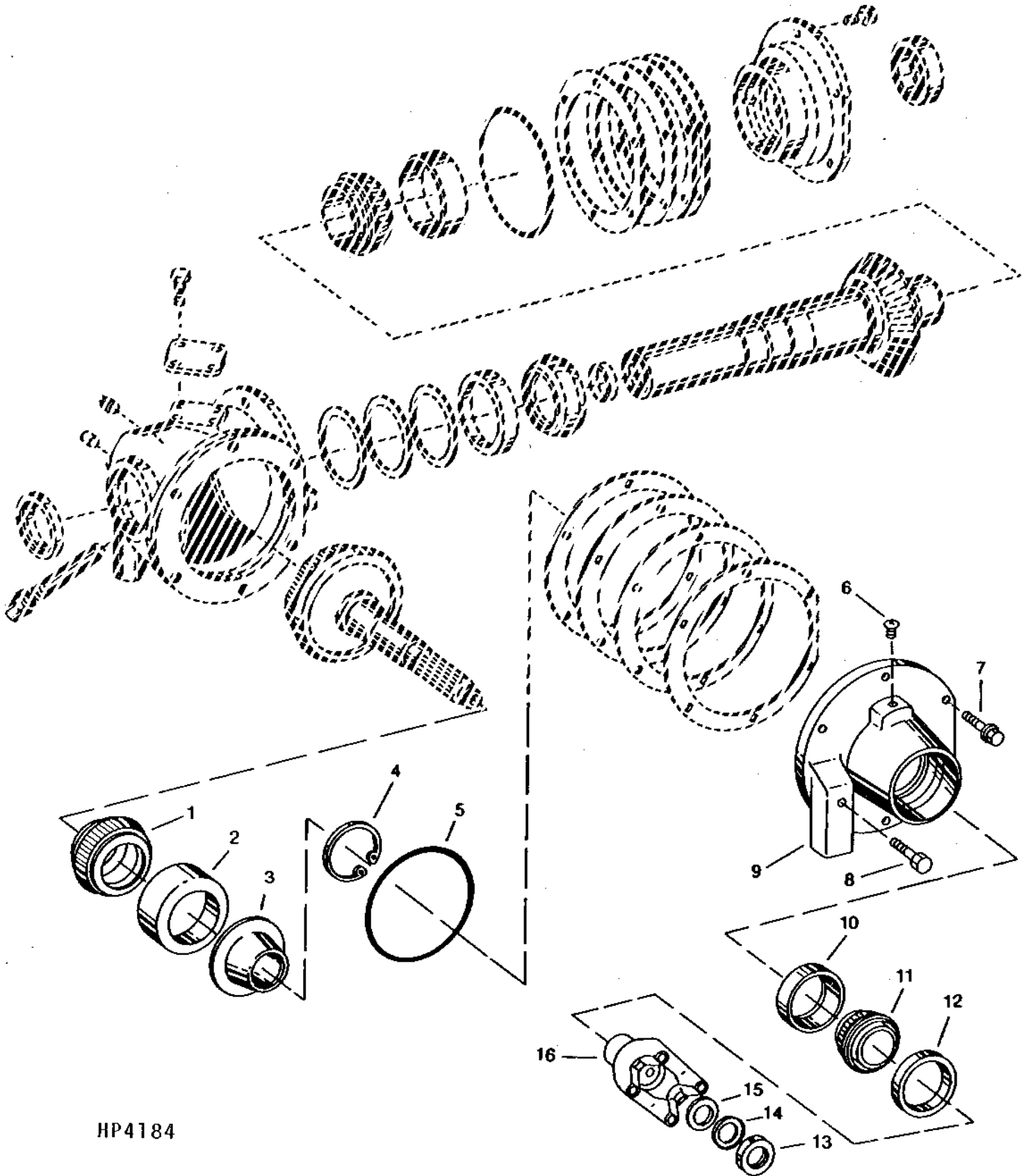
8C13

DRIVES

PRIMARY COUNTERSHAFT GEARCASE

(-640300)

HP4184 -UN-01JAN94



HP4184

8C14

DRIVES

PRIMARY COUNTERSHAFT GEARCASE - CONTINUED
(-640300)

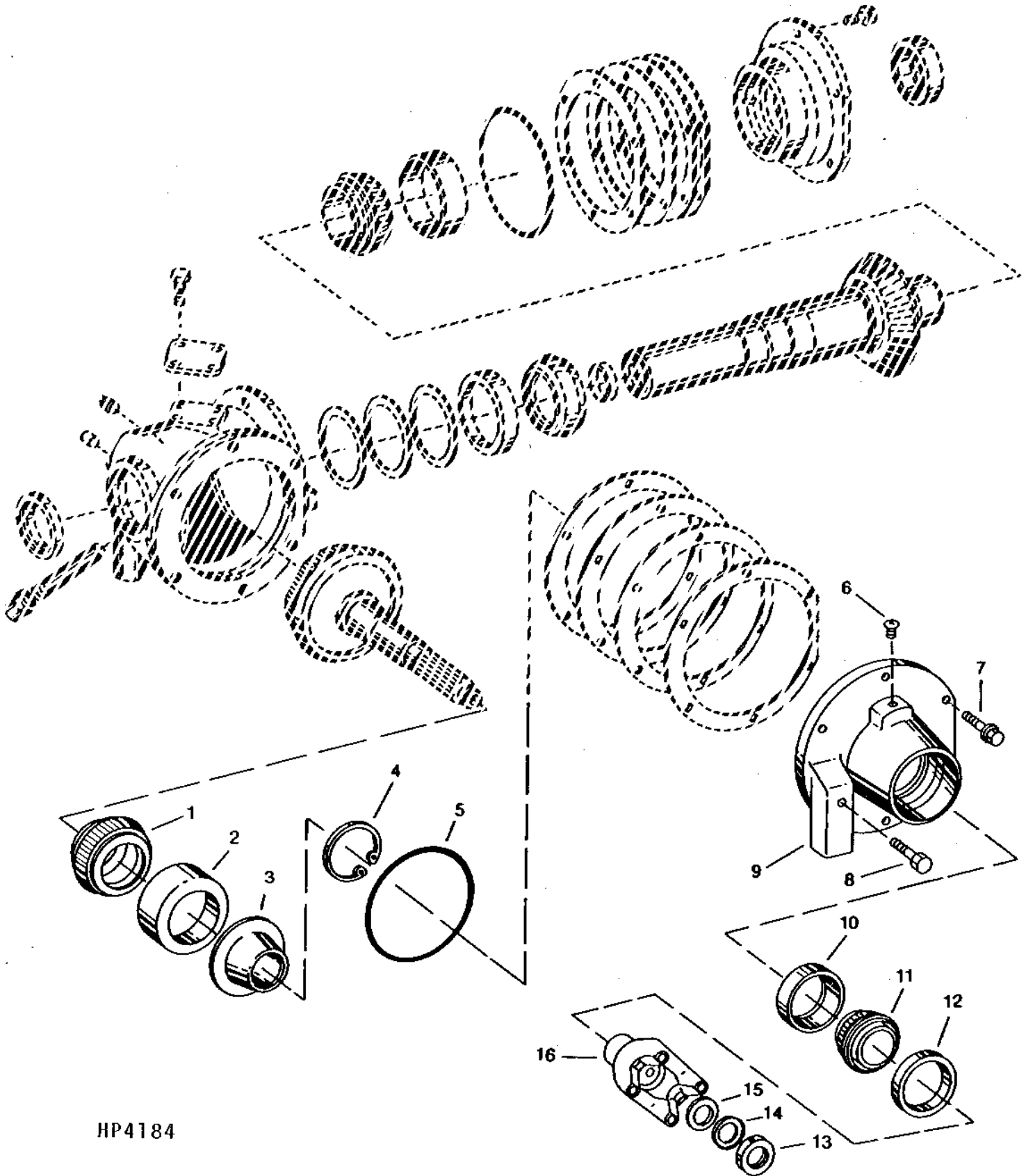
| KEY | PART NO. | PART NAME | QTY | SERIAL NO. | REMARKS |
|-----|----------|--------------|-----|---------------|---|
| 1 | JD9078 | BEARING CONE | 1 | | |
| 2 | JD8255 | BEARING CUP | 1 | | |
| 3 | H129844 | RETAINER | 1 | | |
| 4 | T41201 | SNAP RING | 1 | | |
| 5 | H125838 | O-RING | 1 | | 177.165 X 5.334 MM (6.975" X 0.210") |
| 6 | U14273 | BREATHER | 1 | -636631 | |
| 7 | 19M7786 | SCREW | 5 | | M10 X 30 |
| 8 | 19M7807 | SCREW | 1 | | M10 X 60 |
| 9 | H129845 | HOUSING | 1 | -636631 | (USE WITH 15H602, 29H217, 15H579 AND AH20868) |
| | H145046 | HOUSING | 1 | 636632-641475 | (SUB H144122) (USE WITH 15H602, 29H217, 15H579 AND AH20868) (SUB H144122) |
| | H144122 | HOUSING | 1 | | |
| 10 | JD7418 | BEARING CUP | 1 | | |
| 11 | JD7395 | BEARING CONE | 1 | | |
| 12 | AH112031 | SEAL | 1 | -638003 | (SUB AH137771) |
| | AH137771 | SEAL | 1 | | |
| 13 | N139123 | NUT | 1 | | 34.925 MM (1-3/8") |
| 14 | H118920 | LOCK WASHER | 1 | | |
| 15 | H118919 | LOCK WASHER | 1 | | 35.460 X 55.560 X 3.180 MM (1.396" X 2.187" X 0.125") |
| 16 | H130409 | YOKE | 1 | | |
| .. | AH125243 | GEAR | 1 | | GEARS, MATCHED SET WITH SHAFT |
| .. | T43512 | SEALANT | 1 | -640300 | |
| .. | H116160 | SEALANT | 1 | | 6 ML , 3 OZ. TUBE |
| .. | TY15130 | SEALANT | 1 | | 3 OZ., CANADA NO. TY9484 |
| .. | AH134866 | GEAR CASE | 1 | -636631 | (SUB AH137951) |
| .. | AH137951 | GEAR CASE | 1 | 636632-641716 | (SUB AH139021) |
| .. | AH139021 | GEAR CASE | 1 | -642112 | (SUB AH141051) |
| .. | AH141051 | GEAR CASE | 1 | | |

8C15

DRIVES

PRIMARY COUNTERSHAFT GEARCASE

(640301-)
HP4184 -UN-01JAN94



HP4184

8C16

DRIVES

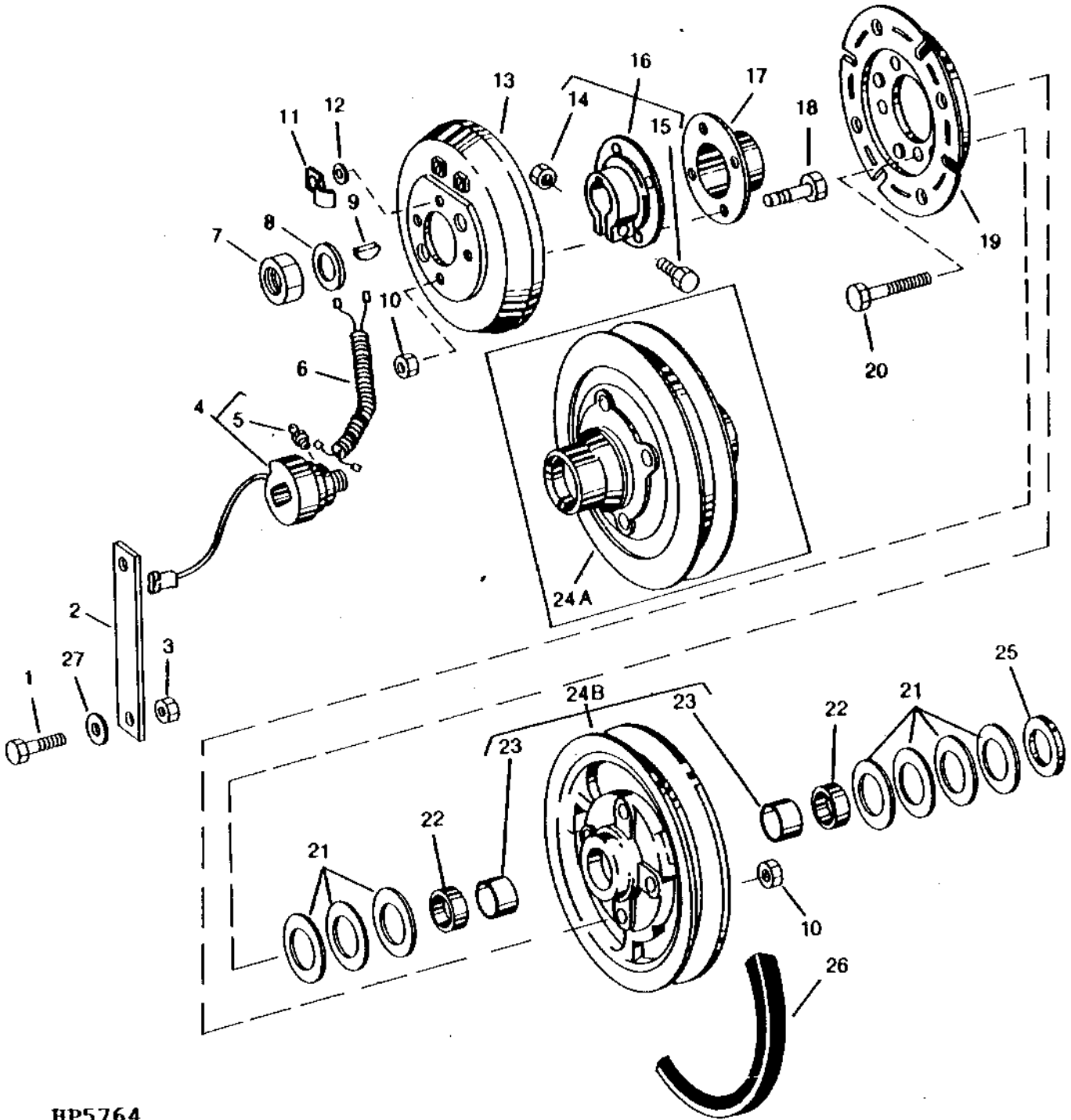
PRIMARY COUNTERSHAFT GEARCASE - CONTINUED
(640301-)

| KEY | PART NO. | PART NAME | QTY | SERIAL NO. | REMARKS |
|-----|----------|--------------|-----|------------|---|
| 1 | JD9078 | BEARING CONE | 1 | | |
| 2 | JD8255 | BEARING CUP | 1 | | |
| 3 | H129844 | RETAINER | 1 | | |
| 4 | T41201 | SNAP RING | 1 | | |
| 5 | H125838 | O-RING | 1 | | 177.165 X 5.334 MM (6.975" X 0.210") |
| 6 | U14273 | BREATHER | 1 | | |
| 7 | 19M7786 | SCREW | 5 | | M10 X 30 |
| 8 | 19M7807 | SCREW | 1 | | |
| 9 | H145046 | HOUSING | 1 | -642112 | (SUB H144122) |
| | H144122 | HOUSING | 1 | | |
| 10 | JD7418 | BEARING CUP | 1 | | |
| 11 | JD7395 | BEARING CONE | 1 | | |
| 12 | AH137771 | SEAL | 1 | | |
| 13 | N139123 | NUT | 1 | | |
| 14 | H118920 | LOCK WASHER | 1 | | |
| 15 | H118919 | LOCK WASHER | 1 | | 35.460 X 55.560 X 3.180 MM (1.396" X 2.187" X 0.125") |
| 16 | H130409 | YOKE | 1 | | |
| .. | AH125243 | GEAR | 1 | | GEARS, MATCHED SET WITH SHAFT |
| .. | T43512 | SEALANT | 1 | | MEDIUM STRENGTH - 50 ML, CANADA NO. TY9477 |
| .. | H116160 | SEALANT | 1 | | 6 ML, 3 OZ. TUBE |
| .. | TY15130 | SEALANT | 1 | | 3 OZ. ,CANADA NO. TY9484 |
| .. | AH139021 | GEAR CASE | 1 | -642112 | (SUB AH141051) |
| .. | AH141051 | GEAR CASE | 1 | | |

8C17

DRIVES

HEADER ELECTROMAGNETIC CLUTCH
HP5764 -UN-01JAN94



HP5764

HEADER ELECTROMAGNETIC CLUTCH - CONTINUED

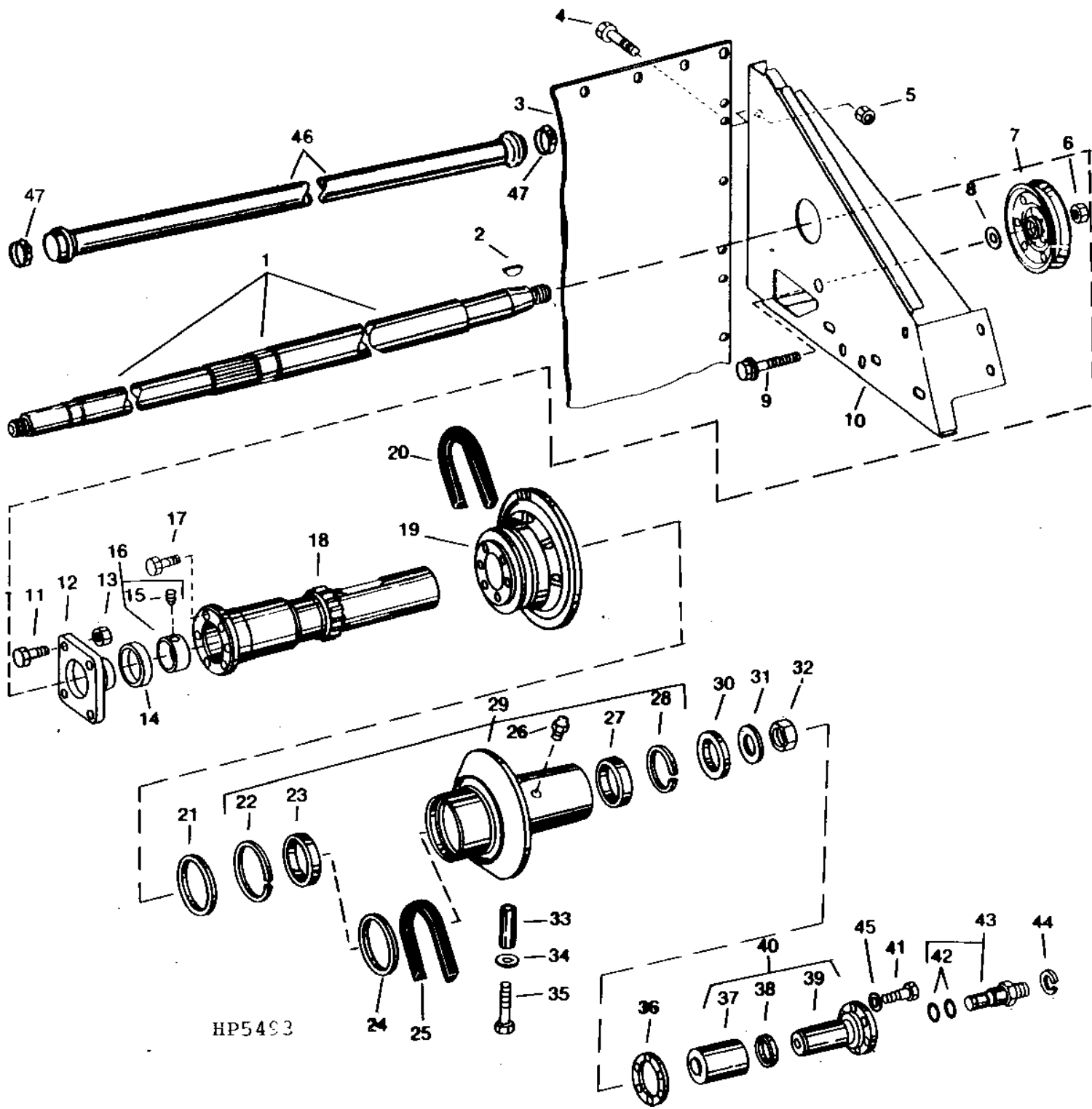
| KEY | PART NO. | PART NAME | QTY | SERIAL NO. | REMARKS |
|-----|----------|---------------------|-----|------------|---|
| 1 | 19M7775 | SCREW | 1 | | M6 X 16 |
| 2 | H134773 | STRAP | 1 | | |
| 3 | 14M7303 | FLANGE NUT | 1 | | M6 |
| 4 | AH130582 | DEVICE | 1 | -15NO99 | BRUSHHOLDER |
| | AH162068 | KIT | 1 | 16NO99- | |
| 5 | JD7797 | LUBRICATION FITTING | 1 | | |
| 6 | AH134207 | WIRING HARNESS | 1 | | |
| 7 | H82620 | LOCK NUT | 1 | | 31.750 MM (1-1/4") |
| 8 | 24H1668 | WASHER | 1 | | 1-17/64" X 2-1/4" X 0.134" |
| 9 | 26H105 | SHAFT KEY | 1 | | WOODRUFF |
| 10 | 14M7299 | FLANGE NUT | 8 | | M12 |
| 11 | AH77279 | CLIP | 1 | | |
| 12 | 24H1789 | WASHER | 1 | | 17/32" X 1-1/4" X 0.105" |
| 13 | AH121658 | FIELD WINDING COIL | 1 | | |
| 14 | 14M7296 | FLANGE NUT | 1 | | M10 |
| 15 | 19M8292 | SCREW | 1 | | M10 X 50 |
| 16 | AH124937 | HUB | 1 | -641588 | |
| | AH136052 | HUB | 1 | 641589- | |
| 17 | H129676 | RING | 1 | | |
| 18 | 19M7790 | SCREW | 4 | | M12 X 35 |
| 19 | AH96244 | ARMATURE | 1 | | |
| 20 | 19M8306 | SCREW | 4 | | M12 X 50 |
| 21 | 24H1616 | WASHER | AR | -19AU96 | 2-9/16" X 3-3/4" X 0.036" |
| 22 | AB5070R | SEAL | 2 | | |
| 23 | H126716 | BUSHING | 2 | | |
| 24A | AH121657 | SHEAVE | 1 | -646369 | (SUB AH139936) USE WITH SLOW SPEED CYLINDER DRIVE |
| 24B | AH139936 | SHEAVE | 1 | | |
| 25 | H126715 | WASHER | 1 | | 63.750 X 100 X 6 MM (2.510" X 3.937" X 0.236") |
| 26 | H125565 | BELT | 1 | -638003 | |
| | H140160 | BELT | 1 | 638004- | |
| 27 | 24M7207 | WASHER | 1 | 656882- | 8.400 X 24 X 2 MM (0.331" X 0.945" X 0.079") |

8C19

DRIVES

PRIMARY COUNTERSHAFT, SUPPORTS AND VARIABLE SHEAVE

HP5493 -UN-01JAN94



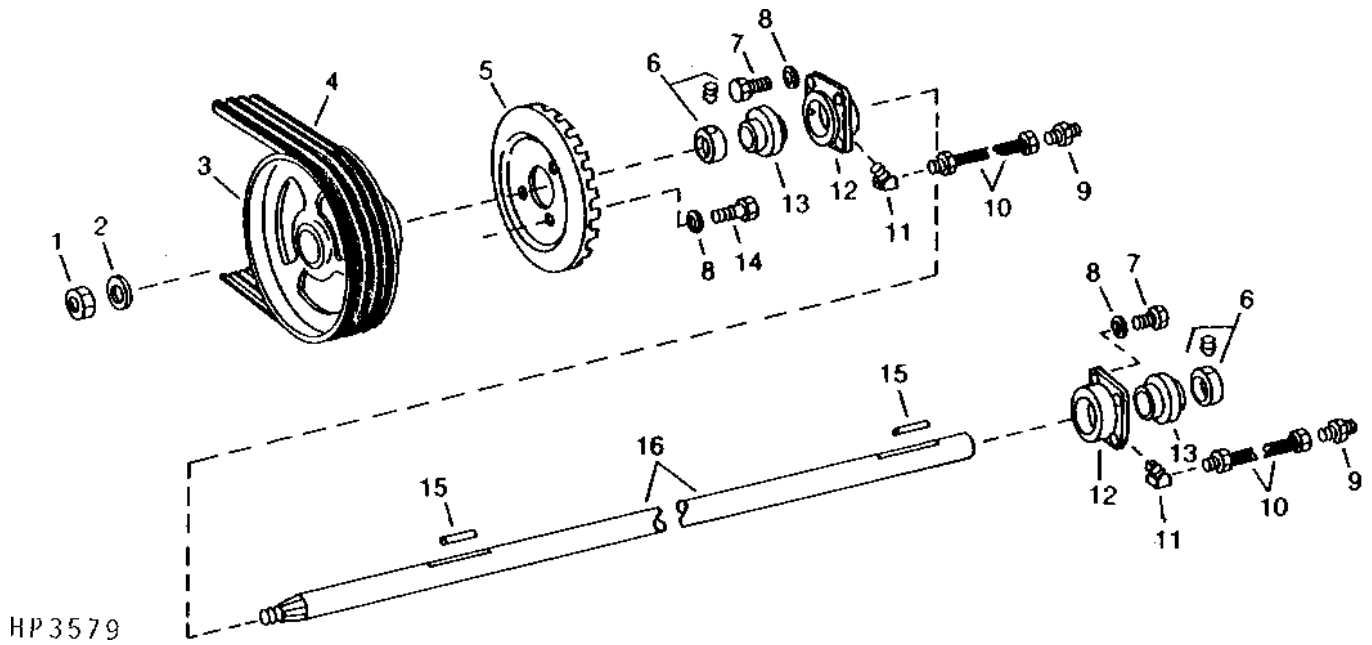
HP5493

PRIMARY COUNTERSHAFT, SUPPORTS AND VARIABLE SHEAVE - CONTINUED

| KEY | PART NO. | PART NAME | QTY | SERIAL NO. | REMARKS |
|-----|----------|-----------------------------|-----|---------------|--|
| 1 | AH122240 | JACKSHAFT | 1 | | |
| 2 | 26H114 | SHAFT KEY | 1 | | 1/2" X 2-3/4" |
| 3 | H130904 | SHEET | 1 | -650308 | (SUB H147910) |
| | H147910 | SHEET | 1 | | |
| 4 | 19M7866 | SCREW | AR | | M8 X 20 |
| 5 | 14M7298 | FLANGE NUT | AR | | M8 |
| 6 | 14M7291 | FLANGE NUT | 1 | | M16 |
| 7 | AH97031 | IDLER | 1 | | |
| 8 | 24M7053 | WASHER | AR | | 17 X 30 X 3 MM |
| 9 | 19M7794 | SCREW | 1 | -661919 | M16 X 50 |
| | 19M7824 | SCREW | 1 | 661920- | M16 X 60 |
| 10 | AH128730 | SHEET | 1 | -631800 | |
| | AH135296 | SHEET | 1 | 631801- | |
| 11 | 19M7786 | SCREW | 4 | | M10 X 30 |
| 12 | H133618 | BEARING HOUSING W/O BEARING | 1 | | |
| 13 | 14M7296 | FLANGE NUT | 4 | | M10 |
| 14 | JD10017 | BALL BEARING | 1 | | |
| 15 | 22H821 | SET SCREW | 1 | | 1/2" X 1/2" |
| 16 | JD8668 | ECCENTRIC LOCKING COLLAR | 1 | | |
| 17 | 19M7835 | SCREW | 6 | | M10 X 35 |
| 18 | H127196 | HOUSING | 1 | | |
| 19 | H115755 | HALF SHEAVE | 1 | | |
| 20 | H128010 | BELT | 1 | | PRIMARY TO SECONDARY COUNTERSHAFT DRIVE |
| 21 | AH94853 | SEAL | 1 | | |
| 22 | H93631 | SNAP RING | 1 | | |
| 23 | H93630 | BUSHING | 1 | | |
| 24 | H118617 | BUMPER | 1 | | USED FOR SLOW SPEED CYLINDER DRIVE ONLY |
| 25 | H115759 | BELT | 1 | | PRIMARY TO INTERMEDIATE CYLINDER DRIVE, (SUB H162629) |
| | H162629 | BELT | 1 | | |
| 26 | JD7798 | LUBRICATION FITTING | 2 | | |
| 27 | H123557 | SPACER | 1 | -652326 | (SUB H148131) |
| | H148131 | BUSHING | 1 | | |
| 28 | P48691 | SNAP RING | 1 | | |
| 29 | AH141820 | HALF SHEAVE | 1 | 651987- | (SUB FOR AH122685) |
| 30 | AH87141 | SEAL | 1 | | |
| 31 | 24H1668 | WASHER | 1 | | 1-17/64" X 2-1/4" X 0.134" |
| 32 | H82620 | LOCK NUT | 1 | | 31.750 MM (1-1/4") |
| 33 | H110237 | PIN | 1 | | |
| 34 | 24M7178 | WASHER | 2 | | 10.500 X 30 X 2.500 MM |
| 35 | 19M7784 | SCREW | 2 | | M10 X 20 |
| 36 | H102533 | SHIM | AR | | 0.762 MM (0.030") |
| 37 | | BARREL | 1 | | (SUB AH125193) |
| 38 | H97306 | SEAL | 1 | | |
| 39 | | PISTON | 1 | | (SUB AH125193) |
| 40 | AH125193 | CYLINDER | 1 | | |
| 41 | 19H1732 | CAP SCREW | 6 | | 3/8" X 1-1/4" |
| 42 | R27564 | O-RING | 2 | | 18.771 X 1.778 MM (0.739" X 0.070") |
| 43 | AH124376 | UNION FITTING | 1 | -640188 | (SUB AH139238) |
| | AH124376 | UNION FITTING | 1 | -641228 | (SUB AH139238) |
| | AH139238 | UNION FITTING | 1 | | |
| 44 | H135292 | SNAP RING | 1 | | |
| 45 | 12H304 | LOCK WASHER | 6 | | 3/8" |
| 46 | AH163803 | KIT | 1 | 640300- | (INCLUDES (2) TY22494) (SUB FOR AH141390) FOR COUNTERSHAFT DIRT PROTECTION |
| 47 | AR60499 | CLAMP | 1 | 645796-662367 | |
| | TY22494 | HOSE CLAMP | 1 | | |

8C21

SINGLE RANGE CYLINDER DRIVE
HP3579 -UN-01JAN94



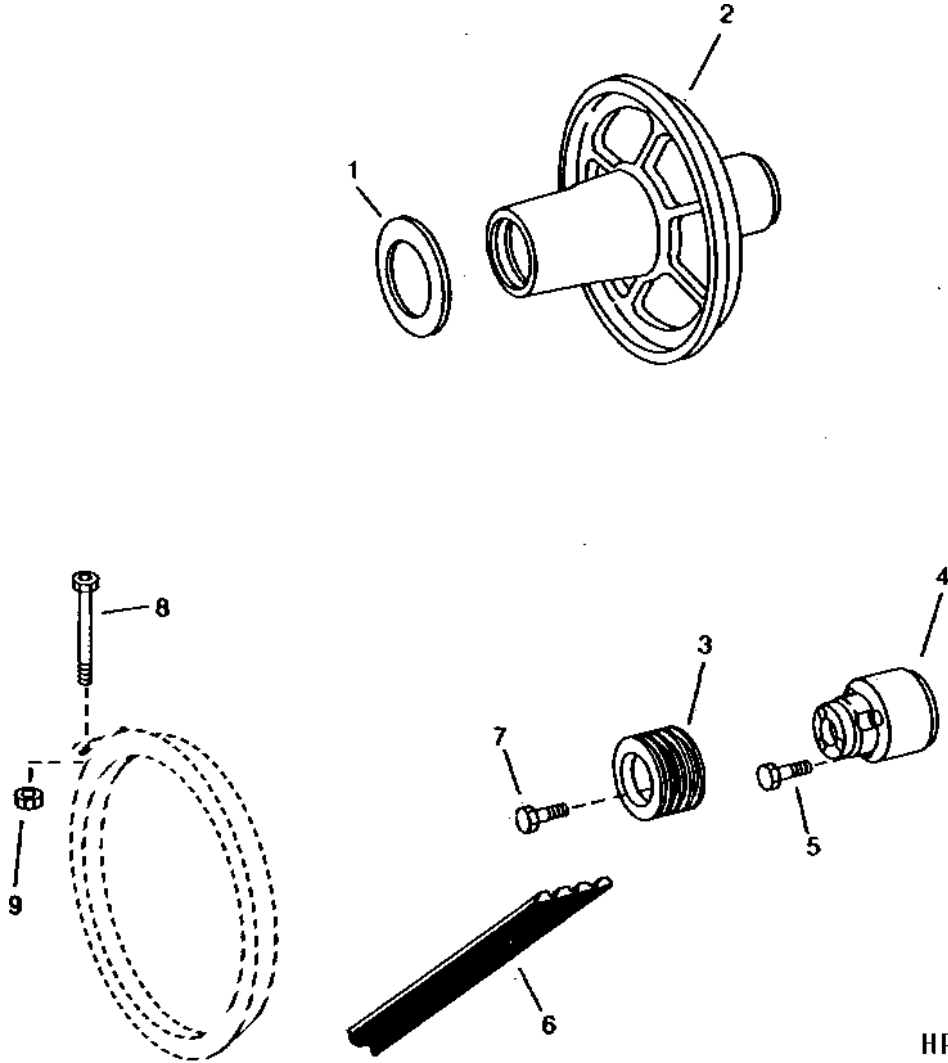
SINGLE RANGE CYLINDER DRIVE - CONTINUED

| KEY | PART NO. | PART NAME | QTY | SERIAL NO. | REMARKS |
|-----|----------|--------------------------|-----|------------|--|
| 1 | H138085 | LOCK NUT | 1 | | 34.925 MM (1-3/8") |
| 2 | 24H1509 | WASHER | 1 | | 1-25/64" X 2-1/2" X 0.194" |
| 3 | H93645 | SHEAVE | 1 | | |
| 4 | H115881 | BELT | 1 | | |
| 5 | H128297 | WHEEL | 1 | | |
| 6 | JD10342 | ECCENTRIC LOCKING COLLAR | 1 | | |
| 7 | 19H1732 | CAP SCREW | 4 | | 3/8" X 1-1/4" |
| 8 | 12H304 | LOCK WASHER | 4 | | 3/8" |
| 9 | JD7759 | LUBRICATION FITTING | 2 | | |
| 10 | AH121009 | HOSE | 2 | | 1/8" X 910 MM (35-3/4") X 1/8" |
| 11 | JD7845 | ELBOW FITTING | 2 | | |
| 12 | H99149 | HOUSING | 2 | | |
| 13 | JD10343 | BALL BEARING | 2 | | |
| 14 | 19H1936 | CAP SCREW | 3 | | 3/8" X 3/4" |
| 15 | | SHAFT KEY | 2 | | (CUT FROM H64376) IN AH64587 KEY STOCK KIT |
| 16 | H127971 | SHAFT | 1 | -641944 | (SUB H145969) SINGLE RANGE |
| | H145969 | SHAFT | 1 | | SINGLE RANGE |

8C23

DRIVES

SLOW SPEED CYLINDER DRIVE
HP3983 -UN-01JAN94



HP3983

8C24

DRIVES

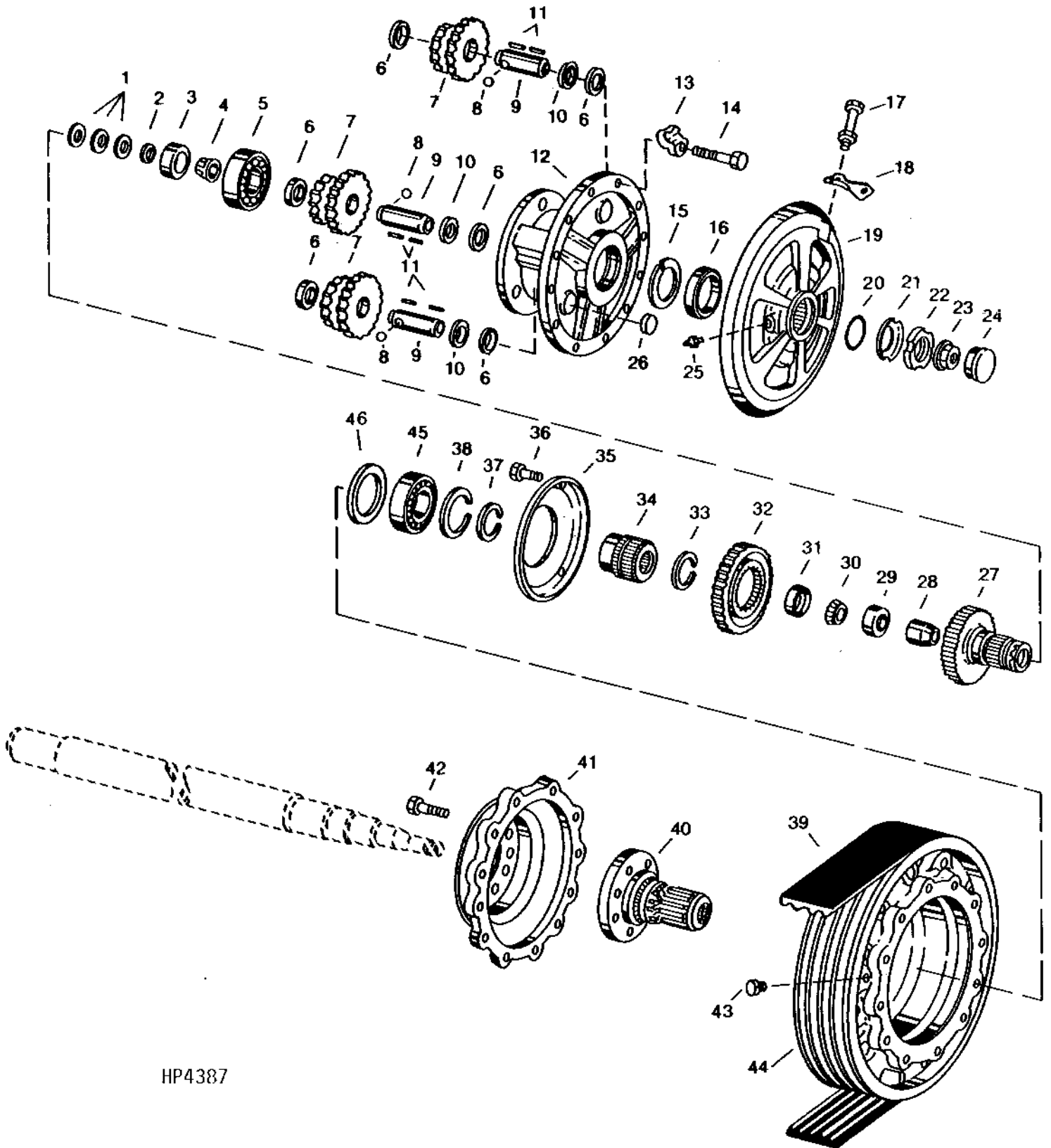
SLOW SPEED CYLINDER DRIVE - CONTINUED

| KEY | PART NO. | PART NAME | QTY | SERIAL NO. | REMARKS |
|-----|----------------|------------------------------------|----------|------------|--------------------------------------|
| 1 | H118617 | BUMPER | 1 | | |
| 2 | AH141820 | HALF SHEAVE | 1 | 651986- | (SUB FOR AH122685) |
| 3 | H118616 | SHEAVE | 1 | | |
| 4 | H125532 | HUB | 1 | -640300 | (SUB H141588) |
| | H141588 | HUB | 1 | | |
| 5 | 19M8017 | CAP SCREW | 3 | | M12 X 20 |
| 6 | H118618 | BELT | 1 | | |
| 7 | 19M8162 | CAP SCREW | 3 | | M10 X 40 |
| 8 | H120490 | BOLT | 4 | | SPECIAL HOLLOW SHEAR BOLT |
| 9 | M63707 | LOCK NUT | 4 | | 6.350 MM |
| .. | BH79239 | COMPLETE GOODS/SHIP. BUNDLE | 1 | | LOW DUAL RANGE CYLINDER DRIVE |

8D1

DRIVES

DUAL-RANGE CYLINDER DRIVE GEAR CASE
HP4387 -UN-01JAN94



HP4387

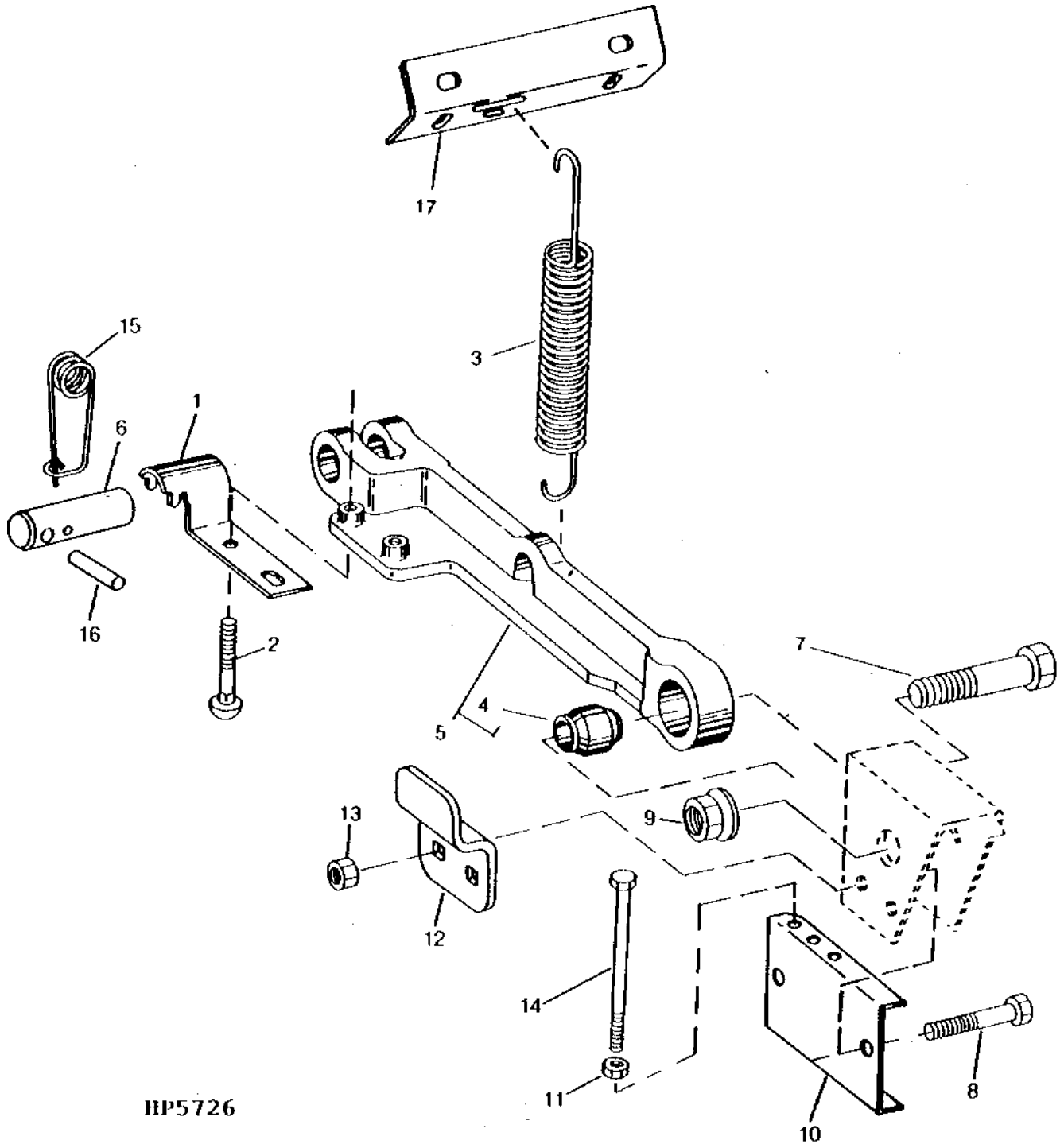
DUAL-RANGE CYLINDER DRIVE GEAR CASE - CONTINUED

| KEY | PART NO. | PART NAME | QTY | SERIAL NO. | REMARKS |
|-----|----------|-----------------------------|-----|------------|---|
| 1 | H111260 | SHIM | AR | | 0.05 THICK |
| | H111261 | SHIM | AR | | 0.10 THICK |
| | H111262 | SHIM | AR | | 0.25 THICK |
| 2 | H111041 | WASHER | 1 | | 23.200 X 30 X 2.500 MM (0.913" X 1.181" X 0.098") |
| 3 | JD8239 | BEARING CUP | 1 | | |
| 4 | JD8960 | BEARING CONE | 1 | | |
| 5 | AH108801 | BALL BEARING | 1 | | |
| 6 | R71758 | THRUST WASHER | 6 | | |
| 7 | H113947 | PINION | 3 | | |
| 8 | H871R | BALL | 3 | | |
| 9 | H113627 | PINION SHAFT | 3 | | |
| 10 | R71756 | WASHER | 3 | | 25.510 X 31.750 X 2.580 MM (1.004" X 1-1/4" X 0.102") |
| 11 | R84261 | PIN | 132 | | |
| 12 | H118082 | COVER | 1 | | |
| 13 | H127855 | RETAINER | 3 | | |
| 14 | 19M8162 | CAP SCREW | 12 | | M10 X 40 |
| | 12H304 | LOCK WASHER | 9 | | 3/8" |
| 15 | H117703 | SHIM | 1 | | |
| 16 | AH112883 | SEAL | 1 | | |
| 17 | 19H2151 | CAP SCREW | 1 | | 1/4" X 3" |
| | M63707 | LOCK NUT | 1 | | 6.350 MM (1/4") |
| 18 | H127590 | LUG | 1 | | |
| 19 | H113208 | WHEEL | 1 | | |
| 20 | U10063 | O-RING | 1 | | 59.690 X 5.334 MM (2.350" X 0.210") |
| 21 | H112877 | LOCK WASHER | 1 | | |
| 22 | E12305 | NUT | 1 | | 64.719 MM (2.548") |
| 23 | H113238 | FLANGE NUT | 1 | | |
| 24 | H110521 | CAP | 1 | | |
| 25 | JD7797 | LUBRICATION FITTING | 1 | | |
| 26 | H110462 | PLUG | 3 | | |
| 27 | H113063 | GEAR | 1 | | |
| 28 | H111042 | SPACER | 1 | | |
| 29 | JD7441 | BEARING | 1 | | |
| 30 | JD10214 | BEARING CONE | 1 | | |
| 31 | AH110887 | SEAL | 1 | | |
| 32 | H113946 | GEAR | 1 | | |
| 33 | T47836 | SNAP RING | 1 | | |
| 34 | H114687 | BEARING HOUSING W/O BEARING | 1 | | |
| 35 | H110337 | RING | 1 | | |
| 36 | R38131 | CAP SCREW | 3 | | 7.925 X 12.700 MM (5/16" X 1/2") |
| 37 | R80R | SNAP RING | 1 | | |
| 38 | H114688 | SNAP RING | 1 | | |
| 39 | H115881 | BELT | 1 | | |
| 40 | H126829 | HUB | 1 | | |
| 41 | H126722 | SHEAVE | 1 | | |
| 42 | 19M7785 | SCREW | 8 | -640300 | M10 X 25 |
| | H144962 | SCREW | 8 | 640300- | M10 X 25 |
| 43 | AH109056 | PIPE PLUG | 1 | | |
| 44 | H114689 | SHEAVE | 1 | | |
| 45 | JD10032 | BALL BEARING | 1 | | |
| 46 | AF1466R | SEAL | 1 | | |
| .. | T43512 | SEALANT | 1 | -640300 | |
| .. | TY15130 | SEALANT | 1 | | SIZE: 3 OZ. (CANADA PART NO. TY9484) |
| .. | TY16285 | PRIMER | 1 | | (SUB FOR TY6305) |
| .. | TY6304 | SEALANT | 1 | | (CANADA PART NO. TY9483) |
| .. | TY6333 | GREASE | 1 | | SIZE- 14 OZ. TUBE |
| .. | AH134859 | GEAR CASE | 1 | | |

8D3

DRIVES

DUAL-RANGE LOCKOUT ARM
HP5726 -UN-01JAN94



HP5726

8D4

DRIVES

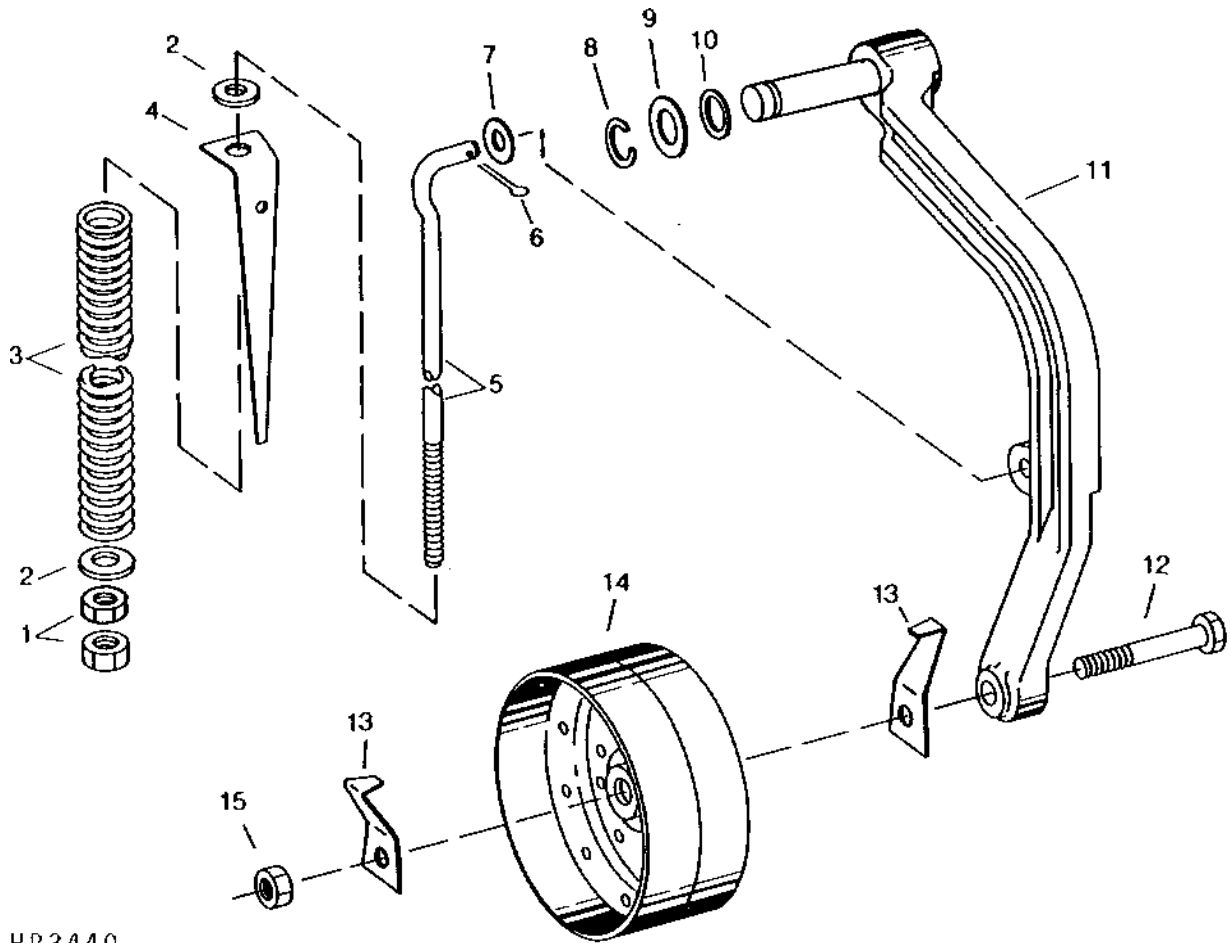
DUAL-RANGE LOCKOUT ARM - CONTINUED

| KEY | PART NO. | PART NAME | QTY | SERIAL NO. | REMARKS |
|-----|----------|------------------|-----|------------|-------------------------------|
| 1 | H139709 | RETAINER | 1 | | |
| 2 | 19M7867 | SCREW | 2 | | M8 X 25 |
| 3 | M45123 | EXTENSION SPRING | 1 | | |
| 4 | AH80384 | ISOLATOR | 1 | -656734 | |
| | AH143746 | RUBBER MOUNT | 1 | 656735- | |
| 5 | AH131070 | ARM | 1 | -656734 | (SUB AH143747) |
| | AH143747 | ARM | 1 | | |
| 6 | H110542 | PIN | 1 | | 20 X 115 MM (0.787" X 4.528") |
| 7 | 19M7826 | SCREW | 1 | | M16 X 70 |
| 8 | 03M7184 | BOLT | 1 | -640300 | M8 X 20 |
| 9 | 14M7291 | FLANGE NUT | 1 | | M16 |
| 10 | H113210 | CHANNEL | 1 | -640300 | (SUB AH139180) |
| | AH139180 | KIT | 1 | | |
| 11 | M63707 | LOCK NUT | 3 | | 6.350 MM |
| 12 | H127732 | GUIDE | 1 | -640300 | |
| 13 | 14M7298 | FLANGE NUT | 1 | -640300 | M8 |
| 14 | 19H2151 | CAP SCREW | 3 | | 1/4" X 3" |
| 15 | H114001 | QUICK LOCK PIN | 1 | | |
| 16 | 34M7036 | SPRING PIN | 1 | | 5 X 45 MM |
| 17 | H120660 | ANGLE | 1 | -637314 | (SUB H120659) |
| | H120659 | ANGLE | 1 | | |

8D5

DRIVES

DUAL-RANGE CYLINDER DRIVE TIGHTENER
HP3440 -UN-01JAN94



HP 3440

8D6

DRIVES

DUAL-RANGE CYLINDER DRIVE TIGHTENER - CONTINUED

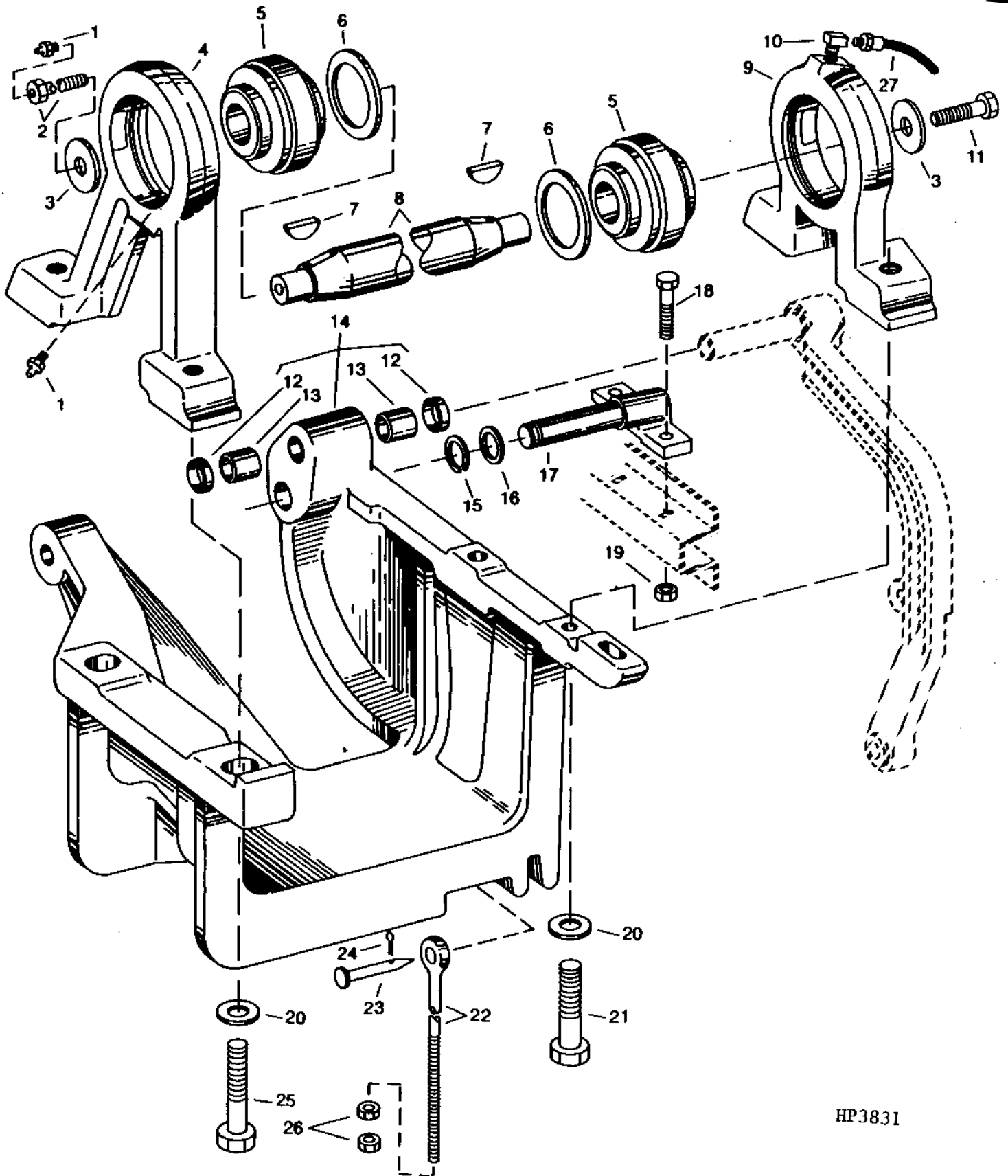
| KEY | PART NO. | PART NAME | QTY | SERIAL NO. | REMARKS |
|-----|----------|------------|-----|---------------------------|--------------------|
| 1 | 14M7276 | NUT | 2 | M16 | |
| 2 | 24H1373 | WASHER | 2 | 21/32" X 1-9/16" X 0.180" | |
| 3 | N61654 | SPRING | 1 | | |
| 4 | H116862 | GAUGE | 1 | | |
| 5 | H116861 | HOOK BOLT | 1 | | |
| 6 | 11M7028 | COTTER PIN | 1 | 5 X 32 MM | |
| 7 | 24M7053 | WASHER | 1 | 17 X 30 X 3 MM | |
| 8 | P46402 | SNAP RING | 1 | | |
| 9 | 24H1447 | WASHER | AR | 1-1/32" X 1-1/2" X 0.036" | (USE FOUR OR LESS) |
| 10 | 24H1448 | WASHER | 1 | 1-1/32" X 1-1/2" X 0.120" | |
| 11 | AH113139 | ARM | 1 | | |
| 12 | 19M7818 | SCREW | 1 | M12 X 80 | |
| 13 | H94386 | BRACKET | 2 | | |
| 14 | AH111447 | IDLER | 1 | -646522 | (SUB AH141762) |
| | AH141762 | IDLER | 1 | | |
| 15 | 14M7299 | FLANGE NUT | 1 | M12 | |

8D7

DRIVES

DUAL-RANGE CYLINDER DRIVE INTERMEDIATE SHAFT MOUNTING

HP3831 -UN-01JAN94



HP3831

8D8

DRIVES

DUAL-RANGE CYLINDER DRIVE INTERMEDIATE SHAFT MOUNTING - CONTINUED

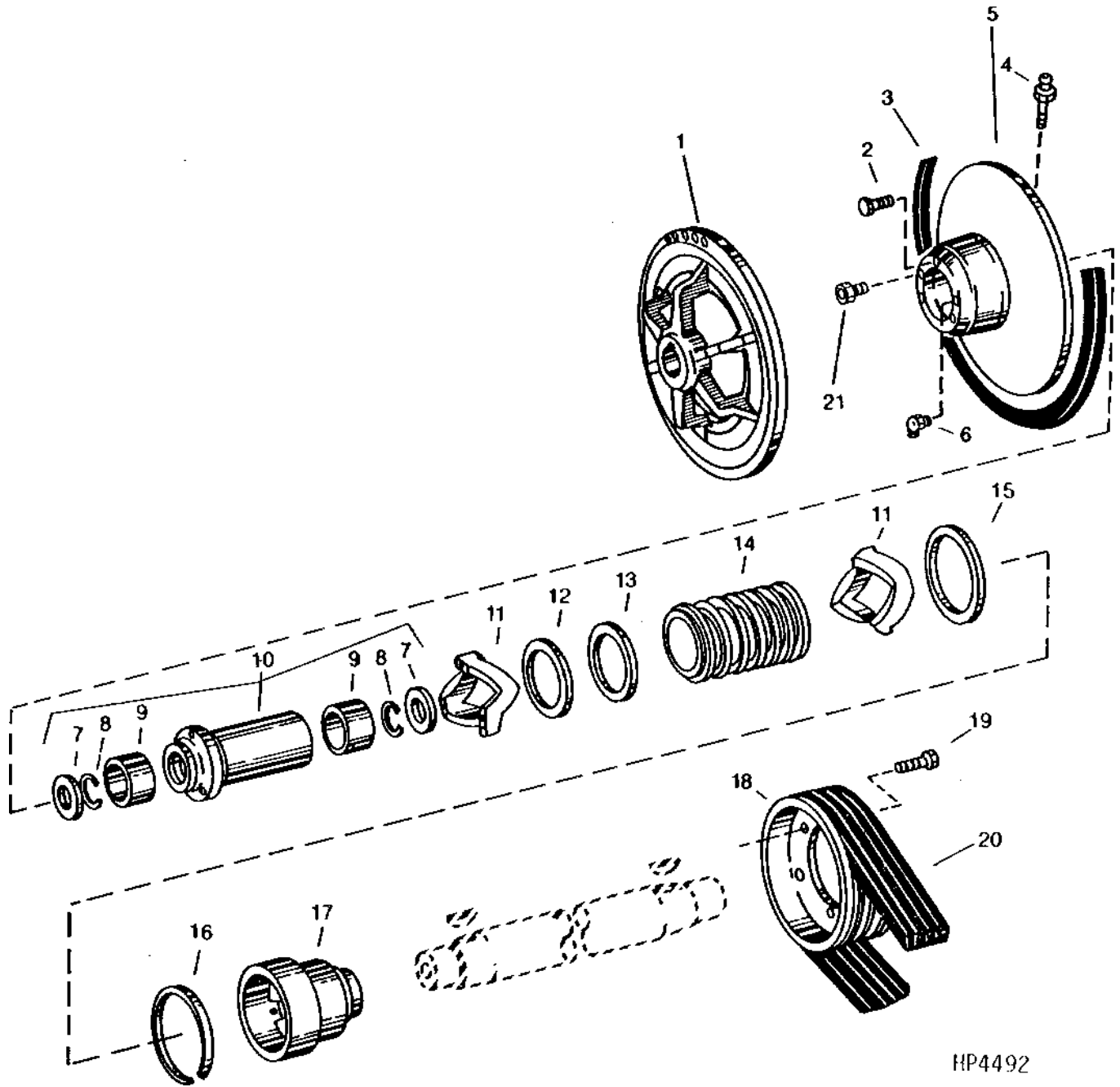
| KEY | PART NO. | PART NAME | QTY | SERIAL NO. | REMARKS |
|-----|----------|---------------------|-----|------------|--|
| 1 | JD7759 | LUBRICATION FITTING | 2 | | 1/8" STRAIGHT |
| 2 | H110168 | SCREW | 1 | | M16 X 60 |
| 3 | R20135 | WASHER | 2 | | 16.662 X 57.150 X 6.350 MM (21/32" X 2-1/4" X 1/4") |
| 4 | H121134 | HOUSING | 1 | | |
| 5 | AH108813 | BALL BEARING | 2 | | |
| 6 | E18993 | WASHER | 2 | | 38.608 X 63.500 X 1.575 MM (1.520" X 2-1/2" X 1/16") |
| 7 | 26M6787 | SHAFT KEY | 2 | | 10 X 32 MM |
| 8 | H115596 | SHAFT | 1 | -646970 | (SUB H148241) |
| | H148241 | SHAFT | 1 | | |
| 9 | H119210 | HOUSING | 1 | | |
| 10 | JD7839 | LUBRICATION FITTING | 1 | | 18" - 90 DEGREE |
| 11 | 19M7793 | SCREW | 1 | | M16 X 40 |
| 12 | AA5607R | SEAL | 2 | | |
| 13 | H99147 | BUSHING | 2 | | (SUB H171061) |
| | H171061 | BEARING | 2 | | |
| 14 | AH122451 | SUPPORT | 1 | | |
| 15 | M2353T | SNAP RING | 1 | | |
| 16 | 24H1513 | WASHER | 1 | | 1-13/32" X 2" X 0.060" |
| 17 | H127596 | PIN | 1 | | |
| 18 | 19M7898 | SCREW | 2 | | M10 X 130 |
| 19 | 14M7296 | FLANGE NUT | 2 | | M10 |
| 20 | T20217 | WASHER | 4 | | 12.954 X 43.942 X 6.350 MM (0.510" X 1.730" X 1/4") |
| 21 | 19H3057 | CAP SCREW | 2 | | 1/2" X 2-3/4" |
| 22 | H127583 | EYEBOLT | 1 | | |
| 23 | T22714 | PIN | 1 | | 15.748 X 66.040 MM (0.620" X 2.600") |
| 24 | 11M7028 | COTTER PIN | 1 | | 5 X 32 MM |
| 25 | 19M8306 | SCREW | 2 | | M12 X 50 |
| 26 | 14M7291 | FLANGE NUT | 2 | | M16 |
| 27 | AH121007 | HOSE | 1 | | 1/8" X 1 400 MM (55") X 1/8" |

8D9

DRIVES

DUAL-RANGE CYLINDER DRIVE INTERMEDIATE SHEAVE

HP4492 -UN-01JAN94



HP4492

8D10

DRIVES

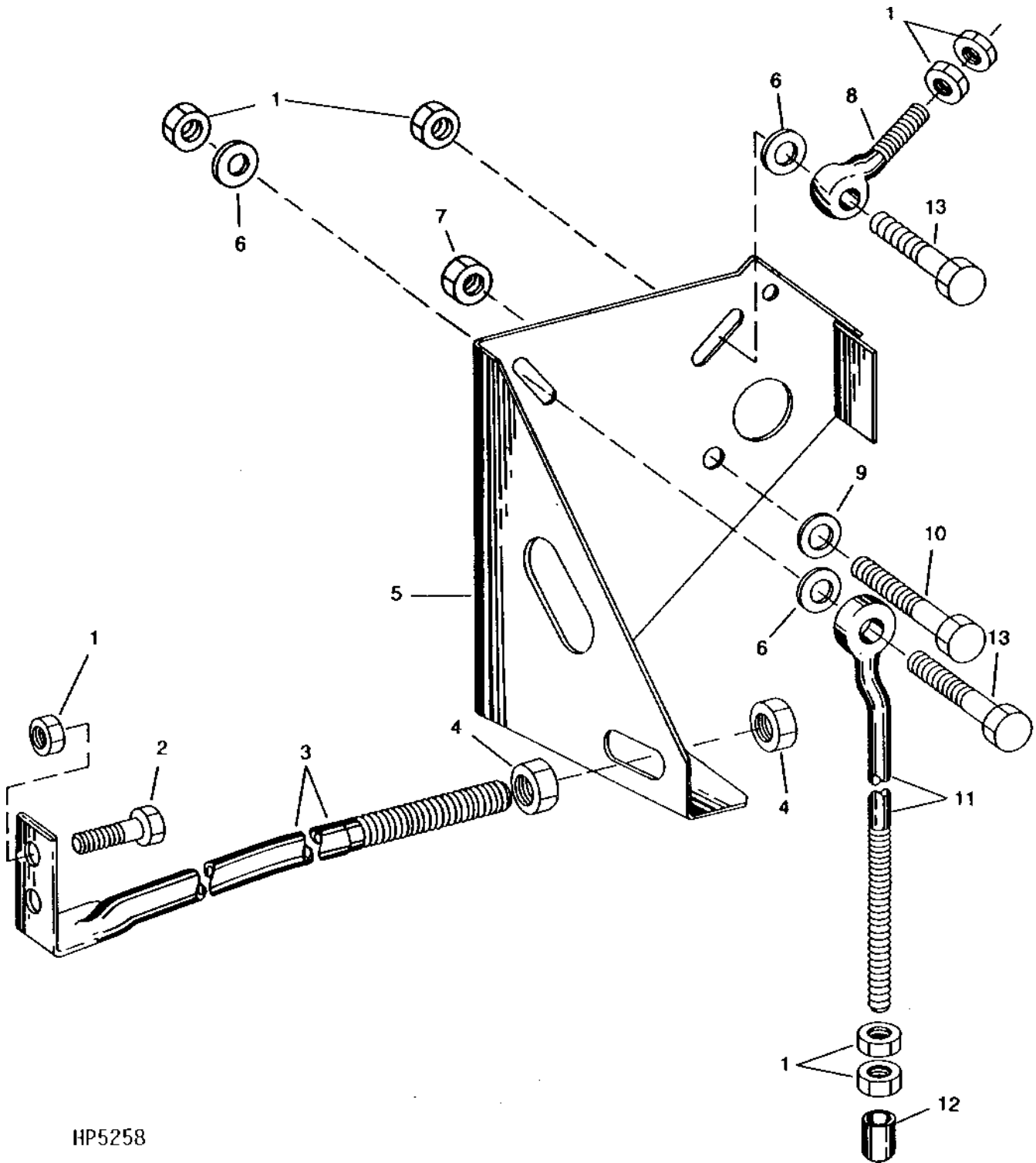
DUAL-RANGE CYLINDER DRIVE INTERMEDIATE SHEAVE - CONTINUED

| KEY | PART NO. | PART NAME | QTY | SERIAL NO. | REMARKS |
|-----|----------|---------------------|-----|---------------|--|
| 1 | H115599 | SHEAVE | 1 | -641842 | (SUB H145955) |
| | H145955 | SHEAVE | 1 | | |
| 2 | 19M7789 | SCREW | 3 | | M12 X 30 |
| 3 | H115759 | BELT | 1 | | (SUB H162629) |
| | H162629 | BELT | 1 | | |
| 4 | JD7759 | LUBRICATION FITTING | 1 | | 1/8" STRAIGHT |
| 5 | H125530 | SHEAVE | 1 | -636857 | (SUB H144038 AND AH106296) |
| | H144038 | SHEAVE | 1 | 636858-646459 | (SUB AH141973) |
| | AH141973 | HALF SHEAVE | 1 | | (INCLUDES H144038, AH106296, JD7759 AND JD7788) |
| 6 | JD7806 | LUBRICATION FITTING | 1 | -641842 | 90° X 19.050 MM LONG (3/4" LONG) 90 DEGREE |
| | JD7788 | LUBRICATION FITTING | 1 | 641843- | 45° X 20.574 MM LONG (0.810" LONG) 45 DEGREE |
| 7 | AH106110 | SEAL | 2 | | |
| 8 | B3118R | SNAP RING | 2 | | |
| 9 | H125528 | BUSHING | 2 | | 50.778 X 55.570 X 37.800 MM (1.999" X 2.188" X 1.488") |
| 10 | AH120907 | HUB | 1 | | |
| 11 | H125533 | CAM | 2 | -635300 | (SUB H141735) |
| | H141735 | CAM | 2 | 635301-642112 | (SUB H145243) |
| | H145243 | CAM | 2 | | |
| 12 | H96227 | WASHER | 1 | | 88.900 X 112.776 X 1.600 MM (3-1/2" X 4.440" X 0.063") |
| 13 | H96232 | WASHER | 1 | | |
| 14 | AH108693 | SPRING ASSEMBLY | 1 | -3JUN96 | (INCLUDES H96226) (SUB AH148893) |
| | AH148893 | SPRING ASSEMBLY | 1 | | (INCLUDES H96226) |
| 15 | AH94854 | SEAL | 1 | -637797 | (SUB AH136497) |
| | AH136497 | SEAL | 1 | | |
| 16 | H107389 | RING | 1 | | |
| 17 | H125531 | HUB | 1 | -641716 | (SUB H146394) |
| | H146394 | HUB | 1 | | |
| 18 | H125391 | SHEAVE | 1 | | |
| 19 | 19M7818 | SCREW | 3 | | M12 X 80 |
| 20 | H115881 | BELT | 1 | | |
| 21 | AH106296 | BREATHER | 1 | 636858- | |

8D11

DRIVES

DUAL-RANGE CYLINDER DRIVE ADJUSTING BRACKET
HP5258 -UN-01JAN94



HP5258

8D12

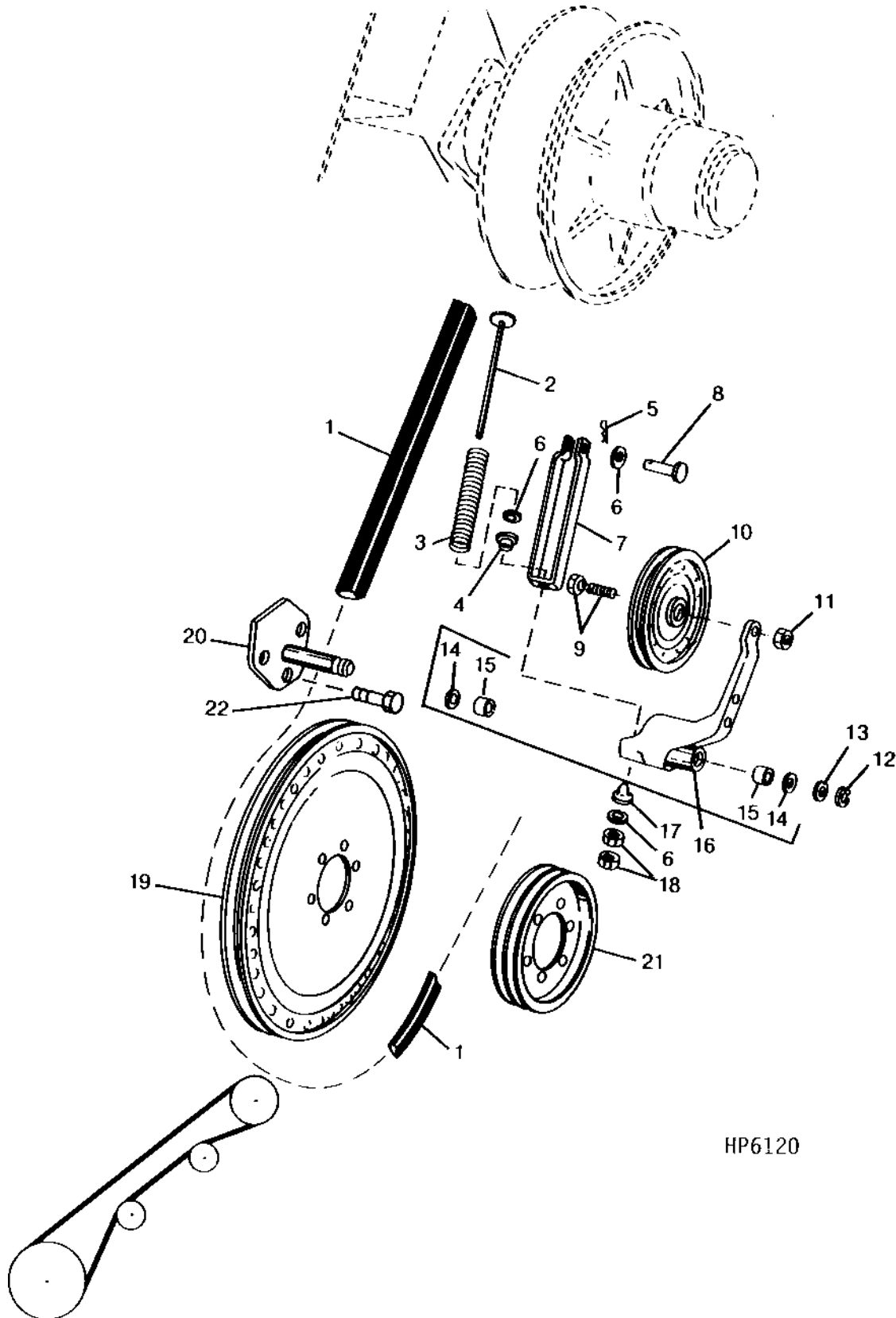
DRIVES

DUAL-RANGE CYLINDER DRIVE ADJUSTING BRACKET - CONTINUED

| KEY | PART NO. | PART NAME | QTY | SERIAL NO. | REMARKS |
|-----|----------|------------|-----|----------------|---------|
| 1 | 14M7299 | FLANGE NUT | 8 | M12 | |
| 2 | 19M7837 | SCREW | 2 | M12 X 110 | |
| 3 | AH126538 | BRACE | 1 | | |
| 4 | 14M7300 | FLANGE NUT | 2 | M20 | |
| 5 | H131482 | SUPPORT | 1 | | |
| 6 | 24M7240 | WASHER | 3 | 13 X 25 X 3 MM | |
| 7 | 14M7291 | FLANGE NUT | 1 | M16 | |
| 8 | H116065 | EYEBOLT | 1 | | |
| 9 | 24M7053 | WASHER | 1 | 17 X 30 X 3 MM | |
| 10 | 19M8046 | CAP SCREW | 1 | M16 X 70 | |
| 11 | H131485 | EYEBOLT | 1 | | |
| 12 | R50770 | PLUG | 1 | | |
| 13 | 19M7791 | SCREW | 2 | M12 X 40 | |

8D13

SECONDARY COUNTERSHAFT DRIVE
HP6120 -UN-21JUL95



HP6120

8D14

DRIVES

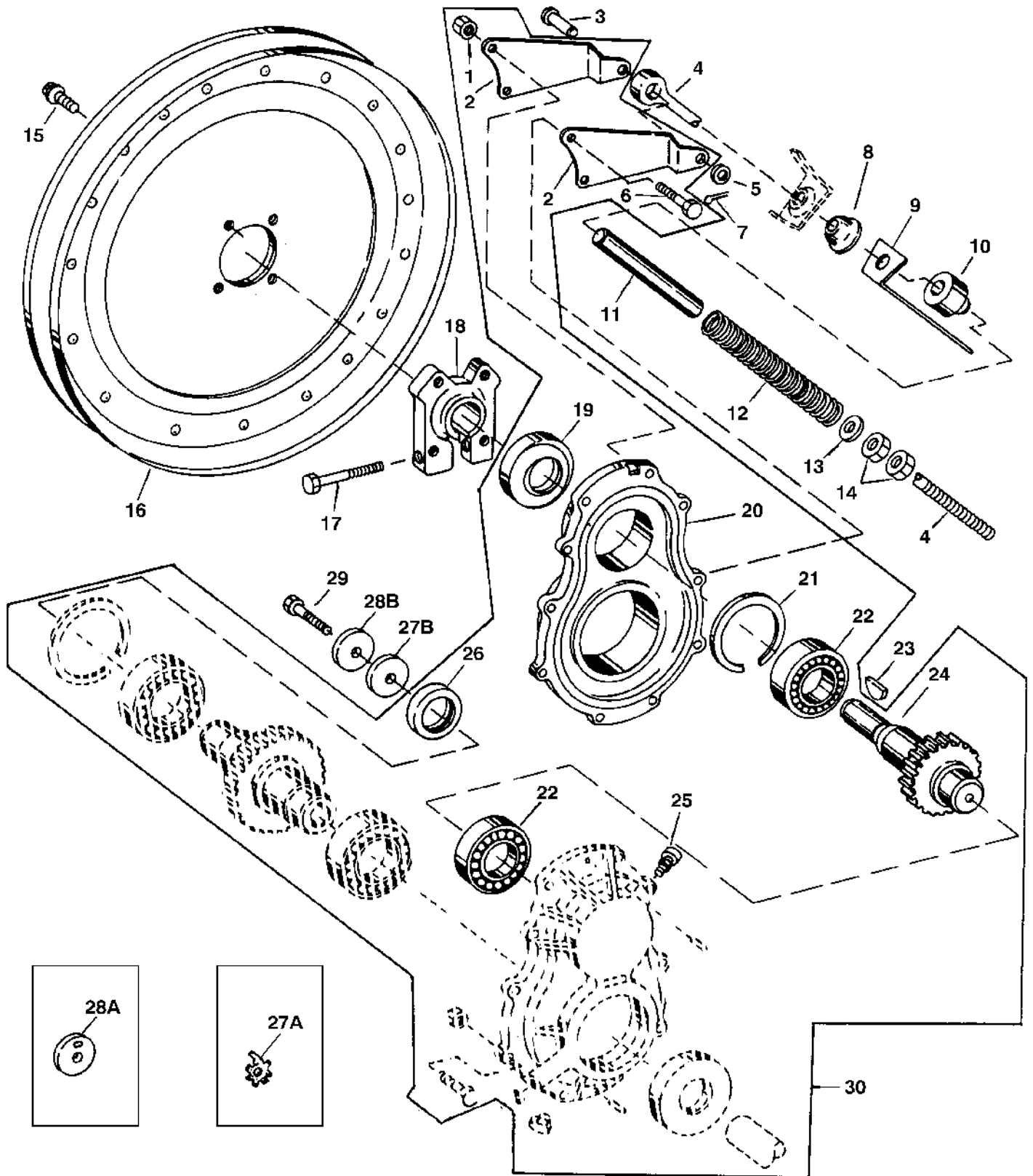
SECONDARY COUNTERSHAFT DRIVE - CONTINUED

| KEY | PART NO. | PART NAME | QTY | SERIAL NO. | REMARKS |
|-----|----------|------------|-----|------------------------------------|---------|
| 1 | H128010 | BELT | 1 | | |
| 2 | AH124826 | STUD | 1 | | |
| 3 | B10604 | SPRING | 1 | | |
| 4 | H97513 | BUSHING | 1 | | |
| 5 | 11M7028 | COTTER PIN | 1 | 5 X 32 MM | |
| 6 | 24M7047 | WASHER | 3 | 13 X 24 X 2.500 MM | |
| 7 | H133667 | CLEVIS | 1 | | |
| 8 | H748DA | PIN | 1 | 12.700 X 28.575 MM (1/2" X 1-1/8") | |
| 9 | 19M7824 | SCREW | 1 | M16 X 60 | |
| 10 | AH97031 | IDLER | 1 | | |
| 11 | 14M7291 | FLANGE NUT | 1 | M16 | |
| 12 | P46402 | SNAP RING | 1 | | |
| 13 | 24M7091 | WASHER | 1 | 26 X 44 X 4 MM | |
| 14 | AA5607R | SEAL | 2 | | |
| 15 | H99147 | BUSHING | 2 | (SUB H171061) | |
| | H171061 | BEARING | 2 | | |
| 16 | AH124828 | ARM | 1 | | |
| 17 | H129207 | PIVOT | 1 | | |
| 18 | 14M7275 | NUT | 2 | M12 | |
| 19 | AH104783 | PULLEY | 1 | | |
| 20 | AH109197 | PIN | 1 | -642112 | |
| | AH139816 | PIN | 1 | 642113- | |
| | AH156051 | SPRING PIN | 1 | 27MAY7- | |
| 21 | H129101 | SHEAVE | 1 | -640300 | |
| | H142143 | SHEAVE | 1 | 640301- | |
| 22 | 19M7784 | SCREW | 3 | M10 X 20 | |

8D15

DRIVES

STRAW WALKER DRIVE GEARCASE
HP6646 -UN-11FEB97



HP6646

8D16

DRIVES

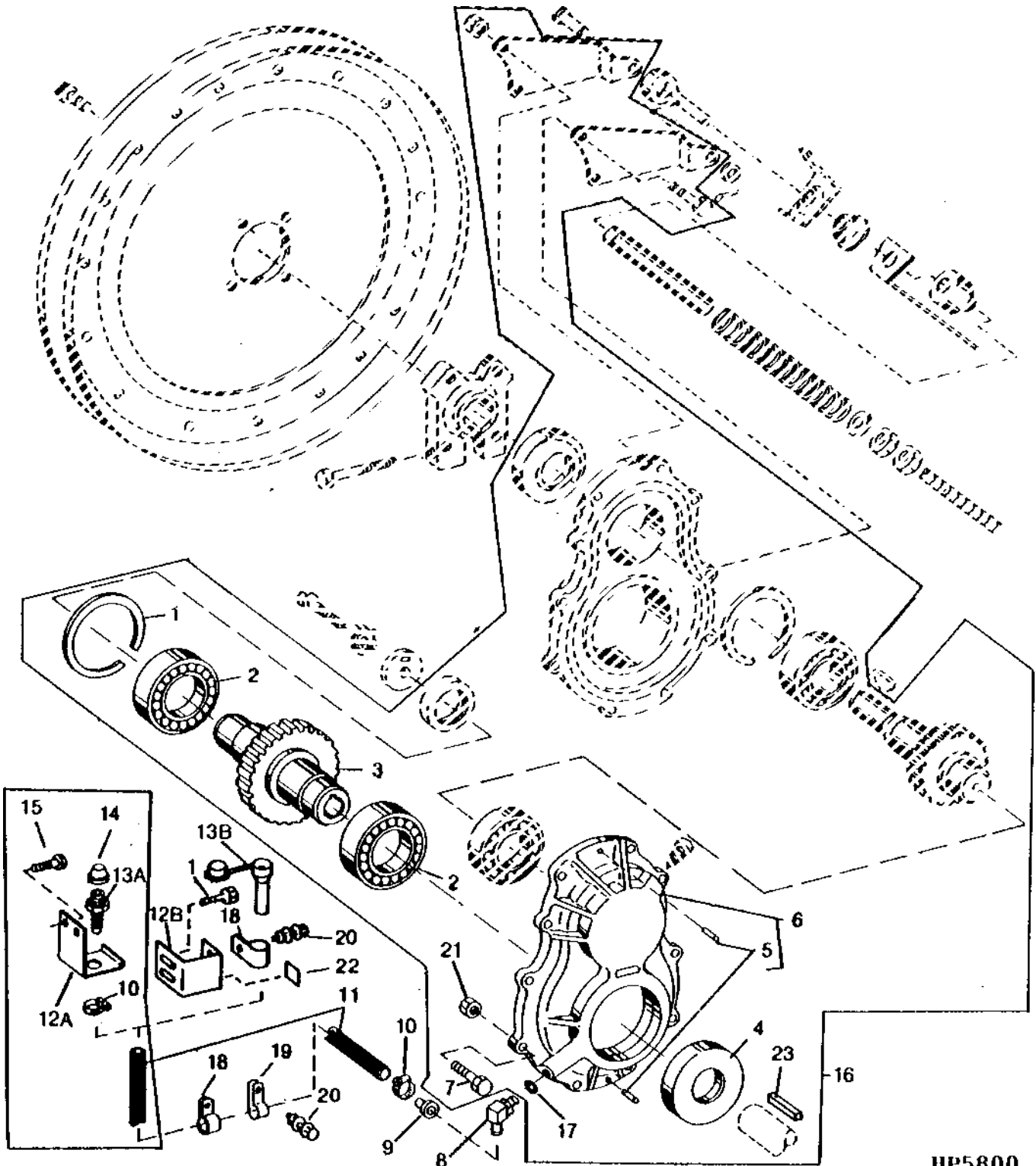
STRAW WALKER DRIVE GEARCASE - CONTINUED

| KEY | PART NO. | PART NAME | QTY | YEAR | REMARKS |
|-----|----------|--------------|-----|---------|---|
| 1 | 14M7298 | FLANGE NUT | 10 | | M8 |
| 2 | H129312 | ARM | 2 | | |
| 3 | 45M7084 | PIN | 1 | | 12 X 35 MM |
| 4 | H129311 | EYEBOLT | 1 | | |
| 5 | 24M7047 | WASHER | 1 | | 13 X 24 X 2.500 MM |
| 6 | 19M8317 | SCREW | 2 | | M8 X 40 |
| 7 | 11M7015 | COTTER PIN | 1 | | 3.200 X 25 MM |
| 8 | H129207 | PIVOT | 1 | | |
| 9 | H135512 | GAUGE | 1 | | |
| 10 | H135395 | SPACER | 1 | | 13 X 24 X 30 MM (0.512" X 0.945" X 1.181") |
| 11 | H134359 | HOSE | 1 | -646507 | (SUB TY22329) |
| | TY22329 | BULK HOSE | AR | | BULK HOSE |
| 12 | H86783 | SPRING | 1 | | |
| 13 | 24M7180 | WASHER | 1 | | 13 X 37 X 3 MM |
| 14 | 14M7275 | NUT | 2 | | M12 |
| 15 | 19M7784 | SCREW | 4 | | M10 X 20 |
| 16 | AH122863 | SHEAVE | 1 | | |
| 17 | 19M7663 | CAP SCREW | 1 | | M8 X 70 |
| 18 | H134760 | HUB | 1 | | |
| 19 | AR90861 | SEAL | 1 | -656941 | (SUB RE20768) |
| | RE20768 | SEAL | 1 | | |
| 20 | AH125653 | GEAR CASE | 1 | -632421 | (SUB AH135573) |
| | AH135573 | GEAR CASE | 1 | | (INCLUDES (2) 34M7038) (USE WITH AR90369, R26375) GEARCASE W/TWO MATCHED HALVES ONLY |
| 21 | R62192 | SNAP RING | 1 | | |
| 22 | JD7686 | BALL BEARING | 2 | | |
| 23 | 26M4228 | SHAFT KEY | 1 | | 8 X 28 MM (0.315" X 1.102") WOODRUFF |
| 24 | H114134 | PINION | 1 | | |
| 25 | U14273 | BREATHER | 1 | | |
| 26 | AH111970 | SEAL | 1 | | |
| 27A | H135622 | WASHER | 1 | -668410 | |
| 27B | N134803 | WASHER | 1 | 668411- | |
| 28A | H135623 | WASHER | 1 | -668410 | |
| 28B | H155973 | SCREW | 1 | 668411- | |
| 29 | H135511 | SCREW | 1 | -668410 | |
| | H155973 | SCREW | 1 | 668411- | |
| 30 | AH134869 | GEAR CASE | 1 | -632421 | (SUB AH135572) |
| | AH135572 | GEAR CASE | 1 | | (USE WITH AR90369 AND R26375) (SUB AH162469) GEARCASE W/TWO MATCHED HALVES AND COMPLETE |
| | AH162469 | GEAR CASE | 1 | | |

8D17

DRIVES

STRAW WALKER DRIVE GEARCASE
HP5800 -UN-01JAN94



HP5800

8D18

DRIVES

STRAW WALKER DRIVE GEARCASE - CONTINUED

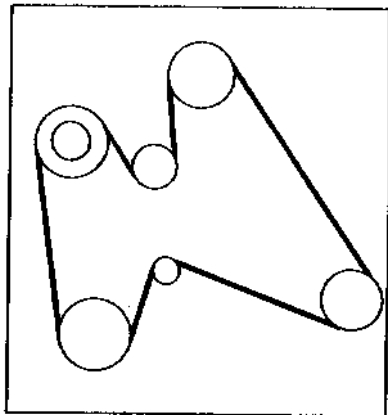
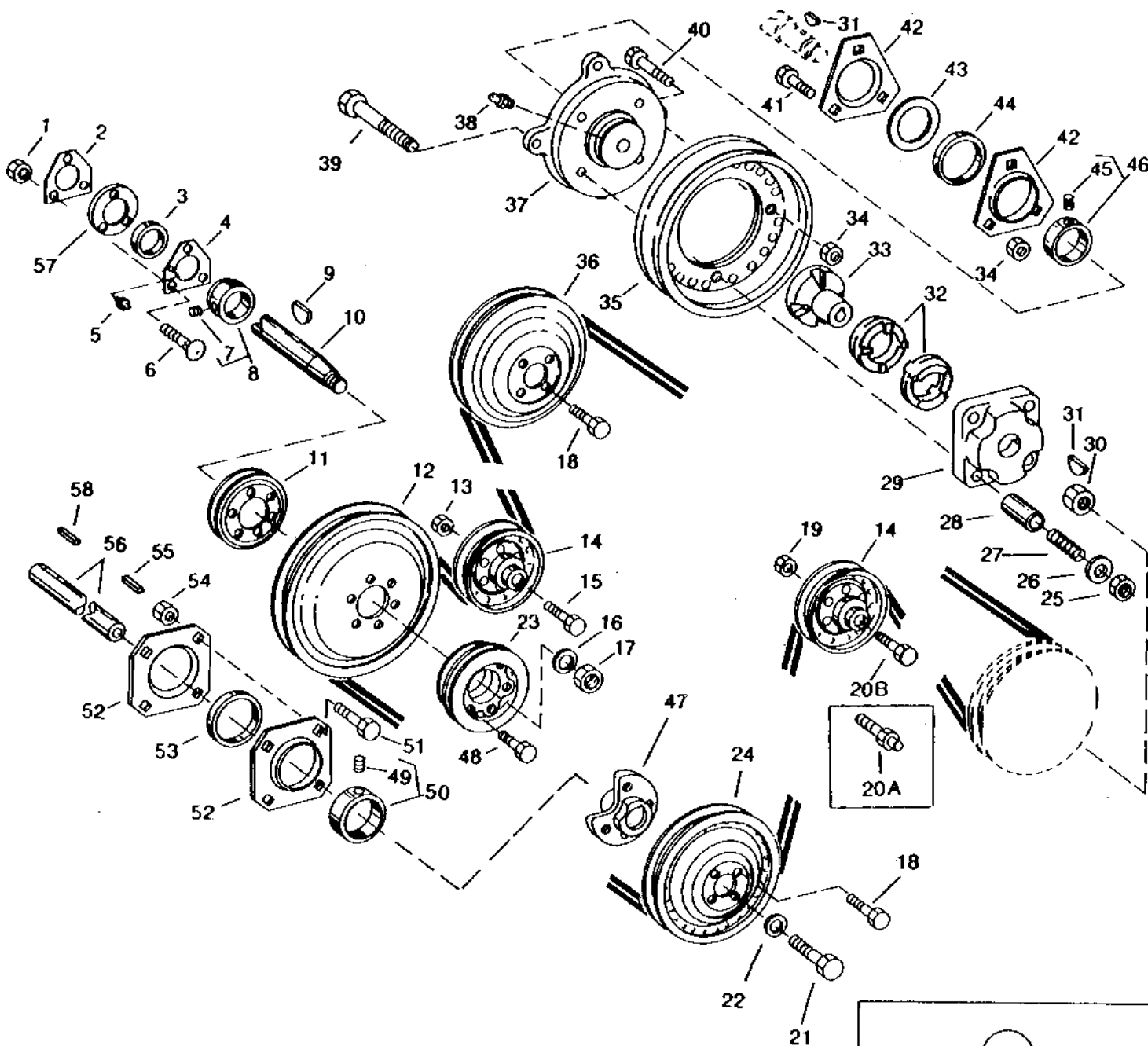
| KEY | PART NO. | PART NAME | QTY | SERIAL NO. | REMARKS |
|-----|----------|----------------|-----|---------------|---|
| 1 | BP13620 | SNAP RING | 1 | | |
| 2 | JD10011 | BALL BEARING | 2 | | |
| 3 | H114100 | GEAR | 1 | | |
| 4 | AH111971 | SEAL | 1 | | |
| 5 | 34M7038 | SPRING PIN | 2 | | 6 X 20 MM |
| 6 | AH125653 | GEAR CASE | 1 | -632421 | (SUB AH135573) |
| | AH135573 | GEAR CASE | 1 | | GEARCASE W/TWO MATCHED HALVES ONLY INCLUDES TWO 34M7038, ALSO REQS. AR90369 ELBOW AND R26375 O-RING |
| 7 | 19M7868 | SCREW | 8 | | M8 X 30 |
| 8 | 15H622 | ELBOW FITTING | 1 | -632421 | |
| | AR90369 | ELBOW FITTING | 1 | 632422- | |
| 9 | N195027 | ADAPTER | 1 | -632421 | |
| 10 | AR21837 | CLAMP | 2 | -662293 | (SUB TY22465) FOR BLACK HOSE -ONE CLAMP W/ CLEAR HOSE |
| | TY22465 | HOSE CLAMP | 2 | | |
| 11 | H133408 | HYDRAULIC HOSE | 1 | -638000 | |
| | H142055 | LINE | 1 | 638001- | |
| 12A | H133409 | HOSE SUPPORT | 1 | -638000 | |
| 12B | H143420 | STOP | 1 | 638001- | |
| 13A | N117501 | HOSE FITTING | 1 | -638003 | |
| 13B | M73346 | OIL TUBE | 1 | 638004- | |
| 14 | 15H582 | FITTING | 1 | | |
| 15 | 37M7083 | SCREW | 2 | | M8 X 12, FOR H133409 HOSE SUPPORT |
| | 37M7058 | SCREW | 2 | | M8 X 20 FOR H143420 STOP |
| 16 | AH134869 | GEAR CASE | 1 | -632421 | (SUB AH135572) |
| | AH135572 | GEAR CASE | 1 | | (SUB AH162469) GEARCASE W/TWO HALVES AND COMPLETE INTERNAL PARTS. REQS. AR90369 ELBOW AND R26375 O-RING |
| | AH162469 | GEAR CASE | 1 | | |
| 17 | R26375 | O-RING | 1 | 632422- | |
| 18 | T38377 | CLIP | 1 | 637364- | FOR BLACK HOSE ON STRAW WALKER GEARBOX |
| 19 | T76719 | CLAMP | 2 | 637364-641050 | FOR CLEAR HOSE ON STRAW WALKER GEARBOX |
| 20 | 19M7867 | SCREW | 2 | | M8 X 25 |
| | 14M7298 | FLANGE NUT | 2 | | M8 |
| 21 | 14M7298 | FLANGE NUT | 10 | | M8 |
| 22 | H143421 | DECAL | 1 | 638005-641050 | (SUB H145706) ALIGN TO BOTTOM EDGE |
| | H145706 | LABEL | 1 | | |
| 23 | H138344 | SHAFT KEY | 1 | | |

8D19

DRIVES

STRAW WALKER, CONVEYOR AUGERS, SIEVE AND CHAFFER DRIVE

HP4591 -UN-01JAN94



HP4591

8D20

DRIVES

STRAW WALKER, CONVEYOR AUGERS, SIEVE AND CHAFFER DRIVE - CONTINUED

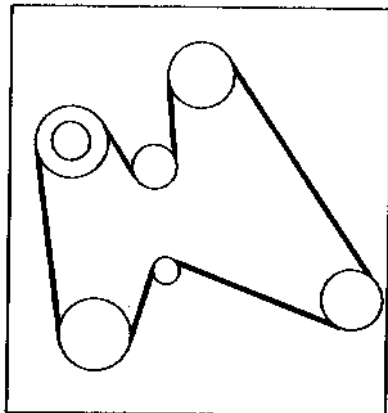
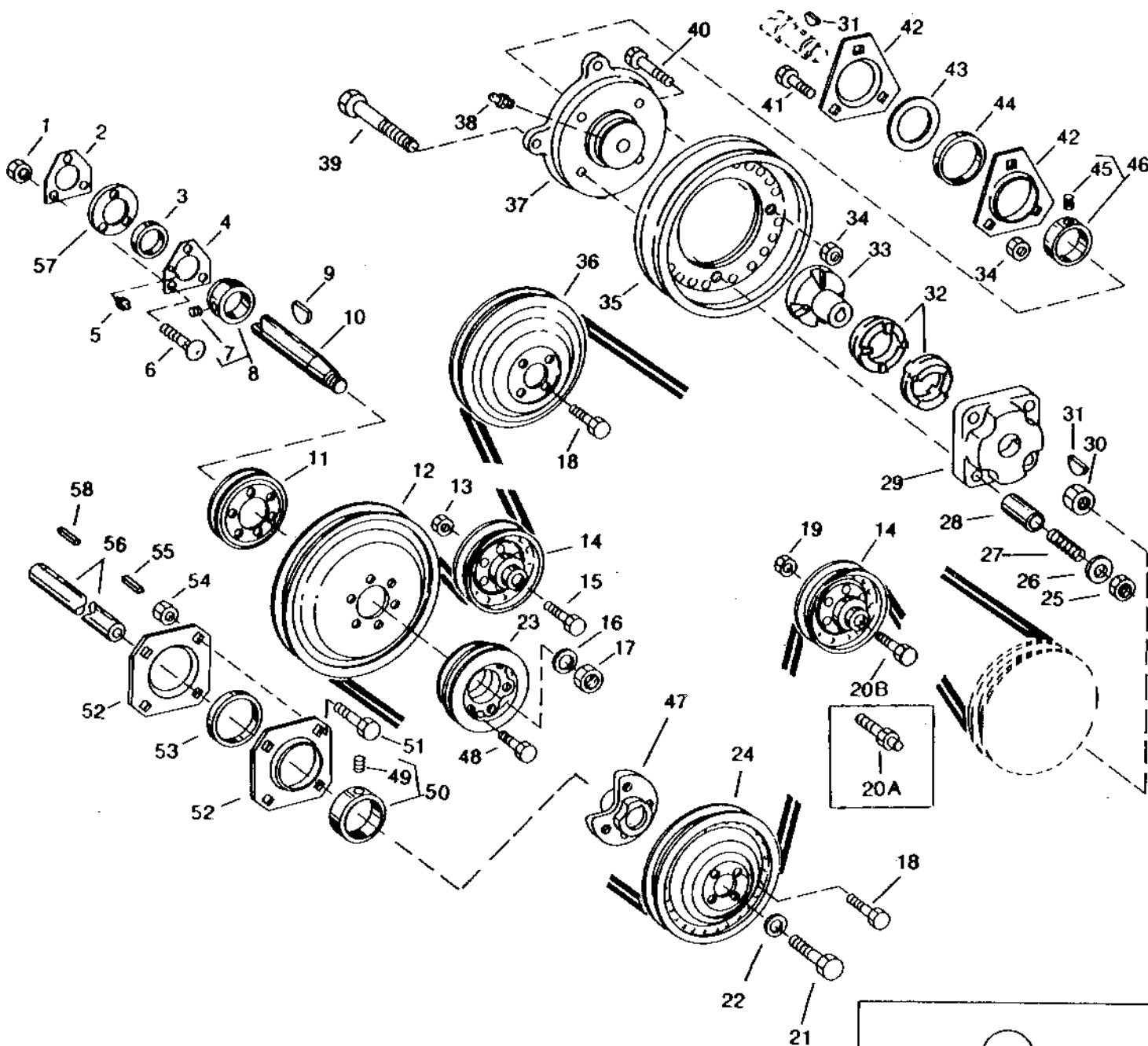
| KEY | PART NO. | PART NAME | QTY | SERIAL NO. | REMARKS |
|-----|----------|--------------------------|-----|------------|---|
| 1 | 14M7296 | FLANGE NUT | 3 | | |
| 2 | H135410 | PRESSED FLANGED HOUSING | 1 | | M10 |
| 3 | AH139296 | BALL BEARING | 1 | | |
| 4 | AH129420 | PRESSED FLANGED HOUSING | 1 | | |
| 5 | JD7846 | LUBRICATION FITTING | 1 | | |
| 6 | 03M7191 | BOLT | 3 | | M10 X 25 |
| 7 | 22M7081 | SET SCREW | 1 | | M10 X 10 |
| 8 | AH133191 | ECCENTRIC LOCKING COLLAR | 1 | | |
| 9 | 26M6787 | SHAFT KEY | 1 | -665300 | 10 X 32 MM, WOODRUFF |
| | H153524 | KEY | 1 | 665301- | WOODRUFF (HARDENED) |
| 10 | H132207 | JACKSHAFT | 1 | | |
| 11 | H131170 | SHEAVE | 1 | | |
| 12 | AH104783 | PULLEY | 1 | | |
| 13 | 14M7291 | FLANGE NUT | 1 | | M16 |
| 14 | AH94450 | IDLER | 2 | | |
| 15 | 19M7824 | SCREW | 1 | | M16 X 60 |
| 16 | 24M7091 | WASHER | 1 | | 26 X 44 X 4 MM |
| 17 | 14M7413 | LOCK NUT | 1 | | M24 |
| 18 | 19M7784 | SCREW | 8 | | M10 X 20 |
| 19 | 14M7291 | FLANGE NUT | 1 | | M16 |
| 20A | H134463 | STUD | 1 | -640300 | |
| 20B | 19M7824 | SCREW | 1 | 640301- | M16 X 60 |
| 21 | 19M7283 | CAP SCREW | 2 | | M16 X 35 |
| 22 | T119912 | WASHER | 2 | | 16.662 X 41.148 X 6.350 MM (21/32" X 1.620" X 1/4") |
| 23 | H129101 | SHEAVE | 1 | -640300 | |
| | H142143 | SHEAVE | 1 | 640301- | |
| 24 | AH126188 | SHEAVE | 1 | | |
| 25 | 14M7400 | LOCK NUT | 4 | | M10 |

8D21

DRIVES

STRAW WALKER, CONVEYOR AUGERS, SIEVE AND CHAFFER DRIVE - CONTINUED

HP4591 -UN-01JAN94



HP4591

8D22

DRIVES

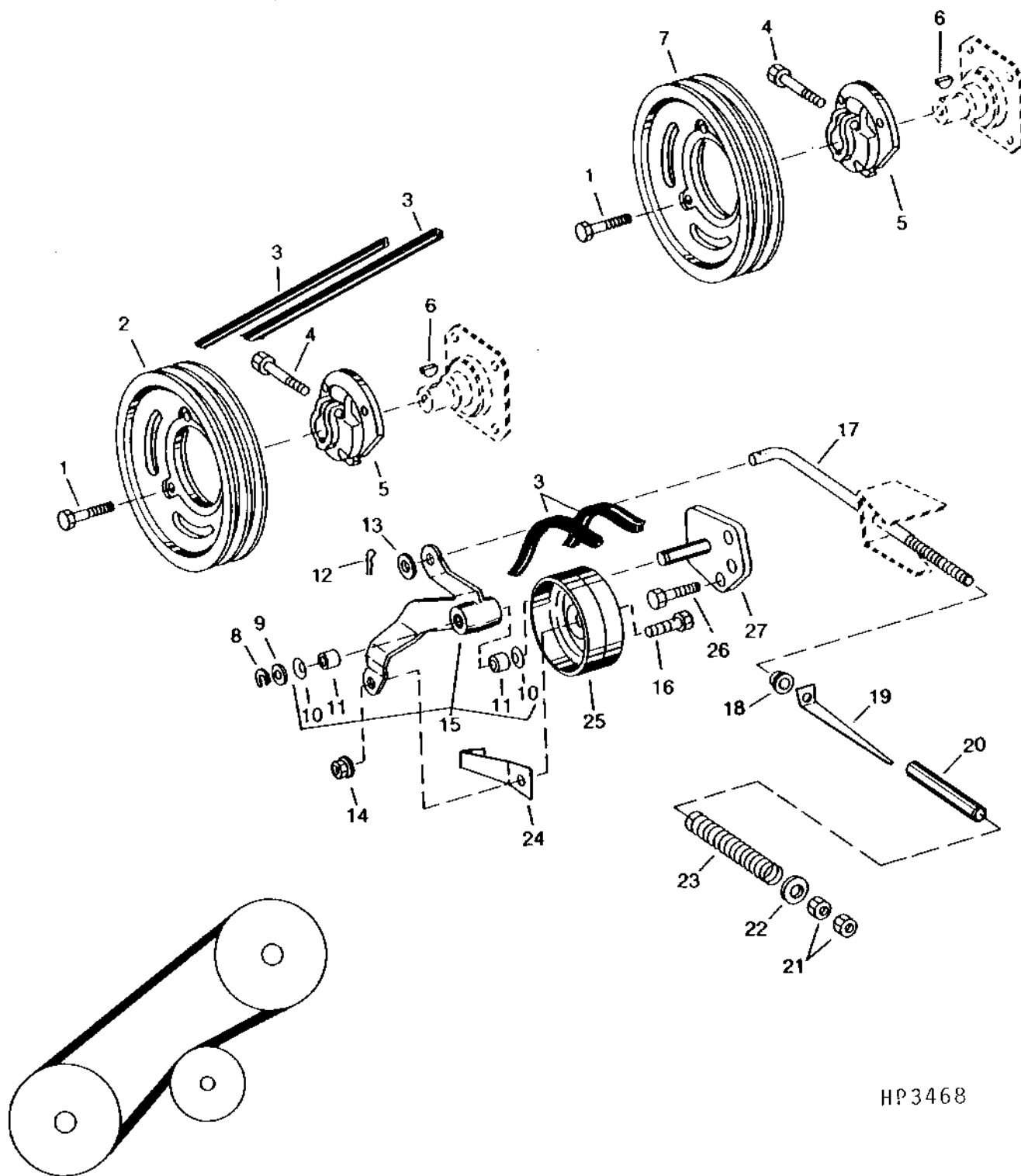
STRAW WALKER, CONVEYOR AUGERS, SIEVE AND CHAFFER DRIVE - CONTINUED

| KEY | PART NO. | PART NAME | QTY | SERIAL NO. | REMARKS |
|-----|----------|--------------------------|-----|------------|--|
| 26 | 24M7101 | WASHER | 4 | | 11 X 34 X 3 MM, (SUB FOR (4) 24H1730) |
| 27 | R56722 | SPRING | 4 | | |
| 28 | H87206 | SPACER | 4 | | 10.338 X 15.875 X 76.200 MM (0.407" X 5/8" X 3") |
| 29 | H89525 | RETAINER | 1 | | |
| 30 | 14M7300 | FLANGE NUT | 1 | | M20 |
| 31 | 26M4226 | SHAFT KEY | 1 | | 5 X 19 MM |
| 32 | H128265 | SLIP CLUTCH | 2 | | |
| 33 | H131098 | HUB | 1 | | |
| 34 | 14M7296 | FLANGE NUT | 4 | | M10 |
| 35 | AH126094 | SHEAVE | 1 | | |
| 36 | AH122863 | SHEAVE | 1 | | |
| 37 | H135423 | HUB | 1 | | |
| 38 | JD7797 | LUBRICATION FITTING | 1 | | |
| 39 | 19M8166 | CAP SCREW | 4 | | M10 X 110 |
| 40 | 19M7786 | SCREW | 4 | | M10 X 30 |
| 41 | 03M7191 | BOLT | 3 | | M10 X 25 |
| 42 | E10018 | PRESSED FLANGED HOUSING | 2 | | |
| 43 | H102533 | SHIM | 2 | -641588 | |
| | H102533 | SHIM | 5 | 641589- | |
| 44 | AH129451 | BALL BEARING | 1 | | |
| 45 | | SET SCREW | 1 | | |
| 46 | AH129452 | ECCENTRIC LOCKING COLLAR | 1 | | |
| 47 | H133603 | HUB | 1 | | |
| 48 | 19M7810 | SCREW | 6 | | M10 X 80 |
| 49 | 22M7081 | SET SCREW | 2 | | |
| 50 | AL14674 | ECCENTRIC LOCKING COLLAR | 2 | | |
| 51 | 03M7197 | BOLT | 8 | -641464 | M12 X 25 |
| | 03M7198 | BOLT | 8 | 641465- | M12 X 30 |
| 52 | H133621 | PRESSED FLANGED HOUSING | 4 | | |
| 53 | JD39109 | BALL BEARING | 2 | | |
| 54 | 14M7299 | FLANGE NUT | 16 | | M12 |
| 55 | | SHAFT KEY | 1 | | M6 X 50 MM (CUT FROM H150268) |
| 56 | H133597 | SHAFT | 1 | | CLEANING SHOE SHAFT |
| 57 | H105578 | SHIM | 1 | | |
| 58 | | SHAFT KEY | 1 | | M6 X 100 MM (CUT FROM H150268) |
| .. | H131169 | BELT | 1 | | |

8D23

DRIVES

BEATER DRIVE, SHEAVES AND TIGHTENER
HP3468 -UN-01JAN94



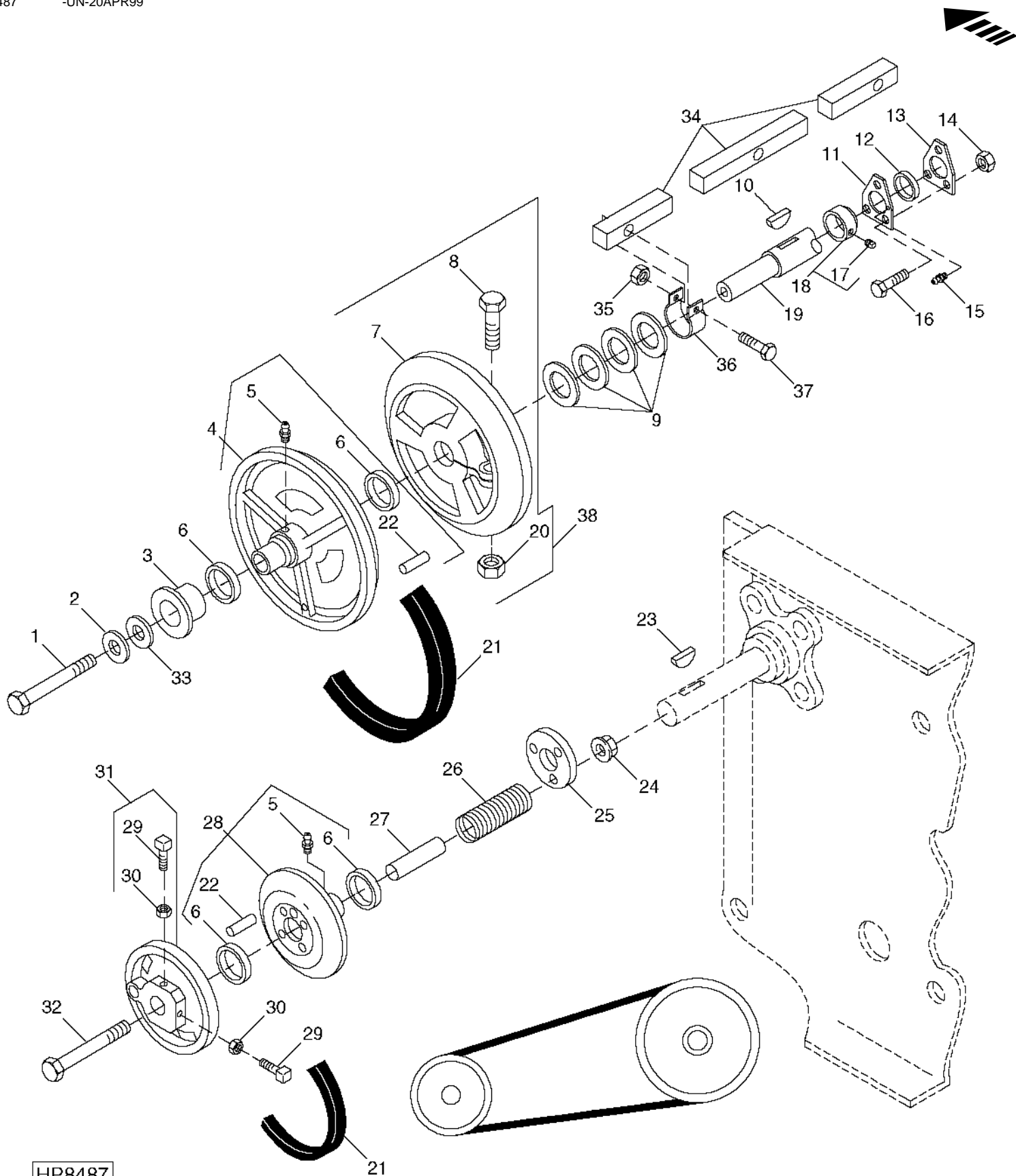
HP3468

BEATER DRIVE, SHEAVES AND TIGHTENER - CONTINUED

| KEY | PART NO. | PART NAME | QTY | SERIAL NO. | REMARKS |
|-----|----------------|------------------------------------|----------|------------|--------------------------------------|
| 1 | 19M7785 | SCREW | 6 | | M10 X 25 |
| 2 | H125558 | SHEAVE | 2 | | FOR 100 PERCENT BEATER DRIVE |
| | H135849 | SHEAVE | 1 | | FOR 75 PERCENT BEATER DRIVE |
| 3 | AH120918 | BELT | 1 | -640300 | (SUB AH139436) FOR 100° BEATER DRIVE |
| | AH139436 | BELT SET | 1 | | FOR 100° BEATER DRIVE |
| | AH131960 | BELT | 1 | | (SUB AH163931) FOR 75° BEATER DRIVE |
| | AH163931 | BELT | 1 | | FOR 75° BEATER DRIVE |
| 4 | 19M7808 | SCREW | 2 | | M10 X 65 |
| 5 | H128327 | HUB | 2 | | |
| 6 | 26M6787 | SHAFT KEY | 2 | | 10 X 32 MM, WOODRUFF |
| 7 | H135850 | SHEAVE | 1 | | FOR 75 PERCENT BEATER DRIVE |
| 8 | P46402 | SNAP RING | 1 | | |
| 9 | 24M7091 | WASHER | 1 | | 26 X 44 X 4 MM |
| 10 | AA5607R | SEAL | 2 | | |
| 11 | H99147 | BUSHING | 2 | | (SUB H171061) |
| | H171061 | BEARING | 2 | | |
| 12 | 11M7021 | COTTER PIN | 1 | | 4 X 25 MM |
| 13 | 24M7047 | WASHER | 1 | | 13 X 24 X 2.500 MM |
| 14 | 14M7299 | FLANGE NUT | 1 | | M12 |
| 15 | AH131508 | ARM | 1 | | |
| 16 | 19M7817 | SCREW | 1 | | M12 X 70 |
| 17 | H125560 | BOLT | 1 | | |
| 18 | H129207 | PIVOT | 1 | | |
| 19 | H114379 | GAUGE | 1 | -666737 | |
| | H140944 | GAUGE | 1 | 666738- | |
| 20 | H116916 | HOSE | 1 | -646507 | (SUB TY22326) |
| | TY22326 | BULK HOSE | 1 | | BULK HOSE |
| 21 | 14M7275 | NUT | 2 | | M12 |
| 22 | 24M7180 | WASHER | 1 | | 13 X 37 X 3 MM |
| 23 | H82418 | SPRING | 1 | | |
| 24 | H94386 | BRACKET | 2 | | |
| 25 | AH111447 | IDLER | 1 | -646522 | (SUB AH141762) |
| | AH141762 | IDLER | 1 | | |
| 26 | 19M7784 | SCREW | 3 | | M10 X 20 |
| 27 | AH109197 | PIN | 1 | -27MAY7 | |
| | AH156051 | SPRING PIN | 1 | 27MAY7- | |
| .. | BH78623 | COMPLETE GOODS/SHIP. BUNDLE | 1 | | 75 PERCENT BEATER DRIVE |

8E1

SEPARATOR FAN DRIVE
HP8487 -UN-20APR99



HP8487

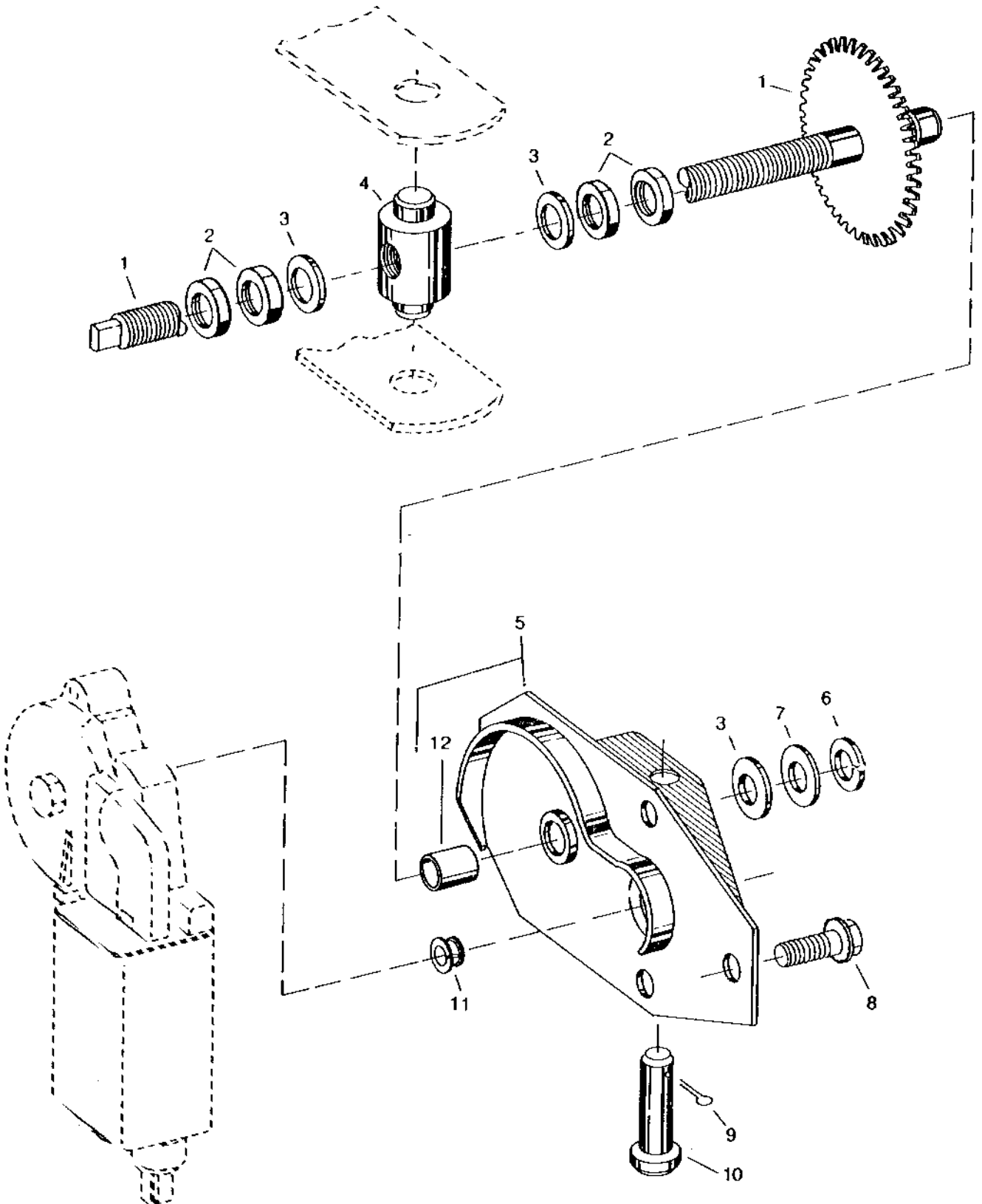
SEPARATOR FAN DRIVE - CONTINUED

| KEY | PART NO. | PART NAME | QTY | SERIAL NO. | REMARKS |
|-----|----------------|------------------------------------|----------|------------|---|
| 1 | 19M7786 | SCREW | 1 | | M10 X 30 |
| 2 | 24H1314 | WASHER | 1 | | 13/32" X 1-3/4" X 7/64" |
| 3 | AH124050 | THROW-OUT BEARING | 1 | | |
| 4 | AH127496 | SHEAVE | 1 | -670300 | 401 MM O.D.(750-1350 RPM) |
| | AH131979 | SHEAVE | 1 | -670300 | 289 MM O.D. (490-980 RPM) OPT. |
| | AH146463 | HALF SHEAVE | 1 | 670301- | 401 MM O.D. (750-1350 RPM) |
| | AH146506 | HALF SHEAVE | 1 | 670301- | (SUB AH153040) 289 MM O.D. (490-980 RPM) OPT |
| | AH153040 | SHEAVE | 1 | | 289 MM O.D.(490-980)OPT. |
| 5 | JD7759 | LUBRICATION FITTING | 2 | | 1/8" STRAIGHT |
| 6 | AH14080 | SEAL | 4 | | |
| 7 | H132298 | SHEAVE | 1 | -655332 | 401 MM O.D. (750-1350 RPM) (SUB AH134873) |
| | H137266 | SHEAVE | 1 | -670300 | 289 MM O.D. (490-980 RPM) OPT. |
| | AH149357 | HALF SHEAVE | 1 | 670301- | 289 MM O.D. (490-980 RPM) OPT. |
| 8 | 19M8112 | SCREW | 1 | | M12 X 55 |
| 9 | 24H1512 | WASHER | 8 | | 1-13/32" X 2" X 0.032" |
| 10 | 26M6787 | SHAFT KEY | 1 | -665300 | 10 X 32 MM, WOODRUFF |
| | H153524 | KEY | 1 | 665301- | WOODRUFF (HARDENED) |
| 11 | AH129420 | PRESSED FLANGED HOUSING | 1 | | |
| 12 | AH139296 | BALL BEARING | 1 | | |
| 13 | H135410 | PRESSED FLANGED HOUSING | 1 | | |
| 14 | 14M7296 | FLANGE NUT | 3 | | M10 |
| 15 | JD7846 | LUBRICATION FITTING | 1 | | 45 DEGREE |
| 16 | 03M7191 | BOLT | 3 | | M10 X 25 |
| 17 | 22M7081 | SET SCREW | 1 | | M10 X 10 |
| 18 | AH133191 | ECCENTRIC LOCKING COLLAR | 1 | | |
| 19 | H132207 | JACKSHAFT | 1 | | |
| 20 | 14M7299 | FLANGE NUT | 1 | | M12 |
| 21 | H137264 | BELT | 1 | -670300 | (490-980 RPM) OPT. SPEED |
| | H140404 | BELT | 1 | -670300 | (SUB FOR H135417) (750-1350 RPM) STD. SPEED |
| | H152146 | BELT | 1 | 670301- | (750-1600 RPM) STD. SPEED |
| | H152180 | BELT | 1 | 670301- | (490-980 RPM) OPT. SPEED |
| 22 | H100796 | SPRING PIN | 2 | | 15.875 X 69.850 MM (5/8" X 2-3/4") |
| | R1964R | DOWEL PIN | 2 | | FRENCH ONLY |
| 23 | 26M6731 | SHAFT KEY | 1 | | 6 X 25 MM (0.236" X 0.984") WOODRUFF |
| 24 | 14M7396 | LOCK NUT | 4 | | M8 |
| 25 | H135599 | WASHER | 1 | | |
| 26 | H93399 | SPRING | 4 | | |
| 27 | H133489 | BUSHING | 4 | | 8.630 X 11.110 X 78.500 MM (0.340" X 0.437" X 3.091") |
| 28 | AH131248 | SHEAVE | 1 | -670300 | |
| | AH146461 | HALF SHEAVE | 1 | 670301- | INNER DRIVE |
| 29 | H138435 | SET SCREW | 2 | | M10 X 25 |
| 30 | 14M7152 | NUT | 2 | | M10 |
| 31 | AH131249 | SHEAVE | 1 | -670300 | |
| | AH146462 | HALF SHEAVE | 1 | 670301- | OUTER DRIVE |
| 32 | 19M7873 | SCREW | 4 | | M8 X 110 |
| 33 | 24H1307 | WASHER | AR | | 13/32" X 1" X 1/16" |
| 34 | H137816 | STRIPPER | 1 | | |
| 35 | 14M7397 | LOCK NUT | 6 | | M6 |
| 36 | H137815 | CLAMP | 6 | | |
| 37 | 19M7862 | SCREW | 6 | | M6 X 20 |
| 38 | AH134873 | SHEAVE | 1 | -670300 | INCLUDES KEYS 7, 8 AND 20 |
| | AH149356 | HALF SHEAVE | 1 | 670301- | (INCLUDES KEY 7, 8 AND 20) INNER DRIVE |
| .. | AH138893 | KIT | 1 | -640300 | (SUB (2) H137817) |
| .. | AH138895 | KIT | 1 | -640300 | (SUB (2) H137816) |
| .. | H137817 | STRIPPER | 2 | | |
| .. | BH81191 | COMPLETE GOODS/SHIP. BUNDLE | 1 | | SLOW SPEED FAN DRIVE (670301-) |

FAN DRIVE SPEED CONTROL LINKAGE

(-640300)

HP3783 -UN-01JAN94



HP3783

8E4

DRIVES

FAN DRIVE SPEED CONTROL LINKAGE - CONTINUED

(-640300)

| KEY | PART NO. | PART NAME | QTY | SERIAL NO. | REMARKS |
|-----|----------|--------------------|-----|---------------|---------------------------|
| 1 | AH128384 | SHAFT | 1 | | |
| 2 | 14M7382 | NUT | 4 | M16 | |
| 3 | H140397 | THRUST WASHER | 3 | | |
| 4 | H133199 | TRUNNION | 1 | | |
| 5 | AH128383 | SUPPORT | 1 | -638115 | (SUB AH128385) |
| | AH128385 | SUPPORT | 1 | 638116-655300 | (SUB AH143904) |
| | AH143904 | SUPPORT | 1 | | |
| 6 | H25099 | SNAP RING | 1 | | |
| 7 | H139132 | SPACER | 3 | | |
| 8 | N14820 | SELF-LOCKING SCREW | 2 | -655300 | |
| | 19M8321 | SCREW | 3 | 655301- | M6 X 45 |
| | 14M7303 | FLANGE NUT | 3 | 655301- | M6 |
| 9 | 11M7059 | COTTER PIN | 1 | | 3.200 X 20 MM |
| 10 | 45M7043 | PIN | 1 | -655300 | 12 X 60 MM, (SUB 45M7045) |
| | 45M7045 | PIN | 1 | | 12 X 90 MM |
| 11 | H89515 | WASHER | 1 | | |
| 12 | H91788 | BUSHING | 1 | | |

8E6

DRIVES

FAN DRIVE SPEED CONTROL LINKAGE - CONTINUED
(640301-655300)

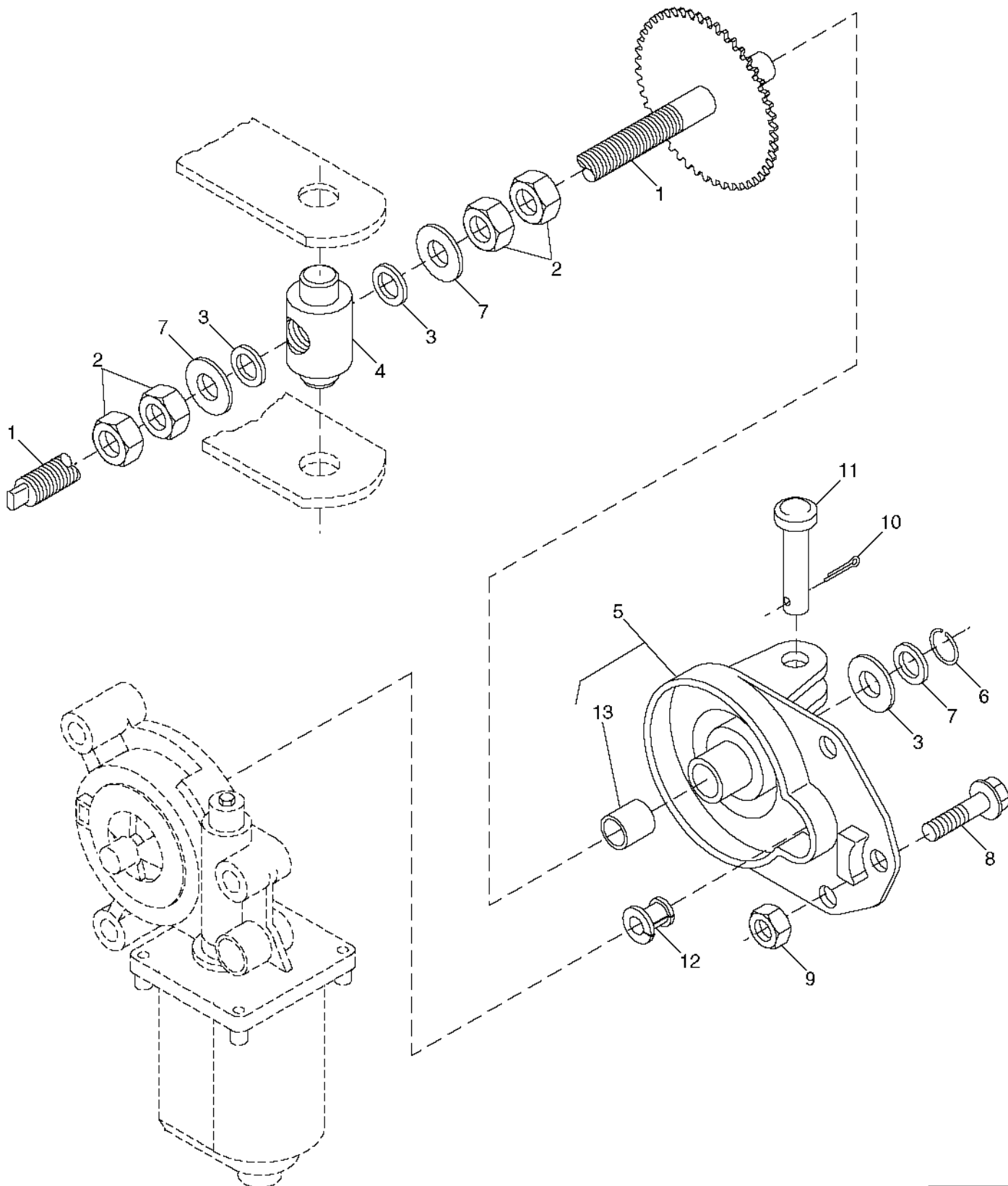
| KEY | PART NO. | PART NAME | QTY | SERIAL NO. | REMARKS |
|-----|----------|--------------------|-----|------------|---------------------------------|
| 1 | AH128384 | SHAFT | 1 | | |
| 2 | 14M7382 | NUT | 4 | | M16 |
| 3 | H140397 | THRUST WASHER | 3 | | |
| 4 | H133199 | TRUNNION | 1 | | |
| 5 | AH128385 | SUPPORT | 1 | -655300 | (SUB AH143904) |
| | AH143904 | SUPPORT | 1 | | |
| 6 | H25099 | SNAP RING | 1 | | |
| 7 | H139132 | SPACER | 3 | | |
| 8 | N14820 | SELF-LOCKING SCREW | 1 | -655300 | |
| | 19M8321 | SCREW | 1 | 655301- | M6 X 45 |
| | 14M7303 | FLANGE NUT | 1 | 655301- | M6 |
| 9 | 11M7059 | COTTER PIN | 1 | | 3.200 X 20 MM (0.126" X 0.787") |
| 10 | 45M7043 | PIN | 1 | -655300 | 12 X 60 MM, (SUB 45M7045) |
| | 45M7045 | PIN | 1 | | 12 X 90 MM |
| 11 | H89515 | WASHER | 1 | | |
| 12 | H91788 | BUSHING | 1 | | |

8E7

DRIVES

FAN DRIVE SPEED CONTROL LINKAGE

(655301-)
HP7550 -UN-16AUG99

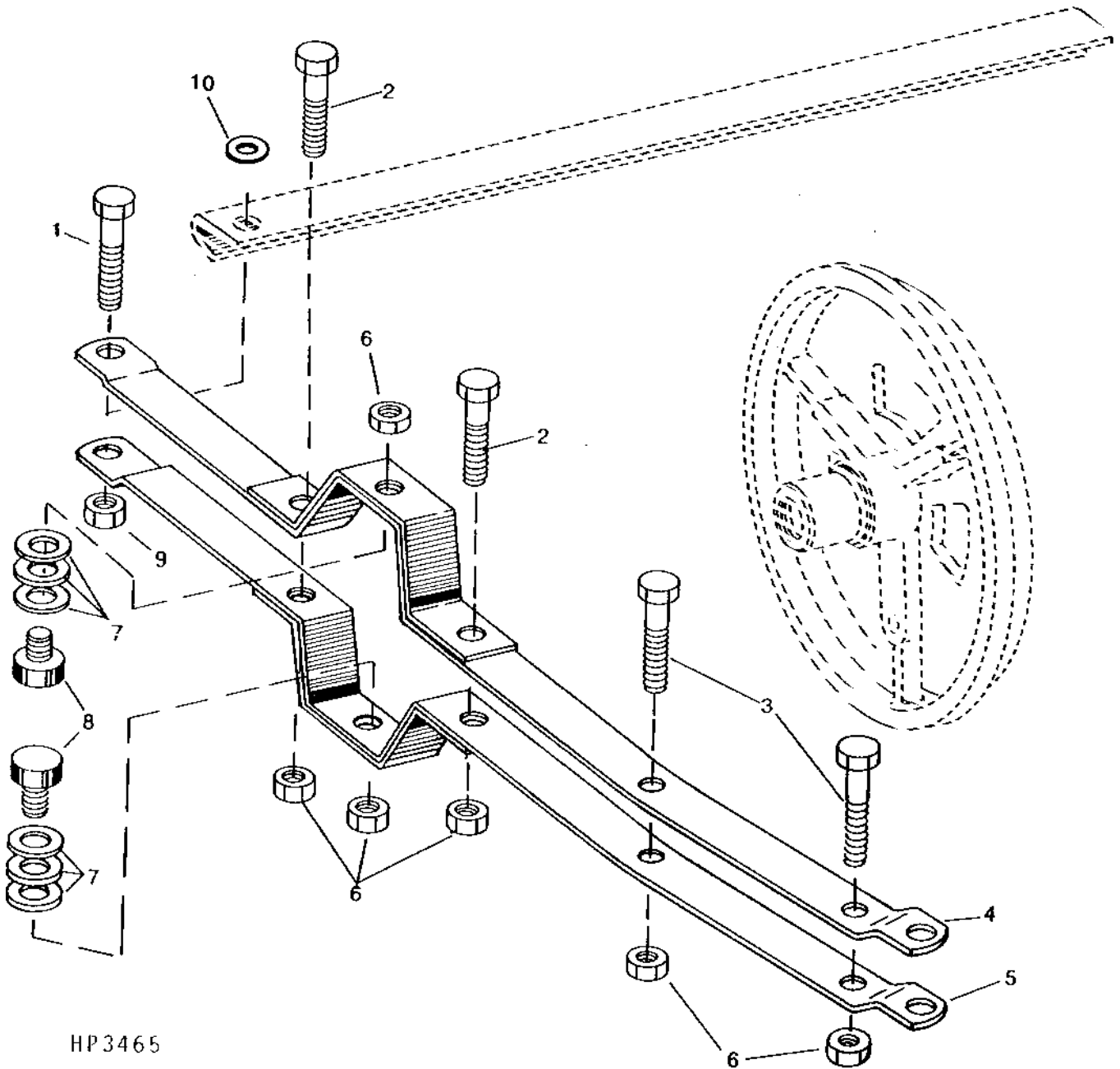


HP7550

FAN DRIVE SPEED CONTROL LINKAGE - CONTINUED
(655301-)

| KEY | PART NO. | PART NAME | QTY | SERIAL NO. | REMARKS |
|-----|----------|---------------|-----|------------|-------------------|
| 1 | AH128384 | SHAFT | 1 | | |
| 2 | 14M7382 | NUT | 4 | | M16 |
| 3 | H140397 | THRUST WASHER | 3 | | |
| 4 | H133199 | TRUNNION | 1 | | |
| 5 | AH143904 | SUPPORT | 1 | | |
| 6 | H25099 | SNAP RING | 1 | | |
| 7 | H139132 | SPACER | 3 | | |
| 8 | 19M8321 | SCREW | 3 | | M6 X 45 |
| 9 | 14M7303 | FLANGE NUT | 3 | -655803 | M6, (SUB 14M7165) |
| | 14M7165 | LOCK NUT | 3 | | M6 |
| 10 | 11M7059 | COTTER PIN | 1 | | 3.200 X 20 MM |
| 11 | 45M7045 | PIN | 1 | | 12 X 90 MM |
| 12 | H89515 | WASHER | 1 | | |
| 13 | H91788 | BUSHING | 1 | | |

FAN DRIVE SPEED CONTROL SHEAVE LINKAGE
HP3465 -UN-01JAN94



HP3465

8E10

DRIVES

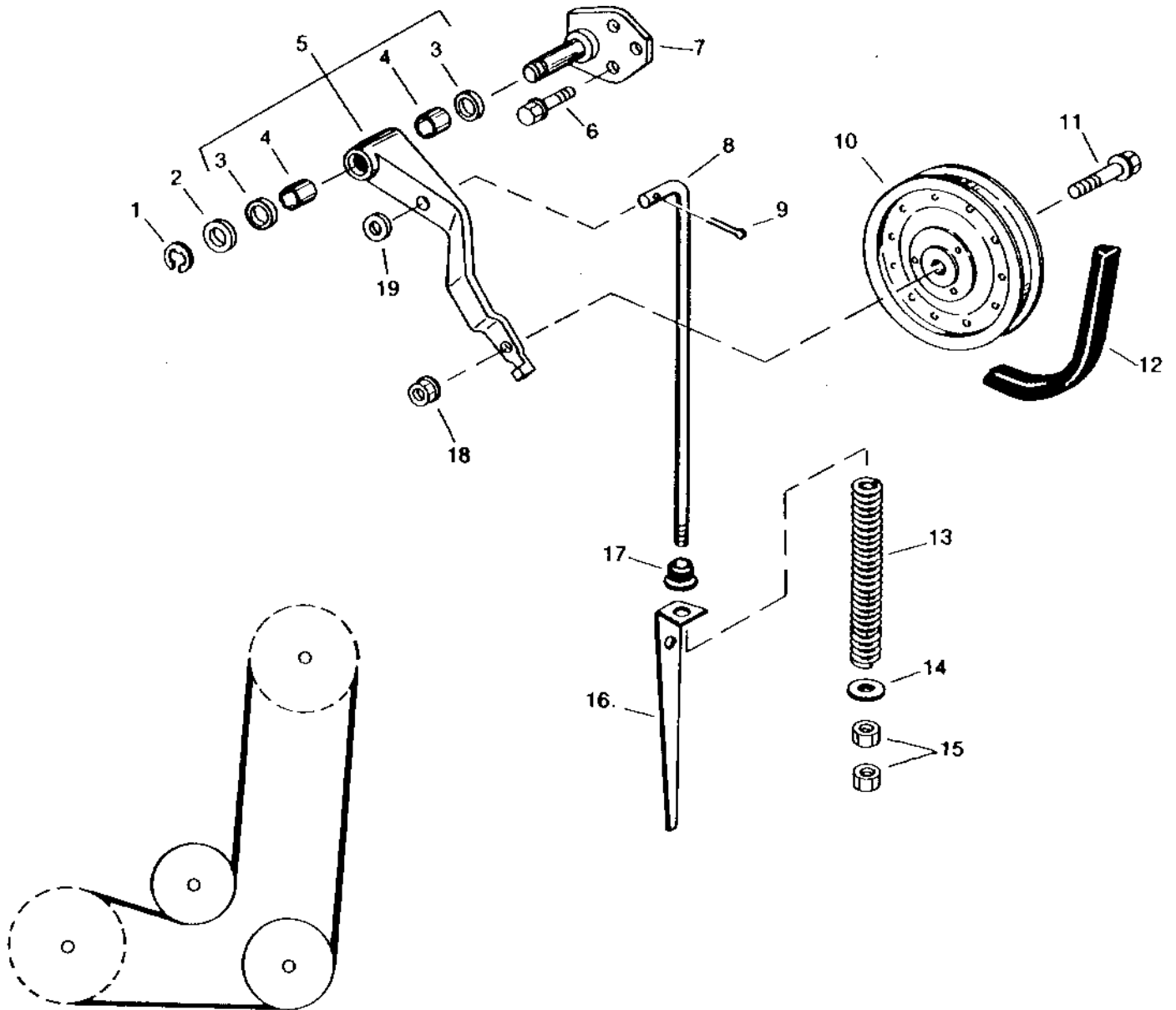
FAN DRIVE SPEED CONTROL SHEAVE LINKAGE - CONTINUED

| KEY | PART NO. | PART NAME | QTY | SERIAL NO. | REMARKS |
|-----|----------|------------|-----|------------|------------------------|
| 1 | 19M7868 | SCREW | 1 | | M8 X 30 |
| 2 | 19M7790 | SCREW | 2 | | M12 X 35 |
| 3 | 19M7788 | SCREW | 2 | | M12 X 25 |
| 4 | AH134729 | ARM | 1 | | |
| 5 | AH134730 | ARM | 1 | | |
| 6 | 14M7299 | FLANGE NUT | 6 | | M12 |
| 7 | 24H1882 | WASHER | 6 | | 17/32" X 3/4" X 0.060" |
| 8 | 19M8127 | SCREW | 2 | -641944 | M12 X 30 |
| | 19M8169 | SCREW | 2 | 641945- | M12 X 30 |
| 9 | 14M7298 | FLANGE NUT | 1 | | M8 |
| 10 | 28H1511 | WASHER | 1 | | 0.364" X 0.540" X 1/4" |

8E11

FEEDER HOUSE DRIVE TIGHTENER

HP3469 -UN-01JAN94



HP3469

8E12

DRIVES

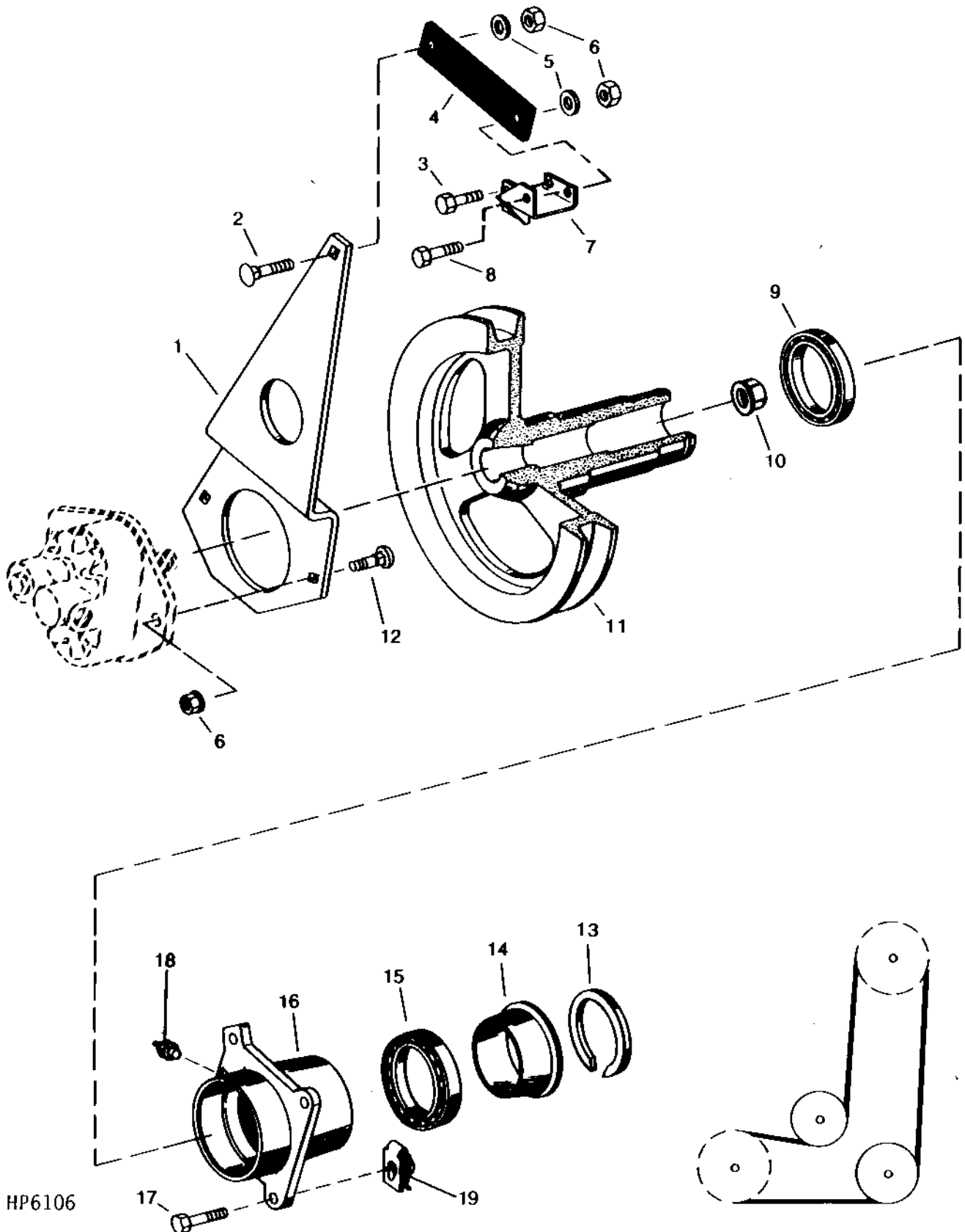
FEEDER HOUSE DRIVE TIGHTENER - CONTINUED

| KEY | PART NO. | PART NAME | QTY | SERIAL NO. | REMARKS |
|-----|----------|------------|-----|------------|---------------------------|
| 1 | P46402 | SNAP RING | 1 | | |
| 2 | 24M7091 | WASHER | 1 | | 26 X 44 X 4 MM |
| 3 | AA5607R | SEAL | 2 | | |
| 4 | H99147 | BUSHING | 2 | | (SUB H171061) |
| | H171061 | BEARING | 2 | | |
| 5 | AH128903 | ARM | 1 | | |
| 6 | 19M7784 | SCREW | 3 | | M10 X 20 |
| 7 | AH109197 | PIN | 1 | | |
| | AH156051 | SPRING PIN | 1 | 27MAY7- | |
| 8 | H126169 | BOLT | 1 | | |
| 9 | 11M7028 | COTTER PIN | 1 | | 5 X 32 MM |
| 10 | AH94450 | IDLER | 1 | | |
| 11 | 19M8046 | CAP SCREW | 1 | | M16 X 70 |
| 12 | H125565 | BELT | 1 | -637954 | |
| | H140160 | BELT | 1 | 637955- | |
| 13 | N61654 | SPRING | 1 | | |
| 14 | 24H1373 | WASHER | 1 | | 21/32" X 1-9/16" X 0.180" |
| 15 | 14M7276 | NUT | 2 | | M16 |
| 16 | H116862 | GAUGE | 1 | | |
| 17 | H129208 | PIVOT | 1 | | |
| 18 | 14M7291 | FLANGE NUT | 1 | | M16 |
| 19 | 24M7053 | WASHER | 1 | | 17 X 30 X 3 MM |

8E13

DRIVES

REEL / BELT PICKUP CHARGE PUMP MOUNTING AND SHEAVE
HP6106 -UN-27JUN95



HP6106

8E14

DRIVES

REEL / BELT PICKUP CHARGE PUMP MOUNTING AND SHEAVE - CONTINUED

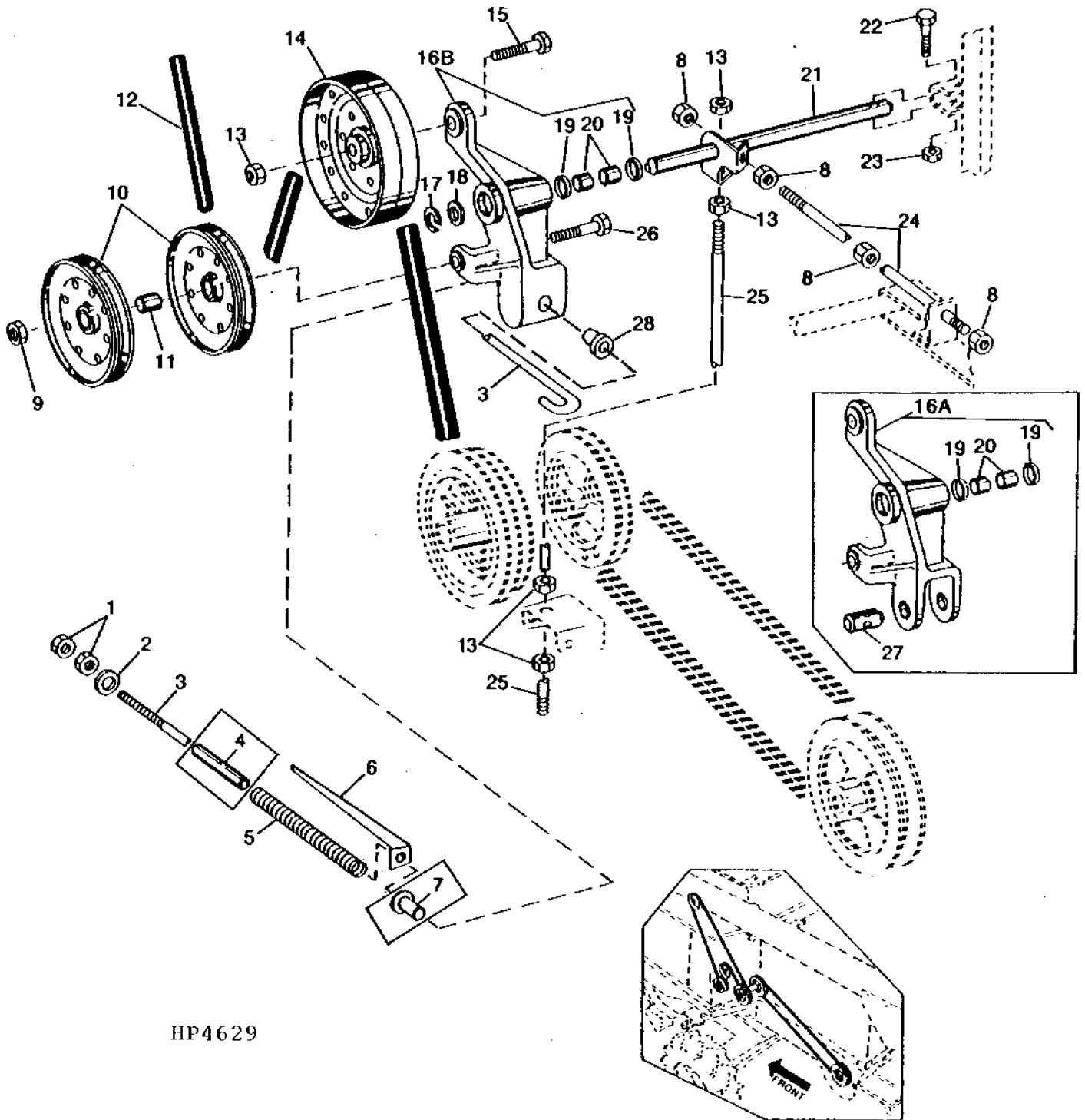
| KEY | PART NO. | PART NAME | QTY | SERIAL NO. | REMARKS |
|-----|----------|---------------------|-----|------------|--------------------------------------|
| 1 | H128098 | ARM | 1 | | |
| 2 | 03M7185 | BOLT | 1 | | M8 X 25 |
| 3 | 19M7865 | SCREW | 4 | | M8 X 16 (NOT FOR USE WITH MUDSHIELD) |
| 4 | H78340 | STRAP | 1 | | |
| 5 | 24M7207 | WASHER | 2 | | 8.400 X 24 X 2 MM |
| 6 | 14M7298 | FLANGE NUT | 4 | -655255 | M8 |
| | 14M7396 | LOCK NUT | 2 | 655256- | M8 |
| 7 | H128111 | BRACKET | 1 | | NOT FOR USE WITH MUDSHIELD |
| 8 | 19M7867 | SCREW | 1 | | M8 X 25 |
| 9 | JD10312 | BALL BEARING | 1 | | |
| 10 | E59406 | FLANGE NUT | 1 | | 3/8" |
| 11 | H132937 | SHEAVE | 1 | | |
| 12 | 03M7186 | BOLT | 2 | | M8 X 30 |
| 13 | BP13616 | SNAP RING | 1 | | |
| 14 | B2984R | PLUG | 1 | | |
| 15 | AZ20216 | BALL BEARING | 1 | | |
| 16 | H132938 | HUB | 1 | | |
| 17 | 19M7785 | SCREW | 4 | | M10 X 25 |
| 18 | JD7788 | LUBRICATION FITTING | 1 | | |
| 19 | H146457 | NUT | 4 | | 10 MM (0.394") |

8E15

DRIVES

STRAW CHOPPER DRIVES (FRONT)

HP4629 -UN-01JAN94



8E16

DRIVES

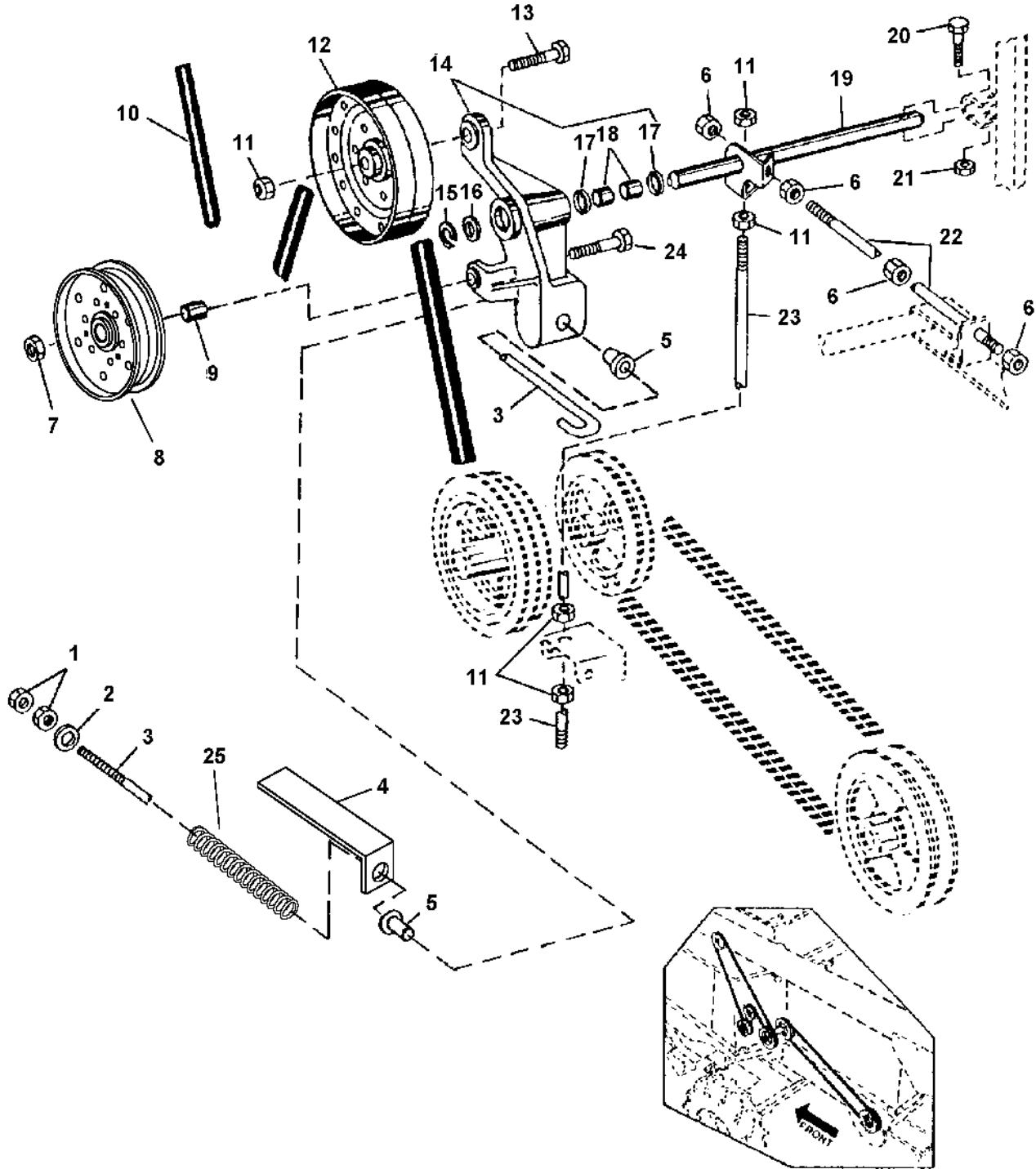
STRAW CHOPPER DRIVES (FRONT) - CONTINUED

| KEY | PART NO. | PART NAME | QTY | SERIAL NO. | REMARKS |
|-----|----------------|------------------------------------|----------|--------------------------|---|
| 1 | 14M7275 | NUT | 2 | M12 | |
| | 14M7276 | NUT | 2 | M16 | |
| 2 | 24M7180 | WASHER | 1 | 13 X 37 X 3 MM | |
| | 24H1106 | WASHER | 1 | 11/16" X 1-3/4" X 0.134" | |
| 3 | H141565 | HOOK BOLT | 1 | -640300 | (SUB H141673) |
| | H141673 | BOLT | 1 | | (USE WITH AH135342) |
| 4 | H116161 | HOSE | 1 | -646507 | (SUB TY22326) BULK HOSE |
| | TY22326 | BULK HOSE | 1 | | |
| 5 | H82418 | SPRING | 1 | -640300 | |
| 6 | H127923 | GAUGE | 1 | -640300 | |
| | H140944 | GAUGE | 1 | 640301-670491 | |
| | H155062 | GAUGE | 1 | | (SUB FOR H159956) (USE WITH R35542) |
| 7 | H141564 | SPACER | 1 | -640300 | 12 X 30 X 27 MM (0.512" X 1.220" X 1.102") |
| 8 | 14M7276 | NUT | 4 | M16 | |
| 9 | 14M7291 | FLANGE NUT | 1 | M16 | |
| 10 | AN15237 | IDLER | 2 | | |
| 11 | P50273 | BUSHING | 1 | | 16.662 X 25.222 X 16.662 MM (21/32" X 0.993" X 21/32") |
| 12 | H125380 | BELT | 1 | | |
| 13 | 14M7299 | FLANGE NUT | 5 | M12 | |
| 14 | AH93318 | IDLER | 1 | | |
| 15 | 19M7817 | SCREW | 1 | -640300 | M12 X 70 |
| | 19M7818 | SCREW | 1 | 640301- | |
| 16A | AH128675 | ARM | 1 | -640300 | |
| 16B | AH135342 | ARM | 1 | 640301- | (USE WITH H141673, H129208, H140944, 14M7276 AND 24H1106) |
| 17 | P46402 | SNAP RING | 1 | | |
| 18 | 24M7091 | WASHER | 1 | 26 X 44 X 4 MM | |
| 19 | AA5607R | SEAL | 2 | | |
| 20 | H99147 | BUSHING | 2 | (SUB H171061) | |
| | H171061 | BEARING | 2 | | |
| 21 | AH134319 | PIN | 1 | | |
| 22 | 19M8292 | SCREW | 1 | M10 X 50 | |
| 23 | 14M7296 | FLANGE NUT | 1 | M10 | |
| 24 | H139545 | STUD | 1 | | |
| 25 | H120198 | STUD | 1 | | |
| 26 | 19M7845 | SCREW | 1 | -640300 | M16 X 90 |
| | 19M7828 | SCREW | 1 | 640301- | M16 X 100 |
| 27 | H141563 | PIVOT | 1 | -640300 | |
| 28 | H129208 | PIVOT | 1 | 640301- | |
| .. | BH80155 | COMPLETE GOODS/SHIP. BUNDLE | 1 | | CORN CHOPPER WITH DRIVES |
| .. | BH80122 | COMPLETE GOODS/SHIP. BUNDLE | 1 | | STRAW CHOPPER WITH DRIVES |

8E17

FINE CUT STRAW CHOPPER DRIVES (FRONT)

HP7616 -UN-31AUG98



HP7616

8E18

DRIVES

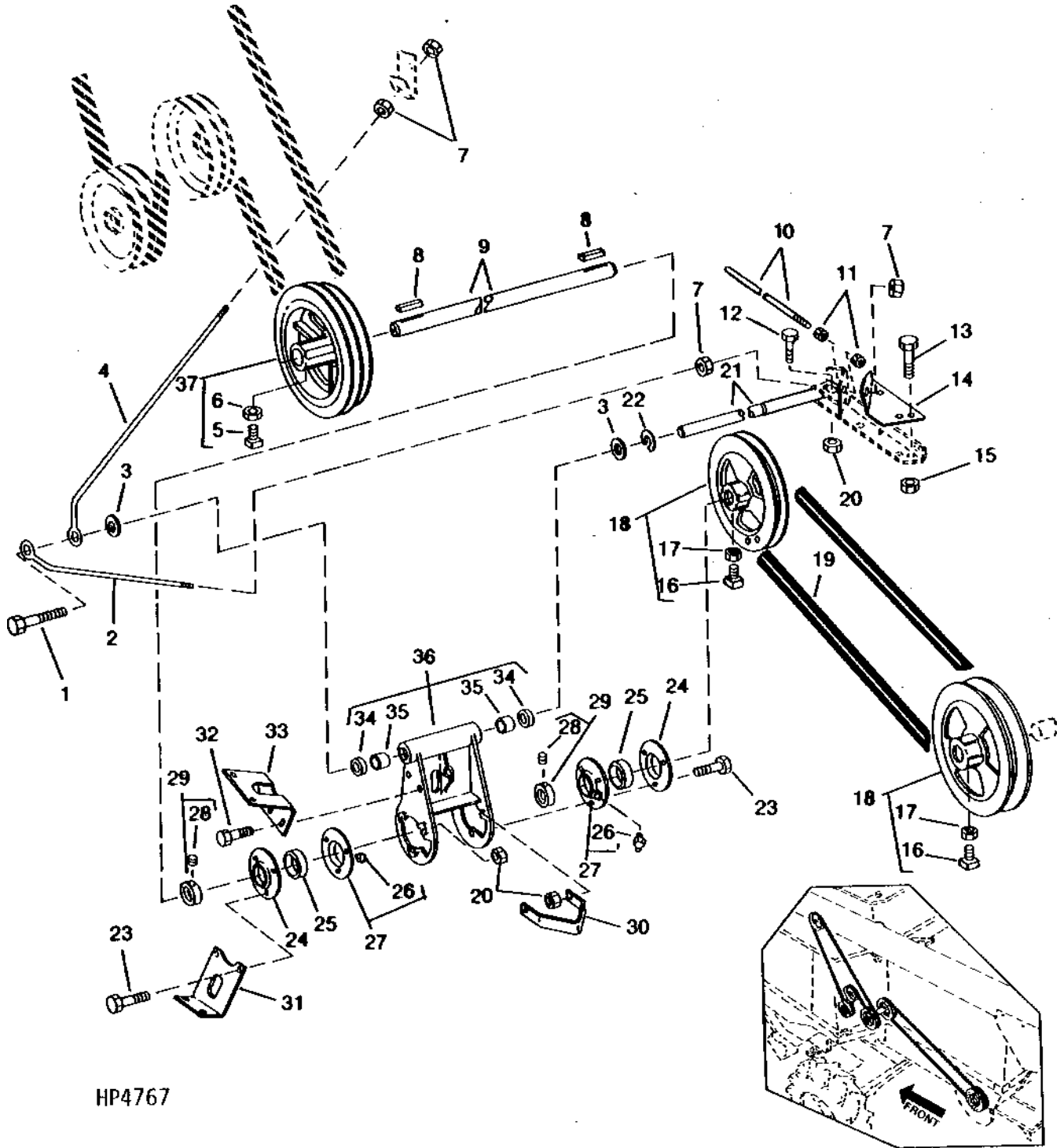
FINE CUT STRAW CHOPPER DRIVES (FRONT) - CONTINUED

| KEY | PART NO. | PART NAME | QTY | SERIAL NO. | REMARKS |
|-----|----------|------------|-----|-------------------------------------|--|
| 1 | 14M7276 | NUT | 2 | M16 | |
| 2 | 24H1106 | WASHER | 1 | 11/16" X 1-3/4" X 0.134" | |
| 3 | H141673 | BOLT | 1 | (USE WITH AH135342) | |
| 4 | H155062 | GAUGE | 1 | (SUB FOR H159956) (USE WITH R35542) | |
| 5 | H129208 | PIVOT | 2 | (USE WITH H141673) | |
| 6 | 14M7276 | NUT | 4 | M16 | |
| 7 | 14M7291 | FLANGE NUT | 1 | M16 | |
| 8 | AE22622 | PULLEY | 2 | | |
| 9 | N110219 | BUSHING | 1 | | |
| 10 | H125380 | BELT | 1 | | |
| 11 | 14M7299 | FLANGE NUT | 5 | M12 | |
| 12 | AH93318 | IDLER | 1 | | |
| 13 | 19M7818 | SCREW | 1 | | |
| 14 | AH135342 | ARM | 1 | | REQUIRES H141673,H129208,H140944 14M7276 AND 24H1106 |
| 15 | P46402 | SNAP RING | 1 | | |
| 16 | 24M7091 | WASHER | 1 | 26 X 44 X 4 MM | |
| 17 | AA5607R | SEAL | 2 | | |
| 18 | H99147 | BUSHING | 2 | (SUB H171061) | |
| | H171061 | BEARING | 2 | | |
| 19 | AH134319 | PIN | 1 | | |
| 20 | 19M8292 | SCREW | 1 | M10 X 50 | |
| 21 | 14M7296 | FLANGE NUT | 1 | M10 | |
| 22 | H139545 | STUD | 1 | | |
| 23 | H120198 | STUD | 1 | | |
| 24 | 19M7828 | SCREW | 1 | M16 X 100 | |
| 25 | H82418 | SPRING | 1 | | |

8E19

DRIVES

STRAW CHOPPER DRIVES (REAR)
HP4767 -UN-01JAN94



HP4767

8E20

DRIVES

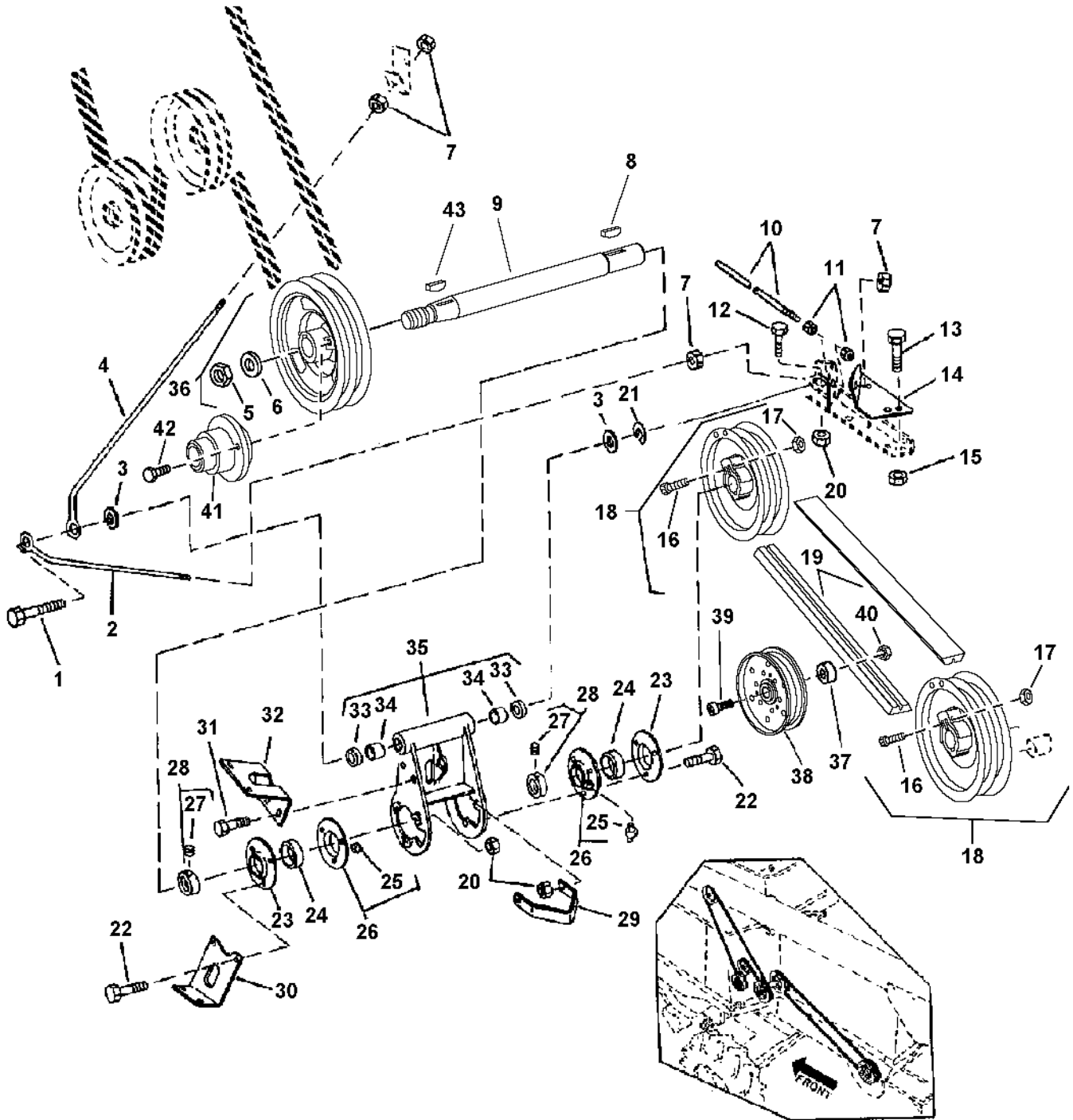
STRAW CHOPPER DRIVES (REAR) - CONTINUED

| KEY | PART NO. | PART NAME | QTY | SERIAL NO. | REMARKS |
|-----|----------------|------------------------------------|----------|------------|--|
| 1 | 19M7815 | SCREW | 1 | | M12 X 60 |
| 2 | H127907 | EYEBOLT | 1 | | |
| 3 | 24M7091 | WASHER | 2 | | 26 X 44 X 4 MM |
| 4 | H127906 | EYEBOLT | 1 | | |
| 5 | H138435 | SET SCREW | 2 | | |
| 6 | 14M7152 | NUT | 2 | | M10 |
| 7 | 14M7291 | FLANGE NUT | 4 | | M16 |
| 8 | H2383H | KEY | 2 | | |
| 9 | H137570 | JACKSHAFT | 1 | | (FOR STRAWCHOPPER AND OR CHAFF SPREADER WITH TAPPED END) |
| 10 | H139545 | STUD | 1 | | |
| 11 | 14M7276 | NUT | 2 | | M16 |
| 12 | 19M8292 | SCREW | 1 | | M10 X 50 |
| 13 | 19M7867 | SCREW | 2 | | M8 X 25 |
| 14 | H133812 | SUPPORT | 1 | | |
| 15 | 14M7298 | FLANGE NUT | 2 | | M8 |
| 16 | H138435 | SET SCREW | 4 | | |
| 17 | 14M7152 | NUT | 4 | | M10 |
| 18 | AH119770 | SHEAVE | 2 | | |
| 19 | H125381 | BELT | 1 | | CHOPPER IN REAR OPERATING POSITION |
| | P47885 | BELT | 1 | -640300 | CHOPPER IN WINDROW OR FORWARD POSITION |
| | H23950 | BELT | 1 | 640301- | 123" |
| 20 | 14M7296 | FLANGE NUT | 7 | | M10 |
| 21 | H120194 | PIN | 1 | | |
| 22 | P43363 | SNAP RING | 1 | | |
| 23 | 19M8162 | CAP SCREW | 6 | | M10 X 40 |
| 24 | H135410 | PRESSED FLANGED HOUSING | 2 | | |
| 25 | AH139296 | BALL BEARING | 2 | | |
| 26 | JD7797 | LUBRICATION FITTING | 2 | | |
| 27 | AE30624 | PRESSED FLANGED HOUSING | 2 | -670000 | |
| | AH163686 | PRESSED FLANGED HOUSING | 2 | 670000- | |
| 28 | 22M7081 | SET SCREW | 2 | | M10 X 10 |
| 29 | AH133191 | ECCENTRIC LOCKING COLLAR | 2 | | |
| 30 | H129125 | STRAP | 1 | | |
| 31 | H132976 | BRACKET | 1 | | |
| 32 | 19M7865 | SCREW | 2 | | M8 X 16 |
| 33 | H132901 | BRACKET | 1 | | |
| 34 | AA5607R | SEAL | 2 | | |
| 35 | H99147 | BUSHING | 2 | | (SUB H171061) |
| | H171061 | BEARING | 2 | | |
| 36 | AH136126 | ARM | 1 | | (SUB AH169220) (SUB FOR AH128674) |
| | AH169220 | ARM | 1 | | |
| 37 | AH127602 | SHEAVE | 1 | | |
| .. | BH79486 | COMPLETE GOODS/SHIP. BUNDLE | 1 | | STRAW CHOPPER PARTS |
| .. | BH80122 | COMPLETE GOODS/SHIP. BUNDLE | 1 | | STRAW CHOPPER WITH DRIVES |
| .. | BH80155 | COMPLETE GOODS/SHIP. BUNDLE | 1 | | CORN CHOPPER WITH DRIVES |

8E21

FINE CUT STRAW CHOPPER DRIVES (REAR)

HP7617 -UN-31AUG98



HP7617

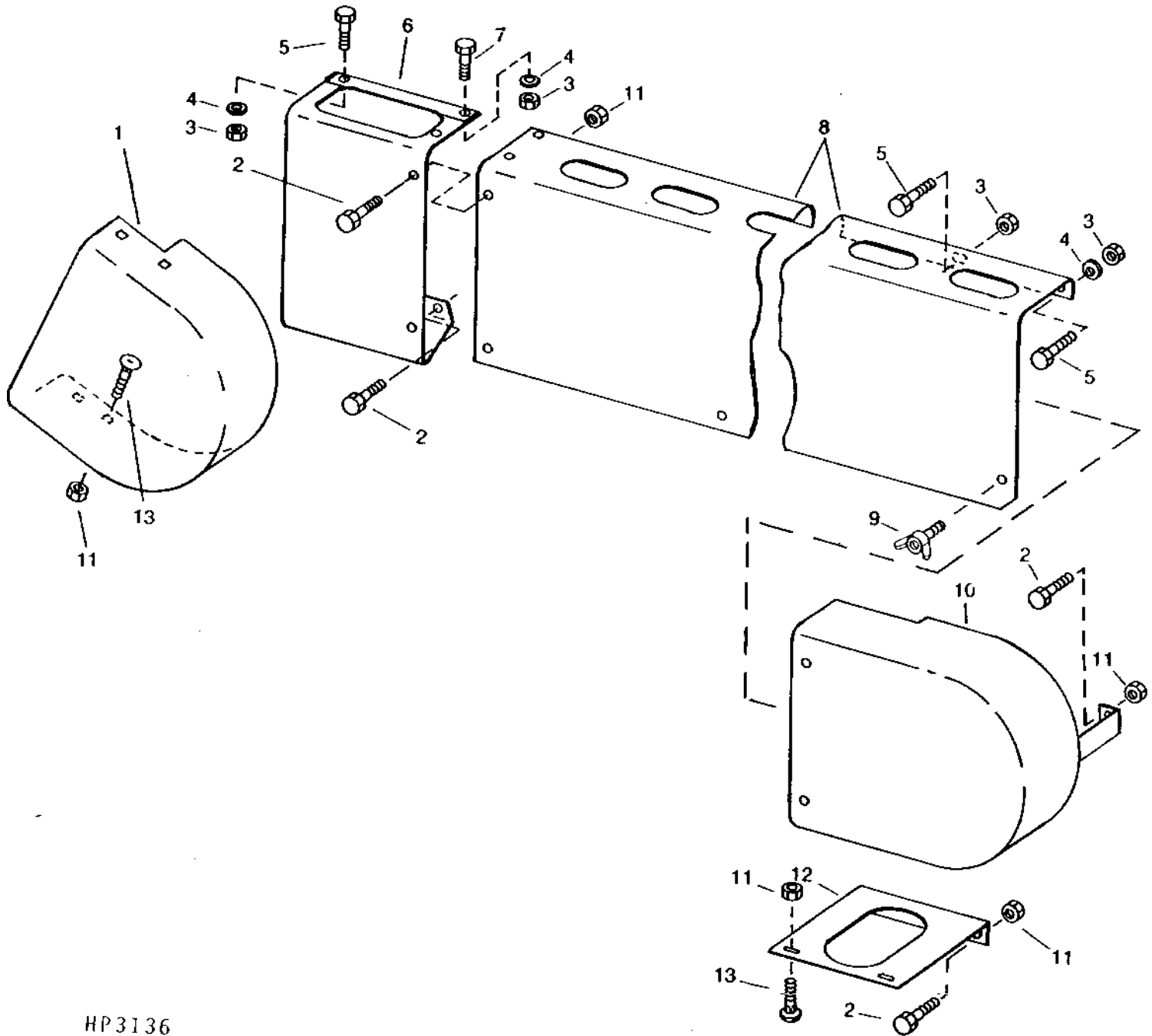
FINE CUT STRAW CHOPPER DRIVES (REAR) - CONTINUED

| KEY | PART NO. | PART NAME | QTY | SERIAL NO. | REMARKS |
|-----|----------|--------------------------|-----|----------------------|---|
| 1 | 19M7815 | SCREW | 1 | M12 X 60 | |
| 2 | H127907 | EYEBOLT | 1 | | |
| 3 | 24M7091 | WASHER | 2 | 26 X 44 X 4 MM | |
| 4 | H127906 | EYEBOLT | 1 | | |
| 5 | 14M7300 | FLANGE NUT | 1 | M20 | |
| 6 | 24H1236 | WASHER | 1 | 13/16" X 2" X 0.149" | |
| 7 | 14M7291 | FLANGE NUT | 4 | M16 | |
| 8 | 26M6787 | SHAFT KEY | 1 | 10 X 32 MM | |
| 9 | H169712 | JACKSHAFT | 1 | | (SUB FOR H157687) (FOR STRAWCHOPPER AND OR CHAFF SPREADER WITH TAPPED END) |
| 10 | H139545 | STUD | 1 | | |
| 11 | 14M7276 | NUT | 2 | M16 | |
| 12 | 19M8292 | SCREW | 1 | M10 X 50 | |
| 13 | 19M7867 | SCREW | 2 | M8 X 25 | |
| 14 | H133812 | SUPPORT | 1 | | |
| 15 | 14M7298 | FLANGE NUT | 2 | M8 | |
| 16 | 19M8292 | SCREW | 2 | M10 X 50 | |
| 17 | 14M7296 | FLANGE NUT | 2 | M10 | |
| 18 | AH150016 | SHEAVE | 2 | | |
| 19 | H157727 | BELT | 1 | | CHOPPER IN REAR OPERATING POSITION |
| 20 | 14M7296 | FLANGE NUT | 7 | | M10 |
| 21 | P43363 | SNAP RING | 1 | | |
| 22 | 19M8162 | CAP SCREW | 6 | M10 X 40 | |
| 23 | H135410 | PRESSED FLANGED HOUSING | 2 | | |
| 24 | AH139296 | BALL BEARING | 2 | | |
| 25 | JD7797 | LUBRICATION FITTING | 2 | | |
| 26 | AE30624 | PRESSED FLANGED HOUSING | 2 | -670000 | |
| | AH163686 | PRESSED FLANGED HOUSING | 2 | 670000- | |
| 27 | 22M7081 | SET SCREW | 2 | M10 X 10 | |
| 28 | AH133191 | ECCENTRIC LOCKING COLLAR | 2 | | |
| 29 | H129125 | STRAP | 1 | | |
| 30 | H132976 | BRACKET | 1 | | |
| 31 | 19M7865 | SCREW | 2 | M8 X 16 | |
| 32 | H132901 | BRACKET | 1 | | |
| 33 | AA5607R | SEAL | 2 | | |
| 34 | H99147 | BUSHING | 2 | | (SUB H171061) |
| | H171061 | BEARING | 2 | | |
| 35 | AH136126 | ARM | 1 | | (SUB AH169220) |
| | AH169220 | ARM | 1 | | |
| 36 | H157688 | SHEAVE | 1 | | |
| 37 | N110219 | BUSHING | 1 | | |
| 38 | AE22622 | PULLEY | 1 | | |
| 39 | 19M7827 | SCREW | 1 | M16 X 80 | |
| 40 | 14M7291 | FLANGE NUT | 1 | M16 | |
| 41 | H157427 | HYDR. CYLINDER ROD GUIDE | 1 | | |
| 42 | 19M7788 | SCREW | 2 | M12 X 25 | |
| 43 | 26H103 | SHAFT KEY | 1 | 1/4" X 2-1/8" | |

8E23

DRIVES

STRAW CHOPPER DRIVE SHIELDS (-640300)
HP3136 -UN-01JAN94



HP3136

8E24

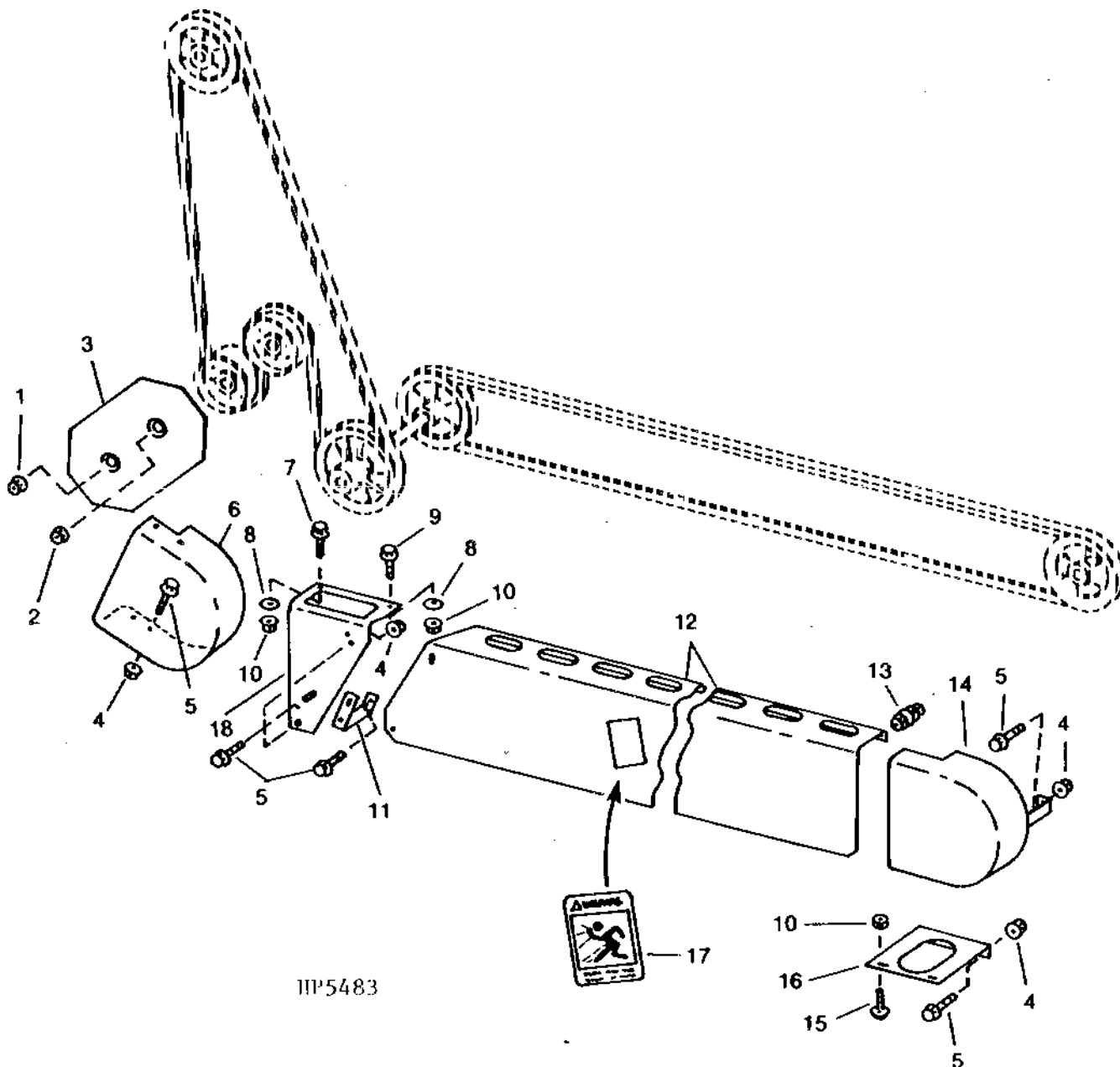
DRIVES

STRAW CHOPPER DRIVE SHIELDS (-640300) - CONTINUED

| KEY | PART NO. | PART NAME | QTY | SERIAL NO. | REMARKS |
|-----|----------------|------------------------------------|----------|------------|---------------------------------|
| 1 | H132902 | CAP | 1 | | |
| 2 | 19M7865 | SCREW | AR | | M8 X 16 |
| 3 | 14M7273 | NUT | AR | | M8 |
| 4 | 24M7238 | WASHER | AR | | 8.700 X 17 X 2 MM |
| 5 | 19M7866 | SCREW | AR | | M8 X 20 |
| 6 | H134678 | SUPPORT | 1 | -640300 | |
| 7 | 19M7867 | SCREW | AR | | M8 X 25 |
| 8 | H134647 | SHIELD | 1 | -640300 | |
| 9 | 21M7236 | WING SCREW | 1 | | M10 X 16 |
| 10 | AH130592 | CAP | 1 | | |
| 11 | 14M7298 | FLANGE NUT | AR | | M8 |
| 12 | H134652 | BRACKET | 1 | | |
| 13 | 03M7183 | BOLT | 4 | | M8 X 16 |
| .. | BH80155 | COMPLETE GOODS/SHIP. BUNDLE | 1 | | CORN CHOPPER WITH DRIVES |

8F1

STRAW CHOPPER DRIVE SHIELDS (640301-)
HP5483 -UN-01JAN94



HP5483

8F2

DRIVES

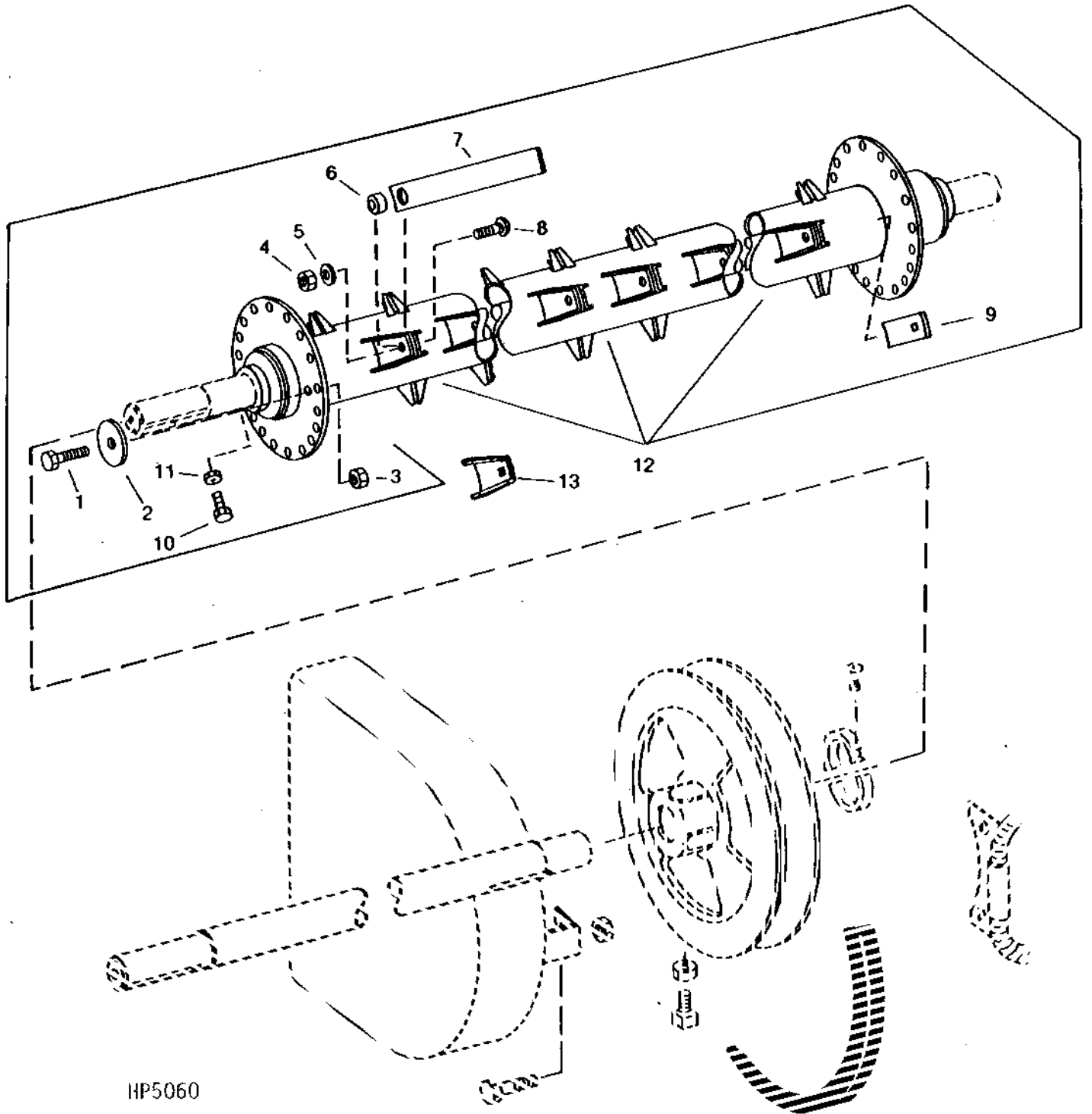
STRAW CHOPPER DRIVE SHIELDS (640301-) - CONTINUED

| KEY | PART NO. | PART NAME | QTY | SERIAL NO. | REMARKS |
|-----|----------------|------------------------------------|----------|------------|--|
| 1 | 14M7291 | FLANGE NUT | 1 | -671068 | M16 |
| | 14M7260 | NUT | 1 | 671069- | M16 |
| 2 | 14M7299 | FLANGE NUT | 1 | | M12 |
| 3 | AH147353 | SHIELD | 1 | 31JAN6- | (SUB AH167132) (SUB FOR AH135996) |
| | AH167132 | SHIELD | 1 | | |
| 4 | 14M7298 | FLANGE NUT | 10 | | M8 |
| 5 | 19M7865 | SCREW | 11 | | M8 X 16 |
| 6 | H132902 | CAP | 1 | | |
| 7 | 19M7866 | SCREW | 1 | | M8 X 20 |
| 8 | 24M7238 | WASHER | 2 | | 8.700 X 17 X 2 MM |
| 9 | 19M7867 | SCREW | 1 | | M8 X 25 |
| 10 | 14M7273 | NUT | 2 | | M8 |
| 11 | H141060 | BRACKET | 1 | | |
| 12 | H155295 | SHIELD | 1 | | (SUB FOR H141055) |
| 13 | 19M7865 | SCREW | 5 | | M8 X 16 |
| | 24M7207 | WASHER | 5 | | 8.400 X 24 X 2 MM |
| | 14M7273 | NUT | 5 | | M8 |
| 14 | AH130592 | CAP | 1 | | |
| 15 | 03M7183 | BOLT | 2 | | M8 X 16 |
| 16 | H134652 | BRACKET | 1 | | |
| 17 | H138989 | LABEL | 1 | -660300 | (SUB H149096) "PROJECTILE WARNING" |
| | H149096 | LABEL | 1 | | "PROJECTILE WARNING" ON R.H. REAR HOOD |
| 18 | H141059 | SUPPORT | 1 | | |
| .. | R57003 | TAPE | 1 | -661529 | (SUB TY15709) |
| .. | BH80122 | COMPLETE GOODS/SHIP. BUNDLE | 1 | | STRAW CHOPPER WITH DRIVES |

8F3

DRIVES

STRAW CHOPPER ROTOR AND SHEAVE (-645300)
HP5060 -UN-01JAN94



8F4

DRIVES

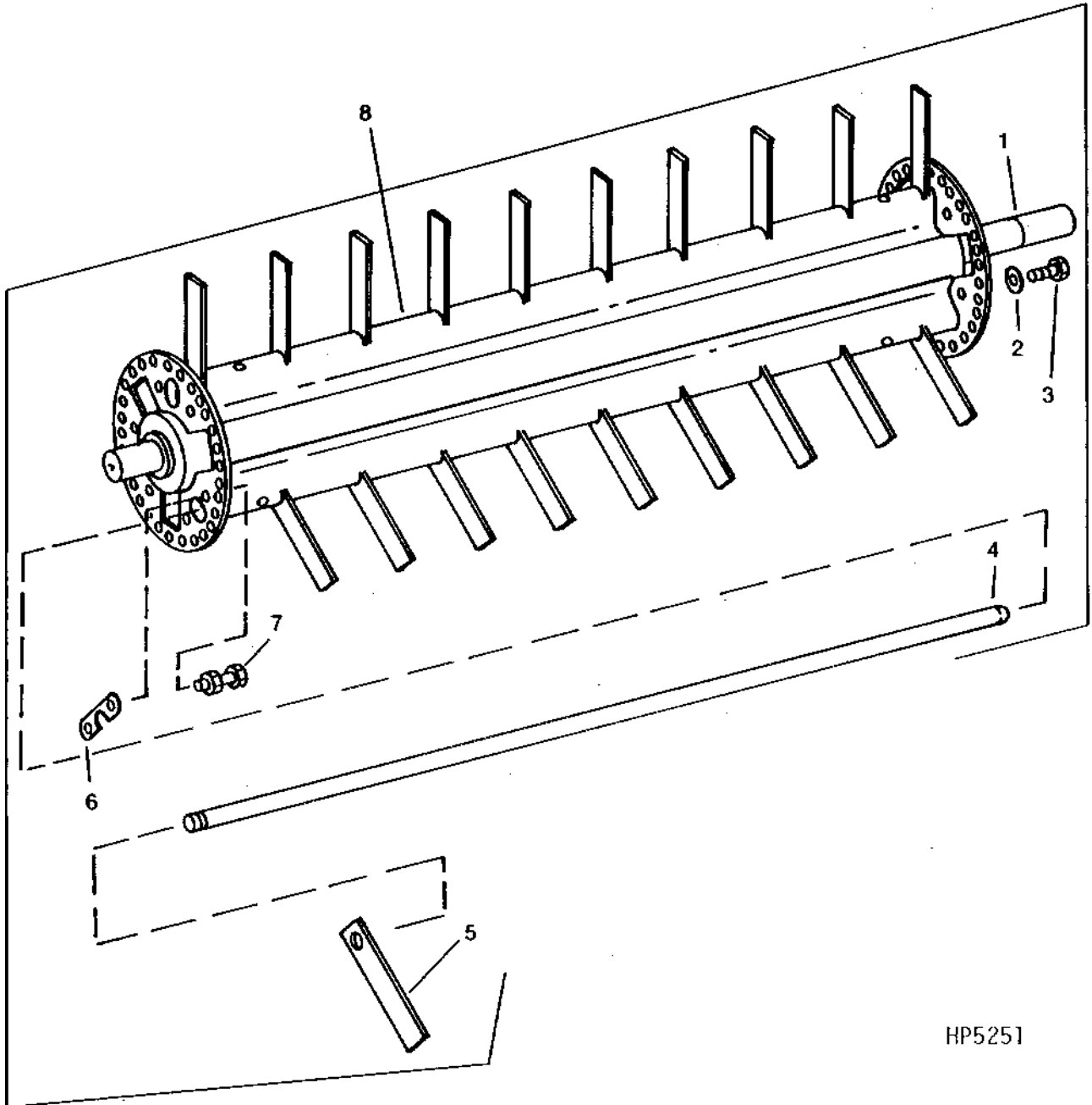
STRAW CHOPPER ROTOR AND SHEAVE (-645300) - CONTINUED

| KEY | PART NO. | PART NAME | QTY | SERIAL NO. | REMARKS |
|-----|----------|-----------|-----|---------------|---|
| 1 | H128360 | CAP SCREW | 2 | | |
| | H128359 | CAP SCREW | 1 | | 5/16" X 1-1/2" |
| | H128358 | CAP SCREW | 2 | | 5/16" X 1-1/4" |
| | H128357 | CAP SCREW | 3 | | 5/16" X 1" |
| 2 | H128084 | WASHER | 6 | | 11 X 76.200 X 5 MM (0.433" X 3" X 0.197") |
| | H128083 | WASHER | 4 | | 0.354" X 2" X 0.197" |
| | H128082 | WASHER | 6 | | 0.354" X 1.374" X 0.118" |
| | H128081 | WASHER | 4 | | 0.354" X 1.252" X 0.059" |
| | H128080 | WASHER | 4 | | 0.354" X 0.752" X 0.059" |
| 3 | H129201 | LOCK NUT | 2 | | 9.525 MM (3/8") |
| | H143332 | LOCK NUT | 6 | | 7.925 MM (5/16") 5/16" X 18 UNC |
| 4 | H32147 | LOCK NUT | 36 | | 9.525 MM (3/8") |
| 5 | R42729 | WASHER | 34 | | 10.312 X 20.980 X 2.286 MM (13/32" X 0.826" X 0.090") |
| 6 | H88783 | WASHER | 36 | | 9.906 X 19.050 X 7.239 MM (0.390" X 3/4" X 0.285") |
| 7 | H88809 | STRAP | 36 | | |
| 8 | 03H2305 | BOLT | 36 | | 3/8" X 1-1/4" |
| 9 | H88807 | GUSSET | 1 | | (SUB AH136017) |
| 10 | 22H748 | SET SCREW | 1 | 632192- | 1/2" X 1" |
| 11 | 14H826 | NUT | 1 | 632192- | 1/2" |
| 12 | AH128251 | ROTOR | 1 | -632191 | (SUB AH136020) |
| | AH136020 | ROTOR | 1 | 632192-640300 | (SUB AH139292) |
| | AH139292 | ROTOR | 1 | 640301-645300 | (SUB AH140008) |
| | AH140008 | ROTOR | 1 | -650300 | (SUB AH141748) |
| | AH141748 | ROTOR | 1 | -656279 | (SUB AH143424) |
| | AH143424 | ROTOR | 1 | | |
| 13 | H132998 | BRACKET | 58 | 645307- | |

8F5

DRIVES

TRI ROTOR STRAW CHOPPER (645301-655300)
HP5251 -UN-01JAN94



HP5251

8F6

DRIVES

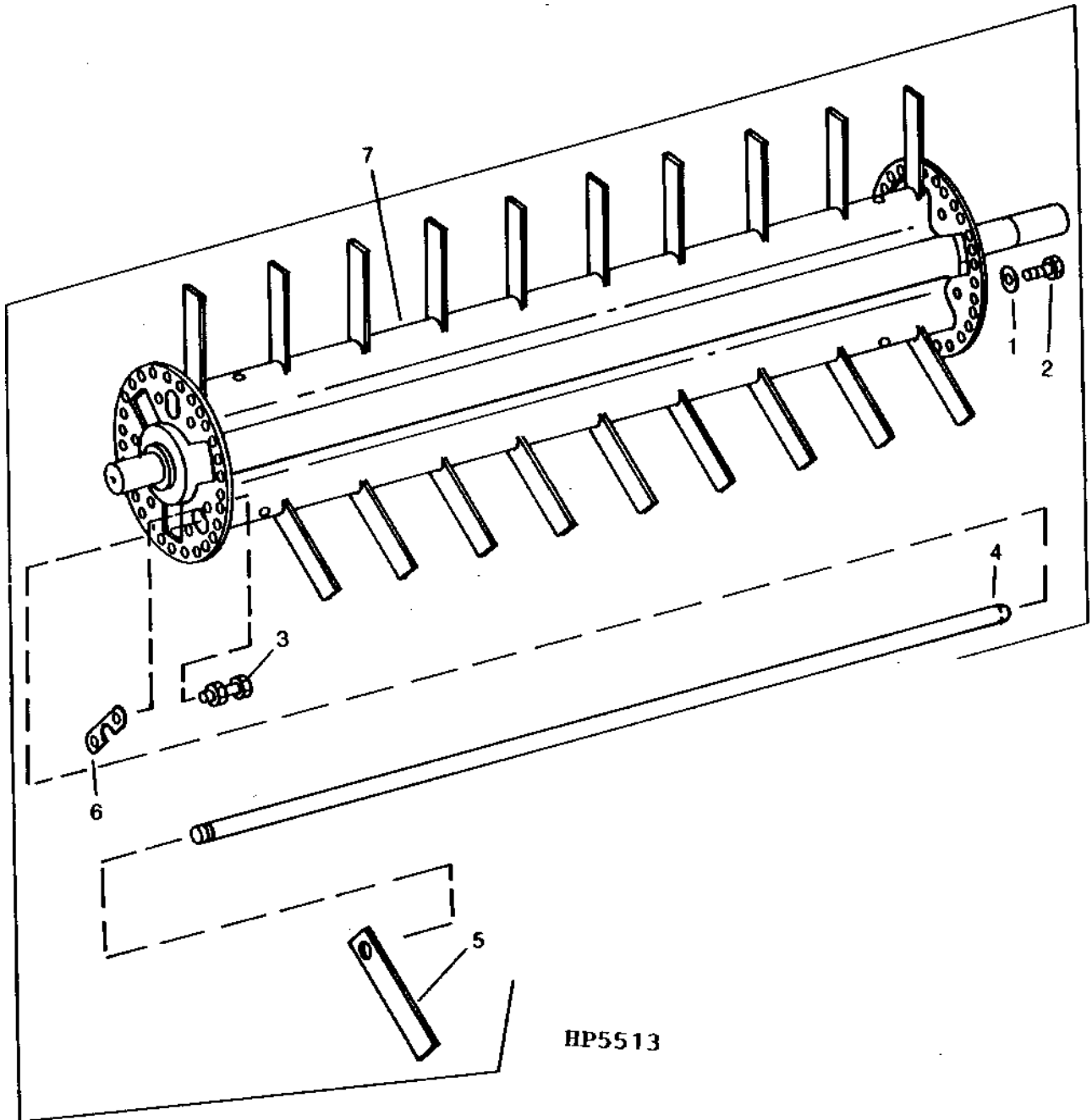
TRI ROTOR STRAW CHOPPER (645301-655300) - CONTINUED

| KEY | PART NO. | PART NAME | QTY | SERIAL NO. | REMARKS |
|-----|----------------|------------------------------------|----------|---------------|----------------------------------|
| 1 | H145276 | SHAFT | 1 | | (USED FOR BALANCING SHAFT) |
| 2 | H128080 | WASHER | AR | | 9 X 19 X 1.5 |
| | H128081 | WASHER | AR | | 9 X 31.8 X 1.5 |
| | H128082 | WASHER | AR | | 9X 34.9 X 3 |
| | H128083 | WASHER | AR | | 9 X 50.8 X 5 |
| | H147304 | WASHER | AR | | 9 X 34.9 X 5 |
| 3 | H147302 | BOLT | AR | | 3/4" |
| | H128357 | CAP SCREW | AR | | 1" |
| | H128358 | CAP SCREW | AR | | 1-1/4" |
| | H128359 | CAP SCREW | AR | | 1-1/2" |
| 4 | H132122 | SPRING PIN | 3 | | |
| 5 | AH124635 | BLADE | 1 | | SET OF 6 BLADES |
| | AH128359 | BLADE | 1 | | SET OF 36 BLADES |
| 6 | H146414 | RETAINER | 3 | | |
| 7 | H128357 | CAP SCREW | AR | | |
| | H143332 | LOCK NUT | 6 | -650300 | |
| | H143332 | LOCK NUT | 13 | 650301- | |
| 8 | AH140008 | ROTOR | 1 | -650300 | (SUB AH141748) |
| | AH141748 | ROTOR | 1 | 650301-656279 | (SUB AH143424) |
| | AH143424 | ROTOR | 1 | | |
| .. | BH80122 | COMPLETE GOODS/SHIP. BUNDLE | 1 | | STRAW CHOPPER WITH DRIVES |

8F7

DRIVES

TRI ROTOR STRAW CHOPPER (655301 -)
HP5513 -UN-01JAN94



HP5513

8F8

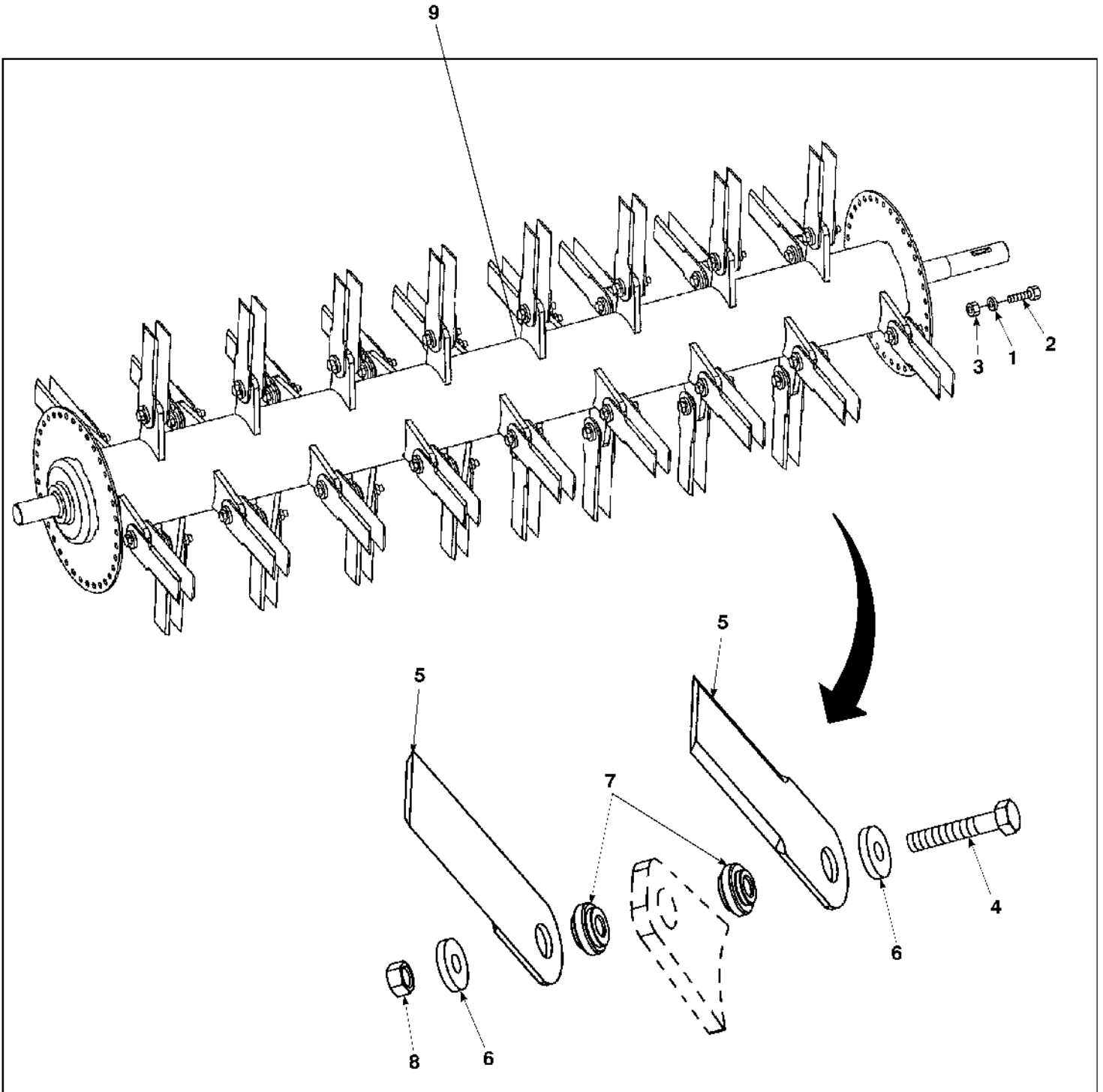
DRIVES

TRI ROTOR STRAW CHOPPER (655301 -) - CONTINUED

| KEY | PART NO. | PART NAME | QTY | SERIAL NO. | REMARKS |
|-----|----------------|------------------------------------|----------|------------|--|
| 1 | H128080 | WASHER | AR | | 9 X 19 X 1.5; (USED FOR BALANCING SHAFT) |
| | H128081 | WASHER | AR | | 9 X 31.8 X 1.5 |
| | H128082 | WASHER | AR | | 9X 34.9 X 3 |
| | H128083 | WASHER | AR | | 9 X 50.8 X 5 |
| | H147304 | WASHER | AR | -671608 | 9 X 34.9 X 5 |
| | 24M7024 | WASHER | 2 | 671609- | 9 X 28 X 3 MM |
| 2 | H147302 | BOLT | AR | | 3/4" |
| | H128357 | CAP SCREW | AR | | 1" |
| | H128358 | CAP SCREW | AR | | 1-1/4" |
| | H128359 | CAP SCREW | AR | | 1-1/2" |
| 3 | H128357 | CAP SCREW | AR | | |
| | H143332 | LOCK NUT | 13 | | |
| 4 | H132122 | SPRING PIN | 3 | | |
| 5 | AH124635 | BLADE | 1 | | SET OF 6 BLADES |
| | AH128359 | BLADE | 1 | | SET OF 36 BLADES |
| 6 | H146414 | RETAINER | 3 | | |
| 7 | AH143424 | ROTOR | 1 | | |
| .. | BH80122 | COMPLETE GOODS/SHIP. BUNDLE | 1 | | STRAW CHOPPER WITH DRIVES |
| .. | BH79705 | COMPLETE GOODS/SHIP. BUNDLE | 1 | | STRAW CHOPPER PARTS |
| .. | BH80145 | COMPLETE GOODS/SHIP. BUNDLE | 1 | | STRAW CHOPPER WITH DRIVES - GRAIN |
| .. | BH80146 | COMPLETE GOODS/SHIP. BUNDLE | 1 | | STRAW CHOPPER WITH DRIVES - CORN |
| .. | BH80147 | COMPLETE GOODS/SHIP. BUNDLE | 1 | | STRAW CHOPPER WITH DRIVES - GRAIN |
| .. | BH80148 | COMPLETE GOODS/SHIP. BUNDLE | 1 | | STRAW CHOPPER WITH DRIVES - CORN |

8F9

FINE CUT ROTOR STRAW CHOPPER (STRAIGHT WIDE) (670820-)
HP6732 -UN-22MAY97



HP6732

8F10

DRIVES

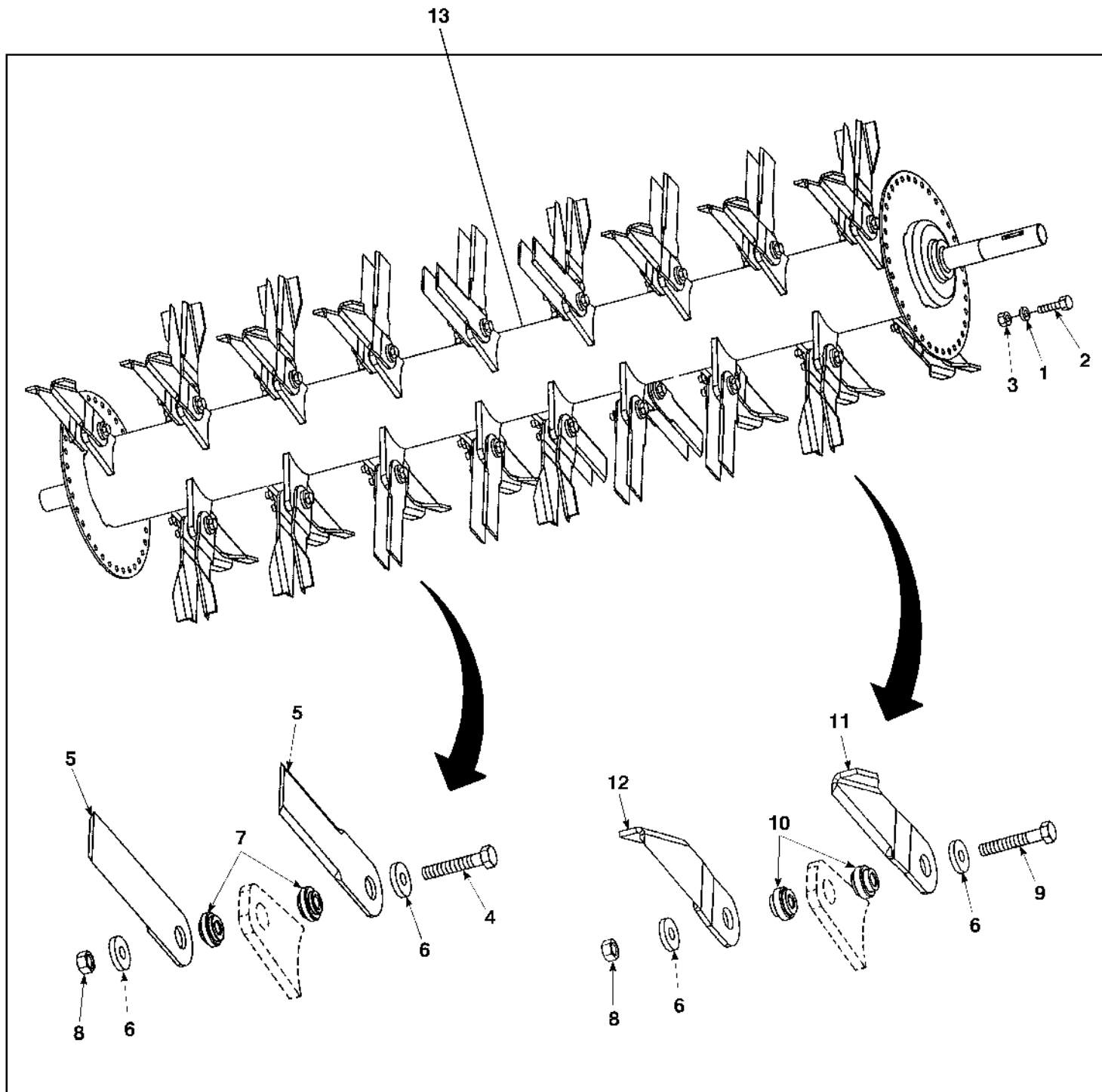
FINE CUT ROTOR STRAW CHOPPER (STRAIGHT WIDE) (670820-) - CONTINUED

| KEY | PART NO. | PART NAME | QTY | SERIAL NO. | REMARKS |
|-----|----------|-----------|-----|----------------|---------|
| 1 | H128080 | WASHER | AR | 9 X 19 X 1.5 | |
| | H128081 | WASHER | AR | 9 X 31.8 X 1.5 | |
| | H128082 | WASHER | AR | 9X 34.9 X 3 | |
| | H128083 | WASHER | AR | 9 X 50.8 X 5 | |
| | H147304 | WASHER | AR | 9 X 34.9 X 5 | |
| 2 | H147302 | BOLT | AR | 3/4" | |
| | H128357 | CAP SCREW | AR | 1" | |
| | H128358 | CAP SCREW | AR | 1-1/4" | |
| | H128359 | CAP SCREW | AR | 1-1/2" | |
| 3 | H143332 | LOCK NUT | AR | 5/16" | |
| 4 | 19M7935 | CAP SCREW | 34 | M10 X 55 | |
| 5 | H156098 | BLADE | 68 | | |
| 6 | H156101 | WASHER | 68 | | |
| 7 | H156100 | BUSHING | 68 | | |
| 8 | A51212 | LOCK NUT | 34 | M10 | |
| 9 | AH151536 | ROTOR | 1 | | |

8F11

DRIVES

FINE CUT ROTOR STRAW CHOPPER (PADDLED WIDE) (670820-)
HP6733 -UN-22MAY97



HP6733

8F12

DRIVES

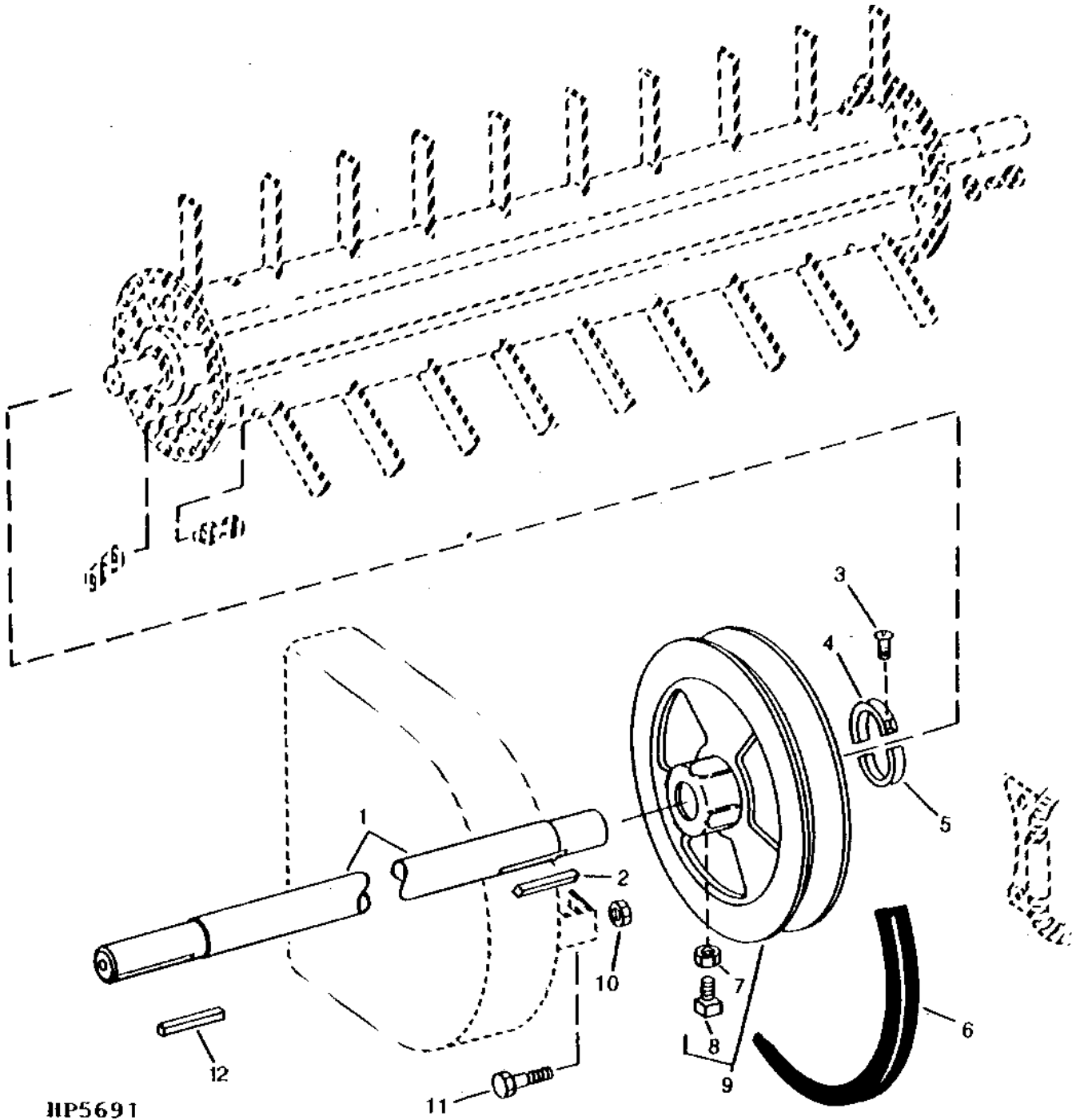
FINE CUT ROTOR STRAW CHOPPER (PADDLED WIDE) (670820-) - CONTINUED

| KEY | PART NO. | PART NAME | QTY | SERIAL NO. | REMARKS |
|-----|----------|-----------|-----|------------|------------------------|
| 1 | H128080 | WASHER | AR | | 9 X 19 X 1.5 |
| | H128081 | WASHER | AR | | 9 X 31.8 X 1.5 |
| | H128082 | WASHER | AR | | 9X 34.9 X 3 |
| 2 | H128083 | WASHER | AR | | 9 X 50.8 X 5 |
| | H147304 | WASHER | AR | | 9 X 34.9 X 5 |
| | H147302 | BOLT | AR | | 3/4" |
| | H128357 | CAP SCREW | AR | | 1" |
| | H128358 | CAP SCREW | AR | | 1-1/4" |
| | H128359 | CAP SCREW | AR | | 1-1/2" |
| 3 | H143332 | LOCK NUT | AR | | 5/16" |
| 4 | 19M7935 | CAP SCREW | 12 | | M10 X 55 |
| 5 | H156098 | BLADE | 24 | | STRAIGHT |
| 6 | H156101 | WASHER | 68 | | |
| 7 | H156100 | BUSHING | 24 | | |
| 8 | A51212 | LOCK NUT | 34 | | M10 |
| 9 | 19M8499 | CAP SCREW | 34 | | M10 X 60 |
| 10 | H158364 | BUSHING | 44 | -30MAR8 | (SERVICE ONLY) |
| | H167127 | BUSHING | 68 | 30MAR8- | |
| 11 | H158405 | BLADE | 22 | -30MAR8 | (SUB AH160606) PADDLED |
| 12 | H158404 | BLADE | 22 | -30MAR8 | (SUB AH160606) PADDLED |
| 13 | AH151538 | ROTOR | 1 | -30MAR8 | |
| | AH160425 | ROTOR | 1 | 30MAR8- | |

8F13

DRIVES

STRAW CHOPPER, ROTOR AND SHEAVE
HP5691 -UN-01JAN94



HP5691

8F14

DRIVES

STRAW CHOPPER, ROTOR AND SHEAVE - CONTINUED

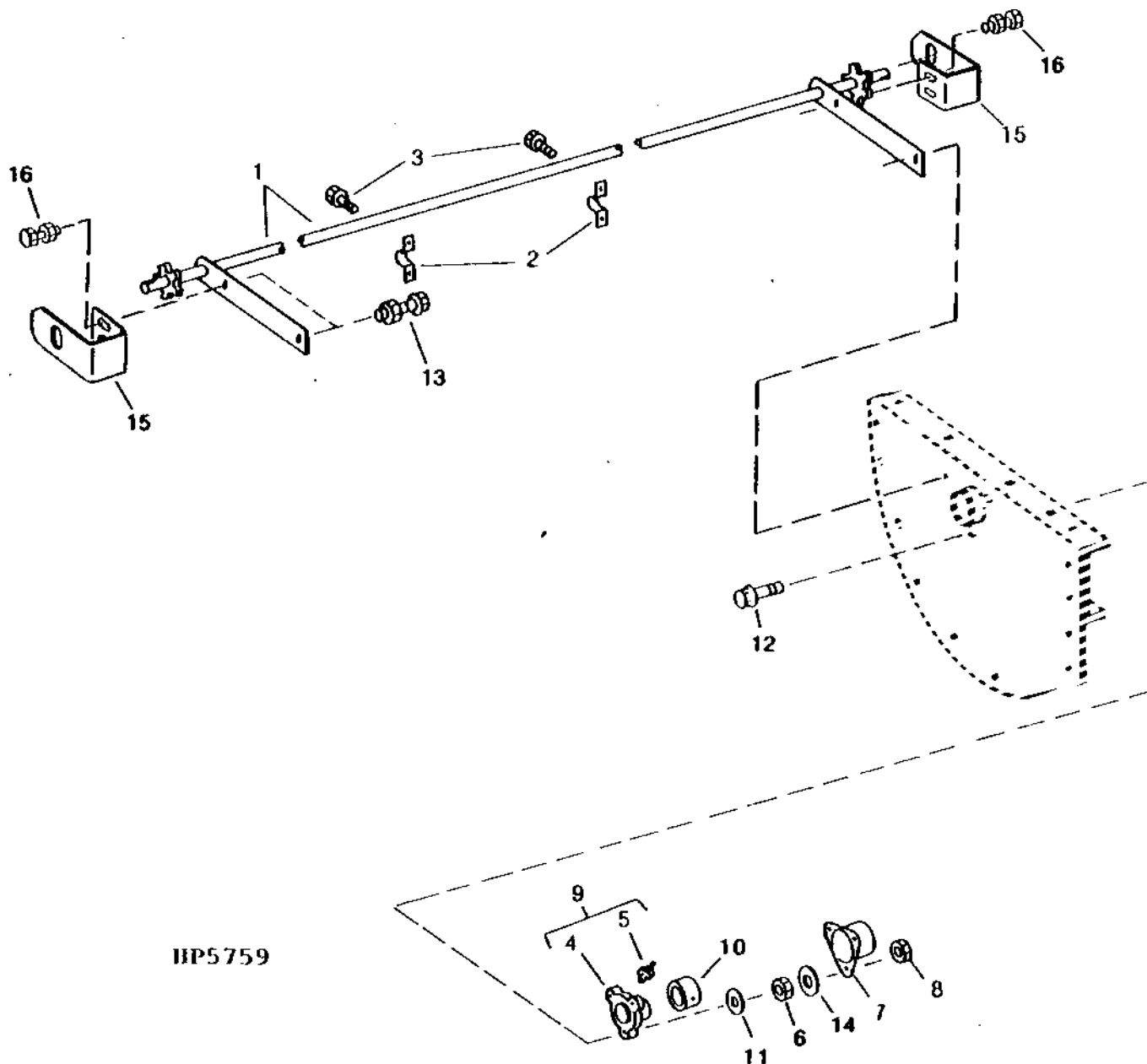
| KEY | PART NO. | PART NAME | QTY | SERIAL NO. | REMARKS |
|-----|----------|-------------|-----|------------|---------------------------|
| 1 | H141582 | DRIVE SHAFT | 1 | -640300 | |
| | H145276 | SHAFT | 1 | 640301- | |
| 2 | H2383H | KEY | 1 | | 6 X 304 MM (1/4 X 12 IN.) |
| 3 | 21H1419 | SCREW | 1 | | 0.190" X 1" |
| 4 | H104794 | ACTUATOR | 1 | | |
| 5 | H104793 | ACTUATOR | 1 | | |
| 6 | H125381 | BELT | 1 | | |
| | P47885 | BELT | 1 | | (SUB H23950) |
| | H23950 | BELT | 1 | | |
| 7 | 14M7152 | NUT | 1 | M10 | |
| 8 | H138435 | SET SCREW | 2 | M10 X 25 | |
| 9 | AH119770 | SHEAVE | 2 | | |
| 10 | 14M7298 | FLANGE NUT | 1 | M8 | |
| 11 | 19M7865 | SCREW | 1 | M8 X 16 | |
| 12 | H64375 | SHAFT KEY | 1 | 7 X 304 MM | |

8F15

DRIVES

STRAW CHOPPER HOUSING AND KNIFEBANK

(645301-)
HP5759 -UN-01JAN94



HP5759

8F16

DRIVES

STRAW CHOPPER HOUSING AND KNIFEBANK - CONTINUED
(655301-)

| KEY | PART NO. | PART NAME | QTY | SERIAL NO. | REMARKS |
|-----|----------------|------------------------------------|----------|------------|----------------------------------|
| 1 | AH135836 | DRIVE SPROCKET | 1 | | |
| 2 | H84990 | CLAMP | 2 | | |
| 3 | 03M7184 | BOLT | 2 | | M8 X 20 |
| 4 | | BALL BEARING | 2 | | (SUB AH139260) |
| 5 | JD7844 | LUBRICATION FITTING | 2 | | |
| 6 | 14M7337 | NUT | 3 | -656691 | M10, (SUB 14M7517) |
| | 14M7517 | LOCK NUT | 3 | | M10 |
| 7 | H145319 | COVER | 1 | | |
| 8 | 14M7274 | NUT | 3 | | M10 |
| 9 | AH139260 | BEARING | 2 | | |
| 10 | JD8576 | ECCENTRIC LOCKING COLLAR | 2 | | |
| 11 | 24M7239 | WASHER | 6 | | 10.700 X 21 X 2.500 MM |
| 12 | 19M7805 | SCREW | 6 | | M10 X 45 |
| 13 | 19M7867 | SCREW | 4 | | M8 X 25 |
| | 14M7298 | FLANGE NUT | 4 | | M8 |
| 14 | 24M7028 | WASHER | 4 | | 10.500 X 20 X 2 MM |
| 15 | H141388 | SHIELD | 2 | | |
| 16 | 19M7867 | SCREW | 4 | | M8 X 25 |
| | 14M7298 | FLANGE NUT | 4 | | M8 |
| .. | BH80122 | COMPLETE GOODS/SHIP. BUNDLE | 1 | | STRAW CHOPPER WITH DRIVES |

8F17

DRIVES

METRIC KEY STOCK KIT

| KEY | PART NO. | PART NAME | QTY | SERIAL NO. | REMARKS |
|-----|----------|-----------|-----|------------|---|
| .. | | SHAFT KEY | 3 | | 5 X 305MM SQUARE (IN AH141142 KEY STOCK KIT) (CUT FROM H150267) |
| .. | | SHAFT KEY | 3 | | 6 X 305MM SQUARE (IN AH141142 KEY STOCK KIT) (CUT FROM H150268) |
| .. | | SHAFT KEY | 1 | | 8 X 305MM SQUARE (IN AH141142 KEY STOCK KIT) (CUT FROM H150275) |
| .. | | SHAFT KEY | 2 | | 8 X 7 X 305MM RECTANGULAR (IN AH141142 KEY STOCK KIT) (CUT FROM H150269) |
| .. | | SHAFT KEY | 1 | | 10 X 8 X 305 MM RECTANGULAR (IN AH141142 KEY STOCK KIT) (CUT FROM H150270) |
| .. | | SHAFT KEY | 1 | | 12 X 8 X 305MM RECTANGULAR (IN AH141142 KEY STOCK KIT) (CUT FROM H150271) |
| .. | | SHAFT KEY | 1 | | 14 X 8 X 305MM RECTANGULAR (IN AH141142 KEY STOCK KIT) (CUT FROM H150272) |
| .. | AH141142 | SHAFT KEY | 1 | | |

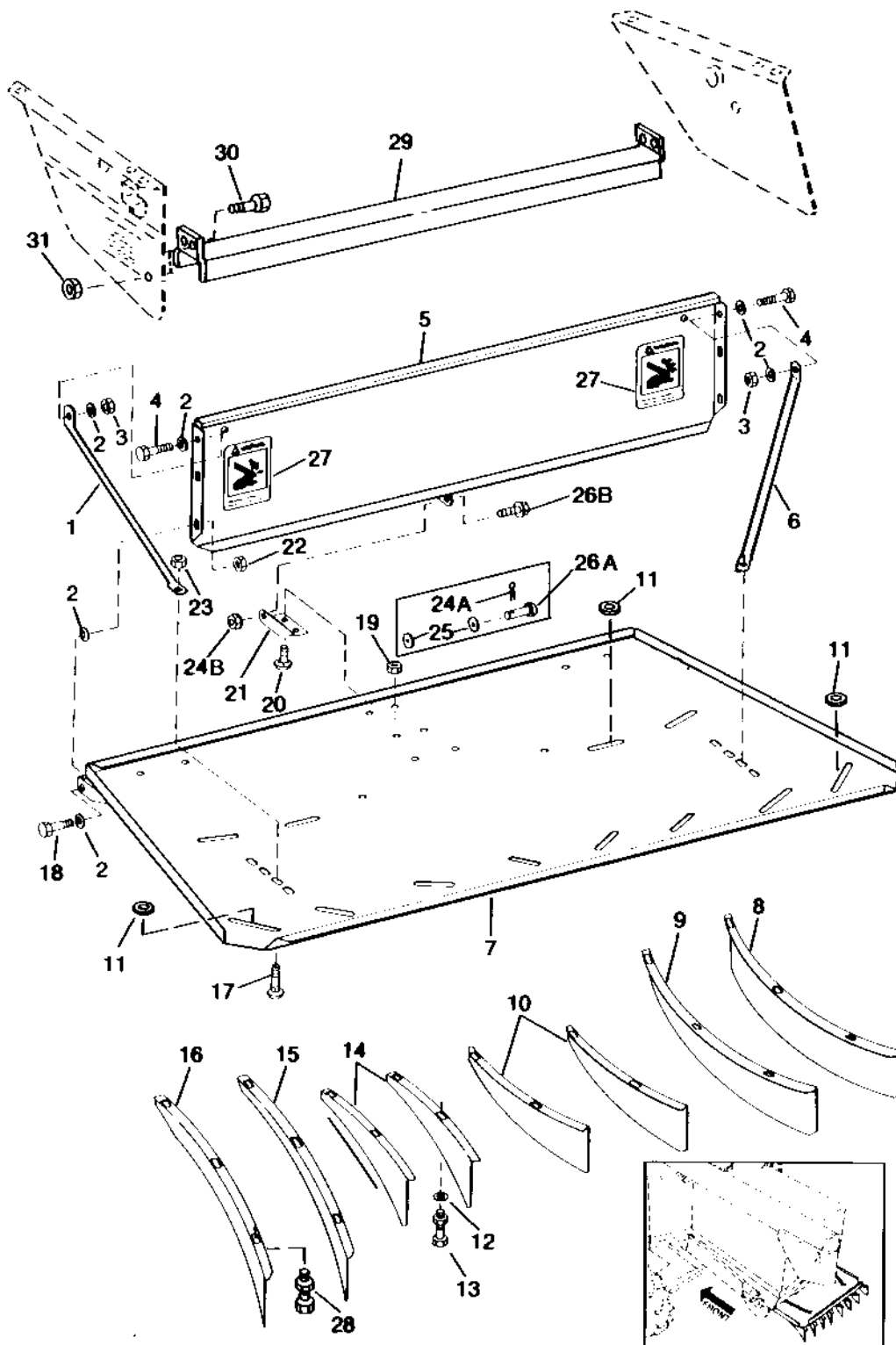
MEMORANDA

8F20

RESIDUE DISPOSAL

STRAW CHOPPER DECK, SUPPORTS AND FINNS

HP5871 -UN-14OCT94



HP5871

STRAW CHOPPER DECK, SUPPORTS AND FINS - CONTINUED

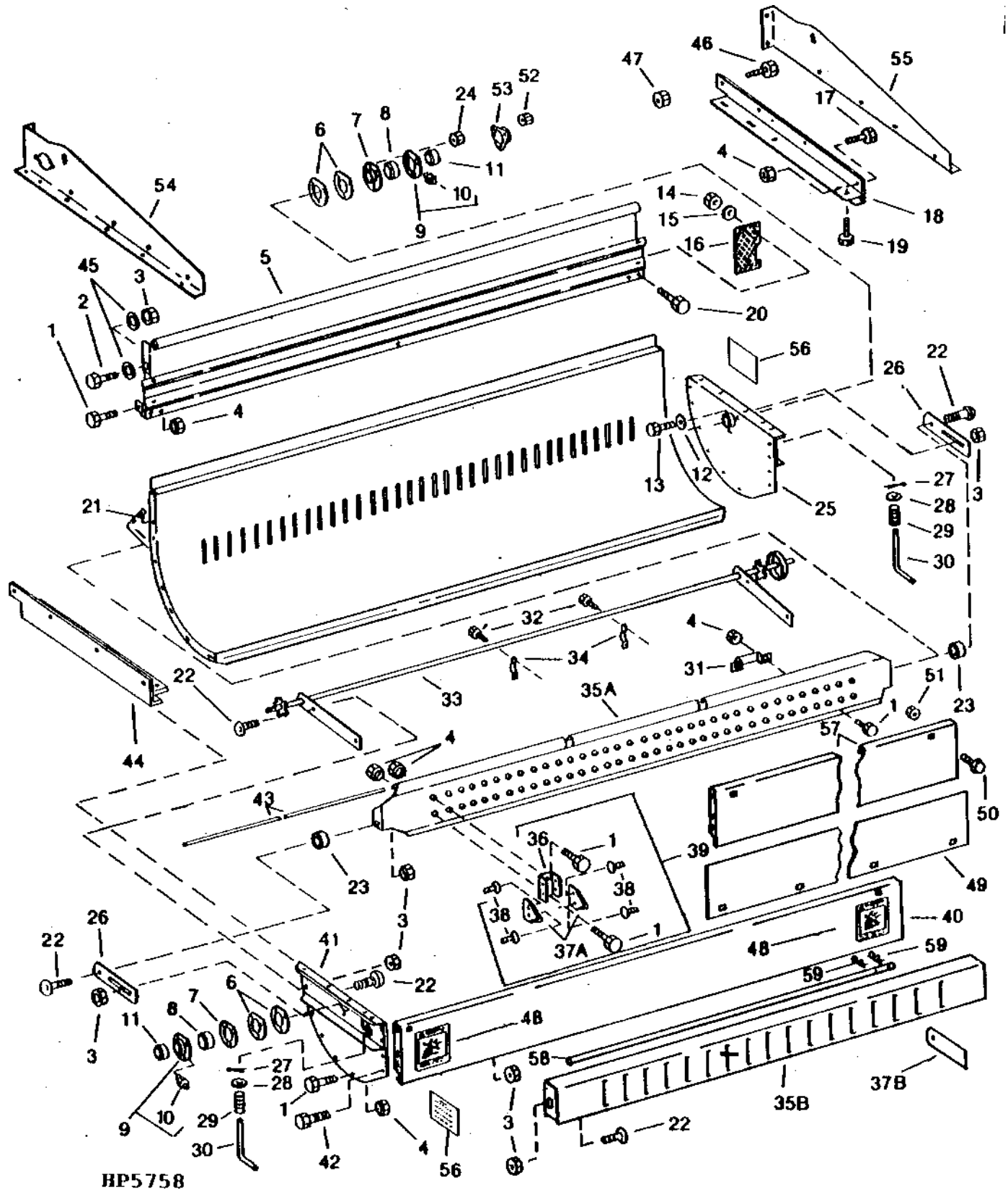
| KEY | PART NO. | PART NAME | QTY | SERIAL NO. | REMARKS |
|-----|----------------|------------------------------------|-----|------------|--|
| 1 | H126335 | PIPE | 1 | | |
| | H151182 | PIPE | 1 | 660301- | FOR WIDE SPREAD STRAW CHOPPER |
| 2 | H126334 | LOCK WASHER | 2 | | 11.230 X 22.230 X 1.140 MM (0.442" X 0.875" X 0.045") |
| 3 | A51212 | LOCK NUT | 2 | | M10 |
| 4 | 19M7835 | SCREW | 2 | | M10 X 35 |
| 5 | AH139790 | SHEET | 1 | | (SUB FOR AH138892 AND AH122946) |
| | AH144477 | SHEET | 1 | 660301- | FOR WIDE SPREAD STRAW CHOPPER |
| 6 | H126336 | PIPE | 1 | | |
| | H151181 | PIPE | 1 | 660301- | |
| 7 | AH125998 | SUPPORT | 1 | | |
| 8 | H130949 | VANE | 1 | | |
| | H150401 | DEFLECTOR | 1 | 660301- | FOR WIDE SPREAD STRAW COPPER |
| 9 | H114535 | VANE | 1 | | |
| | H150401 | DEFLECTOR | 1 | 660301- | FOR WIDE SPREAD STRAW CHOPPER |
| 10 | H114537 | VANE | 2 | | |
| | H150403 | DEFLECTOR | 2 | 660301- | FOR WIDE SPREAD CHOPPER |
| 11 | H128083 | WASHER | 4 | 650301- | 9 X 50.800 X 5 MM |
| 12 | 24M7207 | WASHER | 12 | | 8.400 X 24 X 2 MM |
| 13 | 03M7183 | BOLT | 12 | | M8 X 16 |
| | 14M7396 | LOCK NUT | 12 | | M8 |
| 14 | H114538 | VANE | 2 | | |
| | H150404 | DEFLECTOR | 2 | 660301- | FOR WIDE SPREAD STRAW CHOPPER |
| 15 | H114536 | VANE | 1 | | |
| | H150402 | DEFLECTOR | 1 | 660301- | FOR WIDE SPREAD STRAW CHOPPER |
| 16 | H130948 | VANE | 1 | | |
| | H150402 | DEFLECTOR | 1 | 660301- | FOR WIDE SPREAD STRAW CHOPPER |
| 17 | 03M7191 | BOLT | 2 | | M10 X 25 |
| 18 | 19M7167 | CAP SCREW | 2 | | M10 X 25 |
| 19 | 14M7298 | FLANGE NUT | 2 | | M8 |
| 20 | 03M7184 | BOLT | 2 | | M8 X 20 |
| 21 | H128124 | BRACKET | 1 | | |
| 22 | 14M7400 | LOCK NUT | 1 | | M10 |
| 23 | 14M7296 | FLANGE NUT | 1 | | M10 |
| 24A | 11M7009 | COTTER PIN | 1 | -651087 | 2 X 16 MM |
| 24B | 14M7396 | LOCK NUT | 1 | 651088- | |
| 25 | 24M7238 | WASHER | 2 | -651087 | 8.700 X 17 X 2 MM |
| 26A | 45M7044 | PIN | 1 | -651087 | 8 X 16 MM |
| 26B | 19M7866 | SCREW | 1 | 561088- | M8 X 20 |
| 27 | H144288 | DECAL | 2 | -660300 | (SUB H149102) "WARNING" CHOPPER ROTATES IN WINDROW POSITION |
| | H149102 | DECAL | 2 | | "WARNING" CHOPPER POSITION WIDE SPREAD CHOPPER - LABEL LOCATED ON REAR OF COMBINE HOOD |
| | H144290 | DECAL | 2 | -660100 | (SUB H149103) WARNING - CHOPPER POSITION (FRENCH) |
| | H149103 | DECAL | 2 | | "WARNING" CHOPPER POSITION (FRENCH) |
| 28 | 03M7184 | BOLT | 4 | 650301- | M8 X 20, USE WITH H128083 WASHER |
| | 14M7396 | LOCK NUT | 4 | 650301- | M8 |
| 29 | H150407 | SHEET | 1 | 660301- | FOR WIDE SPREAD STRAW CHOPPER |
| | H157108 | SHEET | 1 | | FINE CUT CHOPPER |
| 30 | 19M7866 | SCREW | 2 | 660301- | M8 X 20, FOR WIDE SPREAD STRAW CHOPPER |
| 31 | 14M7298 | FLANGE NUT | 2 | 660301- | M8, FOR WIDE SPREAD STRAW CHOPPER |
| .. | BH80155 | COMPLETE GOODS/SHIP. BUNDLE | 1 | | CORN CHOPPER WITH DRIVES |
| .. | BH80122 | COMPLETE GOODS/SHIP. BUNDLE | 1 | | STRAW CHOPPER WITH DRIVES |
| .. | BH81039 | COMPLETE GOODS/SHIP. BUNDLE | 1 | | WIDE SPREAD STRAW CHOPPER |

8F22

RESIDUE DISPOSAL

STRAW CHOPPER HOUSING AND KNIFEBANK

(-655300)
HP5758 -UN-01JAN94



HP5758

STRAW CHOPPER HOUSING AND KNIFEBANK - CONTINUED

(-655300)

| KEY | PART NO. | PART NAME | QTY | SERIAL NO. | REMARKS |
|-----|----------|--------------------------|-----|---------------|--|
| 1 | 19M7866 | SCREW | AR | | M8 X 20 |
| 2 | 19M7784 | SCREW | AR | | M10 X 20 |
| 3 | 14M7296 | FLANGE NUT | AR | | M10 |
| 4 | 14M7298 | FLANGE NUT | AR | | M8 |
| 5 | AH122917 | EXTENSION | 1 | -640300 | |
| | AH135392 | EXTENSION | 1 | 640301- | |
| 6 | H128709 | WASHER | 4 | -640300 | 80 X 124 X 4 MM (3.150" X 4.882" X 0.157") |
| 7 | H131161 | PRESSED FLANGED HOUSING | 2 | -640300 | |
| 8 | JD10387 | BALL BEARING | 2 | -640300 | |
| | AH139260 | BEARING | 2 | 640301- | BEARING IS PART OF CAST HOUSING |
| 9 | AH126221 | PRESSED FLANGED HOUSING | 2 | -640300 | |
| 10 | JD7846 | LUBRICATION FITTING | 2 | | 45° X 20.447 MM LONG (0.805" LONG) |
| 11 | JD8576 | ECCENTRIC LOCKING COLLAR | 2 | | |
| 12 | 24M7239 | WASHER | 6 | | 10.700 X 21 X 2.500 MM |
| 13 | 19M7835 | SCREW | 3 | | M10 X 35 |
| | 19M7805 | SCREW | 3 | 640301- | M10 X 45 |
| 14 | 14M7396 | LOCK NUT | 2 | -640300 | M8 |
| 15 | 24M7207 | WASHER | 2 | -640300 | 8.400 X 24 X 2 MM |
| 16 | H131612 | GUARD | 2 | -640300 | |
| 17 | 19M7867 | SCREW | AR | | M8 X 25 |
| 18 | AH130483 | ANGLE | 1 | -640300 | RH |
| | AH139679 | SUPPORT | 1 | | (SUB FOR AH138628) R.H. |
| 19 | 19M7786 | SCREW | AR | | M10 X 30 |
| 20 | 19M7407 | CAP SCREW | 2 | -640300 | M8 X 25 |
| 21 | AH123011 | SHEET | 1 | -640300 | (SUB AH143047, AH140128, H149993, (35) H142141, (2) H114001, (2) 03M7191 AND (2) 14M7296) |
| | AH138154 | SHEET | 1 | | (SUB AH143047, H149993, AH140128, (35) H142141, (2) H114001, (2) 03M7191 AND (2) 14M7296) (SUB FOR AH136637) |
| 22 | 03M7191 | BOLT | AR | | M10 X 25 |
| 23 | 28H1518 | WASHER | 1 | -641050 | 12.522 X 17.145 X 7.925 MM (0.493" X 0.675" X 5/16") |
| 24 | 14M7517 | LOCK NUT | 6 | | M10 |
| 25 | AH131866 | SHEET | 1 | | |
| 26 | H84992 | STRAP | 2 | -641050 | |
| 27 | 11M7059 | COTTER PIN | 2 | | 3.200 X 20 MM |
| 28 | 24H1341 | WASHER | 2 | | 17/32" X 15/16" X 0.060" |
| 29 | B28970 | SPRING | 2 | | |
| 30 | H136179 | PIN | 2 | | |
| 31 | H85184 | HANDLE | 2 | | |
| 32 | 03M7184 | BOLT | 4 | | M8 X 20 |
| 33 | AH135836 | DRIVE SPROCKET | 1 | | (SUB FOR AH121492) |
| 34 | H84990 | CLAMP | 4 | | |
| 35A | H128113 | SUPPORT | 1 | -640300 | |
| 35B | AH135548 | CHANNEL | 1 | 640301-641049 | (SUB AH140128) |
| | AH140128 | CHANNEL | 1 | | (INCLUDES B27835) |
| 36 | H88800 | CHANNEL | AR | -640300 | DOUBLE BLADE BRACKET |
| | P48067 | BRACKET | 2 | -640300 | SINGLE BLADE BRACKET |
| 37A | E76372 | SECTION | AR | -641049 | |
| 37B | H142141 | KNIFE | 35 | 641050- | |
| 38 | Z5086H | RIVET | AR | -640300 | |
| 39 | AH89918 | BRACKET | AR | -640300 | |
| | AP23601 | BRACKET | 1 | -640300 | |
| 40 | AH139790 | SHEET | 1 | | (SUB FOR AH138892 AND AH122946) |
| 41 | AH131865 | SHEET | 1 | -640300 | |
| | AH138156 | SHEET | 1 | | (SUB FOR AH135461) (SUB AH165937) L.H. |
| | AH165937 | SHEET | 1 | | L.H. |
| | AH138157 | SHEET | 1 | | (SUB FOR AH135462) (SUB AH165936) R.H. |
| | AH165936 | SHEET | 1 | | R.H. |

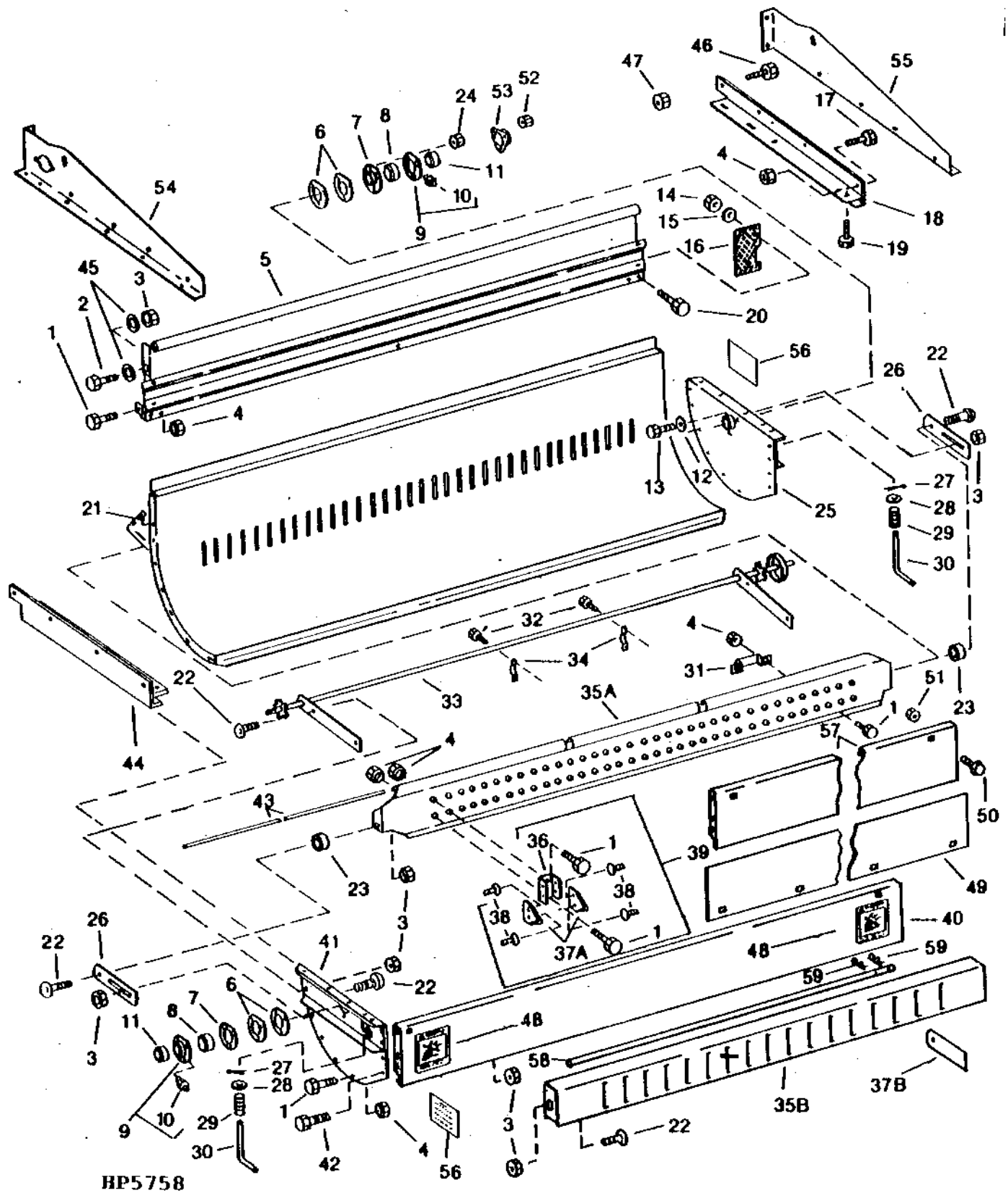
8F24

RESIDUE DISPOSAL

STRAW CHOPPER HOUSING AND KNIFEBANK - CONTINUED

(-655300)

HP5758 -UN-01JAN94



8F25

RESIDUE DISPOSAL

STRAW CHOPPER HOUSING AND KNIFE BANK - CONTINUED
(-655300)

| KEY | PART NO. | PART NAME | QTY | SERIAL NO. | REMARKS |
|-----|----------------|------------------------------------|----------|---------------|--|
| 42 | 19M7785 | SCREW | AR | | M10 X 25 |
| 43 | H100416 | DOWEL PIN | 1 | -641050 | MAKE FROM H99025 - CUT AT 64.62" |
| | H99025 | DOWEL PIN | 1 | -641050 | |
| 44 | AH130482 | ANGLE | 1 | -640300 | LH |
| | AH138629 | SUPPORT | 1 | 640301-641245 | (SUB AH139680) LH |
| | AH139680 | SUPPORT | 1 | | |
| 45 | H126334 | LOCK WASHER | 1 | | 11.230 X 22.230 X 1.140 MM (0.442" X 0.875" X 0.045") ONLY USED IN 9400 SERIES |
| 46 | 19M7810 | SCREW | 4 | -641842 | M10 X 80 |
| | 19M7809 | SCREW | 4 | 641843- | M10 X 70 |
| 47 | 14M7400 | LOCK NUT | 4 | | M10 |
| 48 | H144288 | DECAL | 2 | 636611- | (SUB H149102) WARNING - CHOPPER POSITION |
| | H144290 | DECAL | 2 | | (SUB H149103) WARNING - CHOPPER POSITION (FRENCH) |
| 49 | H144298 | SHIELD | 1 | 640301-640730 | (SUB H145853) |
| | H145853 | SHIELD | 1 | -640873 | (SUB H146307) |
| | H146307 | SHIELD | 1 | | |
| 50 | 03M7184 | BOLT | 9 | 640301- | M8 X 20 |
| 51 | 14M7298 | FLANGE NUT | 9 | 640301- | M8 |
| 52 | 14M7274 | NUT | 3 | 640101- | M10 |
| | 14M7274 | NUT | 3 | 640301- | M10 |
| 53 | H145319 | COVER | 1 | 640301- | |
| 54 | AH139680 | SUPPORT | 1 | 640301- | L.H. |
| 55 | AH139679 | SUPPORT | 1 | 640301- | R.H. |
| 56 | H145857 | LABEL | 2 | -29SEP7 | |
| | H165247 | LABEL | 2 | 29SEP7- | CHOPPER POSITION - ON BOTH SIDES |
| 57 | H145779 | RAIL | 2 | 640301- | FRONT AND REAR |
| 58 | H141135 | PIN | 1 | 641050- | 10 X 1 491 MM (0.394" X 58.701") (SUB H149993) |
| | H149993 | PIN | 1 | | 10 X 1 491 MM (0.394" X 58.701") |
| 59 | J16931 | SPRING LOCKING PIN | 2 | 641050-641464 | |
| | 11M7059 | COTTER PIN | 2 | 641465- | 3.200 X 20 MM (0.126" X 0.787") |
| .. | BH80155 | COMPLETE GOODS/SHIP. BUNDLE | 1 | | CORN CHOPPER WITH DRIVES |

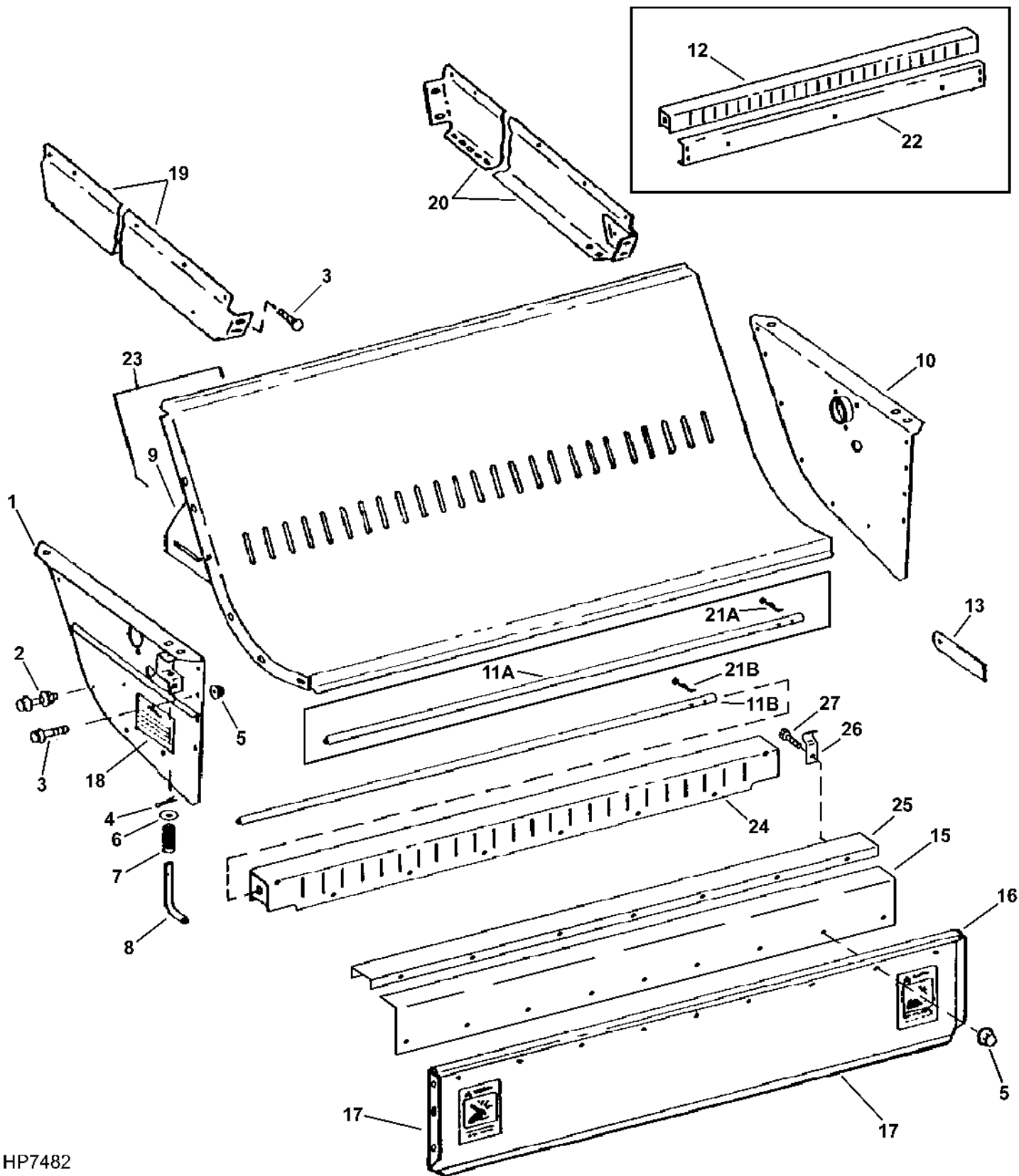
BH80155 (COMPLETE GOODS) CORN CHOPPER W/DRIVES

8G1

RESIDUE DISPOSAL

STRAW CHOPPER HOUSING AND KNIFEBANK

(655301-)
HP7482 -UN-15APR98



HP7482

STRAW CHOPPER HOUSING AND KNIFEBANK - CONTINUED
(655301-)

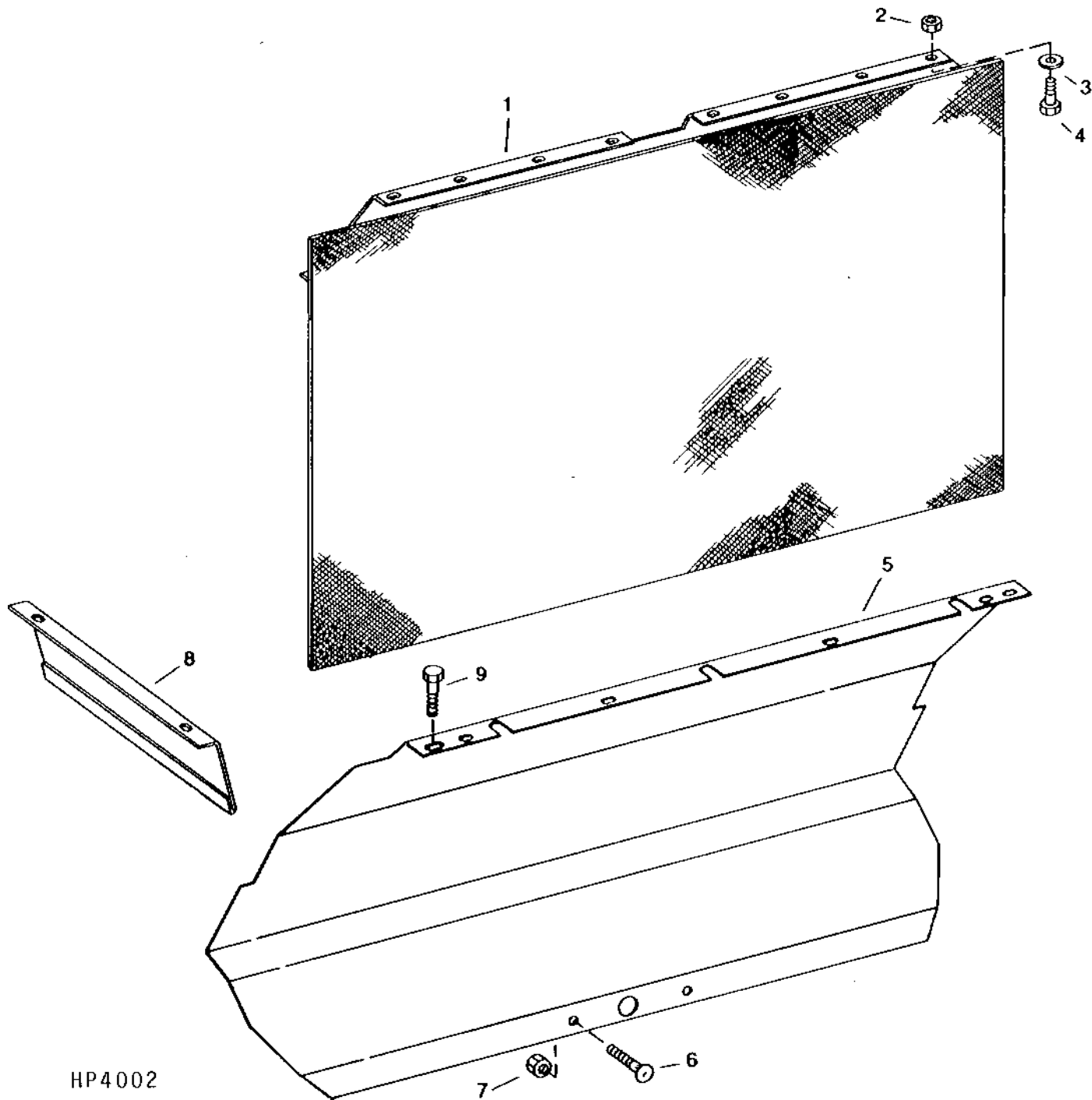
| KEY | PART NO. | PART NAME | QTY | SERIAL NO. | REMARKS |
|-----|----------------|------------------------------------|----------|---------------|--|
| 1 | AH138156 | SHEET | 1 | | (SUB AH165937) L.H. |
| | AH165937 | SHEET | 1 | | L.H. |
| 2 | 19M7866 | SCREW | AR | | M8 X 20 |
| 3 | 19M7785 | SCREW | 4 | | M10 X 25 |
| 4 | 11M7059 | COTTER PIN | 2 | | 3.200 X 20 MM |
| 5 | 14M7298 | FLANGE NUT | AR | | M8 |
| 6 | 24H1341 | WASHER | 2 | | 17/32" X 15/16" X 0.060" |
| 7 | B28970 | SPRING | 2 | | |
| 8 | H136179 | PIN | 2 | | |
| 9 | H149026 | SUPPORT | 1 | 656808- | R.H. |
| | H149027 | SUPPORT | 1 | 656808- | L.H. |
| 10 | AH138157 | SHEET | 1 | | (SUB AH165936) R.H. |
| | AH165936 | SHEET | 1 | | R.H. |
| 11A | H141135 | PIN | 1 | -651404 | 10 X 1 491 MM (0.394" X 58.701") (SUB H149993) |
| 11B | H149993 | PIN | 1 | | 10 X 1 491 MM (0.394" X 58.701") |
| 12 | AH140128 | CHANNEL | 1 | | |
| 13 | H142141 | KNIFE | 35 | | |
| 14 | 19M7866 | SCREW | AR | | M8 X 20 |
| 15 | H146307 | SHIELD | 1 | | |
| 16 | AH139790 | SHEET | 1 | | |
| 17 | H144288 | DECAL | 2 | -660300 | (SUB H149102) "WARNING" CHOPPER POSITION |
| | H149102 | DECAL | 2 | | "WARNING" CHOPPER POSITION |
| 18 | H145857 | LABEL | 1 | -29SEP7 | "IMPORTANT" CHOPPER POSITION |
| | H165247 | LABEL | 2 | 29SEP7- | CHOPPER POSITION - ON EACH SIDE |
| | H145858 | LABEL | 1 | | "WARNING" CHOPPER POSITION (FRENCH) |
| 19 | AH139680 | SUPPORT | 1 | | L.H. |
| 20 | AH139679 | SUPPORT | 1 | | R.H. |
| 21A | 11M7059 | COTTER PIN | 2 | -651404 | 3.200 X 20 MM |
| 21B | H114001 | QUICK LOCK PIN | 1 | 651405- | |
| 22 | H145779 | RAIL | 1 | | |
| 23 | AH143047 | SHEET | 1 | | |
| 24 | AH149676 | KNIFE | 1 | 671189-29SEP7 | FINE CUT CHOPPER |
| | AH158820 | CHANNEL | 1 | 29SEP7- | FINE CUT CHOPPER |
| 25 | H157041 | SUPPORT | 1 | 29SEP7- | FINE CUT CHOPPER |
| 26 | H157103 | CLIP | 7 | 29SEP7- | |
| 27 | 19M7867 | SCREW | 14 | 29SEP7- | |
| .. | BH81363 | COMPLETE GOODS/SHIP. BUNDLE | 1 | | |

BH81363 (COMPLETE GOODS) FINE CUT CHOPPER CONVERSION

8G3

RESIDUE DISPOSAL

CORN CURTAIN AND DEFLECTORS (OPTIONAL)
HP4002 -UN-01JAN94



8G4

RESIDUE DISPOSAL

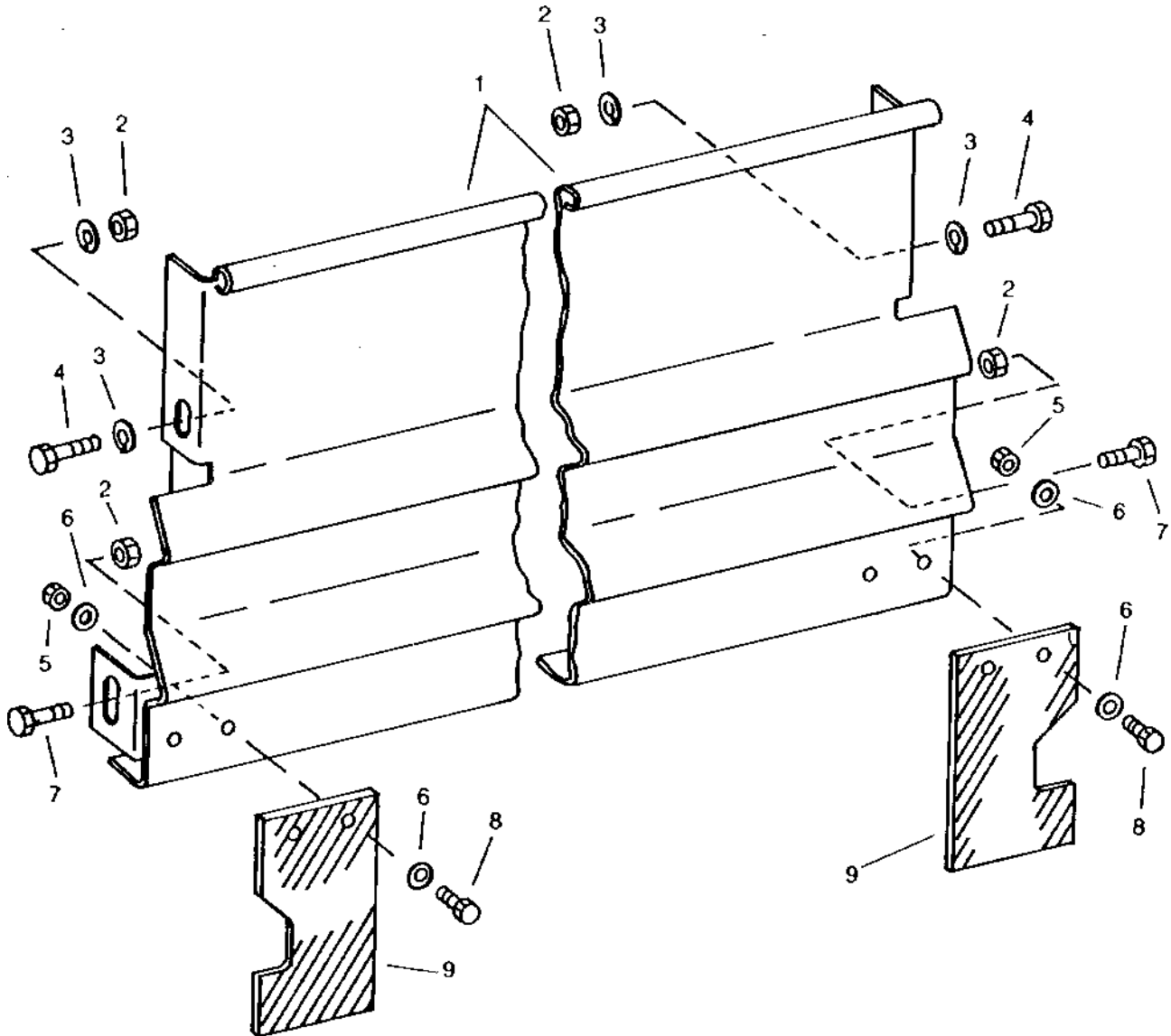
CORN CURTAIN AND DEFLECTORS (OPTIONAL) - CONTINUED

| KEY | PART NO. | PART NAME | QTY | SERIAL NO. | REMARKS |
|-----|----------------|------------------------------------|----------|---------------|---|
| 1 | AH117264 | SUPPORT | 1 | | |
| 2 | 14M7298 | FLANGE NUT | 8 | | M8 |
| 3 | 24M7207 | WASHER | 2 | | 8.400 X 24 X 2 MM |
| 4 | 19M7865 | SCREW | 14 | | M8 X 16 |
| 5 | H136134 | DEFLECTOR | 1 | -640300 | |
| | H141086 | DEFLECTOR | 1 | 640301-671608 | |
| 6 | 03M7183 | BOLT | 2 | -671608 | M8 X 16 |
| 7 | 14M7298 | FLANGE NUT | 2 | -671608 | M8 |
| 8 | H134889 | DEFLECTOR | 2 | | CORN AND GRAIN |
| 9 | 37M7092 | SCREW | 6 | -640300 | M8 X 16 |
| | 37M7058 | SCREW | 6 | 640301- | M8 X 20 |
| .. | BH80122 | COMPLETE GOODS/SHIP. BUNDLE | 1 | | STRAW CHOPPER WITH DRIVES |
| .. | BH80155 | COMPLETE GOODS/SHIP. BUNDLE | 1 | | CORN CHOPPER WITH DRIVES |
| .. | BH80065 | COMPLETE GOODS/SHIP. BUNDLE | 1 | | LOWER STRAW CHOPPER |
| .. | BH80075 | COMPLETE GOODS/SHIP. BUNDLE | 1 | | STRAW CHOPPER, LOWER WITH CHAFF SPREADER |

8G5

RESIDUE DISPOSAL

STRAW CHOPPER DOOR
HP3785 -UN-01JAN94



HP3785

8G6

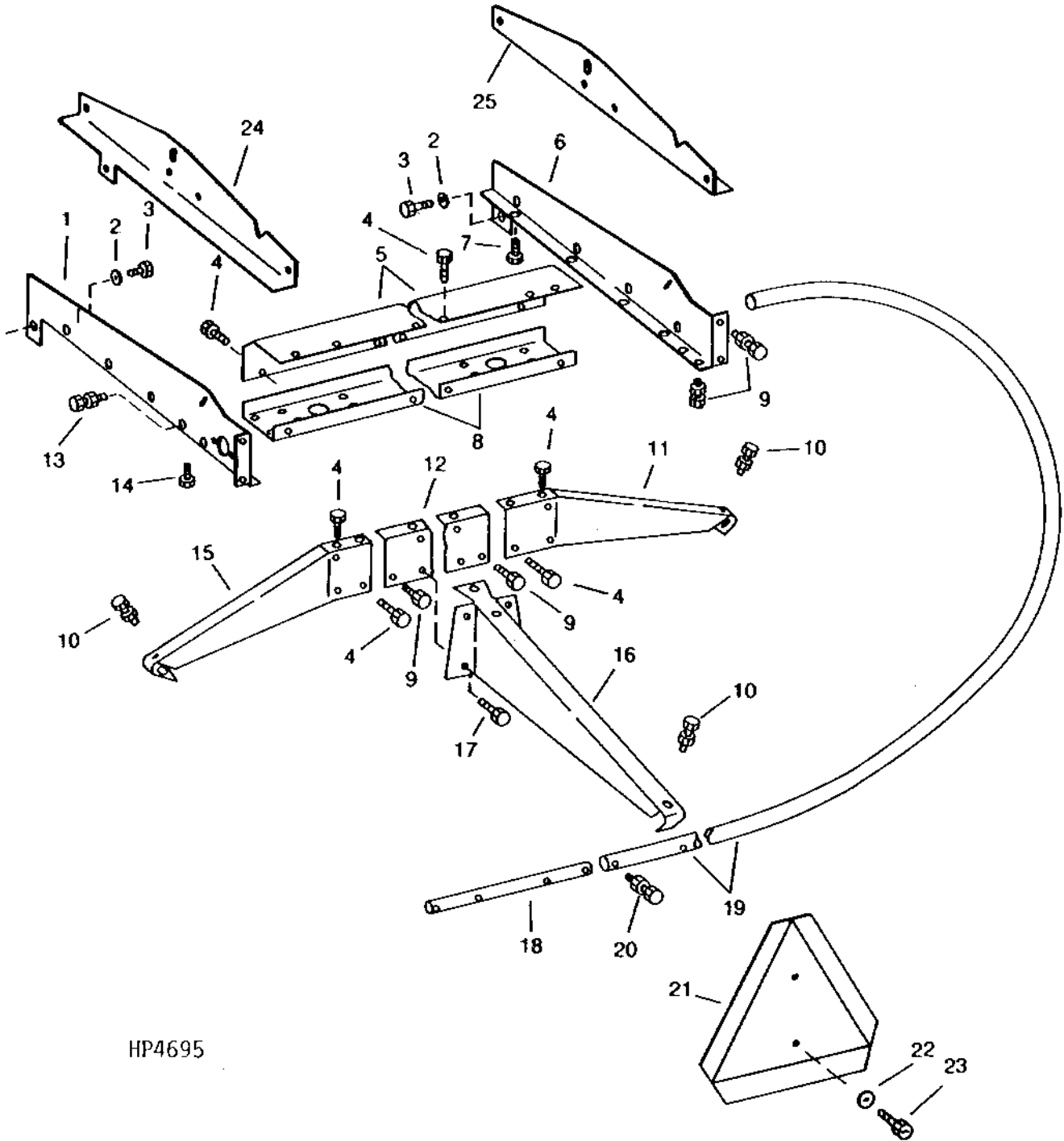
RESIDUE DISPOSAL

STRAW CHOPPER DOOR - CONTINUED

| KEY | PART NO. | PART NAME | QTY | SERIAL NO. | REMARKS |
|-----|----------------|------------------------------------|----------|------------|---|
| 1 | AH122917 | EXTENSION | 1 | -640300 | |
| | AH135392 | EXTENSION | 1 | -646993 | (SUB AH142777) |
| | AH142777 | EXTENSION | 1 | | |
| 2 | 14M7400 | LOCK NUT | 4 | | M10 |
| 3 | H126334 | LOCK WASHER | 4 | | 11.230 X 22.230 X 1.140 MM (0.442" X 0.875" X 0.045") |
| 4 | 19M7786 | SCREW | 2 | | M10 X 30 |
| 5 | 14M7396 | LOCK NUT | 4 | | M8 |
| 6 | 24M7207 | WASHER | 8 | | 8.400 X 24 X 2 MM |
| 7 | 19M7167 | CAP SCREW | 2 | | M10 X 25 |
| 8 | 19M7407 | CAP SCREW | 4 | | M8 X 25 |
| 9 | H131612 | GUARD | 2 | | |
| .. | BH80122 | COMPLETE GOODS/SHIP. BUNDLE | 1 | | STRAW CHOPPER WITH DRIVES |
| .. | BH80155 | COMPLETE GOODS/SHIP. BUNDLE | 1 | | CORN CHOPPER WITH DRIVES |
| .. | BH80065 | COMPLETE GOODS/SHIP. BUNDLE | 1 | | LOWER STRAW CHOPPER |
| .. | BH80075 | COMPLETE GOODS/SHIP. BUNDLE | 1 | | STRAW CHOPPER, LOWER WITH CHAFF SPREADER |

STRAW SPREADER MOUNTING AND GUARD

HP4695 -UN-01JAN94



HP4695

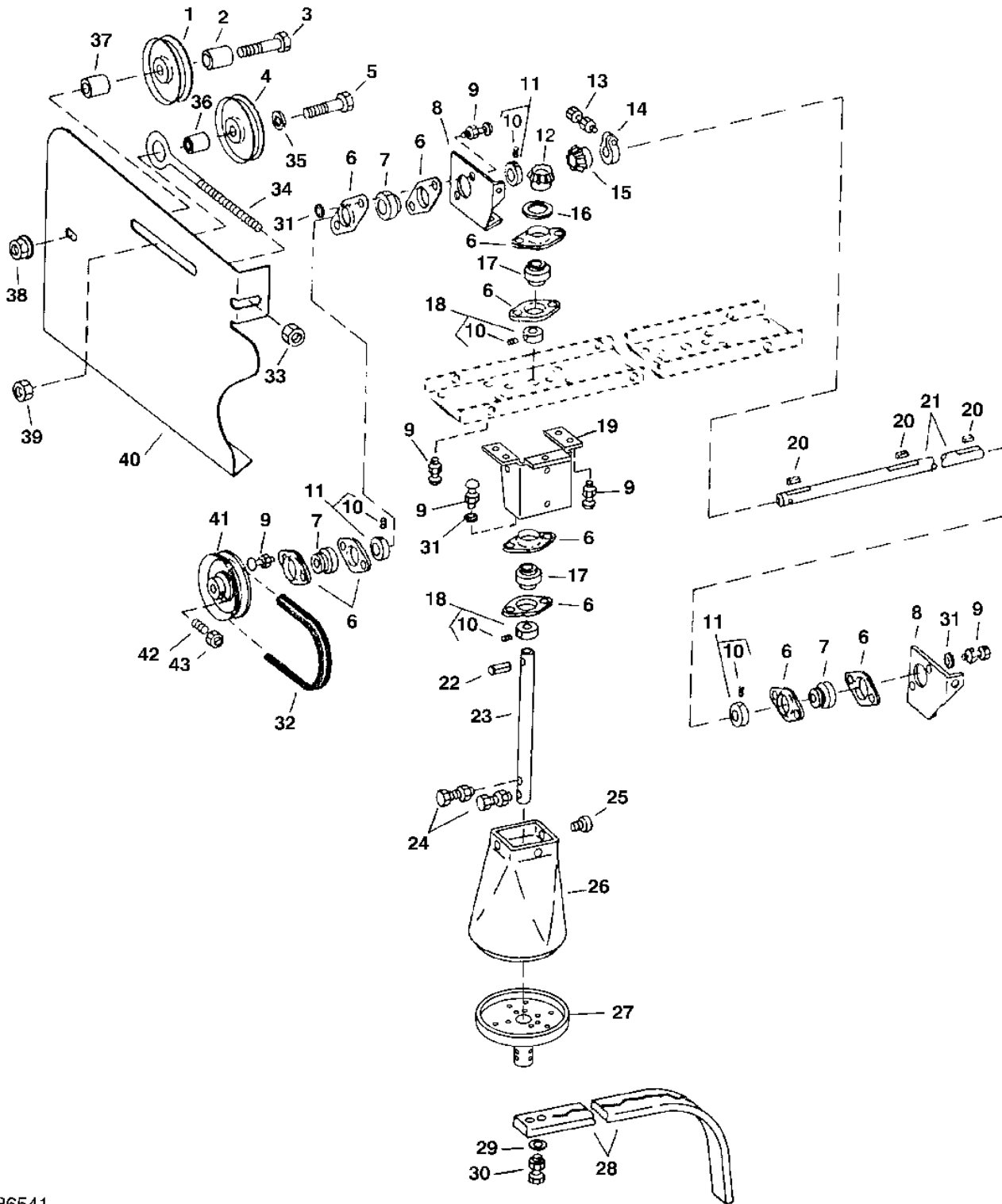
STRAW SPREADER MOUNTING AND GUARD - CONTINUED

| KEY | PART NO. | PART NAME | QTY | SERIAL NO. | REMARKS |
|-----|----------------|------------------------------------|----------|------------|---|
| 1 | AH134439 | ANGLE | 1 | | L.H. |
| 2 | 12H301 | LOCK WASHER | 1 | | 1/2" |
| 3 | 19H1792 | CAP SCREW | 1 | | 1/2" X 1" |
| 4 | H65108 | SCREW | 1 | -651985 | 7.938 X 12.700 MM (5/16" X 1/2") (SUB H78354) |
| | H78354 | SCREW | 1 | | 7.938 X 14.224 MM (5/16" X 0.560") |
| 5 | H117695 | SUPPORT | 1 | | |
| 6 | AH134438 | ANGLE | 1 | | R.H. |
| 7 | 19M7784 | SCREW | 1 | | M10 X 20 |
| 8 | H117691 | SUPPORT | 1 | | |
| 9 | 19M7784 | SCREW | 11 | | M10 X 20 |
| | 14M7296 | FLANGE NUT | 1 | | M10 |
| 10 | 19M7979 | SCREW | 11 | | M8 X 55 |
| | 14M7396 | LOCK NUT | 1 | | M8 |
| 11 | H121575 | SUPPORT | 1 | | |
| 12 | H117693 | SUPPORT | 1 | | |
| 13 | 19M7866 | SCREW | 4 | | M8 X 20 |
| | 14M7298 | FLANGE NUT | 4 | | M8 |
| 14 | 19M7785 | SCREW | 4 | | M10 X 25 |
| 15 | H121576 | SUPPORT | 1 | | |
| 16 | H121574 | SUPPORT | 1 | | |
| 17 | 37M7058 | SCREW | 5 | | M8 X 20 |
| 18 | H95203 | TUBE | 1 | | |
| 19 | AH85415 | GUARD | 2 | | |
| 20 | 19M7295 | CAP SCREW | 2 | | M8 X 45 |
| | 19M7269 | CAP SCREW | 1 | | M8 X 50 |
| | 14M7396 | LOCK NUT | 1 | | M8 |
| 21 | TY2615 | SMV EMBLEM | 1 | | |
| 22 | 24M7139 | WASHER | 2 | | 6.400 X 18 X 1.600 MM |
| 23 | 37M7131 | SCREW | 2 | | M6 X 20 |
| 24 | AH138971 | REINFORCEMENT | 1 | | L.H. |
| 25 | AH138972 | REINFORCEMENT | 1 | | R.H. |
| .. | BH80005 | COMPLETE GOODS/SHIP. BUNDLE | 1 | | STRAW CHOPPER SPREADER WITH DRIVES |

8G9

RESIDUE DISPOSAL

STRAW SPREADER
HP6541 -UN-23AUG96



HP6541

8G10

RESIDUE DISPOSAL

STRAW SPREADER - CONTINUED

| KEY | PART NO. | PART NAME | QTY | SERIAL NO. | REMARKS |
|-----|----------------|------------------------------------|----------|---------------|---|
| 1 | AH14097 | SHEAVE | 1 | | |
| 2 | 28H1600 | SPACER | 1 | | 13.868 X 21.336 X 25.400 MM (0.546" X 0.840" X 1") |
| 3 | 19M7819 | SCREW | 1 | | M12 X 90 |
| 4 | AM103480 | IDLER | 1 | -638004 | (SUB AM108923) |
| | AM108923 | IDLER | 1 | 638005-646459 | (SUB AM103480) |
| | AM103480 | IDLER | 1 | | |
| 5 | 19M7825 | SCREW | 1 | | M16 X 65 |
| 6 | P44439 | PRESSED FLANGED HOUSING | 14 | | |
| 7 | JD8665 | BALL BEARING | 1 | | |
| 8 | H135493 | SUPPORT | 3 | | |
| 9 | 03H1540 | BOLT | 20 | | 5/16" X 3/4" |
| 10 | 14H785 | NUT | 8 | | 5/16" |
| 11 | JD8554 | ECCENTRIC LOCKING COLLAR | 4 | | |
| 12 | H91228 | GEAR | 2 | | |
| 13 | 19M7572 | CAP SCREW | 2 | | M10 X 45 |
| | 14M7296 | FLANGE NUT | 2 | | M10 |
| 14 | M2300T | CLAMP | 2 | -640300 | (SUB H145112) |
| | H145112 | CLAMP | 2 | | |
| 15 | H91796 | GEAR | 2 | | SET OF TWO GEARS |
| 16 | 24H1433 | WASHER | 2 | | 29/32" X 2-1/4" X 1/4" |
| 17 | JD9442 | BALL BEARING | 4 | | |
| 18 | JD8563 | ECCENTRIC LOCKING COLLAR | 4 | | |
| 19 | AH131166 | SUPPORT | 2 | | |
| 20 | M15973 | SHAFT KEY | 3 | | (SUB H167587) |
| | H167587 | KEY | 3 | | |
| 21 | H134717 | DRIVE SHAFT | 1 | | |
| 22 | 25H1182 | GROOVE PIN | 2 | | 7.938 X 44.450 MM (5/16" X 1-3/4") |
| 23 | H135494 | PIN | 2 | | 22.225 X 367 MM (7/8" X 14.449") |
| 24 | 19M8318 | SCREW | 2 | | M8 X 45 |
| | 14M7396 | LOCK NUT | 2 | | M8 |
| 25 | 37M7058 | SCREW | 6 | | M8 X 20 |
| 26 | H83795 | GUARD | 2 | | |
| 27 | AH131165 | PLATE | 2 | -645968 | (SUB AH141184) |
| | AH141184 | CAP | 2 | | |
| 28 | H131614 | BLADE | 1 | | |
| 29 | 24M7207 | WASHER | 12 | | 8.400 X 24 X 2 MM |
| 30 | 19M7322 | CAP SCREW | 12 | | M8 X 35 |
| | 14M7396 | LOCK NUT | 12 | | M8 |
| 31 | 24M7238 | WASHER | 10 | | 8.700 X 17 X 2 MM |
| 32 | H128234 | BELT | 1 | | |
| | H22529 | BELT | 1 | | FINE CUT CHOPPER |
| 33 | 14M7291 | FLANGE NUT | 1 | | M16 |
| 34 | H127583 | EYEBOLT | 1 | | |
| 35 | 24H1772 | WASHER | 1 | | 21/32" X 1" X 0.105", (SUB 24H1365) THIS APPLICATION ONLY |
| | 24H1365 | WASHER | 1 | | 21/32" X 1" X 0.090" |
| 36 | Z33404 | SPACER | 1 | | 17.800 X 25 X 11 MM (0.701" X 0.984" X 0.433") |
| 37 | 28H2514 | BUSHING | 1 | | 13.868 X 21.336 X 19.050 MM (0.546" X 0.840" X 3/4") |
| 38 | 14M7299 | FLANGE NUT | 1 | | M12 |
| 39 | 14M7291 | FLANGE NUT | 1 | | M16 |
| 40 | H135017 | BRACKET | 1 | | |
| 41 | AH130964 | SHEAVE | 2 | | |
| 42 | H138435 | SET SCREW | 4 | | M10 X 25 |
| 43 | 14M7152 | NUT | 1 | | M10 |
| .. | BH80005 | COMPLETE GOODS/SHIP. BUNDLE | 1 | | STRAW SPREADER WITH DRIVE |

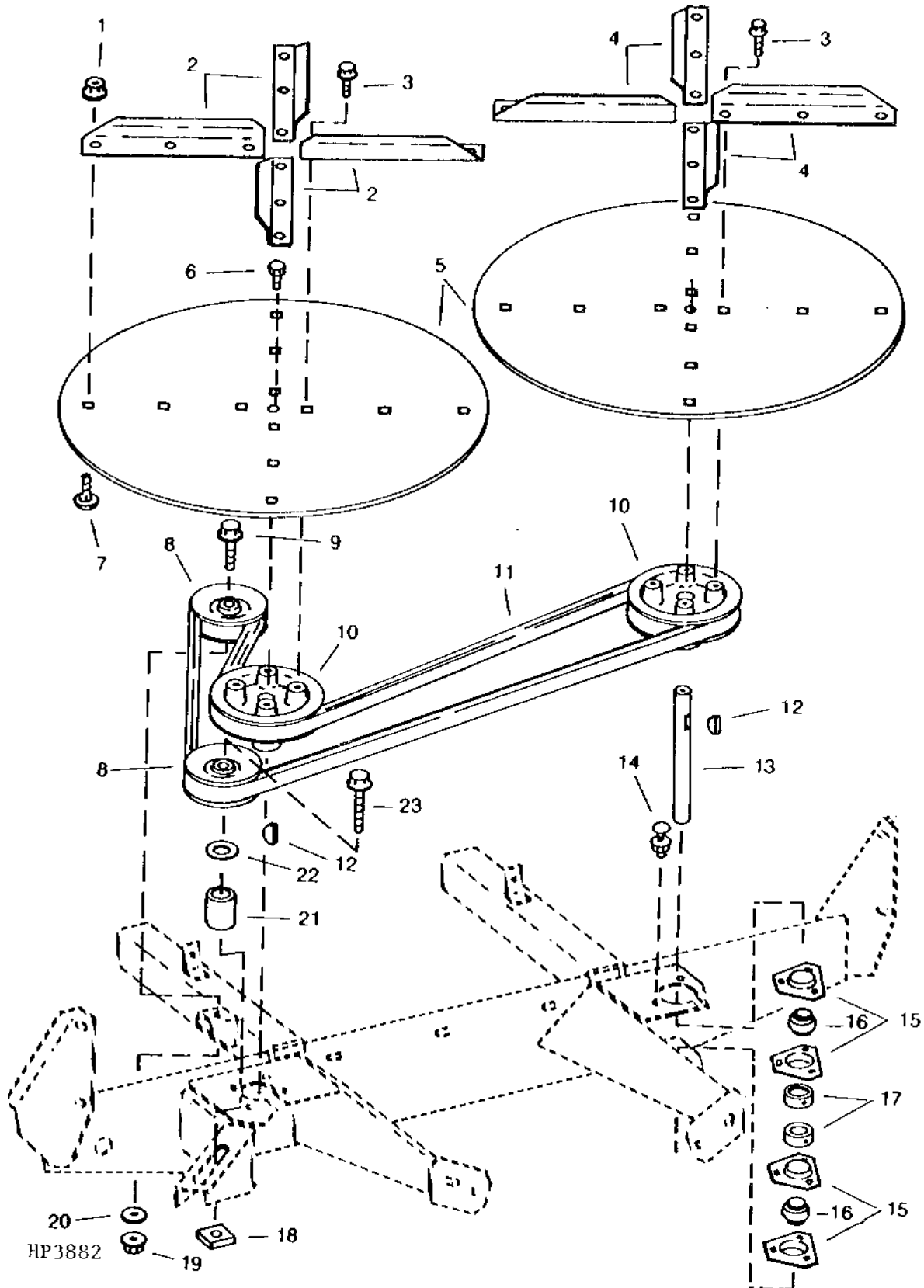
8G11

RESIDUE DISPOSAL

CHAFF SPREADER DISC (BELT TYPE)

(-650300)

HP3882 -UN-01JAN94



8G12

RESIDUE DISPOSAL

CHAFF SPREADER DISC AND BELT TYPE - CONTINUED
(-650300)

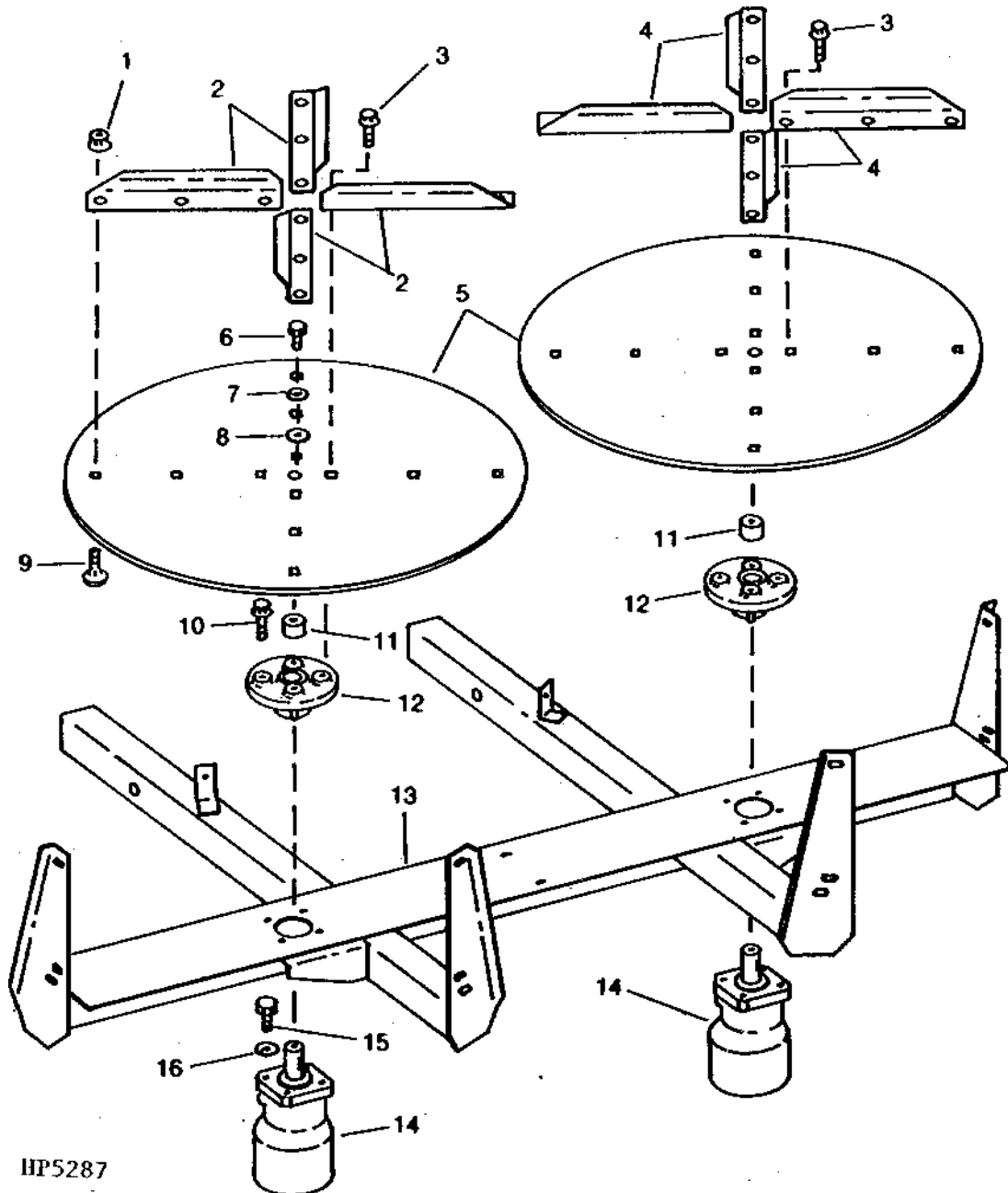
| KEY | PART NO. | PART NAME | QTY | SERIAL NO. | REMARKS |
|-----|----------------|------------------------------------|----------|---|---------|
| 1 | 14M7396 | LOCK NUT | 16 | M8 | |
| 2 | H140162 | ANGLE | 4 | | |
| 3 | 19M7865 | SCREW | 8 | M8 X 16 | |
| 4 | H140161 | ANGLE | 4 | | |
| 5 | H136257 | DISK | 2 | | |
| 6 | 19M7867 | SCREW | 1 | M8 X 25 | |
| 7 | 03M7184 | BOLT | 16 | M8 X 20 | |
| 8 | AH134444 | SHEAVE | 2 | | |
| 9 | 19M8112 | SCREW | 1 | M12 X 55 | |
| 10 | H139670 | SHEAVE | 2 | | |
| 11 | M95728 | BELT | 1 | | |
| 12 | 26H22 | SHAFT KEY | 2 | | |
| 13 | H138303 | SHAFT | 1 | | |
| 14 | 03M7184 | BOLT | 3 | M8 X 20 | |
| | 14M7298 | FLANGE NUT | 3 | M8 | |
| 15 | H103264 | PRESSED FLANGED HOUSING | 4 | | |
| 16 | JD9273 | BALL BEARING | 2 | | |
| 17 | JD8554 | ECCENTRIC LOCKING COLLAR | 2 | | |
| 18 | H130957 | NUT | 1 | M12 | |
| 19 | 14M7299 | FLANGE NUT | 1 | M12 | |
| 20 | 24H1790 | WASHER | 1 | 17/32" X 1-1/2" X 0.164" | |
| 21 | 28H3315 | BUSHING | 1 | 15.215 X 33.401 X 39.675 MM (0.599" X 1.315" X 1-9/16") | |
| 22 | 24M7047 | WASHER | 1 | 13 X 24 X 2.500 MM | |
| 23 | 19M7819 | SCREW | 1 | M12 X 90 | |
| .. | BH80261 | COMPLETE GOODS/SHIP. BUNDLE | 1 | CHAFF SPREADER LESS 4-WHEEL DRIVE | |

8G13

RESIDUE DISPOSAL

CHAFF SPREADER DISC (DUAL MOTOR)

(650301-)
HP5287 -UN-01JAN94



HP5287

8G14

RESIDUE DISPOSAL

CHAFF SPREADER DISC (DUAL MOTOR)
(650301-)

| KEY | PART NO. | PART NAME | QTY | SERIAL NO. | REMARKS |
|-----|----------------|------------------------------------|----------|-----------------------|--|
| 1 | 14M7396 | LOCK NUT | 16 | M8 | |
| 2 | H140162 | ANGLE | 4 | | |
| 3 | 19M7865 | SCREW | 8 | M8 X 16 | |
| 4 | H140161 | ANGLE | 4 | | |
| 5 | H136257 | DISK | 2 | | |
| 6 | 19H1898 | CAP SCREW | 2 | 1/4" X 1-1/2" | |
| 7 | 12H302 | LOCK WASHER | 2 | 1/4" | |
| 8 | 24H1287 | WASHER | 2 | 9/32" X 5/8" X 0.065" | |
| 9 | 03M7184 | BOLT | 16 | M8 X 20 | |
| 10 | 19M7865 | SCREW | 8 | M8 X 16 | |
| 11 | H123918 | SPACER | 2 | | |
| 12 | H143955 | HUB | 2 | | |
| 13 | AH137752 | FRAME | 1 | | |
| 14 | AH127887 | MOTOR | 2 | -655995 | (SUB AH141858) |
| | AH141858 | MOTOR | 2 | | |
| 15 | 19H1731 | CAP SCREW | 8 | 3/8" X 1" | |
| 16 | 12H304 | LOCK WASHER | 8 | 3/8" | |
| .. | BH80261 | COMPLETE GOODS/SHIP. BUNDLE | 1 | | CHAFF SPREADER LESS 4-WHEEL DRIVE |
| .. | BH80262 | COMPLETE GOODS/SHIP. BUNDLE | 1 | | CHAFF SPREADER FOR 4-WHEEL DRIVE |

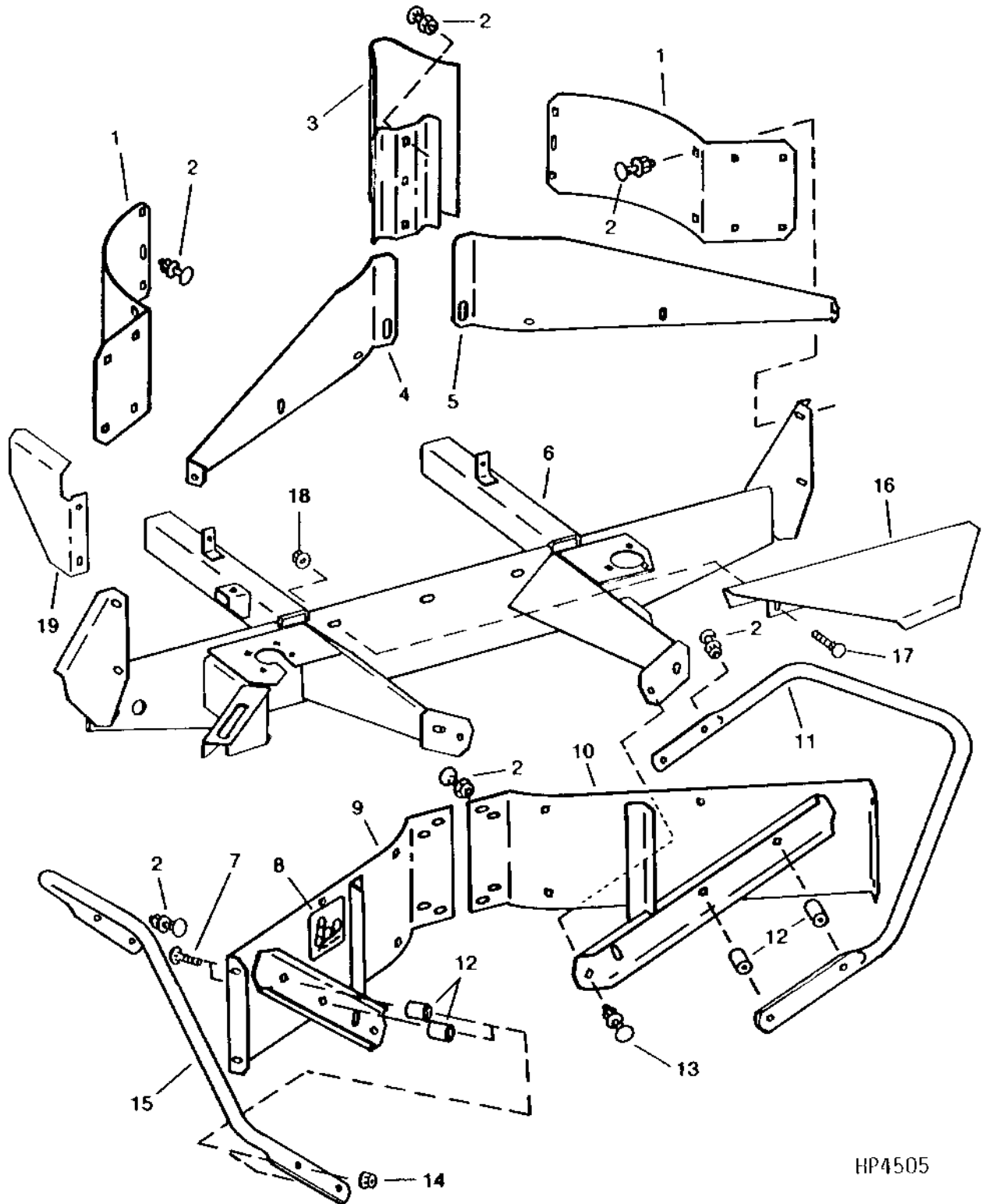
8G15

RESIDUE DISPOSAL

CHAFF SPREADER FRAME, SHIELDS AND HANDLES (DUAL MOTOR)

(-650300)

HP4505 -UN-01JAN94



HP4505

8G16

RESIDUE DISPOSAL

CHAFF SPREADER FRAME, SHIELDS AND HANDLES (DUAL MOTOR) - CONTINUED

(-650300)

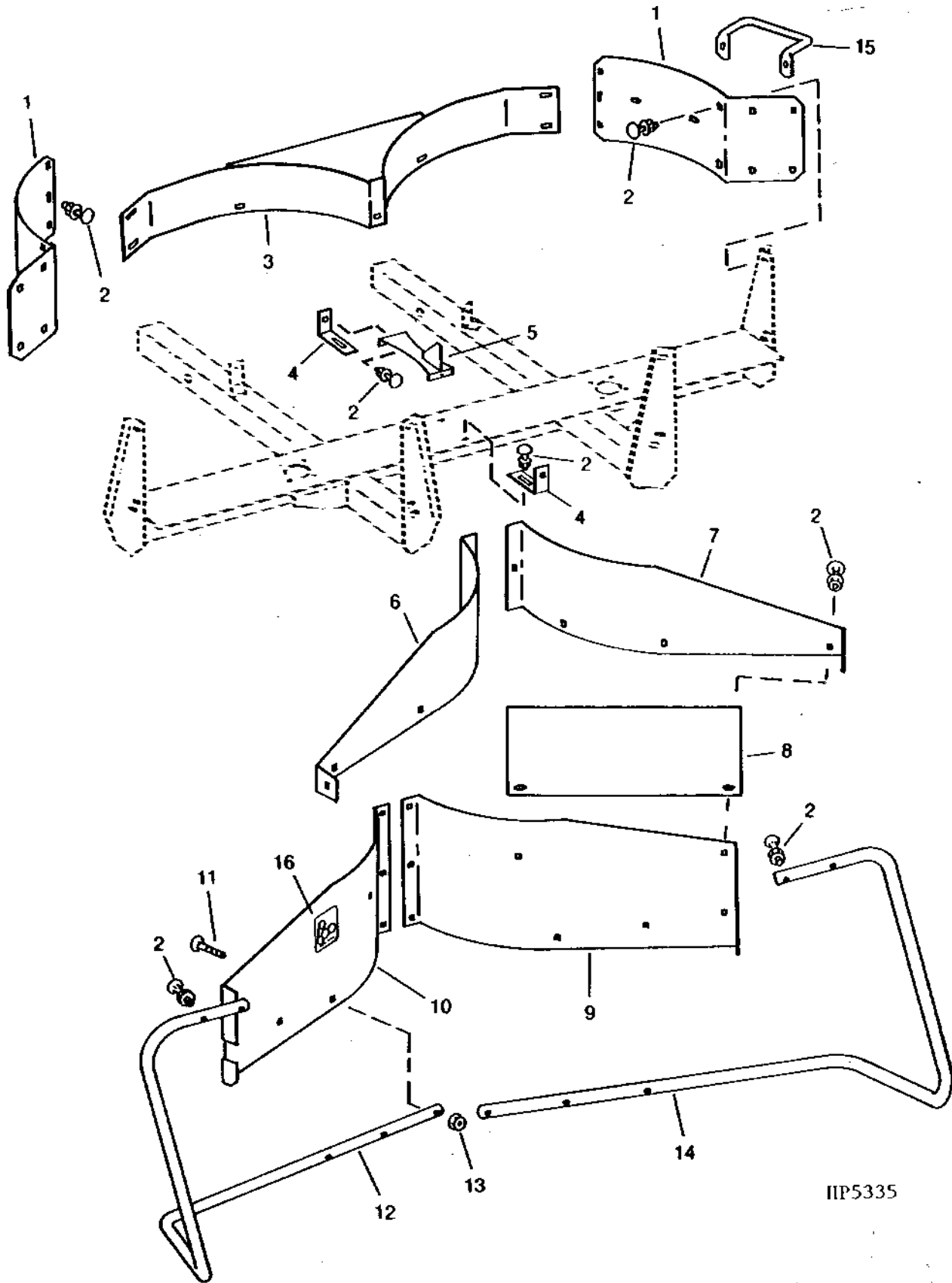
| KEY | PART NO. | PART NAME | QTY | SERIAL NO. | REMARKS |
|-----|----------------|------------------------------------|-----|---------------|--|
| 1 | H136280 | SHIELD | 2 | | |
| 2 | 03M7184 | BOLT | 21 | | M8 X 20 |
| | 14M7298 | FLANGE NUT | 21 | | M8 |
| 3 | AH132852 | PARTITION | 1 | -637654 | |
| | AH135498 | PARTITION | 1 | 637655- | |
| 4 | H139938 | SHIELD | 1 | -637654 | |
| | H141107 | SHIELD | 1 | 637655- | |
| 5 | H139937 | SHIELD | 1 | -637654 | |
| | H141106 | SHIELD | 1 | 637655- | |
| 6 | AH134558 | SUPPORT | 1 | | |
| 7 | 03M7223 | BOLT | 4 | | M8 X 60 |
| 8 | H139988 | LABEL | 1 | | CHAFF SPREADER DRIVE |
| 9 | AH134580 | SHIELD | 1 | | |
| 10 | AH134579 | SHIELD | 1 | | |
| 11 | H139007 | TUBE | 1 | -637654 | |
| | H143743 | TUBE | 1 | 637655- | |
| 12 | 28H1633 | BUSHING | 4 | | 9.246 X 13.716 X 39.675 MM (0.364" X 0.540" X 1-9/16") |
| 13 | 19M7866 | SCREW | 4 | | M8 X 20 |
| | 14M7298 | FLANGE NUT | 4 | | M8 |
| 14 | 14M7298 | FLANGE NUT | 4 | | M8 |
| 15 | H139008 | TUBE | 1 | -637654 | |
| | H143744 | TUBE | 1 | 637655- | |
| 16 | H141108 | SHIELD | 1 | 637655- | |
| 17 | 03M7183 | BOLT | 3 | | M8 X 16 |
| 18 | 14M7298 | FLANGE NUT | 3 | | M8 |
| 19 | H143762 | SHIELD | 1 | 637655-650235 | |
| .. | BH80261 | COMPLETE GOODS/SHIP. BUNDLE | 1 | | CHAFF SPREADER LESS 4-WHEEL DRIVE |
| .. | BH80262 | COMPLETE GOODS/SHIP. BUNDLE | 1 | | CHAFF SPREADER FOR 4-WHEEL DRIVE |

8G17

RESIDUE DISPOSAL

CHAFF SPREADER (DUAL MOTOR) SHIELDS AND HANDLES

(650301-)
HP5335 -UN-01JAN94



HP5335

8G18

RESIDUE DISPOSAL

CHAFF SPREADER (DUAL MOTOR) SHIELDS AND HANDLES - CONTINUED
(650301-)

| KEY | PART NO. | PART NAME | QTY | SERIAL NO. | REMARKS |
|-----|----------------|------------------------------------|----------|------------|--|
| 1 | H146011 | SHIELD | 2 | | |
| 2 | 03M7184 | BOLT | 21 | M8 X 20 | |
| | 14M7298 | FLANGE NUT | 21 | M8 | |
| 3 | AH137753 | SHIELD | 1 | | |
| 4 | H143948 | BRACKET | 2 | | |
| 5 | AH141652 | DUST SHIELD | 1 | | |
| 6 | H145096 | SHIELD | 1 | L.H. | |
| 7 | H145095 | SHIELD | 1 | R.H. | |
| 8 | H148107 | DUST SHIELD | 1 | | |
| 9 | H143950 | SHIELD | 1 | R.H. | |
| 10 | H143949 | SHIELD | 1 | L.H. | |
| 11 | 03M7223 | BOLT | 6 | M8 X 60 | |
| 12 | H143952 | TUBE | 1 | L.H. | |
| 13 | 14M7298 | FLANGE NUT | 6 | M8 | |
| 14 | H143951 | TUBE | 1 | R.H. | |
| 15 | M112639 | STOP | 2 | | |
| 16 | H139988 | LABEL | 1 | | CHAFF SPREADER DRIVE |
| .. | BH80261 | COMPLETE GOODS/SHIP. BUNDLE | 1 | | CHAFF SPREADER LESS 4-WHEEL DRIVE |
| .. | BH80262 | COMPLETE GOODS/SHIP. BUNDLE | 1 | | CHAFF SPREADER FOR 4-WHEEL DRIVE |

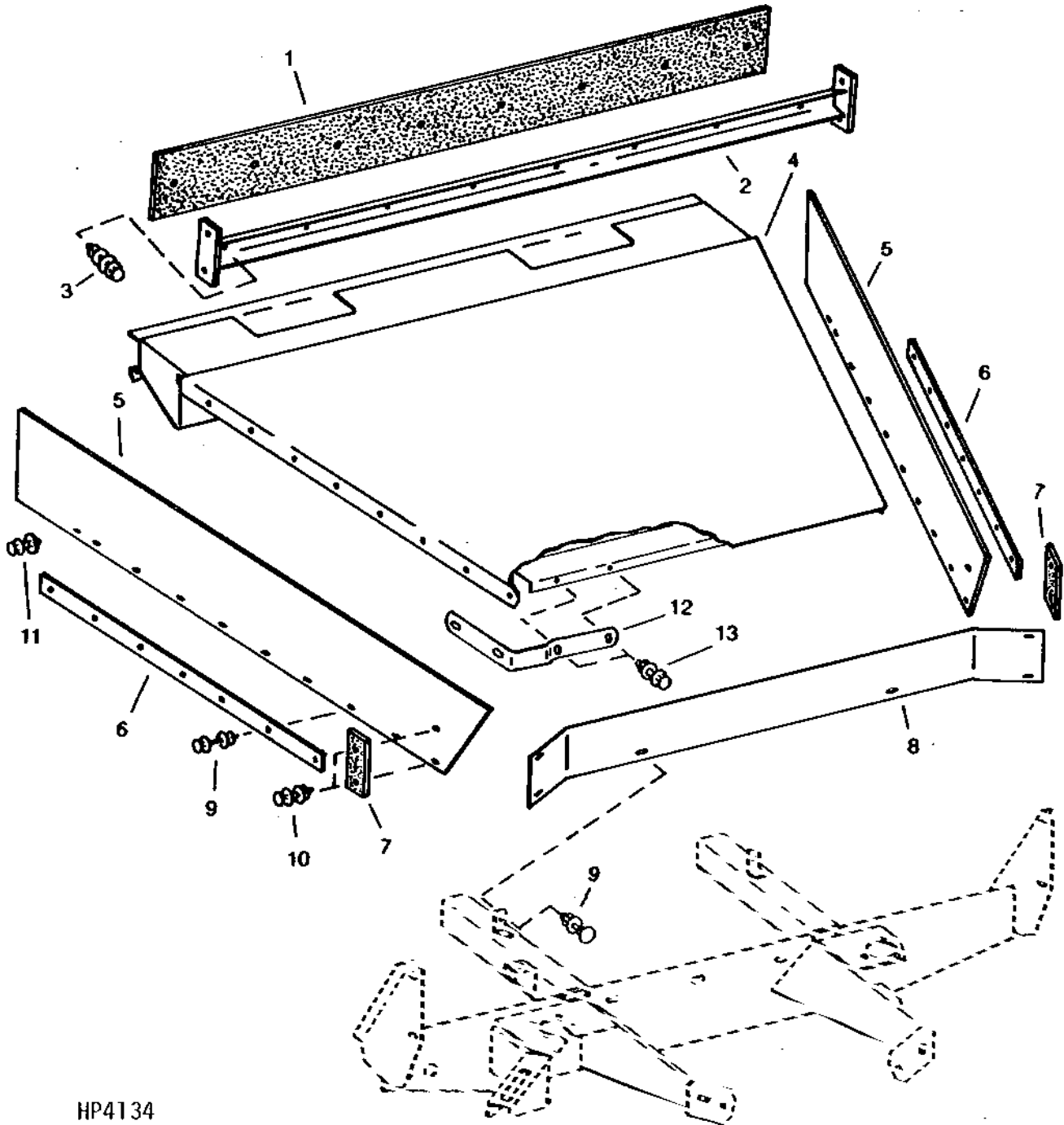
8G19

RESIDUE DISPOSAL

CHAFF SPREADER PAN AND SEALS

(-650300)

HP4134 -UN-01JAN94



HP4134

8G20

RESIDUE DISPOSAL

CHAFF SPREADER PAN AND SEALS - CONTINUED
(-650300)

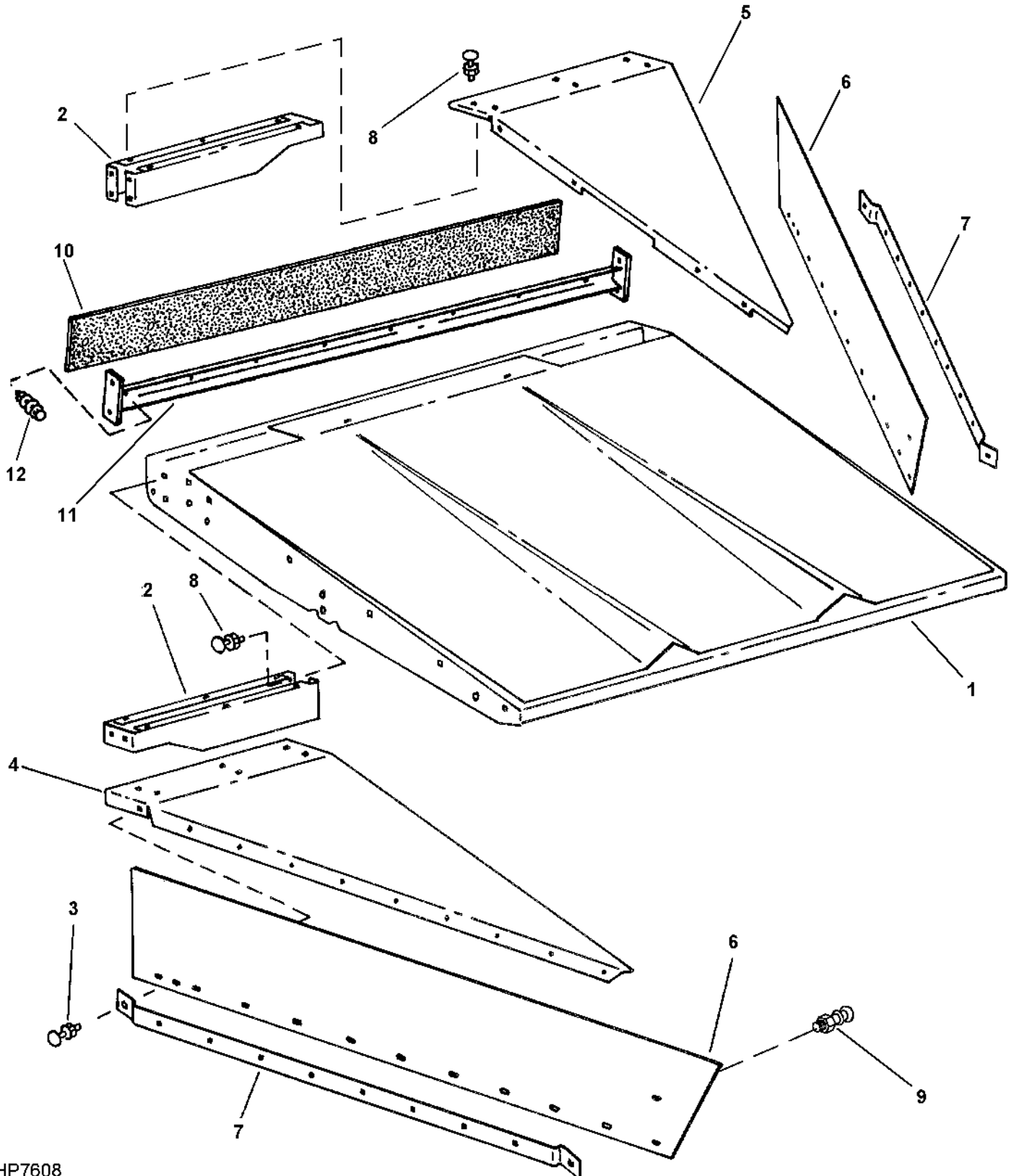
| KEY | PART NO. | PART NAME | QTY | SERIAL NO. | REMARKS |
|-----|----------------|------------------------------------|----------|------------|--|
| 1 | H135843 | FLAP | 1 | | |
| 2 | AH132360 | CROSSBAR | 1 | | |
| 3 | 19M7863 | SCREW | 9 | | M6 X 25 |
| | 24M7207 | WASHER | 9 | | 8.400 X 24 X 2 MM |
| | 14M7303 | FLANGE NUT | 9 | | M6 |
| 4 | AH132358 | FRAME | 1 | -645904 | (SUB AH141041) |
| | AH141041 | FRAME | 1 | | |
| 5 | H136300 | SEAL | 2 | | |
| 6 | H136299 | REINFORCEMENT | 2 | | |
| 7 | H139006 | STRAP | 2 | | |
| 8 | H136279 | SHIELD | 1 | | |
| 9 | 19M7866 | SCREW | 18 | | M8 X 20 |
| | 14M7298 | FLANGE NUT | 18 | | M8 |
| 10 | 19M7867 | SCREW | 4 | | M8 X 25 |
| | 14M7298 | FLANGE NUT | 4 | | M8 |
| | 24H1294 | WASHER | 4 | | 11/32" X 1-1/8" X 1/16" |
| | 24H1790 | WASHER | 4 | | 17/32" X 1-1/2" X 0.164" |
| 11 | 19M7867 | SCREW | 4 | | M8 X 25 |
| | 24H1294 | WASHER | 4 | | 11/32" X 1-1/8" X 1/16" |
| 12 | H143714 | STRAP | 2 | 635798- | |
| 13 | 19M7866 | SCREW | 4 | 638579- | M8 X 20 |
| | 14M7298 | FLANGE NUT | 4 | 637684- | M8 |
| .. | BH80261 | COMPLETE GOODS/SHIP. BUNDLE | 1 | | CHAFF SPREADER LESS 4-WHEEL DRIVE |
| .. | BH80262 | COMPLETE GOODS/SHIP. BUNDLE | 1 | | CHAFF SPREADER FOR 4-WHEEL DRIVE |

8G21

RESIDUE DISPOSAL

CHAFF SPREADER PAN, WINGS AND SEALS

(650301-)
HP7608 -UN-31AUG98



HP7608

8G22

RESIDUE DISPOSAL

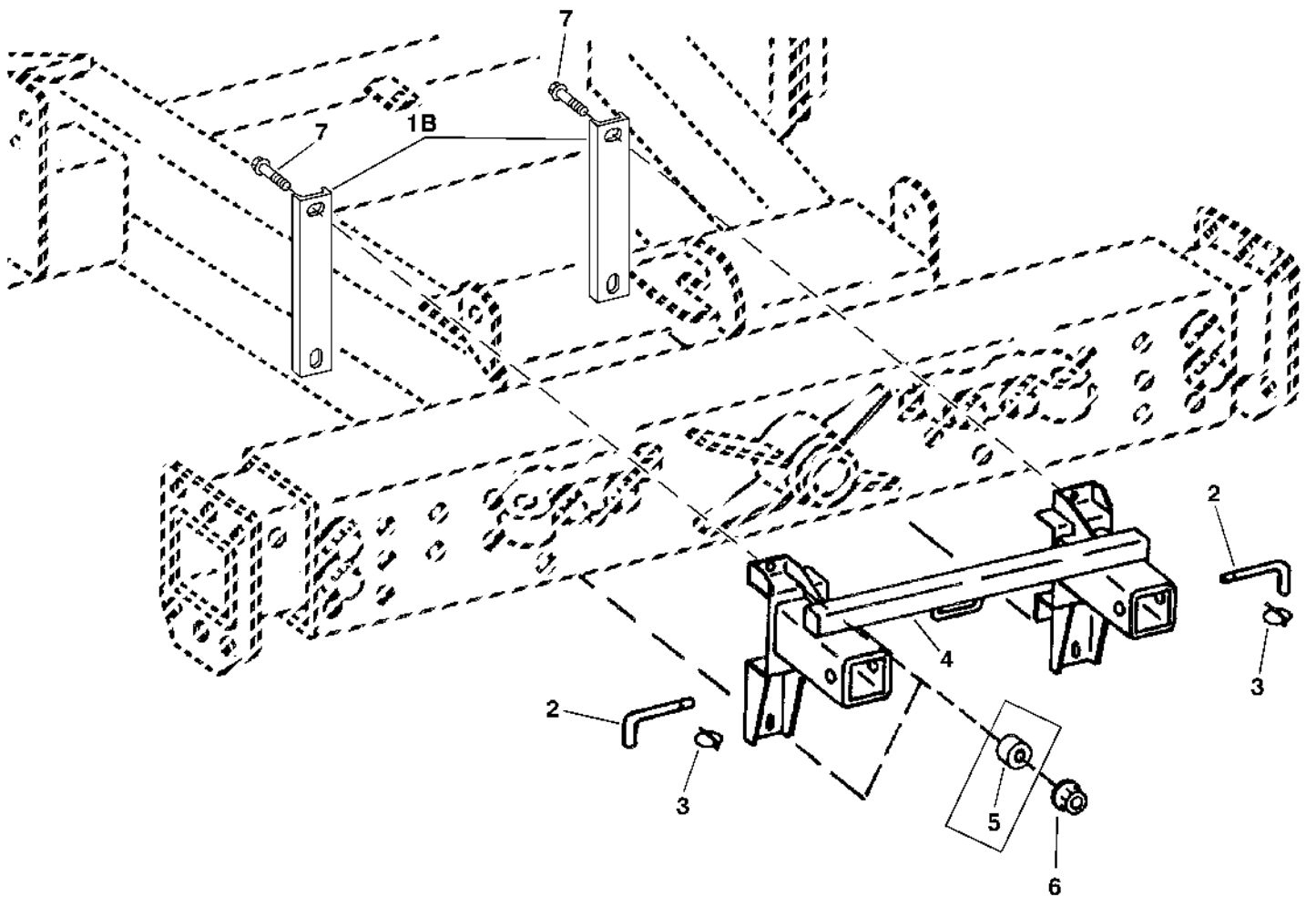
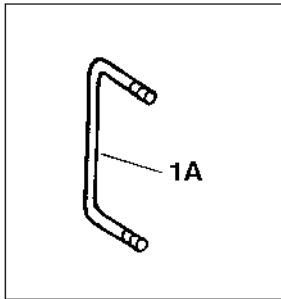
CHAFF SPREADER PAN, WINGS AND SEALS - CONTINUED
(650301-)

| KEY | PART NO. | PART NAME | QTY | SERIAL NO. | REMARKS |
|-----|----------------|------------------------------------|----------|------------|---|
| 1 | AH137975 | FRAME | 1 | | |
| 2 | H144162 | SUPPORT | 2 | | |
| 3 | 03M7184 | BOLT | 20 | 29SEP8- | M8 X 20 |
| | 14M7396 | LOCK NUT | 20 | 29SEP8- | M8 |
| 4 | H144159 | SHEET | 1 | | |
| 5 | H144160 | SHEET | 1 | | |
| 6 | H148025 | DEFLECTOR | 2 | | |
| 7 | H144164 | STRAP | 2 | | |
| 8 | 03M7184 | BOLT | 28 | 29SEP8- | M8 X 20 |
| | 14M7298 | FLANGE NUT | 28 | 29SEP8- | M8 |
| 9 | 03M7184 | BOLT | 2 | 29SEP8- | M8 X 20 |
| | 24M7207 | WASHER | 2 | 29SEP8- | 8.400 X 24 X 2 MM |
| | 14M7396 | LOCK NUT | 2 | 29SEP8- | M8 |
| 10 | H135843 | FLAP | 1 | 29SEP8- | |
| 11 | AH132360 | CROSSBAR | 1 | 29SEP8- | |
| 12 | 19M7863 | SCREW | 9 | 29SEP8- | M6 X 25 |
| | 24M7207 | WASHER | 9 | 29SEP8- | 8.400 X 24 X 2 MM |
| | 14M7303 | FLANGE NUT | 9 | 29SEP8- | M6 |
| .. | BH80261 | COMPLETE GOODS/SHIP. BUNDLE | 1 | | CHAFF SPREADER LESS 4-WHEEL DRIVE |
| .. | BH80262 | COMPLETE GOODS/SHIP. BUNDLE | 1 | | CHAFF SPREADER FOR 4-WHEEL DRIVE |
| .. | BH79815 | COMPLETE GOODS/SHIP. BUNDLE | 1 | | CHAFF PAN WING AND EXTERNAL BUNDLE |

8G23

RESIDUE DISPOSAL

CHAFF SPREADER MOUNTING SUPPORT
HP7199 -UN-23OCT97



HP7199

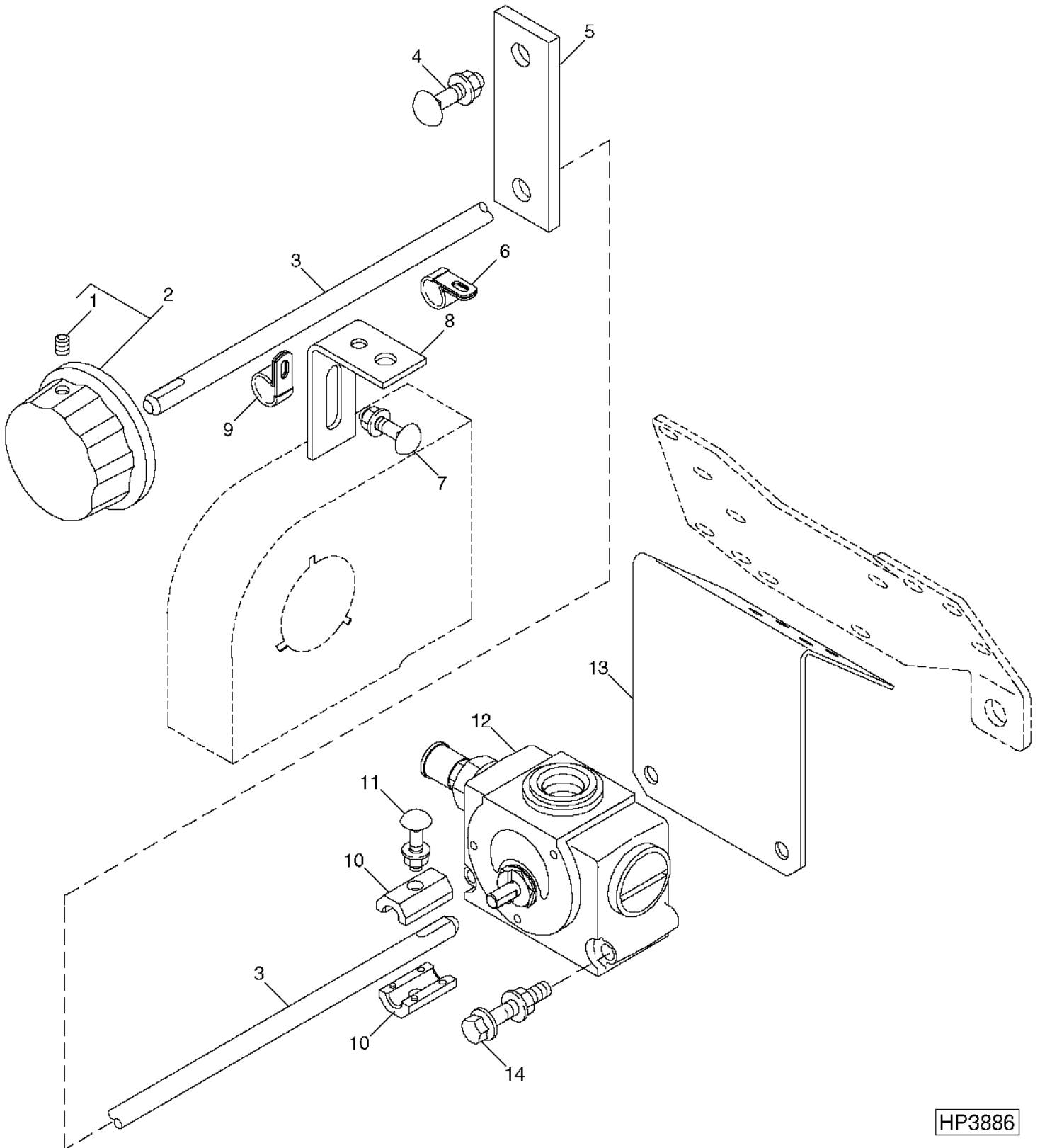
CHAFF SPREADER MOUNTING SUPPORT - CONTINUED

| KEY | PART NO. | PART NAME | QTY | SERIAL NO. | REMARKS |
|-----|----------------|------------------------------------|-----|------------|--|
| 1A | H136263 | U-BOLT | 2 | -646970 | (SUB H148202 AND (2) N61709) |
| | H148202 | U-BOLT | 2 | | (SUB H164605) |
| 1B | H164605 | CHANNEL | 2 | | |
| 2 | H139005 | PIN | 2 | | |
| 3 | M72598 | QUICK LOCK PIN | 2 | | |
| 4 | AH132759 | SUPPORT | 1 | -646970 | |
| | AH137751 | SUPPORT | 1 | 646971- | |
| 5 | N61709 | BUSHING | 4 | 646971- | 13.487 X 25.400 X 18.110 MM |
| 6 | 14M7299 | FLANGE NUT | 4 | | M12 |
| 7 | 19M7822 | SCREW | 4 | | |
| .. | BH80261 | COMPLETE GOODS/SHIP. BUNDLE | 1 | | CHAFF SPREADER LESS 4-WHEEL DRIVE |
| .. | BH80262 | COMPLETE GOODS/SHIP. BUNDLE | 1 | | CHAFF SPREADER FOR 4-WHEEL DRIVE |

8H1

RESIDUE DISPOSAL

CHAFF SPREADER CONTROL, CHECK VALVE, ROD AND KNOB
HP3886 -UN-24AUG99



HP3886

8H2

RESIDUE DISPOSAL

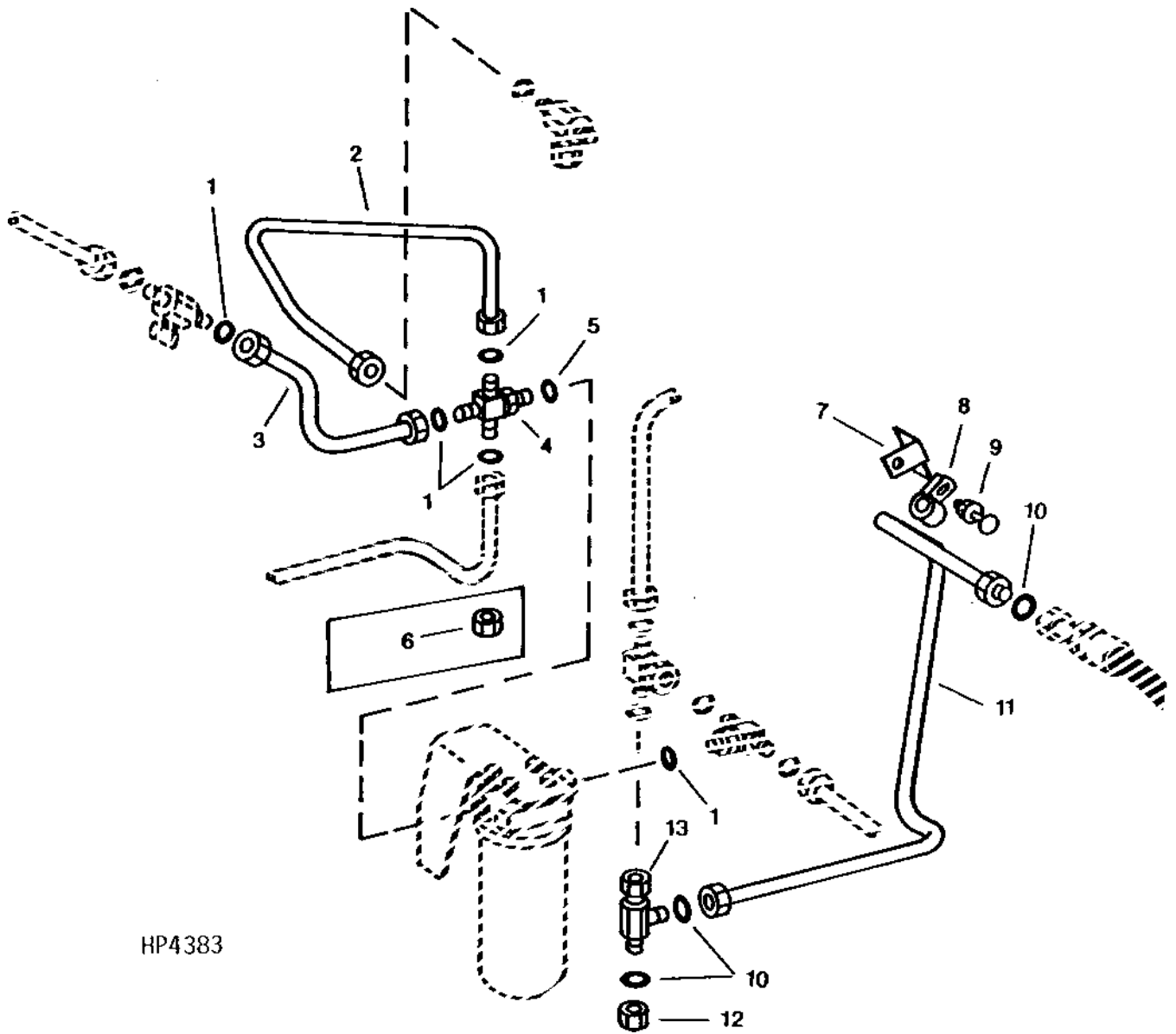
CHAFF SPREADER CONTROL, CHECK VALVE, ROD AND KNOB - CONTINUED

| KEY | PART NO. | PART NAME | QTY | SERIAL NO. | REMARKS |
|-----|--------------------|------------------------------------|----------|---------------|---|
| 1 | | SET SCREW | 2 | | (ORDER AH132988) |
| 2 | AH132988 | KNOB | 1 | | |
| 3 | H137867 | ROD | 1 | | (SUB (2) H114020, (2) H144896, 03M7290 AND 14M7303) |
| 4 | H144896 37M7183 | PIN SCREW | 1 1 | | 9.525 X 1 100 MM (3/8" X 43.307") |
| | 14M7298 | FLANGE NUT | 1 | | M8 |
| 5 | H139006 | STRAP | 1 | | |
| 6 | AH11015 | CLIP | 1 | | |
| 7 | 03M7184 | BOLT | 1 | | M8 X 20 |
| | 14M7298 | FLANGE NUT | 1 | | M8 |
| 8 | H137866 | BRACKET | 1 | | |
| 9 | AH76882 | CLIP | 1 | -6OCT97 | |
| 10 | H114020 | HALF CLAMP | 2 | | |
| 11 | 19M7775 | SCREW | 1 | | M6 X 16 |
| | 14M7303 | FLANGE NUT | 1 | | M6 |
| 12 | AH130180 | CHECK VALVE | 1 | -635484 | (SUB AH136202) |
| | AH136202 | CHECK VALVE | 1 | 635485-641944 | (SUB AH140902) |
| | AH140902 | CHECK VALVE | 1 | | |
| 13 | H137865 | BRACKET | 1 | | |
| 14 | 19M7979 | SCREW | 2 | | M8 X 55 |
| | 14M7298 | FLANGE NUT | 2 | | M8 |
| .. | BH80261 | COMPLETE GOODS/SHIP. BUNDLE | 1 | | CHAFF SPREADER LESS 4-WHEEL DRIVE |
| .. | BH80262 | COMPLETE GOODS/SHIP. BUNDLE | 1 | | CHAFF SPREADER FOR 4-WHEEL DRIVE |

8H3

CHAFF SPREADER LINES AND FITTINGS

HP4383 -UN-01JAN94



HP4383

8H4

RESIDUE DISPOSAL

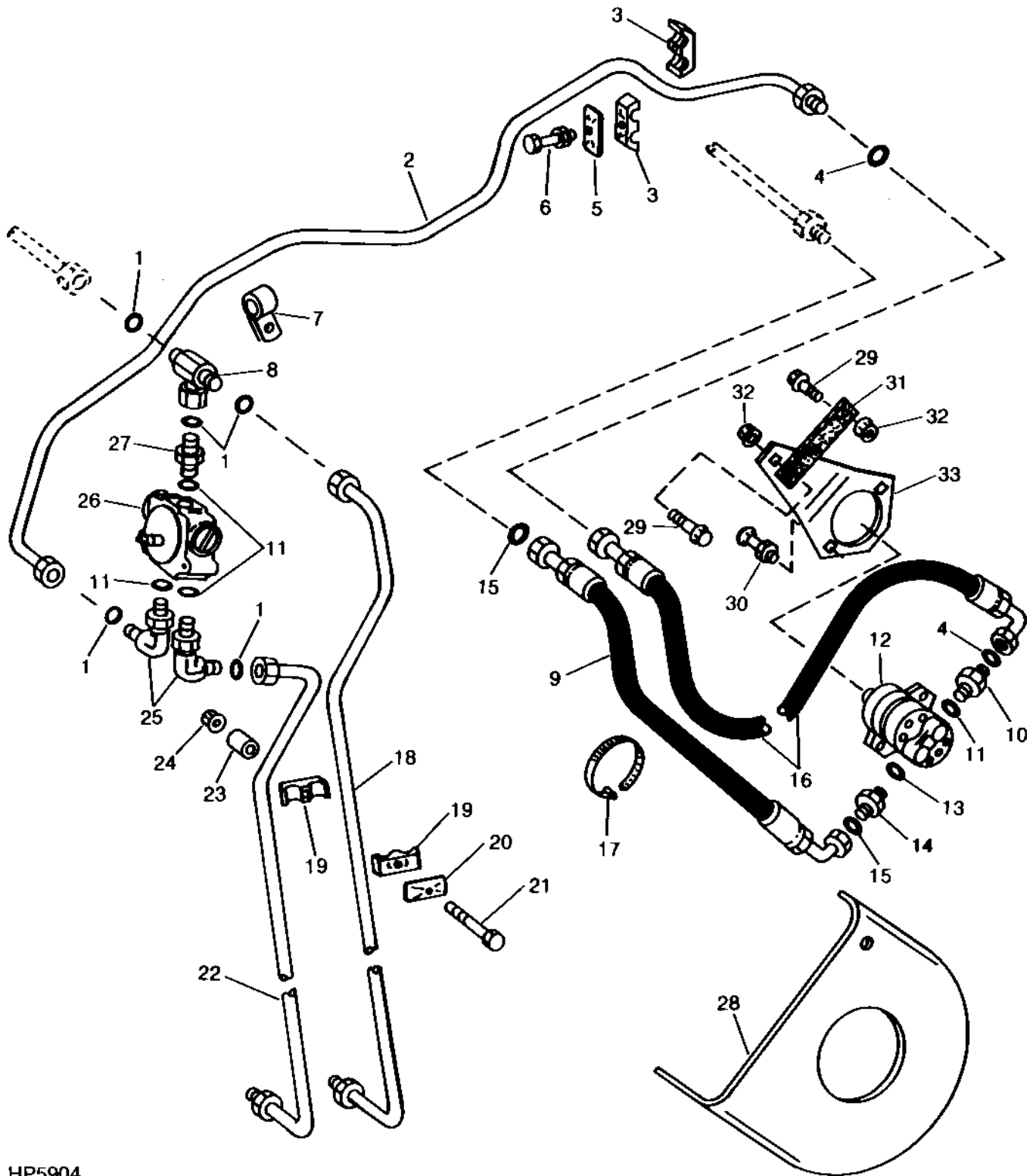
CHAFF SPREADER LINES AND FITTINGS - CONTINUED

| KEY | PART NO. | PART NAME | QTY | SERIAL NO. | REMARKS |
|-----|----------------|------------------------------------|----------|------------|--|
| 1 | T77858 | O-RING | 5 | | 18.771 X 1.778 MM (0.739" X 0.070") |
| 2 | AH133759 | OIL LINE | 1 | | |
| 3 | AH126169 | OIL LINE | 1 | | |
| 4 | AH132031 | FITTING | 1 | | |
| 5 | R29936 | O-RING | 1 | | 29.743 X 2.946 MM (1.171" X 0.116") |
| 6 | 38H1418 | FITTING PLUG | 1 | | |
| 7 | H139964 | BRACKET | 1 | | |
| 8 | AH83545 | CLIP | 1 | -637314 | (SUB R72659) |
| | R72659 | CLAMP | 1 | | |
| 9 | 03M7183 | BOLT | 1 | | M8 X 16 |
| | 14M7298 | FLANGE NUT | 1 | | M8 |
| 10 | T76938 | O-RING | 3 | | 23.520 X 1.778 MM (0.926" X 0.070") |
| 11 | AH133770 | LINE | 1 | | |
| 12 | 38H1419 | FITTING PLUG | 1 | | |
| 13 | 38H1467 | TEE FITTING | 1 | | |
| .. | BH80261 | COMPLETE GOODS/SHIP. BUNDLE | 1 | | CHAFF SPREADER LESS 4-WHEEL DRIVE |
| .. | BH80262 | COMPLETE GOODS/SHIP. BUNDLE | 1 | | CHAFF SPREADER WITH 4-WHEEL DRIVE |

8H5

RESIDUE DISPOSAL

CHAFF SPREADER LINES, HOSES, VALVE AND PUMP
HP5904 -UN-17DEC94



HP5904

8H6

RESIDUE DISPOSAL

CHAFF SPREADER LINES, HOSES, VALVE AND PUMP - CONTINUED

| KEY | PART NO. | PART NAME | QTY | SERIAL NO. | REMARKS |
|-----|----------------|------------------------------------|----------|---------------|--|
| 1 | T77932 | O-RING | 5 | | 15.596 X 1.778 MM (0.614" X 0.070") |
| 2 | AH133758 | OIL LINE | 1 | | |
| 3 | H120362 | CLAMP | 2 | | |
| 4 | T77857 | O-RING | 2 | | 12.421 X 1.778 MM (0.489" X 0.070") |
| 5 | H112567 | PLATE | 1 | | |
| 6 | 19M7801 | SCREW | 1 | | M8 X 60 |
| | 14M7298 | FLANGE NUT | 1 | | M8 |
| 7 | T27523 | CLAMP | 1 | | |
| 8 | 38H1040 | TEE FITTING | 1 | | |
| 9 | AH132200 | HYDRAULIC HOSE | 1 | | 1-3/16" X 975 MM (38-1/2") X 1-3/16", (SUCTION) |
| 10 | 38H1174 | ADAPTER | 1 | | |
| 11 | R26906 | O-RING | 4 | | 19.177 X 2.464 MM (0.755" X 0.097") |
| 12 | AH134555 | PUMP | 1 | | |
| 13 | R29936 | O-RING | 1 | | 29.743 X 2.946 MM (1.171" X 0.116") |
| 14 | 38H1194 | ADAPTER | 1 | | |
| 15 | T77858 | O-RING | 1 | | 18.771 X 1.778 MM (0.739" X 0.070") |
| 16 | AH132201 | HYDRAULIC HOSE | 1 | | 13/16" X 980 MM (38-1/2") X 13/16", (PRESSURE) |
| 17 | H77698 | TIE BAND | 1 | | |
| 18 | AH133949 | OIL LINE | 1 | | |
| 19 | H120847 | CLAMP | 2 | | |
| 20 | H121168 | PLATE | 1 | | |
| 21 | 19M7873 | SCREW | 1 | | M8 X 110 |
| 22 | AH133948 | OIL LINE | 1 | | |
| 23 | L3483N | BUSHING | 1 | | 10.312 X 15.875 X 53.975 MM (13/32" X 5/8" X 2-1/8") USED W/O 4-WHEEL DRIVE |
| 24 | 14M7298 | FLANGE NUT | 1 | | M8 |
| 25 | 38H1006 | ELBOW FITTING | 2 | | |
| 26 | AH130180 | CHECK VALVE | 1 | -636991 | (SUB AH136202) SEE REEL DRIVE FLOW CONTROL VALVE FOR PARTS |
| | AH136202 | CHECK VALVE | 1 | 636992-642048 | (SUB AH140902) |
| | AH140902 | CHECK VALVE | 1 | | |
| 27 | 38H1162 | ADAPTER | 1 | | |
| 28 | H137603 | SHIELD | 1 | | |
| 29 | 19M7867 | SCREW | 2 | | M8 X 25 |
| 30 | 03M7186 | BOLT | 1 | | M8 X 30 |
| | 14M7298 | FLANGE NUT | 2 | | M8 |
| 31 | H78340 | STRAP | 1 | | |
| 32 | 14M7298 | FLANGE NUT | 2 | | M8 |
| 33 | H137602 | ARM | 1 | | |
| .. | BH80261 | COMPLETE GOODS/SHIP. BUNDLE | 1 | | CHAFF SPREADER LESS 4-WHEEL DRIVE |
| .. | BH80262 | COMPLETE GOODS/SHIP. BUNDLE | 1 | | CHAFF SPREADER FOR 4-WHEEL DRIVE |

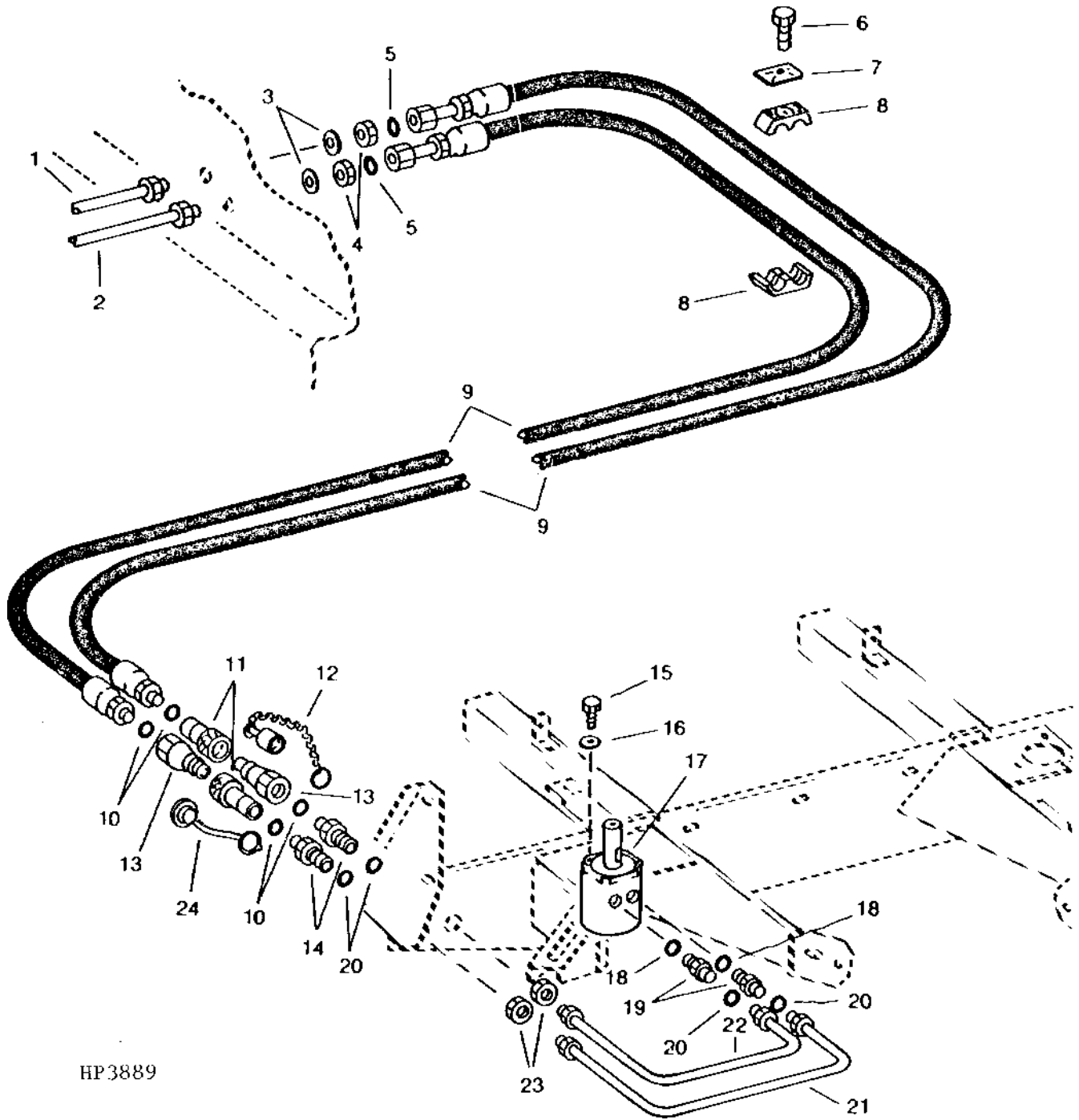
8H7

RESIDUE DISPOSAL

CHAFF SPREADER HOSES, LINES AND MOTOR

(-650300)

HP3889 -UN-01JAN94



HP3889

CHAFF SPREADER HOSES, LINES AND MOTOR - CONTINUED

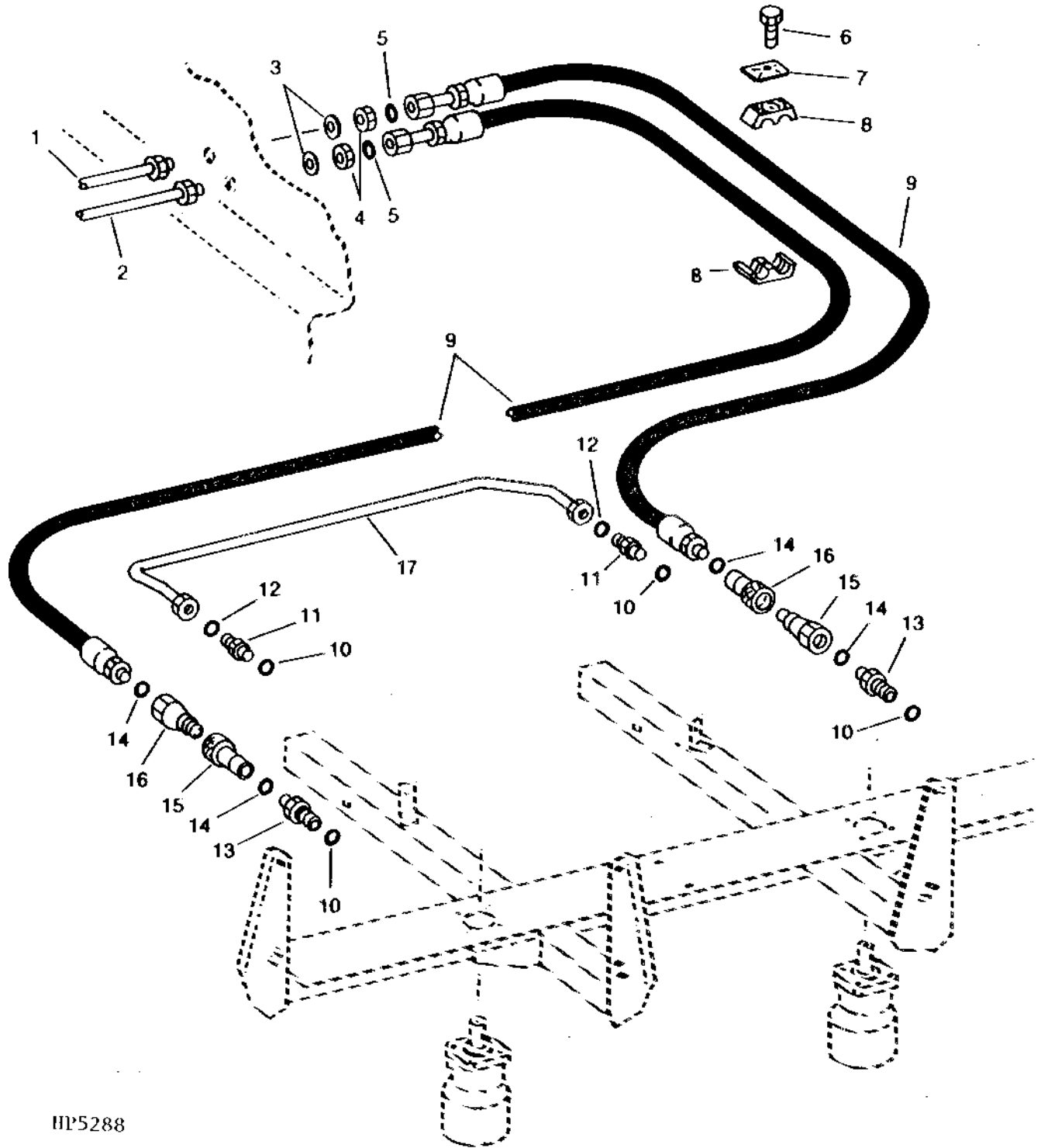
(-650300)

| KEY | PART NO. | PART NAME | QTY | SERIAL NO. | REMARKS |
|-----|----------------|------------------------------------|----------|------------|--|
| 1 | AH133948 | OIL LINE | 1 | | PRESSURE |
| 2 | AH133949 | OIL LINE | 1 | | RETURN |
| 3 | 24M7051 | WASHER | 2 | | 21 X 37 X 3 MM |
| 4 | T78716 | NUT | 2 | | 20.625 MM (13/16") |
| 5 | T77857 | O-RING | 2 | | 12.421 X 1.778 MM (0.489" X 0.070") |
| 6 | 19M8039 | SCREW | 1 | | M8 X 80 |
| 7 | H112567 | PLATE | 1 | | |
| 8 | H122772 | CLAMP | 2 | | |
| 9 | AH133950 | HYDRAULIC HOSE | 2 | | 13/16" X 3 400 MM (133-3/4") X 13/16" |
| 10 | R26375 | O-RING | 4 | | 16.358 X 2.210 MM (0.644" X 0.087") |
| 11 | AH75167 | HYD. QUICK-CONNECT COUPLER | 2 | | (INCLUDES INTERNAL O-RING) |
| 12 | A15898 | CAP | 1 | | |
| 13 | AR94522 | INTERNAL HALF COUPLER | 2 | | |
| 14 | H137729 | FITTING | 2 | | |
| 15 | 19H1936 | CAP SCREW | 4 | | 9.525 X 19.050 MM (3/8" X 3/4") |
| 16 | 12H304 | LOCK WASHER | 4 | | 3/8" |
| 17 | AH133196 | MOTOR | 1 | | |
| 18 | R26906 | O-RING | 2 | | 19.177 X 2.464 MM (0.755" X 0.097") |
| 19 | 38H1162 | ADAPTER | 2 | | |
| 20 | T77932 | O-RING | 4 | | 15.596 X 1.778 MM (0.614" X 0.070") |
| 21 | AH134680 | OIL LINE | 1 | | RETURN |
| 22 | AH134679 | OIL LINE | 1 | | PRESSURE |
| 23 | T80306 | NUT | 2 | | 25.400 MM (1") |
| 24 | H125403 | PLUG | 1 | | |
| .. | BH80261 | COMPLETE GOODS/SHIP. BUNDLE | 1 | | CHAFF SPREADER LESS 4-WHEEL DRIVE |
| .. | BH80262 | COMPLETE GOODS/SHIP. BUNDLE | 1 | | CHAFF SPREADER FOR 4-WHEEL DRIVE |

8H9

CHAFF SPREADER HOSES AND LINES (DUAL MOTOR)

(650301-)
HP5288 -UN-01JAN94



HP5288

8H10

RESIDUE DISPOSAL

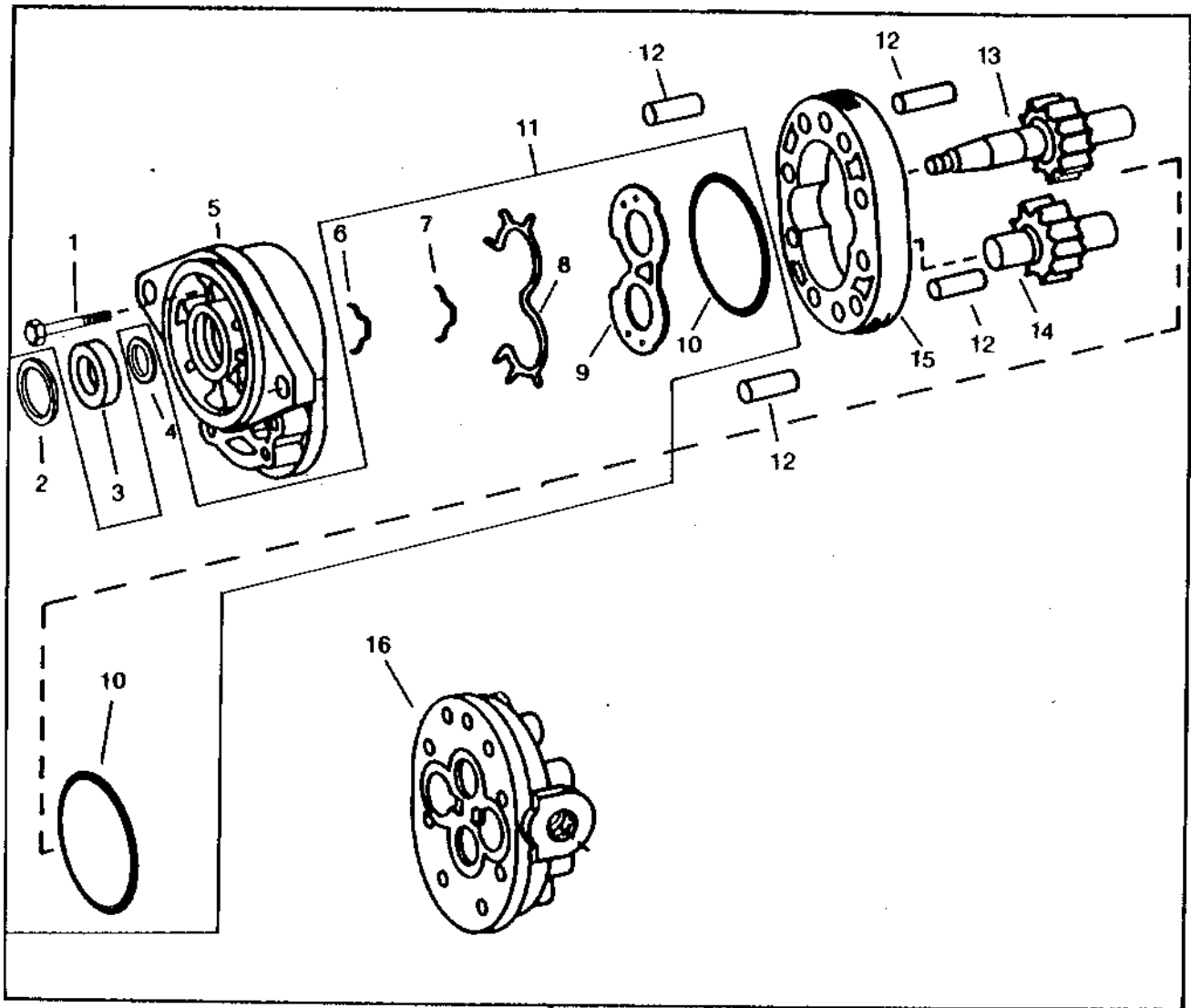
CHAFF SPREADER HOSES AND LINES - CONTINUED
(650301-)

| KEY | PART NO. | PART NAME | QTY | SERIAL NO. | REMARKS |
|-----|----------|----------------------------|-----|------------|---------------------------------------|
| 1 | AH133948 | OIL LINE | 1 | | PRESSURE |
| 2 | AH133949 | OIL LINE | 1 | | RETURN |
| 3 | 24M7051 | WASHER | 2 | | 21 X 37 X 3 MM |
| 4 | T78716 | NUT | 2 | | 20.625 MM (13/16") |
| 5 | T77857 | O-RING | 2 | | 12.421 X 1.778 MM (0.489" X 0.070") |
| 6 | 19M8039 | SCREW | 1 | -670300 | M8 X 80 |
| | 19M7913 | SCREW | 1 | | M8 X 90 |
| 7 | H112567 | PLATE | 1 | | |
| 8 | H122772 | CLAMP | 2 | | |
| 9 | AH138718 | HYDRAULIC HOSE | 2 | | 13/16" X 2 800 MM (110-1/4") X 13/16" |
| 10 | R26906 | O-RING | 8 | | 19.177 X 2.464 MM (0.755" X 0.097") |
| 11 | 38H1162 | ADAPTER | 3 | | |
| 12 | T77932 | O-RING | 9 | | 15.596 X 1.778 MM (0.614" X 0.070") |
| 13 | T62843 | ADAPTER | 2 | | |
| 14 | R26375 | O-RING | 4 | | 16.358 X 2.210 MM (0.644" X 0.087") |
| 15 | AH75167 | HYD. QUICK-CONNECT COUPLER | 2 | | (INCLUDES INTERNAL O-RING) |
| 16 | AR94522 | INTERNAL HALF COUPLER | 2 | | |
| 17 | AH137986 | OIL LINE | 1 | | |

8H11

RESIDUE DISPOSAL

CHAFF SPREADER PUMP
HP5085 -UN-01JAN94



HP5085

17

8H12

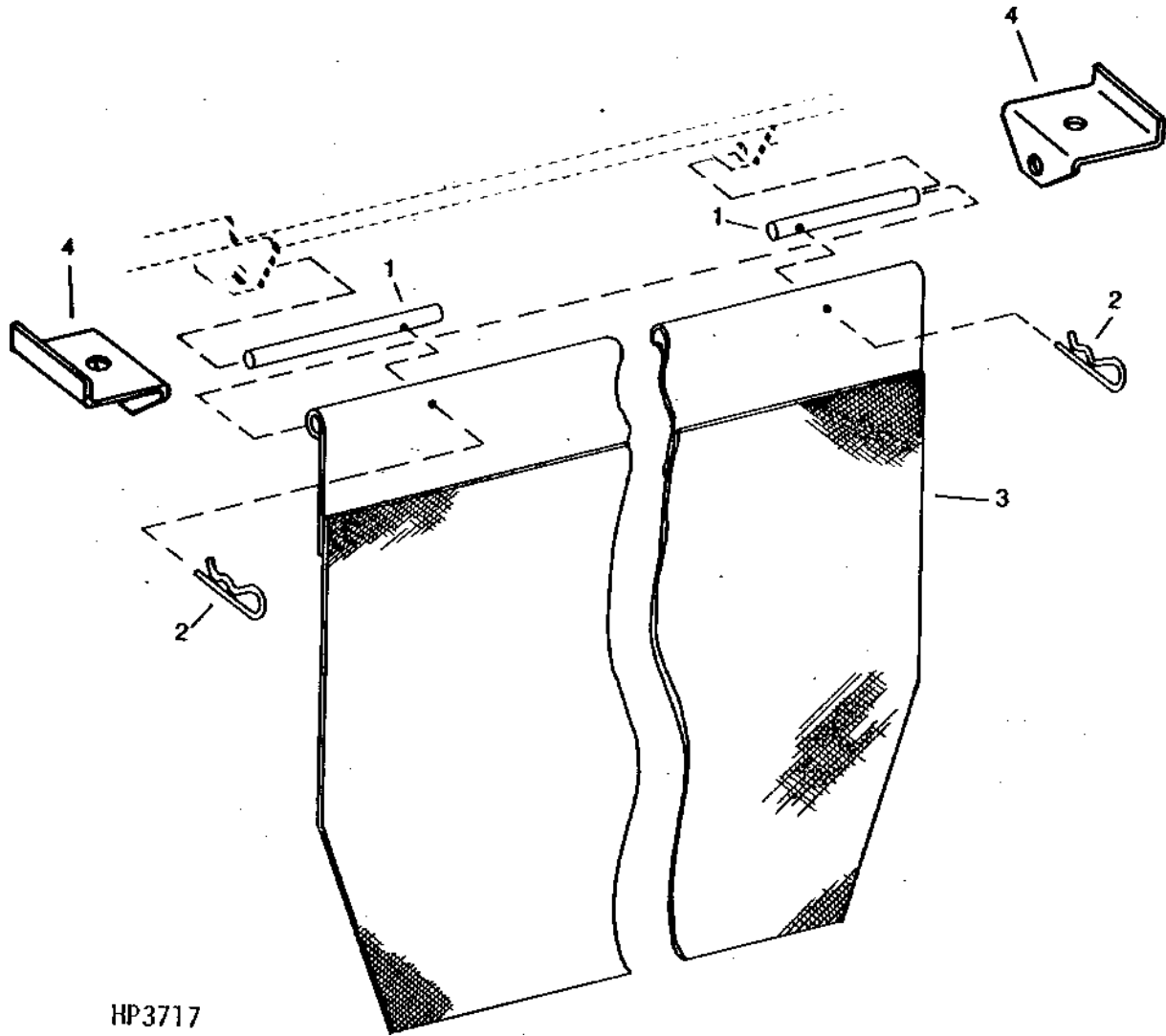
RESIDUE DISPOSAL

CHAFF SPREADER PUMP - CONTINUED

| KEY | PART NO. | PART NAME | QTY | SERIAL NO. | REMARKS |
|-----|----------|------------|-----|------------|--|
| 1 | E61791 | BOLT | 8 | | 7.925 X 69.850 MM (5/16" X 2-3/4") |
| 2 | M41029 | SNAP RING | 1 | | (KIT AH131176) |
| 3 | AH131842 | SEAL | 1 | | |
| 4 | M48869 | WASHER | 1 | | 19.215 X 25.337 X 0.813 MM (0.757" X 0.998" X 0.032") (KIT AH131176) |
| 5 | | PLATE | 1 | | (SUB AH134555) |
| 6 | | SEAL | 1 | | (KIT AH131176) |
| 7 | | GASKET | 1 | | (KIT AH131176) |
| 8 | | GASKET | 1 | | (KIT AH131176) |
| 9 | | WEAR PLATE | 1 | | (KIT AH131176) |
| 10 | H80821 | O-RING | 2 | | 75.921 X 1.778 MM (2.989" X 0.070") (KIT AH131176) |
| 11 | AH131176 | SEAL KIT | 1 | | |
| 12 | H116213 | DOWEL PIN | 4 | | |
| 13 | AH134554 | GEAR | 1 | | |
| 14 | | GEAR | 1 | | (SUB AH134555) |
| 15 | | HOUSING | 1 | | (SUB AH134555) |
| 16 | | PLATE | 1 | | (SUB AH134555) |
| 17 | AH134555 | PUMP | 1 | | (CESSNA NO. R25305-RAL) REMANUFACTURED |

8H13

SPREADER CURTAIN (-642457)
HP3717 -UN-01JAN94



8H14

RESIDUE DISPOSAL

SPREADER CURTAIN (-642457) - CONTINUED

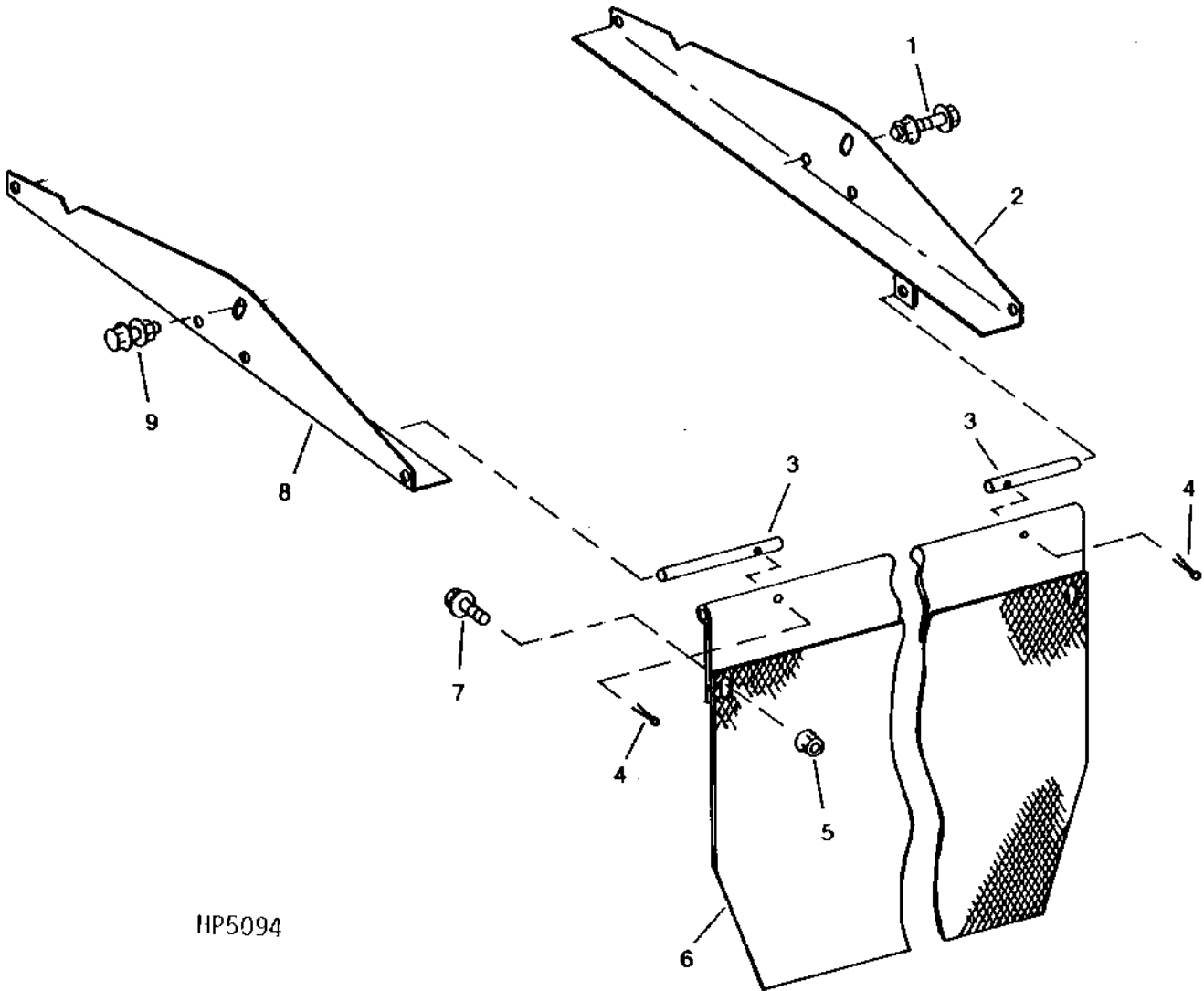
| KEY | PART NO. | PART NAME | QTY | SERIAL NO. | REMARKS |
|-----|----------------|------------------------------------|-----|------------|----------------------------------|
| 1 | H131865 | PIN | 2 | | 12 X 211 MM (0.472" X 8.307") |
| 2 | 11H229 | COTTER PIN | 2 | -640300 | 3/32" X 2", (SUB 11M7086) |
| | 11M7086 | COTTER PIN | 2 | | 2.500 X 50 MM (0.098" X 1.969") |
| 3 | AH135657 | LIMIT CURTAIN | 1 | | |
| 4 | H135209 | BRACKET | 2 | | |
| .. | 19M7865 | SCREW | 2 | | M8 X 16 |
| .. | 14M7298 | FLANGE NUT | 2 | | M8 |
| .. | BH80005 | COMPLETE GOODS/SHIP. BUNDLE | 1 | | STRAW SPREADER WITH DRIVE |

BH80005 (COMPLETE GOODS) STRAW SPREADER W/DRIVE

8H15

RESIDUE DISPOSAL

SPREADER CURTAIN (642458-)
HP5094 -UN-01JAN94



HP5094

8H16

RESIDUE DISPOSAL

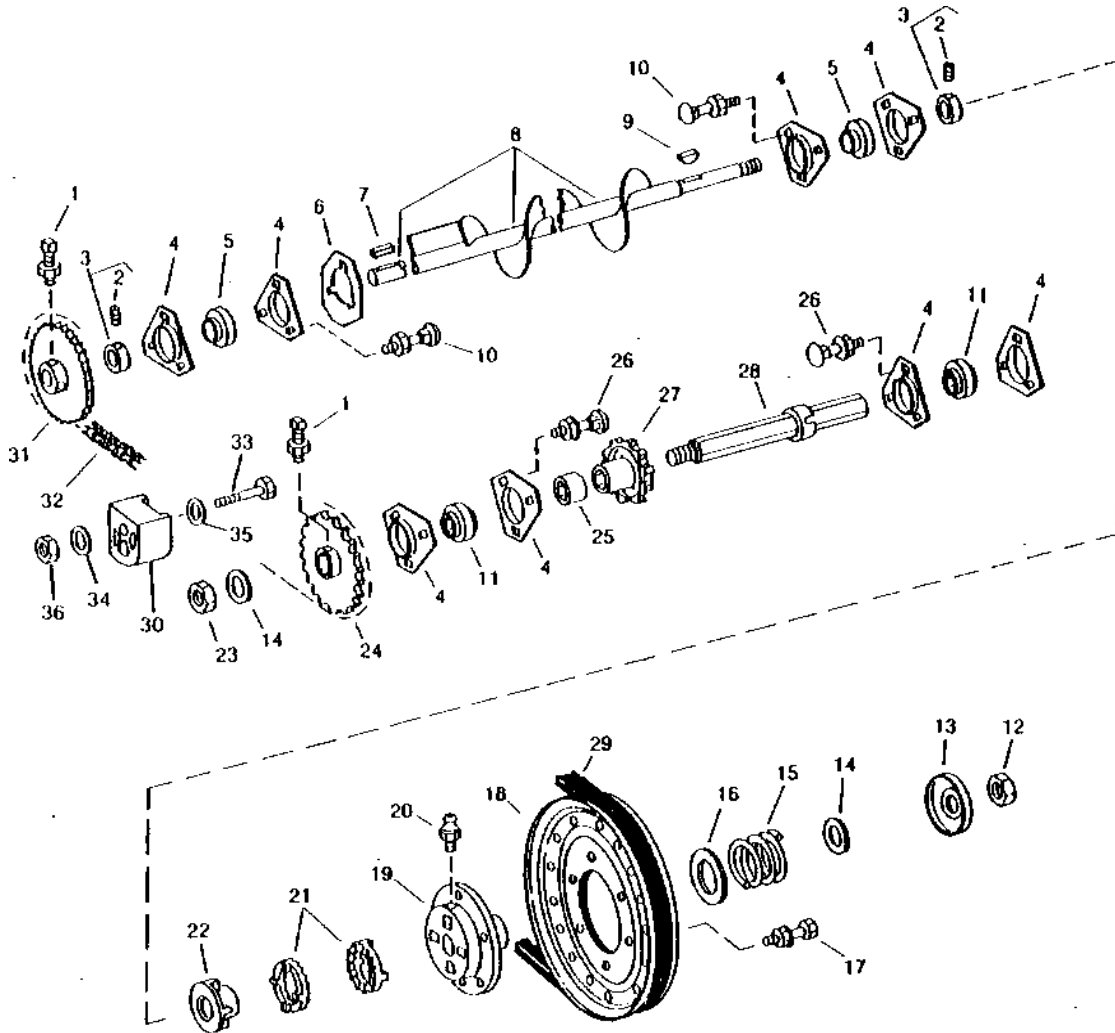
SPREADER CURTAIN (642458-) - CONTINUED

| KEY | PART NO. | PART NAME | QTY | SERIAL NO. | REMARKS |
|-----|----------------|------------------------------------|----------|----------------------------------|---------|
| 1 | 19M7809 | SCREW | 4 | M10 X 70 | |
| | 14M7296 | FLANGE NUT | 4 | M10 | |
| 2 | AH138971 | REINFORCEMENT | 1 | | |
| 3 | H131865 | PIN | 2 | 12 X 211 MM (0.472" X 8.307") | |
| 4 | 11M7086 | COTTER PIN | 2 | 2.500 X 50 MM | |
| 5 | 14M7298 | FLANGE NUT | 2 | M8 | |
| 6 | AH135657 | LIMIT CURTAIN | 1 | | |
| 7 | 19M7865 | SCREW | 2 | M8 X 16 | |
| 8 | AH138972 | REINFORCEMENT | 1 | | |
| 9 | 19M7785 | SCREW | 1 | M10 X 25 | |
| | 14M7296 | FLANGE NUT | 1 | M10 | |
| .. | BH80005 | COMPLETE GOODS/SHIP. BUNDLE | 1 | STRAW SPREADER WITH DRIVE | |

8H17

RESIDUE DISPOSAL

LOWER TAILINGS AUGER, SHAFT AND TIGHTENER
HP5817 -UN-01JAN94



HP5817

8H18

RESIDUE DISPOSAL

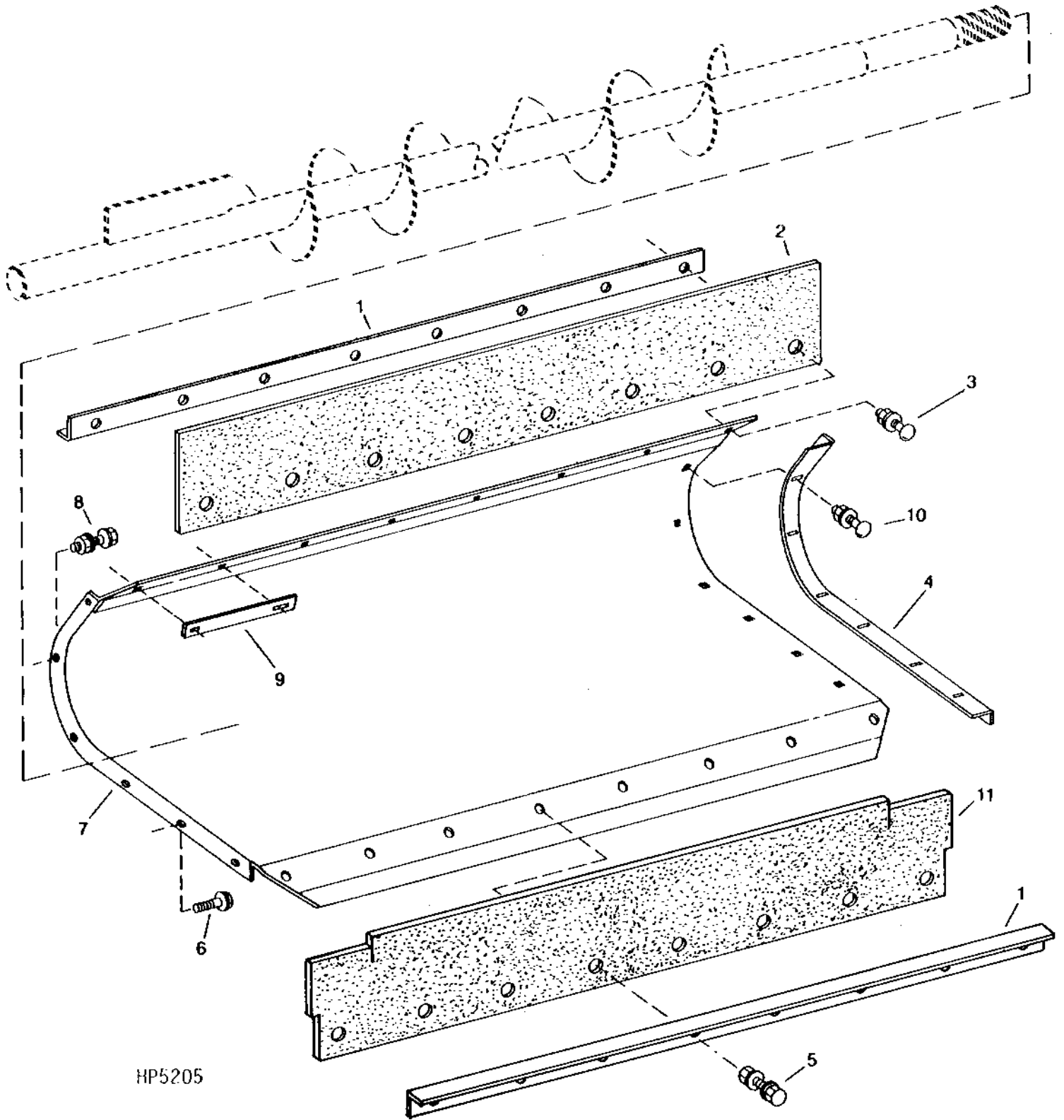
LOWER TAILINGS AUGER, SHAFT AND TIGHTENER - CONTINUED

| KEY | PART NO. | PART NAME | QTY | SERIAL NO. | REMARKS |
|-----|----------|--------------------------|-----|------------|---------------------------------|
| 1 | H138435 | SET SCREW | AR | | |
| | 14M7274 | NUT | AR | M10 | |
| 2 | 22M7080 | SET SCREW | 2 | M8 X 8 | |
| 3 | AZ10045 | ECCENTRIC LOCKING COLLAR | 2 | | |
| 4 | E10018 | PRESSED FLANGED HOUSING | AR | | |
| 5 | JD39103 | BALL BEARING | 2 | | |
| 6 | H132906 | PLATE | 1 | | |
| 7 | 49M4111 | SHAFT KEY | 1 | | |
| 8 | AH126207 | AUGER | 1 | -641020 | (SUB AH140214) LOWER |
| | AH140214 | AUGER | 1 | -662201 | (SUB AH146313) LOWER |
| | AH146313 | AUGER | 1 | | (LOWER) |
| 9 | 26H19 | SHAFT KEY | 1 | -656807 | 1/4" X 7/8", (SUB 26H82) |
| | 26H82 | SHAFT KEY | 1 | | 6.350 X 22.225 MM (1/4" X 7/8") |
| 10 | 03M7191 | BOLT | AR | | M10 X 25 |
| | 14M7296 | FLANGE NUT | AR | | M10 |
| 11 | JD9313 | BALL BEARING | 2 | | |
| 12 | 14M7300 | FLANGE NUT | 1 | | M20 |
| 13 | AH126677 | CAP | 1 | | |
| 14 | 24M7051 | WASHER | 2 | | 21 X 37 X 3 MM |
| 15 | J21022 | SPRING | 1 | | |
| 16 | 24M7176 | WASHER | 1 | | 56 X 72 X 3 MM |
| 17 | 19M7867 | SCREW | AR | | M8 X 25 |
| | 14M7298 | FLANGE NUT | AR | | M8 |
| 18 | AH126388 | SHEAVE | 1 | | 270 MM (10-1/2") DIA. |
| 19 | H97574 | HUB | 1 | | |
| 20 | JD7797 | LUBRICATION FITTING | 1 | | 1/4" STRAIGHT |
| 21 | H128265 | SLIP CLUTCH | 2 | | |
| 22 | H85015 | HUB | 1 | | |
| 23 | 14M7428 | LOCK NUT | 1 | -641944 | M20, (SUB A31870) |
| | A31870 | LOCK NUT | 1 | | (SUB 14M7340) |
| | 14M7340 | LOCK NUT | 1 | | M20, (SUB A31870) |
| | A31870 | LOCK NUT | 1 | | M20 |
| 24 | AH130572 | CHAIN SPROCKET | 1 | | 18-TOOTH |
| 25 | H134605 | SPACER | 1 | | |
| 26 | 03M7190 | BOLT | AR | | M10 X 20 |
| | 14M7296 | FLANGE NUT | AR | | M10 |
| 27 | H134603 | CHAIN SPROCKET | 1 | | 8-TOOTH |
| 28 | AH130570 | SHAFT | 1 | | LOWER CONVEYOR |
| 29 | N110085 | BELT | 1 | | |
| 30 | H136582 | TIGHTENER | 1 | | |
| 31 | AH121047 | CHAIN SPROCKET | 1 | | 18-TOOTH |
| 32 | AH126239 | ROLLER CHAIN | 1 | | ROLLER, TYPE 50 |
| 33 | 03M7245 | BOLT | 1 | | M8 X 55 |
| | 14M7298 | FLANGE NUT | 1 | | M8 |
| 34 | 24M7207 | WASHER | 1 | 656808- | 8.400 X 24 X 2 MM |
| 35 | H75716 | LOCK WASHER | 1 | 656808- | 13.220 MM |
| 36 | 14M7298 | FLANGE NUT | 1 | | M8 |

8H19

RESIDUE DISPOSAL

LOWER TAILINGS AUGER TROUGH
HP5205 -UN-01JAN94



HP5205

8H20

RESIDUE DISPOSAL

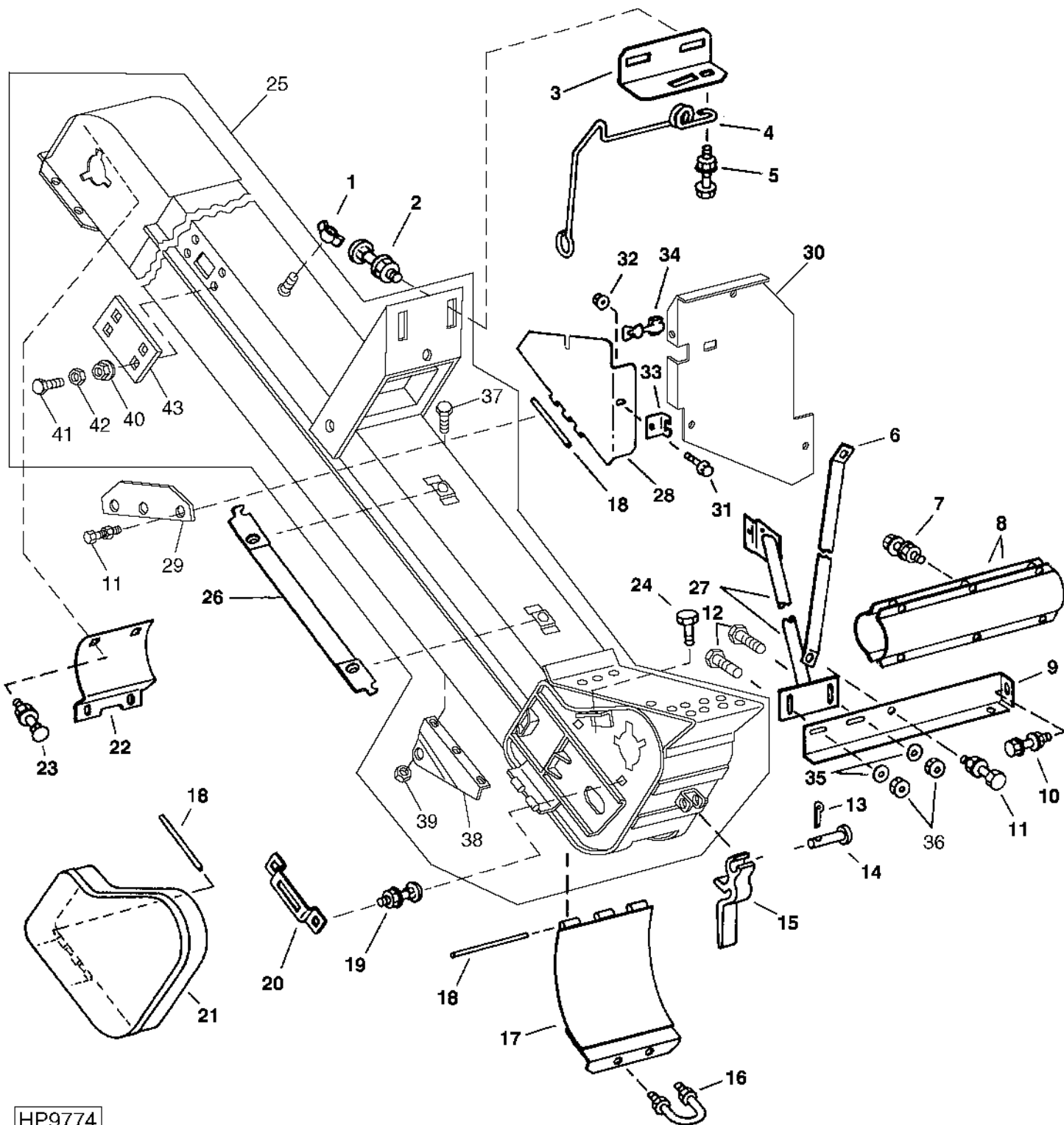
LOWER TAILINGS AUGER TROUGH - CONTINUED

| KEY | PART NO. | PART NAME | QTY | SERIAL NO. | REMARKS |
|-----|----------|-----------------|-----|------------|----------------|
| 1 | H134309 | REINFORCEMENT | 2 | | |
| 2 | H134315 | SEAL | 2 | -645803 | |
| | H134315 | SEAL | 1 | 645804- | |
| 3 | 03M7184 | BOLT | AR | -660425 | M8 X 20 |
| | 19M7865 | SCREW | AR | 660426- | M8 X 16 |
| | 14M7298 | FLANGE NUT | AR | | M8 |
| 4 | H134317 | SUPPORT | 1 | | |
| 5 | 19M7865 | SCREW | AR | | M8 X 16 |
| | 14M7298 | FLANGE NUT | AR | | M8 |
| 6 | 19M7866 | SCREW | 2 | | M8 X 20 |
| 7 | AH131742 | TROUGH | 1 | -637653 | (SUB AH138656) |
| | AH138656 | TROUGH | 1 | | |
| 8 | 19M7866 | SCREW | 4 | | M8 X 20 |
| | 14M7298 | FLANGE NUT | 4 | | M8 |
| 9 | H137585 | STRAP | 1 | | |
| 10 | 03M7183 | BOLT | AR | | M8 X 16 |
| | 14M7298 | FLANGE NUT | AR | | M8 |
| 11 | H147661 | ADJUSTING STRAP | 1 | 645804- | |

8H21

RESIDUE DISPOSAL

TAILINGS ELEVATOR HOUSING
HP9774 -UN-24MAY00



HP9774

8H22

RESIDUE DISPOSAL

TAILINGS ELEVATOR HOUSING - CONTINUED

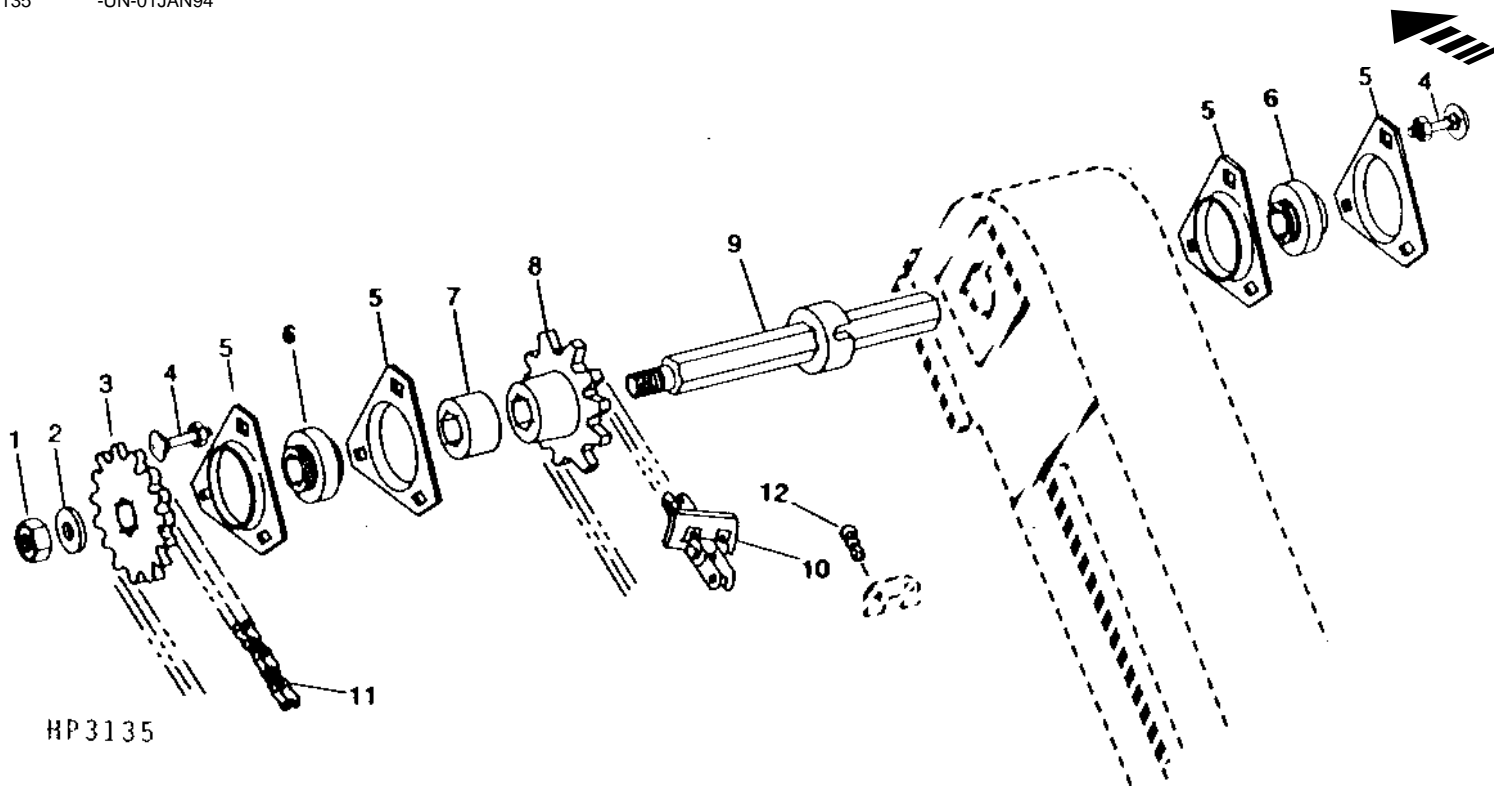
| KEY | PART NO. | PART NAME | QTY | SERIAL NO. | REMARKS |
|-----|----------------|------------------------------------|----------|------------|--|
| 1 | 14M7020 | WING NUT | 1 | | M8 |
| 2 | 19M7784 | SCREW | 2 | | M10 X 20 |
| | 14M7296 | FLANGE NUT | 2 | | M10 |
| 3 | H132708 | BRACKET | 1 | | |
| 4 | H130930 | SPRING | 1 | | |
| 5 | 19M7784 | SCREW | 1 | | M10 X 20 |
| | 14M7296 | FLANGE NUT | 1 | | M10 |
| 6 | H136047 | SUPPORT | 1 | -645300 | |
| | H146536 | SUPPORT | 1 | 645301- | |
| 7 | 19M7868 | SCREW | AR | | M8 X 30 |
| | 14M7298 | FLANGE NUT | AR | | M8 |
| 8 | H136054 | HOUSING | 2 | | SOLID |
| | H136055 | HOUSING | 2 | | PERFORATED |
| 9 | H130667 | SUPPORT | 1 | | ELEVATOR |
| 10 | 19M7785 | SCREW | 2 | | M10 X 25 |
| | 14M7296 | FLANGE NUT | 2 | | M10 |
| 11 | 19M7865 | SCREW | 2 | | M8 X 16 |
| | 14M7298 | FLANGE NUT | 2 | | M8 |
| 12 | 19M7785 | SCREW | 2 | | M10 X 25 |
| 13 | 11M7081 | COTTER PIN | 1 | | 2.500 X 20 MM |
| 14 | RV810A | PIN | 1 | | |
| 15 | H101297 | LEVER | 1 | | |
| 16 | H105519 | U-BOLT | 1 | | |
| | 24M7139 | WASHER | 2 | | 6.400 X 18 X 1.600 MM |
| | 14M7397 | LOCK NUT | 2 | | M6 |
| 17 | AH130892 | DOOR | 1 | | SOLID |
| | AH130893 | DOOR | 1 | | PERFORATED |
| 18 | H76083 | PIN | 3 | | CUT TO LENGTH |
| 19 | 03M7184 | BOLT | 2 | | M8 X 20 |
| | 14M7298 | FLANGE NUT | 2 | | M8 |
| 20 | H130661 | BRACKET | 1 | | |
| 21 | AH130886 | SHIELD | 1 | | |
| 22 | H134826 | DEFLECTOR | 1 | -650300 | |
| | H147846 | DEFLECTOR | 1 | 650301- | |
| 23 | 03M7183 | BOLT | 2 | | M8 X 16 |
| | 14M7298 | FLANGE NUT | 2 | | M8 |
| 24 | 19M7865 | SCREW | 1 | | M8 X 16 |
| 25 | AH169233 | KIT | 1 | | COMPLETE TAILINGS ELEVATOR HOUSING, (SUB FOR AH131808, AH137288, AH136239, AH141573 OR AH156177) |
| 26 | H149997 | GRIP | 1 | | (SUB FOR AH131213) |
| 27 | AH142163 | SUPPORT | 1 | | (SUB FOR AH132855) |
| | AH151354 | SUPPORT | 1 | | FRENCH |
| 28 | H152086 | SHIELD | 1 | -29SEP7 | (SUB FOR H141547) |
| | H160715 | SHIELD | 1 | 29SEP7- | |
| 29 | H159491 | SHIELD | 1 | | (SUB FOR H152087) FRENCH GRAIN ONLY |
| 30 | H141548 | SHIELD | 1 | -645300 | |
| | H154959 | SHIELD | 1 | 645301- | (SUB FOR H146537) |
| 31 | 19M7775 | SCREW | 1 | | M6 X 16 |
| 32 | 14M7303 | FLANGE NUT | 1 | | M6 |
| 33 | H141549 | CLAMP | 1 | 640301- | |
| 34 | A44990 | LATCH | 1 | 640301- | |
| 35 | H129716 | WASHER | 2 | -646864 | 17 X 58 X 8 MM (0.669" X 2.283" X 0.315") |
| | 24M7239 | WASHER | 2 | 646865- | 10.700 X 21 X 2.500 MM |
| 36 | 14M7296 | FLANGE NUT | 2 | | M10 |
| 37 | 19M7866 | SCREW | 3 | | M8 X 20 |
| 38 | H158736 | PLATE | 1 | | |
| 39 | 14M7298 | FLANGE NUT | 3 | | M8 |
| 40 | M80082 | NUT | 8 | | |
| 41 | 03M7221 | BOLT | 8 | | M6 X 16 |
| 42 | 14M7303 | FLANGE NUT | 8 | | M6 |
| 43 | H168019 | COVER | 2 | | |
| .. | H149099 | DECAL | 1 | | |
| .. | BH71709 | COMPLETE GOODS/SHIP. BUNDLE | 1 | | PERFORATED DOORS |

8H23

RESIDUE DISPOSAL

TAILINGS ELEVATOR CONVEYOR CHAIN, SPROCKETS AND BEARINGS

HP3135 -UN-01JAN94



HP3135

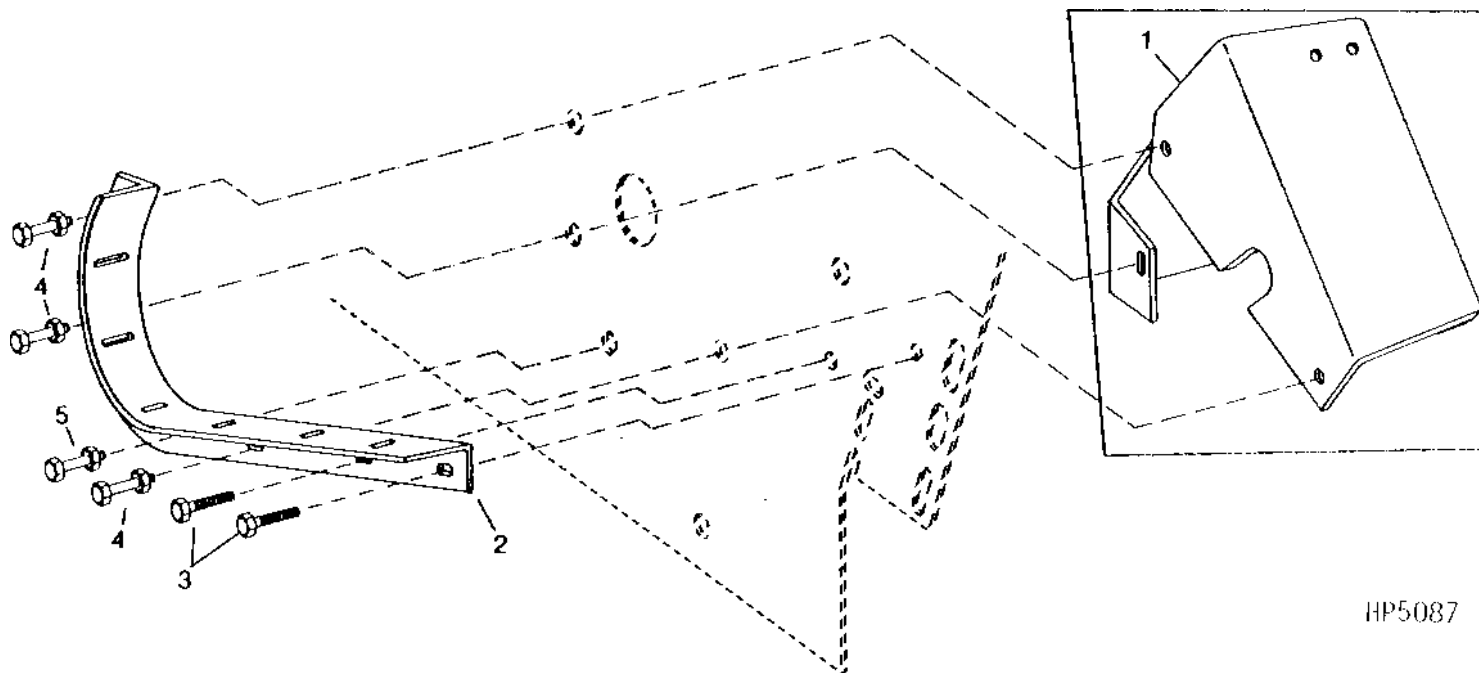
| KEY | PART NO. | PART NAME | QTY | SERIAL NO. | REMARKS |
|-----|----------|-------------------------|-----|-----------------------------------|---|
| 1 | 14M7277 | NUT | 1 | M20 | |
| 2 | 24M7277 | WASHER | 1 | 21 X 60 X 4 MM | |
| 3 | AH130571 | CHAIN SPROCKET | 1 | 30 TOOTH, DRIVE | |
| 4 | 03M7190 | BOLT | AR | M10 X 20 | |
| | 14M7296 | FLANGE NUT | AR | M10 | |
| 5 | E10018 | PRESSED FLANGED HOUSING | 4 | | |
| 6 | JD9313 | BALL BEARING | 2 | | |
| 7 | H134606 | SPACER | 1 | | |
| 8 | H134603 | CHAIN SPROCKET | 1 | 8 TOOTH (CONVEYOR) | |
| 9 | AH130570 | SHAFT | 1 | UPPER CONVEYOR | |
| 10 | AH131074 | LINK CHAIN | 1 | (CA550 ROLLER CHAIN) (25 PADDLES) | |
| | C10232 | LINK | 1 | -29SEP7 | ROLLER |
| | C10233 | CHAIN LINK | 1 | -657969 | (SUB AH137631) OFFSET |
| | AC11779 | PIN | 1 | | |
| | C10263 | TRACK CHAIN W/O SHOES | 1 | | COUPLER |
| | AC14974 | PIN | 1 | | |
| | H135235 | PADDLE | 25 | | RUBBER |
| | H86760 | PADDLE | 1 | | STEEL CLEANING |
| | | RIVET | 50 | | (SUB AH86897) |
| | AH87765 | CHAIN LINK | 25 | | |
| | AH158635 | CHAIN LINK | 1 | 29SEP7- | |
| 11 | | ROLLER CHAIN | 1 | | (MAKE FROM AH18482 OR P20351) ROLLER, TYPE 50, 16MM (5/8") PITCH, 124 LINKS |
| 12 | AH86897 | BOLT | AR | | (REPLACES RIVETS) (INCLUDES (1) H85934, (1) 12H302 AND (1) 14H786) |

8H24

RESIDUE DISPOSAL

LOWER TROUGH SUPPORT AND TAILINGS DRIVE BRACKET

HP5087 -UN-01JAN94



HP5087

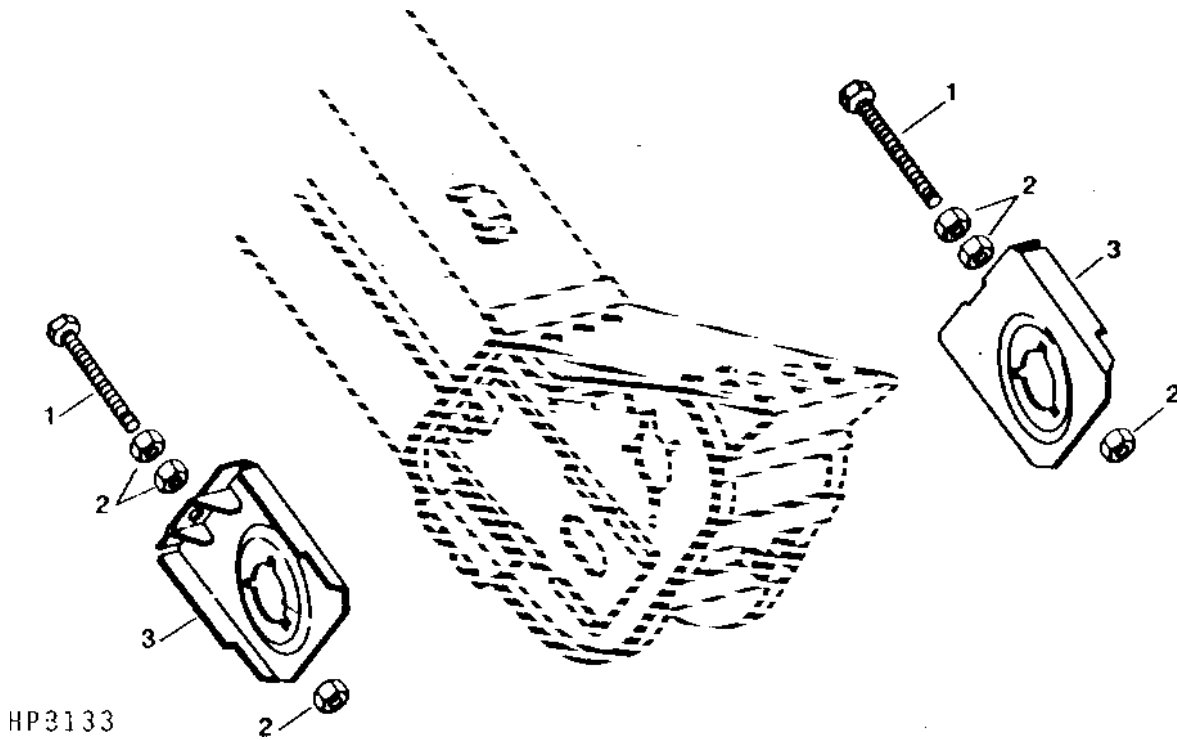
| KEY | PART NO. | PART NAME | QTY | SERIAL NO. | REMARKS |
|-----|----------|------------|-----|------------|--------------------------|
| 1 | AH131080 | BRACKET | 1 | -638004 | NOW WELDED ON SIDE SHEET |
| 2 | H134317 | SUPPORT | 1 | | |
| 3 | 19M7866 | SCREW | 2 | | M8 X 20 |
| 4 | 19M7867 | SCREW | 3 | | M8 X 25 |
| | 14M7298 | FLANGE NUT | 3 | | M8 |
| 5 | 19M7866 | SCREW | 1 | | M8 X 20 |
| | 14M7298 | FLANGE NUT | 1 | | M8 |

8H25

RESIDUE DISPOSAL

LOWER TAILINGS AUGER CHAIN TIGHTENER

HP3133 -UN-01JAN94



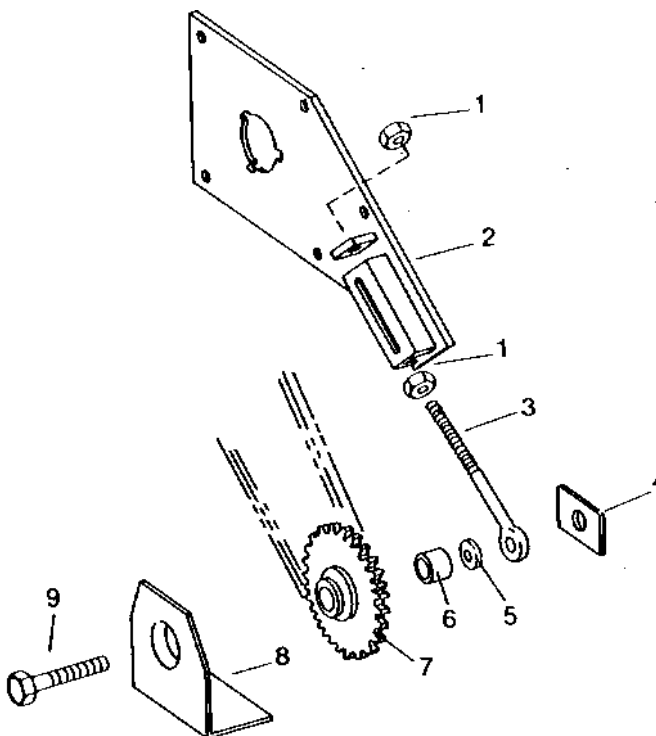
| KEY | PART NO. | PART NAME | QTY | SERIAL NO. | REMARKS |
|-----|----------|-----------|-----|------------|---------|
| 1 | 19M7596 | CAP SCREW | 2 | M16 X 160 | |
| 2 | 14M7276 | NUT | 6 | M16 | |
| 3 | AH130884 | BRACKET | 2 | | |

UPPER TAILINGS DRIVE CHAIN TIGHTENER

HP3142 -UN-01JAN94



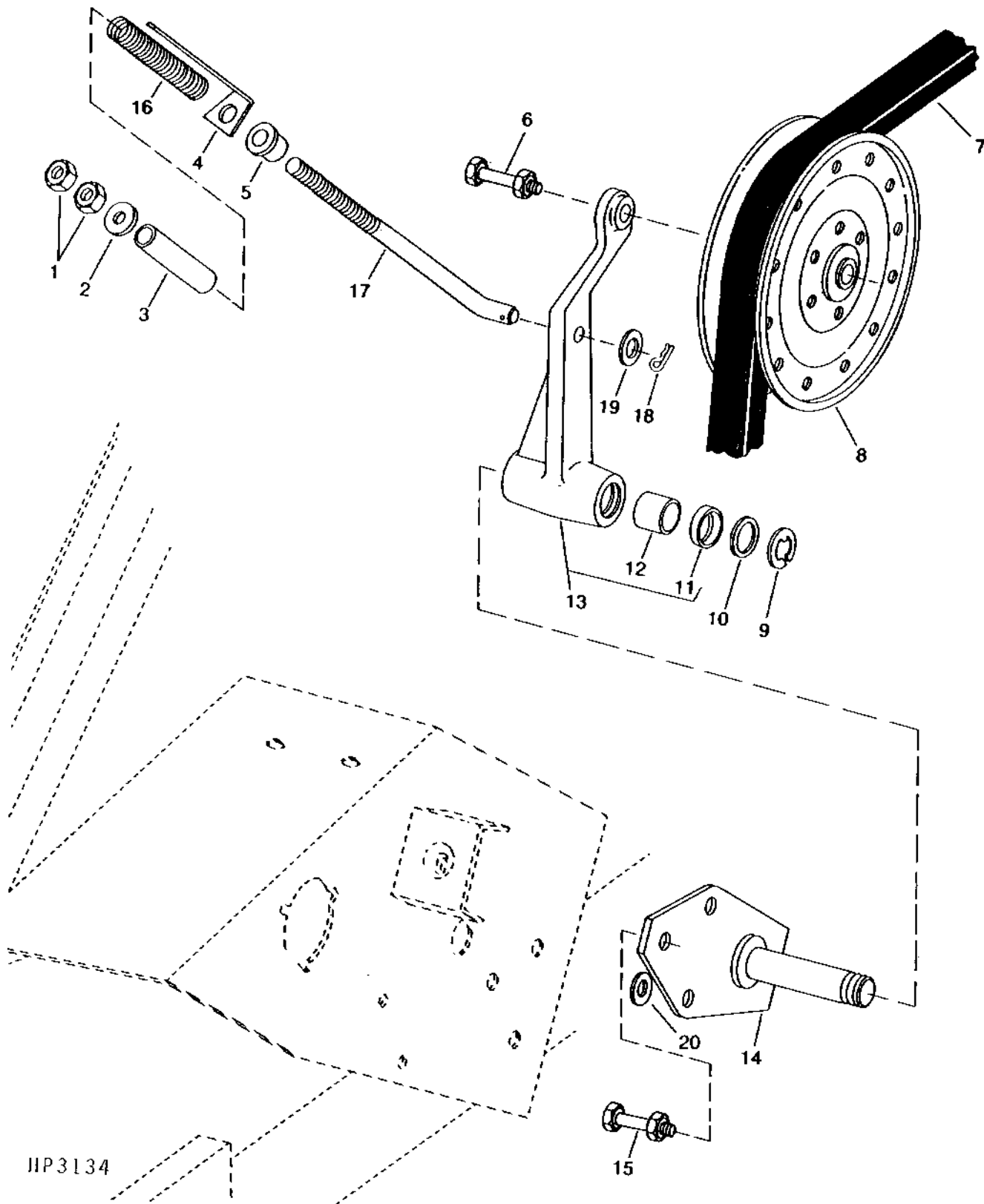
HP3142



| KEY | PART NO. | PART NAME | QTY | SERIAL NO. | REMARKS |
|-----|----------|----------------|-----|------------|-------------------------|
| 1 | 14H809 | NUT | 2 | -651354 | 1/2", (SUB 14H1040) |
| | 14H1040 | NUT | 2 | | 1/2" |
| 2 | AH128664 | SUPPORT | 1 | | IDLER |
| 3 | H130956 | EYEBOLT | 1 | | |
| 4 | H130957 | NUT | 1 | | M12 |
| 5 | 24M7047 | WASHER | 1 | | 13 X 24 X 2.500 MM |
| 6 | 28H1597 | WASHER | 1 | | 0.546" X 0.840" X 3/8" |
| 7 | AH98176 | CHAIN SPROCKET | 1 | | 17 TOOTH |
| 8 | H133031 | SHIELD | 1 | | |
| 9 | 19M7273 | CAP SCREW | 1 | -643457 | M12 X 60, (SUB 19M7363) |
| | 19M7363 | CAP SCREW | 1 | | M12 X 60 |

LOWER TAILINGS AUGER DRIVE TIGHTENER

HP3134 -UN-01JAN94



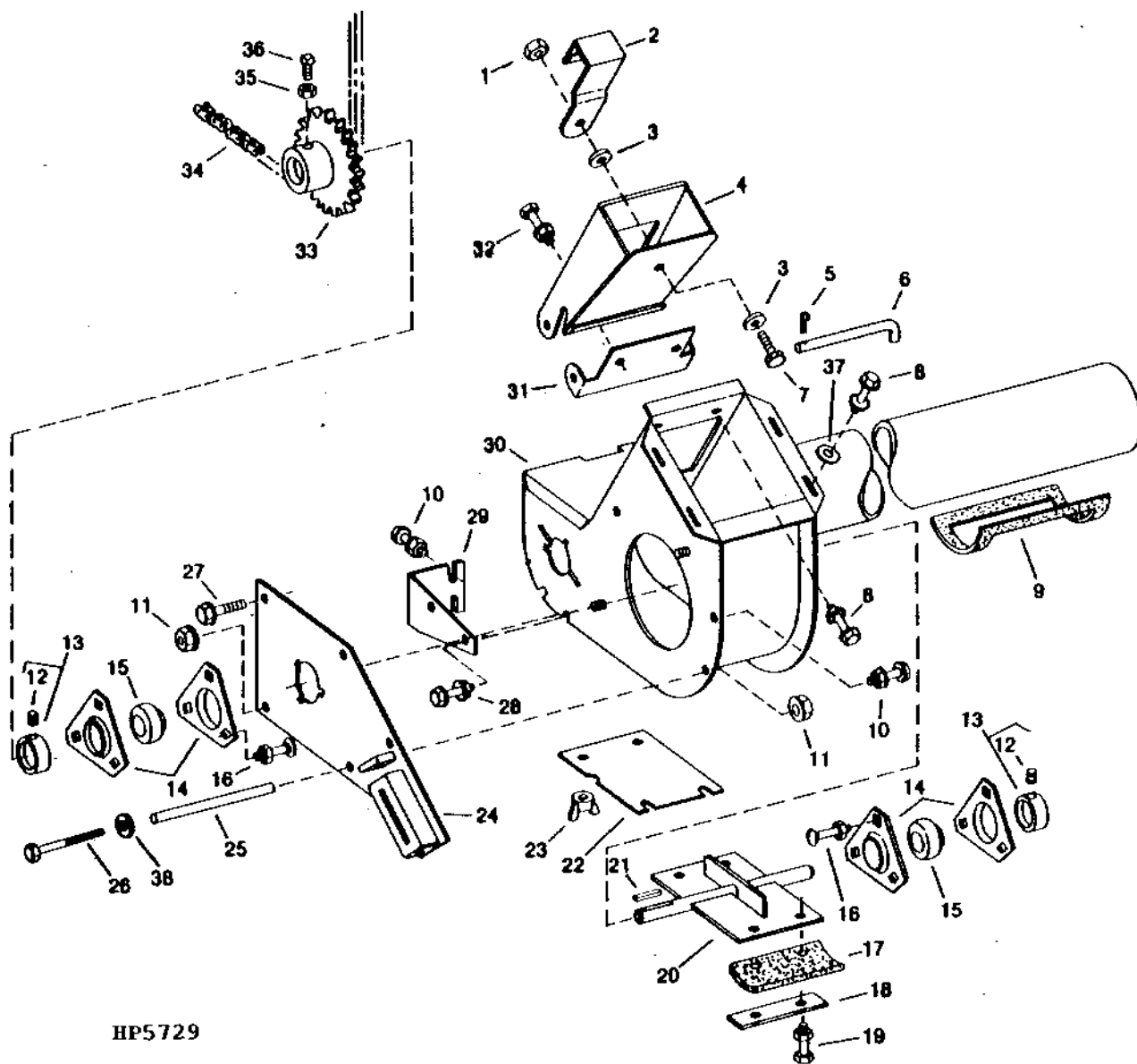
HP3134

LOWER TAILINGS AUGER DRIVE TIGHTENER - CONTINUED

| KEY | PART NO. | PART NAME | QTY | SERIAL NO. | REMARKS |
|-----|----------|------------|-----|------------|------------------------|
| 1 | 14M7275 | NUT | 2 | | M12 |
| 2 | 24M7180 | WASHER | 1 | | 13 X 37 X 3 MM |
| 3 | TY22326 | BULK HOSE | AR | | CUT TO LENGTH |
| 4 | H127872 | GAUGE | 1 | | |
| 5 | H129207 | PIVOT | 1 | | |
| 6 | 19M7824 | SCREW | 1 | | M16 X 60 |
| | 14M7291 | FLANGE NUT | 1 | | M16 |
| 7 | N110085 | BELT | 1 | | |
| 8 | AH85276 | PULLEY | 1 | -640300 | |
| | AH97031 | IDLER | 1 | 640301- | |
| 9 | P46402 | SNAP RING | 1 | | |
| 10 | 24M7091 | WASHER | 1 | | 26 X 44 X 4 MM |
| 11 | AA5607R | SEAL | 2 | | |
| 12 | H99147 | BUSHING | 2 | | (SUB H171061) |
| | H171061 | BEARING | 2 | | |
| 13 | AH126865 | ARM | 1 | | ELEVATOR DRIVE |
| 14 | AH156051 | SPRING PIN | 1 | | (SUB FOR AH109197) |
| 15 | 19M7785 | SCREW | 3 | | M10 X 25 |
| | 14M7296 | FLANGE NUT | 3 | | M10 |
| 16 | H26552 | SPRING | 1 | | |
| 17 | H118948 | HOOK BOLT | 1 | | IDLER |
| 18 | 11M7021 | COTTER PIN | 1 | | 4 X 25 MM |
| 19 | 24M7047 | WASHER | 1 | | 13 X 24 X 2.500 MM |
| 20 | 24M7178 | WASHER | AR | | 10.500 X 30 X 2.500 MM |

UPPER TAILINGS AUGER HOUSING AND PADDLE ASSEMBLY

HP5729 -UN-01JAN94



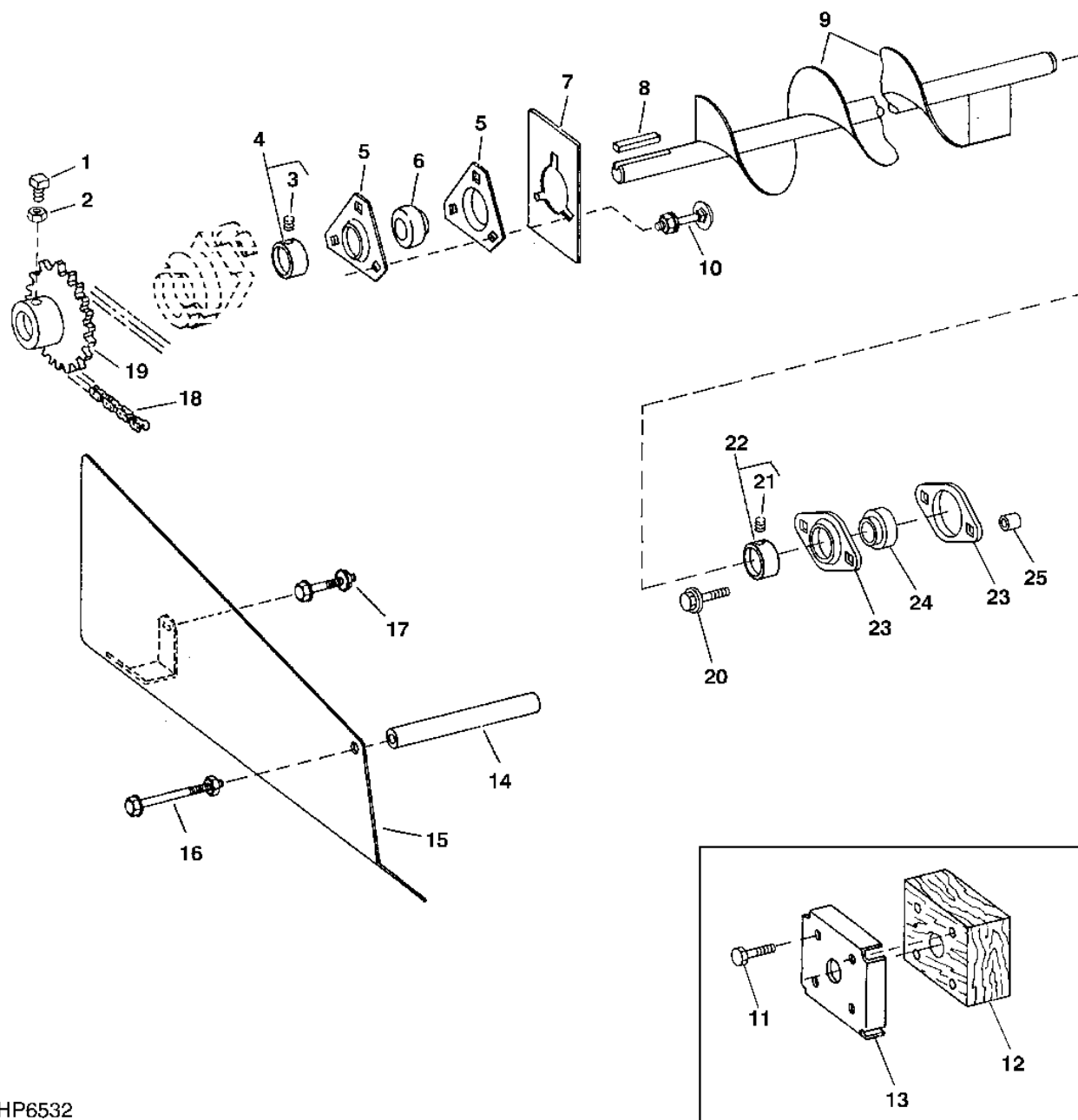
HP5729

UPPER TAILINGS AUGER HOUSING AND PADDLE ASSEMBLY - CONTINUED

| KEY | PART NO. | PART NAME | QTY | SERIAL NO. | REMARKS |
|-----|----------|--------------------------|-----|------------|---|
| 1 | 14M7397 | LOCK NUT | 1 | | M6 |
| 2 | H133541 | LATCH | 1 | | |
| 3 | 24M7139 | WASHER | 2 | | 6.400 X 18 X 1.600 MM |
| 4 | AH130136 | DOOR | 1 | | |
| 5 | J16931 | SPRING LOCKING PIN | 1 | | |
| 6 | H134068 | PIN | 1 | | |
| 7 | 19M7774 | SCREW | 1 | | M6 X 12 |
| 8 | 19M7865 | SCREW | 6 | -650300 | M8 X 16 |
| | 19M7866 | SCREW | 6 | 650301- | M8 X 20 |
| | 14M7298 | FLANGE NUT | 6 | | M8 |
| 9 | H126828 | SEAL | 1 | -636789 | |
| | H143735 | SEAL | 1 | 636790- | |
| 10 | 19M7866 | SCREW | 3 | | M8 X 20 |
| | 14M7298 | FLANGE NUT | 3 | | M8 |
| 11 | 14M7298 | FLANGE NUT | 3 | | M8 |
| 12 | 22M7080 | SET SCREW | 2 | | M8 X 8 |
| 13 | AZ10045 | ECCENTRIC LOCKING COLLAR | 2 | | |
| 14 | E10018 | PRESSED FLANGED HOUSING | AR | | |
| 15 | JD39103 | BALL BEARING | 2 | | |
| 16 | 03M7191 | BOLT | AR | | M10 X 25 |
| | 14M7296 | FLANGE NUT | AR | | M10 |
| 17 | H131639 | PADDLE | 4 | | RUBBER |
| 18 | H131638 | STRAP | 4 | | |
| 19 | 19M7868 | SCREW | AR | | M8 X 30 |
| | 14M7396 | LOCK NUT | AR | | M8 |
| 20 | AH128581 | PADDLE | 1 | | |
| 21 | | SHAFT KEY | AR | | 8 X 7 X 40 MM (IN AH141142 KEY STOCK KIT) (CUT FROM H150269) |
| 22 | H135309 | COVER | 1 | | CLEAN OUT |
| 23 | 14M7020 | WING NUT | AR | | M8 |
| 24 | AH128664 | SUPPORT | 1 | | IDLER |
| 25 | H140467 | BUSHING | 1 | | 9.246 X 13.716 X 104.775 MM (0.364" X 0.540" X 4-1/8") (SUB FOR 28H3367) |
| 26 | 19M8404 | CAP SCREW | 1 | | M8 X 130 |
| 27 | 19M7864 | SCREW | 1 | | M8 X 12 |
| 28 | 19M7862 | SCREW | 2 | | M6 X 20 |
| | 14M7303 | FLANGE NUT | 2 | | M6 |
| 29 | H133686 | SUPPORT | 1 | -650300 | |
| | H147967 | SUPPORT | 1 | 650301- | |
| 30 | AH149179 | TUBE | 1 | | (SUB FOR AH131086, AH137303, AH137582 OR AH141571) |
| 31 | H134065 | HINGE | 1 | | |
| 32 | 19M7865 | SCREW | 2 | | M8 X 16 |
| | 14M7298 | FLANGE NUT | 2 | | M8 |
| 33 | AH126008 | CHAIN SPROCKET | 1 | | 30 TOOTH |
| 34 | AH126007 | ROLLER CHAIN | 1 | | ROLLER, TYPE 50, 124 LINKS |
| 35 | 14M7274 | NUT | 2 | | M10 |
| 36 | H138435 | SET SCREW | 2 | | |
| 37 | 24M7207 | WASHER | 4 | | 8.400 X 24 X 2 MM |
| 38 | 24M7055 | WASHER | 1 | | 8.400 X 16 X 1.600 MM |

UPPER TAILINGS AUGER, DRIVE AND SHIELD

HP6532 -UN-23AUG96



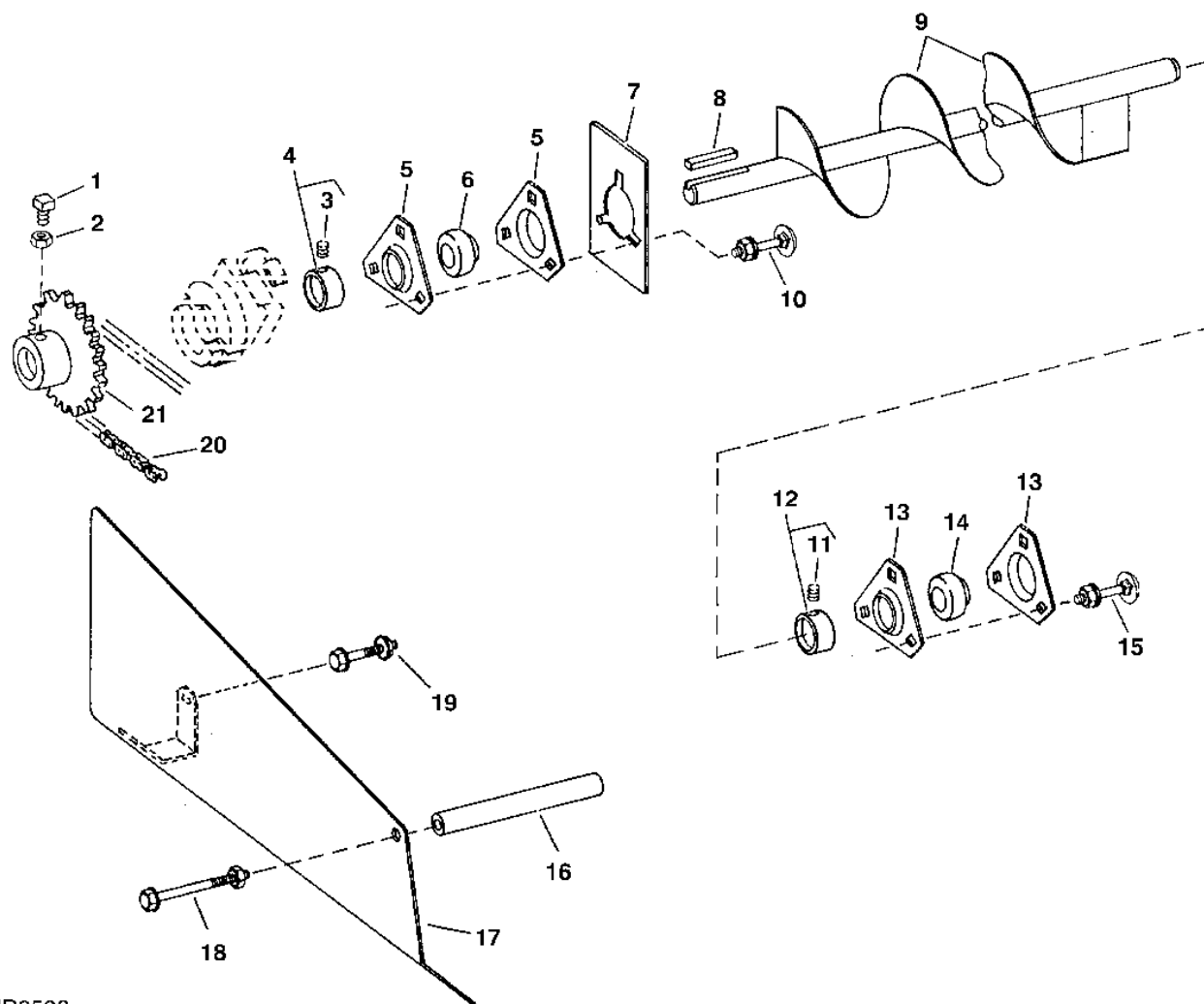
HP6532

UPPER TAILINGS AUGER, DRIVE AND SHIELD - CONTINUED

| KEY | PART NO. | PART NAME | QTY | SERIAL NO. | REMARKS |
|-----|----------|--------------------------|-----|------------|--|
| 1 | H138435 | SET SCREW | 2 | | |
| 2 | 14M7274 | NUT | 2 | M10 | |
| 3 | 22M7079 | SET SCREW | 1 | M6 X 6 | |
| 4 | AZ10044 | ECCENTRIC LOCKING COLLAR | 1 | | |
| 5 | H103264 | PRESSED FLANGED HOUSING | 2 | | |
| 6 | JD39102 | BALL BEARING | 1 | | |
| 7 | H148633 | END PLATE | 1 | | (SUB FOR H134055) |
| 8 | 49M4111 | SHAFT KEY | 1 | | 8 X 7 X 40 MM |
| 9 | AH125894 | AUGER | 1 | | |
| 10 | 03M7184 | BOLT | AR | | M8 X 20 |
| | 14M7298 | FLANGE NUT | AR | | M8 |
| 11 | 37M7102 | SCREW | AR | -666952 | M8 X 40 |
| 12 | H134962 | BEARING | 1 | -666952 | (SUB (2) 28H86, (2) M66125, JD39102, 22M7079, AZ10044 AND (2) 37M7092) WOOD, BEARING |
| 13 | H134963 | RETAINER | 1 | -666952 | |
| 14 | H140467 | BUSHING | 1 | | (SUB FOR 28H3367) |
| 15 | AH130982 | SHIELD | 1 | -640300 | |
| | AH160994 | SHIELD | 1 | 640301- | (SUB FOR AH135207) |
| 16 | 19M8262 | CAP SCREW | 1 | | M8 X 130 |
| | 14M7298 | FLANGE NUT | 1 | | M8 |
| | 24M7055 | WASHER | 1 | | 8.400 X 16 X 1.600 MM |
| 17 | 19M7862 | SCREW | 1 | | M6 X 20 |
| | 14M7303 | FLANGE NUT | 1 | | M6 |
| 18 | AH126007 | ROLLER CHAIN | 1 | | ROLLER, TYPE 50, 124 LINKS |
| 19 | AH121046 | CHAIN SPROCKET | 1 | | 22 TOOTH |
| 20 | 37M7092 | SCREW | 2 | | M8 X 16 |
| 21 | 22M7079 | SET SCREW | 1 | | M6 X 6 |
| 22 | AZ10044 | ECCENTRIC LOCKING COLLAR | 1 | | |
| 23 | M66125 | PRESSED FLANGED HOUSING | 2 | | |
| 24 | JD39102 | BALL BEARING | 1 | | |
| 25 | 28H86 | WASHER | 2 | | |

UPPER TAILINGS AUGER, DRIVE AND SHIELD

HP6533 -UN-23AUG96



HP6533

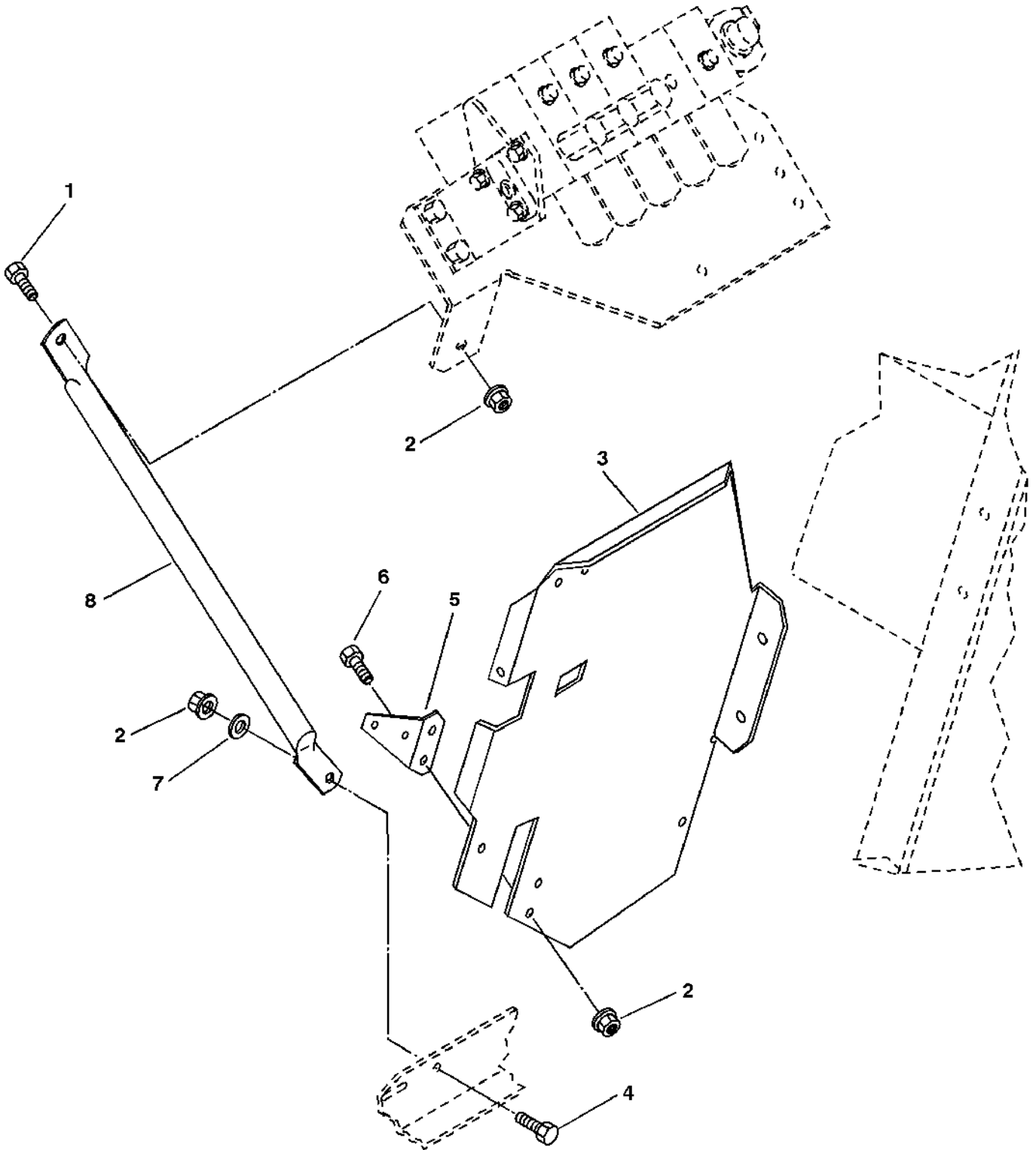
UPPER TAILINGS AUGER, DRIVE AND SHIELD - CONTINUED

| KEY | PART NO. | PART NAME | QTY | SERIAL NO. | REMARKS |
|-----|----------|--------------------------|-----|------------|----------------------------|
| 1 | H138435 | SET SCREW | 2 | | |
| 2 | 14M7274 | NUT | 2 | M10 | |
| 3 | 22M7079 | SET SCREW | 1 | M6 X 6 | |
| 4 | AZ10044 | ECCENTRIC LOCKING COLLAR | 1 | | |
| 5 | H103264 | PRESSED FLANGED HOUSING | 2 | | |
| 6 | JD39102 | BALL BEARING | 1 | | |
| 7 | H148633 | END PLATE | 1 | | (SUB FOR H134055) |
| 8 | 49M4111 | SHAFT KEY | 1 | | 8 X 7 X 40 MM |
| 9 | AH125894 | AUGER | 1 | | |
| 10 | 03M7184 | BOLT | AR | | M8 X 20 |
| | 14M7298 | FLANGE NUT | AR | | M8 |
| 11 | 22M7079 | SET SCREW | 1 | | M6 X 6 |
| 12 | AZ10044 | ECCENTRIC LOCKING COLLAR | 1 | | |
| 13 | H103264 | PRESSED FLANGED HOUSING | 2 | | |
| 14 | JD39102 | BALL BEARING | 1 | | |
| 15 | 03M7184 | BOLT | 3 | | M8 X 20 |
| | 14M7298 | FLANGE NUT | 3 | | M8 |
| 16 | H140467 | BUSHING | 1 | | (SUB FOR 28H3367) |
| 17 | AH130982 | SHIELD | 1 | -640300 | |
| | AH160994 | SHIELD | 1 | 640301- | (SUB FOR AH135207) |
| 18 | 19M8262 | CAP SCREW | 1 | | M8 X 130 |
| | 14M7298 | FLANGE NUT | 1 | | M8 |
| | 24M7055 | WASHER | 1 | | 8.400 X 16 X 1.600 MM |
| 19 | 19M7862 | SCREW | 1 | | M6 X 20 |
| | 14M7303 | FLANGE NUT | 1 | | M6 |
| 20 | AH126007 | ROLLER CHAIN | 1 | | ROLLER, TYPE 50, 124 LINKS |
| 21 | AH121046 | CHAIN SPROCKET | 1 | | 22 TOOTH |

8110

RESIDUE DISPOSAL

UPPER REAR TAILINGS SHEILD
HP6774 -UN-18AUG97

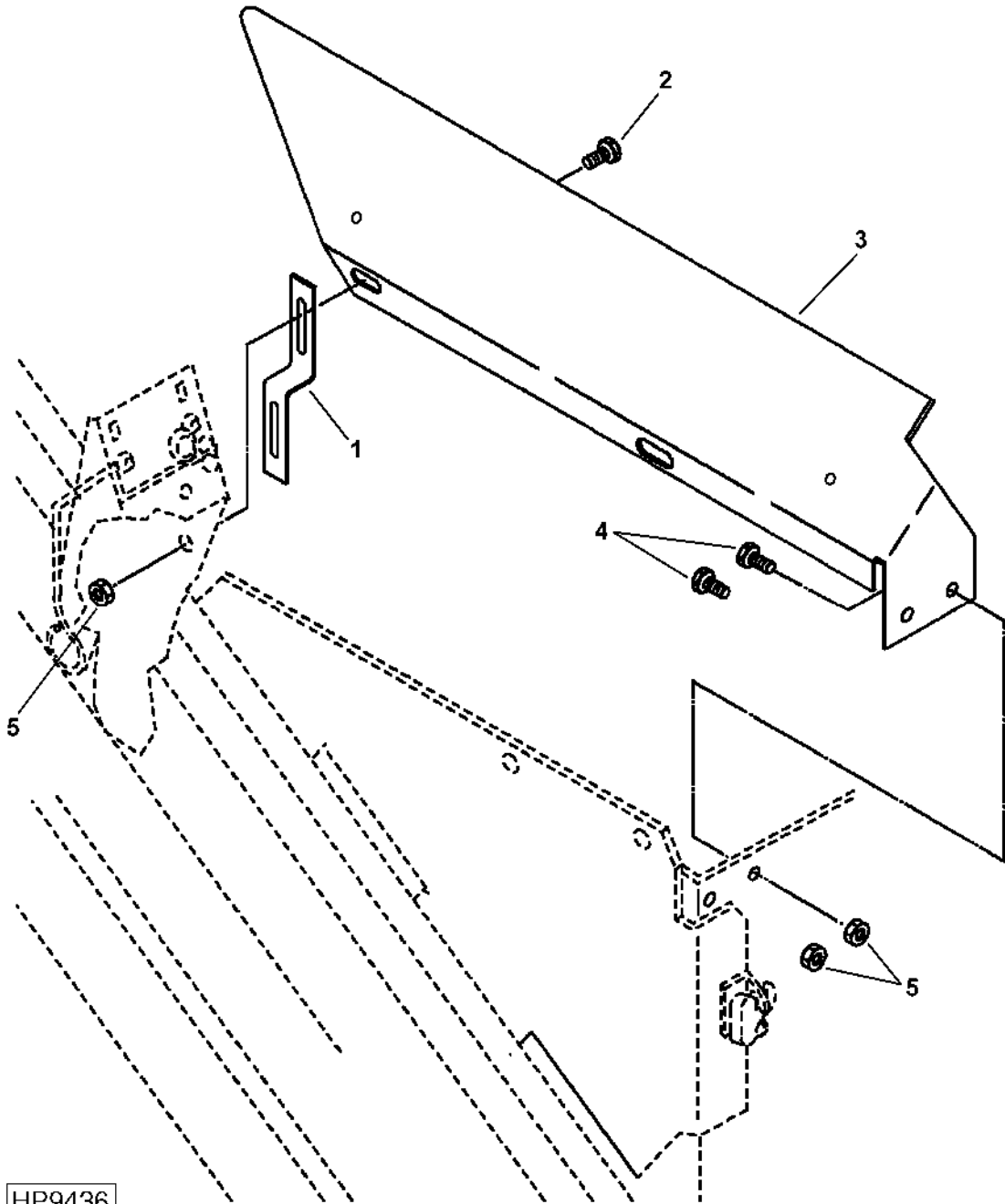


HP6774

UPPER REAR TAILINGS SHEILD - CONTINUED

| KEY | PART NO. | PART NAME | QTY | SERIAL NO. | REMARKS |
|-----|----------------|------------------------------------|----------|----------------------------|---------|
| 1 | 19M7866 | SCREW | 1 | M8 X 20 | |
| 2 | 14M7298 | FLANGE NUT | 3 | M8 | |
| 3 | H158629 | SHIELD | 1 | | |
| 4 | 19M7803 | SCREW | 1 | M8 X 70 | |
| 5 | H158615 | ANGLE | 1 | | |
| 6 | 19M7865 | SCREW | 2 | M8 X 16 | |
| 7 | 24M7207 | WASHER | 1 | 8.400 X 24 X 2 MM | |
| 8 | H158638 | BRACE | 1 | | |
| .. | BH80537 | COMPLETE GOODS/SHIP. BUNDLE | 1 | CLEANING FAN SHIELD | |

REAR LEFT SIDE TAILINGS SHIELD
HP9436 -UN-15DEC99



HP9436

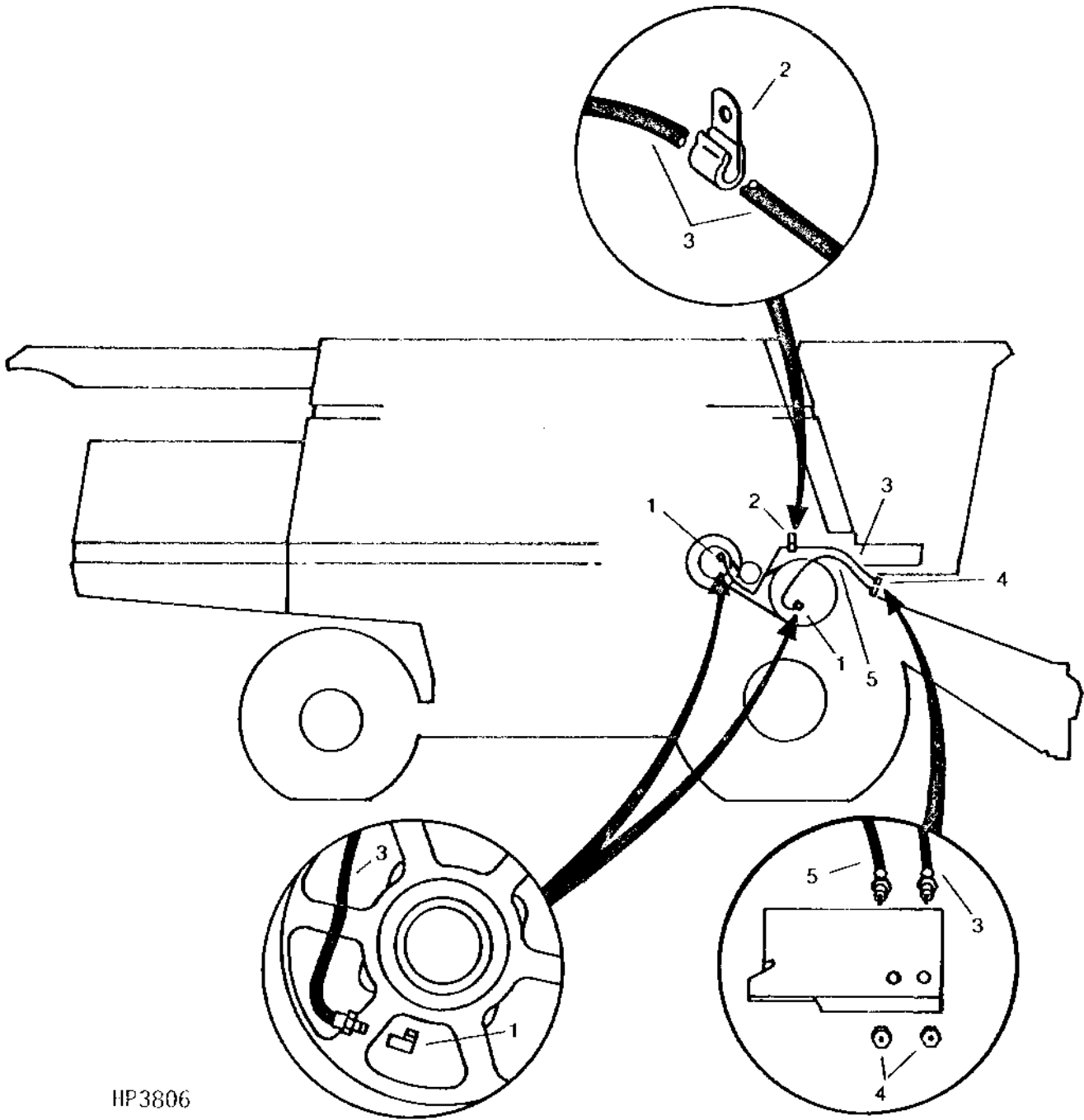
REAR LEFT SIDE TAILINGS SHIELD - CONTINUED

| KEY | PART NO. | PART NAME | QTY | SERIAL NO. | REMARKS |
|-----|----------------|------------------------------------|-----|-----------------------------|----------------------------------|
| 1 | H163757 | BRACKET | 1 | | |
| 2 | 19M7866 | SCREW | 1 | M8 X 20 | |
| 3 | H164556 | SHIELD | 1 | (SUB FOR H160804) L.H. REAR | |
| 4 | 19M7865 | SCREW | 2 | M8 X 16 | |
| 5 | 14M7298 | FLANGE NUT | 3 | M8 | |
| .. | BH80537 | COMPLETE GOODS/SHIP. BUNDLE | 1 | | CLEANING FAN SHIELD, WIDE |

8114

RESIDUE DISPOSAL

LUBE HOSES R.H.
HP3806 -UN-01JAN94



HP3806

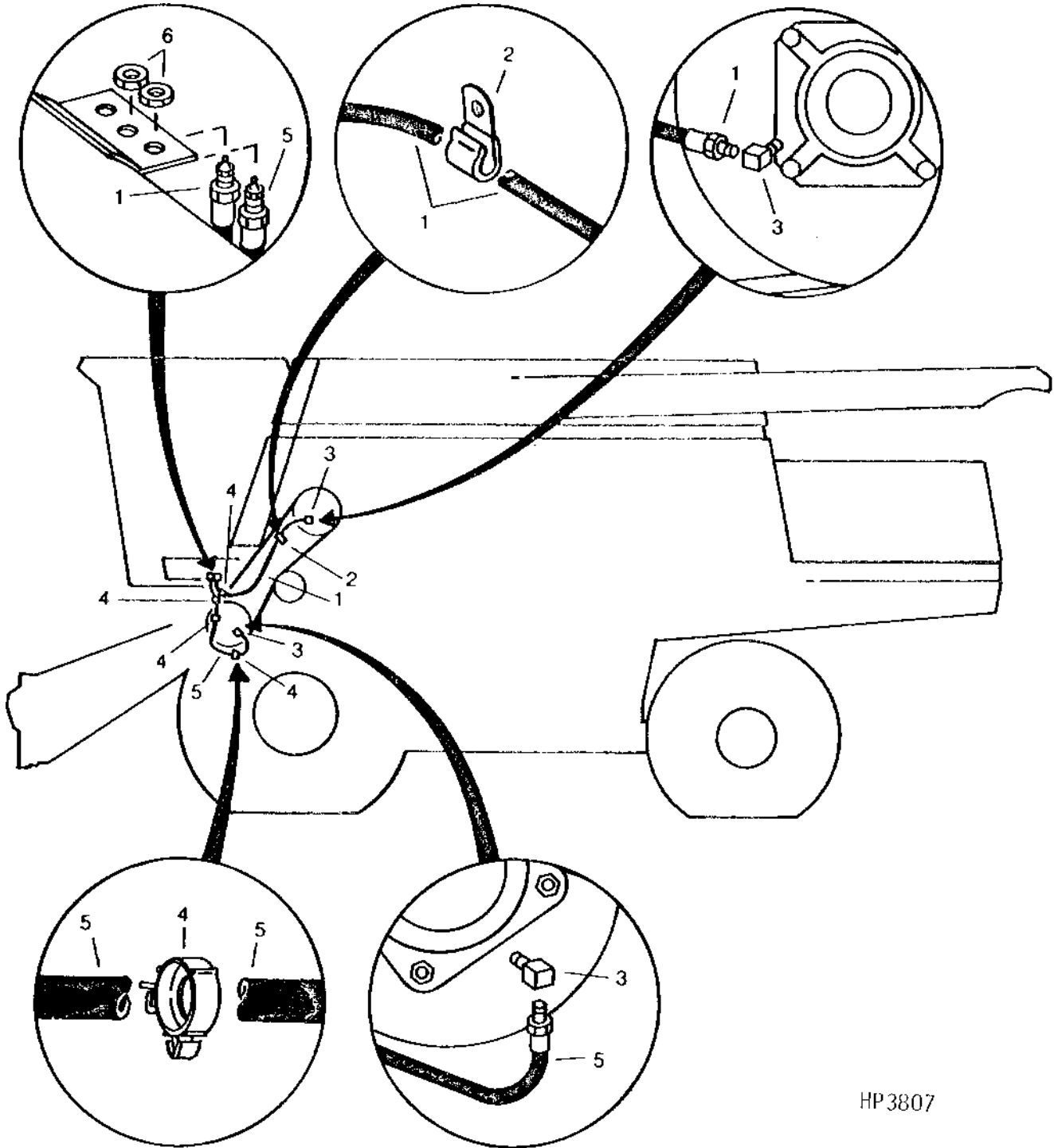
LUBE HOSES R.H. - CONTINUED

| KEY | PART NO. | PART NAME | QTY | SERIAL NO. | REMARKS |
|-----|----------|---------------|-----|------------|--------------------------------|
| 1 | JD7845 | ELBOW FITTING | 2 | | |
| 2 | AH96317 | CLIP | 1 | | |
| 3 | AH121007 | HOSE | 1 | | 1/8" X 1 400 MM (55") X 1/8" |
| 4 | E12379 | NUT | 2 | | |
| 5 | AH121009 | HOSE | 1 | | 1/8" X 910 MM (35-3/4") X 1/8" |

8116

RESIDUE DISPOSAL

LUBE HOSES L.H.
HP3807 -UN-01JAN94



HP3807

LUBE HOSES L.H. - CONTINUED

| KEY | PART NO. | PART NAME | QTY | SERIAL NO. | REMARKS |
|-----|----------|----------------|-----|------------|--------------------------------|
| 1 | AH121009 | HOSE | 1 | | 1/8" X 910 MM (35-3/4") X 1/8" |
| 2 | AH96317 | CLIP | 1 | | |
| 3 | JD7845 | ELBOW FITTING | 2 | | |
| 4 | H140149 | HOLD-DOWN CLIP | 4 | | |
| 5 | AH121009 | HOSE | 1 | | 1/8" X 910 MM (35-3/4") X 1/8" |
| 6 | E12379 | NUT | 2 | | 3.175 MM (1/8") |

MEMORANDA

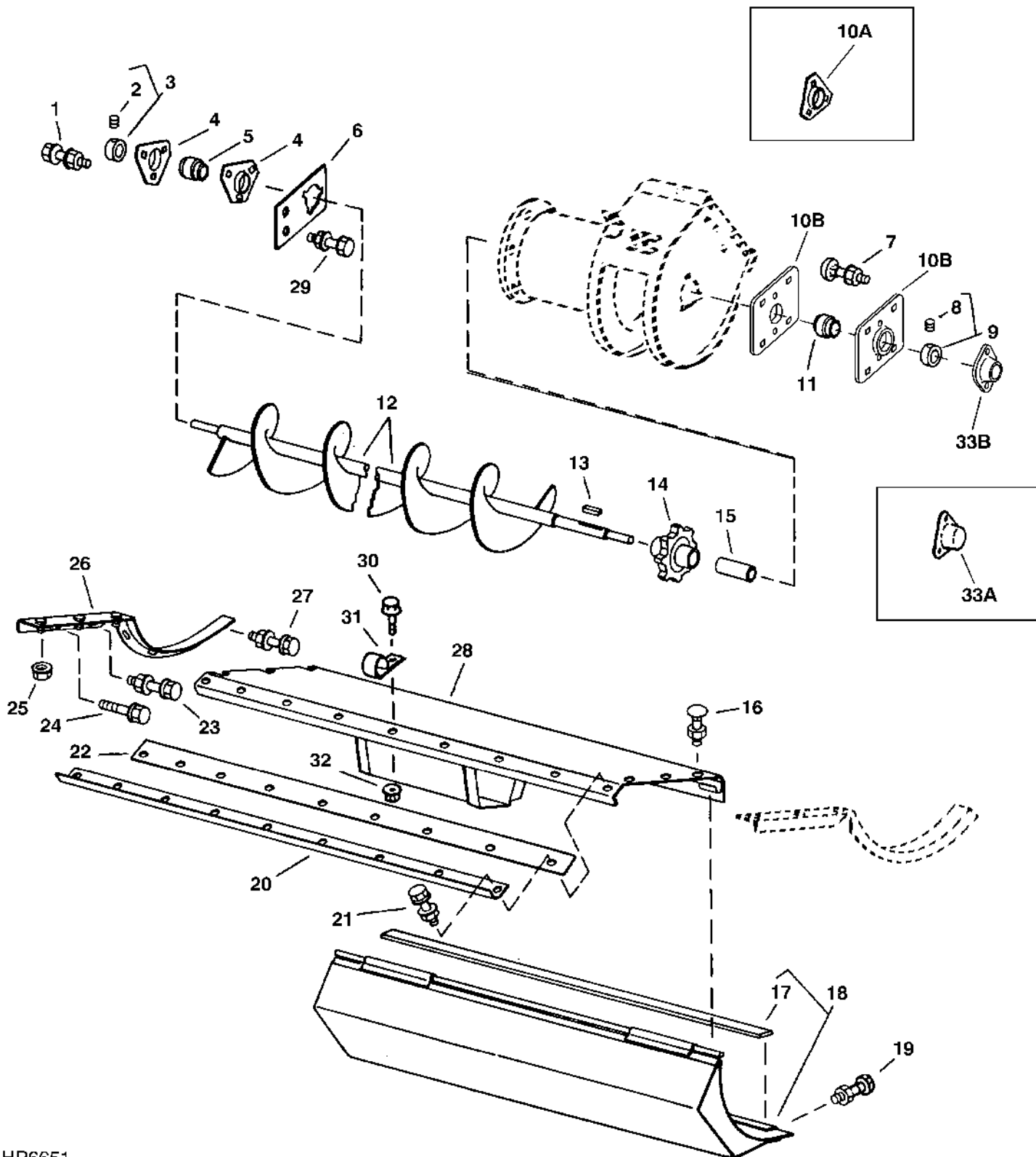
MEMORANDA

9B19

CLEAN GRAIN ELEVATOR, GRAIN TANK AND UNLOADING AUGER

CLEAN GRAIN LOWER AUGER AND HINGED DOOR

HP6651 -UN-07MAR97



HP6651

9B20

CLEAN GRAIN ELEVATOR, GRAIN TANK AND UNLOADING AUGER

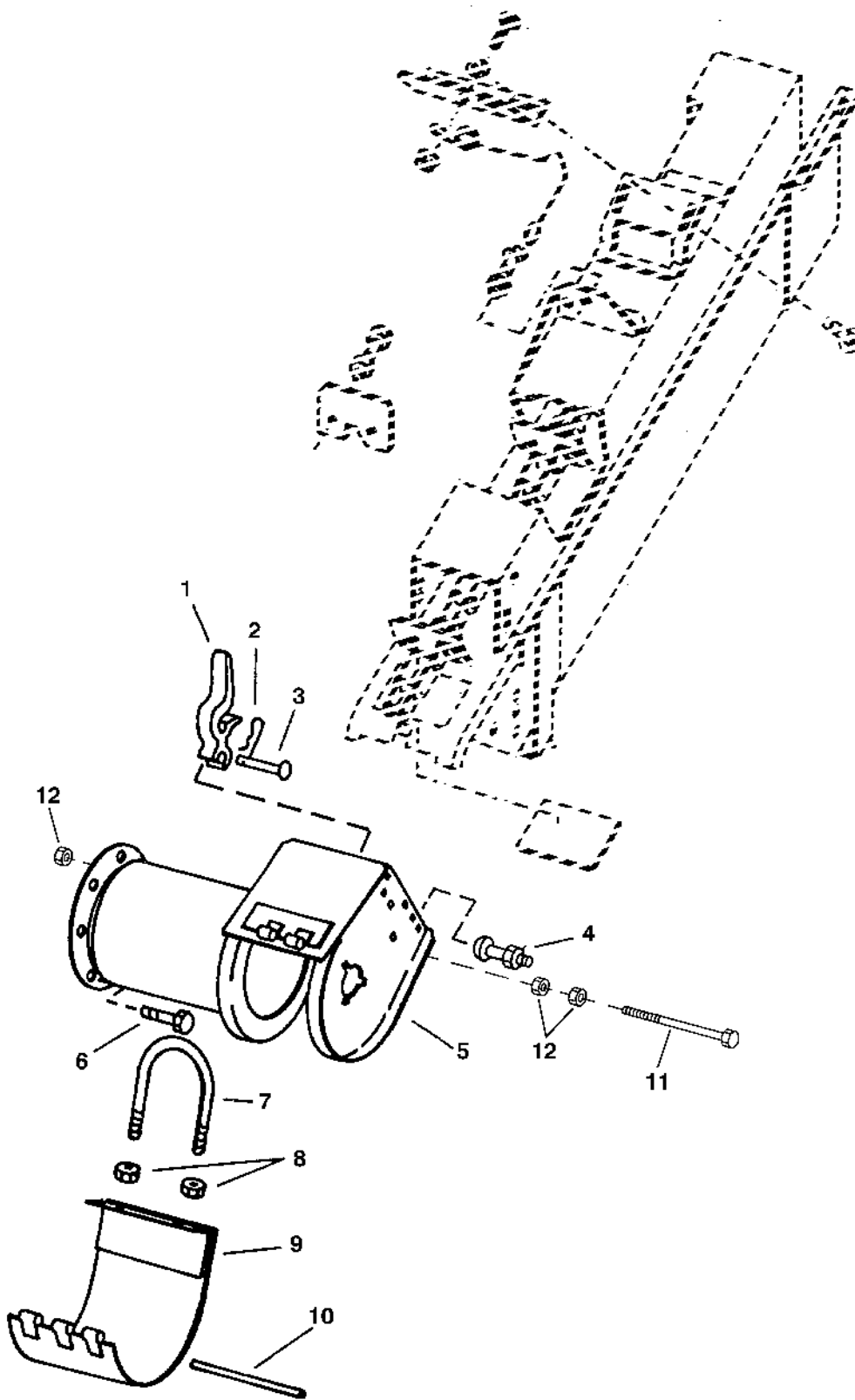
CLEAN GRAIN LOWER AUGER AND HINGED DOOR - CONTINUED

| KEY | PART NO. | PART NAME | QTY | SERIAL NO. | REMARKS |
|-----|----------------|------------------------------------|----------|------------|---|
| 1 | 19M7867 | SCREW | 3 | | M8 X 25 |
| | 14M7298 | FLANGE NUT | 3 | | M8 |
| 2 | 22M7079 | SET SCREW | 1 | | M6 X 6 |
| 3 | AZ10044 | ECCENTRIC LOCKING COLLAR | 1 | | |
| 4 | H103264 | PRESSED FLANGED HOUSING | 2 | | |
| 5 | JD39102 | BALL BEARING | 1 | | |
| 6 | H132539 | COVER | 1 | | |
| 7 | 03M7190 | BOLT | 3 | | M10 X 20, (SUB 03M7193 AND Z38380) |
| | 24H1307 | WASHER | 3 | | 13/32" X 1" X 1/16", (SUB Z36140 AND Z38380) |
| | 14M7296 | FLANGE NUT | 3 | | M10 |
| | 03M7193 | BOLT | 3 | | M10 X 35 |
| | Z36140 | WASHER | 3 | | |
| | 14M7296 | FLANGE NUT | 3 | | M10 |
| 8 | 22M7080 | SET SCREW | 1 | | M8 X 8 |
| 9 | AZ10045 | ECCENTRIC LOCKING COLLAR | 1 | | |
| 10A | E10018 | PRESSED FLANGED HOUSING | 2 | -670300 | |
| 10B | H152916 | PRESSED FLANGED HOUSING | 2 | 670301- | |
| 11 | JD39103 | BALL BEARING | 1 | | |
| 12 | AH141576 | AUGER | 1 | | (SUB FOR AH128733 OR AH133374) |
| | N109389 | BUSHING | 1 | | (USE WITH AH141576) |
| 13 | | SHAFT KEY | 1 | | 8 X 7 X 40 MM (IN AH141142 KEY STOCK KIT) (CUT FROM H150269) |
| 14 | H133143 | CHAIN SPROCKET | 1 | | |
| 15 | H150116 | SPACER | 1 | | (SUB FOR H133655 OR H138593) |
| 16 | 03M7183 | BOLT | 3 | | M8 X 16 |
| | 14M7298 | FLANGE NUT | 3 | | M8 |
| 17 | H88773 | ISOLATOR | AR | | CUT TO 1565 MM, 61-5/8". USE ONLY ON DOOR WITH PROTECTIVE PLATE. |
| 18 | AH139386 | DOOR | 1 | | (SUB FOR AH117278) SOLID |
| | AH139387 | DOOR | 1 | | (SUB FOR AH117279) PERFORATED |
| | AH139390 | DOOR | 1 | | (SUB FOR AH118250) SOLID, WITH PROTECTIVE PLATE |
| 19 | 19M7799 | SCREW | 5 | | M8 X 45 |
| | 14M7396 | LOCK NUT | 5 | | M8 |
| 20 | H98546 | REINFORCEMENT | 1 | | |
| 21 | 19M7866 | SCREW | 10 | | M8 X 20 |
| | 14M7298 | FLANGE NUT | 10 | | M8 |
| 22 | H98547 | STRAP | 1 | | |
| 23 | 19M7865 | SCREW | 2 | | M8 X 16 |
| | 14M7298 | FLANGE NUT | 2 | | M8 |
| 24 | 19M7865 | SCREW | 1 | | M8 X 16, INTO WELDNUT |
| 25 | 14M7298 | FLANGE NUT | 3 | | M8 |
| 26 | AH122506 | REINFORCEMENT | 1 | | |
| 27 | 19M7802 | SCREW | 3 | -646265 | M8 X 65 |
| | 19M7802 | SCREW | 2 | 646266- | M8 X 65 |
| | 14M7298 | FLANGE NUT | 3 | -646265 | M8 |
| | 14M7298 | FLANGE NUT | 2 | 646266- | M8 |
| | 19M8039 | SCREW | 3 | | M8 X 80 (FRENCH) |
| 28 | AH117276 | HINGE | 1 | | |
| 29 | 19M7865 | SCREW | 2 | | M8 X 16 |
| | 14M7298 | FLANGE NUT | 2 | | M8 |
| 30 | 19M7865 | SCREW | 1 | | M8 X 16 |
| 31 | AH77884 | CLIP | 1 | | |
| 32 | 14M7298 | FLANGE NUT | 1 | | M8 |
| 33A | Z38380 | GUARD | 1 | -670300 | |
| 33B | H155968 | COVER | 1 | 670301- | |
| .. | BH71709 | COMPLETE GOODS/SHIP. BUNDLE | 1 | | PERFORATED DOORS |
| .. | BH80067 | COMPLETE GOODS/SHIP. BUNDLE | 1 | | PLAIN DOOR WITH PROTECTED PLATE |

9B21

CLEAN GRAIN ELEVATOR, GRAIN TANK AND UNLOADING AUGER

CLEAN GRAIN LOWER ELEVATOR AND CONVEYOR CHAIN
HP6653 -UN-07MAR97



HP6653

9B22

CLEAN GRAIN ELEVATOR, GRAIN TANK AND UNLOADING AUGER

CLEAN GRAIN LOWER ELEVATOR AND CONVEYOR CHAIN - CONTINUED

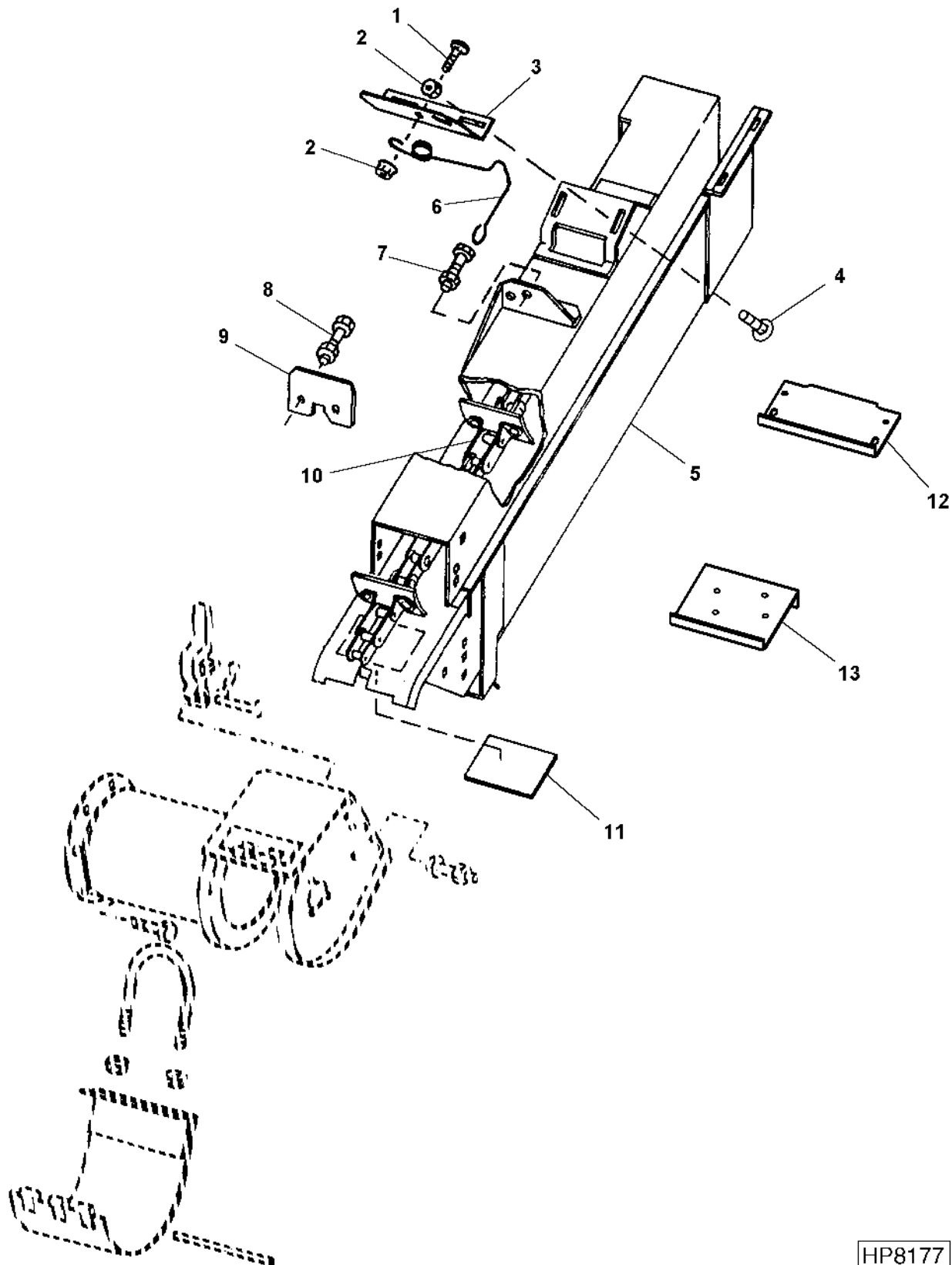
| KEY | PART NO. | PART NAME | QTY | SERIAL NO. | REMARKS |
|-----|----------------|------------------------------------|----------|------------|--|
| 1 | H101297 | LEVER | 1 | | |
| 2 | 11M7081 | COTTER PIN | 1 | | 2.500 X 20 MM |
| | 11H211 | COTTER PIN | 1 | | 1/8" X 3/4", (STAINLESS STEEL) |
| 3 | RV810A | PIN | 1 | | 7.925 X 38.100 MM (5/16" X 1-1/2") |
| 4 | 03M7251 | BOLT | 14 | | M6 X 12 |
| | 14M7303 | FLANGE NUT | 14 | | M6 |
| 5 | AH149181 | BOOT | 1 | | (SUB FOR AH136487, AH136486, AH134561, AH125555, AH129356 OR AH134563) |
| 6 | 19M7865 | SCREW | 8 | | M8 X 16 |
| | 37M7058 | SCREW | 8 | | M8 X 20 |
| 7 | H128877 | U-BOLT | 1 | | |
| 8 | 14M7396 | LOCK NUT | 2 | | M8 |
| 9 | AH129358 | DOOR | 1 | | (SUB FOR AH125559) (STAINLESS STEEL) |
| | AH127397 | DOOR | 1 | | (PERFORATED) |
| 10 | H76083 | PIN | 1 | | 6.350 X 863.600 MM (1/4" X 34") (SUB FOR H103318) |
| 11 | 19M8241 | CAP SCREW | 1 | 670910- | M10 X 100 |
| | 14M7296 | FLANGE NUT | 3 | 670910- | M10 |
| .. | BH71709 | COMPLETE GOODS/SHIP. BUNDLE | 1 | | PERFORMATED DOOR |

9B23

CLEAN GRAIN ELEVATOR, GRAIN TANK AND UNLOADING AUGER

CLEAN GRAIN LOWER ELEVATOR AND CONVEYOR CHAIN

HP8177 -UN-19JAN99



HP8177

9B24

CLEAN GRAIN ELEVATOR, GRAIN TANK AND UNLOADING AUGER

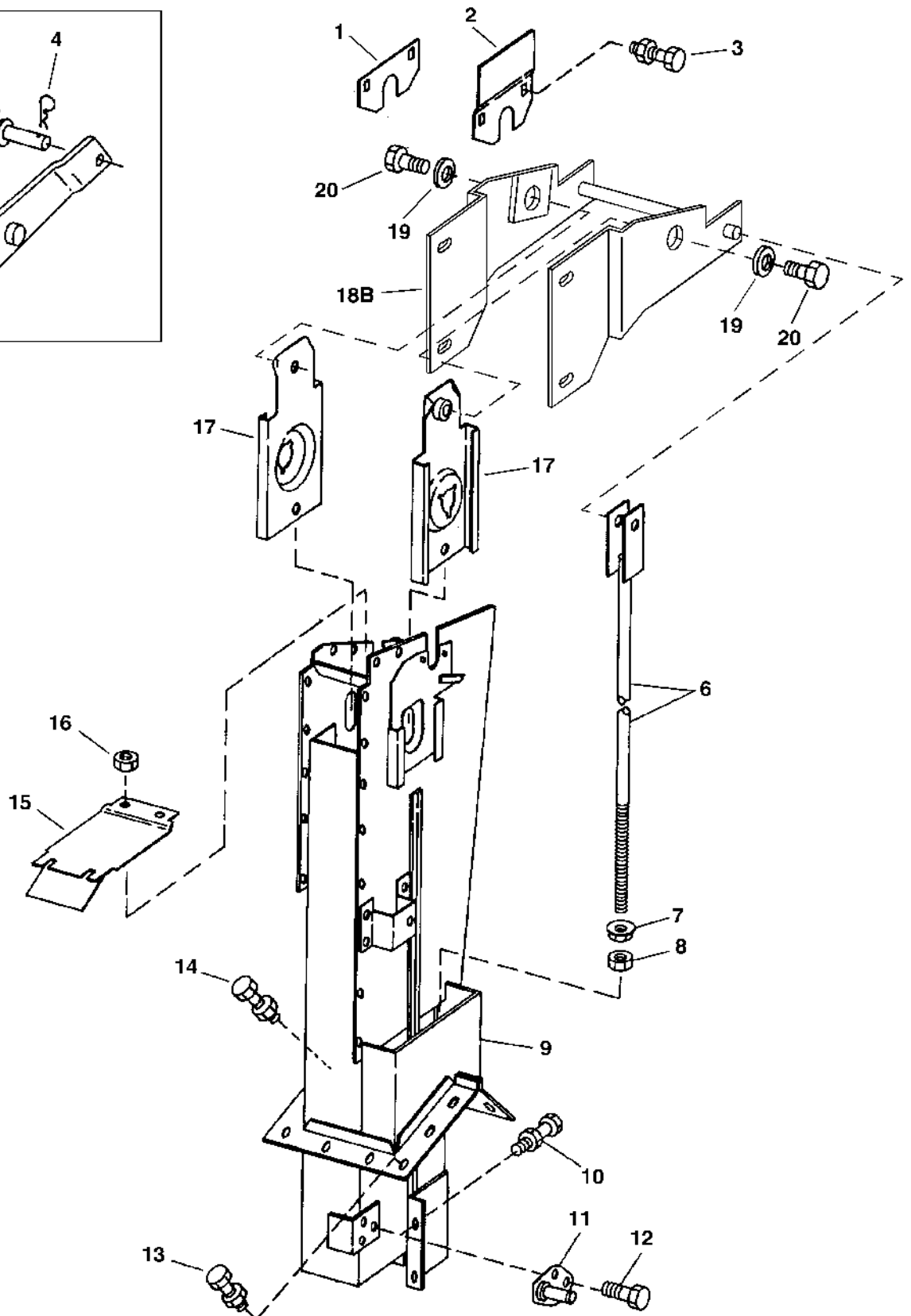
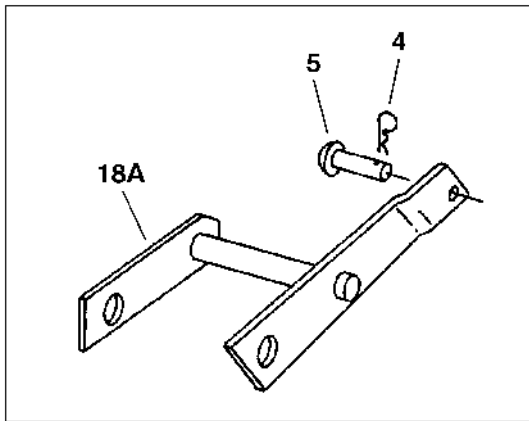
CLEAN GRAIN LOWER ELEVATOR AND CONVEYOR CHAIN - CONTINUED

| KEY | PART NO. | PART NAME | QTY | SERIAL NO. | REMARKS |
|-----|----------|-----------------------|-----|---------------|---|
| 1 | 19M7784 | SCREW | 1 | | M10 X 20 |
| 2 | 14M7296 | FLANGE NUT | 3 | | M10 |
| 3 | H129389 | BRACKET | 1 | | |
| 4 | 03M7190 | BOLT | 2 | | M10 X 20 |
| 5 | AH156596 | ELEVATOR | 1 | | (SUB FOR AH142190, AH141827, AH135667, AH149202 OR AH156180) |
| | AH156811 | ELEVATOR | 1 | | (SUB FOR AH149203, AH142194, AH141852 OR AH135669) |
| | AH142193 | ELEVATOR | 1 | | (SUB FOR AH141829 OR AH125602) |
| | AH142196 | ELEVATOR | 1 | | (SUB FOR AH141839 OR AH129364) |
| 6 | H130930 | SPRING | 1 | | |
| 7 | 19M7784 | SCREW | 1 | | |
| | 14M7296 | FLANGE NUT | 1 | | |
| 8 | AH138947 | KIT | AR | | (INCLUDES H144971,12H11 AND 14H255) (REPLACES RIVETS IN RUBBER PADDLES) |
| | H144971 | BOLT | 2 | | 3/8", FOR STEEL CLEANING PADDLES |
| | 12H11 | LOCK WASHER | 2 | | 3/8", FOR STEEL CLEANING PADDLES |
| | 14H255 | NUT | 2 | | 3/8", FOR STEEL CLEANING PADDLES |
| 9 | H132228 | PADDLE | 1 | | (STEEL CLEANING) |
| 10 | AH132807 | LINK CHAIN | 1 | -670300 | (CA-550 ROLLER CHAIN) (35 PADDLES) |
| | C10232 | LINK | 1 | | (ROLLER) |
| | C10233 | CHAIN LINK | 1 | | (SUB AH137631) (OFFSET, WITH PIN) |
| | AC11779 | PIN | 1 | | |
| | C10263 | TRACK CHAIN W/O SHOES | 1 | | (COUPLER) |
| | AC14974 | PIN | 1 | | |
| | H137277 | PADDLE | 34 | | (RUBBER) |
| | AH149321 | LINK CHAIN | 1 | 670301-26OC98 | |
| | AH162442 | LINK CHAIN | 1 | 26OC98- | |
| 11 | T37851 | REINFORCEMENT | 1 | | |
| 12 | PF80112 | PLATE | 1 | 19MAY7- | LESS GREENSTAR |
| 13 | PF80113 | PLATE | 1 | 19MAY7- | LESS GREENSTAR |
| .. | M80082 | NUT | 8 | 670301-670909 | 6.350 MM |
| .. | 03M7221 | BOLT | 8 | 670301-670909 | M6 X 16, LESS GREENSTAR |
| .. | 14M7303 | FLANGE NUT | 8 | 670301-670909 | M6, LESS GREENSTAR |

9C1

CLEAN GRAIN ELEVATOR, GRAIN TANK AND UNLOADING AUGER

UPPER CLEAN GRAIN ELEVATOR HP6652 -UN-20MAR97



HP6652

9C2

CLEAN GRAIN ELEVATOR, GRAIN TANK AND UNLOADING AUGER

UPPER CLEAN GRAIN ELEVATOR - CONTINUED

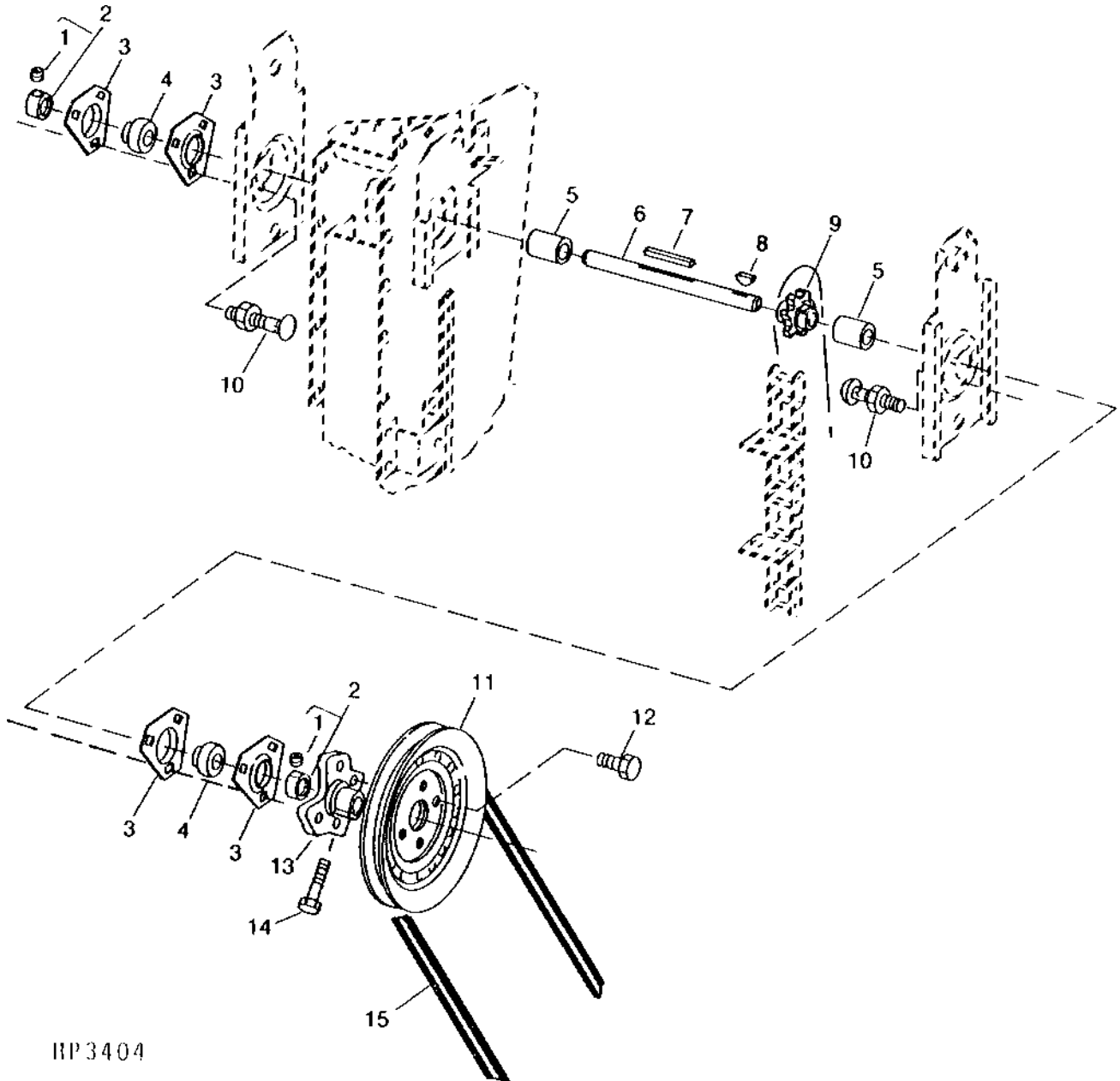
| KEY | PART NO. | PART NAME | QTY | SERIAL NO. | REMARKS |
|-----|----------|------------|-----|------------|--|
| 1 | H134286 | SEAL | 1 | | |
| 2 | H134287 | SEAL | 1 | | |
| 3 | 03M7221 | BOLT | 4 | -670300 | M6 X 16 |
| | 14M7303 | FLANGE NUT | 4 | -670300 | M6 |
| | 03M7221 | BOLT | 2 | | M6 X 16, (TO PLUG HOLES WHEN MOISTURE SENSOR NOT USED) |
| 4 | 11M7081 | COTTER PIN | 1 | | 2.500 X 20 MM |
| 5 | L1526N | PIN | 1 | | 9.474 X 30.963 MM (0.373" X 1-7/32") |
| 6 | AH126354 | YOKE | 1 | -670300 | |
| 7 | 14M7296 | FLANGE NUT | 1 | | M10 |
| 8 | 14M7274 | NUT | 1 | | M10 |
| 9 | AH142180 | ELEVATOR | 1 | -670300 | (SUB FOR AH141824 OR AH134707) |
| | AH142183 | ELEVATOR | 1 | -670300 | (SUB FOR AH141841 OR AH134704) STAINLESS STEEL |
| | AH153743 | ELEVATOR | 1 | 670301- | |
| | AH153744 | ELEVATOR | 1 | 670301- | |
| 10 | 19M7785 | SCREW | 4 | | M10 X 25 |
| | 14M7296 | FLANGE NUT | 4 | | M10 |
| 11 | AH109197 | PIN | 1 | -27MAY7 | |
| | AH156051 | SPRING PIN | 1 | 27MAY7- | |
| 12 | 19M7783 | SCREW | 3 | | M10 X 16 |
| 13 | 03M7186 | BOLT | 2 | | M8 X 30 |
| | 14M7298 | FLANGE NUT | 2 | | M8, (WELDED) |
| 14 | 03M7184 | BOLT | 12 | | M8 X 20 |
| | 14M7298 | FLANGE NUT | 12 | | (WELDED) |
| 15 | AH131831 | DOOR | 1 | -638115 | (SUB AH135562) |
| | AH135562 | DOOR | 1 | -670300 | |
| | PF80001 | DOOR | 1 | -672214 | |
| | PF80104 | DEFLECTOR | 1 | 672215- | |
| 16 | 14M7298 | FLANGE NUT | 4 | | M8 |
| 17 | AH130370 | BRACKET | 2 | | |
| 18A | AH134670 | LEVER | 1 | -670300 | |
| 18B | AH149243 | BRACKET | 1 | | |
| 19 | 24H1710 | WASHER | 2 | | 13/32" X 2" X 0.065" |
| 20 | 19M7865 | SCREW | 2 | | M8 X 16 |

9C3

CLEAN GRAIN ELEVATOR, GRAIN TANK AND UNLOADING AUGER

UPPER CLEAN GRAIN ELEVATOR SHAFT, SPROCKET AND SHEAVE

HP3404 -UN-01JAN94



HP 3404

9C4

CLEAN GRAIN ELEVATOR, GRAIN TANK AND UNLOADING AUGER

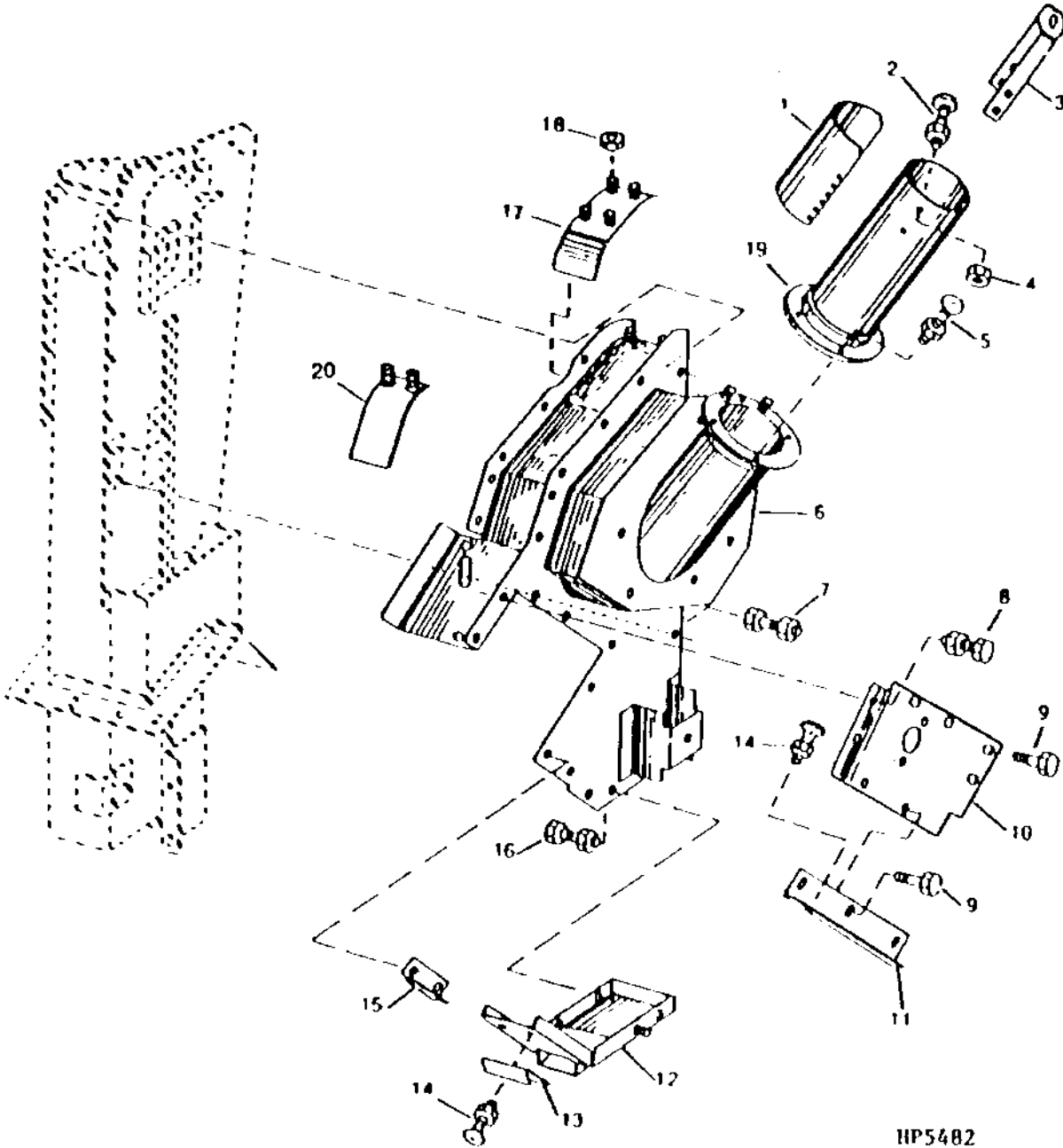
UPPER CLEAN GRAIN ELEVATOR SHAFT, SPROCKET AND SHEAVE - CONTINUED

| KEY | PART NO. | PART NAME | QTY | SERIAL NO. | REMARKS |
|-----|----------|--------------------------|-----|------------|---------------|
| 1 | 22M7080 | SET SCREW | 2 | | |
| 2 | AZ10045 | ECCENTRIC LOCKING COLLAR | 2 | | |
| 3 | E10018 | PRESSED FLANGED HOUSING | 4 | | |
| 4 | JD39103 | BALL BEARING | 2 | | |
| 5 | H128889 | SPACER | 2 | | |
| 6 | H135714 | SHAFT | 1 | | |
| 7 | 49M6480 | SHAFT KEY | 1 | | 8 X 7 X 50 MM |
| 8 | 26M4228 | SHAFT KEY | 1 | | |
| 9 | H128576 | CHAIN SPROCKET | 1 | | 8 TOOTH |
| 10 | 03M7190 | BOLT | 6 | | M10 X 20 |
| | 14M7296 | FLANGE NUT | 6 | | M10 |
| 11 | AH131329 | SHEAVE | 1 | -640300 | |
| | AH135463 | SHEAVE | 1 | 640301- | |
| 12 | 19M7784 | SCREW | 4 | | M10 X 20 |
| 13 | H134760 | HUB | 1 | | |
| 14 | 19M7663 | CAP SCREW | 1 | | M8 X 70 |
| 15 | H135458 | BELT | 1 | -640300 | |
| | H141166 | BELT | 1 | 640301- | |

9C5

CLEAN GRAIN ELEVATOR, GRAIN TANK AND UNLOADING AUGER

UPPER CLEAN GRAIN LOADING AUGER HOUSING
HP5482 -UN-01JAN94



HP5482

9C6

CLEAN GRAIN ELEVATOR, GRAIN TANK AND UNLOADING AUGER

UPPER CLEAN GRAIN LOADING AUGER HOUSING - CONTINUED

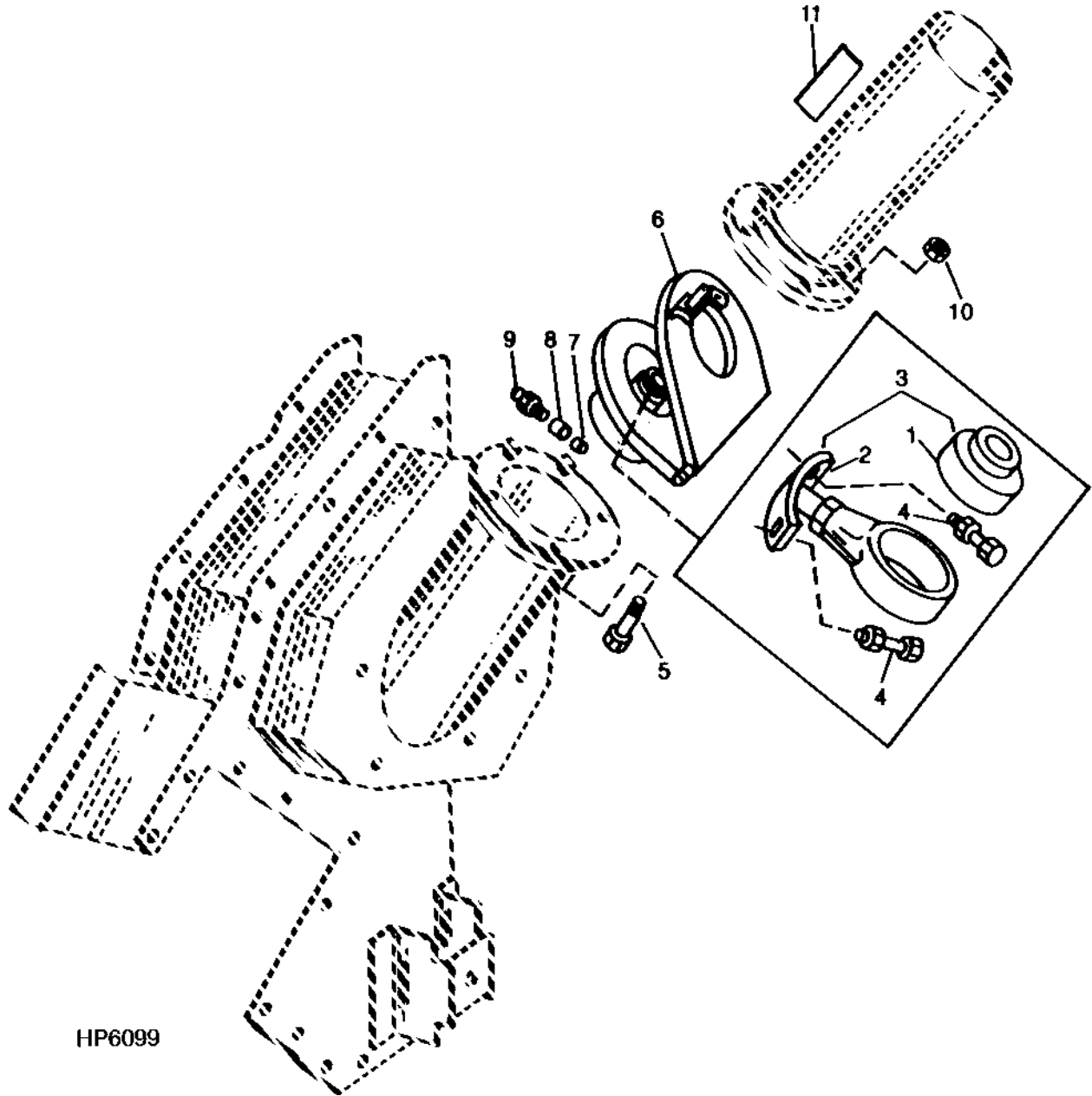
| KEY | PART NO. | PART NAME | QTY | SERIAL NO. | REMARKS |
|-----|----------|-------------|-----|------------|--------------------------------|
| 1 | H136095 | DEFLECTOR | 1 | -640300 | |
| | H141160 | DEFLECTOR | 1 | 640301- | |
| 2 | 03M7193 | BOLT | 4 | | M10 X 35 |
| | 14M7296 | FLANGE NUT | 4 | | M10 |
| 3 | AH135558 | SUPPORT | 1 | | |
| 4 | 14M7296 | FLANGE NUT | 4 | | M10 |
| 5 | 03M7185 | BOLT | 4 | | M8 X 25 |
| | 14M7298 | FLANGE NUT | 4 | | M8 |
| 6 | AH131335 | CHUTE | 1 | -640300 | REGULAR |
| | AH135550 | CHUTE | 1 | -670300 | REGULAR |
| | AH131351 | CHUTE | 1 | | (SUB AH131335) STAINLESS STEEL |
| | AH135551 | CHUTE | 1 | -670300 | STAINLESS STEEL |
| | AH149186 | CHUTE | 1 | | REGULAR STEEL |
| | AH149187 | CHUTE | 1 | | STAINLESS STEEL |
| 7 | 19M7865 | SCREW | 9 | | M8 X 16 |
| | 14M7298 | FLANGE NUT | 9 | | M8 |
| 8 | 19M7866 | SCREW | 2 | | M8 X 20 |
| | 14M7298 | FLANGE NUT | 2 | | M8 |
| 9 | 19M7783 | SCREW | 8 | -657733 | M10 X 16 |
| | 37M7086 | SCREW | 8 | 657734- | M10 X 20 |
| 10 | AH131343 | PANEL | 1 | -640300 | |
| | AH135560 | PANEL | 1 | 640301- | |
| 11 | H140098 | ANGLE | 1 | -640300 | |
| | H141153 | ANGLE | 1 | 640301- | |
| 12 | AH131550 | DUST SHIELD | 1 | | |
| 13 | H135538 | ANGLE | 1 | | |
| 14 | 03M7183 | BOLT | 3 | | M8 X 16 |
| | 14M7298 | FLANGE NUT | 3 | | M8 |
| 15 | H140096 | ANGLE | 1 | | |
| 16 | 19M7865 | SCREW | 3 | | M8 X 16 |
| | 14M7298 | FLANGE NUT | 3 | | M8 |
| 17 | AH132810 | PLATE | 1 | -640300 | |
| | AH135559 | PLATE | 1 | 640301- | |
| 18 | 14M7298 | FLANGE NUT | 4 | | M8 |
| 19 | AH131907 | HOUSING | 1 | -640300 | REGULAR |
| | AH135563 | HOUSING | 1 | 640301- | REGULAR |
| | AH132790 | HOUSING | 1 | -640300 | STAINLESS STEEL |
| | AH135564 | HOUSING | 1 | 640301- | STAINLESS STEEL |
| 20 | AH143357 | KIT | 1 | -660300 | (INCLUDES INSTRUCTION) |
| | AH142629 | HOOD | 1 | 660301- | |

9C7

CLEAN GRAIN ELEVATOR, GRAIN TANK AND UNLOADING AUGER

FOLDING UPPER CLEAN GRAIN LOADING AUGER HOUSING

(660301-)
HP6099 -UN-05JUL95



HP6099

9C8

CLEAN GRAIN ELEVATOR, GRAIN TANK AND UNLOADING AUGER

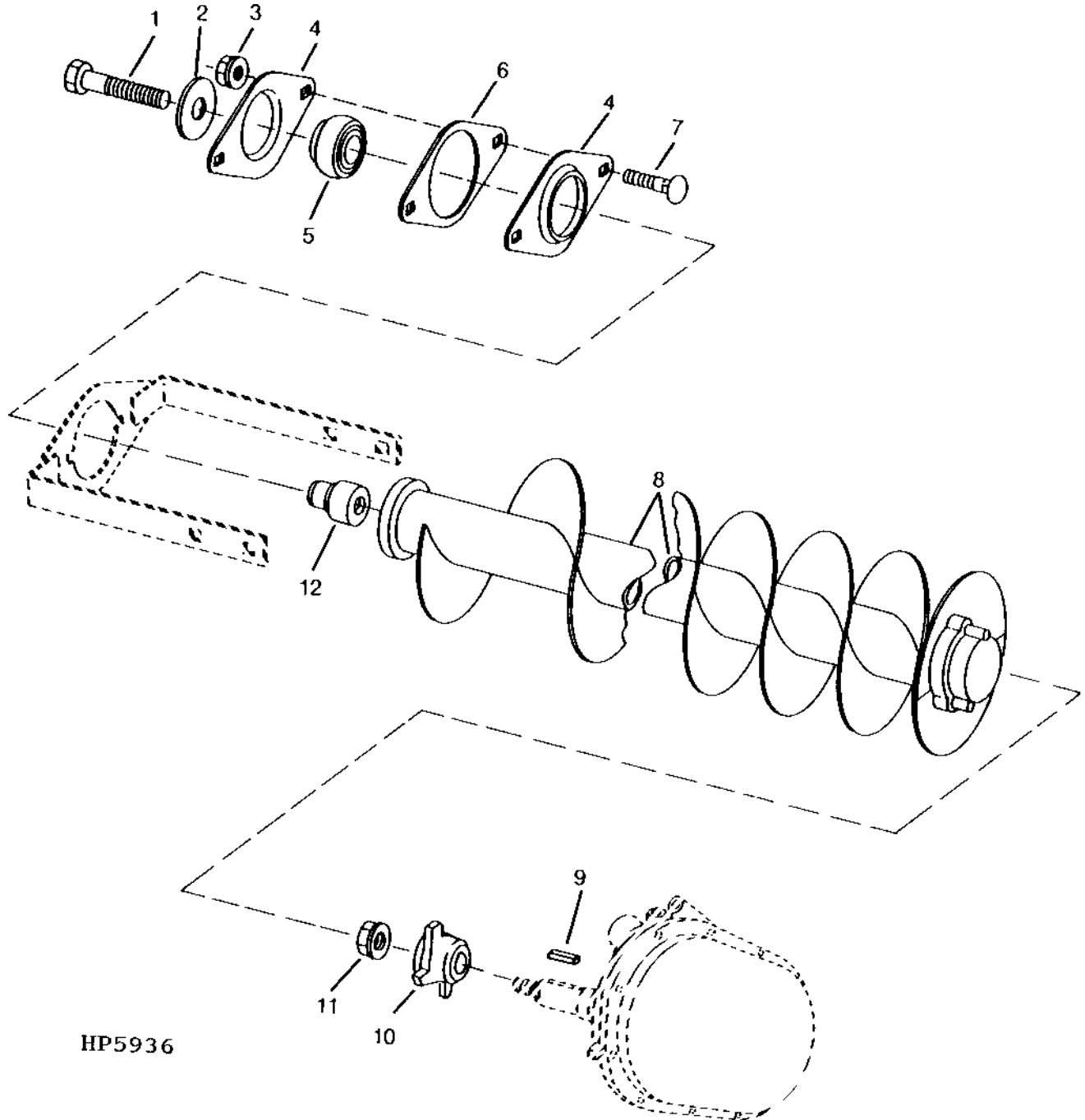
FOLDING UPPER CLEAN GRAIN LOADING AUGER HOUSING - CONTINUED
(660301-)

| KEY | PART NO. | PART NAME | QTY | SERIAL NO. | REMARKS |
|-----|----------------|------------------------------------|----------|------------|---------------------------------|
| 1 | AH146222 | BEARING | 1 | -661261 | (SUB AH146221) |
| 2 | AH146219 | HANGER | 1 | | |
| 3 | AH146221 | BEARING | 1 | | INCLUDES HANGER |
| 4 | 19M7867 | SCREW | 2 | | M8 X 25 |
| | 14M7298 | FLANGE NUT | 2 | | M8 |
| 5 | 03M7185 | BOLT | 4 | | M8 X 25 |
| 6 | AH146217 | HINGE | 1 | | |
| 7 | 29H31 | THREADED NIPPLE | 1 | | |
| 8 | 15H73 | COUPLING | 1 | | |
| 9 | JD7759 | LUBRICATION FITTING | 1 | | |
| 10 | 14M7298 | FLANGE NUT | 4 | | M8 |
| 11 | H151397 | SIGN | 1 | | "CAUTION" FOLDING AUGER |
| .. | BH80338 | COMPLETE GOODS/SHIP. BUNDLE | 1 | | FOLDING GRAIN TANK AUGER |

9C9

CLEAN GRAIN ELEVATOR, GRAIN TANK AND UNLOADING AUGER

CLEAN GRAIN LOADING AUGER
HP5936 -UN-26JUN95



HP5936

9C10

CLEAN GRAIN ELEVATOR, GRAIN TANK AND UNLOADING AUGER

CLEAN GRAIN LOADING AUGER - CONTINUED

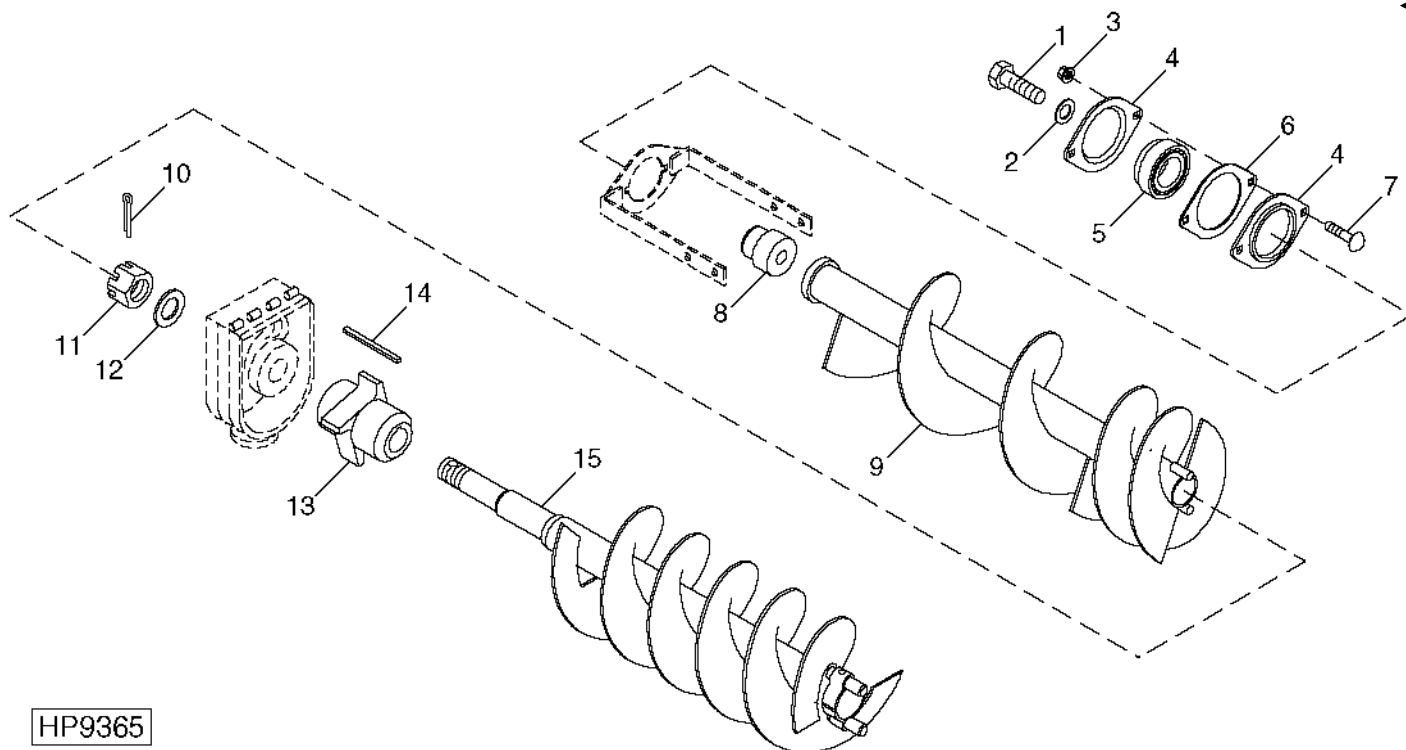
| KEY | PART NO. | PART NAME | QTY | SERIAL NO. | REMARKS |
|-----|----------|-------------------------|-----|---------------|--|
| 1 | 19M7818 | SCREW | 1 | | M12 X 80 |
| 2 | 24M7180 | WASHER | 1 | | 13 X 37 X 3 MM |
| 3 | 14M7296 | FLANGE NUT | 2 | | M10 |
| 4 | N15764 | PRESSED FLANGED HOUSING | 2 | | |
| 5 | JD9219 | BALL BEARING | 1 | | |
| 6 | H137916 | SHIM | 2 | | |
| 7 | 03M7307 | BOLT | 2 | | M10 X 25 |
| 8 | AH135210 | TUBE | 1 | -635474 | (SUB AH136092) |
| | AH136092 | AUGER | 1 | 635475-640300 | |
| | AH136636 | AUGER | 1 | 640301- | |
| 9 | | SHAFT KEY | 1 | -670300 | 6 X 32 MM (IN AH141142 KEY STOCK KIT) (CUT FROM H150268) |
| | 49M4821 | SHAFT KEY | 1 | 670301- | 6 X 32 MM |
| 10 | H136186 | AUGER | 1 | | |
| 11 | 14M7291 | FLANGE NUT | 1 | | M16 |
| 12 | H137919 | BUSHING | 1 | | |

9C11

CLEAN GRAIN ELEVATOR, GRAIN TANK AND UNLOADING AUGER

FOLDING CLEAN GRAIN LOADING AUGER

(660301-)
HP9365 -UN-01DEC99



HP9365

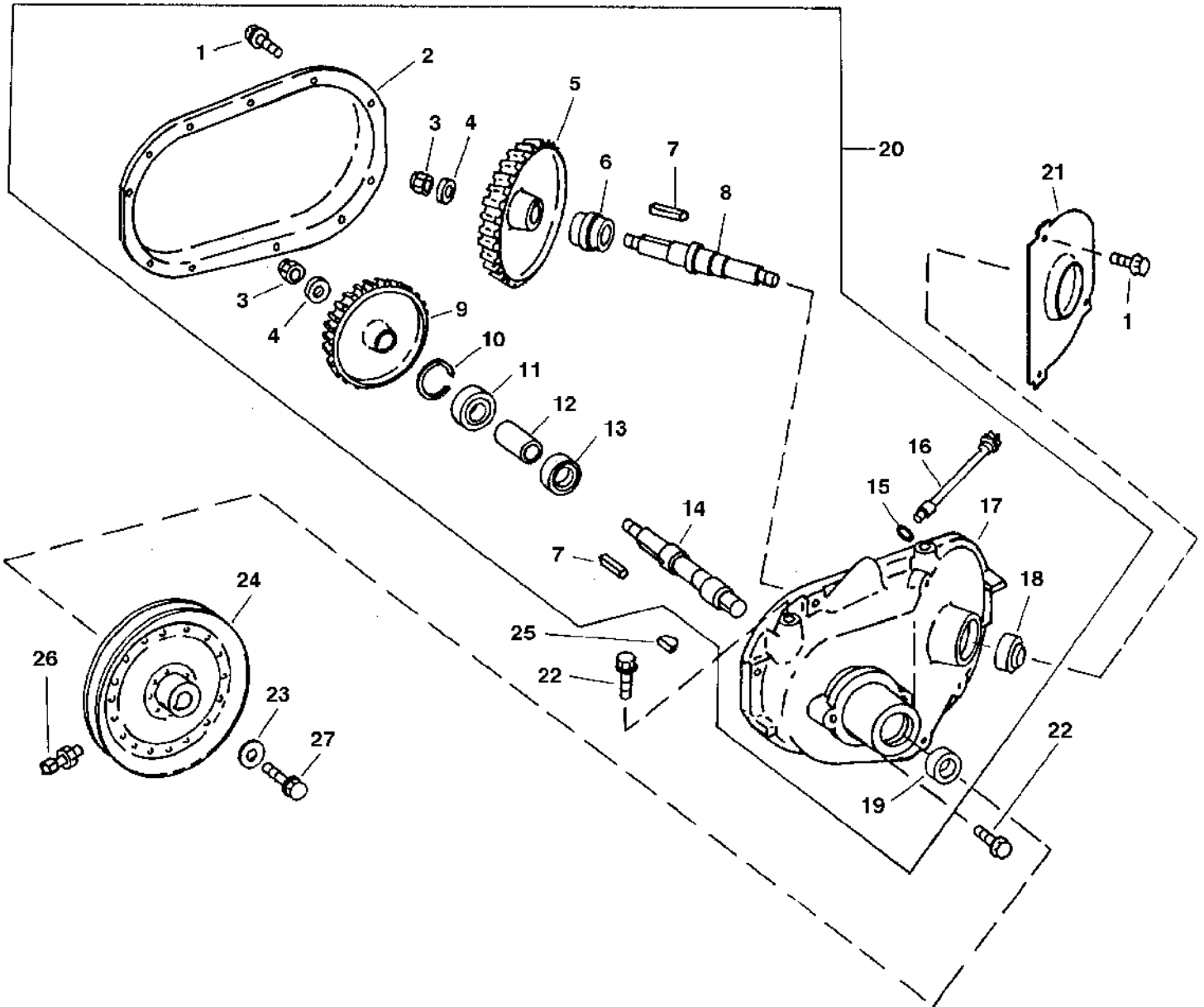
| KEY | PART NO. | PART NAME | QTY | SERIAL NO. | REMARKS |
|-----|----------------|------------------------------------|----------|---|---------|
| 1 | 19M7818 | SCREW | 1 | M12 X 80 | |
| 2 | 24M7180 | WASHER | 1 | 13 X 37 X 3 MM (0.512" X 1.457" X 0.118") | |
| 3 | 14M7296 | FLANGE NUT | 2 | M10 | |
| 4 | N15764 | PRESSED FLANGED HOUSING | 2 | | |
| 5 | JD9219 | BALL BEARING | 1 | | |
| 6 | H137916 | SHIM | 2 | | |
| 7 | 03M7307 | BOLT | 2 | M10 X 25 | |
| 8 | H137919 | BUSHING | 1 | | |
| 9 | AH145553 | FLIGHT | 1 | UPPER | |
| 10 | 11M7087 | COTTER PIN | 1 | 4 X 40 MM (0.157" X 1.575") | |
| 11 | 14M7205 | NUT | 1 | M24 | |
| 12 | 24M7091 | WASHER | 1 | 26 X 44 X 4 MM (1.024" X 1.732" X 0.157") | |
| 13 | H136186 | AUGER | 1 | DRIVER | |
| 14 | 49M4821 | SHAFT KEY | 1 | | |
| 15 | AH146215 | AUGER | 1 | LOWER | |
| .. | BH80338 | COMPLETE GOODS/SHIP. BUNDLE | 1 | FOLDING GRAIN TANK AUGER | |

MEMORANDA

9C12

CLEAN GRAIN ELEVATOR, GRAIN TANK AND UNLOADING AUGER

CLEAN GRAIN ELEVATOR GEARCASE AND SHEAVE
HP6913 -UN-18AUG97



HP6913

9C13

CLEAN GRAIN ELEVATOR, GRAIN TANK AND UNLOADING AUGER

CLEAN GRAIN ELEVATOR GEARCASE AND SHEAVE - CONTINUED

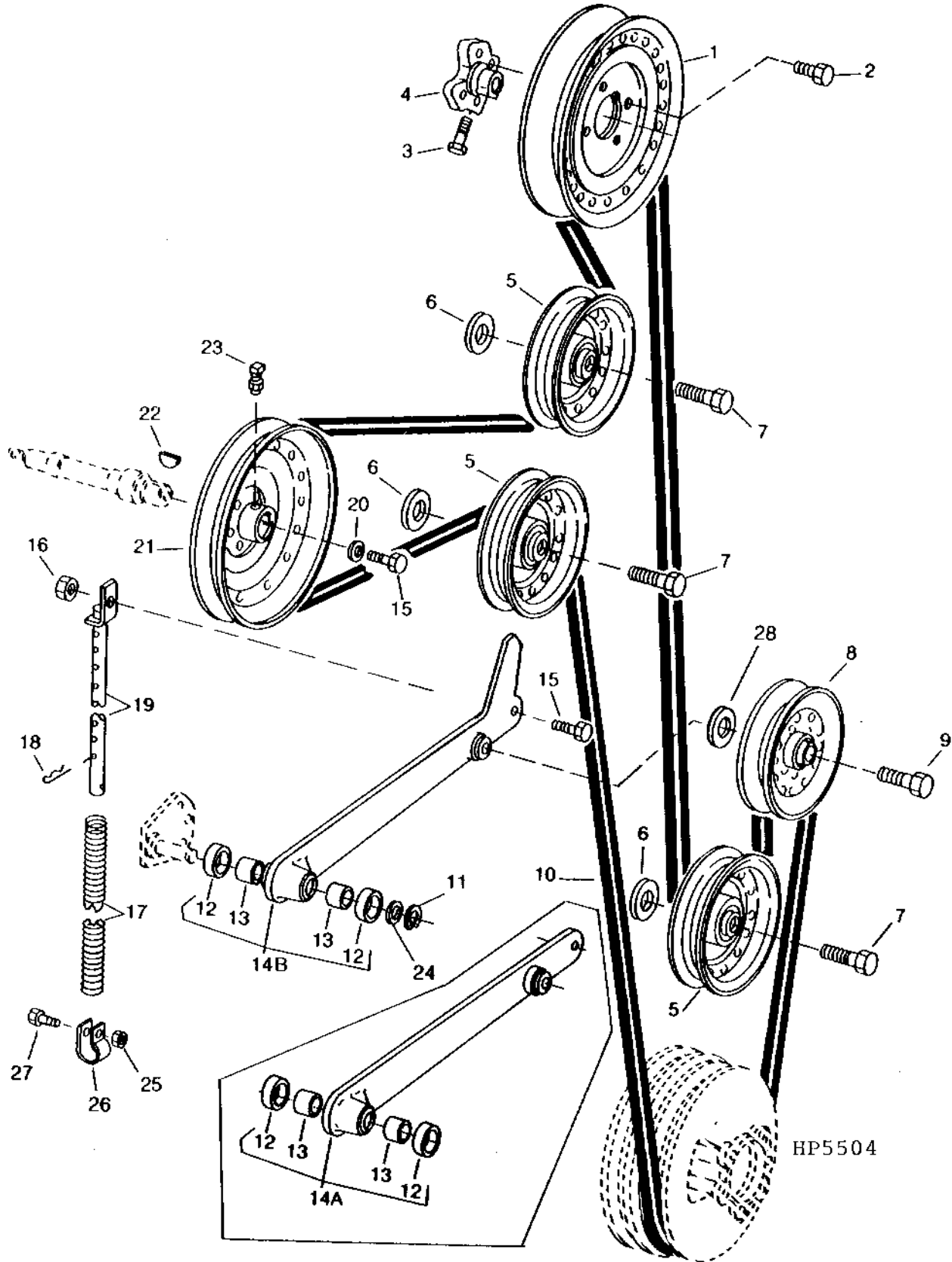
| KEY | PART NO. | PART NAME | QTY | SERIAL NO. | REMARKS |
|-----|----------|--------------|-----|------------|--|
| 1 | 19M7866 | SCREW | 14 | -642081 | M8 X 20 |
| | 19M7866 | SCREW | 3 | 642082- | M8 X 20 |
| | 19M7407 | CAP SCREW | 11 | 642082- | M8 X 25 |
| | 24H1685 | WASHER | 11 | 642082- | 8.738 X 18.644 X 2.108 MM |
| 2 | H135454 | COVER | 1 | | |
| 3 | W39621 | NUT | 2 | | M16 |
| 4 | 24H1825 | WASHER | 2 | | 11/16" X 1-1/2" X 0.194" |
| 5 | H145316 | BEVEL GEAR | 1 | | |
| 6 | AE42998 | BALL BEARING | 1 | 665560- | |
| 7 | 49M4821 | SHAFT KEY | 2 | | 6 X 6 X 32 MM |
| 8 | H136209 | SHAFT | 1 | | |
| 9 | H135287 | GEAR | 1 | -642081 | (SUB H145317) |
| | H145317 | BEVEL GEAR | 1 | | |
| 10 | P46874 | SNAP RING | 1 | | |
| 11 | JD7689 | BALL BEARING | 1 | | |
| 12 | 28H3054 | BUSHING | 1 | | 32.461 X 42.164 X 62.713 MM (1.278" X 1.660" X 2-15/32") |
| 13 | JD7681 | BALL BEARING | 1 | | |
| 14 | H135452 | SHAFT | 1 | | (USE WITH AH140127) |
| | H170967 | SHAFT | 1 | | (USE WITH DE19111) |
| 15 | R26375 | O-RING | 1 | | 16.358 X 2.210 MM (0.644" X 0.087") |
| 16 | AH134598 | DIPSTICK | 1 | | |
| 17 | H135453 | GEAR CASE | 1 | | |
| 18 | AH131860 | SEAL | 1 | | |
| 19 | AH21815 | SEAL | 1 | | |
| 20 | AH140127 | GEAR CASE | 1 | | (SUB DE19111) (ALSO ORDER AH164868, 26M7008 AND H170967) |
| | DE19111 | GEAR CASE | 1 | | |
| 21 | H137606 | PLATE | 1 | | |
| 22 | 19M7789 | SCREW | 4 | | M12 X 30 |
| 23 | 24M7101 | WASHER | 1 | -668230 | 11 X 34 X 3 MM |
| | 24H1351 | WASHER | 1 | 668231- | 14.275 X 38.100 X 4.166 MM |
| 24 | AH75985 | SHEAVE | 1 | | 9-INCH |
| | AH132372 | SHEAVE | 1 | | (USE WITH AH140127) 11-INCH |
| | AH164868 | SHEAVE | 1 | | (USE WITH DE19111) |
| 25 | 26H85 | SHAFT KEY | 1 | | 1/4" X 1", (USE WITH AH140127) (SUB FOR 26H22) |
| | 26M7008 | SHAFT KEY | 1 | | 8 X 28 MM, (USE WITH DE19111) |
| 26 | 22H836 | SET SCREW | 2 | | 3/8" X 1" |
| | 14H732 | NUT | 2 | | 3/8" |
| 27 | 19M7786 | SCREW | 1 | | M10 X 30 |
| .. | TY15130 | SEALANT | 1 | | (03 OZ. TUBE) (CANADA PART NO TY9484) |

9C14

CLEAN GRAIN ELEVATOR, GRAIN TANK AND UNLOADING AUGER

CLEAN GRAIN ELEVATOR DRIVE TIGHTENER AND IDLER

HP5504 -UN-01JAN94



9C15

CLEAN GRAIN ELEVATOR, GRAIN TANK AND UNLOADING AUGER

CLEAN GRAIN ELEVATOR DRIVE TIGHTENER AND IDLER - CONTINUED

| KEY | PART NO. | PART NAME | QTY | SERIAL NO. | REMARKS |
|-----|----------|--------------------|-----|------------|-----------------------------------|
| 1 | AH131329 | SHEAVE | 1 | -640300 | |
| | AH135463 | SHEAVE | 1 | 640301- | |
| 2 | 19M7784 | SCREW | 4 | | M10 X 20 |
| 3 | 19M7663 | CAP SCREW | 1 | | M8 X 70 |
| 4 | H134760 | HUB | 1 | | |
| 5 | AH94450 | IDLER | 3 | | |
| 6 | 24M7053 | WASHER | 3 | | 17 X 30 X 3 MM |
| 7 | 19M7824 | SCREW | 3 | | M16 X 60 |
| 8 | AN15237 | IDLER | 1 | | |
| 9 | 19M7844 | SCREW | 1 | | M16 X 45 |
| 10 | H135458 | BELT | 1 | -640300 | |
| | H141166 | BELT | 1 | 640301- | |
| 11 | P46402 | SNAP RING | 1 | | |
| 12 | AA5607R | SEAL | 2 | | |
| 13 | H99147 | BUSHING | 2 | | (SUB H171061) |
| | H171061 | BEARING | 2 | | |
| 14A | AH126052 | ARM | 1 | -640300 | |
| 14B | AH135579 | ARM | 1 | 640301- | |
| 15 | 19M7786 | SCREW | 2 | | M10 X 30 |
| 16 | 14M7337 | NUT | 1 | -656691 | M10 |
| | 14M7517 | LOCK NUT | 1 | | M10 |
| 17 | H129049 | SPRING | 1 | | |
| 18 | A3581R | SPRING LOCKING PIN | 1 | | |
| 19 | AH124502 | RETAINER | 1 | | |
| 20 | 24M7101 | WASHER | 1 | -15AU96 | 11 X 34 X 3 MM, (SUB FOR 24H1730) |
| | 24H1351 | WASHER | 1 | 15AU96- | 14.275 X 38.100 X 4.166 MM |
| 21 | AH75985 | SHEAVE | 1 | -655339 | GEARCASE, 9-INCH |
| | AH132372 | SHEAVE | 1 | 655340- | GEARCASE, 11-INCH |
| 22 | 26H22 | SHAFT KEY | 1 | | 1/4" X 1" |
| 23 | 22H836 | SET SCREW | 2 | | 3/8" X 1" |
| | 14H732 | NUT | 2 | | 3/8" |
| 24 | 24M7091 | WASHER | 1 | | 26 X 44 X 4 MM |
| 25 | 14M7303 | FLANGE NUT | 1 | | M6 |
| 26 | H132088 | CLAMP | 1 | | |
| 27 | 19M8321 | SCREW | 1 | | M6 X 45 |
| 28 | 24H1373 | WASHER | 2 | | 21/32" X 1-9/16" X 0.180" |

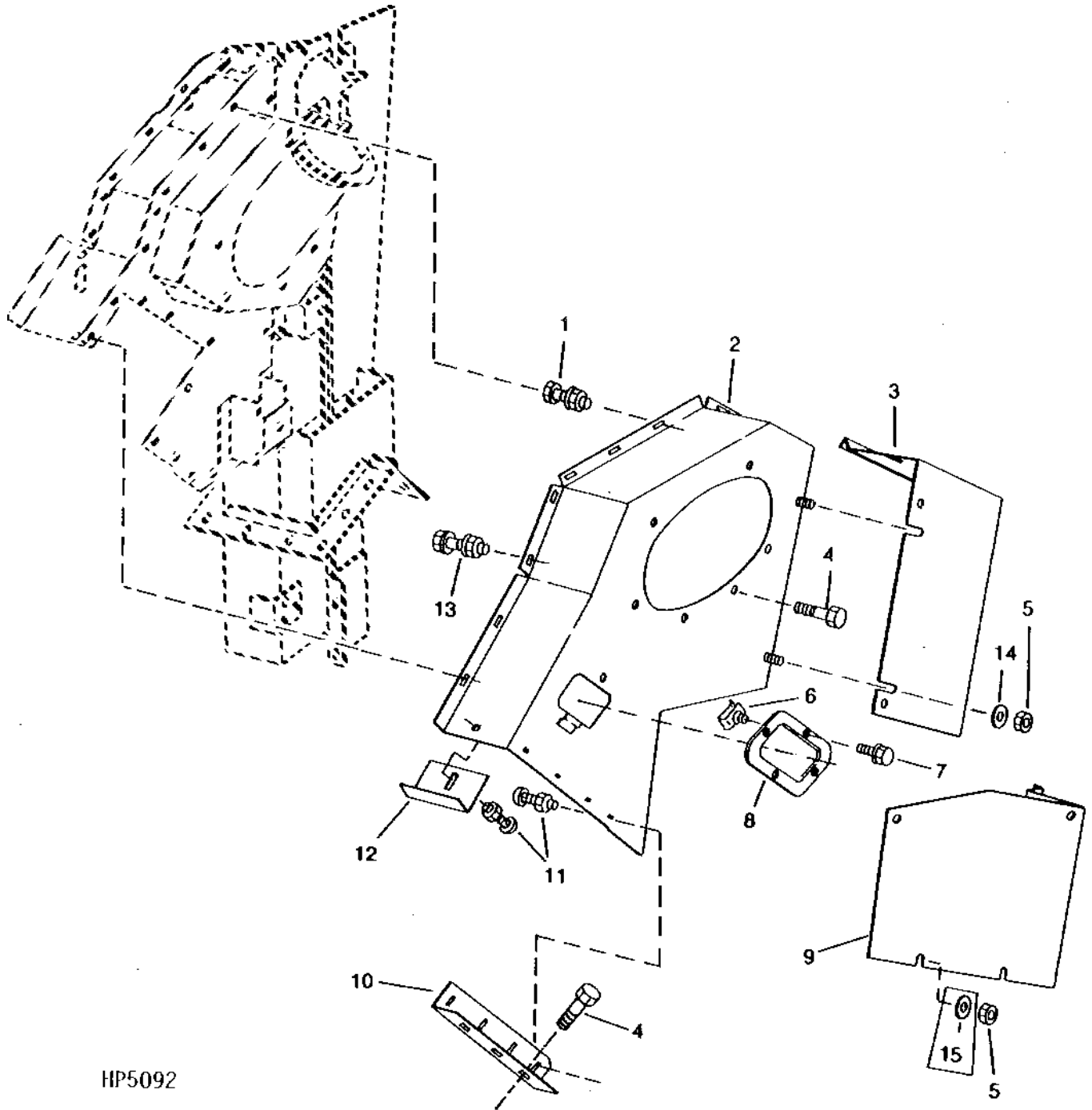
9C16

CLEAN GRAIN ELEVATOR, GRAIN TANK AND UNLOADING AUGER

UPPER CLEAN GRAIN ELEVATOR SHIELDS

(-640603)

HP5092 -UN-01JAN94



HP5092

9C17

CLEAN GRAIN ELEVATOR, GRAIN TANK AND UNLOADING AUGER

UPPER CLEAN GRAIN ELEVATOR SHIELDS - CONTINUED

(-640603)

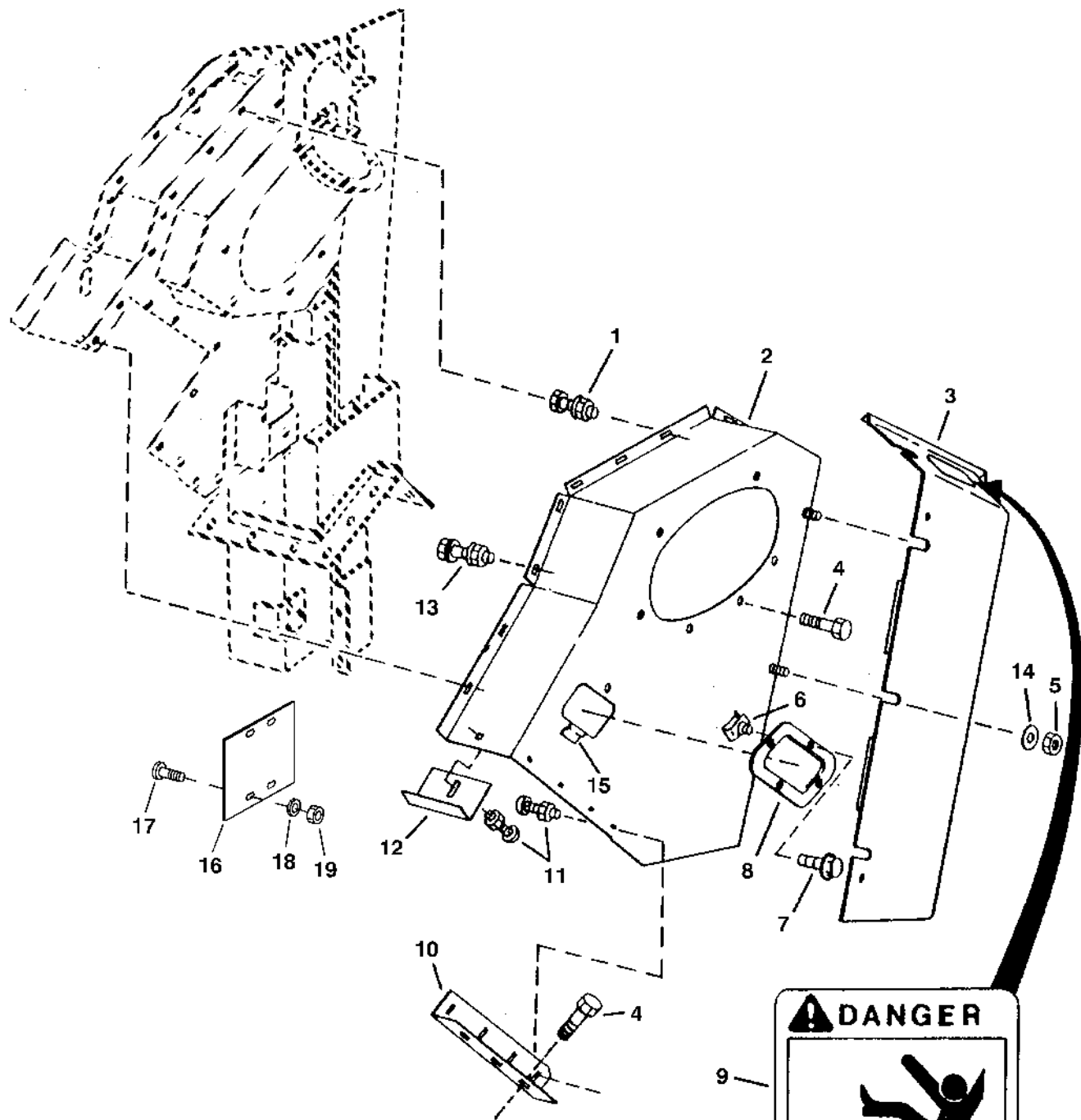
| KEY | PART NO. | PART NAME | QTY | SERIAL NO. | REMARKS |
|-----|----------|-------------|-----|------------|----------------------|
| 1 | 19M7865 | SCREW | 5 | 640604- | M8 X 16 |
| | 14M7298 | FLANGE NUT | 5 | | M8 |
| 2 | AH131345 | DUST SHIELD | 1 | -640603 | |
| | AH135561 | SHIELD | 1 | 640604- | |
| 3 | AH131238 | DUST SHIELD | 1 | -640603 | |
| 4 | 03M7183 | BOLT | 9 | | M8 X 16 |
| | 14M7298 | FLANGE NUT | 9 | | M8 |
| 5 | 14M7020 | WING NUT | 5 | | M8 |
| 6 | M84972 | NUT | 1 | | |
| 7 | 19M7774 | SCREW | 1 | | M6 X 12 |
| 8 | H89569 | DOOR | 1 | | |
| 9 | H135588 | DUST SHIELD | 1 | -640603 | |
| 10 | H139970 | ANGLE | 1 | -640603 | |
| 11 | 03M7183 | BOLT | 5 | | M8 X 16 |
| | 14M7298 | FLANGE NUT | 5 | | M8 |
| 12 | H135590 | ANGLE | 1 | | |
| 13 | 19M7866 | SCREW | 2 | | M8 X 20 |
| | 14M7298 | FLANGE NUT | 2 | | M8 |
| 14 | 24H1297 | WASHER | 2 | -640603 | 11/32" X 2" X 0.065" |
| | 24H1297 | WASHER | 3 | 640604- | 11/32" X 2" X 0.065" |
| 15 | 24M7207 | WASHER | 2 | -640603 | 8.400 X 24 X 2 MM |

9C18

CLEAN GRAIN ELEVATOR, GRAIN TANK AND UNLOADING AUGER

UPPER CLEAN GRAIN ELEVATOR SHIELDS

(640604-)
HP6654 -UN-07MAR97



HP6654

9C19

CLEAN GRAIN ELEVATOR, GRAIN TANK AND UNLOADING AUGER

UPPER CLEAN GRAIN ELEVATOR SHIELDS - CONTINUED

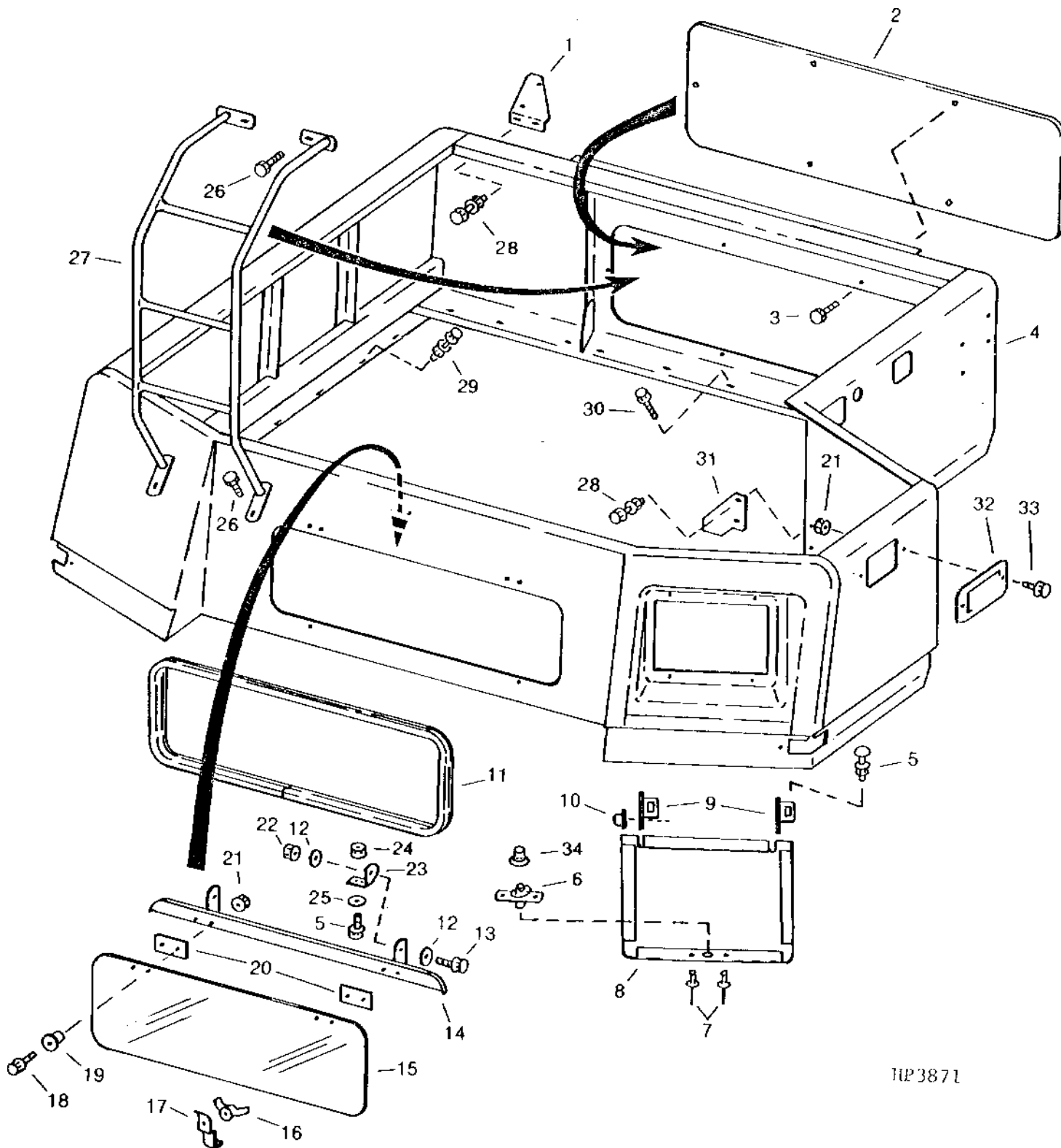
(640604-)

| KEY | PART NO. | PART NAME | QTY | SERIAL NO. | REMARKS |
|-----|----------|------------|-----|------------|----------------------------------|
| 1 | 19M7865 | SCREW | 5 | | M8 X 16 |
| | 14M7298 | FLANGE NUT | 5 | | M8 |
| 2 | AH137258 | SHIELD | 1 | | |
| 3 | AH137256 | SHIELD | 1 | | |
| 4 | 03M7183 | BOLT | 9 | | M8 X 16 |
| | 14M7298 | FLANGE NUT | 9 | | M8 |
| 5 | 14M7020 | WING NUT | 5 | | M8 |
| 6 | M84972 | NUT | 1 | | |
| 7 | 19M7774 | SCREW | 1 | | M6 X 12 |
| 8 | H89569 | DOOR | 1 | | |
| 9 | H133638 | LABEL | 1 | -660300 | (SUB H149062) |
| | H149062 | DECAL | 1 | | "DANGER" ON GRAIN TANK EXTENSION |
| 10 | H141154 | ANGLE | 1 | | |
| 11 | 03M7183 | BOLT | 5 | | M8 X 16 |
| | 14M7298 | FLANGE NUT | 5 | | M8 |
| 12 | H135590 | ANGLE | 1 | | |
| 13 | 19M7866 | SCREW | 2 | | M8 X 20 |
| | 14M7298 | FLANGE NUT | 2 | | M8 |
| | 24M7207 | WASHER | 2 | 670301- | 8.400 X 24 X 2 MM |
| 14 | 24H1297 | WASHER | 3 | | 11/32" X 2" X 0.065" |
| 15 | H82060 | CLIP | 1 | | |
| 16 | PF10025 | PLATE | 1 | 670301- | |
| 17 | 03M7190 | BOLT | 2 | 670301- | M10 X 20 |
| 18 | 24M7228 | WASHER | 2 | 670301- | 15 X 21 X 1.300 MM |
| 19 | 14M7296 | FLANGE NUT | 2 | 670301- | M10 |

9C20

CLEAN GRAIN ELEVATOR, GRAIN TANK AND UNLOADING AUGER

GRAIN TANK TOP
HP3871 -UN-01JAN94



HP3871

9C21

CLEAN GRAIN ELEVATOR, GRAIN TANK AND UNLOADING AUGER

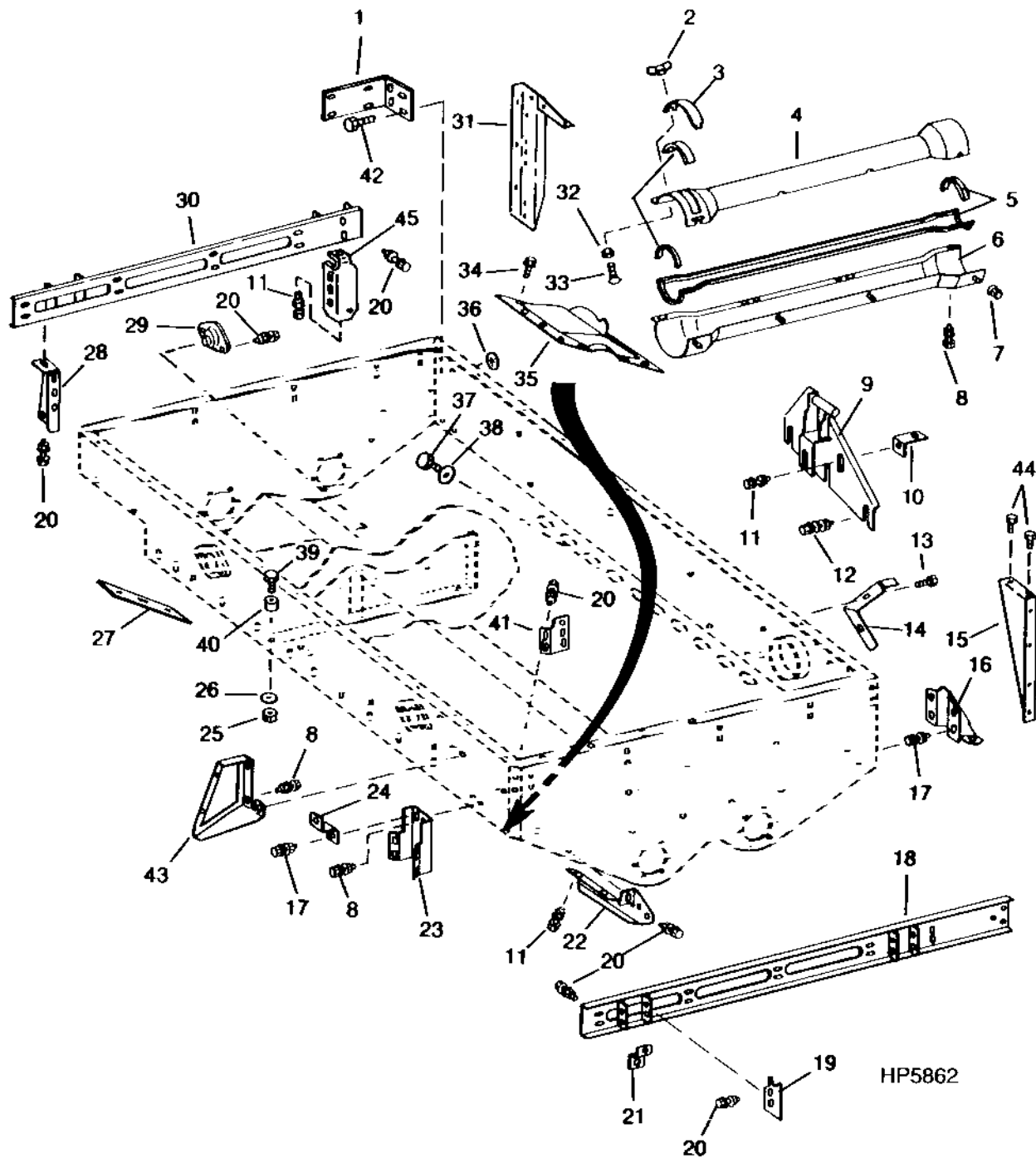
GRAIN TANK TOP - CONTINUED

| KEY | PART NO. | PART NAME | QTY | SERIAL NO. | REMARKS |
|-----|----------|---------------|-----|--|---------|
| 1 | H133584 | BRACKET | 1 | | |
| 2 | H127638 | PANEL | 1 | | |
| 3 | 19M7865 | SCREW | 6 | M8 X 16 | |
| 4 | AH158115 | TANK | 1 | (SUB FOR AH125262, AH136560, AH134767, AH151887) | |
| 5 | 03M7183 | BOLT | 6 | M8 X 16 | |
| | 14M7298 | FLANGE NUT | 2 | M8 | |
| 6 | AH125644 | LATCH | 1 | | |
| 7 | H64584 | RIVET | 2 | | |
| 8 | AH122507 | DOOR | 1 | | |
| 9 | H132024 | HINGE | 2 | | |
| 10 | H120499 | NUT | 2 | | |
| 11 | AH80335 | WEATHERSTRIP | AR | | |
| 12 | 24H1290 | WASHER | 4 | 21/64" X 3/4" X 0.035" | |
| 13 | 19M7866 | SCREW | 2 | M8 X 20 | |
| 14 | AH126619 | REINFORCEMENT | 1 | | |
| 15 | H131675 | WINDOWPANE | 1 | | |
| 16 | 14M7019 | WING NUT | 2 | M6 | |
| 17 | H131674 | LATCH | 2 | | |
| 18 | 19M7862 | SCREW | 4 | M6 X 20 | |
| 19 | R50642 | WASHER | 4 | 6.730 X 9.910 X 9 MM (0.265" X 0.390" X 0.354") | |
| 20 | H131673 | GASKET | 2 | | |
| 21 | 14M7303 | FLANGE NUT | 8 | M6 | |
| 22 | 14M7396 | LOCK NUT | 2 | M8 | |
| 23 | H132542 | ANGLE | 2 | | |
| 24 | 14M7298 | FLANGE NUT | 4 | M8 | |
| 25 | M84309 | NUT | 4 | 7.925 MM (5/16") (SUB FOR H131531) | |
| 26 | 19M7866 | SCREW | 4 | M8 X 20 M8 | |
| 27 | AH154920 | LADDER | 1 | (SUB FOR AH128554) (SUB AH160622) | |
| | AH160622 | LADDER | 1 | | |
| 28 | 19M7866 | SCREW | 5 | M8 X 20 | |
| | 14M7298 | FLANGE NUT | 5 | M8 | |
| 29 | 19M7865 | SCREW | 13 | M8 X 16 | |
| | 14M7298 | FLANGE NUT | 15 | M8 | |
| 30 | 37M7058 | SCREW | 19 | M8 X 20 | |
| 31 | H130262 | PANEL | 1 | ROLLING THREAD | |
| 32 | H132666 | PLATE | 2 | | |
| 33 | 19M7774 | SCREW | 4 | M6 X 12, USED ONLY WITHOUT ROW LIGHTS | |
| 34 | H121391 | KNOB | 1 | | |

9C22

CLEAN GRAIN ELEVATOR, GRAIN TANK AND UNLOADING AUGER

GRAIN TANK BASE
HP5862 -UN-14OCT94



9C23

CLEAN GRAIN ELEVATOR, GRAIN TANK AND UNLOADING AUGER

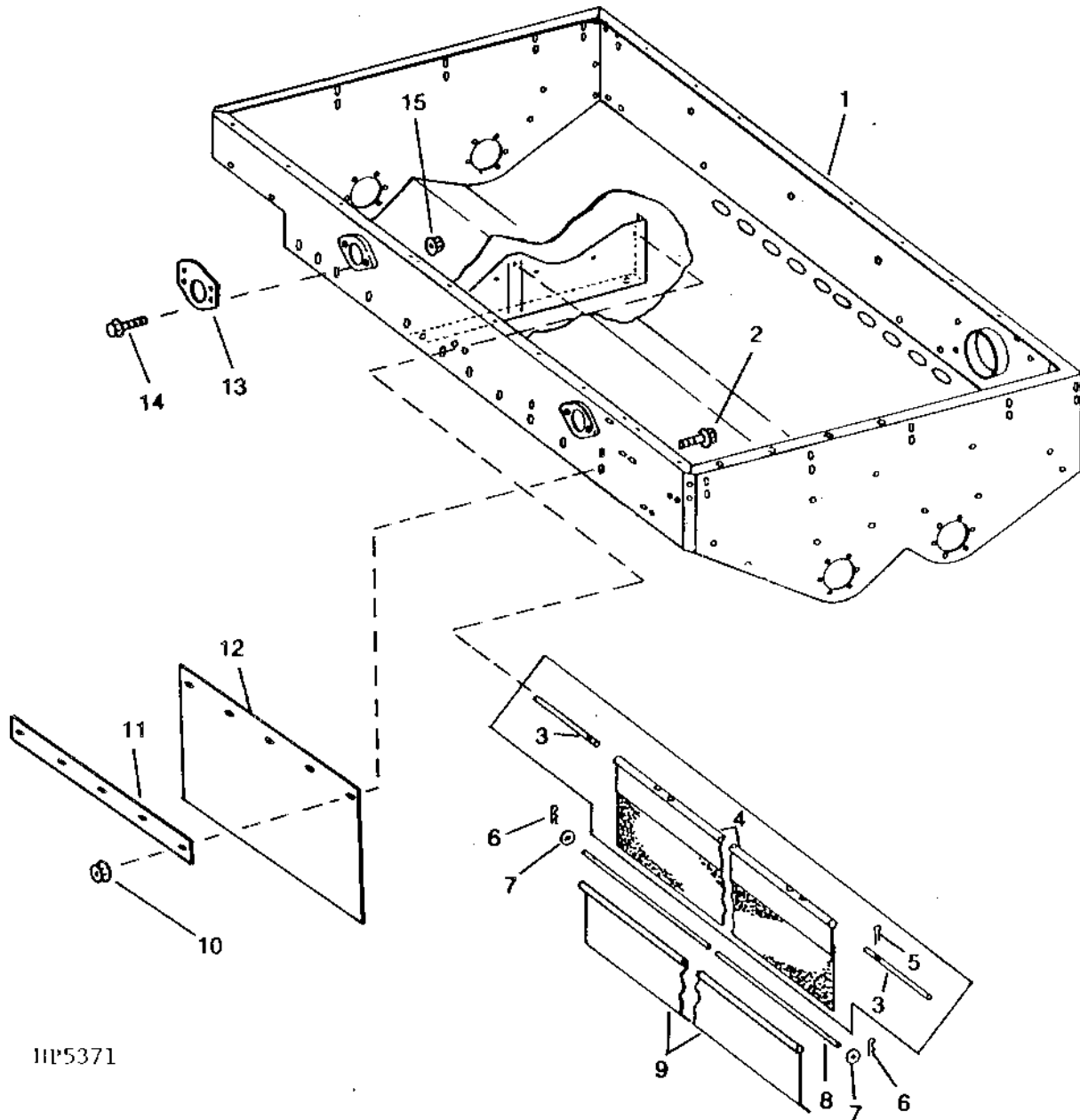
GRAIN TANK BASE - CONTINUED

| KEY | PART NO. | PART NAME | QTY | SERIAL NO. | REMARKS |
|-----|----------|--------------------|-----|----------------|--|
| 1 | H129885 | ANGLE | 1 | | |
| 2 | 14M7020 | WING NUT | 1 | M8 | |
| 3 | H131264 | COVER | 1 | | |
| 4 | H131230 | HOUSING | 1 | | UPPER |
| 5 | H81330 | ISOLATOR | AR | | (CUT FROM H81330) (APPROX. 16 FT.) |
| 6 | AH126279 | DUST SHIELD | 1 | | LOWER |
| 7 | 14M7298 | FLANGE NUT | 4 | M8 | |
| 8 | 19M7865 | SCREW | 8 | M8 X 16 | |
| | 14M7298 | FLANGE NUT | 8 | M8 | |
| 9 | AH128037 | BRACKET | 1 | | |
| 10 | H132662 | BRACKET | 1 | | |
| 11 | 19M7788 | SCREW | 6 | M12 X 25 | |
| | 14M7299 | FLANGE NUT | 6 | M12 | |
| 12 | 19M7788 | SCREW | 5 | M12 X 25 | |
| | 24M7180 | WASHER | 5 | 13 X 37 X 3 MM | |
| | 14M7299 | FLANGE NUT | 5 | M12 | |
| 13 | 37M7083 | SCREW | 2 | | |
| 14 | H131227 | DEFLECTOR | 1 | | |
| 15 | H133828 | SUPPORT | 1 | -645566 | (SUB H147299) |
| | H147299 | SUPPORT | 1 | | |
| 16 | H129588 | BRACKET | 1 | | |
| 17 | 19M7866 | SCREW | 5 | M8 X 20 | |
| | 14M7298 | FLANGE NUT | 5 | M8 | |
| 18 | AH166714 | CHANNEL | 1 | | (SUB FOR AH125478) LEFT-HAND |
| 19 | H125537 | PLATE | 4 | | |
| 20 | 19M7784 | SCREW | 37 | M10 X 20 | |
| | 14M7296 | FLANGE NUT | 37 | M10 | |
| 21 | H131628 | BRACKET | 1 | | |
| 22 | H127677 | BRACKET | 1 | | LEFT-HAND |
| 23 | H136541 | HOSE SUPPORT | 1 | | |
| 24 | H132538 | HOSE SUPPORT | 1 | | |
| 25 | 14M7299 | FLANGE NUT | 4 | M12 | |
| 26 | 24M7240 | WASHER | 4 | 13 X 25 X 3 MM | |
| 27 | H139972 | PLATE | 1 | | |
| 28 | H129833 | BRACKET | 2 | -640300 | (SUB H139056) |
| | H139056 | BRACKET | 2 | | |
| 29 | AH108299 | RUBBER MOUNT | 2 | | CAB ISOLATION |
| 30 | AH166713 | CHANNEL | 1 | | (SUB FOR AH125306) RIGHT-HAND |
| 31 | AH130198 | SUPPORT | 1 | | |
| 32 | H131531 | NUT | 2 | -652206 | (SUB M84309) |
| | M84309 | NUT | 1 | | |
| 33 | 03M7184 | BOLT | 1 | | M8 X 20 |
| 34 | 37M7087 | SCREW | 2 | -657522 | M10 X 25 |
| | H145773 | SELF-LOCKING SCREW | 2 | 657523- | M10 X 35 |
| 35 | AH126275 | HOUSING | 1 | | |
| 36 | H141123 | NUT | 5 | | 10 MM |
| 37 | 37M7080 | SCREW | 5 | | M10 X 30 |
| 38 | 24H1347 | WASHER | 5 | | 17/32" X 2" X 0.194" |
| 39 | 19M8112 | SCREW | 4 | | M12 X 55 |
| 40 | N61709 | BUSHING | 4 | | 13.487 X 25.400 X 18.110 MM (17/32" X 1" X 0.713") |
| 41 | AH125814 | SUPPORT | 1 | | |
| 42 | 19M7785 | SCREW | 5 | | M10 X 25 |
| 43 | H130363 | BRACKET | 1 | | |
| 44 | 19M7788 | SCREW | 2 | | M12 X 25 |
| 45 | H129833 | BRACKET | 1 | | |

9C24

CLEAN GRAIN ELEVATOR, GRAIN TANK AND UNLOADING AUGER

GRAIN TANK AND CURTAINS
HP5371 -UN-01JAN94



HP5371

9C25

CLEAN GRAIN ELEVATOR, GRAIN TANK AND UNLOADING AUGER

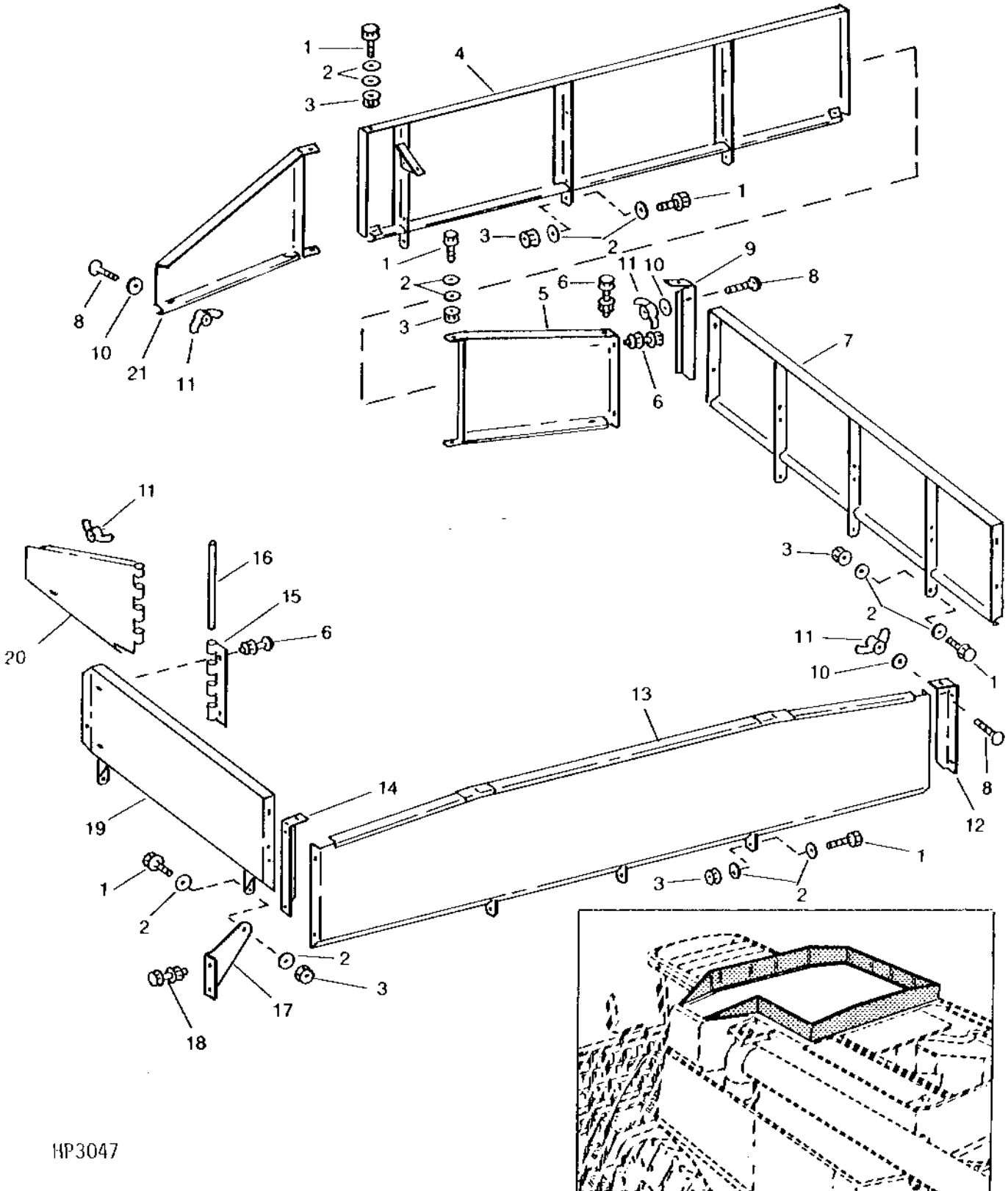
GRAIN TANK AND CURTAINS - CONTINUED

| KEY | PART NO. | PART NAME | QTY | SERIAL NO. | REMARKS |
|-----|----------|--------------------|-----|---------------|--|
| 1 | AH125950 | TANK | 1 | -631378 | (SUB AH134602) |
| | AH134602 | TANK | 1 | -640300 | |
| | AH135291 | TANK | 1 | 640301-650300 | (SUB AH141640) |
| | AH141640 | TANK | 1 | -29SEP7 | |
| | AH158107 | TANK | 1 | 29SEP7- | (ORDER AH158106) |
| | AH157724 | TANK | 1 | -29SEP7 | |
| | AH158106 | TANK | 1 | 29SEP7- | |
| 2 | 19M7785 | SCREW | 5 | 650301-29SEP7 | M10 X 25 |
| | 03M7193 | BOLT | 6 | 29SEP7- | M10 X 35 |
| 3 | H131865 | PIN | 1 | -640300 | 12 X 211 MM (0.472" X 8.307") |
| 4 | AH125390 | LIMIT CURTAIN | 1 | -640300 | |
| 5 | 11M7059 | COTTER PIN | 2 | -640300 | 3.200 X 20 MM |
| 6 | A15147 | SPRING LOCKING PIN | 2 | 640681- | |
| 7 | T20217 | WASHER | 2 | 640681- | 12.954 X 43.942 X 6.350 MM |
| 8 | H144824 | PIPE | 1 | 640301-667211 | (USE WITH H144822) |
| | H100211 | PIN | 1 | 640301- | 9.525 X 1 702.308 MM (3/8" X 67.020") (USE WITH H145515) |
| | H157281 | PIPE | 1 | 667212- | (USE WITH H144822) |
| 9 | H144822 | LIMIT CURTAIN | 1 | 640301- | RUBBER (CORN AND GRAIN) |
| 10 | 14M7400 | LOCK NUT | 1 | 650301- | M10 |
| 11 | H148114 | PLATE | 1 | 650301-29SEP7 | |
| 12 | H148055 | LIMIT CURTAIN | 1 | 650301-29SEP7 | |
| 13 | H148518 | PLATE | 2 | 650301- | |
| 14 | 19M7788 | SCREW | 4 | | M12 X 25 |
| 15 | 14M7299 | FLANGE NUT | 4 | | M12 |
| .. | AH168093 | KIT | 1 | | STAINLESS STEEL TROUGH LINER |

9D1

CLEAN GRAIN ELEVATOR, GRAIN TANK AND UNLOADING AUGER

GRAIN TANK EXTENSIONS
HP3047 -UN-01JAN94



HP3047

9D2

CLEAN GRAIN ELEVATOR, GRAIN TANK AND UNLOADING AUGER

GRAIN TANK EXTENSIONS - CONTINUED

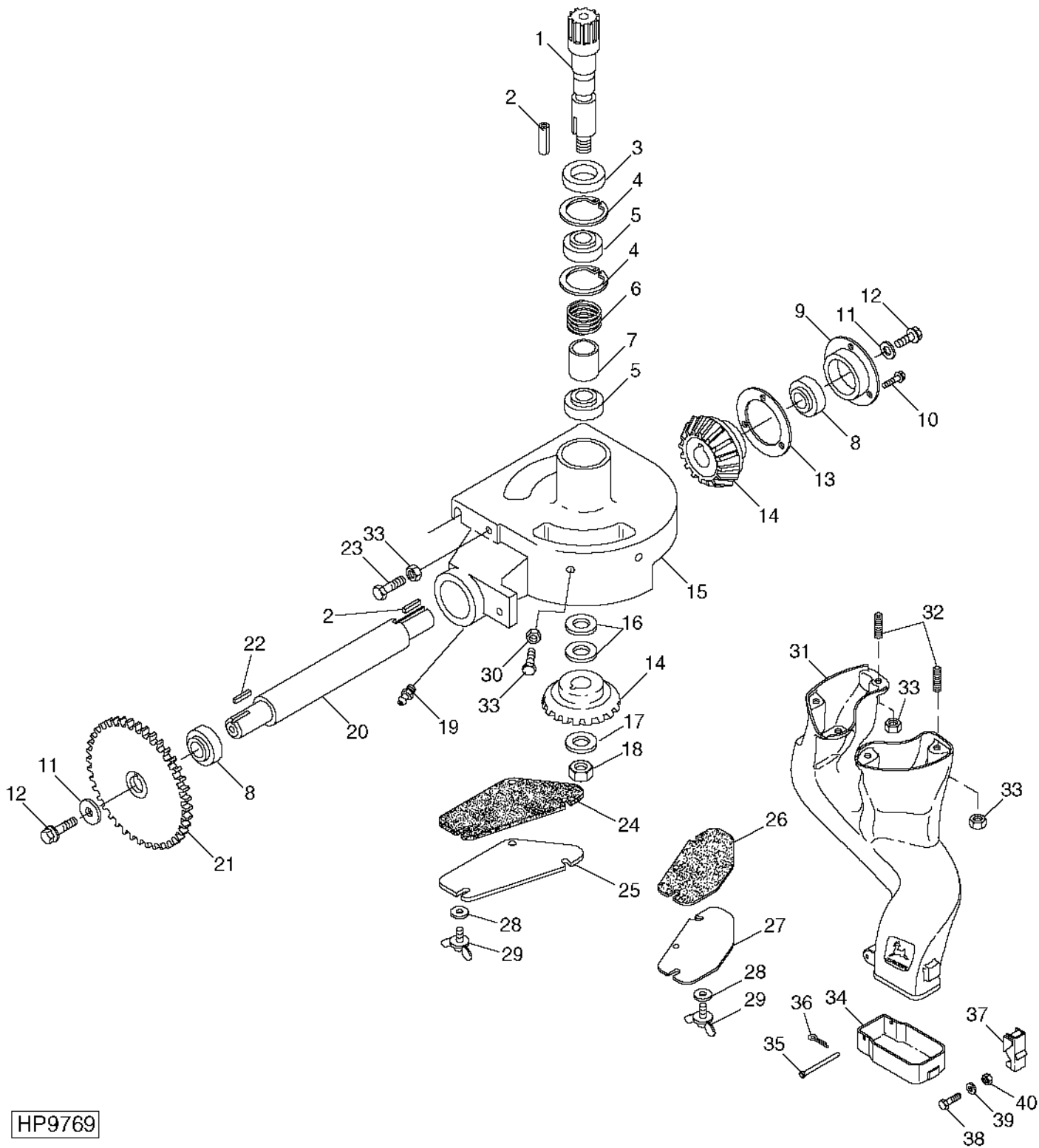
| KEY | PART NO. | PART NAME | QTY | SERIAL NO. | REMARKS |
|-----|----------|---------------|-----|------------|--|
| 1 | 19M7867 | SCREW | AR | | M8 X 25 |
| 2 | B27370 | WASHER | AR | | 8.330 X 19.050 X 0.910 MM (0.328" X 3/4" X 0.036") |
| | 24H1290 | WASHER | AR | | 21/64" X 3/4" X 0.035" |
| 3 | 14M7396 | LOCK NUT | AR | | M8 |
| 4 | AH125278 | PANEL | 1 | -635474 | (SUB AH135223) |
| | AH135223 | PANEL | 1 | | |
| 5 | AH125905 | PANEL | 1 | | R.H. FRONT |
| 6 | 03M7184 | BOLT | AR | | M8 X 20 |
| | 14M7298 | FLANGE NUT | AR | | M8 |
| 7 | AH125290 | PANEL | 1 | -635474 | (SUB AH135228) |
| | AH135228 | PANEL | 1 | | |
| 8 | 03M7184 | BOLT | 6 | | M8 X 20 |
| 9 | H129803 | REINFORCEMENT | 1 | | R.H. FRONT CENTER |
| 10 | H131531 | NUT | 6 | -652206 | 8 MM (0.315") (SUB M84309) |
| | M84309 | NUT | 6 | | 7.925 MM (5/16") |
| 11 | 14M7020 | WING NUT | 6 | | M8 |
| 12 | H129823 | BRACKET | 1 | | R.H. REAR CORNER |
| 13 | AH125287 | PANEL | 1 | -635474 | (SUB AH135230) |
| | AH135230 | PANEL | 1 | | |
| 14 | H129822 | BRACKET | 1 | | L.H. REAR CORNER |
| 15 | H129814 | HINGE | 1 | | |
| 16 | H129816 | PIN | 1 | -646204 | 7.925 X 291 MM (0.312" X 11.457") (MAKE FROM H99599) CUT TO 291 MM |
| | H99599 | DOWEL PIN | 1 | | 7.925 X 1 524 MM (5/16" X 60") |
| 17 | H129825 | BRACKET | 2 | -29SEP7 | |
| | H164404 | BRACKET | 2 | | |
| 18 | 19M7866 | SCREW | AR | | M8 X 20 |
| | 14M7298 | FLANGE NUT | AR | | M8 |
| 19 | AH125285 | PANEL | 1 | -635474 | (SUB AH135226) |
| | AH135226 | PANEL | 1 | | |
| 20 | H129815 | PANEL | 1 | | L.H. OUTER |
| 21 | AH126864 | PANEL | 1 | | L.H. FRONT |

9D3

CLEAN GRAIN ELEVATOR, GRAIN TANK AND UNLOADING AUGER

VERTICAL AUGER LOWER GEAR CASE

HP9769 -UN-23MAY00



HP9769

9D4

CLEAN GRAIN ELEVATOR, GRAIN TANK AND UNLOADING AUGER

VERTICAL AUGER LOWER GEAR CASE - CONTINUED

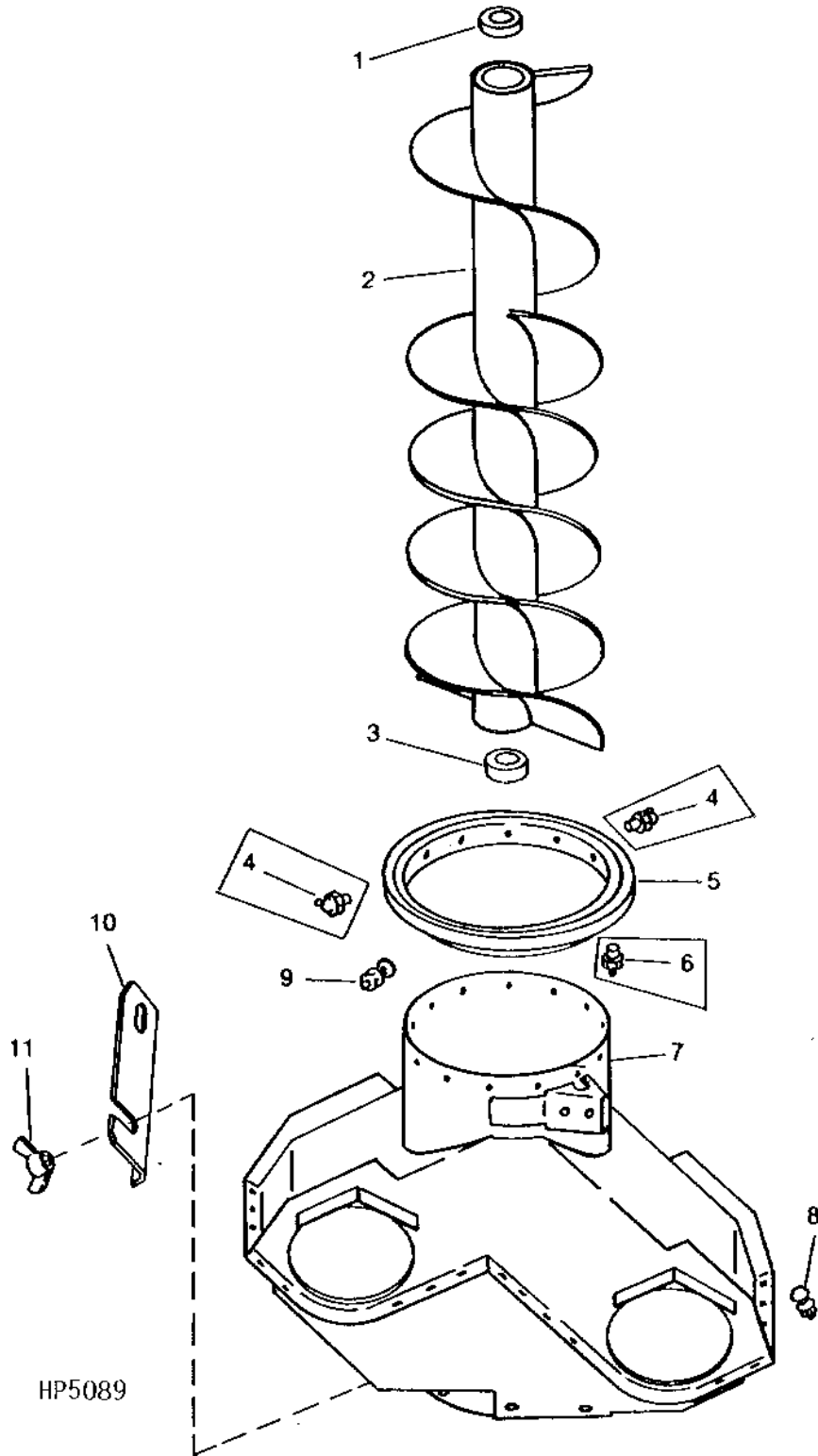
| KEY | PART NO. | PART NAME | QTY | SERIAL NO. | REMARKS |
|-----|----------|-----------------------------|-----|---------------|--|
| 1 | H96169 | SHAFT | 1 | | LOWER |
| 2 | | KEY | 2 | | (MAKE FROM H64376) 10 MM X 10 MM 32 MM (3/8" X 3/8" X 1-1/4") |
| 3 | AH90963 | SEAL | 1 | | |
| 4 | N71921 | SNAP RING | 2 | | |
| 5 | AH96585 | BEARING | 2 | | |
| 6 | H96267 | SPRING | 1 | | |
| 7 | H96149 | BUSHING | 1 | | 39.675 X 50.800 X 51.765 MM (1-9/16" X 2" X 2.038") |
| 8 | JD8524 | BEARING | 2 | | |
| 9 | H113053 | BEARING HOUSING W/O BEARING | 1 | | |
| 10 | 19M7785 | SCREW | 3 | | M10 X 25 |
| 11 | H129716 | WASHER | 2 | | 17 X 58 X 8 MM (0.669" X 2.283" X 0.315") |
| 12 | 19M7843 | SCREW | 2 | | M16 X 35 |
| 13 | H96297 | SHIM | 1 | | 0.254 MM (0.010") |
| | H96298 | SHIM | 2 | -662191 | 0.508 MM (0.020") |
| | H96298 | SHIM | 1 | 662192- | 0.508 MM (0.020") |
| 14 | H96294 | GEAR | 2 | | 23 TOOTH |
| 15 | H130137 | CASE | 1 | | |
| 16 | 24H1533 | SHIM | 1 | -655995 | 0.018" |
| | 24H1533 | SHIM | 2 | 655996- | 0.018" |
| 17 | 24H1433 | WASHER | 1 | | 29/32" X 2-1/4" X 1/4" |
| 18 | H29623 | LOCK NUT | 1 | | 22.225 MM (7/8") |
| 19 | JD7778 | LUBRICATION FITTING | 1 | -650300 | 30° X 23.114 MM LONG (0.910" LONG) |
| | JD7763 | LUBRICATION FITTING | 1 | 650301-651397 | 45° X 22.606 MM LONG (0.890" LONG) 45 DEGREE |
| | JD7759 | LUBRICATION FITTING | 1 | 651398- | STRAIGHT |
| 20 | H129653 | SHAFT | 1 | | |
| 21 | AH125080 | DRIVE SPROCKET | 1 | | 46 TOOTH |
| | AH146352 | DRIVE SPROCKET | 1 | 661262- | (RICE ONLY) 40 TOOTH |
| 22 | | KEY | 1 | | 10 MM X 10 MM X 38 MM (3/8" X 3/8" X 1-1/2") (MAKE FROM H64376) |
| 23 | 19M7835 | SCREW | 1 | | M10 X 35 |
| 24 | H135192 | SEAL | 1 | | FRONT |
| 25 | H136572 | COVER | 1 | | FRONT |
| 26 | H135193 | SEAL | 1 | | REAR |
| 27 | H136573 | COVER | 1 | | REAR |
| 28 | 24M7178 | WASHER | 5 | | 10.500 X 30 X 2.500 MM |
| 29 | 21M7236 | WING SCREW | 5 | | M10 X 16 |
| 30 | 19M7786 | SCREW | 8 | | M10 X 30 |
| 31 | AH167433 | CHUTE | 1 | | |
| 32 | 22M7149 | SET SCREW | 5 | | M10 X 30 |
| 33 | 14M7296 | FLANGE NUT | 14 | | M10 |
| 34 | H173223 | CAP | 1 | | |
| 35 | M112271 | PIN | 1 | | |
| 36 | J16931 | SPRING LOCKING PIN | 1 | | |
| 37 | AH168300 | LATCH | 1 | | |
| 38 | 21M7284 | SCREW | 4 | | M3 X 16 |
| 39 | 24M7029 | SHIM | 4 | | |
| 40 | 14M7196 | NUT | 4 | | M3 |

9D5

CLEAN GRAIN ELEVATOR, GRAIN TANK AND UNLOADING AUGER

VERTICAL UNLOADING AUGER AND CHARGE HOUSING

HP5089 -UN-01JAN94



9D6

CLEAN GRAIN ELEVATOR, GRAIN TANK AND UNLOADING AUGER

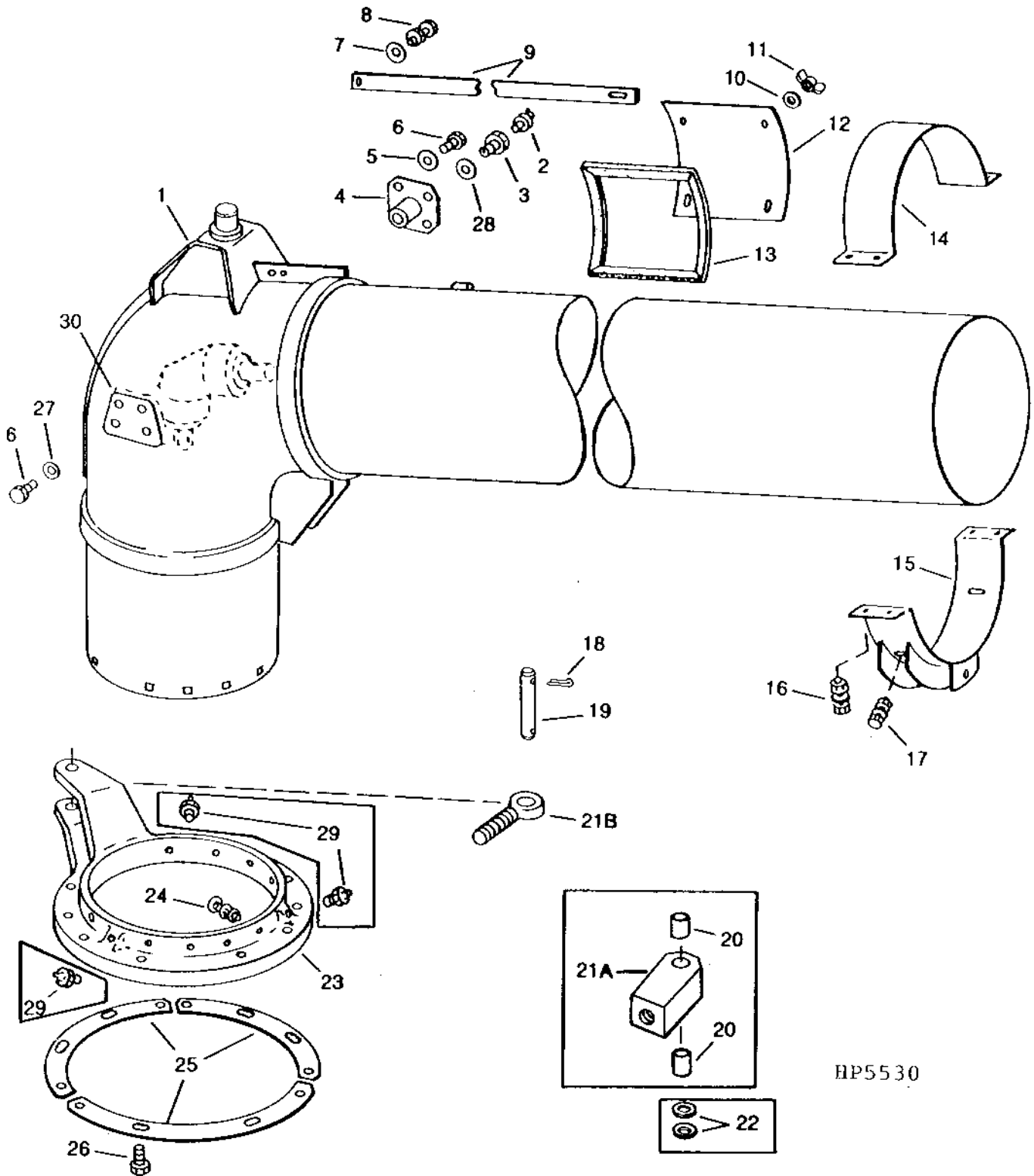
VERTICAL UNLOADING AUGER AND CHARGE HOUSING - CONTINUED

| KEY | PART NO. | PART NAME | QTY | SERIAL NO. | REMARKS |
|-----|----------|-----------------------|-----|---------------|--|
| 1 | H128861 | SPLINED COUPLING | 1 | | |
| 2 | AH124852 | AUGER | 1 | | REGULAR |
| | AH140081 | FLIGHT | 1 | 642113- | STAINLESS STEEL |
| 3 | AH124878 | EXTERNAL HALF COUPLER | 1 | | |
| 4 | JD7788 | LUBRICATION FITTING | 2 | -631904 | 45° X 20.574 MM LONG (0.810" LONG) 45° |
| 5 | H129855 | RING | 1 | -635423 | |
| | H141410 | RING | 1 | 635424-647297 | |
| | H146775 | RING | 1 | 647298- | |
| 6 | JD7797 | LUBRICATION FITTING | 1 | -631904 | STRAIGHT |
| 7 | AH131239 | HOUSING | 1 | -636085 | (SUB AH136023) |
| | AH136023 | HOUSING | 1 | -647297 | |
| | AH140713 | HOUSING | 1 | 647298- | |
| 8 | 03M7190 | BOLT | 30 | | M10 X 20 |
| | 14M7296 | FLANGE NUT | 30 | | M10 |
| 9 | 03M7191 | BOLT | 12 | -647297 | M10 X 25 |
| | 03M7198 | BOLT | 12 | 647298- | M12 X 30 |
| | 14M7296 | FLANGE NUT | 12 | -647297 | M10 |
| | 14M7299 | FLANGE NUT | 12 | 647298- | M12 |
| 10 | H130771 | PLATE | 1 | | |
| 11 | 14M7020 | WING NUT | 2 | | M8 |
| .. | | WEATHERSTRIP | AR | | (USE WITH H130771) (CUT FROM H81330) |

9D7

CLEAN GRAIN ELEVATOR, GRAIN TANK AND UNLOADING AUGER

HORIZONTAL UNLOADING AUGER SWIVEL
HP5530 -UN-01JAN94



HP5530

9D8

CLEAN GRAIN ELEVATOR, GRAIN TANK AND UNLOADING AUGER

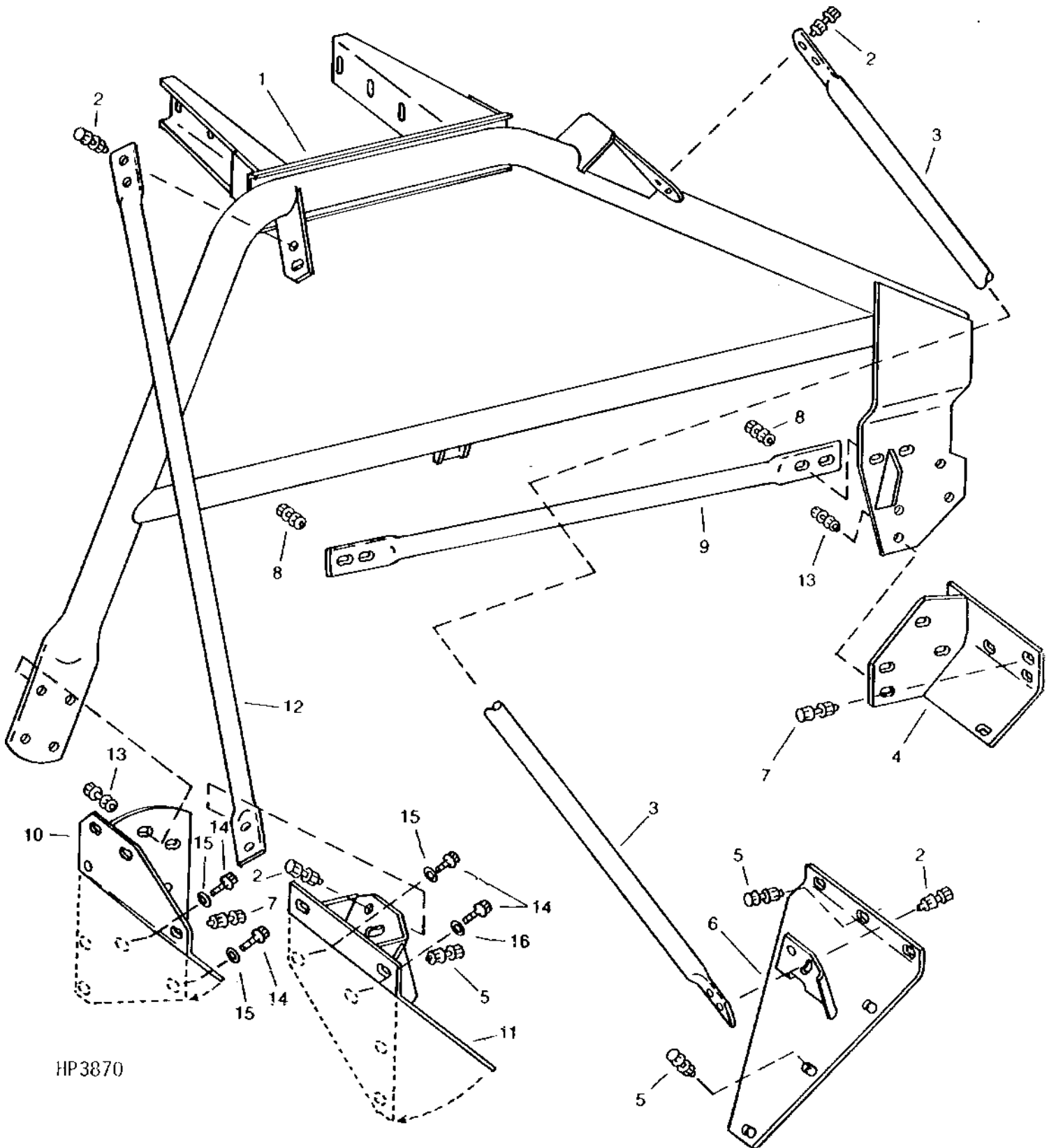
HORIZONTAL UNLOADING AUGER SWIVEL - CONTINUED

| KEY | PART NO. | PART NAME | QTY | SERIAL NO. | REMARKS |
|-----|----------|---------------------|-----|------------|--|
| 1 | AH162400 | HOUSING | 1 | | (SUB FOR AH145051 OR AH131241) |
| 2 | JD7806 | LUBRICATION FITTING | 1 | | 90° X 19.050 MM LONG (3/4" LONG) 90 DEGREE |
| 3 | H96228 | SCREW | 1 | | |
| 4 | AH123912 | SUPPORT | 1 | | |
| 5 | 12H304 | LOCK WASHER | 4 | | 3/8" |
| 6 | 19H2676 | CAP SCREW | 4 | | 3/8" X 1" |
| 7 | 24H1305 | WASHER | 1 | | 13/32" X 13/16" X 0.065" |
| 8 | 19H1732 | CAP SCREW | 1 | | 3/8" X 1-1/4" |
| | E55662 | FLANGE NUT | 1 | | 3/8" |
| 9 | H116351 | STRAP | 1 | | |
| 10 | 24H1224 | WASHER | 4 | | 11/32" X 1" X 1/16" |
| 11 | 14H785 | NUT | 4 | | 5/16" |
| 12 | H96652 | DOOR | 1 | | |
| 13 | | WEATHERSTRIP | AR | | (CUT FROM H81330) |
| 14 | H133178 | CLAMP | 1 | | |
| 15 | AH128038 | STRAP | 1 | -632430 | (SUB AH136153) |
| | AH136153 | STRAP | 1 | | |
| 16 | 19M7786 | SCREW | 4 | | M10 X 30 |
| | 24H1311 | WASHER | 4 | | 13/32" X 1-1/4" X 0.220" |
| | 14M7296 | FLANGE NUT | 4 | | M10 |
| 17 | 03M7190 | BOLT | 2 | | M10 X 20 |
| | 14M7296 | FLANGE NUT | 2 | | M10 |
| 18 | 11M7038 | COTTER PIN | 2 | | 6.300 X 40 MM |
| 19 | H138930 | PIN | 1 | | 22.070 X 118 MM (0.869" X 4.646") |
| 20 | R50875 | BUSHING | 2 | -650300 | |
| 21A | H137225 | END | 1 | -650300 | |
| 21B | H148376 | EYEBOLT | 1 | 650301- | |
| 22 | 24M7045 | WASHER | 2 | -630381 | 23 X 34 X 4 MM, NOT REQUIRED WITH H137227 |
| 23 | H129550 | RING | 1 | -631904 | (SUB H137227) |
| | H137227 | RING | 1 | | |
| 24 | 03M7353 | BOLT | 12 | | M12 X 30 |
| | 14M7299 | FLANGE NUT | 12 | | M12 |
| 25 | H131356 | SECTOR | 3 | | |
| 26 | 19M7784 | SCREW | 12 | -642112 | M10 X 20 |
| | 19M7784 | SCREW | 8 | 642113- | M10 X 20 |
| | 19M7783 | SCREW | 4 | 642113- | M10 X 16 |
| 27 | 24H1308 | WASHER | 4 | | 13/32" X 1" X 0.134" |
| 28 | 12H294 | LOCK WASHER | 1 | | 5/8" |
| 29 | JD7759 | LUBRICATION FITTING | 3 | -636346 | |
| 30 | H147752 | PLATE | 1 | 646266- | |

9D9

CLEAN GRAIN ELEVATOR, GRAIN TANK AND UNLOADING AUGER

AUGER SWIVEL SUPPORT AND BRACES
HP3870 -UN-01JAN94



HP3870

9D10

CLEAN GRAIN ELEVATOR, GRAIN TANK AND UNLOADING AUGER

AUGER SWIVEL SUPPORT AND BRACES - CONTINUED

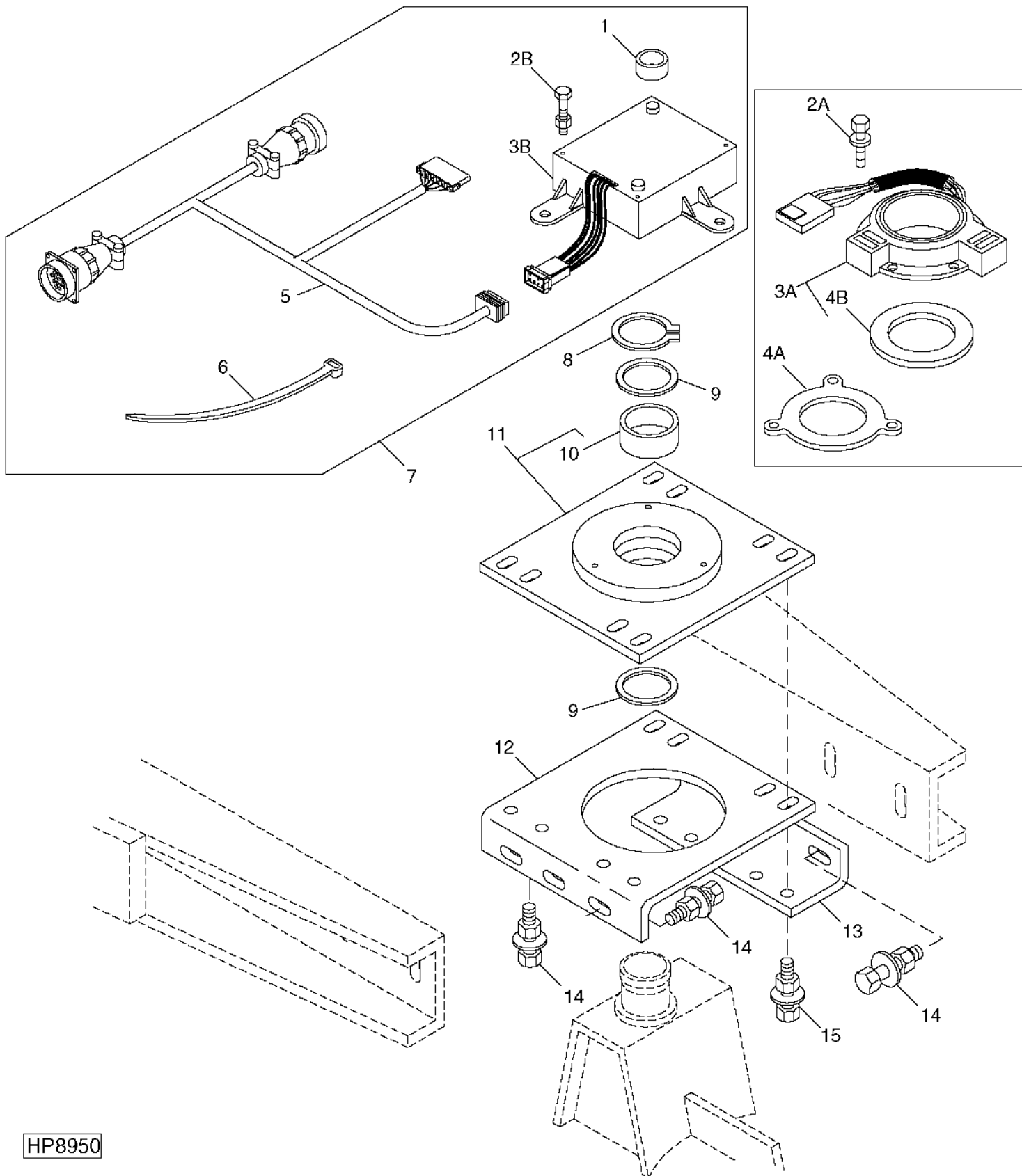
| KEY | PART NO. | PART NAME | QTY | SERIAL NO. | REMARKS |
|-----|----------|------------|-----|---------------|--------------------------------------|
| 1 | AH126280 | FRAME | 1 | -637787 | (SUB AH131559) |
| | AH131559 | FRAME | 1 | 637788-641194 | (SUB AH139996) |
| | AH139996 | FRAME | 1 | 641195-646600 | (SUB AH140790) |
| | AH140790 | FRAME | 1 | | |
| 2 | 19M7793 | SCREW | 12 | | M16 X 40 |
| | 14M7291 | FLANGE NUT | 12 | | M16 |
| 3 | H131255 | BRACE | 1 | | |
| 4 | AH126281 | ANCHOR | 1 | | LEFT HAND FRONT |
| 5 | 19M7789 | SCREW | 6 | | M12 X 30 |
| | 14M7299 | FLANGE NUT | 6 | | M12 |
| 6 | AH126283 | ANCHOR | 1 | | RIGHT HAND FRONT |
| 7 | 19M7788 | SCREW | 6 | | M12 X 25 |
| | 14M7299 | FLANGE NUT | 6 | | M12 |
| 8 | 19M7843 | SCREW | 4 | | M16 X 35 |
| | 14M7291 | FLANGE NUT | 4 | | M16 |
| 9 | H131261 | BRACE | 1 | | CHARGE HOUSING |
| 10 | AH126282 | ANCHOR | 1 | | LEFT HAND REAR |
| 11 | AH126284 | ANCHOR | 1 | | RIGHT HAND REAR |
| 12 | H131258 | BRACE | 1 | | |
| 13 | 19M7793 | SCREW | 8 | | M16 X 40 |
| | 14M7291 | FLANGE NUT | 8 | | M16 |
| 14 | 19M7791 | SCREW | 4 | | M12 X 40 |
| 15 | 24H1347 | WASHER | 3 | | 17/32" X 2" X 0.194" |
| 16 | 24H1380 | WASHER | 1 | | 11/16" X 1-3/4" X 0.194", R.H. OUTER |

9D11

CLEAN GRAIN ELEVATOR, GRAIN TANK AND UNLOADING AUGER

HORIZONTAL UNLOADING AUGER HUB SUPPORT AND SWITCH

HP8950 -UN-24AUG99



HP8950

9D12

CLEAN GRAIN ELEVATOR, GRAIN TANK AND UNLOADING AUGER

HORIZONTAL UNLOADING AUGER HUB SUPPORT AND SWITCH - CONTINUED

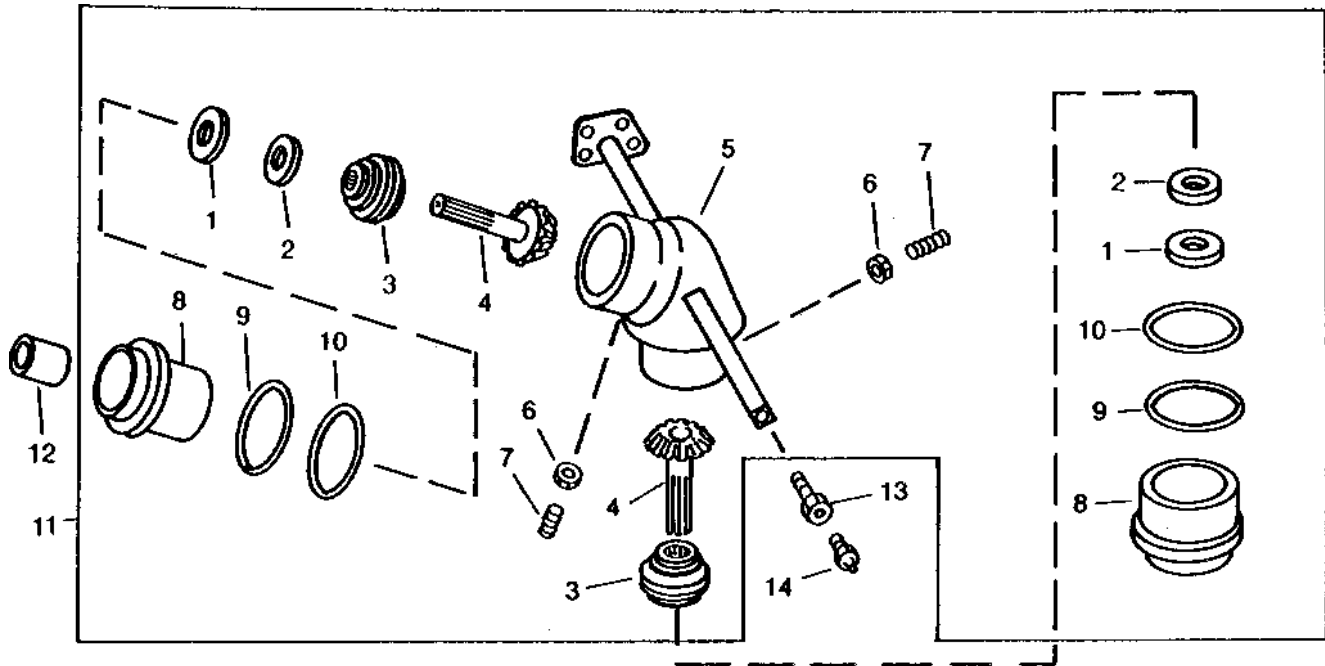
| KEY | PART NO. | PART NAME | QTY | SERIAL NO. | REMARKS |
|-----|----------|----------------|-----|---------------|--|
| 1 | 28H3377 | BUSHING | 2 | | 10.744 X 17.145 X 44.450 MM, (A) |
| 2A | 19M6755 | CAP SCREW | 3 | 641087-670000 | M6 X 35 |
| | 24M7139 | WASHER | 3 | 29SEP7-670000 | 6.400 X 18 X 1.600 MM |
| 2B | 19M8402 | CAP SCREW | 2 | | M8 X 65, (A) |
| | 14M7298 | FLANGE NUT | 2 | | M8, (A) |
| 3A | AH142999 | SWITCH | 1 | -670000 | (SUB AH163979) (SUB FOR AH128906, AH137183 AND AH140989) (INCLUDES H148702 GASKET) |
| 3B | AH155480 | MODULE | 1 | | (A) |
| 4A | H128489 | GASKET | 1 | -646819 | (SUB H148702) |
| 4B | H148702 | GASKET | 1 | -670000 | |
| 5 | AH156413 | WIRING HARNESS | 1 | | (A) |
| 6 | R44302 | TIE BAND | 6 | | (A) |
| 7 | AH163979 | KIT | 1 | | (INCLUDES PARTS MARKED (A) AND INSTRUCTIONS H168641) |
| 8 | 40M7166 | SNAP RING | 1 | | (SUB FOR 40M1839) |
| 9 | H132097 | WASHER | 2 | | |
| 10 | H128479 | BUSHING | 1 | | |
| 11 | AH123602 | HUB | 1 | | |
| 12 | H131263 | SUPPORT | 1 | | |
| 13 | H131262 | ANGLE | 1 | | HUB MOUNTING |
| 14 | 19M7790 | SCREW | 10 | | M12 X 35 |
| | 24M7180 | WASHER | 10 | | 13 X 37 X 3 MM |
| | 14M7299 | FLANGE NUT | 10 | | M12 |
| 15 | 19M7791 | SCREW | 4 | | M12 X 40 |
| | 24M7180 | WASHER | 4 | | 13 X 37 X 3 MM |
| | 14M7299 | FLANGE NUT | 4 | | M12 |

9D13

CLEAN GRAIN ELEVATOR, GRAIN TANK AND UNLOADING AUGER

HORIZONTAL UNLOADING AUGER DRIVE GEAR CASE

HP5336 -UN-01JAN94



HP5336

| KEY | PART NO. | PART NAME | QTY | SERIAL NO. | REMARKS |
|-----|----------|-----------------------------|-----|------------|--|
| 1 | AH98118 | SEAL | 2 | | |
| 2 | H99613 | WASHER | 2 | | 31.707 X 44.450 X 9.525 MM (1.248" X 1-3/4" X 3/8") |
| 3 | AH94661 | BEARING | 2 | | (USE WITH H99613) (SUB DE18970) INCLUDES TWO CONES, TWO CUPS AND TWO SPACERS |
| | DE18970 | BEARING | 2 | | |
| 4 | H96148 | GEAR | 2 | -657939 | 18 TEETH, (SUB H149869) |
| | H149869 | GEAR | 2 | | |
| 5 | H96346 | GEAR CASE | 1 | -651159 | (SUB H149793) HOUSING ONLY (LESS GEARS) |
| | H149793 | GEAR CASE | 1 | | |
| 6 | 14H732 | NUT | 4 | | 3/8" |
| 7 | 22H845 | SET SCREW | 4 | | 3/8" X 3/4" |
| 8 | H96345 | BEARING HOUSING W/O BEARING | 1 | | |
| 9 | | SHIM | 4 | -656867 | (SUB AH139072) |
| 10 | | SHIM | 2 | -656867 | (SUB AH139072) |
| 11 | AH124509 | GEAR CASE | 1 | 651160- | (SUB AH164609) |
| | AH164609 | GEAR CASE | 1 | | |
| 12 | N72989 | BUSHING | 1 | -641245 | 32.156 X 41.275 X 28.448 MM (1-17/64" X 1-5/8" X 1.120") |
| 13 | H96228 | SCREW | 1 | | 15.875 X 63.500 MM (5/8" X 2-1/2") |
| | 12H294 | LOCK WASHER | 1 | | 5/8" |
| 14 | JD7797 | LUBRICATION FITTING | 1 | | 1/4 IN., STRAIGHT |

MEMORANDA

9D14

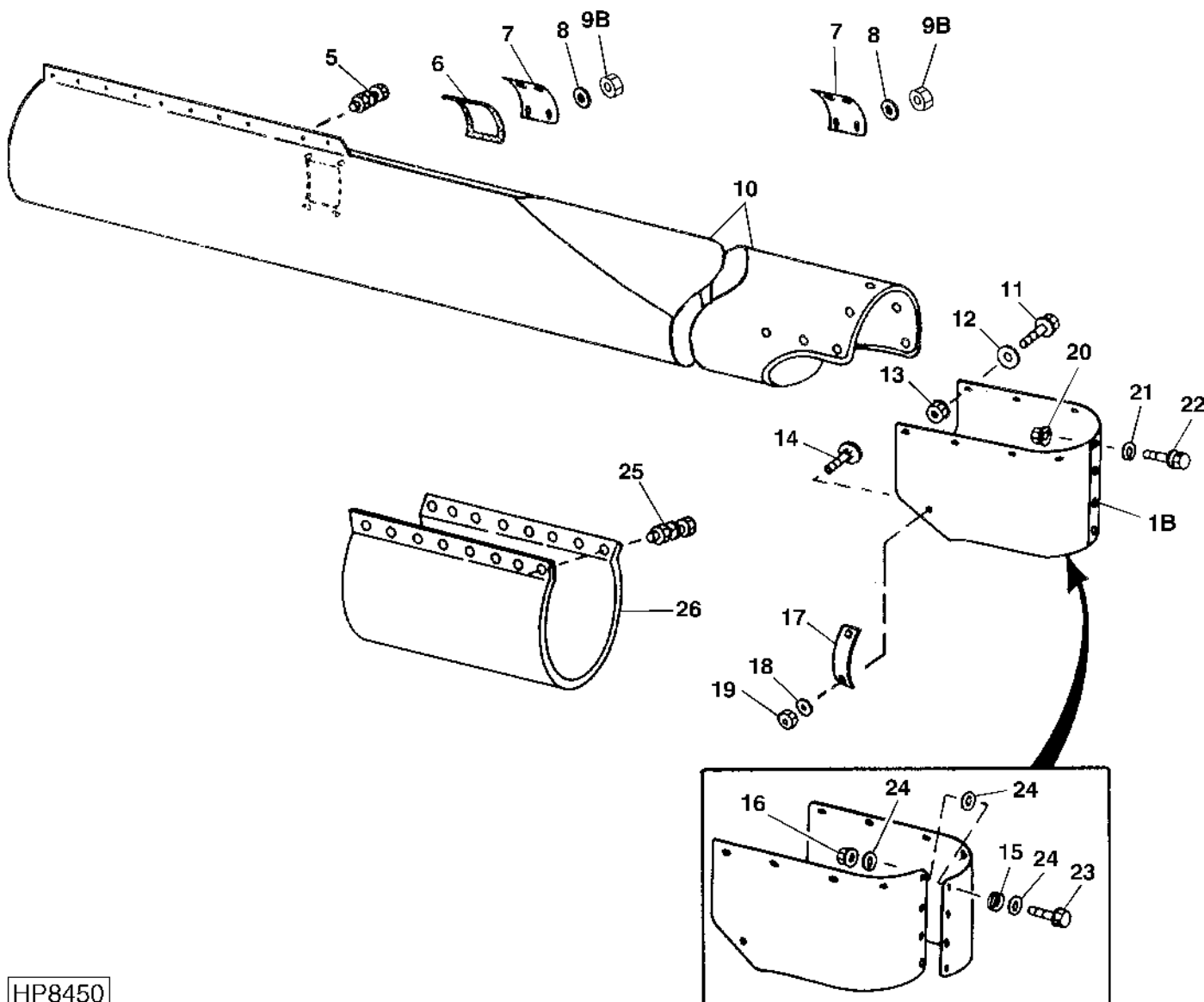
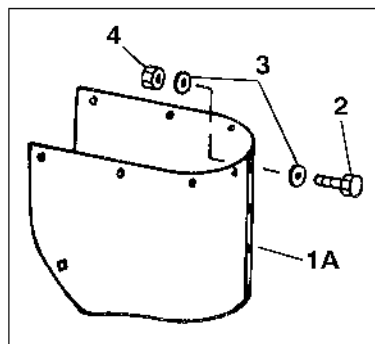
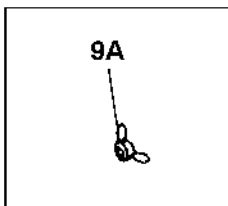
CLEAN GRAIN ELEVATOR, GRAIN TANK AND UNLOADING AUGER

HORIZONTAL UNLOADING AUGER HOUSING

(17 AND 20 FT.)

HP8450

-UN-12APR99



HP8450

9D15

CLEAN GRAIN ELEVATOR, GRAIN TANK AND UNLOADING AUGER

HORIZONTAL UNLOADING AUGER HOUSING - CONTINUED (17 AND 20 FT.)

| KEY | PART NO. | PART NAME | QTY | SERIAL NO. | REMARKS |
|-----|----------|--------------|-----|------------|---|
| 1A | H109093 | SPOUT | 1 | -640300 | (SUB H141449) USE WITH THE 17FT AND 20FT AUGER |
| 1B | H141449 | SPOUT | 1 | -651467 | (SUB H149780) USE WITH THE 17FT AND 20FT AUGER |
| 1C | H149780 | SPOUT | 1 | | USE WITH 17FT AND 20FT AUGERS |
| 2 | 19M7867 | SCREW | 4 | | M8 X 25 |
| 3 | 24H1291 | WASHER | 8 | | 21/64" X 1-15/32" X 7/64" |
| 4 | 14M7298 | FLANGE NUT | 4 | | M8 |
| 5 | 19M7868 | SCREW | 11 | | M8 X 30 |
| | 14M7396 | LOCK NUT | 11 | | M8 |
| 6 | | WEATHERSTRIP | 1 | | (MAKE FROM H81330) (USE WITH THE 20FT AUGER) |
| 7 | H96652 | DOOR | 1 | | USE WITH THE 20FT AUGER |
| 8 | 24H1224 | WASHER | 4 | | 11/32" X 1" X 1/16", USE WITH THE 20FT AUGER |
| 9A | 14H819 | WING NUT | 4 | -671332 | 5/16", USE WITH THE 20FT AUGER |
| 9B | 14H785 | NUT | 8 | 671333- | 5/16" |
| 10 | AH129066 | HOUSING | 1 | -641443 | (SUB AH140334) (17FT. AUGER) (SOLID, 3670MM LONG) |
| | AH140334 | HOUSING | 1 | -660300 | (SUB AH145049) (17FT. AUGER) (SOLID, 3670MM LONG) |
| | AH145049 | HOUSING | 1 | | |
| | AH128682 | HOUSING | 1 | -641443 | (SUB AH140335) (17FT. AUGER) (PERFORATED, 3670MMLONG) |
| | AH140335 | HOUSING | 1 | | (17FT. AUGER) (PERFORATED, 3670MM LONG) |
| | AH112865 | HOUSING | 1 | -660300 | (20FT. AUGER) (SOLID, 4585MM LONG) |
| | AH145050 | HOUSING | 1 | 660301- | |
| | AH113392 | HOUSING | 1 | | (20FT. AUGER) (PERFORATED, 4585MM LONG) |
| 11 | 19M7867 | SCREW | 8 | | M8 X 25 |
| 12 | 24M7207 | WASHER | 8 | | 8.400 X 24 X 2 MM |
| 13 | 14M7298 | FLANGE NUT | 8 | | M8 |
| 14 | 03M7184 | BOLT | 2 | | M8 X 20 |
| 15 | 19M7897 | SCREW | 7 | | M8 X 35 |
| | 14M7298 | FLANGE NUT | 7 | | M8 |
| 16 | H127998 | COVER | 1 | | (17FT. AUGER) USE WITH PERFORATED AUGER HOUSING |
| | H100027 | COVER | 1 | | (20FT. AUGER) USE WITH PERFORATED AUGER HOUSING |
| 17 | H141450 | STRAP | 1 | | |
| 18 | 24H1291 | WASHER | 4 | | 21/64" X 1-15/32" X 7/64" |
| 19 | 14M7298 | FLANGE NUT | 2 | | M8 |
| 20 | 14M7298 | FLANGE NUT | 1 | | M8 |
| 21 | 24H1291 | WASHER | 1 | | 21/64" X 1-15/32" X 7/64" |
| 22 | 19M7867 | SCREW | 1 | | M8 X 25 |
| 23 | 19M7863 | SCREW | 3 | 651468- | M6 X 25 |
| | 19M7796 | SCREW | 3 | 655301- | M6 X 30 |
| 24 | 24H1291 | WASHER | 9 | 651468- | 21/64" X 1-15/32" X 7/64" |
| 25 | 28H5 | WASHER | 3 | 651468- | 0.269" X 0.405" X 1/4" |
| 26 | 14M7303 | FLANGE NUT | 3 | 651468- | M6 |

9D16

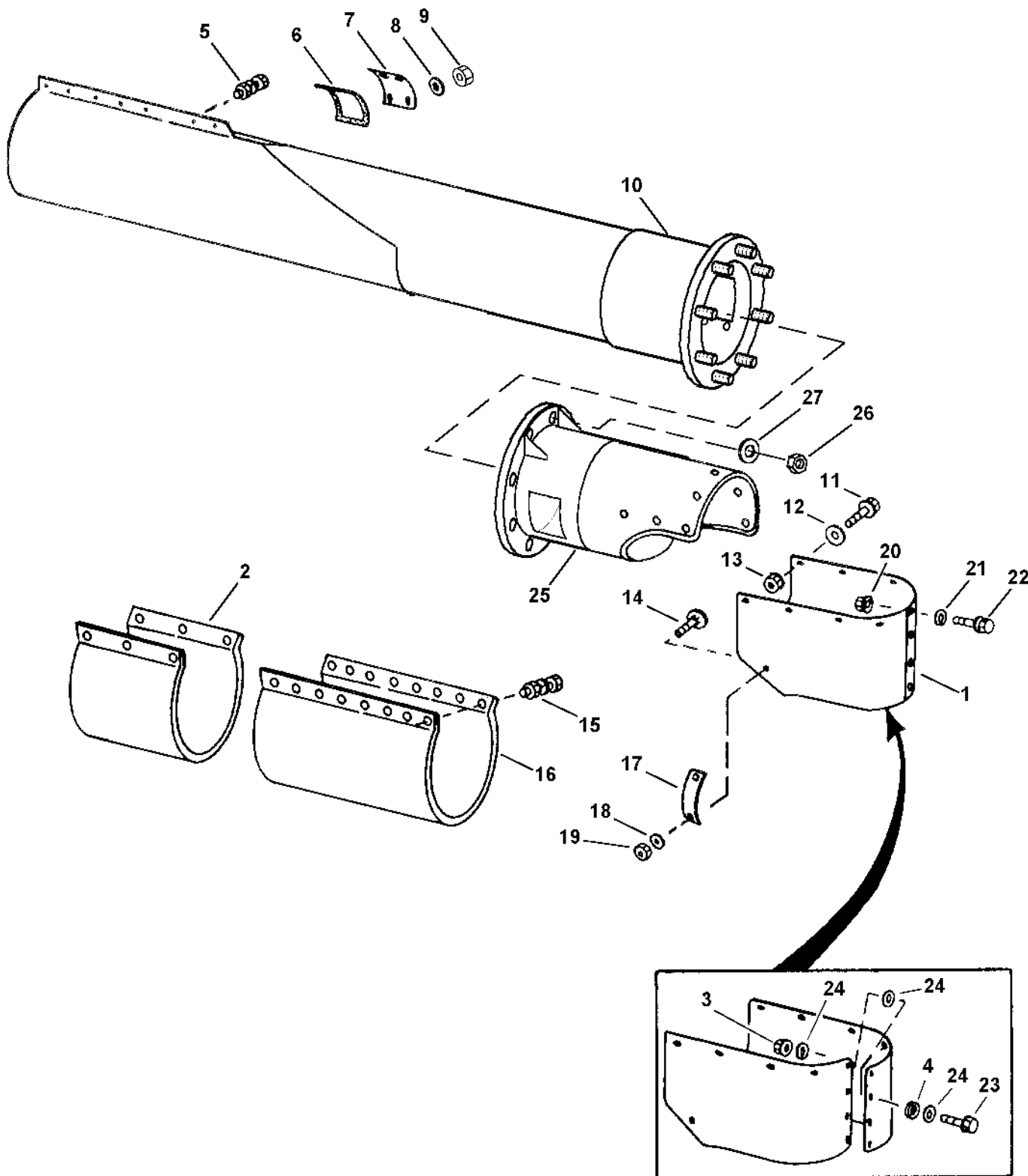
CLEAN GRAIN ELEVATOR, GRAIN TANK AND UNLOADING AUGER

HORIZONTAL UNLOADING AUGER HOUSING (EXPORT)

(17 AND 20 FT.)

HP7526

-UN-04MAY98



HP7526

9D17

CLEAN GRAIN ELEVATOR, GRAIN TANK AND UNLOADING AUGER

HORIZONTAL UNLOADING AUGER HOUSING (EXPORT) - CONTINUED (17 AND 20 FT.)

| KEY | PART NO. | PART NAME | QTY | SERIAL NO. | REMARKS |
|-----|----------|--------------|-----|------------|---|
| 1 | H149780 | SPOUT | 1 | | USE WITH 17FT AND 20FT AUGERS |
| 2 | H159784 | COVER | 1 | | UNLOADING AUGER |
| 3 | 14M7303 | FLANGE NUT | 3 | | M6 |
| 4 | 24H1291 | WASHER | 9 | | 21/64" X 1-15/32" X 7/64" |
| 5 | 19M7868 | SCREW | 11 | | M8 X 30 |
| | 14M7396 | LOCK NUT | 11 | | M8 |
| 6 | | WEATHERSTRIP | 1 | | (MAKE FROM H81330) (USE WITH THE 20FT AUGER) |
| 7 | H96652 | DOOR | 2 | | USE WITH THE 20FT AUGER |
| 8 | 24M7207 | WASHER | 8 | | 8.400 X 24 X 2 MM, USE WITH THE 20FT AUGER |
| 9 | 14H785 | NUT | 8 | | 5/16", USE WITH THE 20FT AUGER |
| 10 | AH151407 | HOUSING | 1 | | INNER |
| | AH151411 | HOUSING | 1 | | 6.1M RIGID, OUTER |
| 11 | 19M7867 | SCREW | 8 | | M8 X 25 |
| 12 | 24M7207 | WASHER | 8 | | 8.400 X 24 X 2 MM |
| 13 | 14M7298 | FLANGE NUT | 8 | | M8 |
| 14 | 03M7184 | BOLT | 2 | | M8 X 20 |
| 15 | 19M7897 | SCREW | 10 | | M8 X 35 |
| | 14M7298 | FLANGE NUT | 10 | | M8 |
| 16 | H127998 | COVER | 1 | | (17FT. AUGER) USE WITH PERFORATED AUGER HOUSING |
| | H100027 | COVER | 1 | | (20FT. AUGER) USE WITH PERFORATED AUGER HOUSING |
| 17 | H141450 | STRAP | 1 | | |
| 18 | 24H1291 | WASHER | 4 | | 21/64" X 1-15/32" X 7/64" |
| 19 | 14M7298 | FLANGE NUT | 2 | | M8 |
| 20 | 14M7298 | FLANGE NUT | 1 | | M8 |
| 21 | 24H1291 | WASHER | 1 | | 21/64" X 1-15/32" X 7/64" |
| 22 | 19M7867 | SCREW | 2 | | M8 X 25 |
| 23 | 19M7863 | SCREW | 3 | | M6 X 25 |
| | 19M7796 | SCREW | 3 | | M6 X 30 |
| 24 | 28H5 | WASHER | 3 | | 0.269" X 0.405" X 1/4" |
| 25 | AH151408 | HOUSING | 1 | | 5.2M PERFORATED, INNER |
| | AH151409 | HOUSING | 1 | | 6.1M PERFORATED, OUTER |
| | AH151410 | HOUSING | 1 | | 5.2M RIGID, OUTER |
| 26 | 14M7296 | FLANGE NUT | 8 | | M10 |
| 27 | 24M7207 | WASHER | 8 | | 8.400 X 24 X 2 MM |

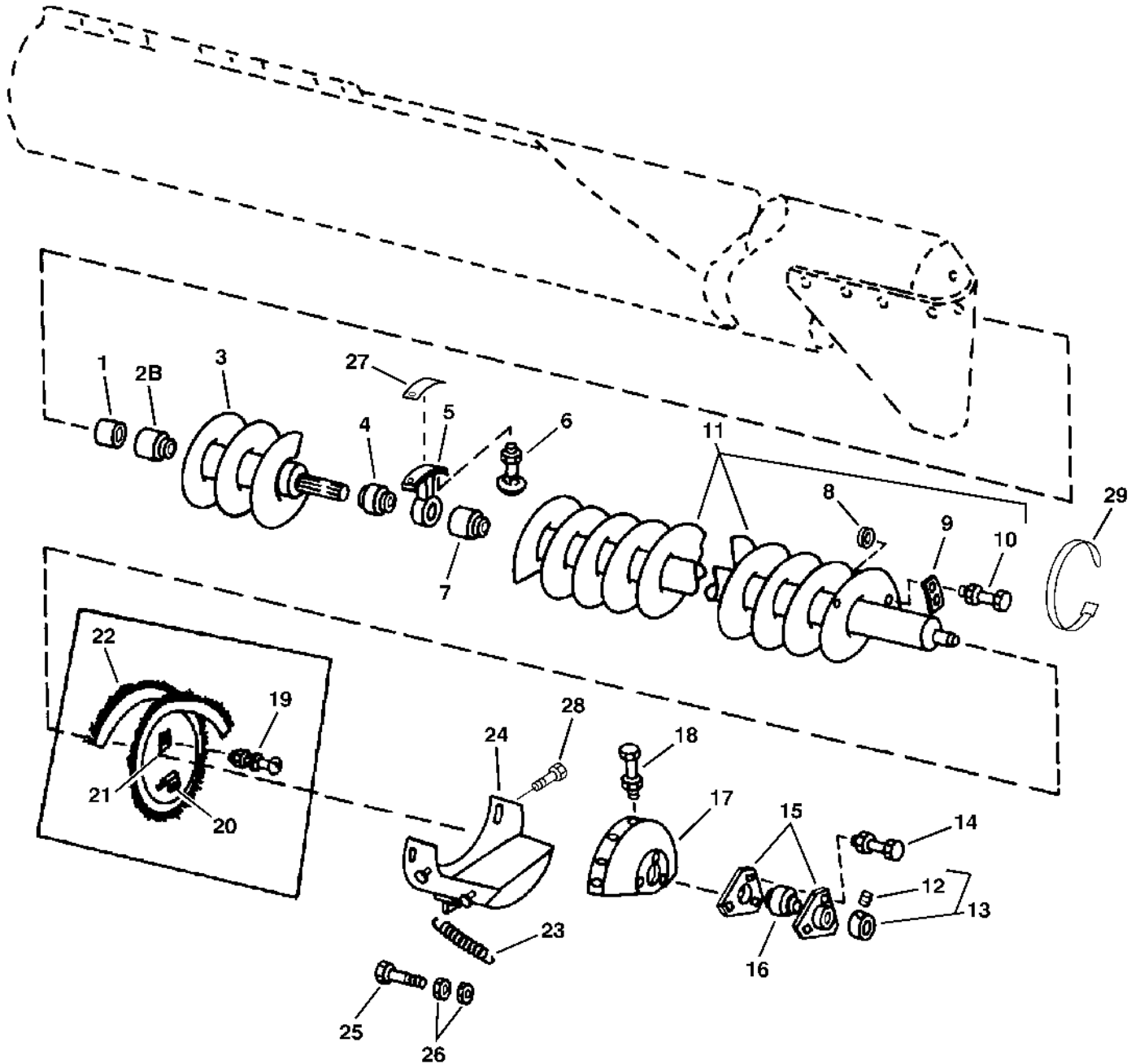
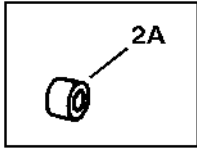
9D18

CLEAN GRAIN ELEVATOR, GRAIN TANK AND UNLOADING AUGER

HORIZONTAL UNLOADING AUGER

(17- AND 20-FT.)

HP6715 -UN-14MAY97



HP6715

9D19

CLEAN GRAIN ELEVATOR, GRAIN TANK AND UNLOADING AUGER

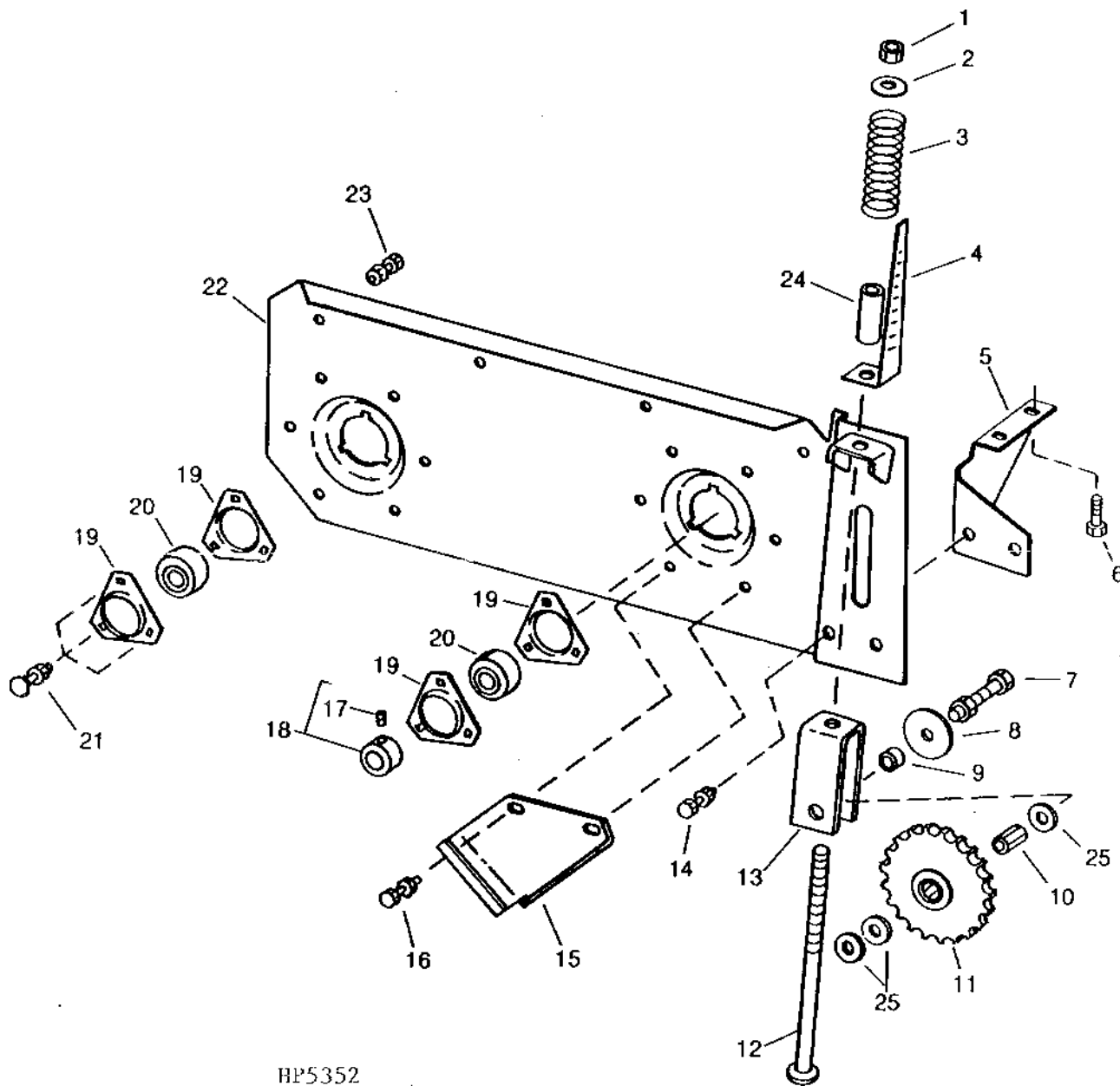
HORIZONTAL UNLOADING AUGER - CONTINUED (17- AND 20- FT.)

| KEY | PART NO. | PART NAME | QTY | SERIAL NO. | REMARKS |
|-----|----------|--------------------------|-----|---------------|---|
| 1 | N72989 | BUSHING | 1 | | |
| 2A | H116292 | SPLINED COUPLING | 1 | | |
| 2B | AH122717 | GUDGEON | 1 | 671333- | USED ON 5.2M AND 6.1 AUGER |
| 3 | AH112435 | AUGER | 1 | -671332 | (5-1/2 FT.) PLUS 14 FT. EQUALS 20 FT. OR 11-1/2 FT TO EQUAL 17 FT. |
| | AH151413 | AUGER | 1 | 671333- | 5.2M, OUTER |
| | AH151414 | AUGER | 1 | 671333- | 6.1M OUTER |
| 4 | JD9373 | BALL BEARING | 1 | | |
| 5 | H114873 | HOUSING | 1 | | |
| 6 | 03M7192 | BOLT | 2 | -671332 | M10 X 30 |
| | 14M7296 | FLANGE NUT | 2 | | M10 |
| | 03M7193 | BOLT | 2 | 671333- | M10 X 35, USED ON 5.2M AND 6.1M |
| 7 | AH122717 | GUDGEON | 1 | | |
| 8 | 24H1300 | WASHER | AR | | 25/64" X 2" X 0.220" |
| | 24H1311 | WASHER | AR | | 13/32" X 1-1/4" X 0.220" |
| 9 | H119566 | STRIP | AR | | 100 MM (4") LONG |
| | H119567 | STRIP | AR | | 125 MM (5") LONG |
| | H119568 | STRIP | AR | | 150 MM (6") LONG |
| 10 | 03H1495 | BOLT | AR | | 3/8" X 1-1/2" |
| | 03H1557 | BOLT | AR | | 3/8" X 1-1/4" |
| | K40003 | LOCK NUT | AR | | |
| 11 | AH123436 | AUGER | 1 | -645566 | (SUB AH132032) (14 FT.) PLUS 5 1/2 FT. EQUALS 20 FT. |
| | AH132032 | AUGER | 1 | -651466 | (SUB AH143731) (14 FT.) PLUS 5 1/2 FT. EQUALS 20 FT. |
| | AH143731 | AUGER | 1 | | (14 FT.) PLUS 5 1/2 FT. EQUALS 20 FT. |
| | AH123437 | AUGER | 1 | -640300 | (SUB AH132033) (17 FT.) |
| | AH132033 | AUGER | 1 | -641443 | (SUB AH143729) (17 FT.) |
| | AH143729 | AUGER | 1 | 651540- | (17 FT.) FOR (1) PIECE AUGER |
| | AH140332 | AUGER | 1 | 641444-651539 | (SUB AH143727) (11 FT.) PLUS 5 1/2 FT. TO EQUAL 17 FT. |
| | AH143727 | AUGER | 1 | | (11-1/2 FT.) PLUS 5-1/2 FT. TO EQUAL 17 FT. FOR (2) PIECE AUGER |
| | AH151403 | AUGER | 1 | 671333- | 5.2M AND 6.1M |
| 12 | 22H897 | SET SCREW | 1 | | 1/4" X 1/4" |
| 13 | JD8554 | ECCENTRIC LOCKING COLLAR | 1 | | |
| 14 | 03M7184 | BOLT | 3 | | M8 X 20 |
| | 14M7298 | FLANGE NUT | 3 | | M8 |
| | H103264 | PRESSED FLANGED HOUSING | 2 | | |
| 16 | JD8665 | BALL BEARING | 1 | | |
| 17 | H96645 | CAP | 1 | | |
| 18 | 19M7866 | SCREW | 5 | | M8 X 20 |
| | 14M7298 | FLANGE NUT | 5 | | M8 |
| 19 | 21H1029 | SCREW | 3 | -640300 | 5/16" X 3/4" |
| | 12H303 | LOCK WASHER | 3 | -640300 | 5/16" |
| | 14H785 | NUT | 3 | -640300 | 5/16" |
| 20 | H114709 | CLIP | 6 | -640300 | |
| 21 | H113717 | CLIP | 3 | -640300 | |
| 22 | AH111354 | SEAL | 1 | -640300 | |
| 23 | J18468 | SPRING | 2 | 640301- | |
| 24 | AH132230 | DOOR | 1 | 640301- | (INCLUDES Z24604) |
| | Z24604 | HINGE | 1 | | (USE WITH AH132230) |
| 25 | 19M7868 | SCREW | 1 | 660301- | M8 X 30 |
| 26 | 14M7298 | FLANGE NUT | 2 | 660301- | M8 |
| 27 | H158817 | PLATE | 1 | 671333- | |
| 28 | 03M7183 | BOLT | 2 | 671333- | M8 X 16 |
| | 14M7298 | FLANGE NUT | 2 | 671333- | M8 |
| 29 | N189220 | TIE BAND | 1 | 671333- | |

9D20

CLEAN GRAIN ELEVATOR, GRAIN TANK AND UNLOADING AUGER

CROSS AUGER BEARING PLATE - L.H.
HP5352 -UN-01JAN94



HP5352

9D21

CLEAN GRAIN ELEVATOR, GRAIN TANK AND UNLOADING AUGER

CROSS AUGER BEARING PLATE - L.H. - CONTINUED

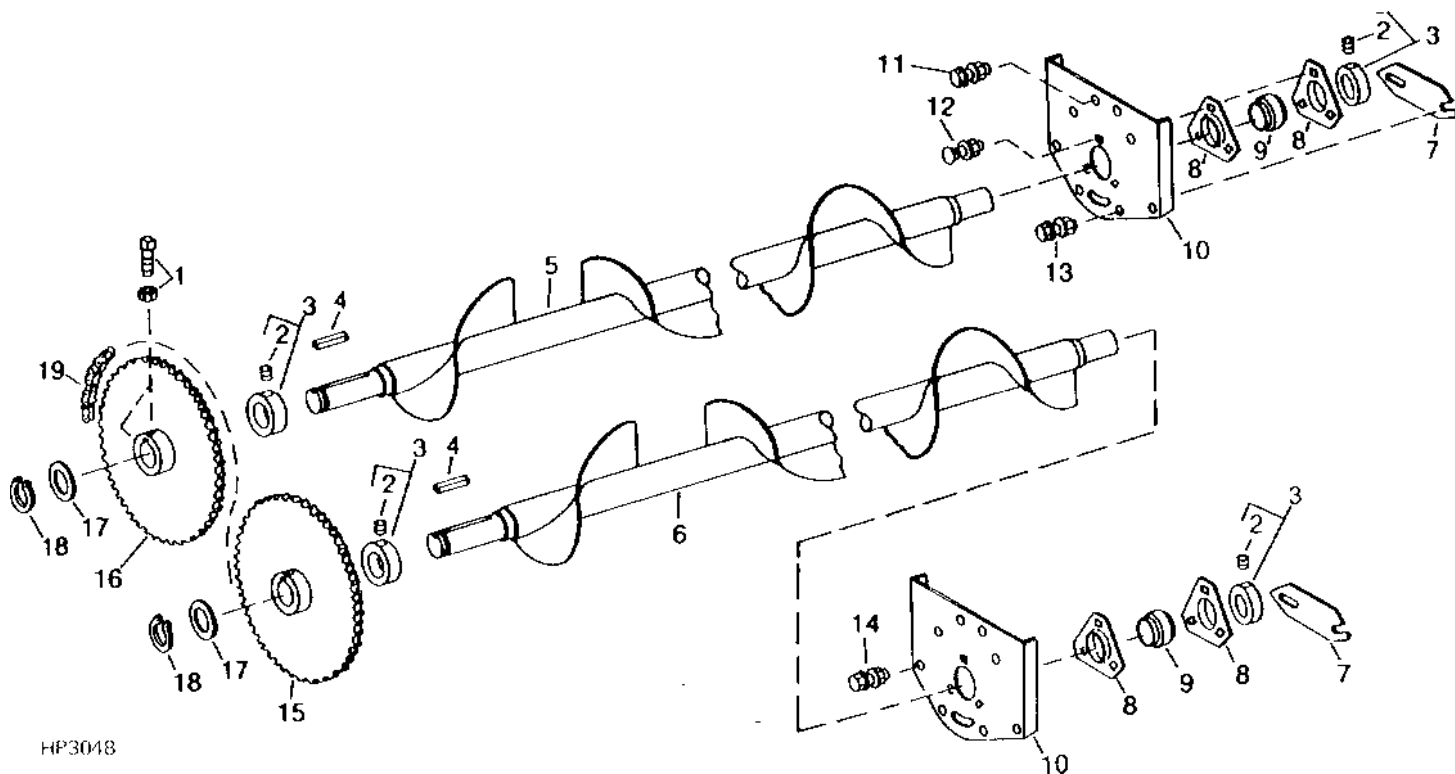
| KEY | PART NO. | PART NAME | QTY | SERIAL NO. | REMARKS |
|-----|----------|--------------------------|-----|---|-----------------------------|
| 1 | 14M7275 | NUT | 2 | M12 | |
| 2 | 24H1346 | WASHER | 1 | 17/32" X 1-3/4" X 0.120" | |
| 3 | R35542 | SPRING | 1 | | |
| 4 | H127923 | GAUGE | 1 | | |
| 5 | H127922 | REINFORCEMENT | 1 | | |
| 6 | 19M7784 | SCREW | 2 | M10 X 20 | |
| 7 | 19M7364 | CAP SCREW | 1 | M12 X 80 | |
| | 14M7299 | FLANGE NUT | 1 | M12 | |
| 8 | 24H1916 | WASHER | 1 | 17/32" X 3-1/2" X 0.180" 0.531" X 76.2" X 0.118", (SUB FOR H80228) | |
| 9 | A22724 | WASHER | 1 | 0.510" X 3/4" X 0.210" | |
| 10 | H114395 | SPACER | 1 | | |
| 11 | AH106606 | CHAIN SPROCKET | 1 | (INCLUDES JD7126) 24-TOOTH | |
| 12 | H119997 | BOLT | 1 | (SUB H163787) | |
| | H163787 | BOLT | 1 | | |
| 13 | H119996 | CHANNEL | 1 | IDLER SUPPORT | |
| 14 | 19M7866 | SCREW | 2 | M8 X 20 | |
| | 14M7298 | FLANGE NUT | 2 | M8 | |
| 15 | H133579 | STOP | 1 | | |
| 16 | 19M7866 | SCREW | 4 | M8 X 20 | |
| | 14M7396 | LOCK NUT | 4 | M8 | |
| 17 | 22M7081 | SET SCREW | 2 | M10 X 10 | |
| 18 | AH133191 | ECCENTRIC LOCKING COLLAR | 2 | | |
| 19 | H161529 | PRESSED FLANGED HOUSING | 4 | (SUB FOR H103265, THIS APPLICATION) | |
| 20 | JD39104 | BALL BEARING | 2 | | |
| 21 | 03M7191 | BOLT | 6 | M10 X 25 | |
| | 14M7296 | FLANGE NUT | 6 | M10 | |
| 22 | AH141201 | SUPPORT | 1 | (SUB FOR AH125068 OR AH140003) | |
| 23 | 19M7784 | SCREW | 12 | M10 X 20 | |
| | 14M7296 | FLANGE NUT | 12 | M10 | |
| 24 | H116161 | HOSE | 1 | -646507 | (SUB TY22326) CUT TO LENGTH |
| | TY22326 | BULK HOSE | AR | | BULK HOSE |
| 25 | 24M7242 | WASHER | 3 | | 21.400 X 42 X 5 MM |

9D22

CLEAN GRAIN ELEVATOR, GRAIN TANK AND UNLOADING AUGER

GRAIN TANK CROSS AUGERS

HP3048 -UN-01JAN94



HP3048

9D23

CLEAN GRAIN ELEVATOR, GRAIN TANK AND UNLOADING AUGER

GRAIN TANK CROSS AUGERS - CONTINUED

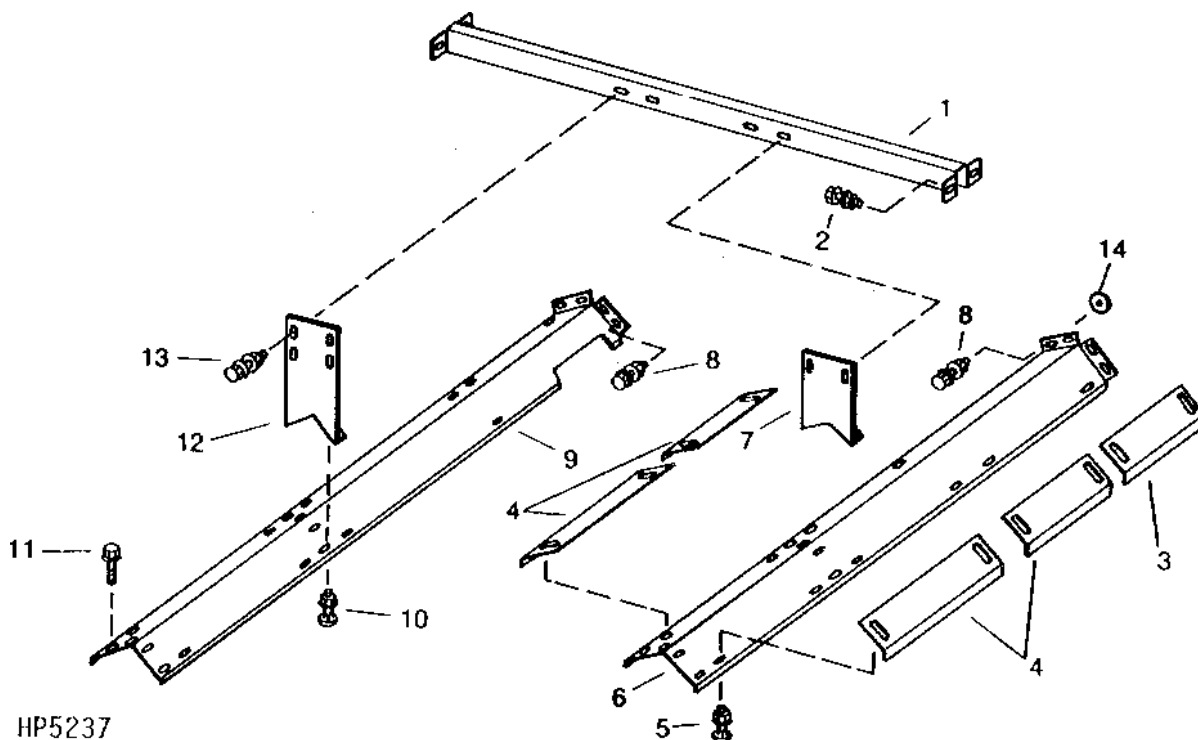
| KEY | PART NO. | PART NAME | QTY | SERIAL NO. | REMARKS |
|-----|----------|--------------------------|-----|------------|--|
| 1 | H138435 | SET SCREW | 4 | | M10 X 25 |
| | 14M7152 | NUT | 4 | | M10 |
| 2 | 22M7081 | SET SCREW | 4 | | M10 X 10 |
| 3 | AH133191 | ECCENTRIC LOCKING COLLAR | 4 | | |
| 4 | | SHAFT KEY | 2 | | 10 X 8 X 40 MM (IN AH141142 KEY STOCK KIT) (CUT FROM H150270) |
| 5 | AH167849 | AUGER | 1 | | (SUB FOR AH127975, AH138396 OR AH154967) FRONT-HEAVY DUTY |
| 6 | AH138397 | FLIGHT | 1 | -29SEP7 | (SUB FOR AH127976) (SUB AH154968) |
| | AH167850 | AUGER | 1 | | (SUB FOR AH154968) REAR-HEAVY DUTY |
| 7 | H102909 | COVER | 2 | | |
| 8 | H103265 | PRESSED FLANGED HOUSING | 4 | -671990 | |
| | H161529 | PRESSED FLANGED HOUSING | 4 | 671991- | |
| 9 | JD39104 | BALL BEARING | 2 | | |
| 10 | H126280 | REINFORCEMENT | 2 | | BEARING PLATE - R.H. |
| 11 | 19M7784 | SCREW | 8 | | M10 X 20 |
| | 14M7296 | FLANGE NUT | 8 | | M10 |
| 12 | 03M7190 | BOLT | 3 | | M10 X 20 |
| | 14M7296 | FLANGE NUT | 3 | | M10 |
| 13 | 19M7866 | SCREW | 4 | | M8 X 20 |
| | 14M7396 | LOCK NUT | 4 | | M8 |
| 14 | 19M7866 | SCREW | 4 | | M8 X 20 |
| | 14M7298 | FLANGE NUT | 4 | | M8 |
| 15 | AH125070 | CHAIN SPROCKET | 1 | | 49-TOOTH (REAR), REGULAR |
| | AH140001 | CHAIN SPROCKET | 1 | 642113- | 60-TOOTH (REAR), SLOW DOWN |
| 16 | AH126705 | CHAIN SPROCKET | 1 | -640665 | (SUB AH125070) 52-TOOTH (FRONT) |
| | AH125070 | CHAIN SPROCKET | 1 | | 49-TOOTH (FRONT), REGULAR |
| | AH140001 | CHAIN SPROCKET | 1 | 642113- | 60-TOOTH (REAR), SLOW DOWN |
| 17 | 24H1511 | WASHER | AR | | 1-13/32" X 1-3/4" X 0.060" |
| 18 | 40M7046 | SNAP RING | 1 | | |
| 19 | AH126837 | LINK CHAIN | 1 | | ROLLER, TYPE 60H - 19 MM (3/4") PITCH, 198 LINKS (REGULAR SPEED) |
| | AH146359 | LINK CHAIN | 1 | | (SUB FOR AH140004) ROLLER, TYPE 60H - 19 MM (3/4") PITCH, 206 LINKS (SLOW DOWN SPEED) |

9D24

CLEAN GRAIN ELEVATOR, GRAIN TANK AND UNLOADING AUGER

CROSS AUGER COVERS AND CHANNEL

HP5237 -UN-01JAN94



| KEY | PART NO. | PART NAME | QTY | SERIAL NO. | REMARKS |
|-----|----------------|------------------------------------|----------|---------------------------|--------------------------------|
| 1 | H126801 | CHANNEL | 1 | | |
| 2 | 19M7784 | SCREW | 4 | M10 X 20 | |
| | 14M7296 | FLANGE NUT | 4 | M10 | |
| 3 | H129472 | COVER | 1 | | SMALL ADJUSTABLE |
| 4 | H129471 | COVER | 8 | | LARGE ADJUSTABLE |
| 5 | 03M7183 | BOLT | 20 | M8 X 16 | |
| | 14M7298 | FLANGE NUT | 20 | M8 | |
| 6 | H129468 | COVER | 1 | | REAR |
| 7 | H126802 | SUPPORT | 1 | | REAR COVER |
| 8 | 19M7784 | SCREW | 4 | M10 X 20 | |
| | 14M7296 | FLANGE NUT | 4 | M10 | |
| 9 | H129467 | COVER | 1 | | FRONT |
| 10 | 03M7183 | BOLT | 8 | M8 X 16 | |
| | 14M7298 | FLANGE NUT | 8 | M8 | |
| 11 | 37M7058 | SCREW | 8 | M8 X 20, (THREAD ROLLING) | |
| 12 | H126804 | SUPPORT | 1 | | FRONT COVER |
| 13 | 19M7865 | SCREW | 4 | M8 X 16 | |
| | 14M7298 | FLANGE NUT | 4 | M8 | |
| 14 | H141123 | NUT | 8 | 10 MM (0.394") | |
| .. | BH78346 | COMPLETE GOODS/SHIP. BUNDLE | 1 | | AUGER ADJUSTABLE COVERS |

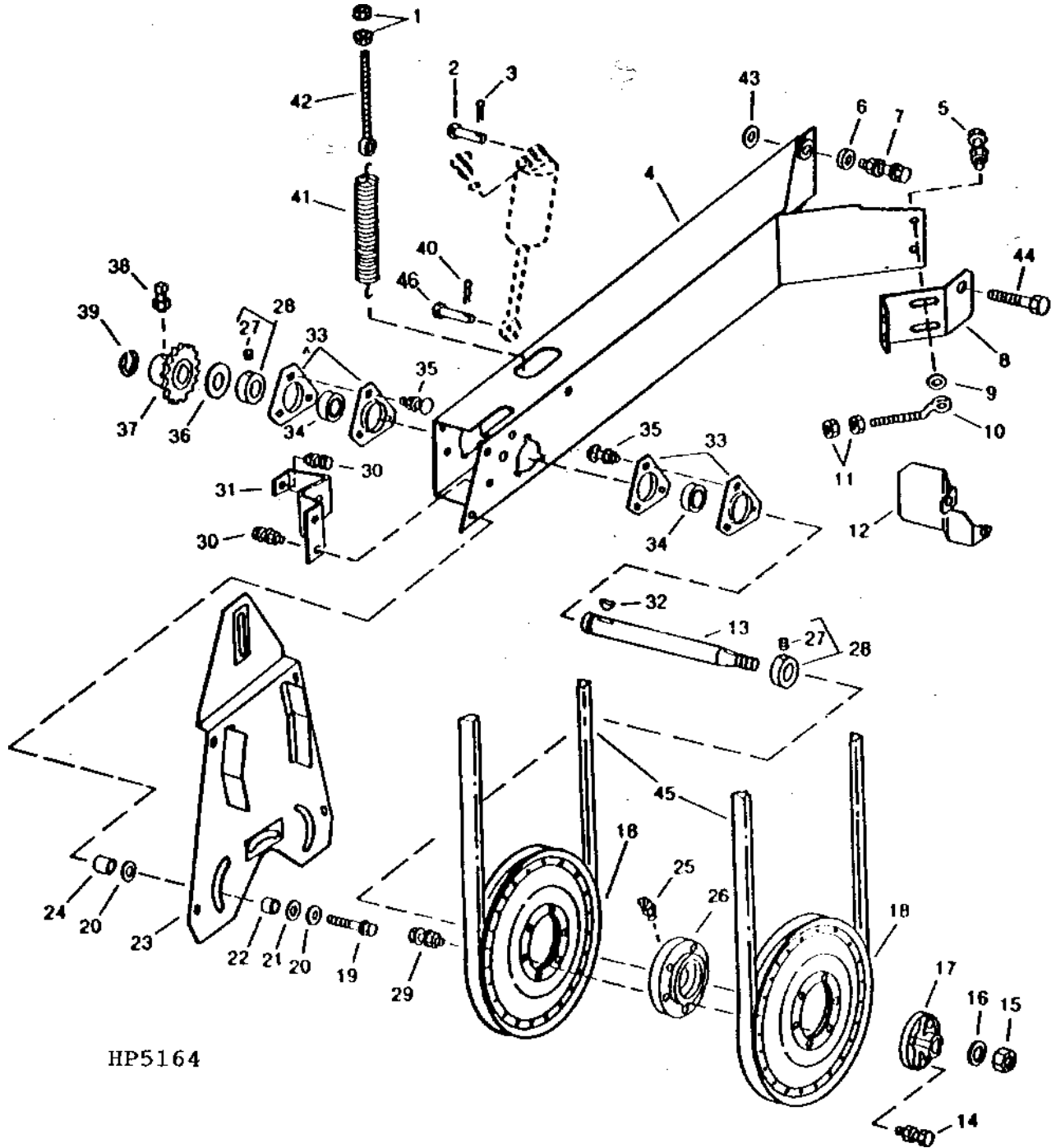
MEMORANDA

9E1

CLEAN GRAIN ELEVATOR, GRAIN TANK AND UNLOADING AUGER

UNLOADING AUGER COUNTERSHAFT DRIVE

HP5164 -UN-01JAN94



HP5164

9E2

CLEAN GRAIN ELEVATOR, GRAIN TANK AND UNLOADING AUGER

UNLOADING AUGER COUNTERSHAFT DRIVE - CONTINUED

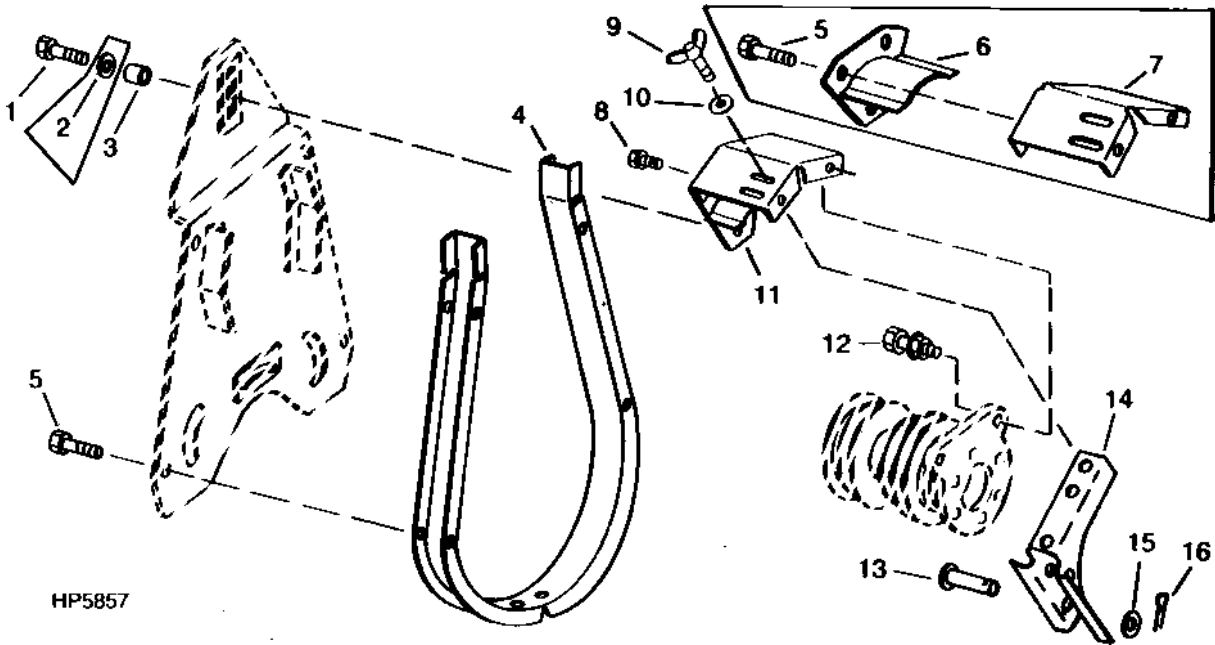
| KEY | PART NO. | PART NAME | QTY | SERIAL NO. | REMARKS |
|-----|----------|--------------------------|-----|------------|---|
| 1 | 14M7296 | FLANGE NUT | 2 | | M10 |
| 2 | H98765 | PIN | 2 | -646819 | 12.700 X 60.500 MM (1/2" X 2.382") |
| | H148340 | PIN | 2 | 646820- | 12.700 X 60.500 MM (1/2" X 2.382") |
| 3 | 11M7059 | COTTER PIN | 1 | | 3.200 X 20 MM |
| 4 | AH134549 | ARM | 1 | -651850 | (SUB AH144068) |
| | AH144068 | ARM | 1 | | |
| 5 | 19M7835 | SCREW | 2 | | M10 X 35 |
| | 14M7296 | FLANGE NUT | 2 | | M10 |
| 6 | Z33404 | SPACER | 2 | | 17.800 X 25 X 11 MM (0.701" X 0.984" X 0.433") |
| 7 | 19M7794 | SCREW | 1 | | M16 X 50 |
| | 14M7291 | FLANGE NUT | 2 | -641716 | M16 |
| | A31869 | LOCK NUT | 2 | 641717- | M16 |
| 8 | AH118993 | BRACKET | 1 | | |
| 9 | 24M7178 | WASHER | 2 | | 10.500 X 30 X 2.500 MM |
| 10 | H116262 | EYEBOLT | 2 | | |
| 11 | 14M7274 | NUT | 4 | | M10 |
| 12 | H136570 | SHIELD | 1 | -631800 | |
| | H137869 | SHIELD | 1 | 631801- | |
| 13 | H133024 | COUNTERSHAFT | 1 | | |
| 14 | 19M7185 | CAP SCREW | 1 | | M8 X 60, (SHEAR BOLT) |
| | E64256 | LOCK NUT | 1 | | M8 |
| 15 | A31871 | LOCK NUT | 1 | | M24 |
| 16 | 24M7091 | WASHER | 1 | | 26 X 44 X 4 MM |
| 17 | H133026 | HUB | 1 | | |
| 18 | AH106096 | PULLEY | 2 | | |
| 19 | 19M8318 | SCREW | 3 | | M8 X 45 |
| 20 | 24M7207 | WASHER | 6 | | 8.400 X 24 X 2 MM |
| 21 | 24H1357 | WASHER | 2 | | 19/32" X 1-5/32" X 0.090", (AT LONG SLOTS ONLY) |
| 22 | 28H1511 | WASHER | 3 | | 0.364" X 0.540" X 1/4" |
| 23 | AH128861 | GUARD | 2 | -645306 | (SUB AH140901) |
| | AH140901 | GUARD | 2 | | |
| 24 | 28H2531 | BUSHING | 3 | | 13.868 X 21.336 X 22.225 MM (0.546" X 0.840" X 7/8") |
| 25 | JD7797 | LUBRICATION FITTING | 1 | | |
| 26 | H133025 | HUB | 1 | | |
| 27 | 22M7081 | SET SCREW | 2 | | M10 X 10 |
| 28 | AH133191 | ECCENTRIC LOCKING COLLAR | 2 | | |
| 29 | 19M8317 | SCREW | 6 | | M8 X 40 |
| | 14M7298 | FLANGE NUT | 6 | | M8 |
| 30 | 19M7866 | SCREW | 3 | | M8 X 20 |
| | 14M7298 | FLANGE NUT | 3 | | M8 |
| 31 | H133690 | BRACKET | 1 | | |
| 32 | 26M6787 | SHAFT KEY | 2 | | 10 X 32 MM, (W00DRUFF) |
| 33 | H103265 | PRESSED FLANGED HOUSING | 4 | | |
| 34 | JD39104 | BALL BEARING | 2 | | |
| 35 | 03M7190 | BOLT | 6 | | M10 X 20 |
| | 14M7296 | FLANGE NUT | 6 | | M10 |
| 36 | 24H1510 | WASHER | 2 | | 1-13/32" X 1-3/4" X 0.120" |
| 37 | AH128075 | CHAIN SPROCKET | 1 | | 19 TOOTH |
| | AH128074 | CHAIN SPROCKET | 1 | 661040- | (RICE ONLY) 17 TOOTH |
| 38 | H138435 | SET SCREW | 2 | | M10 X 25 |
| | 14M7274 | NUT | 2 | | M10 |
| 39 | P44478 | SNAP RING | 1 | | |
| 40 | J16931 | SPRING LOCKING PIN | 1 | | |
| 41 | H173011 | LEAF SPRING | 1 | | (SUB FOR H137814 OR H146310) |
| 42 | H114738 | EYEBOLT | 1 | | |
| 43 | 24H1684 | WASHER | 2 | | 11/16" X 2" X 0.105" |
| 44 | 19M7824 | SCREW | 1 | | M16 X 60 |
| 45 | AH158880 | BELT SET | 1 | | (SUB FOR AH127866) |
| 46 | H148340 | PIN | 1 | | 12.700 X 60.500 MM (1/2" X 2.382") |

9E3

CLEAN GRAIN ELEVATOR, GRAIN TANK AND UNLOADING AUGER

UNLOADING AUGER DRIVE BELT GUIDE

HP5857 -UN-14OCT94



HP5857

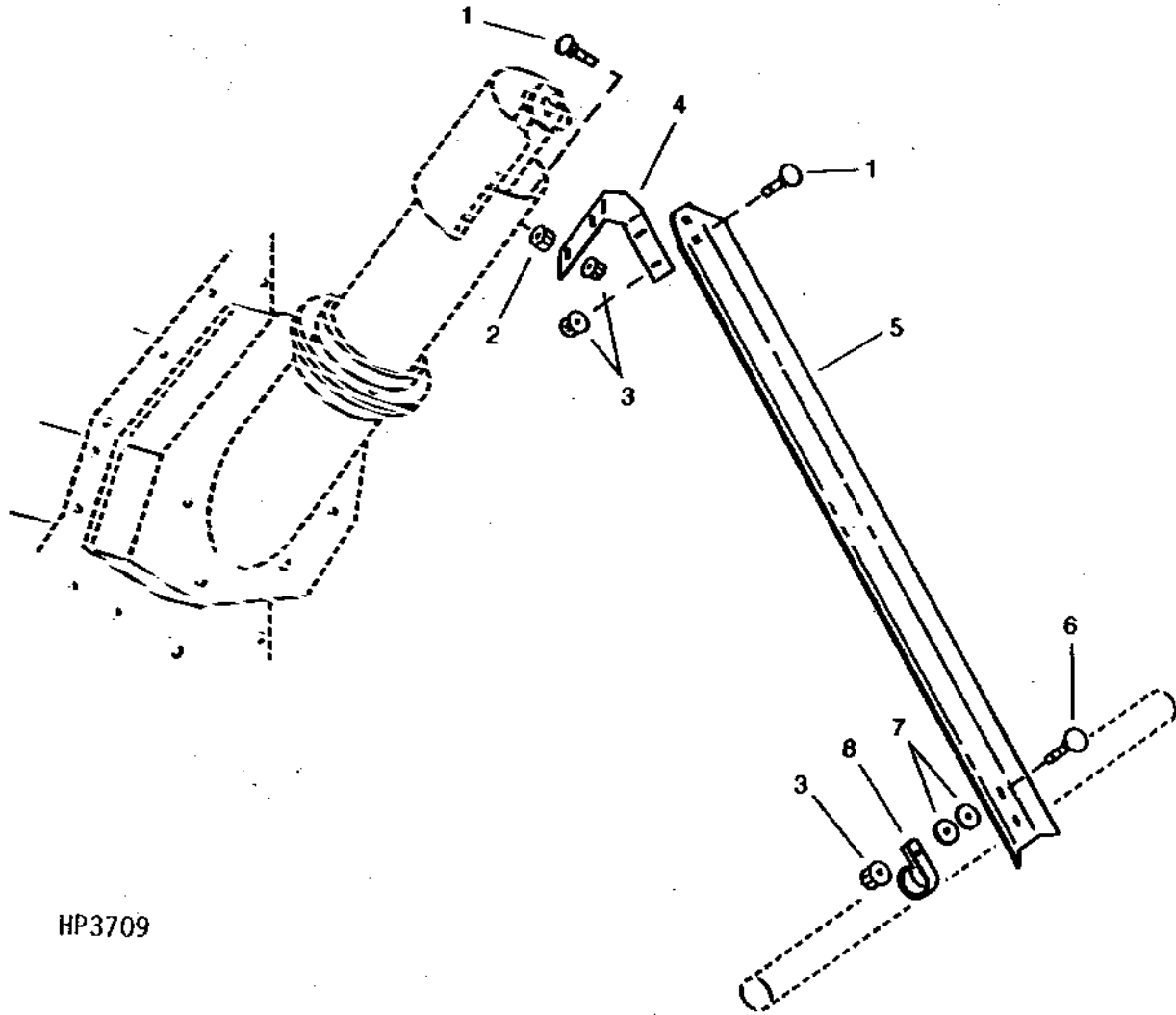
| KEY | PART NO. | PART NAME | QTY | SERIAL NO. | REMARKS |
|-----|----------|------------|-----|------------|------------------------------|
| 1 | 19M7866 | SCREW | 1 | -671188 | M8 X 20 |
| | 19M7867 | SCREW | 1 | 671189- | |
| 2 | 24M7207 | WASHER | 1 | -657159 | 8.400 X 24 X 2 MM |
| 3 | 28H1511 | WASHER | 1 | | 0.364" X 0.540" X 1/4" |
| 4 | AH116390 | GUIDE | 1 | | |
| 5 | 19M7865 | SCREW | 6 | | M8 X 16, (INTO WELDNUTS) |
| 6 | AH125556 | GUIDE | 1 | -650300 | (SUB AH152654) |
| 7 | AH128860 | SUPPORT | 1 | -650300 | (SUB AH152654) |
| 8 | 37M7058 | SCREW | 2 | 650301- | M8 X 20 |
| 9 | 21M7269 | WING SCREW | 2 | | M8 X 20 |
| 10 | 24M7207 | WASHER | 2 | | 8.400 X 24 X 2 MM |
| 11 | AH152654 | SUPPORT | 1 | | (SUB FOR AH142295) |
| 12 | 19M7785 | SCREW | 2 | | M10 X 25 |
| | 14M7296 | FLANGE NUT | 2 | | M10 |
| 13 | 45M7042 | PIN | 2 | | 12 X 50 MM |
| 14 | AH127604 | GUIDE | 1 | | FOR STRAW CHOPPER DRIVE BELT |
| 15 | 24M7047 | WASHER | 2 | | 13 X 24 X 2.500 MM |
| 16 | 11M7015 | COTTER PIN | 2 | | 3.200 X 25 MM |

MEMORANDA

9E4

CLEAN GRAIN ELEVATOR, GRAIN TANK AND UNLOADING AUGER

GRAIN TANK SAMPLING TROUGH
HP3709 -UN-01JAN94



HP3709

9E5

CLEAN GRAIN ELEVATOR, GRAIN TANK AND UNLOADING AUGER

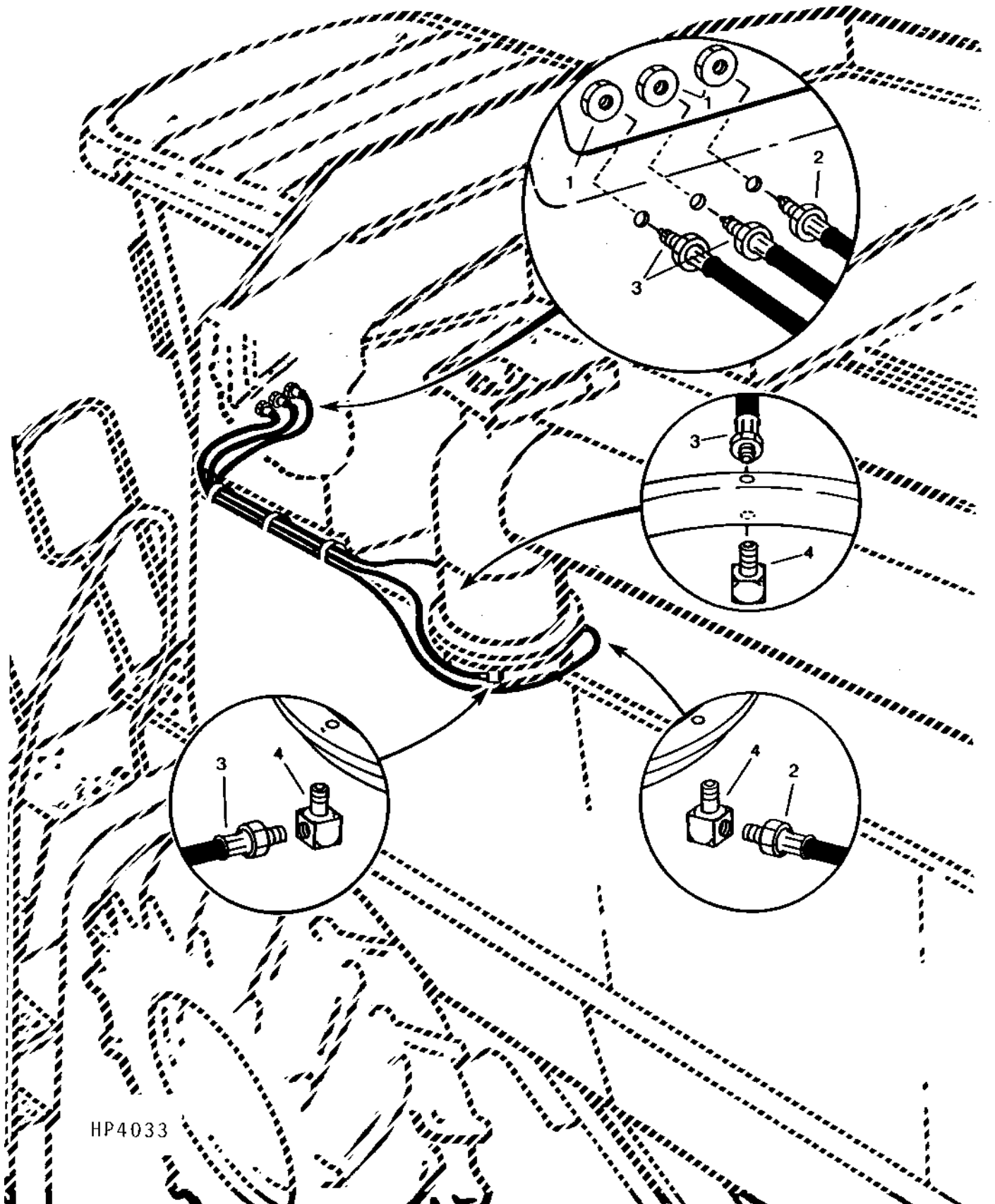
GRAIN TANK SAMPLING TROUGH - CONTINUED

| KEY | PART NO. | PART NAME | QTY | SERIAL NO. | REMARKS |
|-----|----------|-----------|-----|------------|---|
| 1 | 03M7184 | BOLT | 4 | | M8 X 20 |
| 2 | M84309 | NUT | 2 | | 7.925 MM (5/16") (SUB M84309) |
| 3 | 14M7396 | LOCK NUT | 4 | | M8 |
| 4 | H136306 | BRACKET | 1 | | |
| 5 | H136303 | TROUGH | 1 | | |
| 6 | 03M7188 | BOLT | 1 | | M8 X 40 |
| 7 | H28031 | WASHER | 2 | | 10.312 X 28.575 X 9.525 MM (13/32" X 1-1/8" X 3/8") |
| 8 | AH77714 | CLIP | 1 | | |

9E6

CLEAN GRAIN ELEVATOR, GRAIN TANK AND UNLOADING AUGER

UNLOADING AUGER UPPER LUBE BANK
HP4033 -UN-01JAN94



HP4033

9E7

CLEAN GRAIN ELEVATOR, GRAIN TANK AND UNLOADING AUGER

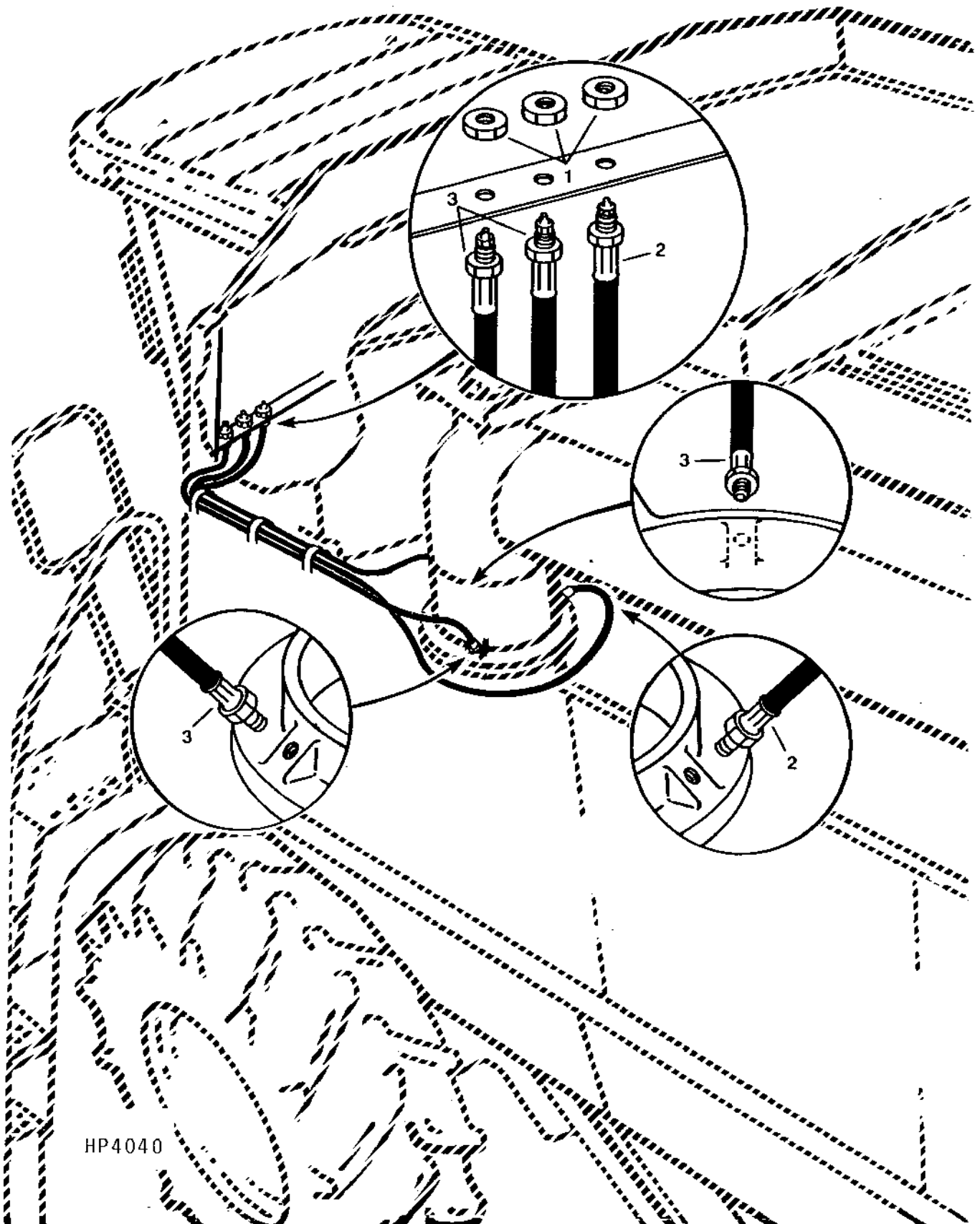
UNLOADING AUGER UPPER LUBE BANK - CONTINUED

| KEY | PART NO. | PART NAME | QTY | SERIAL NO. | REMARKS |
|-----|----------|---------------|-----|------------|----------------------------------|
| 1 | E12379 | NUT | 1 | | 3.175 MM (1/8") |
| 2 | AH136554 | HOSE | 1 | | 1/8" X 2 050 MM (80-3/4") X 1/8" |
| 3 | AH136553 | HOSE | 2 | | 1/8" X 1 600 MM (63") X 1/8" |
| 4 | JD7845 | ELBOW FITTING | 1 | -640300 | |

9E8

CLEAN GRAIN ELEVATOR, GRAIN TANK AND UNLOADING AUGER

UNLOADING AUGER LOWER LUBE BANK
HP4040 -UN-01JAN94



HP4040

9E9

CLEAN GRAIN ELEVATOR, GRAIN TANK AND UNLOADING AUGER

UNLOADING AUGER LOWER LUBE BANK - CONTINUED

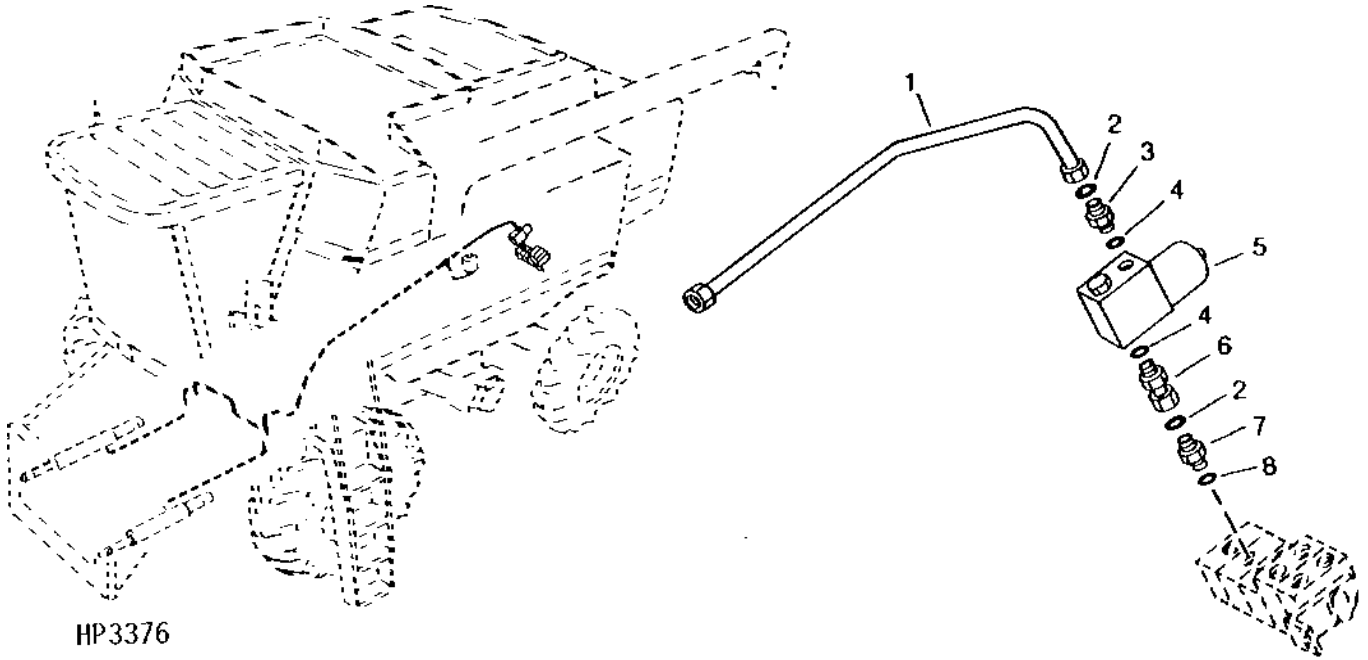
| KEY | PART NO. | PART NAME | QTY | SERIAL NO. | REMARKS |
|-----|----------|-----------|-----|------------|----------------------------------|
| 1 | E12379 | NUT | 1 | | 3.175 MM (1/8") |
| 2 | AH136554 | HOSE | 1 | | 1/8" X 2 050 MM (80-3/4") X 1/8" |
| 3 | AH136553 | HOSE | 2 | | 1/8" X 1 600 MM (63") X 1/8" |

MEMORANDA

MEMORANDA

**HYDRAULIC LINE AND VALVE BLOCK
(DIAL-A-MATIC HEADER HEIGHT CONTROL)**

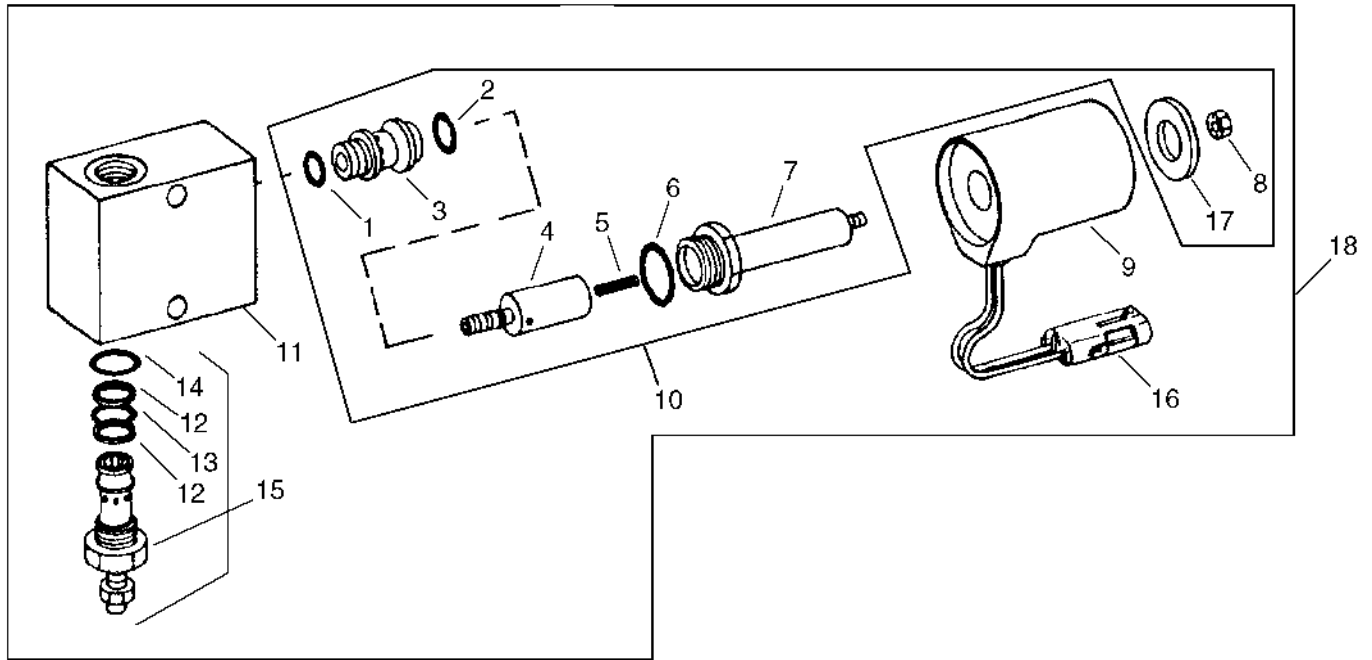
HP3376 -UN-01JAN94



| KEY | PART NO. | PART NAME | QTY | SERIAL NO. | REMARKS |
|-----|----------------|------------------------------------|----------|-------------------------------------|---------|
| 1 | AH128727 | HYDRAULIC LINE | 1 | | |
| 2 | T77857 | O-RING | 2 | 12.421 X 1.778 MM (0.489" X 0.070") | |
| 3 | 38H1161 | ADAPTER | 1 | | |
| 4 | R26375 | O-RING | 2 | 16.358 X 2.210 MM (0.644" X 0.087") | |
| 5 | AH125910 | SOLENOID VALVE | 1 | | |
| 6 | 38H1068 | ADAPTER | 1 | | |
| 7 | 38H1173 | ADAPTER | 1 | | |
| 8 | R26448 | O-RING | 1 | 11.887 X 1.981 MM (0.468" X 5/64") | |
| .. | BH78374 | COMPLETE GOODS/SHIP. BUNDLE | 1 | HORIZONTAL HEIGHT CONTROL | |

9E12

DIAL-A-MATIC HEADER HEIGHT CONTROL VALVE
 HP8033 -UN-21APR99



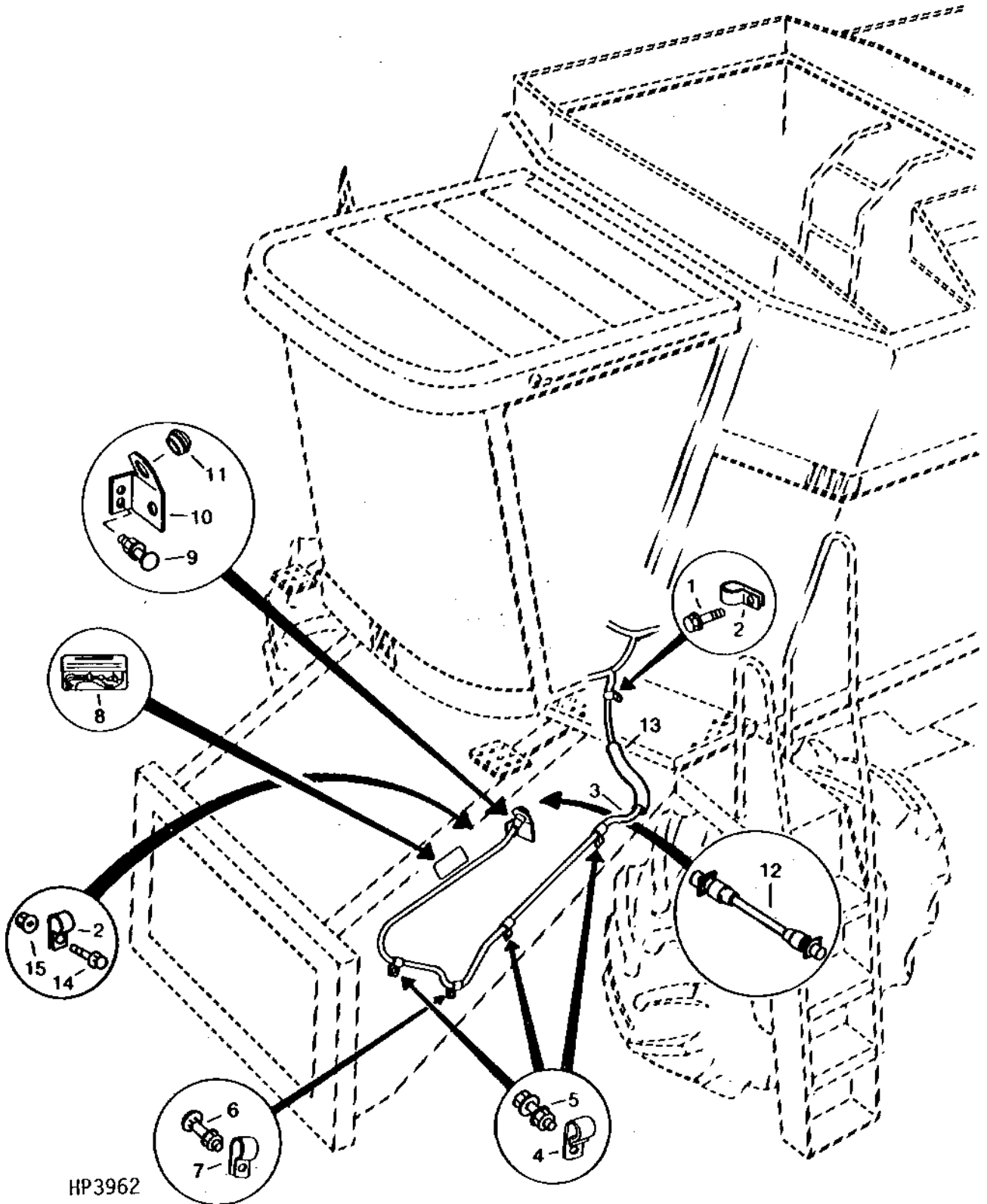
HP8033

| KEY | PART NO. | PART NAME | QTY | SERIAL NO. | REMARKS |
|-----|----------------|------------------------------------|----------|---------------------------|----------------------------------|
| 1 | R28776 | O-RING | 1 | | |
| 2 | T75984 | O-RING | 1 | | |
| 3 | | VALVE SPOOL | 1 | | |
| 4 | | PLUNGER | 1 | | |
| 5 | | SPRING | 1 | | |
| 6 | R27928 | O-RING | 1 | | |
| 7 | | GUIDE | 1 | | |
| 8 | 14H866 | NUT | 1 | 5/8" | |
| 9 | AH131572 | ELECTRICAL COIL | 1 | | |
| 10 | AH131571 | VALVE | 1 | | |
| 11 | H135964 | HOUSING | 1 | | |
| 12 | | BACK-UP RING | 2 | | |
| 13 | U15980 | O-RING | 1 | | |
| 14 | R26906 | O-RING | 1 | | |
| 15 | AH131570 | VALVE | 1 | | |
| 16 | R78053 | PIN CONTACT CONNECTOR BODY | 1 | | |
| | R78059 | ELECTRICAL PLUG | 1 | | |
| | R78061 | PIN CONTACT | 1 | | |
| 17 | 24H1368 | WASHER | 1 | 21/32" X 1-5/16" X 0.090" | |
| 18 | AH125910 | SOLENOID VALVE | 1 | | |
| .. | BH81084 | COMPLETE GOODS/SHIP. BUNDLE | 1 | | HORIZONTAL HEIGHT CONTROL |

9E13

DIAL-A-MATIC HEADER HEIGHT CONTROL

ELECTRICAL HARNESS
(DIAL-A-MATIC HEADER HEIGHT CONTROL)
HP3962 -UN-01JAN94



HP3962

9E14

DIAL-A-MATIC HEADER HEIGHT CONTROL

ELECTRICAL HARNESS - CONTINUED
(DIAL-A-MATIC HEADER HEIGHT CONTROL)

| KEY | PART NO. | PART NAME | QTY | SERIAL NO. | REMARKS |
|-----|----------|----------------|-----|---------------|--|
| 1 | 37M7083 | SCREW | 1 | | M8 X 12 |
| 2 | AH89557 | CLIP | 2 | | |
| 3 | AH134229 | WIRING HARNESS | 1 | 638116-642112 | (SUB FOR AH128406 OR AH134224) LH MAIN, ALSO REQS. ONE RE12363 |
| | AH152443 | WIRING HARNESS | 1 | | (SUB FOR AH134278, AH134295, AH134900 AND AH145022) |
| 4 | AH89557 | CLIP | 3 | -641842 | |
| 5 | 03M7189 | BOLT | 3 | | M8 X 45 |
| | 14M7298 | FLANGE NUT | 3 | | M8 |
| 6 | 03M7183 | BOLT | 1 | | M8 X 16 |
| | 14M7298 | FLANGE NUT | 1 | | M8 |
| 7 | AH89557 | CLIP | 1 | | |
| 8 | H137939 | LABEL | 1 | | (IMPORTANT) |
| 9 | 03M7183 | BOLT | 1 | | M8 X 16 |
| | 14M7298 | FLANGE NUT | 1 | | M8 |
| 10 | H134417 | BRACKET | 1 | | |
| 11 | H130520 | CAP | 1 | -645904 | (SUB H146306) |
| | H146306 | PLUG | 1 | | |
| 12 | AH128924 | WIRING HARNESS | 1 | | PIGTAIL TO CONNECT FEEDER HOUSE AND 200, 50, OR 50A SERIES ETC. ALSO REQUIRES AH89557 CLAMP, 19M7866 SCREW AND 14M7298 NUT |
| 13 | H132800 | HOSE | 1 | | SLEEVE FOR PROTECTION |
| 14 | 19M7866 | SCREW | 1 | | M8 X 20 |
| 15 | 14M7298 | FLANGE NUT | 1 | | M8 |

MEMORANDA

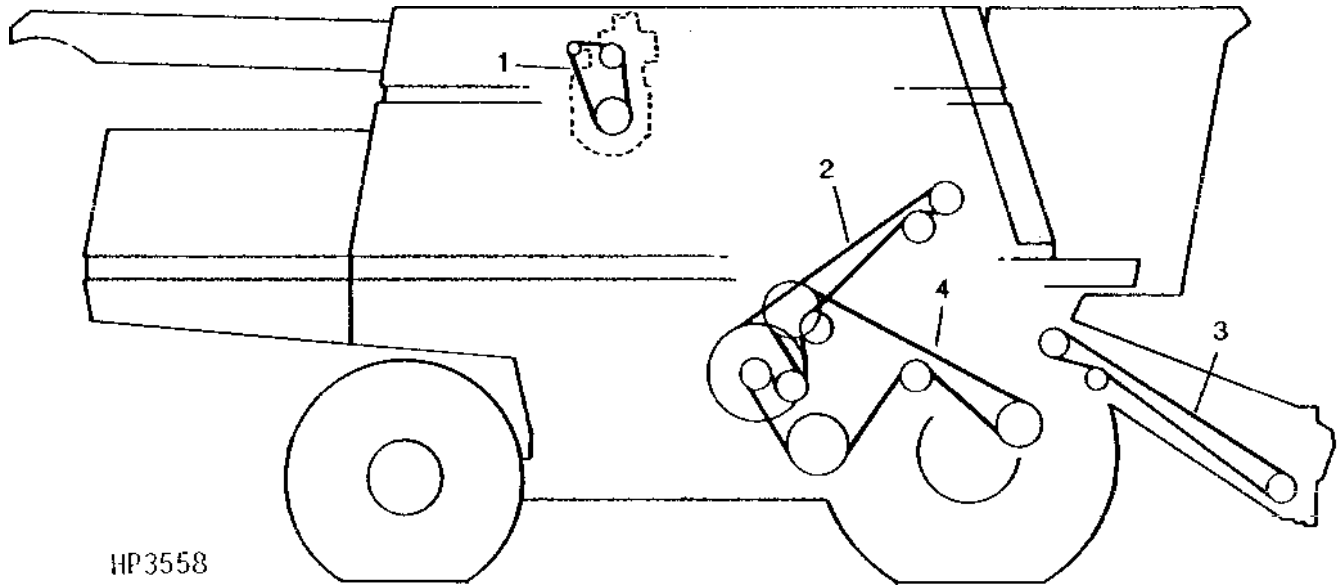
MEMORANDA

9E17

DECALS, BELTS AND CHAINS

ALTERNATOR, SECONDARY COUNTERSHAFT, FEEDER CONVEYOR, SHOE, STRAW WALKER AND CONVEYOR AUGERS

HP3558 -UN-01JAN94



HP3558

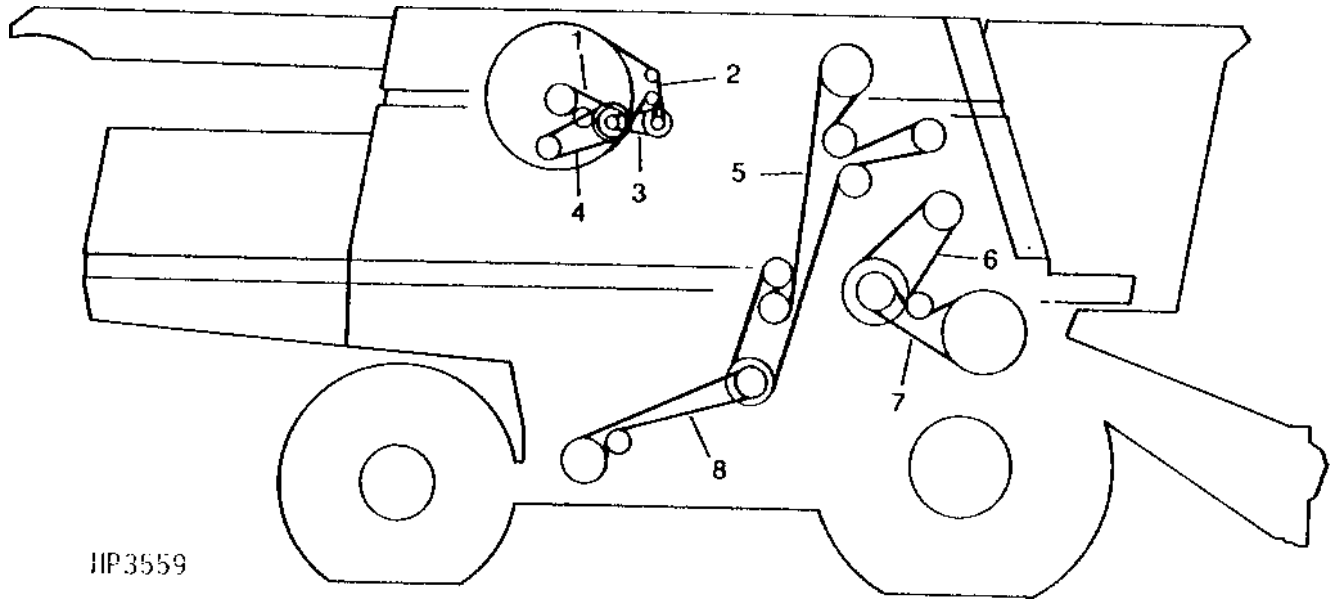
| KEY | PART NO. | PART NAME | QTY | SERIAL NO. | REMARKS |
|-----|----------|------------|-----|---------------|--|
| 1 | RE44538 | BELT | 1 | 630401-631200 | |
| | R73189 | BELT | 1 | 635301-643000 | 12.700 X 1 096 MM (1/2" X 43.150") |
| | H101813 | BELT | 1 | 645301- | 12.700 X 1 479.550 MM (1/2" X 58-1/4") |
| 2 | H128010 | BELT | 1 | | SECONDARY COUNTERSHAFT |
| 3 | AH145029 | LINK CHAIN | 1 | | FEEDER CONVEYOR CHAIN (ROLLER, TYPE 60, 19MM (3/4"); 219 LINKS |
| 4 | H131169 | BELT | 1 | | SHOE, STRAW WALKER AND CONVEYOR AUGERS |

9E18

DECALS, BELTS AND CHAINS

COOLING FAN, ROTARY SCREEN, AIR CONDITIONING, CLEAN GRAIN ELEVATOR, CYLINDER INTERMEDIATE DRIVE,
CYLINDER DRIVE AND LOWER TAILINGS AUGER AND ELEVATOR

HP3559 -UN-01JAN94



HP3559

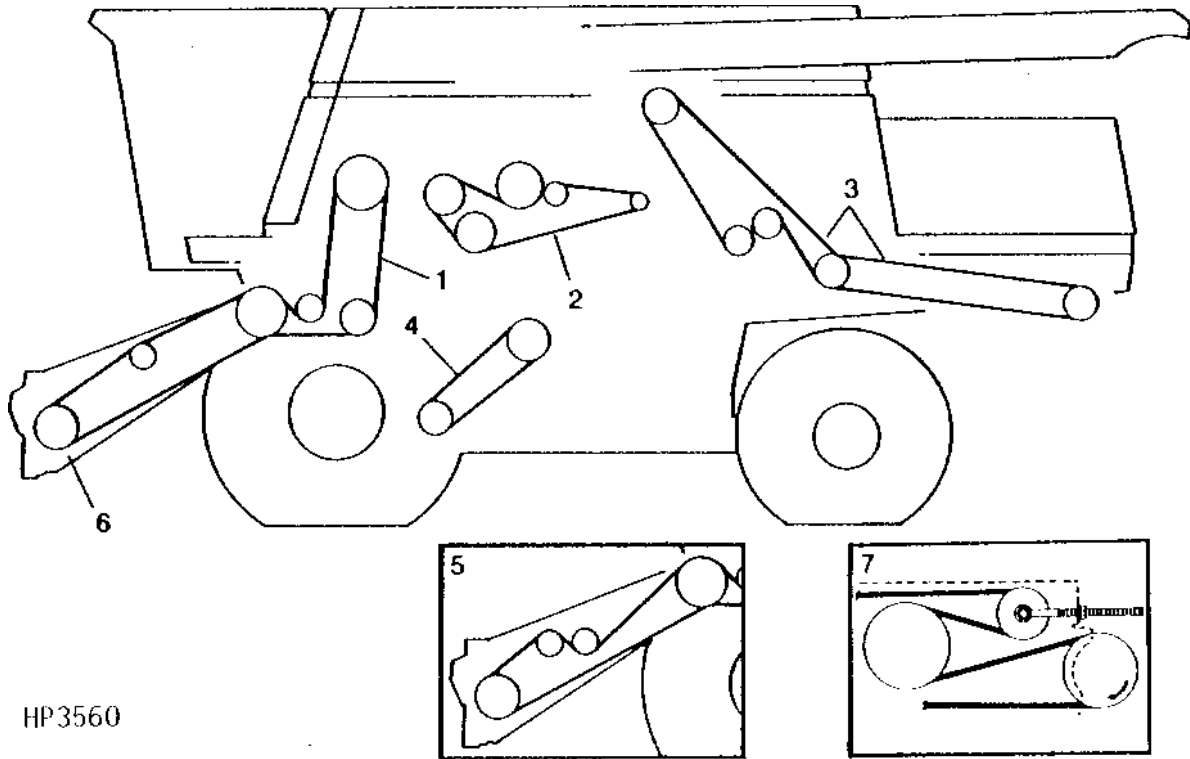
| KEY | PART NO. | PART NAME | QTY | SERIAL NO. | REMARKS |
|-----|----------|-----------|-----|---------------|--|
| 1 | H132808 | BELT | 1 | -641716 | COOLING FAN |
| | AH140623 | BELT | 1 | 641717-662523 | (SUB H153297) |
| | H153297 | BELT | 1 | | COOLING FAN |
| 2 | H133576 | BELT | 1 | -636583 | (SUB H143869) |
| | H143869 | BELT | 1 | 636635-641716 | |
| | H145158 | BELT | 1 | 641717- | |
| 3 | H133577 | BELT | 1 | -641921 | ROTARY SCREEN DRIVE |
| | H146636 | BELT | 1 | 641922- | |
| 4 | H134437 | BELT | 1 | 630201-631300 | 12.700 X 1 470 MM (1/2" X 57.874") AIR |
| | H81742 | BELT | 1 | 635301-647500 | CONDITIONING COMPRESSOR |
| 5 | H80896 | BELT | 1 | 647501- | 12.700 X 1 346.200 MM (1/2" X 53") |
| | H135458 | BELT | 1 | | 12.700 X 1 422.500 MM (1/2" X 56.004") |
| 6 | H141166 | BELT | 1 | 640301- | CLEAN GRAIN ELEVATOR |
| | H115759 | BELT | 1 | | CLEAN GRAIN ELEVATOR |
| 7 | H162629 | BELT | 1 | | (SUB H162629) CYLINDER INTERMEDIATE DRIVE |
| | H115881 | BELT | 1 | | CYLINDER DRIVE REGULAR DUAL-RANGE AND SINGLE RANGE |
| 8 | H118618 | BELT | 1 | | CYLINDER DRIVE SLOW SPEED |
| | N110085 | BELT | 1 | | LOWER TAILINGS AUGER AND ELEVATOR |

9E19

DECALS, BELTS AND CHAINS

HEADER AND REEL PUMP, UNLOADING AUGERS, STRAW CHOPPER, CLEANING FAN, FEEDER HOUSE AND STRAW SPREADER (LEFT-HAND DRIVES)

HP3560 -UN-01JAN94



HP3560

| KEY | PART NO. | PART NAME | QTY | SERIAL NO. | REMARKS |
|-----|----------|------------|-----|------------|---|
| 1 | H125565 | BELT | 1 | -635300 | |
| | H140160 | BELT | 1 | 635301- | |
| 2 | AH126837 | LINK CHAIN | 1 | | ROLLER, TYPE 60H - 19 MM (3/4") PITCH, 198 LINKS (REGULAR SPEED) |
| | AH146359 | LINK CHAIN | 1 | | (SUB FOR AH140004) ROLLER, TYPE 60H - 19 MM (3/4") PITCH, 206 LINKS (SLOW DOWN SPEED) |
| 3 | H125380 | BELT | 1 | | FRONT |
| | P47885 | BELT | 1 | -641838 | (SUB H23950) CHOPPER IN WINDROW OR FORWARD POSITION |
| | H23950 | BELT | 1 | | CHOPPER IN WINDROW OR FORWARD POSITION |
| | H125381 | BELT | 1 | | CHOPPER IN REAR (OPERATING) POSITION |
| 4 | H137264 | BELT | 1 | | SLOW SPEED |
| | H140404 | BELT | 1 | | (SUB FOR H135417) STD. SPEED |
| 5 | H126345 | BELT | 1 | | FIXED SPEED FEEDER HOUSE WITH REVERSER |
| 6 | H125711 | BELT | 1 | | VARIABLE SPEED FEEDER HOUSE |
| 7 | H128234 | BELT | 1 | | STRAW SPREADER |

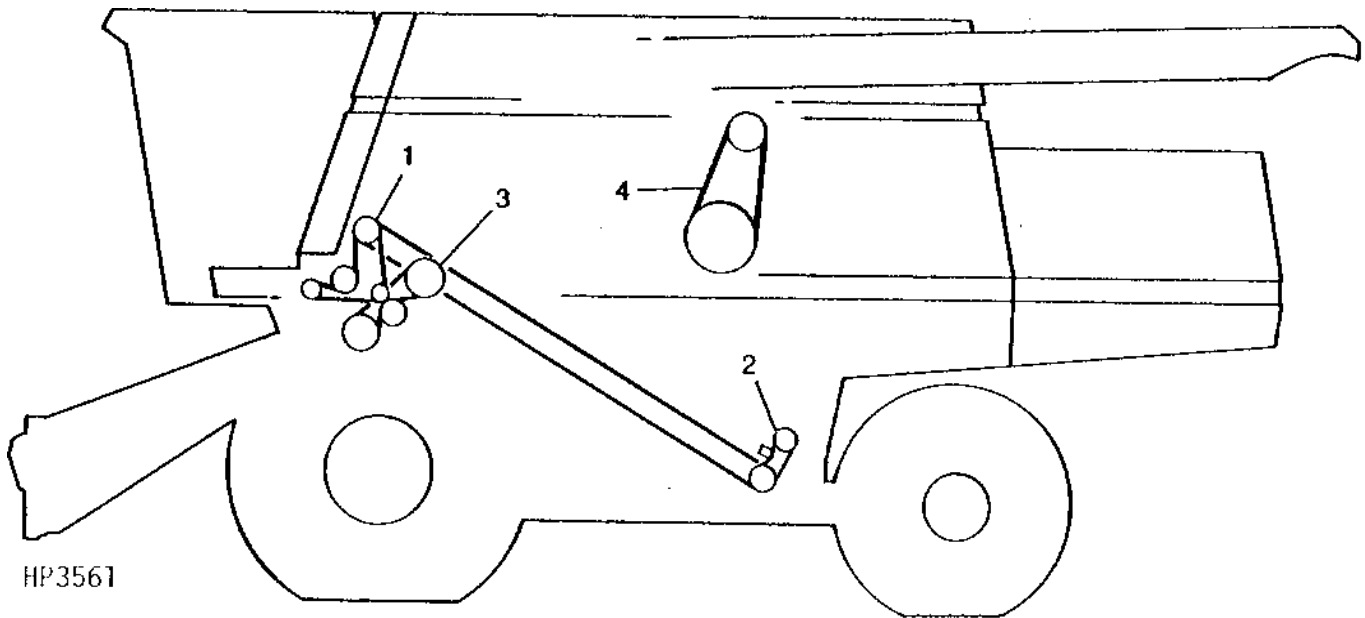
9E20

DECALS, BELTS AND CHAINS

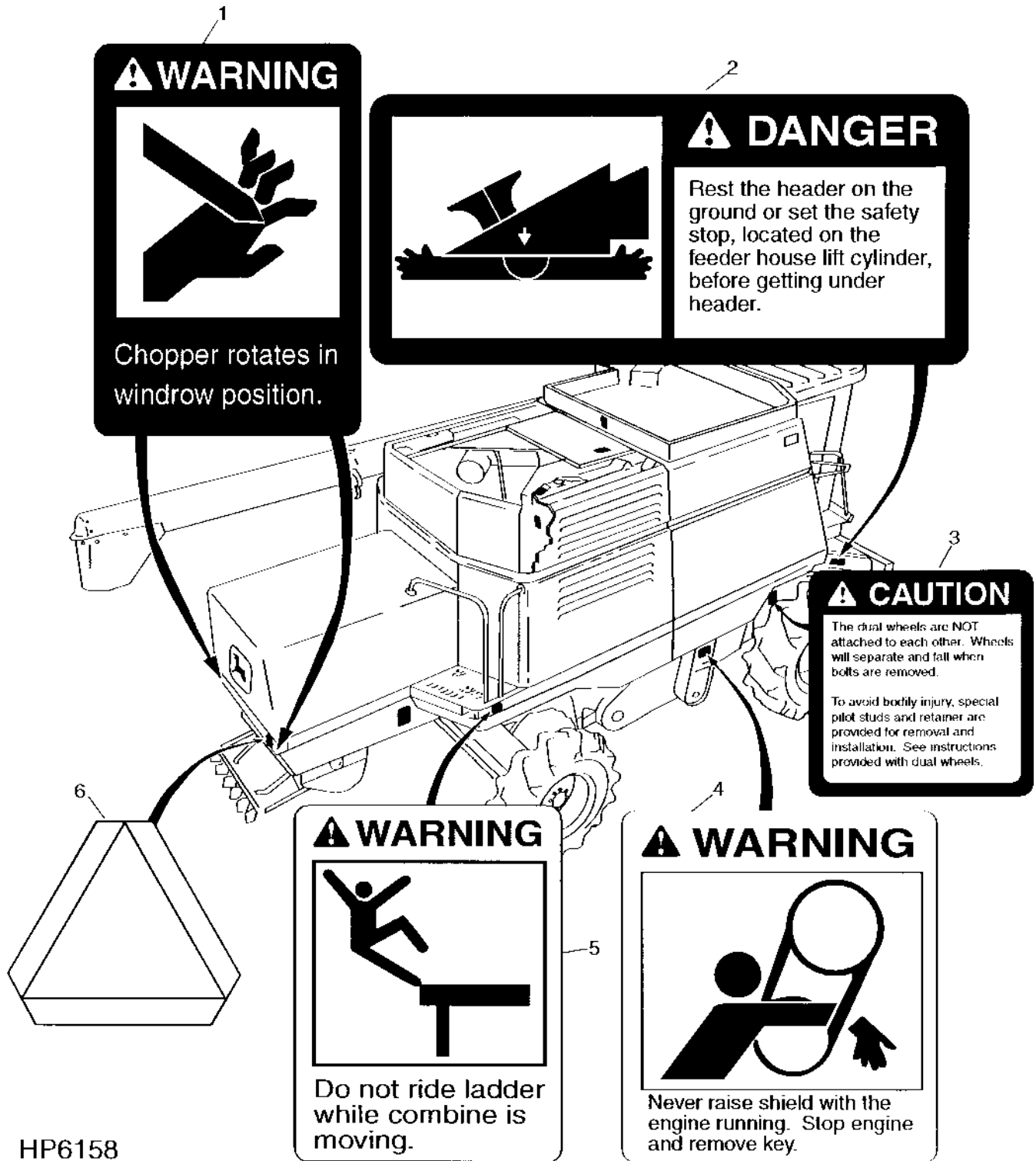
TAILINGS AUGER, BEATER AND UNLOADING SYSTEM BELTS AND CHAINS

LEFT-HAND SIDE

HP3561 -UN-01JAN94



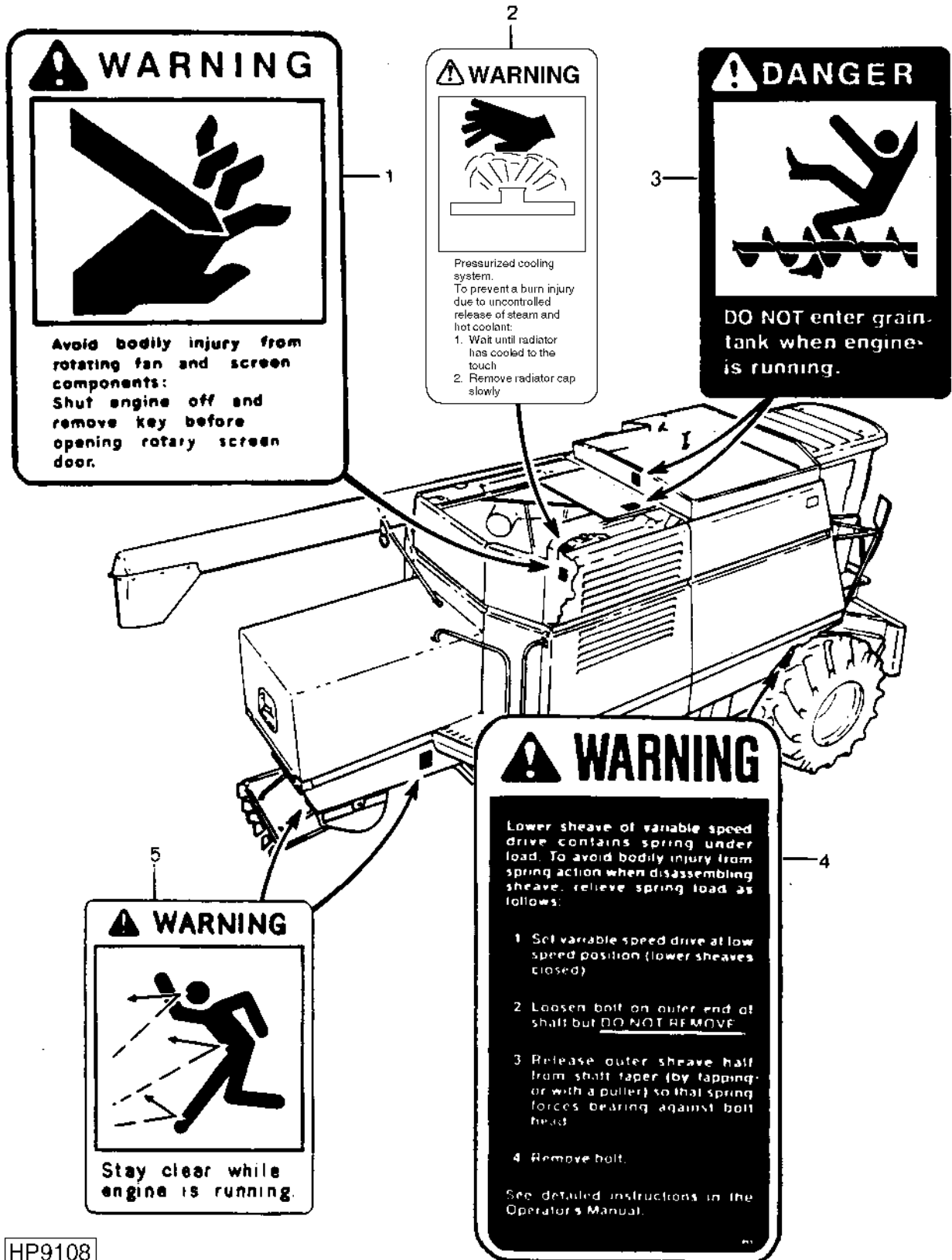
| KEY | PART NO. | PART NAME | QTY | SERIAL NO. | REMARKS |
|-----|----------|--------------|-----|------------|---|
| 1 | | ROLLER CHAIN | 1 | | UPPER TAILINGS AUGER. ROLLER, TYPE 50, 16MM (5/8") PITCH, 123 LINKS, (ASSEMBLE FROM AH18482 OR AP22459 AND (1) P20351) |
| 2 | | ROLLER CHAIN | 1 | | LOWER TAILINGS AUGER. ROLLER, TYPE 50, 16MM (5/8") PITCH, 43 LINKS. (ASSEMBLE FROM AN18482 OR AP22459, (1) P20351 AND (1) P20352) |
| 3 | AH120918 | BELT | 1 | | (SUB AH139436) FOR 100° BEATER DRIVE |
| | AH139436 | BELT SET | 1 | | FOR 100° BEATER DRIVE |
| | AH131960 | BELT | 1 | | (SUB AH163931) FOR 75° BEATER DRIVE |
| | AH163931 | BELT | 1 | | FOR 75° BEATER DRIVE |
| 4 | AH158880 | BELT SET | 1 | | (SUB FOR AH127866) UNLOADING SYSTEM |



SAFETY DECALS AND LOCATIONS - CONTINUED

| KEY | PART NO. | PART NAME | QTY | SERIAL NO. | REMARKS |
|-----|----------|------------|-----|------------|--|
| 1 | H149102 | DECAL | 1 | | CHOPPER |
| 2 | H149063 | LABEL | 1 | | HEADER |
| 3 | H122573 | DECAL | 1 | -671384 | DUAL WHEELS |
| | H158975 | DECAL | 1 | 671385- | |
| 4 | H149099 | DECAL | 1 | | CLEAN GRAIN ELEVATOR |
| 5 | H149064 | LABEL | 1 | | LADDER |
| 6 | JD5401 | SMV EMBLEM | 1 | -662207 | (SUB JD5400) SMV (SLOW MOVING VEHICLE) |
| | JD5400 | SMV EMBLEM | 1 | | SMV (SLOW MOVING VEHICLE) |

SAFETY DECALS AND LOCATIONS
HP9108 -UN-04JAN99



HP9108

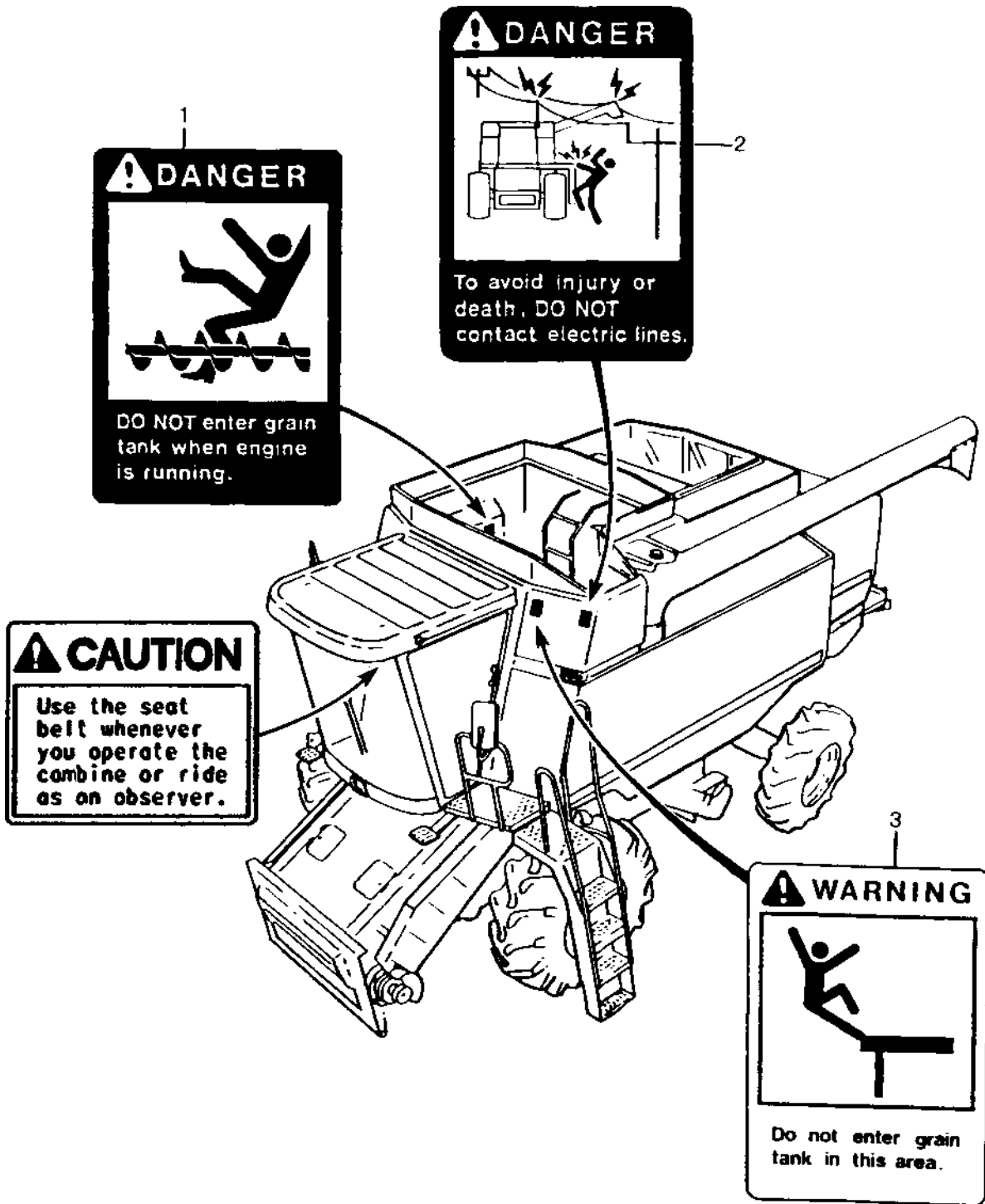
9E24

DECALS, BELTS AND CHAINS

SAFETY DECALS AND LOCATIONS - CONTINUED

| KEY | PART NO. | PART NAME | QTY | SERIAL NO. | REMARKS |
|-----|----------|-----------|-----|------------|--|
| 1 | H149088 | DECAL | 1 | | FAN AND ROTARY SCREEN |
| 2 | H169344 | DECAL | 1 | | (SUB FOR A2913R) PRESSURE COOLING SYSTEM |
| 3 | H149062 | DECAL | 2 | | GRAIN TANK |
| 4 | H149037 | DECAL | 1 | | VARIABLE CYLINDER DRIVE |
| 5 | H149096 | LABEL | 2 | | PROJECTILE |

SAFETY DECALS AND LOCATIONS
HP6221 -UN-04JAN96



HP6221

9F2

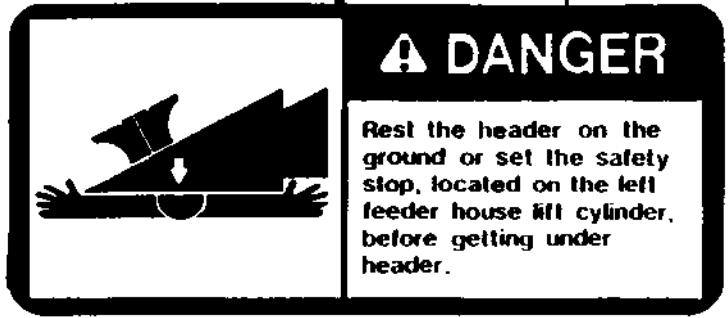
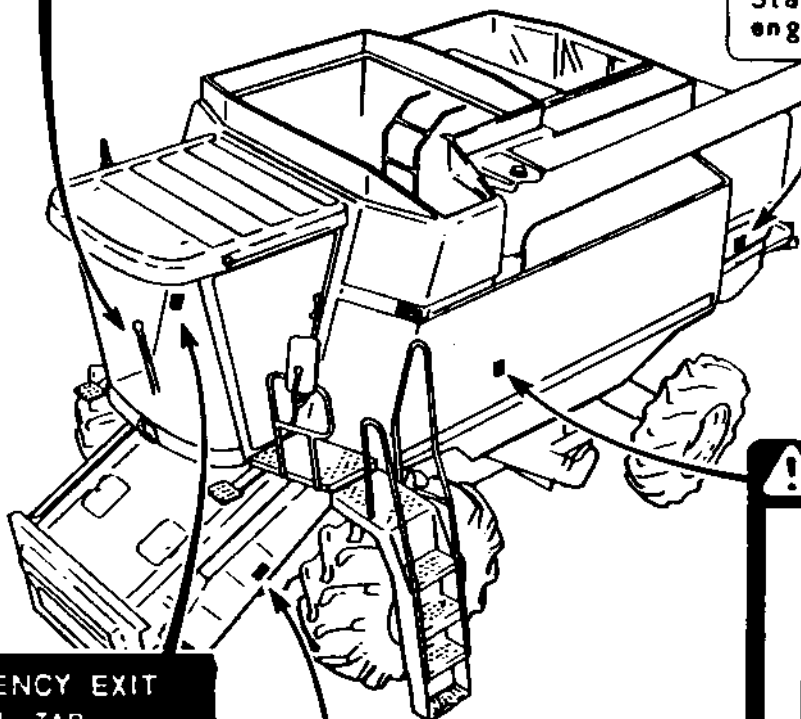
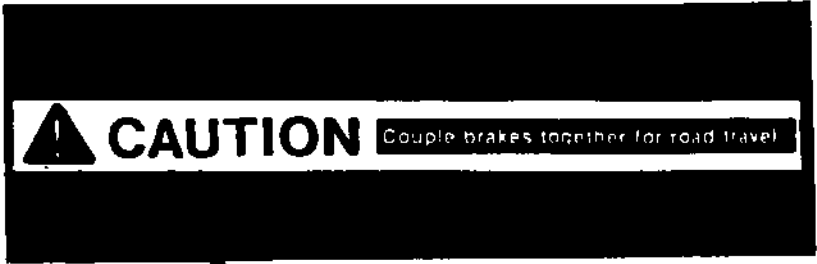
DECALS, BELTS AND CHAINS

SAFETY DECALS AND LOCATIONS - CONTINUED

| KEY | PART NO. | PART NAME | QTY | SERIAL NO. | REMARKS |
|-----|----------|-----------|-----|------------|-------------|
| 1 | H149062 | DECAL | 1 | | GRAIN TANK |
| 2 | H149090 | LABEL | 1 | | POWERLINE |
| 3 | H149065 | LABEL | 2 | | FRONT ENTRY |
| 4 | H155510 | SIGN | 1 | 665301- | SEATBELT |

9F3

SAFETY DECALS AND LOCATIONS
HP6162 -19-07SEP95



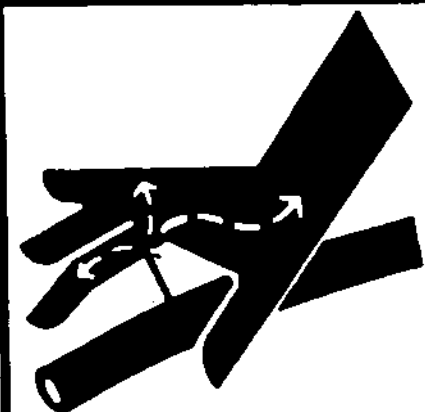
HP6162

9F4

DECALS, BELTS AND CHAINS

SAFETY DECALS AND LOCATIONS - CONTINUED

| KEY | PART NO. | PART NAME | QTY | SERIAL NO. | REMARKS |
|-----|----------|-----------|-----|------------|------------|
| 1 | H149068 | LABEL | 1 | | BRAKE |
| 2 | H149096 | LABEL | 1 | | PROJECTILE |
| 3 | H149066 | LABEL | 1 | | AUGER |
| 4 | H149063 | LABEL | 1 | | HEADER |
| 5 | H134535 | LABEL | 1 | | EXIT |



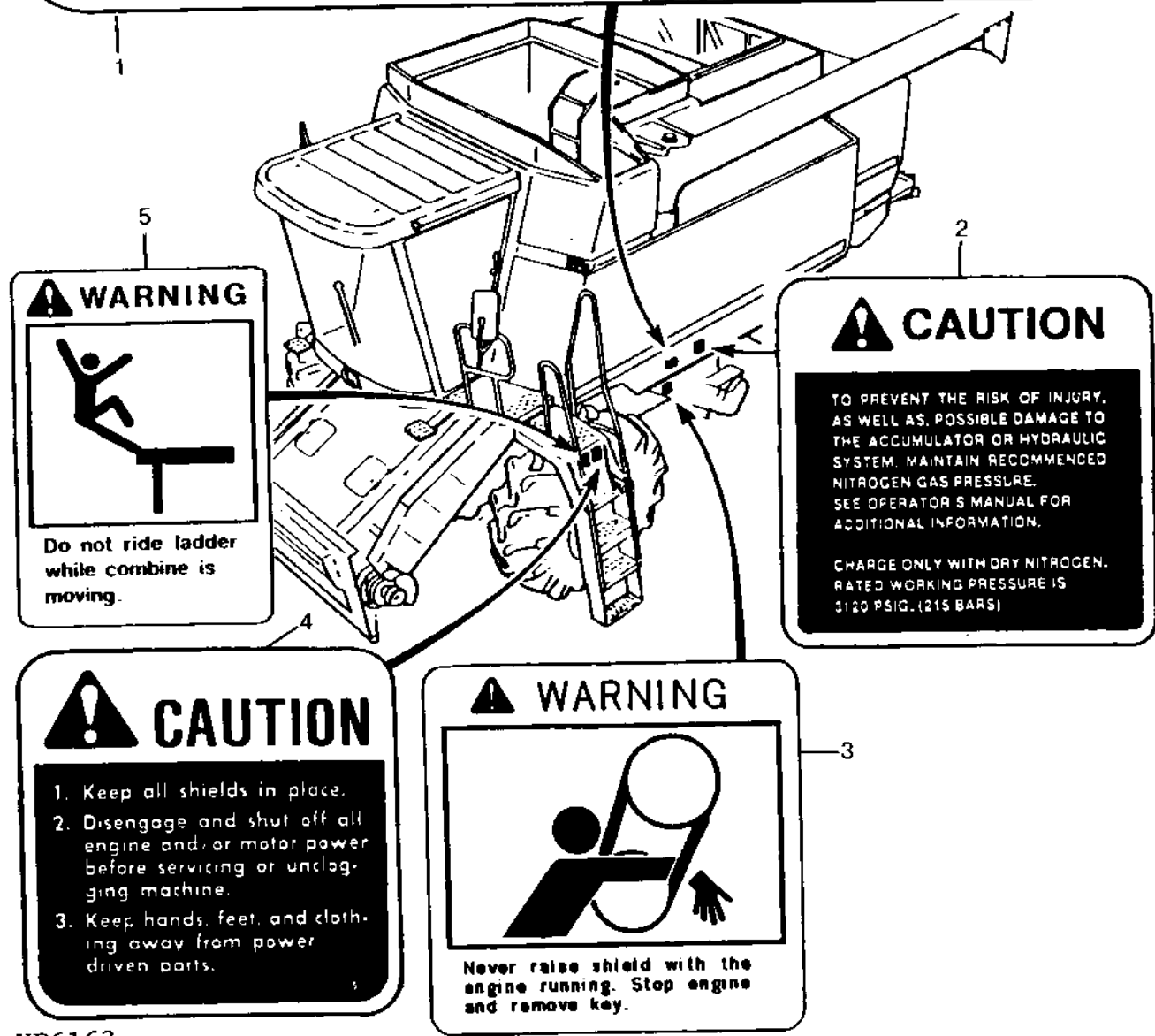
⚠ WARNING

Avoid bodily injuries from hydraulic oil and gas under pressure.

Before removing or charging accumulator

1. With feederhouse or header on the ground or in a supported position, open hand valve.
2. Start engine and hold header height control to lower position for 5 seconds to relieve system hydraulic pressure.
3. Stop engine.

Use only DRY NITROGEN for recharging accumulator.
See your John Deere dealer.



⚠ WARNING



Do not ride ladder while combine is moving.

⚠ CAUTION

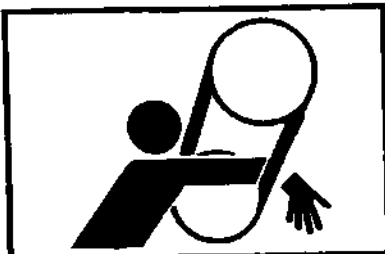
TO PREVENT THE RISK OF INJURY, AS WELL AS POSSIBLE DAMAGE TO THE ACCUMULATOR OR HYDRAULIC SYSTEM, MAINTAIN RECOMMENDED NITROGEN GAS PRESSURE. SEE OPERATOR'S MANUAL FOR ADDITIONAL INFORMATION.

CHARGE ONLY WITH DRY NITROGEN. RATED WORKING PRESSURE IS 3120 PSIG. (215 BARS)

⚠ CAUTION

1. Keep all shields in place.
2. Disengage and shut off all engine and/or motor power before servicing or unclagging machine.
3. Keep hands, feet, and clothing away from power driven parts.

⚠ WARNING



Never raise shield with the engine running. Stop engine and remove key.

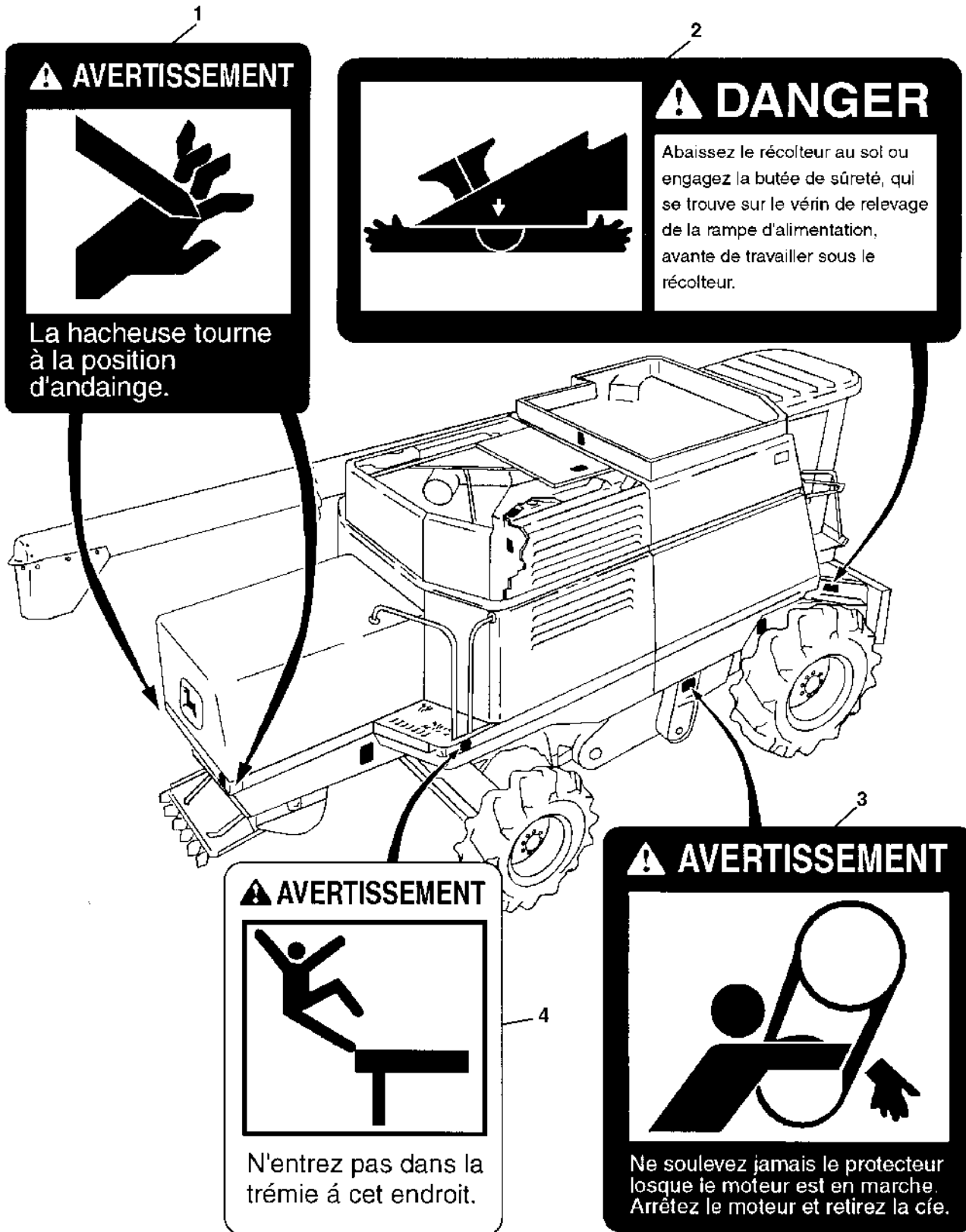
HP6163

9F6

DECALS, BELTS AND CHAINS

SAFETY DECALS AND LOCATIONS - CONTINUED

| KEY | PART NO. | PART NAME | QTY | SERIAL NO. | REMARKS |
|-----|----------|-----------|-----|------------|----------------------|
| 1 | H149067 | LABEL | 1 | | ACCUMULATOR |
| 2 | H149092 | LABEL | 1 | | ACCUMULATOR |
| 3 | H149099 | DECAL | 1 | | CLEAN GRAIN ELEVATOR |
| 4 | E82510 | LABEL | 1 | | SEPARATOR |
| 5 | H149064 | LABEL | 1 | | LADDER |



HP6583

9F8

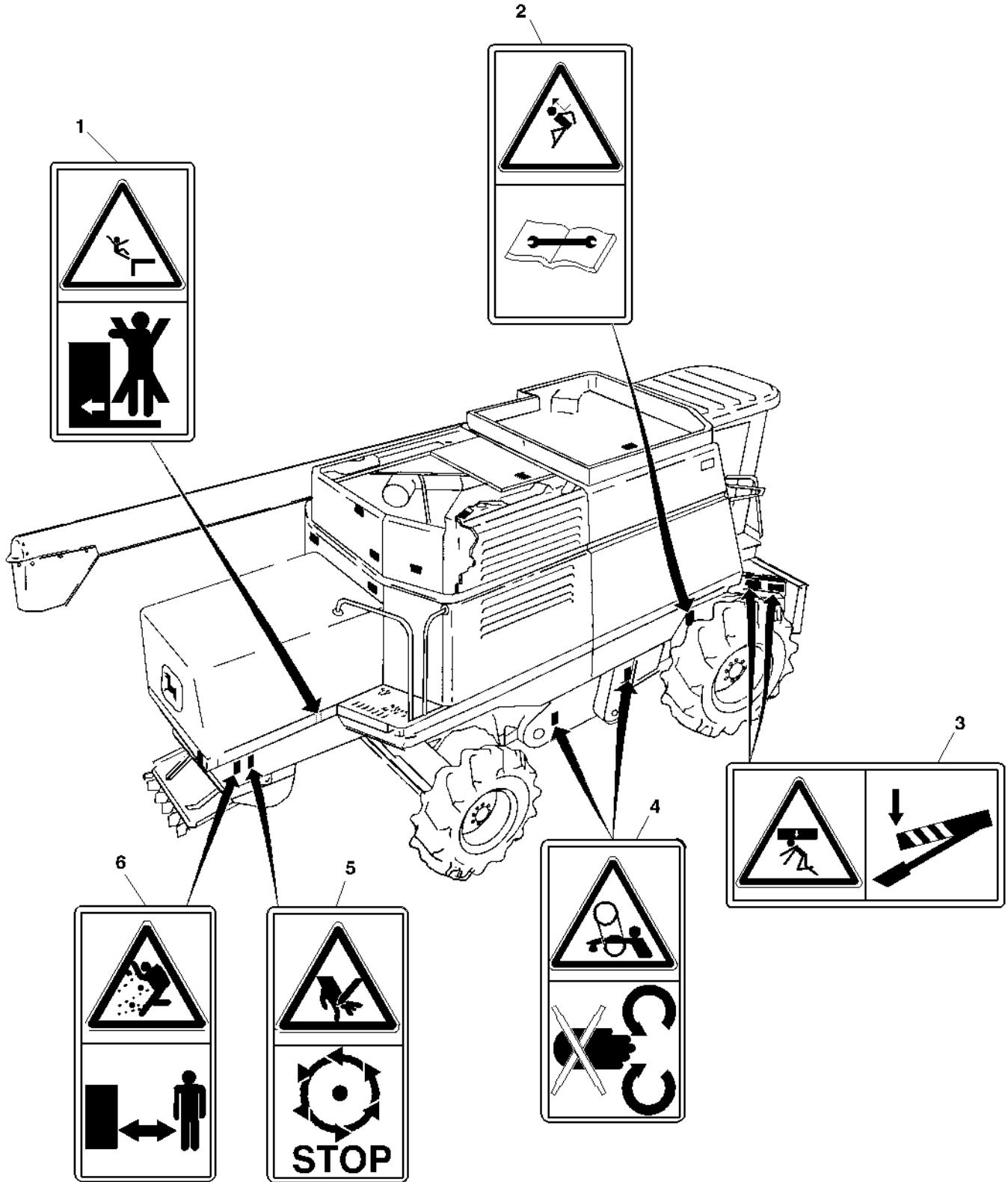
DECALS, BELTS AND CHAINS

SAFETY DECALS AND LOCATIONS - FRENCH (-666172) - CONTINUED

| KEY | PART NO. | PART NAME | QTY | SERIAL NO. | REMARKS |
|-----|----------|-----------|-----|------------|----------------------|
| 1 | H149103 | DECAL | 2 | | CHOPPER |
| 2 | H149077 | DECAL | 1 | | HEADER |
| 3 | H149100 | LABEL | 1 | | CLEAN GRAIN ELEVATOR |
| 4 | H149074 | LABEL | 1 | | LADDER |
| .. | AH135254 | LABEL KIT | 1 | | |

9F9

SAFETY DECALS AND LOCATIONS - FRENCH (666173-)
HP6584 -28-20JAN97



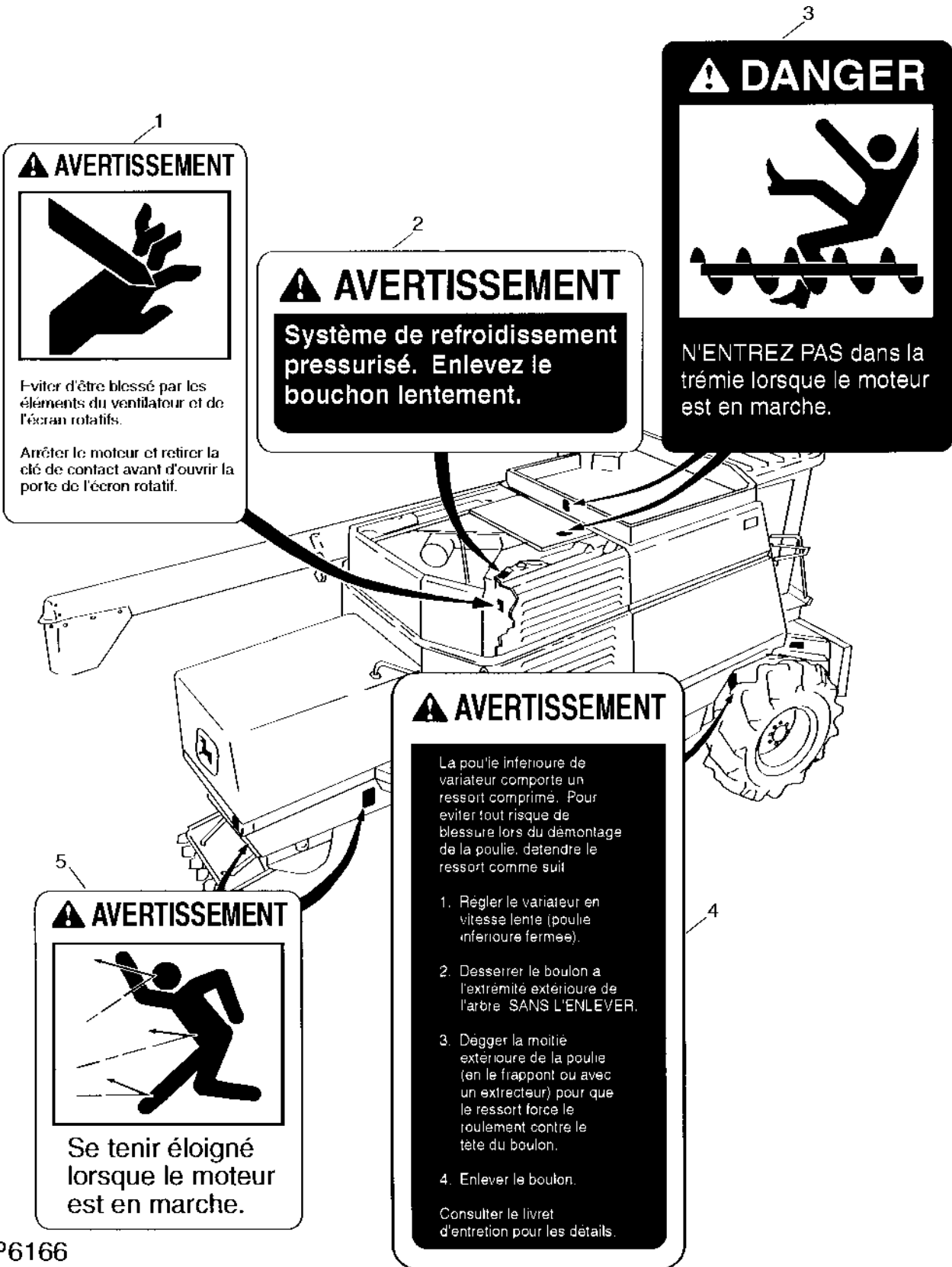
HP6584

9F10

DECALS, BELTS AND CHAINS

SAFETY DECALS AND LOCATIONS - FRENCH (666173-) - CONTINUED

| KEY | PART NO. | PART NAME | QTY | SERIAL NO. | REMARKS |
|-----|----------|-----------|-----|------------|-----------------|
| 1 | L64995 | LABEL | 1 | | |
| 2 | H152238 | MEDALLION | 1 | | CYLINDER SPRING |
| 3 | H151671 | LABEL | 2 | | REEL LIFT |
| 4 | Z60326 | LABEL | 2 | | |
| 5 | Z59868 | LABEL | 1 | | |
| 6 | Z60329 | LABEL | 1 | | |



AVERTISSEMENT

Éviter d'être blessé par les éléments du ventilateur et de l'écran rotatifs.

Arrêter le moteur et retirer la clé de contact avant d'ouvrir la porte de l'écran rotatif.

AVERTISSEMENT

Système de refroidissement pressurisé. Enlevez le bouchon lentement.

DANGER

N'ENTREZ PAS dans la trémie lorsque le moteur est en marche.

AVERTISSEMENT

La poulie inférieure de variateur comporte un ressort comprimé. Pour éviter tout risque de blessure lors du démontage de la poulie, détendre le ressort comme suit

1. Régler le variateur en vitesse lente (poulie inférieure fermée).
2. Desserrer le boulon à l'extrémité extérieure de l'arbre SANS L'ENLEVER.
3. Décaler la moitié extérieure de la poulie (en le frappant ou avec un extracteur) pour que le ressort force le roulement contre le tête du boulon.
4. Enlever le boulon.

Consulter le livret d'entretien pour les détails.

AVERTISSEMENT

Se tenir éloigné lorsque le moteur est en marche.

HP6166

9F12

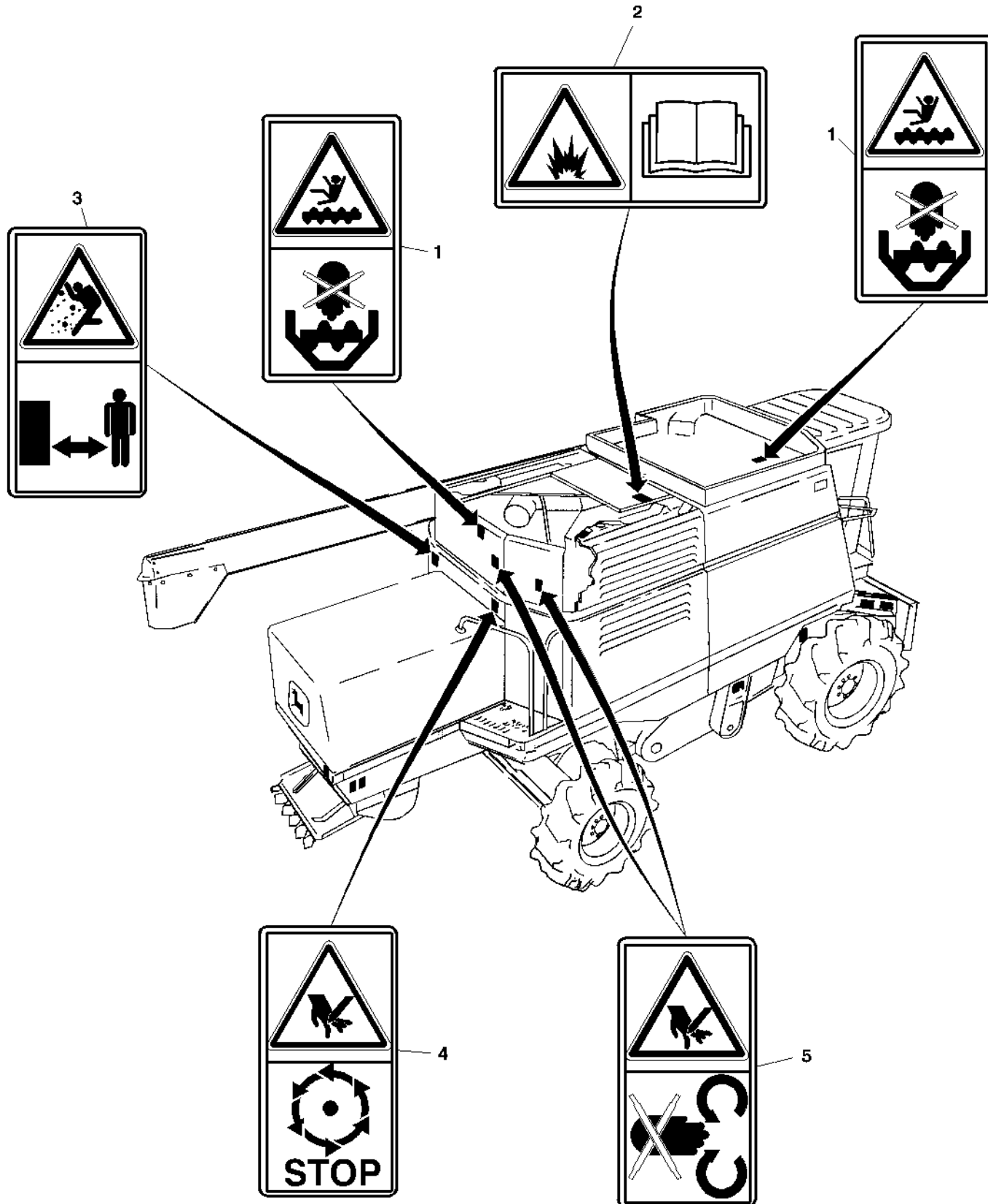
DECALS, BELTS AND CHAINS

SAFETY DECALS AND LOCATIONS - FRENCH - (-666172) - CONTINUED

| KEY | PART NO. | PART NAME | QTY | SERIAL NO. | REMARKS |
|-----|----------|-----------|-----|------------|---|
| 1 | H149089 | SIGN | 1 | | FAN AND ROTARY SCREEN |
| 2 | H170105 | LABEL | 1 | | (SUB FOR H149046) PRESSURE COOLING SYSTEM |
| 3 | H149076 | DECAL | 2 | | GRAIN TANK |
| 4 | H149040 | DECAL | 1 | | VARIABLE CYLINDER DRIVE |
| 5 | H149097 | LABEL | 2 | | PROJECTILE |
| .. | AH135254 | LABEL KIT | 1 | | |

9F13

SAFETY DECALS AND LOCATIONS - FRENCH (666173-)
HP6582 -28-20JAN97



HP6582

9F14

DECALS, BELTS AND CHAINS

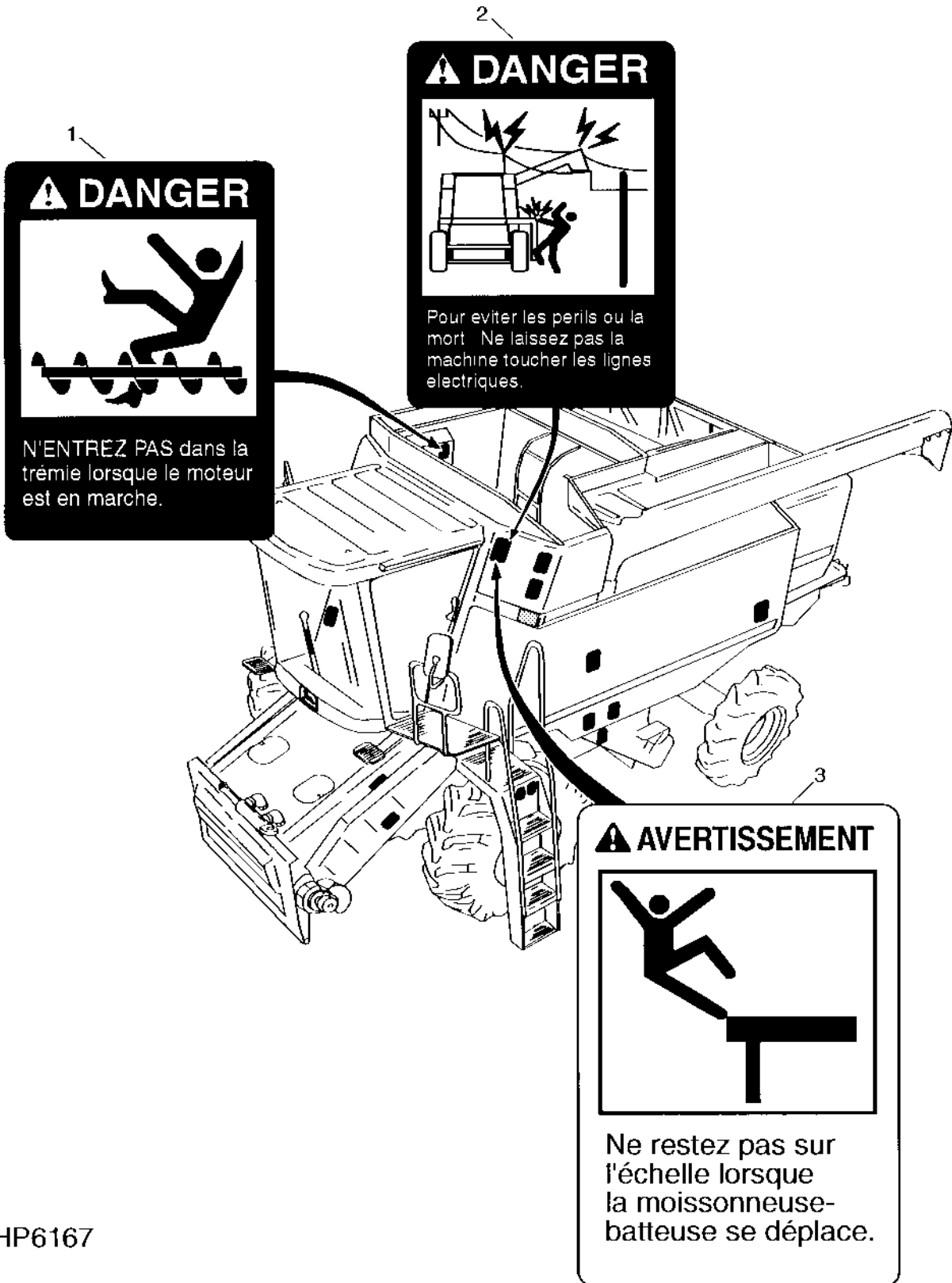
SAFETY DECALS AND LOCATIONS - FRENCH (666173-) - CONTINUED

| KEY | PART NO. | PART NAME | QTY | SERIAL NO. | REMARKS |
|-----|----------|-----------|-----|------------|----------|
| 1 | Z60327 | LABEL | 2 | | |
| 2 | H152240 | MEDALLION | 1 | | RADIATOR |
| 3 | Z60329 | LABEL | 1 | | |
| 4 | Z59868 | LABEL | 1 | | |
| 5 | Z60332 | LABEL | 2 | | |

9F15

DECALS, BELTS AND CHAINS

SAFETY DECALS AND LOCATIONS - FRENCH (-666172)
HP6167 -28-20SEP95



HP6167

9F16

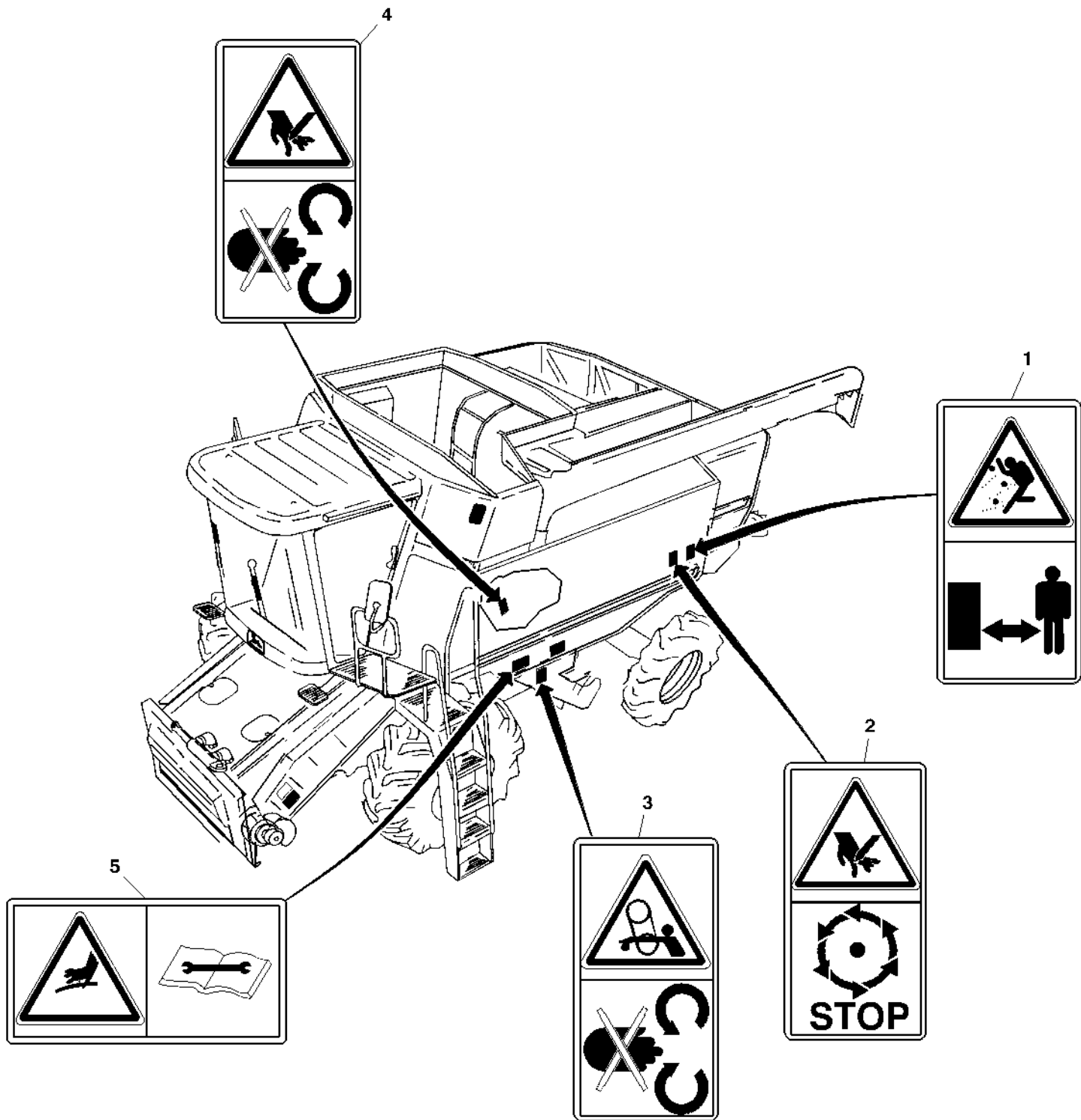
DECALS, BELTS AND CHAINS

SAFETY DECALS AND LOCATIONS - FRENCH (-666172) - CONTINUED

| KEY | PART NO. | PART NAME | QTY | SERIAL NO. | REMARKS |
|-----|----------|-----------|-----|------------|-------------|
| 1 | H149076 | DECAL | 1 | | GRAIN TANK |
| 2 | H149091 | LABEL | 1 | | POWERLINE |
| 3 | H149075 | LABEL | 2 | | FRONT ENTRY |
| .. | AH135254 | LABEL KIT | 1 | | |

9F17

SAFETY DECALS AND LOCATIONS - FRENCH (666173-)
HP6585 -28-20JAN97



HP6585

9F18

DECALS, BELTS AND CHAINS

SAFETY DECALS AND LOCATIONS - FRENCH (666173-) - CONTINUED

| KEY | PART NO. | PART NAME | QTY | SERIAL NO. | REMARKS |
|-----|----------|-----------|-----|------------|---------|
| 1 | Z60329 | LABEL | 1 | | |
| 2 | Z59868 | LABEL | 1 | | |
| 3 | Z60326 | LABEL | 1 | | |
| 4 | Z60332 | LABEL | 1 | | |
| 5 | H152243 | MEDALLION | 1 | | |

9F19

DECALS, BELTS AND CHAINS

SAFETY DECALS AND LOCATIONS - FRENCH (-666172)
HP6168 -28-20SEP95



HP6168

9F20

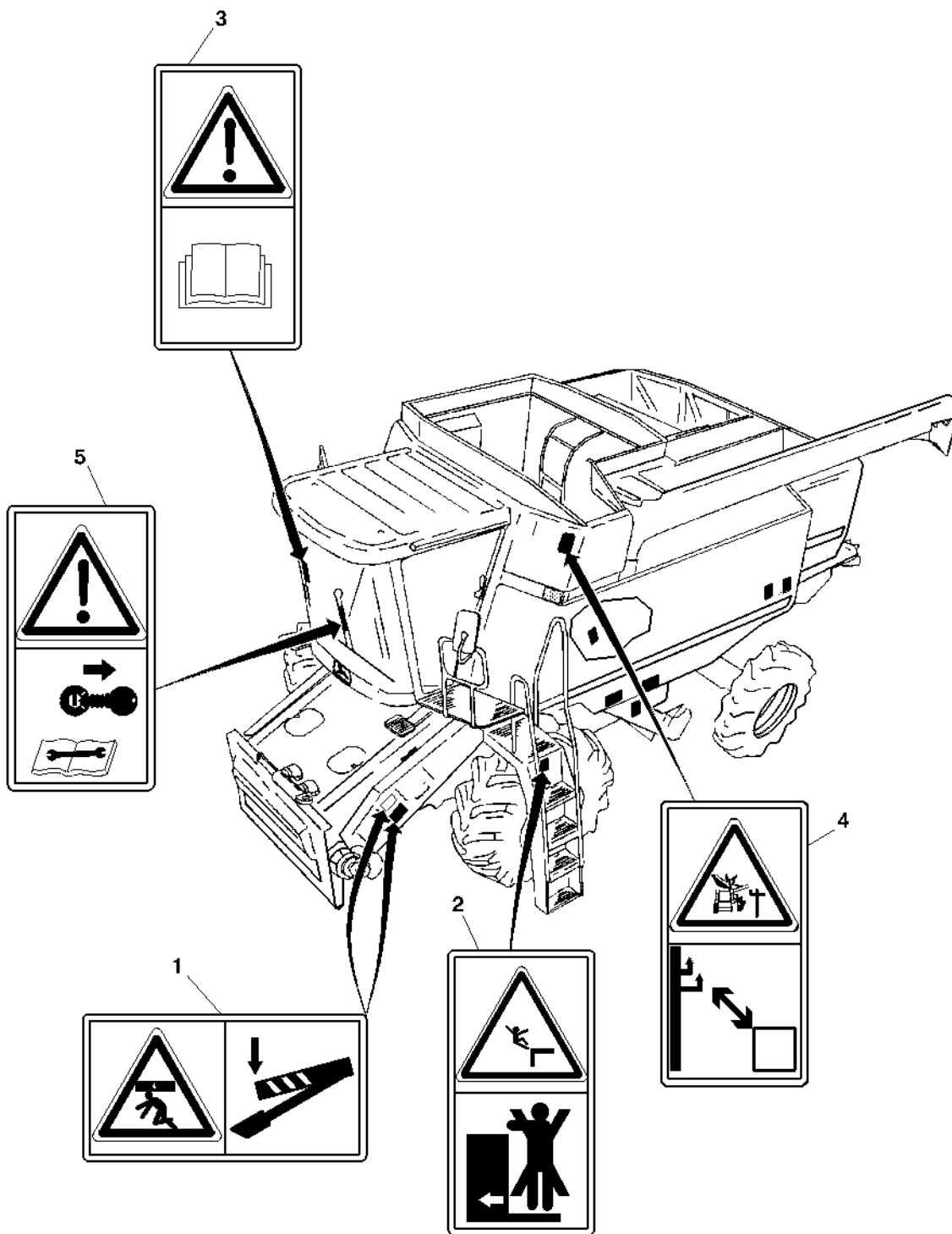
DECALS, BELTS AND CHAINS

SAFETY DECALS AND LOCATIONS - FRENCH - (-666172) - CONTINUED

| KEY | PART NO. | PART NAME | QTY | SERIAL NO. | REMARKS |
|-----|----------|-----------|-----|------------|-------------------------|
| 1 | H173824 | LABEL | 1 | | (SUB FOR H149080) BRAKE |
| 2 | H149097 | LABEL | 1 | | PROJECTILE |
| 3 | H149078 | LABEL | 1 | | AUGER |
| 4 | H149077 | DECAL | 1 | | HEADER |
| 5 | H134620 | LABEL | 1 | | EXIT |
| .. | AH135254 | LABEL KIT | 1 | | |

9F21

SAFETY DECALS AND LOCATIONS - FRENCH (666173-)
HP6586 -28-20JAN97



HP6586

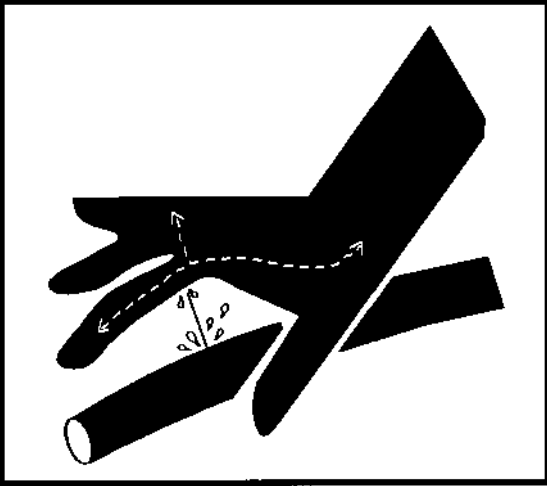
9F22

DECALS, BELTS AND CHAINS

SAFETY DECALS AND LOCATIONS - FRENCH (666173-) - CONTINUED

| KEY | PART NO. | PART NAME | QTY | SERIAL NO. | REMARKS |
|-----|----------|-----------|-----|------------|---------|
| 1 | H151671 | LABEL | 2 | | |
| 2 | L64995 | LABEL | 1 | | |
| 3 | CC40740 | DECAL | 1 | | |
| 4 | H152239 | MEDALLION | 1 | | |
| 5 | Z59872 | LABEL | 1 | | |

1

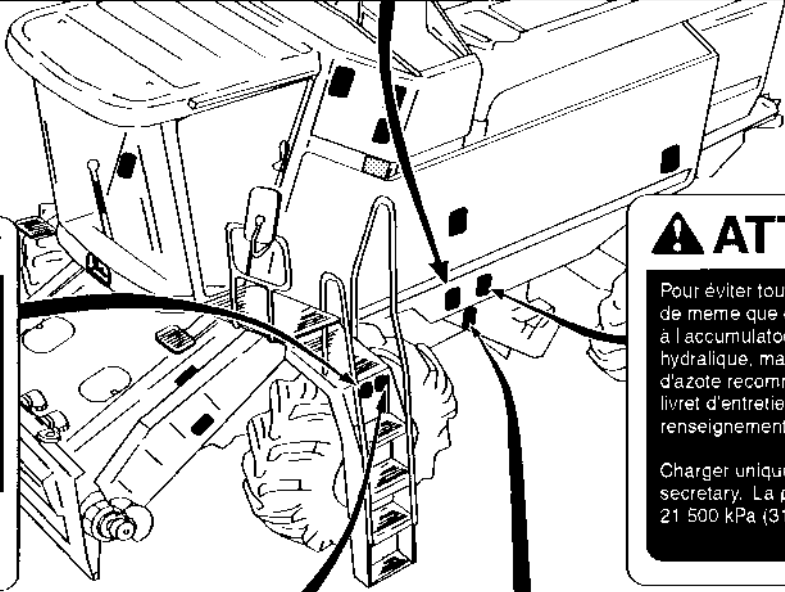


⚠ AVERTISSEMENT

Éviter les blessures corporelles provenant de l'huile hydraulique et du carburant sous pression. Avant d'enlever, de démonter ou de charger l'accumulateur:


1. Avec le rampe d'alimentation ou le récolteur ou sel ou on position soutenue, ouvrir le souapepe manuelle.
2. Faire émettre le moteur et tenir le commande de houtour du racolteur e le position inferioure pendant 5 secondes pour reduire le pression hydraulique du systeme.
3. Arrêter le moteur.

Utiliser uniquement de L'AZOTE secretary pour recharger l'accumulateur. Consulter le concessionnaire John Deere.



5

⚠ AVERTISSEMENT



N'entrez pas dans la trémie à cet endroit.

2

⚠ ATTENTION

Pour éviter tout de blessures de meme que des dammages possibles à l'accumulateur ou au système hydraulique, maintenir la pression d'azote recommandée. Consulter le livret d'entretien pour des renseignements supplémentaires.

Charger uniquement avec de l'azote secretary. La pression nominale est de 21 500 kPa (3120 psi)

4

⚠ ATTENTION

1. Laissez tous les protecteurs en place.
2. Debrayez et arrêtez le moteur ou l'entraînement avant de protéger à toute opération d'entretien sur la machine.
3. Tenez vos vêtements à l'écart des pièces mobiles.

3

⚠ AVERTISSEMENT



Ne soulevez jamais le protecteur lorsque le moteur est en marche. Arrêtez le moteur et retirez la clé.

HP6169

9F24

DECALS, BELTS AND CHAINS

SAFETY DECALS AND LOCATIONS - FRENCH (-666172) - CONTINUED

| KEY | PART NO. | PART NAME | QTY | SERIAL NO. | REMARKS |
|-----|----------|-----------|-----|------------|----------------------|
| 1 | H149079 | LABEL | 1 | | ACCUMULATOR |
| 2 | H149098 | LABEL | 1 | | ACCUMULATOR |
| 3 | H149100 | LABEL | 1 | | CLEAN GRAIN ELEVATOR |
| 4 | E82575 | LABEL | 1 | | SEPARATOR |
| 5 | H149074 | LABEL | 1 | | LADDER |
| .. | AH135254 | LABEL KIT | 1 | | |

ATTENTION

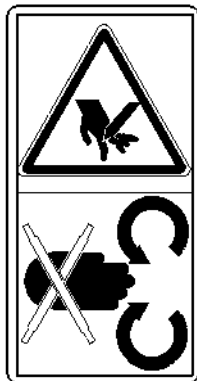
1. Jumelez les freins pour le déplacement sur le route.
2. Engager le frein de stationnement avant de sortir de la cabine.

SORTIE DE SECOURS
 TIREZ SUR LA LANGUETTE
 ENLEVEZ LA CORDE
 PUSSEZ SUR LA FENETRE

ATTENTION

Pour éviter tout de blessures de même que des dommages possibles à l'accumulateur ou au système hydraulique, maintenir la pression d'azote recommandée. Consulter le livret d'entretien pour des renseignements supplémentaires.

Charger uniquement avec de l'azote sec. La pression nominale est de 21 500 kPa(3120 psi)



HP6587

9G2

DECALS, BELTS AND CHAINS

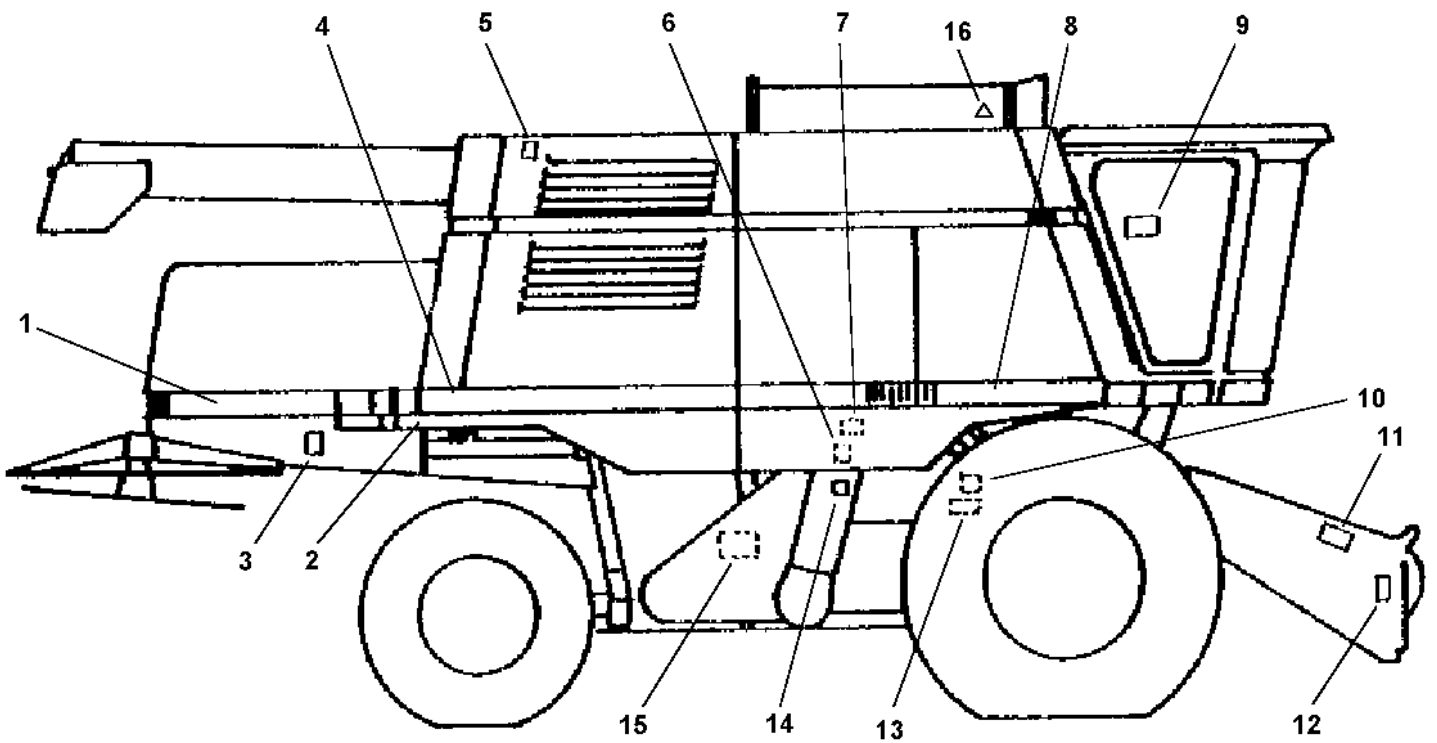
SAFETY DECALS AND LOCATIONS - FRENCH (666173-) - CONTINUED

| KEY | PART NO. | PART NAME | QTY | SERIAL NO. | REMARKS |
|-----|----------|-----------|-----|------------|-------------|
| 1 | H149098 | LABEL | 1 | | ACCUMULATOR |
| 2 | Z63298 | LABEL | 1 | | |
| 3 | Z60332 | LABEL | 2 | | |
| 4 | H134620 | LABEL | 1 | | EXIT |
| 5 | H156389 | LABEL | 1 | | |

9G3

DECALS, BELTS AND CHAINS

RIGHT-HAND DECALS
HP7607 -UN-20AUG98



HP7607

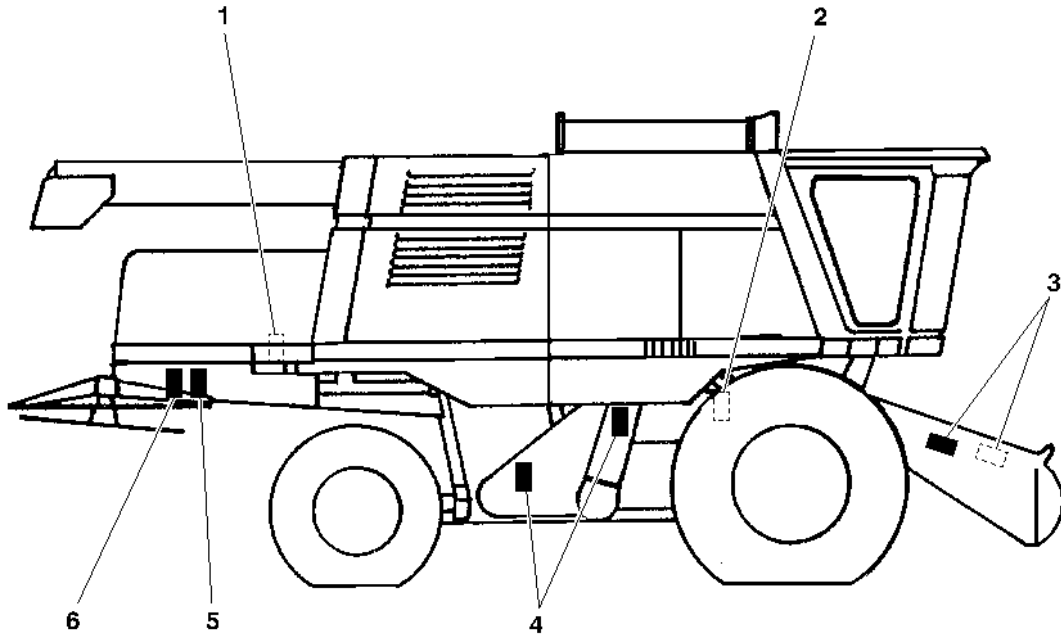
RIGHT-HAND DECALS - CONTINUED

| KEY | PART NO. | PART NAME | QTY | SERIAL NO. | REMARKS |
|-----|----------|-----------|-----|---------------|---|
| 1 | H120923 | LABEL | 1 | | ON R.H. REAR HOOD |
| 2 | H138989 | LABEL | 1 | -660300 | (SUB H149096) "PROJECTILE WARNING" ON R.H. REAR HOOD |
| | H149096 | LABEL | 1 | | "PROJECTILE WARNING" ON R.H. REAR HOOD |
| | H139036 | LABEL | 1 | -660300 | (SUB H149097) (FRENCH) "PROJECTILE WARNING" ON R.H. REAR HOOD |
| | H149097 | LABEL | 1 | -666172 | (FRENCH) "PROJECTILE WARNING" ON R.H. REAR HOOD |
| 3 | H133640 | LABEL | 1 | -660300 | (SUB H149064) "LADDER WARNING" ON INSIDE OF R.H. ENGINE ACCESS DOOR |
| | H149064 | LABEL | 1 | | "LADDER WARNING" ON INSIDE OF R.H. ENGINE ACCESS DOOR |
| | H135128 | LABEL | 1 | -660300 | (SUB H149075) (FRENCH) "WARNING" ON INSIDE OF R.H. ENGINE ACCESS DOOR |
| | H149075 | LABEL | 1 | -666172 | (FRENCH) "WARNING" ON INSIDE OF R.H. ENGINE ACCESS DOOR |
| 4 | H133488 | LABEL | 2 | | "JOHN DEERE" ON R.H. SERVICE ACCESS SHIELD |
| 5 | H139989 | LABEL | 1 | -638115 | (SUB H144692) "ROTARY SCREEN BELT" ON RADIATOR FRAME |
| | H144692 | LABEL | 1 | | "ROTARY SCREEN BELT" ON RADIATOR FRAME |
| 6 | H139392 | LABEL | 1 | | "CLEAN GRAIN ELEVATOR BELT" ON LOWER CLEAN GRAIN ELEVATOR |
| 7 | H139393 | LABEL | 1 | | "SHOE, WALKER, CONVEYOR AUGER BELT" ON CLEAN GRAIN ELEVATOR |
| 8 | H135254 | LABEL | 1 | | "9600" ON R.H. SERVICE ACCESS SHIELD |
| 9 | H134535 | LABEL | 1 | | "EMERGENCY EXIT" ON R.H. CAB GLASS |
| | H134620 | LABEL | 1 | -666172 | (FRENCH) "EMERGENCY EXIT" ON REAR AREA OF R.H. WINDOW FRAME |
| 10 | H110438 | DECAL | 1 | -660300 | (SUB H149037) "WARNING" ON FRONT WALKER COVER |
| | H149037 | DECAL | 1 | | "WARNING" ON FRONT HALF OF CLEAN GRAIN ELEVATOR |
| | H114321 | DECAL | 1 | -660300 | (SUB H149040) (FRENCH) "WARNING" ON FRONT WALKER COVER (INCLUDED IN AH135254 KIT) |
| | H149040 | DECAL | 1 | -666172 | FRENCH "WARNING" ON FRONT HALF OF CLEAN GRAIN ELEVATOR |
| 11 | H133639 | LABEL | 1 | -660300 | (SUB H149063) "HEADER DANGER" ON FEEDER HOUSE AND SHIELD |
| | H149063 | LABEL | 1 | | "HEADER DANGER" ON FEEDERHOUSE AND SHIELD |
| | H135130 | LABEL | 1 | -660300 | (SUB H149077) (FRENCH) "HEADER DANGER" ON FEEDER HOUSE AND SHIELD |
| | H149077 | DECAL | 1 | -666172 | (FRENCH) "HEADER DANGER" ON FEEDERHOUSE AND SHIELD |
| 12 | H123351 | LABEL | 2 | | "FEEDER DRUM HEIGHT ADJUSTMENT" ON FEEDER HOUSE |
| | H129094 | LABEL | 2 | -666172 | (FRENCH) "FEEDER DRUM HEIGHT ADJUSTMENT" ON FEEDER HOUSE |
| 13 | H114270 | DECAL | 1 | | (DUAL RANGE) ON R.H. FRONT WALKER COVER |
| | H114320 | DECAL | 1 | -29JAN | (FRENCH) (DUAL RANGE) ON R.H. FRONT WALKER COVER (INCLUDED IN AH135254 KIT) |
| 14 | H139948 | LABEL | 1 | -660300 | (SUB H149099) "WARNING" ON FRONT HALF OF CLEAN GRAIN ELEVATOR |
| | H149099 | DECAL | 1 | | "WARNING" ON FRONT HALF OF CLEAN GRAIN ELEVATOR |
| | H139949 | LABEL | 1 | -660300 | (SUB H149100) (FRENCH) "WARNING" ON FRONT HALF OF CLEAN GRAIN ELEVATOR |
| | H149100 | LABEL | 1 | -666172 | (FRENCH) "WARNING" ON FRONT HALF OF CLEAN GRAIN ELEVATOR |
| 15 | H140579 | LABEL | 1 | 635310-656691 | (SUB H151140) "R.H. LUBE CHART" ON LOWER SIDE SHEET FOR SINGLE SPEED CYLINDER |
| | H151140 | LABEL | 1 | -660300 | "R.H. LUBE CHART" |
| | H151617 | LABEL | 1 | 660301-665300 | R.H. "LUBE CHART" (DUAL RANGE) |
| | H140581 | LABEL | 1 | 635310-656691 | (SUB H151142) "R.H. LUBE CHART" |
| | H151142 | LABEL | 1 | -660300 | "R.H. LUBE CHART" |
| | H151619 | LABEL | 1 | 660301-665300 | R.H. "LUBE CHART" (SINGLE RANGE) |
| | H155000 | LABEL | 1 | 665301- | R.H. "LUBE CHART" (DUAL RANGE) FRENCH |
| | H155154 | LABEL | 1 | 665301- | R.H. "LUBE CHART" (SINGLE RANGE) |
| | H155153 | LABEL | 1 | 665301- | R.H. "LUBE CHART" (DUAL RANGE) |
| 16 | H163216 | LABEL | 1 | | GREENSTAR |
| .. | AH122977 | DECAL | 1 | -635307 | (SUB AH135254) KIT, FRENCH |
| .. | AH135254 | LABEL KIT | 1 | -666172 | (INCLUDES H149060) FRENCH |

9G5

DECALS, BELTS AND CHAINS

RIGHT-HAND DECALS - FRENCH (666173-)
 HP6589 -28-07MAR97



HP6589

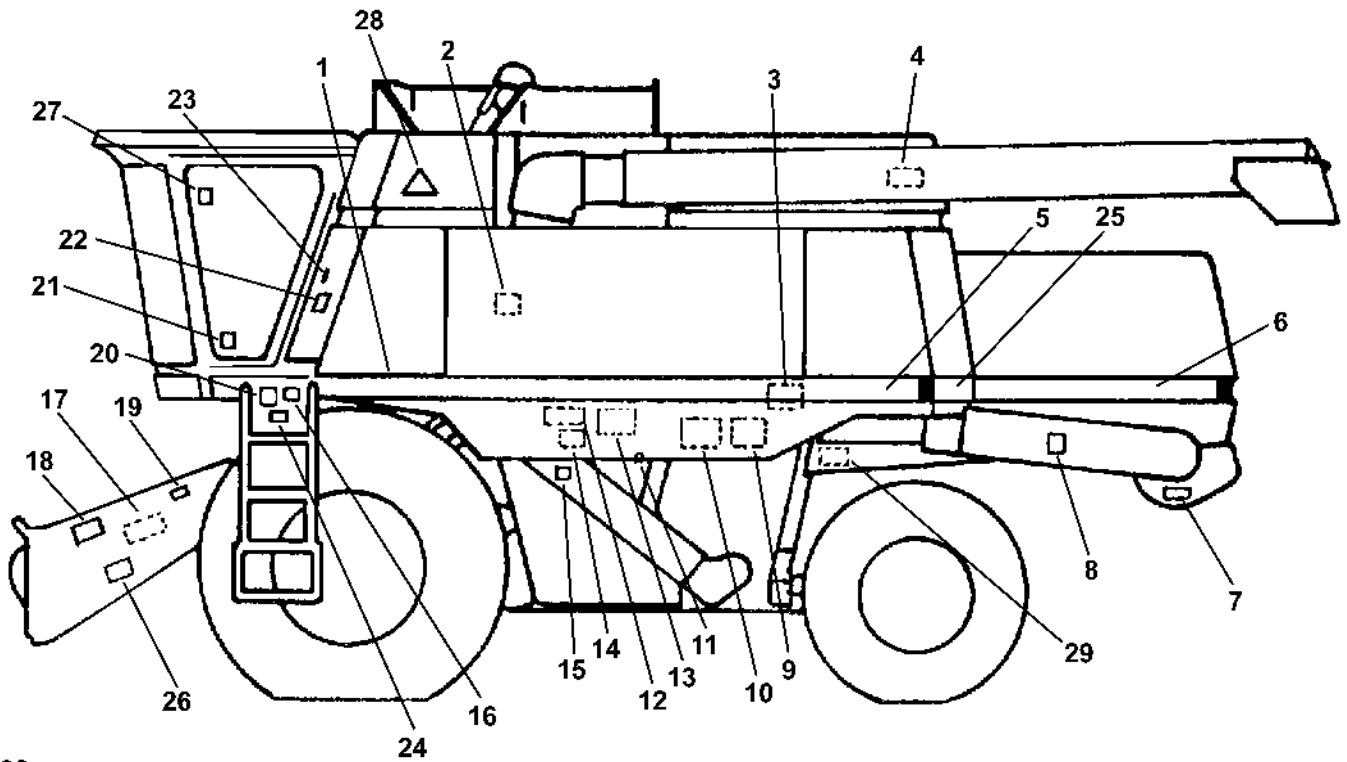
| KEY | PART NO. | PART NAME | QTY | SERIAL NO. | REMARKS |
|-----|----------|-----------|-----|------------|------------------------------|
| 1 | L64995 | LABEL | 1 | | |
| 2 | H152238 | MEDALLION | 1 | | |
| 3 | H151671 | LABEL | 2 | | CYLINDER SPRING REEL LIFT |
| 4 | Z60326 | LABEL | 2 | | |
| 5 | Z59868 | LABEL | 1 | | |
| 6 | Z60329 | LABEL | 1 | | |

MEMORANDA

9G6

DECALS, BELTS AND CHAINS

LEFT-HAND DECALS
HP7606 -UN-31AUG98



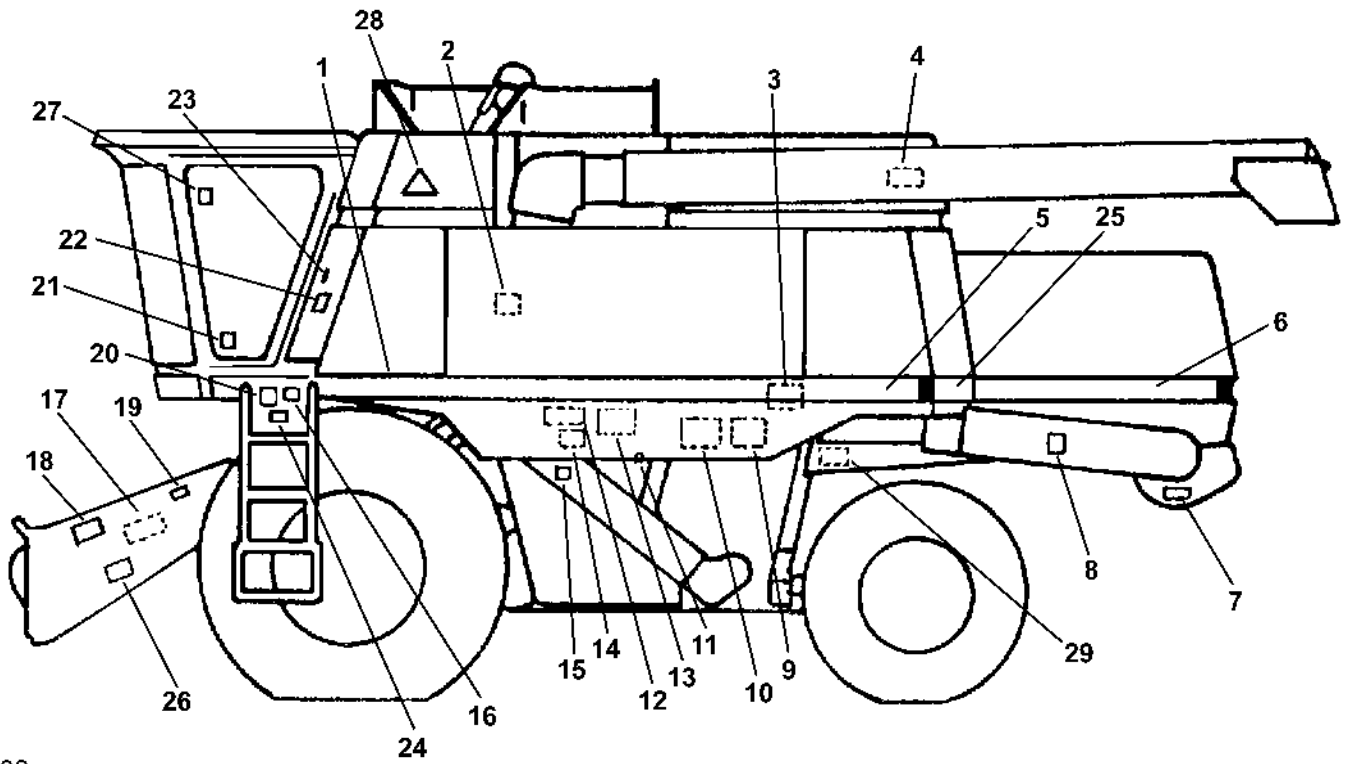
HP7606

LEFT-HAND DECALS - CONTINUED

| KEY | PART NO. | PART NAME | QTY | SERIAL NO. | REMARKS |
|-----|----------|-----------|-----|---------------|--|
| 1 | H135255 | LABEL | 1 | | "9600" ON L.H. SERVICE ACCESS SHIELD |
| 2 | H133642 | LABEL | 1 | -660300 | (SUB H149066) "AUGER WARNING" ON UNLOADING ARM |
| | H149066 | LABEL | 1 | | "AUGER WARNING" ON UNLOADING ARM |
| | H135133 | LABEL | 1 | -660300 | (SUB H149078) (FRENCH) "AUGER WARNING" ON UNLOADING ARM |
| | H149078 | LABEL | 1 | -666172 | (FRENCH) "AUGER WARNING" ON UNLOADING ARM |
| 3 | H133996 | LABEL | 1 | -635306 | (SUB H140583) "LUBE CHART" ON LH SIDE |
| | H140583 | LABEL | 1 | 635307-635474 | (SUB H142182) "LUBE CHART" ON L.H. SIDE |
| | H142182 | LABEL | 1 | 635475-642036 | "LUBE CHART" ON L.H. SIDE |
| | H141343 | LABEL | 1 | 642037- | "LUBE CHART" ON L.H. SIDE |
| 4 | H110923 | LABEL | 1 | | HYDRAULIC RESERVOIR LABEL ON R.H. SIDE OF HYDRAULIC RESERVOIR |
| | H127078 | LABEL | 1 | -666172 | (FRENCH) HYDRAULIC RESERVOIR LABEL ON R.H. SIDE OF HYDRAULIC RESERVOIR |
| 5 | H133488 | LABEL | 1 | | "STYLING PANEL" CENTER ON LH REAR PANEL |
| 6 | H120924 | LABEL | 1 | | "STYLING PANEL" CENTERED ON L.H. SIDE OF REAR HOOD |
| 7 | H139431 | LABEL | 2 | -640831 | (SUB H145857) CHOPPER POSITION - ON EACH SIDE |
| | H145857 | LABEL | 2 | -29SEP7 | CHOPPER POSITION - ON EACH SIDE |
| | H165247 | LABEL | 1 | 29SEP7- | CHOPPER POSITION - ON EACH SIDE |
| | H139432 | LABEL | 2 | -640831 | (SUB H145858) (FRENCH) CHOPPER POSITION - ON EACH SIDE |
| | H145858 | LABEL | 2 | -666172 | (FRENCH) CHOPPER POSITION - ON EACH SIDE |
| 8 | H138989 | LABEL | 1 | -660300 | "PROJECTILE WARNING" ON DRIVE BELT SHIELD |
| | H149096 | LABEL | 1 | | "PROJECTILE WARNING" |
| | H139036 | LABEL | 1 | -660300 | (SUB H149097) (FRENCH) "PROJECTILE WARNING" ON DRIVE BELT SHIELD |
| | H149097 | LABEL | 1 | -666172 | (FRENCH) "PROJECTILE WARNING" ON R.H. REAR HOOD |
| 9 | H128315 | LABEL | 1 | | "DIAGNOSTIC PORTS" ON INSIDE OF LOWER REAR CORNER OF LH SERVICE ACCESS SHIELD |
| | H129099 | LABEL | 1 | -666172 | (FRENCH) "DIAGNOSTIC PORTS" ON INSIDE OF LOWER REAR CORNER OF LH SERVICE ACCESS SHIELD |
| 10 | H131021 | LABEL | 1 | -660300 | "EH VALVE STACK" ON INSIDE OF LOWER REAR CORNER OF LH SERVICE ACCESS SHIELD |
| | H150763 | LABEL | 1 | | |
| | H135131 | LABEL | 1 | -666172 | (FRENCH) "EH VALVE STACK" ON INSIDE OF LOWER REAR CORNER OF L.H. SERVICE ACCESS SHIELD |
| 11 | H80796 | DECAL | 1 | | "VARIABLE SPEED FAN HANDWHEEL" ON VARIABLE SPEED FAN WHEEL |
| 12 | H132811 | LABEL | 1 | | "ACCUMULATOR DECAL" ON L.H. SIDE SHEET |
| | H135132 | LABEL | 1 | -666172 | (FRENCH) "ACCUMULATOR DECAL" ON L.H. SIDE SHEET |
| 13 | H138423 | LABEL | 2 | -660300 | (SUB H149092) "CAUTION" ON ACCUMULATOR |
| | H149092 | LABEL | 2 | | "CAUTION" ON ACCUMULATOR |
| | H139049 | LABEL | 2 | -660300 | (SUB H149098) (FRENCH) "CAUTION" ON ACCUMULATOR |
| | H149098 | LABEL | 2 | -666172 | (FRENCH) "CAUTION" ON ACCUMULATOR |
| 14 | H133643 | LABEL | 1 | -660300 | (SUB H149067) "WARNING" ON MID SILL |
| | H135134 | LABEL | 1 | -660300 | (SUB H149079) (FRENCH) "WARNING" ON MID SILL |
| | H149079 | LABEL | 1 | -666172 | (FRENCH) "WARNING" ON MID SILL |
| .. | AH135254 | LABEL KIT | 1 | -666172 | FRENCH DECAL KIT |

9G8

LEFT-HAND DECALS
HP7606 -UN-31AUG98



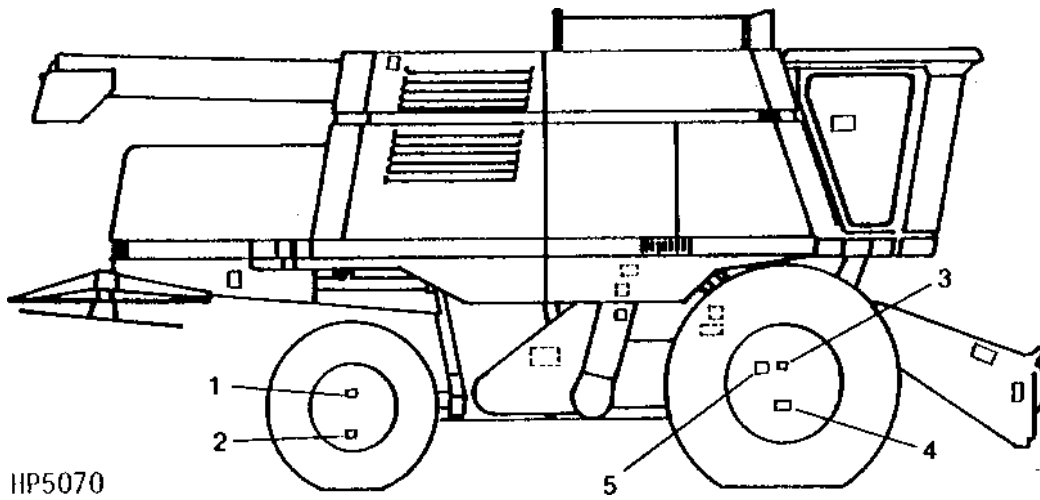
HP7606

LEFT-HAND DECALS - CONTINUED

| KEY | PART NO. | PART NAME | QTY | SERIAL NO. | REMARKS |
|-----|----------|-------------------|-----|---------------|---|
| 15 | H139948 | LABEL | 1 | -660300 | "WARNING" ON FRONT OF TAILINGS ELEVATOR |
| | H149099 | DECAL | 1 | | "WARNING ON FRONT HALF OF CLEAN GRAIN ELEVATOR |
| | H139949 | LABEL | 1 | -660300 | (SUB H149100) (FRENCH) "WARNING" ON FRONT OF TAILINGS ELEVATOR |
| | H149100 | LABEL | 1 | -666172 | (FRENCH) "WARNING" ON FRONT OF TAILINGS ELEVATOR |
| 16 | H127252 | LABEL | 1 | | "TIRE LOADING" ON CAB LADDER |
| | H173336 | LABEL | 1 | | (SUB FOR H127325, H127326 OR H127327) (FRENCH) "TIRE LOADING" |
| 17 | H135405 | LABEL | 1 | -671188 | "FEEDER HOUSE CHAIN LABEL" ON L.H. SIDE OF FEEDER HOUSE (NO LONGER AVAILABLE) |
| | H135406 | LABEL | 1 | -666172 | (FRENCH) "FEEDER HOUSE CHAIN LABEL" ON L.H. SIDE OF FEEDER HOUSE |
| | H160795 | LABEL | 1 | 671664- | (FRENCH) "FEEDER HOUSE CHAIN ADJUSTMENT" |
| 18 | H137939 | LABEL | 1 | | "HARNESS AND HOSE STORAGE" ON L.H. DRIVE SHIELD |
| | H137940 | LABEL | 1 | -666172 | (FRENCH) "HARNESS AND HOSE STORAGE" ON L.H. DRIVE SHIELD |
| 19 | H126397 | LABEL | 1 | | "VARIABLE SPEED DRIVE" ON SIDE OF FEEDER HOUSE SHIELD |
| 20 | H133640 | LABEL | 1 | -660300 | (SUB H149064) "LADDER WARNING" ON CAB LADDER |
| | H149064 | LABEL | 1 | | "LADDER WARNING" ON INSIDE OF R.H. ENGINE ACCESS DOOR |
| | H135128 | LABEL | 1 | -660300 | (SUB H149075) (FRENCH) "LADDER WARNING" ON CAB LADDER |
| | H149074 | LABEL | 1 | -666172 | (FRENCH) "LADDER WARNING" ON CAB LADDER |
| 21 | H134767 | LABEL | 1 | -660300 | (SUB H149068) "BRAKE" ON GEARSHIFT |
| | H135242 | LABEL | 1 | -660300 | (SUB H149080) (FRENCH) "BRAKE LABEL" ON GEARSHIFT |
| | H173824 | LABEL | 1 | -666172 | (SUB FOR H149080) (FRENCH) "BRAKE" ON GEARSHIFT |
| 22 | H135167 | LABEL | 1 | -666172 | (FRENCH) ON FILTER DOOR ABOVE ENGLISH DIRECTION |
| 23 | H136583 | LABEL | 1 | -666172 | (FRENCH) ON INSIDE WALL OF FILTER TRAY, BEHIND CAB SEAT |
| 24 | JD5255 | DECAL | 1 | -650877 | (SUB E82510) "CAUTION" ON CAB LADDER |
| | E82510 | LABEL | 1 | | "CAUTION" ON CAB LADDER |
| | JD5127 | DECAL | 1 | | (SUB E82575) (FRENCH) "CAUTION" ON CAB LADDER |
| | E82575 | LABEL | 1 | -666172 | FRENCH "CAUTION" - ON CAB LADDER |
| 25 | H137356 | LABEL | 1 | | "JOHN DEERE" ON L.H. SERVICE ACCESS SHIELD |
| 26 | H133639 | LABEL | 1 | -660300 | (SUB H149063) "HEADER DANGER" ON L.H. FDR HSE DRIVE SHIELD |
| | H149063 | LABEL | 1 | -666172 | "HEADER DANGER" ON FEEDERHOUSE AND SHIELD |
| 27 | H160459 | LABEL | 1 | 671267-670000 | "ROAD CORROSION" |
| 28 | H163216 | LABEL | 1 | | "GREENSTAR" |
| 29 | H163382 | INSTRUCTION PLATE | 1 | | (SUB H169764) "SHOE SETTING" |
| | H169764 | DECAL | 1 | | |
| .. | AH135254 | LABEL KIT | 1 | -666172 | FRENCH DECAL KIT |

9G10

FRONT AND REAR WHEEL DECALS
HP5070 -UN-01JAN94



9G11

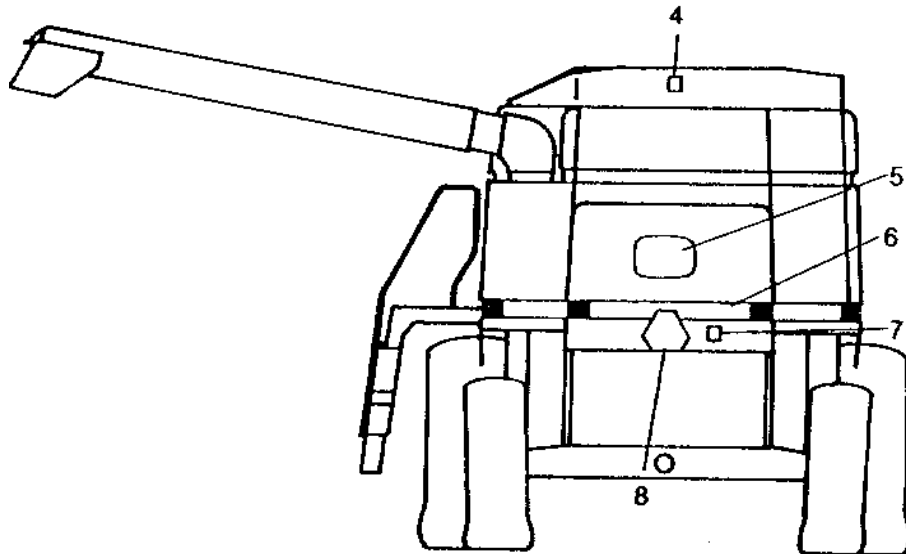
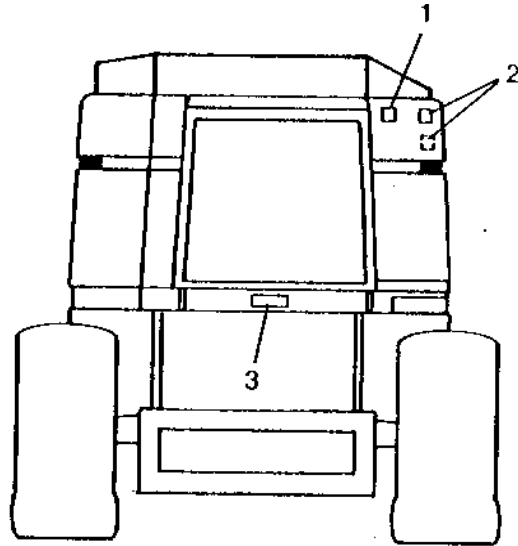
DECALS, BELTS AND CHAINS

FRONT AND REAR WHEEL DECALS - CONTINUED

| KEY | PART NO. | PART NAME | QTY | SERIAL NO. | REMARKS |
|-----|----------|-----------|-----|---------------|--|
| 1 | H116641 | LABEL | 2 | -641287 | (SUB H145995) "IMPORTANT" WHEEL BOLT TORQUE 205 NM (150 LB-FT), REAR WHEELS |
| | H145995 | LABEL | 2 | | "IMPORTANT" WHEEL BOLT TORQUE 205 NM (150 LB-FT), REAR WHEELS |
| | H150646 | DECAL | 2 | 660301- | "IMPORTANT" 15 PSI (103 KPA) (28L X 26-10 OR 12 PLY TIRE) (68 X 50-32 16 PLY TIRE) |
| | H174266 | LABEL | 2 | 660301- | "IMPORTANT" ON AXLE STOP (28L X 26-10 OR 12 PLY TIRE) |
| | H127076 | LABEL | 2 | -641287 | (SUB H145996) (FRENCH) "IMPORTANT" WHEEL BOLT TORQUE 205 NM (150 LB-FT), REAR WHEELS |
| | H145996 | LABEL | 2 | 641288-666172 | (FRENCH) "IMPORTANT" WHEEL BOLT TORQUE 205 NM(150 LB-FT), REAR WHEELS |
| 2 | H111541 | LABEL | 2 | | "IMPORTANT" TIRE PRESSURE - 40 PSI (275 KPA) ON WHEEL NEAR VALVE STEM |
| | H127073 | LABEL | 2 | -666172 | (FRENCH) "IMPORTANT" TIRE PRESSURE - 40 PSI (275 KPA) ON WHEEL NEAR VALVE STEM |
| | H140709 | LABEL | 2 | | "IMPORTANT" TIRE PRESSURE - 26 PSI (180 KPA) ON WHEEL NEAR VALVE STEM |
| | H140749 | LABEL | 2 | -666172 | (FRENCH) "IMPORTANT" TIRE PRESSURE - 26 PSI (180 KPA) ON WHEEL NEAR VALVE STEM |
| | H108604 | LABEL | 2 | | "IMPORTANT" TIRE PRESSURE - 20 PSI (140 KPA) ON WHEEL NEAR VALVE STEM |
| | H127067 | LABEL | 2 | -666172 | (FRENCH) "IMPORTANT" TIRE PRESSURE - 20 PSI (140 KPA) ON WHEEL NEAR VALVE STEM |
| | H127070 | LABEL | 2 | -666172 | (FRENCH) "IMPORTANT" TIRE PRESSURE - 30 PSI (205 KPA) ON WHEEL NEAR VALVE STEM |
| 3 | H134442 | LABEL | 2 | | "WHEEL BOLT TORQUE" ON WHEEL NEAR RING |
| | H135141 | LABEL | 2 | -666172 | (FRENCH) "WHEEL BOLT TORQUE" ON WHEEL NEAR RING |
| | H139603 | LABEL | 2 | | "WHEEL BOLT TORQUE" ON WHEEL NEAR RING |
| 4 | H108605 | LABEL | 2 | | "TIRE PRESSURE" 24 PSI (165 KPA) ON WHEEL NEAR VALVE STEM |
| | H127068 | LABEL | 2 | -666172 | (FRENCH) "TIRE PRESSURE" 24 PSI (165 KPA) ON WHEEL NEAR VALVE STEM |
| | H140711 | LABEL | 2 | | "TIRE PRESSURE" 36 PSI (250 KPA) ON WHEEL NEAR VALVE STEM |
| | H140751 | LABEL | 2 | -666172 | (FRENCH) "TIRE PRESSURE" 36 PSI (250 KPA) ON WHEEL NEAR VALVE STEM |
| | H116640 | LABEL | 2 | | "TIRE PRESSURE" 32 PSI (220 KPA) ON WHEEL NEAR VALVE STEM |
| | H127075 | LABEL | 2 | -666172 | (FRENCH) "TIRE PRESSURE" 32 PSI (220 KPA) ON WHEEL NEAR VALVE STEM |
| | H108604 | LABEL | 2 | | "TIRE PRESSURE" 20 PSI (140 KPA) ON WHEEL NEAR VALVE STEM |
| | H127067 | LABEL | 2 | -666172 | (FRENCH) "TIRE PRESSURE" 20 PSI (140 KPA) ON WHEEL NEAR VALVE STEM |
| | H140709 | LABEL | 2 | | "TIRE PRESSURE" 26 PSI (180 KPA) ON WHEEL NEAR VALVE STEM |
| | H140749 | LABEL | 2 | -666172 | (FRENCH) "TIRE PRESSURE" 26 PSI (180 KPA) ON WHEEL NEAR VALVE STEM |
| | H145627 | DECAL | 2 | | "TIRE PRESSURE" 42 PSI (300 KPA) ON WHEEL NEAR VALVE STEM |
| 5 | H140768 | LABEL | 2 | -666172 | (FRENCH) "TIRE PRESSURE" (46 PSI) |
| | H122573 | DECAL | 2 | -671384 | "CAUTION" REMOVING DUAL WHEELS |
| | H158975 | DECAL | 2 | 671385- | |
| .. | AH122977 | DECAL | 1 | -635307 | (SUB AH135254) KIT, FRENCH |
| .. | AH135254 | LABEL KIT | 1 | -666172 | FRENCH |

9G12

FRONT AND REAR DECALS
HP3550 -UN-01JAN94



HP3550

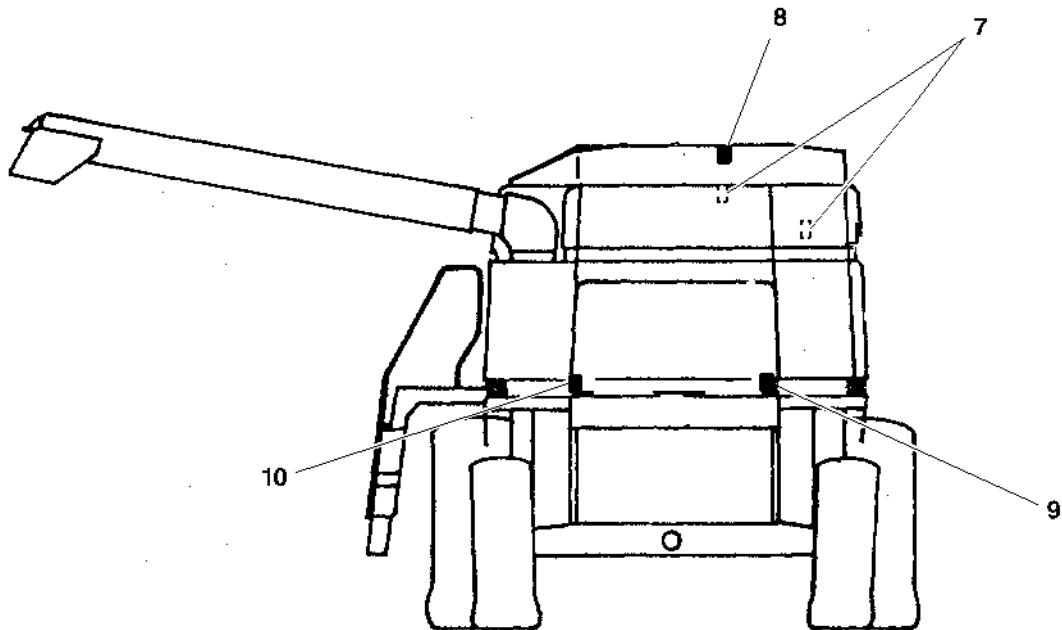
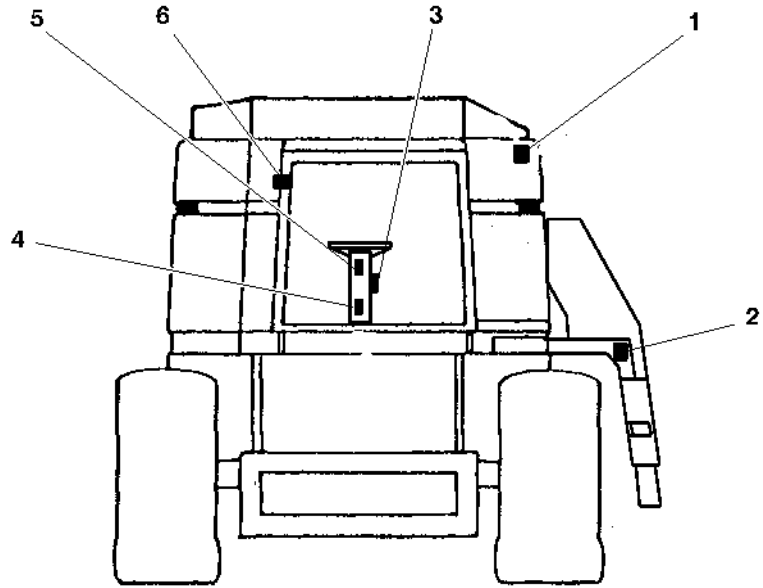
FRONT AND REAR DECALS - CONTINUED

| KEY | PART NO. | PART NAME | QTY | SERIAL NO. | REMARKS |
|-----|----------|------------|-----|------------|--|
| 1 | H137426 | LABEL | 1 | -660300 | (SUB H149090) "DANGER" ON ACCESS DOOR |
| | H149090 | LABEL | 1 | | "DANGER" ON ACCESS DOOR |
| | H137427 | LABEL | 1 | -660300 | (SUB H149091) (FRENCH) "DANGER" ON ACCESS DOOR |
| 2 | H149091 | LABEL | 1 | -666172 | (FRENCH) "DANGER" ON ACCESS DOOR |
| | H133641 | LABEL | 2 | -660300 | (SUB H149065) "WARNING" ONE ON OUTSIDE OF ACCESS DOOR, AND ONE ON INSIDE OF ACCESS DOOR |
| | H149065 | LABEL | 2 | | "WARNING" ONE ON OUTSIDE OF ACCESS DOOR AND ONE ON INSIDE OF ACCESS DOOR |
| | H135126 | LABEL | 2 | -660300 | (SUB H149074) (FRENCH) "WARNING" ONE ON OUTSIDE OF ACCESS DOOR, ONE ON INSIDE OF ACCESS DOOR |
| | H149074 | LABEL | 2 | -666172 | (FRENCH) "WARNING" ONE ON OUTSIDE ACCESS DOOR ONE ON INSIDE OF ACCESS DOOR |
| 3 | H136158 | LABEL | 1 | | "LEAPING DEER" ON FRONT SHIELD |
| 4 | H133638 | LABEL | 1 | -660300 | (SUB H149062) "DANGER" ON REAR GRAIN TANK EXTENSION |
| | H149062 | DECAL | 1 | | "DANGER" ON REAR GRAIN TANK EXTENSION |
| | H135129 | LABEL | 1 | -660300 | (SUB H149076) (FRENCH) "DANGER" ON REAR GRAIN TANK EXTENSION |
| | H149076 | DECAL | 1 | -666172 | (FRENCH) "DANGER" ON REAR GRAIN TANK EXTENSION |
| 5 | JD5592 | DECAL | 1 | | "LEAPING DEER" CENTERED ON UPPER REAR HOOD |
| 6 | H120925 | LABEL | 1 | | "STYLING LABEL" BETWEEN LIGHTS ON REAR HOOD |
| 7 | H138989 | LABEL | 1 | -660300 | (SUB H149096) "PROJECTILE WARNING" ON REAR HOOD END SHEET |
| | H149096 | LABEL | 1 | | "PROJECTILE WARNING" ON R.H. REAR HOOD |
| | H139036 | LABEL | 1 | -660300 | (SUB H149097) (FRENCH) "PROJECTILE WARNING" ON REAR HOOD END SHEET |
| | H149097 | LABEL | 1 | -666172 | (FRENCH) "PROJECTILE WARNING" ON R.H. REAR HOOD |
| 8 | JD5401 | SMV EMBLEM | 1 | -662207 | (SUB JD5400) "SMV DECAL" ON DEFLECTOR |
| | H134667 | DEFLECTOR | 1 | | ON SPREADER OR LOWER REAR HOOD |

9G14

DECALS, BELTS AND CHAINS

FRONT AND REAR DECALS - FRENCH (666173-)
HP6590 -28-10FEB97



HP6590

9G15

DECALS, BELTS AND CHAINS

FRONT AND REAR DECALS - FRENCH (666173-) - CONTINUED

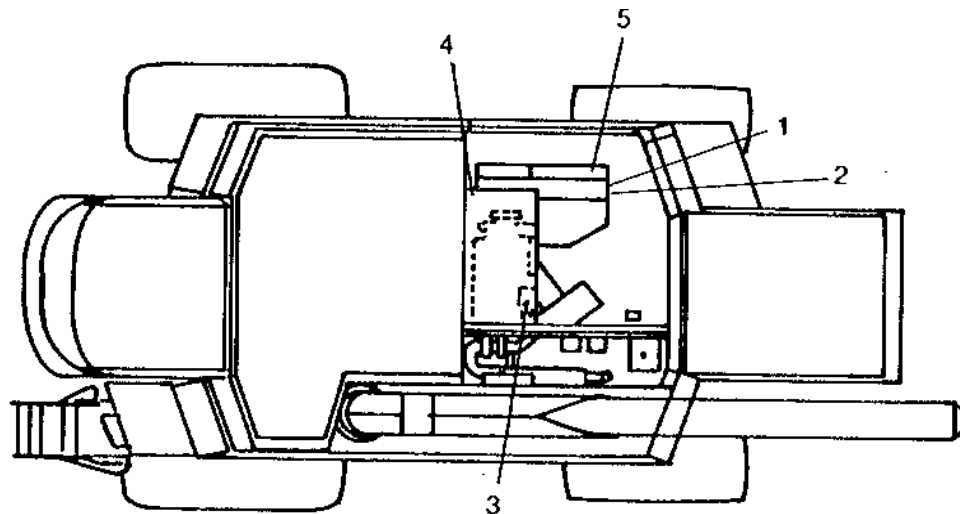
| KEY | PART NO. | PART NAME | QTY | SERIAL NO. | REMARKS |
|-----|----------|-----------|-----|------------|------------------|
| 1 | H152239 | MEDALLION | 1 | | ELECTRICAL SHOCK |
| 2 | Z63298 | LABEL | 1 | | |
| 3 | CC40740 | DECAL | 1 | | |
| 4 | Z59872 | LABEL | 1 | | |
| 5 | H156389 | LABEL | 1 | | |
| 6 | H134620 | LABEL | 1 | | EXIT |
| 7 | Z60332 | LABEL | 2 | | |
| 8 | Z60327 | LABEL | 1 | | |
| 9 | Z59868 | LABEL | 1 | | |
| 10 | Z60329 | LABEL | 1 | | |

9G16

DECALS, BELTS AND CHAINS

TOP DECALS

HP3551 -UN-01JAN94



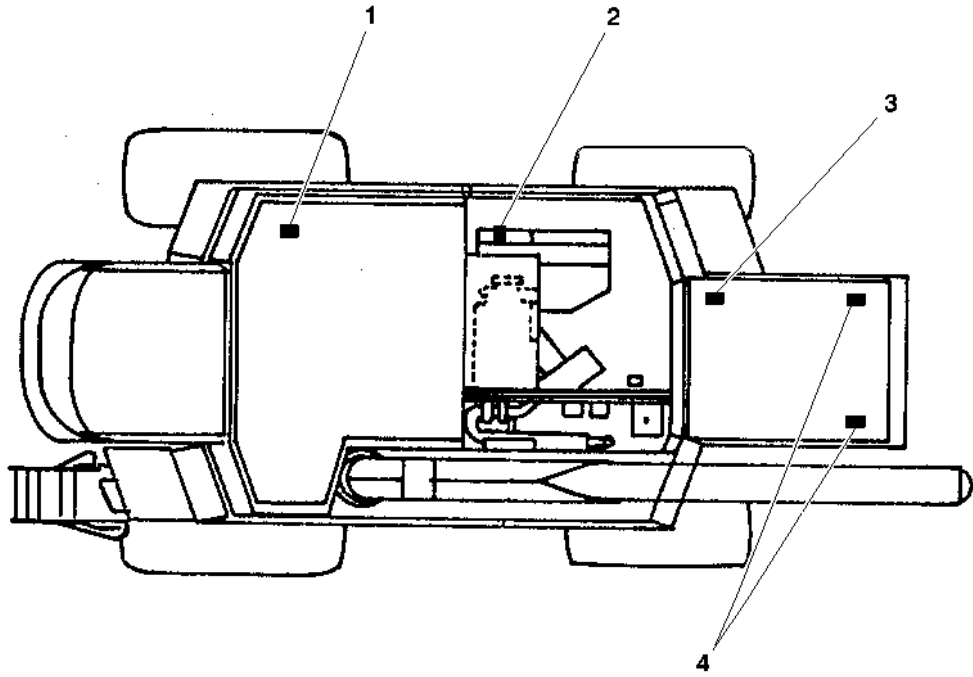
HP3551

| KEY | PART NO. | PART NAME | QTY | SERIAL NO. | REMARKS |
|-----|----------|-----------|-----|------------|--|
| 1 | H137201 | DECAL | 1 | | ON REAR SHEET OF RADIATOR MOUNTING FRAME |
| | H137364 | DECAL | 1 | -666172 | (FRENCH) ON REAR SHEET OF RADIATOR MOUNTING FRAME |
| 2 | H137202 | DECAL | 1 | -660300 | (SUB H149088) ON REAR SHEET OF RADIATOR MOUNTING FRAME |
| | H137365 | DECAL | 1 | -660300 | (SUB H149089) (FRENCH) ON REAR SHEET OF RADIATOR MOUNTING FRAME |
| | H149089 | SIGN | 1 | -666172 | (FRENCH) ON REAR SHEET OF RADIATOR MOUNTING FRAME |
| 3 | H149088 | DECAL | 1 | | "WARNING" FAN & ROTARY SCREEN |
| | H86896 | DECAL | 1 | | ON ENGINE STARTING AID UNIT TO REAR OF OF MACHINE |
| | H95273 | DECAL | 1 | -666172 | (FRENCH) ON ENGINE STARTING AID UNIT TO REAR OF MACHINE |
| 4 | H133638 | LABEL | 1 | -660300 | (SUB H149062) ON FRONT OF ENGINE COVER |
| | H149062 | DECAL | 1 | | "DANGER" ON REAR GRAIN TANK EXTENSION |
| | H135129 | LABEL | 1 | -660300 | (SUB H149076) (FRENCH) ON FRONT OF ENGINE COVER |
| | H149076 | DECAL | 1 | -666172 | (FRENCH) "DANGER" ON REAR GRAIN TANK EXTENSION |
| 5 | H169344 | DECAL | 1 | | (SUB FOR A2913R) ON TOP OF RADIATOR |
| | H95236 | DECAL | 1 | -660300 | (SUB H149046) (FRENCH) ON TOP OF RADIATOR (INCLUDED IN AH135254 KIT) |
| | H170105 | LABEL | 1 | -666172 | (SUB FOR H149046) (FRENCH) ON TOP OF RADIATOR |

9G17

DECALS, BELTS AND CHAINS

TOP DECALS - FRENCH (666173-)
HP6591 -28-07MAR97



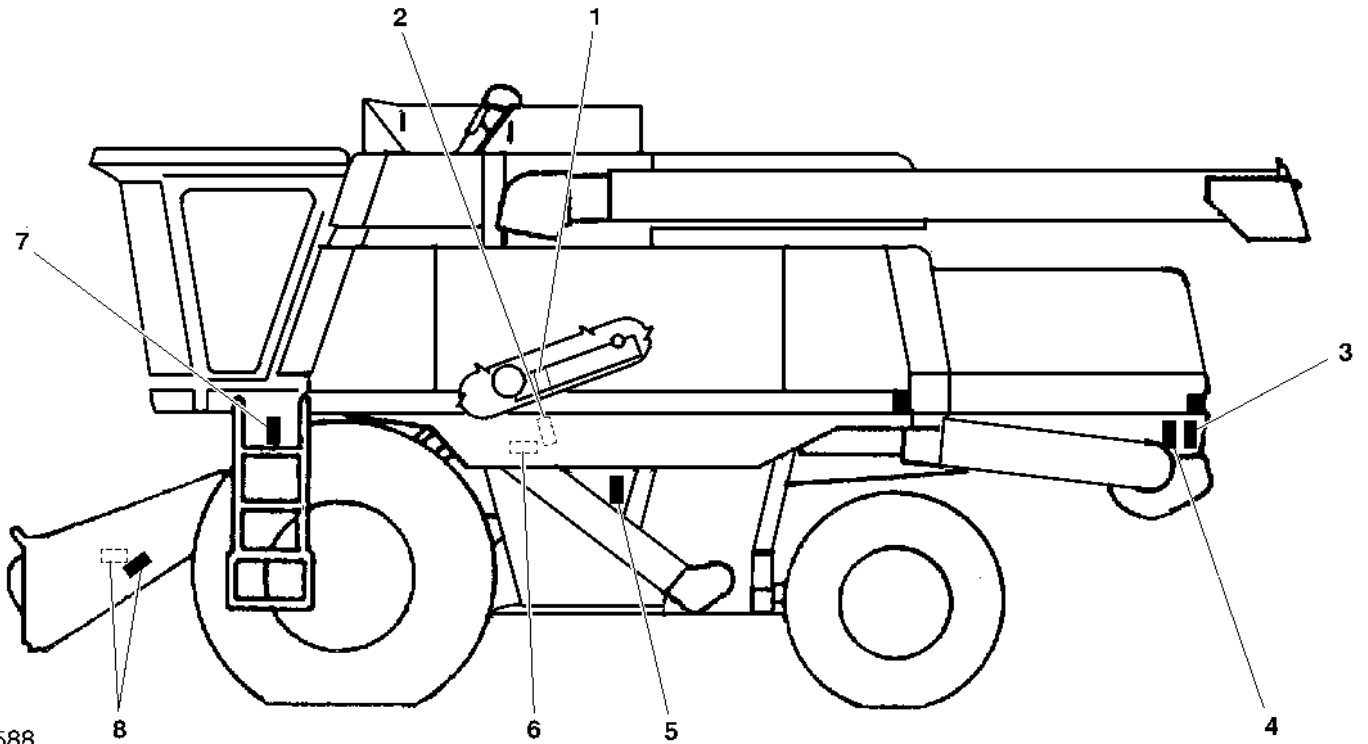
HP6591

| KEY | PART NO. | PART NAME | QTY | SERIAL NO. | REMARKS |
|-----|----------|-----------|-----|------------|--------------|
| 1 | Z60327 | LABEL | 1 | | |
| 2 | H152240 | MEDALLION | 1 | | RADIATOR |
| 3 | H152241 | MEDALLION | 1 | | MODULE DRIVE |
| 4 | Z60332 | LABEL | 2 | | |

9G18

DECALS, BELTS AND CHAINS

LEFT-HAND DECALS - FRENCH (666173-)
 HP6588 -28-07MAR97



HP6588

| KEY | PART NO. | PART NAME | QTY | SERIAL NO. | REMARKS |
|-----|----------|-----------|-----|------------|-------------|
| 1 | Z60332 | LABEL | 1 | | |
| 2 | H149098 | LABEL | 1 | | ACCUMULATOR |
| 3 | Z60329 | LABEL | 1 | | |
| 4 | Z59868 | LABEL | 1 | | |
| 5 | Z60326 | LABEL | 1 | | |
| 6 | H152243 | MEDALLION | 1 | | HYDRAULIC |
| 7 | L64995 | LABEL | 1 | | |
| 8 | H151671 | LABEL | 1 | | REEL LIFT |

NUMERICAL INDEX

| PART NO. | GRID | KEY | PAGE | PART NO. | GRID | KEY | PAGE | PART NO. | GRID | KEY | PAGE |
|----------|------|-----|----------|----------|------|-----|----------|----------|------|-----|----------|
| AA27536 | 3C2 | 10 | 40 - 7 | AH101202 | 4H23 | .. | 60 - 36 | AH111705 | 3C10 | 23 | 40 - 15 |
| AA27536 | 4H12 | 23 | 60 - 25 | AH101202 | 4H24 | 11 | 60 - 37 | AH111970 | 8D16 | 26 | 121 - 47 |
| AA27536 | 6D3 | 10 | 90 - 35 | AH104259 | 3C10 | 2 | 40 - 15 | AH111971 | 8D18 | 4 | 121 - 49 |
| AA27536 | 6E15 | 23 | 90 - 73 | AH104783 | 8D14 | 19 | 121 - 45 | AH112031 | 8C14 | 12 | 121 - 21 |
| AA5607R | 1C2 | 17 | 20 - 9 | AH104783 | 8D20 | 12 | 121 - 51 | AH112033 | 8C10 | 2 | 121 - 17 |
| AA5607R | 8D8 | 12 | 121 - 39 | AH105040 | 6F23 | 23 | 110 - 5 | AH112169 | 3C10 | 19 | 40 - 15 |
| AA5607R | 8D14 | 14 | 121 - 45 | AH105521 | 3E18 | 9 | 40 - 75 | AH112169 | 3C10 | 21 | 40 - 15 |
| AA5607R | 8D24 | 10 | 121 - 55 | AH106010 | 6C6 | 1 | 90 - 13 | AH112189 | 3F8 | 8 | 40 - 89 |
| AA5607R | 8E12 | 3 | 121 - 67 | AH106010 | 6C6 | 2 | 90 - 13 | AH112189 | 3F10 | 8 | 40 - 91 |
| AA5607R | 8E16 | 19 | 121 - 71 | AH106096 | 9E2 | 18 | 130 - 59 | AH112189 | 3F12 | 8 | 40 - 93 |
| AA5607R | 8E18 | 17 | 121 - 73 | AH106110 | 8D10 | 7 | 121 - 41 | AH112284 | 4I4 | 6 | 60 - 41 |
| AA5607R | 8E20 | 34 | 121 - 75 | AH106296 | 5C14 | 1 | 70 - 19 | AH112401 | 4E17 | 4 | 50 - 71 |
| AA5607R | 8E22 | 33 | 121 - 77 | AH106296 | 8D10 | 5 | 121 - 41 | AH112402 | 4C17 | 2 | 50 - 22 |
| AA5607R | 8I3 | 11 | 125 - 59 | AH106296 | 8D10 | 21 | 121 - 41 | AH112435 | 9D19 | 3 | 130 - 51 |
| AA5607R | 9C15 | 12 | 130 - 23 | AH106606 | 9D21 | 11 | 130 - 53 | AH112668 | 4D20 | 28 | 50 - 49 |
| AB18206 | 5B22 | 3 | 70 - 3 | AH106612 | 3C8 | 8 | 40 - 13 | AH112675 | 4D20 | 29 | 50 - 49 |
| AB5070R | 8C18 | 22 | 121 - 25 | AH106612 | 3C10 | 12 | 40 - 15 | AH112678 | 4D20 | 35 | 50 - 49 |
| AC11779 | 8H23 | 10 | 125 - 54 | AH106612 | 3E16 | 1A | 40 - 73 | AH112678 | 4D22 | 8 | 50 - 51 |
| AC11779 | 9B24 | 10 | 130 - 7 | AH106612 | 3F16 | 4 | 40 - 97 | AH112680 | 4D20 | 13 | 50 - 49 |
| AC14974 | 8H23 | 10 | 125 - 54 | AH106612 | 3F16 | 7 | 40 - 97 | AH112703 | 6E19 | 16 | 90 - 77 |
| AC14974 | 9B24 | 10 | 130 - 7 | AH106612 | 3G11 | 5 | 40 - 117 | AH112865 | 9D15 | 10 | 130 - 49 |
| AC15595 | 2G4 | 14 | 30 - 13 | AH106695 | 5D22 | 2 | 70 - 52 | AH112883 | 8D2 | 16 | 121 - 33 |
| AD2062R | 3E12 | 1 | 40 - 69 | AH106933 | 4B24 | 8 | 50 - 5 | AH113139 | 8D6 | 11 | 121 - 37 |
| AE22622 | 8E18 | 8 | 121 - 73 | AH106933 | 4C2 | 17 | 50 - 7 | AH113292 | 3D24 | 1 | 40 - 57 |
| AE22622 | 8E22 | 38 | 121 - 77 | AH106982 | 2F18 | 21 | 30 - 3 | AH113292 | 3E4 | 22 | 40 - 61 |
| AE23516 | 6H22 | 5 | 110 - 55 | AH108080 | 5B22 | 2 | 70 - 3 | AH113301 | 6D18 | 13 | 90 - 51 |
| AE23791 | 6D7 | 18 | 90 - 39 | AH108161 | 6F21 | 17 | 110 - 3 | AH113392 | 9D15 | 10 | 130 - 49 |
| AE23791 | 6F25 | 18 | 110 - 7 | AH108299 | 6C8 | 4 | 90 - 15 | AH114109 | 2F18 | 18 | 30 - 3 |
| AE26118 | 1C4 | 3 | 20 - 11 | AH108299 | 9C23 | 29 | 130 - 31 | AH114359 | 7F10 | 14 | 120 - 87 |
| AE26118 | 7D20 | 3 | 120 - 51 | AH108380 | 3B25 | 17 | 40 - 5 | AH114877 | 6C14 | 29 | 90 - 21 |
| AE27909 | 6H6 | 11 | 110 - 39 | AH108380 | 3C2 | 15 | 40 - 7 | AH114882 | 7D6 | 4 | 120 - 37 |
| AE30624 | 8E20 | 27 | 121 - 75 | AH108380 | 5B22 | 10 | 70 - 3 | AH114978 | 4B22 | 2A | 50 - 3 |
| AE30624 | 8E22 | 26 | 121 - 77 | AH108380 | 6D3 | 15 | 90 - 35 | AH115281 | 4B22 | 1 | 50 - 3 |
| AE37060 | 5E3 | .. | 70 - 58 | AH108388 | 6D9 | 8 | 90 - 41 | AH115321 | 1C16 | 6 | 20 - 23 |
| AE37060 | 5E4 | 9 | 70 - 59 | AH108389 | 6D9 | 7 | 90 - 41 | AH115321 | 5G4 | 4 | 70 - 111 |
| AE37848 | 5E11 | .. | 70 - 67 | AH108414 | 3F14 | 15 | 40 - 95 | AH115321 | 6E25 | 6 | 90 - 83 |
| AE37848 | 5E14 | .. | 70 - 71 | AH108693 | 8D10 | 14 | 121 - 41 | AH115347 | 1B18 | 1 | 20 - 1 |
| AE38021 | 5E7 | 37 | 70 - 63 | AH108801 | 8D2 | 5 | 121 - 33 | AH115487 | 4B22 | 15 | 50 - 3 |
| AE38734 | 5E7 | 16 | 70 - 63 | AH108813 | 8B23 | 1 | 121 - 5 | AH115579 | 1C2 | 18 | 20 - 9 |
| AE41319 | 5D22 | 5 | 70 - 52 | AH108813 | 8D8 | 5 | 121 - 39 | AH115639 | 1B18 | 15 | 20 - 1 |
| AE41319 | 5D22 | 11 | 70 - 52 | AH108816 | 4H12 | 2 | 60 - 25 | AH115639 | 1B20 | 29 | 20 - 3 |
| AE42998 | 9C13 | 6 | 130 - 21 | AH108816 | 6E15 | 2 | 90 - 73 | AH115797 | 3B25 | 5 | 40 - 5 |
| AE44392 | 3D12 | 15 | 40 - 45 | AH10888 | 1B20 | 16 | 20 - 3 | AH115799 | 3B25 | 6 | 40 - 5 |
| AE44392 | 3D14 | 23 | 40 - 47 | AH109056 | 8D2 | 43 | 121 - 33 | AH115800 | 3B25 | 7 | 40 - 5 |
| AE44392 | 3D18 | 13 | 40 - 51 | AH109120 | 3C10 | 11 | 40 - 15 | AH115833 | 6C25 | 1 | 90 - 32 |
| AE44929 | 3G11 | 13 | 40 - 117 | AH109120 | 3C10 | 18 | 40 - 15 | AH115836 | 6E19 | 8 | 90 - 77 |
| AE44930 | 3D8 | 7 | 40 - 41 | AH109120 | 3C10 | 25 | 40 - 15 | AH115943 | 3F16 | 1 | 40 - 97 |
| AE44930 | 3D8 | 11 | 40 - 41 | AH109120 | 3C10 | 28 | 40 - 15 | AH116006 | 5F8 | 9 | 70 - 91 |
| AE44930 | 3D8 | 12 | 40 - 41 | AH109197 | 8D14 | 20 | 121 - 45 | AH116104 | 3D10 | 16 | 40 - 43 |
| AE44930 | 3E12 | 21 | 40 - 69 | AH109197 | 8D24 | 27 | 121 - 55 | AH116104 | 3D18 | 5 | 40 - 51 |
| AE44931 | 3D8 | 9 | 40 - 41 | AH109197 | 8E12 | 7 | 121 - 67 | AH116104 | 3H4 | 12 | 40 - 135 |
| AE44931 | 3G11 | 12 | 40 - 117 | AH109197 | 8I3 | 14 | 125 - 59 | AH116104 | 4C24 | 25 | 50 - 29 |
| AE46606 | 6G22 | 17 | 110 - 31 | AH109197 | 9C2 | 11 | 130 - 9 | AH116105 | 3E4 | 1 | 40 - 61 |
| AE49003 | 5E11 | 15 | 70 - 67 | AH109555 | 3B21 | 6 | 40 - 1 | AH116105 | 3E6 | 24 | 40 - 63 |
| AE49003 | 5E11 | 17 | 70 - 67 | AH109788 | 1B24 | 9 | 20 - 7 | AH116105 | 5D22 | 7 | 70 - 52 |
| AE49003 | 5E14 | 15 | 70 - 71 | AH109788 | 6G22 | 13 | 110 - 31 | AH116105 | 5G8 | 9 | 70 - 115 |
| AE49003 | 5E14 | 17 | 70 - 71 | AH109788 | 6H10 | 16 | 110 - 43 | AH116110 | 3C16 | 6 | 40 - 23 |
| AE49003 | 5E16 | .. | 70 - 73 | AH109874 | 6C14 | 1 | 90 - 21 | AH116110 | 3C18 | 5 | 40 - 25 |
| AE49773 | 6H22 | 1 | 110 - 55 | AH11015 | 8H2 | 6 | 125 - 33 | AH116110 | 6E23 | 8 | 90 - 81 |
| AE49777 | 5E7 | 35 | 70 - 63 | AH110674 | 6D16 | 2 | 90 - 49 | AH116123 | 2F18 | 3 | 30 - 3 |
| AE49777 | 5E11 | .. | 70 - 67 | AH110887 | 8D2 | 31 | 121 - 33 | AH116232 | 6H10 | 21 | 110 - 43 |
| AE49777 | 5E16 | .. | 70 - 73 | AH111354 | 9D19 | 22 | 130 - 51 | AH116313 | 6D16 | 1 | 90 - 49 |
| AE50995 | 5E7 | 35 | 70 - 63 | AH111447 | 8D6 | 14 | 121 - 37 | AH116390 | 9E3 | 4 | 130 - 60 |
| AE50995 | 5E16 | .. | 70 - 73 | AH111447 | 8D24 | 25 | 121 - 55 | AH116632 | 5C24 | 18 | 70 - 29 |
| AF1466R | 8D2 | 46 | 121 - 33 | AH111704 | 3C10 | 13 | 40 - 15 | AH116902 | 3C8 | 4 | 40 - 13 |
| AH100012 | 3D23 | 1 | 40 - 56 | AH111705 | 3C10 | 16 | 40 - 15 | AH116902 | 3C8 | 7 | 40 - 13 |
| AH100013 | 3D23 | 6 | 40 - 56 | AH111705 | 3C10 | 21 | 40 - 15 | AH116902 | 4B22 | 17A | 50 - 3 |

NUMERICAL INDEX - CONTINUED

| PART NO. | GRID | KEY | PAGE | PART NO. | GRID | KEY | PAGE | PART NO. | GRID | KEY | PAGE |
|----------|------|-----|----------|----------|------|-----|----------|----------|------|-----|----------|
| AH116902 | 4H12 | 40 | 60 - 25 | AH120836 | 6E25 | 6 | 90 - 83 | AH122352 | 4B24 | 1 | 50 - 5 |
| AH116902 | 6E15 | 40 | 90 - 73 | AH120854 | 1C16 | 9 | 20 - 23 | AH122444 | 6E19 | 13 | 90 - 77 |
| AH117017 | 3E14 | 20 | 40 - 71 | AH120854 | 5G4 | 1 | 70 - 111 | AH122451 | 8D8 | 14 | 121 - 39 |
| AH117018 | 3E14 | 20 | 40 - 71 | AH120871 | 4H22 | 16 | 60 - 35 | AH122506 | 9B20 | 26 | 130 - 3 |
| AH117067 | 6E6 | 1 | 90 - 63 | AH120875 | 4H22 | 17 | 60 - 35 | AH122507 | 9C21 | 8 | 130 - 29 |
| AH117264 | 8G4 | 1 | 125 - 11 | AH120887 | 6C2 | 1 | 90 - 9 | AH122575 | 4C10 | 8 | 50 - 15 |
| AH117276 | 9B20 | 28 | 130 - 3 | AH120888 | 6C2 | 8 | 90 - 9 | AH122616 | 5I12 | 9 | 80 - 47 |
| AH117278 | 9B20 | 18 | 130 - 3 | AH120889 | 6C2 | 2A | 90 - 9 | AH122619 | 5I12 | 18 | 80 - 47 |
| AH117279 | 9B20 | 18 | 130 - 3 | AH120890 | 6C2 | 7 | 90 - 9 | AH122648 | 6D16 | 8 | 90 - 49 |
| AH117301 | 3C10 | 36 | 40 - 15 | AH120891 | 6C2 | 5 | 90 - 9 | AH122685 | 8C20 | 29 | 121 - 27 |
| AH117301 | 3D10 | 5 | 40 - 43 | AH120892 | 6B23 | 9 | 90 - 5 | AH122685 | 8C24 | 2 | 121 - 31 |
| AH117301 | 3E12 | 19 | 40 - 69 | AH120900 | 3F8 | 10 | 40 - 89 | AH122717 | 9D19 | 2B | 130 - 51 |
| AH117301 | 5H6 | 28 | 80 - 17 | AH120907 | 8D10 | 10 | 121 - 41 | AH122717 | 9D19 | 7 | 130 - 51 |
| AH117301 | 6E23 | 10 | 90 - 81 | AH120918 | 7D10 | 12 | 120 - 41 | AH122742 | 4E15 | 1 | 50 - 69 |
| AH117301 | 8C4 | 20 | 121 - 11 | AH120918 | 8D24 | 3 | 121 - 55 | AH122743 | 4E15 | 1 | 50 - 69 |
| AH117418 | 4F24 | 15 | 50 - 103 | AH120918 | 9E20 | 3 | 170 - 5 | AH122863 | 8D16 | 16 | 121 - 47 |
| AH117566 | 4H23 | 5 | 60 - 36 | AH120972 | 6G3 | 14 | 110 - 10 | AH122863 | 8D22 | 36 | 121 - 53 |
| AH117643 | 8B23 | 6 | 121 - 5 | AH120972 | 6H12 | 1 | 110 - 45 | AH122867 | 6E23 | 4 | 90 - 81 |
| AH117662 | 4I14 | 4 | 60 - 51 | AH120978 | 8B21 | 5 | 121 - 3 | AH122917 | 8F23 | 5 | 125 - 5 |
| AH117782 | 1C10 | 3 | 20 - 17 | AH121007 | 8D8 | 27 | 121 - 39 | AH122917 | 8G6 | 1 | 125 - 13 |
| AH117788 | 3E18 | 2 | 40 - 75 | AH121007 | 8I15 | 3 | 125 - 71 | AH122946 | 8F21 | 5 | 125 - 3 |
| AH117789 | 3E18 | 17 | 40 - 75 | AH121009 | 7C10 | 10 | 120 - 17 | AH122946 | 8F23 | 40 | 125 - 5 |
| AH117790 | 3E18 | 13 | 40 - 75 | AH121009 | 7C22 | 10 | 120 - 29 | AH122977 | 9G4 | .. | 170 - 37 |
| AH117791 | 3E18 | 14 | 40 - 75 | AH121009 | 7D10 | 21 | 120 - 41 | AH122977 | 9G11 | .. | 170 - 45 |
| AH118250 | 9B20 | 18 | 130 - 3 | AH121009 | 8C22 | 10 | 121 - 29 | AH123011 | 8F23 | 21 | 125 - 5 |
| AH118337 | 4F4 | 11 | 50 - 83 | AH121009 | 8I15 | 5 | 125 - 71 | AH123014 | 3C4 | 4 | 40 - 9 |
| AH118337 | 4F10 | 10 | 50 - 89 | AH121009 | 8I17 | 1 | 125 - 73 | AH123015 | 3C4 | 4 | 40 - 9 |
| AH118337 | 4F12 | 10 | 50 - 91 | AH121009 | 8I17 | 5 | 125 - 73 | AH123016 | 3C4 | 4 | 40 - 9 |
| AH118337 | 5D21 | 1 | 70 - 51 | AH121046 | 8I7 | 19 | 125 - 63 | AH123017 | 3C4 | 4 | 40 - 9 |
| AH118443 | 1C4 | 16 | 20 - 11 | AH121046 | 8I9 | 21 | 125 - 65 | AH123025 | 3D10 | 14 | 40 - 43 |
| AH118796 | 3C16 | 1 | 40 - 23 | AH121047 | 8H18 | 31 | 125 - 49 | AH123025 | 4G20 | 10 | 60 - 9 |
| AH118796 | 3C23 | 1 | 40 - 30 | AH121149 | 4E12 | 16 | 50 - 66 | AH123436 | 9D19 | 11 | 130 - 51 |
| AH118993 | 9E2 | 8 | 130 - 59 | AH121150 | 4E12 | 15 | 50 - 66 | AH123437 | 9D19 | 11 | 130 - 51 |
| AH119092 | 4E17 | 7 | 50 - 71 | AH121150 | 4E12 | 16 | 50 - 66 | AH123602 | 9D12 | 11 | 130 - 45 |
| AH119770 | 8E20 | 18 | 121 - 75 | AH121190 | 3C10 | 8 | 40 - 15 | AH123792 | 1B22 | 11 | 20 - 5 |
| AH119770 | 8F14 | 9 | 121 - 93 | AH121199 | 3C10 | 7 | 40 - 15 | AH123900 | 3C25 | 1 | 40 - 33 |
| AH119834 | 3G15 | .. | 40 - 121 | AH121234 | 3E6 | 12 | 40 - 63 | AH123901 | 3C25 | 3 | 40 - 33 |
| AH120160 | 5F8 | 7 | 70 - 91 | AH121340 | 4H12 | 29 | 60 - 25 | AH123902 | 3C25 | 2 | 40 - 33 |
| AH120209 | 6H4 | 31 | 110 - 37 | AH121340 | 6E15 | 29 | 90 - 73 | AH123903 | 3C25 | 30 | 40 - 33 |
| AH120216 | 5H12 | 8 | 80 - 23 | AH121475 | 3E12 | 10 | 40 - 69 | AH123904 | 3C25 | 35 | 40 - 33 |
| AH120419 | 6C25 | 4 | 90 - 32 | AH121475 | 3E14 | 3 | 40 - 71 | AH123905 | 3C25 | 24 | 40 - 33 |
| AH120443 | 3C2 | 12 | 40 - 7 | AH121492 | 8F23 | 33 | 125 - 5 | AH123907 | 3C25 | 21 | 40 - 33 |
| AH120443 | 6D3 | 12 | 90 - 35 | AH121580 | 4C20 | 18 | 50 - 25 | AH123908 | 3C25 | 17 | 40 - 33 |
| AH120444 | 3C2 | 11 | 40 - 7 | AH121605 | 5D4 | 4 | 70 - 33 | AH123909 | 3C25 | 28 | 40 - 33 |
| AH120444 | 6D3 | 11 | 90 - 35 | AH121606 | 4B24 | 10 | 50 - 5 | AH123910 | 3C25 | 27 | 40 - 33 |
| AH120445 | 3C2 | 13 | 40 - 7 | AH121613 | 6C2 | 6 | 90 - 9 | AH123911 | 3C25 | 29 | 40 - 33 |
| AH120445 | 6D3 | 13 | 90 - 35 | AH121643 | 5C7 | 6 | 70 - 12 | AH123912 | 9D8 | 4 | 130 - 41 |
| AH120446 | 6C25 | 5 | 90 - 32 | AH121657 | 8C18 | 24A | 121 - 25 | AH123913 | 8C6 | 18 | 121 - 13 |
| AH120501 | 7B21 | 1 | 120 - 3 | AH121658 | 8C18 | 13 | 121 - 25 | AH123921 | 5H24 | 4A | 80 - 35 |
| AH120541 | 6C10 | 6 | 90 - 17 | AH121922 | 4C15 | 1 | 50 - 20 | AH123931 | 3D2 | 3 | 40 - 35 |
| AH120546 | 6E19 | 10 | 90 - 77 | AH121923 | 4C15 | 1 | 50 - 20 | AH123932 | 3D2 | 23 | 40 - 35 |
| AH120547 | 6E19 | 19 | 90 - 77 | AH121996 | 7D11 | 1 | 120 - 42 | AH123933 | 3D2 | 26 | 40 - 35 |
| AH120570 | 3C2 | 5 | 40 - 7 | AH122080 | 7E4 | 4 | 120 - 59 | AH123934 | 3D2 | 8 | 40 - 35 |
| AH120570 | 6D3 | 5 | 90 - 35 | AH122080 | 7E12 | 5 | 120 - 67 | AH124006 | 4F14 | 23 | 50 - 93 |
| AH120637 | 4G22 | 2 | 60 - 11 | AH122080 | 7E16 | 7 | 120 - 69 | AH124006 | 4F16 | 13 | 50 - 95 |
| AH120637 | 4G24 | 1 | 60 - 13 | AH122080 | 7E20 | 5 | 120 - 73 | AH124008 | 4F4 | 9 | 50 - 83 |
| AH120637 | 4H2 | 32 | 60 - 15 | AH122099 | 6C20 | 18 | 90 - 27 | AH124008 | 4F10 | 8 | 50 - 89 |
| AH120645 | 5H12 | 11 | 80 - 23 | AH122099 | 6C22 | 5 | 90 - 29 | AH124008 | 4F12 | 8 | 50 - 91 |
| AH120736 | 4C16 | 7 | 50 - 21 | AH122100 | 4I14 | 4 | 60 - 51 | AH124050 | 8E2 | 3 | 121 - 57 |
| AH120737 | 8C2 | 15 | 121 - 9 | AH122139 | 3F16 | 5 | 40 - 97 | AH124376 | 8C20 | 43 | 121 - 27 |
| AH120738 | 8B25 | 10 | 121 - 7 | AH122240 | 8C8 | 1 | 121 - 15 | AH124472 | 7D6 | 2 | 120 - 37 |
| AH120815 | 1C2 | 5 | 20 - 9 | AH122240 | 8C20 | 1 | 121 - 27 | AH124502 | 9C15 | 19 | 130 - 23 |
| AH120817 | 1C2 | 13 | 20 - 9 | AH122244 | 5H4 | 10 | 80 - 15 | AH124509 | 9D13 | 11 | 130 - 46 |
| AH120819 | 1C4 | 5 | 20 - 11 | AH122244 | 5H8 | 10 | 80 - 19 | AH124550 | 1C4 | 18 | 20 - 11 |
| AH120836 | 1C16 | 1 | 20 - 23 | AH122250 | 4B24 | 11 | 50 - 5 | AH124567 | 3E16 | 1A | 40 - 73 |
| AH120836 | 5G4 | 1 | 70 - 111 | AH122311 | 3E18 | 4 | 40 - 75 | AH124573 | 7D6 | 9 | 120 - 37 |
| AH120836 | 5G4 | 4 | 70 - 111 | AH122352 | 4B22 | 16 | 50 - 3 | AH124635 | 8F6 | 5 | 121 - 85 |

NUMERICAL INDEX - CONTINUED

| PART NO. | GRID | KEY | PAGE | PART NO. | GRID | KEY | PAGE | PART NO. | GRID | KEY | PAGE |
|----------|------|-----|----------|----------|------|-----|----------|----------|------|-----|----------|
| AH124635 | 8F8 | 5 | 121 - 87 | AH125454 | 6H18 | 3 | 110 - 51 | AH125788 | 5H12 | 16 | 80 - 23 |
| AH124731 | 5E3 | 3 | 70 - 58 | AH125478 | 5I4 | 1 | 80 - 39 | AH125814 | 9C23 | 41 | 130 - 31 |
| AH124731 | 5E7 | 3 | 70 - 63 | AH125478 | 9C23 | 18 | 130 - 31 | AH125820 | 5H22 | 10 | 80 - 33 |
| AH124731 | 5E9 | 3 | 70 - 65 | AH125485 | 3F16 | 10 | 40 - 97 | AH125821 | 5H22 | 11 | 80 - 33 |
| AH124731 | 5E11 | 3 | 70 - 67 | AH125490 | 8B25 | 11 | 121 - 7 | AH125894 | 8I7 | 9 | 125 - 63 |
| AH124731 | 5E14 | 3 | 70 - 71 | AH125505 | 6E19 | 24 | 90 - 77 | AH125894 | 8I9 | 9 | 125 - 65 |
| AH124731 | 5E16 | 3 | 70 - 73 | AH125513 | 6G13 | 7 | 110 - 21 | AH125905 | 9D2 | 5 | 130 - 35 |
| AH124731 | 5E18 | 18 | 70 - 75 | AH125533 | 5H18 | 5 | 80 - 29 | AH125910 | 5D11 | 18 | 70 - 41 |
| AH124731 | 5E20 | 18 | 70 - 77 | AH125533 | 5H18 | 13 | 80 - 29 | AH125910 | 9E11 | 5 | 160 - 2 |
| AH124731 | 5E23 | 18 | 70 - 81 | AH125534 | 5H18 | 5 | 80 - 29 | AH125910 | 9E12 | 18 | 160 - 3 |
| AH124826 | 8D14 | 2 | 121 - 45 | AH125534 | 5H18 | 12 | 80 - 29 | AH125941 | 4F20 | 28 | 50 - 99 |
| AH124828 | 8D14 | 16 | 121 - 45 | AH125535 | 5H18 | 5 | 80 - 29 | AH125950 | 9C25 | 1 | 130 - 33 |
| AH124832 | 5C24 | 21 | 70 - 29 | AH125541 | 6D9 | 9 | 90 - 41 | AH125958 | 4C14 | 17 | 50 - 19 |
| AH124833 | 2F20 | 15 | 30 - 5 | AH125555 | 9B22 | 5 | 130 - 5 | AH125958 | 6D5 | 17 | 90 - 37 |
| AH124852 | 9D6 | 2 | 130 - 39 | AH125556 | 9E3 | 6 | 130 - 60 | AH125963 | 6C6 | 8 | 90 - 13 |
| AH124857 | 6E6 | 13 | 90 - 63 | AH125559 | 9B22 | 9 | 130 - 5 | AH125966 | 7E22 | 9A | 120 - 75 |
| AH124878 | 9D6 | 3 | 130 - 39 | AH125574 | 5G21 | 22A | 80 - 7 | AH125966 | 7E24 | 2A | 120 - 77 |
| AH124881 | 6C10 | 13 | 90 - 17 | AH125575 | 5G21 | 19 | 80 - 7 | AH125967 | 7E10 | 1B | 120 - 65 |
| AH124882 | 6C10 | 11 | 90 - 17 | AH125584 | 5H18 | 6 | 80 - 29 | AH125967 | 7E10 | 2A | 120 - 65 |
| AH124932 | 3D6 | 1 | 40 - 39 | AH125585 | 5H18 | 6 | 80 - 29 | AH125969 | 7E18 | 10 | 120 - 71 |
| AH124937 | 8C18 | 16 | 121 - 25 | AH125587 | 4C8 | 1 | 50 - 13 | AH125969 | 7E24 | 12 | 120 - 77 |
| AH124940 | 4B22 | 5 | 50 - 3 | AH125588 | 4C8 | 1 | 50 - 13 | AH125970 | 7E18 | 10 | 120 - 71 |
| AH124945 | 2F18 | 19 | 30 - 3 | AH125602 | 9B24 | 5 | 130 - 7 | AH125970 | 7E24 | 12 | 120 - 77 |
| AH124945 | 5H12 | 6 | 80 - 23 | AH125627 | 3B25 | 1 | 40 - 5 | AH125971 | 7E18 | 6A | 120 - 71 |
| AH125010 | 3D8 | 14 | 40 - 41 | AH125640 | 5I10 | 2 | 80 - 45 | AH125971 | 7E22 | 8A | 120 - 75 |
| AH125010 | 4C14 | 11 | 50 - 19 | AH125641 | 5I10 | 1 | 80 - 45 | AH125973 | 4I2 | 11A | 60 - 39 |
| AH125010 | 6D5 | 11 | 90 - 37 | AH125642 | 5I10 | 3 | 80 - 45 | AH125975 | 7E10 | 14 | 120 - 65 |
| AH125036 | 3D20 | 9 | 40 - 53 | AH125643 | 6B25 | 4 | 90 - 7 | AH125975 | 7E18 | 17 | 120 - 71 |
| AH125036 | 3E4 | 23 | 40 - 61 | AH125644 | 5I10 | 17 | 80 - 45 | AH125976 | 7E18 | 15A | 120 - 71 |
| AH125068 | 9D21 | 22 | 130 - 53 | AH125644 | 9C21 | 6 | 130 - 29 | AH125998 | 8F21 | 7 | 125 - 3 |
| AH125070 | 9D23 | 15 | 130 - 55 | AH125653 | 8D16 | 20 | 121 - 47 | AH126007 | 8I5 | 34 | 125 - 61 |
| AH125070 | 9D23 | 16 | 130 - 55 | AH125653 | 8D18 | 6 | 121 - 49 | AH126007 | 8I7 | 18 | 125 - 63 |
| AH125080 | 9D4 | 21 | 130 - 37 | AH125654 | 4I8 | 5 | 60 - 45 | AH126007 | 8I9 | 20 | 125 - 65 |
| AH125193 | 8C20 | 37 | 121 - 27 | AH125655 | 4I8 | 6 | 60 - 45 | AH126008 | 8I5 | 33 | 125 - 61 |
| AH125193 | 8C20 | 39 | 121 - 27 | AH125658 | 4H23 | 22 | 60 - 36 | AH126013 | 5G21 | 1 | 80 - 7 |
| AH125193 | 8C20 | 40 | 121 - 27 | AH125672 | 3E2 | 10 | 40 - 59 | AH126015 | 5G21 | 2 | 80 - 7 |
| AH125195 | 6G22 | 19 | 110 - 31 | AH125673 | 1C2 | 6 | 20 - 9 | AH126016 | 5G21 | 3 | 80 - 7 |
| AH125200 | 4I2 | 10 | 60 - 39 | AH125684 | 5H10 | 3 | 80 - 21 | AH126034 | 6E23 | 22 | 90 - 81 |
| AH125200 | 7E18 | 8 | 120 - 71 | AH125685 | 5H10 | 11 | 80 - 21 | AH126034 | 6E25 | 2 | 90 - 83 |
| AH125200 | 7E22 | 6 | 120 - 75 | AH125686 | 5G21 | 5 | 80 - 7 | AH126036 | 6E23 | 21 | 90 - 81 |
| AH125200 | 7E24 | 3 | 120 - 77 | AH125690 | 8C8 | 7 | 121 - 15 | AH126036 | 6E25 | 4 | 90 - 83 |
| AH125201 | 7E18 | 13 | 120 - 71 | AH125692 | 7D22 | 5 | 120 - 53 | AH126036 | 6F2 | 4 | 90 - 85 |
| AH125207 | 8B21 | .. | 121 - 3 | AH125692 | 7D22 | 7 | 120 - 53 | AH126044 | 6E25 | 20 | 90 - 83 |
| AH125207 | 8B23 | .. | 121 - 5 | AH125693 | 7D22 | 5 | 120 - 53 | AH126052 | 9C15 | 14A | 130 - 23 |
| AH125207 | 8C4 | 3 | 121 - 11 | AH125693 | 7D22 | 7 | 120 - 53 | AH126091 | 6H4 | 11 | 110 - 37 |
| AH125207 | 8C6 | .. | 121 - 13 | AH125716 | 4F14 | 17 | 50 - 93 | AH126094 | 8D22 | 35 | 121 - 53 |
| AH125208 | 1B22 | 1 | 20 - 5 | AH125716 | 4F16 | 12 | 50 - 95 | AH126097 | 7E10 | 7A | 120 - 65 |
| AH125225 | 4I4 | 5 | 60 - 41 | AH125733 | 5D7 | 2 | 70 - 36 | AH126122 | 5D19 | 17 | 70 - 49 |
| AH125228 | 4C20 | 16 | 50 - 25 | AH125744 | 3D18 | 2 | 40 - 51 | AH126169 | 4F25 | 7 | 50 - 104 |
| AH125233 | 4C17 | 6 | 50 - 22 | AH125744 | 3E2 | 24 | 40 - 59 | AH126169 | 8H4 | 3 | 125 - 35 |
| AH125240 | 3C10 | 33 | 40 - 15 | AH125760 | 4D7 | 22 | 50 - 36 | AH126182 | 5I6 | 1A | 80 - 41 |
| AH125243 | 8C10 | .. | 121 - 17 | AH125760 | 4D8 | 22 | 50 - 37 | AH126188 | 8D20 | 24 | 121 - 51 |
| AH125243 | 8C12 | 17 | 121 - 19 | AH125760 | 4D12 | 10 | 50 - 41 | AH126190 | 7D14 | 2 | 120 - 45 |
| AH125243 | 8C14 | .. | 121 - 21 | AH125760 | 4D14 | 22 | 50 - 43 | AH126194 | 4E25 | 12 | 50 - 79 |
| AH125243 | 8C16 | .. | 121 - 23 | AH125760 | 4D15 | 22 | 50 - 44 | AH126195 | 4E25 | 11 | 50 - 79 |
| AH125262 | 9C21 | 4 | 130 - 29 | AH125760 | 4D22 | 10 | 50 - 51 | AH126207 | 8H18 | 8 | 125 - 49 |
| AH125278 | 9D2 | 4 | 130 - 35 | AH125760 | 5C2 | 18 | 70 - 7 | AH126213 | 7D22 | 3 | 120 - 53 |
| AH125285 | 9D2 | 19 | 130 - 35 | AH125760 | 5E18 | 2 | 70 - 75 | AH126221 | 8F23 | 9 | 125 - 5 |
| AH125287 | 9D2 | 13 | 130 - 35 | AH125760 | 5E20 | 2 | 70 - 77 | AH126239 | 8H18 | 32 | 125 - 49 |
| AH125290 | 9D2 | 7 | 130 - 35 | AH125760 | 5E23 | 2 | 70 - 81 | AH126240 | 5D24 | 18 | 70 - 55 |
| AH125293 | 8C6 | 11 | 121 - 13 | AH125760 | 5E25 | 21 | 70 - 83 | AH126242 | 4F14 | 31 | 50 - 93 |
| AH125293 | 8C6 | .. | 121 - 13 | AH125760 | 5G8 | 11 | 70 - 115 | AH126242 | 5D24 | 21 | 70 - 55 |
| AH125295 | 8C6 | .. | 121 - 13 | AH125782 | 6G2 | 12 | 110 - 9 | AH126254 | 4H10 | 4 | 60 - 23 |
| AH125306 | 5I2 | 1 | 80 - 37 | AH125782 | 6H20 | 25 | 110 - 53 | AH126265 | 6C6 | .. | 90 - 13 |
| AH125306 | 9C23 | 30 | 130 - 31 | AH125783 | 6G2 | 4 | 110 - 9 | AH126272 | 3E2 | 3 | 40 - 59 |
| AH125390 | 7F12 | 3A | 120 - 89 | AH125785 | 6E6 | 6 | 90 - 63 | AH126275 | 9C23 | 35 | 130 - 31 |
| AH125390 | 9C25 | 4 | 130 - 33 | AH125787 | 5H12 | 17 | 80 - 23 | AH126276 | 8C8 | 18 | 121 - 15 |

NUMERICAL INDEX - CONTINUED

| PART NO. | GRID | KEY | PAGE | PART NO. | GRID | KEY | PAGE | PART NO. | GRID | KEY | PAGE |
|----------|------|-----|-----------|----------|------|-----|----------|----------|------|-----|----------|
| AH126279 | 9C23 | 6 | 130 - 31 | AH127674 | 6B23 | 2 | 90 - 5 | AH128406 | 3D10 | 4 | 40 - 43 |
| AH126280 | 9D10 | 1 | 130 - 43 | AH127677 | 3F16 | 6 | 40 - 97 | AH128406 | 3D12 | 1 | 40 - 45 |
| AH126281 | 9D10 | 4 | 130 - 43 | AH127684 | 6E23 | 6 | 90 - 81 | AH128406 | 3D16 | 11 | 40 - 49 |
| AH126282 | 9D10 | 10 | 130 - 43 | AH127685 | 6E23 | 7 | 90 - 81 | AH128406 | 9E14 | 3 | 160 - 5 |
| AH126283 | 9D10 | 6 | 130 - 43 | AH127704 | 5I4 | 8 | 80 - 39 | AH128411 | 3E4 | 24 | 40 - 61 |
| AH126284 | 9D10 | 11 | 130 - 43 | AH127716 | 5I2 | 9 | 80 - 37 | AH128411 | 3E8 | 32 | 40 - 65 |
| AH126294 | 7C8 | 4A | 120 - 15 | AH127718 | 3C3 | 2 | 40 - 8 | AH128413 | 3F4 | 7 | 40 - 85 |
| AH126352 | 5I12 | 21 | 80 - 47 | AH127718 | 3F7 | 4 | 40 - 88 | AH128413 | 3F5 | 7 | 40 - 86 |
| AH126354 | 9C2 | 6 | 130 - 9 | AH127726 | 7D22 | 2 | 120 - 53 | AH128414 | 3F4 | 1 | 40 - 85 |
| AH126388 | 8H18 | 18 | 125 - 49 | AH127829 | 7D2 | 15 | 120 - 33 | AH128415 | 3B23 | 1 | 40 - 3 |
| AH126389 | 5C18 | 9 | 70 - 23 | AH127837 | 5H10 | 13 | 80 - 21 | AH128415 | 3D6 | 14 | 40 - 39 |
| AH126402 | 4B24 | 2 | 50 - 5 | AH127866 | 9E2 | 45 | 130 - 59 | AH128418 | 3D16 | 1 | 40 - 49 |
| AH126416 | 6G22 | 6 | 110 - 31 | AH127866 | 9E20 | 4 | 170 - 5 | AH128418 | 3D18 | 1 | 40 - 51 |
| AH126416 | 6G24 | 6 | 110 - 33 | AH127870 | 7E4 | 13 | 120 - 59 | AH128419 | 3C8 | 1 | 40 - 13 |
| AH126532 | 4E19 | 30 | 50 - 73 | AH127881 | 4E25 | 13 | 50 - 79 | AH128421 | 3E2 | 15 | 40 - 59 |
| AH126538 | 8D12 | 3 | 121 - 43 | AH127881 | 4F2 | 15 | 50 - 81 | AH128427 | 3E4 | 24 | 40 - 61 |
| AH126541 | 3E14 | 7 | 40 - 71 | AH127881 | 4F4 | 12 | 50 - 83 | AH128427 | 3E8 | 32 | 40 - 65 |
| AH126555 | 3E2 | 2 | 40 - 59 | AH127881 | 4F8 | 14 | 50 - 87 | AH128429 | 3D8 | 16 | 40 - 41 |
| AH126564 | 5I8 | 11 | 80 - 43 | AH127887 | 5C4 | 1 | 70 - 9 | AH128432 | 3D8 | 17 | 40 - 41 |
| AH126589 | 7F2 | 11 | 120 - 79 | AH127887 | 8G14 | 14 | 125 - 21 | AH128433 | 3D18 | 1 | 40 - 51 |
| AH126619 | 9C21 | 14 | 130 - 29 | AH127893 | 5E2 | 3 | 70 - 57 | AH128434 | 3E12 | 20 | 40 - 69 |
| AH126620 | 5I12 | 24 | 80 - 47 | AH127974 | 6F13 | 15 | 90 - 97 | AH128447 | 5D9 | 2A | 70 - 39 |
| AH126657 | 4H16 | 14 | 60 - 29 | AH127975 | 9D23 | 5 | 130 - 55 | AH128447 | 6G7 | 4A | 110 - 15 |
| AH126657 | 4H18 | 10 | 60 - 31 | AH127976 | 9D23 | 6 | 130 - 55 | AH128448 | 5G6 | 13 | 70 - 113 |
| AH126657 | 5B24 | 6 | 70 - 5 | AH127986 | 7C16 | 23 | 120 - 23 | AH128449 | 4D7 | 24 | 50 - 36 |
| AH126657 | 5C16 | 14 | 70 - 21 | AH128014 | 5I8 | 8 | 80 - 43 | AH128449 | 4D8 | 24 | 50 - 37 |
| AH126657 | 5C20 | 8 | 70 - 25 | AH128015 | 3C2 | 7 | 40 - 7 | AH128449 | 4D14 | 24 | 50 - 43 |
| AH126657 | 5C24 | 5 | 70 - 29 | AH128015 | 6D3 | 7 | 90 - 35 | AH128449 | 4D15 | 24 | 50 - 44 |
| AH126657 | 5D2 | 16 | 70 - 31 | AH128037 | 9C23 | 9 | 130 - 31 | AH128449 | 5D7 | 1 | 70 - 36 |
| AH126677 | 8H18 | 13 | 125 - 49 | AH128038 | 9D8 | 15 | 130 - 41 | AH128449 | 5G6 | 11 | 70 - 113 |
| AH126705 | 9D23 | 16 | 130 - 55 | AH128046 | 4C6 | 1 | 50 - 11 | AH128449 | 5G6 | 13 | 70 - 113 |
| AH126719 | 7C10 | 13 | 120 - 17 | AH128047 | 4C7 | 1 | 50 - 12 | AH128450 | 5G6 | 10 | 70 - 113 |
| AH126720 | 7C10 | 12 | 120 - 17 | AH128072 | 6H2 | 1 | 110 - 35 | AH128451 | 5G6 | 5 | 70 - 113 |
| AH126808 | 4I9 | 2 | 60 - 46 | AH128074 | 9E2 | 37 | 130 - 59 | AH128452 | 6D7 | 12 | 90 - 39 |
| AH126811 | 3C10 | 5 | 40 - 15 | AH128075 | 9E2 | 37 | 130 - 59 | AH128452 | 6F25 | 12 | 110 - 7 |
| AH126831 | 3B21 | 3 | 40 - 1 | AH128226 | 8C8 | 9 | 121 - 15 | AH128457 | 7E6 | 4 | 120 - 61 |
| AH126834 | 6B23 | 8 | 90 - 5 | AH128238 | 6H2 | 9 | 110 - 35 | AH128460 | 7E22 | 1 | 120 - 75 |
| AH126837 | 9D23 | 19 | 130 - 55 | AH128251 | 8F4 | 12 | 121 - 83 | AH128463 | 7E18 | 2 | 120 - 71 |
| AH126837 | 9E19 | 2 | 170 - 4 | AH128257 | 1C16 | 4 | 20 - 23 | AH128466 | 4I2 | 8A | 60 - 39 |
| AH126838 | 5H18 | 5 | 80 - 29 | AH128257 | 5G25 | 6 | 80 - 11 | AH128528 | 4C20 | 1 | 50 - 25 |
| AH126839 | 5H18 | 5 | 80 - 29 | AH128258 | 1C16 | 2 | 20 - 23 | AH128528 | 4C20 | .. | 50 - 25 |
| AH126864 | 9D2 | 21 | 130 - 35 | AH128267 | 4C18 | 10 | 50 - 23 | AH128530 | 7F2 | 6 | 120 - 79 |
| AH126865 | 8I3 | 13 | 125 - 59 | AH128306 | 7D22 | 16 | 120 - 53 | AH128554 | 9C21 | 27 | 130 - 29 |
| AH126879 | 7C24 | 9 | 120 - 31 | AH128312 | 7D20 | 31 | 120 - 51 | AH128581 | 8I5 | 20 | 125 - 61 |
| AH127275 | 5I4 | 6 | 80 - 39 | AH128327 | 3C3 | 3 | 40 - 8 | AH128584 | 5C18 | 4 | 70 - 23 |
| AH127383 | 6D7 | 14 | 90 - 39 | AH128328 | 3C3 | 3 | 40 - 8 | AH128585 | 6C4 | 13 | 90 - 11 |
| AH127383 | 6F25 | 14 | 110 - 7 | AH128328 | 3F7 | 6 | 40 - 88 | AH128596 | 5I2 | 7 | 80 - 37 |
| AH127390 | 6E6 | 8 | 90 - 63 | AH128349 | 6B21 | 10 | 90 - 3 | AH128597 | 5I4 | 12 | 80 - 39 |
| AH127397 | 9B22 | 9 | 130 - 5 | AH128356 | 4C14 | 19 | 50 - 19 | AH128598 | 5I4 | 10 | 80 - 39 |
| AH127425 | 7E12 | 11 | 120 - 67 | AH128356 | 6D5 | 19 | 90 - 37 | AH128598 | 5I8 | 17 | 80 - 43 |
| AH127434 | 7E16 | 10 | 120 - 69 | AH128359 | 8F6 | 5 | 121 - 85 | AH128610 | 6C14 | 23 | 90 - 21 |
| AH127466 | 7E4 | 9 | 120 - 59 | AH128359 | 8F8 | 5 | 121 - 87 | AH128610 | 6C16 | 15 | 90 - 23 |
| AH127466 | 7E12 | 10 | 120 - 67 | AH128360 | 7D10 | 7 | 120 - 41 | AH128633 | 2F18 | 23 | 30 - 3 |
| AH127466 | 7E14 | 12 | 120 - 67B | AH128361 | 7D10 | 9 | 120 - 41 | AH128639 | 5E2 | 10 | 70 - 57 |
| AH127468 | 7E16 | 1 | 120 - 69 | AH128383 | 8E4 | 5 | 121 - 59 | AH128640 | 5E2 | 8 | 70 - 57 |
| AH127477 | 7E4 | 10 | 120 - 59 | AH128384 | 8E4 | 1 | 121 - 59 | AH128641 | 5F6 | 1 | 70 - 89 |
| AH127477 | 7E12 | 2 | 120 - 67 | AH128384 | 8E6 | 1 | 121 - 61 | AH128642 | 5F6 | 12 | 70 - 89 |
| AH127477 | 7E20 | 2 | 120 - 73 | AH128384 | 8E8 | 1 | 121 - 63 | AH128649 | 6G3 | 24 | 110 - 10 |
| AH127496 | 8E2 | 4 | 121 - 57 | AH128385 | 8E4 | 5 | 121 - 59 | AH128654 | 4E14 | 14 | 50 - 68 |
| AH127572 | 3C2 | 9 | 40 - 7 | AH128385 | 8E6 | 5 | 121 - 61 | AH128654 | 4G12 | 14 | 60 - 1 |
| AH127572 | 6D3 | 9 | 90 - 35 | AH128391 | 4D2 | 5 | 50 - 31 | AH128654 | 5G13 | 14 | 70 - 120 |
| AH127599 | 4I6 | 1 | 60 - 43 | AH128397 | 3F16 | 11 | 40 - 97 | AH128655 | 3E6 | 22 | 40 - 63 |
| AH127602 | 8E20 | 37 | 121 - 75 | AH128401 | 3C12 | 3 | 40 - 19 | AH128655 | 4E14 | 16 | 50 - 68 |
| AH127604 | 9E3 | 14 | 130 - 60 | AH128401 | 3D8 | 16 | 40 - 41 | AH128655 | 4G12 | 16 | 60 - 1 |
| AH127610 | 7C12 | 26 | 120 - 19 | AH128402 | 3C16 | 2 | 40 - 23 | AH128655 | 5G8 | 28 | 70 - 115 |
| AH127656 | 4C3 | 4 | 50 - 8 | AH128404 | 3E12 | 20 | 40 - 69 | AH128655 | 5G13 | 16 | 70 - 120 |
| AH127662 | 6D11 | 8 | 90 - 43 | AH128406 | 3D8 | 17 | 40 - 41 | AH128664 | 8I1 | 2 | 125 - 57 |

NUMERICAL INDEX - CONTINUED

| PART NO. | GRID | KEY | PAGE | PART NO. | GRID | KEY | PAGE | PART NO. | GRID | KEY | PAGE |
|----------|------|-----|----------|----------|------|-----|----------|----------|------|-----|----------|
| AH128664 | 8I5 | 24 | 125 - 61 | AH128904 | 3C10 | 9 | 40 - 15 | AH129364 | 9B24 | 5 | 130 - 7 |
| AH128665 | 1B22 | 18 | 20 - 5 | AH128906 | 3E12 | 18 | 40 - 69 | AH129373 | 7C24 | 8 | 120 - 31 |
| AH128672 | 4E12 | 1 | 50 - 66 | AH128906 | 9D12 | 3A | 130 - 45 | AH129407 | 2F22 | 11A | 30 - 7 |
| AH128672 | 4E13 | 1 | 50 - 67 | AH128908 | 7E24 | 13 | 120 - 77 | AH129410 | 2F22 | 17 | 30 - 7 |
| AH128673 | 5H14 | 15 | 80 - 25 | AH128914 | 5H22 | 17 | 80 - 33 | AH129416 | 5F22 | 13 | 70 - 105 |
| AH128674 | 8E20 | 36 | 121 - 75 | AH128924 | 9E14 | 12 | 160 - 5 | AH129418 | 5F22 | 12 | 70 - 105 |
| AH128675 | 8E16 | 16A | 121 - 71 | AH128925 | 3C16 | 3 | 40 - 23 | AH129420 | 8D20 | 4 | 121 - 51 |
| AH128682 | 9D15 | 10 | 130 - 49 | AH128925 | 3C18 | 17 | 40 - 25 | AH129420 | 8E2 | 11 | 121 - 57 |
| AH128692 | 4F25 | 1 | 50 - 104 | AH128925 | 3C22 | 2 | 40 - 29 | AH129451 | 5G18 | 3 | 80 - 4 |
| AH128695 | 5H18 | 1A | 80 - 29 | AH128925 | 6E21 | 6 | 90 - 79 | AH129451 | 7D16 | 20 | 120 - 47 |
| AH128722 | 4C8 | 1 | 50 - 13 | AH128926 | 3C16 | 8 | 40 - 23 | AH129451 | 8D22 | 44 | 121 - 53 |
| AH128722 | 4C9 | 1 | 50 - 14 | AH128926 | 3C18 | 7 | 40 - 25 | AH129452 | 5G18 | 1 | 80 - 4 |
| AH128723 | 4H4 | 29 | 60 - 17 | AH128926 | 6E21 | 2 | 90 - 79 | AH129452 | 7D16 | 22 | 120 - 47 |
| AH128727 | 9E11 | 1 | 160 - 2 | AH128927 | 3E6 | 23 | 40 - 63 | AH129452 | 8D22 | 46 | 121 - 53 |
| AH128730 | 8C20 | 10 | 121 - 27 | AH128927 | 5G8 | 15 | 70 - 115 | AH130082 | 2G10 | 2 | 30 - 19 |
| AH128733 | 9B20 | 12 | 130 - 3 | AH128929 | 3D12 | 18 | 40 - 45 | AH130084 | 2G10 | 9 | 30 - 19 |
| AH128737 | 4F10 | 11 | 50 - 89 | AH128929 | 4G18 | 16 | 60 - 7 | AH130094 | 5H14 | 3 | 80 - 25 |
| AH128738 | 4F10 | 1 | 50 - 89 | AH128929 | 5G12 | 11 | 70 - 119 | AH130097 | 2G8 | 2 | 30 - 17 |
| AH128739 | 4F10 | 11 | 50 - 89 | AH128977 | 2G8 | 3 | 30 - 17 | AH130098 | 2G8 | 2 | 30 - 17 |
| AH128742 | 5D24 | 12 | 70 - 55 | AH128986 | 3E14 | 22 | 40 - 71 | AH130100 | 2G4 | 11 | 30 - 13 |
| AH128744 | 4H10 | 9 | 60 - 23 | AH128990 | 4G12 | 18 | 60 - 1 | AH130100 | 2G6 | 9 | 30 - 15 |
| AH128753 | 5D4 | 21 | 70 - 33 | AH128990 | 4G18 | 14 | 60 - 7 | AH130102 | 3F16 | 12 | 40 - 97 |
| AH128757 | 4F24 | 21 | 50 - 103 | AH128992 | 5F24 | 3 | 70 - 107 | AH130104 | 6H4 | 1 | 110 - 37 |
| AH128762 | 4F24 | 19 | 50 - 103 | AH128993 | 4F16 | 3 | 50 - 95 | AH130113 | 5D4 | 13 | 70 - 33 |
| AH128770 | 4F14 | 12 | 50 - 93 | AH128997 | 4E21 | 4 | 50 - 75 | AH130119 | 4H22 | 9 | 60 - 35 |
| AH128772 | 4F14 | 13 | 50 - 93 | AH129045 | 3D12 | 8 | 40 - 45 | AH130122 | 7D14 | 3 | 120 - 45 |
| AH128773 | 5F22 | 3 | 70 - 105 | AH129056 | 2F18 | 15 | 30 - 3 | AH130125 | 7D12 | 3 | 120 - 43 |
| AH128774 | 5F22 | 4 | 70 - 105 | AH129056 | 2F22 | 6 | 30 - 7 | AH130126 | 4H8 | 32 | 60 - 21 |
| AH128775 | 4F14 | 3 | 50 - 93 | AH129058 | 2F22 | 8 | 30 - 7 | AH130126 | 4H14 | 27 | 60 - 27 |
| AH128776 | 4F14 | 4 | 50 - 93 | AH129066 | 9D15 | 10 | 130 - 49 | AH130126 | 6E17 | 27 | 90 - 75 |
| AH128777 | 5F22 | 23 | 70 - 105 | AH129194 | 5H2 | 15 | 80 - 13 | AH130127 | 2F20 | 7 | 30 - 5 |
| AH128777 | 5F24 | 18 | 70 - 107 | AH129195 | 5H2 | 5 | 80 - 13 | AH130129 | 3B25 | 3 | 40 - 5 |
| AH128778 | 5F22 | 17 | 70 - 105 | AH129195 | 5H6 | 5 | 80 - 17 | AH130132 | 5I12 | 23 | 80 - 47 |
| AH128778 | 5F24 | 11 | 70 - 107 | AH129197 | 5H2 | 13 | 80 - 13 | AH130136 | 8I5 | 4 | 125 - 61 |
| AH128779 | 5F22 | 18 | 70 - 105 | AH129228 | 5H2 | 17 | 80 - 13 | AH130150 | 7E4 | 13 | 120 - 59 |
| AH128779 | 5F24 | 12 | 70 - 107 | AH129228 | 5H6 | 17 | 80 - 17 | AH130153 | 7E4 | 13 | 120 - 59 |
| AH128779 | 5G2 | 12 | 70 - 109 | AH129233 | 5C20 | 26 | 70 - 25 | AH130159 | 7E20 | 11 | 120 - 73 |
| AH128780 | 5F22 | 22 | 70 - 105 | AH129236 | 4H14 | 39 | 60 - 27 | AH130165 | 7E20 | 10 | 120 - 73 |
| AH128780 | 5F24 | 17 | 70 - 107 | AH129236 | 6E17 | 39 | 90 - 75 | AH130167 | 7E20 | 1 | 120 - 73 |
| AH128780 | 5G2 | 11 | 70 - 109 | AH129244 | 5D24 | 4 | 70 - 55 | AH130168 | 5D22 | 6 | 70 - 52 |
| AH128781 | 5F24 | 6 | 70 - 107 | AH129245 | 5F10 | 3 | 70 - 93 | AH130173 | 5H2 | 22 | 80 - 13 |
| AH128783 | 5F24 | 7 | 70 - 107 | AH129245 | 5F10 | 4 | 70 - 93 | AH130173 | 5H6 | 22 | 80 - 17 |
| AH128785 | 3E6 | 25 | 40 - 63 | AH129245 | 5F10 | 5 | 70 - 93 | AH130175 | 6F21 | 31A | 110 - 3 |
| AH128785 | 5G8 | .. | 70 - 115 | AH129245 | 5F10 | 6 | 70 - 93 | AH130175 | 6H20 | 18A | 110 - 53 |
| AH128786 | 4F16 | 7 | 50 - 95 | AH129245 | 5F10 | 7 | 70 - 93 | AH130176 | 6G7 | 3A | 110 - 15 |
| AH128788 | 4F16 | 8 | 50 - 95 | AH129245 | 5F10 | 8 | 70 - 93 | AH130178 | 5H4 | 19 | 80 - 15 |
| AH128840 | 4H4 | 30 | 60 - 17 | AH129245 | 5F10 | 11 | 70 - 93 | AH130178 | 5H8 | 19 | 80 - 19 |
| AH128841 | 4H4 | 30 | 60 - 17 | AH129245 | 5F10 | 12 | 70 - 93 | AH130180 | 5C2 | 21 | 70 - 7 |
| AH128842 | 4G24 | 22 | 60 - 13 | AH129245 | 5F10 | .. | 70 - 93 | AH130180 | 8H2 | 12 | 125 - 33 |
| AH128842 | 4H4 | 30 | 60 - 17 | AH129245 | 5F16 | 11 | 70 - 99 | AH130180 | 8H6 | 26 | 125 - 37 |
| AH128843 | 4G24 | 23 | 60 - 13 | AH129255 | 4H12 | 18 | 60 - 25 | AH130184 | 7E4 | 9 | 120 - 59 |
| AH128843 | 4H4 | 30 | 60 - 17 | AH129255 | 6E15 | 18 | 90 - 73 | AH130186 | 7E4 | 3 | 120 - 59 |
| AH128849 | 3G7 | 2 | 40 - 113 | AH129272 | 7D6 | 13 | 120 - 37 | AH130186 | 7E12 | 1 | 120 - 67 |
| AH128851 | 5D19 | 8 | 70 - 49 | AH129278 | 4D6 | 43 | 50 - 35 | AH130189 | 7E16 | 4 | 120 - 69 |
| AH128853 | 5E2 | 5 | 70 - 57 | AH129278 | 4D20 | 43 | 50 - 49 | AH130193 | 5H12 | 15 | 80 - 23 |
| AH128854 | 5F6 | 17 | 70 - 89 | AH129280 | 4D13 | 15 | 50 - 42 | AH130197 | 5H22 | 18 | 80 - 33 |
| AH128855 | 5F6 | 16 | 70 - 89 | AH129280 | 4D16 | 15 | 50 - 45 | AH130198 | 9C23 | 31 | 130 - 31 |
| AH128859 | 5C18 | 22 | 70 - 23 | AH129284 | 4D10 | 8 | 50 - 39 | AH130201 | 7B23 | 13 | 120 - 5 |
| AH128860 | 9E3 | 7 | 130 - 60 | AH129318 | 5D9 | 7 | 70 - 39 | AH130201 | 7B25 | 13 | 120 - 7 |
| AH128861 | 9E2 | 23 | 130 - 59 | AH129319 | 5D9 | 7 | 70 - 39 | AH130201 | 7C2 | 14 | 120 - 9 |
| AH128864 | 4I6 | 13 | 60 - 43 | AH129321 | 5D9 | .. | 70 - 39 | AH130201 | 7C4 | 14 | 120 - 11 |
| AH128865 | 3G7 | 13 | 40 - 113 | AH129321 | 5D10 | 5 | 70 - 40 | AH130209 | 5B24 | 17 | 70 - 5 |
| AH128884 | 1C6 | 6 | 20 - 13 | AH129322 | 5D9 | .. | 70 - 39 | AH130212 | 4H16 | 34 | 60 - 29 |
| AH128889 | 4G14 | 22 | 60 - 3 | AH129322 | 5D10 | 5 | 70 - 40 | AH130214 | 5C16 | 24 | 70 - 21 |
| AH128894 | 4G18 | 5 | 60 - 7 | AH129323 | 5C2 | 6 | 70 - 7 | AH130222 | 3D12 | 2 | 40 - 45 |
| AH128894 | 5G12 | 5 | 70 - 119 | AH129356 | 9B22 | 5 | 130 - 5 | AH130226 | 1C4 | 12 | 20 - 11 |
| AH128903 | 8E12 | 5 | 121 - 67 | AH129358 | 9B22 | 9 | 130 - 5 | AH130230 | 2G4 | 12 | 30 - 13 |

NUMERICAL INDEX - CONTINUED

| PART NO. | GRID | KEY | PAGE | PART NO. | GRID | KEY | PAGE | PART NO. | GRID | KEY | PAGE |
|----------|------|-----|----------|----------|------|-----|----------|----------|------|-----|----------|
| AH130230 | 2G6 | 10 | 30 - 15 | AH130568 | 5D21 | 8 | 70 - 51 | AH131062 | 4H4 | 28 | 60 - 17 |
| AH130230 | 4I6 | 14 | 60 - 43 | AH130570 | 8H18 | 28 | 125 - 49 | AH131070 | 8D4 | 5 | 121 - 35 |
| AH130231 | 7C16 | 11 | 120 - 23 | AH130570 | 8H23 | 9 | 125 - 54 | AH131071 | 3F8 | 7 | 40 - 89 |
| AH130232 | 7C16 | 11 | 120 - 23 | AH130571 | 8H23 | 3 | 125 - 54 | AH131074 | 8H23 | 10 | 125 - 54 |
| AH130357 | 7C16 | 12 | 120 - 23 | AH130572 | 8H18 | 24 | 125 - 49 | AH131080 | 8H24 | 1 | 125 - 55 |
| AH130370 | 9C2 | 17 | 130 - 9 | AH130581 | 5F6 | 5 | 70 - 89 | AH131086 | 8I5 | 30 | 125 - 61 |
| AH130393 | 5I10 | 7 | 80 - 45 | AH130582 | 8C18 | 4 | 121 - 25 | AH131089 | 5C4 | 2 | 70 - 9 |
| AH130412 | 4G24 | 19 | 60 - 13 | AH130587 | 6C24 | 14 | 90 - 31 | AH131092 | 7D20 | 13 | 120 - 51 |
| AH130413 | 4G24 | 20 | 60 - 13 | AH130592 | 8E24 | 10 | 121 - 79 | AH131105 | 6H4 | 9 | 110 - 37 |
| AH130416 | 4G24 | 5 | 60 - 13 | AH130592 | 8F2 | 14 | 121 - 81 | AH131108 | 6E6 | 18 | 90 - 63 |
| AH130417 | 4G24 | 6 | 60 - 13 | AH130594 | 6C8 | 13 | 90 - 15 | AH131165 | 8G10 | 27 | 125 - 17 |
| AH130421 | 3D2 | 7 | 40 - 35 | AH130602 | 3D20 | 7 | 40 - 53 | AH131166 | 8G10 | 19 | 125 - 17 |
| AH130423 | 1B22 | 22 | 20 - 5 | AH130602 | 3D22 | 12 | 40 - 55 | AH131167 | 4D7 | 28 | 50 - 36 |
| AH130424 | 7D14 | 12 | 120 - 45 | AH130603 | 3D20 | 1 | 40 - 53 | AH131168 | 4D10 | 2 | 50 - 39 |
| AH130425 | 7D14 | 24 | 120 - 45 | AH130603 | 3D22 | 7 | 40 - 55 | AH131168 | 4D10 | 14 | 50 - 39 |
| AH130429 | 4H14 | 47 | 60 - 27 | AH130605 | 4G24 | 16 | 60 - 13 | AH131168 | 4D10 | 16 | 50 - 39 |
| AH130429 | 6E17 | 47 | 90 - 75 | AH130610 | 6F13 | 14 | 90 - 97 | AH131168 | 4D10 | 17 | 50 - 39 |
| AH130435 | 4H14 | 36 | 60 - 27 | AH130611 | 4F20 | 7 | 50 - 99 | AH131168 | 4D10 | 28 | 50 - 39 |
| AH130435 | 6E17 | 36 | 90 - 75 | AH130611 | 4F22 | 7 | 50 - 101 | AH131169 | 4D4 | 9 | 50 - 33 |
| AH130445 | 4G9 | 4 | 50 - 113 | AH130612 | 4G24 | 17 | 60 - 13 | AH131169 | 4D12 | 1 | 50 - 41 |
| AH130445 | 4G18 | 6 | 60 - 7 | AH130613 | 4G24 | 18 | 60 - 13 | AH131170 | 4D7 | 15 | 50 - 36 |
| AH130447 | 4F20 | 12 | 50 - 99 | AH130625 | 4C3 | 4 | 50 - 8 | AH131170 | 4D14 | 15 | 50 - 43 |
| AH130447 | 4F22 | 12 | 50 - 101 | AH130626 | 4C5 | 3 | 50 - 10 | AH131171 | 4D4 | 17 | 50 - 33 |
| AH130448 | 5D19 | 11 | 70 - 49 | AH130627 | 4C5 | 3 | 50 - 10 | AH131171 | 4D12 | 4 | 50 - 41 |
| AH130449 | 4F25 | 3 | 50 - 104 | AH130629 | 5E2 | 7 | 70 - 57 | AH131172 | 4D6 | 29 | 50 - 35 |
| AH130462 | 5H4 | 7 | 80 - 15 | AH130866 | 4F24 | 20 | 50 - 103 | AH131173 | 4D13 | 19 | 50 - 42 |
| AH130462 | 5H8 | 7 | 80 - 19 | AH130869 | 6G22 | 20 | 110 - 31 | AH131173 | 4D16 | 19 | 50 - 45 |
| AH130465 | 7C18 | 13 | 120 - 25 | AH130871 | 4I8 | 12 | 60 - 45 | AH131174 | 4D13 | 15 | 50 - 42 |
| AH130466 | 4H16 | 33 | 60 - 29 | AH130871 | 4I8 | 19 | 60 - 45 | AH131174 | 4D16 | 15 | 50 - 45 |
| AH130469 | 4G24 | 2 | 60 - 13 | AH130884 | 8H25 | 3 | 125 - 56 | AH131175 | 4G7 | 7 | 50 - 111 |
| AH130476 | 7D22 | 21 | 120 - 53 | AH130886 | 8H22 | 21 | 125 - 53 | AH131175 | 5E25 | 26 | 70 - 83 |
| AH130481 | 5I12 | 8A | 80 - 47 | AH130890 | 4H22 | 8 | 60 - 35 | AH131176 | 5F2 | 2 | 70 - 85 |
| AH130482 | 8F25 | 44 | 125 - 7 | AH130892 | 8H22 | 17 | 125 - 53 | AH131176 | 5F2 | 4 | 70 - 85 |
| AH130483 | 8F23 | 18 | 125 - 5 | AH130893 | 8H22 | 17 | 125 - 53 | AH131176 | 5F2 | 6 | 70 - 85 |
| AH130485 | 7E12 | 11 | 120 - 67 | AH130894 | 6G7 | 1 | 110 - 15 | AH131176 | 5F2 | 7 | 70 - 85 |
| AH130487 | 4H20 | 8 | 60 - 33 | AH130895 | 5C20 | 18 | 70 - 25 | AH131176 | 5F2 | 8 | 70 - 85 |
| AH130489 | 4H20 | 7 | 60 - 33 | AH130896 | 5D2 | 5 | 70 - 31 | AH131176 | 5F2 | 9 | 70 - 85 |
| AH130497 | 3F14 | 2 | 40 - 95 | AH130905 | 7D4 | 7 | 120 - 35 | AH131176 | 5F2 | .. | 70 - 85 |
| AH130497 | 5H2 | 18 | 80 - 13 | AH130915 | 6C8 | 7 | 90 - 15 | AH131176 | 5F4 | 9 | 70 - 87 |
| AH130497 | 5H6 | 18 | 80 - 17 | AH130936 | 5C8 | 5 | 70 - 13 | AH131176 | 8H12 | 11 | 125 - 43 |
| AH130506 | 5H4 | 12 | 80 - 15 | AH130939 | 7B21 | 2 | 120 - 3 | AH131178 | 5F2 | 5 | 70 - 85 |
| AH130506 | 5H8 | 12 | 80 - 19 | AH130941 | 5H22 | 3 | 80 - 33 | AH131178 | 5F2 | 14 | 70 - 85 |
| AH130507 | 1C7 | 4 | 20 - 14 | AH130944 | 5H22 | 7 | 80 - 33 | AH131178 | 5F2 | 15 | 70 - 85 |
| AH130507 | 1C8 | 4 | 20 - 15 | AH130945 | 5H22 | 6 | 80 - 33 | AH131178 | 5F2 | 16 | 70 - 85 |
| AH130507 | 1C9 | 4 | 20 - 16 | AH130946 | 5I12 | 5 | 80 - 47 | AH131178 | 5F2 | 17 | 70 - 85 |
| AH130508 | 1C7 | 7 | 20 - 14 | AH130949 | 4E14 | 15 | 50 - 68 | AH131181 | 5E25 | .. | 70 - 83 |
| AH130509 | 5G23 | 16 | 80 - 9 | AH130949 | 4G12 | 15 | 60 - 1 | AH131183 | 4G7 | 7 | 50 - 111 |
| AH130510 | 5G23 | 16 | 80 - 9 | AH130949 | 5G13 | 15 | 70 - 120 | AH131183 | 5E25 | 26 | 70 - 83 |
| AH130512 | 2G4 | 15 | 30 - 13 | AH130950 | 4E12 | 15 | 50 - 66 | AH131213 | 7E4 | 14 | 120 - 59 |
| AH130514 | 5G25 | 6 | 80 - 11 | AH130952 | 5H2 | 10 | 80 - 13 | AH131213 | 7E12 | 12 | 120 - 67 |
| AH130515 | 5G25 | 6 | 80 - 11 | AH130955 | 5G25 | 1 | 80 - 11 | AH131213 | 7E16 | 14 | 120 - 69 |
| AH130517 | 4I5 | 1 | 60 - 42 | AH130957 | 3C16 | 7 | 40 - 23 | AH131213 | 7E20 | 12 | 120 - 73 |
| AH130529 | 2F18 | 27 | 30 - 3 | AH130957 | 6E23 | 1 | 90 - 81 | AH131213 | 8H22 | 26 | 125 - 53 |
| AH130543 | 3C10 | 26 | 40 - 15 | AH130957 | 6F13 | 18 | 90 - 97 | AH131214 | 7E4 | 13 | 120 - 59 |
| AH130548 | 5G23 | 3 | 80 - 9 | AH130964 | 8G10 | 41 | 125 - 17 | AH131216 | 7E20 | 11 | 120 - 73 |
| AH130555 | 5C22 | 19 | 70 - 27 | AH130982 | 8I7 | 15 | 125 - 63 | AH131218 | 7E20 | 11 | 120 - 73 |
| AH130555 | 5C24 | 14 | 70 - 29 | AH130982 | 8I9 | 17 | 125 - 65 | AH131238 | 9C17 | 3 | 130 - 25 |
| AH130556 | 5C22 | 1 | 70 - 27 | AH130988 | 7D20 | 28 | 120 - 51 | AH131239 | 9D6 | 7 | 130 - 39 |
| AH130556 | 5C24 | 2 | 70 - 29 | AH130995 | 7E16 | 10 | 120 - 69 | AH131241 | 9D8 | 1 | 130 - 41 |
| AH130557 | 5C20 | 28 | 70 - 25 | AH131045 | 4H5 | 6 | 60 - 18 | AH131248 | 8E2 | 28 | 121 - 57 |
| AH130557 | 5C22 | 10 | 70 - 27 | AH131048 | 4H5 | 9 | 60 - 18 | AH131249 | 8E2 | 31 | 121 - 57 |
| AH130558 | 5C16 | 8 | 70 - 21 | AH131049 | 4H5 | 9 | 60 - 18 | AH131250 | 5D13 | 3 | 70 - 43 |
| AH130559 | 5C16 | 4 | 70 - 21 | AH131051 | 4H4 | 12 | 60 - 17 | AH131250 | 5D15 | 5 | 70 - 45 |
| AH130565 | 6G3 | 6 | 110 - 10 | AH131054 | 4H4 | 19 | 60 - 17 | AH131250 | 5D17 | 5 | 70 - 47 |
| AH130565 | 6G5 | 22 | 110 - 13 | AH131055 | 4H4 | 19 | 60 - 17 | AH131299 | 4G16 | 15 | 60 - 5 |
| AH130567 | 4F14 | 25 | 50 - 93 | AH131058 | 4H4 | 7 | 60 - 17 | AH131300 | 4F20 | 26 | 50 - 99 |
| AH130567 | 5D21 | 10 | 70 - 51 | AH131059 | 4H4 | 7 | 60 - 17 | AH131301 | 5G25 | 14 | 80 - 11 |

NUMERICAL INDEX - CONTINUED

| PART NO. | GRID | KEY | PAGE | PART NO. | GRID | KEY | PAGE | PART NO. | GRID | KEY | PAGE |
|----------|------|-----|----------|----------|------|-----|----------|----------|------|-----|----------|
| AH131302 | 4H18 | 25 | 60 - 31 | AH131405 | 5E18 | 8 | 70 - 75 | AH131975 | 6C25 | 2 | 90 - 32 |
| AH131303 | 5C16 | 2 | 70 - 21 | AH131405 | 5E20 | 8 | 70 - 77 | AH131979 | 8E2 | 4 | 121 - 57 |
| AH131303 | 5C24 | 23 | 70 - 29 | AH131405 | 5E23 | 8 | 70 - 81 | AH132027 | 5B22 | 5 | 70 - 3 |
| AH131303 | 6H2 | 16 | 110 - 35 | AH131419 | 5E9 | 22 | 70 - 65 | AH132031 | 8H4 | 4 | 125 - 35 |
| AH131304 | 5F2 | 13 | 70 - 85 | AH131419 | 5E18 | 11 | 70 - 75 | AH132032 | 9D19 | 11 | 130 - 51 |
| AH131305 | 4D4 | .. | 50 - 33 | AH131419 | 5E20 | 11 | 70 - 77 | AH132033 | 9D19 | 11 | 130 - 51 |
| AH131305 | 4G7 | 3 | 50 - 111 | AH131420 | 5E9 | 24 | 70 - 65 | AH132116 | 4C3 | 4 | 50 - 8 |
| AH131305 | 4G7 | 6 | 50 - 111 | AH131421 | 5E9 | 26 | 70 - 65 | AH132117 | 6C6 | 12 | 90 - 13 |
| AH131308 | 4D13 | 6 | 50 - 42 | AH131424 | 6C10 | 1 | 90 - 17 | AH132117 | 6C6 | 16 | 90 - 13 |
| AH131308 | 4D16 | 6 | 50 - 45 | AH131460 | 5E11 | 18 | 70 - 67 | AH132128 | 4C3 | 4 | 50 - 8 |
| AH131310 | 4D12 | .. | 50 - 41 | AH131460 | 5E14 | 18 | 70 - 71 | AH132147 | 6C14 | 15 | 90 - 21 |
| AH131310 | 4G5 | 1 | 50 - 109 | AH131461 | 5E11 | 24 | 70 - 67 | AH132148 | 6C8 | 20 | 90 - 15 |
| AH131311 | 5D2 | 6 | 70 - 31 | AH131461 | 5E14 | 24 | 70 - 71 | AH132159 | 7D24 | 10 | 120 - 55 |
| AH131313 | 5C24 | 13 | 70 - 29 | AH131461 | 5E18 | 10 | 70 - 75 | AH132160 | 7D24 | 12 | 120 - 55 |
| AH131316 | 4H18 | 24 | 60 - 31 | AH131461 | 5E20 | 10 | 70 - 77 | AH132161 | 5E3 | .. | 70 - 58 |
| AH131317 | 5B24 | 18 | 70 - 5 | AH131508 | 8D24 | 15 | 121 - 55 | AH132161 | 5E5 | 5 | 70 - 60 |
| AH131319 | 7D20 | 19A | 120 - 51 | AH131535 | 5D13 | 26 | 70 - 43 | AH132162 | 5E3 | 24 | 70 - 58 |
| AH131320 | 3D23 | 5 | 40 - 56 | AH131535 | 5D15 | 30 | 70 - 45 | AH132188 | 5C22 | 4 | 70 - 27 |
| AH131323 | 5C16 | 23 | 70 - 21 | AH131535 | 5D17 | 22 | 70 - 47 | AH132188 | 5C24 | 14 | 70 - 29 |
| AH131326 | 5E3 | 19 | 70 - 58 | AH131541 | 2F22 | 19 | 30 - 7 | AH132200 | 8H6 | 9 | 125 - 37 |
| AH131326 | 5E9 | 21 | 70 - 65 | AH131547 | 4H16 | 19 | 60 - 29 | AH132201 | 8H6 | 16 | 125 - 37 |
| AH131326 | 5E11 | 25 | 70 - 67 | AH131548 | 4H16 | 18 | 60 - 29 | AH132202 | 5D15 | 25 | 70 - 45 |
| AH131326 | 5E12 | 23 | 70 - 68 | AH131550 | 9C6 | 12 | 130 - 13 | AH132203 | 5D13 | 22 | 70 - 43 |
| AH131326 | 5E14 | 26 | 70 - 71 | AH131559 | 9D10 | 1 | 130 - 43 | AH132203 | 5D15 | 26 | 70 - 45 |
| AH131326 | 5E16 | 24 | 70 - 73 | AH131570 | 5D11 | 15 | 70 - 41 | AH132204 | 6G13 | 7 | 110 - 21 |
| AH131326 | 5E18 | 9 | 70 - 75 | AH131570 | 9E12 | 15 | 160 - 3 | AH132208 | 3F16 | 4 | 40 - 97 |
| AH131326 | 5E20 | 9 | 70 - 77 | AH131571 | 5D11 | 10 | 70 - 41 | AH132210 | 5F10 | 16 | 70 - 93 |
| AH131326 | 5E23 | 9 | 70 - 81 | AH131571 | 9E12 | 10 | 160 - 3 | AH132230 | 9D19 | 24 | 130 - 51 |
| AH131327 | 5E3 | 25 | 70 - 58 | AH131572 | 5D11 | 9 | 70 - 41 | AH132232 | 3G13 | 14 | 40 - 119 |
| AH131327 | 5E18 | 13 | 70 - 75 | AH131572 | 9E12 | 9 | 160 - 3 | AH132239 | 4G1 | 5 | 50 - 105 |
| AH131327 | 5E20 | 13 | 70 - 77 | AH131575 | 4G16 | 10 | 60 - 5 | AH132240 | 4G1 | 5 | 50 - 105 |
| AH131327 | 5E23 | 13 | 70 - 81 | AH131576 | 5D4 | 18 | 70 - 33 | AH132264 | 3C16 | 7 | 40 - 23 |
| AH131328 | 5E3 | .. | 70 - 58 | AH131577 | 4G16 | 7 | 60 - 5 | AH132264 | 3C18 | 6 | 40 - 25 |
| AH131328 | 5E4 | 9 | 70 - 59 | AH131690 | 4C11 | 1 | 50 - 16 | AH132264 | 6E23 | 1 | 90 - 81 |
| AH131329 | 9C4 | 11 | 130 - 11 | AH131699 | 4C20 | .. | 50 - 25 | AH132264 | 6F13 | 18 | 90 - 97 |
| AH131329 | 9C15 | 1 | 130 - 23 | AH131742 | 8H20 | 7 | 125 - 51 | AH132356 | 7D18 | 16 | 120 - 49 |
| AH131330 | 7C24 | 3 | 120 - 31 | AH131747 | 6C14 | 28 | 90 - 21 | AH132356 | 7D24 | 9 | 120 - 55 |
| AH131333 | 5C7 | 8 | 70 - 12 | AH131748 | 5D4 | 7 | 70 - 33 | AH132356 | 7E2 | 8 | 120 - 57 |
| AH131334 | 5D22 | 3 | 70 - 52 | AH131762 | 6G7 | 2 | 110 - 15 | AH132358 | 8G20 | 4 | 125 - 27 |
| AH131335 | 9C6 | 6 | 130 - 13 | AH131808 | 8H22 | 25 | 125 - 53 | AH132360 | 5G17 | 4 | 80 - 3 |
| AH131343 | 9C6 | 10 | 130 - 13 | AH131828 | 6H14 | 1 | 110 - 47 | AH132360 | 8G20 | 2 | 125 - 27 |
| AH131345 | 9C17 | 2 | 130 - 25 | AH131831 | 9C2 | 15 | 130 - 9 | AH132360 | 8G22 | 11 | 125 - 29 |
| AH131347 | 7F10 | 7A | 120 - 87 | AH131842 | 5F2 | 3 | 70 - 85 | AH132363 | 4G1 | 3 | 50 - 105 |
| AH131349 | 7F10 | 7A | 120 - 87 | AH131842 | 5F4 | 2 | 70 - 87 | AH132364 | 4G1 | 3 | 50 - 105 |
| AH131351 | 9C6 | 6 | 130 - 13 | AH131842 | 8H12 | 3 | 125 - 43 | AH132365 | 4G2 | 3 | 50 - 106 |
| AH131381 | 4H16 | 30 | 60 - 29 | AH131843 | 6C20 | 1 | 90 - 27 | AH132366 | 4G2 | 3 | 50 - 106 |
| AH131382 | 4H16 | 29 | 60 - 29 | AH131845 | 6C12 | 2 | 90 - 19 | AH132368 | 7C18 | 15 | 120 - 25 |
| AH131385 | 4D18 | .. | 50 - 47 | AH131848 | 6C12 | 8 | 90 - 19 | AH132372 | 9C13 | 24 | 130 - 21 |
| AH131385 | 4D20 | .. | 50 - 49 | AH131848 | 6C14 | 24 | 90 - 21 | AH132372 | 9C15 | 21 | 130 - 23 |
| AH131385 | 4G7 | 3 | 50 - 111 | AH131849 | 6C12 | 8 | 90 - 19 | AH132759 | 8G24 | 4 | 125 - 31 |
| AH131385 | 4G7 | 6 | 50 - 111 | AH131850 | 6C12 | 8 | 90 - 19 | AH132783 | 6C25 | 2 | 90 - 32 |
| AH131386 | 4D14 | 28 | 50 - 43 | AH131851 | 6C12 | 2 | 90 - 19 | AH132784 | 7E12 | 11 | 120 - 67 |
| AH131387 | 4D18 | 17 | 50 - 47 | AH131860 | 9C13 | 18 | 130 - 21 | AH132786 | 7E12 | 10 | 120 - 67 |
| AH131387 | 4D22 | 4 | 50 - 51 | AH131861 | 4C20 | 33 | 50 - 25 | AH132790 | 9C6 | 19 | 130 - 13 |
| AH131388 | 4D18 | 9 | 50 - 47 | AH131862 | 4C22 | 17 | 50 - 27 | AH132803 | 2G4 | 18 | 30 - 13 |
| AH131388 | 4D22 | 1 | 50 - 51 | AH131863 | 4C22 | 17 | 50 - 27 | AH132803 | 2G6 | 14 | 30 - 15 |
| AH131390 | 4D22 | .. | 50 - 51 | AH131865 | 8F23 | 41 | 125 - 5 | AH132807 | 9B24 | 10 | 130 - 7 |
| AH131390 | 4G5 | 1 | 50 - 109 | AH131866 | 8F23 | 25 | 125 - 5 | AH132810 | 9C6 | 17 | 130 - 13 |
| AH131391 | 4D6 | 3 | 50 - 35 | AH131874 | 4H20 | 9 | 60 - 33 | AH132814 | 2F18 | 1 | 30 - 3 |
| AH131391 | 4D12 | 16 | 50 - 41 | AH131875 | 4H20 | 10 | 60 - 33 | AH132819 | 6C6 | 13 | 90 - 13 |
| AH131391 | 4D20 | 3 | 50 - 49 | AH131876 | 5C18 | 8 | 70 - 23 | AH132823 | 7F10 | 10 | 120 - 87 |
| AH131392 | 4D22 | 16 | 50 - 51 | AH131881 | 6C20 | 12 | 90 - 27 | AH132828 | 7D22 | 19A | 120 - 53 |
| AH131403 | 6D9 | 2 | 90 - 41 | AH131907 | 9C6 | 19 | 130 - 13 | AH132829 | 6G22 | 20 | 110 - 31 |
| AH131404 | 5E7 | 38 | 70 - 63 | AH131960 | 7D10 | 12 | 120 - 41 | AH132832 | 5B22 | 4 | 70 - 3 |
| AH131404 | 5E18 | 12 | 70 - 75 | AH131960 | 8D24 | 3 | 121 - 55 | AH132839 | 4F14 | 24 | 50 - 93 |
| AH131404 | 5E20 | 12 | 70 - 77 | AH131960 | 9E20 | 3 | 170 - 5 | AH132840 | 4H4 | 24 | 60 - 17 |
| AH131405 | 5E14 | 25 | 70 - 71 | AH131965 | 5G23 | 14 | 80 - 9 | AH132852 | 8G16 | 3 | 125 - 23 |

NUMERICAL INDEX - CONTINUED

| PART NO. | GRID | KEY | PAGE | PART NO. | GRID | KEY | PAGE | PART NO. | GRID | KEY | PAGE |
|----------|------|-----|----------|----------|------|-----|----------|----------|------|-----|----------|
| AH132855 | 8H22 | 27 | 125 - 53 | AH133752 | 4H10 | 8 | 60 - 23 | AH134295 | 3D16 | 11 | 40 - 49 |
| AH132859 | 7D24 | 7 | 120 - 55 | AH133758 | 8H6 | 2 | 125 - 37 | AH134295 | 9E14 | 3 | 160 - 5 |
| AH132860 | 7D24 | 1 | 120 - 55 | AH133759 | 8H4 | 2 | 125 - 35 | AH134296 | 3C12 | 3 | 40 - 19 |
| AH132865 | 3G13 | 4 | 40 - 119 | AH133770 | 8H4 | 11 | 125 - 35 | AH134296 | 3C14 | 3 | 40 - 21 |
| AH132866 | 3G13 | 8 | 40 - 119 | AH133787 | 3E4 | 5 | 40 - 61 | AH134296 | 3D8 | 16 | 40 - 41 |
| AH132866 | 3G13 | 9 | 40 - 119 | AH133830 | 5G21 | 22A | 80 - 7 | AH134304 | 4H4 | 31 | 60 - 17 |
| AH132869 | 3G13 | 3 | 40 - 119 | AH133844 | 4C3 | 4 | 50 - 8 | AH134305 | 4H4 | 31 | 60 - 17 |
| AH132886 | 7C24 | 1 | 120 - 31 | AH133896 | 3E6 | 14 | 40 - 63 | AH134319 | 8E16 | 21 | 121 - 71 |
| AH132891 | 6C6 | 8 | 90 - 13 | AH133941 | 4F22 | 32 | 50 - 101 | AH134319 | 8E18 | 19 | 121 - 73 |
| AH132903 | 4G2 | 5 | 50 - 106 | AH133942 | 4F22 | 33 | 50 - 101 | AH134431 | 7D2 | 6A | 120 - 33 |
| AH132988 | 8H2 | 1 | 125 - 33 | AH133948 | 8H6 | 22 | 125 - 37 | AH134438 | 8G8 | 6 | 125 - 15 |
| AH132988 | 8H2 | 2 | 125 - 33 | AH133948 | 8H8 | 1 | 125 - 39 | AH134439 | 8G8 | 1 | 125 - 15 |
| AH133088 | 6C2 | .. | 90 - 9 | AH133948 | 8H10 | 1 | 125 - 41 | AH134444 | 8G12 | 8 | 125 - 19 |
| AH133088 | 6F15 | 17 | 90 - 99 | AH133949 | 8H6 | 18 | 125 - 37 | AH134447 | 3F16 | 4 | 40 - 97 |
| AH133109 | 3E12 | 2 | 40 - 69 | AH133949 | 8H8 | 2 | 125 - 39 | AH134522 | 6D1 | 2 | 90 - 33 |
| AH133125 | 4H2 | 26 | 60 - 15 | AH133949 | 8H10 | 2 | 125 - 41 | AH134524 | 3D20 | 3 | 40 - 53 |
| AH133126 | 4H2 | 9 | 60 - 15 | AH133950 | 8H8 | 9 | 125 - 39 | AH134529 | 3E18 | 27 | 40 - 75 |
| AH133127 | 4H2 | 2 | 60 - 15 | AH134121 | 6G7 | 27 | 110 - 15 | AH134530 | 3E18 | 26 | 40 - 75 |
| AH133128 | 4H2 | 3 | 60 - 15 | AH134121 | 6G9 | 27 | 110 - 17 | AH134542 | 3G23 | 1 | 40 - 129 |
| AH133128 | 4H2 | 12 | 60 - 15 | AH134121 | 6G11 | 27 | 110 - 19 | AH134549 | 9E2 | 4 | 130 - 59 |
| AH133128 | 4H2 | 28 | 60 - 15 | AH134142 | 7C10 | 17 | 120 - 17 | AH134554 | 8H12 | 13 | 125 - 43 |
| AH133128 | 4H2 | 29 | 60 - 15 | AH134143 | 7C10 | 17 | 120 - 17 | AH134555 | 8H6 | 12 | 125 - 37 |
| AH133128 | 4H2 | 33 | 60 - 15 | AH134203 | 3G23 | 5 | 40 - 129 | AH134555 | 8H12 | 5 | 125 - 43 |
| AH133128 | 4H2 | .. | 60 - 15 | AH134205 | 5B22 | 9 | 70 - 3 | AH134555 | 8H12 | 14 | 125 - 43 |
| AH133151 | 5D15 | 2 | 70 - 45 | AH134207 | 8C18 | 6 | 121 - 25 | AH134555 | 8H12 | 15 | 125 - 43 |
| AH133151 | 5D17 | 2 | 70 - 47 | AH134224 | 3D8 | 17 | 40 - 41 | AH134555 | 8H12 | 16 | 125 - 43 |
| AH133156 | 7C18 | 1A | 120 - 25 | AH134224 | 3D10 | 4 | 40 - 43 | AH134555 | 8H12 | 17 | 125 - 43 |
| AH133156 | 7C18 | 1B | 120 - 25 | AH134224 | 3D12 | 1 | 40 - 45 | AH134558 | 8G16 | 6 | 125 - 23 |
| AH133157 | 7C18 | 23A | 120 - 25 | AH134224 | 3D16 | 11 | 40 - 49 | AH134561 | 9B22 | 5 | 130 - 5 |
| AH133157 | 7C18 | 23B | 120 - 25 | AH134224 | 9E14 | 3 | 160 - 5 | AH134563 | 9B22 | 5 | 130 - 5 |
| AH133157 | 7D2 | 20A | 120 - 33 | AH134225 | 3C12 | 3 | 40 - 19 | AH134578 | 2G4 | 2 | 30 - 13 |
| AH133157 | 7D2 | 20B | 120 - 33 | AH134225 | 3D8 | 16 | 40 - 41 | AH134578 | 2G4 | 5 | 30 - 13 |
| AH133160 | 4H16 | 34 | 60 - 29 | AH134229 | 3D8 | 17 | 40 - 41 | AH134579 | 8G16 | 10 | 125 - 23 |
| AH133161 | 4H16 | 33 | 60 - 29 | AH134229 | 3D10 | 4 | 40 - 43 | AH134580 | 8G16 | 9 | 125 - 23 |
| AH133163 | 6G13 | 11 | 110 - 21 | AH134229 | 3D12 | 1 | 40 - 45 | AH134598 | 9C13 | 16 | 130 - 21 |
| AH133163 | 6G13 | 19 | 110 - 21 | AH134229 | 3D16 | 11 | 40 - 49 | AH134599 | 6F23 | 31 | 110 - 5 |
| AH133191 | 7F10 | 1 | 120 - 87 | AH134229 | 9E14 | 3 | 160 - 5 | AH134602 | 9C25 | 1 | 130 - 33 |
| AH133191 | 8D20 | 8 | 121 - 51 | AH134231 | 3D16 | 1 | 40 - 49 | AH134642 | 1B24 | 7 | 20 - 7 |
| AH133191 | 8E2 | 18 | 121 - 57 | AH134231 | 3D18 | 1 | 40 - 51 | AH134643 | 1B24 | 11 | 20 - 7 |
| AH133191 | 8E20 | 29 | 121 - 75 | AH134233 | 3D8 | 17 | 40 - 41 | AH134646 | 1B22 | 22 | 20 - 5 |
| AH133191 | 8E22 | 28 | 121 - 77 | AH134234 | 3D8 | 16 | 40 - 41 | AH134646 | 1B24 | 14 | 20 - 7 |
| AH133191 | 9D21 | 18 | 130 - 53 | AH134236 | 3E12 | 20 | 40 - 69 | AH134656 | 5H14 | 9 | 80 - 25 |
| AH133191 | 9D23 | 3 | 130 - 55 | AH134239 | 3E12 | 20 | 40 - 69 | AH134657 | 7C12 | 26 | 120 - 19 |
| AH133191 | 9E2 | 28 | 130 - 59 | AH134246 | 3E8 | 32 | 40 - 65 | AH134661 | 7C22 | 17 | 120 - 29 |
| AH133196 | 8H8 | 17 | 125 - 39 | AH134249 | 3D18 | 1 | 40 - 51 | AH134670 | 9C2 | 18A | 130 - 9 |
| AH133223 | 1C16 | 4 | 20 - 23 | AH134250 | 3F4 | 1 | 40 - 85 | AH134679 | 8H8 | 22 | 125 - 39 |
| AH133226 | 5G25 | 6 | 80 - 11 | AH134250 | 3F5 | 1 | 40 - 86 | AH134680 | 8H8 | 21 | 125 - 39 |
| AH133228 | 5G23 | 16 | 80 - 9 | AH134256 | 3E2 | 15 | 40 - 59 | AH134681 | 3F16 | 11 | 40 - 97 |
| AH133265 | 5D13 | 14 | 70 - 43 | AH134260 | 3E4 | 24 | 40 - 61 | AH134686 | 3F16 | 4 | 40 - 97 |
| AH133265 | 5D15 | 16 | 70 - 45 | AH134260 | 3E8 | 32 | 40 - 65 | AH134704 | 9C2 | 9 | 130 - 9 |
| AH133285 | 5D13 | 27 | 70 - 43 | AH134261 | 3E4 | 24 | 40 - 61 | AH134707 | 9C2 | 9 | 130 - 9 |
| AH133285 | 5D15 | 31 | 70 - 45 | AH134261 | 3E8 | 32 | 40 - 65 | AH134724 | 6D9 | 1 | 90 - 41 |
| AH133286 | 7C18 | 19 | 120 - 25 | AH134262 | 3E20 | 6 | 40 - 77 | AH134728 | 3D18 | 21 | 40 - 51 |
| AH133288 | 7C18 | 19 | 120 - 25 | AH134268 | 3E4 | 24 | 40 - 61 | AH134728 | 3F2 | 3 | 40 - 83 |
| AH133316 | 3G25 | 12 | 40 - 131 | AH134268 | 3E8 | 32 | 40 - 65 | AH134729 | 8E10 | 4 | 121 - 65 |
| AH133359 | 4H16 | 36 | 60 - 29 | AH134269 | 3E4 | 24 | 40 - 61 | AH134730 | 8E10 | 5 | 121 - 65 |
| AH133374 | 9B20 | 12 | 130 - 3 | AH134269 | 3E8 | 32 | 40 - 65 | AH134733 | 5E18 | 7A | 70 - 75 |
| AH133493 | 6H4 | 31 | 110 - 37 | AH134278 | 3D8 | 17 | 40 - 41 | AH134733 | 5E18 | 25 | 70 - 75 |
| AH133499 | 6C12 | 8 | 90 - 19 | AH134278 | 3D10 | 4 | 40 - 43 | AH134733 | 5E20 | 7A | 70 - 77 |
| AH133499 | 6C14 | 33 | 90 - 21 | AH134278 | 3D12 | 1 | 40 - 45 | AH134733 | 5E20 | 25 | 70 - 77 |
| AH133499 | 6C16 | 21 | 90 - 23 | AH134278 | 3D16 | 11 | 40 - 49 | AH134733 | 5E23 | 7 | 70 - 81 |
| AH133500 | 6C12 | 8 | 90 - 19 | AH134278 | 3D16 | 11 | 40 - 49 | AH134733 | 5E23 | 25 | 70 - 81 |
| AH133501 | 6C12 | 8 | 90 - 19 | AH134278 | 9E14 | 3 | 160 - 5 | AH134767 | 9C21 | 4 | 130 - 29 |
| AH133660 | 4D4 | 7 | 50 - 33 | AH134279 | 3D8 | 17 | 40 - 41 | AH134773 | 7C18 | 16 | 120 - 25 |
| AH133661 | 4D12 | 18 | 50 - 41 | AH134288 | 3H4 | 5 | 40 - 135 | AH134800 | 3G15 | 14 | 40 - 121 |
| AH133662 | 4D22 | 18 | 50 - 51 | AH134295 | 3D8 | 17 | 40 - 41 | AH134802 | 3G17 | 2 | 40 - 123 |
| AH133663 | 4D18 | 7 | 50 - 47 | AH134295 | 3D10 | 4 | 40 - 43 | AH134811 | 6F17 | 9 | 90 - 101 |
| | | | | AH134295 | 3D12 | 1 | 40 - 45 | | | | |

NUMERICAL INDEX - CONTINUED

| PART NO. | GRID | KEY | PAGE | PART NO. | GRID | KEY | PAGE | PART NO. | GRID | KEY | PAGE |
|----------|------|-----|--------|----------|------|-----|--------|----------|------|-----|--------|
| AH134813 | 4I6 | 13 | 60-43 | AH135254 | 9F20 | .. | 170-29 | AH135669 | 9B24 | 5 | 130-7 |
| AH134814 | 4I5 | 1 | 60-42 | AH135254 | 9F24 | .. | 170-33 | AH135683 | 5C24 | 13 | 70-29 |
| AH134825 | 6G7 | 2 | 110-15 | AH135254 | 9G4 | .. | 170-37 | AH135685 | 5C16 | 23 | 70-21 |
| AH134826 | 6G7 | 3A | 110-15 | AH135254 | 9G7 | .. | 170-41 | AH135687 | 5C16 | 24 | 70-21 |
| AH134826 | 6G9 | 3 | 110-17 | AH135254 | 9G9 | .. | 170-43 | AH135688 | 5C20 | 18 | 70-25 |
| AH134826 | 6G11 | 3A | 110-19 | AH135254 | 9G11 | .. | 170-45 | AH135689 | 5D2 | 5 | 70-31 |
| AH134833 | 5E3 | .. | 70-58 | AH135262 | 7C16 | 12 | 120-23 | AH135695 | 4G20 | 2 | 60-9 |
| AH134833 | 5E4 | 9 | 70-59 | AH135290 | 5H22 | 21 | 80-33 | AH135744 | 3E6 | 23 | 40-63 |
| AH134842 | 2F22 | 15A | 30-7 | AH135290 | 5I14 | 7 | 80-49 | AH135744 | 5G8 | 15 | 70-115 |
| AH134859 | 8D2 | .. | 121-33 | AH135290 | 5I16 | 12 | 80-51 | AH135786 | 5G23 | 16 | 80-9 |
| AH134860 | 4G7 | 1 | 50-111 | AH135290 | 6G7 | 23 | 110-15 | AH135787 | 3D8 | 9 | 40-41 |
| AH134860 | 8B21 | .. | 121-3 | AH135290 | 6G9 | 23 | 110-17 | AH135787 | 3D8 | 12 | 40-41 |
| AH134860 | 8B23 | .. | 121-5 | AH135290 | 6G11 | 23 | 110-19 | AH135787 | 3D8 | 21 | 40-41 |
| AH134860 | 8C2 | .. | 121-9 | AH135290 | 7E2 | 10 | 120-57 | AH135787 | 3D12 | 17 | 40-45 |
| AH134860 | 8C6 | .. | 121-13 | AH135291 | 9C25 | 1 | 130-33 | AH135789 | 1B22 | 18 | 20-5 |
| AH134861 | 4G7 | 1 | 50-111 | AH135296 | 8C20 | 10 | 121-27 | AH135790 | 1B22 | 22 | 20-5 |
| AH134861 | 8B21 | .. | 121-3 | AH135298 | 5H12 | 17 | 80-23 | AH135808 | 4B24 | 2 | 50-5 |
| AH134861 | 8B23 | .. | 121-5 | AH135299 | 5H10 | 3 | 80-21 | AH135821 | 3G1 | 3 | 40-107 |
| AH134861 | 8C2 | .. | 121-9 | AH135300 | 5H16 | 7 | 80-27 | AH135822 | 3G19 | 12 | 40-125 |
| AH134861 | 8C6 | .. | 121-13 | AH135315 | 6C10 | 1 | 90-17 | AH135823 | 3G19 | 11 | 40-125 |
| AH134863 | 6F23 | .. | 110-5 | AH135323 | 4C14 | 4 | 50-19 | AH135836 | 8F16 | 1 | 121-95 |
| AH134866 | 8C10 | .. | 121-17 | AH135323 | 6D5 | 4 | 90-37 | AH135836 | 8F23 | 33 | 125-5 |
| AH134866 | 8C14 | .. | 121-21 | AH135342 | 8E16 | 3 | 121-71 | AH135844 | 4B22 | 16 | 50-3 |
| AH134869 | 8D16 | 30 | 121-47 | AH135342 | 8E16 | 16B | 121-71 | AH135844 | 4B24 | 1 | 50-5 |
| AH134869 | 8D18 | 16 | 121-49 | AH135342 | 8E18 | 3 | 121-73 | AH135845 | 4B24 | 10 | 50-5 |
| AH134873 | 8E2 | 7 | 121-57 | AH135342 | 8E18 | 14 | 121-73 | AH135861 | 6C6 | .. | 90-13 |
| AH134873 | 8E2 | 38 | 121-57 | AH135353 | 3G21 | 1 | 40-127 | AH135889 | 2G10 | 2 | 30-19 |
| AH134884 | 6E19 | 16 | 90-77 | AH135353 | 6F17 | 12 | 90-101 | AH135889 | 2G10 | 9 | 30-19 |
| AH134900 | 9E14 | 3 | 160-5 | AH135354 | 6F17 | 6 | 90-101 | AH135893 | 2F18 | 26 | 30-3 |
| AH134902 | 4C11 | 1 | 50-16 | AH135370 | 3G19 | 1 | 40-125 | AH135893 | 2F18 | 27 | 30-3 |
| AH134903 | 4C11 | 1 | 50-16 | AH135375 | 5I12 | 23 | 80-47 | AH135951 | 3C10 | 7 | 40-15 |
| AH134916 | 7C16 | 12 | 120-23 | AH135380 | 7F2 | 6 | 120-79 | AH135962 | 6G7 | 1 | 110-15 |
| AH134949 | 4E25 | 11 | 50-79 | AH135392 | 8F23 | 5 | 125-5 | AH135996 | 8F2 | 3 | 121-81 |
| AH134950 | 4F10 | 11 | 50-89 | AH135392 | 8G6 | 1 | 125-13 | AH136006 | 3C2 | 7 | 40-7 |
| AH134951 | 4F10 | 1 | 50-89 | AH135461 | 8F23 | 41 | 125-5 | AH136006 | 6D3 | 7 | 90-35 |
| AH134971 | 4E25 | 12 | 50-79 | AH135462 | 8F23 | 41 | 125-5 | AH136017 | 8F4 | 9 | 121-83 |
| AH134972 | 4E25 | 11 | 50-79 | AH135463 | 9C4 | 11 | 130-11 | AH136020 | 8F4 | 12 | 121-83 |
| AH135029 | 4E21 | 16 | 50-75 | AH135463 | 9C15 | 1 | 130-23 | AH136023 | 9D6 | 7 | 130-39 |
| AH135035 | 1B18 | 1 | 20-1 | AH135476 | 5H18 | 6 | 80-29 | AH136052 | 8C18 | 16 | 121-25 |
| AH135035 | 1B20 | 4 | 20-3 | AH135477 | 5H18 | 6 | 80-29 | AH136092 | 9C10 | 8 | 130-17 |
| AH135035 | 1B20 | 6 | 20-3 | AH135480 | 5H18 | 10 | 80-29 | AH136126 | 8E20 | 36 | 121-75 |
| AH135039 | 4F10 | 11 | 50-89 | AH135493 | 5D9 | 7 | 70-39 | AH136126 | 8E22 | 35 | 121-77 |
| AH135041 | 1B24 | 8 | 20-7 | AH135494 | 5D9 | 7 | 70-39 | AH136146 | 2F18 | 20 | 30-3 |
| AH135047 | 3E2 | 2 | 40-59 | AH135498 | 8G16 | 3 | 125-23 | AH136146 | 2F22 | 11B | 30-7 |
| AH135064 | 5D22 | 3 | 70-52 | AH135548 | 8F23 | 35B | 125-5 | AH136147 | 2F18 | 20 | 30-3 |
| AH135155 | 2F18 | 25 | 30-3 | AH135550 | 9C6 | 6 | 130-13 | AH136153 | 9D8 | 15 | 130-41 |
| AH135170 | 4F14 | 24 | 50-93 | AH135551 | 9C6 | 6 | 130-13 | AH136162 | 5I8 | 8 | 80-43 |
| AH135170 | 4F16 | 14 | 50-95 | AH135558 | 9C6 | 3 | 130-13 | AH136163 | 5G21 | 1 | 80-7 |
| AH135171 | 4F14 | 24 | 50-93 | AH135559 | 9C6 | 17 | 130-13 | AH136172 | 1C16 | 1 | 20-23 |
| AH135171 | 4F14 | 25 | 50-93 | AH135560 | 9C6 | 10 | 130-13 | AH136172 | 5G4 | 1 | 70-111 |
| AH135171 | 4F16 | 19 | 50-95 | AH135561 | 9C17 | 2 | 130-25 | AH136172 | 5G4 | 4 | 70-111 |
| AH135191 | 2F18 | 18 | 30-3 | AH135562 | 9C2 | 15 | 130-9 | AH136172 | 6E25 | 6 | 90-83 |
| AH135207 | 8I7 | 15 | 125-63 | AH135563 | 9C6 | 19 | 130-13 | AH136172 | 6F2 | 6 | 90-85 |
| AH135207 | 8I9 | 17 | 125-65 | AH135564 | 9C6 | 19 | 130-13 | AH136202 | 5C2 | 21 | 70-7 |
| AH135210 | 9C10 | 8 | 130-17 | AH135565 | 8C8 | 18 | 121-15 | AH136202 | 8H2 | 12 | 125-33 |
| AH135217 | 4I14 | 4 | 60-51 | AH135572 | 8D16 | 30 | 121-47 | AH136202 | 8H6 | 26 | 125-37 |
| AH135223 | 9D2 | 4 | 130-35 | AH135572 | 8D18 | 16 | 121-49 | AH136203 | 5C2 | 6 | 70-7 |
| AH135226 | 9D2 | 19 | 130-35 | AH135573 | 8D16 | 20 | 121-47 | AH136233 | 2F20 | 15 | 30-5 |
| AH135228 | 9D2 | 7 | 130-35 | AH135573 | 8D18 | 6 | 121-49 | AH136239 | 8H22 | 25 | 125-53 |
| AH135230 | 9D2 | 13 | 130-35 | AH135579 | 9C15 | 14B | 130-23 | AH136248 | 5C2 | .. | 70-7 |
| AH135240 | 7D2 | 6A | 120-33 | AH135620 | 4F20 | 26 | 50-99 | AH136285 | 5I12 | 18 | 80-47 |
| AH135240 | 7D2 | 6B | 120-33 | AH135620 | 4F22 | 23 | 50-101 | AH136301 | 4G22 | 2 | 60-11 |
| AH135241 | 1B22 | 1 | 20-5 | AH135633 | 5H20 | 6A | 80-31 | AH136301 | 4G24 | 1 | 60-13 |
| AH135241 | 1B24 | 2 | 20-7 | AH135646 | 7C24 | 1 | 120-31 | AH136301 | 4H2 | 32 | 60-15 |
| AH135254 | 9F8 | .. | 170-17 | AH135657 | 8H14 | 3 | 125-45 | AH136304 | 4H2 | 26 | 60-15 |
| AH135254 | 9F12 | .. | 170-21 | AH135657 | 8H16 | 6 | 125-47 | AH136305 | 4H2 | 2 | 60-15 |
| AH135254 | 9F16 | .. | 170-25 | AH135667 | 9B24 | 5 | 130-7 | AH136307 | 5H12 | 17 | 80-23 |

NUMERICAL INDEX - CONTINUED

| PART NO. | GRID | KEY | PAGE | PART NO. | GRID | KEY | PAGE | PART NO. | GRID | KEY | PAGE |
|----------|------|-----|----------|----------|------|-----|----------|----------|------|-----|----------|
| AH136326 | 6C2 | 8 | 90 - 9 | AH137310 | 8C6 | 18 | 121 - 13 | AH138156 | 8F23 | 41 | 125 - 5 |
| AH136355 | 5I12 | 5 | 80 - 47 | AH137327 | 4C11 | 1 | 50 - 16 | AH138156 | 8G2 | 1 | 125 - 9 |
| AH136356 | 3D10 | 1 | 40 - 43 | AH137328 | 4C11 | 1 | 50 - 16 | AH138157 | 8F23 | 41 | 125 - 5 |
| AH136356 | 3F16 | 4 | 40 - 97 | AH137329 | 4C11 | 1 | 50 - 16 | AH138157 | 8G2 | 10 | 125 - 9 |
| AH136358 | 6G7 | 17B | 110 - 15 | AH137350 | 4C20 | 33 | 50 - 25 | AH138186 | 6H4 | 1 | 110 - 37 |
| AH136358 | 6G9 | 17 | 110 - 17 | AH137487 | 3G21 | 1 | 40 - 127 | AH138200 | 5F18 | 3 | 70 - 101 |
| AH136358 | 6G11 | 17 | 110 - 19 | AH137487 | 6F17 | 12 | 90 - 101 | AH138212 | 5G25 | 6 | 80 - 11 |
| AH136360 | 1C6 | 5 | 20 - 13 | AH137523 | 7C18 | 26 | 120 - 25 | AH138230 | 7E22 | 9A | 120 - 75 |
| AH136360 | 1C16 | 5 | 20 - 23 | AH137523 | 7C24 | 11 | 120 - 31 | AH138230 | 7E22 | 9B | 120 - 75 |
| AH136362 | 4C2 | 11 | 50 - 7 | AH137533 | 7C18 | 19 | 120 - 25 | AH138230 | 7E24 | 2A | 120 - 77 |
| AH136362 | 4G24 | 14 | 60 - 13 | AH137544 | 1C16 | 2 | 20 - 23 | AH138230 | 7E24 | 2B | 120 - 77 |
| AH136385 | 2G8 | 2 | 30 - 17 | AH137582 | 8I5 | 30 | 125 - 61 | AH138231 | 7E10 | 7A | 120 - 65 |
| AH136386 | 2G8 | 2 | 30 - 17 | AH137590 | 1C4 | 12 | 20 - 11 | AH138231 | 7E10 | 7B | 120 - 65 |
| AH136413 | 7F10 | 7A | 120 - 87 | AH137591 | 6H4 | 1 | 110 - 37 | AH138232 | 7E18 | 6A | 120 - 71 |
| AH136466 | 3B23 | 1 | 40 - 3 | AH137597 | 6H4 | 1 | 110 - 37 | AH138232 | 7E18 | 6B | 120 - 71 |
| AH136466 | 3D6 | 14 | 40 - 39 | AH137630 | 6H4 | 5 | 110 - 37 | AH138232 | 7E22 | 8A | 120 - 75 |
| AH136467 | 3C8 | 1 | 40 - 13 | AH137631 | 6H4 | 6 | 110 - 37 | AH138232 | 7E22 | 8B | 120 - 75 |
| AH136486 | 9B22 | 5 | 130 - 5 | AH137631 | 6H4 | 7 | 110 - 37 | AH138233 | 4I2 | 11A | 60 - 39 |
| AH136487 | 9B22 | 5 | 130 - 5 | AH137631 | 6H4 | 8 | 110 - 37 | AH138233 | 4I2 | 11B | 60 - 39 |
| AH136494 | 3G25 | 7 | 40 - 131 | AH137631 | 6H4 | 9 | 110 - 37 | AH138234 | 7E10 | 1C | 120 - 65 |
| AH136496 | 3G25 | 3 | 40 - 131 | AH137631 | 8H23 | 10 | 125 - 54 | AH138234 | 7E10 | 2A | 120 - 65 |
| AH136497 | 6H12 | 8 | 110 - 45 | AH137631 | 9B24 | 10 | 130 - 7 | AH138234 | 7E10 | 2B | 120 - 65 |
| AH136497 | 8D10 | 15 | 121 - 41 | AH137632 | 6H4 | 34 | 110 - 37 | AH138257 | 1B24 | 6 | 20 - 7 |
| AH136498 | 3F16 | 12 | 40 - 97 | AH137642 | 2G10 | 2 | 30 - 19 | AH138279 | 3B23 | 1 | 40 - 3 |
| AH136525 | 7F10 | 7A | 120 - 87 | AH137642 | 2G10 | 9 | 30 - 19 | AH138279 | 3D6 | 14 | 40 - 39 |
| AH136553 | 9E7 | 3 | 130 - 65 | AH137702 | 6E23 | 4 | 90 - 81 | AH138280 | 3B23 | 1 | 40 - 3 |
| AH136553 | 9E9 | 3 | 130 - 67 | AH137725 | 6C24 | 11A | 90 - 31 | AH138280 | 3D6 | 14 | 40 - 39 |
| AH136554 | 9E7 | 2 | 130 - 65 | AH137725 | 6C24 | 11B | 90 - 31 | AH138289 | 3D6 | 20 | 40 - 39 |
| AH136554 | 9E9 | 2 | 130 - 67 | AH137732 | 6H2 | 1 | 110 - 35 | AH138291 | 3E20 | 13 | 40 - 77 |
| AH136557 | 6C10 | 13 | 90 - 17 | AH137736 | 1C2 | 13 | 20 - 9 | AH138328 | 4C14 | 28 | 50 - 19 |
| AH136560 | 9C21 | 4 | 130 - 29 | AH137736 | 1C2 | 18 | 20 - 9 | AH138328 | 4C14 | 30 | 50 - 19 |
| AH136570 | 3B25 | 3 | 40 - 5 | AH137751 | 8G24 | 4 | 125 - 31 | AH138328 | 4C14 | 33 | 50 - 19 |
| AH136572 | 7F4 | 3 | 120 - 81 | AH137752 | 8G14 | 13 | 125 - 21 | AH138328 | 6D5 | 33 | 90 - 37 |
| AH136572 | 7F4 | 4 | 120 - 81 | AH137753 | 8G18 | 3 | 125 - 25 | AH138374 | 7D24 | 1 | 120 - 55 |
| AH136572 | 7F4 | 5 | 120 - 81 | AH137754 | 4C15 | 1 | 50 - 20 | AH138374 | 7E2 | 2 | 120 - 57 |
| AH136572 | 7F4 | 13 | 120 - 81 | AH137755 | 4C15 | 1 | 50 - 20 | AH138375 | 7E2 | 9 | 120 - 57 |
| AH136604 | 7C18 | 19 | 120 - 25 | AH137758 | 2G10 | 2 | 30 - 19 | AH138385 | 7D22 | 23 | 120 - 53 |
| AH136616 | 5H2 | 9 | 80 - 13 | AH137758 | 6F13 | 28 | 90 - 97 | AH138396 | 9D23 | 5 | 130 - 55 |
| AH136616 | 5H6 | 6 | 80 - 17 | AH137771 | 8C14 | 12 | 121 - 21 | AH138397 | 9D23 | 6 | 130 - 55 |
| AH136636 | 9C10 | 8 | 130 - 17 | AH137771 | 8C16 | 12 | 121 - 23 | AH138522 | 6E19 | .. | 90 - 77 |
| AH136637 | 8F23 | 21 | 125 - 5 | AH137772 | 8C10 | 1 | 121 - 17 | AH138565 | 4E19 | 15 | 50 - 73 |
| AH136896 | 3C16 | 2 | 40 - 23 | AH137772 | 8C12 | 1 | 121 - 19 | AH138601 | 6E19 | 13 | 90 - 77 |
| AH136896 | 3C18 | 2 | 40 - 25 | AH137788 | 3C10 | 26 | 40 - 15 | AH138601 | 6E19 | .. | 90 - 77 |
| AH136929 | 6D24 | 2 | 90 - 57 | AH137795 | 4C11 | 1 | 50 - 16 | AH138628 | 8F23 | 18 | 125 - 5 |
| AH136930 | 6D24 | 4 | 90 - 57 | AH137817 | 2F18 | 23 | 30 - 3 | AH138629 | 8F25 | 44 | 125 - 7 |
| AH136934 | 6E2 | 3 | 90 - 59 | AH137830 | 6G13 | 7 | 110 - 21 | AH138656 | 8H20 | 7 | 125 - 51 |
| AH136935 | 6E2 | 2 | 90 - 59 | AH137840 | 6G13 | 7 | 110 - 21 | AH138660 | 8B25 | 10 | 121 - 7 |
| AH136936 | 6E4 | 3 | 90 - 61 | AH137844 | 6H4 | 1 | 110 - 37 | AH138666 | 6D9 | .. | 90 - 41 |
| AH136937 | 6D22 | 2 | 90 - 55 | AH137927 | 3B23 | 1 | 40 - 3 | AH138702 | 4H2 | 31 | 60 - 15 |
| AH137147 | 3F16 | 12 | 40 - 97 | AH137927 | 3D6 | 14 | 40 - 39 | AH138707 | 4C14 | 4 | 50 - 19 |
| AH137183 | 3E12 | 18 | 40 - 69 | AH137935 | 5H10 | 3 | 80 - 21 | AH138707 | 6D5 | 4 | 90 - 37 |
| AH137183 | 9D12 | 3A | 130 - 45 | AH137951 | 8C10 | .. | 121 - 17 | AH138718 | 8H10 | 9 | 125 - 41 |
| AH137201 | 5H22 | 11 | 80 - 33 | AH137951 | 8C14 | .. | 121 - 21 | AH138751 | 6F21 | 1 | 110 - 3 |
| AH137212 | 3C10 | 26 | 40 - 15 | AH137975 | 4I2 | 8A | 60 - 39 | AH138751 | 6F21 | 19 | 110 - 3 |
| AH137223 | 6G22 | 20 | 110 - 31 | AH137975 | 4I2 | 8B | 60 - 39 | AH138751 | 6F21 | .. | 110 - 3 |
| AH137223 | 6G24 | 24 | 110 - 33 | AH137975 | 8G22 | 1 | 125 - 29 | AH138802 | 3E4 | 5 | 40 - 61 |
| AH137232 | 7C8 | 4B | 120 - 15 | AH137986 | 8H10 | 17 | 125 - 41 | AH138802 | 3E10 | 2 | 40 - 67 |
| AH137234 | 7B19 | 1 | 120 - 1 | AH138002 | 8B21 | .. | 121 - 3 | AH138809 | 4I15 | 1 | 60 - 52 |
| AH137238 | 3F16 | 10 | 40 - 97 | AH138002 | 8B23 | .. | 121 - 5 | AH138892 | 8F21 | 5 | 125 - 3 |
| AH137254 | 2F18 | 19 | 30 - 3 | AH138002 | 8C2 | .. | 121 - 9 | AH138892 | 8F23 | 40 | 125 - 5 |
| AH137254 | 5H12 | 6 | 80 - 23 | AH138048 | 4B24 | 10 | 50 - 5 | AH138893 | 8E2 | .. | 121 - 57 |
| AH137256 | 9C19 | 3 | 130 - 27 | AH138048 | 4C2 | 4 | 50 - 7 | AH138895 | 8E2 | .. | 121 - 57 |
| AH137258 | 9C19 | 2 | 130 - 27 | AH138092 | 6G7 | 1 | 110 - 15 | AH138940 | 1C16 | 4 | 20 - 23 |
| AH137285 | 4I4 | 5 | 60 - 41 | AH138098 | 3D6 | 12 | 40 - 39 | AH138940 | 5G25 | 6 | 80 - 11 |
| AH137288 | 8H22 | 25 | 125 - 53 | AH138099 | 3D6 | 20 | 40 - 39 | AH138947 | 9B24 | 8 | 130 - 7 |
| AH137295 | 4C11 | 1 | 50 - 16 | AH138111 | 6D9 | 8 | 90 - 41 | AH138962 | 6H14 | 1 | 110 - 47 |
| AH137303 | 8I5 | 30 | 125 - 61 | AH138154 | 8F23 | 21 | 125 - 5 | AH138971 | 8G8 | 24 | 125 - 15 |

NUMERICAL INDEX - CONTINUED

| PART NO. | GRID | KEY | PAGE | PART NO. | GRID | KEY | PAGE | PART NO. | GRID | KEY | PAGE |
|----------|------|-----|----------|----------|------|-----|----------|----------|------|-----|----------|
| AH138971 | 8H16 | 2 | 125 - 47 | AH139321 | 8B23 | .. | 121 - 5 | AH140044 | 7E20 | 2 | 120 - 73 |
| AH138972 | 8G8 | 25 | 125 - 15 | AH139321 | 8C2 | .. | 121 - 9 | AH140078 | 3F16 | 4 | 40 - 97 |
| AH138972 | 8H16 | 8 | 125 - 47 | AH139321 | 8C6 | .. | 121 - 13 | AH140081 | 9D6 | 2 | 130 - 39 |
| AH139015 | 8C12 | 21 | 121 - 19 | AH139342 | 7D14 | 6 | 120 - 45 | AH140110 | 2G10 | 2 | 30 - 19 |
| AH139021 | 8C10 | .. | 121 - 17 | AH139352 | 6G7 | 20 | 110 - 15 | AH140110 | 2G10 | 9 | 30 - 19 |
| AH139021 | 8C12 | .. | 121 - 19 | AH139384 | 5G25 | 6 | 80 - 11 | AH140112 | 6H2 | 9 | 110 - 35 |
| AH139021 | 8C14 | .. | 121 - 21 | AH139386 | 9B20 | 18 | 130 - 3 | AH140118 | 1B22 | 1 | 20 - 5 |
| AH139021 | 8C16 | .. | 121 - 23 | AH139387 | 9B20 | 18 | 130 - 3 | AH140118 | 1B24 | 2 | 20 - 7 |
| AH139030 | 5H2 | 13 | 80 - 13 | AH139390 | 9B20 | 18 | 130 - 3 | AH140119 | 1B20 | 2 | 20 - 3 |
| AH139030 | 5H6 | 14 | 80 - 17 | AH139422 | 6H16 | 5 | 110 - 49 | AH140120 | 3C4 | 7 | 40 - 9 |
| AH139031 | 5H2 | 10 | 80 - 13 | AH139430 | 7C10 | 17 | 120 - 17 | AH140120 | 3D16 | .. | 40 - 49 |
| AH139031 | 5H6 | 8 | 80 - 17 | AH139431 | 7C10 | 17 | 120 - 17 | AH140127 | 9C13 | 14 | 130 - 21 |
| AH139060 | 5E9 | 22 | 70 - 65 | AH139434 | 5G6 | 12 | 70 - 113 | AH140127 | 9C13 | 20 | 130 - 21 |
| AH139060 | 5E18 | 11 | 70 - 75 | AH139434 | 5G6 | 13 | 70 - 113 | AH140127 | 9C13 | 24 | 130 - 21 |
| AH139060 | 5E20 | 11 | 70 - 77 | AH139436 | 7D10 | 12 | 120 - 41 | AH140127 | 9C13 | 25 | 130 - 21 |
| AH139060 | 5E23 | 11 | 70 - 81 | AH139436 | 8D24 | 3 | 121 - 55 | AH140128 | 8F23 | 21 | 125 - 5 |
| AH139065 | 4H14 | 36 | 60 - 27 | AH139436 | 9E20 | 3 | 170 - 5 | AH140128 | 8F23 | 35B | 125 - 5 |
| AH139065 | 6E17 | 36 | 90 - 75 | AH139515 | 6G13 | 7 | 110 - 21 | AH140128 | 8G2 | 12 | 125 - 9 |
| AH139072 | 9D13 | 9 | 130 - 46 | AH139517 | 6G13 | 7 | 110 - 21 | AH140130 | 7C12 | 26 | 120 - 19 |
| AH139072 | 9D13 | 10 | 130 - 46 | AH139570 | 5G19 | 4 | 80 - 5 | AH140161 | 4B22 | 2A | 50 - 3 |
| AH139102 | 8B21 | .. | 121 - 3 | AH139571 | 5G19 | 5 | 80 - 5 | AH140169 | 3C16 | 1 | 40 - 23 |
| AH139102 | 8B23 | .. | 121 - 5 | AH139611 | 5D9 | 7 | 70 - 39 | AH140169 | 3C23 | 1 | 40 - 30 |
| AH139102 | 8C2 | .. | 121 - 9 | AH139612 | 5D9 | 7 | 70 - 39 | AH140170 | 1B20 | 18 | 20 - 3 |
| AH139118 | 8B21 | 5 | 121 - 3 | AH139640 | 6G13 | 7 | 110 - 21 | AH140185 | 6F23 | 19 | 110 - 5 |
| AH139119 | 6E6 | 4 | 90 - 63 | AH139679 | 8F23 | 18 | 125 - 5 | AH140206 | 6D20 | 3 | 90 - 53 |
| AH139119 | 6E6 | 6 | 90 - 63 | AH139679 | 8F25 | 55 | 125 - 7 | AH140214 | 8H18 | 8 | 125 - 49 |
| AH139129 | 3C2 | 12 | 40 - 7 | AH139679 | 8G2 | 20 | 125 - 9 | AH140253 | 4C5 | 3 | 50 - 10 |
| AH139129 | 6D3 | 12 | 90 - 35 | AH139680 | 8F25 | 44 | 125 - 7 | AH140312 | 5G18 | .. | 80 - 4 |
| AH139161 | 2F18 | 23 | 30 - 3 | AH139680 | 8F25 | 54 | 125 - 7 | AH140332 | 9D19 | 11 | 130 - 51 |
| AH139180 | 8D4 | 10 | 121 - 35 | AH139680 | 8G2 | 19 | 125 - 9 | AH140334 | 9D15 | 10 | 130 - 49 |
| AH139238 | 8C20 | 43 | 121 - 27 | AH139755 | 5D9 | .. | 70 - 39 | AH140335 | 9D15 | 10 | 130 - 49 |
| AH139240 | 5E7 | 36 | 70 - 63 | AH139755 | 5D10 | 5 | 70 - 40 | AH140410 | 4C10 | 3 | 50 - 15 |
| AH139240 | 5E11 | .. | 70 - 67 | AH139756 | 5D9 | .. | 70 - 39 | AH140410 | 4C10 | .. | 50 - 15 |
| AH139240 | 5E14 | .. | 70 - 71 | AH139756 | 5D10 | 5 | 70 - 40 | AH140416 | 7C12 | .. | 120 - 19 |
| AH139240 | 5E16 | .. | 70 - 73 | AH139767 | 7C10 | 17 | 120 - 17 | AH140427 | 5G19 | .. | 80 - 5 |
| AH139242 | 6H14 | 1 | 110 - 47 | AH139782 | 5H12 | 11 | 80 - 23 | AH140433 | 4E12 | 14 | 50 - 66 |
| AH139242 | 6H16 | 6 | 110 - 49 | AH139790 | 8F21 | 5 | 125 - 3 | AH140434 | 7F2 | 6 | 120 - 79 |
| AH139243 | 6H14 | 1 | 110 - 47 | AH139790 | 8F23 | 40 | 125 - 5 | AH140471 | 1C16 | 6 | 20 - 23 |
| AH139243 | 6H16 | 3 | 110 - 49 | AH139790 | 8G2 | 16 | 125 - 9 | AH140471 | 5G4 | 4 | 70 - 111 |
| AH139245 | 7C24 | 8 | 120 - 31 | AH139802 | 4F22 | 24 | 50 - 101 | AH140471 | 6E25 | 6 | 90 - 83 |
| AH139253 | 2G6 | 11 | 30 - 15 | AH139816 | 8D14 | 20 | 121 - 45 | AH140471 | 6F2 | 6 | 90 - 85 |
| AH139254 | 5G23 | 16 | 80 - 9 | AH139854 | 4F24 | 20 | 50 - 103 | AH140472 | 1C16 | 9 | 20 - 23 |
| AH139255 | 5G25 | 6 | 80 - 11 | AH139886 | 5G23 | 16 | 80 - 9 | AH140472 | 5G4 | 1 | 70 - 111 |
| AH139256 | 5G23 | 3 | 80 - 9 | AH139889 | 3C2 | 7 | 40 - 7 | AH140473 | 1C6 | 5 | 20 - 13 |
| AH139256 | 5G23 | 10 | 80 - 9 | AH139889 | 6D3 | 7 | 90 - 35 | AH140473 | 1C16 | 5 | 20 - 23 |
| AH139260 | 8F16 | 4 | 121 - 95 | AH139898 | 4G1 | 3 | 50 - 105 | AH140474 | 1C6 | 5 | 20 - 13 |
| AH139260 | 8F16 | 9 | 121 - 95 | AH139899 | 4G1 | 3 | 50 - 105 | AH140474 | 1C16 | 5 | 20 - 23 |
| AH139260 | 8F23 | 8 | 125 - 5 | AH139915 | 7F10 | 7A | 120 - 87 | AH140484 | 5G17 | 23 | 80 - 3 |
| AH139284 | 4H4 | 29 | 60 - 17 | AH139915 | 7F10 | 7B | 120 - 87 | AH140485 | 5G17 | 23 | 80 - 3 |
| AH139287 | 1C4 | 10 | 20 - 11 | AH139917 | 7F10 | 7A | 120 - 87 | AH140493 | 2F18 | 23 | 30 - 3 |
| AH139292 | 8F4 | 12 | 121 - 83 | AH139917 | 7F10 | 7B | 120 - 87 | AH140495 | 1B20 | 33 | 20 - 3 |
| AH139295 | 6G3 | 6 | 110 - 10 | AH139919 | 6F21 | 31A | 110 - 3 | AH140497 | 1B20 | 31 | 20 - 3 |
| AH139295 | 6G5 | 22 | 110 - 13 | AH139919 | 6H20 | 18A | 110 - 53 | AH140517 | 7C18 | 26 | 120 - 25 |
| AH139296 | 8D20 | 3 | 121 - 51 | AH139936 | 8C18 | 24A | 121 - 25 | AH140553 | 5G23 | 16 | 80 - 9 |
| AH139296 | 8E2 | 12 | 121 - 57 | AH139936 | 8C18 | 24B | 121 - 25 | AH140599 | 5G23 | 16 | 80 - 9 |
| AH139296 | 8E20 | 25 | 121 - 75 | AH139987 | 3G7 | 2 | 40 - 113 | AH140604 | 7C18 | 31 | 120 - 25 |
| AH139296 | 8E22 | 24 | 121 - 77 | AH139995 | 6G7 | 2 | 110 - 15 | AH140604 | 7C24 | 18 | 120 - 31 |
| AH139297 | 7D20 | 24 | 120 - 51 | AH139996 | 9D10 | 1 | 130 - 43 | AH140605 | 3D10 | 14 | 40 - 43 |
| AH139300 | 3E12 | 19 | 40 - 69 | AH140001 | 9D23 | 15 | 130 - 55 | AH140605 | 4G20 | 10 | 60 - 9 |
| AH139314 | 7B21 | 2 | 120 - 3 | AH140001 | 9D23 | 16 | 130 - 55 | AH140609 | 3C2 | 4 | 40 - 7 |
| AH139320 | 4G7 | 1 | 50 - 111 | AH140003 | 9D21 | 22 | 130 - 53 | AH140609 | 6D3 | 4 | 90 - 35 |
| AH139320 | 8B21 | .. | 121 - 3 | AH140004 | 9D23 | 19 | 130 - 55 | AH140610 | 3B25 | 4 | 40 - 5 |
| AH139320 | 8B23 | .. | 121 - 5 | AH140004 | 9E19 | 2 | 170 - 4 | AH140615 | 6F23 | 31 | 110 - 5 |
| AH139320 | 8C2 | .. | 121 - 9 | AH140008 | 8F4 | 12 | 121 - 83 | AH140620 | 7D20 | 19A | 120 - 51 |
| AH139320 | 8C6 | .. | 121 - 13 | AH140008 | 8F6 | 8 | 121 - 85 | AH140620 | 7D20 | 19B | 120 - 51 |
| AH139321 | 4G7 | 1 | 50 - 111 | AH140044 | 7E4 | 10 | 120 - 59 | AH140623 | 1C2 | 4 | 20 - 9 |
| AH139321 | 8B21 | .. | 121 - 3 | AH140044 | 7E12 | 2 | 120 - 67 | AH140623 | 1C4 | 24 | 20 - 11 |

NUMERICAL INDEX - CONTINUED

| PART NO. | GRID | KEY | PAGE | PART NO. | GRID | KEY | PAGE | PART NO. | GRID | KEY | PAGE |
|----------|------|-----|----------|----------|------|-----|----------|----------|------|-----|----------|
| AH140623 | 9E18 | 1 | 170 - 3 | AH141411 | 6C6 | 16 | 90 - 13 | AH142009 | 5H18 | 1A | 80 - 29 |
| AH140706 | 3C6 | 14 | 40 - 11 | AH141412 | 6C6 | 16 | 90 - 13 | AH142057 | 3C2 | 16 | 40 - 7 |
| AH140706 | 3C6 | 18 | 40 - 11 | AH141543 | 4F10 | 11 | 50 - 89 | AH142057 | 6D3 | 16 | 90 - 35 |
| AH140713 | 9D6 | 7 | 130 - 39 | AH141544 | 4F10 | 11 | 50 - 89 | AH142097 | 1C6 | 6 | 20 - 13 |
| AH140714 | 4H20 | 8 | 60 - 33 | AH141544 | 4F12 | 11 | 50 - 91 | AH142103 | 6E23 | 21 | 90 - 81 |
| AH140715 | 4H20 | 7 | 60 - 33 | AH141545 | 4E25 | 11 | 50 - 79 | AH142105 | 6E23 | 22 | 90 - 81 |
| AH140784 | 3D6 | 20 | 40 - 39 | AH141545 | 4F10 | 1 | 50 - 89 | AH142106 | 6F2 | 2 | 90 - 85 |
| AH140785 | 3D6 | 20 | 40 - 39 | AH141546 | 4E25 | 14 | 50 - 79 | AH142108 | 5F12 | .. | 70 - 95 |
| AH140786 | 3D6 | 20 | 40 - 39 | AH141547 | 4E25 | 16 | 50 - 79 | AH142108 | 5F16 | 11 | 70 - 99 |
| AH140786 | 3D6 | 22 | 40 - 39 | AH141550 | 6F21 | 30 | 110 - 3 | AH142139 | 4C8 | 1 | 50 - 13 |
| AH140786 | 3D6 | 25 | 40 - 39 | AH141550 | 6H20 | 19 | 110 - 53 | AH142139 | 4C9 | 1 | 50 - 14 |
| AH140786 | 3D6 | 27 | 40 - 39 | AH141571 | 8I5 | 30 | 125 - 61 | AH142155 | 3B23 | 1 | 40 - 3 |
| AH140786 | 3D6 | 29 | 40 - 39 | AH141573 | 8H22 | 25 | 125 - 53 | AH142155 | 3D6 | 14 | 40 - 39 |
| AH140786 | 3D6 | 31 | 40 - 39 | AH141576 | 9B20 | 12 | 130 - 3 | AH142158 | 4C8 | 1 | 50 - 13 |
| AH140790 | 9D10 | 1 | 130 - 43 | AH141580 | 2G6 | 11 | 30 - 15 | AH142158 | 4C9 | 1 | 50 - 14 |
| AH14080 | 8E2 | 6 | 121 - 57 | AH141582 | 4H4 | 29 | 60 - 17 | AH142163 | 8H22 | 27 | 125 - 53 |
| AH140838 | 6C4 | 12A | 90 - 11 | AH141617 | 7C8 | 4C | 120 - 15 | AH142164 | 5F10 | 16 | 70 - 93 |
| AH140838 | 6C4 | 12B | 90 - 11 | AH141640 | 9C25 | 1 | 130 - 33 | AH142164 | 5F12 | 18 | 70 - 95 |
| AH140851 | 4F10 | 11 | 50 - 89 | AH141652 | 8G18 | 5 | 125 - 25 | AH142168 | 2G6 | 8 | 30 - 15 |
| AH140852 | 4F10 | 11 | 50 - 89 | AH141671 | 1B24 | 11 | 20 - 7 | AH142180 | 9C2 | 9 | 130 - 9 |
| AH140901 | 9E2 | 23 | 130 - 59 | AH141672 | 1B22 | 5 | 20 - 5 | AH142183 | 9C2 | 9 | 130 - 9 |
| AH140902 | 5C2 | 25 | 70 - 7 | AH141672 | 1B22 | 11 | 20 - 5 | AH142190 | 9B24 | 5 | 130 - 7 |
| AH140902 | 8H2 | 12 | 125 - 33 | AH141672 | 1B22 | 22 | 20 - 5 | AH142193 | 9B24 | 5 | 130 - 7 |
| AH140902 | 8H6 | 26 | 125 - 37 | AH141672 | 1B24 | 14 | 20 - 7 | AH142194 | 9B24 | 5 | 130 - 7 |
| AH140903 | 5C2 | 6 | 70 - 7 | AH141686 | 4G24 | 5 | 60 - 13 | AH142196 | 9B24 | 5 | 130 - 7 |
| AH140931 | 2G10 | 3 | 30 - 19 | AH141687 | 4G24 | 6 | 60 - 13 | AH142295 | 9E3 | 11 | 130 - 60 |
| AH140965 | 1C4 | 10 | 20 - 11 | AH141743 | 5I10 | 2 | 80 - 45 | AH142327 | 3C2 | 7 | 40 - 7 |
| AH140966 | 1C4 | 10 | 20 - 11 | AH141748 | 8F4 | 12 | 121 - 83 | AH142327 | 6D3 | 7 | 90 - 35 |
| AH140967 | 5G23 | 3 | 80 - 9 | AH141748 | 8F6 | 8 | 121 - 85 | AH142336 | 3D2 | 23 | 40 - 35 |
| AH140967 | 5G23 | 10 | 80 - 9 | AH141762 | 8D6 | 14 | 121 - 37 | AH142370 | 7D16 | 15 | 120 - 47 |
| AH14097 | 8G10 | 1 | 125 - 17 | AH141762 | 8D24 | 25 | 121 - 55 | AH142370 | 7D16 | 16A | 120 - 47 |
| AH140989 | 3E12 | 18 | 40 - 69 | AH141774 | 6B25 | 4 | 90 - 7 | AH142370 | 7D16 | 16B | 120 - 47 |
| AH140989 | 9D12 | 3A | 130 - 45 | AH141779 | 6H2 | 9 | 110 - 35 | AH142393 | 6H4 | 31 | 110 - 37 |
| AH141012 | 3D6 | 1 | 40 - 39 | AH141779 | 6H2 | 10 | 110 - 35 | AH142404 | 6C20 | 2 | 90 - 27 |
| AH141012 | 3D6 | 5 | 40 - 39 | AH141781 | 6H2 | 9 | 110 - 35 | AH142404 | 6C22 | 4 | 90 - 29 |
| AH141012 | 3D6 | 6 | 40 - 39 | AH141781 | 6H2 | 12 | 110 - 35 | AH142404 | 6C22 | 24 | 90 - 29 |
| AH141012 | 3D6 | 7 | 40 - 39 | AH141782 | 6H2 | 9 | 110 - 35 | AH142404 | 6C24 | 4 | 90 - 31 |
| AH141012 | 3D6 | 8 | 40 - 39 | AH141782 | 6H2 | 11 | 110 - 35 | AH142404 | 6C24 | 21 | 90 - 31 |
| AH141012 | 3D6 | 10 | 40 - 39 | AH141791 | 3C2 | 7 | 40 - 7 | AH142407 | 6G3 | 24 | 110 - 10 |
| AH141022 | 8C12 | 21 | 121 - 19 | AH141791 | 6D3 | 7 | 90 - 35 | AH142421 | 7C2 | 1 | 120 - 9 |
| AH141030 | 7D6 | 2 | 120 - 37 | AH141794 | 4G24 | 2 | 60 - 13 | AH142441 | 4H8 | 32 | 60 - 21 |
| AH141038 | 3E2 | 2 | 40 - 59 | AH141804 | 6C22 | 1 | 90 - 29 | AH142441 | 4H14 | 27 | 60 - 27 |
| AH141039 | 4I2 | 8A | 60 - 39 | AH141807 | 6G7 | 1 | 110 - 15 | AH142441 | 6E17 | 27 | 90 - 75 |
| AH141041 | 8G20 | 4 | 125 - 27 | AH141808 | 1B24 | 17 | 20 - 7 | AH142442 | 3F16 | 11 | 40 - 97 |
| AH141051 | 8C12 | .. | 121 - 19 | AH141811 | 4D13 | 19 | 50 - 42 | AH142450 | 5E7 | 38 | 70 - 63 |
| AH141051 | 8C14 | .. | 121 - 21 | AH141811 | 4D16 | 19 | 50 - 45 | AH142450 | 5E18 | 12 | 70 - 75 |
| AH141051 | 8C16 | .. | 121 - 23 | AH141812 | 6C22 | 11 | 90 - 29 | AH142450 | 5E20 | 12 | 70 - 77 |
| AH141131 | 3C6 | 9 | 40 - 11 | AH141813 | 3G7 | 10A | 40 - 113 | AH142450 | 5E23 | 12 | 70 - 81 |
| AH141142 | 1B18 | 12 | 20 - 1 | AH141813 | 3G7 | 10B | 40 - 113 | AH142490 | 3C2 | 7 | 40 - 7 |
| AH141142 | 7E10 | 18 | 120 - 65 | AH141819 | 7F6 | 17 | 120 - 83 | AH142490 | 6D3 | 7 | 90 - 35 |
| AH141142 | 7E10 | 19 | 120 - 65 | AH141820 | 8C20 | 29 | 121 - 27 | AH142527 | 1B24 | 25 | 20 - 7 |
| AH141142 | 8F17 | .. | 121 - 96 | AH141820 | 8C24 | 2 | 121 - 31 | AH142552 | 7C2 | 2 | 120 - 9 |
| AH141152 | 5D9 | 2A | 70 - 39 | AH141823 | 2F18 | 27 | 30 - 3 | AH142553 | 6G20 | 1 | 110 - 28 |
| AH141152 | 6G7 | 4A | 110 - 15 | AH141824 | 9C2 | 9 | 130 - 9 | AH142594 | 3E4 | 24 | 40 - 61 |
| AH141171 | 3C6 | 5 | 40 - 11 | AH141827 | 9B24 | 5 | 130 - 7 | AH142594 | 3E8 | 32 | 40 - 65 |
| AH141184 | 8G10 | 27 | 125 - 17 | AH141829 | 9B24 | 5 | 130 - 7 | AH142595 | 3E4 | 24 | 40 - 61 |
| AH141201 | 9D21 | 22 | 130 - 53 | AH141839 | 9B24 | 5 | 130 - 7 | AH142595 | 3E8 | 32 | 40 - 65 |
| AH141203 | 7C18 | 15 | 120 - 25 | AH141841 | 9C2 | 9 | 130 - 9 | AH142597 | 3E4 | .. | 40 - 61 |
| AH141248 | 6H22 | 14 | 110 - 55 | AH141849 | 1B24 | 8 | 20 - 7 | AH142597 | 3E8 | .. | 40 - 65 |
| AH141265 | 3C10 | 26 | 40 - 15 | AH141852 | 9B24 | 5 | 130 - 7 | AH142611 | 4E23 | 4 | 50 - 77 |
| AH141283 | 6H22 | 16 | 110 - 55 | AH141858 | 5C6 | 1 | 70 - 11 | AH142611 | 4F6 | 4 | 50 - 85 |
| AH141390 | 8C8 | 20 | 121 - 15 | AH141858 | 8G14 | 14 | 125 - 21 | AH142629 | 9C6 | 20 | 130 - 13 |
| AH141390 | 8C20 | 46 | 121 - 27 | AH141860 | 6H14 | 1 | 110 - 47 | AH142731 | 5E12 | 25 | 70 - 68 |
| AH141393 | 7F6 | 5 | 120 - 83 | AH141860 | 6H16 | 5 | 110 - 49 | AH142731 | 5E16 | .. | 70 - 73 |
| AH141393 | 7F10 | 17 | 120 - 87 | AH141973 | 8D10 | 5 | 121 - 41 | AH142758 | 4F2 | 17 | 50 - 81 |
| AH141398 | 6G22 | 20 | 110 - 31 | AH141984 | 3C2 | 9 | 40 - 7 | AH142758 | 4F8 | 15 | 50 - 87 |
| AH141398 | 6G24 | 24 | 110 - 33 | AH141984 | 6D3 | 9 | 90 - 35 | AH142777 | 8G6 | 1 | 125 - 13 |

NUMERICAL INDEX - CONTINUED

| PART NO. | GRID | KEY | PAGE | PART NO. | GRID | KEY | PAGE | PART NO. | GRID | KEY | PAGE |
|----------|------|-----|----------|----------|------|-----|----------|----------|------|-----|----------|
| AH142870 | 8C2 | 20 | 121 - 9 | AH143904 | 8E8 | 5 | 121 - 63 | AH144855 | 5H18 | 5 | 80 - 29 |
| AH142870 | 8C4 | 18 | 121 - 11 | AH143921 | 3E12 | 20 | 40 - 69 | AH144868 | 7C18 | 26 | 120 - 25 |
| AH142893 | 4H8 | 31 | 60 - 21 | AH143923 | 3E12 | 20 | 40 - 69 | AH144893 | 3E4 | 24 | 40 - 61 |
| AH142999 | 3E12 | 18 | 40 - 69 | AH143997 | 3E16 | 1A | 40 - 73 | AH144893 | 3E8 | 32 | 40 - 65 |
| AH142999 | 9D12 | 3A | 130 - 45 | AH144018 | 3C16 | 2 | 40 - 23 | AH144954 | 3E8 | 32 | 40 - 65 |
| AH143032 | 6G15 | 1 | 110 - 23 | AH144019 | 3C20 | 2 | 40 - 27 | AH145021 | 3B23 | 1 | 40 - 3 |
| AH143033 | 5I4 | 12 | 80 - 39 | AH144020 | 3C20 | 1 | 40 - 27 | AH145021 | 3D6 | 14 | 40 - 39 |
| AH143035 | 4F4 | 1 | 50 - 83 | AH144020 | 6E19 | 34 | 90 - 77 | AH145022 | 3D8 | 17 | 40 - 41 |
| AH143036 | 2F20 | 15 | 30 - 5 | AH144030 | 5D9 | 2B | 70 - 39 | AH145022 | 3D10 | 4 | 40 - 43 |
| AH143047 | 8F23 | 21 | 125 - 5 | AH144030 | 6G7 | 4B | 110 - 15 | AH145022 | 3D12 | 1 | 40 - 45 |
| AH143047 | 8G2 | 23 | 125 - 9 | AH144030 | 6G9 | 4 | 110 - 17 | AH145022 | 3D16 | 11 | 40 - 49 |
| AH143068 | 3C2 | 7 | 40 - 7 | AH144030 | 6G11 | 4A | 110 - 19 | AH145022 | 9E14 | 3 | 160 - 5 |
| AH143068 | 6D3 | 7 | 90 - 35 | AH144044 | 3C22 | 6 | 40 - 29 | AH145025 | 3D8 | 17 | 40 - 41 |
| AH143218 | 5I4 | 10 | 80 - 39 | AH144068 | 9E2 | 4 | 130 - 59 | AH145026 | 3C8 | 1 | 40 - 13 |
| AH143218 | 5I8 | 17 | 80 - 43 | AH144079 | 7D20 | 19B | 120 - 51 | AH145029 | 6H6 | 6 | 110 - 39 |
| AH143219 | 5I2 | 7 | 80 - 37 | AH144079 | 7D20 | 19C | 120 - 51 | AH145029 | 6I4 | 12 | 110 - 59 |
| AH143301 | 3C8 | 1 | 40 - 13 | AH144081 | 7C14 | 6A | 120 - 21 | AH145029 | 9E17 | 3 | 170 - 2 |
| AH143322 | 5F18 | 16 | 70 - 101 | AH144084 | 3C16 | 6 | 40 - 23 | AH145030 | 5F14 | 20 | 70 - 97 |
| AH143322 | 5F20 | 12 | 70 - 103 | AH144084 | 3C18 | 5 | 40 - 25 | AH145031 | 3F8 | 10 | 40 - 89 |
| AH143352 | 4F4 | 5 | 50 - 83 | AH144084 | 3C20 | 3 | 40 - 27 | AH145031 | 3F10 | 10 | 40 - 91 |
| AH143352 | 4F12 | 11 | 50 - 91 | AH144084 | 6E23 | 8 | 90 - 81 | AH145049 | 9D15 | 10 | 130 - 49 |
| AH143353 | 4F2 | 16 | 50 - 81 | AH144095 | 5D17 | 18 | 70 - 47 | AH145050 | 9D15 | 10 | 130 - 49 |
| AH143357 | 9C6 | 20 | 130 - 13 | AH144096 | 3C16 | 1 | 40 - 23 | AH145051 | 9D8 | 1 | 130 - 41 |
| AH143365 | 6H4 | 31 | 110 - 37 | AH144096 | 3C18 | 1 | 40 - 25 | AH145056 | 3D14 | 20 | 40 - 47 |
| AH143399 | 6H4 | 1 | 110 - 37 | AH144096 | 3C23 | 1 | 40 - 30 | AH145060 | 4B22 | 2B | 50 - 3 |
| AH143400 | 6H4 | 1 | 110 - 37 | AH144099 | 6F21 | 31B | 110 - 3 | AH145061 | 4B22 | 1 | 50 - 3 |
| AH143407 | 4F24 | 19 | 50 - 103 | AH144099 | 6H20 | 18B | 110 - 53 | AH145065 | 6D11 | 7 | 90 - 43 |
| AH143417 | 3D2 | 7 | 40 - 35 | AH144100 | 6E6 | 18 | 90 - 63 | AH145157 | 6C18 | 8 | 90 - 25 |
| AH143422 | 3B23 | 6 | 40 - 3 | AH144103 | 7C4 | 2 | 120 - 11 | AH145203 | 6H22 | 6 | 110 - 55 |
| AH143424 | 8F4 | 12 | 121 - 83 | AH144192 | 4E25 | 11 | 50 - 79 | AH145204 | 6H22 | 10 | 110 - 55 |
| AH143424 | 8F6 | 8 | 121 - 85 | AH144192 | 4F10 | 1 | 50 - 89 | AH145205 | 6H22 | 13 | 110 - 55 |
| AH143424 | 8F8 | 7 | 121 - 87 | AH144192 | 4F12 | 1 | 50 - 91 | AH145206 | 6H22 | 11 | 110 - 55 |
| AH143445 | 3D2 | 8 | 40 - 35 | AH144194 | 4F12 | 11 | 50 - 91 | AH145232 | 1C16 | 9 | 20 - 23 |
| AH143455 | 5D17 | 7 | 70 - 47 | AH144338 | 3C20 | 6 | 40 - 27 | AH145232 | 5G4 | 1 | 70 - 111 |
| AH143512 | 6H22 | 7 | 110 - 55 | AH144339 | 3C22 | 8 | 40 - 29 | AH145233 | 5G23 | 16 | 80 - 9 |
| AH143512 | 6H22 | 8 | 110 - 55 | AH144381 | 3F16 | 4 | 40 - 97 | AH145236 | 4F18 | 4 | 50 - 97 |
| AH143682 | 5D6 | 1 | 70 - 35 | AH144382 | 3F16 | 4 | 40 - 97 | AH145238 | 4F18 | 5 | 50 - 97 |
| AH143682 | 5F20 | 1 | 70 - 103 | AH144383 | 3F16 | 4 | 40 - 97 | AH145240 | 5G2 | 6 | 70 - 109 |
| AH143711 | 3F16 | 4 | 40 - 97 | AH144333 | 3F16 | 11 | 40 - 97 | AH145242 | 5G2 | 7 | 70 - 109 |
| AH143719 | 3F16 | 4 | 40 - 97 | AH144477 | 8F21 | 5 | 125 - 3 | AH145256 | 3F4 | 1 | 40 - 85 |
| AH143720 | 3C10 | 26 | 40 - 15 | AH144480 | 5F18 | 1 | 70 - 101 | AH145256 | 3F5 | 1 | 40 - 86 |
| AH143727 | 9D19 | 11 | 130 - 51 | AH144482 | 5F18 | 2 | 70 - 101 | AH145262 | 7F6 | 15 | 120 - 83 |
| AH143729 | 9D19 | 11 | 130 - 51 | AH144503 | 3D2 | 23 | 40 - 35 | AH145263 | 7F6 | 16 | 120 - 83 |
| AH143731 | 9D19 | 11 | 130 - 51 | AH144523 | 6H22 | 2 | 110 - 55 | AH145277 | 3G11 | 4 | 40 - 117 |
| AH143737 | 4G22 | 2 | 60 - 11 | AH144542 | 7C12 | 26 | 120 - 19 | AH145281 | 6G17 | 16 | 110 - 25 |
| AH143737 | 4G24 | 1 | 60 - 13 | AH144543 | 7C12 | 26 | 120 - 19 | AH145282 | 6G17 | 10 | 110 - 25 |
| AH143737 | 4H2 | 32 | 60 - 15 | AH144553 | 2F18 | 23 | 30 - 3 | AH145315 | 6F23 | .. | 110 - 5 |
| AH143744 | 7C18 | 26 | 120 - 25 | AH144600 | 7C6 | 4 | 120 - 13 | AH145348 | 4C5 | 3 | 50 - 10 |
| AH143744 | 7C24 | 11 | 120 - 31 | AH144602 | 7C6 | 20 | 120 - 13 | AH145553 | 9C11 | 9 | 130 - 18 |
| AH143745 | 3F16 | 12 | 40 - 97 | AH144609 | 7C4 | 9 | 120 - 11 | AH145563 | 3H2 | 1 | 40 - 133 |
| AH143746 | 8D4 | 4 | 121 - 35 | AH144609 | 7C4 | 18 | 120 - 11 | AH145565 | 3C2 | 16 | 40 - 7 |
| AH143747 | 8D4 | 5 | 121 - 35 | AH144609 | 7C4 | 19 | 120 - 11 | AH145565 | 6D3 | 16 | 90 - 35 |
| AH143761 | 3D22 | 17 | 40 - 55 | AH144695 | 4I14 | 4 | 60 - 51 | AH145580 | 6G9 | 2 | 110 - 17 |
| AH143762 | 3E2 | .. | 40 - 59 | AH144715 | 6F23 | 17 | 110 - 5 | AH145601 | 7F10 | 7B | 120 - 87 |
| AH143871 | 5D9 | 2A | 70 - 39 | AH144719 | 1C16 | 4 | 20 - 23 | AH145602 | 7F10 | 7B | 120 - 87 |
| AH143871 | 6G7 | 4A | 110 - 15 | AH144719 | 5G25 | 6 | 80 - 11 | AH145612 | 4C11 | 1 | 50 - 16 |
| AH143900 | 3D8 | 17 | 40 - 41 | AH144741 | 3B25 | 6 | 40 - 5 | AH145612 | 4C12 | 1 | 50 - 17 |
| AH143900 | 3D10 | 4 | 40 - 43 | AH144742 | 3B25 | 7 | 40 - 5 | AH145613 | 4C11 | 1 | 50 - 16 |
| AH143900 | 3D12 | 1 | 40 - 45 | AH144776 | 7C6 | 12 | 120 - 13 | AH145613 | 4C12 | 1 | 50 - 17 |
| AH143900 | 3D16 | 11 | 40 - 49 | AH144777 | 7C6 | 2 | 120 - 13 | AH145614 | 4C11 | 1 | 50 - 16 |
| AH143900 | 3F16 | 4 | 40 - 97 | AH144778 | 6D20 | 1 | 90 - 53 | AH145614 | 4C12 | 1 | 50 - 17 |
| AH143902 | 3D8 | 17 | 40 - 41 | AH144815 | 7F6 | 8 | 120 - 83 | AH145615 | 4C11 | 1 | 50 - 16 |
| AH143903 | 3E16 | 1B | 40 - 73 | AH144816 | 7F6 | 10 | 120 - 83 | AH145615 | 4C12 | 1 | 50 - 17 |
| AH143903 | 3F16 | 4 | 40 - 97 | AH144816 | 7F8 | 9 | 120 - 85 | AH145616 | 6E13 | 2 | 90 - 70 |
| AH143904 | 3E16 | 1B | 40 - 73 | AH144827 | 7D18 | 5 | 120 - 49 | AH145622 | 4C3 | 4 | 50 - 8 |
| AH143904 | 8E4 | 5 | 121 - 59 | AH144831 | 5C6 | 2 | 70 - 11 | AH145623 | 4C4 | 1 | 50 - 9 |
| AH143904 | 8E6 | 5 | 121 - 61 | AH144854 | 5H18 | 5 | 80 - 29 | AH145624 | 4C4 | 9 | 50 - 9 |

NUMERICAL INDEX - CONTINUED

| PART NO. | GRID | KEY | PAGE | PART NO. | GRID | KEY | PAGE | PART NO. | GRID | KEY | PAGE |
|----------|------|-----|----------|----------|------|-----|----------|----------|------|-----|-----------|
| AH145631 | 6G9 | 1 | 110 - 17 | AH146309 | 3E20 | 6 | 40 - 77 | AH148192 | 6D3 | 16 | 90 - 35 |
| AH145673 | 6D9 | 2 | 90 - 41 | AH146313 | 8H18 | 8 | 125 - 49 | AH148210 | 3E14 | 14 | 40 - 71 |
| AH145674 | 3B25 | 23 | 40 - 5 | AH146352 | 9D4 | 21 | 130 - 37 | AH148225 | 6D14 | 1 | 90 - 46 |
| AH145678 | 6C14 | 28 | 90 - 21 | AH146359 | 9D23 | 19 | 130 - 55 | AH148226 | 6D14 | 3 | 90 - 46 |
| AH145678 | 6C16 | 16 | 90 - 23 | AH146359 | 9E19 | 2 | 170 - 4 | AH148227 | 6D14 | 2 | 90 - 46 |
| AH145686 | 7F6 | 17 | 120 - 83 | AH146361 | 5H24 | 4B | 80 - 35 | AH148258 | 3E4 | 5 | 40 - 61 |
| AH145687 | 7F6 | 16 | 120 - 83 | AH146461 | 8E2 | 28 | 121 - 57 | AH148258 | 3E10 | 2 | 40 - 67 |
| AH145688 | 3B25 | 4 | 40 - 5 | AH146462 | 8E2 | 31 | 121 - 57 | AH148259 | 3E4 | 22 | 40 - 61 |
| AH145691 | 4F12 | 11 | 50 - 91 | AH146463 | 8E2 | 4 | 121 - 57 | AH148278 | 3E6 | 12 | 40 - 63 |
| AH145699 | 3F16 | 4 | 40 - 97 | AH146491 | 4G24 | 1 | 60 - 13 | AH148286 | 1C6 | 6 | 20 - 13 |
| AH145700 | 3F16 | 4 | 40 - 97 | AH146491 | 4H2 | 32 | 60 - 15 | AH148288 | 2G6 | 9 | 30 - 15 |
| AH145701 | 3F16 | 12 | 40 - 97 | AH146492 | 4G20 | 2 | 60 - 9 | AH148354 | 3C2 | 12 | 40 - 7 |
| AH145703 | 5I10 | 11 | 80 - 45 | AH146506 | 8E2 | 4 | 121 - 57 | AH148354 | 6D3 | 12 | 90 - 35 |
| AH145706 | 7F6 | 8 | 120 - 83 | AH146564 | 7D14 | 3 | 120 - 45 | AH148406 | 3E4 | 24 | 40 - 61 |
| AH145706 | 7F8 | 7 | 120 - 85 | AH146572 | 7E6 | 4 | 120 - 61 | AH148406 | 3E8 | 32 | 40 - 65 |
| AH145762 | 6G19 | 1 | 110 - 27 | AH146621 | 2F18 | 23 | 30 - 3 | AH148416 | 5C10 | 7 | 70 - 15 |
| AH145763 | 6G19 | 2 | 110 - 27 | AH146634 | 1C2 | 5 | 20 - 9 | AH148472 | 5E3 | .. | 70 - 58 |
| AH145769 | 3D22 | 2 | 40 - 55 | AH146742 | 6D12 | 1 | 90 - 44 | AH148472 | 5E5 | 5 | 70 - 60 |
| AH145769 | 3D22 | 4 | 40 - 55 | AH146747 | 6B23 | 9 | 90 - 5 | AH148507 | 7E4 | 13 | 120 - 59 |
| AH145769 | 3D22 | 10 | 40 - 55 | AH146748 | 6B23 | 9 | 90 - 5 | AH148510 | 7E4 | 13 | 120 - 59 |
| AH145769 | 3D22 | 14 | 40 - 55 | AH146783 | 5H20 | 6B | 80 - 31 | AH148616 | 3C16 | 2 | 40 - 23 |
| AH145880 | 4F12 | 11 | 50 - 91 | AH146788 | 2F22 | 15B | 30 - 7 | AH148616 | 3C18 | 2 | 40 - 25 |
| AH145935 | 7F6 | 15 | 120 - 83 | AH146854 | 6C2 | 6 | 90 - 9 | AH148649 | 2G10 | 4 | 30 - 19 |
| AH145935 | 7F8 | 12 | 120 - 85 | AH146986 | 6C22 | .. | 90 - 29 | AH148893 | 8D10 | 14 | 121 - 41 |
| AH145947 | 3C10 | 7 | 40 - 15 | AH147030 | 6D12 | 3 | 90 - 44 | AH148910 | 3D16 | 1 | 40 - 49 |
| AH145962 | 3C8 | 9 | 40 - 13 | AH147066 | 6D9 | 7 | 90 - 41 | AH148910 | 3D18 | 1 | 40 - 51 |
| AH145964 | 3F16 | 11 | 40 - 97 | AH147084 | 5E7 | 38 | 70 - 63 | AH148911 | 3D8 | 17 | 40 - 41 |
| AH145980 | 4I4 | 10 | 60 - 41 | AH147084 | 5E18 | 12 | 70 - 75 | AH148959 | 6D9 | 2 | 90 - 41 |
| AH146032 | 6D20 | 4 | 90 - 53 | AH147084 | 5E20 | 12 | 70 - 77 | AH148990 | 2G6 | 7 | 30 - 15 |
| AH146041 | 5I10 | 7 | 80 - 45 | AH147084 | 5E23 | 12 | 70 - 81 | AH149088 | 6G9 | 2 | 110 - 17 |
| AH146041 | 5I10 | 11 | 80 - 45 | AH147085 | 5E3 | 24 | 70 - 58 | AH149088 | 6G11 | 2 | 110 - 19 |
| AH146043 | 5F12 | 3 | 70 - 95 | AH147086 | 5E11 | 24 | 70 - 67 | AH149179 | 8I5 | 30 | 125 - 61 |
| AH146043 | 5F12 | 4 | 70 - 95 | AH147086 | 5E12 | 22 | 70 - 68 | AH149181 | 9B22 | 5 | 130 - 5 |
| AH146043 | 5F12 | 5 | 70 - 95 | AH147086 | 5E14 | 24 | 70 - 71 | AH149186 | 9C6 | 6 | 130 - 13 |
| AH146043 | 5F12 | 6 | 70 - 95 | AH147086 | 5E16 | 22 | 70 - 73 | AH149187 | 9C6 | 6 | 130 - 13 |
| AH146043 | 5F12 | 7 | 70 - 95 | AH147086 | 5E18 | 10 | 70 - 75 | AH149202 | 9B24 | 5 | 130 - 7 |
| AH146043 | 5F12 | 8 | 70 - 95 | AH147086 | 5E20 | 10 | 70 - 77 | AH149203 | 9B24 | 5 | 130 - 7 |
| AH146043 | 5F12 | 11 | 70 - 95 | AH147086 | 5E20 | 29 | 70 - 77 | AH149229 | 1C16 | 5 | 20 - 23 |
| AH146043 | 5F12 | 12 | 70 - 95 | AH147086 | 5E23 | 10A | 70 - 81 | AH149243 | 9C2 | 18B | 130 - 9 |
| AH146043 | 5F12 | .. | 70 - 95 | AH147086 | 5E23 | 10B | 70 - 81 | AH149321 | 9B24 | 10 | 130 - 7 |
| AH146043 | 5F14 | 3 | 70 - 97 | AH147086 | 5E23 | 10C | 70 - 81 | AH149328 | 7D20 | 19C | 120 - 51 |
| AH146043 | 5F14 | 4 | 70 - 97 | AH147093 | 5I6 | 1B | 80 - 41 | AH149328 | 7D20 | 19D | 120 - 51 |
| AH146043 | 5F14 | 5 | 70 - 97 | AH147097 | 5E3 | 25 | 70 - 58 | AH149349 | 3H4 | 9 | 40 - 135 |
| AH146043 | 5F14 | 6 | 70 - 97 | AH147097 | 5E18 | 13 | 70 - 75 | AH149349 | 6F21 | 30 | 110 - 3 |
| AH146043 | 5F14 | 7 | 70 - 97 | AH147097 | 5E20 | 13 | 70 - 77 | AH149349 | 6F23 | .. | 110 - 5 |
| AH146043 | 5F14 | 8 | 70 - 97 | AH147097 | 5E23 | 13 | 70 - 81 | AH149349 | 6H20 | 19 | 110 - 53 |
| AH146043 | 5F14 | 9 | 70 - 97 | AH147153 | 6D13 | 1 | 90 - 45 | AH149349 | 6H20 | 25 | 110 - 53 |
| AH146043 | 5F14 | 11 | 70 - 97 | AH147201 | 7D18 | 14 | 120 - 49 | AH149356 | 8E2 | 38 | 121 - 57 |
| AH146043 | 5F14 | 12 | 70 - 97 | AH147353 | 8F2 | 3 | 121 - 81 | AH149357 | 8E2 | 7 | 121 - 57 |
| AH146043 | 5F14 | .. | 70 - 97 | AH147478 | 5H4 | 7 | 80 - 15 | AH149373 | 6B23 | 9 | 90 - 5 |
| AH146043 | 5F16 | 11 | 70 - 99 | AH147478 | 5H8 | 7 | 80 - 19 | AH149374 | 6B23 | 9 | 90 - 5 |
| AH146116 | 7C12 | .. | 120 - 19 | AH147537 | 6D9 | 2 | 90 - 41 | AH149544 | 7E4 | 13 | 120 - 59 |
| AH146196 | 7D18 | 14 | 120 - 49 | AH147544 | 4C4 | 1 | 50 - 9 | AH149548 | 7E4 | 13 | 120 - 59 |
| AH146197 | 6G9 | 1 | 110 - 17 | AH147545 | 4C3 | 4 | 50 - 8 | AH149552 | 7E12 | 11 | 120 - 67 |
| AH146197 | 6G11 | 1 | 110 - 19 | AH147546 | 4C4 | 9 | 50 - 9 | AH149552 | 7E14 | 14 | 120 - 67B |
| AH146198 | 6G9 | 2 | 110 - 17 | AH147555 | 3C2 | 7 | 40 - 7 | AH149588 | 1C16 | 9 | 20 - 23 |
| AH146198 | 6G11 | 2 | 110 - 19 | AH147555 | 6D3 | 7 | 90 - 35 | AH149588 | 5G4 | 1 | 70 - 111 |
| AH146207 | 3C8 | 9 | 40 - 13 | AH147583 | 7E8 | 6 | 120 - 63 | AH149618 | 1C16 | 6 | 20 - 23 |
| AH146208 | 3B25 | 3 | 40 - 5 | AH147743 | 7F8 | 13 | 120 - 85 | AH149618 | 5G4 | 4 | 70 - 111 |
| AH146208 | 3B25 | 24 | 40 - 5 | AH147935 | 4H10 | 9 | 60 - 23 | AH149618 | 6E25 | 6 | 90 - 83 |
| AH146215 | 9C11 | 15 | 130 - 18 | AH148028 | 3E14 | 20 | 40 - 71 | AH149618 | 6F2 | 6 | 90 - 85 |
| AH146217 | 9C8 | 6 | 130 - 15 | AH148106 | 1C7 | 4 | 20 - 14 | AH149631 | 6B23 | 8 | 90 - 5 |
| AH146219 | 9C8 | 2 | 130 - 15 | AH148106 | 1C8 | 4 | 20 - 15 | AH149676 | 8G2 | 24 | 125 - 9 |
| AH146221 | 9C8 | 1 | 130 - 15 | AH148106 | 1C9 | 4 | 20 - 16 | AH149702 | 7E22 | 1 | 120 - 75 |
| AH146221 | 9C8 | 3 | 130 - 15 | AH148107 | 7D18 | 5 | 120 - 49 | AH149833 | 3C25 | 30 | 40 - 33 |
| AH146222 | 9C8 | 1 | 130 - 15 | AH148124 | 5D17 | 18 | 70 - 47 | AH149834 | 3C25 | 3 | 40 - 33 |
| AH146234 | 6D22 | 1 | 90 - 55 | AH148192 | 3C2 | 16 | 40 - 7 | AH149835 | 3C25 | 1 | 40 - 33 |

NUMERICAL INDEX - CONTINUED

| PART NO. | GRID | KEY | PAGE | PART NO. | GRID | KEY | PAGE | PART NO. | GRID | KEY | PAGE |
|----------|------|-----|-----------|----------|------|-----|-----------|----------|------|-----|----------|
| AH149858 | 5H8 | 7 | 80 - 19 | AH151772 | 3D18 | 1 | 40 - 51 | AH154967 | 9D23 | 5 | 130 - 55 |
| AH149882 | 6C2 | 8 | 90 - 9 | AH151774 | 3B23 | 1 | 40 - 3 | AH154968 | 9D23 | 6 | 130 - 55 |
| AH149883 | 6C2 | 2B | 90 - 9 | AH151774 | 3D6 | 14 | 40 - 39 | AH155245 | 6G7 | 2 | 110 - 15 |
| AH149993 | 7E6 | 4 | 120 - 61 | AH151776 | 3E12 | 20 | 40 - 69 | AH155264 | 5D9 | 7 | 70 - 39 |
| AH150016 | 8E22 | 18 | 121 - 77 | AH151887 | 9C21 | 4 | 130 - 29 | AH155265 | 5D9 | 7 | 70 - 39 |
| AH150167 | 7E14 | 1 | 120 - 67B | AH151894 | 5I2 | 9 | 80 - 37 | AH155275 | 6I2 | 1 | 110 - 57 |
| AH150219 | 1C16 | 1 | 20 - 23 | AH152020 | 3G11 | 4 | 40 - 117 | AH155348 | 6I6 | 13 | 110 - 61 |
| AH150219 | 5G4 | 1 | 70 - 111 | AH152132 | 6G11 | .. | 110 - 19 | AH155480 | 3E12 | 18 | 40 - 69 |
| AH150219 | 5G4 | 4 | 70 - 111 | AH152443 | 3D8 | 17 | 40 - 41 | AH155480 | 9D12 | 3B | 130 - 45 |
| AH150219 | 6E25 | 6 | 90 - 83 | AH152443 | 3D10 | 4 | 40 - 43 | AH155483 | 3E8 | 38 | 40 - 65 |
| AH150219 | 6F2 | 6 | 90 - 85 | AH152443 | 3D12 | 1 | 40 - 45 | AH155493 | 7C18 | 19 | 120 - 25 |
| AH150441 | 6C8 | 21A | 90 - 15 | AH152443 | 3D16 | 11 | 40 - 49 | AH155523 | 3E6 | 12 | 40 - 63 |
| AH150473 | 3D20 | 1 | 40 - 53 | AH152443 | 9E14 | 3 | 160 - 5 | AH155577 | 3C2 | 18 | 40 - 7 |
| AH150473 | 3D22 | 7 | 40 - 55 | AH152451 | 3E12 | 2 | 40 - 69 | AH155577 | 6D3 | 18 | 90 - 35 |
| AH150496 | 7C20 | 1 | 120 - 27 | AH152457 | 3E6 | 12 | 40 - 63 | AH155657 | 6I8 | 1 | 110 - 63 |
| AH150498 | 7D8 | 13 | 120 - 39 | AH152619 | 3F16 | 4 | 40 - 97 | AH155659 | 6I4 | 13 | 110 - 59 |
| AH150499 | 7D8 | 13 | 120 - 39 | AH152654 | 9E3 | 6 | 130 - 60 | AH155669 | 5I12 | 23 | 80 - 47 |
| AH150611 | 4H12 | 18 | 60 - 25 | AH152654 | 9E3 | 7 | 130 - 60 | AH155703 | 6I8 | 6 | 110 - 63 |
| AH150687 | 5C12 | 6 | 70 - 17 | AH152654 | 9E3 | 11 | 130 - 60 | AH155706 | 6I8 | 3 | 110 - 63 |
| AH151118 | 7C18 | 15 | 120 - 25 | AH152668 | 3G9 | 2 | 40 - 115 | AH155707 | 6I6 | 16 | 110 - 61 |
| AH151118 | 7C20 | 8 | 120 - 27 | AH152939 | 6F21 | 30 | 110 - 3 | AH155707 | 6I8 | 3 | 110 - 63 |
| AH151120 | 7C16 | 12 | 120 - 23 | AH152939 | 6H20 | 19 | 110 - 53 | AH155715 | 6I6 | 7 | 110 - 61 |
| AH151120 | 7C18 | 33 | 120 - 25 | AH153040 | 8E2 | 4 | 121 - 57 | AH155736 | 6G7 | 1 | 110 - 15 |
| AH151120 | 7C20 | 5 | 120 - 27 | AH153133 | 3G9 | 4 | 40 - 115 | AH155737 | 6G7 | 1 | 110 - 15 |
| AH151123 | 6C2 | 11 | 90 - 9 | AH153207 | 3E4 | 24 | 40 - 61 | AH155739 | 6I4 | 9 | 110 - 59 |
| AH151139 | 1C6 | 5 | 20 - 13 | AH153207 | 3E8 | 32 | 40 - 65 | AH155820 | 3E8 | 37 | 40 - 65 |
| AH151139 | 1C16 | 5 | 20 - 23 | AH153311 | 3G9 | 3 | 40 - 115 | AH155821 | 3E8 | 37 | 40 - 65 |
| AH151301 | 5C10 | 15 | 70 - 15 | AH153332 | 3C10 | 26 | 40 - 15 | AH155831 | 4G24 | 1 | 60 - 13 |
| AH151302 | 6G7 | 1 | 110 - 15 | AH153339 | 3H4 | 9 | 40 - 135 | AH155831 | 4H2 | 32 | 60 - 15 |
| AH151331 | 7F10 | 7B | 120 - 87 | AH153339 | 6F23 | .. | 110 - 5 | AH155833 | 6I8 | 26 | 110 - 63 |
| AH151338 | 5I14 | 11 | 80 - 49 | AH153339 | 6H20 | 25 | 110 - 53 | AH155917 | 3D16 | 1 | 40 - 49 |
| AH151339 | 5I14 | 4 | 80 - 49 | AH153476 | 3G13 | 9 | 40 - 119 | AH155917 | 3D18 | 1 | 40 - 51 |
| AH151340 | 5I14 | 9 | 80 - 49 | AH153617 | 6C24 | 11B | 90 - 31 | AH155921 | 6C24 | .. | 90 - 31 |
| AH151341 | 5I14 | 8 | 80 - 49 | AH153626 | 3B21 | 3 | 40 - 1 | AH155928 | 3C2 | 19 | 40 - 7 |
| AH151342 | 5I18 | 6 | 80 - 53 | AH153688 | 7C18 | 26 | 120 - 25 | AH155928 | 6D3 | 19 | 90 - 35 |
| AH151343 | 5I18 | 11 | 80 - 53 | AH153688 | 7C20 | 13 | 120 - 27 | AH156050 | 6F23 | .. | 110 - 5 |
| AH151344 | 5I14 | 1 | 80 - 49 | AH153688 | 7C24 | 11 | 120 - 31 | AH156051 | 8D14 | 20 | 121 - 45 |
| AH151346 | 5I14 | 2 | 80 - 49 | AH153743 | 9C2 | 9 | 130 - 9 | AH156051 | 8D24 | 27 | 121 - 55 |
| AH151347 | 5I18 | 4 | 80 - 53 | AH153744 | 9C2 | 9 | 130 - 9 | AH156051 | 8E12 | 7 | 121 - 67 |
| AH151349 | 5I20 | 5 | 80 - 55 | AH153796 | 6C10 | 1 | 90 - 17 | AH156051 | 8I3 | 14 | 125 - 59 |
| AH151350 | 5I16 | 8 | 80 - 51 | AH153807 | 7E6 | 4 | 120 - 61 | AH156051 | 9C2 | 11 | 130 - 9 |
| AH151351 | 5I16 | 2 | 80 - 51 | AH153815 | 3F14 | 2 | 40 - 95 | AH156052 | 6F23 | .. | 110 - 5 |
| AH151352 | 5I20 | 4 | 80 - 55 | AH153910 | 3B21 | 6 | 40 - 1 | AH156066 | 6G7 | 3B | 110 - 15 |
| AH151353 | 5I16 | 3 | 80 - 51 | AH153911 | 6C2 | 1 | 90 - 9 | AH156066 | 6G11 | 3B | 110 - 19 |
| AH151354 | 8H22 | 27 | 125 - 53 | AH153915 | 3D8 | 16 | 40 - 41 | AH156168 | 5G23 | 16 | 80 - 9 |
| AH151376 | 3G1 | 3 | 40 - 107 | AH154151 | 3B21 | 7 | 40 - 1 | AH156177 | 8H22 | 25 | 125 - 53 |
| AH151400 | 5E7 | .. | 70 - 63 | AH154238 | 5G25 | 1 | 80 - 11 | AH156180 | 9B24 | 5 | 130 - 7 |
| AH151403 | 9D19 | 11 | 130 - 51 | AH154277 | 3B25 | 4 | 40 - 5 | AH156186 | 5H10 | 3 | 80 - 21 |
| AH151407 | 9D17 | 10 | 130 - 49B | AH154278 | 3C25 | 5 | 40 - 33 | AH156187 | 5H10 | 3 | 80 - 21 |
| AH151408 | 9D17 | 25 | 130 - 49B | AH154278 | 3D2 | 10 | 40 - 35 | AH156188 | 5H18 | 1A | 80 - 29 |
| AH151409 | 9D17 | 25 | 130 - 49B | AH154280 | 6C6 | 8 | 90 - 13 | AH156190 | 5I8 | 8 | 80 - 43 |
| AH151410 | 9D17 | 25 | 130 - 49B | AH154281 | 6C6 | 8 | 90 - 13 | AH156192 | 5H18 | 5 | 80 - 29 |
| AH151411 | 9D17 | 10 | 130 - 49B | AH154401 | 5I16 | 11 | 80 - 51 | AH156244 | 1C4 | 5 | 20 - 11 |
| AH151413 | 9D19 | 3 | 130 - 51 | AH154567 | 5I20 | 8 | 80 - 55 | AH156332 | 6D18 | .. | 90 - 51 |
| AH151414 | 9D19 | 3 | 130 - 51 | AH154573 | 3B25 | 3 | 40 - 5 | AH156374 | 6G9 | 2 | 110 - 17 |
| AH151521 | 5C10 | 12 | 70 - 15 | AH154573 | 3B25 | 24 | 40 - 5 | AH156374 | 6G11 | 2 | 110 - 19 |
| AH151522 | 5C10 | 1 | 70 - 15 | AH154574 | 6H16 | 1B | 110 - 49 | AH156375 | 6G9 | 1 | 110 - 17 |
| AH151536 | 8F10 | 9 | 121 - 89 | AH154641 | 5H8 | 7 | 80 - 19 | AH156375 | 6G11 | 1 | 110 - 19 |
| AH151538 | 8F12 | 13 | 121 - 91 | AH154737 | 6H22 | 16 | 110 - 55 | AH156376 | 6G7 | 2 | 110 - 15 |
| AH151598 | 6G9 | 1 | 110 - 17 | AH154737 | 6H24 | 6 | 110 - 55B | AH156377 | 6G7 | 1 | 110 - 15 |
| AH151598 | 6G11 | 1 | 110 - 19 | AH154738 | 6H24 | 9 | 110 - 55B | AH156388 | 5C7 | 8 | 70 - 12 |
| AH151653 | 8B23 | 1 | 121 - 5 | AH154739 | 6H24 | 8 | 110 - 55B | AH156413 | 9D12 | 5 | 130 - 45 |
| AH151770 | 3D8 | 17 | 40 - 41 | AH154740 | 6H24 | 5 | 110 - 55B | AH156596 | 9B24 | 5 | 130 - 7 |
| AH151770 | 3D10 | 4 | 40 - 43 | AH154741 | 6H24 | 3 | 110 - 55B | AH156626 | 4C3 | 4 | 50 - 8 |
| AH151770 | 3D12 | 1 | 40 - 45 | AH154742 | 6H24 | 1 | 110 - 55B | AH156727 | 6D18 | .. | 90 - 51 |
| AH151770 | 3D16 | 11 | 40 - 49 | AH154743 | 6H24 | .. | 110 - 55B | AH156811 | 9B24 | 5 | 130 - 7 |
| AH151772 | 3D16 | 1 | 40 - 49 | AH154920 | 9C21 | 27 | 130 - 29 | AH156975 | 6I6 | 3 | 110 - 61 |

NUMERICAL INDEX - CONTINUED

| PART NO. | GRID | KEY | PAGE | PART NO. | GRID | KEY | PAGE | PART NO. | GRID | KEY | PAGE |
|----------|------|-----|----------|----------|------|-----|----------|----------|------|-----|----------|
| AH157029 | 6C12 | 8 | 90 - 19 | AH160137 | 4H2 | 32 | 60 - 15 | AH163803 | 8C20 | 46 | 121 - 27 |
| AH157168 | 6I8 | 16 | 110 - 63 | AH160425 | 8F12 | 13 | 121 - 91 | AH163920 | 7C12 | .. | 120 - 19 |
| AH157415 | 6I8 | 18 | 110 - 63 | AH160469 | 6C12 | 3 | 90 - 19 | AH163921 | 7C12 | .. | 120 - 19 |
| AH157492 | 5D9 | 2C | 70 - 39 | AH160473 | 6C12 | 2 | 90 - 19 | AH163931 | 7D10 | 12 | 120 - 41 |
| AH157492 | 6G7 | 4C | 110 - 15 | AH160474 | 6C12 | 2 | 90 - 19 | AH163931 | 8D24 | 3 | 121 - 55 |
| AH157492 | 6G11 | 4B | 110 - 19 | AH160606 | 8F12 | 11 | 121 - 91 | AH163931 | 9E20 | 3 | 170 - 5 |
| AH157557 | 6E2 | 3 | 90 - 59 | AH160606 | 8F12 | 12 | 121 - 91 | AH163979 | 3E12 | 18 | 40 - 69 |
| AH157634 | 6E2 | 1 | 90 - 59 | AH160622 | 9C21 | 27 | 130 - 29 | AH163979 | 9D12 | 3A | 130 - 45 |
| AH157724 | 9C25 | 1 | 130 - 33 | AH160745 | 4D7 | 28 | 50 - 36 | AH163979 | 9D12 | 7 | 130 - 45 |
| AH157934 | 6H12 | 6 | 110 - 45 | AH160745 | 4D8 | 28 | 50 - 37 | AH164363 | 5H8 | 7 | 80 - 19 |
| AH157942 | 6H16 | 6 | 110 - 49 | AH160750 | 4D14 | 28 | 50 - 43 | AH164497 | 3G25 | 12 | 40 - 131 |
| AH157973 | 5D22 | 6 | 70 - 52 | AH160750 | 4D15 | 28 | 50 - 44 | AH164499 | 3E12 | 2 | 40 - 69 |
| AH158038 | 3H5 | 1 | 40 - 136 | AH160785 | 4D4 | .. | 50 - 33 | AH164609 | 9D13 | 11 | 130 - 46 |
| AH158106 | 9C25 | 1 | 130 - 33 | AH160785 | 4D6 | .. | 50 - 35 | AH164868 | 9C13 | 20 | 130 - 21 |
| AH158107 | 9C25 | 1 | 130 - 33 | AH160785 | 4G7 | 3 | 50 - 111 | AH164868 | 9C13 | 24 | 130 - 21 |
| AH158115 | 9C21 | 4 | 130 - 29 | AH160785 | 4G7 | 6 | 50 - 111 | AH165877 | 3H5 | 1 | 40 - 136 |
| AH158145 | 6G13 | 7 | 110 - 21 | AH160790 | 4D10 | .. | 50 - 39 | AH165936 | 8F23 | 41 | 125 - 5 |
| AH158151 | 5I14 | 8 | 80 - 49 | AH160790 | 4D15 | .. | 50 - 44 | AH165936 | 8G2 | 10 | 125 - 9 |
| AH158262 | 5H18 | 1A | 80 - 29 | AH160790 | 4D18 | .. | 50 - 47 | AH165937 | 8F23 | 41 | 125 - 5 |
| AH158262 | 5H18 | 1B | 80 - 29 | AH160790 | 4D20 | .. | 50 - 49 | AH165937 | 8G2 | 1 | 125 - 9 |
| AH158263 | 5H18 | 5 | 80 - 29 | AH160790 | 4G7 | 3 | 50 - 111 | AH166713 | 5I2 | 1 | 80 - 37 |
| AH158310 | 3F6 | 4 | 40 - 87 | AH160790 | 4G7 | 6 | 50 - 111 | AH166713 | 9C23 | 30 | 130 - 31 |
| AH158487 | 5I8 | 8 | 80 - 43 | AH160994 | 8I7 | 15 | 125 - 63 | AH166714 | 5I4 | 1 | 80 - 39 |
| AH158514 | 3F6 | 5 | 40 - 87 | AH160994 | 8I9 | 17 | 125 - 65 | AH166714 | 9C23 | 18 | 130 - 31 |
| AH158604 | 3F12 | 10 | 40 - 93 | AH161335 | 3C2 | 7 | 40 - 7 | AH166953 | 5D24 | 12 | 70 - 55 |
| AH158635 | 6H4 | 35 | 110 - 37 | AH161335 | 6D3 | 7 | 90 - 35 | AH167132 | 8F2 | 3 | 121 - 81 |
| AH158635 | 8H23 | 10 | 125 - 54 | AH161389 | 7C10 | 17 | 120 - 17 | AH167433 | 9D4 | 31 | 130 - 37 |
| AH158642 | 5I16 | 14 | 80 - 51 | AH161390 | 7C10 | 17 | 120 - 17 | AH167434 | 4I14 | 4 | 60 - 51 |
| AH158659 | 4C11 | 1 | 50 - 16 | AH161395 | 7C10 | 17 | 120 - 17 | AH167553 | 5F18 | .. | 70 - 101 |
| AH158659 | 4C12 | 1 | 50 - 17 | AH161398 | 7C10 | 17 | 120 - 17 | AH167582 | 4I15 | 1 | 60 - 52 |
| AH158660 | 4C11 | 1 | 50 - 16 | AH161411 | 7C10 | 17 | 120 - 17 | AH167584 | 4I14 | 4 | 60 - 51 |
| AH158660 | 4C12 | 1 | 50 - 17 | AH161463 | 2G8 | 1 | 30 - 17 | AH167849 | 9D23 | 5 | 130 - 55 |
| AH158661 | 4C12 | 1 | 50 - 17 | AH161463 | 2G8 | 2 | 30 - 17 | AH167850 | 9D23 | 6 | 130 - 55 |
| AH158662 | 4C11 | 1 | 50 - 16 | AH161485 | 4H2 | 31 | 60 - 15 | AH168093 | 9C25 | .. | 130 - 33 |
| AH158662 | 4C12 | 1 | 50 - 17 | AH161513 | 5H18 | 1A | 80 - 29 | AH168158 | 7F8 | 3 | 120 - 85 |
| AH158689 | 3E6 | 12 | 40 - 63 | AH161513 | 5H18 | 1B | 80 - 29 | AH168158 | 7F8 | 5 | 120 - 85 |
| AH158820 | 8G2 | 24 | 125 - 9 | AH161527 | 5E7 | 33 | 70 - 63 | AH168158 | 7F8 | 14 | 120 - 85 |
| AH158849 | 5H18 | 5 | 80 - 29 | AH161529 | 5E7 | 34 | 70 - 63 | AH168300 | 9D4 | 37 | 130 - 37 |
| AH158880 | 9E2 | 45 | 130 - 59 | AH161530 | 5E12 | 3 | 70 - 68 | AH168683 | 8C6 | 18 | 121 - 13 |
| AH158880 | 9E20 | 4 | 170 - 5 | AH161818 | 7C12 | .. | 120 - 19 | AH168934 | 5G21 | 22A | 80 - 7 |
| AH159053 | 6H16 | 19 | 110 - 49 | AH161838 | 3D23 | 4 | 40 - 56 | AH168934 | 5G21 | 22B | 80 - 7 |
| AH159053 | 6I8 | 14 | 110 - 63 | AH161839 | 3D23 | 3 | 40 - 56 | AH169220 | 8E20 | 36 | 121 - 75 |
| AH159054 | 6H16 | 19 | 110 - 49 | AH161929 | 6D9 | 2 | 90 - 41 | AH169220 | 8E22 | 35 | 121 - 77 |
| AH159054 | 6I8 | 14 | 110 - 63 | AH162068 | 8C18 | 4 | 121 - 25 | AH169233 | 8H22 | 25 | 125 - 53 |
| AH159061 | 5I16 | 8 | 80 - 51 | AH162145 | 5E25 | .. | 70 - 83 | AH18482 | 8H23 | 11 | 125 - 54 |
| AH159079 | 6B21 | 10 | 90 - 3 | AH162250 | 7F2 | 11 | 120 - 79 | AH20849 | 2G6 | 17 | 30 - 15 |
| AH159105 | 3F12 | 12 | 40 - 93 | AH162400 | 9D8 | 1 | 130 - 41 | AH20868 | 4C20 | 19 | 50 - 25 |
| AH159141 | 3E12 | 20 | 40 - 69 | AH162442 | 9B24 | 10 | 130 - 7 | AH20868 | 8C10 | 25 | 121 - 17 |
| AH159186 | 6C12 | 8 | 90 - 19 | AH162469 | 8D16 | 30 | 121 - 47 | AH20868 | 8C14 | 9 | 121 - 21 |
| AH159187 | 6C12 | 8 | 90 - 19 | AH162469 | 8D18 | 16 | 121 - 49 | AH21815 | 9C13 | 19 | 130 - 21 |
| AH159188 | 6C12 | 8 | 90 - 19 | AH162573 | 4I8 | 19 | 60 - 45 | AH64349 | 6F13 | 1 | 90 - 97 |
| AH159233 | 6F23 | 34 | 110 - 5 | AH162581 | 3E14 | 14 | 40 - 71 | AH64610 | 4I15 | 1 | 60 - 52 |
| AH159349 | 3C2 | 7 | 40 - 7 | AH162724 | 6G17 | 10 | 110 - 25 | AH65358 | 4D20 | 34 | 50 - 49 |
| AH159349 | 6D3 | 7 | 90 - 35 | AH162746 | 6C8 | 21A | 90 - 15 | AH65358 | 4D22 | 7 | 50 - 51 |
| AH159352 | 3C2 | 12 | 40 - 7 | AH162746 | 6C8 | 21B | 90 - 15 | AH75167 | 5C7 | 2 | 70 - 12 |
| AH159352 | 6D3 | 12 | 90 - 35 | AH162845 | 7C12 | 26 | 120 - 19 | AH75167 | 5C8 | 1 | 70 - 13 |
| AH159704 | 6H2 | 1 | 110 - 35 | AH162851 | 7C12 | 26 | 120 - 19 | AH75167 | 5C16 | 7 | 70 - 21 |
| AH159984 | 3C2 | 7 | 40 - 7 | AH162857 | 7C12 | 26 | 120 - 19 | AH75167 | 5C22 | 16 | 70 - 27 |
| AH159984 | 6D3 | 7 | 90 - 35 | AH162914 | 2F18 | 25 | 30 - 3 | AH75167 | 8H8 | 11 | 125 - 39 |
| AH160053 | 6G7 | 1 | 110 - 15 | AH163526 | 3C2 | 7 | 40 - 7 | AH75167 | 8H10 | 15 | 125 - 41 |
| AH160054 | 6G7 | 1 | 110 - 15 | AH163526 | 6D3 | 7 | 90 - 35 | AH75985 | 9C13 | 24 | 130 - 21 |
| AH160084 | 5G25 | 1 | 80 - 11 | AH163686 | 8E20 | 27 | 121 - 75 | AH75985 | 9C15 | 21 | 130 - 23 |
| AH160115 | 6C22 | 1 | 90 - 29 | AH163686 | 8E22 | 26 | 121 - 77 | AH76882 | 8H2 | 9 | 125 - 33 |
| AH160136 | 4G22 | 2 | 60 - 11 | AH163708 | 6E6 | 8 | 90 - 63 | AH77279 | 3E2 | 23 | 40 - 59 |
| AH160136 | 4G24 | 1 | 60 - 13 | AH163761 | 7D22 | 5 | 120 - 53 | AH77279 | 3H4 | 3 | 40 - 135 |
| AH160136 | 4H2 | 32 | 60 - 15 | AH163761 | 7D22 | 7 | 120 - 53 | AH77279 | 8C18 | 11 | 121 - 25 |
| AH160137 | 4G24 | 1 | 60 - 13 | AH163803 | 8C8 | 20 | 121 - 15 | AH77714 | 9E5 | 8 | 130 - 63 |

NUMERICAL INDEX - CONTINUED

| PART NO. | GRID | KEY | PAGE | PART NO. | GRID | KEY | PAGE | PART NO. | GRID | KEY | PAGE |
|----------|------|-----|----------|----------|------|-----|----------|----------|------|-----|----------|
| AH77724 | 3E2 | 16 | 40 - 59 | AH89557 | 3C16 | 5 | 40 - 23 | AH96317 | 3D10 | 18 | 40 - 43 |
| AH77724 | 4C14 | 23 | 50 - 19 | AH89557 | 3C18 | 4 | 40 - 25 | AH96317 | 3D12 | 9 | 40 - 45 |
| AH77724 | 6E23 | 15 | 90 - 81 | AH89557 | 3D8 | 6 | 40 - 41 | AH96317 | 3E4 | 3 | 40 - 61 |
| AH77869 | 3C10 | 36 | 40 - 15 | AH89557 | 3D10 | 12 | 40 - 43 | AH96317 | 3E4 | 15 | 40 - 61 |
| AH77869 | 3E12 | 19 | 40 - 69 | AH89557 | 3D12 | 6 | 40 - 45 | AH96317 | 3E12 | 16 | 40 - 69 |
| AH77869 | 5C8 | 7 | 70 - 13 | AH89557 | 3D16 | 2 | 40 - 49 | AH96317 | 3F4 | 2 | 40 - 85 |
| AH77869 | 5D6 | 14 | 70 - 35 | AH89557 | 3D16 | 8 | 40 - 49 | AH96317 | 3F5 | 2 | 40 - 86 |
| AH77869 | 6E23 | 9 | 90 - 81 | AH89557 | 3D18 | 12 | 40 - 51 | AH96317 | 3F14 | 8 | 40 - 95 |
| AH77884 | 4F24 | 17 | 50 - 103 | AH89557 | 3D22 | 15 | 40 - 55 | AH96317 | 4H12 | 11 | 60 - 25 |
| AH77884 | 9B20 | 31 | 130 - 3 | AH89557 | 3E2 | 14 | 40 - 59 | AH96317 | 5C24 | 26 | 70 - 29 |
| AH78124 | 5C8 | 8 | 70 - 13 | AH89557 | 3E2 | 23 | 40 - 59 | AH96317 | 5F8 | 8 | 70 - 91 |
| AH78125 | 5C7 | 3 | 70 - 12 | AH89557 | 3E4 | 4 | 40 - 61 | AH96317 | 5G25 | 7 | 80 - 11 |
| AH78125 | 6E23 | 15 | 90 - 81 | AH89557 | 3E4 | 15 | 40 - 61 | AH96317 | 6E15 | 11 | 90 - 73 |
| AH78237 | 5C22 | 6 | 70 - 27 | AH89557 | 3E12 | 15 | 40 - 69 | AH96317 | 6E19 | 3A | 90 - 77 |
| AH80335 | 6B23 | 7 | 90 - 5 | AH89557 | 3E14 | 6 | 40 - 71 | AH96317 | 6E23 | 11 | 90 - 81 |
| AH80335 | 6C6 | 18 | 90 - 13 | AH89557 | 3E14 | 18 | 40 - 71 | AH96317 | 8C4 | 10 | 121 - 11 |
| AH80335 | 7E16 | 17 | 120 - 69 | AH89557 | 3F7 | 2 | 40 - 88 | AH96317 | 8I15 | 2 | 125 - 71 |
| AH80335 | 9C21 | 11 | 130 - 29 | AH89557 | 3G11 | 6 | 40 - 117 | AH96317 | 8I17 | 2 | 125 - 73 |
| AH80384 | 1C4 | 17 | 20 - 11 | AH89557 | 3G17 | 13 | 40 - 123 | AH96345 | 6F21 | 21 | 110 - 3 |
| AH80384 | 8D4 | 4 | 121 - 35 | AH89557 | 3G19 | 13 | 40 - 125 | AH96359 | 5E7 | 36 | 70 - 63 |
| AH80916 | 4B24 | 19 | 50 - 5 | AH89557 | 3G21 | 2 | 40 - 127 | AH96359 | 5E11 | .. | 70 - 67 |
| AH80916 | 4C2 | 10 | 50 - 7 | AH89557 | 3H4 | 6 | 40 - 135 | AH96359 | 5E14 | .. | 70 - 71 |
| AH81167 | 5C2 | .. | 70 - 7 | AH89557 | 4H6 | 4 | 60 - 19 | AH96585 | 9D4 | 5 | 130 - 37 |
| AH81622 | 4E19 | 14 | 50 - 73 | AH89557 | 5G25 | 8 | 80 - 11 | AH96938 | 6G2 | 18 | 110 - 9 |
| AH83545 | 8H4 | 8 | 125 - 35 | AH89557 | 6B21 | 14 | 90 - 3 | AH97031 | 8C20 | 7 | 121 - 27 |
| AH84241 | 6H4 | 5 | 110 - 37 | AH89557 | 6H2 | 20 | 110 - 35 | AH97031 | 8D14 | 10 | 121 - 45 |
| AH84695 | 4E12 | 5 | 50 - 66 | AH89557 | 9E14 | 2 | 160 - 5 | AH97031 | 8I3 | 8 | 125 - 59 |
| AH84695 | 4E13 | 5 | 50 - 67 | AH89557 | 9E14 | 4 | 160 - 5 | AH97280 | 4H22 | 11 | 60 - 35 |
| AH85276 | 8I3 | 8 | 125 - 59 | AH89557 | 9E14 | 7 | 160 - 5 | AH97280 | 5D6 | 2 | 70 - 35 |
| AH85415 | 8G8 | 19 | 125 - 15 | AH89918 | 8F23 | 39 | 125 - 5 | AH97340 | 6G5 | 2 | 110 - 13 |
| AH86866 | 4I15 | 8 | 60 - 52 | AH90963 | 9D4 | 3 | 130 - 37 | AH97643 | 6F21 | 30 | 110 - 3 |
| AH86897 | 8H23 | 10 | 125 - 54 | AH90990 | 2F22 | 13B | 30 - 7 | AH97643 | 6H20 | 19 | 110 - 53 |
| AH86897 | 8H23 | 12 | 125 - 54 | AH90990 | 3C10 | 36 | 40 - 15 | AH97920 | 4H14 | 34 | 60 - 27 |
| AH87141 | 8C20 | 30 | 121 - 27 | AH90990 | 3D12 | 5 | 40 - 45 | AH97920 | 6E17 | 34 | 90 - 75 |
| AH87272 | 5G25 | 12 | 80 - 11 | AH90990 | 3D18 | 8 | 40 - 51 | AH98118 | 9D13 | 1 | 130 - 46 |
| AH87765 | 8H23 | 10 | 125 - 54 | AH90990 | 3E4 | 18 | 40 - 61 | AH98176 | 8I1 | 7 | 125 - 57 |
| AH87790 | 5D22 | 5 | 70 - 52 | AH90990 | 3F8 | 6 | 40 - 89 | AH98901 | 3E14 | 14 | 40 - 71 |
| AH87806 | 3C6 | 3 | 40 - 11 | AH90990 | 3F10 | 6 | 40 - 91 | AL14674 | 7D20 | 22 | 120 - 51 |
| AH89486 | 2G8 | 10 | 30 - 17 | AH90990 | 3F12 | 6 | 40 - 93 | AL14674 | 8D22 | 50 | 121 - 53 |
| AH89486 | 3C12 | 4 | 40 - 19 | AH90990 | 3F14 | 16 | 40 - 95 | AL2976T | 3F24 | 20 | 40 - 105 |
| AH89486 | 3C14 | 4 | 40 - 21 | AH90990 | 4F18 | 15 | 50 - 97 | AL58739 | 3G17 | 1 | 40 - 123 |
| AH89486 | 3C16 | 12 | 40 - 23 | AH90990 | 5C12 | 1 | 70 - 17 | AL67206 | 3G15 | 12 | 40 - 121 |
| AH89486 | 3C18 | 11 | 40 - 25 | AH90990 | 8C4 | 10 | 121 - 11 | AL67208 | 3G15 | 12 | 40 - 121 |
| AH89486 | 3D10 | 18 | 40 - 43 | AH90990 | 8C6 | 21 | 121 - 13 | AL68661 | 3F4 | 14 | 40 - 85 |
| AH89486 | 3D12 | 9 | 40 - 45 | AH93110 | 6F23 | 35 | 110 - 5 | AM103480 | 8G10 | 4 | 125 - 17 |
| AH89486 | 3E4 | 3 | 40 - 61 | AH93318 | 8E16 | 14 | 121 - 71 | AM105171 | 3E8 | 28A | 40 - 65 |
| AH89486 | 3E4 | 15 | 40 - 61 | AH93318 | 8E18 | 12 | 121 - 73 | AM105171 | 3E8 | 28B | 40 - 65 |
| AH89486 | 3E6 | 11 | 40 - 63 | AH93892 | 4I8 | 9 | 60 - 45 | AM108845 | 3C18 | 18 | 40 - 25 |
| AH89486 | 3E12 | 16 | 40 - 69 | AH94450 | 6G3 | 11 | 110 - 10 | AM108923 | 8G10 | 4 | 125 - 17 |
| AH89486 | 3F4 | 2 | 40 - 85 | AH94450 | 6G5 | 11 | 110 - 13 | AM53945 | 3E8 | 28A | 40 - 65 |
| AH89486 | 3F5 | 2 | 40 - 86 | AH94450 | 8D20 | 14 | 121 - 51 | AN102382 | 6G2 | 3 | 110 - 9 |
| AH89486 | 3F14 | 8 | 40 - 95 | AH94450 | 8E12 | 10 | 121 - 67 | AN102383 | 6G2 | 2 | 110 - 9 |
| AH89486 | 4H12 | 11 | 60 - 25 | AH94450 | 9C15 | 5 | 130 - 23 | AN102383 | 6G20 | 6 | 110 - 28 |
| AH89486 | 5C24 | 26 | 70 - 29 | AH94661 | 9D13 | 3 | 130 - 46 | AN113330 | 6F23 | 29 | 110 - 5 |
| AH89486 | 5F8 | 8 | 70 - 91 | AH94853 | 8C20 | 21 | 121 - 27 | AN12151 | 6F23 | 19 | 110 - 5 |
| AH89486 | 5G25 | 7 | 80 - 11 | AH94854 | 6H12 | 8 | 110 - 45 | AN122493 | 4D6 | 28 | 50 - 35 |
| AH89486 | 6E15 | 11 | 90 - 73 | AH94854 | 8D10 | 15 | 121 - 41 | AN122494 | 4D10 | 11 | 50 - 39 |
| AH89486 | 6E19 | 3A | 90 - 77 | AH96091 | 6H12 | 23 | 110 - 45 | AN122497 | 4D13 | 11 | 50 - 42 |
| AH89486 | 6E23 | 11 | 90 - 81 | AH96244 | 8C18 | 19 | 121 - 25 | AN122497 | 4D16 | 11 | 50 - 45 |
| AH89486 | 6G7 | 31 | 110 - 15 | AH96292 | 1C2 | 13 | 20 - 9 | AN122498 | 4D7 | 5 | 50 - 36 |
| AH89486 | 8C4 | 10 | 121 - 11 | AH96292 | 1C2 | 18 | 20 - 9 | AN122498 | 4D8 | 5 | 50 - 37 |
| AH89557 | 2C17 | 12 | 26 - 20 | AH96317 | 2G8 | 10 | 30 - 17 | AN122498 | 4D14 | 5 | 50 - 43 |
| AH89557 | 2F22 | 4 | 30 - 7 | AH96317 | 3C12 | 4 | 40 - 19 | AN122498 | 4D15 | 5 | 50 - 44 |
| AH89557 | 2G12 | 7 | 30 - 21 | AH96317 | 3C14 | 4 | 40 - 21 | AN122499 | 4D10 | 12 | 50 - 39 |
| AH89557 | 3B23 | 4 | 40 - 3 | AH96317 | 3C16 | 12 | 40 - 23 | AN122502 | 4D6 | 22 | 50 - 35 |
| AH89557 | 3C12 | 2 | 40 - 19 | AH96317 | 3C18 | 11 | 40 - 25 | AN122502 | 4D20 | 22 | 50 - 49 |
| AH89557 | 3C14 | 2 | 40 - 21 | AH96317 | 3D8 | 18 | 40 - 41 | AN122506 | 4D6 | 13 | 50 - 35 |

NUMERICAL INDEX - CONTINUED

| PART NO. | GRID | KEY | PAGE | PART NO. | GRID | KEY | PAGE | PART NO. | GRID | KEY | PAGE |
|----------|------|-----|----------|----------|------|-----|----------|----------|------|-----|----------|
| AN122507 | 4D6 | 34 | 50 - 35 | AR48675 | 2D11 | 14 | 26 - 43 | AR73279 | 1D23 | 7 | 25 - 17 |
| AN122507 | 4D12 | 7 | 50 - 41 | AR48751 | 1C10 | 4 | 20 - 17 | AR73279 | 2C10 | 1 | 26 - 13 |
| AN122509 | 4D6 | 35 | 50 - 35 | AR49025 | 1D21 | 1 | 25 - 15 | AR73279 | 2C12 | 7 | 26 - 15 |
| AN122509 | 4D12 | 8 | 50 - 41 | AR49025 | 1E4 | 9 | 25 - 24 | AR73280 | 1D23 | 7 | 25 - 17 |
| AN122518 | 4D6 | 32 | 50 - 35 | AR49025 | 1E5 | 9 | 25 - 25 | AR73280 | 2C12 | 7 | 26 - 15 |
| AN122518 | 4D20 | 32 | 50 - 49 | AR49025 | 2C10 | 1 | 26 - 13 | AR73281 | 1D23 | 7 | 25 - 17 |
| AN122518 | 5E7 | 21 | 70 - 63 | AR49025 | 2C17 | 1 | 26 - 20 | AR73281 | 2C12 | 7 | 26 - 15 |
| AN142665 | 6I6 | 6 | 110 - 61 | AR49352 | 3G11 | 9 | 40 - 117 | AR73627 | 1D23 | 8 | 25 - 17 |
| AN15237 | 8E16 | 10 | 121 - 71 | AR50411 | 2D12 | 1 | 26 - 44 | AR73863 | 1G7 | 13 | 25 - 79 |
| AN15237 | 9C15 | 8 | 130 - 23 | AR51481 | 4H12 | 1 | 60 - 25 | AR74021 | 1E8 | 1 | 25 - 28 |
| AN152995 | 5I10 | 7 | 80 - 45 | AR51481 | 6E15 | 1 | 90 - 73 | AR74814 | 1E1 | 3 | 25 - 20 |
| AN191560 | 2G10 | 4 | 30 - 19 | AR52206 | 1F2 | 3 | 25 - 47 | AR74814 | 2C14 | 3 | 26 - 17 |
| AN192773 | 6D11 | 7 | 90 - 43 | AR52206 | 1F6 | 1 | 25 - 51 | AR74815 | 1E1 | 3 | 25 - 20 |
| AN193084 | 4D10 | 25 | 50 - 39 | AR54749 | 1D9 | 4 | 25 - 2 | AR74815 | 2C14 | 3 | 26 - 17 |
| AN193085 | 4D4 | 19 | 50 - 33 | AR54749 | 2B24 | 4 | 26 - 3 | AR74816 | 1D21 | 1 | 25 - 15 |
| AN193085 | 4D12 | 34 | 50 - 41 | AR54990 | 1H3 | 4 | 25 - 103 | AR74816 | 1E1 | 3 | 25 - 20 |
| AN193085 | 4D18 | 13 | 50 - 47 | AR54992 | 1H3 | 7 | 25 - 103 | AR74816 | 2C10 | 1 | 26 - 13 |
| AN193085 | 4D18 | 19 | 50 - 47 | AR54997 | 1G25 | 4 | 25 - 100 | AR74816 | 2C14 | 3 | 26 - 17 |
| AN193085 | 4D22 | 34 | 50 - 51 | AR55394 | 1F5 | 6 | 25 - 50 | AR74817 | 1E1 | 3 | 25 - 20 |
| AN272356 | 4D13 | 9 | 50 - 42 | AR55946 | 1H4 | 18 | 25 - 104 | AR74817 | 2C14 | 3 | 26 - 17 |
| AN272356 | 4D16 | 9 | 50 - 45 | AR55947 | 1H3 | 17 | 25 - 103 | AR74818 | 1E1 | 3 | 25 - 20 |
| AN274375 | 4D6 | 7 | 50 - 35 | AR56671 | 3F14 | 13 | 40 - 95 | AR74818 | 2C14 | 3 | 26 - 17 |
| AN274375 | 4D20 | 7 | 50 - 49 | AR56766 | 3C10 | 32 | 40 - 15 | AR75693 | 4H10 | 17 | 60 - 23 |
| AN31004 | 6F23 | 37 | 110 - 5 | AR58952 | 1F5 | 7 | 25 - 50 | AR77114 | 1F17 | 8 | 25 - 63 |
| AN71222 | 7F8 | 7 | 120 - 85 | AR58952 | 1G19 | 39 | 25 - 93 | AR77114 | 1G9 | 8 | 25 - 81 |
| AP23601 | 8F23 | 39 | 125 - 5 | AR60499 | 8C8 | 21 | 121 - 15 | AR77747 | 1E1 | 1 | 25 - 20 |
| AR100124 | 1E12 | 1 | 25 - 32 | AR60499 | 8C20 | 47 | 121 - 27 | AR77747 | 2C14 | 1 | 26 - 17 |
| AR100124 | 2C23 | 1 | 26 - 27 | AR61533 | 1D11 | 28 | 25 - 5 | AR77748 | 1E1 | 2 | 25 - 20 |
| AR101278 | 1E23 | 2 | 25 - 43 | AR61533 | 1D13 | 29 | 25 - 7 | AR77748 | 2C14 | 2 | 26 - 17 |
| AR104516 | 3D6 | 11 | 40 - 39 | AR61533 | 2C2 | 25 | 26 - 5 | AR77749 | 1E1 | 2 | 25 - 20 |
| AR104520 | 3D6 | 12 | 40 - 39 | AR61589 | 1D11 | 26 | 25 - 5 | AR77749 | 2C14 | 2 | 26 - 17 |
| AR104650 | 1F19 | 31 | 25 - 65 | AR61589 | 1D13 | 27 | 25 - 7 | AR77750 | 1D21 | 1 | 25 - 15 |
| AR104650 | 1F23 | 31 | 25 - 69 | AR61589 | 2C2 | 23 | 26 - 5 | AR77750 | 1E1 | 2 | 25 - 20 |
| AR104650 | 2D22 | 22 | 26 - 55 | AR62399 | 1C12 | 7 | 20 - 19 | AR77750 | 2C10 | 1 | 26 - 13 |
| AR104650 | 2D22 | 31 | 26 - 55 | AR62399 | 2D12 | 2 | 26 - 44 | AR77750 | 2C14 | 2 | 26 - 17 |
| AR104650 | 2D24 | 22 | 26 - 57 | AR62399 | 2D12 | 3 | 26 - 44 | AR77751 | 1E1 | 2 | 25 - 20 |
| AR104650 | 2D24 | 31 | 26 - 57 | AR62399 | 2D12 | 5 | 26 - 44 | AR77751 | 2C14 | 2 | 26 - 17 |
| AR105510 | 1E23 | 7 | 25 - 43 | AR62407 | 3C4 | 1 | 40 - 9 | AR77752 | 1E1 | 2 | 25 - 20 |
| AR150551 | 4H10 | 17 | 60 - 23 | AR62492 | 2D12 | 8 | 26 - 44 | AR77752 | 2C14 | 2 | 26 - 17 |
| AR21837 | 2F18 | 5 | 30 - 3 | AR65005 | 3F25 | 1 | 40 - 106 | AR77753 | 1D21 | 1 | 25 - 15 |
| AR21837 | 2F22 | 5 | 30 - 7 | AR65006 | 3F25 | 2 | 40 - 106 | AR77753 | 1E1 | 1 | 25 - 20 |
| AR21837 | 6F13 | 3 | 90 - 97 | AR65293 | 2G4 | 23 | 30 - 13 | AR77753 | 2C10 | 1 | 26 - 13 |
| AR21837 | 8D18 | 10 | 121 - 49 | AR65293 | 2G6 | 24 | 30 - 15 | AR77753 | 2C14 | 1 | 26 - 17 |
| AR21839 | 1F13 | 10 | 25 - 59 | AR66778 | 1H3 | 19 | 25 - 103 | AR79548 | 3D4 | 1 | 40 - 37 |
| AR21839 | 2D16 | 7 | 26 - 49 | AR67827 | 1H3 | 9 | 25 - 103 | AR79549 | 3D4 | 17 | 40 - 37 |
| AR21839 | 2G8 | 6 | 30 - 17 | AR68430 | 1H3 | 14 | 25 - 103 | AR79550 | 3D4 | 11 | 40 - 37 |
| AR21842 | 6E23 | 20 | 90 - 81 | AR70106 | 2G4 | 10 | 30 - 13 | AR81825 | 1G8 | 1 | 25 - 80 |
| AR21969 | 1D9 | .. | 25 - 2 | AR70106 | 2G4 | 17 | 30 - 13 | AR81825 | 2E17 | 1 | 26 - 70 |
| AR21969 | 2B24 | .. | 26 - 3 | AR70106 | 2G6 | 16 | 30 - 15 | AR84006 | 3F24 | 40 | 40 - 105 |
| AR21999 | 2G10 | 1 | 30 - 19 | AR70107 | 2G4 | 10 | 30 - 13 | AR85519 | 1F19 | 21 | 25 - 65 |
| AR21999 | 2G10 | 13 | 30 - 19 | AR70107 | 2G6 | 19 | 30 - 15 | AR85519 | 1F21 | 21 | 25 - 67 |
| AR21999 | 6E19 | 27 | 90 - 77 | AR71107 | 6D11 | 1 | 90 - 43 | AR85519 | 1F23 | 21 | 25 - 69 |
| AR21999 | 6F13 | 27 | 90 - 97 | AR71108 | 6D11 | 18 | 90 - 43 | AR85519 | 1F25 | 21 | 25 - 71 |
| AR28403 | 3C6 | 11 | 40 - 11 | AR71109 | 6D11 | 19 | 90 - 43 | AR85519 | 2D22 | 20 | 26 - 55 |
| AR31790 | 1E12 | .. | 25 - 32 | AR71850 | 1D11 | 14 | 25 - 5 | AR85519 | 2D22 | 33 | 26 - 55 |
| AR31790 | 2C23 | .. | 26 - 27 | AR71850 | 1D13 | 14 | 25 - 7 | AR85519 | 2D24 | 20 | 26 - 57 |
| AR40418 | 2D8 | 20 | 26 - 39 | AR71850 | 1E8 | 2 | 25 - 28 | AR85519 | 2D24 | 33 | 26 - 57 |
| AR41785 | 1D9 | .. | 25 - 2 | AR73144 | 3F8 | 16 | 40 - 89 | AR86539 | 4E2 | 3 | 50 - 55 |
| AR41785 | 2B24 | .. | 26 - 3 | AR73144 | 3F10 | 16 | 40 - 91 | AR86539 | 4E9 | 3 | 50 - 63 |
| AR42591 | 3E14 | 12 | 40 - 71 | AR73144 | 3F12 | 16 | 40 - 93 | AR86603 | 2G8 | 1 | 30 - 17 |
| AR44402 | 1D9 | 1 | 25 - 2 | AR73234 | 2G4 | 19 | 30 - 13 | AR87663 | 1G8 | 10 | 25 - 80 |
| AR44402 | 2B24 | 1 | 26 - 3 | AR73234 | 2G6 | 15 | 30 - 15 | AR88903 | 1G2 | 17 | 25 - 73 |
| AR48236 | 2F22 | 1 | 30 - 7 | AR73277 | 1D23 | 7 | 25 - 17 | AR88903 | 1G2 | 20 | 25 - 73 |
| AR48236 | 2G12 | 2 | 30 - 21 | AR73277 | 2C12 | 7 | 26 - 15 | AR88903 | 2E2 | 19 | 26 - 59 |
| AR48236 | 5C14 | 12 | 70 - 19 | AR73278 | 1D23 | 7 | 25 - 17 | AR88903 | 2E4 | 19 | 26 - 61 |
| AR48675 | 1F7 | 14 | 25 - 52 | AR73278 | 2C12 | 7 | 26 - 15 | AR88903 | 2E6 | 19 | 26 - 61B |
| AR48675 | 1F8 | 13 | 25 - 53 | AR73279 | 1D21 | 1 | 25 - 15 | AR88903 | 2E10 | 19 | 26 - 65 |

NUMERICAL INDEX - CONTINUED

| PART NO. | GRID | KEY | PAGE | PART NO. | GRID | KEY | PAGE | PART NO. | GRID | KEY | PAGE |
|----------|------|-----|----------|----------|------|-----|----------|----------|------|-----|----------|
| AR88903 | 2E12 | 19 | 26 - 65B | AT18904 | 3G25 | 5 | 40 - 131 | AZ10045 | 9B20 | 9 | 130 - 3 |
| AR90070 | 1H4 | 21 | 25 - 104 | AT207952 | 3E20 | 13 | 40 - 77 | AZ10045 | 9C4 | 2 | 130 - 11 |
| AR90369 | 8D16 | 20 | 121 - 47 | AT22070 | 6C18 | 1 | 90 - 25 | AZ12018 | 3F4 | 15 | 40 - 85 |
| AR90369 | 8D16 | 30 | 121 - 47 | AT22073 | 6C18 | 3 | 90 - 25 | AZ19427 | 6I8 | 15 | 110 - 63 |
| AR90369 | 8D18 | 8 | 121 - 49 | AT25226 | 4C3 | 5 | 50 - 8 | AZ19427 | 7F10 | 5 | 120 - 87 |
| AR90861 | 8D16 | 19 | 121 - 47 | AT25226 | 4I14 | 9 | 60 - 51 | AZ19455 | 5C22 | 9 | 70 - 27 |
| AR91168 | 3G23 | 1 | 40 - 129 | AT25226 | 4I15 | 7 | 60 - 52 | AZ19456 | 5C22 | 8 | 70 - 27 |
| AR91793 | 3F22 | 42 | 40 - 103 | AT25266 | 1F10 | 11 | 25 - 55 | AZ20216 | 8E14 | 15 | 121 - 69 |
| AR93173 | 1E12 | 4 | 25 - 32 | AT26407 | 3C10 | 34 | 40 - 15 | AZ23847 | 3G13 | 1 | 40 - 119 |
| AR93173 | 2C23 | 4 | 26 - 27 | AT27126 | 3E18 | 12 | 40 - 75 | AZ31008 | 6C24 | 4 | 90 - 31 |
| AR93341 | 1D23 | 6 | 25 - 17 | AT27127 | 3E18 | 15 | 40 - 75 | AZ32393 | 6F17 | 5 | 90 - 101 |
| AR93341 | 2C12 | 6 | 26 - 15 | AT28975 | 8B21 | 16 | 121 - 3 | AZ32732 | 6F17 | 10 | 90 - 101 |
| AR93518 | 1F2 | 13 | 25 - 47 | AT32335 | 1G2 | 22 | 25 - 73 | AZ35028 | 3G21 | 7 | 40 - 127 |
| AR93518 | 1F4 | 6 | 25 - 49 | AT32335 | 1G4 | 16 | 25 - 75 | AZ36343 | 3B25 | 27 | 40 - 5 |
| AR94522 | 5C16 | 6 | 70 - 21 | AT32335 | 1G6 | 14 | 25 - 77 | AZ39154 | 6F17 | 8 | 90 - 101 |
| AR94522 | 5C20 | 32 | 70 - 25 | AT32335 | 2E8 | 22 | 26 - 63 | AZ42315 | 6C20 | 2 | 90 - 27 |
| AR94522 | 5C22 | 15 | 70 - 27 | AT36212 | 4C4 | 10 | 50 - 9 | AZ42315 | 6C22 | 4 | 90 - 29 |
| AR94522 | 8H8 | 13 | 125 - 39 | AT37368 | 3E6 | 9 | 40 - 63 | AZ42315 | 6C24 | 4 | 90 - 31 |
| AR94522 | 8H10 | 16 | 125 - 41 | AT37476 | 1C6 | 13 | 20 - 13 | AZ44705 | 3G13 | 1 | 40 - 119 |
| AR94761 | 4C20 | 6 | 50 - 25 | AT37476 | 1C16 | 5 | 20 - 23 | AZ47075 | 5E11 | 13 | 70 - 67 |
| AR95426 | 1E3 | 4 | 25 - 22 | AT37478 | 1F10 | 5 | 25 - 55 | AZ47075 | 5E11 | 24 | 70 - 67 |
| AR95426 | 2C16 | 4 | 26 - 19 | AT37693 | 1F10 | 1 | 25 - 55 | AZ47075 | 5E12 | 22 | 70 - 68 |
| AR95758 | 2G6 | 16 | 30 - 15 | AT39043 | 3D8 | 1 | 40 - 41 | AZ47075 | 5E14 | 24 | 70 - 71 |
| AR95758 | 2G6 | 19 | 30 - 15 | AT39141 | 1C6 | 1 | 20 - 13 | AZ47075 | 5E16 | 22 | 70 - 73 |
| AR95759 | 2G6 | 19 | 30 - 15 | AT39623 | 2F24 | 12 | 30 - 9 | AZ47075 | 5E18 | 10 | 70 - 75 |
| AR96189 | 1D25 | 5 | 25 - 19 | AT39623 | 3E6 | 20 | 40 - 63 | AZ47075 | 5E20 | 10 | 70 - 77 |
| AR96190 | 1E15 | 12 | 25 - 35 | AT40603 | 4C24 | 1 | 50 - 29 | AZ47075 | 5E20 | 29 | 70 - 77 |
| AR96190 | 1E17 | 12 | 25 - 37 | AT43600 | 3G15 | 12 | 40 - 121 | AZ47075 | 5E23 | 10A | 70 - 81 |
| AR96190 | 1E19 | 9 | 25 - 39 | AT43601 | 3G15 | 12 | 40 - 121 | AZ47075 | 5E23 | 10B | 70 - 81 |
| AR98329 | 1E23 | 1 | 25 - 43 | AT43601 | 3G15 | .. | 40 - 121 | AZ47075 | 5E23 | 10C | 70 - 81 |
| AR98329 | 1E23 | 2 | 25 - 43 | AT47901 | 8C10 | 16 | 121 - 17 | AZ47247 | 3C6 | 20 | 40 - 11 |
| AR98329 | 1E23 | 3 | 25 - 43 | AT48334 | 8C2 | 20 | 121 - 9 | AZ47908 | 3B25 | 26 | 40 - 5 |
| AR98650 | 4E17 | 8 | 50 - 71 | AT48334 | 8C4 | 18 | 121 - 11 | AZ47908 | 6C22 | .. | 90 - 29 |
| AR98850 | 1D23 | 9 | 25 - 17 | AT53439 | 2G6 | 2 | 30 - 15 | AZ47909 | 6C20 | 2 | 90 - 27 |
| AR98850 | 1G19 | 42 | 25 - 93 | AT57288 | 2F24 | 11 | 30 - 9 | AZ47909 | 6C22 | 4 | 90 - 29 |
| AR98850 | 2C12 | 9 | 26 - 15 | AT63170 | 6E23 | 17 | 90 - 81 | AZ47909 | 6C24 | 4 | 90 - 31 |
| AR99341 | 1E15 | 12 | 25 - 35 | AT63272 | 4D6 | 42 | 50 - 35 | AZ49140 | 6C20 | 2 | 90 - 27 |
| AR99341 | 1E17 | 12 | 25 - 37 | AT63272 | 4D20 | 42 | 50 - 49 | AZ49140 | 6C22 | 4 | 90 - 29 |
| AR99341 | 1E19 | 9 | 25 - 39 | AT66481 | 3D2 | 7 | 40 - 35 | AZ49140 | 6C24 | 4 | 90 - 31 |
| AT103553 | 2G8 | 4 | 30 - 17 | AT66865 | 1D9 | 4 | 25 - 2 | AZ49144 | 5D22 | 2 | 70 - 52 |
| AT104021 | 2G12 | 9 | 30 - 21 | AT66865 | 2B24 | 4 | 26 - 3 | AZ51851 | 5E7 | 36 | 70 - 63 |
| AT104113 | 2G6 | 8 | 30 - 15 | AT73296 | 1C12 | 1 | 20 - 19 | AZ51851 | 5E11 | .. | 70 - 67 |
| AT106413 | 2G12 | 4 | 30 - 21 | AT74407 | 2G8 | 1 | 30 - 17 | AZ51851 | 5E12 | 24 | 70 - 68 |
| AT107509 | 1E11 | 14 | 25 - 31 | AT74407 | 2G8 | 2 | 30 - 17 | AZ51851 | 5E14 | .. | 70 - 71 |
| AT107509 | 2C21 | 11 | 26 - 25 | AT75941 | 4H8 | 31 | 60 - 21 | AZ51851 | 5E16 | .. | 70 - 73 |
| AT112176 | 2G6 | 6 | 30 - 15 | AT81268 | 2F20 | 13 | 30 - 5 | AZ52625 | 6F17 | 11 | 90 - 101 |
| AT125596 | 6E23 | 17 | 90 - 81 | AT81476 | 2F20 | 12 | 30 - 5 | A1402R | 8C2 | 18 | 121 - 9 |
| AT130104 | 3H2 | 1 | 40 - 133 | AT81477 | 2F20 | 10 | 30 - 5 | A15146 | 6G7 | 8 | 110 - 15 |
| AT131716 | 2G6 | 8 | 30 - 15 | AT81478 | 2F20 | 11 | 30 - 5 | A15147 | 5H22 | 22 | 80 - 33 |
| AT135485 | 3C6 | 13 | 40 - 11 | AT85197 | 5G10 | 10 | 70 - 117 | A15147 | 6G15 | 6 | 110 - 23 |
| AT135485 | 3C6 | 17 | 40 - 11 | AU40993 | 4E12 | 2 | 50 - 66 | A15147 | 7F12 | 2C | 120 - 89 |
| AT13740 | 1D11 | 1 | 25 - 5 | AU40993 | 4E13 | 2 | 50 - 67 | A15147 | 7F13 | 1 | 120 - 90 |
| AT13740 | 1D13 | 1 | 25 - 7 | AU43853 | 3D2 | 4 | 40 - 35 | A15147 | 9C25 | 6 | 130 - 33 |
| AT13740 | 2C2 | 1 | 26 - 5 | AU43857 | 3D2 | 3 | 40 - 35 | A15898 | 5C20 | 36 | 70 - 25 |
| AT13740 | 2D8 | 13 | 26 - 39 | AU43857 | 3D2 | 9 | 40 - 35 | A15898 | 5C22 | 18 | 70 - 27 |
| AT13740 | 2D11 | 5 | 26 - 43 | AW12765 | 4H5 | 1 | 60 - 18 | A15898 | 8H8 | 12 | 125 - 39 |
| AT13740 | 2F18 | 14 | 30 - 3 | AZ10044 | 1B18 | 6 | 20 - 1 | A22724 | 9D21 | 9 | 130 - 53 |
| AT13740 | 2F22 | 23 | 30 - 7 | AZ10044 | 1B20 | 36 | 20 - 3 | A24915 | 1C14 | 5 | 20 - 21 |
| AT13740 | 2G10 | 6 | 30 - 19 | AZ10044 | 7D20 | 5 | 120 - 51 | A25695 | 6G5 | 16 | 110 - 13 |
| AT141987 | 3D2 | 8 | 40 - 35 | AZ10044 | 8I7 | 4 | 125 - 63 | A27238 | 1C14 | 3 | 20 - 21 |
| AT146272 | 8C10 | 9 | 121 - 17 | AZ10044 | 8I7 | 12 | 125 - 63 | A2913R | 1C16 | 3 | 20 - 23 |
| AT162597 | 2G12 | 9 | 30 - 21 | AZ10044 | 8I7 | 22 | 125 - 63 | A2913R | 9E24 | 2 | 170 - 9 |
| AT162848 | 6E23 | 17 | 90 - 81 | AZ10044 | 8I9 | 4 | 125 - 65 | A2913R | 9G16 | 5 | 170 - 50 |
| AT16887 | 8C10 | 1 | 121 - 17 | AZ10044 | 8I9 | 12 | 125 - 65 | A31867 | 5H12 | 28 | 80 - 23 |
| AT18904 | 1C14 | 2 | 20 - 21 | AZ10044 | 9B20 | 3 | 130 - 3 | A31867 | 6G5 | 10 | 110 - 13 |
| AT18904 | 2F18 | 5 | 30 - 3 | AZ10045 | 8H18 | 3 | 125 - 49 | A31867 | 7C18 | 32 | 120 - 25 |
| AT18904 | 2F22 | 5 | 30 - 7 | AZ10045 | 8I5 | 13 | 125 - 61 | A31869 | 9E2 | 7 | 130 - 59 |

1K6

9600 MAXIMIZER COMBINE

NUMERICAL INDEX - CONTINUED

| PART NO. | GRID | KEY | PAGE | PART NO. | GRID | KEY | PAGE | PART NO. | GRID | KEY | PAGE |
|----------|------|-----|-----------|----------|------|-----|----------|----------|------|-----|----------|
| A31870 | 6H10 | 3 | 110 - 43 | BH78464 | 3E14 | .. | 40 - 71 | BH80122 | 8F21 | .. | 125 - 3 |
| A31870 | 8H18 | 23 | 125 - 49 | BH78486 | 7C18 | .. | 120 - 25 | BH80122 | 8G4 | .. | 125 - 11 |
| A31871 | 6H10 | 3 | 110 - 43 | BH78495 | 7C18 | .. | 120 - 25 | BH80122 | 8G6 | .. | 125 - 13 |
| A31871 | 9E2 | 15 | 130 - 59 | BH78574 | 7E6 | .. | 120 - 61 | BH80130 | 7D20 | .. | 120 - 51 |
| A3581R | 9C15 | 18 | 130 - 23 | BH78623 | 8D24 | .. | 121 - 55 | BH80130 | 7D22 | .. | 120 - 53 |
| A37576 | 7E14 | 3 | 120 - 67B | BH78885 | 6G2 | .. | 110 - 9 | BH80145 | 8F8 | .. | 121 - 87 |
| A3917R | 4D10 | 24 | 50 - 39 | BH78887 | 3C10 | .. | 40 - 15 | BH80146 | 8F8 | .. | 121 - 87 |
| A3917R | 4G14 | 3 | 60 - 3 | BH79019 | 5C8 | .. | 70 - 13 | BH80147 | 8F8 | .. | 121 - 87 |
| A4365R | 1D11 | 25 | 25 - 5 | BH79118 | 3E6 | .. | 40 - 63 | BH80148 | 8F8 | .. | 121 - 87 |
| A4365R | 1D13 | 26 | 25 - 7 | BH79118 | 3E8 | .. | 40 - 65 | BH80155 | 8E16 | .. | 121 - 71 |
| A4365R | 2C2 | 22 | 26 - 5 | BH79239 | 8C24 | .. | 121 - 31 | BH80155 | 8E20 | .. | 121 - 75 |
| A44990 | 6G11 | 36 | 110 - 19 | BH79485 | 3C10 | .. | 40 - 15 | BH80155 | 8E24 | .. | 121 - 79 |
| A44990 | 8H22 | 34 | 125 - 53 | BH79485 | 3F16 | .. | 40 - 97 | BH80155 | 8F21 | .. | 125 - 3 |
| A4655R | 5E3 | 1 | 70 - 58 | BH79486 | 8E20 | .. | 121 - 75 | BH80155 | 8F25 | .. | 125 - 7 |
| A4655R | 5E7 | 1 | 70 - 63 | BH79513 | 5H22 | .. | 80 - 33 | BH80155 | 8G4 | .. | 125 - 11 |
| A4655R | 5E9 | 1 | 70 - 65 | BH79539 | 3G25 | .. | 40 - 131 | BH80155 | 8G6 | .. | 125 - 13 |
| A4655R | 5E11 | 1 | 70 - 67 | BH79543 | 6G13 | .. | 110 - 21 | BH80229 | 7C14 | .. | 120 - 21 |
| A4655R | 5E12 | 1 | 70 - 68 | BH79654 | 7C10 | .. | 120 - 17 | BH80261 | 8G12 | .. | 125 - 19 |
| A4655R | 5E14 | 1 | 70 - 71 | BH79654 | 7C12 | .. | 120 - 19 | BH80261 | 8G14 | .. | 125 - 21 |
| A4655R | 5E16 | 1 | 70 - 73 | BH79685 | 7D24 | .. | 120 - 55 | BH80261 | 8G16 | .. | 125 - 23 |
| A4655R | 5E18 | 21 | 70 - 75 | BH79685 | 7E2 | .. | 120 - 57 | BH80261 | 8G18 | .. | 125 - 25 |
| A4655R | 5E20 | 21 | 70 - 77 | BH79693 | 7E2 | .. | 120 - 57 | BH80261 | 8G20 | .. | 125 - 27 |
| A4655R | 5E23 | 21 | 70 - 81 | BH79705 | 8F8 | .. | 121 - 87 | BH80261 | 8G22 | .. | 125 - 29 |
| A4730R | 8C6 | 20 | 121 - 13 | BH79711 | 3C6 | .. | 40 - 11 | BH80261 | 8G24 | .. | 125 - 31 |
| A4741R | 6E12 | 3 | 90 - 69 | BH79815 | 8G22 | .. | 125 - 29 | BH80261 | 8H2 | .. | 125 - 33 |
| A4925R | 2D5 | 4 | 26 - 35 | BH79821 | 5I12 | .. | 80 - 47 | BH80261 | 8H4 | .. | 125 - 35 |
| A4925R | 2D16 | 6 | 26 - 49 | BH79829 | 4G2 | .. | 50 - 106 | BH80261 | 8H6 | .. | 125 - 37 |
| A50743 | 3H4 | 7 | 40 - 135 | BH79830 | 4G2 | .. | 50 - 106 | BH80261 | 8H8 | .. | 125 - 39 |
| A50743 | 6I4 | 4 | 110 - 59 | BH79899 | 6G19 | .. | 110 - 27 | BH80262 | 8G14 | .. | 125 - 21 |
| A50744 | 1B18 | 14 | 20 - 1 | BH79899 | 6G20 | .. | 110 - 28 | BH80262 | 8G16 | .. | 125 - 23 |
| A50744 | 1B20 | 27 | 20 - 3 | BH79902 | 3F16 | .. | 40 - 97 | BH80262 | 8G18 | .. | 125 - 25 |
| A50744 | 1C4 | 8 | 20 - 11 | BH79903 | 4E12 | .. | 50 - 66 | BH80262 | 8G20 | .. | 125 - 27 |
| A50744 | 4I4 | 8 | 60 - 41 | BH79903 | 4E13 | .. | 50 - 67 | BH80262 | 8G22 | .. | 125 - 29 |
| A51212 | 7C12 | .. | 120 - 19 | BH79904 | 4F20 | .. | 50 - 99 | BH80262 | 8G24 | .. | 125 - 31 |
| A51212 | 8F10 | 8 | 121 - 89 | BH79964 | 4F2 | .. | 50 - 81 | BH80262 | 8H2 | .. | 125 - 33 |
| A51212 | 8F12 | 8 | 121 - 91 | BH79964 | 4F12 | .. | 50 - 91 | BH80262 | 8H4 | .. | 125 - 35 |
| A51212 | 8F21 | 3 | 125 - 3 | BH79970 | 3F16 | .. | 40 - 97 | BH80262 | 8H6 | .. | 125 - 37 |
| BH142781 | 7B21 | .. | 120 - 3 | BH80002 | 4E3 | .. | 50 - 56 | BH80262 | 8H8 | .. | 125 - 39 |
| BH71709 | 8H22 | .. | 125 - 53 | BH80002 | 4E12 | .. | 50 - 66 | BH80267 | 5B22 | .. | 70 - 3 |
| BH71709 | 9B20 | .. | 130 - 3 | BH80002 | 4E13 | .. | 50 - 67 | BH80267 | 5D15 | .. | 70 - 45 |
| BH71709 | 9B22 | .. | 130 - 5 | BH80002 | 4F24 | .. | 50 - 103 | BH80338 | 9C8 | .. | 130 - 15 |
| BH71726 | 4I14 | .. | 60 - 51 | BH80002 | 4I12 | .. | 60 - 49 | BH80338 | 9C11 | .. | 130 - 18 |
| BH71727 | 4I14 | .. | 60 - 51 | BH80003 | 4E3 | .. | 50 - 56 | BH80408 | 4C5 | .. | 50 - 10 |
| BH71728 | 4I14 | .. | 60 - 51 | BH80003 | 4E12 | .. | 50 - 66 | BH80537 | 5E21 | .. | 70 - 78 |
| BH71735 | 4I14 | .. | 60 - 51 | BH80003 | 4E13 | .. | 50 - 67 | BH80537 | 6I2 | .. | 110 - 57 |
| BH71746 | 4E3 | .. | 50 - 56 | BH80003 | 4F25 | .. | 50 - 104 | BH80537 | 8I11 | .. | 125 - 67 |
| BH71746 | 4E12 | .. | 50 - 66 | BH80005 | 8G8 | .. | 125 - 15 | BH80537 | 8I13 | .. | 125 - 69 |
| BH71746 | 4E13 | .. | 50 - 67 | BH80005 | 8G10 | .. | 125 - 17 | BH80677 | 3G25 | .. | 40 - 131 |
| BH71746 | 4F20 | .. | 50 - 99 | BH80005 | 8H14 | .. | 125 - 45 | BH80678 | 3G25 | .. | 40 - 131 |
| BH71746 | 4F24 | .. | 50 - 103 | BH80005 | 8H16 | .. | 125 - 47 | BH80924 | 4I14 | .. | 60 - 51 |
| BH71746 | 4I12 | .. | 60 - 49 | BH80021 | 7C10 | .. | 120 - 17 | BH80925 | 4I14 | .. | 60 - 51 |
| BH71876 | 7C10 | .. | 120 - 17 | BH80021 | 7C12 | .. | 120 - 19 | BH81006 | 7D18 | .. | 120 - 49 |
| BH71876 | 7C12 | .. | 120 - 19 | BH80021 | 7C16 | .. | 120 - 23 | BH81039 | 8F21 | .. | 125 - 3 |
| BH71876 | 7C22 | .. | 120 - 29 | BH80021 | 7C18 | .. | 120 - 25 | BH81052 | 6C18 | .. | 90 - 25 |
| BH71876 | 7D4 | .. | 120 - 35 | BH80037 | 5H22 | .. | 80 - 33 | BH81076 | 6D20 | 3 | 90 - 53 |
| BH71883 | 4E3 | .. | 50 - 56 | BH80037 | 5I12 | .. | 80 - 47 | BH81076 | 6D20 | .. | 90 - 53 |
| BH71883 | 4E12 | .. | 50 - 66 | BH80065 | 8G4 | .. | 125 - 11 | BH81084 | 9E12 | .. | 160 - 3 |
| BH71883 | 4E13 | .. | 50 - 67 | BH80065 | 8G6 | .. | 125 - 13 | BH81159 | 6D12 | .. | 90 - 44 |
| BH71883 | 4F24 | .. | 50 - 103 | BH80067 | 9B20 | .. | 130 - 3 | BH81159 | 6D14 | .. | 90 - 46 |
| BH71886 | 3E2 | .. | 40 - 59 | BH80075 | 8G4 | .. | 125 - 11 | BH81161 | 7C10 | .. | 120 - 17 |
| BH71948 | 3C25 | .. | 40 - 33 | BH80075 | 8G6 | .. | 125 - 13 | BH81161 | 7C12 | .. | 120 - 19 |
| BH78337 | 3F7 | .. | 40 - 88 | BH80122 | 8E16 | .. | 121 - 71 | BH81191 | 8E2 | .. | 121 - 57 |
| BH78343 | 6D9 | .. | 90 - 41 | BH80122 | 8E20 | .. | 121 - 75 | BH81255 | 3G9 | .. | 40 - 115 |
| BH78346 | 9D24 | .. | 130 - 56 | BH80122 | 8F2 | .. | 121 - 81 | BH81255 | 3G11 | .. | 40 - 117 |
| BH78370 | 3D4 | .. | 40 - 37 | BH80122 | 8F6 | .. | 121 - 85 | BH81268 | 6G2 | .. | 110 - 9 |
| BH78374 | 5D11 | .. | 70 - 41 | BH80122 | 8F8 | .. | 121 - 87 | BH81268 | 6G20 | .. | 110 - 28 |
| BH78374 | 9E11 | .. | 160 - 2 | BH80122 | 8F16 | .. | 121 - 95 | BH81311 | 5C10 | .. | 70 - 15 |

NUMERICAL INDEX - CONTINUED

| PART NO. | GRID | KEY | PAGE | PART NO. | GRID | KEY | PAGE | PART NO. | GRID | KEY | PAGE |
|----------|------|-----|----------|----------|------|-----|----------|----------|------|-----|----------|
| BH81311 | 5C14 | .. | 70 - 19 | C10263 | 9B24 | 10 | 130 - 7 | E62089 | 5E12 | 6 | 70 - 68 |
| BH81333 | 7C18 | .. | 120 - 25 | C16054 | 5D13 | 15 | 70 - 43 | E62089 | 5E14 | 6 | 70 - 71 |
| BH81333 | 7C20 | .. | 120 - 27 | C16054 | 5D15 | 18A | 70 - 45 | E62089 | 5E16 | 6 | 70 - 73 |
| BH81356 | 7D8 | .. | 120 - 39 | C16071 | 4I5 | .. | 60 - 42 | E62092 | 5E11 | 17 | 70 - 67 |
| BH81363 | 8G2 | .. | 125 - 9 | C3203E | 5H12 | 12 | 80 - 23 | E62092 | 5E14 | 17 | 70 - 71 |
| BH81381 | 7C20 | .. | 120 - 27 | C3936E | 4C24 | 2 | 50 - 29 | E62093 | 5E11 | 15 | 70 - 67 |
| BH81384 | 5C20 | .. | 70 - 25 | DE18970 | 9D13 | 3 | 130 - 46 | E62093 | 5E14 | 15 | 70 - 71 |
| BH81391 | 6G3 | .. | 110 - 10 | DE19111 | 9C13 | 14 | 130 - 21 | E62094 | 5E11 | 14 | 70 - 67 |
| BH81391 | 6G7 | .. | 110 - 15 | DE19111 | 9C13 | 20 | 130 - 21 | E62094 | 5E12 | 14 | 70 - 68 |
| BH81391 | 6G11 | .. | 110 - 19 | DE19111 | 9C13 | 24 | 130 - 21 | E62094 | 5E14 | 14 | 70 - 71 |
| BH81391 | 6H12 | .. | 110 - 45 | DE19111 | 9C13 | 25 | 130 - 21 | E62094 | 5E16 | 14 | 70 - 73 |
| BH81391 | 6H16 | .. | 110 - 49 | DS0251 | 1D9 | .. | 25 - 2 | E62892 | 5E18 | 6 | 70 - 75 |
| BH81391 | 6I4 | .. | 110 - 59 | DS0251 | 2B24 | .. | 26 - 3 | E62892 | 5E20 | 6 | 70 - 77 |
| BH81391 | 6I6 | .. | 110 - 61 | DS0557 | 1D9 | .. | 25 - 2 | E62917 | 5E9 | 22 | 70 - 65 |
| BH81391 | 6I8 | .. | 110 - 63 | DS0557 | 2B24 | .. | 26 - 3 | E62917 | 5E9 | 23 | 70 - 65 |
| BH81420 | 3H5 | .. | 40 - 136 | E10018 | 5G18 | 2 | 80 - 4 | E62917 | 5E18 | 11 | 70 - 75 |
| BH81430 | 5I18 | .. | 80 - 53 | E10018 | 7D16 | 19 | 120 - 47 | E62917 | 5E18 | 26 | 70 - 75 |
| BH81447 | 6G3 | .. | 110 - 10 | E10018 | 8D22 | 42 | 121 - 53 | E62917 | 5E20 | 11 | 70 - 77 |
| BH81447 | 6G7 | .. | 110 - 15 | E10018 | 8H18 | 4 | 125 - 49 | E62917 | 5E20 | 26 | 70 - 77 |
| BH81447 | 6G11 | .. | 110 - 19 | E10018 | 8H23 | 5 | 125 - 54 | E62917 | 5E23 | 11 | 70 - 81 |
| BH81447 | 6H12 | .. | 110 - 45 | E10018 | 8I5 | 14 | 125 - 61 | E62917 | 5E23 | 26 | 70 - 81 |
| BH81447 | 6H16 | .. | 110 - 49 | E10018 | 9B20 | 10A | 130 - 3 | E62942 | 5E3 | 2 | 70 - 58 |
| BH81447 | 6I4 | .. | 110 - 59 | E10018 | 9C4 | 3 | 130 - 11 | E62942 | 5E7 | 2 | 70 - 63 |
| BH81447 | 6I6 | .. | 110 - 61 | E12305 | 8D2 | 22 | 121 - 33 | E62942 | 5E9 | 2 | 70 - 65 |
| BH81447 | 6I8 | .. | 110 - 63 | E12379 | 7D10 | 22 | 120 - 41 | E62942 | 5E11 | 2 | 70 - 67 |
| BH81453 | 3C3 | .. | 40 - 8 | E12379 | 7F6 | 13 | 120 - 83 | E62942 | 5E12 | 2 | 70 - 68 |
| BH81453 | 3F6 | .. | 40 - 87 | E12379 | 7F8 | 11 | 120 - 85 | E62942 | 5E14 | 2 | 70 - 71 |
| BH81453 | 3F7 | .. | 40 - 88 | E12379 | 8I15 | 4 | 125 - 71 | E62942 | 5E16 | 2 | 70 - 73 |
| BH81483 | 6H16 | .. | 110 - 49 | E12379 | 8I17 | 6 | 125 - 73 | E62942 | 5E18 | 19 | 70 - 75 |
| BH81703 | 4C8 | .. | 50 - 13 | E12379 | 9E7 | 1 | 130 - 65 | E62942 | 5E20 | 19 | 70 - 77 |
| BH81704 | 4C8 | .. | 50 - 13 | E12379 | 9E9 | 1 | 130 - 67 | E62942 | 5E23 | 19 | 70 - 81 |
| BH81705 | 4C8 | .. | 50 - 13 | E1343FN | 1D21 | 1 | 25 - 15 | E62951 | 6G2 | 6 | 110 - 9 |
| BH81792 | 4I14 | .. | 60 - 51 | E1343FN | 1D23 | 1 | 25 - 17 | E62951 | 6G20 | 4 | 110 - 28 |
| BH81793 | 4I14 | .. | 60 - 51 | E1343FN | 2C10 | 1 | 26 - 13 | E63018 | 7D16 | 2 | 120 - 47 |
| BH81794 | 4I14 | .. | 60 - 51 | E1343FN | 2C12 | 1 | 26 - 15 | E64256 | 3C25 | 4 | 40 - 33 |
| BH81795 | 4I14 | .. | 60 - 51 | E17421 | 2G4 | 20 | 30 - 13 | E64256 | 4G20 | 36 | 60 - 9 |
| BH81876 | 7C24 | .. | 120 - 31 | E18993 | 8D8 | 6 | 121 - 39 | E64256 | 5G21 | 8 | 80 - 7 |
| BP12946 | 6H22 | 4 | 110 - 55 | E47782 | 7C18 | 22 | 120 - 25 | E64256 | 9E2 | 14 | 130 - 59 |
| BP13616 | 8E14 | 13 | 121 - 69 | E47782 | 7C20 | 10 | 120 - 27 | E65288 | 4D4 | .. | 50 - 33 |
| BP13620 | 6F23 | 22 | 110 - 5 | E50096 | 7B23 | 10 | 120 - 5 | E65288 | 4D6 | .. | 50 - 35 |
| BP13620 | 8D18 | 1 | 121 - 49 | E50096 | 7B25 | 10 | 120 - 7 | E65288 | 4D7 | 28 | 50 - 36 |
| B10604 | 8D14 | 3 | 121 - 45 | E50096 | 7C2 | 11 | 120 - 9 | E65288 | 4D8 | 25 | 50 - 37 |
| B2290R | 6C14 | 6 | 90 - 21 | E50096 | 7C4 | 11 | 120 - 11 | E65288 | 4D15 | 25 | 50 - 44 |
| B27370 | 9D2 | 2 | 130 - 35 | E53699 | 6F23 | 12 | 110 - 5 | E65288 | 4D18 | .. | 50 - 47 |
| B27835 | 8F23 | 35B | 125 - 5 | E55662 | 1E23 | 17 | 25 - 43 | E65288 | 4D20 | .. | 50 - 49 |
| B28970 | 8F23 | 29 | 125 - 5 | E55662 | 1E23 | 24 | 25 - 43 | E65288 | 4G7 | 3 | 50 - 111 |
| B28970 | 8G2 | 7 | 125 - 9 | E55662 | 1F13 | 3 | 25 - 59 | E65288 | 4G7 | 6 | 50 - 111 |
| B2984R | 8E14 | 14 | 121 - 69 | E55662 | 1G2 | 12 | 25 - 73 | E65288 | 5E25 | 2B | 70 - 83 |
| B3118R | 6F21 | 8 | 110 - 3 | E55662 | 1G6 | 8 | 25 - 77 | E66618 | 5E7 | 24 | 70 - 63 |
| B3118R | 6F23 | 13 | 110 - 5 | E55662 | 1G21 | 3 | 25 - 95 | E66619 | 5E7 | 19 | 70 - 63 |
| B3118R | 8D10 | 8 | 121 - 41 | E55662 | 1G22 | 4 | 25 - 96 | E66620 | 5E7 | 18 | 70 - 63 |
| B32564 | 4H4 | 23 | 60 - 17 | E55662 | 2D16 | 5 | 26 - 49 | E70736 | 7C16 | 8 | 120 - 23 |
| B32630 | 3F2 | 2 | 40 - 83 | E55662 | 2E2 | 16 | 26 - 59 | E76372 | 8F23 | 37A | 125 - 5 |
| B32630 | 5I10 | 12 | 80 - 45 | E55662 | 2E10 | 16 | 26 - 65 | E82510 | 9F6 | 4 | 170 - 15 |
| B3690R | 4H12 | 36 | 60 - 25 | E55662 | 2E12 | 16 | 26 - 65B | E82510 | 9G9 | 24 | 170 - 43 |
| B3690R | 6E15 | 36 | 90 - 73 | E55662 | 2F10 | 4 | 26 - 89 | E82514 | 6H22 | 9 | 110 - 55 |
| CC40740 | 9F22 | 3 | 170 - 31 | E55662 | 9D8 | 8 | 130 - 41 | E82575 | 9F24 | 4 | 170 - 33 |
| CC40740 | 9G15 | 3 | 170 - 49 | E55758 | 4E5 | 6 | 50 - 58 | E82575 | 9G9 | 24 | 170 - 43 |
| CE18201 | 4C10 | .. | 50 - 15 | E56866 | 8C10 | 16 | 121 - 17 | F1649R | 2F20 | 14 | 30 - 5 |
| CE18201 | 4C22 | 1 | 50 - 27 | E56866 | 8C12 | 15 | 121 - 19 | F1743R | 1D11 | 11 | 25 - 5 |
| CE18206 | 4H4 | 22 | 60 - 17 | E58183 | 6D18 | 8 | 90 - 51 | F1743R | 1D13 | 11 | 25 - 7 |
| C10232 | 6H4 | 35 | 110 - 37 | E59406 | 8E14 | 10 | 121 - 69 | F1743R | 1E11 | 25 | 25 - 31 |
| C10232 | 8H23 | 10 | 125 - 54 | E61791 | 5F2 | 1 | 70 - 85 | F1743R | 2C2 | 9 | 26 - 5 |
| C10232 | 9B24 | 10 | 130 - 7 | E61791 | 8H12 | 1 | 125 - 43 | F2380R | 4E17 | 19 | 50 - 71 |
| C10233 | 8H23 | 10 | 125 - 54 | E62089 | 5E7 | 6 | 70 - 63 | F3220R | 3C25 | 22 | 40 - 33 |
| C10233 | 9B24 | 10 | 130 - 7 | E62089 | 5E9 | 6 | 70 - 65 | F3220R | 3D2 | 21 | 40 - 35 |
| C10263 | 8H23 | 10 | 125 - 54 | E62089 | 5E11 | 6 | 70 - 67 | F3646R | 1D11 | 6 | 25 - 5 |

NUMERICAL INDEX - CONTINUED

| PART NO. | GRID | KEY | PAGE | PART NO. | GRID | KEY | PAGE | PART NO. | GRID | KEY | PAGE |
|-------------|------|-----|-----------|----------|------|-----|----------|----------|------|-----|----------|
| F3646R | 1D13 | 6 | 25 - 7 | H105578 | 8D22 | 57 | 121 - 53 | H110168 | 8D8 | 2 | 121 - 39 |
| F3646R | 1E23 | 18 | 25 - 43 | H105584 | 6H10 | 12 | 110 - 43 | H110178 | 7E4 | 8 | 120 - 59 |
| GG310-30411 | 5E25 | 1 | 70 - 83 | H105590 | 6H10 | 9 | 110 - 43 | H110178 | 7E12 | 7 | 120 - 67 |
| HZ5621H | 5I12 | 14 | 80 - 47 | H105822 | 4C4 | 2 | 50 - 9 | H110178 | 7E16 | 5 | 120 - 69 |
| HZ5621H | 7C6 | 7 | 120 - 13 | H105909 | 6F23 | 11 | 110 - 5 | H110178 | 7E20 | 7 | 120 - 73 |
| H100027 | 9D15 | 16 | 130 - 49 | H105912 | 6F23 | 2 | 110 - 5 | H110178 | 8C4 | 1 | 121 - 11 |
| H100027 | 9D17 | 16 | 130 - 49B | H106000 | 3G25 | 4 | 40 - 131 | H110229 | 4H14 | 6 | 60 - 27 |
| H100067 | 7C8 | 2A | 120 - 15 | H106073 | 6F23 | 25 | 110 - 5 | H110229 | 6E17 | 6 | 90 - 75 |
| H100211 | 7F12 | 3A | 120 - 89 | H106246 | 3C10 | 6 | 40 - 15 | H110232 | 4G20 | 14 | 60 - 9 |
| H100211 | 7F12 | 4 | 120 - 89 | H107004 | 3B23 | 16 | 40 - 3 | H110237 | 8C20 | 33 | 121 - 27 |
| H100211 | 7F13 | 2 | 120 - 90 | H107389 | 8D10 | 16 | 121 - 41 | H110310 | 4H14 | 5 | 60 - 27 |
| H100211 | 9C25 | 8 | 130 - 33 | H107504 | 4C6 | 4 | 50 - 11 | H110310 | 6E8 | 7 | 90 - 65 |
| H100244 | 6H12 | 20 | 110 - 45 | H107504 | 4C7 | 4 | 50 - 12 | H110310 | 6E17 | 5 | 90 - 75 |
| H100245 | 6H12 | 22 | 110 - 45 | H107504 | 4C10 | 1 | 50 - 15 | H110337 | 8D2 | 35 | 121 - 33 |
| H100246 | 6H12 | 21 | 110 - 45 | H107566 | 4H14 | 4 | 60 - 27 | H110438 | 9G4 | 10 | 170 - 37 |
| H100247 | 6H12 | 19 | 110 - 45 | H107566 | 6C4 | 18 | 90 - 11 | H110462 | 8D2 | 26 | 121 - 33 |
| H100416 | 8F25 | 43 | 125 - 7 | H107566 | 6E8 | 18 | 90 - 65 | H110521 | 8D2 | 24 | 121 - 33 |
| H100796 | 8E2 | 22 | 121 - 57 | H107566 | 6E17 | 4 | 90 - 75 | H110539 | 4C20 | 31 | 50 - 25 |
| H101297 | 8H22 | 15 | 125 - 53 | H107567 | 4H14 | 33 | 60 - 27 | H110539 | 4C22 | 15 | 50 - 27 |
| H101297 | 9B22 | 1 | 130 - 5 | H107567 | 6E17 | 33 | 90 - 75 | H110542 | 8D4 | 6 | 121 - 35 |
| H101448 | 6H12 | 12 | 110 - 45 | H107570 | 4H14 | 50 | 60 - 27 | H110700 | 4H14 | 21 | 60 - 27 |
| H101677 | 6H10 | 8 | 110 - 43 | H107570 | 6E17 | 50 | 90 - 75 | H110700 | 6E17 | 21 | 90 - 75 |
| H101813 | 3E20 | 3 | 40 - 77 | H107581 | 4H14 | 12 | 60 - 27 | H110728 | 6F21 | 16 | 110 - 3 |
| H101813 | 9E17 | 1 | 170 - 2 | H107581 | 6E17 | 12 | 90 - 75 | H110800 | 8C4 | 13 | 121 - 11 |
| H101870 | 6F13 | 22 | 90 - 97 | H107582 | 4H14 | 28 | 60 - 27 | H110800 | 8C6 | 5 | 121 - 13 |
| H101878 | 8B23 | 5 | 121 - 5 | H107582 | 6E17 | 28 | 90 - 75 | H110801 | 8C4 | 15 | 121 - 11 |
| H102206 | 4I8 | 4 | 60 - 45 | H107584 | 4H14 | 29 | 60 - 27 | H110801 | 8C6 | 7 | 121 - 13 |
| H102497 | 6H10 | 7 | 110 - 43 | H107584 | 6E17 | 29 | 90 - 75 | H110812 | 4H12 | 13 | 60 - 25 |
| H102533 | 5G18 | 4 | 80 - 4 | H107586 | 4H14 | 51 | 60 - 27 | H110812 | 6E8 | 13 | 90 - 65 |
| H102533 | 7D16 | 21 | 120 - 47 | H107586 | 6E17 | 51 | 90 - 75 | H110812 | 6E15 | 13 | 90 - 73 |
| H102533 | 8C20 | 36 | 121 - 27 | H107687 | 4H12 | 12 | 60 - 25 | H110842 | 3B25 | 16 | 40 - 5 |
| H102533 | 8D22 | 43 | 121 - 53 | H107687 | 4H14 | 8 | 60 - 27 | H110842 | 6F15 | 1 | 90 - 99 |
| H102909 | 9D23 | 7 | 130 - 55 | H107687 | 6E15 | 12 | 90 - 73 | H110848 | 3B25 | 8 | 40 - 5 |
| H103167 | 4C22 | 8 | 50 - 27 | H107687 | 6E17 | 8 | 90 - 75 | H110922 | 6F21 | 10 | 110 - 3 |
| H103264 | 1B18 | 7 | 20 - 1 | H107735 | 6F21 | 14 | 110 - 3 | H110922 | 6H20 | 2 | 110 - 53 |
| H103264 | 1B20 | 37 | 20 - 3 | H107793 | 6F21 | 3 | 110 - 3 | H110923 | 9G7 | 4 | 170 - 41 |
| H103264 | 7D14 | 18 | 120 - 45 | H108291 | 4G16 | 6 | 60 - 5 | H111041 | 8D2 | 2 | 121 - 33 |
| H103264 | 8G12 | 15 | 125 - 19 | H108291 | 5D4 | 12 | 70 - 33 | H111042 | 8D2 | 28 | 121 - 33 |
| H103264 | 8I7 | 5 | 125 - 63 | H108604 | 4C3 | .. | 50 - 8 | H111234 | 4G22 | 15 | 60 - 11 |
| H103264 | 8I9 | 5 | 125 - 65 | H108604 | 4I15 | .. | 60 - 52 | H111260 | 8D2 | 1 | 121 - 33 |
| H103264 | 8I9 | 13 | 125 - 65 | H108604 | 9G11 | 2 | 170 - 45 | H111261 | 8D2 | 1 | 121 - 33 |
| H103264 | 9B20 | 4 | 130 - 3 | H108604 | 9G11 | 4 | 170 - 45 | H111262 | 8D2 | 1 | 121 - 33 |
| H103264 | 9D19 | 15 | 130 - 51 | H108605 | 4C5 | .. | 50 - 10 | H111364 | 3B25 | 2 | 40 - 5 |
| H103265 | 7F10 | 4 | 120 - 87 | H108605 | 9G11 | 4 | 170 - 45 | H111364 | 3G11 | 2 | 40 - 117 |
| H103265 | 9D21 | 19 | 130 - 53 | H108673 | 6F21 | 7 | 110 - 3 | H111364 | 3G23 | 8 | 40 - 129 |
| H103265 | 9D23 | 8 | 130 - 55 | H108725 | 4H14 | 24 | 60 - 27 | H111364 | 6E6 | 16 | 90 - 63 |
| H103265 | 9E2 | 33 | 130 - 59 | H108725 | 6E17 | 24 | 90 - 75 | H111364 | 6F15 | 2 | 90 - 99 |
| H103318 | 9B22 | 10 | 130 - 5 | H108745 | 5F6 | 11 | 70 - 89 | H111378 | 5B22 | 1 | 70 - 3 |
| H103538 | 4E19 | 23 | 50 - 73 | H108822 | 4H12 | 34 | 60 - 25 | H111474 | 8C2 | 13 | 121 - 9 |
| H103543 | 4I14 | 1 | 60 - 51 | H108822 | 6E15 | 34 | 90 - 73 | H111478 | 6C12 | 7 | 90 - 19 |
| H103543 | 4I15 | 3 | 60 - 52 | H108889 | 6H20 | 4 | 110 - 53 | H111500 | 4C4 | 3 | 50 - 9 |
| H104075 | 4G20 | 31 | 60 - 9 | H108935 | 6F13 | 4 | 90 - 97 | H111537 | 4C5 | .. | 50 - 10 |
| H104418 | 3D10 | 15 | 40 - 43 | H109046 | 4G16 | 14 | 60 - 5 | H111538 | 4C5 | .. | 50 - 10 |
| H104418 | 4C24 | 24 | 50 - 29 | H109046 | 4H18 | 18 | 60 - 31 | H111541 | 4I14 | .. | 60 - 51 |
| H104793 | 3D23 | 3 | 40 - 56 | H109046 | 5B24 | 16 | 70 - 5 | H111541 | 9G11 | 2 | 170 - 45 |
| H104793 | 8F14 | 5 | 121 - 93 | H109046 | 5C20 | 23 | 70 - 25 | H111705 | 6E6 | 12 | 90 - 63 |
| H104794 | 3D23 | 3 | 40 - 56 | H109046 | 5D2 | 12 | 70 - 31 | H111705 | 6F15 | 3 | 90 - 99 |
| H104794 | 8F14 | 4 | 121 - 93 | H109046 | 5D24 | 6 | 70 - 55 | H111706 | 3C6 | 2 | 40 - 11 |
| H104795 | 3D23 | 4 | 40 - 56 | H109093 | 9D15 | 1A | 130 - 49 | H111706 | 3C10 | 14 | 40 - 15 |
| H104795 | 7D16 | 7 | 120 - 47 | H109146 | 3F2 | 6 | 40 - 83 | H111706 | 6E6 | 3 | 90 - 63 |
| H104796 | 3D23 | 4 | 40 - 56 | H109254 | 4G24 | 15 | 60 - 13 | H111706 | 6E19 | 35 | 90 - 77 |
| H104796 | 7D16 | 8 | 120 - 47 | H109539 | 4H14 | 9 | 60 - 27 | H111706 | 6F15 | 4 | 90 - 99 |
| H104855 | 3F20 | 9 | 40 - 101 | H109539 | 6E8 | 8 | 90 - 65 | H111730 | 4E25 | 2 | 50 - 79 |
| H105005 | 4G20 | 32 | 60 - 9 | H109539 | 6E17 | 9 | 90 - 75 | H111730 | 4F2 | 2 | 50 - 81 |
| H105005 | 4G22 | 16 | 60 - 11 | H109716 | 4G20 | 26 | 60 - 9 | H111730 | 4F4 | 21 | 50 - 83 |
| H105353 | 6F23 | 18 | 110 - 5 | H109845 | 7F6 | 11 | 120 - 83 | H111730 | 4F8 | 2 | 50 - 87 |
| H105519 | 8H22 | 16 | 125 - 53 | H109855 | 6H10 | 7 | 110 - 43 | H111730 | 4H18 | 20 | 60 - 31 |

NUMERICAL INDEX - CONTINUED

| PART NO. | GRID | KEY | PAGE | PART NO. | GRID | KEY | PAGE | PART NO. | GRID | KEY | PAGE |
|----------|------|-----|----------|----------|------|-----|----------|----------|------|-----|----------|
| H111730 | 5D24 | 11 | 70 - 55 | H114001 | 8F23 | 21 | 125 - 5 | H114901 | 4F2 | 9 | 50 - 81 |
| H112162 | 4C14 | 23 | 50 - 19 | H114001 | 8G2 | 21B | 125 - 9 | H114901 | 4F4 | 13 | 50 - 83 |
| H112162 | 5B24 | 14 | 70 - 5 | H114020 | 3G7 | 11 | 40 - 113 | H114901 | 4F6 | 10 | 50 - 85 |
| H112162 | 6D5 | 23 | 90 - 37 | H114020 | 8H2 | 3 | 125 - 33 | H114901 | 4F8 | 9 | 50 - 87 |
| H112567 | 1C14 | 12 | 20 - 21 | H114020 | 8H2 | 10 | 125 - 33 | H114901 | 4F18 | 2 | 50 - 97 |
| H112567 | 4E21 | 21 | 50 - 75 | H114038 | 3B23 | 3 | 40 - 3 | H114901 | 4F20 | 16 | 50 - 99 |
| H112567 | 4E25 | 3 | 50 - 79 | H114038 | 3C16 | 10 | 40 - 23 | H114901 | 4F22 | 16 | 50 - 101 |
| H112567 | 4F2 | 3 | 50 - 81 | H114038 | 3C18 | 9 | 40 - 25 | H115031 | 6E19 | 9 | 90 - 77 |
| H112567 | 4F4 | 20 | 50 - 83 | H114038 | 3D6 | 21 | 40 - 39 | H115049 | 4D20 | 18 | 50 - 49 |
| H112567 | 4F6 | 21 | 50 - 85 | H114038 | 6C10 | 12 | 90 - 17 | H115052 | 4D20 | 27 | 50 - 49 |
| H112567 | 4F8 | 3 | 50 - 87 | H114038 | 6F15 | 5 | 90 - 99 | H115060 | 4D18 | 6 | 50 - 47 |
| H112567 | 4F14 | 10 | 50 - 93 | H114046 | 6E21 | 3 | 90 - 79 | H115140 | 4I5 | 8 | 60 - 42 |
| H112567 | 4F16 | 5 | 50 - 95 | H114100 | 8D18 | 3 | 121 - 49 | H115140 | 4I6 | 7 | 60 - 43 |
| H112567 | 4F20 | 13 | 50 - 99 | H114134 | 8D16 | 24 | 121 - 47 | H115179 | 7C16 | 16 | 120 - 23 |
| H112567 | 4F22 | 13 | 50 - 101 | H114142 | 6E19 | 11 | 90 - 77 | H115179 | 7D2 | 4 | 120 - 33 |
| H112567 | 4F25 | 5 | 50 - 104 | H114226 | 8C10 | 13 | 121 - 17 | H115379 | 4F14 | 11 | 50 - 93 |
| H112567 | 4G9 | 5 | 50 - 113 | H114226 | 8C12 | 13 | 121 - 19 | H115379 | 4F16 | 6 | 50 - 95 |
| H112567 | 4G18 | 8 | 60 - 7 | H114227 | 8C10 | 13 | 121 - 17 | H115521 | 3C22 | 1 | 40 - 29 |
| H112567 | 4H16 | 11 | 60 - 29 | H114227 | 8C12 | 13 | 121 - 19 | H115521 | 6E21 | 1 | 90 - 79 |
| H112567 | 4H18 | 21 | 60 - 31 | H114228 | 8C10 | 13 | 121 - 17 | H115533 | 4H18 | 23 | 60 - 31 |
| H112567 | 5C16 | 11 | 70 - 21 | H114228 | 8C12 | 13 | 121 - 19 | H115533 | 4H18 | 27 | 60 - 31 |
| H112567 | 5C18 | 15 | 70 - 23 | H114270 | 9G4 | 13 | 170 - 37 | H115533 | 5B24 | 2 | 70 - 5 |
| H112567 | 5D21 | 6 | 70 - 51 | H114320 | 9G4 | 13 | 170 - 37 | H115533 | 5C16 | 18 | 70 - 21 |
| H112567 | 5D24 | 10 | 70 - 55 | H114321 | 9G4 | 10 | 170 - 37 | H115533 | 5C24 | 1 | 70 - 29 |
| H112567 | 5G2 | 4 | 70 - 109 | H114330 | 4G22 | 13 | 60 - 11 | H115596 | 8D8 | 8 | 121 - 39 |
| H112567 | 8H6 | 5 | 125 - 37 | H114331 | 4G22 | 10 | 60 - 11 | H115599 | 8D10 | 1 | 121 - 41 |
| H112567 | 8H8 | 7 | 125 - 39 | H114379 | 8D24 | 19 | 121 - 55 | H115755 | 8C20 | 19 | 121 - 27 |
| H112567 | 8H10 | 7 | 125 - 41 | H114395 | 9D21 | 10 | 130 - 53 | H115759 | 8C20 | 25 | 121 - 27 |
| H112877 | 8D2 | 21 | 121 - 33 | H114411 | 3E2 | 8 | 40 - 59 | H115759 | 8D10 | 3 | 121 - 41 |
| H112910 | 4G24 | 7 | 60 - 13 | H114432 | 1C14 | 15 | 20 - 21 | H115759 | 9E18 | 6 | 170 - 3 |
| H112911 | 4G24 | 3 | 60 - 13 | H114432 | 4F14 | 21 | 50 - 93 | H115881 | 8C22 | 4 | 121 - 29 |
| H112911 | 4G24 | 11 | 60 - 13 | H114432 | 4F16 | 15 | 50 - 95 | H115881 | 8D2 | 39 | 121 - 33 |
| H113053 | 9D4 | 9 | 130 - 37 | H114432 | 5C18 | 10 | 70 - 23 | H115881 | 8D10 | 20 | 121 - 41 |
| H113063 | 8D2 | 27 | 121 - 33 | H114433 | 1C14 | 6 | 20 - 21 | H115881 | 9E18 | 7 | 170 - 3 |
| H113134 | 4C24 | 22 | 50 - 29 | H114473 | 4I4 | 7A | 60 - 41 | H115987 | 6D16 | 9 | 90 - 49 |
| H113196 | 1G22 | 7 | 25 - 96 | H114523 | 6B23 | 4 | 90 - 5 | H115988 | 6D16 | 17 | 90 - 49 |
| H113196 | 1H1 | 6 | 25 - 101 | H114525 | 6B23 | 5 | 90 - 5 | H116065 | 8D12 | 8 | 121 - 43 |
| H113196 | 1H1 | 8 | 25 - 101 | H114535 | 8F21 | 9 | 125 - 3 | H116160 | 3E4 | .. | 40 - 61 |
| H113196 | 2F10 | 7 | 26 - 89 | H114536 | 8F21 | 15 | 125 - 3 | H116160 | 3E8 | .. | 40 - 65 |
| H113196 | 2F13 | 5 | 26 - 92 | H114537 | 8F21 | 10 | 125 - 3 | H116160 | 3F14 | .. | 40 - 95 |
| H113196 | 4F24 | 18 | 50 - 103 | H114538 | 8F21 | 14 | 125 - 3 | H116160 | 8C10 | .. | 121 - 17 |
| H113208 | 8D2 | 19 | 121 - 33 | H114562 | 5H14 | 13 | 80 - 25 | H116160 | 8C12 | .. | 121 - 19 |
| H113210 | 8D4 | 10 | 121 - 35 | H114687 | 8D2 | 34 | 121 - 33 | H116160 | 8C14 | .. | 121 - 21 |
| H113238 | 8D2 | 23 | 121 - 33 | H114688 | 8D2 | 38 | 121 - 33 | H116160 | 8C16 | .. | 121 - 23 |
| H113279 | 4H12 | 15A | 60 - 25 | H114689 | 8D2 | 44 | 121 - 33 | H116161 | 8E16 | 4 | 121 - 71 |
| H113279 | 6E15 | 15A | 90 - 73 | H114709 | 9D19 | 20 | 130 - 51 | H116161 | 9D21 | 24 | 130 - 53 |
| H113402 | 4H14 | 19 | 60 - 27 | H114738 | 9E2 | 42 | 130 - 59 | H116188 | 6C10 | 14 | 90 - 17 |
| H113402 | 6E17 | 19 | 90 - 75 | H114818 | 1B22 | 2 | 20 - 5 | H116213 | 5E25 | 9 | 70 - 83 |
| H113404 | 4H14 | 18 | 60 - 27 | H114818 | 1B24 | 1 | 20 - 7 | H116213 | 5F2 | 10 | 70 - 85 |
| H113404 | 6E17 | 18 | 90 - 75 | H114837 | 5G23 | 7 | 80 - 9 | H116213 | 8H12 | 12 | 125 - 43 |
| H113625 | 7D10 | 15 | 120 - 41 | H114865 | 4F20 | 11 | 50 - 99 | H116262 | 9E2 | 10 | 130 - 59 |
| H113625 | 7D20 | 20 | 120 - 51 | H114865 | 4F22 | 11 | 50 - 101 | H116292 | 9D19 | 2A | 130 - 51 |
| H113626 | 7D10 | 17 | 120 - 41 | H114865 | 4F25 | 4 | 50 - 104 | H116333 | 4C6 | 6 | 50 - 11 |
| H113626 | 7D20 | 23 | 120 - 51 | H114865 | 4G9 | 6 | 50 - 113 | H116333 | 4C8 | 3 | 50 - 13 |
| H113627 | 8D2 | 9 | 121 - 33 | H114865 | 4G18 | 9 | 60 - 7 | H116351 | 9D8 | 9 | 130 - 41 |
| H113717 | 9D19 | 21 | 130 - 51 | H114865 | 5D21 | 7 | 70 - 51 | H116359 | 6D9 | 4 | 90 - 41 |
| H113858 | 4H12 | 4 | 60 - 25 | H114873 | 9D19 | 5 | 130 - 51 | H116639 | 4C3 | .. | 50 - 8 |
| H113858 | 6E15 | 4 | 90 - 73 | H114876 | 4E21 | 5 | 50 - 75 | H116640 | 4C3 | .. | 50 - 8 |
| H113863 | 4H12 | 16 | 60 - 25 | H114876 | 4E21 | 13 | 50 - 75 | H116640 | 9G11 | 4 | 170 - 45 |
| H113863 | 6E15 | 16 | 90 - 73 | H114897 | 1C14 | 13 | 20 - 21 | H116641 | 4C3 | .. | 50 - 8 |
| H113864 | 4H14 | 14 | 60 - 27 | H114897 | 4E21 | 20 | 50 - 75 | H116641 | 4I14 | .. | 60 - 51 |
| H113864 | 6E17 | 14 | 90 - 75 | H114897 | 4F6 | 20 | 50 - 85 | H116641 | 4I15 | .. | 60 - 52 |
| H113892 | 6G3 | 9 | 110 - 10 | H114897 | 5C18 | 14 | 70 - 23 | H116641 | 9G11 | 1 | 170 - 45 |
| H113924 | 3B25 | 14 | 40 - 5 | H114897 | 5C18 | 17 | 70 - 23 | H116706 | 5D4 | 9 | 70 - 33 |
| H113946 | 8D2 | 32 | 121 - 33 | H114898 | 4F20 | 15 | 50 - 99 | H116717 | 5C20 | 3 | 70 - 25 |
| H113947 | 8D2 | 7 | 121 - 33 | H114898 | 4F22 | 15 | 50 - 101 | H116717 | 5C24 | 10 | 70 - 29 |
| H114001 | 8D4 | 15 | 121 - 35 | H114901 | 4E23 | 9 | 50 - 77 | H116717 | 5D2 | 2 | 70 - 31 |

NUMERICAL INDEX - CONTINUED

| PART NO. | GRID | KEY | PAGE | PART NO. | GRID | KEY | PAGE | PART NO. | GRID | KEY | PAGE |
|----------|------|-----|--------|----------|------|-----|--------|----------|------|-----|--------|
| H116740 | 3F8 | 1 | 40-89 | H119088 | 6C2 | 4 | 90-9 | H121168 | 4H22 | 5 | 60-35 |
| H116740 | 3F8 | 7 | 40-89 | H119088 | 6F15 | 6 | 90-99 | H121168 | 5B24 | 19 | 70-5 |
| H116740 | 3F10 | 1 | 40-91 | H119186 | 6E19 | 4 | 90-77 | H121168 | 5C20 | 25 | 70-25 |
| H116740 | 3F12 | 1 | 40-93 | H119186 | 6E21 | 9 | 90-79 | H121168 | 5C20 | 30 | 70-25 |
| H116740 | 5G23 | 8 | 80-9 | H119187 | 6E19 | 37A | 90-77 | H121168 | 5C24 | 16 | 70-29 |
| H116740 | 5G25 | 4 | 80-11 | H119210 | 8D8 | 9 | 121-39 | H121168 | 5D2 | 11 | 70-31 |
| H116861 | 8D6 | 5 | 121-37 | H119211 | 7D20 | 14 | 120-51 | H121168 | 5D4 | 11 | 70-33 |
| H116862 | 8D6 | 4 | 121-37 | H119362 | 6E19 | 17 | 90-77 | H121168 | 5D24 | 7 | 70-55 |
| H116862 | 8E12 | 16 | 121-67 | H119411 | 5H12 | 23 | 80-23 | H121168 | 5F22 | 10 | 70-105 |
| H116894 | 5D9 | 9 | 70-39 | H119475 | 1B22 | 10 | 20-5 | H121168 | 5F24 | 4 | 70-107 |
| H116916 | 8D24 | 20 | 121-55 | H119566 | 9D19 | 9 | 130-51 | H121168 | 8H6 | 20 | 125-37 |
| H117239 | 3B25 | 12 | 40-5 | H119567 | 9D19 | 9 | 130-51 | H121391 | 5I10 | 15 | 80-45 |
| H117239 | 3D6 | 19 | 40-39 | H119568 | 9D19 | 9 | 130-51 | H121391 | 9C21 | 34 | 130-29 |
| H117691 | 8G8 | 8 | 125-15 | H119642 | 7C16 | 24 | 120-23 | H121407 | 1B18 | 4 | 20-1 |
| H117693 | 8G8 | 12 | 125-15 | H119642 | 7D2 | 19 | 120-33 | H121472 | 4F24 | 11 | 50-103 |
| H117695 | 8G8 | 5 | 125-15 | H119682 | 6E8 | 16 | 90-65 | H121472 | 4I6 | 9 | 60-43 |
| H117703 | 8D2 | 15 | 121-33 | H119684 | 6E8 | 19 | 90-65 | H121574 | 8G8 | 16 | 125-15 |
| H117937 | 5D4 | 5 | 70-33 | H119685 | 6E8 | 1 | 90-65 | H121575 | 8G8 | 11 | 125-15 |
| H117952 | 3D18 | 9 | 40-51 | H119687 | 6E8 | 21 | 90-65 | H121576 | 8G8 | 15 | 125-15 |
| H117952 | 6F13 | 10 | 90-97 | H119709 | 6H10 | 11 | 110-43 | H121705 | 3E18 | 1 | 40-75 |
| H118068 | 7B21 | 12 | 120-3 | H119710 | 6H10 | 2 | 110-43 | H121932 | 4E19 | 18 | 50-73 |
| H118082 | 8D2 | 12 | 121-33 | H119904 | 2F22 | 2 | 30-7 | H122063 | 4C5 | 4 | 50-10 |
| H118153 | 6D16 | 16 | 90-49 | H119996 | 9D21 | 13 | 130-53 | H122182 | 4E21 | 8 | 50-75 |
| H118166 | 7D6 | 3 | 120-37 | H119997 | 9D21 | 12 | 130-53 | H122182 | 4E23 | 7 | 50-77 |
| H118416 | 3B23 | 10 | 40-3 | H120082 | 5H12 | 13 | 80-23 | H122182 | 4E25 | 5 | 50-79 |
| H118422 | 3E2 | 19 | 40-59 | H120099 | 6E12 | 5 | 90-69 | H122182 | 4F2 | 5 | 50-81 |
| H118425 | 3E12 | 21 | 40-69 | H120188 | 3D6 | 16 | 40-39 | H122182 | 4F4 | 3 | 50-83 |
| H118426 | 3D8 | 7 | 40-41 | H120194 | 8E20 | 21 | 121-75 | H122182 | 4F6 | 8 | 50-85 |
| H118426 | 3D12 | 8 | 40-45 | H120198 | 8E16 | 25 | 121-71 | H122182 | 4F8 | 5 | 50-87 |
| H118427 | 3D10 | 3 | 40-43 | H120198 | 8E18 | 23 | 121-73 | H122182 | 4F10 | 3 | 50-89 |
| H118430 | 3B23 | 17 | 40-3 | H120362 | 5C18 | 21 | 70-23 | H122182 | 4F12 | 3 | 50-91 |
| H118430 | 3C8 | 3 | 40-13 | H120362 | 8H6 | 3 | 125-37 | H122372 | 3D18 | 11 | 40-51 |
| H118431 | 3B23 | 15 | 40-3 | H120379 | 5G17 | 19 | 80-3 | H122372 | 7D20 | 11 | 120-51 |
| H118539 | 6E25 | 13 | 90-83 | H120388 | 4G22 | 6 | 60-11 | H122573 | 4C5 | .. | 50-10 |
| H118543 | 6E25 | 15 | 90-83 | H120389 | 4G22 | 5 | 60-11 | H122573 | 9E22 | 3 | 170-7 |
| H118583 | 6G22 | 20 | 110-31 | H120490 | 8C24 | 8 | 121-31 | H122573 | 9G11 | 5 | 170-45 |
| H118583 | 6G24 | 18 | 110-33 | H120499 | 5I10 | 14 | 80-45 | H122647 | 5C22 | 7 | 70-27 |
| H118616 | 8C24 | 3 | 121-31 | H120499 | 9C21 | 10 | 130-29 | H122650 | 8C4 | 14 | 121-11 |
| H118617 | 8C20 | 24 | 121-27 | H120659 | 8D4 | 17 | 121-35 | H122650 | 8C6 | 6 | 121-13 |
| H118617 | 8C24 | 1 | 121-31 | H120660 | 8D4 | 17 | 121-35 | H122772 | 5C16 | 10 | 70-21 |
| H118618 | 8C24 | 6 | 121-31 | H120800 | 7D6 | 7 | 120-37 | H122772 | 8H8 | 8 | 125-39 |
| H118618 | 9E18 | 7 | 170-3 | H120801 | 7D6 | 6 | 120-37 | H122772 | 8H10 | 8 | 125-41 |
| H118619 | 6E19 | 12 | 90-77 | H120847 | 4H16 | 26 | 60-29 | H123297 | 2G10 | 10 | 30-19 |
| H118719 | 1B18 | 16 | 20-1 | H120847 | 4H18 | 4 | 60-31 | H123351 | 9G4 | 12 | 170-37 |
| H118719 | 1B20 | 44 | 20-3 | H120847 | 4H18 | 15 | 60-31 | H123557 | 8C20 | 27 | 121-27 |
| H118766 | 2G10 | 7 | 30-19 | H120847 | 5C20 | 31 | 70-25 | H123632 | 6G13 | 25 | 110-21 |
| H118776 | 6G22 | 20 | 110-31 | H120847 | 5C24 | 17 | 70-29 | H123636 | 6G13 | 11 | 110-21 |
| H118776 | 6G24 | 16 | 110-33 | H120847 | 5D19 | 7 | 70-49 | H123637 | 6G13 | 19 | 110-21 |
| H118781 | 1B22 | 12 | 20-5 | H120847 | 5F22 | 11 | 70-105 | H123638 | 6G13 | 21 | 110-21 |
| H118871 | 6E19 | 28 | 90-77 | H120847 | 5F24 | 5 | 70-107 | H123650 | 5G23 | 13 | 80-9 |
| H118872 | 6E19 | 26 | 90-77 | H120847 | 8H6 | 19 | 125-37 | H123652 | 1B18 | 9 | 20-1 |
| H118882 | 4C17 | 8 | 50-22 | H120923 | 9G4 | 1 | 170-37 | H123652 | 1B20 | 39 | 20-3 |
| H118906 | 5G8 | 22 | 70-115 | H120924 | 9G7 | 6 | 170-41 | H123653 | 1B18 | 11 | 20-1 |
| H118919 | 8C14 | 15 | 121-21 | H120925 | 9G13 | 6 | 170-47 | H123653 | 1B20 | 41 | 20-3 |
| H118919 | 8C16 | 15 | 121-23 | H121110 | 3D18 | 6 | 40-51 | H123733 | 6H4 | 30 | 110-37 |
| H118920 | 8C14 | 14 | 121-21 | H121110 | 3H4 | 11 | 40-135 | H123740 | 6C10 | 18 | 90-17 |
| H118920 | 8C16 | 14 | 121-23 | H121134 | 8D8 | 4 | 121-39 | H123740 | 6D9 | 10 | 90-41 |
| H118927 | 8C10 | 13 | 121-17 | H121163 | 4F20 | 23 | 50-99 | H123765 | 3E24 | 2 | 40-81 |
| H118927 | 8C12 | 13 | 121-19 | H121163 | 4F22 | 21 | 50-101 | H123773 | 6C10 | 9 | 90-17 |
| H118948 | 8I3 | 17 | 125-59 | H121163 | 4H20 | 5 | 60-33 | H123785 | 3E24 | 3 | 40-81 |
| H119007 | 4B22 | 7 | 50-3 | H121163 | 4H22 | 14 | 60-35 | H123786 | 3E24 | 7 | 40-81 |
| H119007 | 4G14 | 18 | 60-3 | H121163 | 5C20 | 5 | 70-25 | H123787 | 3E24 | 8 | 40-81 |
| H119008 | 4B22 | 11A | 50-3 | H121163 | 5D2 | 8 | 70-31 | H123788 | 3E24 | 6 | 40-81 |
| H119028 | 8B25 | 1 | 121-7 | H121163 | 5F6 | 14 | 70-89 | H123794 | 6C6 | 3 | 90-13 |
| H119029 | 8B25 | 1 | 121-7 | H121168 | 4G16 | 5 | 60-5 | H123796 | 6C10 | 16 | 90-17 |
| H119030 | 8B25 | 1 | 121-7 | H121168 | 4H16 | 27 | 60-29 | H123872 | 4H14 | 10 | 60-27 |
| H119031 | 8B25 | 1 | 121-7 | H121168 | 4H18 | 5 | 60-31 | H123872 | 6E17 | 10 | 90-75 |

NUMERICAL INDEX - CONTINUED

| PART NO. | GRID | KEY | PAGE | PART NO. | GRID | KEY | PAGE | PART NO. | GRID | KEY | PAGE |
|----------|------|-----|----------|----------|------|-----|----------|----------|------|-----|----------|
| H123873 | 4H12 | 25 | 60 - 25 | H125456 | 4C24 | 11 | 50 - 29 | H126026 | 5G8 | 7 | 70 - 115 |
| H123873 | 6E15 | 25 | 90 - 73 | H125459 | 6D9 | 5 | 90 - 41 | H126028 | 5G8 | 34 | 70 - 115 |
| H123874 | 4H14 | 20 | 60 - 27 | H125466 | 1C2 | 2 | 20 - 9 | H126069 | 8C4 | 4 | 121 - 11 |
| H123874 | 6E17 | 20 | 90 - 75 | H125467 | 1C2 | 1 | 20 - 9 | H126081 | 6C4 | 3 | 90 - 11 |
| H123875 | 4H14 | 25 | 60 - 27 | H125468 | 1C2 | 19A | 20 - 9 | H126082 | 6C4 | 2 | 90 - 11 |
| H123875 | 6E17 | 25 | 90 - 75 | H125469 | 1C4 | 2 | 20 - 11 | H126083 | 6C4 | 4 | 90 - 11 |
| H123877 | 4H14 | 2 | 60 - 27 | H125471 | 1C2 | 23 | 20 - 9 | H126123 | 4B24 | 22 | 50 - 5 |
| H123877 | 6E17 | 2 | 90 - 75 | H125489 | 6H12 | 6 | 110 - 45 | H126123 | 4C2 | 8 | 50 - 7 |
| H123918 | 1B20 | 23 | 20 - 3 | H125490 | 6H12 | 9 | 110 - 45 | H126124 | 4B24 | 23 | 50 - 5 |
| H123918 | 1C4 | 19 | 20 - 11 | H125511 | 6B23 | 1 | 90 - 5 | H126124 | 4C2 | 7 | 50 - 7 |
| H123918 | 8G14 | 11 | 125 - 21 | H125513 | 6C2 | 3 | 90 - 9 | H126169 | 8E12 | 8 | 121 - 67 |
| H123991 | 6C10 | 5 | 90 - 17 | H125517 | 4B24 | 12 | 50 - 5 | H126171 | 6E8 | 6 | 90 - 65 |
| H123995 | 3B21 | 5 | 40 - 1 | H125518 | 4C14 | 1 | 50 - 19 | H126172 | 6E8 | 2 | 90 - 65 |
| H123995 | 3B23 | 5 | 40 - 3 | H125518 | 6D5 | 1 | 90 - 37 | H126173 | 6E8 | 9 | 90 - 65 |
| H123995 | 6C10 | 7 | 90 - 17 | H125528 | 8D10 | 9 | 121 - 41 | H126174 | 6E8 | 20 | 90 - 65 |
| H123995 | 6E6 | 2 | 90 - 63 | H125530 | 8D10 | 5 | 121 - 41 | H126175 | 6E8 | 14 | 90 - 65 |
| H123995 | 6F15 | 7 | 90 - 99 | H125531 | 8D10 | 17 | 121 - 41 | H126176 | 6E8 | 17 | 90 - 65 |
| H123998 | 3C16 | 11 | 40 - 23 | H125532 | 8C24 | 4 | 121 - 31 | H126247 | 7D20 | 16 | 120 - 51 |
| H123998 | 3C18 | 10 | 40 - 25 | H125533 | 8D10 | 11 | 121 - 41 | H126261 | 6H18 | 6 | 110 - 51 |
| H123998 | 3C20 | 4 | 40 - 27 | H125537 | 5I2 | 4 | 80 - 37 | H126280 | 9D23 | 10 | 130 - 55 |
| H123998 | 3G11 | 7 | 40 - 117 | H125537 | 5I4 | 4 | 80 - 39 | H126302 | 6H18 | 11 | 110 - 51 |
| H123998 | 6E19 | 25 | 90 - 77 | H125537 | 9C23 | 19 | 130 - 31 | H126334 | 8F21 | 2 | 125 - 3 |
| H123998 | 6E19 | 35 | 90 - 77 | H125558 | 7D10 | 18 | 120 - 41 | H126334 | 8F25 | 45 | 125 - 7 |
| H124185 | 3C22 | 3 | 40 - 29 | H125558 | 8D24 | 2 | 121 - 55 | H126334 | 8G6 | 3 | 125 - 13 |
| H124185 | 6E21 | 7 | 90 - 79 | H125560 | 8D24 | 17 | 121 - 55 | H126335 | 8F21 | 1 | 125 - 3 |
| H124197 | 6E19 | 29 | 90 - 77 | H125565 | 6H12 | 7 | 110 - 45 | H126336 | 8F21 | 6 | 125 - 3 |
| H124198 | 6E19 | 30 | 90 - 77 | H125565 | 8C18 | 26 | 121 - 25 | H126345 | 6G5 | 12 | 110 - 13 |
| H124205 | 3F16 | 9 | 40 - 97 | H125565 | 8E12 | 12 | 121 - 67 | H126345 | 6H18 | 12 | 110 - 51 |
| H124206 | 3F16 | 2 | 40 - 97 | H125565 | 9E19 | 1 | 170 - 4 | H126345 | 6H20 | 3 | 110 - 53 |
| H124210 | 6C2 | 9 | 90 - 9 | H125711 | 6F21 | 12 | 110 - 3 | H126345 | 9E19 | 5 | 170 - 4 |
| H124222 | 3C2 | 4 | 40 - 7 | H125711 | 6G3 | 10 | 110 - 10 | H126346 | 6G5 | 20 | 110 - 13 |
| H124222 | 6D3 | 4 | 90 - 35 | H125711 | 9E19 | 6 | 170 - 4 | H126368 | 4F20 | 30 | 50 - 99 |
| H124254 | 4G22 | 14 | 60 - 11 | H125733 | 8B25 | 6 | 121 - 7 | H126370 | 6G5 | 26 | 110 - 13 |
| H124255 | 4G22 | 20 | 60 - 11 | H125734 | 8C6 | 10 | 121 - 13 | H126371 | 6G3 | 2 | 110 - 10 |
| H124258 | 4G20 | 18 | 60 - 9 | H125735 | 8C6 | 10 | 121 - 13 | H126371 | 6G5 | 25 | 110 - 13 |
| H124258 | 4G22 | 8 | 60 - 11 | H125736 | 8C6 | 10 | 121 - 13 | H126397 | 6G7 | 25 | 110 - 15 |
| H124259 | 4G22 | 7 | 60 - 11 | H125737 | 8C6 | 10 | 121 - 13 | H126397 | 6G9 | 25 | 110 - 17 |
| H124260 | 6B21 | 6 | 90 - 3 | H125738 | 8C6 | 1 | 121 - 13 | H126397 | 6G11 | 25 | 110 - 19 |
| H125305 | 4E19 | 17 | 50 - 73 | H125739 | 8B23 | 7 | 121 - 5 | H126397 | 9G9 | 19 | 170 - 43 |
| H125306 | 4E19 | 17 | 50 - 73 | H125740 | 8B21 | 18 | 121 - 3 | H126404 | 4C9 | 16 | 50 - 14 |
| H125330 | 4C17 | 13 | 50 - 22 | H125740 | 8B25 | 5 | 121 - 7 | H126470 | 6E6 | 10 | 90 - 63 |
| H125335 | 4C17 | 15 | 50 - 22 | H125741 | 8B21 | 18 | 121 - 3 | H126545 | 4C9 | 16 | 50 - 14 |
| H125347 | 3F8 | 15 | 40 - 89 | H125741 | 8B25 | 5 | 121 - 7 | H126564 | 8C10 | 15 | 121 - 17 |
| H125347 | 3F10 | 15 | 40 - 91 | H125742 | 8B21 | 18 | 121 - 3 | H126564 | 8C12 | 16 | 121 - 19 |
| H125347 | 3F12 | 15 | 40 - 93 | H125742 | 8B25 | 5 | 121 - 7 | H126572 | 4C24 | 12 | 50 - 29 |
| H125351 | 8C2 | 6 | 121 - 9 | H125743 | 8B21 | 18 | 121 - 3 | H126573 | 4C24 | 12 | 50 - 29 |
| H125352 | 8C2 | 7 | 121 - 9 | H125743 | 8B25 | 5 | 121 - 7 | H126575 | 4C24 | 12 | 50 - 29 |
| H125354 | 8C2 | 10 | 121 - 9 | H125759 | 4E17 | 25 | 50 - 71 | H126582 | 4E21 | 10 | 50 - 75 |
| H125355 | 8C2 | 21 | 121 - 9 | H125769 | 6C6 | 6 | 90 - 13 | H126583 | 4B24 | 16 | 50 - 5 |
| H125355 | 8C4 | 17 | 121 - 11 | H125837 | 8C6 | 8 | 121 - 13 | H126583 | 4C2 | 16 | 50 - 7 |
| H125356 | 8C2 | 19 | 121 - 9 | H125838 | 8B21 | 17 | 121 - 3 | H126583 | 4D10 | 23 | 50 - 39 |
| H125356 | 8C4 | 19 | 121 - 11 | H125838 | 8C10 | 12 | 121 - 17 | H126585 | 4B24 | 18 | 50 - 5 |
| H125357 | 8B25 | 9 | 121 - 7 | H125838 | 8C12 | 12 | 121 - 19 | H126586 | 4B24 | 18 | 50 - 5 |
| H125376 | 1B22 | 21 | 20 - 5 | H125838 | 8C14 | 5 | 121 - 21 | H126587 | 8B21 | 7 | 121 - 3 |
| H125377 | 1B22 | 4 | 20 - 5 | H125838 | 8C16 | 5 | 121 - 23 | H126589 | 6E19 | 20 | 90 - 77 |
| H125379 | 1B22 | 14 | 20 - 5 | H125839 | 8C4 | 7 | 121 - 11 | H126590 | 6E19 | 22 | 90 - 77 |
| H125380 | 8E16 | 12 | 121 - 71 | H125840 | 8C4 | 11 | 121 - 11 | H126672 | 5I8 | 15 | 80 - 43 |
| H125380 | 8E18 | 10 | 121 - 73 | H125841 | 8C4 | 8 | 121 - 11 | H126705 | 6H4 | 21 | 110 - 37 |
| H125380 | 9E19 | 3 | 170 - 4 | H125842 | 8C4 | 8 | 121 - 11 | H126715 | 8C18 | 25 | 121 - 25 |
| H125381 | 8E20 | 19 | 121 - 75 | H125843 | 8C4 | 8 | 121 - 11 | H126716 | 8C18 | 23 | 121 - 25 |
| H125381 | 8F14 | 6 | 121 - 93 | H125844 | 8C4 | 8 | 121 - 11 | H126721 | 8C10 | 6 | 121 - 17 |
| H125381 | 9E19 | 3 | 170 - 4 | H125873 | 3E24 | 13 | 40 - 81 | H126722 | 8D2 | 41 | 121 - 33 |
| H125391 | 8D10 | 18 | 121 - 41 | H125929 | 5E25 | 12 | 70 - 83 | H126792 | 8C6 | 15 | 121 - 13 |
| H125403 | 5C7 | 5 | 70 - 12 | H125930 | 3D8 | 3 | 40 - 41 | H126793 | 8C6 | 16 | 121 - 13 |
| H125403 | 5C8 | 3 | 70 - 13 | H125988 | 6E25 | 22 | 90 - 83 | H126801 | 9D24 | 1 | 130 - 56 |
| H125403 | 5C22 | 17 | 70 - 27 | H125989 | 6E25 | 23 | 90 - 83 | H126802 | 9D24 | 7 | 130 - 56 |
| H125403 | 8H8 | 24 | 125 - 39 | H125991 | 6E25 | 26 | 90 - 83 | H126804 | 9D24 | 12 | 130 - 56 |

1K12

9600 MAXIMIZER COMBINE

NUMERICAL INDEX - CONTINUED

| PART NO. | GRID | KEY | PAGE | PART NO. | GRID | KEY | PAGE | PART NO. | GRID | KEY | PAGE |
|----------|------|-----|----------|----------|------|-----|-----------|----------|------|-----|----------|
| H126828 | 8I5 | 9 | 125 - 61 | H127747 | 6D7 | 19 | 90 - 39 | H128357 | 8F6 | 3 | 121 - 85 |
| H126829 | 8D2 | 40 | 121 - 33 | H127747 | 6F25 | 19 | 110 - 7 | H128357 | 8F6 | 7 | 121 - 85 |
| H126846 | 3C10 | 35 | 40 - 15 | H127749 | 6D7 | 17 | 90 - 39 | H128357 | 8F8 | 2 | 121 - 87 |
| H126932 | 7E4 | 6 | 120 - 59 | H127749 | 6F25 | 17 | 110 - 7 | H128357 | 8F8 | 3 | 121 - 87 |
| H126932 | 7E12 | 3 | 120 - 67 | H127752 | 4G24 | 10 | 60 - 13 | H128357 | 8F10 | 2 | 121 - 89 |
| H126932 | 7E16 | 9 | 120 - 69 | H127772 | 6D16 | 7 | 90 - 49 | H128357 | 8F12 | 2 | 121 - 91 |
| H126932 | 7E20 | 3 | 120 - 73 | H127773 | 6D16 | 12A | 90 - 49 | H128358 | 8F4 | 1 | 121 - 83 |
| H126933 | 7E4 | 7 | 120 - 59 | H127781 | 6G7 | 16 | 110 - 15 | H128358 | 8F6 | 3 | 121 - 85 |
| H126933 | 7E12 | 6 | 120 - 67 | H127781 | 6G9 | 16 | 110 - 17 | H128358 | 8F8 | 2 | 121 - 87 |
| H126933 | 7E16 | 6 | 120 - 69 | H127781 | 6G11 | 16 | 110 - 19 | H128358 | 8F10 | 2 | 121 - 89 |
| H126933 | 7E20 | 6 | 120 - 73 | H127855 | 8D2 | 13 | 121 - 33 | H128358 | 8F12 | 2 | 121 - 91 |
| H126934 | 7E4 | 5 | 120 - 59 | H127872 | 8I3 | 4 | 125 - 59 | H128359 | 8F4 | 1 | 121 - 83 |
| H126934 | 7E12 | 4 | 120 - 67 | H127906 | 8E20 | 4 | 121 - 75 | H128359 | 8F6 | 3 | 121 - 85 |
| H126934 | 7E16 | 8 | 120 - 69 | H127906 | 8E22 | 4 | 121 - 77 | H128359 | 8F8 | 2 | 121 - 87 |
| H126934 | 7E20 | 4 | 120 - 73 | H127907 | 8E20 | 2 | 121 - 75 | H128359 | 8F10 | 2 | 121 - 89 |
| H126940 | 7D10 | 10 | 120 - 41 | H127907 | 8E22 | 2 | 121 - 77 | H128359 | 8F12 | 2 | 121 - 91 |
| H127006 | 7C16 | 14 | 120 - 23 | H127922 | 9D21 | 5 | 130 - 53 | H128360 | 8F4 | 1 | 121 - 83 |
| H127006 | 7D4 | 14 | 120 - 35 | H127923 | 8E16 | 6 | 121 - 71 | H128392 | 6C6 | 14 | 90 - 13 |
| H127067 | 9G11 | 2 | 170 - 45 | H127923 | 9D21 | 4 | 130 - 53 | H128469 | 3G7 | 10A | 40 - 113 |
| H127067 | 9G11 | 4 | 170 - 45 | H127971 | 7C10 | 2 | 120 - 17 | H128479 | 9D12 | 10 | 130 - 45 |
| H127068 | 9G11 | 4 | 170 - 45 | H127971 | 8C22 | 16 | 121 - 29 | H128489 | 9D12 | 4A | 130 - 45 |
| H127070 | 9G11 | 2 | 170 - 45 | H127978 | 6E19 | 14 | 90 - 77 | H128502 | 5G23 | 12 | 80 - 9 |
| H127073 | 9G11 | 2 | 170 - 45 | H127998 | 9D15 | 16 | 130 - 49 | H128515 | 4F20 | 24 | 50 - 99 |
| H127075 | 9G11 | 4 | 170 - 45 | H127998 | 9D17 | 16 | 130 - 49B | H128515 | 4F22 | 22 | 50 - 101 |
| H127076 | 9G11 | 1 | 170 - 45 | H128010 | 8C20 | 20 | 121 - 27 | H128515 | 4H20 | 4 | 60 - 33 |
| H127078 | 9G7 | 4 | 170 - 41 | H128010 | 8D14 | 1 | 121 - 45 | H128515 | 4H22 | 15 | 60 - 35 |
| H127090 | 5H4 | 9 | 80 - 15 | H128010 | 9E17 | 2 | 170 - 2 | H128515 | 5C20 | 6 | 70 - 25 |
| H127090 | 5H8 | 9 | 80 - 19 | H128080 | 8F4 | 2 | 121 - 83 | H128515 | 5D2 | 7 | 70 - 31 |
| H127159 | 8B21 | 9 | 121 - 3 | H128080 | 8F6 | 2 | 121 - 85 | H128515 | 5F6 | 15 | 70 - 89 |
| H127196 | 8C20 | 18 | 121 - 27 | H128080 | 8F8 | 1 | 121 - 87 | H128536 | 4B22 | 9 | 50 - 3 |
| H127252 | 9G9 | 16 | 170 - 43 | H128080 | 8F10 | 1 | 121 - 89 | H128557 | 4B22 | 8 | 50 - 3 |
| H127325 | 9G9 | 16 | 170 - 43 | H128080 | 8F12 | 1 | 121 - 91 | H128576 | 9C4 | 9 | 130 - 11 |
| H127326 | 9G9 | 16 | 170 - 43 | H128081 | 8F4 | 2 | 121 - 83 | H128709 | 8F23 | 6 | 125 - 5 |
| H127327 | 9G9 | 16 | 170 - 43 | H128081 | 8F6 | 2 | 121 - 85 | H128744 | 5H2 | 3 | 80 - 13 |
| H127408 | 5I6 | 7 | 80 - 41 | H128081 | 8F8 | 1 | 121 - 87 | H128744 | 5H2 | 14 | 80 - 13 |
| H127410 | 5I6 | 4 | 80 - 41 | H128081 | 8F10 | 1 | 121 - 89 | H128744 | 5H6 | 3 | 80 - 17 |
| H127465 | 5H22 | 16 | 80 - 33 | H128081 | 8F12 | 1 | 121 - 91 | H128819 | 3C25 | 5 | 40 - 33 |
| H127524 | 7D16 | 10 | 120 - 47 | H128082 | 7F2 | 17 | 120 - 79 | H128819 | 3D2 | 10 | 40 - 35 |
| H127525 | 7D16 | 23 | 120 - 47 | H128082 | 8F4 | 2 | 121 - 83 | H128820 | 3C25 | 10 | 40 - 33 |
| H127532 | 7D12 | 4 | 120 - 43 | H128082 | 8F6 | 2 | 121 - 85 | H128820 | 3D2 | 16 | 40 - 35 |
| H127574 | 6E19 | 21 | 90 - 77 | H128082 | 8F8 | 1 | 121 - 87 | H128821 | 3C25 | 12 | 40 - 33 |
| H127575 | 6E19 | 1 | 90 - 77 | H128082 | 8F10 | 1 | 121 - 89 | H128822 | 3D2 | 18 | 40 - 35 |
| H127578 | 2F20 | 2 | 30 - 5 | H128082 | 8F12 | 1 | 121 - 91 | H128823 | 3C25 | 25 | 40 - 33 |
| H127578 | 2F22 | 12 | 30 - 7 | H128083 | 8F4 | 2 | 121 - 83 | H128841 | 3C25 | 18 | 40 - 33 |
| H127583 | 8D8 | 22 | 121 - 39 | H128083 | 8F6 | 2 | 121 - 85 | H128859 | 3C25 | 26 | 40 - 33 |
| H127583 | 8G10 | 34 | 125 - 17 | H128083 | 8F8 | 1 | 121 - 87 | H128859 | 6F15 | 8 | 90 - 99 |
| H127589 | 2F22 | 13A | 30 - 7 | H128083 | 8F10 | 1 | 121 - 89 | H128861 | 9D6 | 1 | 130 - 39 |
| H127589 | 4F20 | 20 | 50 - 99 | H128083 | 8F12 | 1 | 121 - 91 | H128877 | 9B22 | 7 | 130 - 5 |
| H127589 | 4F22 | 20 | 50 - 101 | H128083 | 8F21 | 11 | 125 - 3 | H128884 | 5H20 | 1A | 80 - 31 |
| H127589 | 5C20 | 6 | 70 - 25 | H128084 | 8F4 | 2 | 121 - 83 | H128889 | 9C4 | 5 | 130 - 11 |
| H127589 | 5D2 | 27 | 70 - 31 | H128098 | 8E14 | 1 | 121 - 69 | H128906 | 3E24 | 11 | 40 - 81 |
| H127589 | 5D6 | 4 | 70 - 35 | H128111 | 8E14 | 7 | 121 - 69 | H128906 | 6E25 | 11 | 90 - 83 |
| H127589 | 5E2 | 2 | 70 - 57 | H128113 | 8F23 | 35A | 125 - 5 | H128937 | 8C2 | 3 | 121 - 9 |
| H127590 | 8D2 | 18 | 121 - 33 | H128118 | 6G2 | 5 | 110 - 9 | H128999 | 7D6 | 1 | 120 - 37 |
| H127596 | 8D8 | 17 | 121 - 39 | H128118 | 6G20 | 3 | 110 - 28 | H129004 | 5H12 | 27 | 80 - 23 |
| H127602 | 6G2 | 8 | 110 - 9 | H128124 | 8F21 | 21 | 125 - 3 | H129004 | 5H14 | 6 | 80 - 25 |
| H127603 | 6G2 | 8 | 110 - 9 | H128194 | 6E25 | 8 | 90 - 83 | H129049 | 9C15 | 17 | 130 - 23 |
| H127603 | 6G20 | 5 | 110 - 28 | H128201 | 1C7 | 10 | 20 - 14 | H129094 | 9G4 | 12 | 170 - 37 |
| H127625 | 6G7 | 6 | 110 - 15 | H128234 | 7F10 | 15 | 120 - 87 | H129099 | 9G7 | 9 | 170 - 41 |
| H127638 | 9C21 | 2 | 130 - 29 | H128234 | 8G10 | 32 | 125 - 17 | H129101 | 8D14 | 21 | 121 - 45 |
| H127677 | 5I4 | 13 | 80 - 39 | H128234 | 9E19 | 7 | 170 - 4 | H129101 | 8D20 | 23 | 121 - 51 |
| H127677 | 9C23 | 22 | 130 - 31 | H128265 | 8D22 | 32 | 121 - 53 | H129125 | 8E20 | 30 | 121 - 75 |
| H127679 | 6C8 | 20 | 90 - 15 | H128265 | 8H18 | 21 | 125 - 49 | H129125 | 8E22 | 29 | 121 - 77 |
| H127731 | 5I12 | 17A | 80 - 47 | H128297 | 8C22 | 5 | 121 - 29 | H129144 | 4C22 | 20 | 50 - 27 |
| H127732 | 5I12 | 11 | 80 - 47 | H128315 | 9G7 | 9 | 170 - 41 | H129179 | 7D6 | 5 | 120 - 37 |
| H127732 | 8D4 | 12 | 121 - 35 | H128327 | 8D24 | 5 | 121 - 55 | H129180 | 6F23 | 34 | 110 - 5 |
| H127733 | 6G2 | 22 | 110 - 9 | H128357 | 8F4 | 1 | 121 - 83 | H129201 | 8F4 | 3 | 121 - 83 |

1K13

9600 MAXIMIZER COMBINE

NUMERICAL INDEX - CONTINUED

| PART NO. | GRID | KEY | PAGE | PART NO. | GRID | KEY | PAGE | PART NO. | GRID | KEY | PAGE |
|----------|------|-----|----------|----------|------|-----|----------|----------|------|-----|----------|
| H129207 | 8D14 | 17 | 121 - 45 | H129822 | 9D2 | 14 | 130 - 35 | H130301 | 6C10 | 10 | 90 - 17 |
| H129207 | 8D16 | 8 | 121 - 47 | H129823 | 9D2 | 12 | 130 - 35 | H130302 | 6C10 | 8 | 90 - 17 |
| H129207 | 8D24 | 18 | 121 - 55 | H129825 | 9D2 | 17 | 130 - 35 | H130303 | 6C10 | 15 | 90 - 17 |
| H129207 | 8I3 | 5 | 125 - 59 | H129833 | 5I2 | 16 | 80 - 37 | H130349 | 5G17 | 10 | 80 - 3 |
| H129208 | 8E12 | 17 | 121 - 67 | H129833 | 9C23 | 28 | 130 - 31 | H130362 | 5I10 | 18 | 80 - 45 |
| H129208 | 8E16 | 16B | 121 - 71 | H129833 | 9C23 | 45 | 130 - 31 | H130362 | 6C20 | 7 | 90 - 27 |
| H129208 | 8E16 | 28 | 121 - 71 | H129839 | 2F18 | 22 | 30 - 3 | H130362 | 6C22 | 9 | 90 - 29 |
| H129208 | 8E18 | 5 | 121 - 73 | H129843 | 5I2 | 14 | 80 - 37 | H130363 | 5I10 | 6 | 80 - 45 |
| H129212 | 3G23 | 4 | 40 - 129 | H129843 | 5I4 | 18 | 80 - 39 | H130363 | 9C23 | 43 | 130 - 31 |
| H129248 | 1C2 | 3 | 20 - 9 | H129844 | 8C14 | 3 | 121 - 21 | H130364 | 5I10 | 3 | 80 - 45 |
| H129249 | 1C4 | 10 | 20 - 11 | H129844 | 8C16 | 3 | 121 - 23 | H130374 | 6E19 | 5 | 90 - 77 |
| H129311 | 8D16 | 4 | 121 - 47 | H129845 | 8C14 | 9 | 121 - 21 | H130388 | 4I2 | 7 | 60 - 39 |
| H129312 | 8D16 | 2 | 121 - 47 | H129854 | 4C17 | 12 | 50 - 22 | H130407 | 4C24 | 6 | 50 - 29 |
| H129328 | 5G8 | 20 | 70 - 115 | H129855 | 9D6 | 5 | 130 - 39 | H130409 | 8C8 | 12 | 121 - 15 |
| H129367 | 3C10 | 31 | 40 - 15 | H129885 | 5H12 | 5 | 80 - 23 | H130409 | 8C14 | 16 | 121 - 21 |
| H129389 | 9B24 | 3 | 130 - 7 | H129885 | 9C23 | 1 | 130 - 31 | H130409 | 8C16 | 16 | 121 - 23 |
| H129406 | 5I2 | 13 | 80 - 37 | H129887 | 3C16 | 3 | 40 - 23 | H130424 | 5H10 | 2 | 80 - 21 |
| H129406 | 5I4 | 17 | 80 - 39 | H129887 | 3C22 | 2 | 40 - 29 | H130425 | 5H10 | 12 | 80 - 21 |
| H129440 | 3B23 | 2 | 40 - 3 | H129934 | 8B23 | 12 | 121 - 5 | H130431 | 5H10 | 6 | 80 - 21 |
| H129467 | 9D24 | 9 | 130 - 56 | H129935 | 8B23 | 16 | 121 - 5 | H130432 | 5H10 | 5 | 80 - 21 |
| H129468 | 9D24 | 6 | 130 - 56 | H129940 | 3C4 | 2 | 40 - 9 | H130448 | 3C10 | 10 | 40 - 15 |
| H129471 | 9D24 | 4 | 130 - 56 | H129940 | 3D20 | 2 | 40 - 53 | H130448 | 3C10 | 24 | 40 - 15 |
| H129472 | 9D24 | 3 | 130 - 56 | H130016 | 1C14 | 1 | 20 - 21 | H130449 | 3C10 | 27 | 40 - 15 |
| H129525 | 4C20 | 34 | 50 - 25 | H130017 | 1C14 | 4 | 20 - 21 | H130450 | 3C10 | 17 | 40 - 15 |
| H129550 | 9D8 | 23 | 130 - 41 | H130039 | 5I2 | 11A | 80 - 37 | H130451 | 4F14 | 14 | 50 - 93 |
| H129553 | 6D1 | 1 | 90 - 33 | H130040 | 6G13 | 17 | 110 - 21 | H130451 | 4F16 | 9 | 50 - 95 |
| H129557 | 4C17 | 9 | 50 - 22 | H130040 | 6G17 | 12 | 110 - 25 | H130451 | 5F22 | 14 | 70 - 105 |
| H129558 | 4C22 | 22 | 50 - 27 | H130057 | 5H4 | 11 | 80 - 15 | H130451 | 5F24 | 8 | 70 - 107 |
| H129564 | 4C20 | 26 | 50 - 25 | H130057 | 5H8 | 11 | 80 - 19 | H130452 | 4F14 | 7 | 50 - 93 |
| H129564 | 4C22 | 11 | 50 - 27 | H130057 | 7B21 | 6 | 120 - 3 | H130452 | 5F22 | 7 | 70 - 105 |
| H129565 | 4C20 | 27 | 50 - 25 | H130058 | 3C2 | 2 | 40 - 7 | H130453 | 3C10 | 39 | 40 - 15 |
| H129567 | 4C22 | 12 | 50 - 27 | H130058 | 6D3 | 2 | 90 - 35 | H130454 | 3C10 | 22 | 40 - 15 |
| H129569 | 4C20 | 28 | 50 - 25 | H130068 | 6E6 | 4 | 90 - 63 | H130455 | 3C10 | 20 | 40 - 15 |
| H129588 | 5F8 | 2 | 70 - 91 | H130091 | 6E19 | 23 | 90 - 77 | H130511 | 3C16 | 9 | 40 - 23 |
| H129588 | 9C23 | 16 | 130 - 31 | H130137 | 9D4 | 15 | 130 - 37 | H130511 | 3C18 | 8 | 40 - 25 |
| H129606 | 6B23 | 3 | 90 - 5 | H130140 | 8B21 | 10 | 121 - 3 | H130515 | 6D1 | 6 | 90 - 33 |
| H129607 | 2F18 | 16 | 30 - 3 | H130152 | 3B25 | 4 | 40 - 5 | H130520 | 3D8 | 25 | 40 - 41 |
| H129610 | 6C12 | 6 | 90 - 19 | H130153 | 3B25 | 10 | 40 - 5 | H130520 | 9E14 | 11 | 160 - 5 |
| H129653 | 9D4 | 20 | 130 - 37 | H130166 | 6D16 | 13 | 90 - 49 | H130521 | 5I4 | 15A | 80 - 39 |
| H129658 | 6G22 | 15 | 110 - 31 | H130190 | 4G22 | 3 | 60 - 11 | H130528 | 6H6 | 7 | 110 - 39 |
| H129659 | 6H10 | 6 | 110 - 43 | H130191 | 4G22 | 1 | 60 - 11 | H130529 | 6H6 | 10 | 110 - 39 |
| H129676 | 8C18 | 17 | 121 - 25 | H130192 | 4H12 | 24 | 60 - 25 | H130530 | 6H6 | 2 | 110 - 39 |
| H129681 | 6G22 | 14 | 110 - 31 | H130192 | 4H14 | 11 | 60 - 27 | H130530 | 6I4 | 10 | 110 - 59 |
| H129681 | 6H10 | 17 | 110 - 43 | H130192 | 6E15 | 24 | 90 - 73 | H130555 | 5H12 | 1 | 80 - 23 |
| H129683 | 1B22 | 5 | 20 - 5 | H130192 | 6E17 | 11 | 90 - 75 | H130571 | 6H10 | 14 | 110 - 43 |
| H129686 | 3C2 | 8 | 40 - 7 | H130192 | 6F15 | 9 | 90 - 99 | H130572 | 7D10 | 25 | 120 - 41 |
| H129686 | 6D3 | 8 | 90 - 35 | H130194 | 3B25 | 15 | 40 - 5 | H130615 | 5H14 | 1 | 80 - 25 |
| H129709 | 4I5 | 7 | 60 - 42 | H130194 | 6F15 | 10 | 90 - 99 | H130636 | 5H22 | 13A | 80 - 33 |
| H129709 | 4I6 | 6 | 60 - 43 | H130195 | 3C2 | 3 | 40 - 7 | H130637 | 3E12 | 19 | 40 - 69 |
| H129715 | 4E19 | 31 | 50 - 73 | H130195 | 6D3 | 3 | 90 - 35 | H130637 | 3E14 | 1 | 40 - 71 |
| H129716 | 8H22 | 35 | 125 - 53 | H130195 | 6F15 | 11 | 90 - 99 | H130646 | 6D7 | 9 | 90 - 39 |
| H129716 | 9D4 | 11 | 130 - 37 | H130223 | 4I6 | 12 | 60 - 43 | H130646 | 6F25 | 9 | 110 - 7 |
| H129723 | 3C10 | 1 | 40 - 15 | H130224 | 4I6 | 11 | 60 - 43 | H130661 | 8H22 | 20 | 125 - 53 |
| H129723 | 3C10 | 33 | 40 - 15 | H130225 | 4I11 | 10 | 60 - 48 | H130667 | 8H22 | 9 | 125 - 53 |
| H129749 | 4B22 | 4 | 50 - 3 | H130225 | 4I12 | 10 | 60 - 49 | H130771 | 9D6 | 10 | 130 - 39 |
| H129760 | 5H14 | 5 | 80 - 25 | H130226 | 4I12 | 10 | 60 - 49 | H130771 | 9D6 | .. | 130 - 39 |
| H129760 | 6C14 | 13 | 90 - 21 | H130227 | 4I12 | 7 | 60 - 49 | H130904 | 8C8 | 3 | 121 - 15 |
| H129760 | 6C16 | 5 | 90 - 23 | H130228 | 4I12 | 11 | 60 - 49 | H130904 | 8C20 | 3 | 121 - 27 |
| H129761 | 6C14 | 12 | 90 - 21 | H130246 | 5G21 | 18 | 80 - 7 | H130922 | 7E10 | 10 | 120 - 65 |
| H129761 | 6C16 | 4 | 90 - 23 | H130262 | 9C21 | 31 | 130 - 29 | H130930 | 5H24 | 3 | 80 - 35 |
| H129763 | 6C14 | 2 | 90 - 21 | H130287 | 4C8 | 7 | 50 - 13 | H130930 | 8H22 | 4 | 125 - 53 |
| H129763 | 6C16 | 10 | 90 - 23 | H130287 | 4C9 | 9 | 50 - 14 | H130930 | 9B24 | 6 | 130 - 7 |
| H129765 | 5G8 | 23 | 70 - 115 | H130288 | 4C8 | 8 | 50 - 13 | H130948 | 8F21 | 16 | 125 - 3 |
| H129803 | 9D2 | 9 | 130 - 35 | H130288 | 4C9 | 10 | 50 - 14 | H130949 | 8F21 | 8 | 125 - 3 |
| H129814 | 9D2 | 15 | 130 - 35 | H130298 | 3C3 | 5 | 40 - 8 | H130956 | 8I1 | 3 | 125 - 57 |
| H129815 | 9D2 | 20 | 130 - 35 | H130298 | 6F15 | 12 | 90 - 99 | H130957 | 8G12 | 18 | 125 - 19 |
| H129816 | 9D2 | 16 | 130 - 35 | H130299 | 3C3 | 4 | 40 - 8 | H130957 | 8I1 | 4 | 125 - 57 |

NUMERICAL INDEX - CONTINUED

| PART NO. | GRID | KEY | PAGE | PART NO. | GRID | KEY | PAGE | PART NO. | GRID | KEY | PAGE |
|----------|------|-----|----------|----------|------|-----|----------|----------|------|-----|-----------|
| H130967 | 5G21 | 28 | 80 - 7 | H131470 | 5H24 | 2 | 80 - 35 | H132126 | 4C6 | 2 | 50 - 11 |
| H130968 | 5G21 | 35 | 80 - 7 | H131482 | 8D12 | 5 | 121 - 43 | H132126 | 4C7 | 2 | 50 - 12 |
| H131001 | 7C16 | 13 | 120 - 23 | H131485 | 8D12 | 11 | 121 - 43 | H132160 | 7E4 | 2 | 120 - 59 |
| H131017 | 3D16 | 4 | 40 - 49 | H131516 | 7F2 | 3 | 120 - 79 | H132160 | 7E6 | 2 | 120 - 61 |
| H131021 | 9G7 | 10 | 170 - 41 | H131526 | 5H4 | 1 | 80 - 15 | H132160 | 7E16 | 11 | 120 - 69 |
| H131040 | 4C14 | 6 | 50 - 19 | H131526 | 5H8 | 1 | 80 - 19 | H132161 | 7E4 | 2 | 120 - 59 |
| H131040 | 6D5 | 6 | 90 - 37 | H131526 | 5H10 | 10 | 80 - 21 | H132161 | 7E6 | 2 | 120 - 61 |
| H131041 | 4C14 | 7 | 50 - 19 | H131531 | 3C10 | 37 | 40 - 15 | H132207 | 8D20 | 10 | 121 - 51 |
| H131041 | 6D5 | 7 | 90 - 37 | H131531 | 7F2 | 16 | 120 - 79 | H132207 | 8E2 | 19 | 121 - 57 |
| H131087 | 6H4 | 13 | 110 - 37 | H131531 | 9C21 | 25 | 130 - 29 | H132228 | 9B24 | 9 | 130 - 7 |
| H131088 | 6H4 | 15 | 110 - 37 | H131531 | 9C23 | 32 | 130 - 31 | H132288 | 7E4 | 12 | 120 - 59 |
| H131090 | 6H4 | 22 | 110 - 37 | H131531 | 9D2 | 10 | 130 - 35 | H132288 | 7E12 | 9 | 120 - 67 |
| H131098 | 8D22 | 33 | 121 - 53 | H131543 | 5I8 | 6 | 80 - 43 | H132288 | 7E14 | 10 | 120 - 67B |
| H131108 | 7D12 | 1 | 120 - 43 | H131574 | 3D8 | 13 | 40 - 41 | H132289 | 7E20 | 9 | 120 - 73 |
| H131115 | 4E21 | 18 | 50 - 75 | H131591 | 5B22 | 11 | 70 - 3 | H132290 | 7E16 | 3 | 120 - 69 |
| H131115 | 4E23 | 15 | 50 - 77 | H131591 | 6D1 | 4 | 90 - 33 | H132291 | 7E4 | 11 | 120 - 59 |
| H131115 | 4F6 | 18 | 50 - 85 | H131591 | 6D9 | 3 | 90 - 41 | H132291 | 7E12 | 8 | 120 - 67 |
| H131115 | 4G16 | 11 | 60 - 5 | H131591 | 6F15 | 13 | 90 - 99 | H132291 | 7E14 | 11 | 120 - 67B |
| H131115 | 4H18 | 14 | 60 - 31 | H131591 | 6F17 | 4 | 90 - 101 | H132292 | 7E20 | 8 | 120 - 73 |
| H131115 | 5C18 | 18 | 70 - 23 | H131595 | 3D4 | 19 | 40 - 37 | H132293 | 7E16 | 2 | 120 - 69 |
| H131115 | 5C20 | 22 | 70 - 25 | H131612 | 8F23 | 16 | 125 - 5 | H132298 | 8E2 | 7 | 121 - 57 |
| H131115 | 5D2 | 25 | 70 - 31 | H131612 | 8G6 | 9 | 125 - 13 | H132328 | 6F23 | 24 | 110 - 5 |
| H131115 | 5D4 | 19 | 70 - 33 | H131614 | 8G10 | 28 | 125 - 17 | H132383 | 4I9 | 3 | 60 - 46 |
| H131115 | 5D19 | 5 | 70 - 49 | H131626 | 6C12 | 3 | 90 - 19 | H132390 | 8B23 | 2 | 121 - 5 |
| H131121 | 4D7 | 25 | 50 - 36 | H131628 | 5I10 | 8 | 80 - 45 | H132400 | 8C2 | 5 | 121 - 9 |
| H131121 | 4D14 | 25 | 50 - 43 | H131628 | 9C23 | 21 | 130 - 31 | H132451 | 3G11 | 11 | 40 - 117 |
| H131121 | 4G7 | 6 | 50 - 111 | H131638 | 8I5 | 18 | 125 - 61 | H132451 | 6D9 | 12 | 90 - 41 |
| H131121 | 5E25 | 2A | 70 - 83 | H131639 | 8I5 | 17 | 125 - 61 | H132452 | 6C2 | 10 | 90 - 9 |
| H131154 | 4E21 | 11 | 50 - 75 | H131661 | 7F2 | 22 | 120 - 79 | H132452 | 6D18 | 5 | 90 - 51 |
| H131154 | 4E25 | 9 | 50 - 79 | H131673 | 9C21 | 20 | 130 - 29 | H132511 | 5G21 | 10 | 80 - 7 |
| H131155 | 4E21 | 14 | 50 - 75 | H131674 | 9C21 | 17 | 130 - 29 | H132513 | 3D10 | 1 | 40 - 43 |
| H131155 | 4F6 | 14 | 50 - 85 | H131675 | 9C21 | 15 | 130 - 29 | H132527 | 3D4 | 6 | 40 - 37 |
| H131161 | 8F23 | 7 | 125 - 5 | H131703 | 4G24 | 14 | 60 - 13 | H132538 | 6E23 | 23 | 90 - 81 |
| H131163 | 4H18 | 3 | 60 - 31 | H131720 | 6C6 | 9 | 90 - 13 | H132538 | 9C23 | 24 | 130 - 31 |
| H131163 | 5B24 | 15 | 70 - 5 | H131721 | 6C6 | 11 | 90 - 13 | H132539 | 5G17 | 8 | 80 - 3 |
| H131163 | 5C20 | 7 | 70 - 25 | H131743 | 5H4 | 13 | 80 - 15 | H132539 | 9B20 | 6 | 130 - 3 |
| H131163 | 5D2 | 13 | 70 - 31 | H131743 | 5H8 | 13 | 80 - 19 | H132540 | 7D6 | 18 | 120 - 37 |
| H131169 | 8D22 | .. | 121 - 53 | H131743 | 6G13 | 3 | 110 - 21 | H132541 | 7D2 | 1 | 120 - 33 |
| H131169 | 9E17 | 4 | 170 - 2 | H131754 | 4C8 | 11 | 50 - 13 | H132541 | 7D6 | 14 | 120 - 37 |
| H131170 | 8D20 | 11 | 121 - 51 | H131754 | 4C9 | 12 | 50 - 14 | H132542 | 9C21 | 23 | 130 - 29 |
| H131186 | 4H14 | 31 | 60 - 27 | H131754 | 4D2 | 9 | 50 - 31 | H132554 | 4C24 | 11 | 50 - 29 |
| H131186 | 6E17 | 31 | 90 - 75 | H131754 | 4E19 | 3 | 50 - 73 | H132597 | 3D4 | 8 | 40 - 37 |
| H131227 | 9C23 | 14 | 130 - 31 | H131865 | 7F12 | 1A | 120 - 89 | H132618 | 4C22 | 13 | 50 - 27 |
| H131228 | 8C8 | 2 | 121 - 15 | H131865 | 8H14 | 1 | 125 - 45 | H132661 | 3B25 | 11 | 40 - 5 |
| H131230 | 9C23 | 4 | 130 - 31 | H131865 | 8H16 | 3 | 125 - 47 | H132662 | 6E23 | 13 | 90 - 81 |
| H131255 | 9D10 | 3 | 130 - 43 | H131865 | 9C25 | 3 | 130 - 33 | H132662 | 6F13 | 24 | 90 - 97 |
| H131258 | 9D10 | 12 | 130 - 43 | H131876 | 5I12 | 22 | 80 - 47 | H132662 | 9C23 | 10 | 130 - 31 |
| H131261 | 9D10 | 9 | 130 - 43 | H131878 | 7C10 | 14 | 120 - 17 | H132666 | 3F7 | .. | 40 - 88 |
| H131262 | 9D12 | 13 | 130 - 45 | H131948 | 1B20 | 24 | 20 - 3 | H132666 | 9C21 | 32 | 130 - 29 |
| H131263 | 9D12 | 12 | 130 - 45 | H131948 | 1C2 | 21 | 20 - 9 | H132686 | 3F7 | 7 | 40 - 88 |
| H131264 | 9C23 | 3 | 130 - 31 | H131949 | 1B20 | 22 | 20 - 3 | H132687 | 3F7 | 3 | 40 - 88 |
| H131296 | 4C20 | 11 | 50 - 25 | H131982 | 3B21 | 4 | 40 - 1 | H132708 | 8H22 | 3 | 125 - 53 |
| H131297 | 4C20 | 14 | 50 - 25 | H131985 | 3B21 | 1 | 40 - 1 | H132777 | 4C22 | 1 | 50 - 27 |
| H131298 | 6B21 | 1 | 90 - 3 | H131986 | 7D2 | 16 | 120 - 33 | H132780 | 3D6 | 22 | 40 - 39 |
| H131299 | 6B21 | 2 | 90 - 3 | H131987 | 7D2 | 18 | 120 - 33 | H132793 | 5G21 | 32 | 80 - 7 |
| H131300 | 6B21 | 13 | 90 - 3 | H131988 | 7C18 | 12 | 120 - 25 | H132795 | 3B25 | 13 | 40 - 5 |
| H131301 | 6B21 | 11 | 90 - 3 | H131989 | 7C16 | 22 | 120 - 23 | H132795 | 3D6 | 18 | 40 - 39 |
| H131302 | 3B23 | 4 | 40 - 3 | H131996 | 4F24 | 12 | 50 - 103 | H132800 | 3D8 | 19 | 40 - 41 |
| H131319 | 7E18 | 1 | 120 - 71 | H132008 | 5I4 | 5 | 80 - 39 | H132800 | 3H4 | 4 | 40 - 135 |
| H131336 | 7D14 | 6 | 120 - 45 | H132011 | 4B24 | 26 | 50 - 5 | H132800 | 9E14 | 13 | 160 - 5 |
| H131356 | 9D8 | 25 | 130 - 41 | H132024 | 9C21 | 9 | 130 - 29 | H132808 | 1C2 | 4 | 20 - 9 |
| H131362 | 5I12 | 19 | 80 - 47 | H132057 | 7C22 | 12 | 120 - 29 | H132808 | 1C4 | 24 | 20 - 11 |
| H131424 | 4H14 | 7 | 60 - 27 | H132057 | 7C24 | 4 | 120 - 31 | H132808 | 9E18 | 1 | 170 - 3 |
| H131424 | 6E8 | 10 | 90 - 65 | H132088 | 9C15 | 26 | 130 - 23 | H132811 | 9G7 | 12 | 170 - 41 |
| H131424 | 6E17 | 7 | 90 - 75 | H132097 | 9D12 | 9 | 130 - 45 | H132812 | 3E2 | 6 | 40 - 59 |
| H131424 | 6F15 | 15 | 90 - 99 | H132122 | 8F6 | 4 | 121 - 85 | H132813 | 3E2 | 6 | 40 - 59 |
| H131451 | 6H2 | 3 | 110 - 35 | H132122 | 8F8 | 4 | 121 - 87 | H132820 | 7C18 | 23A | 120 - 25 |

1K15

9600 MAXIMIZER COMBINE

NUMERICAL INDEX - CONTINUED

| PART NO. | GRID | KEY | PAGE | PART NO. | GRID | KEY | PAGE | PART NO. | GRID | KEY | PAGE |
|----------|------|-----|----------|----------|------|-----|----------|----------|------|-----|----------|
| H132820 | 7D2 | 20A | 120 - 33 | H133098 | 4C16 | 3 | 50 - 21 | H133579 | 9D21 | 15 | 130 - 53 |
| H132821 | 7C18 | 1A | 120 - 25 | H133100 | 6E8 | 28 | 90 - 65 | H133584 | 9C21 | 1 | 130 - 29 |
| H132822 | 5I2 | 12 | 80 - 37 | H133105 | 7B19 | 1 | 120 - 1 | H133597 | 7E10 | 17 | 120 - 65 |
| H132822 | 5I4 | 16 | 80 - 39 | H133106 | 4H14 | 15 | 60 - 27 | H133597 | 7E18 | 23 | 120 - 71 |
| H132825 | 6G5 | 8 | 110 - 13 | H133106 | 6E17 | 15 | 90 - 75 | H133597 | 8D22 | 56 | 121 - 53 |
| H132837 | 5E21 | 5A | 70 - 78 | H133143 | 9B20 | 14 | 130 - 3 | H133599 | 7E10 | 13 | 120 - 65 |
| H132853 | 5E21 | 3 | 70 - 78 | H133152 | 5H12 | 19 | 80 - 23 | H133600 | 7E18 | 22 | 120 - 71 |
| H132857 | 5I8 | 7 | 80 - 43 | H133153 | 5H12 | 18 | 80 - 23 | H133601 | 7E18 | 22 | 120 - 71 |
| H132892 | 4C20 | 12 | 50 - 25 | H133165 | 4C20 | 22 | 50 - 25 | H133602 | 7E10 | 13 | 120 - 65 |
| H132892 | 4C22 | 3 | 50 - 27 | H133178 | 3E14 | 15 | 40 - 71 | H133603 | 8D22 | 47 | 121 - 53 |
| H132893 | 4C20 | 12 | 50 - 25 | H133178 | 9D8 | 14 | 130 - 41 | H133618 | 8C20 | 12 | 121 - 27 |
| H132893 | 4C22 | 3 | 50 - 27 | H133199 | 8E4 | 4 | 121 - 59 | H133621 | 8D22 | 52 | 121 - 53 |
| H132894 | 4C20 | 12 | 50 - 25 | H133199 | 8E6 | 4 | 121 - 61 | H133631 | 7C18 | 20 | 120 - 25 |
| H132894 | 4C22 | 3 | 50 - 27 | H133199 | 8E8 | 4 | 121 - 63 | H133631 | 7C24 | 2 | 120 - 31 |
| H132895 | 4H12 | 7 | 60 - 25 | H133201 | 4C24 | 13 | 50 - 29 | H133633 | 7C18 | 10 | 120 - 25 |
| H132895 | 6E15 | 7 | 90 - 73 | H133202 | 4C24 | 14 | 50 - 29 | H133633 | 7D2 | 12 | 120 - 33 |
| H132897 | 4H12 | 27 | 60 - 25 | H133205 | 4H12 | 14 | 60 - 25 | H133634 | 4C8 | 15 | 50 - 13 |
| H132897 | 6E15 | 27 | 90 - 73 | H133205 | 4H14 | 1 | 60 - 27 | H133635 | 4C9 | 17 | 50 - 14 |
| H132899 | 4H12 | 20 | 60 - 25 | H133205 | 6E8 | 12 | 90 - 65 | H133636 | 4C14 | 9 | 50 - 19 |
| H132899 | 6E15 | 20 | 90 - 73 | H133205 | 6E15 | 14 | 90 - 73 | H133636 | 6D5 | 9 | 90 - 37 |
| H132899 | 6F15 | 16 | 90 - 99 | H133205 | 6E17 | 1 | 90 - 75 | H133638 | 9C19 | 9 | 130 - 27 |
| H132900 | 3C3 | 1 | 40 - 8 | H133208 | 6D7 | 11 | 90 - 39 | H133638 | 9G13 | 4 | 170 - 47 |
| H132900 | 3F7 | 5 | 40 - 88 | H133208 | 6F25 | 11 | 110 - 7 | H133638 | 9G16 | 4 | 170 - 50 |
| H132901 | 8E20 | 33 | 121 - 75 | H133210 | 6D7 | 7 | 90 - 39 | H133639 | 9G4 | 11 | 170 - 37 |
| H132901 | 8E22 | 32 | 121 - 77 | H133210 | 6F25 | 7 | 110 - 7 | H133639 | 9G9 | 26 | 170 - 43 |
| H132902 | 8E24 | 1 | 121 - 79 | H133219 | 6C4 | 17 | 90 - 11 | H133640 | 9G4 | 3 | 170 - 37 |
| H132902 | 8F2 | 6 | 121 - 81 | H133229 | 4C8 | 10 | 50 - 13 | H133640 | 9G9 | 20 | 170 - 43 |
| H132906 | 8H18 | 6 | 125 - 49 | H133229 | 4C9 | 13 | 50 - 14 | H133641 | 9G13 | 2 | 170 - 47 |
| H132922 | 6F13 | 11 | 90 - 97 | H133229 | 4D2 | 6 | 50 - 31 | H133642 | 9G7 | 2 | 170 - 41 |
| H132926 | 5G17 | 20 | 80 - 3 | H133229 | 4E19 | 4 | 50 - 73 | H133643 | 9G7 | 14 | 170 - 41 |
| H132937 | 8E14 | 11 | 121 - 69 | H133230 | 4C8 | 12 | 50 - 13 | H133645 | 3E12 | 11 | 40 - 69 |
| H132938 | 8E14 | 16 | 121 - 69 | H133230 | 4D2 | 8 | 50 - 31 | H133645 | 3E14 | 2 | 40 - 71 |
| H132948 | 5I8 | 4 | 80 - 43 | H133231 | 4C9 | 14 | 50 - 14 | H133648 | 7D10 | 3 | 120 - 41 |
| H132949 | 5I8 | 10 | 80 - 43 | H133231 | 4E19 | 2 | 50 - 73 | H133655 | 9B20 | 15 | 130 - 3 |
| H132965 | 3C10 | 15 | 40 - 15 | H133242 | 4C8 | 14 | 50 - 13 | H133659 | 4E25 | 1 | 50 - 79 |
| H132970 | 5G8 | 19 | 70 - 115 | H133243 | 4C9 | 16 | 50 - 14 | H133659 | 4F2 | 1 | 50 - 81 |
| H132976 | 8E20 | 31 | 121 - 75 | H133244 | 4C8 | 14 | 50 - 13 | H133659 | 4F4 | 22 | 50 - 83 |
| H132976 | 8E22 | 30 | 121 - 77 | H133246 | 4C8 | 14 | 50 - 13 | H133659 | 4F8 | 1 | 50 - 87 |
| H132986 | 6H8 | 8 | 110 - 41 | H133287 | 7E22 | 4 | 120 - 75 | H133659 | 4G16 | 13 | 60 - 5 |
| H132988 | 6H8 | 6 | 110 - 41 | H133288 | 7E22 | 2 | 120 - 75 | H133659 | 4H18 | 19 | 60 - 31 |
| H132992 | 5G21 | 33 | 80 - 7 | H133320 | 4I4 | 2 | 60 - 41 | H133659 | 5D24 | 5 | 70 - 55 |
| H132995 | 8C6 | 19 | 121 - 13 | H133327 | 6C14 | 25 | 90 - 21 | H133660 | 4C14 | 8 | 50 - 19 |
| H132998 | 8F4 | 13 | 121 - 83 | H133344 | 4E17 | 5 | 50 - 71 | H133660 | 6D5 | 8 | 90 - 37 |
| H133008 | 4C22 | 9 | 50 - 27 | H133351 | 4H4 | 27 | 60 - 17 | H133662 | 4C14 | 14 | 50 - 19 |
| H133010 | 4C22 | 10 | 50 - 27 | H133352 | 4C10 | 4 | 50 - 15 | H133662 | 6D5 | 14 | 90 - 37 |
| H133024 | 9E2 | 13 | 130 - 59 | H133384 | 3C4 | 5 | 40 - 9 | H133665 | 6B21 | 5 | 90 - 3 |
| H133025 | 9E2 | 26 | 130 - 59 | H133391 | 6B25 | 2 | 90 - 7 | H133666 | 6B21 | 7 | 90 - 3 |
| H133026 | 9E2 | 17 | 130 - 59 | H133408 | 8D18 | 11 | 121 - 49 | H133667 | 8D14 | 7 | 121 - 45 |
| H133031 | 8I1 | 8 | 125 - 57 | H133409 | 8D18 | 12A | 121 - 49 | H133669 | 4F24 | 16 | 50 - 103 |
| H133042 | 5G21 | 23 | 80 - 7 | H133413 | 6C4 | 10A | 90 - 11 | H133671 | 4F24 | 13 | 50 - 103 |
| H133047 | 4C14 | 20 | 50 - 19 | H133414 | 6C4 | 5 | 90 - 11 | H133674 | 4F14 | 20 | 50 - 93 |
| H133047 | 6D5 | 20 | 90 - 37 | H133415 | 6C4 | 12A | 90 - 11 | H133675 | 5G6 | 14 | 70 - 113 |
| H133049 | 1C6 | 2A | 20 - 13 | H133470 | 5F6 | 8 | 70 - 89 | H133686 | 8I5 | 29 | 125 - 61 |
| H133051 | 1C6 | 2A | 20 - 13 | H133488 | 9G4 | 4 | 170 - 37 | H133688 | 5F8 | 10 | 70 - 91 |
| H133051 | 1C6 | 2B | 20 - 13 | H133488 | 9G7 | 5 | 170 - 41 | H133690 | 5F8 | 12 | 70 - 91 |
| H133051 | 1C6 | 4 | 20 - 13 | H133489 | 8E2 | 27 | 121 - 57 | H133690 | 9E2 | 31 | 130 - 59 |
| H133060 | 4H16 | 8 | 60 - 29 | H133508 | 6G22 | 22 | 110 - 31 | H133733 | 1C6 | 3A | 20 - 13 |
| H133060 | 6H8 | 5 | 110 - 41 | H133508 | 6G24 | 19 | 110 - 33 | H133738 | 4G14 | 8 | 60 - 3 |
| H133080 | 7D20 | 30 | 120 - 51 | H133514 | 6C14 | 20 | 90 - 21 | H133739 | 4G14 | 11 | 60 - 3 |
| H133088 | 4D2 | 3 | 50 - 31 | H133514 | 6C16 | 13 | 90 - 23 | H133740 | 4G14 | 13 | 60 - 3 |
| H133089 | 4C16 | 2 | 50 - 21 | H133532 | 1C6 | 12 | 20 - 13 | H133741 | 4G14 | 16 | 60 - 3 |
| H133090 | 4C16 | 9 | 50 - 21 | H133541 | 8I5 | 2 | 125 - 61 | H133742 | 4G14 | 10 | 60 - 3 |
| H133091 | 4C16 | 9 | 50 - 21 | H133576 | 1B18 | 3 | 20 - 1 | H133743 | 4G14 | 4 | 60 - 3 |
| H133092 | 4C16 | 5 | 50 - 21 | H133576 | 9E18 | 2 | 170 - 3 | H133745 | 4G14 | 7 | 60 - 3 |
| H133094 | 4C17 | 1 | 50 - 22 | H133577 | 1B20 | 45 | 20 - 3 | H133747 | 4G14 | 12 | 60 - 3 |
| H133096 | 4C16 | 3 | 50 - 21 | H133577 | 1C4 | 23 | 20 - 11 | H133748 | 4G14 | 20 | 60 - 3 |
| H133097 | 4C16 | 3 | 50 - 21 | H133577 | 9E18 | 3 | 170 - 3 | H133751 | 1C6 | 9 | 20 - 13 |

1K16

9600 MAXIMIZER COMBINE

NUMERICAL INDEX - CONTINUED

| PART NO. | GRID | KEY | PAGE | PART NO. | GRID | KEY | PAGE | PART NO. | GRID | KEY | PAGE |
|----------|------|-----|--------|----------|------|-----|--------|----------|------|-----|--------|
| H133768 | 7E24 | 5 | 120-77 | H134153 | 7B23 | 14 | 120-5 | H134425 | 5D2 | 17 | 70-31 |
| H133788 | 7E24 | 9 | 120-77 | H134153 | 7B25 | 14 | 120-7 | H134426 | 4H16 | 21 | 60-29 |
| H133812 | 8E20 | 14 | 121-75 | H134156 | 7B25 | 3 | 120-7 | H134426 | 5B24 | 7 | 70-5 |
| H133812 | 8E22 | 14 | 121-77 | H134159 | 7B25 | 1 | 120-7 | H134426 | 5C20 | 13 | 70-25 |
| H133824 | 3E12 | 8 | 40-69 | H134162 | 7B23 | 15 | 120-5 | H134426 | 5D2 | 20 | 70-31 |
| H133824 | 3E14 | 4 | 40-71 | H134162 | 7B25 | 15 | 120-7 | H134427 | 4H16 | 22 | 60-29 |
| H133827 | 4G12 | 17 | 60-1 | H134164 | 7B23 | 18 | 120-5 | H134427 | 5B24 | 5 | 70-5 |
| H133828 | 9C23 | 15 | 130-31 | H134164 | 7B25 | 18 | 120-7 | H134427 | 5C20 | 12 | 70-25 |
| H133843 | 6G13 | 4 | 110-21 | H134164 | 7C2 | 18 | 120-9 | H134427 | 5D2 | 18 | 70-31 |
| H133851 | 3G7 | 3 | 40-113 | H134165 | 7B23 | 9 | 120-5 | H134428 | 4H18 | 7 | 60-31 |
| H133852 | 3G7 | 1 | 40-113 | H134165 | 7B25 | 9 | 120-7 | H134428 | 5C20 | 20 | 70-25 |
| H133875 | 4D2 | 10 | 50-31 | H134165 | 7C2 | 9 | 120-9 | H134428 | 5D2 | 24 | 70-31 |
| H133970 | 2G10 | 12 | 30-19 | H134167 | 7B19 | 4 | 120-1 | H134429 | 5C16 | 15 | 70-21 |
| H133973 | 2G10 | 3 | 30-19 | H134169 | 3C10 | 4 | 40-15 | H134429 | 5C24 | 7 | 70-29 |
| H133981 | 3G7 | 6 | 40-113 | H134171 | 3D16 | 6 | 40-49 | H134434 | 4H18 | 11 | 60-31 |
| H133989 | 6G22 | 3 | 110-31 | H134172 | 3D16 | 7 | 40-49 | H134434 | 5C20 | 16 | 70-25 |
| H133989 | 6G24 | 3 | 110-33 | H134181 | 2F18 | 20 | 30-3 | H134434 | 5D2 | 22 | 70-31 |
| H133990 | 6G22 | 4 | 110-31 | H134188 | 1C4 | 22 | 20-11 | H134437 | 1C4 | 25 | 20-11 |
| H133990 | 6G24 | 4A | 110-33 | H134213 | 7D20 | 8A | 120-51 | H134437 | 6E25 | 17 | 90-83 |
| H133996 | 9G7 | 3 | 170-41 | H134214 | 1B20 | 25 | 20-3 | H134437 | 9E18 | 4 | 170-3 |
| H133998 | 3F4 | 6 | 40-85 | H134214 | 1C2 | 15 | 20-9 | H134442 | 4C3 | .. | 50-8 |
| H133998 | 3F5 | 6 | 40-86 | H134214 | 3E24 | 12 | 40-81 | H134442 | 4C5 | .. | 50-10 |
| H134000 | 3F4 | 3 | 40-85 | H134214 | 6E25 | 9 | 90-83 | H134442 | 9G11 | 3 | 170-45 |
| H134000 | 3F5 | 3 | 40-86 | H134228 | 7C16 | 6 | 120-23 | H134444 | 4C8 | 13 | 50-13 |
| H134003 | 6H4 | 3 | 110-37 | H134230 | 7C16 | 1 | 120-23 | H134444 | 4C9 | 15 | 50-14 |
| H134028 | 7D14 | 10 | 120-45 | H134232 | 7C16 | 4 | 120-23 | H134444 | 4D2 | 7 | 50-31 |
| H134029 | 7D14 | 1 | 120-45 | H134286 | 9C2 | 1 | 130-9 | H134444 | 4E19 | 32 | 50-73 |
| H134055 | 8I7 | 7 | 125-63 | H134287 | 9C2 | 2 | 130-9 | H134463 | 8D20 | 20A | 121-51 |
| H134055 | 8I9 | 7 | 125-65 | H134297 | 2F18 | 10 | 30-3 | H134464 | 5H4 | 11 | 80-15 |
| H134065 | 8I5 | 31 | 125-61 | H134298 | 2F18 | 9 | 30-3 | H134464 | 5H8 | 11 | 80-19 |
| H134068 | 8I5 | 6 | 125-61 | H134299 | 2F18 | 7 | 30-3 | H134470 | 4H16 | 16 | 60-29 |
| H134072 | 5G21 | 14 | 80-7 | H134300 | 2F24 | 2 | 30-9 | H134474 | 3F14 | 4 | 40-95 |
| H134073 | 5G21 | 15 | 80-7 | H134300 | 2G2 | 2 | 30-11 | H134475 | 3F14 | 5 | 40-95 |
| H134073 | 5H2 | 19 | 80-13 | H134306 | 5I10 | 11 | 80-45 | H134476 | 3F14 | 7 | 40-95 |
| H134073 | 5H6 | 19 | 80-17 | H134309 | 8H20 | 1 | 125-51 | H134488 | 6D7 | 5 | 90-39 |
| H134081 | 5H10 | 14 | 80-21 | H134315 | 8H20 | 2 | 125-51 | H134488 | 6F25 | 5 | 110-7 |
| H134085 | 6G7 | 13 | 110-15 | H134317 | 8H20 | 4 | 125-51 | H134489 | 6D7 | 4 | 90-39 |
| H134085 | 6G9 | 13 | 110-17 | H134317 | 8H24 | 2 | 125-55 | H134489 | 6F25 | 4 | 110-7 |
| H134085 | 6G11 | 13 | 110-19 | H134334 | 7B21 | 11 | 120-3 | H134506 | 5H4 | 14 | 80-15 |
| H134087 | 6G3 | 21 | 110-10 | H134337 | 7B21 | 17 | 120-3 | H134506 | 5H8 | 14 | 80-19 |
| H134087 | 6H12 | 16 | 110-45 | H134339 | 7B21 | 15 | 120-3 | H134519 | 5G23 | 9 | 80-9 |
| H134088 | 6H18 | 10 | 110-51 | H134343 | 4G24 | 8 | 60-13 | H134520 | 5G23 | 9 | 80-9 |
| H134103 | 5H2 | 23 | 80-13 | H134353 | 4H14 | 23 | 60-27 | H134525 | 5G25 | 5 | 80-11 |
| H134103 | 5H4 | 3 | 80-15 | H134353 | 6E17 | 23 | 90-75 | H134526 | 5G25 | 10 | 80-11 |
| H134103 | 5H8 | 3 | 80-19 | H134354 | 1B22 | 8 | 20-5 | H134530 | 5G23 | 4 | 80-9 |
| H134105 | 5H4 | 25 | 80-15 | H134357 | 7D14 | 5 | 120-45 | H134531 | 4D2 | 11 | 50-31 |
| H134105 | 5H8 | 25 | 80-19 | H134359 | 8D16 | 11 | 121-47 | H134531 | 4E19 | 1 | 50-73 |
| H134106 | 5H2 | 2 | 80-13 | H134367 | 3D2 | 25 | 40-35 | H134532 | 4H16 | 35 | 60-29 |
| H134106 | 5H6 | 2 | 80-17 | H134383 | 5H20 | 8A | 80-31 | H134535 | 6C6 | 5 | 90-13 |
| H134107 | 5H4 | 23 | 80-15 | H134387 | 8B23 | 21A | 121-5 | H134535 | 9F4 | 5 | 170-13 |
| H134107 | 5H8 | 23 | 80-19 | H134389 | 1C14 | 10 | 20-21 | H134535 | 9G4 | 9 | 170-37 |
| H134108 | 5H4 | 4 | 80-15 | H134396 | 2F18 | 12 | 30-3 | H134537 | 6C24 | 12 | 90-31 |
| H134108 | 5H8 | 4 | 80-19 | H134403 | 5G21 | 34 | 80-7 | H134544 | 6C20 | 11 | 90-27 |
| H134114 | 4C3 | 3 | 50-8 | H134409 | 1B22 | 9 | 20-5 | H134544 | 6C22 | 14 | 90-29 |
| H134114 | 4C4 | 8 | 50-9 | H134414 | 5H20 | 10 | 80-31 | H134547 | 4I5 | 4 | 60-42 |
| H134114 | 4C5 | 2 | 50-10 | H134417 | 3D8 | 24 | 40-41 | H134547 | 4I6 | 3 | 60-43 |
| H134117 | 2G4 | 24 | 30-13 | H134417 | 6I8 | 2 | 110-63 | H134548 | 4I5 | 9 | 60-42 |
| H134117 | 2G6 | 25 | 30-15 | H134417 | 9E14 | 10 | 160-5 | H134548 | 4I6 | 8 | 60-43 |
| H134117 | 2G8 | 5 | 30-17 | H134418 | 7C18 | 7 | 120-25 | H134549 | 4I6 | 2 | 60-43 |
| H134118 | 7E10 | 11 | 120-65 | H134420 | 7C18 | 8 | 120-25 | H134550 | 4I11 | 9 | 60-48 |
| H134118 | 7E18 | 19 | 120-71 | H134424 | 4H16 | 23 | 60-29 | H134550 | 4I12 | 9 | 60-49 |
| H134124 | 2G10 | 8 | 30-19 | H134424 | 5B24 | 10 | 70-5 | H134557 | 4I10 | 7 | 60-47 |
| H134140 | 6G13 | 16 | 110-21 | H134424 | 5C20 | 14 | 70-25 | H134558 | 4H16 | 7 | 60-29 |
| H134143 | 1C2 | 7 | 20-9 | H134424 | 5D2 | 19 | 70-31 | H134558 | 5C16 | 19 | 70-21 |
| H134144 | 1C2 | 10 | 20-9 | H134425 | 4H16 | 25 | 60-29 | H134558 | 5C24 | 11 | 70-29 |
| H134150 | 7B23 | 16 | 120-5 | H134425 | 5B24 | 8 | 70-5 | H134600 | 4C3 | 2 | 50-8 |
| H134150 | 7B25 | 16 | 120-7 | H134425 | 5C20 | 9 | 70-25 | H134600 | 4C4 | 7 | 50-9 |

NUMERICAL INDEX - CONTINUED

| PART NO. | GRID | KEY | PAGE | PART NO. | GRID | KEY | PAGE | PART NO. | GRID | KEY | PAGE |
|----------|------|-----|----------|----------|------|-----|----------|----------|------|-----|----------|
| H134600 | 4C5 | 1 | 50 - 10 | H134916 | 5G25 | 16 | 80 - 11 | H135405 | 9G9 | 17 | 170 - 43 |
| H134602 | 4H12 | 21A | 60 - 25 | H134917 | 5G25 | 17 | 80 - 11 | H135406 | 9G9 | 17 | 170 - 43 |
| H134602 | 6E15 | 21A | 90 - 73 | H134930 | 5H6 | 10 | 80 - 17 | H135407 | 5D9 | 1 | 70 - 39 |
| H134603 | 8H18 | 27 | 125 - 49 | H134931 | 5H2 | 12 | 80 - 13 | H135407 | 6G7 | 9 | 110 - 15 |
| H134603 | 8H23 | 8 | 125 - 54 | H134962 | 8I7 | 12 | 125 - 63 | H135409 | 6E19 | 31 | 90 - 77 |
| H134605 | 8H18 | 25 | 125 - 49 | H134963 | 8I7 | 13 | 125 - 63 | H135410 | 8D20 | 2 | 121 - 51 |
| H134606 | 8H23 | 7 | 125 - 54 | H134995 | 7D22 | 17 | 120 - 53 | H135410 | 8E2 | 13 | 121 - 57 |
| H134620 | 9F20 | 5 | 170 - 29 | H135017 | 8G10 | 40 | 125 - 17 | H135410 | 8E20 | 24 | 121 - 75 |
| H134620 | 9G2 | 4 | 170 - 35 | H135036 | 7C18 | 18 | 120 - 25 | H135410 | 8E22 | 23 | 121 - 77 |
| H134620 | 9G4 | 9 | 170 - 37 | H135037 | 7C18 | 18 | 120 - 25 | H135417 | 8E2 | 21 | 121 - 57 |
| H134620 | 9G15 | 6 | 170 - 49 | H135112 | 4C10 | 5 | 50 - 15 | H135417 | 9E19 | 4 | 170 - 4 |
| H134622 | 4H14 | 41A | 60 - 27 | H135114 | 3B25 | 11 | 40 - 5 | H135419 | 1C6 | 11 | 20 - 13 |
| H134622 | 6E17 | 41A | 90 - 75 | H135118 | 2G4 | 13 | 30 - 13 | H135421 | 7D14 | 16 | 120 - 45 |
| H134623 | 4H14 | 45 | 60 - 27 | H135126 | 9G13 | 2 | 170 - 47 | H135423 | 8D22 | 37 | 121 - 53 |
| H134623 | 6E17 | 45 | 90 - 75 | H135128 | 9G4 | 3 | 170 - 37 | H135452 | 9C13 | 14 | 130 - 21 |
| H134624 | 4H14 | 44 | 60 - 27 | H135128 | 9G9 | 20 | 170 - 43 | H135453 | 9C13 | 17 | 130 - 21 |
| H134624 | 6E17 | 44 | 90 - 75 | H135129 | 9G13 | 4 | 170 - 47 | H135454 | 9C13 | 2 | 130 - 21 |
| H134635 | 4H12 | 22A | 60 - 25 | H135129 | 9G16 | 4 | 170 - 50 | H135458 | 9C4 | 15 | 130 - 11 |
| H134635 | 6E15 | 22A | 90 - 73 | H135130 | 9G4 | 11 | 170 - 37 | H135458 | 9C15 | 10 | 130 - 23 |
| H134647 | 8E24 | 8 | 121 - 79 | H135131 | 9G7 | 10 | 170 - 41 | H135458 | 9E18 | 5 | 170 - 3 |
| H134652 | 8E24 | 12 | 121 - 79 | H135132 | 9G7 | 12 | 170 - 41 | H135475 | 7D16 | 18 | 120 - 47 |
| H134652 | 8F2 | 16 | 121 - 81 | H135133 | 9G7 | 2 | 170 - 41 | H135476 | 6H8 | 6 | 110 - 41 |
| H134654 | 7B23 | 6 | 120 - 5 | H135134 | 9G7 | 14 | 170 - 41 | H135493 | 8G10 | 8 | 125 - 17 |
| H134654 | 7B25 | 6 | 120 - 7 | H135141 | 9G11 | 3 | 170 - 45 | H135494 | 8G10 | 23 | 125 - 17 |
| H134654 | 7C2 | 20 | 120 - 9 | H135147 | 5H2 | 16 | 80 - 13 | H135497 | 4D7 | 27 | 50 - 36 |
| H134654 | 7C4 | 20 | 120 - 11 | H135147 | 5H6 | 16 | 80 - 17 | H135497 | 4D8 | 27 | 50 - 37 |
| H134654 | 7C6 | 15 | 120 - 13 | H135148 | 5H4 | 6 | 80 - 15 | H135497 | 4D14 | 27 | 50 - 43 |
| H134655 | 6F13 | 12 | 90 - 97 | H135148 | 5H8 | 6 | 80 - 19 | H135497 | 4D15 | 27 | 50 - 44 |
| H134666 | 5G17 | 2 | 80 - 3 | H135154 | 5F10 | 10 | 70 - 93 | H135498 | 4D6 | 18 | 50 - 35 |
| H134667 | 9G13 | 8 | 170 - 47 | H135155 | 4H16 | 12 | 60 - 29 | H135499 | 4D4 | 5 | 50 - 33 |
| H134671 | 6C4 | 9 | 90 - 11 | H135156 | 4G16 | 6 | 60 - 5 | H135500 | 4D4 | 4 | 50 - 33 |
| H134678 | 8E24 | 6 | 121 - 79 | H135156 | 4H22 | 6 | 60 - 35 | H135500 | 4D12 | 3 | 50 - 41 |
| H134683 | 7D24 | 10 | 120 - 55 | H135156 | 5D4 | 12 | 70 - 33 | H135503 | 4D6 | 40 | 50 - 35 |
| H134683 | 7D24 | 12 | 120 - 55 | H135157 | 7D4 | 8 | 120 - 35 | H135504 | 4D6 | 41 | 50 - 35 |
| H134683 | 7E2 | 15 | 120 - 57 | H135167 | 9G9 | 22 | 170 - 43 | H135505 | 4D7 | 1 | 50 - 36 |
| H134690 | 2G6 | 20 | 30 - 15 | H135173 | 4C24 | 4 | 50 - 29 | H135508 | 4D12 | 6 | 50 - 41 |
| H134690 | 4F24 | 8 | 50 - 103 | H135192 | 9D4 | 24 | 130 - 37 | H135509 | 4D12 | 5 | 50 - 41 |
| H134690 | 5C12 | 7 | 70 - 17 | H135193 | 9D4 | 26 | 130 - 37 | H135511 | 8D16 | 29 | 121 - 47 |
| H134717 | 8G10 | 21 | 125 - 17 | H135209 | 8H14 | 4 | 125 - 45 | H135512 | 8D16 | 9 | 121 - 47 |
| H134723 | 6C24 | 11A | 90 - 31 | H135211 | 4D6 | 11 | 50 - 35 | H135519 | 7F10 | 9 | 120 - 87 |
| H134724 | 6C24 | 10 | 90 - 31 | H135211 | 4D20 | 11 | 50 - 49 | H135538 | 9C6 | 13 | 130 - 13 |
| H134733 | 6G7 | 17A | 110 - 15 | H135212 | 4D20 | 40 | 50 - 49 | H135541 | 7E6 | 8 | 120 - 61 |
| H134734 | 6H6 | 4 | 110 - 39 | H135213 | 4D6 | 37 | 50 - 35 | H135543 | 7E6 | 7 | 120 - 61 |
| H134735 | 6H6 | 3 | 110 - 39 | H135213 | 4D20 | 37 | 50 - 49 | H135566 | 5E25 | 12 | 70 - 83 |
| H134739 | 5H2 | 11 | 80 - 13 | H135214 | 4D6 | 38 | 50 - 35 | H135567 | 4D6 | 39 | 50 - 35 |
| H134739 | 5H6 | 9 | 80 - 17 | H135214 | 4D20 | 38 | 50 - 49 | H135569 | 5E25 | 1 | 70 - 83 |
| H134756 | 7D4 | 10 | 120 - 35 | H135215 | 4D6 | 5 | 50 - 35 | H135570 | 4D7 | 9 | 50 - 36 |
| H134758 | 7D4 | 5 | 120 - 35 | H135215 | 4D20 | 5 | 50 - 49 | H135570 | 4D8 | 9 | 50 - 37 |
| H134760 | 8D16 | 18 | 121 - 47 | H135224 | 3F8 | 3 | 40 - 89 | H135570 | 4D14 | 9 | 50 - 43 |
| H134760 | 9C4 | 13 | 130 - 11 | H135225 | 7F2 | 2 | 120 - 79 | H135570 | 4D15 | 9 | 50 - 44 |
| H134760 | 9C15 | 4 | 130 - 23 | H135235 | 8H23 | 10 | 125 - 54 | H135571 | 4D12 | 21 | 50 - 41 |
| H134767 | 4C14 | 3 | 50 - 19 | H135242 | 9G9 | 21 | 170 - 43 | H135571 | 4D22 | 21 | 50 - 51 |
| H134767 | 6D5 | 3 | 90 - 37 | H135245 | 5H4 | 24 | 80 - 15 | H135588 | 9C17 | 9 | 130 - 25 |
| H134767 | 9G9 | 21 | 170 - 43 | H135245 | 5H8 | 24 | 80 - 19 | H135590 | 9C17 | 12 | 130 - 25 |
| H134773 | 8C18 | 2 | 121 - 25 | H135246 | 7C18 | 6 | 120 - 25 | H135590 | 9C19 | 12 | 130 - 27 |
| H134816 | 7D2 | 10 | 120 - 33 | H135246 | 7D2 | 5 | 120 - 33 | H135599 | 8E2 | 25 | 121 - 57 |
| H134826 | 8H22 | 22 | 125 - 53 | H135254 | 9G4 | 8 | 170 - 37 | H135608 | 4H16 | 15 | 60 - 29 |
| H134831 | 3D16 | 8 | 40 - 49 | H135255 | 9G7 | 1 | 170 - 41 | H135610 | 5H2 | 21 | 80 - 13 |
| H134852 | 7B21 | 10A | 120 - 3 | H135287 | 9C13 | 9 | 130 - 21 | H135610 | 5H6 | 21 | 80 - 17 |
| H134856 | 1C7 | 3 | 20 - 14 | H135292 | 8C20 | 44 | 121 - 27 | H135614 | 6B25 | 1 | 90 - 7 |
| H134856 | 1C8 | 3 | 20 - 15 | H135309 | 8I5 | 22 | 125 - 61 | H135615 | 6B25 | 6 | 90 - 7 |
| H134856 | 1C9 | 3 | 20 - 16 | H135315 | 7C24 | 5 | 120 - 31 | H135618 | 5C16 | 17 | 70 - 21 |
| H134888 | 6H14 | 3 | 110 - 47 | H135392 | 5H4 | 20 | 80 - 15 | H135618 | 5C24 | 9 | 70 - 29 |
| H134889 | 8G4 | 8 | 125 - 11 | H135392 | 5H8 | 20 | 80 - 19 | H135619 | 4H16 | 31 | 60 - 29 |
| H134896 | 6G13 | 9 | 110 - 21 | H135393 | 5H4 | 16 | 80 - 15 | H135622 | 8D16 | 27A | 121 - 47 |
| H134910 | 5G25 | 3 | 80 - 11 | H135393 | 5H8 | 16 | 80 - 19 | H135623 | 8D16 | 28A | 121 - 47 |
| H134913 | 5G25 | 11 | 80 - 11 | H135395 | 8D16 | 10 | 121 - 47 | H135641 | 5D13 | 2 | 70 - 43 |

NUMERICAL INDEX - CONTINUED

| PART NO. | GRID | KEY | PAGE | PART NO. | GRID | KEY | PAGE | PART NO. | GRID | KEY | PAGE |
|----------|------|-----|----------|----------|------|-----|----------|----------|------|-----|----------|
| H135641 | 5D15 | 4 | 70 - 45 | H136110 | 6C22 | 16 | 90 - 29 | H137261 | 5H4 | 15 | 80 - 15 |
| H135641 | 5D17 | 4 | 70 - 47 | H136115 | 4I5 | 2 | 60 - 42 | H137261 | 5H8 | 15 | 80 - 19 |
| H135695 | 4D20 | 41 | 50 - 49 | H136126 | 6C14 | 33 | 90 - 21 | H137264 | 8E2 | 21 | 121 - 57 |
| H135697 | 4D14 | 1 | 50 - 43 | H136126 | 6C16 | 21 | 90 - 23 | H137264 | 9E19 | 4 | 170 - 4 |
| H135700 | 4D18 | 4 | 50 - 47 | H136127 | 6C14 | 32 | 90 - 21 | H137266 | 8E2 | 7 | 121 - 57 |
| H135700 | 4D22 | 3 | 50 - 51 | H136127 | 6C16 | 19 | 90 - 23 | H137267 | 5H2 | 20 | 80 - 13 |
| H135702 | 4D22 | 6 | 50 - 51 | H136134 | 8G4 | 5 | 125 - 11 | H137267 | 5H6 | 20 | 80 - 17 |
| H135706 | 4D14 | 2 | 50 - 43 | H136143 | 6C12 | 1 | 90 - 19 | H137277 | 9B24 | 10 | 130 - 7 |
| H135706 | 4D15 | 2 | 50 - 44 | H136144 | 6H8 | 1 | 110 - 41 | H137296 | 6H14 | 4 | 110 - 47 |
| H135714 | 9C4 | 6 | 130 - 11 | H136145 | 4C18 | 6A | 50 - 23 | H137303 | 3D16 | 9 | 40 - 49 |
| H135772 | 3H4 | 9 | 40 - 135 | H136145 | 4C18 | 6B | 50 - 23 | H137322 | 6G22 | 5 | 110 - 31 |
| H135772 | 6I4 | 6 | 110 - 59 | H136158 | 6C8 | 19 | 90 - 15 | H137323 | 2F18 | 26 | 30 - 3 |
| H135773 | 3H4 | 10 | 40 - 135 | H136158 | 9G13 | 3 | 170 - 47 | H137326 | 6E19 | 33 | 90 - 77 |
| H135776 | 5E11 | 26 | 70 - 67 | H136163 | 4D10 | 27 | 50 - 39 | H137328 | 6E17 | 54B | 90 - 75 |
| H135776 | 5E18 | 16 | 70 - 75 | H136179 | 8F23 | 30 | 125 - 5 | H137328 | 7D20 | 1 | 120 - 51 |
| H135776 | 5E20 | 16 | 70 - 77 | H136179 | 8G2 | 8 | 125 - 9 | H137329 | 7C18 | 32 | 120 - 25 |
| H135777 | 5E14 | 27 | 70 - 71 | H136186 | 9C10 | 10 | 130 - 17 | H137329 | 7C20 | 11 | 120 - 27 |
| H135777 | 5E18 | 15 | 70 - 75 | H136186 | 9C11 | 13 | 130 - 18 | H137333 | 4C18 | 6A | 50 - 23 |
| H135777 | 5E20 | 15 | 70 - 77 | H136209 | 9C13 | 8 | 130 - 21 | H137334 | 4C18 | 2A | 50 - 23 |
| H135777 | 5E23 | 15 | 70 - 81 | H136257 | 8G12 | 5 | 125 - 19 | H137343 | 5H18 | 8 | 80 - 29 |
| H135843 | 8G20 | 1 | 125 - 27 | H136257 | 8G14 | 5 | 125 - 21 | H137347 | 7D24 | 6 | 120 - 55 |
| H135843 | 8G22 | 10 | 125 - 29 | H136263 | 8G24 | 1A | 125 - 31 | H137348 | 7D24 | 5 | 120 - 55 |
| H135849 | 8D24 | 2 | 121 - 55 | H136279 | 8G20 | 8 | 125 - 27 | H137356 | 9G9 | 25 | 170 - 43 |
| H135850 | 7D10 | 18 | 120 - 41 | H136280 | 8G16 | 1 | 125 - 23 | H137358 | 6C14 | 5 | 90 - 21 |
| H135850 | 8D24 | 7 | 121 - 55 | H136299 | 8G20 | 6 | 125 - 27 | H137360 | 6C14 | 10 | 90 - 21 |
| H135860 | 5H20 | 3 | 80 - 31 | H136300 | 8G20 | 5 | 125 - 27 | H137360 | 6C16 | 2 | 90 - 23 |
| H135887 | 6C4 | 11A | 90 - 11 | H136303 | 9E5 | 5 | 130 - 63 | H137364 | 9G16 | 1 | 170 - 50 |
| H135891 | 6I8 | 30 | 110 - 63 | H136306 | 9E5 | 4 | 130 - 63 | H137365 | 9G16 | 2 | 170 - 50 |
| H135891 | 7C12 | .. | 120 - 19 | H136334 | 4I11 | 11 | 60 - 48 | H137388 | 7D22 | 17 | 120 - 53 |
| H135891 | 7C20 | 7 | 120 - 27 | H136335 | 4I11 | 7 | 60 - 48 | H137402 | 6E6 | 15A | 90 - 63 |
| H135897 | 5E18 | 7A | 70 - 75 | H136336 | 5C20 | 37 | 70 - 25 | H137417 | 6D18 | 4 | 90 - 51 |
| H135897 | 5E20 | 7A | 70 - 77 | H136541 | 6E23 | 16 | 90 - 81 | H137418 | 6D18 | 9 | 90 - 51 |
| H135898 | 5E18 | 20 | 70 - 75 | H136541 | 9C23 | 23 | 130 - 31 | H137420 | 6D18 | 11 | 90 - 51 |
| H135898 | 5E20 | 20 | 70 - 77 | H136564 | 2G4 | 1 | 30 - 13 | H137421 | 6D18 | 10 | 90 - 51 |
| H135898 | 5E23 | 20 | 70 - 81 | H136565 | 2G6 | 1 | 30 - 15 | H137426 | 9G13 | 1 | 170 - 47 |
| H135923 | 7F2 | 2 | 120 - 79 | H136566 | 2G4 | 4 | 30 - 13 | H137427 | 9G13 | 1 | 170 - 47 |
| H135942 | 4C22 | 12 | 50 - 27 | H136567 | 2G6 | 4 | 30 - 15 | H137447 | 6C24 | 9 | 90 - 31 |
| H135943 | 4C20 | 28 | 50 - 25 | H136568 | 2G4 | 3 | 30 - 13 | H137458 | 5H14 | 11 | 80 - 25 |
| H135944 | 4C22 | 9 | 50 - 27 | H136569 | 2G6 | 3 | 30 - 15 | H137523 | 5B22 | 6 | 70 - 3 |
| H135964 | 5D11 | 11 | 70 - 41 | H136570 | 9E2 | 12 | 130 - 59 | H137534 | 5I8 | 12 | 80 - 43 |
| H135964 | 9E12 | 11 | 160 - 3 | H136572 | 9D4 | 25 | 130 - 37 | H137539 | 3B25 | 18 | 40 - 5 |
| H135965 | 5I2 | 8 | 80 - 37 | H136573 | 9D4 | 27 | 130 - 37 | H137570 | 8E20 | 9 | 121 - 75 |
| H135965 | 5I4 | 11 | 80 - 39 | H136575 | 4B24 | 13 | 50 - 5 | H137572 | 5C22 | 14 | 70 - 27 |
| H135974 | 4G16 | 8 | 60 - 5 | H136577 | 2G4 | 8 | 30 - 13 | H137585 | 8H20 | 9 | 125 - 51 |
| H135974 | 5D4 | 16 | 70 - 33 | H136577 | 2G6 | 20 | 30 - 15 | H137593 | 5D13 | 17 | 70 - 43 |
| H135987 | 7C12 | 24A | 120 - 19 | H136577 | 5H6 | 27 | 80 - 17 | H137596 | 5D15 | 21 | 70 - 45 |
| H136011 | 6C14 | 30 | 90 - 21 | H136582 | 8H18 | 30 | 125 - 49 | H137602 | 8H6 | 33 | 125 - 37 |
| H136011 | 6C16 | 17 | 90 - 23 | H136583 | 9G9 | 23 | 170 - 43 | H137603 | 8H6 | 28 | 125 - 37 |
| H136012 | 6C14 | 27 | 90 - 21 | H136589 | 6C4 | 15 | 90 - 11 | H137606 | 9C13 | 21 | 130 - 21 |
| H136013 | 6G13 | 3 | 110 - 21 | H136590 | 6C4 | 20 | 90 - 11 | H137657 | 3G13 | 18 | 40 - 119 |
| H136014 | 5H8 | 28 | 80 - 19 | H136591 | 5H2 | 9 | 80 - 13 | H137667 | 4H14 | 49 | 60 - 27 |
| H136014 | 6G13 | 6 | 110 - 21 | H136603 | 6E25 | 25 | 90 - 83 | H137667 | 6E17 | 49 | 90 - 75 |
| H136015 | 5H8 | 27 | 80 - 19 | H136608 | 7E6 | 10 | 120 - 61 | H137672 | 4C17 | 7 | 50 - 22 |
| H136017 | 4C24 | 4 | 50 - 29 | H136610 | 7E6 | 11 | 120 - 61 | H137729 | 8H8 | 14 | 125 - 39 |
| H136018 | 4H4 | 22 | 60 - 17 | H137187 | 7E10 | 1A | 120 - 65 | H137731 | 3D16 | 3 | 40 - 49 |
| H136028 | 4E19 | 5 | 50 - 73 | H137188 | 7E18 | 20 | 120 - 71 | H137732 | 3D16 | 10 | 40 - 49 |
| H136029 | 4E19 | 5 | 50 - 73 | H137201 | 9G16 | 1 | 170 - 50 | H137779 | 4G1 | 2 | 50 - 105 |
| H136047 | 8H22 | 6 | 125 - 53 | H137202 | 9G16 | 2 | 170 - 50 | H137782 | 4G2 | 2 | 50 - 106 |
| H136054 | 8H22 | 8 | 125 - 53 | H137203 | 7C16 | 20 | 120 - 23 | H137805 | 4G2 | 6 | 50 - 106 |
| H136055 | 8H22 | 8 | 125 - 53 | H137203 | 7D2 | 17 | 120 - 33 | H137806 | 4G2 | 6 | 50 - 106 |
| H136056 | 6C4 | 19 | 90 - 11 | H137204 | 7C16 | 21 | 120 - 23 | H137807 | 4G2 | 6 | 50 - 106 |
| H136095 | 9C6 | 1 | 130 - 13 | H137204 | 7D2 | 14 | 120 - 33 | H137814 | 9E2 | 41 | 130 - 59 |
| H136109 | 3G25 | 8 | 40 - 131 | H137215 | 7D14 | 21 | 120 - 45 | H137815 | 8E2 | 36 | 121 - 57 |
| H136109 | 6C20 | 16 | 90 - 27 | H137215 | 7D14 | 22 | 120 - 45 | H137816 | 8E2 | 34 | 121 - 57 |
| H136109 | 6C22 | 17 | 90 - 29 | H137225 | 5F10 | 1 | 70 - 93 | H137816 | 8E2 | .. | 121 - 57 |
| H136110 | 3G25 | 6 | 40 - 131 | H137225 | 9D8 | 21A | 130 - 41 | H137817 | 8E2 | .. | 121 - 57 |
| H136110 | 6C20 | 14 | 90 - 27 | H137227 | 9D8 | 23 | 130 - 41 | H137823 | 6D9 | 13 | 90 - 41 |

NUMERICAL INDEX - CONTINUED

| PART NO. | GRID | KEY | PAGE | PART NO. | GRID | KEY | PAGE | PART NO. | GRID | KEY | PAGE |
|----------|------|-----|----------|----------|------|-----|----------|----------|------|-----|----------|
| H137839 | 6C6 | 3 | 90 - 13 | H138798 | 3B25 | 11 | 40 - 5 | H139938 | 8G16 | 4 | 125 - 23 |
| H137840 | 6C6 | 6 | 90 - 13 | H138900 | 4D18 | 5 | 50 - 47 | H139948 | 9G4 | 14 | 170 - 37 |
| H137854 | 6E10 | 1 | 90 - 67 | H138901 | 4D22 | 5 | 50 - 51 | H139948 | 9G9 | 15 | 170 - 43 |
| H137855 | 6E10 | 6 | 90 - 67 | H138930 | 9D8 | 19 | 130 - 41 | H139949 | 9G4 | 14 | 170 - 37 |
| H137856 | 6E10 | 4 | 90 - 67 | H138955 | 6C6 | 17A | 90 - 13 | H139949 | 9G9 | 15 | 170 - 43 |
| H137857 | 6E10 | 5 | 90 - 67 | H138987 | 1B22 | 7 | 20 - 5 | H139964 | 8H4 | 7 | 125 - 35 |
| H137858 | 6E10 | 3 | 90 - 67 | H138989 | 5H18 | 7 | 80 - 29 | H139970 | 9C17 | 10 | 130 - 25 |
| H137859 | 6E10 | 5 | 90 - 67 | H138989 | 8F2 | 17 | 121 - 81 | H139972 | 9C23 | 27 | 130 - 31 |
| H137865 | 8H2 | 13 | 125 - 33 | H138989 | 9G4 | 2 | 170 - 37 | H139986 | 8B23 | 2 | 121 - 5 |
| H137866 | 8H2 | 8 | 125 - 33 | H138989 | 9G7 | 8 | 170 - 41 | H139988 | 8G16 | 8 | 125 - 23 |
| H137867 | 8H2 | 3 | 125 - 33 | H138989 | 9G13 | 7 | 170 - 47 | H139988 | 8G18 | 16 | 125 - 25 |
| H137869 | 9E2 | 12 | 130 - 59 | H139005 | 8G24 | 2 | 125 - 31 | H139989 | 9G4 | 5 | 170 - 37 |
| H137916 | 9C10 | 6 | 130 - 17 | H139006 | 8G20 | 7 | 125 - 27 | H140019 | 7F4 | 3 | 120 - 81 |
| H137916 | 9C11 | 6 | 130 - 18 | H139006 | 8H2 | 5 | 125 - 33 | H140020 | 7F10 | 16 | 120 - 87 |
| H137919 | 9C10 | 12 | 130 - 17 | H139007 | 8G16 | 11 | 125 - 23 | H140042 | 7C10 | 2 | 120 - 17 |
| H137919 | 9C11 | 8 | 130 - 18 | H139008 | 8G16 | 15 | 125 - 23 | H140042 | 7C22 | 2 | 120 - 29 |
| H137939 | 6G7 | 24 | 110 - 15 | H139036 | 9G4 | 2 | 170 - 37 | H140070 | 7F4 | 4 | 120 - 81 |
| H137939 | 6G9 | 24 | 110 - 17 | H139036 | 9G7 | 8 | 170 - 41 | H140074 | 3E2 | 18 | 40 - 59 |
| H137939 | 6G11 | 24 | 110 - 19 | H139036 | 9G13 | 7 | 170 - 47 | H140074 | 7F4 | 5 | 120 - 81 |
| H137939 | 9E14 | 8 | 160 - 5 | H139049 | 9G7 | 13 | 170 - 41 | H140075 | 1C8 | 8 | 20 - 15 |
| H137939 | 9G9 | 18 | 170 - 43 | H139056 | 5I2 | 5 | 80 - 37 | H140076 | 1C8 | 10 | 20 - 15 |
| H137940 | 9G9 | 18 | 170 - 43 | H139056 | 9C23 | 28 | 130 - 31 | H140096 | 9C6 | 15 | 130 - 13 |
| H137947 | 7C18 | 14 | 120 - 25 | H139098 | 7C18 | 25 | 120 - 25 | H140098 | 9C6 | 11 | 130 - 13 |
| H137976 | 6C4 | 15 | 90 - 11 | H139098 | 7C20 | 9 | 120 - 27 | H140121 | 1C16 | 5 | 20 - 23 |
| H137976 | 6C4 | 20 | 90 - 11 | H139132 | 8E4 | 7 | 121 - 59 | H140121 | 5G23 | 2 | 80 - 9 |
| H138085 | 8C22 | 1 | 121 - 29 | H139132 | 8E6 | 7 | 121 - 61 | H140122 | 6G7 | 10 | 110 - 15 |
| H138200 | 3E8 | 33 | 40 - 65 | H139132 | 8E8 | 7 | 121 - 63 | H140122 | 6G9 | 10 | 110 - 17 |
| H138219 | 6G13 | 25 | 110 - 21 | H139338 | 3F2 | 5A | 40 - 83 | H140122 | 6G11 | 10 | 110 - 19 |
| H138297 | 6C6 | 4 | 90 - 13 | H139338 | 7B21 | 8A | 120 - 3 | H140135 | 4H5 | 8 | 60 - 18 |
| H138303 | 8G12 | 13 | 125 - 19 | H139392 | 9G4 | 6 | 170 - 37 | H140149 | 8I17 | 4 | 125 - 73 |
| H138334 | 4H12 | 21A | 60 - 25 | H139393 | 9G4 | 7 | 170 - 37 | H140160 | 6H12 | 7 | 110 - 45 |
| H138334 | 6E15 | 21A | 90 - 73 | H139427 | 4H12 | 41A | 60 - 25 | H140160 | 8C18 | 26 | 121 - 25 |
| H138344 | 7F10 | 8 | 120 - 87 | H139427 | 6E15 | 41A | 90 - 73 | H140160 | 8E12 | 12 | 121 - 67 |
| H138344 | 8D18 | 23 | 121 - 49 | H139431 | 9G7 | 7 | 170 - 41 | H140160 | 9E19 | 1 | 170 - 4 |
| H138363 | 3G13 | 10 | 40 - 119 | H139432 | 9G7 | 7 | 170 - 41 | H140161 | 8G12 | 4 | 125 - 19 |
| H138364 | 3G13 | 10 | 40 - 119 | H139448 | 5G12 | 9 | 70 - 119 | H140161 | 8G14 | 4 | 125 - 21 |
| H138407 | 3C10 | 1 | 40 - 15 | H139512 | 5E18 | 14B | 70 - 75 | H140162 | 8G12 | 2 | 125 - 19 |
| H138410 | 4I4 | 7B | 60 - 41 | H139512 | 5E20 | 14B | 70 - 77 | H140162 | 8G14 | 2 | 125 - 21 |
| H138411 | 4H18 | 9 | 60 - 31 | H139512 | 5E23 | 14 | 70 - 81 | H140180 | 4E21 | 11 | 50 - 75 |
| H138411 | 5C20 | 15 | 70 - 25 | H139513 | 5E18 | 7A | 70 - 75 | H140180 | 4E25 | 9 | 50 - 79 |
| H138411 | 5D2 | 21 | 70 - 31 | H139513 | 5E18 | 7B | 70 - 75 | H140183 | 3G15 | 6 | 40 - 121 |
| H138423 | 5D13 | 13 | 70 - 43 | H139513 | 5E20 | 7A | 70 - 77 | H140184 | 3G15 | 6 | 40 - 121 |
| H138423 | 5D15 | 15 | 70 - 45 | H139513 | 5E20 | 7B | 70 - 77 | H140184 | 3G15 | 7 | 40 - 121 |
| H138423 | 5D17 | 6 | 70 - 47 | H139513 | 5E23 | 7 | 70 - 81 | H140187 | 3G15 | 17 | 40 - 121 |
| H138423 | 9G7 | 13 | 170 - 41 | H139515 | 5E18 | 7A | 70 - 75 | H140189 | 3G17 | 14 | 40 - 123 |
| H138435 | 6G2 | 10 | 110 - 9 | H139515 | 5E18 | 24 | 70 - 75 | H140193 | 3G17 | 11 | 40 - 123 |
| H138435 | 6H20 | 23 | 110 - 53 | H139515 | 5E20 | 7A | 70 - 77 | H140195 | 6F23 | 32 | 110 - 5 |
| H138435 | 6I6 | 14 | 110 - 61 | H139515 | 5E20 | 24 | 70 - 77 | H140212 | 6F17 | 3 | 90 - 101 |
| H138435 | 6I8 | 4 | 110 - 63 | H139515 | 5E23 | 7 | 70 - 81 | H140213 | 6F17 | 1 | 90 - 101 |
| H138435 | 7F10 | 12 | 120 - 87 | H139515 | 5E23 | 14 | 70 - 81 | H140218 | 7F2 | 18 | 120 - 79 |
| H138435 | 8E2 | 29 | 121 - 57 | H139515 | 5E23 | 24 | 70 - 81 | H140225 | 5H4 | 21 | 80 - 15 |
| H138435 | 8E20 | 5 | 121 - 75 | H139545 | 8E16 | 24 | 121 - 71 | H140225 | 5H8 | 21 | 80 - 19 |
| H138435 | 8E20 | 16 | 121 - 75 | H139545 | 8E18 | 22 | 121 - 73 | H140227 | 4C22 | 13 | 50 - 27 |
| H138435 | 8F14 | 8 | 121 - 93 | H139545 | 8E20 | 10 | 121 - 75 | H140247 | 7E6 | 3 | 120 - 61 |
| H138435 | 8G10 | 42 | 125 - 17 | H139545 | 8E22 | 10 | 121 - 77 | H140248 | 3B25 | 9 | 40 - 5 |
| H138435 | 8H18 | 1 | 125 - 49 | H139603 | 9G11 | 3 | 170 - 45 | H140248 | 3C10 | 3 | 40 - 15 |
| H138435 | 8I5 | 36 | 125 - 61 | H139667 | 7F4 | 1 | 120 - 81 | H140248 | 3F6 | 3 | 40 - 87 |
| H138435 | 8I7 | 1 | 125 - 63 | H139667 | 7F6 | 1 | 120 - 83 | H140298 | 5B24 | 7 | 70 - 5 |
| H138435 | 8I9 | 1 | 125 - 65 | H139667 | 7F8 | 1 | 120 - 85 | H140298 | 5B24 | 10 | 70 - 5 |
| H138435 | 9D23 | 1 | 130 - 55 | H139670 | 8G12 | 10 | 125 - 19 | H140298 | 5C20 | 13 | 70 - 25 |
| H138435 | 9E2 | 38 | 130 - 59 | H139709 | 8D4 | 1 | 121 - 35 | H140298 | 5D2 | 20 | 70 - 31 |
| H138593 | 9B20 | 15 | 130 - 3 | H139807 | 4I11 | 9 | 60 - 48 | H140299 | 4G14 | 4 | 60 - 3 |
| H138607 | 4C3 | 1 | 50 - 8 | H139807 | 4I12 | 9 | 60 - 49 | H140299 | 4G14 | 8 | 60 - 3 |
| H138607 | 4C4 | 4 | 50 - 9 | H139837 | 6G22 | 23 | 110 - 31 | H140300 | 5H22 | 16 | 80 - 33 |
| H138607 | 4C5 | 5 | 50 - 10 | H139852 | 6C6 | 17A | 90 - 13 | H140308 | 4G14 | 4 | 60 - 3 |
| H138753 | 6H4 | 28 | 110 - 37 | H139867 | 3G23 | 7 | 40 - 129 | H140308 | 4G14 | 8 | 60 - 3 |
| H138753 | 6H4 | 31 | 110 - 37 | H139937 | 8G16 | 5 | 125 - 23 | H140315 | 4H4 | 9 | 60 - 17 |

1K20

9600 MAXIMIZER COMBINE

NUMERICAL INDEX - CONTINUED

| PART NO. | GRID | KEY | PAGE | PART NO. | GRID | KEY | PAGE | PART NO. | GRID | KEY | PAGE |
|----------|------|-----|--------|----------|------|-----|--------|----------|------|-----|---------|
| H140322 | 4G14 | 2 | 60-3 | H140804 | 7C16 | 12 | 120-23 | H141416 | 7E10 | 1B | 120-65 |
| H140322 | 4G14 | 4 | 60-3 | H140836 | 6D7 | 19 | 90-39 | H141422 | 4G20 | 34 | 60-9 |
| H140322 | 4G14 | 8 | 60-3 | H140836 | 6F25 | 19 | 110-7 | H141449 | 9D15 | 1A | 130-49 |
| H140333 | 4G14 | 2 | 60-3 | H140848 | 1C2 | 19A | 20-9 | H141449 | 9D15 | 1B | 130-49 |
| H140380 | 1B24 | 12 | 20-7 | H140848 | 1C2 | 19B | 20-9 | H141450 | 9D15 | 17 | 130-49 |
| H140382 | 4I11 | 10 | 60-48 | H140866 | 5G17 | 21 | 80-3 | H141450 | 9D17 | 17 | 130-49B |
| H140382 | 4I12 | 10 | 60-49 | H140872 | 5H16 | 5 | 80-27 | H141500 | 6H6 | 7 | 110-39 |
| H140383 | 4I12 | 10 | 60-49 | H140881 | 5H16 | 1 | 80-27 | H141547 | 8H22 | 28 | 125-53 |
| H140384 | 6F17 | 11 | 90-101 | H140912 | 3G21 | 6 | 40-127 | H141548 | 8H22 | 30 | 125-53 |
| H140396 | 6E6 | 17 | 90-63 | H140913 | 3G21 | 3 | 40-127 | H141549 | 6G11 | 35 | 110-19 |
| H140397 | 8E4 | 3 | 121-59 | H140914 | 3G21 | 5 | 40-127 | H141549 | 8H22 | 33 | 125-53 |
| H140397 | 8E6 | 3 | 121-61 | H140915 | 3G21 | 9 | 40-127 | H141558 | 4D2 | 3 | 50-31 |
| H140397 | 8E8 | 3 | 121-63 | H140916 | 2G8 | 9 | 30-17 | H141563 | 8E16 | 27 | 121-71 |
| H140404 | 8E2 | 21 | 121-57 | H140944 | 8D24 | 19 | 121-55 | H141564 | 8E16 | 7 | 121-71 |
| H140404 | 9E19 | 4 | 170-4 | H140944 | 8E16 | 6 | 121-71 | H141565 | 8E16 | 3 | 121-71 |
| H140414 | 3E2 | 20 | 40-59 | H140944 | 8E16 | 16B | 121-71 | H141582 | 8F14 | 1 | 121-93 |
| H140414 | 7F2 | 14 | 120-79 | H141055 | 8F2 | 12 | 121-81 | H141588 | 8C24 | 4 | 121-31 |
| H140467 | 8I5 | 25 | 125-61 | H141059 | 8F2 | 18 | 121-81 | H141593 | 4I14 | .. | 60-51 |
| H140467 | 8I7 | 14 | 125-63 | H141060 | 8F2 | 11 | 121-81 | H141673 | 8E16 | 3 | 121-71 |
| H140467 | 8I9 | 16 | 125-65 | H141069 | 4G20 | 16 | 60-9 | H141673 | 8E16 | 16B | 121-71 |
| H140497 | 2F18 | 24 | 30-3 | H141086 | 8G4 | 5 | 125-11 | H141673 | 8E18 | 3 | 121-73 |
| H140573 | 1C6 | 12 | 20-13 | H141106 | 8G16 | 5 | 125-23 | H141713 | 6G13 | 20 | 110-21 |
| H140579 | 9G4 | 15 | 170-37 | H141107 | 8G16 | 4 | 125-23 | H141735 | 8D10 | 11 | 121-41 |
| H140581 | 9G4 | 15 | 170-37 | H141108 | 8G16 | 16 | 125-23 | H141769 | 8B23 | 21B | 121-5 |
| H140583 | 9G7 | 3 | 170-41 | H141123 | 5H12 | 3 | 80-23 | H141770 | 5H20 | 8A | 80-31 |
| H140590 | 6C25 | .. | 90-32 | H141123 | 5H18 | 17 | 80-29 | H141770 | 5H20 | 8B | 80-31 |
| H140595 | 4G20 | 5 | 60-9 | H141123 | 9C23 | 36 | 130-31 | H141771 | 5H20 | .. | 80-31 |
| H140620 | 4G20 | 7 | 60-9 | H141123 | 9D24 | 14 | 130-56 | H141772 | 5H20 | 1B | 80-31 |
| H140627 | 3C4 | 3 | 40-9 | H141127 | 3D10 | 1 | 40-43 | H141813 | 5H24 | 2 | 80-35 |
| H140628 | 3C4 | 2 | 40-9 | H141127 | 3D10 | 2 | 40-43 | H141835 | 6G13 | 5 | 110-21 |
| H140628 | 3D20 | 2 | 40-53 | H141135 | 8F25 | 58 | 125-7 | H141836 | 5H6 | 15 | 80-17 |
| H140628 | 3D22 | 6 | 40-55 | H141135 | 8G2 | 11A | 125-9 | H141869 | 4H2 | 11 | 60-15 |
| H140645 | 5G17 | 2 | 80-3 | H141153 | 9C6 | 11 | 130-13 | H141883 | 7F2 | 7 | 120-79 |
| H140664 | 3B23 | 16 | 40-3 | H141154 | 9C19 | 10 | 130-27 | H141946 | 4H14 | 53 | 60-27 |
| H140664 | 3D8 | 9 | 40-41 | H141160 | 9C6 | 1 | 130-13 | H141946 | 6E17 | 53 | 90-75 |
| H140677 | 7F4 | 11 | 120-81 | H141166 | 9C4 | 15 | 130-11 | H141948 | 6C24 | 10 | 90-31 |
| H140678 | 7F4 | 8 | 120-81 | H141166 | 9C15 | 10 | 130-23 | H141949 | 6C24 | 11B | 90-31 |
| H140691 | 4G20 | 21 | 60-9 | H141166 | 9E18 | 5 | 170-3 | H141955 | 3C4 | 6 | 40-9 |
| H140692 | 4G20 | 11 | 60-9 | H141246 | 4G20 | 13 | 60-9 | H141963 | 4C20 | 28 | 50-25 |
| H140694 | 4G20 | 27 | 60-9 | H141289 | 6D16 | 12A | 90-49 | H141975 | 5H22 | 13A | 80-33 |
| H140695 | 4G20 | 28 | 60-9 | H141289 | 6D16 | 12B | 90-49 | H141975 | 5H22 | 13B | 80-33 |
| H140696 | 4G20 | 29 | 60-9 | H141292 | 6B21 | 15 | 90-3 | H141975 | 5I12 | 4 | 80-47 |
| H140708 | 4G20 | 12 | 60-9 | H141313 | 7F4 | 12 | 120-81 | H141975 | 7D18 | 17 | 120-49 |
| H140709 | 4C3 | .. | 50-8 | H141314 | 7F4 | 9 | 120-81 | H141978 | 5I12 | 19 | 80-47 |
| H140709 | 4I14 | .. | 60-51 | H141325 | 3D8 | 12 | 40-41 | H141979 | 5I12 | 8B | 80-47 |
| H140709 | 9G11 | 2 | 170-45 | H141325 | 3D8 | 22 | 40-41 | H141993 | 7C24 | 12 | 120-31 |
| H140709 | 9G11 | 4 | 170-45 | H141325 | 3D12 | 17 | 40-45 | H142030 | 4C20 | 8 | 50-25 |
| H140710 | 4C3 | .. | 50-8 | H141327 | 4H14 | 9 | 60-27 | H142030 | 4C20 | .. | 50-25 |
| H140710 | 4I14 | .. | 60-51 | H141327 | 6E8 | 8 | 90-65 | H142031 | 4C20 | 37 | 50-25 |
| H140711 | 9G11 | 4 | 170-45 | H141327 | 6E17 | 9 | 90-75 | H142031 | 4C20 | .. | 50-25 |
| H140712 | 4G20 | 20 | 60-9 | H141343 | 9G7 | 3 | 170-41 | H142035 | 5H12 | 18 | 80-23 |
| H140713 | 4G20 | 30 | 60-9 | H141350 | 4B24 | 18 | 50-5 | H142044 | 4B24 | 18 | 50-5 |
| H140715 | 1B20 | 11 | 20-3 | H141351 | 4B24 | 18 | 50-5 | H142044 | 4C2 | 18 | 50-7 |
| H140715 | 4G20 | 19 | 60-9 | H141386 | 4B24 | 27 | 50-5 | H142045 | 4B24 | 18 | 50-5 |
| H140746 | 4G20 | 8 | 60-9 | H141386 | 6E8 | 25 | 90-65 | H142055 | 8D18 | 11 | 121-49 |
| H140747 | 4G20 | 9 | 60-9 | H141387 | 4B24 | 28 | 50-5 | H142104 | 2G8 | 9 | 30-17 |
| H140749 | 4C3 | .. | 50-8 | H141388 | 8F16 | 15 | 121-95 | H142107 | 4I5 | 6 | 60-42 |
| H140749 | 9G11 | 2 | 170-45 | H141393 | 6E8 | 2 | 90-65 | H142107 | 4I6 | 5 | 60-43 |
| H140749 | 9G11 | 4 | 170-45 | H141406 | 3D10 | 1 | 40-43 | H142141 | 8F23 | 21 | 125-5 |
| H140750 | 4C3 | .. | 50-8 | H141406 | 3D10 | 2 | 40-43 | H142141 | 8F23 | 37B | 125-5 |
| H140751 | 4C3 | .. | 50-8 | H141406 | 3E6 | 11 | 40-63 | H142141 | 8G2 | 13 | 125-9 |
| H140751 | 9G11 | 4 | 170-45 | H141409 | 3E24 | 2 | 40-81 | H142143 | 8D14 | 21 | 121-45 |
| H140768 | 9G11 | 4 | 170-45 | H141410 | 9D6 | 5 | 130-39 | H142143 | 8D20 | 23 | 121-51 |
| H140802 | 7C16 | 12 | 120-23 | H141411 | 3G19 | 6 | 40-125 | H142182 | 9G7 | 3 | 170-41 |
| H140802 | 7C16 | 13 | 120-23 | H141412 | 2F18 | 26 | 30-3 | H142183 | 5E7 | 22 | 70-63 |
| H140802 | 7C20 | 3 | 120-27 | H141412 | 2F18 | 27 | 30-3 | H142188 | 7D14 | 6 | 120-45 |
| H140804 | 7C16 | 8 | 120-23 | H141416 | 7E10 | 1A | 120-65 | H142189 | 7D14 | 5 | 120-45 |

NUMERICAL INDEX - CONTINUED

| PART NO. | GRID | KEY | PAGE | PART NO. | GRID | KEY | PAGE | PART NO. | GRID | KEY | PAGE |
|----------|------|-----|----------|----------|------|-----|----------|----------|------|-----|----------|
| H142831 | 6G17 | 9 | 110 - 25 | H143918 | 3C10 | 17 | 40 - 15 | H144562 | 3C10 | 10 | 40 - 15 |
| H142862 | 6G15 | 9 | 110 - 23 | H143918 | 3C10 | 20 | 40 - 15 | H144692 | 1B24 | 20 | 20 - 7 |
| H142870 | 6G17 | 18 | 110 - 25 | H143918 | 3C10 | 22 | 40 - 15 | H144692 | 9G4 | 5 | 170 - 37 |
| H143317 | 3G25 | 1 | 40 - 131 | H143918 | 3C10 | 24 | 40 - 15 | H144715 | 5G17 | 24 | 80 - 3 |
| H143331 | 5H20 | 10 | 80 - 31 | H143918 | 3C10 | 27 | 40 - 15 | H144716 | 5G17 | 24 | 80 - 3 |
| H143332 | 8F4 | 3 | 121 - 83 | H143918 | 3C10 | 39 | 40 - 15 | H144717 | 5G17 | 25 | 80 - 3 |
| H143332 | 8F6 | 7 | 121 - 85 | H143948 | 8G18 | 4 | 125 - 25 | H144742 | 7C16 | 14 | 120 - 23 |
| H143332 | 8F8 | 3 | 121 - 87 | H143949 | 8G18 | 10 | 125 - 25 | H144742 | 7C20 | 6 | 120 - 27 |
| H143332 | 8F10 | 3 | 121 - 89 | H143950 | 8G18 | 9 | 125 - 25 | H144742 | 7D4 | 14 | 120 - 35 |
| H143332 | 8F12 | 3 | 121 - 91 | H143951 | 8G18 | 14 | 125 - 25 | H144759 | 8C2 | 7 | 121 - 9 |
| H143351 | 6G24 | 15 | 110 - 33 | H143952 | 8G18 | 12 | 125 - 25 | H144762 | 8B25 | 9 | 121 - 7 |
| H143352 | 6G22 | 20 | 110 - 31 | H143955 | 8G14 | 12 | 125 - 21 | H144801 | 3F2 | 5B | 40 - 83 |
| H143352 | 6G24 | 23 | 110 - 33 | H144013 | 3D16 | 9 | 40 - 49 | H144801 | 7B21 | 8A | 120 - 3 |
| H143354 | 6G22 | 20 | 110 - 31 | H144029 | 5I8 | 7 | 80 - 43 | H144801 | 7B21 | 8B | 120 - 3 |
| H143354 | 6G24 | 12 | 110 - 33 | H144032 | 3G7 | 18 | 40 - 113 | H144822 | 7F12 | 1C | 120 - 89 |
| H143357 | 6H14 | 1 | 110 - 47 | H144036 | 7C12 | 24A | 120 - 19 | H144822 | 7F12 | 3A | 120 - 89 |
| H143357 | 6H16 | 9 | 110 - 49 | H144038 | 8D10 | 5 | 121 - 41 | H144822 | 7F12 | 3B | 120 - 89 |
| H143375 | 6H14 | 1 | 110 - 47 | H144051 | 6G22 | 10 | 110 - 31 | H144822 | 9C25 | 8 | 130 - 33 |
| H143375 | 6H16 | 1A | 110 - 49 | H144051 | 6G24 | 10 | 110 - 33 | H144822 | 9C25 | 9 | 130 - 33 |
| H143384 | 8C8 | 3 | 121 - 15 | H144063 | 6G13 | 9 | 110 - 21 | H144824 | 6G15 | 4 | 110 - 23 |
| H143386 | 7C8 | 3B | 120 - 15 | H144094 | 3E22 | 5 | 40 - 79 | H144824 | 7F12 | 1C | 120 - 89 |
| H143388 | 7C8 | 2B | 120 - 15 | H144095 | 3E22 | 6 | 40 - 79 | H144824 | 9C25 | 8 | 130 - 33 |
| H143408 | 4C22 | 12 | 50 - 27 | H144114 | 3E20 | 2 | 40 - 77 | H144826 | 6H14 | 4 | 110 - 47 |
| H143420 | 2F18 | 16 | 30 - 3 | H144115 | 3E20 | 2 | 40 - 77 | H144834 | 8B23 | 7 | 121 - 5 |
| H143420 | 8D18 | 12B | 121 - 49 | H144122 | 8C14 | 9 | 121 - 21 | H144896 | 8H2 | 3 | 125 - 33 |
| H143421 | 8D18 | 22 | 121 - 49 | H144122 | 8C16 | 9 | 121 - 23 | H144962 | 8D2 | 42 | 121 - 33 |
| H143426 | 8C2 | 7 | 121 - 9 | H144139 | 3E20 | 2 | 40 - 77 | H144970 | 4H14 | 41B | 60 - 27 |
| H143430 | 8B23 | 2 | 121 - 5 | H144159 | 8G22 | 4 | 125 - 29 | H144970 | 6E17 | 36 | 90 - 75 |
| H143439 | 6E8 | 21 | 90 - 65 | H144160 | 8G22 | 5 | 125 - 29 | H144970 | 6E17 | 41B | 90 - 75 |
| H143439 | 6E10 | 8 | 90 - 67 | H144162 | 8G22 | 2 | 125 - 29 | H144971 | 9B24 | 8 | 130 - 7 |
| H143445 | 4C2 | 5 | 50 - 7 | H144164 | 8G22 | 7 | 125 - 29 | H145001 | 8C12 | 4 | 121 - 19 |
| H143453 | 5I2 | 13 | 80 - 37 | H144184 | 4B22 | 11B | 50 - 3 | H145003 | 1C14 | 10 | 20 - 21 |
| H143453 | 5I4 | 17 | 80 - 39 | H144201 | 6H4 | 21 | 110 - 37 | H145033 | 5H6 | 14 | 80 - 17 |
| H143454 | 5I2 | 14 | 80 - 37 | H144242 | 3F16 | 3 | 40 - 97 | H145046 | 8C14 | 9 | 121 - 21 |
| H143454 | 5I4 | 18 | 80 - 39 | H144244 | 6E6 | 10 | 90 - 63 | H145046 | 8C16 | 9 | 121 - 23 |
| H143455 | 6G22 | 10 | 110 - 31 | H144255 | 3D6 | 16 | 40 - 39 | H145051 | 5E9 | 22 | 70 - 65 |
| H143460 | 6C10 | 8 | 90 - 17 | H144256 | 3F4 | 12 | 40 - 85 | H145051 | 5E9 | 25 | 70 - 65 |
| H143462 | 3D16 | 10 | 40 - 49 | H144256 | 3F5 | 12 | 40 - 86 | H145051 | 5E18 | 11 | 70 - 75 |
| H143465 | 5G23 | 13 | 80 - 9 | H144260 | 1F16 | 8 | 25 - 62 | H145051 | 5E18 | 28 | 70 - 75 |
| H143489 | 6H6 | 17 | 110 - 39 | H144260 | 2D19 | 8 | 26 - 52 | H145051 | 5E20 | 11 | 70 - 77 |
| H143562 | 1B22 | 5 | 20 - 5 | H144260 | 2G8 | 9 | 30 - 17 | H145051 | 5E20 | 28 | 70 - 77 |
| H143562 | 1B22 | 11 | 20 - 5 | H144269 | 4G22 | 20 | 60 - 11 | H145051 | 5E23 | 11 | 70 - 81 |
| H143562 | 1B22 | 14 | 20 - 5 | H144270 | 4G22 | 14 | 60 - 11 | H145051 | 5E23 | 28 | 70 - 81 |
| H143562 | 1B22 | 22 | 20 - 5 | H144274 | 6D16 | 13 | 90 - 49 | H145052 | 5E9 | 22 | 70 - 65 |
| H143562 | 1B24 | 17 | 20 - 7 | H144277 | 1B22 | 14 | 20 - 5 | H145052 | 5E9 | 25 | 70 - 65 |
| H143610 | 7C16 | 16 | 120 - 23 | H144288 | 8F21 | 27 | 125 - 3 | H145052 | 5E18 | 11 | 70 - 75 |
| H143610 | 7D2 | 4 | 120 - 33 | H144288 | 8F25 | 48 | 125 - 7 | H145052 | 5E18 | 27 | 70 - 75 |
| H143615 | 7F2 | 17 | 120 - 79 | H144288 | 8G2 | 17 | 125 - 9 | H145052 | 5E20 | 11 | 70 - 77 |
| H143632 | 3B25 | 11 | 40 - 5 | H144290 | 8F21 | 27 | 125 - 3 | H145052 | 5E20 | 27 | 70 - 77 |
| H143714 | 8G20 | 12 | 125 - 27 | H144290 | 8F25 | 48 | 125 - 7 | H145052 | 5E23 | 11 | 70 - 81 |
| H143731 | 7D10 | 20 | 120 - 41 | H144291 | 3E8 | 28B | 40 - 65 | H145052 | 5E23 | 27 | 70 - 81 |
| H143735 | 8I5 | 9 | 125 - 61 | H144291 | 3E8 | 35 | 40 - 65 | H145082 | 6E6 | 4 | 90 - 63 |
| H143743 | 8G16 | 11 | 125 - 23 | H144293 | 4E9 | .. | 50 - 63 | H145095 | 8G18 | 7 | 125 - 25 |
| H143744 | 8G16 | 15 | 125 - 23 | H144293 | 4I9 | 3 | 60 - 46 | H145096 | 8G18 | 6 | 125 - 25 |
| H143757 | 1C8 | 13 | 20 - 15 | H144298 | 8F25 | 49 | 125 - 7 | H145112 | 7D16 | 6 | 120 - 47 |
| H143757 | 1C9 | 10 | 20 - 16 | H144336 | 3G21 | 9 | 40 - 127 | H145112 | 8G10 | 14 | 125 - 17 |
| H143757 | 6E23 | 24 | 90 - 81 | H144342 | 5F18 | 14 | 70 - 101 | H145158 | 1B18 | 3 | 20 - 1 |
| H143761 | 1C8 | 8 | 20 - 15 | H144385 | 4C22 | 20 | 50 - 27 | H145158 | 1B20 | 5 | 20 - 3 |
| H143762 | 8G16 | 19 | 125 - 23 | H144386 | 4C22 | 1 | 50 - 27 | H145158 | 9E18 | 2 | 170 - 3 |
| H143869 | 1B18 | 3 | 20 - 1 | H144468 | 7D20 | 16 | 120 - 51 | H145173 | 4C22 | 1 | 50 - 27 |
| H143869 | 9E18 | 2 | 170 - 3 | H144472 | 6C10 | 9 | 90 - 17 | H145221 | 3D4 | 2 | 40 - 37 |
| H143891 | 4B22 | 12 | 50 - 3 | H144546 | 6E19 | 4 | 90 - 77 | H145243 | 8D10 | 11 | 121 - 41 |
| H143893 | 4C16 | 9 | 50 - 21 | H144546 | 6E21 | 9 | 90 - 79 | H145247 | 4F18 | 9 | 50 - 97 |
| H143894 | 4C16 | 9 | 50 - 21 | H144556 | 7E2 | 1 | 120 - 57 | H145247 | 4F24 | 8 | 50 - 103 |
| H143904 | 1C8 | 8 | 20 - 15 | H144557 | 7E2 | 11 | 120 - 57 | H145247 | 4G3 | 2 | 50 - 107 |
| H143918 | 3C10 | 10 | 40 - 15 | H144559 | 7D22 | 19A | 120 - 53 | H145256 | 7C24 | 5 | 120 - 31 |
| H143918 | 3C10 | 15 | 40 - 15 | H144559 | 7D22 | 19B | 120 - 53 | H145264 | 3D6 | 15 | 40 - 39 |

NUMERICAL INDEX - CONTINUED

| PART NO. | GRID | KEY | PAGE | PART NO. | GRID | KEY | PAGE | PART NO. | GRID | KEY | PAGE |
|----------|------|-----|----------|----------|------|-----|----------|----------|------|-----|----------|
| H145276 | 8F6 | 1 | 121 - 85 | H145995 | 4I14 | .. | 60 - 51 | H146730 | 7B21 | 8C | 120 - 3 |
| H145276 | 8F14 | 1 | 121 - 93 | H145995 | 4I15 | .. | 60 - 52 | H146750 | 1C2 | 3 | 20 - 9 |
| H145284 | 3C10 | 1 | 40 - 15 | H145995 | 9G11 | 1 | 170 - 45 | H146754 | 7D20 | 8A | 120 - 51 |
| H145315 | 8B23 | 21A | 121 - 5 | H145996 | 9G11 | 1 | 170 - 45 | H146754 | 7D20 | 8B | 120 - 51 |
| H145315 | 8B23 | 21B | 121 - 5 | H146011 | 8G18 | 1 | 125 - 25 | H146756 | 5H20 | 10 | 80 - 31 |
| H145315 | 8B23 | 21C | 121 - 5 | H146042 | 4H12 | 41A | 60 - 25 | H146757 | 5I12 | 19 | 80 - 47 |
| H145316 | 9C13 | 5 | 130 - 21 | H146042 | 4H12 | 41B | 60 - 25 | H146757 | 7D18 | 18 | 120 - 49 |
| H145317 | 9C13 | 9 | 130 - 21 | H146042 | 6E15 | 41A | 90 - 73 | H146765 | 5G25 | 5 | 80 - 11 |
| H145319 | 8F16 | 7 | 121 - 95 | H146042 | 6E15 | 41B | 90 - 73 | H146766 | 6G7 | 20 | 110 - 15 |
| H145319 | 8F25 | 53 | 125 - 7 | H146057 | 5G19 | 3 | 80 - 5 | H146766 | 6G9 | 20 | 110 - 17 |
| H145335 | 4C22 | 1 | 50 - 27 | H146064 | 1B20 | 14 | 20 - 3 | H146766 | 6G11 | 20 | 110 - 19 |
| H145417 | 3C2 | 14 | 40 - 7 | H146088 | 4G3 | 1 | 50 - 107 | H146767 | 1C2 | 21 | 20 - 9 |
| H145417 | 6D3 | 14 | 90 - 35 | H146089 | 4G3 | 1 | 50 - 107 | H146775 | 9D6 | 5 | 130 - 39 |
| H145418 | 3B25 | 19 | 40 - 5 | H146260 | 5G23 | 4 | 80 - 9 | H146887 | 6F13 | 26 | 90 - 97 |
| H145419 | 3B25 | 20 | 40 - 5 | H146281 | 4I4 | 7A | 60 - 41 | H146950 | 3G7 | 9 | 40 - 113 |
| H145420 | 3B25 | 21 | 40 - 5 | H146306 | 3D8 | 25 | 40 - 41 | H146951 | 6F23 | 34 | 110 - 5 |
| H145454 | 1C16 | 4 | 20 - 23 | H146306 | 9E14 | 11 | 160 - 5 | H147004 | 4H6 | 1 | 60 - 19 |
| H145462 | 6H14 | 4 | 110 - 47 | H146307 | 8F25 | 49 | 125 - 7 | H147068 | 2G12 | 8 | 30 - 21 |
| H145462 | 6H16 | 4 | 110 - 49 | H146307 | 8G2 | 15 | 125 - 9 | H147069 | 2G12 | 1 | 30 - 21 |
| H145463 | 6G22 | 20 | 110 - 31 | H146310 | 9E2 | 41 | 130 - 59 | H147074 | 5G17 | 2 | 80 - 3 |
| H145463 | 6H14 | 3 | 110 - 47 | H146315 | 6E6 | 15A | 90 - 63 | H147111 | 2G10 | 12 | 30 - 19 |
| H145463 | 6H16 | 15 | 110 - 49 | H146315 | 6E6 | 15B | 90 - 63 | H147115 | 1C8 | 8 | 20 - 15 |
| H145511 | 3C10 | 10 | 40 - 15 | H146318 | 7C18 | 6 | 120 - 25 | H147115 | 1C9 | 8 | 20 - 16 |
| H145515 | 7F13 | 3 | 120 - 90 | H146318 | 7C18 | 28 | 120 - 25 | H147137 | 5H24 | .. | 80 - 35 |
| H145515 | 9C25 | 8 | 130 - 33 | H146318 | 7C24 | 15 | 120 - 31 | H147192 | 4H14 | 10 | 60 - 27 |
| H145627 | 9G11 | 4 | 170 - 45 | H146318 | 7D2 | 5 | 120 - 33 | H147192 | 6E17 | 10 | 90 - 75 |
| H145638 | 7C18 | 20 | 120 - 25 | H146327 | 4G20 | 13 | 60 - 9 | H147249 | 3C6 | 1 | 40 - 11 |
| H145638 | 7C20 | 12 | 120 - 27 | H146389 | 7C18 | 6 | 120 - 25 | H147299 | 9C23 | 15 | 130 - 31 |
| H145638 | 7C24 | 2 | 120 - 31 | H146389 | 7D2 | 5 | 120 - 33 | H147302 | 8F6 | 3 | 121 - 85 |
| H145700 | 5G19 | 2 | 80 - 5 | H146391 | 4H12 | 22A | 60 - 25 | H147302 | 8F8 | 2 | 121 - 87 |
| H145706 | 2F18 | 32 | 30 - 3 | H146391 | 4H12 | 22B | 60 - 25 | H147302 | 8F10 | 2 | 121 - 89 |
| H145706 | 8D18 | 22 | 121 - 49 | H146391 | 6E15 | 22A | 90 - 73 | H147302 | 8F12 | 2 | 121 - 91 |
| H145773 | 7C12 | 25B | 120 - 19 | H146391 | 6E15 | 22B | 90 - 73 | H147304 | 8F6 | 2 | 121 - 85 |
| H145773 | 7C12 | .. | 120 - 19 | H146392 | 4H12 | 21A | 60 - 25 | H147304 | 8F8 | 1 | 121 - 87 |
| H145773 | 9C23 | 34 | 130 - 31 | H146392 | 4H12 | 21B | 60 - 25 | H147304 | 8F10 | 1 | 121 - 89 |
| H145779 | 8F25 | 57 | 125 - 7 | H146392 | 6E15 | 21A | 90 - 73 | H147304 | 8F12 | 1 | 121 - 91 |
| H145779 | 8G2 | 22 | 125 - 9 | H146392 | 6E15 | 21B | 90 - 73 | H147415 | 2F18 | 24 | 30 - 3 |
| H145832 | 2G10 | 7 | 30 - 19 | H146393 | 4H12 | 21B | 60 - 25 | H147457 | 7E18 | 15A | 120 - 71 |
| H145847 | 4G20 | 1 | 60 - 9 | H146393 | 6E15 | 21B | 90 - 73 | H147457 | 7E18 | 15B | 120 - 71 |
| H145853 | 8F25 | 49 | 125 - 7 | H146394 | 8D10 | 17 | 121 - 41 | H147468 | 7C18 | 4 | 120 - 25 |
| H145857 | 8F25 | 56 | 125 - 7 | H146414 | 8F6 | 6 | 121 - 85 | H147468 | 7C18 | 24 | 120 - 25 |
| H145857 | 8G2 | 18 | 125 - 9 | H146414 | 8F8 | 6 | 121 - 87 | H147482 | 6G24 | 19 | 110 - 33 |
| H145857 | 9G7 | 7 | 170 - 41 | H146429 | 6E19 | 29 | 90 - 77 | H147484 | 7C16 | 23 | 120 - 23 |
| H145858 | 8G2 | 18 | 125 - 9 | H146457 | 6H16 | 10 | 110 - 49 | H147486 | 5D9 | 8 | 70 - 39 |
| H145858 | 9G7 | 7 | 170 - 41 | H146457 | 7C12 | 28B | 120 - 19 | H147490 | 4G1 | 8 | 50 - 105 |
| H145879 | 7F12 | 1A | 120 - 89 | H146457 | 7C12 | .. | 120 - 19 | H147593 | 6G22 | 20 | 110 - 31 |
| H145879 | 7F12 | 1B | 120 - 89 | H146457 | 8E14 | 19 | 121 - 69 | H147593 | 6G24 | 15 | 110 - 33 |
| H145879 | 7F12 | 3A | 120 - 89 | H146535 | 5E21 | 5A | 70 - 78 | H147661 | 8H20 | 11 | 125 - 51 |
| H145893 | 6C4 | 11A | 90 - 11 | H146535 | 5E21 | 5B | 70 - 78 | H147747 | 7F6 | 3 | 120 - 83 |
| H145893 | 6C4 | 11B | 90 - 11 | H146536 | 8H22 | 6 | 125 - 53 | H147748 | 7F6 | 6 | 120 - 83 |
| H145897 | 7D24 | 10 | 120 - 55 | H146537 | 8H22 | 30 | 125 - 53 | H147752 | 9D8 | 30 | 130 - 41 |
| H145897 | 7E2 | 12 | 120 - 57 | H146577 | 1B20 | 8 | 20 - 3 | H147788 | 7D10 | 3 | 120 - 41 |
| H145898 | 7D24 | 12 | 120 - 55 | H146585 | 6F23 | 18 | 110 - 5 | H147844 | 7B19 | 1 | 120 - 1 |
| H145898 | 7E2 | 18 | 120 - 57 | H146586 | 1B20 | 34 | 20 - 3 | H147846 | 8H22 | 22 | 125 - 53 |
| H145949 | 7D24 | 6 | 120 - 55 | H146636 | 1B20 | 45 | 20 - 3 | H147865 | 2G6 | 1 | 30 - 15 |
| H145949 | 7E2 | 7 | 120 - 57 | H146636 | 1C4 | 10 | 20 - 11 | H147865 | 2G6 | 3 | 30 - 15 |
| H145950 | 7D24 | 5 | 120 - 55 | H146636 | 1C4 | 23 | 20 - 11 | H147865 | 2G6 | 7 | 30 - 15 |
| H145950 | 7E2 | 5 | 120 - 57 | H146636 | 9E18 | 3 | 170 - 3 | H147910 | 8C8 | 3 | 121 - 15 |
| H145955 | 8D10 | 1 | 121 - 41 | H146637 | 1B20 | 45 | 20 - 3 | H147910 | 8C20 | 3 | 121 - 27 |
| H145969 | 7C10 | 2 | 120 - 17 | H146637 | 1C4 | 23 | 20 - 11 | H147967 | 8I5 | 29 | 125 - 61 |
| H145969 | 8C22 | 16 | 121 - 29 | H146639 | 7F2 | 7 | 120 - 79 | H148000 | 5G17 | 22 | 80 - 3 |
| H145982 | 6C6 | 17B | 90 - 13 | H146640 | 4C10 | 4 | 50 - 15 | H148018 | 7B21 | 2 | 120 - 3 |
| H145983 | 6C6 | 17A | 90 - 13 | H146646 | 4C24 | 22 | 50 - 29 | H148018 | 7B21 | 5 | 120 - 3 |
| H145983 | 6C6 | 17B | 90 - 13 | H146672 | 7E10 | 1C | 120 - 65 | H148019 | 7B21 | 2 | 120 - 3 |
| H145986 | 6F2 | 10 | 90 - 85 | H146680 | 1B20 | 46 | 20 - 3 | H148019 | 7B21 | 4 | 120 - 3 |
| H145987 | 6F2 | 9 | 90 - 85 | H146730 | 3F2 | 5B | 40 - 83 | H148020 | 7B21 | 2 | 120 - 3 |
| H145995 | 4C3 | .. | 50 - 8 | H146730 | 3F2 | 5C | 40 - 83 | H148020 | 7B21 | 3 | 120 - 3 |

1K23

9600 MAXIMIZER COMBINE

NUMERICAL INDEX - CONTINUED

| PART NO. | GRID | KEY | PAGE | PART NO. | GRID | KEY | PAGE | PART NO. | GRID | KEY | PAGE |
|----------|------|-----|----------|----------|------|-----|----------|----------|------|-----|-----------|
| H148022 | 7B21 | 21 | 120 - 3 | H148775 | 5E7 | 23 | 70 - 63 | H149090 | 9F2 | 2 | 170 - 11 |
| H148025 | 8G22 | 6 | 125 - 29 | H148776 | 2G6 | 23 | 30 - 15 | H149090 | 9G13 | 1 | 170 - 47 |
| H148055 | 9C25 | 12 | 130 - 33 | H148818 | 6G2 | 4 | 110 - 9 | H149091 | 9F16 | 2 | 170 - 25 |
| H148057 | 7C2 | 19 | 120 - 9 | H148818 | 6G20 | 2 | 110 - 28 | H149091 | 9G13 | 1 | 170 - 47 |
| H148058 | 7C2 | 15 | 120 - 9 | H148925 | 7B21 | 12 | 120 - 3 | H149092 | 5D13 | 13 | 70 - 43 |
| H148058 | 7C4 | 15 | 120 - 11 | H148999 | 6G15 | 5 | 110 - 23 | H149092 | 5D15 | 15 | 70 - 45 |
| H148058 | 7C6 | 21 | 120 - 13 | H149026 | 8G2 | 9 | 125 - 9 | H149092 | 5D17 | 6 | 70 - 47 |
| H148062 | 7B23 | 3 | 120 - 5 | H149027 | 8G2 | 9 | 125 - 9 | H149092 | 9F6 | 2 | 170 - 15 |
| H148062 | 7B25 | 3 | 120 - 7 | H149037 | 9E24 | 4 | 170 - 9 | H149092 | 9G7 | 13 | 170 - 41 |
| H148062 | 7C2 | 5 | 120 - 9 | H149037 | 9G4 | 10 | 170 - 37 | H149096 | 5H18 | 7 | 80 - 29 |
| H148064 | 7B23 | 1 | 120 - 5 | H149040 | 9F12 | 4 | 170 - 21 | H149096 | 8F2 | 17 | 121 - 81 |
| H148064 | 7B25 | 1 | 120 - 7 | H149040 | 9G4 | 10 | 170 - 37 | H149096 | 9E24 | 5 | 170 - 9 |
| H148064 | 7C2 | 3 | 120 - 9 | H149046 | 9F12 | 2 | 170 - 21 | H149096 | 9F4 | 2 | 170 - 13 |
| H148067 | 7C2 | 16 | 120 - 9 | H149046 | 9G16 | 5 | 170 - 50 | H149096 | 9G4 | 2 | 170 - 37 |
| H148067 | 7C4 | 16 | 120 - 11 | H149060 | 9G4 | .. | 170 - 37 | H149096 | 9G7 | 8 | 170 - 41 |
| H148107 | 8G18 | 8 | 125 - 25 | H149062 | 9C19 | 9 | 130 - 27 | H149096 | 9G13 | 7 | 170 - 47 |
| H148114 | 9C25 | 11 | 130 - 33 | H149062 | 9E24 | 3 | 170 - 9 | H149097 | 9F12 | 5 | 170 - 21 |
| H148131 | 8C20 | 27 | 121 - 27 | H149062 | 9F2 | 1 | 170 - 11 | H149097 | 9F20 | 2 | 170 - 29 |
| H148132 | 6F21 | 24 | 110 - 3 | H149062 | 9G13 | 4 | 170 - 47 | H149097 | 9G4 | 2 | 170 - 37 |
| H148132 | 6H20 | 8 | 110 - 53 | H149062 | 9G16 | 4 | 170 - 50 | H149097 | 9G7 | 8 | 170 - 41 |
| H148132 | 8C8 | 15 | 121 - 15 | H149063 | 6G7 | 24 | 110 - 15 | H149097 | 9G13 | 7 | 170 - 47 |
| H148133 | 6F21 | 25 | 110 - 3 | H149063 | 6G9 | 33 | 110 - 17 | H149098 | 9F24 | 2 | 170 - 33 |
| H148133 | 6H20 | 9 | 110 - 53 | H149063 | 6G11 | 33 | 110 - 19 | H149098 | 9G2 | 1 | 170 - 35 |
| H148133 | 8C8 | 16 | 121 - 15 | H149063 | 6I4 | 16 | 110 - 59 | H149098 | 9G7 | 13 | 170 - 41 |
| H148134 | 6F21 | 29 | 110 - 3 | H149063 | 6I8 | 36 | 110 - 63 | H149098 | 9G18 | 2 | 170 - 52 |
| H148134 | 6H20 | 13 | 110 - 53 | H149063 | 9E22 | 2 | 170 - 7 | H149099 | 8H22 | .. | 125 - 53 |
| H148134 | 8C8 | 19 | 121 - 15 | H149063 | 9F4 | 4 | 170 - 13 | H149099 | 9E22 | 4 | 170 - 7 |
| H148166 | 2F18 | 26 | 30 - 3 | H149063 | 9G4 | 11 | 170 - 37 | H149099 | 9F6 | 3 | 170 - 15 |
| H148166 | 2F18 | 27 | 30 - 3 | H149063 | 9G9 | 26 | 170 - 43 | H149099 | 9G4 | 14 | 170 - 37 |
| H148187 | 6H14 | 1 | 110 - 47 | H149064 | 9E22 | 5 | 170 - 7 | H149099 | 9G9 | 15 | 170 - 43 |
| H148187 | 6H16 | 4 | 110 - 49 | H149064 | 9F6 | 5 | 170 - 15 | H149100 | 9F8 | 3 | 170 - 17 |
| H148187 | 6H16 | 5 | 110 - 49 | H149064 | 9G4 | 3 | 170 - 37 | H149100 | 9F24 | 3 | 170 - 33 |
| H148202 | 8G24 | 1A | 125 - 31 | H149064 | 9G9 | 20 | 170 - 43 | H149100 | 9G4 | 14 | 170 - 37 |
| H148241 | 8D8 | 8 | 121 - 39 | H149065 | 9F2 | 3 | 170 - 11 | H149100 | 9G9 | 15 | 170 - 43 |
| H148270 | 3D23 | 1 | 40 - 56 | H149065 | 9G13 | 2 | 170 - 47 | H149102 | 8F21 | 27 | 125 - 3 |
| H148271 | 3D23 | 6 | 40 - 56 | H149066 | 9F4 | 3 | 170 - 13 | H149102 | 8F25 | 48 | 125 - 7 |
| H148286 | 4C16 | 9 | 50 - 21 | H149066 | 9G7 | 2 | 170 - 41 | H149102 | 8G2 | 17 | 125 - 9 |
| H148287 | 4C16 | 9 | 50 - 21 | H149067 | 9F6 | 1 | 170 - 15 | H149102 | 9E22 | 1 | 170 - 7 |
| H148300 | 7C14 | 2 | 120 - 21 | H149067 | 9G7 | 14 | 170 - 41 | H149103 | 8F21 | 27 | 125 - 3 |
| H148302 | 7C14 | 4 | 120 - 21 | H149068 | 4C14 | 3 | 50 - 19 | H149103 | 8F25 | 48 | 125 - 7 |
| H148304 | 7C14 | 6B | 120 - 21 | H149068 | 6D5 | 3 | 90 - 37 | H149103 | 9F8 | 1 | 170 - 17 |
| H148305 | 7C14 | 3 | 120 - 21 | H149068 | 9F4 | 1 | 170 - 13 | H149120 | 3F8 | 7 | 40 - 89 |
| H148340 | 3F2 | 1 | 40 - 83 | H149068 | 9G9 | 21 | 170 - 43 | H149121 | 3F8 | 3 | 40 - 89 |
| H148340 | 3F2 | 6 | 40 - 83 | H149074 | 9F8 | 4 | 170 - 17 | H149174 | 6F23 | 34 | 110 - 5 |
| H148340 | 5F8 | 15 | 70 - 91 | H149074 | 9F24 | 5 | 170 - 33 | H149454 | 2F20 | 14 | 30 - 5 |
| H148340 | 9E2 | 2 | 130 - 59 | H149074 | 9G9 | 20 | 170 - 43 | H149459 | 6G15 | 7 | 110 - 23 |
| H148340 | 9E2 | 46 | 130 - 59 | H149074 | 9G13 | 2 | 170 - 47 | H149460 | 6G15 | 8 | 110 - 23 |
| H148342 | 5F12 | 10 | 70 - 95 | H149075 | 9F16 | 3 | 170 - 25 | H149461 | 6G15 | 2 | 110 - 23 |
| H148366 | 5D17 | 14 | 70 - 47 | H149075 | 9G4 | 3 | 170 - 37 | H149461 | 6G15 | 3 | 110 - 23 |
| H148375 | 5F12 | 2 | 70 - 95 | H149075 | 9G9 | 20 | 170 - 43 | H149480 | 6C8 | 18 | 90 - 15 |
| H148376 | 5F12 | 1 | 70 - 95 | H149076 | 9F12 | 3 | 170 - 21 | H149480 | 6C8 | 19 | 90 - 15 |
| H148376 | 9D8 | 21B | 130 - 41 | H149076 | 9F16 | 1 | 170 - 25 | H149504 | 6F23 | 14 | 110 - 5 |
| H148416 | 1B24 | 24 | 20 - 7 | H149076 | 9G13 | 4 | 170 - 47 | H149517 | 6G17 | 7 | 110 - 25 |
| H148518 | 9C25 | 13 | 130 - 33 | H149076 | 9G16 | 4 | 170 - 50 | H149518 | 6G17 | 6 | 110 - 25 |
| H148633 | 8I7 | 7 | 125 - 63 | H149077 | 9F8 | 2 | 170 - 17 | H149523 | 6G17 | 13 | 110 - 25 |
| H148633 | 8I9 | 7 | 125 - 65 | H149077 | 9F20 | 4 | 170 - 29 | H149559 | 6H4 | 3 | 110 - 37 |
| H148646 | 4F6 | 15 | 50 - 85 | H149077 | 9G4 | 11 | 170 - 37 | H149559 | 6H4 | 37 | 110 - 37 |
| H148646 | 4F8 | 20 | 50 - 87 | H149078 | 9F20 | 3 | 170 - 29 | H149593 | 6F23 | 34 | 110 - 5 |
| H148650 | 4F6 | 11 | 50 - 85 | H149078 | 9G7 | 2 | 170 - 41 | H149780 | 9D15 | 1B | 130 - 49 |
| H148650 | 4F8 | 10 | 50 - 87 | H149079 | 9F24 | 1 | 170 - 33 | H149780 | 9D15 | 1C | 130 - 49 |
| H148702 | 3E12 | 18 | 40 - 69 | H149079 | 9G7 | 14 | 170 - 41 | H149780 | 9D17 | 1 | 130 - 49B |
| H148702 | 9D12 | 4A | 130 - 45 | H149080 | 9F20 | 1 | 170 - 29 | H149788 | 3D22 | 9 | 40 - 55 |
| H148702 | 9D12 | 4B | 130 - 45 | H149080 | 9G9 | 21 | 170 - 43 | H149793 | 9D13 | 5 | 130 - 46 |
| H148717 | 4F8 | 17 | 50 - 87 | H149088 | 9E24 | 1 | 170 - 9 | H149803 | 5E23 | 6 | 70 - 81 |
| H148768 | 8C2 | 6 | 121 - 9 | H149088 | 9G16 | 2 | 170 - 50 | H149804 | 5E16 | 23 | 70 - 73 |
| H148769 | 8C2 | 21 | 121 - 9 | H149089 | 9F12 | 1 | 170 - 21 | H149804 | 5E23 | 31 | 70 - 81 |
| H148770 | 8C4 | 4 | 121 - 11 | H149089 | 9G16 | 2 | 170 - 50 | H149869 | 9D13 | 4 | 130 - 46 |

NUMERICAL INDEX - CONTINUED

| PART NO. | GRID | KEY | PAGE | PART NO. | GRID | KEY | PAGE | PART NO. | GRID | KEY | PAGE |
|----------|------|-----|----------|----------|------|-----|----------|----------|------|-----|----------|
| H149883 | 6G24 | 19 | 110 - 33 | H150454 | 6G7 | 30 | 110 - 15 | H151619 | 9G4 | 15 | 170 - 37 |
| H149993 | 8F23 | 21 | 125 - 5 | H150454 | 6G9 | 8 | 110 - 17 | H151629 | 5F18 | 11 | 70 - 101 |
| H149993 | 8F25 | 58 | 125 - 7 | H150455 | 6D9 | 10 | 90 - 41 | H151671 | 9F10 | 3 | 170 - 19 |
| H149993 | 8G2 | 11A | 125 - 9 | H150458 | 6H16 | 13 | 110 - 49 | H151671 | 9F22 | 1 | 170 - 31 |
| H149993 | 8G2 | 11B | 125 - 9 | H150515 | 7C6 | 10 | 120 - 13 | H151671 | 9G5 | 3 | 170 - 38 |
| H149997 | 7E4 | 14 | 120 - 59 | H150528 | 6H4 | 36 | 110 - 37 | H151671 | 9G18 | 8 | 170 - 52 |
| H149997 | 7E12 | 12 | 120 - 67 | H150646 | 4C3 | .. | 50 - 8 | H151694 | 5F18 | 5 | 70 - 101 |
| H149997 | 7E16 | 14 | 120 - 69 | H150646 | 4I14 | .. | 60 - 51 | H151739 | 4I4 | 10 | 60 - 41 |
| H149997 | 7E20 | 12 | 120 - 73 | H150646 | 9G11 | 1 | 170 - 45 | H151757 | 6G9 | 30 | 110 - 17 |
| H149997 | 8H22 | 26 | 125 - 53 | H150662 | 6F23 | 18 | 110 - 5 | H151757 | 6G11 | 30 | 110 - 19 |
| H150022 | 1C6 | 3A | 20 - 13 | H150681 | 3B25 | 8 | 40 - 5 | H151764 | 7D18 | 8 | 120 - 49 |
| H150022 | 1C6 | 3B | 20 - 13 | H150682 | 7C6 | 22 | 120 - 13 | H151908 | 3C10 | 10 | 40 - 15 |
| H150034 | 7E18 | 15B | 120 - 71 | H150716 | 7F6 | 6 | 120 - 83 | H152047 | 5I4 | 15B | 80 - 39 |
| H150047 | 6C4 | 10A | 90 - 11 | H150717 | 7F6 | 3 | 120 - 83 | H152048 | 5I2 | 11B | 80 - 37 |
| H150047 | 6C4 | 10B | 90 - 11 | H150746 | 5I12 | 13 | 80 - 47 | H152062 | 6G24 | 4B | 110 - 33 |
| H150054 | 5D9 | 1 | 70 - 39 | H150746 | 7C6 | 5 | 120 - 13 | H152086 | 8H22 | 28 | 125 - 53 |
| H150054 | 6G7 | 9 | 110 - 15 | H150749 | 5H18 | 8 | 80 - 29 | H152087 | 8H22 | 29 | 125 - 53 |
| H150054 | 6G9 | 9 | 110 - 17 | H150763 | 9G7 | 10 | 170 - 41 | H152135 | 5I12 | 17B | 80 - 47 |
| H150054 | 6G11 | 9 | 110 - 19 | H150836 | 7C12 | 24B | 120 - 19 | H152146 | 8E2 | 21 | 121 - 57 |
| H150055 | 6G9 | 6 | 110 - 17 | H150909 | 7D18 | 4 | 120 - 49 | H152165 | 4G22 | 20 | 60 - 11 |
| H150062 | 5E23 | 29 | 70 - 81 | H150910 | 7D18 | 7 | 120 - 49 | H152166 | 4G22 | 14 | 60 - 11 |
| H150091 | 4F8 | 17 | 50 - 87 | H150911 | 7D18 | 3 | 120 - 49 | H152174 | 4H14 | 12 | 60 - 27 |
| H150091 | 7D20 | 8B | 120 - 51 | H150920 | 5F14 | 10 | 70 - 97 | H152174 | 6E17 | 12 | 90 - 75 |
| H150091 | 7D20 | 8C | 120 - 51 | H150922 | 3F8 | 7 | 40 - 89 | H152180 | 8E2 | 21 | 121 - 57 |
| H150092 | 7D20 | 19D | 120 - 51 | H150922 | 3F10 | 7 | 40 - 91 | H152232 | 7E6 | 3 | 120 - 61 |
| H150099 | 3C20 | 5 | 40 - 27 | H150923 | 3F8 | 3 | 40 - 89 | H152238 | 9F10 | 2 | 170 - 19 |
| H150100 | 6E19 | 1 | 90 - 77 | H150923 | 3F8 | 7 | 40 - 89 | H152238 | 9G5 | 2 | 170 - 38 |
| H150116 | 9B20 | 15 | 130 - 3 | H150923 | 3F10 | 3 | 40 - 91 | H152239 | 9F22 | 4 | 170 - 31 |
| H150119 | 3C22 | 7 | 40 - 29 | H150923 | 3F12 | 3 | 40 - 93 | H152239 | 9G15 | 1 | 170 - 49 |
| H150119 | 6C25 | .. | 90 - 32 | H150926 | 5F14 | 1 | 70 - 97 | H152240 | 9F14 | 2 | 170 - 23 |
| H150127 | 7C2 | 1 | 120 - 9 | H150929 | 3C10 | 1 | 40 - 15 | H152240 | 9G17 | 2 | 170 - 51 |
| H150127 | 7C4 | 1 | 120 - 11 | H150951 | 6C18 | 10 | 90 - 25 | H152241 | 9G17 | 3 | 170 - 51 |
| H150128 | 7C2 | 1 | 120 - 9 | H150980 | 4F18 | 6 | 50 - 97 | H152243 | 9F18 | 5 | 170 - 27 |
| H150129 | 7C4 | 3 | 120 - 11 | H150980 | 5G2 | 8 | 70 - 109 | H152243 | 9G18 | 6 | 170 - 52 |
| H150131 | 7C4 | 19 | 120 - 11 | H150982 | 4F18 | 3 | 50 - 97 | H152309 | 7E6 | 8 | 120 - 61 |
| H150132 | 7B23 | 3 | 120 - 5 | H150983 | 5G2 | 5 | 70 - 109 | H152310 | 7E6 | 7 | 120 - 61 |
| H150132 | 7B25 | 3 | 120 - 7 | H151049 | 7C6 | 18 | 120 - 13 | H152317 | 1C2 | 10 | 20 - 9 |
| H150132 | 7C2 | 5 | 120 - 9 | H151062 | 6E13 | 2 | 90 - 70 | H152403 | 1C16 | 5 | 20 - 23 |
| H150132 | 7C4 | 5 | 120 - 11 | H151066 | 7B21 | 10A | 120 - 3 | H152464 | 7F8 | 3 | 120 - 85 |
| H150134 | 7C4 | 2 | 120 - 11 | H151066 | 7B21 | 10B | 120 - 3 | H152464 | 7F8 | 5 | 120 - 85 |
| H150134 | 7C6 | 16 | 120 - 13 | H151068 | 7B21 | 20 | 120 - 3 | H152465 | 7F8 | 3 | 120 - 85 |
| H150222 | 4E23 | 13 | 50 - 77 | H151087 | 4D7 | 18 | 50 - 36 | H152465 | 7F8 | 5 | 120 - 85 |
| H150222 | 4F2 | 12 | 50 - 81 | H151087 | 4D8 | 18 | 50 - 37 | H152602 | 7F6 | 11 | 120 - 83 |
| H150222 | 4F4 | 14 | 50 - 83 | H151087 | 4D14 | 18 | 50 - 43 | H152916 | 9B20 | 10B | 130 - 3 |
| H150223 | 4E23 | 10 | 50 - 77 | H151087 | 4D15 | 18 | 50 - 44 | H153297 | 1C2 | 4 | 20 - 9 |
| H150223 | 4F2 | 10 | 50 - 81 | H151140 | 9G4 | 15 | 170 - 37 | H153297 | 1C4 | 24 | 20 - 11 |
| H150223 | 4F4 | 18 | 50 - 83 | H151142 | 9G4 | 15 | 170 - 37 | H153297 | 9E18 | 1 | 170 - 3 |
| H150268 | 1B18 | 12 | 20 - 1 | H151161 | 4B22 | 17B | 50 - 3 | H153438 | 6E19 | 6 | 90 - 77 |
| H150268 | 7E10 | 18 | 120 - 65 | H151165 | 6E6 | 10 | 90 - 63 | H153520 | 7D18 | 8 | 120 - 49 |
| H150268 | 7E10 | 19 | 120 - 65 | H151166 | 6E13 | 1 | 90 - 70 | H153524 | 8D20 | 9 | 121 - 51 |
| H150318 | 5H4 | 9 | 80 - 15 | H151181 | 8F21 | 6 | 125 - 3 | H153524 | 8E2 | 10 | 121 - 57 |
| H150318 | 5H8 | 9 | 80 - 19 | H151182 | 8F21 | 1 | 125 - 3 | H153647 | 7E8 | 1 | 120 - 63 |
| H150335 | 6G9 | 30 | 110 - 17 | H151318 | 7C14 | .. | 120 - 21 | H153649 | 7E8 | 3 | 120 - 63 |
| H150383 | 4H12 | 15B | 60 - 25 | H151376 | 3B25 | 22 | 40 - 5 | H153721 | 6F13 | 21 | 90 - 97 |
| H150383 | 6E15 | 15B | 90 - 73 | H151397 | 9C8 | 11 | 130 - 15 | H153722 | 6F13 | 22 | 90 - 97 |
| H150385 | 6E19 | 31 | 90 - 77 | H151477 | 7C6 | 19 | 120 - 13 | H153728 | 4I14 | .. | 60 - 51 |
| H150401 | 8F21 | 8 | 125 - 3 | H151484 | 7C16 | 23 | 120 - 23 | H153759 | 7E8 | 5 | 120 - 63 |
| H150401 | 8F21 | 9 | 125 - 3 | H151528 | 7C6 | 24 | 120 - 13 | H154195 | 5G25 | 5 | 80 - 11 |
| H150402 | 8F21 | 15 | 125 - 3 | H151567 | 6G24 | 23 | 110 - 33 | H154216 | 7F8 | 4 | 120 - 85 |
| H150402 | 8F21 | 16 | 125 - 3 | H151575 | 4I14 | .. | 60 - 51 | H154331 | 6H4 | 22 | 110 - 37 |
| H150403 | 8F21 | 10 | 125 - 3 | H151579 | 3G11 | 1 | 40 - 117 | H154720 | 4C17 | 15 | 50 - 22 |
| H150404 | 8F21 | 14 | 125 - 3 | H151585 | 4F16 | 16 | 50 - 95 | H154721 | 4E19 | 20 | 50 - 73 |
| H150407 | 8F21 | 29 | 125 - 3 | H151585 | 4F18 | 16 | 50 - 97 | H154722 | 4C16 | 10 | 50 - 21 |
| H150433 | 1C14 | 10 | 20 - 21 | H151585 | 5G2 | 1 | 70 - 109 | H154722 | 4E19 | 19 | 50 - 73 |
| H150434 | 6G9 | 34 | 110 - 17 | H151597 | 7F6 | 4 | 120 - 83 | H154757 | 5H22 | 13C | 80 - 33 |
| H150434 | 6G11 | 34 | 110 - 19 | H151607 | 6G17 | 5 | 110 - 25 | H154757 | 5I12 | 4 | 80 - 47 |
| H150454 | 5D9 | 10 | 70 - 39 | H151617 | 9G4 | 15 | 170 - 37 | H154757 | 7D18 | 17 | 120 - 49 |

1K25

9600 MAXIMIZER COMBINE

NUMERICAL INDEX - CONTINUED

| PART NO. | GRID | KEY | PAGE | PART NO. | GRID | KEY | PAGE | PART NO. | GRID | KEY | PAGE |
|----------|------|-----|-----------|----------|------|-----|-----------|----------|------|-----|----------|
| H154762 | 7D18 | 4 | 120 - 49 | H158579 | 6D3 | 3 | 90 - 35 | H162055 | 4H14 | 42C | 60 - 27 |
| H154763 | 7D18 | 3 | 120 - 49 | H158579 | 6F15 | 11 | 90 - 99 | H162055 | 6E17 | 42C | 90 - 75 |
| H154930 | 7E6 | 5 | 120 - 61 | H158614 | 5I18 | 2 | 80 - 53 | H162056 | 4H14 | 41B | 60 - 27 |
| H154959 | 8H22 | 30 | 125 - 53 | H158615 | 8I11 | 5 | 125 - 67 | H162056 | 6E17 | 41B | 90 - 75 |
| H155000 | 9G4 | 15 | 170 - 37 | H158616 | 5I18 | 12 | 80 - 53 | H162118 | 4H12 | 21B | 60 - 25 |
| H155062 | 8E16 | 6 | 121 - 71 | H158627 | 5I18 | 9 | 80 - 53 | H162177 | 6I4 | 23 | 110 - 59 |
| H155062 | 8E18 | 4 | 121 - 73 | H158629 | 8I11 | 3 | 125 - 67 | H162177 | 6I8 | 27 | 110 - 63 |
| H155109 | 1C6 | 3B | 20 - 13 | H158633 | 5I18 | 3 | 80 - 53 | H162211 | 6I8 | 20 | 110 - 63 |
| H155112 | 5H6 | 16 | 80 - 17 | H158638 | 5E21 | 5B | 70 - 78 | H162269 | 6H12 | 31 | 110 - 45 |
| H155153 | 9G4 | 15 | 170 - 37 | H158638 | 8I11 | 8 | 125 - 67 | H162278 | 6I8 | 25 | 110 - 63 |
| H155154 | 9G4 | 15 | 170 - 37 | H158646 | 5I16 | 7 | 80 - 51 | H162288 | 6H12 | 30 | 110 - 45 |
| H155295 | 8F2 | 12 | 121 - 81 | H158665 | 5C14 | 13 | 70 - 19 | H162325 | 6I4 | 2 | 110 - 59 |
| H155459 | 6F21 | 5 | 110 - 3 | H158736 | 8H22 | 38 | 125 - 53 | H162326 | 6I4 | 7 | 110 - 59 |
| H155510 | 3B25 | 25 | 40 - 5 | H158749 | 5G17 | 2 | 80 - 3 | H162425 | 6I4 | 14 | 110 - 59 |
| H155510 | 9F2 | 4 | 170 - 11 | H158817 | 9D19 | 27 | 130 - 51 | H162425 | 6I8 | 23 | 110 - 63 |
| H155968 | 9B20 | 33B | 130 - 3 | H158819 | 4I6 | 16 | 60 - 43 | H162569 | 4H14 | 36 | 60 - 27 |
| H155973 | 7F10 | 7B | 120 - 87 | H158830 | 6E19 | 3B | 90 - 77 | H162569 | 4H14 | 41B | 60 - 27 |
| H155973 | 8D16 | 28B | 121 - 47 | H158884 | 4I9 | 1 | 60 - 46 | H162569 | 6E17 | 41B | 90 - 75 |
| H155973 | 8D16 | 29 | 121 - 47 | H158946 | 4E19 | 30 | 50 - 73 | H162629 | 8C20 | 25 | 121 - 27 |
| H156098 | 8F10 | 5 | 121 - 89 | H158975 | 4C5 | .. | 50 - 10 | H162629 | 8D10 | 3 | 121 - 41 |
| H156098 | 8F12 | 5 | 121 - 91 | H158975 | 9E22 | 3 | 170 - 7 | H162629 | 9E18 | 6 | 170 - 3 |
| H156100 | 8F10 | 7 | 121 - 89 | H158975 | 9G11 | 5 | 170 - 45 | H162748 | 6C8 | 22 | 90 - 15 |
| H156100 | 8F12 | 7 | 121 - 91 | H159291 | 5E21 | 3 | 70 - 78 | H162850 | 6C24 | 11B | 90 - 31 |
| H156101 | 8F10 | 6 | 121 - 89 | H159491 | 8H22 | 29 | 125 - 53 | H163175 | 6I8 | 22 | 110 - 63 |
| H156101 | 8F12 | 6 | 121 - 91 | H159636 | 6E19 | 30 | 90 - 77 | H163216 | 9G4 | 16 | 170 - 37 |
| H156127 | 4C6 | 6 | 50 - 11 | H159740 | 3C10 | 10 | 40 - 15 | H163216 | 9G9 | 28 | 170 - 43 |
| H156127 | 4C8 | 3 | 50 - 13 | H159740 | 3C10 | 15 | 40 - 15 | H163382 | 9G9 | 29 | 170 - 43 |
| H156360 | 7C14 | 6C | 120 - 21 | H159740 | 3C10 | 17 | 40 - 15 | H163397 | 6E19 | 4 | 90 - 77 |
| H156379 | 6G11 | 30 | 110 - 19 | H159740 | 3C10 | 20 | 40 - 15 | H163409 | 6C24 | 11B | 90 - 31 |
| H156389 | 9G2 | 5 | 170 - 35 | H159740 | 3C10 | 22 | 40 - 15 | H163491 | 4I14 | 10 | 60 - 51 |
| H156389 | 9G15 | 5 | 170 - 49 | H159740 | 3C10 | 24 | 40 - 15 | H163757 | 8I13 | 1 | 125 - 69 |
| H156390 | 4H12 | 42 | 60 - 25 | H159740 | 3C10 | 27 | 40 - 15 | H163787 | 9D21 | 12 | 130 - 53 |
| H156390 | 6E15 | 42 | 90 - 73 | H159740 | 3C10 | 39 | 40 - 15 | H163994 | 6I8 | 13 | 110 - 63 |
| H156513 | 4G22 | 3 | 60 - 11 | H159743 | 6E19 | 37B | 90 - 77 | H164009 | 6I8 | 31 | 110 - 63 |
| H156514 | 4G22 | 1 | 60 - 11 | H159784 | 9D17 | 2 | 130 - 49B | H164018 | 6I8 | 40 | 110 - 63 |
| H156717 | 7E4 | 2 | 120 - 59 | H159806 | 3G9 | 7 | 40 - 115 | H164222 | 6I8 | 10 | 110 - 63 |
| H156717 | 7E6 | 2 | 120 - 61 | H159831 | 3B21 | 1 | 40 - 1 | H164348 | 3F8 | 7 | 40 - 89 |
| H156718 | 7E4 | 2 | 120 - 59 | H159956 | 8E16 | 6 | 121 - 71 | H164348 | 3F10 | 7 | 40 - 91 |
| H156718 | 7E6 | 2 | 120 - 61 | H159956 | 8E18 | 4 | 121 - 73 | H164348 | 3F12 | 7 | 40 - 93 |
| H156936 | 7D8 | 1 | 120 - 39 | H159975 | 6G13 | 2 | 110 - 21 | H164391 | 6H16 | 20 | 110 - 49 |
| H157014 | 4D2 | 3 | 50 - 31 | H159975 | 6G17 | 2 | 110 - 25 | H164391 | 6I8 | 44 | 110 - 63 |
| H157035 | 6I2 | 7 | 110 - 57 | H160187 | 5I20 | 6 | 80 - 55 | H164404 | 9D2 | 17 | 130 - 35 |
| H157041 | 8G2 | 25 | 125 - 9 | H160249 | 5H24 | .. | 80 - 35 | H164410 | 6I4 | 15 | 110 - 59 |
| H157103 | 8G2 | 26 | 125 - 9 | H160265 | 5G17 | 30 | 80 - 3 | H164452 | 6I6 | 11 | 110 - 61 |
| H157108 | 8F21 | 29 | 125 - 3 | H160437 | 3G15 | 6 | 40 - 121 | H164493 | 6I2 | 7 | 110 - 57 |
| H157281 | 7F12 | 1C | 120 - 89 | H160459 | 9G9 | 27 | 170 - 43 | H164508 | 5I14 | 12 | 80 - 49 |
| H157281 | 9C25 | 8 | 130 - 33 | H160715 | 8H22 | 28 | 125 - 53 | H164537 | 6G7 | 25 | 110 - 15 |
| H157427 | 8E22 | 41 | 121 - 77 | H160733 | 5I18 | 8 | 80 - 53 | H164537 | 6I4 | 17 | 110 - 59 |
| H157566 | 6E19 | 5 | 90 - 77 | H160795 | 9G9 | 17 | 170 - 43 | H164537 | 6I8 | 9 | 110 - 63 |
| H157594 | 5C10 | 8 | 70 - 15 | H160804 | 8I13 | 3 | 125 - 69 | H164556 | 8I13 | 3 | 125 - 69 |
| H157687 | 8E22 | 9 | 121 - 77 | H160880 | 3D18 | 6 | 40 - 51 | H164605 | 8G24 | 1A | 125 - 31 |
| H157688 | 8E22 | 36 | 121 - 77 | H160978 | 5I20 | 1 | 80 - 55 | H164605 | 8G24 | 1B | 125 - 31 |
| H157727 | 8E22 | 19 | 121 - 77 | H161091 | 6D9 | 14 | 90 - 41 | H164632 | 3F6 | 1 | 40 - 87 |
| H157740 | 7E14 | 4 | 120 - 67B | H161155 | 1C14 | 10 | 20 - 21 | H164757 | 3H5 | 6 | 40 - 136 |
| H157743 | 7E14 | 5 | 120 - 67B | H161289 | 3G25 | 8 | 40 - 131 | H164759 | 3H5 | 4 | 40 - 136 |
| H157871 | 5C14 | 14 | 70 - 19 | H161289 | 6C20 | 16 | 90 - 27 | H164794 | 4C24 | 20 | 50 - 29 |
| H157967 | 7C20 | 2 | 120 - 27 | H161289 | 6C22 | 17 | 90 - 29 | H164921 | 4H14 | 42C | 60 - 27 |
| H158110 | 4I6 | 16 | 60 - 43 | H161294 | 6H24 | 7 | 110 - 55B | H164921 | 6E17 | 42C | 90 - 75 |
| H158115 | 3F4 | 20 | 40 - 85 | H161295 | 6H24 | 4 | 110 - 55B | H164966 | 6C24 | 11B | 90 - 31 |
| H158181 | 3F4 | 22 | 40 - 85 | H161296 | 6H24 | 2 | 110 - 55B | H165247 | 8F25 | 56 | 125 - 7 |
| H158292 | 3F4 | 6 | 40 - 85 | H161354 | 5H8 | 7 | 80 - 19 | H165247 | 8G2 | 18 | 125 - 9 |
| H158292 | 3F5 | 6 | 40 - 86 | H161529 | 9D21 | 19 | 130 - 53 | H165247 | 9G7 | 7 | 170 - 41 |
| H158364 | 8F12 | 10 | 121 - 91 | H161529 | 9D23 | 8 | 130 - 55 | H165252 | 3F7 | 7 | 40 - 88 |
| H158404 | 8F12 | 12 | 121 - 91 | H161549 | 3B25 | 4 | 40 - 5 | H165317 | 6H16 | 24 | 110 - 49 |
| H158405 | 8F12 | 11 | 121 - 91 | H161648 | 6G3 | 10 | 110 - 10 | H165317 | 6I8 | 42 | 110 - 63 |
| H158525 | 6E19 | 21 | 90 - 77 | H161648 | 6I6 | 10 | 110 - 61 | H165318 | 6H16 | 21 | 110 - 49 |
| H158579 | 3C2 | 3 | 40 - 7 | H162048 | 6D9 | 4 | 90 - 41 | H165318 | 6I8 | 43 | 110 - 63 |

NUMERICAL INDEX - CONTINUED

| PART NO. | GRID | KEY | PAGE | PART NO. | GRID | KEY | PAGE | PART NO. | GRID | KEY | PAGE |
|----------|------|-----|----------|----------|------|-----|----------|----------|------|-----|----------|
| H165320 | 5I16 | 14 | 80 - 51 | H170967 | 9C13 | 20 | 130 - 21 | H63289 | 4D7 | 3 | 50 - 36 |
| H165508 | 4C24 | 4 | 50 - 29 | H171061 | 1C2 | 16 | 20 - 9 | H63289 | 4D8 | 3 | 50 - 37 |
| H165509 | 4D2 | 10 | 50 - 31 | H171061 | 8D8 | 13 | 121 - 39 | H63289 | 4D13 | 14 | 50 - 42 |
| H165510 | 4C8 | 12 | 50 - 13 | H171061 | 8D14 | 15 | 121 - 45 | H63289 | 4D14 | 3 | 50 - 43 |
| H165585 | 5H4 | 15 | 80 - 15 | H171061 | 8D24 | 11 | 121 - 55 | H63289 | 4D15 | 3 | 50 - 44 |
| H165585 | 5H8 | 15 | 80 - 19 | H171061 | 8E12 | 4 | 121 - 67 | H63289 | 4D16 | 14 | 50 - 45 |
| H165587 | 5H4 | 21 | 80 - 15 | H171061 | 8E16 | 20 | 121 - 71 | H63289 | 5C2 | 10 | 70 - 7 |
| H165587 | 5H8 | 21 | 80 - 19 | H171061 | 8E18 | 18 | 121 - 73 | H64374 | 7D16 | 1 | 120 - 47 |
| H165661 | 4C8 | 14 | 50 - 13 | H171061 | 8E20 | 35 | 121 - 75 | H64375 | 8F14 | 12 | 121 - 93 |
| H165662 | 4C8 | 14 | 50 - 13 | H171061 | 8E22 | 34 | 121 - 77 | H64376 | 7C10 | 1 | 120 - 17 |
| H165663 | 4C8 | 14 | 50 - 13 | H171061 | 8I3 | 12 | 125 - 59 | H64376 | 7C22 | 1 | 120 - 29 |
| H165691 | 5B22 | 11 | 70 - 3 | H171061 | 9C15 | 13 | 130 - 23 | H64376 | 8C22 | 15 | 121 - 29 |
| H165691 | 6D1 | 4 | 90 - 33 | H171316 | 7D20 | 13 | 120 - 51 | H64376 | 9D4 | 2 | 130 - 37 |
| H165691 | 6D9 | 3 | 90 - 41 | H171318 | 6I4 | 23 | 110 - 59 | H64376 | 9D4 | 22 | 130 - 37 |
| H165691 | 6F15 | 13 | 90 - 99 | H171318 | 6I8 | 27 | 110 - 63 | H64584 | 5I10 | 16 | 80 - 45 |
| H165691 | 6F17 | 4 | 90 - 101 | H172177 | 6I4 | 14 | 110 - 59 | H64584 | 9C21 | 7 | 130 - 29 |
| H166148 | 5E21 | 3 | 70 - 78 | H172177 | 6I8 | 23 | 110 - 63 | H64612 | 3G15 | 8 | 40 - 121 |
| H166201 | 4D2 | 11 | 50 - 31 | H172923 | 4G22 | 20 | 60 - 11 | H64612 | 3G17 | 12 | 40 - 123 |
| H166201 | 4E19 | 1 | 50 - 73 | H172924 | 4G22 | 14 | 60 - 11 | H64813 | 4D12 | 24 | 50 - 41 |
| H166357 | 3F6 | 2 | 40 - 87 | H172944 | 6C20 | 11 | 90 - 27 | H64813 | 4D22 | 24 | 50 - 51 |
| H167127 | 8F12 | 10 | 121 - 91 | H172944 | 6C22 | 14 | 90 - 29 | H65108 | 8G8 | 4 | 125 - 15 |
| H167159 | 5G25 | 3 | 80 - 11 | H173011 | 9E2 | 41 | 130 - 59 | H748DA | 8D14 | 8 | 121 - 45 |
| H167174 | 6C12 | 1 | 90 - 19 | H173223 | 9D4 | 34 | 130 - 37 | H75267 | 8C10 | 5 | 121 - 17 |
| H167587 | 8G10 | 20 | 125 - 17 | H173336 | 9G9 | 16 | 170 - 43 | H75267 | 8C12 | 3 | 121 - 19 |
| H167723 | 4C17 | 7 | 50 - 22 | H173793 | 6E19 | 21 | 90 - 77 | H75358 | 4C20 | 30 | 50 - 25 |
| H168019 | 8H22 | 43 | 125 - 53 | H173824 | 9F20 | 1 | 170 - 29 | H75385 | 8B23 | 14 | 121 - 5 |
| H168126 | 6F21 | 7 | 110 - 3 | H173824 | 9G9 | 21 | 170 - 43 | H75406 | 7D14 | 21 | 120 - 45 |
| H168165 | 4C8 | 1 | 50 - 13 | H174266 | 4I14 | .. | 60 - 51 | H75423 | 4E9 | .. | 50 - 63 |
| H168165 | 4C9 | 1 | 50 - 14 | H174266 | 9G11 | 1 | 170 - 45 | H75423 | 4I9 | 5 | 60 - 46 |
| H168166 | 4C8 | 1 | 50 - 13 | H175540 | 7E18 | 1 | 120 - 71 | H75541 | 1C12 | 8 | 20 - 19 |
| H168166 | 4C9 | 1 | 50 - 14 | H175590 | 7E24 | 5 | 120 - 77 | H75541 | 2G10 | 14 | 30 - 19 |
| H168421 | 3B25 | 4 | 40 - 5 | H175703 | 6G13 | 4 | 110 - 21 | H75541 | 5D15 | 33 | 70 - 45 |
| H168425 | 6E6 | 10 | 90 - 63 | H22529 | 8G10 | 32 | 125 - 17 | H75541 | 5D17 | 24 | 70 - 47 |
| H168426 | 3C10 | 33 | 40 - 15 | H22784 | 4C17 | 14 | 50 - 22 | H75700 | 4C18 | 8 | 50 - 23 |
| H168431 | 6C2 | 3 | 90 - 9 | H23196 | 6F13 | 6 | 90 - 97 | H75713 | 4E19 | 15 | 50 - 73 |
| H168436 | 6D9 | 4 | 90 - 41 | H2383H | 8E20 | 8 | 121 - 75 | H75714 | 4E19 | 15 | 50 - 73 |
| H168744 | 4C8 | 1 | 50 - 13 | H2383H | 8F14 | 2 | 121 - 93 | H75715 | 4E19 | 15 | 50 - 73 |
| H168744 | 4C9 | 1 | 50 - 14 | H23950 | 8E20 | 19 | 121 - 75 | H75716 | 3G19 | 2 | 40 - 125 |
| H168780 | 5B22 | 11 | 70 - 3 | H23950 | 8F14 | 6 | 121 - 93 | H75716 | 8H18 | 35 | 125 - 49 |
| H168780 | 6D1 | 4 | 90 - 33 | H23950 | 9E19 | 3 | 170 - 4 | H75985 | 6G22 | 5 | 110 - 31 |
| H168780 | 6D9 | 3 | 90 - 41 | H25099 | 8E4 | 6 | 121 - 59 | H75985 | 6G24 | 5 | 110 - 33 |
| H168780 | 6F15 | 13 | 90 - 99 | H25099 | 8E6 | 6 | 121 - 61 | H76064 | 3D4 | 9 | 40 - 37 |
| H168780 | 6F17 | 4 | 90 - 101 | H25099 | 8E8 | 6 | 121 - 63 | H76064 | 3E12 | 5 | 40 - 69 |
| H168924 | 3D23 | 2 | 40 - 56 | H25360 | 6G2 | 7 | 110 - 9 | H76064 | 3E14 | 19 | 40 - 71 |
| H168961 | 4B22 | 14 | 50 - 3 | H26552 | 8I3 | 16 | 125 - 59 | H76064 | 3G15 | 9 | 40 - 121 |
| H168988 | 4B24 | 16 | 50 - 5 | H28031 | 9E5 | 7 | 130 - 63 | H76064 | 3G17 | 5 | 40 - 123 |
| H168988 | 4C2 | 16 | 50 - 7 | H29623 | 9D4 | 18 | 130 - 37 | H76083 | 6G11 | 7 | 110 - 19 |
| H168988 | 4D10 | 23 | 50 - 39 | H32147 | 8F4 | 4 | 121 - 83 | H76083 | 6G22 | 5 | 110 - 31 |
| H168989 | 4B22 | 12 | 50 - 3 | H35112 | 5C8 | 4 | 70 - 13 | H76083 | 6G24 | 5 | 110 - 33 |
| H169344 | 1C16 | 3 | 20 - 23 | H36155 | 7D16 | 29 | 120 - 47 | H76083 | 8H22 | 18 | 125 - 53 |
| H169344 | 9E24 | 2 | 170 - 9 | H36221 | 6B23 | 11 | 90 - 5 | H76083 | 9B22 | 10 | 130 - 5 |
| H169344 | 9G16 | 5 | 170 - 50 | H36221 | 6F13 | 20 | 90 - 97 | H76152 | 4C10 | 7 | 50 - 15 |
| H169712 | 8E22 | 9 | 121 - 77 | H36256 | 4H14 | 48 | 60 - 27 | H76441 | 4E19 | 20 | 50 - 73 |
| H169764 | 9G9 | 29 | 170 - 43 | H36256 | 6E17 | 48 | 90 - 75 | H77337 | 3E24 | 14 | 40 - 81 |
| H169793 | 2F18 | 10 | 30 - 3 | H61355 | 4F20 | 29 | 50 - 99 | H77337 | 6E25 | 9 | 90 - 83 |
| H169794 | 2F18 | 7 | 30 - 3 | H63271 | 4D4 | 3 | 50 - 33 | H77358 | 6E6 | 11 | 90 - 63 |
| H170105 | 9F12 | 2 | 170 - 21 | H63271 | 4D6 | 17 | 50 - 35 | H77507 | 2F18 | 8 | 30 - 3 |
| H170105 | 9G16 | 5 | 170 - 50 | H63271 | 4D7 | 26 | 50 - 36 | H77698 | 3E6 | 11 | 40 - 63 |
| H170303 | 2F24 | 2 | 30 - 9 | H63271 | 4D8 | 26 | 50 - 37 | H77698 | 6F13 | .. | 90 - 97 |
| H170303 | 2G2 | 2 | 30 - 11 | H63271 | 4D12 | 2 | 50 - 41 | H77698 | 6H12 | 14 | 110 - 45 |
| H170303 | 8B23 | 21C | 121 - 5 | H63271 | 4D14 | 26 | 50 - 43 | H77698 | 8H6 | 17 | 125 - 37 |
| H170634 | 3H4 | 9 | 40 - 135 | H63271 | 4D15 | 26 | 50 - 44 | H77739 | 4B22 | 10 | 50 - 3 |
| H170634 | 6F21 | 30 | 110 - 3 | H63271 | 4D18 | 3 | 50 - 47 | H78340 | 8E14 | 4 | 121 - 69 |
| H170634 | 6F23 | .. | 110 - 5 | H63271 | 4D20 | 17 | 50 - 49 | H78340 | 8H6 | 31 | 125 - 37 |
| H170634 | 6H20 | 19 | 110 - 53 | H63271 | 4D22 | 2 | 50 - 51 | H78354 | 8G8 | 4 | 125 - 15 |
| H170634 | 6H20 | 25 | 110 - 53 | H63288 | 4D13 | 13 | 50 - 42 | H78557 | 5I12 | 13 | 80 - 47 |
| H170967 | 9C13 | 14 | 130 - 21 | H63288 | 4D16 | 13 | 50 - 45 | H78856 | 6F21 | 25 | 110 - 3 |

NUMERICAL INDEX - CONTINUED

| PART NO. | GRID | KEY | PAGE | PART NO. | GRID | KEY | PAGE | PART NO. | GRID | KEY | PAGE |
|----------|------|-----|-----------|----------|------|-----|----------|----------|------|-----|-----------|
| H78856 | 6H20 | 9 | 110 - 53 | H85184 | 5I14 | 6 | 80 - 49 | H93631 | 8C20 | 22 | 121 - 27 |
| H78856 | 8C8 | 16 | 121 - 15 | H85184 | 5I16 | 13 | 80 - 51 | H93645 | 8C22 | 3 | 121 - 29 |
| H79910 | 1D11 | .. | 25 - 5 | H85184 | 7D12 | 7 | 120 - 43 | H93674 | 4E19 | 6 | 50 - 73 |
| H79910 | 2C2 | 26 | 26 - 5 | H85184 | 7D18 | 12 | 120 - 49 | H93675 | 4E19 | 11 | 50 - 73 |
| H80197 | 6F21 | 24 | 110 - 3 | H85184 | 8F23 | 31 | 125 - 5 | H93676 | 4E19 | 13 | 50 - 73 |
| H80197 | 6H20 | 8 | 110 - 53 | H85233 | 6B25 | 5 | 90 - 7 | H93681 | 4E19 | 22 | 50 - 73 |
| H80197 | 8C8 | 15 | 121 - 15 | H85233 | 7F2 | 1 | 120 - 79 | H93927 | 6G2 | 15 | 110 - 9 |
| H80228 | 9D21 | 8 | 130 - 53 | H85482 | 6F21 | 29 | 110 - 3 | H93927 | 6H20 | 27 | 110 - 53 |
| H80306 | 3H5 | 6 | 40 - 136 | H85482 | 6H20 | 13 | 110 - 53 | H94167 | 7D16 | 24 | 120 - 47 |
| H80440 | 4H23 | 4 | 60 - 36 | H85482 | 8C8 | 19 | 121 - 15 | H94386 | 8D6 | 13 | 121 - 37 |
| H80753 | 4H14 | 35 | 60 - 27 | H86108 | 2F24 | 4 | 30 - 9 | H94386 | 8D24 | 24 | 121 - 55 |
| H80753 | 6E17 | 35 | 90 - 75 | H86108 | 2G2 | 4 | 30 - 11 | H94505 | 3C10 | 3 | 40 - 15 |
| H80796 | 9G7 | 11 | 170 - 41 | H86161 | 4I9 | 4 | 60 - 46 | H94946 | 4I9 | 1 | 60 - 46 |
| H80821 | 4G14 | 9 | 60 - 3 | H86760 | 8H23 | 10 | 125 - 54 | H94950 | 4I8 | 17 | 60 - 45 |
| H80821 | 5E25 | 10 | 70 - 83 | H86783 | 8D16 | 12 | 121 - 47 | H94951 | 4I8 | 8 | 60 - 45 |
| H80821 | 5F2 | 11 | 70 - 85 | H86896 | 9G16 | 3 | 170 - 50 | H95042 | 5D9 | 8 | 70 - 39 |
| H80821 | 5F4 | 8 | 70 - 87 | H871R | 6F23 | 4 | 110 - 5 | H95203 | 8G8 | 18 | 125 - 15 |
| H80821 | 8H12 | 10 | 125 - 43 | H871R | 8D2 | 8 | 121 - 33 | H95236 | 9G16 | 5 | 170 - 50 |
| H80896 | 1C4 | 25 | 20 - 11 | H87206 | 8D22 | 28 | 121 - 53 | H95273 | 9G16 | 3 | 170 - 50 |
| H80896 | 6F2 | 15 | 90 - 85 | H87268 | 7F2 | 12 | 120 - 79 | H95368 | 4B22 | 19 | 50 - 3 |
| H80896 | 9E18 | 4 | 170 - 3 | H87691 | 4C6 | 5 | 50 - 11 | H95417 | 6F21 | 32 | 110 - 3 |
| H80926 | 6G2 | 1 | 110 - 9 | H87691 | 4C7 | 9 | 50 - 12 | H95417 | 6H20 | 16 | 110 - 53 |
| H81010 | 6F13 | 21 | 90 - 97 | H87691 | 4C8 | 6 | 50 - 13 | H95499 | 6G5 | 17 | 110 - 13 |
| H81330 | 9C23 | 5 | 130 - 31 | H87691 | 4C9 | 6 | 50 - 14 | H95547 | 4I14 | 5 | 60 - 51 |
| H81330 | 9D15 | 6 | 130 - 49 | H88769 | 1C16 | 4 | 20 - 23 | H95902 | 4G22 | 18 | 60 - 11 |
| H81330 | 9D17 | 6 | 130 - 49B | H88769 | 1C16 | 5 | 20 - 23 | H96148 | 9D13 | 4 | 130 - 46 |
| H81461 | 4H2 | 30 | 60 - 15 | H88769 | 5G23 | 1 | 80 - 9 | H96149 | 9D4 | 7 | 130 - 37 |
| H81467 | 4H2 | 17 | 60 - 15 | H88769 | 5G23 | 2 | 80 - 9 | H96169 | 9D4 | 1 | 130 - 37 |
| H81742 | 1C4 | 25 | 20 - 11 | H88769 | 5G23 | 9 | 80 - 9 | H96226 | 8D10 | 14 | 121 - 41 |
| H81742 | 6E25 | 17 | 90 - 83 | H88769 | 5G25 | 5 | 80 - 11 | H96227 | 8D10 | 12 | 121 - 41 |
| H81742 | 9E18 | 4 | 170 - 3 | H88771 | 8B23 | 22 | 121 - 5 | H96228 | 9D8 | 3 | 130 - 41 |
| H82060 | 9C19 | 15 | 130 - 27 | H88773 | 6E19 | 6 | 90 - 77 | H96228 | 9D13 | 13 | 130 - 46 |
| H82232 | 4C20 | 3 | 50 - 25 | H88773 | 9B20 | 17 | 130 - 3 | H96232 | 8D10 | 13 | 121 - 41 |
| H82232 | 4C20 | .. | 50 - 25 | H88783 | 8F4 | 6 | 121 - 83 | H96267 | 9D4 | 6 | 130 - 37 |
| H82233 | 4C20 | 4 | 50 - 25 | H88800 | 8F23 | 36 | 125 - 5 | H96294 | 9D4 | 14 | 130 - 37 |
| H82234 | 4C20 | 2 | 50 - 25 | H88807 | 8F4 | 9 | 121 - 83 | H96297 | 9D4 | 13 | 130 - 37 |
| H82234 | 4C20 | .. | 50 - 25 | H88809 | 8F4 | 7 | 121 - 83 | H96298 | 9D4 | 13 | 130 - 37 |
| H82418 | 8D24 | 23 | 121 - 55 | H89241 | 5G8 | 3 | 70 - 115 | H96345 | 9D13 | 8 | 130 - 46 |
| H82418 | 8E16 | 5 | 121 - 71 | H89297 | 6G5 | 7 | 110 - 13 | H96346 | 9D13 | 5 | 130 - 46 |
| H82418 | 8E18 | 25 | 121 - 73 | H89431 | 4C4 | 5 | 50 - 9 | H96391 | 6D16 | 7 | 90 - 49 |
| H82619 | 8B23 | 18 | 121 - 5 | H89515 | 8E4 | 11 | 121 - 59 | H96391 | 6D16 | 12A | 90 - 49 |
| H82620 | 8C18 | 7 | 121 - 25 | H89515 | 8E6 | 11 | 121 - 61 | H96455 | 6E8 | 23 | 90 - 65 |
| H82620 | 8C20 | 32 | 121 - 27 | H89515 | 8E8 | 12 | 121 - 63 | H96455 | 6E10 | 2 | 90 - 67 |
| H82988 | 7D14 | 22 | 120 - 45 | H89525 | 8D22 | 29 | 121 - 53 | H96645 | 9D19 | 17 | 130 - 51 |
| H83055 | 6D16 | 11 | 90 - 49 | H89544 | 5G17 | 13 | 80 - 3 | H96652 | 9D8 | 12 | 130 - 41 |
| H83060 | 3G13 | 15 | 40 - 119 | H89569 | 9C17 | 8 | 130 - 25 | H96652 | 9D15 | 7 | 130 - 49 |
| H83089 | 7D16 | 16A | 120 - 47 | H89569 | 9C19 | 8 | 130 - 27 | H96652 | 9D17 | 7 | 130 - 49B |
| H83135 | 4C3 | 6 | 50 - 8 | H89617 | 6F23 | 6 | 110 - 5 | H96690 | 6C8 | 15 | 90 - 15 |
| H83285 | 1B24 | 10 | 20 - 7 | H89752 | 7C8 | 3A | 120 - 15 | H96690 | 7E18 | 12 | 120 - 71 |
| H83790 | 3H2 | 2 | 40 - 133 | H89853 | 7C12 | 23 | 120 - 19 | H96869 | 4I8 | 3 | 60 - 45 |
| H83791 | 3H2 | 3 | 40 - 133 | H91205 | 7D14 | 14 | 120 - 45 | H97306 | 8C20 | 38 | 121 - 27 |
| H83795 | 8G10 | 26 | 125 - 17 | H91228 | 8G10 | 12 | 125 - 17 | H97308 | 6F21 | 15 | 110 - 3 |
| H84026 | 6H4 | 4 | 110 - 37 | H91315 | 6D1 | 5 | 90 - 33 | H97322 | 6H2 | 9 | 110 - 35 |
| H84026 | 6H4 | 34 | 110 - 37 | H91788 | 3E24 | 15 | 40 - 81 | H97322 | 6H2 | 13 | 110 - 35 |
| H84318 | 4E12 | 13 | 50 - 66 | H91788 | 8E4 | 12 | 121 - 59 | H97322 | 6H4 | 17 | 110 - 37 |
| H84375 | 4I14 | 3 | 60 - 51 | H91788 | 8E6 | 12 | 121 - 61 | H97378 | 6H12 | 5 | 110 - 45 |
| H84375 | 4I15 | 2 | 60 - 52 | H91788 | 8E8 | 13 | 121 - 63 | H97410 | 6F21 | 33 | 110 - 3 |
| H84869 | 6G13 | 7 | 110 - 21 | H91796 | 8G10 | 15 | 125 - 17 | H97410 | 6H20 | 15 | 110 - 53 |
| H84942 | 6H4 | 18 | 110 - 37 | H92260 | 6F21 | 20 | 110 - 3 | H97513 | 8D14 | 4 | 121 - 45 |
| H84948 | 6D7 | 16 | 90 - 39 | H92308 | 4C24 | 21 | 50 - 29 | H97574 | 8H18 | 19 | 125 - 49 |
| H84948 | 6F25 | 16 | 110 - 7 | H93084 | 6H12 | 13 | 110 - 45 | H97919 | 6H4 | 28 | 110 - 37 |
| H84990 | 8F16 | 2 | 121 - 95 | H93368 | 6F21 | 5 | 110 - 3 | H98111 | 6C8 | 18 | 90 - 15 |
| H84990 | 8F23 | 34 | 125 - 5 | H93399 | 8E2 | 26 | 121 - 57 | H98111 | 6C8 | 19 | 90 - 15 |
| H84992 | 8F23 | 26 | 125 - 5 | H93556 | 6G13 | 2 | 110 - 21 | H98409 | 6H12 | 15 | 110 - 45 |
| H85015 | 8H18 | 22 | 125 - 49 | H93556 | 6G17 | 2 | 110 - 25 | H98494 | 3F2 | 6 | 40 - 83 |
| H85184 | 5H22 | 15 | 80 - 33 | H93619 | 3E19 | 2 | 40 - 76 | H98546 | 7D20 | 29 | 120 - 51 |
| H85184 | 5I12 | 1 | 80 - 47 | H93630 | 8C20 | 23 | 121 - 27 | H98546 | 9B20 | 20 | 130 - 3 |

NUMERICAL INDEX - CONTINUED

| PART NO. | GRID | KEY | PAGE | PART NO. | GRID | KEY | PAGE | PART NO. | GRID | KEY | PAGE |
|----------|------|-----|----------|----------|------|-----|----------|----------|------|-----|----------|
| H98547 | 9B20 | 22 | 130 - 3 | JD39102 | 8I7 | 6 | 125 - 63 | JD7778 | 9D4 | 19 | 130 - 37 |
| H98655 | 6G5 | 28 | 110 - 13 | JD39102 | 8I7 | 12 | 125 - 63 | JD7788 | 1C2 | 20 | 20 - 9 |
| H987R | 3D4 | 7 | 40 - 37 | JD39102 | 8I7 | 24 | 125 - 63 | JD7788 | 4I10 | 9 | 60 - 47 |
| H98765 | 3F2 | 1 | 40 - 83 | JD39102 | 8I9 | 6 | 125 - 65 | JD7788 | 4I11 | 13 | 60 - 48 |
| H98765 | 5F8 | 3 | 70 - 91 | JD39102 | 8I9 | 14 | 125 - 65 | JD7788 | 4I12 | 13 | 60 - 49 |
| H98765 | 9E2 | 2 | 130 - 59 | JD39102 | 9B20 | 5 | 130 - 3 | JD7788 | 7C18 | 3 | 120 - 25 |
| H98906 | 6F23 | 14 | 110 - 5 | JD39103 | 8H18 | 5 | 125 - 49 | JD7788 | 7D2 | 8 | 120 - 33 |
| H99025 | 8F25 | 43 | 125 - 7 | JD39103 | 8I5 | 15 | 125 - 61 | JD7788 | 7D10 | 29 | 120 - 41 |
| H99147 | 1C2 | 16 | 20 - 9 | JD39103 | 9B20 | 11 | 130 - 3 | JD7788 | 7D20 | 2 | 120 - 51 |
| H99147 | 8D8 | 13 | 121 - 39 | JD39103 | 9C4 | 4 | 130 - 11 | JD7788 | 8D10 | 5 | 121 - 41 |
| H99147 | 8D14 | 15 | 121 - 45 | JD39104 | 7F10 | 5 | 120 - 87 | JD7788 | 8D10 | 6 | 121 - 41 |
| H99147 | 8D24 | 11 | 121 - 55 | JD39104 | 7F10 | 10 | 120 - 87 | JD7788 | 8E14 | 18 | 121 - 69 |
| H99147 | 8E12 | 4 | 121 - 67 | JD39104 | 9D21 | 20 | 130 - 53 | JD7788 | 9D6 | 4 | 130 - 39 |
| H99147 | 8E16 | 20 | 121 - 71 | JD39104 | 9D23 | 9 | 130 - 55 | JD7797 | 1C2 | 20 | 20 - 9 |
| H99147 | 8E18 | 18 | 121 - 73 | JD39104 | 9E2 | 34 | 130 - 59 | JD7797 | 4H23 | 3 | 60 - 36 |
| H99147 | 8E20 | 35 | 121 - 75 | JD39109 | 8D22 | 53 | 121 - 53 | JD7797 | 4I10 | 1 | 60 - 47 |
| H99147 | 8E22 | 34 | 121 - 77 | JD5127 | 9G9 | 24 | 170 - 43 | JD7797 | 4I11 | 1 | 60 - 48 |
| H99147 | 8I3 | 12 | 125 - 59 | JD5255 | 9G9 | 24 | 170 - 43 | JD7797 | 4I12 | 1 | 60 - 49 |
| H99147 | 9C15 | 13 | 130 - 23 | JD5400 | 9E22 | 6 | 170 - 7 | JD7797 | 7C18 | 2 | 120 - 25 |
| H99149 | 7C10 | 3 | 120 - 17 | JD5400 | 9G13 | 8 | 170 - 47 | JD7797 | 7D2 | 7 | 120 - 33 |
| H99149 | 7C22 | 4 | 120 - 29 | JD5401 | 9E22 | 6 | 170 - 7 | JD7797 | 8B23 | 3 | 121 - 5 |
| H99149 | 8C22 | 12 | 121 - 29 | JD5401 | 9G13 | 8 | 170 - 47 | JD7797 | 8C8 | 8 | 121 - 15 |
| H99264 | 4G22 | 19 | 60 - 11 | JD5592 | 9G13 | 5 | 170 - 47 | JD7797 | 8C18 | 5 | 121 - 25 |
| H99294 | 4H14 | 46 | 60 - 27 | JD7126 | 9D21 | 11 | 130 - 53 | JD7797 | 8D2 | 25 | 121 - 33 |
| H99294 | 6E17 | 46 | 90 - 75 | JD7222 | 4E19 | 7 | 50 - 73 | JD7797 | 8D22 | 38 | 121 - 53 |
| H99303 | 6H10 | 10 | 110 - 43 | JD7292 | 8C10 | 11 | 121 - 17 | JD7797 | 8E20 | 26 | 121 - 75 |
| H99599 | 9D2 | 16 | 130 - 35 | JD7292 | 8C12 | 11 | 121 - 19 | JD7797 | 8E22 | 25 | 121 - 77 |
| H99600 | 5H2 | 6 | 80 - 13 | JD7294 | 4E19 | 8 | 50 - 73 | JD7797 | 8H18 | 20 | 125 - 49 |
| H99613 | 9D13 | 2 | 130 - 46 | JD7297 | 4D22 | 19 | 50 - 51 | JD7797 | 9D6 | 6 | 130 - 39 |
| H99613 | 9D13 | 3 | 130 - 46 | JD7298 | 4C17 | 10 | 50 - 22 | JD7797 | 9D13 | 14 | 130 - 46 |
| H99638 | 7D16 | 25 | 120 - 47 | JD7378 | 8C10 | 10 | 121 - 17 | JD7797 | 9E2 | 25 | 130 - 59 |
| H99897 | 2F18 | 2 | 30 - 3 | JD7378 | 8C12 | 10 | 121 - 19 | JD7798 | 8C20 | 26 | 121 - 27 |
| H99923 | 4H23 | 4 | 60 - 36 | JD7395 | 8C14 | 11 | 121 - 21 | JD7799 | 4E9 | 11 | 50 - 63 |
| H99923 | 6D11 | 20 | 90 - 43 | JD7395 | 8C16 | 11 | 121 - 23 | JD7806 | 4I10 | 9 | 60 - 47 |
| H99923 | 6E12 | 16 | 90 - 69 | JD7418 | 8C14 | 10 | 121 - 21 | JD7806 | 4I11 | 13 | 60 - 48 |
| H99923 | 7C10 | 18 | 120 - 17 | JD7418 | 8C16 | 10 | 121 - 23 | JD7806 | 4I12 | 13 | 60 - 49 |
| IPSKIT1 | 1D9 | .. | 25 - 2 | JD7425 | 4C24 | 9 | 50 - 29 | JD7806 | 8D10 | 6 | 121 - 41 |
| IPSKIT1 | 2B24 | .. | 26 - 3 | JD7441 | 8D2 | 29 | 121 - 33 | JD7806 | 9D8 | 2 | 130 - 41 |
| JD10010 | 6F23 | 15 | 110 - 5 | JD7448 | 4D24 | 9 | 50 - 53 | JD7839 | 8D8 | 10 | 121 - 39 |
| JD10011 | 6F23 | 21 | 110 - 5 | JD7502 | 4C24 | 3 | 50 - 29 | JD7842 | 6H22 | 12 | 110 - 55 |
| JD10011 | 8D18 | 2 | 121 - 49 | JD7681 | 9C13 | 13 | 130 - 21 | JD7844 | 8F16 | 5 | 121 - 95 |
| JD10017 | 8C20 | 14 | 121 - 27 | JD7686 | 8D16 | 22 | 121 - 47 | JD7845 | 7C10 | 9 | 120 - 17 |
| JD10018 | 6H12 | 4 | 110 - 45 | JD7689 | 9C13 | 11 | 130 - 21 | JD7845 | 7C22 | 9 | 120 - 29 |
| JD10020 | 6G22 | 20 | 110 - 31 | JD7759 | 1C2 | 20 | 20 - 9 | JD7845 | 7D10 | 19 | 120 - 41 |
| JD10020 | 6G24 | 14 | 110 - 33 | JD7759 | 4I8 | 18 | 60 - 45 | JD7845 | 8C22 | 11 | 121 - 29 |
| JD10032 | 8D2 | 45 | 121 - 33 | JD7759 | 4I9 | 6 | 60 - 46 | JD7845 | 8I15 | 1 | 125 - 71 |
| JD10134 | 4E17 | 2 | 50 - 71 | JD7759 | 6F21 | 13 | 110 - 3 | JD7845 | 8I17 | 3 | 125 - 73 |
| JD10135 | 4E17 | 1 | 50 - 71 | JD7759 | 6H12 | 10 | 110 - 45 | JD7845 | 9E7 | 4 | 130 - 65 |
| JD10182 | 4C20 | 24 | 50 - 25 | JD7759 | 7C10 | 11 | 120 - 17 | JD7846 | 8D20 | 5 | 121 - 51 |
| JD10214 | 8D2 | 30 | 121 - 33 | JD7759 | 7C22 | 11 | 120 - 29 | JD7846 | 8E2 | 15 | 121 - 57 |
| JD10266 | 4C17 | 11 | 50 - 22 | JD7759 | 7D10 | 23 | 120 - 41 | JD7846 | 8F23 | 10 | 125 - 5 |
| JD10312 | 8E14 | 9 | 121 - 69 | JD7759 | 7F6 | 14 | 120 - 83 | JD7847 | 4D24 | 14 | 50 - 53 |
| JD10342 | 7C10 | 7 | 120 - 17 | JD7759 | 7F8 | 7 | 120 - 85 | JD7847 | 4E9 | 11 | 50 - 63 |
| JD10342 | 7C22 | 7 | 120 - 29 | JD7759 | 8C22 | 9 | 121 - 29 | JD8147 | 4C24 | 8 | 50 - 29 |
| JD10342 | 8C22 | 6 | 121 - 29 | JD7759 | 8D8 | 1 | 121 - 39 | JD8162 | 8B21 | 14 | 121 - 3 |
| JD10343 | 7C10 | 8 | 120 - 17 | JD7759 | 8D10 | 4 | 121 - 41 | JD8162 | 8B25 | 3 | 121 - 7 |
| JD10343 | 7C22 | 8 | 120 - 29 | JD7759 | 8D10 | 5 | 121 - 41 | JD8162 | 8C4 | 5 | 121 - 11 |
| JD10343 | 8C22 | 13 | 121 - 29 | JD7759 | 8E2 | 5 | 121 - 57 | JD8164 | 8C10 | 7 | 121 - 17 |
| JD10362 | 1F2 | 16 | 25 - 47 | JD7759 | 9C8 | 9 | 130 - 15 | JD8164 | 8C12 | 7 | 121 - 19 |
| JD10362 | 1F4 | 9 | 25 - 49 | JD7759 | 9D4 | 19 | 130 - 37 | JD8182 | 4C22 | 18 | 50 - 27 |
| JD10363 | 1F2 | 14 | 25 - 47 | JD7759 | 9D8 | 29 | 130 - 41 | JD8206 | 8B21 | 15 | 121 - 3 |
| JD10363 | 1F4 | 7 | 25 - 49 | JD7760 | 4C16 | 4 | 50 - 21 | JD8206 | 8B25 | 2 | 121 - 7 |
| JD10387 | 8F23 | 8 | 125 - 5 | JD7760 | 6H22 | 3 | 110 - 55 | JD8206 | 8C4 | 6 | 121 - 11 |
| JD10401 | 4D2 | 2 | 50 - 31 | JD7763 | 9D4 | 19 | 130 - 37 | JD8206 | 8C6 | 2 | 121 - 13 |
| JD10462 | 4D24 | 8 | 50 - 53 | JD7767 | 7D16 | 15 | 120 - 47 | JD8210 | 8C10 | 8 | 121 - 17 |
| JD39102 | 1B18 | 8 | 20 - 1 | JD7768 | 7D16 | 15 | 120 - 47 | JD8210 | 8C12 | 6 | 121 - 19 |
| JD39102 | 1B20 | 38 | 20 - 3 | JD7769 | 4E17 | 18 | 50 - 71 | JD8222 | 4D2 | 1 | 50 - 31 |

NUMERICAL INDEX - CONTINUED

| PART NO. | GRID | KEY | PAGE | PART NO. | GRID | KEY | PAGE | PART NO. | GRID | KEY | PAGE |
|----------|------|-----|--------|----------|------|-----|--------|----------|------|-----|--------|
| JD8223 | 4C22 | 19 | 50-27 | JD9313 | 8H23 | 6 | 125-54 | M43835 | 3D10 | 10 | 40-43 |
| JD8237 | 4C20 | 23 | 50-25 | JD9356 | 6H18 | 7 | 110-51 | M43835 | 3F20 | 2 | 40-101 |
| JD8237 | 4I8 | 13 | 60-45 | JD9373 | 6G22 | 17 | 110-31 | M44269 | 7D4 | 3 | 120-35 |
| JD8239 | 8D2 | 3 | 121-33 | JD9373 | 6G22 | 20 | 110-31 | M45123 | 8D4 | 3 | 121-35 |
| JD8255 | 8C14 | 2 | 121-21 | JD9373 | 6G24 | 20 | 110-33 | M47566 | 7D6 | 10 | 120-37 |
| JD8255 | 8C16 | 2 | 121-23 | JD9373 | 9D19 | 4 | 130-51 | M48000 | 4D6 | 2 | 50-35 |
| JD8257 | 4C20 | 5 | 50-25 | JD9395 | 3E18 | 16 | 40-75 | M48000 | 4D10 | 15 | 50-39 |
| JD8257 | 4C20 | .. | 50-25 | JD9434 | 7D10 | 16 | 120-41 | M48000 | 4D20 | 2 | 50-49 |
| JD8258 | 4I8 | 11 | 60-45 | JD9442 | 8G10 | 17 | 125-17 | M48109 | 3C18 | 1 | 40-25 |
| JD8267 | 4C22 | 5 | 50-27 | JD9449 | 3E18 | 16 | 40-75 | M48869 | 5E25 | 23 | 70-83 |
| JD8285 | 4E19 | 16 | 50-73 | JD9490 | 7D20 | 6 | 120-51 | M48869 | 5F2 | 4 | 70-85 |
| JD8524 | 9D4 | 8 | 130-37 | JD9849 | 4D24 | 2 | 50-53 | M48869 | 5F4 | 3 | 70-87 |
| JD8551 | 6H4 | 27 | 110-37 | J16931 | 1B20 | 21 | 20-3 | M48869 | 8H12 | 4 | 125-43 |
| JD8552 | 6H4 | 29 | 110-37 | J16931 | 5F8 | 13 | 70-91 | M63707 | 4E14 | 13 | 50-68 |
| JD8554 | 7D14 | 20 | 120-45 | J16931 | 5H14 | 7 | 80-25 | M63707 | 4G12 | 13 | 60-1 |
| JD8554 | 8G10 | 11 | 125-17 | J16931 | 8F25 | 59 | 125-7 | M63707 | 5G13 | 13 | 70-120 |
| JD8554 | 8G12 | 17 | 125-19 | J16931 | 8I5 | 5 | 125-61 | M63707 | 8C24 | 9 | 121-31 |
| JD8554 | 9D19 | 13 | 130-51 | J16931 | 9D4 | 36 | 130-37 | M63707 | 8D2 | 17 | 121-33 |
| JD8563 | 8G10 | 18 | 125-17 | J16931 | 9E2 | 40 | 130-59 | M63707 | 8D4 | 11 | 121-35 |
| JD8576 | 6H18 | 8 | 110-51 | J18468 | 9D19 | 23 | 130-51 | M66044 | 3E8 | 34 | 40-65 |
| JD8576 | 8F16 | 10 | 121-95 | J21022 | 8H18 | 15 | 125-49 | M66044 | 3E14 | 21 | 40-71 |
| JD8576 | 8F23 | 11 | 125-5 | J2375M | 5D13 | 1 | 70-43 | M66125 | 8I7 | 12 | 125-63 |
| JD8665 | 7D16 | 11 | 120-47 | J2375M | 5D15 | 3 | 70-45 | M66125 | 8I7 | 23 | 125-63 |
| JD8665 | 8G10 | 7 | 125-17 | J2375M | 5D17 | 3 | 70-47 | M68701 | 3D4 | 5 | 40-37 |
| JD8665 | 9D19 | 16 | 130-51 | K40001 | 5D13 | 25 | 70-43 | M68701 | 5I2 | 10 | 80-37 |
| JD8668 | 8C20 | 16 | 121-27 | K40001 | 5D15 | 29 | 70-45 | M68701 | 5I4 | 14 | 80-39 |
| JD8676 | 8C2 | 17 | 121-9 | K40001 | 5D17 | 21 | 70-47 | M71184 | 3C12 | 7 | 40-19 |
| JD8819 | 6F23 | 9 | 110-5 | K40003 | 9D19 | 10 | 130-51 | M71184 | 3C12 | 8 | 40-19 |
| JD8902 | 4I8 | 14 | 60-45 | K40994 | 5E9 | 15 | 70-65 | M71184 | 3C14 | 7 | 40-21 |
| JD8947 | 4C20 | 6 | 50-25 | L1526N | 9C2 | 5 | 130-9 | M71184 | 3C14 | 8 | 40-21 |
| JD8952 | 4I8 | 10 | 60-45 | L1730N | 6G5 | 3 | 110-13 | M71442 | 3C12 | 5 | 40-19 |
| JD8956 | 4E17 | 10 | 50-71 | L1880N | 3D4 | 2 | 40-37 | M71442 | 3C12 | 7 | 40-19 |
| JD8960 | 8D2 | 4 | 121-33 | L24517 | 5C16 | 7 | 70-21 | M71442 | 3C12 | 8 | 40-19 |
| JD8979 | 4C22 | 6 | 50-27 | L29041 | 8B21 | 3 | 121-3 | M71442 | 3C14 | 5 | 40-21 |
| JD9007 | 8C4 | 12 | 121-11 | L29042 | 8B21 | 3 | 121-3 | M71442 | 3C14 | 7 | 40-21 |
| JD9007 | 8C6 | 4 | 121-13 | L29043 | 8B21 | 3 | 121-3 | M71442 | 3C14 | 8 | 40-21 |
| JD9043 | 4E5 | 5 | 50-58 | L29044 | 8B21 | 3 | 121-3 | M71770 | 5E23 | 16 | 70-81 |
| JD9075 | 4E19 | 29 | 50-73 | L33993 | 3E22 | 1 | 40-79 | M72490 | 1E19 | 5 | 25-39 |
| JD9075 | 8C6 | 12 | 121-13 | L3483N | 8H6 | 23 | 125-37 | M72490 | 1G2 | 11 | 25-73 |
| JD9076 | 4D6 | 9 | 50-35 | L36230 | 5F14 | 19 | 70-97 | M72490 | 1G4 | 10 | 25-75 |
| JD9076 | 4D20 | 9 | 50-49 | L38138 | 3C12 | 5 | 40-19 | M72490 | 1G6 | 7 | 25-77 |
| JD9078 | 8C14 | 1 | 121-21 | L38138 | 3C14 | 5 | 40-21 | M72490 | 2E2 | 15 | 26-59 |
| JD9078 | 8C16 | 1 | 121-23 | L39871 | 3G15 | 3 | 40-121 | M72490 | 2E4 | 15 | 26-61 |
| JD9091 | 4E19 | 24 | 50-73 | L39871 | 4I6 | 15 | 60-43 | M72490 | 2E6 | 15 | 26-61B |
| JD9091 | 8B21 | 1 | 121-3 | L64995 | 9F10 | 1 | 170-19 | M72490 | 2E8 | 16 | 26-63 |
| JD9092 | 4C17 | 4 | 50-22 | L64995 | 9F22 | 2 | 170-31 | M72490 | 2E10 | 15 | 26-65 |
| JD9109 | 4E5 | 4 | 50-58 | L64995 | 9G5 | 1 | 170-38 | M72490 | 2E12 | 15 | 26-65B |
| JD9113 | 4D12 | 19 | 50-41 | L64995 | 9G18 | 7 | 170-52 | M72598 | 5H22 | 2 | 80-33 |
| JD9120 | 4E17 | 9 | 50-71 | M111701 | 1B20 | 20 | 20-3 | M72598 | 5I12 | 7 | 80-47 |
| JD9132 | 4E19 | 28 | 50-73 | M112271 | 9D4 | 35 | 130-37 | M72598 | 6G7 | 19 | 110-15 |
| JD9132 | 8C6 | 13 | 121-13 | M112639 | 8G18 | 15 | 125-25 | M72598 | 6G9 | 19 | 110-17 |
| JD9133 | 4D6 | 9 | 50-35 | M121T | 3G7 | 5 | 40-113 | M72598 | 6G11 | 19 | 110-19 |
| JD9133 | 4D20 | 9 | 50-49 | M15973 | 8G10 | 20 | 125-17 | M72598 | 6G15 | 6 | 110-23 |
| JD9146 | 4E19 | 25 | 50-73 | M2300T | 7D16 | 6 | 120-47 | M72598 | 7D18 | 10 | 120-49 |
| JD9146 | 8B21 | 2 | 121-3 | M2300T | 8G10 | 14 | 125-17 | M72598 | 7D24 | 8 | 120-55 |
| JD9147 | 4C17 | 5 | 50-22 | M2301T | 3G19 | 3 | 40-125 | M72598 | 8G24 | 3 | 125-31 |
| JD9201 | 6G2 | 13 | 110-9 | M2353T | 8D8 | 15 | 121-39 | M73000 | 6G2 | 9 | 110-9 |
| JD9201 | 6H20 | 26 | 110-53 | M2952DN | 6G5 | 3 | 110-13 | M73000 | 6H20 | 22 | 110-53 |
| JD9201 | 7D10 | 14 | 120-41 | M41029 | 4C20 | 35 | 50-25 | M73346 | 8D18 | 13B | 121-49 |
| JD9202 | 6G2 | 17 | 110-9 | M41029 | 5F2 | 2 | 70-85 | M78494 | 2G12 | 3 | 30-21 |
| JD9202 | 6H20 | 28 | 110-53 | M41029 | 5F4 | 1 | 70-87 | M80082 | 3C16 | 1 | 40-23 |
| JD9219 | 9C10 | 5 | 130-17 | M41029 | 8H12 | 2 | 125-43 | M80082 | 3C18 | 1 | 40-25 |
| JD9219 | 9C11 | 5 | 130-18 | M4237T | 4D20 | 14 | 50-49 | M80082 | 8H22 | 40 | 125-53 |
| JD9273 | 7D16 | 4 | 120-47 | M42830 | 1G4 | 4 | 25-75 | M80082 | 9B24 | .. | 130-7 |
| JD9273 | 8G12 | 16 | 125-19 | M43518 | 4D6 | 31 | 50-35 | M82321 | 3C16 | 1 | 40-23 |
| JD9301 | 6H18 | 4 | 110-51 | M43518 | 4D20 | 31 | 50-49 | M82321 | 3C18 | 1 | 40-25 |
| JD9313 | 8H18 | 11 | 125-49 | M43649 | 4G20 | 23 | 60-9 | M84309 | 7F2 | 16 | 120-79 |

NUMERICAL INDEX - CONTINUED

| PART NO. | GRID | KEY | PAGE | PART NO. | GRID | KEY | PAGE | PART NO. | GRID | KEY | PAGE |
|----------|------|-----|----------|----------|------|-----|----------|----------|------|-----|----------|
| M84309 | 9C21 | 25 | 130 - 29 | N14820 | 8E4 | 8 | 121 - 59 | P46369 | 4C16 | 10 | 50 - 21 |
| M84309 | 9C23 | 32 | 130 - 31 | N14820 | 8E6 | 8 | 121 - 61 | P46369 | 4E19 | 19 | 50 - 73 |
| M84309 | 9D2 | 10 | 130 - 35 | N14822 | 6E23 | 25 | 90 - 81 | P46402 | 8D6 | 8 | 121 - 37 |
| M84309 | 9E5 | 2 | 130 - 63 | N15764 | 9C10 | 4 | 130 - 17 | P46402 | 8D14 | 12 | 121 - 45 |
| M84971 | 1C6 | 5 | 20 - 13 | N15764 | 9C11 | 4 | 130 - 18 | P46402 | 8D24 | 8 | 121 - 55 |
| M84972 | 9C17 | 6 | 130 - 25 | N167861 | 1G15 | 15 | 25 - 89 | P46402 | 8E12 | 1 | 121 - 67 |
| M84972 | 9C19 | 6 | 130 - 27 | N188381 | 5C22 | 21 | 70 - 27 | P46402 | 8E16 | 17 | 121 - 71 |
| M86436 | 3D10 | 1 | 40 - 43 | N189220 | 9D19 | 29 | 130 - 51 | P46402 | 8E18 | 15 | 121 - 73 |
| M86436 | 3D10 | 2 | 40 - 43 | N191174 | 4D4 | 14 | 50 - 33 | P46402 | 8I3 | 9 | 125 - 59 |
| M88436 | 6C14 | 18 | 90 - 21 | N191174 | 4D12 | 29 | 50 - 41 | P46402 | 9C15 | 11 | 130 - 23 |
| M93425 | 5H22 | 19 | 80 - 33 | N191174 | 4D18 | 14 | 50 - 47 | P46770 | 8B21 | 4 | 121 - 3 |
| M93425 | 5I16 | 4 | 80 - 51 | N191174 | 4D22 | 29 | 50 - 51 | P46874 | 6H18 | 5 | 110 - 51 |
| M93425 | 6G7 | 29 | 110 - 15 | N195027 | 8D18 | 9 | 121 - 49 | P46874 | 6I6 | 5 | 110 - 61 |
| M93425 | 6G9 | 29 | 110 - 17 | N196034 | 4D4 | 16 | 50 - 33 | P46874 | 9C13 | 10 | 130 - 21 |
| M93425 | 6G11 | 29 | 110 - 19 | N196034 | 4D12 | 27 | 50 - 41 | P47159 | 5G17 | 17 | 80 - 3 |
| M95728 | 8G12 | 11 | 125 - 19 | N196034 | 4D18 | 16 | 50 - 47 | P47885 | 8E20 | 19 | 121 - 75 |
| N102039 | 4C10 | 9 | 50 - 15 | N196034 | 4D22 | 27 | 50 - 51 | P47885 | 8F14 | 6 | 121 - 93 |
| N10213 | 3D2 | 9 | 40 - 35 | N196062 | 4C10 | .. | 50 - 15 | P47885 | 9E19 | 3 | 170 - 4 |
| N10215 | 6D11 | 6 | 90 - 43 | N197422 | 4C24 | 13 | 50 - 29 | P48067 | 8F23 | 36 | 125 - 5 |
| N10215 | 6E12 | 11 | 90 - 69 | N199920 | 4C18 | 2A | 50 - 23 | P48347 | 4D14 | 17 | 50 - 43 |
| N10217 | 4H16 | 13 | 60 - 29 | N199920 | 4C18 | 2B | 50 - 23 | P48347 | 4D15 | 17 | 50 - 44 |
| N10217 | 4H18 | 8 | 60 - 31 | N205021 | 5D22 | 5 | 70 - 52 | P48347 | 5D22 | 4 | 70 - 52 |
| N10217 | 5B24 | 4 | 70 - 5 | N205022 | 5D22 | 10 | 70 - 52 | P48403 | 4D20 | 30 | 50 - 49 |
| N10217 | 5C16 | 16 | 70 - 21 | N209312 | 5D22 | 5 | 70 - 52 | P48691 | 8C20 | 28 | 121 - 27 |
| N10217 | 5C20 | 10 | 70 - 25 | N232713 | 5D13 | 24 | 70 - 43 | P48703 | 4E19 | 21 | 50 - 73 |
| N10217 | 5C24 | 6 | 70 - 29 | N232713 | 5D15 | 28 | 70 - 45 | P48925 | 6D18 | 2 | 90 - 51 |
| N10217 | 5D2 | 15 | 70 - 31 | N232713 | 5D17 | 20 | 70 - 47 | P50273 | 8E16 | 11 | 121 - 71 |
| N109389 | 9B20 | 12 | 130 - 3 | N274892 | 4C18 | 6B | 50 - 23 | P50456 | 6F21 | 23 | 110 - 3 |
| N110085 | 8H18 | 29 | 125 - 49 | N276474 | 4C16 | 9 | 50 - 21 | P50456 | 6H20 | 7 | 110 - 53 |
| N110085 | 8I3 | 7 | 125 - 59 | N276475 | 4C16 | 9 | 50 - 21 | P50456 | 8C8 | 14 | 121 - 15 |
| N110085 | 9E18 | 8 | 170 - 3 | N276699 | 4C5 | 6 | 50 - 10 | P51212 | 5E7 | 23 | 70 - 63 |
| N110219 | 8E18 | 9 | 121 - 73 | N31772 | 4E14 | 8 | 50 - 68 | P51212 | 6E23 | 3 | 90 - 81 |
| N110219 | 8E22 | 37 | 121 - 77 | N31772 | 4G12 | 8 | 60 - 1 | P51212 | 6E25 | 1 | 90 - 83 |
| N115096 | 3F20 | 11 | 40 - 101 | N31772 | 5G13 | 8 | 70 - 120 | P51212 | 6F2 | 1 | 90 - 85 |
| N117501 | 8D18 | 13A | 121 - 49 | N34986 | 5F2 | 12 | 70 - 85 | P5403H | 7C22 | 3 | 120 - 29 |
| N12405 | 6E8 | 5 | 90 - 65 | N52258 | 1C4 | 4 | 20 - 11 | P5403H | 7D2 | .. | 120 - 33 |
| N126584 | 4D6 | 18 | 50 - 35 | N52258 | 7D20 | 7 | 120 - 51 | RE10258 | 1G7 | 10 | 25 - 79 |
| N126585 | 4D4 | 6 | 50 - 33 | N61654 | 8D6 | 3 | 121 - 37 | RE10258 | 1G8 | 6 | 25 - 80 |
| N126586 | 4D10 | 13 | 50 - 39 | N61654 | 8E12 | 13 | 121 - 67 | RE10258 | 2E16 | 4 | 26 - 69 |
| N126588 | 4D13 | 9 | 50 - 42 | N61703 | 6E25 | 11 | 90 - 83 | RE10258 | 2E17 | 5 | 26 - 70 |
| N126588 | 4D16 | 9 | 50 - 45 | N61709 | 8G24 | 1A | 125 - 31 | RE10258 | 2E18 | 4 | 26 - 71 |
| N126600 | 4D6 | 10 | 50 - 35 | N61709 | 8G24 | 5 | 125 - 31 | RE10259 | 2E16 | 4 | 26 - 69 |
| N126600 | 4D20 | 10 | 50 - 49 | N61709 | 9C23 | 40 | 130 - 31 | RE10582 | 1G10 | 1 | 25 - 82 |
| N126601 | 4D7 | 7 | 50 - 36 | N71921 | 9D4 | 4 | 130 - 37 | RE10582 | 2E14 | 1 | 26 - 67 |
| N126601 | 4D8 | 7 | 50 - 37 | N71922 | 6F23 | 20 | 110 - 5 | RE10973 | 6F7 | 5 | 90 - 91 |
| N126602 | 4D6 | 27 | 50 - 35 | N72989 | 9D13 | 12 | 130 - 46 | RE10974 | 6F3 | 11 | 90 - 86 |
| N126603 | 4D6 | 1 | 50 - 35 | N72989 | 9D19 | 1 | 130 - 51 | RE10975 | 6F3 | 13 | 90 - 86 |
| N126603 | 4D20 | 1 | 50 - 49 | N85298 | 5C10 | 16 | 70 - 15 | RE10976 | 6F5 | 1 | 90 - 88 |
| N126612 | 4D4 | 11 | 50 - 33 | PF10025 | 9C19 | 16 | 130 - 27 | RE10977 | 6F7 | 6 | 90 - 91 |
| N126612 | 4D12 | 33 | 50 - 41 | PF80001 | 9C2 | 15 | 130 - 9 | RE10978 | 6F7 | 3 | 90 - 91 |
| N126612 | 4D18 | 11 | 50 - 47 | PF80104 | 9C2 | 15 | 130 - 9 | RE10979 | 6F7 | 1 | 90 - 91 |
| N126612 | 4D22 | 33 | 50 - 51 | PF80112 | 9B24 | 12 | 130 - 7 | RE10980 | 6F3 | 4 | 90 - 86 |
| N126638 | 4D7 | 2 | 50 - 36 | PF80113 | 9B24 | 13 | 130 - 7 | RE10981 | 6F3 | 1 | 90 - 86 |
| N126638 | 4D8 | 2 | 50 - 37 | PM797NA | 3F22 | 57 | 40 - 103 | RE10982 | 6F3 | 2 | 90 - 86 |
| N126641 | 4D10 | 10 | 50 - 39 | PM797NA | 3F24 | 40 | 40 - 105 | RE11154 | 3F22 | 57 | 40 - 103 |
| N126644 | 4D20 | 39 | 50 - 49 | PM9000 | 3D6 | 20 | 40 - 39 | RE11154 | 3F24 | 40 | 40 - 105 |
| N126654 | 4D13 | 4 | 50 - 42 | PM9200 | 3D6 | 20 | 40 - 39 | RE11156 | 3F22 | 36 | 40 - 103 |
| N126654 | 4D16 | 4 | 50 - 45 | PT2314 | 3D8 | 4 | 40 - 41 | RE11157 | 3F22 | 37 | 40 - 103 |
| N12679 | 4H4 | 26 | 60 - 17 | P20351 | 8H23 | 11 | 125 - 54 | RE11157 | 3G11 | 15 | 40 - 117 |
| N128541 | 4D13 | 5 | 50 - 42 | P43363 | 8E20 | 22 | 121 - 75 | RE11410 | 1E11 | 3 | 25 - 31 |
| N128541 | 4D16 | 5 | 50 - 45 | P43363 | 8E22 | 21 | 121 - 77 | RE11410 | 2C21 | 3 | 26 - 25 |
| N130510 | 4D13 | 8 | 50 - 42 | P43969 | 4C20 | 25 | 50 - 25 | RE12049 | 6D11 | .. | 90 - 43 |
| N130510 | 4D16 | 8 | 50 - 45 | P44439 | 8G10 | 6 | 125 - 17 | RE12180 | 1H5 | 5 | 25 - 105 |
| N134803 | 7F10 | 7B | 120 - 87 | P44478 | 9E2 | 39 | 130 - 59 | RE12180 | 3E4 | 8 | 40 - 61 |
| N134803 | 8D16 | 27B | 121 - 47 | P45313 | 4E19 | 9 | 50 - 73 | RE12325 | 4I10 | 10 | 60 - 47 |
| N139123 | 8C14 | 13 | 121 - 21 | P45458 | 6F2 | 7 | 90 - 85 | RE12325 | 4I11 | 14 | 60 - 48 |
| N139123 | 8C16 | 13 | 121 - 23 | P45750 | 5C16 | 7 | 70 - 21 | RE12325 | 4I12 | 14 | 60 - 49 |

NUMERICAL INDEX - CONTINUED

| PART NO. | GRID | KEY | PAGE | PART NO. | GRID | KEY | PAGE | PART NO. | GRID | KEY | PAGE |
|----------|------|-----|----------|----------|------|-----|----------|----------|------|-----|----------|
| RE12326 | 4I10 | 5 | 60 - 47 | RE12366 | 3H4 | 1 | 40 - 135 | RE27091 | 1G15 | 14 | 25 - 89 |
| RE12326 | 4I11 | 5 | 60 - 48 | RE12513 | 6E25 | 18 | 90 - 83 | RE27091 | 2F2 | 11 | 26 - 81 |
| RE12326 | 4I12 | 5 | 60 - 49 | RE12766 | 1F19 | 12 | 25 - 65 | RE27091 | 2F4 | 11 | 26 - 83 |
| RE12330 | 1G17 | 14 | 25 - 91 | RE12766 | 1F23 | 12 | 25 - 69 | RE27132 | 1D24 | 5 | 25 - 18 |
| RE12330 | 2F6 | 14 | 26 - 85 | RE12927 | 6F17 | 7 | 90 - 101 | RE27132 | 1D24 | 8 | 25 - 18 |
| RE12330 | 3F18 | 14 | 40 - 99 | RE13541 | 6D11 | 24 | 90 - 43 | RE27837 | 4E7 | 5 | 50 - 61 |
| RE12331 | 1G17 | 12 | 25 - 91 | RE13722 | 1G21 | 5 | 25 - 95 | RE27839 | 1E7 | 9 | 25 - 27 |
| RE12331 | 2F6 | 12 | 26 - 85 | RE13722 | 1G21 | .. | 25 - 95 | RE27875 | 1D24 | 5 | 25 - 18 |
| RE12331 | 3F18 | 12 | 40 - 99 | RE13731 | 1H2 | 1 | 25 - 102 | RE27875 | 1D24 | 8 | 25 - 18 |
| RE12332 | 1G17 | 18 | 25 - 91 | RE13732 | 1H4 | 10 | 25 - 104 | RE28217 | 1G2 | .. | 25 - 73 |
| RE12332 | 2F6 | 18 | 26 - 85 | RE13733 | 1H4 | 9 | 25 - 104 | RE28217 | 2E2 | 23 | 26 - 59 |
| RE12332 | 3F18 | 18 | 40 - 99 | RE14229 | 1G2 | 19 | 25 - 73 | RE28217 | 2E4 | 23 | 26 - 61 |
| RE12332 | 3G5 | 12 | 40 - 111 | RE14229 | 1G2 | 20 | 25 - 73 | RE28217 | 2E6 | 23 | 26 - 61B |
| RE12333 | 1G17 | 21 | 25 - 91 | RE14229 | 1G2 | 22 | 25 - 73 | RE28217 | 2E10 | 23 | 26 - 65 |
| RE12333 | 2F6 | 21 | 26 - 85 | RE15058 | 1H4 | 15 | 25 - 104 | RE28217 | 2E12 | 23 | 26 - 65B |
| RE12333 | 3F18 | 21 | 40 - 99 | RE15807 | 1F19 | 26 | 25 - 65 | RE28320 | 1G2 | 1 | 25 - 73 |
| RE12334 | 1G17 | 8 | 25 - 91 | RE15807 | 1F21 | 26 | 25 - 67 | RE28320 | 2E2 | 1 | 26 - 59 |
| RE12334 | 2F6 | 8 | 26 - 85 | RE15807 | 1F23 | 26 | 25 - 69 | RE28320 | 2E4 | 1 | 26 - 61 |
| RE12334 | 3F18 | 8 | 40 - 99 | RE15807 | 1F25 | 26 | 25 - 71 | RE28320 | 2E6 | 1 | 26 - 61B |
| RE12362 | 1G17 | 4 | 25 - 91 | RE15807 | 2D22 | 27 | 26 - 55 | RE28320 | 2E10 | 1 | 26 - 65 |
| RE12362 | 2F6 | 4 | 26 - 85 | RE15807 | 2D24 | 27 | 26 - 57 | RE28368 | 1F2 | 20 | 25 - 47 |
| RE12362 | 3B23 | 11 | 40 - 3 | RE15808 | 1F19 | 27 | 25 - 65 | RE28947 | 1G15 | 20 | 25 - 89 |
| RE12362 | 3E12 | 22 | 40 - 69 | RE15808 | 1F21 | 27 | 25 - 67 | RE28947 | 1G15 | 21 | 25 - 89 |
| RE12362 | 3F18 | 4 | 40 - 99 | RE15808 | 1F23 | 27 | 25 - 69 | RE28947 | 1G15 | 22 | 25 - 89 |
| RE12362 | 3G5 | 7 | 40 - 111 | RE15808 | 1F25 | 27 | 25 - 71 | RE28950 | 1G15 | 5 | 25 - 89 |
| RE12363 | 1G17 | 11 | 25 - 91 | RE15808 | 2D22 | 28 | 26 - 55 | RE28951 | 1G15 | 5 | 25 - 89 |
| RE12363 | 2F6 | 11 | 26 - 85 | RE15808 | 2D24 | 28 | 26 - 57 | RE28954 | 1G15 | 10 | 25 - 89 |
| RE12363 | 3B23 | 12 | 40 - 3 | RE20768 | 8D16 | 19 | 121 - 47 | RE28954 | 1G15 | 11 | 25 - 89 |
| RE12363 | 3C8 | 2 | 40 - 13 | RE21790 | 1F10 | 11 | 25 - 55 | RE28954 | 1G15 | 12 | 25 - 89 |
| RE12363 | 3C14 | 11 | 40 - 21 | RE21790 | 2D20 | 2 | 26 - 53 | RE29179 | 1G13 | 8 | 25 - 85 |
| RE12363 | 3D8 | 17 | 40 - 41 | RE21790 | 2F24 | 5 | 30 - 9 | RE29179 | 2E24 | 8 | 26 - 79 |
| RE12363 | 3D10 | 4 | 40 - 43 | RE21790 | 2G2 | 5 | 30 - 11 | RE29488 | 2D18 | 1 | 26 - 51 |
| RE12363 | 3D10 | 11 | 40 - 43 | RE22642 | 4D24 | 16 | 50 - 53 | RE29498 | 1D11 | 24 | 25 - 5 |
| RE12363 | 3D12 | 1 | 40 - 45 | RE22764 | 1D21 | 1 | 25 - 15 | RE29499 | 1D17 | 1 | 25 - 11 |
| RE12363 | 3D12 | 14 | 40 - 45 | RE22764 | 1E2 | 5 | 25 - 21 | RE29507 | 1F19 | 7 | 25 - 65 |
| RE12363 | 3D12 | 16 | 40 - 45 | RE22764 | 2C10 | 1 | 26 - 13 | RE29508 | 1F19 | 6 | 25 - 65 |
| RE12363 | 3D14 | 21 | 40 - 47 | RE22764 | 2C15 | 5 | 26 - 18 | RE29509 | 1F19 | 4 | 25 - 65 |
| RE12363 | 3D16 | 13 | 40 - 49 | RE23295 | 1F4 | 11 | 25 - 49 | RE29510 | 1F19 | 3 | 25 - 65 |
| RE12363 | 3D18 | 7 | 40 - 51 | RE24045 | 1E9 | 11 | 25 - 29 | RE29511 | 1F19 | 2 | 25 - 65 |
| RE12363 | 3D18 | 20 | 40 - 51 | RE24045 | 2C22 | 11 | 26 - 26 | RE29512 | 1F19 | 1 | 25 - 65 |
| RE12363 | 3D20 | 10 | 40 - 53 | RE24046 | 1E9 | 13 | 25 - 29 | RE29526 | 1E6 | 4 | 25 - 26 |
| RE12363 | 3D22 | 16 | 40 - 55 | RE24046 | 2C22 | 13 | 26 - 26 | RE29528 | 1E11 | 27 | 25 - 31 |
| RE12363 | 3E10 | 1 | 40 - 67 | RE24307 | 3E4 | 6 | 40 - 61 | RE29583 | 1G2 | 6 | 25 - 73 |
| RE12363 | 3E12 | 23 | 40 - 69 | RE24307 | 6E25 | 5 | 90 - 83 | RE29721 | 1F23 | 7 | 25 - 69 |
| RE12363 | 3E14 | 23 | 40 - 71 | RE24307 | 6F2 | 5 | 90 - 85 | RE29722 | 1F23 | 6 | 25 - 69 |
| RE12363 | 3E14 | 24 | 40 - 71 | RE24468 | 2E2 | 24 | 26 - 59 | RE29723 | 1F23 | 4 | 25 - 69 |
| RE12363 | 3F2 | 8 | 40 - 83 | RE24706 | 1E23 | 9 | 25 - 43 | RE29724 | 1F23 | 3 | 25 - 69 |
| RE12363 | 3F18 | 11 | 40 - 99 | RE24772 | 1F2 | 11 | 25 - 47 | RE29725 | 1F23 | 2 | 25 - 69 |
| RE12363 | 3G3 | 5 | 40 - 109 | RE24772 | 1F4 | 3 | 25 - 49 | RE29726 | 1F23 | 1 | 25 - 69 |
| RE12363 | 3G5 | 1 | 40 - 111 | RE24975 | 1G20 | 3 | 25 - 94 | RE29859 | 1G19 | 20 | 25 - 93 |
| RE12363 | 5B22 | 13 | 70 - 3 | RE24975 | 2F9 | 3 | 26 - 88 | RE29859 | 2F8 | 19 | 26 - 87 |
| RE12363 | 5G8 | 15 | 70 - 115 | RE25253 | 1F19 | 17 | 25 - 65 | RE30085 | 1G13 | 8 | 25 - 85 |
| RE12364 | 1G17 | 16 | 25 - 91 | RE25253 | 1F21 | 17 | 25 - 67 | RE30091 | 1D11 | 24 | 25 - 5 |
| RE12364 | 2F6 | 16 | 26 - 85 | RE25253 | 1G13 | 11 | 25 - 85 | RE30159 | 1F23 | 17 | 25 - 69 |
| RE12364 | 3D14 | 22 | 40 - 47 | RE25253 | 2D24 | 16 | 26 - 57 | RE30159 | 1F25 | 17 | 25 - 71 |
| RE12364 | 3F18 | 16 | 40 - 99 | RE25253 | 2E21 | 11 | 26 - 75 | RE30159 | 1G13 | 11 | 25 - 85 |
| RE12364 | 3G5 | 13 | 40 - 111 | RE25253 | 2E24 | 11 | 26 - 79 | RE30206 | 1G19 | 44 | 25 - 93 |
| RE12365 | 1G17 | 20 | 25 - 91 | RE25254 | 1D23 | 10 | 25 - 17 | RE30295 | 2E2 | 24 | 26 - 59 |
| RE12365 | 2F6 | 20 | 26 - 85 | RE25652 | 1D23 | 8 | 25 - 17 | RE30562 | 1F13 | 19 | 25 - 59 |
| RE12365 | 3D14 | 24 | 40 - 47 | RE25652 | 1D23 | 10 | 25 - 17 | RE30562 | 2D17 | 1 | 26 - 50 |
| RE12365 | 3F18 | 20 | 40 - 99 | RE25665 | 1F13 | 20 | 25 - 59 | RE30635 | 1F13 | 4 | 25 - 59 |
| RE12365 | 3G5 | 9 | 40 - 111 | RE25665 | 2D16 | 15 | 26 - 49 | RE30635 | 1F13 | 5 | 25 - 59 |
| RE12366 | 1G17 | 25 | 25 - 91 | RE25998 | 1F13 | 19 | 25 - 59 | RE30833 | 1F19 | 39 | 25 - 65 |
| RE12366 | 2F6 | 25 | 26 - 85 | RE25998 | 2D16 | 2 | 26 - 49 | RE30833 | 2E2 | 5 | 26 - 59 |
| RE12366 | 3E12 | 6 | 40 - 69 | RE25998 | 2D18 | 1 | 26 - 51 | RE30833 | 2E4 | 5 | 26 - 61 |
| RE12366 | 3F18 | 25 | 40 - 99 | RE26380 | 1E11 | 19 | 25 - 31 | RE30833 | 2E6 | 5 | 26 - 61B |
| RE12366 | 3G5 | 11 | 40 - 111 | RE27012 | 1D23 | 8 | 25 - 17 | RE30833 | 2E10 | 5 | 26 - 65 |

NUMERICAL INDEX - CONTINUED

| PART NO. | GRID | KEY | PAGE | PART NO. | GRID | KEY | PAGE | PART NO. | GRID | KEY | PAGE |
|----------|------|-----|--------|----------|------|-----|--------|----------|------|-----|--------|
| RE30833 | 2E12 | 5 | 26-65B | RE36151 | 1G9 | 8 | 25-81 | RE39247 | 2F12 | 14 | 26-91 |
| RE30920 | 1F19 | 33 | 25-65 | RE36151 | 2E13 | 8 | 26-66 | RE39249 | 1G24 | 3 | 25-99 |
| RE30920 | 2E2 | 3 | 26-59 | RE36151 | 2E15 | 8 | 26-68 | RE39249 | 2F12 | 3 | 26-91 |
| RE30920 | 2E4 | 3 | 26-61 | RE36259 | 2G6 | 5 | 30-15 | RE39250 | 1G24 | 11 | 25-99 |
| RE30920 | 2E6 | 3 | 26-61B | RE36285 | 1F13 | 19 | 25-59 | RE39250 | 2F12 | 11 | 26-91 |
| RE30920 | 2E10 | 3 | 26-65 | RE36285 | 1F15 | 1 | 25-61 | RE39251 | 1G24 | 1 | 25-99 |
| RE30920 | 2E12 | 3 | 26-65B | RE36285 | 2D16 | 2 | 26-49 | RE39251 | 2F12 | 1 | 26-91 |
| RE30973 | 1G11 | 10 | 25-83 | RE36367 | 2D5 | 2 | 26-35 | RE39780 | 1G15 | 5 | 25-89 |
| RE30973 | 2E19 | 10 | 26-72 | RE36421 | 1F19 | 28 | 25-65 | RE39889 | 2D2 | 9 | 26-31 |
| RE31258 | 2D18 | 1 | 26-51 | RE36421 | 1F21 | 28 | 25-67 | RE39890 | 2D5 | 16 | 26-35 |
| RE31504 | 1G2 | 24 | 25-73 | RE36421 | 1F23 | 28 | 25-69 | RE40048 | 2G8 | 4 | 30-17 |
| RE31504 | 2E2 | 28 | 26-59 | RE36421 | 1F25 | 28 | 25-71 | RE41173 | 1G15 | 5 | 25-89 |
| RE31701 | 4D24 | 6 | 50-53 | RE36421 | 2D22 | 29 | 26-55 | RE41174 | 1G15 | 5 | 25-89 |
| RE32064 | 1G4 | 5 | 25-75 | RE36421 | 2D24 | 29 | 26-57 | RE41216 | 1E11 | 27 | 25-31 |
| RE32824 | 4D24 | 10 | 50-53 | RE37039 | 1C6 | 13 | 20-13 | RE41758 | 1G22 | 10 | 25-96 |
| RE32856 | 1E24 | 10 | 25-45 | RE37229 | 1F11 | 1 | 25-56 | RE41758 | 1G22 | 11 | 25-96 |
| RE32856 | 2D6 | 10 | 26-36 | RE37425 | 1E8 | 1 | 25-28 | RE41758 | 2F10 | 10 | 26-89 |
| RE33336 | 4E3 | 1 | 50-56 | RE37626 | 6F23 | 17 | 110-5 | RE41758 | 2F10 | 11 | 26-89 |
| RE33337 | 4E3 | 1 | 50-56 | RE37651 | 3G11 | 16 | 40-117 | RE41811 | 2C19 | 1 | 26-22 |
| RE33338 | 4E3 | 1 | 50-56 | RE37689 | 1G15 | 10 | 25-89 | RE41821 | 2C6 | 1 | 26-9 |
| RE33339 | 4E3 | 1 | 50-56 | RE37689 | 1G15 | 11 | 25-89 | RE41821 | 2C13 | 5 | 26-16 |
| RE33390 | 1D24 | 4 | 25-18 | RE37689 | 1G15 | 12 | 25-89 | RE41821 | 2C13 | 6 | 26-16 |
| RE33390 | 1E6 | 9 | 25-26 | RE38235 | 3F14 | 3 | 40-95 | RE41821 | 2F9 | 2 | 26-88 |
| RE33390 | 1G2 | 7 | 25-73 | RE38239 | 1G2 | 1 | 25-73 | RE41875 | 1G21 | 5 | 25-95 |
| RE33390 | 1G4 | 6 | 25-75 | RE38240 | 1G4 | 22 | 25-75 | RE41875 | 1G21 | .. | 25-95 |
| RE33482 | 1F23 | 39 | 25-69 | RE38288 | 1F15 | .. | 25-61 | RE41875 | 1H2 | 17 | 25-102 |
| RE33486 | 1G4 | 14 | 25-75 | RE38288 | 2D17 | .. | 26-50 | RE41991 | 2G10 | 1 | 30-19 |
| RE33542 | 1G15 | 20 | 25-89 | RE38331 | 1F15 | 1 | 25-61 | RE41991 | 2G10 | 13 | 30-19 |
| RE33636 | 2F24 | 8 | 30-9 | RE38331 | 2D17 | 1 | 26-50 | RE41991 | 6E19 | 27 | 90-77 |
| RE33636 | 2G2 | 8 | 30-11 | RE38345 | 1F13 | 19 | 25-59 | RE42107 | 2D9 | 6 | 26-40 |
| RE34010 | 1E11 | 22 | 25-31 | RE38346 | 1F14 | .. | 25-60 | RE42149 | 2C6 | 1 | 26-9 |
| RE34010 | 1G19 | 17 | 25-93 | RE38346 | 2D18 | .. | 26-51 | RE42151 | 2F8 | 37 | 26-87 |
| RE34048 | 1G4 | 22 | 25-75 | RE38682 | 1F7 | 8 | 25-52 | RE42383 | 2C18 | 3 | 26-21 |
| RE34048 | 2E8 | 1 | 26-63 | RE38682 | 1F8 | 8 | 25-53 | RE42588 | 2C6 | 1 | 26-9 |
| RE34049 | 1G4 | 22 | 25-75 | RE38732 | 1G4 | 14 | 25-75 | RE42671 | 1D25 | 5 | 25-19 |
| RE34049 | 1G6 | 17 | 25-77 | RE38732 | 1G6 | 13 | 25-77 | RE42675 | 1D17 | 1 | 25-11 |
| RE34049 | 2E8 | 1 | 26-63 | RE38732 | 1G6 | 16 | 25-77 | RE42675 | 1D25 | 4 | 25-19 |
| RE34100 | 1G4 | 19 | 25-75 | RE38732 | 1G2 | 15 | 25-73 | RE42675 | 1D25 | 5 | 25-19 |
| RE34100 | 2E8 | 25 | 26-63 | RE38733 | 1G2 | 20 | 25-73 | RE42675 | 1D25 | 6 | 25-19 |
| RE34128 | 1G7 | 10 | 25-79 | RE38738 | 1G15 | 8 | 25-89 | RE42675 | 1G20 | 2 | 25-94 |
| RE34128 | 1G8 | 6 | 25-80 | RE38738 | 1G15 | 12 | 25-89 | RE42741 | 1E11 | 27 | 25-31 |
| RE34128 | 2E16 | 4 | 26-69 | RE38828 | 1E15 | 12 | 25-35 | RE42741 | 2C21 | 18 | 26-25 |
| RE34128 | 2E17 | 5 | 26-70 | RE38828 | 1E15 | 14 | 25-35 | RE42777 | 1G24 | 6 | 25-99 |
| RE34128 | 2E18 | 4 | 26-71 | RE38828 | 1E17 | 12 | 25-37 | RE42777 | 2F12 | 6 | 26-91 |
| RE35139 | 1G4 | 12 | 25-75 | RE38828 | 1E17 | 14 | 25-37 | RE42777 | 2F13 | 10 | 26-92 |
| RE35139 | 1G8 | 18 | 25-80 | RE38828 | 1E18 | 2 | 25-38 | RE43131 | 1F2 | 20 | 25-47 |
| RE35142 | 1G2 | 13 | 25-73 | RE38828 | 1E19 | 9 | 25-39 | RE43132 | 1F2 | 20 | 25-47 |
| RE35142 | 1G7 | 15 | 25-79 | RE38828 | 2D3 | 2 | 26-32 | RE43166 | 1G22 | .. | 25-96 |
| RE35161 | 6C4 | 1 | 90-11 | RE38870 | 1F23 | 37 | 25-69 | RE43166 | 2D8 | 20 | 26-39 |
| RE35284 | 1G4 | 21 | 25-75 | RE38871 | 1F23 | 37 | 25-69 | RE43166 | 2F10 | .. | 26-89 |
| RE35284 | 2E8 | 9 | 26-63 | RE38871 | 2E8 | 4 | 26-63 | RE43266 | 1G22 | 10 | 25-96 |
| RE35643 | 1D15 | 1 | 25-9 | RE39063 | 1H1 | 10 | 25-101 | RE43266 | 1G22 | 11 | 25-96 |
| RE35647 | 1D21 | 1 | 25-15 | RE39064 | 1G21 | .. | 25-95 | RE43266 | 1G24 | 4 | 25-99 |
| RE35647 | 1G19 | 44 | 25-93 | RE39064 | 1H1 | 13 | 25-101 | RE43266 | 1G24 | 6 | 25-99 |
| RE35684 | 1F19 | 35 | 25-65 | RE39064 | 1H4 | 16 | 25-104 | RE43266 | 1G24 | .. | 25-99 |
| RE35684 | 2E2 | 8 | 26-59 | RE39121 | 2D8 | 15 | 26-39 | RE43266 | 2F10 | 10 | 26-89 |
| RE35684 | 2E4 | 8 | 26-61 | RE39121 | 2D9 | 6 | 26-40 | RE43266 | 2F10 | 11 | 26-89 |
| RE35684 | 2E6 | 8 | 26-61B | RE39131 | 4E2 | 6 | 50-55 | RE43266 | 2F12 | 6 | 26-91 |
| RE35684 | 2E10 | 8 | 26-65 | RE39134 | 1F2 | 13 | 25-47 | RE43266 | 2F12 | .. | 26-91 |
| RE35684 | 2E12 | 8 | 26-65B | RE39134 | 1F4 | 6 | 25-49 | RE43369 | 2E2 | 21 | 26-59 |
| RE35799 | 1F23 | 34 | 25-69 | RE39241 | 1G24 | 6 | 25-99 | RE43369 | 2E4 | 21 | 26-61 |
| RE35799 | 2E8 | 7 | 26-63 | RE39241 | 2F12 | 6 | 26-91 | RE43369 | 2E6 | 21 | 26-61B |
| RE35800 | 1F23 | 33 | 25-69 | RE39243 | 1G24 | 9 | 25-99 | RE43369 | 2E10 | 21 | 26-65 |
| RE35800 | 2E8 | 6 | 26-63 | RE39243 | 2F12 | 9 | 26-91 | RE43369 | 2E12 | 21 | 26-65B |
| RE36024 | 1D15 | 1 | 25-9 | RE39245 | 1G24 | 10 | 25-99 | RE43388 | 1G4 | 22 | 25-75 |
| RE36038 | 1F14 | 1 | 25-60 | RE39245 | 2F12 | 10 | 26-91 | RE43388 | 3F14 | 3 | 40-95 |
| RE36151 | 1F17 | 8 | 25-63 | RE39247 | 1G24 | 14 | 25-99 | RE43423 | 1G22 | 11 | 25-96 |

NUMERICAL INDEX - CONTINUED

| PART NO. | GRID | KEY | PAGE | PART NO. | GRID | KEY | PAGE | PART NO. | GRID | KEY | PAGE |
|----------|------|-----|----------|----------|------|-----|----------|----------|------|-----|----------|
| RE43423 | 1G24 | .. | 25 - 99 | RE47414 | 2D22 | 7 | 26 - 55 | RE501248 | 2E6 | 1 | 26 - 61B |
| RE43423 | 2F10 | 11 | 26 - 89 | RE47415 | 1F25 | 5 | 25 - 71 | RE501249 | 2E12 | 1 | 26 - 65B |
| RE43423 | 2F12 | .. | 26 - 91 | RE47415 | 2D22 | 6 | 26 - 55 | RE501251 | 2E6 | 1 | 26 - 61B |
| RE43511 | 2F14 | 5 | 26 - 93 | RE47416 | 1F25 | 4 | 25 - 71 | RE501262 | 2E6 | 28 | 26 - 61B |
| RE43978 | 1F13 | 1 | 25 - 59 | RE47416 | 2D22 | 4 | 26 - 55 | RE501262 | 2E12 | 28 | 26 - 65B |
| RE43978 | 2D16 | 3 | 26 - 49 | RE47417 | 1F25 | 3 | 25 - 71 | RE50140 | 2E8 | 21 | 26 - 63 |
| RE44118 | 1E15 | 12 | 25 - 35 | RE47417 | 2D22 | 3 | 26 - 55 | RE501694 | 2E6 | 1 | 26 - 61B |
| RE44118 | 1E17 | 12 | 25 - 37 | RE47418 | 1F25 | 2 | 25 - 71 | RE501709 | 2E6 | 1 | 26 - 61B |
| RE44118 | 1E18 | 2 | 25 - 38 | RE47418 | 2D22 | 2 | 26 - 55 | RE501711 | 2E12 | 1 | 26 - 65B |
| RE44131 | 1G4 | 22 | 25 - 75 | RE47419 | 1F25 | 1 | 25 - 71 | RE501731 | 1G2 | 1 | 25 - 73 |
| RE44518 | 2D16 | 2 | 26 - 49 | RE47419 | 2D22 | 1 | 26 - 55 | RE501805 | 1G2 | 1 | 25 - 73 |
| RE44518 | 2E8 | 11 | 26 - 63 | RE47426 | 1F21 | 7 | 25 - 67 | RE501809 | 2E4 | 1 | 26 - 61 |
| RE44538 | 3E19 | 3 | 40 - 76 | RE47426 | 2D24 | 7 | 26 - 57 | RE501812 | 2E12 | 1 | 26 - 65B |
| RE44538 | 9E17 | 1 | 170 - 2 | RE47427 | 1F21 | 5 | 25 - 67 | RE501814 | 2E6 | 1 | 26 - 61B |
| RE44705 | 1G6 | 17 | 25 - 77 | RE47427 | 2D24 | 6 | 26 - 57 | RE501828 | 2E10 | 1 | 26 - 65 |
| RE45329 | 1G22 | 10 | 25 - 96 | RE47428 | 1F21 | 4 | 25 - 67 | RE502125 | 2E4 | 1 | 26 - 61 |
| RE45329 | 1G22 | 11 | 25 - 96 | RE47428 | 2D24 | 4 | 26 - 57 | RE502125 | 2E4 | .. | 26 - 61 |
| RE45329 | 2F10 | 10 | 26 - 89 | RE47429 | 1F21 | 3 | 25 - 67 | RE502125 | 2E6 | 1 | 26 - 61B |
| RE45329 | 2F10 | 11 | 26 - 89 | RE47429 | 2D24 | 3 | 26 - 57 | RE502125 | 2E6 | .. | 26 - 61B |
| RE45329 | 2F13 | 1 | 26 - 92 | RE47430 | 1F21 | 2 | 25 - 67 | RE502125 | 2E10 | 1 | 26 - 65 |
| RE45329 | 2F13 | 4 | 26 - 92 | RE47430 | 2D24 | 2 | 26 - 57 | RE502125 | 2E10 | .. | 26 - 65 |
| RE45329 | 2F13 | 8 | 26 - 92 | RE47431 | 1F21 | 1 | 25 - 67 | RE502125 | 2E12 | 1 | 26 - 65B |
| RE45330 | 2F13 | 11 | 26 - 92 | RE47431 | 2D24 | 1 | 26 - 57 | RE502125 | 2E12 | .. | 26 - 65B |
| RE45337 | 2D8 | 10 | 26 - 39 | RE47501 | 1G15 | 2 | 25 - 89 | RE502146 | 2E4 | 1 | 26 - 61 |
| RE45337 | 2D9 | 3 | 26 - 40 | RE47501 | 1G15 | 3 | 25 - 89 | RE502147 | 2E10 | 1 | 26 - 65 |
| RE45426 | 1E11 | 27 | 25 - 31 | RE47501 | 1G15 | 21 | 25 - 89 | RE502147 | 2E12 | 1 | 26 - 65B |
| RE45557 | 1F13 | 4 | 25 - 59 | RE47501 | 1G15 | 22 | 25 - 89 | RE502404 | 2E4 | 1 | 26 - 61 |
| RE45557 | 1F13 | 6 | 25 - 59 | RE47501 | 2F2 | 4 | 26 - 81 | RE502404 | 2E6 | 1 | 26 - 61B |
| RE46252 | 2E2 | 17 | 26 - 59 | RE47501 | 2F4 | 4 | 26 - 83 | RE502404 | 2E10 | 1 | 26 - 65 |
| RE46252 | 2E4 | 17 | 26 - 61 | RE47635 | 2F2 | 6 | 26 - 81 | RE502404 | 2E12 | 1 | 26 - 65B |
| RE46252 | 2E6 | 17 | 26 - 61B | RE47635 | 2F4 | 6 | 26 - 83 | RE502510 | 1E3 | 4 | 25 - 22 |
| RE46252 | 2E10 | 17 | 26 - 65 | RE47723 | 1F19 | 7 | 25 - 65 | RE502510 | 2C16 | 4 | 26 - 19 |
| RE46252 | 2E12 | 17 | 26 - 65B | RE47724 | 1F19 | 6 | 25 - 65 | RE504122 | 1C12 | 2 | 20 - 19 |
| RE46252 | 2E16 | 6 | 26 - 69 | RE47725 | 1F19 | 4 | 25 - 65 | RE504122 | 1C12 | 3 | 20 - 19 |
| RE46252 | 2E18 | 6 | 26 - 71 | RE47726 | 1F19 | 3 | 25 - 65 | RE504122 | 1C12 | 7 | 20 - 19 |
| RE46264 | 1G6 | 10 | 25 - 77 | RE47727 | 1F19 | 2 | 25 - 65 | RE504122 | 2D12 | 5 | 26 - 44 |
| RE46364 | 1F23 | 17 | 25 - 69 | RE47728 | 1F19 | 1 | 25 - 65 | RE504635 | 2E6 | 28 | 26 - 61B |
| RE46364 | 1F25 | 17 | 25 - 71 | RE47732 | 1G2 | 1 | 25 - 73 | RE504635 | 2E12 | 28 | 26 - 65B |
| RE46364 | 1G11 | 5 | 25 - 83 | RE47850 | 2F2 | 9 | 26 - 81 | RE50589 | 1D15 | 1 | 25 - 9 |
| RE46364 | 1G11 | 13 | 25 - 83 | RE48048 | 1G7 | 1 | 25 - 79 | RE50868 | 1D23 | 8 | 25 - 17 |
| RE46364 | 1G13 | 8 | 25 - 85 | RE48048 | 2E16 | 1 | 26 - 69 | RE50868 | 1D23 | 10 | 25 - 17 |
| RE46364 | 2D22 | 16 | 26 - 55 | RE48048 | 2E18 | 1 | 26 - 71 | RE50868 | 2C12 | 8 | 26 - 15 |
| RE46364 | 2E19 | 5 | 26 - 72 | RE48051 | 2F4 | 9 | 26 - 83 | RE50868 | 2C12 | 10 | 26 - 15 |
| RE46364 | 2E19 | 13 | 26 - 72 | RE48284 | 6E19 | 34 | 90 - 77 | RE51052 | 6F8 | 2 | 90 - 92 |
| RE46364 | 2E22 | 13 | 26 - 76 | RE48310 | 2G2 | 11 | 30 - 11 | RE52110 | 1G13 | 8 | 25 - 85 |
| RE46380 | 1E23 | 25 | 25 - 43 | RE48310 | 3E6 | 20 | 40 - 63 | RE52113 | 1F19 | 17 | 25 - 65 |
| RE46380 | 2D5 | 14 | 26 - 35 | RE48321 | 2G2 | 11 | 30 - 11 | RE52113 | 1G13 | 11 | 25 - 85 |
| RE46657 | 6F2 | 16 | 90 - 85 | RE48380 | 1D23 | 8 | 25 - 17 | RE52113 | 2D24 | 16 | 26 - 57 |
| RE46657 | 6F8 | .. | 90 - 92 | RE48380 | 2C12 | 8 | 26 - 15 | RE52113 | 2E21 | 11 | 26 - 75 |
| RE46802 | 2E8 | 1 | 26 - 63 | RE48454 | 2F9 | 3 | 26 - 88 | RE52113 | 2E24 | 11 | 26 - 79 |
| RE47044 | 2F4 | 6 | 26 - 83 | RE48606 | 2E8 | 18 | 26 - 63 | RE52114 | 1G13 | 8 | 25 - 85 |
| RE47106 | 1D11 | 24 | 25 - 5 | RE48606 | 2E17 | 3 | 26 - 70 | RE52114 | 2E21 | 8 | 26 - 75 |
| RE47107 | 1D17 | 1 | 25 - 11 | RE48731 | 2E2 | 1 | 26 - 59 | RE52114 | 2E24 | 8 | 26 - 79 |
| RE47108 | 1D11 | 24 | 25 - 5 | RE48731 | 2E4 | 1 | 26 - 61 | RE52277 | 2D2 | 9 | 26 - 31 |
| RE47120 | 1F19 | 12 | 25 - 65 | RE48739 | 1D21 | 1 | 25 - 15 | RE52454 | 6F8 | 1 | 90 - 92 |
| RE47120 | 1F21 | 12 | 25 - 67 | RE48739 | 1D23 | 10 | 25 - 17 | RE52506 | 6F4 | 1 | 90 - 87 |
| RE47120 | 1F23 | 12 | 25 - 69 | RE48739 | 2C12 | 10 | 26 - 15 | RE52506 | 6F9 | 1 | 90 - 93 |
| RE47120 | 1F25 | 12 | 25 - 71 | RE49243 | 4D24 | 1 | 50 - 53 | RE52507 | 6F10 | 1 | 90 - 94 |
| RE47120 | 2D22 | 11 | 26 - 55 | RE49243 | 4D24 | 6 | 50 - 53 | RE52509 | 6F11 | 1 | 90 - 95 |
| RE47120 | 2D24 | 11 | 26 - 57 | RE49290 | 2F14 | 1 | 26 - 93 | RE52510 | 6F4 | 2 | 90 - 87 |
| RE47336 | 1E11 | 22 | 25 - 31 | RE49591 | 2E2 | 3 | 26 - 59 | RE52510 | 6F9 | 2 | 90 - 93 |
| RE47336 | 1G19 | 17 | 25 - 93 | RE49831 | 1D15 | 1 | 25 - 9 | RE52553 | 6D22 | 4 | 90 - 55 |
| RE47336 | 2C21 | 19 | 26 - 25 | RE49899 | 1G6 | 12 | 25 - 77 | RE52555 | 6E4 | 1 | 90 - 61 |
| RE47336 | 2F8 | 18 | 26 - 87 | RE49899 | 1G6 | 13 | 25 - 77 | RE53199 | 2C13 | 5 | 26 - 16 |
| RE47396 | 2D16 | 2 | 26 - 49 | RE500109 | 2E6 | 1 | 26 - 61B | RE53199 | 2C13 | 7 | 26 - 16 |
| RE47396 | 2E2 | 10 | 26 - 59 | RE500110 | 2E12 | 1 | 26 - 65B | RE53199 | 2C13 | 8 | 26 - 16 |
| RE47414 | 1F25 | 7 | 25 - 71 | RE501246 | 2E12 | 1 | 26 - 65B | RE53199 | 2F9 | 1 | 26 - 88 |

NUMERICAL INDEX - CONTINUED

| PART NO. | GRID | KEY | PAGE | PART NO. | GRID | KEY | PAGE | PART NO. | GRID | KEY | PAGE |
|----------|------|-----|--------|----------|------|-----|--------|----------|------|-----|--------|
| RE53201 | 1D15 | 1 | 25-9 | RE57420 | 2C2 | .. | 26-5 | RE65055 | 1D13 | 25 | 25-7 |
| RE53201 | 1D24 | 7 | 25-18 | RE57512 | 1D23 | 8 | 25-17 | RE65057 | 1D11 | 24 | 25-5 |
| RE53201 | 1D24 | 8 | 25-18 | RE57512 | 1D23 | 10 | 25-17 | RE65057 | 1D13 | 25 | 25-7 |
| RE53203 | 1D17 | 1 | 25-11 | RE57512 | 2C12 | 8 | 26-15 | RE65058 | 1D17 | 1 | 25-11 |
| RE53203 | 1D25 | 4 | 25-19 | RE57512 | 2C12 | 10 | 26-15 | RE65058 | 1D19 | 1 | 25-13 |
| RE53203 | 1D25 | 7 | 25-19 | RE57513 | 1D21 | 1 | 25-15 | RE65059 | 1D15 | 1 | 25-9 |
| RE53203 | 1D25 | 8 | 25-19 | RE57513 | 1D23 | 10 | 25-17 | RE65059 | 1D19 | 1 | 25-13 |
| RE53203 | 1G20 | 1 | 25-94 | RE57513 | 2C12 | 10 | 26-15 | RE65060 | 1D15 | 1 | 25-9 |
| RE53408 | 6F4 | 3 | 90-87 | RE57517 | 1D23 | 8 | 25-17 | RE65060 | 1D19 | 1 | 25-13 |
| RE53408 | 6F9 | 3 | 90-93 | RE57517 | 2C12 | 8 | 26-15 | RE65077 | 2C6 | 1 | 26-9 |
| RE53422 | 1D25 | 2 | 25-19 | RE57733 | 1E3 | 4 | 25-22 | RE65077 | 2C8 | 1 | 26-11 |
| RE53422 | 1D25 | 8 | 25-19 | RE57733 | 2C16 | 4 | 26-19 | RE65176 | 1G22 | 11 | 25-96 |
| RE53426 | 1D15 | 1 | 25-9 | RE58350 | 2D9 | 6 | 26-40 | RE65176 | 1G22 | .. | 25-96 |
| RE53446 | 1D15 | 1 | 25-9 | RE58457 | 1D17 | 1 | 25-11 | RE65176 | 1G24 | 4 | 25-99 |
| RE53458 | 2C6 | 1 | 26-9 | RE58458 | 1D15 | 1 | 25-9 | RE65176 | 1G24 | .. | 25-99 |
| RE53465 | 1D17 | 1 | 25-11 | RE58459 | 1D15 | 1 | 25-9 | RE65176 | 2F10 | 11 | 26-89 |
| RE53470 | 2C6 | 1 | 26-9 | RE58463 | 2C6 | 1 | 26-9 | RE65693 | 6D24 | 1 | 90-57 |
| RE54244 | 1G15 | 2 | 25-89 | RE58465 | 2C6 | 1 | 26-9 | RE65694 | 6D24 | 3 | 90-57 |
| RE54244 | 2F2 | 2 | 26-81 | RE58516 | 1E11 | 19 | 25-31 | RE65695 | 6D22 | 3 | 90-55 |
| RE54244 | 2F4 | 2 | 26-83 | RE58516 | 1E11 | 27 | 25-31 | RE65696 | 6E2 | 1 | 90-59 |
| RE54245 | 1G15 | 3 | 25-89 | RE58516 | 2C21 | 18 | 26-25 | RE65718 | 2D16 | 2 | 26-49 |
| RE54245 | 2F2 | 3 | 26-81 | RE59589 | 1G22 | 11 | 25-96 | RE66000 | 2E6 | 28 | 26-61B |
| RE54245 | 2F4 | 3 | 26-83 | RE59589 | 1G24 | 6 | 25-99 | RE66000 | 2E12 | 28 | 26-65B |
| RE54416 | 1G22 | 10 | 25-96 | RE59589 | 1G24 | .. | 25-99 | RE66548 | 2E6 | 1 | 26-61B |
| RE54416 | 1G22 | 11 | 25-96 | RE59589 | 2F10 | 11 | 26-89 | RE66554 | 2D16 | 2 | 26-49 |
| RE54416 | 1G24 | 6 | 25-99 | RE60294 | 1D21 | 1 | 25-15 | RE66555 | 2E12 | 1 | 26-65B |
| RE54416 | 1G24 | .. | 25-99 | RE60294 | 1D23 | 10 | 25-17 | RE66614 | 2E6 | 1 | 26-61B |
| RE54416 | 2F10 | 10 | 26-89 | RE60294 | 2C10 | 1 | 26-13 | RE66614 | 2E12 | 1 | 26-65B |
| RE54416 | 2F10 | 11 | 26-89 | RE60294 | 2C12 | 10 | 26-15 | RE66778 | 1D21 | 1 | 25-15 |
| RE54416 | 2F12 | 6 | 26-91 | RE60295 | 1D21 | 1 | 25-15 | RE66780 | 1D21 | 1 | 25-15 |
| RE54416 | 2F12 | .. | 26-91 | RE60296 | 2C10 | 1 | 26-13 | RE66784 | 2C10 | 1 | 26-13 |
| RE55277 | 3D6 | 20 | 40-39 | RE60386 | 2C6 | 1 | 26-9 | RE66785 | 2C10 | 1 | 26-13 |
| RE55278 | 3D6 | 20 | 40-39 | RE60396 | 1D11 | 24 | 25-5 | RE67013 | 3G9 | 5 | 40-115 |
| RE55444 | 2C6 | 1 | 26-9 | RE60408 | 1D11 | 24 | 25-5 | RE67014 | 3G9 | 8 | 40-115 |
| RE55445 | 2C6 | 1 | 26-9 | RE60409 | 1D17 | 1 | 25-11 | RE67015 | 3G9 | 6 | 40-115 |
| RE55511 | 1F13 | 1 | 25-59 | RE60410 | 1D15 | 1 | 25-9 | RE67208 | 2D8 | 20 | 26-39 |
| RE55511 | 1F13 | 4 | 25-59 | RE60419 | 1D15 | 1 | 25-9 | RE67934 | 2E6 | 25 | 26-61B |
| RE55511 | 2D16 | 3 | 26-49 | RE60452 | 2C6 | 1 | 26-9 | RE67934 | 2E12 | 25 | 26-65B |
| RE55970 | 2E22 | 10 | 26-76 | RE60550 | 1E18 | 2 | 25-38 | RE68230 | 2D8 | 15 | 26-39 |
| RE55971 | 2D22 | 16 | 26-55 | RE60550 | 2D3 | 2 | 26-32 | RE68316 | 2D9 | 6 | 26-40 |
| RE55971 | 2E22 | 13 | 26-76 | RE60622 | 1E15 | 12 | 25-35 | RE68396 | 1F13 | 12 | 25-59 |
| RE55986 | 1F2 | 20 | 25-47 | RE60622 | 1E15 | 14 | 25-35 | RE68396 | 1F13 | 20 | 25-59 |
| RE55992 | 1F2 | 11 | 25-47 | RE60622 | 1E17 | 12 | 25-37 | RE68396 | 2D14 | 2 | 26-46 |
| RE55992 | 1F4 | 3 | 25-49 | RE60622 | 1E17 | 14 | 25-37 | RE68396 | 2D16 | 15 | 26-49 |
| RE55994 | 1F4 | 11 | 25-49 | RE60622 | 1E18 | 2 | 25-38 | RE68396 | 2D16 | 16 | 26-49 |
| RE56053 | 1G22 | 11 | 25-96 | RE60622 | 1E19 | 9 | 25-39 | RE68401 | 4D24 | 16 | 50-53 |
| RE56053 | 1G22 | .. | 25-96 | RE62723 | 2D2 | 9 | 26-31 | RE68495 | 3G9 | 1 | 40-115 |
| RE56053 | 1G24 | 4 | 25-99 | RE62898 | 2E10 | 1 | 26-65 | RE68844 | 2D16 | 3 | 26-49 |
| RE56053 | 1G24 | .. | 25-99 | RE63090 | 2F2 | 6 | 26-81 | RE69839 | 2D8 | 10 | 26-39 |
| RE56053 | 2F10 | 11 | 26-89 | RE63090 | 2F4 | 6 | 26-83 | RE69839 | 2D9 | 3 | 26-40 |
| RE56053 | 2F12 | .. | 26-91 | RE63115 | 2D2 | 9 | 26-31 | RE69844 | 1F2 | 11 | 25-47 |
| RE56165 | 7D8 | 9 | 120-39 | RE63115 | 2D2 | 11 | 26-31 | RE69844 | 1F4 | 3 | 25-49 |
| RE566548 | 2E6 | 1 | 26-61B | RE63293 | 1D24 | 2 | 25-18 | RE69847 | 1F4 | 8 | 25-49 |
| RE56715 | 1D15 | 1 | 25-9 | RE63293 | 1D24 | 5 | 25-18 | RE69847 | 1F4 | 11 | 25-49 |
| RE56740 | 2E22 | 9 | 26-76 | RE63293 | 1D24 | 8 | 25-18 | RE70105 | 2D16 | 2 | 26-49 |
| RE57054 | 2C18 | 3 | 26-21 | RE63514 | 2D16 | 2 | 26-49 | RE70922 | 2D16 | 2 | 26-49 |
| RE57372 | 2D16 | 2 | 26-49 | RE63514 | 2E4 | 10 | 26-61 | RE70923 | 2D16 | 2 | 26-49 |
| RE57372 | 2E4 | 10 | 26-61 | RE63514 | 2E6 | 10 | 26-61B | RG19170 | 1E6 | 4 | 25-26 |
| RE57372 | 2E6 | 10 | 26-61B | RE63514 | 2E10 | 10 | 26-65 | RG19170 | 1E7 | 4 | 25-27 |
| RE57372 | 2E10 | 10 | 26-65 | RE63514 | 2E12 | 10 | 26-65B | RG19279 | 1F2 | 15 | 25-47 |
| RE57372 | 2E12 | 10 | 26-65B | RE63832 | 6E4 | 2 | 90-61 | RG19279 | 1F4 | 11 | 25-49 |
| RE57394 | 1E23 | 1 | 25-43 | RE64206 | 2C10 | 1 | 26-13 | RG20846 | 1D21 | 1 | 25-15 |
| RE57394 | 1E23 | 2 | 25-43 | RE64206 | 2F8 | 37 | 26-87 | RG22248 | 1G19 | 20 | 25-93 |
| RE57394 | 1E23 | 25 | 25-43 | RE64212 | 2C10 | 1 | 26-13 | RG22248 | 2F8 | 19 | 26-87 |
| RE57394 | 2D5 | 12 | 26-35 | RE65052 | 2C6 | 1 | 26-9 | RG22421 | 1E6 | 4 | 25-26 |
| RE57394 | 2D5 | 13 | 26-35 | RE65052 | 2C8 | 1 | 26-11 | RG22421 | 1E7 | 4 | 25-27 |
| RE57394 | 2D5 | 14 | 26-35 | RE65055 | 1D11 | 24 | 25-5 | RG22789 | 2C11 | 1 | 26-14 |

1L10

9600 MAXIMIZER COMBINE

NUMERICAL INDEX - CONTINUED

| PART NO. | GRID | KEY | PAGE | PART NO. | GRID | KEY | PAGE | PART NO. | GRID | KEY | PAGE |
|----------|------|-----|--------|----------|------|-----|--------|----------|------|-----|--------|
| RG22793 | 2C10 | 1 | 26-13 | R102882 | 2C21 | 5 | 26-25 | R105494 | 1E6 | 4 | 25-26 |
| RG22797 | 1D21 | 1 | 25-15 | R102932 | 1E11 | 27 | 25-31 | R105494 | 1E7 | 2 | 25-27 |
| RG23426 | 1D22 | 1 | 25-16 | R102932 | 2C21 | 18 | 26-25 | R105494 | 1E7 | 4 | 25-27 |
| RG23426 | 2C11 | 1 | 26-14 | R104574 | 2C2 | 11 | 26-5 | R105494 | 1E9 | 15 | 25-29 |
| RG23551 | 2C13 | 5 | 26-16 | R104574 | 2C4 | 1 | 26-7 | R105506 | 2C17 | 3 | 26-20 |
| RG23551 | 2C13 | 8 | 26-16 | R104574 | 2C6 | 1 | 26-9 | R105578 | 1F7 | 15 | 25-52 |
| RG24025 | 1D13 | 24 | 25-7 | R104574 | 2C8 | 1 | 26-11 | R105581 | 6D11 | 13 | 90-43 |
| RG24025 | 1E11 | .. | 25-31 | R104574 | 2C19 | 2 | 26-22 | R105732 | 2D8 | 4 | 26-39 |
| RG24026 | 2C21 | .. | 26-25 | R104587 | 2C13 | 4 | 26-16 | R105732 | 2D8 | 19 | 26-39 |
| RG25273 | 2C4 | 1 | 26-7 | R104589 | 2C18 | 6 | 26-21 | R105732 | 2F15 | 5 | 26-94 |
| RG25825 | 2C4 | 1 | 26-7 | R104590 | 2E2 | 11 | 26-59 | R106859 | 1D11 | 6 | 25-5 |
| RG27884 | 1G19 | 20 | 25-93 | R104590 | 2E4 | 11 | 26-61 | R106859 | 1D13 | 6 | 25-7 |
| RG27884 | 2F8 | 19 | 26-87 | R104590 | 2E6 | 11 | 26-61B | R106859 | 1E23 | 18 | 25-43 |
| RG27912 | 1D21 | 1 | 25-15 | R104590 | 2E8 | 12 | 26-63 | R107734 | 3E19 | 11 | 40-76 |
| RG27918 | 1D21 | 1 | 25-15 | R104590 | 2E10 | 11 | 26-65 | R107734 | 3E20 | 11 | 40-77 |
| RG27920 | 2C10 | 1 | 26-13 | R104590 | 2E12 | 11 | 26-65B | R108370 | 1E6 | 2 | 25-26 |
| RG27921 | 2C10 | 1 | 26-13 | R104591 | 2D8 | 1 | 26-39 | R108370 | 1E6 | 4 | 25-26 |
| RV702A | 4G20 | 25 | 60-9 | R104592 | 1D11 | 12 | 25-5 | R108370 | 1E7 | 2 | 25-27 |
| RV810A | 8H22 | 14 | 125-53 | R104592 | 1D13 | 12 | 25-7 | R108370 | 1E7 | 4 | 25-27 |
| RV810A | 9B22 | 3 | 130-5 | R104592 | 1E23 | 5 | 25-43 | R108370 | 1E9 | 15 | 25-29 |
| R100364 | 2D8 | 12 | 26-39 | R104592 | 1F10 | 6 | 25-55 | R108400 | 2F15 | 1 | 26-94 |
| R100367 | 2D8 | 11 | 26-39 | R104592 | 2C2 | 10 | 26-5 | R108604 | 2D11 | 16 | 26-43 |
| R100367 | 2D9 | 4 | 26-40 | R104592 | 2D13 | 1 | 26-45 | R108630 | 2D11 | 23 | 26-43 |
| R100367 | 2F8 | 26 | 26-87 | R104592 | 2D14 | 2 | 26-46 | R108691 | 1F13 | 4 | 25-59 |
| R100369 | 2D8 | 9 | 26-39 | R104592 | 2D14 | 4 | 26-46 | R108691 | 1F13 | 8 | 25-59 |
| R100369 | 2D9 | 2 | 26-40 | R104595 | 3D4 | 6 | 40-37 | R108699 | 1G11 | 7 | 25-83 |
| R100380 | 1H1 | 3 | 25-101 | R104595 | 3D4 | 18 | 40-37 | R108699 | 2E19 | 7 | 26-72 |
| R100406 | 2C4 | .. | 26-7 | R104621 | 1E23 | 3 | 25-43 | R108700 | 1G11 | 8 | 25-83 |
| R100406 | 2C6 | 1 | 26-9 | R104621 | 2D5 | 11 | 26-35 | R108700 | 2E19 | 8 | 26-72 |
| R100499 | 2D5 | 5 | 26-35 | R104623 | 2C17 | 2 | 26-20 | R108701 | 1G11 | 9 | 25-83 |
| R100508 | 1G24 | 13 | 25-99 | R104623 | 2F8 | 22 | 26-87 | R108701 | 2E19 | 9 | 26-72 |
| R100508 | 2F12 | 13 | 26-91 | R104628 | 1E15 | 11 | 25-35 | R108702 | 1G11 | 11 | 25-83 |
| R100509 | 1G24 | 8 | 25-99 | R104628 | 1E17 | 11 | 25-37 | R108702 | 2E19 | 11 | 26-72 |
| R100509 | 2F12 | 8 | 26-91 | R104628 | 1E18 | 3 | 25-38 | R108867 | 2D5 | 9 | 26-35 |
| R100511 | 1G24 | 7 | 25-99 | R104628 | 2D2 | 8 | 26-31 | R108996 | 4E17 | 16 | 50-71 |
| R100511 | 2F12 | 7 | 26-91 | R104628 | 2D3 | 3 | 26-32 | R109717 | 2C18 | 2 | 26-21 |
| R100512 | 1G24 | 12 | 25-99 | R104646 | 1G22 | 6 | 25-96 | R109717 | 2C18 | 3 | 26-21 |
| R100512 | 2F12 | 12 | 26-91 | R104646 | 2F10 | 6 | 26-89 | R109717 | 2C22 | 15 | 26-26 |
| R100513 | 1G24 | 5 | 25-99 | R104646 | 2F13 | 3 | 26-92 | R109777 | 1D11 | 24 | 25-5 |
| R100513 | 2F12 | 5 | 26-91 | R104656 | 2C17 | 15 | 26-20 | R109777 | 1D15 | 1 | 25-9 |
| R100569 | 1E15 | 13 | 25-35 | R104656 | 2C18 | 5 | 26-21 | R109777 | 1D17 | 1 | 25-11 |
| R100569 | 1E17 | 13 | 25-37 | R104676 | 1G22 | 5 | 25-96 | R109780 | 1D11 | 24 | 25-5 |
| R100569 | 1E18 | 1 | 25-38 | R104676 | 2F10 | 5 | 26-89 | R109780 | 1D15 | 1 | 25-9 |
| R100569 | 2D2 | 10 | 26-31 | R104676 | 2F13 | 2 | 26-92 | R109859 | 2D11 | 16 | 26-43 |
| R100569 | 2D3 | 1 | 26-32 | R104677 | 2F13 | 4 | 26-92 | R110126 | 1E6 | 2 | 25-26 |
| R100569 | 2F8 | 34 | 26-87 | R104706 | 1F10 | 6 | 25-55 | R110126 | 1E7 | 2 | 25-27 |
| R100630 | 1E7 | 6 | 25-27 | R104858 | 2C18 | 2 | 26-21 | R110126 | 1E9 | 15 | 25-29 |
| R100727 | 4E5 | 7 | 50-58 | R104858 | 2C18 | 3 | 26-21 | R110126 | 2C18 | 2 | 26-21 |
| R100747 | 1F13 | 17 | 25-59 | R104858 | 2C22 | 15 | 26-26 | R110126 | 2C22 | 15 | 26-26 |
| R100747 | 2D16 | 21 | 26-49 | R104859 | 1E4 | 11 | 25-24 | R110286 | 2C21 | 21 | 26-25 |
| R100911 | 1G19 | 3 | 25-93 | R104859 | 1E4 | 12 | 25-24 | R110288 | 2C21 | 7 | 26-25 |
| R100911 | 2F8 | 2 | 26-87 | R104859 | 2C17 | 4 | 26-20 | R110289 | 2C21 | 6 | 26-25 |
| R10093 | 6E23 | 5 | 90-81 | R104861 | 1E5 | 1 | 25-25 | R111156 | 5C12 | 5 | 70-17 |
| R10093 | 6E25 | 3 | 90-83 | R104861 | 2C17 | 5 | 26-20 | R111692 | 7D8 | 3 | 120-39 |
| R10093 | 6F2 | 3 | 90-85 | R104861 | 2D8 | 6 | 26-39 | R111995 | 4D24 | 1 | 50-53 |
| R100942 | 1E6 | 6 | 25-26 | R104862 | 2D5 | 15 | 26-35 | R111995 | 4D24 | 6 | 50-53 |
| R100942 | 1E6 | 6A | 25-26 | R105346 | 1F13 | 15 | 25-59 | R112038 | 2F15 | 6 | 26-94 |
| R101042 | 2D8 | 2 | 26-39 | R105346 | 1G19 | 6 | 25-93 | R112053 | 2C18 | 7 | 26-21 |
| R101042 | 2D9 | 1 | 26-40 | R105346 | 2D16 | 19 | 26-49 | R112267 | 2C17 | 9 | 26-20 |
| R101042 | 2F8 | 25 | 26-87 | R105346 | 2F8 | 5 | 26-87 | R112267 | 2D8 | 4 | 26-39 |
| R101043 | 2D8 | 14 | 26-39 | R105379 | 1E6 | 2 | 25-26 | R112267 | 2D8 | 5 | 26-39 |
| R102838 | 1F10 | 7 | 25-55 | R105379 | 1E7 | 2 | 25-27 | R112268 | 1E5 | 14 | 25-25 |
| R102838 | 1G19 | 9 | 25-93 | R105379 | 1E9 | 15 | 25-29 | R112268 | 2C17 | 8 | 26-20 |
| R102838 | 2D13 | 2 | 26-45 | R105379 | 2C18 | 2 | 26-21 | R112268 | 2D8 | 14 | 26-39 |
| R102838 | 2D14 | 3 | 26-46 | R105379 | 2C22 | 15 | 26-26 | R112269 | 1E4 | 11 | 25-24 |
| R102844 | 2D5 | 7 | 26-35 | R105488 | 1D25 | 4 | 25-19 | R112269 | 1E4 | 13 | 25-24 |
| R102882 | 1E11 | 26 | 25-31 | R105494 | 1E6 | 2 | 25-26 | R112269 | 2C17 | 6 | 26-20 |

NUMERICAL INDEX - CONTINUED

| PART NO. | GRID | KEY | PAGE | PART NO. | GRID | KEY | PAGE | PART NO. | GRID | KEY | PAGE |
|----------|------|-----|--------|----------|------|-----|--------|----------|------|-----|--------|
| R112269 | 2D8 | 4 | 26-39 | R121045 | 2E22 | 2 | 26-76 | R124328 | 1E15 | 14 | 25-35 |
| R112273 | 2C17 | 10 | 26-20 | R121046 | 2E22 | 3 | 26-76 | R124328 | 1E17 | 14 | 25-37 |
| R112679 | 7D8 | 5 | 120-39 | R121047 | 2E22 | 4 | 26-76 | R124581 | 1G24 | 4 | 25-99 |
| R11278 | 3D8 | 5 | 40-41 | R121048 | 2E22 | 5 | 26-76 | R124746 | 2D2 | 11 | 26-31 |
| R112857 | 4D4 | 12 | 50-33 | R121050 | 2E22 | 8 | 26-76 | R125027 | 1E2 | 3 | 25-21 |
| R112857 | 4D12 | 32 | 50-41 | R121051 | 2E22 | 9 | 26-76 | R125027 | 2C15 | 3 | 26-18 |
| R112857 | 4D18 | 12 | 50-47 | R121052 | 2E22 | 11 | 26-76 | R125183 | 1E3 | 4 | 25-22 |
| R112884 | 1E3 | 1 | 25-22 | R121053 | 2E22 | 6 | 26-76 | R125183 | 2C16 | 4 | 26-19 |
| R112884 | 2C16 | 1 | 26-19 | R121054 | 2E22 | 6 | 26-76 | R128557 | 2D5 | 1 | 26-35 |
| R113050 | 6E23 | 3 | 90-81 | R121055 | 2E22 | 6 | 26-76 | R128557 | 2F8 | 33 | 26-87 |
| R113050 | 6F2 | 1 | 90-85 | R121056 | 2E22 | 6 | 26-76 | R128558 | 2D5 | 3 | 26-35 |
| R114085 | 1F11 | 2 | 25-56 | R121057 | 2E22 | 6 | 26-76 | R128558 | 2F8 | 29 | 26-87 |
| R114130 | 1D11 | 2 | 25-5 | R121058 | 2E22 | 6 | 26-76 | R133617 | 3C2 | 17 | 40-7 |
| R114130 | 1D13 | 2 | 25-7 | R121059 | 2E22 | 6 | 26-76 | R133617 | 6D3 | 17 | 90-35 |
| R114130 | 1G2 | 10 | 25-73 | R121060 | 2E22 | 6 | 26-76 | R134429 | 1F10 | 6 | 25-55 |
| R114130 | 1G4 | 9 | 25-75 | R121061 | 2E22 | 6 | 26-76 | R134429 | 2D13 | 1 | 26-45 |
| R114130 | 1G6 | 6 | 25-77 | R121062 | 2E22 | 6 | 26-76 | R134727 | 2D5 | 5 | 26-35 |
| R114130 | 1G21 | 1 | 25-95 | R121063 | 2E22 | 6 | 26-76 | R136083 | 1E9 | 3 | 25-29 |
| R114130 | 1G22 | 2 | 25-96 | R121064 | 2E22 | 6 | 26-76 | R136083 | 2C22 | 3 | 26-26 |
| R114130 | 2E2 | 14 | 26-59 | R121065 | 2E22 | 6 | 26-76 | R15027 | 3E18 | 23 | 40-75 |
| R114130 | 2E4 | 14 | 26-61 | R121066 | 2E22 | 6 | 26-76 | R15029 | 3E18 | 19 | 40-75 |
| R114130 | 2E6 | 14 | 26-61B | R121067 | 2E22 | 6 | 26-76 | R15033 | 3E18 | 20 | 40-75 |
| R114130 | 2E8 | 15 | 26-63 | R121068 | 2E22 | 6 | 26-76 | R15036 | 3E18 | 8 | 40-75 |
| R114130 | 2E10 | 14 | 26-65 | R121069 | 2E22 | 6 | 26-76 | R15036 | 3E22 | 14 | 40-79 |
| R114130 | 2E12 | 14 | 26-65B | R121070 | 2E22 | 6 | 26-76 | R1612R | 1D11 | 10 | 25-5 |
| R114130 | 2F10 | 2 | 26-89 | R121071 | 2E22 | 6 | 26-76 | R1612R | 1D13 | 10 | 25-7 |
| R114160 | 2D11 | 6 | 26-43 | R121072 | 2E22 | 6 | 26-76 | R1612R | 2C2 | 8 | 26-5 |
| R115050 | 1E2 | 3 | 25-21 | R121073 | 2E22 | 6 | 26-76 | R1818R | 4C18 | 4 | 50-23 |
| R115050 | 2C15 | 3 | 26-18 | R121195 | 2E2 | 13 | 26-59 | R1964R | 8E2 | 22 | 121-57 |
| R115368 | 1G13 | 5 | 25-85 | R121195 | 2E4 | 13 | 26-61 | R20135 | 8D8 | 3 | 121-39 |
| R115368 | 2E21 | 5 | 26-75 | R121195 | 2E6 | 13 | 26-61B | R20136 | 6F21 | 27 | 110-3 |
| R115368 | 2E24 | 5 | 26-79 | R121195 | 2E8 | 14 | 26-63 | R20136 | 6H20 | 11 | 110-53 |
| R115369 | 1G13 | 3 | 25-85 | R121195 | 2E10 | 13 | 26-65 | R21612 | 4H2 | 27 | 60-15 |
| R115369 | 1G13 | 5 | 25-85 | R121195 | 2E12 | 13 | 26-65B | R21630 | 1D11 | 13 | 25-5 |
| R115369 | 2E21 | 3 | 26-75 | R121199 | 1E3 | 1 | 25-22 | R21630 | 1D13 | 13 | 25-7 |
| R115369 | 2E24 | 3 | 26-79 | R121199 | 2C16 | 1 | 26-19 | R26012 | 4E17 | 24 | 50-71 |
| R115393 | 2D14 | 2 | 26-46 | R121320 | 1E11 | 11 | 25-31 | R26049 | 1D25 | 4 | 25-19 |
| R115742 | 6F8 | .. | 90-92 | R121320 | 2C21 | 8 | 26-25 | R26058 | 1E2 | 4 | 25-21 |
| R115743 | 6F4 | 4 | 90-87 | R121321 | 1E11 | 10 | 25-31 | R26058 | 1G19 | 37 | 25-93 |
| R115743 | 6F9 | 4 | 90-93 | R121322 | 1E11 | 9 | 25-31 | R26058 | 2C15 | 4 | 26-18 |
| R116311 | 1D15 | 1 | 25-9 | R121489 | 2C21 | 21 | 26-25 | R26058 | 2F8 | 35 | 26-87 |
| R116311 | 1D17 | 1 | 25-11 | R121490 | 2C21 | 7 | 26-25 | R26079 | 1E9 | 8 | 25-29 |
| R116311 | 1D24 | 7 | 25-18 | R121491 | 2C21 | 6 | 26-25 | R26079 | 2C22 | 8 | 26-26 |
| R116311 | 1D25 | 7 | 25-19 | R122112 | 1E11 | 27 | 25-31 | R26081 | 1E9 | 2 | 25-29 |
| R116311 | 1G20 | 1 | 25-94 | R122112 | 2C21 | 18 | 26-25 | R26081 | 2C22 | 2 | 26-26 |
| R116311 | 2C13 | 7 | 26-16 | R122483 | 2E22 | 7 | 26-76 | R26151 | 1E20 | 5 | 25-40 |
| R116311 | 2F9 | 1 | 26-88 | R122491 | 2C21 | 18 | 26-25 | R26151 | 1E21 | 5 | 25-41 |
| R116465 | 2C17 | 3 | 26-20 | R122595 | 1F16 | 2 | 25-62 | R26151 | 1E23 | 11 | 25-43 |
| R119223 | 1G15 | 1 | 25-89 | R122595 | 2D19 | 2 | 26-52 | R26192 | 4H12 | 28 | 60-25 |
| R119223 | 2F2 | 1 | 26-81 | R122618 | 1F13 | 13 | 25-59 | R26192 | 4H12 | 30 | 60-25 |
| R119223 | 2F4 | 1 | 26-83 | R122618 | 2D16 | 17 | 26-49 | R26192 | 6E15 | 28 | 90-73 |
| R119995 | 2C4 | .. | 26-7 | R122729 | 1D11 | 24 | 25-5 | R26192 | 6E15 | 30 | 90-73 |
| R119995 | 2C6 | 1 | 26-9 | R122729 | 1D13 | 25 | 25-7 | R26207 | 4C10 | 6 | 50-15 |
| R119996 | 2C4 | .. | 26-7 | R122729 | 1D15 | 1 | 25-9 | R26265 | 4C22 | 7 | 50-27 |
| R119996 | 2C6 | 1 | 26-9 | R122729 | 1D17 | 1 | 25-11 | R26333 | 1G20 | 4 | 25-94 |
| R120646 | 1F10 | 7 | 25-55 | R122729 | 1D19 | 1 | 25-13 | R26333 | 2F9 | 4 | 26-88 |
| R120646 | 1G19 | 9 | 25-93 | R122730 | 1D11 | 24 | 25-5 | R26375 | 3E6 | 24 | 40-63 |
| R120646 | 2D13 | 2 | 26-45 | R122730 | 1D13 | 25 | 25-7 | R26375 | 4C10 | .. | 50-15 |
| R120646 | 2D14 | 3 | 26-46 | R122730 | 1D15 | 1 | 25-9 | R26375 | 4C18 | 2A | 50-23 |
| R120646 | 2F8 | 9 | 26-87 | R122730 | 1D19 | 1 | 25-13 | R26375 | 4C18 | 11 | 50-23 |
| R120752 | 1D24 | 3 | 25-18 | R122736 | 2C4 | .. | 26-7 | R26375 | 4E9 | 12 | 50-63 |
| R120752 | 1D25 | 3 | 25-19 | R122736 | 2C6 | 1 | 26-9 | R26375 | 4F20 | 34 | 50-99 |
| R120752 | 2C13 | 3 | 26-16 | R122736 | 2C8 | 1 | 26-11 | R26375 | 4F22 | 28 | 50-101 |
| R120872 | 2C18 | 2 | 26-21 | R122737 | 2C4 | .. | 26-7 | R26375 | 4F24 | 1 | 50-103 |
| R120872 | 2C18 | 3 | 26-21 | R122737 | 2C6 | 1 | 26-9 | R26375 | 4G18 | 11 | 60-7 |
| R120872 | 2C22 | 15 | 26-26 | R122737 | 2C8 | 1 | 26-11 | R26375 | 4H10 | 5 | 60-23 |
| R121044 | 2E22 | 1 | 26-76 | R124186 | 2D5 | 8 | 26-35 | R26375 | 4H16 | 1 | 60-29 |

NUMERICAL INDEX - CONTINUED

| PART NO. | GRID | KEY | PAGE | PART NO. | GRID | KEY | PAGE | PART NO. | GRID | KEY | PAGE |
|----------|------|-----|--------|----------|------|-----|--------|----------|------|-----|--------|
| R26375 | 5C7 | 1 | 70-12 | R26448 | 5F8 | 14 | 70-91 | R27443 | 1E9 | 9 | 25-29 |
| R26375 | 5C8 | 2 | 70-13 | R26448 | 5F20 | 6 | 70-103 | R27443 | 2C22 | 9 | 26-26 |
| R26375 | 5C10 | 4 | 70-15 | R26448 | 5F20 | 9 | 70-103 | R27474 | 8B23 | 9 | 121-5 |
| R26375 | 5C12 | 3 | 70-17 | R26448 | 5G6 | 9 | 70-113 | R27533 | 5G23 | 7 | 80-9 |
| R26375 | 5C16 | 5 | 70-21 | R26448 | 5G8 | 10 | 70-115 | R27564 | 5E3 | 14 | 70-58 |
| R26375 | 5C20 | 33 | 70-25 | R26448 | 5G12 | 2 | 70-119 | R27564 | 8C20 | 42 | 121-27 |
| R26375 | 5C22 | 12 | 70-27 | R26448 | 9E11 | 8 | 160-2 | R27796 | 4C24 | 7 | 50-29 |
| R26375 | 5D2 | 3 | 70-31 | R26501 | 4H14 | 30 | 60-27 | R27928 | 5D11 | 6 | 70-41 |
| R26375 | 5D4 | 1 | 70-33 | R26501 | 6E8 | 11 | 90-65 | R27928 | 9E12 | 6 | 160-3 |
| R26375 | 5D6 | 11 | 70-35 | R26501 | 6E17 | 30 | 90-75 | R28583 | 1F10 | 9 | 25-55 |
| R26375 | 5D13 | 19 | 70-43 | R26524 | 4H14 | 32 | 60-27 | R28583 | 2D20 | 3 | 26-53 |
| R26375 | 5D15 | 17 | 70-45 | R26524 | 6E17 | 32 | 90-75 | R28583 | 2F24 | 7 | 30-9 |
| R26375 | 5D17 | 8 | 70-47 | R26559 | 1E9 | 4 | 25-29 | R28583 | 2G2 | 7 | 30-11 |
| R26375 | 5D19 | 18 | 70-49 | R26559 | 2C22 | 4 | 26-26 | R28776 | 5D11 | 1 | 70-41 |
| R26375 | 5D22 | 9 | 70-52 | R26622 | 1D11 | 6 | 25-5 | R28776 | 5G8 | 4 | 70-115 |
| R26375 | 5D24 | 1 | 70-55 | R26622 | 1D13 | 6 | 25-7 | R28776 | 9E12 | 1 | 160-3 |
| R26375 | 5F6 | 9 | 70-89 | R26622 | 1E23 | 18 | 25-43 | R28782 | 3E6 | 23 | 40-63 |
| R26375 | 5G8 | 2 | 70-115 | R26650 | 4D24 | 15 | 50-53 | R28782 | 4D6 | 36 | 50-35 |
| R26375 | 5G12 | 7 | 70-119 | R26650 | 4E2 | 5 | 50-55 | R28782 | 4D13 | 10 | 50-42 |
| R26375 | 8C12 | 20 | 121-19 | R26748 | 1E9 | 12 | 25-29 | R28782 | 4D16 | 10 | 50-45 |
| R26375 | 8D16 | 20 | 121-47 | R26748 | 2C22 | 12 | 26-26 | R28782 | 4D20 | 36 | 50-49 |
| R26375 | 8D16 | 30 | 121-47 | R26871 | 7D8 | 4 | 120-39 | R28782 | 4E5 | 10 | 50-58 |
| R26375 | 8D18 | 17 | 121-49 | R26906 | 1F2 | 4 | 25-47 | R28782 | 4E12 | 9 | 50-66 |
| R26375 | 8H8 | 10 | 125-39 | R26906 | 1F6 | 2 | 25-51 | R28782 | 4E13 | 9 | 50-67 |
| R26375 | 8H10 | 14 | 125-41 | R26906 | 4D6 | 6 | 50-35 | R28782 | 4F20 | 17 | 50-99 |
| R26375 | 9C13 | 15 | 130-21 | R26906 | 4D13 | 2 | 50-42 | R28782 | 4F22 | 17 | 50-101 |
| R26375 | 9E11 | 4 | 160-2 | R26906 | 4D16 | 2 | 50-45 | R28782 | 4G18 | 15 | 60-7 |
| R26448 | 1F13 | 4 | 25-59 | R26906 | 4D20 | 6 | 50-49 | R28782 | 5C7 | 9 | 70-12 |
| R26448 | 1F13 | 7 | 25-59 | R26906 | 5B24 | 13 | 70-5 | R28782 | 5E7 | 20 | 70-63 |
| R26448 | 1G7 | 9 | 25-79 | R26906 | 5C10 | 9 | 70-15 | R28782 | 5E9 | 19 | 70-65 |
| R26448 | 1G8 | 5 | 25-80 | R26906 | 5C14 | 8 | 70-19 | R28782 | 5F18 | 1 | 70-101 |
| R26448 | 2E16 | 3 | 26-69 | R26906 | 5C18 | 5 | 70-23 | R28782 | 5F20 | 6 | 70-103 |
| R26448 | 2E17 | 4 | 26-70 | R26906 | 5D11 | 14 | 70-41 | R28782 | 5F20 | 12 | 70-103 |
| R26448 | 2E18 | 3 | 26-71 | R26906 | 5D19 | 1 | 70-49 | R28782 | 5G8 | 14 | 70-115 |
| R26448 | 2F22 | 9 | 30-7 | R26906 | 5D24 | 14 | 70-55 | R28782 | 5G12 | 10 | 70-119 |
| R26448 | 4D7 | 20 | 50-36 | R26906 | 5E3 | 17 | 70-58 | R28811 | 1E3 | 3 | 25-22 |
| R26448 | 4D8 | 20 | 50-37 | R26906 | 5E11 | 16 | 70-67 | R28811 | 2C16 | 3 | 26-19 |
| R26448 | 4D10 | 19 | 50-39 | R26906 | 5E12 | 16 | 70-68 | R29936 | 4F14 | 27 | 50-93 |
| R26448 | 4D12 | 11 | 50-41 | R26906 | 5E14 | 16 | 70-71 | R29936 | 4F14 | 28 | 50-93 |
| R26448 | 4D14 | 20 | 50-43 | R26906 | 5E16 | 16 | 70-73 | R29936 | 4F14 | 33 | 50-93 |
| R26448 | 4D15 | 20 | 50-44 | R26906 | 5G6 | 2 | 70-113 | R29936 | 4F16 | 21 | 50-95 |
| R26448 | 4D22 | 11 | 50-51 | R26906 | 5G8 | 17 | 70-115 | R29936 | 4F18 | 14 | 50-97 |
| R26448 | 4E12 | 7 | 50-66 | R26906 | 6F23 | 30 | 110-5 | R29936 | 4F22 | 35 | 50-101 |
| R26448 | 4E13 | 7 | 50-67 | R26906 | 8B23 | 8 | 121-5 | R29936 | 4F25 | 9 | 50-104 |
| R26448 | 4F20 | 10 | 50-99 | R26906 | 8H6 | 11 | 125-37 | R29936 | 4H10 | 12 | 60-23 |
| R26448 | 4F20 | 33 | 50-99 | R26906 | 8H8 | 18 | 125-39 | R29936 | 5C18 | 2 | 70-23 |
| R26448 | 4F22 | 10 | 50-101 | R26906 | 8H10 | 10 | 125-41 | R29936 | 5D19 | 15 | 70-49 |
| R26448 | 4F22 | 27 | 50-101 | R26906 | 9E12 | 14 | 160-3 | R29936 | 5D24 | 15 | 70-55 |
| R26448 | 4G9 | 1 | 50-113 | R27149 | 1D11 | 27 | 25-5 | R29936 | 5D24 | 24 | 70-55 |
| R26448 | 4G16 | 1 | 60-5 | R27149 | 1D13 | 28 | 25-7 | R29936 | 8H4 | 5 | 125-35 |
| R26448 | 4G18 | 2 | 60-7 | R27149 | 2C2 | 24 | 26-5 | R29936 | 8H6 | 13 | 125-37 |
| R26448 | 4H10 | 14 | 60-23 | R27166 | 4D10 | 9 | 50-39 | R30378 | 3F22 | 43 | 40-103 |
| R26448 | 4H22 | 1 | 60-35 | R27175 | 4D12 | 26 | 50-41 | R30399 | 4I8 | 15 | 60-45 |
| R26448 | 5C2 | 17 | 70-7 | R27175 | 4D13 | 1 | 50-42 | R30815 | 5C8 | 6 | 70-13 |
| R26448 | 5C20 | 27 | 70-25 | R27175 | 4D16 | 1 | 50-45 | R30815 | 5C22 | 13 | 70-27 |
| R26448 | 5C22 | 22 | 70-27 | R27175 | 4D22 | 26 | 50-51 | R30903 | 4D6 | 19 | 50-35 |
| R26448 | 5C24 | 19 | 70-29 | R27218 | 4D7 | 21 | 50-36 | R30903 | 4D20 | 19 | 50-49 |
| R26448 | 5D4 | 23 | 70-33 | R27218 | 4D8 | 21 | 50-37 | R30903 | 5E9 | 14 | 70-65 |
| R26448 | 5E2 | 4 | 70-57 | R27218 | 4D10 | 20 | 50-39 | R31250 | 3E14 | 13 | 40-71 |
| R26448 | 5E7 | 27 | 70-63 | R27218 | 4D14 | 21 | 50-43 | R31378 | 6H12 | 2 | 110-45 |
| R26448 | 5E11 | 22 | 70-67 | R27218 | 4D15 | 21 | 50-44 | R31674 | 4E12 | 4 | 50-66 |
| R26448 | 5E14 | 22 | 70-71 | R27218 | 4E12 | 8 | 50-66 | R31674 | 4E13 | 4 | 50-67 |
| R26448 | 5E18 | 3 | 70-75 | R27218 | 4E13 | 8 | 50-67 | R31890 | 6D11 | 15 | 90-43 |
| R26448 | 5E20 | 3 | 70-77 | R27218 | 4G18 | 10 | 60-7 | R32011 | 3F24 | 8 | 40-105 |
| R26448 | 5E23 | 3 | 70-81 | R27218 | 5G8 | 13 | 70-115 | R32016 | 3F24 | 10 | 40-105 |
| R26448 | 5E25 | 20 | 70-83 | R27218 | 5G12 | 6 | 70-119 | R32017 | 3F24 | 11 | 40-105 |
| R26448 | 5F6 | 7 | 70-89 | R27441 | 6E12 | 18 | 90-69 | R32018 | 3F24 | 12 | 40-105 |

NUMERICAL INDEX - CONTINUED

| PART NO. | GRID | KEY | PAGE | PART NO. | GRID | KEY | PAGE | PART NO. | GRID | KEY | PAGE |
|----------|------|-----|----------|----------|------|-----|----------|----------|------|-----|----------|
| R32019 | 3F24 | 13 | 40 - 105 | R41076 | 7D8 | 2 | 120 - 39 | R45638 | 5G13 | 4 | 70 - 120 |
| R32021 | 3F24 | 14 | 40 - 105 | R41285 | 2D8 | 7 | 26 - 39 | R45847 | 6F13 | 5 | 90 - 97 |
| R32022 | 3F24 | 15 | 40 - 105 | R41934 | 1D24 | 1 | 25 - 18 | R46414 | 1H1 | 12 | 25 - 101 |
| R32023 | 3F24 | 16 | 40 - 105 | R41934 | 1D25 | 1 | 25 - 19 | R46414 | 5H22 | 4 | 80 - 33 |
| R32024 | 3F25 | 3 | 40 - 106 | R41934 | 2C13 | 1 | 26 - 16 | R46414 | 6E19 | 7 | 90 - 77 |
| R32025 | 3F25 | 4 | 40 - 106 | R42009 | 4H6 | 6 | 60 - 19 | R46479 | 1F7 | 13 | 25 - 52 |
| R32026 | 3F22 | 48 | 40 - 103 | R42340 | 1D11 | 9 | 25 - 5 | R46479 | 1F8 | 12 | 25 - 53 |
| R32026 | 3F24 | 17 | 40 - 105 | R42340 | 1D13 | 9 | 25 - 7 | R46479 | 1G19 | 16 | 25 - 93 |
| R32027 | 3F24 | 18 | 40 - 105 | R42340 | 2C2 | 7 | 26 - 5 | R46479 | 2D11 | 13 | 26 - 43 |
| R32027 | 3G1 | 1 | 40 - 107 | R42365 | 1D11 | 17 | 25 - 5 | R46479 | 2F8 | 17 | 26 - 87 |
| R32028 | 3F24 | 19 | 40 - 105 | R42365 | 1D13 | 17 | 25 - 7 | R46701 | 4E14 | 5 | 50 - 68 |
| R32029 | 3F24 | 20 | 40 - 105 | R42365 | 2C2 | 14 | 26 - 5 | R46701 | 4G12 | 5 | 60 - 1 |
| R32176 | 3F12 | 11 | 40 - 93 | R42693 | 1G19 | 12 | 25 - 93 | R46701 | 5G13 | 5 | 70 - 120 |
| R32214 | 4D24 | 13 | 50 - 53 | R42729 | 1C10 | 2 | 20 - 17 | R47074 | 1E2 | 1 | 25 - 21 |
| R32214 | 4E11 | 4 | 50 - 65 | R42729 | 1E19 | 5 | 25 - 39 | R47074 | 2C15 | 1 | 26 - 18 |
| R32239 | 5B22 | 12 | 70 - 3 | R42729 | 1G2 | 11 | 25 - 73 | R47153 | 1F4 | 4 | 25 - 49 |
| R32511 | 1G2 | 12 | 25 - 73 | R42729 | 1G4 | 10 | 25 - 75 | R47153 | 1F5 | 10 | 25 - 50 |
| R32511 | 1G6 | 8 | 25 - 77 | R42729 | 1G6 | 7 | 25 - 77 | R47153 | 1F7 | 17 | 25 - 52 |
| R33022 | 4E17 | 14 | 50 - 71 | R42729 | 2E2 | 15 | 26 - 59 | R47153 | 1F8 | 16 | 25 - 53 |
| R33029 | 4E17 | 11 | 50 - 71 | R42729 | 2E8 | 16 | 26 - 63 | R47153 | 1G19 | 19 | 25 - 93 |
| R33058 | 6F23 | 8 | 110 - 5 | R42729 | 8F4 | 5 | 121 - 83 | R47160 | 1F10 | 10 | 25 - 55 |
| R33079 | 6F23 | 3 | 110 - 5 | R42926 | 4E14 | 1 | 50 - 68 | R47160 | 2D20 | 1 | 26 - 53 |
| R33088 | 6F23 | 5 | 110 - 5 | R42926 | 4G12 | 1 | 60 - 1 | R47160 | 2F24 | 6 | 30 - 9 |
| R33138 | 4C10 | .. | 50 - 15 | R42926 | 5G13 | 1 | 70 - 120 | R47160 | 2G2 | 6 | 30 - 11 |
| R33138 | 4C18 | 2A | 50 - 23 | R43305 | 8B21 | 6 | 121 - 3 | R47449 | 5G8 | 26 | 70 - 115 |
| R33138 | 4C18 | 12 | 50 - 23 | R43369 | 1E3 | 1 | 25 - 22 | R47460 | 3E18 | 5 | 40 - 75 |
| R33138 | 5G8 | 1 | 70 - 115 | R43383 | 7E10 | 16 | 120 - 65 | R47460 | 3E22 | 11 | 40 - 79 |
| R33259 | 6E23 | 2 | 90 - 81 | R43383 | 7E18 | 21 | 120 - 71 | R47693 | 1C12 | 5 | 20 - 19 |
| R33259 | 6E25 | 19 | 90 - 83 | R43416 | 1F13 | 15 | 25 - 59 | R47693 | 2D12 | 4 | 26 - 44 |
| R33521 | 5G8 | 33 | 70 - 115 | R43416 | 1G19 | 6 | 25 - 93 | R47998 | 4H12 | 37 | 60 - 25 |
| R34337 | 3C25 | 8 | 40 - 33 | R43548 | 1E23 | 21 | 25 - 43 | R47998 | 6E15 | 37 | 90 - 73 |
| R34337 | 3D2 | 14 | 40 - 35 | R43621 | 1D11 | 15 | 25 - 5 | R48693 | 1F19 | 37 | 25 - 65 |
| R34404 | 4D7 | 17 | 50 - 36 | R43621 | 1D13 | 15 | 25 - 7 | R48693 | 1G2 | 4 | 25 - 73 |
| R34404 | 4D8 | 17 | 50 - 37 | R43621 | 2C2 | 12 | 26 - 5 | R48693 | 2E2 | 7 | 26 - 59 |
| R34404 | 7D8 | 7 | 120 - 39 | R43660 | 1E23 | 1 | 25 - 43 | R48693 | 2E4 | 7 | 26 - 61 |
| R35352 | 4C16 | 6 | 50 - 21 | R43660 | 2D5 | 12 | 26 - 35 | R48693 | 2E6 | 7 | 26 - 61B |
| R35542 | 8E16 | 6 | 121 - 71 | R43774 | 1E23 | 20 | 25 - 43 | R48693 | 2E10 | 7 | 26 - 65 |
| R35542 | 8E18 | 4 | 121 - 73 | R43774 | 1G19 | 29 | 25 - 93 | R48693 | 2E12 | 7 | 26 - 65B |
| R35542 | 9D21 | 3 | 130 - 53 | R44302 | 1G22 | 9 | 25 - 96 | R48887 | 3E18 | 10 | 40 - 75 |
| R35643 | 6F23 | 17 | 110 - 5 | R44302 | 1H1 | 7 | 25 - 101 | R48887 | 3F20 | 17 | 40 - 101 |
| R35794 | 4H10 | 16 | 60 - 23 | R44302 | 2F10 | 9 | 26 - 89 | R49377 | 1E24 | 1 | 25 - 45 |
| R36119 | 1B20 | 17 | 20 - 3 | R44302 | 2F13 | 7 | 26 - 92 | R49377 | 1G19 | 34 | 25 - 93 |
| R375R | 5D22 | 4 | 70 - 52 | R44302 | 3C6 | .. | 40 - 11 | R49377 | 2D6 | 1 | 26 - 36 |
| R38131 | 8D2 | 36 | 121 - 33 | R44302 | 3E6 | 11 | 40 - 63 | R49377 | 2F8 | 32 | 26 - 87 |
| R39081 | 6F23 | 16 | 110 - 5 | R44302 | 3E8 | 34 | 40 - 65 | R49464 | 1E20 | 4 | 25 - 40 |
| R39112 | 4E9 | 13 | 50 - 63 | R44302 | 3H2 | 5 | 40 - 133 | R49464 | 1E21 | 4 | 25 - 41 |
| R39112 | 4G18 | 12 | 60 - 7 | R44302 | 5D6 | 12 | 70 - 35 | R49464 | 1E23 | 10 | 25 - 43 |
| R39112 | 5G12 | 8 | 70 - 119 | R44302 | 5D15 | 20 | 70 - 45 | R49465 | 1E20 | 8 | 25 - 40 |
| R39305 | 1F2 | 1 | 25 - 47 | R44302 | 5D17 | 13 | 70 - 47 | R49465 | 1E23 | 14 | 25 - 43 |
| R394R | 4C20 | 7 | 50 - 25 | R44302 | 7F6 | 9 | 120 - 83 | R495R | 4C20 | 17 | 50 - 25 |
| R394R | 4C20 | 17 | 50 - 25 | R44302 | 7F8 | 8 | 120 - 85 | R495R | 6G15 | 3 | 110 - 23 |
| R39503 | 1F13 | 9 | 25 - 59 | R44302 | 9D12 | 6 | 130 - 45 | R49672 | 1G15 | 18 | 25 - 89 |
| R39503 | 2D16 | 9 | 26 - 49 | R44342 | 4H12 | 38 | 60 - 25 | R49856 | 6E25 | .. | 90 - 83 |
| R39554 | 4H12 | 3 | 60 - 25 | R44342 | 6E15 | 38 | 90 - 73 | R49856 | 6F3 | .. | 90 - 86 |
| R39554 | 4H12 | 8 | 60 - 25 | R45182 | 4E12 | 3 | 50 - 66 | R49866 | 1E12 | 5 | 25 - 32 |
| R39554 | 6E15 | 3 | 90 - 73 | R45182 | 4E13 | 3 | 50 - 67 | R49866 | 1G19 | 15 | 25 - 93 |
| R39554 | 6E15 | 8 | 90 - 73 | R45186 | 4E14 | 2 | 50 - 68 | R49866 | 2C23 | 5 | 26 - 27 |
| R39741 | 1D11 | 4 | 25 - 5 | R45186 | 4G12 | 2 | 60 - 1 | R49866 | 2F8 | 16 | 26 - 87 |
| R39741 | 1D13 | 4 | 25 - 7 | R45186 | 5G13 | 2 | 70 - 120 | R500055 | 2D5 | 9 | 26 - 35 |
| R39741 | 2C2 | 4 | 26 - 5 | R45187 | 4E14 | 3 | 50 - 68 | R500330 | 2D5 | 7 | 26 - 35 |
| R39825 | 2G4 | 21 | 30 - 13 | R45187 | 4G12 | 3 | 60 - 1 | R501414 | 1E3 | 4 | 25 - 22 |
| R39825 | 2G6 | 18 | 30 - 15 | R45187 | 5G13 | 3 | 70 - 120 | R501414 | 2C16 | 4 | 26 - 19 |
| R39832 | 1G2 | 19 | 25 - 73 | R45440 | 1G22 | 7 | 25 - 96 | R50354 | 1E4 | 7 | 25 - 24 |
| R39876 | 4E5 | 2 | 50 - 58 | R45440 | 1H1 | 6 | 25 - 101 | R50354 | 1E5 | 7 | 25 - 25 |
| R40236 | 1E20 | 1 | 25 - 40 | R45440 | 1H1 | 8 | 25 - 101 | R50386 | 1E20 | 10 | 25 - 40 |
| R40236 | 1E21 | 1 | 25 - 41 | R45638 | 4E14 | 4 | 50 - 68 | R50386 | 1E21 | 9 | 25 - 41 |
| R40915 | 7D8 | 6 | 120 - 39 | R45638 | 4G12 | 4 | 60 - 1 | R50390 | 1E4 | 4 | 25 - 24 |

NUMERICAL INDEX - CONTINUED

| PART NO. | GRID | KEY | PAGE | PART NO. | GRID | KEY | PAGE | PART NO. | GRID | KEY | PAGE |
|----------|------|-----|--------|----------|------|-----|--------|----------|------|-----|--------|
| R50390 | 1E5 | 4 | 25-25 | R51603 | 1G11 | 2 | 25-83 | R53899 | 1G15 | 6 | 25-89 |
| R50390 | 1G19 | 23 | 25-93 | R51603 | 2E19 | 2 | 26-72 | R53899 | 1G19 | 31 | 25-93 |
| R50393 | 1E4 | 3 | 25-24 | R51603 | 2F8 | 14 | 26-87 | R53899 | 2E2 | .. | 26-59 |
| R50393 | 1E5 | 3 | 25-25 | R51659 | 1G25 | 7 | 25-100 | R53899 | 2E4 | .. | 26-61 |
| R50405 | 1G19 | 4 | 25-93 | R51660 | 1G25 | 5 | 25-100 | R53899 | 2E6 | .. | 26-61B |
| R50405 | 2F8 | 3 | 26-87 | R51661 | 1H3 | 22 | 25-103 | R53899 | 2E10 | .. | 26-65 |
| R50417 | 1G19 | 39 | 25-93 | R51662 | 1H4 | 17 | 25-104 | R53899 | 2E12 | .. | 26-65B |
| R50419 | 1F5 | 5 | 25-50 | R51664 | 1H2 | 19 | 25-102 | R53899 | 2E13 | 7 | 26-66 |
| R50419 | 1G19 | 41 | 25-93 | R51665 | 1H3 | 16 | 25-103 | R53899 | 2E15 | 9 | 26-68 |
| R50423 | 1F5 | 9 | 25-50 | R51666 | 1H3 | 15 | 25-103 | R53899 | 2F8 | 27 | 26-87 |
| R50424 | 1F5 | 8 | 25-50 | R51667 | 1H3 | 8 | 25-103 | R53901 | 1F17 | 7 | 25-63 |
| R50424 | 1G19 | 40 | 25-93 | R51669 | 1H4 | 14 | 25-104 | R53901 | 1G4 | 2 | 25-75 |
| R50456 | 6B23 | 10 | 90-5 | R51671 | 1H4 | 5 | 25-104 | R53901 | 1G6 | 2 | 25-77 |
| R50456 | 6F13 | 19 | 90-97 | R51936 | 1F7 | 7 | 25-52 | R53901 | 1G9 | 9 | 25-81 |
| R50642 | 9C21 | 19 | 130-29 | R51936 | 1F8 | 7 | 25-53 | R53901 | 1G15 | 6 | 25-89 |
| R50770 | 8D12 | 12 | 121-43 | R51936 | 1F19 | 25 | 25-65 | R53901 | 1G19 | 31 | 25-93 |
| R50875 | 9D8 | 20 | 130-41 | R51936 | 1F19 | 30 | 25-65 | R53901 | 2E8 | 29 | 26-63 |
| R50891 | 1G25 | 13 | 25-100 | R51936 | 1F19 | 32 | 25-65 | R53901 | 2E13 | 9 | 26-66 |
| R50891 | 1H3 | 2 | 25-103 | R51936 | 1F21 | 25 | 25-67 | R53901 | 2E15 | 7 | 26-68 |
| R50892 | 1H3 | 3 | 25-103 | R51936 | 1F23 | 25 | 25-69 | R53901 | 2F8 | 27 | 26-87 |
| R50893 | 1H3 | 12 | 25-103 | R51936 | 1F23 | 30 | 25-69 | R54013 | 1G7 | 5 | 25-79 |
| R50894 | 1H4 | 11 | 25-104 | R51936 | 1F23 | 32 | 25-69 | R54015 | 1G7 | 8 | 25-79 |
| R50897 | 1H3 | 10 | 25-103 | R51936 | 1F25 | 25 | 25-71 | R54021 | 1G7 | 12 | 25-79 |
| R50899 | 1H2 | 11 | 25-102 | R51936 | 2D22 | 21 | 26-55 | R54022 | 1G7 | 4 | 25-79 |
| R50899 | 1H4 | 20 | 25-104 | R51936 | 2D22 | 26 | 26-55 | R54023 | 1G7 | 3 | 25-79 |
| R50900 | 1H3 | 1 | 25-103 | R51936 | 2D24 | 21 | 26-57 | R54024 | 1G7 | 14 | 25-79 |
| R50901 | 1G24 | 4 | 25-99 | R51936 | 2D24 | 26 | 26-57 | R54025 | 1G7 | 2 | 25-79 |
| R50901 | 1H3 | 20 | 25-103 | R51936 | 2E2 | 2 | 26-59 | R54025 | 2E16 | 2 | 26-69 |
| R50901 | 2F12 | 4 | 26-91 | R51936 | 2E4 | 2 | 26-61 | R54025 | 2E18 | 2 | 26-71 |
| R50902 | 1G24 | 2 | 25-99 | R51936 | 2E6 | 2 | 26-61B | R54123 | 1C12 | 4 | 20-19 |
| R50902 | 1H3 | 5 | 25-103 | R51936 | 2E6 | 26 | 26-61B | R54123 | 2D12 | 7 | 26-44 |
| R50902 | 2F12 | 2 | 26-91 | R51936 | 2E8 | 3 | 26-63 | R54380 | 4C16 | 8 | 50-21 |
| R50903 | 1H3 | 6 | 25-103 | R51936 | 2E10 | 2 | 26-65 | R54380 | 4E19 | 27 | 50-73 |
| R50905 | 1H3 | 23 | 25-103 | R51936 | 2E12 | 2 | 26-65B | R54445 | 3D4 | 6 | 40-37 |
| R50906 | 1H3 | 18 | 25-103 | R51936 | 2E12 | 26 | 26-65B | R54445 | 3D4 | 18 | 40-37 |
| R50907 | 1H2 | 5 | 25-102 | R51937 | 1F19 | 20 | 25-65 | R54447 | 3D4 | 3 | 40-37 |
| R50909 | 1H2 | 12 | 25-102 | R51937 | 1F21 | 20 | 25-67 | R54510 | 1C12 | 2 | 20-19 |
| R50910 | 1H4 | 21 | 25-104 | R51937 | 1F23 | 20 | 25-69 | R54510 | 2D12 | 2 | 26-44 |
| R50912 | 1G25 | 8 | 25-100 | R51937 | 1F25 | 20 | 25-71 | R54511 | 1C12 | 3 | 20-19 |
| R50913 | 1H2 | 2 | 25-102 | R51937 | 2D22 | 19 | 26-55 | R54511 | 2D12 | 3 | 26-44 |
| R50914 | 1H2 | 7 | 25-102 | R51937 | 2D22 | 32 | 26-55 | R54565 | 1E9 | 1 | 25-29 |
| R50915 | 1H2 | 8 | 25-102 | R51937 | 2D24 | 19 | 26-57 | R54565 | 2C22 | 1 | 26-26 |
| R50916 | 1H2 | 3 | 25-102 | R51937 | 2D24 | 32 | 26-57 | R54856 | 2F14 | 6 | 26-93 |
| R50917 | 1H2 | 10 | 25-102 | R52015 | 4C17 | 3 | 50-22 | R55182 | 1E11 | 22 | 25-31 |
| R50918 | 1H2 | 14 | 25-102 | R52049 | 1G19 | 32 | 25-93 | R55182 | 1G19 | 17 | 25-93 |
| R50919 | 1H2 | 15 | 25-102 | R52387 | 1H3 | 11 | 25-103 | R55233 | 1E23 | 6 | 25-43 |
| R50920 | 1H2 | 9 | 25-102 | R53014 | 2C2 | 21 | 26-5 | R55326 | 7E6 | 13 | 120-61 |
| R50921 | 1H2 | 18 | 25-102 | R53014 | 3E6 | 15 | 40-63 | R55395 | 1D11 | 7 | 25-5 |
| R50922 | 1H2 | 16 | 25-102 | R53108 | 1G19 | 38 | 25-93 | R55395 | 1D13 | 7 | 25-7 |
| R50923 | 1G25 | 1 | 25-100 | R53108 | 1G21 | 6 | 25-95 | R55395 | 1E23 | 19 | 25-43 |
| R50924 | 1G25 | 2 | 25-100 | R53108 | 1G22 | 1 | 25-96 | R55396 | 1D11 | 2 | 25-5 |
| R50925 | 1G25 | 3 | 25-100 | R53108 | 2F8 | 36 | 26-87 | R55396 | 1D13 | 2 | 25-7 |
| R50927 | 1G25 | 14 | 25-100 | R53108 | 2F10 | 1 | 26-89 | R55396 | 1G2 | 10 | 25-73 |
| R50928 | 1G25 | 17 | 25-100 | R53169 | 8C6 | 14 | 121-13 | R55396 | 1G4 | 9 | 25-75 |
| R50929 | 1G25 | 15 | 25-100 | R53201 | 1D15 | 1 | 25-9 | R55396 | 1G6 | 6 | 25-77 |
| R50930 | 1G25 | 12 | 25-100 | R53292 | 1D23 | 5 | 25-17 | R55396 | 1G21 | 1 | 25-95 |
| R50931 | 1G25 | 9 | 25-100 | R53292 | 2C12 | 5 | 26-15 | R55396 | 1G22 | 2 | 25-96 |
| R50931 | 1H2 | 20 | 25-102 | R53543 | 4D6 | 28 | 50-35 | R55396 | 2C2 | 2 | 26-5 |
| R51031 | 4D6 | 33 | 50-35 | R53543 | 4D6 | 30 | 50-35 | R55396 | 2E2 | 14 | 26-59 |
| R51031 | 4D13 | 17 | 50-42 | R53665 | 6D11 | 21 | 90-43 | R55396 | 2E4 | 14 | 26-61 |
| R51031 | 4D16 | 17 | 50-45 | R53665 | 6E12 | 17 | 90-69 | R55396 | 2E6 | 14 | 26-61B |
| R51031 | 4D20 | 33 | 50-49 | R53884 | 1F17 | 3 | 25-63 | R55396 | 2E8 | 15 | 26-63 |
| R51031 | 4E5 | 11 | 50-58 | R53884 | 1G9 | 3 | 25-81 | R55396 | 2E10 | 14 | 26-65 |
| R51031 | 4E12 | 10 | 50-66 | R53884 | 2E13 | 3 | 26-66 | R55396 | 2E12 | 14 | 26-65B |
| R51031 | 4E13 | 10 | 50-67 | R53884 | 2E15 | 3 | 26-68 | R55396 | 2F10 | 2 | 26-89 |
| R51053 | 1F5 | 11 | 25-50 | R53899 | 1F17 | 9 | 25-63 | R55408 | 1B20 | 32 | 20-3 |
| R51283 | 1F5 | 4 | 25-50 | R53899 | 1G9 | 7 | 25-81 | R56722 | 8D22 | 27 | 121-53 |

NUMERICAL INDEX - CONTINUED

| PART NO. | GRID | KEY | PAGE | PART NO. | GRID | KEY | PAGE | PART NO. | GRID | KEY | PAGE |
|----------|------|-----|----------|----------|------|-----|---------|----------|------|-----|----------|
| R56782 | 5G8 | 6 | 70 - 115 | R59297 | 1F21 | 11 | 25 - 67 | R60488 | 2C12 | 7 | 26 - 15 |
| R56792 | 1H4 | 2 | 25 - 104 | R59297 | 1F23 | 8 | 25 - 69 | R60730 | 4G20 | 15 | 60 - 9 |
| R56793 | 1H4 | 3 | 25 - 104 | R59297 | 1F23 | 9 | 25 - 69 | R60730 | 6C14 | 21 | 90 - 21 |
| R56802 | 1H2 | 13 | 25 - 102 | R59297 | 1F23 | 11 | 25 - 69 | R60730 | 6C16 | 8 | 90 - 23 |
| R56930 | 5F10 | 17 | 70 - 93 | R59297 | 1F25 | 8 | 25 - 71 | R61033 | 4E17 | 15 | 50 - 71 |
| R56930 | 5F12 | 19 | 70 - 95 | R59297 | 1F25 | 11 | 25 - 71 | R61144 | 1F19 | 5 | 25 - 65 |
| R56930 | 5F14 | 21 | 70 - 97 | R59297 | 2D22 | 8 | 26 - 55 | R61144 | 1F19 | 10 | 25 - 65 |
| R56930 | 5F20 | 5 | 70 - 103 | R59297 | 2D22 | 10 | 26 - 55 | R61144 | 1F21 | 6 | 25 - 67 |
| R57003 | 8F2 | .. | 121 - 81 | R59297 | 2D24 | 8 | 26 - 57 | R61144 | 1F21 | 10 | 25 - 67 |
| R57158 | 1D11 | 19 | 25 - 5 | R59297 | 2D24 | 10 | 26 - 57 | R61144 | 1F23 | 5 | 25 - 69 |
| R57158 | 1D13 | 19 | 25 - 7 | R59298 | 1F19 | 8 | 25 - 65 | R61144 | 1F23 | 10 | 25 - 69 |
| R57158 | 2C2 | 16 | 26 - 5 | R59298 | 1F19 | 9 | 25 - 65 | R61144 | 1F25 | 6 | 25 - 71 |
| R57159 | 1D11 | 19 | 25 - 5 | R59298 | 1F19 | 11 | 25 - 65 | R61144 | 1F25 | 10 | 25 - 71 |
| R57159 | 1D13 | 19 | 25 - 7 | R59298 | 1F21 | 8 | 25 - 67 | R61144 | 2D22 | 5 | 26 - 55 |
| R57159 | 2C2 | 16 | 26 - 5 | R59298 | 1F21 | 9 | 25 - 67 | R61144 | 2D22 | 9 | 26 - 55 |
| R57269 | 4D24 | 7 | 50 - 53 | R59298 | 1F23 | 8 | 25 - 69 | R61144 | 2D24 | 5 | 26 - 57 |
| R57583 | 1D23 | 7 | 25 - 17 | R59298 | 1F23 | 9 | 25 - 69 | R61144 | 2D24 | 9 | 26 - 57 |
| R57583 | 2C12 | 7 | 26 - 15 | R59298 | 1F23 | 11 | 25 - 69 | R61145 | 1F19 | 8 | 25 - 65 |
| R57584 | 1E1 | 3 | 25 - 20 | R59298 | 1F25 | 8 | 25 - 71 | R61145 | 1F19 | 9 | 25 - 65 |
| R57584 | 2C14 | 3 | 26 - 17 | R59298 | 1F25 | 9 | 25 - 71 | R61145 | 1F21 | 9 | 25 - 67 |
| R57696 | 1E15 | 5 | 25 - 35 | R59298 | 2D22 | 8 | 26 - 55 | R61145 | 1F23 | 8 | 25 - 69 |
| R57696 | 1E17 | 5 | 25 - 37 | R59298 | 2D22 | 10 | 26 - 55 | R61145 | 1F23 | 9 | 25 - 69 |
| R57696 | 1F7 | 18 | 25 - 52 | R59298 | 2D24 | 8 | 26 - 57 | R61145 | 1F25 | 9 | 25 - 71 |
| R57696 | 1F8 | 18 | 25 - 53 | R59298 | 2D24 | 10 | 26 - 57 | R61145 | 2D22 | 8 | 26 - 55 |
| R57696 | 2D2 | 5 | 26 - 31 | R59305 | 1F19 | 5 | 25 - 65 | R61145 | 2D24 | 8 | 26 - 57 |
| R57696 | 2D11 | 19 | 26 - 43 | R59305 | 1F19 | 10 | 25 - 65 | R61288 | 1D11 | 22 | 25 - 5 |
| R57725 | 1C10 | 1 | 20 - 17 | R59305 | 1F21 | 6 | 25 - 67 | R61288 | 1D13 | 22 | 25 - 7 |
| R57771 | 1D21 | 1 | 25 - 15 | R59305 | 1F21 | 10 | 25 - 67 | R61288 | 2C2 | 19 | 26 - 5 |
| R57771 | 1D23 | 2 | 25 - 17 | R59305 | 1F23 | 5 | 25 - 69 | R61289 | 1E1 | 3 | 25 - 20 |
| R57771 | 2C10 | 1 | 26 - 13 | R59305 | 1F23 | 10 | 25 - 69 | R61289 | 2C14 | 3 | 26 - 17 |
| R57771 | 2C12 | 2 | 26 - 15 | R59305 | 1F25 | 6 | 25 - 71 | R61461 | 4E17 | 22 | 50 - 71 |
| R58109 | 1F16 | 2 | 25 - 62 | R59305 | 1F25 | 10 | 25 - 71 | R61497 | 1E13 | 1 | 25 - 33 |
| R58109 | 2D19 | 2 | 26 - 52 | R59305 | 2D22 | 5 | 26 - 55 | R61497 | 2C24 | 1 | 26 - 28 |
| R58186 | 1F19 | 5 | 25 - 65 | R59305 | 2D22 | 9 | 26 - 55 | R61608 | 1E1 | 3 | 25 - 20 |
| R58186 | 1F19 | 10 | 25 - 65 | R59305 | 2D24 | 5 | 26 - 57 | R61608 | 2C14 | 3 | 26 - 17 |
| R58186 | 1F21 | 6 | 25 - 67 | R59305 | 2D24 | 9 | 26 - 57 | R61609 | 1E1 | 3 | 25 - 20 |
| R58186 | 1F21 | 10 | 25 - 67 | R59439 | 4E17 | 21 | 50 - 71 | R61609 | 2C14 | 3 | 26 - 17 |
| R58186 | 1F23 | 5 | 25 - 69 | R59440 | 4E17 | 20 | 50 - 71 | R61610 | 1E1 | 3 | 25 - 20 |
| R58186 | 1F23 | 10 | 25 - 69 | R59929 | 4E17 | 16 | 50 - 71 | R61610 | 2C14 | 3 | 26 - 17 |
| R58186 | 1F25 | 6 | 25 - 71 | R59933 | 4E17 | 12 | 50 - 71 | R61611 | 1E1 | 3 | 25 - 20 |
| R58186 | 1F25 | 10 | 25 - 71 | R60170 | 6E23 | 19 | 90 - 81 | R61611 | 2C14 | 3 | 26 - 17 |
| R58186 | 2D22 | 5 | 26 - 55 | R60172 | 6E23 | 18 | 90 - 81 | R61862 | 6E12 | 9 | 90 - 69 |
| R58186 | 2D22 | 9 | 26 - 55 | R60239 | 4E9 | 4 | 50 - 63 | R62192 | 8D16 | 21 | 121 - 47 |
| R58186 | 2D24 | 5 | 26 - 57 | R60272 | 1G11 | 5 | 25 - 83 | R62239 | 1F13 | 5 | 25 - 59 |
| R58186 | 2D24 | 9 | 26 - 57 | R60272 | 2E19 | 5 | 26 - 72 | R62356 | 5G23 | 7 | 80 - 9 |
| R58806 | 6C25 | 3 | 90 - 32 | R60277 | 1G11 | 1 | 25 - 83 | R62418 | 1E11 | 7 | 25 - 31 |
| R58816 | 6E12 | 6 | 90 - 69 | R60277 | 2E19 | 1 | 26 - 72 | R62419 | 1E11 | 6 | 25 - 31 |
| R59009 | 6D11 | 11 | 90 - 43 | R60278 | 1G11 | 4 | 25 - 83 | R62419 | 1E11 | 8 | 25 - 31 |
| R59010 | 6D11 | 13 | 90 - 43 | R60278 | 2E19 | 4 | 26 - 72 | R62420 | 1E11 | 5 | 25 - 31 |
| R59011 | 6D11 | 16 | 90 - 43 | R60279 | 1G11 | 3 | 25 - 83 | R62420 | 1E11 | 8 | 25 - 31 |
| R59012 | 6D11 | 12 | 90 - 43 | R60279 | 2E19 | 3 | 26 - 72 | R62502 | 6F21 | 34 | 110 - 3 |
| R59013 | 6E12 | 14 | 90 - 69 | R60458 | 6D11 | 9 | 90 - 43 | R62502 | 6H20 | 14 | 110 - 53 |
| R59015 | 6D11 | 5 | 90 - 43 | R60472 | 1E1 | 3 | 25 - 20 | R62930 | 1D11 | 16 | 25 - 5 |
| R59015 | 6E12 | 12 | 90 - 69 | R60472 | 2C14 | 3 | 26 - 17 | R62930 | 1D13 | 16 | 25 - 7 |
| R59018 | 6D11 | 14 | 90 - 43 | R60473 | 1E1 | 3 | 25 - 20 | R62930 | 1E15 | 1 | 25 - 35 |
| R59019 | 6D11 | 2 | 90 - 43 | R60473 | 2C14 | 3 | 26 - 17 | R62930 | 1E17 | 1 | 25 - 37 |
| R59020 | 6E12 | 10 | 90 - 69 | R60474 | 1E1 | 3 | 25 - 20 | R62930 | 2C2 | 13 | 26 - 5 |
| R59021 | 6E12 | 7 | 90 - 69 | R60474 | 2C14 | 3 | 26 - 17 | R62930 | 2D2 | 1 | 26 - 31 |
| R59022 | 6E12 | 13 | 90 - 69 | R60475 | 1E1 | 3 | 25 - 20 | R62938 | 1E15 | 2 | 25 - 35 |
| R59023 | 6E12 | 8 | 90 - 69 | R60475 | 2C14 | 3 | 26 - 17 | R62938 | 1E17 | 2 | 25 - 37 |
| R59028 | 6E12 | 2 | 90 - 69 | R60485 | 1D23 | 7 | 25 - 17 | R62938 | 2D2 | 2 | 26 - 31 |
| R59029 | 6E12 | 4 | 90 - 69 | R60485 | 2C12 | 7 | 26 - 15 | R62946 | 1E15 | 12 | 25 - 35 |
| R59070 | 6E12 | 1 | 90 - 69 | R60486 | 1D23 | 7 | 25 - 17 | R62946 | 1E17 | 12 | 25 - 37 |
| R59297 | 1F19 | 8 | 25 - 65 | R60486 | 2C12 | 7 | 26 - 15 | R62952 | 1E15 | 16 | 25 - 35 |
| R59297 | 1F19 | 9 | 25 - 65 | R60487 | 1D23 | 7 | 25 - 17 | R62952 | 1E17 | 16 | 25 - 37 |
| R59297 | 1F19 | 11 | 25 - 65 | R60487 | 2C12 | 7 | 26 - 15 | R62952 | 1E20 | 11 | 25 - 40 |
| R59297 | 1F21 | 8 | 25 - 67 | R60488 | 1D23 | 7 | 25 - 17 | R62952 | 1E21 | 10 | 25 - 41 |

NUMERICAL INDEX - CONTINUED

| PART NO. | GRID | KEY | PAGE | PART NO. | GRID | KEY | PAGE | PART NO. | GRID | KEY | PAGE |
|----------|------|-----|--------|----------|------|-----|--------|----------|------|-----|--------|
| R62986 | 1E1 | 1 | 25-20 | R63845 | 2E12 | 12 | 26-65B | R67092 | 1G15 | 4 | 25-89 |
| R62986 | 2C14 | 1 | 26-17 | R63980 | 5G8 | 5 | 70-115 | R67092 | 1G15 | 19 | 25-89 |
| R62987 | 1E1 | 2 | 25-20 | R64056 | 3D4 | 13 | 40-37 | R67092 | 2F2 | 5 | 26-81 |
| R62987 | 2C14 | 2 | 26-17 | R64058 | 3D4 | 16 | 40-37 | R67092 | 2F4 | 5 | 26-83 |
| R62988 | 1E1 | 2 | 25-20 | R64059 | 3D4 | 12 | 40-37 | R67230 | 1H5 | 6 | 25-105 |
| R62988 | 2C14 | 2 | 26-17 | R64060 | 3D4 | 10 | 40-37 | R67230 | 3E4 | 9 | 40-61 |
| R63002 | 1E1 | 2 | 25-20 | R64061 | 3D4 | 4 | 40-37 | R67264 | 1G2 | 14 | 25-73 |
| R63002 | 2C14 | 2 | 26-17 | R64698 | 4E14 | 10 | 50-68 | R67264 | 1G4 | 13 | 25-75 |
| R63003 | 1E1 | 2 | 25-20 | R64698 | 4G12 | 10 | 60-1 | R67264 | 1G6 | 11 | 25-77 |
| R63003 | 2C14 | 2 | 26-17 | R64698 | 5G13 | 10 | 70-120 | R67264 | 2E2 | 20 | 26-59 |
| R63004 | 1E1 | 2 | 25-20 | R64853 | 1G8 | 17 | 25-80 | R67264 | 2E4 | 20 | 26-61 |
| R63004 | 2C14 | 2 | 26-17 | R64854 | 1G8 | 2 | 25-80 | R67264 | 2E6 | 20 | 26-61B |
| R63005 | 1E1 | 2 | 25-20 | R64854 | 2E17 | 2 | 26-70 | R67264 | 2E8 | 20 | 26-63 |
| R63005 | 2C14 | 2 | 26-17 | R64855 | 1G8 | 3 | 25-80 | R67264 | 2E10 | 20 | 26-65 |
| R63006 | 1E1 | 2 | 25-20 | R64856 | 1G8 | 4 | 25-80 | R67264 | 2E12 | 20 | 26-65B |
| R63006 | 2C14 | 2 | 26-17 | R64857 | 1G10 | 2 | 25-82 | R67362 | 1H6 | 3 | 25-106 |
| R63007 | 1E1 | 2 | 25-20 | R64857 | 2E14 | 2 | 26-67 | R67363 | 5I8 | 18 | 80-43 |
| R63007 | 2C14 | 2 | 26-17 | R64860 | 1G8 | 7 | 25-80 | R67364 | 1F7 | 9 | 25-52 |
| R63008 | 1E1 | 2 | 25-20 | R64861 | 1G7 | 7 | 25-79 | R67364 | 1F8 | 9 | 25-53 |
| R63008 | 2C14 | 2 | 26-17 | R64861 | 1G8 | 8 | 25-80 | R67364 | 1F17 | 11 | 25-63 |
| R63009 | 1E1 | 2 | 25-20 | R64871 | 1G8 | 15 | 25-80 | R67364 | 1F19 | 36 | 25-65 |
| R63009 | 2C14 | 2 | 26-17 | R64926 | 1G10 | 8 | 25-82 | R67364 | 1F23 | 35 | 25-69 |
| R63010 | 1E1 | 1 | 25-20 | R64927 | 1G8 | 16 | 25-80 | R67364 | 1F23 | 40 | 25-69 |
| R63010 | 2C14 | 1 | 26-17 | R64927 | 1G10 | 10 | 25-82 | R67364 | 1G9 | 11 | 25-81 |
| R63016 | 1F17 | 10 | 25-63 | R64927 | 2E17 | 6 | 26-70 | R67364 | 2E2 | 9 | 26-59 |
| R63016 | 1G9 | 10 | 25-81 | R65055 | 1E20 | 3 | 25-40 | R67364 | 2E4 | 9 | 26-61 |
| R63016 | 2E13 | 10 | 26-66 | R65055 | 1E21 | 3 | 25-41 | R67364 | 2E6 | 9 | 26-61B |
| R63016 | 2E15 | 10 | 26-68 | R65055 | 1G19 | 36 | 25-93 | R67364 | 2E8 | 8 | 26-63 |
| R63308 | 4D4 | 10 | 50-33 | R65286 | 4D10 | 24 | 50-39 | R67364 | 2E10 | 9 | 26-65 |
| R63308 | 4D18 | 10 | 50-47 | R65499 | 4E17 | 17 | 50-71 | R67364 | 2E12 | 9 | 26-65B |
| R63308 | 4G5 | 2 | 50-109 | R65553 | 1E9 | 3 | 25-29 | R67364 | 2E13 | 11 | 26-66 |
| R63308 | 4G7 | 2 | 50-111 | R65553 | 2C22 | 3 | 26-26 | R67364 | 2E15 | 11 | 26-68 |
| R63326 | 1D24 | 2 | 25-18 | R65569 | 6D7 | 2 | 90-39 | R67377 | 3E14 | 10 | 40-71 |
| R63326 | 1D25 | 2 | 25-19 | R65569 | 6F25 | 2 | 110-7 | R67380 | 1G6 | 3 | 25-77 |
| R63326 | 2C13 | 2 | 26-16 | R65593 | 3F24 | 2 | 40-105 | R67879 | 1F17 | 6 | 25-63 |
| R63451 | 1D17 | 1 | 25-11 | R65594 | 3F24 | 9 | 40-105 | R67879 | 1G7 | 11 | 25-79 |
| R63451 | 1D25 | 4 | 25-19 | R65595 | 3F24 | 21 | 40-105 | R67879 | 1G9 | 6 | 25-81 |
| R63451 | 1D25 | 5 | 25-19 | R65596 | 3F24 | 22 | 40-105 | R67879 | 2E13 | 6 | 26-66 |
| R63451 | 1D25 | 6 | 25-19 | R65597 | 3F24 | 23 | 40-105 | R67879 | 2E15 | 6 | 26-68 |
| R63451 | 1G20 | 2 | 25-94 | R65598 | 3F24 | 24 | 40-105 | R67879 | 2E16 | 5 | 26-69 |
| R63604 | 1F7 | 6 | 25-52 | R65599 | 3F24 | 25 | 40-105 | R67879 | 2E18 | 5 | 26-71 |
| R63604 | 1F8 | 6 | 25-53 | R65600 | 3F24 | 26 | 40-105 | R68035 | 1G13 | 1 | 25-85 |
| R63604 | 1F23 | 38 | 25-69 | R65601 | 3F24 | 27 | 40-105 | R68035 | 2E21 | 1 | 26-75 |
| R63604 | 2E6 | 27 | 26-61B | R65602 | 3F22 | 49 | 40-103 | R68035 | 2E24 | 1 | 26-79 |
| R63604 | 2E12 | 27 | 26-65B | R65602 | 3F24 | 28 | 40-105 | R68036 | 1G13 | 4 | 25-85 |
| R63666 | 3C25 | 13 | 40-33 | R65603 | 3F24 | 29 | 40-105 | R68036 | 2E21 | 4 | 26-75 |
| R63666 | 3D2 | 30 | 40-35 | R65604 | 3F24 | 30 | 40-105 | R68036 | 2E24 | 4 | 26-79 |
| R63667 | 3C25 | 14 | 40-33 | R65605 | 3F24 | 31 | 40-105 | R68037 | 1G13 | 4 | 25-85 |
| R63667 | 3D2 | 29 | 40-35 | R65606 | 3F24 | 32 | 40-105 | R68037 | 2E21 | 4 | 26-75 |
| R63668 | 3C25 | 15 | 40-33 | R65607 | 3F22 | 46 | 40-103 | R68037 | 2E24 | 4 | 26-79 |
| R63668 | 3D2 | 28 | 40-35 | R65607 | 3F24 | 33 | 40-105 | R68038 | 1G13 | 4 | 25-85 |
| R63669 | 3C25 | 16 | 40-33 | R65608 | 3F24 | 3 | 40-105 | R68038 | 2E21 | 4 | 26-75 |
| R63669 | 3D2 | 27 | 40-35 | R65609 | 3F24 | 6 | 40-105 | R68038 | 2E24 | 4 | 26-79 |
| R63670 | 3C25 | 34 | 40-33 | R65610 | 3F24 | 7 | 40-105 | R68039 | 1G13 | 4 | 25-85 |
| R63670 | 3C25 | 35 | 40-33 | R66117 | 1H1 | 9 | 25-101 | R68039 | 2E21 | 4 | 26-75 |
| R63670 | 3D2 | 22 | 40-35 | R66197 | 6F23 | 1 | 110-5 | R68039 | 2E24 | 4 | 26-79 |
| R63670 | 3D2 | 23 | 40-35 | R66319 | 3F24 | 1 | 40-105 | R68040 | 1G13 | 4 | 25-85 |
| R63845 | 1F16 | 6 | 25-62 | R66320 | 3F20 | 24 | 40-101 | R68040 | 2E21 | 4 | 26-75 |
| R63845 | 1G2 | 8 | 25-73 | R66320 | 3F24 | 5 | 40-105 | R68040 | 2E24 | 4 | 26-79 |
| R63845 | 1G4 | 7 | 25-75 | R66321 | 3F20 | 24 | 40-101 | R68041 | 1G13 | 4 | 25-85 |
| R63845 | 1G6 | 4 | 25-77 | R66321 | 3F24 | 4 | 40-105 | R68041 | 2E21 | 4 | 26-75 |
| R63845 | 2D19 | 6 | 26-52 | R66452 | 1D21 | 1 | 25-15 | R68041 | 2E24 | 4 | 26-79 |
| R63845 | 2E2 | 12 | 26-59 | R66452 | 1D23 | 4 | 25-17 | R68042 | 1G13 | 4 | 25-85 |
| R63845 | 2E4 | 12 | 26-61 | R66452 | 2C10 | 1 | 26-13 | R68042 | 2E21 | 4 | 26-75 |
| R63845 | 2E6 | 12 | 26-61B | R66452 | 2C12 | 4 | 26-15 | R68042 | 2E24 | 4 | 26-79 |
| R63845 | 2E8 | 13 | 26-63 | R66626 | 6I8 | 7 | 110-63 | R68043 | 1G13 | 4 | 25-85 |
| R63845 | 2E10 | 12 | 26-65 | R66718 | 5G23 | 7 | 80-9 | R68043 | 2E21 | 4 | 26-75 |

NUMERICAL INDEX - CONTINUED

| PART NO. | GRID | KEY | PAGE | PART NO. | GRID | KEY | PAGE | PART NO. | GRID | KEY | PAGE |
|----------|------|-----|--------|----------|------|-----|--------|----------|------|-----|--------|
| R68043 | 2E24 | 4 | 26-79 | R70268 | 1D11 | 18 | 25-5 | R72328 | 2D8 | 3 | 26-39 |
| R68044 | 1G13 | 4 | 25-85 | R70268 | 1D13 | 18 | 25-7 | R72328 | 2D11 | 22 | 26-43 |
| R68044 | 2E21 | 4 | 26-75 | R70268 | 2C2 | 15 | 26-5 | R72328 | 2F8 | 12 | 26-87 |
| R68044 | 2E24 | 4 | 26-79 | R70826 | 1E9 | 6 | 25-29 | R72659 | 4F14 | 9 | 50-93 |
| R68045 | 1G13 | 4 | 25-85 | R70826 | 2C22 | 6 | 26-26 | R72659 | 5F22 | 9 | 70-105 |
| R68045 | 2E21 | 4 | 26-75 | R70964 | 1F2 | 18 | 25-47 | R72659 | 8H4 | 8 | 125-35 |
| R68045 | 2E24 | 4 | 26-79 | R71037 | 1F2 | 19 | 25-47 | R72853 | 1G2 | 25 | 25-73 |
| R68046 | 1G13 | 4 | 25-85 | R71074 | 1D23 | 6 | 25-17 | R72853 | 1G4 | 1 | 25-75 |
| R68046 | 2E21 | 4 | 26-75 | R71074 | 2C12 | 6 | 26-15 | R72853 | 1G6 | 1 | 25-77 |
| R68046 | 2E24 | 4 | 26-79 | R71144 | 4C18 | 7 | 50-23 | R72853 | 2C17 | 12 | 26-20 |
| R68047 | 1G13 | 4 | 25-85 | R71208 | 1E9 | 7 | 25-29 | R72853 | 2D16 | 11 | 26-49 |
| R68047 | 2E21 | 4 | 26-75 | R71208 | 2C22 | 7 | 26-26 | R72853 | 2E2 | 27 | 26-59 |
| R68047 | 2E24 | 4 | 26-79 | R71212 | 1F19 | 9 | 25-65 | R72853 | 2E8 | 10 | 26-63 |
| R68048 | 1G13 | 4 | 25-85 | R71212 | 1F21 | 9 | 25-67 | R73102 | 4E2 | 2 | 50-55 |
| R68048 | 2E21 | 4 | 26-75 | R71212 | 1F23 | 9 | 25-69 | R73102 | 4E9 | 2 | 50-63 |
| R68048 | 2E24 | 4 | 26-79 | R71212 | 1F25 | 9 | 25-71 | R73189 | 3E19 | 3 | 40-76 |
| R68049 | 1G13 | 4 | 25-85 | R71212 | 2D22 | 8 | 26-55 | R73189 | 3E20 | 3 | 40-77 |
| R68049 | 2E21 | 4 | 26-75 | R71212 | 2D24 | 8 | 26-57 | R73189 | 9E17 | 1 | 170-2 |
| R68049 | 2E24 | 4 | 26-79 | R71225 | 1F2 | 10 | 25-47 | R73271 | 1E3 | 4 | 25-22 |
| R68050 | 1G13 | 4 | 25-85 | R71225 | 1F4 | 1 | 25-49 | R73271 | 2C16 | 4 | 26-19 |
| R68050 | 2E21 | 4 | 26-75 | R71226 | 1F2 | 8 | 25-47 | R73290 | 6G7 | 27 | 110-15 |
| R68050 | 2E24 | 4 | 26-79 | R71228 | 1F2 | 17 | 25-47 | R73290 | 6G9 | 27 | 110-17 |
| R68051 | 1G13 | 4 | 25-85 | R71312 | 1G19 | 30 | 25-93 | R73290 | 6G11 | 27 | 110-19 |
| R68051 | 2E21 | 4 | 26-75 | R71314 | 1E4 | 10 | 25-24 | R73384 | 6D7 | 13 | 90-39 |
| R68051 | 2E24 | 4 | 26-79 | R71314 | 1E5 | 10 | 25-25 | R73384 | 6F25 | 13 | 110-7 |
| R68052 | 1G13 | 4 | 25-85 | R71314 | 1G19 | 25 | 25-93 | R73498 | 2G2 | 10 | 30-11 |
| R68052 | 2E21 | 4 | 26-75 | R71315 | 1F2 | 5 | 25-47 | R73817 | 1G10 | 4 | 25-82 |
| R68052 | 2E24 | 4 | 26-79 | R71315 | 1F4 | 5 | 25-49 | R73820 | 1G10 | 6 | 25-82 |
| R68053 | 1G13 | 5 | 25-85 | R71315 | 1G19 | 24 | 25-93 | R73821 | 1G10 | 5 | 25-82 |
| R68053 | 2E24 | 5 | 26-79 | R71316 | 1D25 | 5 | 25-19 | R73858 | 1G2 | 18 | 25-73 |
| R68102 | 4E2 | 4 | 50-55 | R71316 | 1E4 | 8 | 25-24 | R73858 | 1G2 | 21 | 25-73 |
| R68222 | 1H4 | 8 | 25-104 | R71316 | 1E7 | 6 | 25-27 | R73858 | 1G4 | 17 | 25-75 |
| R68224 | 1H4 | 1 | 25-104 | R71351 | 5G23 | 7 | 80-9 | R73858 | 1G6 | 15 | 25-77 |
| R68824 | 8C2 | 11 | 121-9 | R71361 | 1F4 | 10 | 25-49 | R73858 | 2E2 | 18 | 26-59 |
| R69089 | 1G13 | 2 | 25-85 | R71361 | 1F6 | 3 | 25-51 | R73858 | 2E4 | 18 | 26-61 |
| R69089 | 2E21 | 2 | 26-75 | R71398 | 1F19 | 9 | 25-65 | R73858 | 2E6 | 18 | 26-61B |
| R69089 | 2E24 | 2 | 26-79 | R71398 | 1F19 | 10 | 25-65 | R73858 | 2E8 | 23 | 26-63 |
| R69536 | 4E5 | 8 | 50-58 | R71398 | 1F21 | 9 | 25-67 | R73858 | 2E10 | 18 | 26-65 |
| R69536 | 4E9 | 6 | 50-63 | R71398 | 1F21 | 10 | 25-67 | R73858 | 2E12 | 18 | 26-65B |
| R69536 | 4E9 | 16 | 50-63 | R71398 | 1F23 | 9 | 25-69 | R73864 | 1G10 | 7 | 25-82 |
| R69927 | 4E7 | 1 | 50-61 | R71398 | 1F23 | 10 | 25-69 | R73864 | 2E14 | 5 | 26-67 |
| R69936 | 1F16 | 3 | 25-62 | R71398 | 1F25 | 9 | 25-71 | R73869 | 1G8 | 14 | 25-80 |
| R69936 | 2D19 | 3 | 26-52 | R71398 | 1F25 | 10 | 25-71 | R73870 | 1G8 | 13 | 25-80 |
| R70112 | 4C24 | 15 | 50-29 | R71398 | 2D22 | 8 | 26-55 | R73871 | 1G8 | 12 | 25-80 |
| R70113 | 4C24 | 17 | 50-29 | R71398 | 2D22 | 9 | 26-55 | R73872 | 1G8 | 11 | 25-80 |
| R70114 | 4C24 | 18 | 50-29 | R71398 | 2D24 | 8 | 26-57 | R73913 | 1E23 | 3 | 25-43 |
| R70115 | 4C24 | 19 | 50-29 | R71398 | 2D24 | 9 | 26-57 | R74008 | 1D21 | 1 | 25-15 |
| R70135 | 1G7 | 1 | 25-79 | R71583 | 1D11 | 10 | 25-5 | R74008 | 1D23 | 3 | 25-17 |
| R70210 | 3F22 | 40 | 40-103 | R71583 | 1F2 | 6 | 25-47 | R74008 | 2C10 | 1 | 26-13 |
| R70210 | 3F22 | 41 | 40-103 | R71596 | 1F2 | 9 | 25-47 | R74008 | 2C12 | 3 | 26-15 |
| R70211 | 3F22 | 40 | 40-103 | R71596 | 1F4 | 2 | 25-49 | R74030 | 1F19 | 10 | 25-65 |
| R70211 | 3F22 | 41 | 40-103 | R71711 | 4E2 | 7 | 50-55 | R74030 | 1F21 | 10 | 25-67 |
| R70212 | 3F22 | 40 | 40-103 | R71732 | 1E15 | 10 | 25-35 | R74030 | 1F23 | 10 | 25-69 |
| R70212 | 3F22 | 41 | 40-103 | R71732 | 1E15 | 15 | 25-35 | R74030 | 1F25 | 10 | 25-71 |
| R70213 | 3F22 | 40 | 40-103 | R71732 | 1E17 | 10 | 25-37 | R74030 | 2D22 | 9 | 26-55 |
| R70214 | 3F22 | 40 | 40-103 | R71732 | 1E17 | 15 | 25-37 | R74030 | 2D24 | 9 | 26-57 |
| R70214 | 3F22 | 41 | 40-103 | R71732 | 1E19 | 7 | 25-39 | R74689 | 4E4 | 4 | 50-57 |
| R70215 | 3F22 | 40 | 40-103 | R71732 | 1E20 | 9 | 25-40 | R74690 | 4E4 | 2 | 50-57 |
| R70216 | 3F22 | 40 | 40-103 | R71732 | 1E21 | 8 | 25-41 | R74693 | 4E4 | 6 | 50-57 |
| R70216 | 3F22 | 41 | 40-103 | R71732 | 1G19 | 35 | 25-93 | R74694 | 4E4 | 7 | 50-57 |
| R70217 | 3F22 | 40 | 40-103 | R71756 | 8D2 | 10 | 121-33 | R74696 | 4E4 | 3 | 50-57 |
| R70218 | 3F22 | 40 | 40-103 | R71758 | 8D2 | 6 | 121-33 | R74697 | 4E4 | 5 | 50-57 |
| R70218 | 3F22 | 41 | 40-103 | R71918 | 1G19 | 33 | 25-93 | R74804 | 1F19 | 10 | 25-65 |
| R70219 | 3F22 | 40 | 40-103 | R71918 | 2F8 | 31 | 26-87 | R74804 | 1F21 | 10 | 25-67 |
| R70220 | 3F22 | 50 | 40-103 | R72032 | 8C6 | 9 | 121-13 | R74804 | 1F23 | 10 | 25-69 |
| R70221 | 3F22 | 39 | 40-103 | R72169 | 4E17 | 23 | 50-71 | R74804 | 1F25 | 10 | 25-71 |
| R70222 | 3F22 | 38 | 40-103 | R72328 | 1G19 | 11 | 25-93 | R74804 | 2D22 | 9 | 26-55 |

NUMERICAL INDEX - CONTINUED

| PART NO. | GRID | KEY | PAGE | PART NO. | GRID | KEY | PAGE | PART NO. | GRID | KEY | PAGE |
|----------|------|-----|----------|----------|------|-----|----------|----------|------|-----|----------|
| R74804 | 2D24 | 9 | 26 - 57 | R77463 | 3D18 | 13 | 40 - 51 | R77494 | 3F22 | 55 | 40 - 103 |
| R75272 | 1G7 | 6 | 25 - 79 | R77463 | 3F20 | 30 | 40 - 101 | R77494 | 3G5 | 4 | 40 - 111 |
| R76126 | 1E11 | 8 | 25 - 31 | R77463 | 3G5 | 3 | 40 - 111 | R77495 | 3F22 | 52 | 40 - 103 |
| R76139 | 1H4 | 16 | 25 - 104 | R77464 | 3B23 | 13 | 40 - 3 | R77496 | 3F22 | 52 | 40 - 103 |
| R76337 | 3E6 | 13 | 40 - 63 | R77464 | 3B23 | 16 | 40 - 3 | R77497 | 3F22 | 53 | 40 - 103 |
| R76477 | 1G17 | 8 | 25 - 91 | R77464 | 3B23 | 18 | 40 - 3 | R77498 | 3F20 | 24 | 40 - 101 |
| R76477 | 1G22 | 7 | 25 - 96 | R77464 | 3F20 | 26 | 40 - 101 | R77499 | 3F20 | 24 | 40 - 101 |
| R76477 | 1H1 | 6 | 25 - 101 | R77464 | 5E18 | 17 | 70 - 75 | R77500 | 3F20 | 24 | 40 - 101 |
| R76477 | 1H1 | 8 | 25 - 101 | R77464 | 5E20 | 17 | 70 - 77 | R77501 | 3F20 | 24 | 40 - 101 |
| R76477 | 3D10 | 1 | 40 - 43 | R77464 | 5E23 | 17 | 70 - 81 | R77502 | 3F22 | 56 | 40 - 103 |
| R76477 | 3D10 | 2 | 40 - 43 | R77465 | 3C8 | 5 | 40 - 13 | R77503 | 3F22 | 56 | 40 - 103 |
| R76491 | 1E11 | 18 | 25 - 31 | R77465 | 3C8 | 6 | 40 - 13 | R77536 | 1G10 | 3 | 25 - 82 |
| R76491 | 2C21 | 15 | 26 - 25 | R77465 | 3D8 | 7 | 40 - 41 | R77551 | 1F19 | 18 | 25 - 65 |
| R76674 | 8B25 | 15 | 121 - 7 | R77465 | 3D8 | 10 | 40 - 41 | R77551 | 1F19 | 19 | 25 - 65 |
| R76822 | 1G2 | 16 | 25 - 73 | R77465 | 3D8 | 12 | 40 - 41 | R77551 | 1F21 | 18 | 25 - 67 |
| R76822 | 1G2 | 20 | 25 - 73 | R77465 | 3D10 | 2 | 40 - 43 | R77551 | 1F21 | 19 | 25 - 67 |
| R76822 | 1G4 | 15 | 25 - 75 | R77465 | 3D10 | 3 | 40 - 43 | R77551 | 1F23 | 18 | 25 - 69 |
| R76822 | 1G6 | 13 | 25 - 77 | R77465 | 3D12 | 15 | 40 - 45 | R77551 | 1F23 | 19 | 25 - 69 |
| R76822 | 2E2 | 22 | 26 - 59 | R77465 | 3D18 | 16 | 40 - 51 | R77551 | 1F25 | 18 | 25 - 71 |
| R76822 | 2E4 | 22 | 26 - 61 | R77465 | 3E2 | 19 | 40 - 59 | R77551 | 1F25 | 19 | 25 - 71 |
| R76822 | 2E6 | 22 | 26 - 61B | R77465 | 3F20 | 31 | 40 - 101 | R77551 | 1G19 | 14 | 25 - 93 |
| R76822 | 2E8 | 19 | 26 - 63 | R77465 | 3G5 | 3 | 40 - 111 | R77551 | 2D22 | 17 | 26 - 55 |
| R76822 | 2E10 | 22 | 26 - 65 | R77466 | 3F20 | 33 | 40 - 101 | R77551 | 2D22 | 18 | 26 - 55 |
| R76822 | 2E12 | 22 | 26 - 65B | R77467 | 3F20 | 34 | 40 - 101 | R77551 | 2D24 | 17 | 26 - 57 |
| R76937 | 8C2 | 9 | 121 - 9 | R77468 | 3B23 | 10 | 40 - 3 | R77551 | 2D24 | 18 | 26 - 57 |
| R77175 | 4D7 | 23 | 50 - 36 | R77468 | 3F20 | 32 | 40 - 101 | R77551 | 2F8 | 15 | 26 - 87 |
| R77175 | 4D8 | 23 | 50 - 37 | R77469 | 3F22 | 35 | 40 - 103 | R77673 | 1F8 | 14 | 25 - 53 |
| R77175 | 4D12 | 9 | 50 - 41 | R77470 | 3F22 | 45 | 40 - 103 | R77673 | 2D11 | 16 | 26 - 43 |
| R77175 | 4D14 | 23 | 50 - 43 | R77471 | 3F22 | 45 | 40 - 103 | R77673 | 2D11 | 21 | 26 - 43 |
| R77175 | 4D15 | 23 | 50 - 44 | R77472 | 3F22 | 45 | 40 - 103 | R77764 | 8C2 | 8 | 121 - 9 |
| R77175 | 4D22 | 9 | 50 - 51 | R77473 | 3F22 | 45 | 40 - 103 | R78025 | 4I10 | 8 | 60 - 47 |
| R77175 | 5C2 | 19 | 70 - 7 | R77474 | 3F22 | 44 | 40 - 103 | R78025 | 4I11 | 12 | 60 - 48 |
| R77175 | 5E18 | 1 | 70 - 75 | R77475 | 3F20 | 13 | 40 - 101 | R78025 | 4I12 | 12 | 60 - 49 |
| R77175 | 5E20 | 1 | 70 - 77 | R77476 | 3C16 | 15 | 40 - 23 | R78026 | 4I10 | 6 | 60 - 47 |
| R77175 | 5E23 | 1 | 70 - 81 | R77476 | 3C18 | 14 | 40 - 25 | R78026 | 4I11 | 6 | 60 - 48 |
| R77175 | 5E25 | 22 | 70 - 83 | R77476 | 3F20 | 3 | 40 - 101 | R78026 | 4I12 | 6 | 60 - 49 |
| R77175 | 5G8 | 12 | 70 - 115 | R77477 | 3B23 | 14 | 40 - 3 | R78027 | 4H23 | 2 | 60 - 36 |
| R77178 | 5D15 | 18B | 70 - 45 | R77477 | 3B23 | 19 | 40 - 3 | R78027 | 4I10 | 2 | 60 - 47 |
| R77178 | 5D17 | 9 | 70 - 47 | R77477 | 3F20 | 4 | 40 - 101 | R78027 | 4I11 | 2 | 60 - 48 |
| R77206 | 1G8 | 9 | 25 - 80 | R77478 | 3F20 | 15 | 40 - 101 | R78027 | 4I12 | 2 | 60 - 49 |
| R77389 | 6F3 | 15 | 90 - 86 | R77479 | 3F20 | 5 | 40 - 101 | R78047 | 1G17 | 3 | 25 - 91 |
| R77390 | 6F3 | 14 | 90 - 86 | R77479 | 3G3 | 7 | 40 - 109 | R78047 | 2F6 | 3 | 26 - 85 |
| R77391 | 6F3 | 8 | 90 - 86 | R77480 | 3C12 | 7 | 40 - 19 | R78047 | 3B23 | 11 | 40 - 3 |
| R77392 | 6F3 | 9 | 90 - 86 | R77480 | 3C12 | 8 | 40 - 19 | R78047 | 3E12 | 22 | 40 - 69 |
| R77393 | 6F3 | 10 | 90 - 86 | R77480 | 3C14 | 7 | 40 - 21 | R78047 | 3F18 | 3 | 40 - 99 |
| R77394 | 6F3 | 12 | 90 - 86 | R77480 | 3C14 | 8 | 40 - 21 | R78048 | 1G17 | 10 | 25 - 91 |
| R77396 | 6F7 | 7 | 90 - 91 | R77480 | 3F20 | 6 | 40 - 101 | R78048 | 2F6 | 10 | 26 - 85 |
| R77397 | 6F7 | 2 | 90 - 91 | R77481 | 3B23 | 7 | 40 - 3 | R78048 | 3B23 | 12 | 40 - 3 |
| R77399 | 6F7 | 4 | 90 - 91 | R77481 | 3F20 | 7 | 40 - 101 | R78048 | 3C8 | 2 | 40 - 13 |
| R77400 | 6F3 | 6 | 90 - 86 | R77482 | 3F20 | 8 | 40 - 101 | R78048 | 3C14 | 11 | 40 - 21 |
| R77401 | 6F3 | 5 | 90 - 86 | R77483 | 3C16 | 14 | 40 - 23 | R78048 | 3D10 | 11 | 40 - 43 |
| R77456 | 3F20 | 27 | 40 - 101 | R77483 | 3C18 | 13 | 40 - 25 | R78048 | 3D12 | 14 | 40 - 45 |
| R77457 | 3D8 | 11 | 40 - 41 | R77483 | 3F20 | 16 | 40 - 101 | R78048 | 3D12 | 16 | 40 - 45 |
| R77457 | 3D18 | 15 | 40 - 51 | R77484 | 3F20 | 19 | 40 - 101 | R78048 | 3D14 | 21 | 40 - 47 |
| R77457 | 3F20 | 29 | 40 - 101 | R77485 | 3F20 | 21 | 40 - 101 | R78048 | 3D16 | 13 | 40 - 49 |
| R77457 | 3G5 | 3 | 40 - 111 | R77486 | 3F20 | 22 | 40 - 101 | R78048 | 3D18 | 7 | 40 - 51 |
| R77458 | 3D12 | 8 | 40 - 45 | R77487 | 3F20 | 23 | 40 - 101 | R78048 | 3D18 | 20 | 40 - 51 |
| R77458 | 3F20 | 28 | 40 - 101 | R77488 | 3F22 | 51 | 40 - 103 | R78048 | 3D20 | 10 | 40 - 53 |
| R77459 | 3F20 | 28 | 40 - 101 | R77489 | 3F22 | 51 | 40 - 103 | R78048 | 3D22 | 16 | 40 - 55 |
| R77459 | 3G11 | 14 | 40 - 117 | R77489 | 3G3 | 3 | 40 - 109 | R78048 | 3E12 | 23 | 40 - 69 |
| R77460 | 3F20 | 28 | 40 - 101 | R77489 | 3G5 | 5 | 40 - 111 | R78048 | 3E14 | 23 | 40 - 71 |
| R77461 | 3F20 | 28 | 40 - 101 | R77490 | 3F22 | 51 | 40 - 103 | R78048 | 3E14 | 24 | 40 - 71 |
| R77462 | 3F20 | 25 | 40 - 101 | R77491 | 3F22 | 54 | 40 - 103 | R78048 | 3F2 | 8 | 40 - 83 |
| R77463 | 3D8 | 10 | 40 - 41 | R77491 | 3G3 | 2 | 40 - 109 | R78048 | 3F18 | 10 | 40 - 99 |
| R77463 | 3D8 | 11 | 40 - 41 | R77492 | 3F22 | 54 | 40 - 103 | R78048 | 3G3 | 5 | 40 - 109 |
| R77463 | 3D10 | 2 | 40 - 43 | R77493 | 3F22 | 51 | 40 - 103 | R78048 | 3G5 | 1 | 40 - 111 |
| R77463 | 3D10 | 3 | 40 - 43 | R77493 | 3G3 | 1 | 40 - 109 | R78048 | 5B22 | 13 | 70 - 3 |

NUMERICAL INDEX - CONTINUED

| PART NO. | GRID | KEY | PAGE | PART NO. | GRID | KEY | PAGE | PART NO. | GRID | KEY | PAGE |
|----------|------|-----|--------|----------|------|-----|--------|----------|------|-----|--------|
| R78049 | 1G17 | 15 | 25-91 | R78057 | 3E12 | 23 | 40-69 | R78061 | 1G17 | 23 | 25-91 |
| R78049 | 2F6 | 15 | 26-85 | R78057 | 3E14 | 23 | 40-71 | R78061 | 2F6 | 6 | 26-85 |
| R78049 | 3D14 | 22 | 40-47 | R78057 | 3F18 | 2 | 40-99 | R78061 | 2F6 | 23 | 26-85 |
| R78049 | 3F18 | 15 | 40-99 | R78057 | 3G5 | 11 | 40-111 | R78061 | 3B23 | 9 | 40-3 |
| R78049 | 3G5 | 13 | 40-111 | R78058 | 1G17 | 23 | 25-91 | R78061 | 3C16 | 9 | 40-23 |
| R78050 | 1G17 | 19 | 25-91 | R78058 | 2F6 | 23 | 26-85 | R78061 | 3C16 | 16 | 40-23 |
| R78050 | 2F6 | 19 | 26-85 | R78058 | 3C25 | 33 | 40-33 | R78061 | 3C18 | 8 | 40-25 |
| R78050 | 3D14 | 24 | 40-47 | R78058 | 3D12 | 19 | 40-45 | R78061 | 3C18 | 15 | 40-25 |
| R78050 | 3F18 | 19 | 40-99 | R78058 | 3D18 | 14 | 40-51 | R78061 | 3D12 | 19 | 40-45 |
| R78050 | 3G5 | 9 | 40-111 | R78058 | 3D18 | 18 | 40-51 | R78061 | 3D18 | 17 | 40-51 |
| R78051 | 1G17 | 24 | 25-91 | R78058 | 3D22 | 18 | 40-55 | R78061 | 3E12 | 7 | 40-69 |
| R78051 | 2F6 | 24 | 26-85 | R78058 | 3E14 | 25 | 40-71 | R78061 | 3E12 | 24 | 40-69 |
| R78051 | 3E12 | 6 | 40-69 | R78058 | 3F18 | 23 | 40-99 | R78061 | 3F18 | 6 | 40-99 |
| R78051 | 3F18 | 24 | 40-99 | R78058 | 3G5 | 8 | 40-111 | R78061 | 3F18 | 23 | 40-99 |
| R78051 | 3G5 | 11 | 40-111 | R78058 | 3G5 | 10 | 40-111 | R78061 | 3G3 | 4 | 40-109 |
| R78051 | 3H4 | 1 | 40-135 | R78058 | 6D11 | 25 | 90-43 | R78061 | 3G5 | 6 | 40-111 |
| R78052 | 1G17 | 5 | 25-91 | R78059 | 1G17 | 1 | 25-91 | R78061 | 3G13 | 12 | 40-119 |
| R78052 | 2F6 | 5 | 26-85 | R78059 | 2F6 | 1 | 26-85 | R78061 | 4E14 | 14 | 50-68 |
| R78052 | 3E12 | 7 | 40-69 | R78059 | 3D12 | 19 | 40-45 | R78061 | 4G12 | 14 | 60-1 |
| R78052 | 3F18 | 5 | 40-99 | R78059 | 3D18 | 14 | 40-51 | R78061 | 5D11 | 16 | 70-41 |
| R78052 | 3G5 | 6 | 40-111 | R78059 | 3D18 | 18 | 40-51 | R78061 | 5G13 | 14 | 70-120 |
| R78052 | 3G13 | 7 | 40-119 | R78059 | 3D22 | 16 | 40-55 | R78061 | 9E12 | 16 | 160-3 |
| R78052 | 3G13 | 11 | 40-119 | R78059 | 3D22 | 18 | 40-55 | R78062 | 1G17 | 1 | 25-91 |
| R78053 | 1G17 | 13 | 25-91 | R78059 | 3F18 | 1 | 40-99 | R78062 | 2F6 | 1 | 26-85 |
| R78053 | 2F6 | 13 | 26-85 | R78059 | 3G5 | 8 | 40-111 | R78062 | 3F18 | 1 | 40-99 |
| R78053 | 3B23 | 9 | 40-3 | R78059 | 3G5 | 9 | 40-111 | R78063 | 1G17 | 1 | 25-91 |
| R78053 | 3C12 | 10 | 40-19 | R78059 | 3G5 | 10 | 40-111 | R78063 | 1G17 | 7 | 25-91 |
| R78053 | 3C14 | 10 | 40-21 | R78059 | 3G5 | 11 | 40-111 | R78063 | 2F6 | 1 | 26-85 |
| R78053 | 3C16 | 16 | 40-23 | R78059 | 4E14 | 14 | 50-68 | R78063 | 2F6 | 7 | 26-85 |
| R78053 | 3C18 | 15 | 40-25 | R78059 | 4G12 | 14 | 60-1 | R78063 | 3C8 | 2 | 40-13 |
| R78053 | 3C25 | 33 | 40-33 | R78059 | 4G12 | 14 | 60-1 | R78063 | 3C14 | 11 | 40-21 |
| R78053 | 3D10 | 17 | 40-43 | R78059 | 5D11 | 16 | 70-41 | R78063 | 3C14 | 11 | 40-21 |
| R78053 | 3D12 | 13 | 40-45 | R78059 | 5D22 | 8 | 70-52 | R78063 | 3C25 | 33 | 40-33 |
| R78053 | 3D16 | 12 | 40-49 | R78059 | 5G8 | 9 | 70-115 | R78063 | 3D10 | 17 | 40-43 |
| R78053 | 3D18 | 14 | 40-51 | R78059 | 5G13 | 14 | 70-120 | R78063 | 3D12 | 13 | 40-45 |
| R78053 | 3D18 | 17 | 40-51 | R78059 | 9E12 | 16 | 160-3 | R78063 | 3D12 | 19 | 40-45 |
| R78053 | 3D18 | 18 | 40-51 | R78060 | 1G17 | 2 | 25-91 | R78063 | 3D14 | 21 | 40-47 |
| R78053 | 3D22 | 18 | 40-55 | R78060 | 1G17 | 9 | 25-91 | R78063 | 3D14 | 22 | 40-47 |
| R78053 | 3E12 | 24 | 40-69 | R78060 | 2F6 | 2 | 26-85 | R78063 | 3D14 | 24 | 40-47 |
| R78053 | 3E14 | 25 | 40-71 | R78060 | 2F6 | 9 | 26-85 | R78063 | 3D16 | 12 | 40-49 |
| R78053 | 3F18 | 13 | 40-99 | R78060 | 3B23 | 12 | 40-3 | R78063 | 3D18 | 14 | 40-51 |
| R78053 | 3G3 | 4 | 40-109 | R78060 | 3C8 | 2 | 40-13 | R78063 | 3D18 | 17 | 40-51 |
| R78053 | 3G5 | 2 | 40-111 | R78060 | 3C14 | 11 | 40-21 | R78063 | 3D18 | 18 | 40-51 |
| R78053 | 3H4 | 13 | 40-135 | R78060 | 3D10 | 11 | 40-43 | R78063 | 3D18 | 18 | 40-51 |
| R78053 | 4E14 | 14 | 50-68 | R78060 | 3D10 | 11 | 40-43 | R78063 | 3D20 | 10 | 40-53 |
| R78053 | 4G12 | 14 | 60-1 | R78060 | 3D12 | 16 | 40-45 | R78063 | 3E2 | 15 | 40-59 |
| R78053 | 5D11 | 16 | 70-41 | R78060 | 3D12 | 16 | 40-45 | R78063 | 3E2 | .. | 40-59 |
| R78053 | 5G13 | 14 | 70-120 | R78060 | 3D14 | 21 | 40-47 | R78063 | 3E10 | 1 | 40-67 |
| R78053 | 6D11 | 25 | 90-43 | R78060 | 3D14 | 22 | 40-47 | R78063 | 3E12 | 24 | 40-69 |
| R78053 | 9E12 | 16 | 160-3 | R78060 | 3D14 | 24 | 40-47 | R78063 | 3E14 | 25 | 40-71 |
| R78054 | 1G17 | 17 | 25-91 | R78060 | 3D18 | 7 | 40-51 | R78063 | 3F18 | 1 | 40-99 |
| R78054 | 2F6 | 17 | 26-85 | R78060 | 3D18 | 20 | 40-51 | R78063 | 3F18 | 7 | 40-99 |
| R78054 | 3F18 | 17 | 40-99 | R78060 | 3D20 | 10 | 40-53 | R78063 | 3F18 | 7 | 40-99 |
| R78054 | 3G5 | 12 | 40-111 | R78060 | 3E10 | 1 | 40-67 | R78063 | 3G3 | 4 | 40-109 |
| R78055 | 1G17 | 22 | 25-91 | R78060 | 3E12 | 6 | 40-69 | R78063 | 3G5 | 1 | 40-111 |
| R78055 | 2F6 | 22 | 26-85 | R78060 | 3E12 | 21 | 40-69 | R78063 | 3G5 | 2 | 40-111 |
| R78055 | 3D12 | 19 | 40-45 | R78060 | 3E12 | 24 | 40-69 | R78063 | 3G5 | 6 | 40-111 |
| R78055 | 3F18 | 22 | 40-99 | R78060 | 3E14 | 24 | 40-71 | R78063 | 3G5 | 7 | 40-111 |
| R78055 | 3G5 | 8 | 40-111 | R78060 | 3F2 | 8 | 40-83 | R78063 | 3G5 | 12 | 40-111 |
| R78056 | 1G17 | 26 | 25-91 | R78060 | 3F18 | 2 | 40-99 | R78063 | 3G5 | 13 | 40-111 |
| R78056 | 2F6 | 26 | 26-85 | R78060 | 3F18 | 9 | 40-99 | R78063 | 3G13 | 13 | 40-119 |
| R78056 | 3F18 | 26 | 40-99 | R78060 | 3G5 | 1 | 40-111 | R78063 | 3H4 | 13 | 40-135 |
| R78056 | 3G5 | 10 | 40-111 | R78060 | 3G5 | 2 | 40-111 | R78063 | 5G8 | 15 | 70-115 |
| R78057 | 1G17 | 2 | 25-91 | R78060 | 3G5 | 7 | 40-111 | R78063 | 6D11 | 25 | 90-43 |
| R78057 | 2F6 | 2 | 26-85 | R78060 | 3G5 | 9 | 40-111 | R78064 | 1G17 | 27 | 25-91 |
| R78057 | 3B23 | 11 | 40-3 | R78060 | 3G5 | 9 | 40-111 | R78064 | 2F6 | 27 | 26-85 |
| R78057 | 3E12 | 21 | 40-69 | R78060 | 3G5 | 12 | 40-111 | R78064 | 3F18 | 27 | 40-99 |
| | | | | R78060 | 3G5 | 13 | 40-111 | R78065 | 3D10 | 1 | 40-43 |
| | | | | R78060 | 3H4 | 1 | 40-135 | R78079 | 1G7 | 9 | 25-79 |
| | | | | R78060 | 5G8 | 15 | 70-115 | R78124 | 1E2 | 3 | 25-21 |
| | | | | R78061 | 1G17 | 6 | 25-91 | | | | |

NUMERICAL INDEX - CONTINUED

| PART NO. | GRID | KEY | PAGE | PART NO. | GRID | KEY | PAGE | PART NO. | GRID | KEY | PAGE |
|----------|------|-----|----------|----------|------|-----|----------|----------|------|-----|----------|
| R78124 | 2C15 | 3 | 26 - 18 | R83723 | 1G11 | 6 | 25 - 83 | R84959 | 1E6 | 7 | 25 - 26 |
| R78134 | 1E20 | 2 | 25 - 40 | R83723 | 2E19 | 6 | 26 - 72 | R84959 | 1E7 | 7 | 25 - 27 |
| R78134 | 1E21 | 2 | 25 - 41 | R83724 | 1G11 | 6 | 25 - 83 | R84960 | 1E6 | 10 | 25 - 26 |
| R78379 | 1G4 | 3 | 25 - 75 | R83724 | 2E19 | 6 | 26 - 72 | R84960 | 1E7 | 10 | 25 - 27 |
| R78696 | 1F2 | 7 | 25 - 47 | R83725 | 1G11 | 6 | 25 - 83 | R84976 | 1E11 | 15 | 25 - 31 |
| R78773 | 1G10 | 12 | 25 - 82 | R83725 | 2E19 | 6 | 26 - 72 | R84976 | 2C21 | 12 | 26 - 25 |
| R78774 | 1G10 | 11 | 25 - 82 | R83726 | 1G11 | 6 | 25 - 83 | R84977 | 1E11 | 16 | 25 - 31 |
| R79117 | 5F18 | 12 | 70 - 101 | R83726 | 2E19 | 6 | 26 - 72 | R84977 | 2C21 | 13 | 26 - 25 |
| R79187 | 2D2 | 4 | 26 - 31 | R83727 | 1G11 | 6 | 25 - 83 | R85027 | 1E9 | 14 | 25 - 29 |
| R79604 | 1F19 | 22 | 25 - 65 | R83727 | 2E19 | 6 | 26 - 72 | R85027 | 2C22 | 14 | 26 - 26 |
| R79604 | 1F21 | 22 | 25 - 67 | R83728 | 1G11 | 6 | 25 - 83 | R85168 | 8C8 | 10 | 121 - 15 |
| R79604 | 1F23 | 22 | 25 - 69 | R83728 | 2E19 | 6 | 26 - 72 | R85169 | 8C8 | 11 | 121 - 15 |
| R79604 | 1F25 | 22 | 25 - 71 | R83729 | 1G11 | 6 | 25 - 83 | R85319 | 1E6 | 3 | 25 - 26 |
| R79604 | 2D22 | 23 | 26 - 55 | R83729 | 2E19 | 6 | 26 - 72 | R85319 | 1E7 | 3 | 25 - 27 |
| R79604 | 2D24 | 23 | 26 - 57 | R83730 | 1G11 | 6 | 25 - 83 | R85373 | 4E9 | 15 | 50 - 63 |
| R79605 | 1F19 | 23 | 25 - 65 | R83730 | 2E19 | 6 | 26 - 72 | R85374 | 4E9 | 8 | 50 - 63 |
| R79605 | 1F21 | 23 | 25 - 67 | R83731 | 1G11 | 6 | 25 - 83 | R85376 | 4E9 | 9 | 50 - 63 |
| R79605 | 1F23 | 23 | 25 - 69 | R83731 | 2E19 | 6 | 26 - 72 | R85378 | 4E9 | 10 | 50 - 63 |
| R79605 | 1F25 | 23 | 25 - 71 | R83732 | 1G11 | 6 | 25 - 83 | R85588 | 4E5 | 1 | 50 - 58 |
| R79605 | 2D22 | 24 | 26 - 55 | R83732 | 2E19 | 6 | 26 - 72 | R85688 | 6F3 | 7 | 90 - 86 |
| R79605 | 2D24 | 24 | 26 - 57 | R83733 | 1G11 | 6 | 25 - 83 | R86007 | 1F7 | 12 | 25 - 52 |
| R79606 | 1F19 | 24 | 25 - 65 | R83733 | 2E19 | 6 | 26 - 72 | R86007 | 2D11 | 8 | 26 - 43 |
| R79606 | 1F21 | 24 | 25 - 67 | R83734 | 1G11 | 6 | 25 - 83 | R86061 | 1F7 | 3 | 25 - 52 |
| R79606 | 1F23 | 24 | 25 - 69 | R83734 | 2E19 | 6 | 26 - 72 | R86061 | 1F8 | 3 | 25 - 53 |
| R79606 | 1F25 | 24 | 25 - 71 | R83735 | 1G11 | 6 | 25 - 83 | R86061 | 2D11 | 3 | 26 - 43 |
| R79606 | 2D22 | 25 | 26 - 55 | R83735 | 2E19 | 6 | 26 - 72 | R86062 | 1F7 | 21 | 25 - 52 |
| R79606 | 2D24 | 25 | 26 - 57 | R83736 | 1G11 | 6 | 25 - 83 | R86062 | 1F8 | 21 | 25 - 53 |
| R79846 | 1G20 | 5 | 25 - 94 | R83736 | 2E19 | 6 | 26 - 72 | R86062 | 1G19 | 18 | 25 - 93 |
| R79846 | 2F9 | 5 | 26 - 88 | R83737 | 1G11 | 6 | 25 - 83 | R86062 | 2D11 | 25 | 26 - 43 |
| R79850 | 2C16 | 1 | 26 - 19 | R83737 | 2E19 | 6 | 26 - 72 | R86062 | 2F8 | 11 | 26 - 87 |
| R79915 | 1H5 | 7 | 25 - 105 | R83738 | 1G11 | 6 | 25 - 83 | R86063 | 1F8 | 20 | 25 - 53 |
| R79915 | 2F8 | 23 | 26 - 87 | R83738 | 2E19 | 6 | 26 - 72 | R86156 | 1F10 | 3 | 25 - 55 |
| R79915 | 3E4 | 7 | 40 - 61 | R83739 | 1G11 | 6 | 25 - 83 | R86427 | 1E11 | 19 | 25 - 31 |
| R80R | 8D2 | 37 | 121 - 33 | R83739 | 2E19 | 6 | 26 - 72 | R86427 | 1E11 | 27 | 25 - 31 |
| R80026 | 1E11 | 22 | 25 - 31 | R84261 | 8D2 | 11 | 121 - 33 | R86457 | 2E2 | 24 | 26 - 59 |
| R80026 | 1G19 | 17 | 25 - 93 | R84472 | 1F19 | 16 | 25 - 65 | R86457 | 7D8 | 8 | 120 - 39 |
| R80880 | 4C24 | 16 | 50 - 29 | R84472 | 1F19 | 17 | 25 - 65 | R86565 | 1D24 | 4 | 25 - 18 |
| R82007 | 1D11 | 20 | 25 - 5 | R84472 | 1F21 | 16 | 25 - 67 | R86571 | 1E13 | 2 | 25 - 33 |
| R82007 | 1D13 | 20 | 25 - 7 | R84472 | 1F21 | 17 | 25 - 67 | R86571 | 2C24 | 2 | 26 - 28 |
| R82007 | 2C2 | 17 | 26 - 5 | R84472 | 1F23 | 16 | 25 - 69 | R86743 | 1F10 | 15 | 25 - 55 |
| R82571 | 5F18 | 6 | 70 - 101 | R84472 | 1F25 | 16 | 25 - 71 | R86743 | 1G19 | 5 | 25 - 93 |
| R82719 | 2D11 | 16 | 26 - 43 | R84472 | 1G11 | 12 | 25 - 83 | R86743 | 2F8 | 4 | 26 - 87 |
| R83020 | 1F16 | 5 | 25 - 62 | R84472 | 1G13 | 10 | 25 - 85 | R86875 | 1E21 | 7 | 25 - 41 |
| R83020 | 1G19 | 10 | 25 - 93 | R84472 | 1G13 | 11 | 25 - 85 | R86875 | 1E23 | 15 | 25 - 43 |
| R83020 | 2D19 | 5 | 26 - 52 | R84472 | 1G19 | 13 | 25 - 93 | R87082 | 1F19 | 19 | 25 - 65 |
| R83020 | 2F8 | 8 | 26 - 87 | R84472 | 2D22 | 15 | 26 - 55 | R87082 | 1F21 | 19 | 25 - 67 |
| R83021 | 1F16 | 4 | 25 - 62 | R84472 | 2D24 | 15 | 26 - 57 | R87082 | 1F23 | 19 | 25 - 69 |
| R83021 | 1G19 | 8 | 25 - 93 | R84472 | 2D24 | 16 | 26 - 57 | R87082 | 1F25 | 19 | 25 - 71 |
| R83021 | 2D19 | 4 | 26 - 52 | R84472 | 2E19 | 12 | 26 - 72 | R87082 | 2D22 | 18 | 26 - 55 |
| R83021 | 2F8 | 10 | 26 - 87 | R84472 | 2E21 | 10 | 26 - 75 | R87082 | 2D24 | 18 | 26 - 57 |
| R83489 | 1G15 | 7 | 25 - 89 | R84472 | 2E21 | 11 | 26 - 75 | R87316 | 1F10 | 7 | 25 - 55 |
| R83489 | 1G19 | 31 | 25 - 93 | R84472 | 2E22 | 12 | 26 - 76 | R87316 | 1G19 | 9 | 25 - 93 |
| R83489 | 2E8 | 2 | 26 - 63 | R84472 | 2E24 | 10 | 26 - 79 | R87345 | 7E6 | 12 | 120 - 61 |
| R83489 | 2F2 | 8 | 26 - 81 | R84472 | 2E24 | 11 | 26 - 79 | R87544 | 1D15 | 1 | 25 - 9 |
| R83489 | 2F4 | 8 | 26 - 83 | R84472 | 2F8 | 14 | 26 - 87 | R87544 | 1D24 | 4 | 25 - 18 |
| R83489 | 2F8 | 27 | 26 - 87 | R84618 | 1E11 | 23 | 25 - 31 | R87544 | 1D24 | 5 | 25 - 18 |
| R83490 | 1G15 | 7 | 25 - 89 | R84618 | 2C21 | 16 | 26 - 25 | R87544 | 1D24 | 6 | 25 - 18 |
| R83490 | 1G19 | 31 | 25 - 93 | R84619 | 1E11 | 24 | 25 - 31 | R87544 | 1G20 | 2 | 25 - 94 |
| R83490 | 2F8 | 27 | 26 - 87 | R84619 | 2C21 | 17 | 26 - 25 | R87561 | 1D11 | 21 | 25 - 5 |
| R83561 | 1F2 | 12 | 25 - 47 | R84828 | 1E6 | 2 | 25 - 26 | R87561 | 1D13 | 21 | 25 - 7 |
| R83561 | 1F2 | 20 | 25 - 47 | R84828 | 1E6 | 4 | 25 - 26 | R87561 | 1D21 | 1 | 25 - 15 |
| R83720 | 1G11 | 6 | 25 - 83 | R84828 | 1E9 | 15 | 25 - 29 | R87561 | 1E6 | 1 | 25 - 26 |
| R83720 | 2E19 | 6 | 26 - 72 | R84943 | 4I4 | 1 | 60 - 41 | R87561 | 1E7 | 1 | 25 - 27 |
| R83721 | 1G11 | 6 | 25 - 83 | R84946 | 1E23 | 9 | 25 - 43 | R87561 | 2C2 | 18 | 26 - 5 |
| R83721 | 2E19 | 6 | 26 - 72 | R84946 | 1E23 | 23 | 25 - 43 | R87561 | 2C10 | 1 | 26 - 13 |
| R83722 | 1G11 | 6 | 25 - 83 | R84947 | 1E23 | 23 | 25 - 43 | R87561 | 2C18 | 1 | 26 - 21 |
| R83722 | 2E19 | 6 | 26 - 72 | R84958 | 1E6 | 6 | 25 - 26 | R87570 | 1D11 | 10 | 25 - 5 |

NUMERICAL INDEX - CONTINUED

| PART NO. | GRID | KEY | PAGE | PART NO. | GRID | KEY | PAGE | PART NO. | GRID | KEY | PAGE |
|----------|------|-----|--------|----------|------|-----|--------|----------|------|-----|--------|
| R87570 | 1D24 | 5 | 25-18 | R90532 | 2E24 | 4 | 26-79 | R92977 | 4E11 | 1 | 50-65 |
| R87570 | 1E5 | 8 | 25-25 | R90533 | 1G13 | 4 | 25-85 | R92978 | 4E11 | 6 | 50-65 |
| R87570 | 1E6 | 6 | 25-26 | R90533 | 2E21 | 4 | 26-75 | R92979 | 4E7 | 4 | 50-61 |
| R87570 | 1E6 | 6A | 25-26 | R90533 | 2E24 | 4 | 26-79 | R93008 | 1G15 | 6 | 25-89 |
| R87570 | 1F2 | 6 | 25-47 | R90534 | 1G13 | 4 | 25-85 | R93008 | 2F2 | 7 | 26-81 |
| R87634 | 1F2 | 19 | 25-47 | R90534 | 2E21 | 4 | 26-75 | R93008 | 2F4 | 7 | 26-83 |
| R87682 | 1F13 | 11 | 25-59 | R90534 | 2E24 | 4 | 26-79 | R93030 | 4D24 | 5 | 50-53 |
| R87682 | 2D16 | 8 | 26-49 | R90535 | 1G13 | 4 | 25-85 | R93105 | 4E2 | 6 | 50-55 |
| R88043 | 1E11 | 7 | 25-31 | R90535 | 2E21 | 4 | 26-75 | R93142 | 4D24 | 17 | 50-53 |
| R88043 | 1E11 | 11 | 25-31 | R90535 | 2E24 | 4 | 26-79 | R93142 | 4E7 | 2 | 50-61 |
| R88043 | 2C21 | 8 | 26-25 | R90536 | 1G13 | 4 | 25-85 | R93180 | 4D24 | 3 | 50-53 |
| R88044 | 1E11 | 6 | 25-31 | R90536 | 2E21 | 4 | 26-75 | R93308 | 1E11 | 23 | 25-31 |
| R88044 | 1E11 | 10 | 25-31 | R90536 | 2E24 | 4 | 26-79 | R93308 | 2C21 | 16 | 26-25 |
| R88045 | 1E11 | 5 | 25-31 | R90537 | 1G13 | 4 | 25-85 | R93311 | 1E11 | 24 | 25-31 |
| R88045 | 1E11 | 9 | 25-31 | R90537 | 2E21 | 4 | 26-75 | R93311 | 2C21 | 17 | 26-25 |
| R88379 | 1D11 | 24 | 25-5 | R90537 | 2E24 | 4 | 26-79 | R93312 | 1E11 | 23 | 25-31 |
| R88379 | 1D15 | 1 | 25-9 | R90538 | 1G13 | 4 | 25-85 | R93312 | 2C21 | 16 | 26-25 |
| R88379 | 1D17 | 1 | 25-11 | R90538 | 2E21 | 4 | 26-75 | R93313 | 1E11 | 24 | 25-31 |
| R88380 | 1D11 | 24 | 25-5 | R90538 | 2E24 | 4 | 26-79 | R93313 | 2C21 | 17 | 26-25 |
| R88380 | 1D15 | 1 | 25-9 | R90539 | 1G13 | 4 | 25-85 | R93314 | 1E11 | 23 | 25-31 |
| R88397 | 1F7 | 4 | 25-52 | R90539 | 2E21 | 4 | 26-75 | R93314 | 2C21 | 16 | 26-25 |
| R88397 | 1F8 | 4 | 25-53 | R90539 | 2E24 | 4 | 26-79 | R93315 | 1E11 | 24 | 25-31 |
| R88397 | 1G19 | 12 | 25-93 | R90540 | 1G13 | 4 | 25-85 | R93315 | 2C21 | 17 | 26-25 |
| R88397 | 2D11 | 4 | 26-43 | R90540 | 2E21 | 4 | 26-75 | R93349 | 1E11 | 15 | 25-31 |
| R88397 | 2F8 | 13 | 26-87 | R90540 | 2E24 | 4 | 26-79 | R93349 | 2C21 | 13 | 26-25 |
| R88829 | 4D24 | 11 | 50-53 | R90541 | 1G13 | 4 | 25-85 | R93350 | 1E11 | 16 | 25-31 |
| R88959 | 4E7 | 3 | 50-61 | R90541 | 2E21 | 4 | 26-75 | R93350 | 2C21 | 12 | 26-25 |
| R88960 | 4E7 | 3 | 50-61 | R90541 | 2E24 | 4 | 26-79 | R93948 | 1D23 | 11 | 25-17 |
| R88972 | 4D24 | 1 | 50-53 | R90542 | 1G13 | 4 | 25-85 | R93948 | 2C12 | 11 | 26-15 |
| R88972 | 4D24 | 6 | 50-53 | R90542 | 2E21 | 4 | 26-75 | R93953 | 1F6 | 4 | 25-51 |
| R88993 | 1G19 | 2 | 25-93 | R90542 | 2E24 | 4 | 26-79 | R94338 | 1E24 | 2 | 25-45 |
| R88993 | 2F8 | 1 | 26-87 | R90543 | 1G13 | 4 | 25-85 | R94338 | 2D6 | 2 | 26-36 |
| R89012 | 4E7 | 4 | 50-61 | R90543 | 2E21 | 4 | 26-75 | R94400 | 1G13 | 3 | 25-85 |
| R89014 | 1G2 | .. | 25-73 | R90543 | 2E24 | 4 | 26-79 | R94400 | 2E24 | 3 | 26-79 |
| R89014 | 2E2 | 24 | 26-59 | R90544 | 1G13 | 4 | 25-85 | R94410 | 1G13 | 6 | 25-85 |
| R89014 | 2E4 | 24 | 26-61 | R90544 | 2E21 | 4 | 26-75 | R94410 | 2E21 | 6 | 26-75 |
| R89014 | 2E6 | 24 | 26-61B | R90544 | 2E24 | 4 | 26-79 | R94410 | 2E24 | 6 | 26-79 |
| R89014 | 2E10 | 24 | 26-65 | R90565 | 5F18 | 7 | 70-101 | R94412 | 1G13 | 7 | 25-85 |
| R89014 | 2E12 | 24 | 26-65B | R90979 | 1F10 | 2 | 25-55 | R94412 | 2E21 | 7 | 26-75 |
| R89015 | 4E9 | 14 | 50-63 | R90980 | 1F10 | 4 | 25-55 | R94412 | 2E24 | 7 | 26-79 |
| R89056 | 1F7 | 20 | 25-52 | R91519 | 1F16 | 1 | 25-62 | R94414 | 1G13 | 9 | 25-85 |
| R89142 | 6D11 | 10 | 90-43 | R91519 | 2D19 | 1 | 26-52 | R94414 | 2E21 | 9 | 26-75 |
| R89143 | 6D11 | 4 | 90-43 | R91604 | 1F7 | 15 | 25-52 | R94414 | 2E24 | 9 | 26-79 |
| R89439 | 1F7 | 11 | 25-52 | R91604 | 1F7 | 16 | 25-52 | R94418 | 5F18 | 13 | 70-101 |
| R89439 | 1F8 | 11 | 25-53 | R91726 | 5F18 | 8 | 70-101 | R94561 | 2C4 | .. | 26-7 |
| R89439 | 2D11 | 12 | 26-43 | R91732 | 1E11 | 4 | 25-31 | R94561 | 2C6 | 1 | 26-9 |
| R89610 | 4D24 | 12 | 50-53 | R91747 | 1E6 | 2 | 25-26 | R94615 | 2D5 | 8 | 26-35 |
| R89790 | 1F10 | 6 | 25-55 | R91747 | 1E9 | 15 | 25-29 | R94618 | 2D5 | 1 | 26-35 |
| R89790 | 2D13 | 1 | 26-45 | R91747 | 2C18 | 2 | 26-21 | R94618 | 2F8 | 33 | 26-87 |
| R89879 | 1G19 | 7 | 25-93 | R91822 | 1E11 | 4 | 25-31 | R94619 | 2D5 | 3 | 26-35 |
| R89879 | 2F8 | 7 | 26-87 | R91822 | 2C21 | 4 | 26-25 | R94619 | 2F8 | 29 | 26-87 |
| R89927 | 1G15 | 13 | 25-89 | R91824 | 1F19 | 38 | 25-65 | R94648 | 2E2 | 24 | 26-59 |
| R89927 | 2F2 | 10 | 26-81 | R91824 | 1G2 | 5 | 25-73 | R96418 | 2D5 | 1 | 26-35 |
| R89927 | 2F4 | 10 | 26-83 | R91824 | 2E2 | 6 | 26-59 | R96518 | 2D14 | 2 | 26-46 |
| R90080 | 4E17 | 3 | 50-71 | R91824 | 2E4 | 6 | 26-61 | R96606 | 2D8 | 17 | 26-39 |
| R90521 | 6H10 | 5 | 110-43 | R91824 | 2E6 | 6 | 26-61B | R96616 | 2D8 | 18 | 26-39 |
| R90529 | 1G13 | 4 | 25-85 | R91824 | 2E10 | 6 | 26-65 | R96616 | 2D9 | 5 | 26-40 |
| R90529 | 2E21 | 4 | 26-75 | R91824 | 2E12 | 6 | 26-65B | R96616 | 2F8 | 28 | 26-87 |
| R90529 | 2E24 | 4 | 26-79 | R92097 | 1F13 | 2 | 25-59 | R96622 | 2D8 | 16 | 26-39 |
| R90530 | 1G13 | 4 | 25-85 | R92097 | 1G19 | 7 | 25-93 | R97061 | 1F19 | 29 | 25-65 |
| R90530 | 2E21 | 4 | 26-75 | R92097 | 2D16 | 4 | 26-49 | R97061 | 1F19 | 34 | 25-65 |
| R90530 | 2E24 | 4 | 26-79 | R92097 | 2F8 | 6 | 26-87 | R97061 | 1F21 | 29 | 25-67 |
| R90531 | 1G13 | 4 | 25-85 | R92104 | 4E5 | 3 | 50-58 | R97061 | 1F23 | 29 | 25-69 |
| R90531 | 2E21 | 4 | 26-75 | R92148 | 4E7 | 1 | 50-61 | R97061 | 1F23 | 36 | 25-69 |
| R90531 | 2E24 | 4 | 26-79 | R92160 | 4D24 | 4 | 50-53 | R97061 | 1F25 | 29 | 25-71 |
| R90532 | 1G13 | 4 | 25-85 | R92387 | 4E5 | 7 | 50-58 | R97061 | 2D22 | 30 | 26-55 |
| R90532 | 2E21 | 4 | 26-75 | R92447 | 1G19 | 3 | 25-93 | R97061 | 2D24 | 30 | 26-57 |

NUMERICAL INDEX - CONTINUED

| PART NO. | GRID | KEY | PAGE | PART NO. | GRID | KEY | PAGE | PART NO. | GRID | KEY | PAGE |
|----------|------|-----|--------|----------|------|-----|--------|----------|------|-----|--------|
| R97061 | 2E2 | 4 | 26-59 | TY22007 | 1D8 | 2 | 25-1 | TY2615 | 8G8 | 21 | 125-15 |
| R97061 | 2E4 | 4 | 26-61 | TY22007 | 2B23 | 2 | 26-1 | TY6167 | 3F4 | 8 | 40-85 |
| R97061 | 2E6 | 4 | 26-61B | TY22008 | 1D8 | 2 | 25-1 | TY6167 | 3F5 | 8 | 40-86 |
| R97061 | 2E8 | 5 | 26-63 | TY22008 | 2B23 | 2 | 26-1 | TY6280 | 1D8 | 1 | 25-1 |
| R97061 | 2E10 | 4 | 26-65 | TY22010 | 1D8 | 2 | 25-1 | TY6280 | 2B23 | 1 | 26-1 |
| R97061 | 2E12 | 4 | 26-65B | TY22010 | 2B23 | 2 | 26-1 | TY6304 | 4C10 | .. | 50-15 |
| R97237 | 1G15 | 19 | 25-89 | TY22011 | 1D8 | 2 | 25-1 | TY6304 | 4C20 | .. | 50-25 |
| R97346 | 1G19 | 6 | 25-93 | TY22011 | 2B23 | 2 | 26-1 | TY6304 | 8D2 | .. | 121-33 |
| R97349 | 1F13 | 15 | 25-59 | TY22025 | 6F8 | .. | 90-92 | TY6305 | 4F24 | .. | 50-103 |
| R97998 | 4E17 | 13 | 50-71 | TY22041 | 1D8 | .. | 25-1 | TY6305 | 8D2 | .. | 121-33 |
| R98064 | 2D5 | 10 | 26-35 | TY22041 | 2B23 | .. | 26-1 | TY6333 | 6F21 | .. | 110-3 |
| R98500 | 1G2 | .. | 25-73 | TY22042 | 1D8 | .. | 25-1 | TY6333 | 7D14 | .. | 120-45 |
| R98500 | 2E2 | 23 | 26-59 | TY22042 | 2B23 | .. | 26-1 | TY6333 | 7D16 | .. | 120-47 |
| R98500 | 2E4 | 23 | 26-61 | TY22064 | 1D8 | 1 | 25-1 | TY6333 | 8D2 | .. | 121-33 |
| R98500 | 2E6 | 23 | 26-61B | TY22064 | 2B23 | 1 | 26-1 | TY6364 | 1D8 | 1 | 25-1 |
| R98500 | 2E10 | 23 | 26-65 | TY22065 | 1D8 | 1 | 25-1 | TY6364 | 2B23 | 1 | 26-1 |
| R98500 | 2E12 | 23 | 26-65B | TY22065 | 2B23 | 1 | 26-1 | TY6389 | 1D8 | 2 | 25-1 |
| R98502 | 1G4 | 18 | 25-75 | TY22066 | 1D8 | 1 | 25-1 | TY6389 | 2B23 | 2 | 26-1 |
| R98502 | 2E8 | 24 | 26-63 | TY22066 | 2B23 | 1 | 26-1 | TY6390 | 1D8 | 2 | 25-1 |
| R98527 | 1F2 | 23 | 25-47 | TY22067 | 1D8 | 1 | 25-1 | TY6390 | 2B23 | 2 | 26-1 |
| R98527 | 1F4 | 12 | 25-49 | TY22067 | 2B23 | 1 | 26-1 | TY6391 | 1D8 | 2 | 25-1 |
| R99047 | 1G2 | .. | 25-73 | TY22068 | 1D8 | 1 | 25-1 | TY6391 | 2B23 | 2 | 26-1 |
| R99047 | 2E2 | 24 | 26-59 | TY22068 | 2B23 | 1 | 26-1 | TY6392 | 1D8 | 2 | 25-1 |
| R99047 | 2E4 | 24 | 26-61 | TY22069 | 1D8 | 1 | 25-1 | TY6392 | 2B23 | 2 | 26-1 |
| R99047 | 2E6 | 24 | 26-61B | TY22069 | 2B23 | 1 | 26-1 | TY6393 | 1D8 | 2 | 25-1 |
| R99047 | 2E10 | 24 | 26-65 | TY22070 | 1D8 | 1 | 25-1 | TY6393 | 2B23 | 2 | 26-1 |
| R99047 | 2E12 | 24 | 26-65B | TY22070 | 2B23 | 1 | 26-1 | TY6394 | 1D8 | 2 | 25-1 |
| R99173 | 3D6 | 27 | 40-39 | TY22073 | 1D8 | 1 | 25-1 | TY6394 | 2B23 | 2 | 26-1 |
| R99244 | 4C17 | 16 | 50-22 | TY22073 | 2B23 | 1 | 26-1 | TY6617 | 1G21 | 5 | 25-95 |
| R99377 | 4E4 | 1 | 50-57 | TY22074 | 1D8 | 1 | 25-1 | TY6617 | 1G21 | .. | 25-95 |
| R99463 | 2C17 | 7 | 26-20 | TY22074 | 2B23 | 1 | 26-1 | TY6626 | 6E25 | 18 | 90-83 |
| R99464 | 2C17 | 14 | 26-20 | TY22101 | 6F8 | .. | 90-92 | TY6626 | 6F3 | 16 | 90-86 |
| R99464 | 2F8 | 20 | 26-87 | TY22324 | 2G10 | 8 | 30-19 | TY6653 | 3E18 | 11 | 40-75 |
| R99531 | 1F17 | 1 | 25-63 | TY22326 | 8D24 | 20 | 121-55 | TY6653 | 3E18 | 12 | 40-75 |
| R99531 | 1G9 | 1 | 25-81 | TY22326 | 8E16 | 4 | 121-71 | TY6653 | 3E18 | 15 | 40-75 |
| R99531 | 2E13 | 1 | 26-66 | TY22326 | 8I3 | 3 | 125-59 | TY6653 | 3E18 | 22 | 40-75 |
| R99531 | 2E15 | 1 | 26-68 | TY22326 | 9D21 | 24 | 130-53 | TY6653 | 3E18 | .. | 40-75 |
| R99622 | 1F8 | 15 | 25-53 | TY22328 | 6F13 | 5 | 90-97 | TY6653 | 3E19 | 1 | 40-76 |
| R99864 | 1F7 | 15 | 25-52 | TY22329 | 8D16 | 11 | 121-47 | TY6713 | 1G21 | 5 | 25-95 |
| R99864 | 1F7 | 16 | 25-52 | TY22330 | 6F13 | 4 | 90-97 | TY6713 | 1G21 | .. | 25-95 |
| TY15130 | 6F23 | .. | 110-5 | TY22412 | 2G12 | 1 | 30-21 | TY6713 | 1H2 | 17 | 25-102 |
| TY15130 | 8B21 | .. | 121-3 | TY22418 | 2F18 | 23 | 30-3 | TY6731 | 1G22 | 10 | 25-96 |
| TY15130 | 8B23 | .. | 121-5 | TY22418 | 2F22 | 2 | 30-7 | TY6731 | 1G22 | 11 | 25-96 |
| TY15130 | 8C10 | .. | 121-17 | TY22424 | 1C14 | 4 | 20-21 | TY6731 | 1G24 | 6 | 25-99 |
| TY15130 | 8C12 | .. | 121-19 | TY22462 | 2F22 | 1 | 30-7 | TY6731 | 2F10 | 10 | 26-89 |
| TY15130 | 8C14 | .. | 121-21 | TY22462 | 2G12 | 2 | 30-21 | TY6731 | 2F10 | 11 | 26-89 |
| TY15130 | 8C16 | .. | 121-23 | TY22465 | 2F18 | 5 | 30-3 | TY6731 | 2F12 | 6 | 26-91 |
| TY15130 | 8D2 | .. | 121-33 | TY22465 | 2F22 | 5 | 30-7 | TY6748 | 3E18 | .. | 40-75 |
| TY15130 | 9C13 | .. | 130-21 | TY22465 | 6F13 | 3 | 90-97 | TY6748 | 3E19 | 1 | 40-76 |
| TY15451 | 3D6 | 20 | 40-39 | TY22465 | 8D18 | 10 | 121-49 | TY6750 | 3E20 | 1 | 40-77 |
| TY15452 | 3D6 | 20 | 40-39 | TY22467 | 1F13 | 10 | 25-59 | TY6750 | 3E20 | 13 | 40-77 |
| TY15709 | 8F2 | .. | 121-81 | TY22467 | 2D16 | 7 | 26-49 | TY6750 | 3E22 | .. | 40-79 |
| TY15949 | 6F8 | .. | 90-92 | TY22467 | 2G8 | 6 | 30-17 | TY6765 | 6F2 | 16 | 90-85 |
| TY15950 | 6F8 | .. | 90-92 | TY22471 | 1G22 | .. | 25-96 | TY6768 | 6F8 | .. | 90-92 |
| TY15951 | 6F8 | .. | 90-92 | TY22472 | 2G10 | 1 | 30-19 | TY6781 | 1G22 | 10 | 25-96 |
| TY16004 | 1D9 | 2 | 25-2 | TY22472 | 2G10 | 13 | 30-19 | TY6781 | 1G22 | 11 | 25-96 |
| TY16004 | 2B24 | 2 | 26-3 | TY22474 | 6E23 | 20 | 90-81 | TY6781 | 2F10 | 10 | 26-89 |
| TY16005 | 1D9 | 3 | 25-2 | TY22475 | 5D13 | 15 | 70-43 | TY6781 | 2F10 | 11 | 26-89 |
| TY16005 | 2B24 | 3 | 26-3 | TY22475 | 5D15 | 18A | 70-45 | TY6781 | 2F12 | 6 | 26-91 |
| TY16086 | 3F20 | 24 | 40-101 | TY22494 | 8C8 | 20 | 121-15 | TY9370 | 4C14 | .. | 50-19 |
| TY16285 | 4C10 | .. | 50-15 | TY22494 | 8C8 | 21 | 121-15 | TY9370 | 6C4 | .. | 90-11 |
| TY16285 | 4F24 | .. | 50-103 | TY22494 | 8C20 | 46 | 121-27 | TY9370 | 6D5 | .. | 90-37 |
| TY16285 | 8D2 | .. | 121-33 | TY22494 | 8C20 | 47 | 121-27 | TY9371 | 4C10 | .. | 50-15 |
| TY16423 | 1D9 | .. | 25-2 | TY22566 | 2G12 | 1 | 30-21 | TY9371 | 4C14 | .. | 50-19 |
| TY16423 | 2B24 | .. | 26-3 | TY24485 | 3E20 | 1 | 40-77 | TY9371 | 4C20 | .. | 50-25 |
| TY21765 | 3F4 | 8 | 40-85 | TY24485 | 3E20 | 13 | 40-77 | TY9371 | 6D5 | .. | 90-37 |
| TY21765 | 3F5 | 8 | 40-86 | TY24485 | 3E22 | .. | 40-79 | TY9371 | 7C16 | .. | 120-23 |

NUMERICAL INDEX - CONTINUED

| PART NO. | GRID | KEY | PAGE | PART NO. | GRID | KEY | PAGE | PART NO. | GRID | KEY | PAGE |
|----------|------|-----|----------|----------|------|-----|----------|----------|------|-----|----------|
| TY9371 | 8C6 | .. | 121 - 13 | T146515 | 2F13 | 9 | 26 - 92 | T28077 | 2F18 | 4 | 30 - 3 |
| TY9373 | 4C14 | .. | 50 - 19 | T146516 | 1G22 | 12 | 25 - 96 | T28077 | 5C14 | 15 | 70 - 19 |
| TY9373 | 6D5 | .. | 90 - 37 | T146516 | 1H1 | 1 | 25 - 101 | T28583 | 3B23 | 8 | 40 - 3 |
| TY9374 | 8C2 | .. | 121 - 9 | T146516 | 2F10 | 12 | 26 - 89 | T28583 | 3C12 | 6 | 40 - 19 |
| TY9473 | 4F24 | .. | 50 - 103 | T146516 | 2F13 | 9 | 26 - 92 | T28583 | 3C14 | 6 | 40 - 21 |
| TY9478 | 4C14 | .. | 50 - 19 | T146517 | 1G22 | 12 | 25 - 96 | T28583 | 3D18 | 19 | 40 - 51 |
| TY9478 | 6D5 | .. | 90 - 37 | T146517 | 1H1 | 1 | 25 - 101 | T28583 | 3F20 | 1 | 40 - 101 |
| T100640 | 3E19 | 2 | 40 - 76 | T146517 | 2F10 | 12 | 26 - 89 | T28583 | 3F24 | 34 | 40 - 105 |
| T105740 | 4E21 | 9 | 50 - 75 | T146517 | 2F13 | 9 | 26 - 92 | T28585 | 3C6 | 12 | 40 - 11 |
| T105740 | 4E25 | 6 | 50 - 79 | T15712 | 2G2 | 9 | 30 - 11 | T28585 | 3C6 | 16 | 40 - 11 |
| T105740 | 4F2 | 6 | 50 - 81 | T16193 | 6D7 | 8 | 90 - 39 | T28585 | 3F20 | 12 | 40 - 101 |
| T105740 | 4F8 | 6 | 50 - 87 | T16193 | 6F25 | 8 | 110 - 7 | T28585 | 3F24 | 35 | 40 - 105 |
| T10745 | 3E20 | 4 | 40 - 77 | T16464 | 7C12 | 26 | 120 - 19 | T28586 | 3C16 | 17 | 40 - 23 |
| T10745 | 3E22 | 2 | 40 - 79 | T17568 | 2F18 | 14 | 30 - 3 | T28586 | 3C18 | 16 | 40 - 25 |
| T11180 | 1F13 | 18 | 25 - 59 | T17568 | 2F18 | 23 | 30 - 3 | T28586 | 3F20 | 14 | 40 - 101 |
| T11180 | 2D16 | 1 | 26 - 49 | T17568 | 2F18 | 30 | 30 - 3 | T28586 | 6E21 | 8 | 90 - 79 |
| T119912 | 8D20 | 22 | 121 - 51 | T17568 | 2F22 | 21 | 30 - 7 | T28860 | 2F22 | 20 | 30 - 7 |
| T12033 | 4B22 | 3 | 50 - 3 | T19832 | 4D22 | 32 | 50 - 51 | T28862 | 2D16 | 3 | 26 - 49 |
| T12083 | 4C10 | .. | 50 - 15 | T20077 | 1E11 | 2 | 25 - 31 | T28949 | 2F18 | 28 | 30 - 3 |
| T12960 | 5C16 | 7 | 70 - 21 | T20077 | 2C21 | 2 | 26 - 25 | T29100 | 3E18 | 2 | 40 - 75 |
| T13119 | 2G2 | 9 | 30 - 11 | T20129 | 1E11 | 1 | 25 - 31 | T29342 | 4D4 | 20 | 50 - 33 |
| T134452 | 1G22 | 12 | 25 - 96 | T20129 | 2C21 | 1 | 26 - 25 | T29342 | 4D18 | 20 | 50 - 47 |
| T134452 | 1H1 | 1 | 25 - 101 | T20217 | 6G5 | 5 | 110 - 13 | T29342 | 4G7 | 4 | 50 - 111 |
| T134452 | 2F10 | 12 | 26 - 89 | T20217 | 7F13 | 4 | 120 - 90 | T31556 | 1F17 | 4 | 25 - 63 |
| T134452 | 2F13 | 9 | 26 - 92 | T20217 | 8D8 | 20 | 121 - 39 | T31556 | 1G9 | 4 | 25 - 81 |
| T134453 | 1G22 | 12 | 25 - 96 | T20217 | 9C25 | 7 | 130 - 33 | T32231 | 1F5 | .. | 25 - 50 |
| T134453 | 1H1 | 1 | 25 - 101 | T20294 | 1E4 | 5 | 25 - 24 | T32231 | 1F10 | .. | 25 - 55 |
| T134453 | 2F10 | 12 | 26 - 89 | T20294 | 1E5 | 5 | 25 - 25 | T32231 | 2D13 | .. | 26 - 45 |
| T134453 | 2F13 | 9 | 26 - 92 | T20294 | 1E12 | 2 | 25 - 32 | T32231 | 2D14 | .. | 26 - 46 |
| T134454 | 1G22 | 12 | 25 - 96 | T20294 | 2C23 | 2 | 26 - 27 | T32231 | 2F24 | 3 | 30 - 9 |
| T134454 | 1H1 | 1 | 25 - 101 | T20328 | 1E4 | 6 | 25 - 24 | T32231 | 2G2 | 3 | 30 - 11 |
| T134454 | 2F10 | 12 | 26 - 89 | T20328 | 1E5 | 6 | 25 - 25 | T32231 | 3E12 | 12 | 40 - 69 |
| T134454 | 2F13 | 9 | 26 - 92 | T20328 | 1E12 | 3 | 25 - 32 | T32255 | 3C25 | 19 | 40 - 33 |
| T134455 | 1G22 | 12 | 25 - 96 | T20328 | 1G19 | 26 | 25 - 93 | T32255 | 3D2 | 5 | 40 - 35 |
| T134455 | 1H1 | 1 | 25 - 101 | T20328 | 2C23 | 3 | 26 - 27 | T32255 | 3D2 | 19 | 40 - 35 |
| T134455 | 2F10 | 12 | 26 - 89 | T20328 | 2F8 | 21 | 26 - 87 | T34067 | 3C16 | 13 | 40 - 23 |
| T134455 | 2F13 | 9 | 26 - 92 | T21242 | 1E15 | 3 | 25 - 35 | T34067 | 3C16 | 16 | 40 - 23 |
| T134456 | 1G22 | 12 | 25 - 96 | T21242 | 1E17 | 3 | 25 - 37 | T34067 | 3C18 | 12 | 40 - 25 |
| T134456 | 1H1 | 1 | 25 - 101 | T21242 | 1E19 | 1 | 25 - 39 | T34067 | 3C18 | 15 | 40 - 25 |
| T134456 | 2F10 | 12 | 26 - 89 | T21242 | 2D2 | 3 | 26 - 31 | T34067 | 3F20 | 18 | 40 - 101 |
| T134456 | 2F13 | 9 | 26 - 92 | T22714 | 8D8 | 23 | 121 - 39 | T34354 | 8C10 | 9 | 121 - 17 |
| T134459 | 1G22 | 8 | 25 - 96 | T22828 | 5F18 | 9 | 70 - 101 | T34354 | 8C12 | 5 | 121 - 19 |
| T134459 | 1H1 | 5 | 25 - 101 | T22875 | 4H12 | 31 | 60 - 25 | T34355 | 8C10 | 9 | 121 - 17 |
| T134459 | 2F10 | 8 | 26 - 89 | T22875 | 6E15 | 31 | 90 - 73 | T34355 | 8C12 | 5 | 121 - 19 |
| T134459 | 2F13 | 6 | 26 - 92 | T23027 | 6C18 | 2 | 90 - 25 | T34356 | 8C10 | 9 | 121 - 17 |
| T13814 | 1G15 | 11 | 25 - 89 | T23033 | 6C18 | 6 | 90 - 25 | T34356 | 8C12 | 5 | 121 - 19 |
| T13814 | 1H5 | 4 | 25 - 105 | T23529 | 4H12 | 29 | 60 - 25 | T35440 | 3D2 | 24 | 40 - 35 |
| T13814 | 2E8 | 28 | 26 - 63 | T23529 | 6E15 | 29 | 90 - 73 | T37851 | 9B24 | 11 | 130 - 7 |
| T13814 | 2F14 | 2 | 26 - 93 | T23891 | 1E3 | 2 | 25 - 22 | T38377 | 2F18 | 28 | 30 - 3 |
| T14065 | 4D6 | 14 | 50 - 35 | T23891 | 2C16 | 2 | 26 - 19 | T38377 | 8D18 | 18 | 121 - 49 |
| T14323 | 8C2 | 7 | 121 - 9 | T24167 | 3B23 | 13 | 40 - 3 | T40867 | 5H12 | 24 | 80 - 23 |
| T14323 | 8C2 | 18 | 121 - 9 | T24210 | 1F17 | 2 | 25 - 63 | T41201 | 8C14 | 4 | 121 - 21 |
| T146102 | 1G22 | 8 | 25 - 96 | T24210 | 1G9 | 2 | 25 - 81 | T41201 | 8C16 | 4 | 121 - 23 |
| T146102 | 1H1 | 5 | 25 - 101 | T24210 | 2E13 | 2 | 26 - 66 | T43512 | 4F24 | .. | 50 - 103 |
| T146102 | 2F10 | 8 | 26 - 89 | T24210 | 2E15 | 2 | 26 - 68 | T43512 | 6F21 | .. | 110 - 3 |
| T146102 | 2F13 | 6 | 26 - 92 | T24229 | 1F17 | 5 | 25 - 63 | T43512 | 6F23 | .. | 110 - 5 |
| T146104 | 1G22 | 12 | 25 - 96 | T24229 | 1G9 | 5 | 25 - 81 | T43512 | 8C10 | .. | 121 - 17 |
| T146104 | 1H1 | 1 | 25 - 101 | T25343 | 3E18 | 22 | 40 - 75 | T43512 | 8C12 | .. | 121 - 19 |
| T146104 | 2F10 | 12 | 26 - 89 | T25353 | 3E18 | 11 | 40 - 75 | T43512 | 8C14 | .. | 121 - 21 |
| T146104 | 2F13 | 9 | 26 - 92 | T25473 | 4F24 | 7 | 50 - 103 | T43512 | 8C16 | .. | 121 - 23 |
| T146106 | 1G22 | 12 | 25 - 96 | T26257 | 5E7 | 15 | 70 - 63 | T43512 | 8D2 | .. | 121 - 33 |
| T146106 | 1H1 | 1 | 25 - 101 | T27523 | 5C7 | 3 | 70 - 12 | T43514 | 4C20 | 13 | 50 - 25 |
| T146106 | 2F10 | 12 | 26 - 89 | T27523 | 8H6 | 7 | 125 - 37 | T43514 | 6G17 | 14 | 110 - 25 |
| T146106 | 2F13 | 9 | 26 - 92 | T27860 | 1E2 | 2 | 25 - 21 | T43514 | 6G17 | 15 | 110 - 25 |
| T146515 | 1G22 | 12 | 25 - 96 | T27860 | 2C15 | 2 | 26 - 18 | T43515 | 6F21 | .. | 110 - 3 |
| T146515 | 1H1 | 1 | 25 - 101 | T27888 | 4C18 | 3 | 50 - 23 | T45132 | 5G8 | 27 | 70 - 115 |
| T146515 | 2F10 | 12 | 26 - 89 | T27986 | 5C14 | 9 | 70 - 19 | T46726 | 2F24 | 10 | 30 - 9 |

NUMERICAL INDEX - CONTINUED

| PART NO. | GRID | KEY | PAGE | PART NO. | GRID | KEY | PAGE | PART NO. | GRID | KEY | PAGE |
|----------|------|-----|----------|----------|------|-----|----------|----------|------|-----|----------|
| T47836 | 8D2 | 33 | 121 - 33 | T77613 | 5C20 | 1 | 70 - 25 | T77858 | 5D19 | 10 | 70 - 49 |
| T49676 | 8B25 | 14 | 121 - 7 | T77613 | 5C22 | 2 | 70 - 27 | T77858 | 5D21 | 4 | 70 - 51 |
| T50409 | 8B25 | 13 | 121 - 7 | T77613 | 5C24 | 22 | 70 - 29 | T77858 | 5D21 | 11 | 70 - 51 |
| T50415 | 8C2 | 1 | 121 - 9 | T77613 | 5D2 | 30 | 70 - 31 | T77858 | 5G10 | 5 | 70 - 117 |
| T519T | 6D11 | 3 | 90 - 43 | T77613 | 5D6 | 7 | 70 - 35 | T77858 | 8H4 | 1 | 125 - 35 |
| T531T | 3C25 | 20 | 40 - 33 | T77613 | 5D15 | 1 | 70 - 45 | T77858 | 8H6 | 15 | 125 - 37 |
| T531T | 3D2 | 20 | 40 - 35 | T77613 | 5D17 | 1 | 70 - 47 | T77932 | 4E13 | 14 | 50 - 67 |
| T55201 | 6D18 | 12 | 90 - 51 | T77613 | 5E2 | 6 | 70 - 57 | T77932 | 4F24 | 6 | 50 - 103 |
| T55501 | 4H12 | 5 | 60 - 25 | T77613 | 5F6 | 4 | 70 - 89 | T77932 | 4H16 | 5 | 60 - 29 |
| T55501 | 6E15 | 5 | 90 - 73 | T77613 | 5F8 | 6 | 70 - 91 | T77932 | 4H18 | 1 | 60 - 31 |
| T55585 | 4H12 | 6 | 60 - 25 | T77613 | 5F20 | 11 | 70 - 103 | T77932 | 5B24 | 3 | 70 - 5 |
| T55585 | 6E15 | 6 | 90 - 73 | T77613 | 5G10 | 2 | 70 - 117 | T77932 | 5C10 | 11 | 70 - 15 |
| T55761 | 6F21 | 26 | 110 - 3 | T77613 | 5G12 | 4 | 70 - 119 | T77932 | 5C16 | 12 | 70 - 21 |
| T55761 | 6H20 | 10 | 110 - 53 | T77814 | 4F20 | 8 | 50 - 99 | T77932 | 5D19 | 3 | 70 - 49 |
| T60314 | 5G8 | 32 | 70 - 115 | T77814 | 4F22 | 8 | 50 - 101 | T77932 | 5D24 | 3 | 70 - 55 |
| T62323 | 4I2 | 12 | 60 - 39 | T77814 | 4H22 | 12 | 60 - 35 | T77932 | 5F22 | 2 | 70 - 105 |
| T62508 | 8C2 | 2 | 121 - 9 | T77814 | 5C24 | 4 | 70 - 29 | T77932 | 5F24 | 2 | 70 - 107 |
| T62509 | 8C2 | 4 | 121 - 9 | T77814 | 5D2 | 4 | 70 - 31 | T77932 | 5G2 | 2 | 70 - 109 |
| T62828 | 6D18 | 1 | 90 - 51 | T77814 | 5D6 | 8 | 70 - 35 | T77932 | 5G10 | 4 | 70 - 117 |
| T62843 | 8H10 | 13 | 125 - 41 | T77814 | 5E2 | 9 | 70 - 57 | T77932 | 8H6 | 1 | 125 - 37 |
| T63817 | 5B22 | 8 | 70 - 3 | T77814 | 5F20 | 7 | 70 - 103 | T77932 | 8H8 | 20 | 125 - 39 |
| T63817 | 6F17 | 13 | 90 - 101 | T77814 | 5F20 | 8 | 70 - 103 | T77932 | 8H10 | 12 | 125 - 41 |
| T65643 | 5B22 | 7 | 70 - 3 | T77814 | 5G10 | 1 | 70 - 117 | T78313 | 4E21 | 7 | 50 - 75 |
| T65643 | 6F17 | 14 | 90 - 101 | T77857 | 4C10 | .. | 50 - 15 | T78313 | 4E23 | 6 | 50 - 77 |
| T69027 | 8C10 | 18 | 121 - 17 | T77857 | 4E14 | 2 | 50 - 68 | T78313 | 4E25 | 8 | 50 - 79 |
| T69027 | 8C12 | 8 | 121 - 19 | T77857 | 4F20 | 36 | 50 - 99 | T78313 | 4F2 | 8 | 50 - 81 |
| T70309 | 8B25 | 12 | 121 - 7 | T77857 | 4F22 | 30 | 50 - 101 | T78313 | 4F4 | 4 | 50 - 83 |
| T70694 | 1C14 | 9 | 20 - 21 | T77857 | 4G12 | 2 | 60 - 1 | T78313 | 4F6 | 7 | 50 - 85 |
| T72393 | 4E23 | 12 | 50 - 77 | T77857 | 4G18 | 13 | 60 - 7 | T78313 | 4F8 | 8 | 50 - 87 |
| T72393 | 4F2 | 19 | 50 - 81 | T77857 | 4H10 | 7 | 60 - 23 | T78313 | 4F10 | 4 | 50 - 89 |
| T72393 | 4F4 | 16 | 50 - 83 | T77857 | 4H16 | 3 | 60 - 29 | T78313 | 4F12 | 4 | 50 - 91 |
| T72393 | 4F6 | 13 | 50 - 85 | T77857 | 4H18 | 2 | 60 - 31 | T78313 | 4F20 | 29 | 50 - 99 |
| T72393 | 5C18 | 11 | 70 - 23 | T77857 | 4H20 | 11 | 60 - 33 | T78313 | 4F20 | 37 | 50 - 99 |
| T74410 | 3E2 | 12 | 40 - 59 | T77857 | 5C16 | 13 | 70 - 21 | T78313 | 4F22 | 31 | 50 - 101 |
| T74416 | 2D16 | 11 | 26 - 49 | T77857 | 5C18 | 7 | 70 - 23 | T78313 | 5G10 | 9 | 70 - 117 |
| T75984 | 5D11 | 2 | 70 - 41 | T77857 | 5C20 | 35 | 70 - 25 | T78612 | 5G10 | 7 | 70 - 117 |
| T75984 | 5E7 | 12 | 70 - 63 | T77857 | 5D4 | 3 | 70 - 33 | T78646 | 5C14 | 5 | 70 - 19 |
| T75984 | 5E9 | 12 | 70 - 65 | T77857 | 5D13 | 21 | 70 - 43 | T78707 | 4F25 | 11 | 50 - 104 |
| T75984 | 5E11 | 12 | 70 - 67 | T77857 | 5D15 | 23 | 70 - 45 | T78715 | 4F16 | 1 | 50 - 95 |
| T75984 | 5E12 | 12 | 70 - 68 | T77857 | 5D17 | 16 | 70 - 47 | T78716 | 8H8 | 4 | 125 - 39 |
| T75984 | 5E14 | 12 | 70 - 71 | T77857 | 5F22 | 1 | 70 - 105 | T78716 | 8H10 | 4 | 125 - 41 |
| T75984 | 5E16 | 12 | 70 - 73 | T77857 | 5F24 | 13 | 70 - 107 | T78784 | 5G10 | 8 | 70 - 117 |
| T75984 | 9E12 | 2 | 160 - 3 | T77857 | 5G2 | 13 | 70 - 109 | T79098 | 4D2 | 4 | 50 - 31 |
| T76719 | 2F18 | 28 | 30 - 3 | T77857 | 5G10 | 3 | 70 - 117 | T80306 | 5F24 | 1 | 70 - 107 |
| T76719 | 8D18 | 19 | 121 - 49 | T77857 | 5G13 | 2 | 70 - 120 | T80306 | 8H8 | 23 | 125 - 39 |
| T76836 | 4C10 | 10 | 50 - 15 | T77857 | 8H6 | 4 | 125 - 37 | T80393 | 3H2 | 1 | 40 - 133 |
| T76938 | 4F14 | 1 | 50 - 93 | T77857 | 8H8 | 5 | 125 - 39 | T80394 | 3H2 | 1 | 40 - 133 |
| T76938 | 4F14 | 30 | 50 - 93 | T77857 | 8H10 | 5 | 125 - 41 | T80906 | 5C14 | 11 | 70 - 19 |
| T76938 | 4F16 | 2 | 50 - 95 | T77857 | 9E11 | 2 | 160 - 2 | T81029 | 2F22 | 16 | 30 - 7 |
| T76938 | 4H10 | 10 | 60 - 23 | T77858 | 4E21 | 3 | 50 - 75 | T81029 | 4F20 | 6 | 50 - 99 |
| T76938 | 5C18 | 25 | 70 - 23 | T77858 | 4E23 | 3 | 50 - 77 | T81029 | 4F22 | 6 | 50 - 101 |
| T76938 | 5D24 | 17 | 70 - 55 | T77858 | 4E25 | 7 | 50 - 79 | T81029 | 4H20 | 2 | 60 - 33 |
| T76938 | 5D24 | 22 | 70 - 55 | T77858 | 4F2 | 7 | 50 - 81 | T81029 | 4H22 | 19 | 60 - 35 |
| T76938 | 5G10 | 6 | 70 - 117 | T77858 | 4F4 | 8 | 50 - 83 | T81029 | 5C7 | 4 | 70 - 12 |
| T76938 | 8H4 | 10 | 125 - 35 | T77858 | 4F6 | 3 | 50 - 85 | T81029 | 5F6 | 3 | 70 - 89 |
| T77514 | 5G8 | 24 | 70 - 115 | T77858 | 4F8 | 7 | 50 - 87 | T84409 | 1H1 | 5 | 25 - 101 |
| T77613 | 2F20 | 1 | 30 - 5 | T77858 | 4F10 | 7 | 50 - 89 | T84410 | 1H1 | 1 | 25 - 101 |
| T77613 | 2F22 | 7 | 30 - 7 | T77858 | 4F12 | 7 | 50 - 91 | T84411 | 1H1 | 1 | 25 - 101 |
| T77613 | 4F20 | 4 | 50 - 99 | T77858 | 4F14 | 2 | 50 - 93 | T84412 | 1H1 | 1 | 25 - 101 |
| T77613 | 4F22 | 4 | 50 - 101 | T77858 | 4F16 | 4 | 50 - 95 | T84413 | 1H1 | 1 | 25 - 101 |
| T77613 | 4G9 | 3 | 50 - 113 | T77858 | 4F18 | 1 | 50 - 97 | T84578 | 1H1 | 1 | 25 - 101 |
| T77613 | 4G16 | 3 | 60 - 5 | T77858 | 4F20 | 1 | 50 - 99 | U10063 | 4G14 | 14 | 60 - 3 |
| T77613 | 4G18 | 4 | 60 - 7 | T77858 | 4F22 | 1 | 50 - 101 | U10063 | 8D2 | 20 | 121 - 33 |
| T77613 | 4H20 | 1 | 60 - 33 | T77858 | 4F24 | 3 | 50 - 103 | U10746 | 4C22 | 21 | 50 - 27 |
| T77613 | 4H22 | 3 | 60 - 35 | T77858 | 4F25 | 2 | 50 - 104 | U10776 | 4C20 | 13 | 50 - 25 |
| T77613 | 5C7 | 7 | 70 - 12 | T77858 | 4H10 | 3 | 60 - 23 | U10776 | 4C22 | 4 | 50 - 27 |
| T77613 | 5C10 | 2 | 70 - 15 | T77858 | 5C18 | 3 | 70 - 23 | U11647 | 4E2 | 1 | 50 - 55 |

NUMERICAL INDEX - CONTINUED

| PART NO. | GRID | KEY | PAGE | PART NO. | GRID | KEY | PAGE | PART NO. | GRID | KEY | PAGE |
|----------|------|-----|----------|----------|------|-----|----------|----------|------|-----|----------|
| U11647 | 4E9 | 1 | 50 - 63 | U40962 | 5E11 | 11 | 70 - 67 | Z60329 | 9F10 | 6 | 170 - 19 |
| U12331 | 4E19 | 10 | 50 - 73 | U40962 | 5E12 | 11 | 70 - 68 | Z60329 | 9F14 | 3 | 170 - 23 |
| U12547 | 4D12 | 23 | 50 - 41 | U40962 | 5E14 | 11 | 70 - 71 | Z60329 | 9F18 | 1 | 170 - 27 |
| U12547 | 4D22 | 23 | 50 - 51 | U40962 | 5E16 | 11 | 70 - 73 | Z60329 | 9G5 | 6 | 170 - 38 |
| U12547 | 4E12 | 12 | 50 - 66 | U41353 | 4E11 | 2 | 50 - 65 | Z60329 | 9G15 | 10 | 170 - 49 |
| U12547 | 4E13 | 12 | 50 - 67 | U42355 | 2F18 | 23 | 30 - 3 | Z60329 | 9G18 | 3 | 170 - 52 |
| U12547 | 4E14 | 11 | 50 - 68 | U42355 | 2F18 | 31 | 30 - 3 | Z60332 | 9F14 | 5 | 170 - 23 |
| U12547 | 4E21 | 1 | 50 - 75 | U42355 | 2F22 | 22 | 30 - 7 | Z60332 | 9F18 | 4 | 170 - 27 |
| U12547 | 4E23 | 1 | 50 - 77 | U42902 | 5E7 | 26 | 70 - 63 | Z60332 | 9G2 | 3 | 170 - 35 |
| U12547 | 4F4 | 6 | 50 - 83 | U46370 | 3F20 | 20 | 40 - 101 | Z60332 | 9G15 | 7 | 170 - 49 |
| U12547 | 4F6 | 1 | 50 - 85 | U46370 | 3F24 | 36 | 40 - 105 | Z60332 | 9G17 | 4 | 170 - 51 |
| U12547 | 4F10 | 5 | 50 - 89 | U46506 | 3D2 | 6 | 40 - 35 | Z60332 | 9G18 | 1 | 170 - 52 |
| U12547 | 4F12 | 5 | 50 - 91 | U46507 | 3D2 | 3 | 40 - 35 | Z63298 | 9G2 | 2 | 170 - 35 |
| U12547 | 4F14 | 19 | 50 - 93 | U46662 | 3B23 | 7 | 40 - 3 | Z63298 | 9G15 | 2 | 170 - 49 |
| U12547 | 4F16 | 11 | 50 - 95 | U46662 | 3B23 | 8 | 40 - 3 | 122SE | 4B22 | 6 | 50 - 3 |
| U12547 | 4F16 | 17 | 50 - 95 | U46662 | 3B23 | 12 | 40 - 3 | 124424 | 6G13 | 15 | 110 - 21 |
| U12547 | 4F18 | 11 | 50 - 97 | U46662 | 3B23 | 13 | 40 - 3 | 124424 | 6G17 | 11 | 110 - 25 |
| U12547 | 4F20 | 3 | 50 - 99 | U46662 | 3B23 | 19 | 40 - 3 | 32184 | 6G22 | 16 | 110 - 31 |
| U12547 | 4F22 | 3 | 50 - 101 | U46662 | 3C12 | 6 | 40 - 19 | 32243 | 6F21 | 2 | 110 - 3 |
| U12547 | 4F24 | 4 | 50 - 103 | U46662 | 3C14 | 6 | 40 - 21 | 32246 | 4D6 | 20 | 50 - 35 |
| U12547 | 4G12 | 11 | 60 - 1 | U46662 | 3D10 | 10 | 40 - 43 | 32246 | 4D20 | 20 | 50 - 49 |
| U12547 | 4H10 | 1 | 60 - 23 | U46662 | 3D18 | 19 | 40 - 51 | 400R | 8C2 | 12 | 121 - 9 |
| U12547 | 5D21 | 2 | 70 - 51 | U46662 | 3F20 | 10 | 40 - 101 | | | | |
| U12547 | 5F22 | 20 | 70 - 105 | U46662 | 3F24 | 37 | 40 - 105 | | | | |
| U12547 | 5F24 | 15 | 70 - 107 | U46662 | 3G3 | 7 | 40 - 109 | | | | |
| U12547 | 5G2 | 15 | 70 - 109 | U46663 | 3C12 | 7 | 40 - 19 | | | | |
| U12547 | 5G8 | 29 | 70 - 115 | U46663 | 3C14 | 7 | 40 - 21 | | | | |
| U12547 | 5G13 | 11 | 70 - 120 | U46663 | 3F24 | 38 | 40 - 105 | | | | |
| U13639 | 1C12 | 6 | 20 - 19 | U46664 | 3F22 | 47 | 40 - 103 | | | | |
| U13639 | 1D11 | 5 | 25 - 5 | U46664 | 3F24 | 39 | 40 - 105 | | | | |
| U13639 | 1D13 | 5 | 25 - 7 | W13288 | 5F10 | 2 | 70 - 93 | | | | |
| U13639 | 1G19 | 28 | 25 - 93 | W15277 | 4H5 | 7 | 60 - 18 | | | | |
| U13639 | 2C2 | 5 | 26 - 5 | W23690 | 4D6 | 21 | 50 - 35 | | | | |
| U13639 | 2D12 | 6 | 26 - 44 | W23690 | 4D20 | 21 | 50 - 49 | | | | |
| U13639 | 2F8 | 24 | 26 - 87 | W38051 | 3D22 | 1 | 40 - 55 | | | | |
| U14273 | 6F23 | 33 | 110 - 5 | W39621 | 6H4 | 33 | 110 - 37 | | | | |
| U14273 | 8C14 | 6 | 121 - 21 | W39621 | 9C13 | 3 | 130 - 21 | | | | |
| U14273 | 8C16 | 6 | 121 - 23 | Y3082BN | 5H16 | 4 | 80 - 27 | | | | |
| U14273 | 8D16 | 25 | 121 - 47 | Z12964 | 4C24 | 16 | 50 - 29 | | | | |
| U15415 | 4D4 | 15 | 50 - 33 | Z24604 | 9D19 | 24 | 130 - 51 | | | | |
| U15415 | 4D12 | 30 | 50 - 41 | Z33404 | 8G10 | 36 | 125 - 17 | | | | |
| U15415 | 4D18 | 15 | 50 - 47 | Z33404 | 9E2 | 6 | 130 - 59 | | | | |
| U15415 | 4D22 | 30 | 50 - 51 | Z35149 | 6G13 | 12 | 110 - 21 | | | | |
| U15980 | 9E12 | 13 | 160 - 3 | Z36140 | 9B20 | 7 | 130 - 3 | | | | |
| U17409 | 1E20 | 6 | 25 - 40 | Z38380 | 9B20 | 7 | 130 - 3 | | | | |
| U17409 | 1E21 | 6 | 25 - 41 | Z38380 | 9B20 | 33A | 130 - 3 | | | | |
| U17409 | 1E23 | 8 | 25 - 43 | Z39238 | 5G21 | 29 | 80 - 7 | | | | |
| U17409 | 1E23 | 12 | 25 - 43 | Z39386 | 5H12 | 25 | 80 - 23 | | | | |
| U17409 | 2D5 | 6 | 26 - 35 | Z5086H | 8F23 | 38 | 125 - 5 | | | | |
| U17409 | 2F8 | 30 | 26 - 87 | Z56747 | 5D9 | 10 | 70 - 39 | | | | |
| U17409 | 4D7 | 4 | 50 - 36 | Z56747 | 6G7 | 30 | 110 - 15 | | | | |
| U17409 | 4D8 | 4 | 50 - 37 | Z59868 | 9F10 | 5 | 170 - 19 | | | | |
| U17409 | 4D13 | 12 | 50 - 42 | Z59868 | 9F14 | 4 | 170 - 23 | | | | |
| U17409 | 4D14 | 4 | 50 - 43 | Z59868 | 9F18 | 2 | 170 - 27 | | | | |
| U17409 | 4D15 | 4 | 50 - 44 | Z59868 | 9G5 | 5 | 170 - 38 | | | | |
| U17409 | 4D16 | 12 | 50 - 45 | Z59868 | 9G15 | 9 | 170 - 49 | | | | |
| U40729 | 4D13 | 7 | 50 - 42 | Z59868 | 9G18 | 4 | 170 - 52 | | | | |
| U40729 | 4D16 | 7 | 50 - 45 | Z59872 | 9F22 | 5 | 170 - 31 | | | | |
| U40745 | 5E11 | 20 | 70 - 67 | Z59872 | 9G15 | 4 | 170 - 49 | | | | |
| U40745 | 5E12 | 20 | 70 - 68 | Z60250 | 3B25 | 26 | 40 - 5 | | | | |
| U40745 | 5E14 | 20 | 70 - 71 | Z60326 | 9F10 | 4 | 170 - 19 | | | | |
| U40745 | 5E16 | 20 | 70 - 73 | Z60326 | 9F18 | 3 | 170 - 27 | | | | |
| U40750 | 1E23 | 22 | 25 - 43 | Z60326 | 9G5 | 4 | 170 - 38 | | | | |
| U40962 | 5E3 | 11 | 70 - 58 | Z60326 | 9G18 | 5 | 170 - 52 | | | | |
| U40962 | 5E4 | 8 | 70 - 59 | Z60327 | 9F14 | 1 | 170 - 23 | | | | |
| U40962 | 5E7 | 11 | 70 - 63 | Z60327 | 9G15 | 8 | 170 - 49 | | | | |
| U40962 | 5E9 | 11 | 70 - 65 | Z60327 | 9G17 | 1 | 170 - 51 | | | | |